


MILLENNIA
P&S Guide Update
October 2018

**IN THIS UPDATE: New Blum Hinges & Guides,
Discontinued Items and Maintenance Edits**

NEW	<p>New Pages</p> <p>G-1, G-2, W-88, B-48, V-30, A-32, A-33</p> <p>2, G-1, G-2, B-14, V-16, V-24, T-15, A-34, A-35</p> <p>G-18</p> <p>G-20 - G-131</p>	<p>New: Blum Hinges Blum concealed hinges are now standard, concealed inMotion hinges have a \$29 up-charge</p> <p>New: Blum Guides Blum InMotion guides are now standard</p> <p>New Horizontal Grain Info Page</p> <p>New Door Pages</p>	
DISCONTINUED	<p>New Pages</p> <p>G-5 - G-10, G-20 - G-131, W-48, W-50, W-52, W-54, W-74, W-94, W-96, W-97, W-98, B-27, A-25, A-28, A-30, A-32, A-33, M-8 - M-14</p> <p>2, G-1, G-2, A-26, A-27</p> <p>G-2, G-13, G-19, WB-2, A-8 - A-10, A-22</p>	<p>Discontinued Doors: Belvedere, Dakota, Limoges, Montpelier, Nantucket, Westland, Westland Solid, and Winterhaven</p> <p>Center styles: except Shaker</p> <p>Arched styles: Crown, Cathedral, Shoulder and Tudor (Roman stays)</p> <p>Stainless Steel doors: SO1, SO1G, SO2, SO2G</p> <p>Discontinued Black Melamine Interior</p> <p>Discontinued Edge Detail T</p>	

DISCONTINUED	<p>New Pages</p> <p>2, G-1, G-2, B-14, V-16, V-24, T-15, A-34, A-35, M-15, Index-7</p> <p>G-12, G-15, G-16, G-17</p> <p>B-20, B-21, B-44, B-48, B-49, V-30, V-31</p> <p>A-9</p> <p>A-35</p>	<p>Discontinued Full-Extension Guides: Side Mount Full-Extension Guides (FEG-Z, FEGW and FEGB) have been discontinued</p> <p>Discontinued Spattering: Finish enhancement spattering has been discontinued</p> <p>Discontinued Cabinets:</p> <ul style="list-style-type: none"> • Mid Base Drop-In (MBD_) • Base End Angle (BEA24) • Base End Cabinet (BEC24) • Base Angled Back (BAB24) • Base Outside Corner (BOC18X24) • Vanity End Angle (VEA21, VMEA21, VGEA21) • Vanity End Cabinet (VEC21, VMEC21, VGEC21) • Vanity Angle Back (VAB21, VMAB21, VGAB21) <p>Discontinued Light Valance: Light Valances 2-1/2" discontinued (LV2.5X96_ and LV2.5X120_)</p> <p>Discontinued Hardware: ROPRO2, FEGRO-SPCR and FFCLIP4</p>
GENERAL	<p>New Pages</p> <p>G-12</p> <p>G-11</p>	<p>Maintenance Edit: Panel notes for paint colors updated</p> <p>Maintenance Edit: Exotic Wood Veneers available in Natural stain or unfinished</p>

<p style="writing-mode: vertical-rl; transform: rotate(180deg);">ACCESSORIES</p>	<p>New Pages</p> <p>A-1, A-3, A-12 - A-16</p> <p>A-2</p> <p>A-18</p> <p>A-24</p>	<p>Maintenance Edit: Removed Brown Wood Inc. products from P&SG. Updated BWI catalog and pricing is available in CC Business.</p> <p>Maintenance Edit: CRWN-ACX120 nomenclature fixed</p> <p>Maintenance Edit: Updated notes on Toeboard Front and Standard Fillers</p> <p>Maintenance Edit: Added shelf modifier for double-entry</p>
<p style="writing-mode: vertical-rl; transform: rotate(180deg);">MISCELLANEOUS</p>	<p>New Pages</p> <p>G-4, A-26, A-27</p> <p>W-40, B-22, B-23, T-32 - T-39, M-13</p> <p>B-36</p>	<p>Maintenance Edit: Bamboo is not available on 3/8" thick Custom Panels</p> <p>Maintenance Edit: Clarification on oven cutout notes</p> <p>Maintenance Edit: Left or right orientation required for Base Square Corner - Chrome Optimizer</p>

>> This page intentionally blank <<

Millennia

Price & Specifications



Your Style With Our Solutions Creates Home

CANYON CREEK
Cabinet Company

Common Abbreviations

1D	1 Drawer	L	Left
1DR	1 Door	LPL	Low-Pressure Laminate
2D	2 Drawer	LS	Lidstay or Lazy Susan
2DR	2 Door	M&T	Mortise & Tenon
3D	3 Drawer	MB	Mid Base (31-1/2" H)
4D	4 Drawer	MDF	Medium Density Fiberboard
AG	Appliance Garage	MGD	Mullion Grid Door (modification)
AP	Appliance Panel	NPL	NAUF Plywood (No Added Urea Formaldehyde; Greenlam only)
B	Base (34-1/2" H)	P	Pantry (tall cabinet)
BB	Breadboard	PBD	Particleboard
BRO	Base Roll-out	PGG	Powder Coated Grey (drawer box option)
CAG	Corner Appliance Garage	PLY	Plywood
CC	Clipped Corner (modification)	Plycore	Plywood center, MDF each side, Veneer face
CC1	Custom Cutout (single opening)	R	Right
CC2	Custom Cutout (middle opening or bottom w/ 2 openings)	RFG	Rout for Glass (modification)
CC3	Custom Cutout (bottom opening w/ 3 openings)	RO	Roll-out (IRO to install)
CP	Custom Panel (1/32", 1/4", 3/8", 1/2" or 3/4" thick)	SPR	Special Product Request
D	Depth	SQ	Square or Suzy Q
DD	Double Door (24" wide cabinets)	SS	Super Susan or Stainless Steel
DFMD	Drawer Front Matches Door	SSG	Stainless Steel (drawer box option)
DFOS	Drawer Front Only Sample	SWD	Solid Wood Drawer
DH	Decorative Hardware	T	Tall cabinet
DOS	Door Only Sample	TK	Toekick
DWR	Drawer	U	Utility (tall cabinet)
EP	End Panel	UMFEG-IM	Under Mount Full-Extension Drawer Guides w/inMotion
FB	Full Base (no drawers)	UOV	Universal Oven (tall cabinet)
FED	Finished End Door	V	Vanity (29-1/4" H)
FFB	Finished Furniture Back	VB	Vertical Bifold
FFDRS	Face Frame & Door Sample	VG	Vanity Grand (34-1/2" H)
FFE	Finished Furniture End	VL	Vertical Lift
FMI	Finish to Match Interior	VM	Vanity Mid (31-1/2" H)
FP	Finished Panel (3/4" thick)	W	Wall cabinet or Width
FV	Full Vanity (no drawers)	WB	Wall Bed
GM	Grey Melamine	WGL	Woodgrain Laminate
H	Height	WHTV	White Vinyl
HPL	High-Pressure Laminate	WS	Wall Storage cabinet
HWDWR	Hardwood Dovetail (drawers and roll-outs)	<	Less than
I	Install cabinet accessory (Example: IRO=Install Roll-out)	>	Greater than
IFE	Integral Finished End	≥	Equal to or greater than
IM	inMotion		

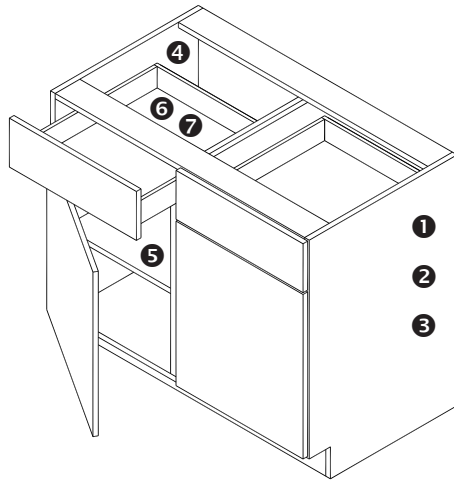
Please see cabinet specifications for individual product nomenclature

Canyon Creek Cabinet Company reserves the right to change the design, specifications or material presented in this book without notice

Table of Contents

Welcome to Canyon Creek Cabinet Company	
Frameless Cabinet Construction	G-1
Cabinet, Door and Drawer Options/Notes	G-2
Cabinet Box Interior/Exterior	G-2
General Wood Species Characteristics	G-3 – G-4
Door Style Quick Selection Guides	G-5 – G-10
Stain & Paint Colors by Wood Species Finish Notes	G-11 – G-12
Finish Enhancements and Options	G-13 – G-17
Horizontal Grain Rules	G-18
Edge Details	G-19
Wood Doors	G-20 – G-92
Slab Wood Doors	G-93 - G-107
Thermofoil Doors	G-108 – G-115
Thermo Structured Surface (TSS) Doors	G-116 – G-119
HG Foil and Acrylic Doors	G-120 – G-123
Super Matte Foil Doors	G-124 – G-126
Laminate Doors	G-127 – G-128
Greenlam Doors	G-129 – G-130
Sample Doors & Drawer Fronts	G-131
Wall Cabinets	W Section
Base Cabinets	B Section
Vanity Cabinets	V Section
Tall Cabinets, Wall Beds and Wardrobe Storage	T Section
Accessories	A Section
Modifications	M Section
Decorative Hardware (See Framed Accessories Section)	DH Section
Index / Nomenclature & 20-20 Guide	Index
Forms & Ordering Information	Forms Section
Printed in USA	Copyright 2018

Frameless Cabinet Specifications



1 Cabinet Box	
PBD	3/4" particleboard
PLY	3/4" plywood
NPL	3/4" NAUF plywood (No Added Urea Formaldehyde; Greenlam only)
3/4" thick top, bottom, sides, toekicks & spreaders	
1/2" thick fully captured back with 1/2" thick concealed hanging rail	
Wood dowel and glue joinery	
5mm adjustable shelf holes	
BOX ONLY CABINETS (Price Point M0)	
All cabinet components except doors, drawer fronts and hinges. Ends are pre-drilled for hinges.	
2 Edge Tape	
Edge tape on components flush with cabinet face matches door face (Ex. fixed shelves)	
Edge tape on components recessed from cabinet face matches cabinet interior (Ex. adjustable shelves)	
Wood	0.5mm thick, same species/color as door face
LPL & HPL	0.5mm thick PVC, compatible with door face
Foil styles	0.5mm, matches foil on face of door
TSS	1mm thick ABS, matches door face
Greenlam	0.5mm thick, compatible with door face

3 Exterior		
Standard exterior is unfinished		
4 Interior Finish		
PBD	WHTV White Vinyl	
	WGL Woodgrain Laminate	
	GM Grey Melamine	
PLY	WHTV White Vinyl	
	WGL Woodgrain Laminate	
NPL	WGL Woodgrain Laminate	
5 Adjustable Shelves		
PBD	3/4" particleboard	Full depth
PLY	3/4" plywood	
Adjust in 1-1/4" increments		
Clear plastic locking shelf clips		
6 Hinges		
Doors under 36" H will have two hinges		
Doors over 36" H will have three hinges		
HINGE OPTIONS		
Concealed	Blum, 110°, 6-way adjustable, 1-piece, self-closing	
Concealed-IM	Blum, 110°, 6-way adjustable, 1-piece, with inMotion soft-close feature	

Door and Drawer Front Reveals		
1/16" between door and/or drawer edge and side of cabinet		
1/8" horizontally or vertically between doors and/or drawer fronts		
1/8" between door or drawer front and top or bottom of cabinet		
7 Drawers and Roll-outs		
DRAWER BOXES		
SWD	1/2" solid wood dovetail	
HWDWR	5/8" hardwood dovetail	
1/4" captive bottom in front and sides		
Rabbeted joint on boxes less than 5" W		
METAL DRAWERS		
PG	Powder coated grey	Metal sides & rails with 5/8" thick grey melamine bottom & back
SS	Stainless steel	
ROLL-OUTS		
RO	5/8" hardwood dovetail or metal in PG or SS	
Wood roll-outs available loose or installed		
Metal roll-outs available installed only		
DRAWER GUIDES		
UMFEG-IM	Blum Under Mount Full-Extension with inMotion soft-close	
Load capacity up to 90 lbs. (includes weight of drawer and drawer front)		

Cabinet, Door and Drawer Options/Notes & Pricing

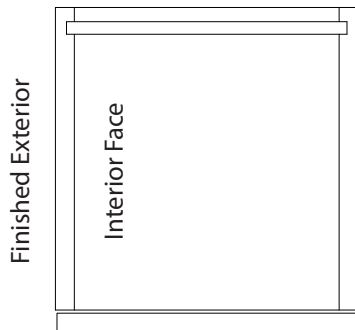
Cabinet Box (MSRP/cabinet)				Door Options		Drawer Box Options					
\$0	PBD	PARTICLEBOARD		DOOR EDGE DETAILS		BOX MATERIAL (MSRP/drawer)					
	\$0	WGL	Woodgrain Laminate	\$0	A, B, G, H, L, M, N, S, Standard	\$0	SWD	1/2" solid wood			
	\$0	WHTV	White Vinyl	HINGE SELECTIONS (MSRP/door)		\$102	HWDWR	5/8" hardwood			
	\$76	GM	Grey Melamine	\$0	Concealed	\$339	PGG	Powder coated grey steel			
GM Note	Closest HPL match: Wilsonart's D381-60 Fashion Grey			\$29	Concealed-IM	\$466	SSG	Stainless steel			
\$187	PLY	PLYWOOD		Concealed-IM with inMotion soft-close not available on the following cabinets: WCC, WCCS, FBCC, FBCC_LS, FBCC_RC, FBCC_SS, LS, VB, VL							
	\$0	WGL	Woodgrain Laminate								
	\$0	WHTV	White Vinyl								
PLY Note	Plywood box required for Sapele & Black Walnut. Standard up-charges apply.			Metal Drawers: See pg M-16 for details and specifications							
\$297	NPL	NAUF PLYWOOD		GUIDES							
	\$0	WGL	Woodgrain Laminate	<table border="1"> <tr> <td>\$0</td> <td>UMFEG-IM</td> <td>Blum Under Mount Full-Extension with inMotion soft-close</td> </tr> </table>					\$0	UMFEG-IM	Blum Under Mount Full-Extension with inMotion soft-close
\$0	UMFEG-IM	Blum Under Mount Full-Extension with inMotion soft-close									
NPL Note	Greenlam only (pg G-129)										

Cabinet Interior With Exterior Finish Options

- This chart details how the interior face (opposite side of finished exterior) will be finished when IFE, IFTOP or IFBOT finish options are applied
- LPL is MD with all global interior option

MD = Match Door (face)

Top View



Door

Exterior	Global Cabinet Interior Option	Interior Face
Black Walnut Cherry Hickory Maple Red Oak Sapele • Black Walnut & Sapele available in plywood only • FMI-BIB not available with Sapele	WHTV	WHTV
	WGL	WGL
	FMI	MD
	FMI-BIB	MD
	GREY	MD
Alder Bamboo Beech VG Fir Rift White Oak • FMI-BIB not available with VG Fir	WHTV	MD
	WGL PBD Box	MD
	WGL PLY Box	WGL
	FMI	MD
	FMI-BIB	MD
	GREY	MD
Exotic Wood Veneer SM Foil Thermofoil Greenlam HG Acrylic HG Foil HPL Thermo Structured (TSS) • FMI-BIB not available • HPL will have complementary interior face when ordering WHTV or WGL	WHTV	WHTV
	WGL	WGL
	FMI	MD
	GREY	GREY

Wood Species - General Characteristics

Wood components used in cabinetry are a product of nature and include a variety of species with various densities, colors and grain patterns. Color variation within a wood species is influenced by a number of factors such as moisture and mineral content of the soil, exposure to sunlight and genetic makeup. The tree diameter and type of cut determines growth ring size and orientation, which in turn affects the grain pattern and color.

A range of grain patterns and colors may appear on the same panel, and adjacent door and drawer fronts may not match each other. These are natural characteristics of wood and are not considered a defect.

Rustic Woods - Rustic Alder, Rustic Beech, Rustic Hickory & Rustic Maple

No single door or front perfectly matches another. The look is created by a blend of cabinets, each with its own unique characteristics. Creating this overall appearance on a single sample is not possible, so we recommend viewing as large a sampling as possible.

- Presence of Rustic characteristics cannot be guaranteed on each piece, or as part of every cabinet. Rustic product contains natural attributes of the wood species, so quantity, size, placement, and color of characteristics will vary.
- Characteristics represented: mineral streaks, burlled grains, natural color variations, grain variations, naturally occurring cracks, grain roughness and knots.

- Open knots (up to 1/2") are acceptable, but they must be structurally sound, and may not have sharp edges that can create a hazard for end user.
- Individual characteristics may not be specified on an order, and their consistency (or lack of) is not considered cause for replacement. Doors, drawer fronts, Finished Furniture Ends, Finished Furniture Backs and Panel Ends are the only components that will be Rustic.
- All veneer panels and mouldings will be manufactured using clear material. Cabinet accessories and components of 3/4" sheet-stock will be produced using clear material. (Examples: letter organizers, end shelf cabinets, range hoods, valances, and finished interiors.)

Maple (MAP)

A stiff, strong, heavy wood. **Grain patterns:** tight and uniform with a smooth surface. **Characteristics:** burl grain, pin knots, heartwood stains, mineral streaks, tiger stripes, caramelizing. **Color:** nearly white to yellow, pink, light purple and slightly reddish brown. **Note:** Natural resins cause Maple to turn yellow or amber over time. Exposure to sun or natural light speeds up this process. (More obvious with light-colored stains or clear finishes.)

Cherry (CHE)

Moderate in hardness, weight and strength. **Grain patterns:** fine to medium, with a relatively smooth surface. **Characteristics:** mineral streaking, pin knots, gum spots, sapwood. **Color:** off-white to light red to dark reddish brown. Greenish hue may be seen when finished Natural. **Note:** Exposure to sun or natural light causes Cherry to darken. Color changes over time can be dramatic, and will be enhanced with light or clear finishes.

Alder (ALD)

Moderately light, somewhat soft hardwood grown primarily in the Northwest. **Grain patterns:** minimal, with a smooth surface. **Characteristics:** pin knots, grain "fuzz", mineral streaks. **Color:** very white to tan and pale pinkish brown. Clear, light stain colors accentuate differences.

Beech (BCH)

Strong hardwood with excellent durability. **Grain patterns:** "closed." **Characteristics:** small flecks, mineral streaks. **Color:** light tan to light brown. Darker stains tend to subdue flecks, though grain patterns may be more apparent. **Note:** Pre-drilling recommended before hand-nailing or inserting screws.

Hickory (HIC)

Very heavy, hard and dense. **Grain patterns:** bold, prominent and irregular. **Color:** extreme variations (often in a single board) from nearly white to dark brown. **Characteristics:** burls, water stains, mineral streaks, sound knots. **Note:** Pre-drilling recommended before hand-nailing or inserting screws.

Red Oak (OAK)

Dense, heavy wood, very hard and stiff. **Grain patterns:** open and prominent. **Characteristics:** mineral streaks, mineral stains, sap stain, ray flecks, pin or closed (sound) knots. **Color:** light tan to grey, dark brown, and pink to medium red-brown.

Rift White Oak (RWO)

Very strong, dense hardwood. **Grain patterns:** straight, vertical. **Color:** very light to light grey, to dark brown. **Characteristics:** small, tight knots. **Note:** Rift White Oak should show a minimum of the "flake" effect common in Red Oak.

When WHTV-PLY:

Finished surfaces will have PBD substrate even when PLY box material is selected, and the result may be a box constructed with both PBD and PLY. When PLY box is selected and interiors have any FMI option applied, PLY box up-charge will not be applied to cabinet.

Vertical Grain Fir (VGF)

Fairly light and soft (dents easily). **Grain patterns:** dense, vertical. **Characteristics:** pin knots, dry pitch pockets, vine marks, mineral streaks. **Color:** clear and light with rosy tint that darkens toward heartwood. **Note:** Reddens over time. Exposure to sun or natural light speeds up this process.

All woods change color over time. The amount of change varies depending on wood species, type of cut, exposure to natural light, and amount and color of stain pigment used. While color samples give a general idea of the appearance of a specific stain color and wood species combination, it is impossible to represent all grain patterns, wood and stain colors, and natural variations that will occur. Because of this, we recommend viewing the largest sample possible before final species and color selection.

Wood Species - General Characteristics

Quarter Sawn Bamboo

Very high strength to weight ratio. **Grain patterns:** Quarter-sawn (vertical), uniform and ranging medium to fine. **Characteristics:** joints between stalk sections and plant nodes are visible. Bamboo does not have any sapwood, heartwood or growth rings.

Color (Non-Carbonized-QSB): In its natural state Bamboo is very light, pale yellow (like straw) that will slightly golden or darken over time. **(Carbonized-CQB):** Rich amber or dark caramel due to the carbonization process which heats the sugars within the wood.

Finishes/Surfaces

- Carbonized and non-carbonized bamboo follows the same specifications
- Carbonized available in Natural stain & Unfinished only
- Finished ends IFE, bottoms IFBOT and tops IFTOP will match door on both sides; will not match cabinet interior, except when interior is WGL
- Unless otherwise specified, finished wood accessories will not be solid Bamboo—substrate will follow existing rules and match cabinet box

Info/Exceptions

Cabinet box: PBD or PLY construction (standard up-charges apply)

Finish Enhancements are NOT Available

Cabinets NOT available

Cabinets w/ Tambour door (Appliance garage)

Base Islands, Base Island Ends, Plate Display & Wine Rack (Lattice)

Accessories NOT Available

Any item over 96"	Mouldings: BN, BNB, BSHM, BSP, CAPM, CB, OGD, DM, HRM, HSB, ICM, LV_BN, LV_RND, MP, OCM, PB3x3, PB3x3R, PNLMLD, PR, RMS, RML, RM96,
All CRWN_ moulding (except CRWN-CB & CRWN-CV are allowed)	
FP48X96 panels	
Custom Panels 3/8" thick	TKVs, TKI-RAD, FOOT-(any), LEG(any)
Beaded or Fluted Panels, Fillers etc..	AVAL, CVAL, TKVAL, BRACK-S
SE_ (unless H, H2, S or S2 edge)	

Modifications NOT Available: FMI-BIB or BIB

Black Walnut

Very durable hardwood with a rich smooth grain. **Characteristics:** Grain patterns range from straight to irregular, with a natural luster. **Color:** Ranges from dark chocolate to lighter browns and blond or white sapwood.

Finishes/Surfaces

- For a natural look choose Toffee stain, which minimizes contrast between dark and light color variations
- Finished ends, bottoms and tops will match Walnut door one side and match global interior option on other side

Info/Exceptions

Cabinet box: Plywood construction only (standard up-charges apply)

Finish Enhancements NOT Available

Sand-Through to Color	Burnished
-----------------------	-----------

Cabinets NOT Available

Cabinets w/ Tambour door (Appliance garage) - N/A

Base Islands, Base Island Ends, Plate Display cabinets - N/A

Wine Racks (Lattice) - N/A

Accessories NOT Available

Panels: PBD material, beaded or 3/8"	PB3x3, PB3x3R, OGD & DM
FVAL, TKVs, TKI-RAD, FOOT-(any)	HVCO
RMS, RML, RM96, HRM, HSB	WTF (finished wood tops over 96")

Modifications NOT Available

BIB

Sapele

African hardwood prized for its colors, grain patterns and strength.

Characteristics: interlocking, fine textured, luminous grain that frequently changes direction. When quarter-sawn, produces a "ribbon" striped pattern. **Color:** ranges from light brown to medium brown tones.

Finishes/Surfaces

- Finished ends, bottoms and tops will be Sapele veneer one side and match global interior option on other side

Info/Exceptions

Cabinet box: Plywood construction only (standard up-charges apply)

Finish Enhancements NOT Available

Sand-Through to Color	Burnished
-----------------------	-----------

Cabinet Exceptions

Cabinets w/ Tambour door (Appliance garage) - N/A

Dowels in Plate displays will be Cherry	Wine Racks (Lattice) - N/A
---	----------------------------

Accessories NOT Available

Anything over 96" in length	Panels: 3/8" or beaded
FVAL, TKVs, TKI-RAD	HVCO
RMS, RML, RM96, HRM, HSB	All Feet and Legs
PB3x3, PB3x3R, OGD & DM	WTF (finished wood tops over 96")

Modifications NOT Available

BIB

Door Style – Quick Selection Guide

Page #	Door Style	Price Point	Type		Page #	Door Style	Price Point	Type
	Box Only	M1-20%			G-38	Cortina Solid	M9	M&T
A – Acrylic					G-39	Coventry	M10	M
AM – Applied Moulding					G-95	Dover	M2	WV
F – Foil					G-96	Dover Plycore	M2	WV
LAM – Laminate					G-40	Duet	M9	M&T
M – Mitered					G-41	Duet Solid	M13	M&T
M&T – Mortise & Tenon					G-42	Emerson	M9	M&T
GLM – Greenlam					G-43	Equinox	M3	M&T
SW – Solid Wood or Bamboo Ply – BMBO					G-44	Equinox Solid	M6	M&T
TH – Thermofoil					G-121	Fahrenheit	M8	A
TSS - Thermo Structured Surface					G-45	Fairfax	M13	M
WV – Wood Veneer & Exotic Wood Veneer					G-46	Falmouth	M9	M
G-20	Aberdeen	M9	M&T		G-47	Falmouth Solid	M13	M
G-127	Alpine	M1	LAM		G-48	Galloway	M5	M
G-125	Apex	M8	F		G-49	Galloway Solid	M10	M
G-105	Avalon	M10	WV		G-50	Garrison	M15	M&T
G-21	Belmont	M9	M		G-51	Gettysburg	M13	AM
G-22	Belmont Solid	M13	M		G-52	Gettysburg Solid	M15	AM
G-23	Brentwood	M3	M&T		G-109	Glacier Bay	M4	TH
G-24	Brentwood Solid	M6	M&T		G-110	Glacier Bay Roman	M4A	TH
G-25	Brentwood Roman	M3A	M&T		G-97	Halifax	M3	WV
G-26	Brentwood Roman Solid	M6A	M&T		G-98	Halifax Plycore	M3	WV
G-27	Canterbury	M6	M&T		G-53	Hampton	M10	M
G-28	Cape Cod Solid	M13	M&T		G-99	Hana	M6	BMBO
G-29	Carlsbad	M3	M&T		G-100	Hanover	M6	WV
G-30	Carlsbad Solid	M6	M&T		G-54	Houston	M5	M
G-31	Catalina	M15	M&T		G-55	Houston Solid	M10	M
G-32	Charleston	M13	M		G-56	Kennedy	M9	M
G-33	Chatham	M9	M		G-57	Kennedy Solid	M13	M
G-34	Chatham Solid	M13	M		G-58	Kingston Solid	M15	M&T
G-35	Concord	M5	M		G-101	Lanai	M6	BMBO
G-36	Concord Solid	M10	M		G-111	Lancaster	M9	TH
G-93	Copenhagen	M6	SW		G-59	Lynden	M8	M&T
G-106	Coronado	M10	WV		G-60	Lynden Solid	M9	M&T
G-94	Corsica	M16	WV		G-126	Maestro	M8	F
G-117	Corson	M5	TSS		G-61	Monterey	M9	M&T
G-37	Cortina	M8	M&T		G-62	Monticello	M13	AM

Door Style – Quick Selection Guide

Page #	Door Style	Price Point	Type		Page #	Door Style	Price Point	Type	
G-63	Monticello Solid	M15	AM		G-90	Valley Forge Solid	M9	M&T	
G-64	Mount Vernon	M15	AM		G-91	Windsor	M6	M&T	
G-65	Newport	M10	M		G-92	Windsor Roman	M6A	M&T	
G-66	Normandy	M3	M&T		G-114	Winterset	M5	TH	
G-67	Normandy Solid	M6	M&T		G-115	Winterset Roman	M5A	TH	
G-68	Norwood	M5	M		Metal Door Modification: See page M-12 (See Modifications Section to order)				
G-69	Norwood Solid	M10	M						
G-102	Nova	M8	WV						
G-122	Palermo	M8	F						
G-119	Pinnacle	M11	TSS						
G-70	Prescott Solid	M15	M						
G-71	Quattro	M9	M&T						
G-72	Quattro Solid	M13	M&T						
G-73	Quincy	M9	M						
G-74	Quincy Solid	M13	M						
G-75	Ridgecrest	M9	M&T						
G-76	Roanoke	M9	M						
G-77	Roanoke Solid	M13	M						
G-78	Shaker	M3	M&T						
G-79	Shaker Solid	M6	M&T						
G-80	Shaker Center	M7	M&T						
G-81	Shaker Center Solid	M9	M&T						
G-82	Shalimar	M6	M&T						
G-83	Shalimar Roman	M6A	M&T						
G-123	Siena	M8	F						
G-112	Silhouette	M4	TH						
G-103	Solano	M10	WV						
G-84	Springwood	M15	AM						
G-107	Strata	M15	WV						
G-85	Stratford	M6	M&T						
G-86	Stratford Roman	M6A	M&T						
G-118	Tiburon	M5	TSS						
G-129	Towson	M8	GLM						
G-87	Trio	M9	M						
G-88	Trio Solid	M13	M						
G-113	Tuscany	M10	TH						
G-89	Valley Forge	M8	M&T						

Door Style Selection - by Wood Species

Door Style	Door Species															Drawer Fronts	
	Maple	Cherry	Alder	Beech	Hickory	Red Oak	Rift White Oak	Bamboo QSB & CQB	Rustic Maple	Rustic Alder	Rustic Beech	Rustic Hickory	Sapele*	Black Walnut*	VG Fir	Slab	DFMD
Aberdeen	✓	✓	✓	✓	✓	✓	-	-	✓	✓	✓	✓	✓	✓	-	✓	✓
Avalon	See Exotic Wood Veneer pages															✓	-
Belmont	✓	✓	✓	✓	✓	✓	-	-	-	-	-	-	-	-	-	✓	✓
Belmont Solid	✓	✓	✓	✓	✓	✓	-	-	✓	✓	✓	✓	✓	-	-	✓	✓
Brentwood	✓	✓	✓	✓	✓	✓	-	-	-	-	-	-	-	-	-	✓	✓
Brentwood Solid	✓	✓	✓	✓	✓	✓	-	-	✓	✓	✓	✓	✓	✓	-	✓	✓
Brentwood Roman	✓	✓	✓	✓	✓	✓	-	-	-	-	-	-	-	-	-	✓	✓
Brentwood Roman S.	✓	✓	✓	✓	✓	✓	-	-	✓	✓	✓	✓	✓	-	-	✓	✓
Canterbury	✓	✓	✓	✓	✓	✓	-	-	✓	✓	✓	✓	✓	✓	-	✓	✓
Cape Cod Solid	✓	✓	✓	✓	✓	✓	-	-	✓	✓	✓	✓	✓	-	-	✓	✓
Carlsbad	✓	✓	✓	✓	✓	✓	-	-	-	-	-	-	-	-	-	✓	✓
Carlsbad Solid	✓	✓	✓	✓	✓	✓	-	-	✓	✓	✓	✓	✓	✓	-	✓	✓
Catalina	✓	✓	✓	✓	✓	✓	-	-	-	-	-	-	-	-	-	✓	-
Charleston	✓	✓	✓	✓	✓	✓	-	-	✓	✓	✓	✓	✓	-	-	✓	✓
Chatham	✓	✓	✓	✓	✓	✓	-	-	-	-	-	-	-	-	-	✓	✓
Chatham Solid	✓	✓	✓	✓	✓	✓	-	-	✓	✓	✓	✓	✓	-	-	✓	✓
Concord	✓	✓	✓	✓	✓	✓	-	-	-	-	-	-	-	-	-	✓	✓
Concord Solid	✓	✓	✓	✓	✓	✓	-	-	✓	✓	✓	✓	✓	-	-	✓	✓
Copenhagen	✓	✓	✓	✓	✓	✓	-	-	-	-	-	-	✓	✓	-	✓	-
Coronado	See Exotic Wood Veneer pages															✓	-
Corsica	-	-	-	✓	-	-	✓	✓	-	-	-	-	✓	-	-	✓	-
Cortina	✓	✓	✓	✓	✓	✓	-	-	-	-	-	-	-	-	-	✓	✓
Cortina Solid	✓	✓	✓	✓	✓	✓	✓	✓	✓	✓	✓	✓	✓	✓	-	✓	✓
Coventry	✓	✓	✓	✓	✓	✓	-	-	✓	✓	✓	✓	✓	-	-	✓	✓
Dover	✓	✓	-	✓	✓	✓	✓	✓	-	-	-	-	-	-	-	✓	-
Dover Plycore	✓	✓	✓	✓	✓	✓	-	-	-	-	-	-	✓	-	-	✓	-
Duet	✓	✓	✓	✓	✓	✓	-	-	-	-	-	-	-	-	✓	✓	✓
Duet Solid	✓	✓	✓	✓	✓	✓	✓	✓	✓	✓	✓	✓	✓	-	✓	✓	✓
Emerson	✓	✓	✓	✓	✓	✓	-	-	✓	✓	✓	✓	✓	✓	-	✓	✓
Equinox	✓	✓	✓	✓	✓	✓	-	-	-	-	-	-	-	-	-	✓	✓
Equinox Solid	✓	✓	✓	✓	✓	✓	✓	✓	✓	✓	✓	✓	✓	✓	-	✓	✓
Fairfax	✓	✓	✓	✓	✓	✓	-	-	✓	✓	✓	✓	✓	-	-	✓	✓
Falmouth	✓	✓	✓	✓	✓	✓	-	-	-	-	-	-	-	-	-	✓	✓
Falmouth Solid	✓	✓	✓	✓	✓	✓	-	-	✓	✓	✓	✓	✓	-	-	✓	✓
Galloway	✓	✓	✓	✓	✓	✓	-	-	-	-	-	-	-	-	-	✓	✓

Door Style Selection - by Wood Species

Door Style	Door Species															Drawer Fronts	
	Maple	Cherry	Alder	Beech	Hickory	Red Oak	Rift White Oak	Bamboo QSB & CQB	Rustic Maple	Rustic Alder	Rustic Beech	Rustic Hickory	Sapele*	Black Walnut*	VG Fir	Slab	DFMD
Galloway Solid	✓	✓	✓	✓	✓	✓	✓	-	✓	✓	✓	✓	✓	-	-	✓	✓
Garrison	✓	✓	✓	✓	✓	✓	-	-	✓	✓	✓	✓	✓	-	✓	✓	✓
Gettysburg	✓	✓	✓	✓	✓	✓	-	-	-	-	-	-	-	-	-	✓	✓
Gettysburg Solid	✓	✓	✓	✓	✓	✓	-	-	✓	✓	✓	✓	✓	-	-	✓	✓
Halifax	✓	✓	-	✓	✓	✓	-	-	-	-	-	-	-	-	-	✓	-
Halifax Plycore	✓	✓	-	✓	✓	✓	-	-	-	-	-	-	✓	-	-	✓	-
Hampton	✓	✓	✓	✓	✓	✓	-	-	✓	✓	✓	✓	✓	-	-	✓	✓
Hana	-	-	-	-	-	-	-	✓	-	-	-	-	-	-	-	✓	-
Hanover	✓	✓	✓	✓	-	✓	✓	-	-	-	-	-	-	-	✓	✓	-
Houston	✓	✓	✓	✓	✓	✓	-	-	-	-	-	-	-	-	-	✓	✓
Houston Solid	✓	✓	✓	✓	✓	✓	-	-	✓	✓	✓	✓	✓	-	-	✓	✓
Kennedy	✓	✓	✓	✓	✓	✓	-	-	-	-	-	-	-	-	-	✓	✓
Kennedy Solid	✓	✓	✓	✓	✓	✓	✓	-	✓	✓	✓	✓	✓	-	-	✓	✓
Kingston Solid	✓	✓	✓	✓	✓	✓	-	-	✓	✓	✓	✓	✓	-	✓	✓	✓
Lanai	-	-	-	-	-	-	-	✓	-	-	-	-	-	-	-	✓	-
Lynden	✓	✓	✓	✓	✓	✓	-	-	-	-	-	-	-	-	-	✓	✓
Lynden Solid	✓	✓	✓	✓	✓	✓	✓	✓	✓	✓	✓	✓	✓	✓	-	✓	✓
Monterey	✓	✓	✓	✓	✓	✓	-	-	✓	✓	✓	✓	✓	✓	-	✓	✓
Monticello	✓	✓	✓	✓	✓	✓	-	-	-	-	-	-	-	-	-	✓	✓
Monticello Solid	✓	✓	✓	✓	✓	✓	-	-	✓	✓	✓	✓	✓	-	-	✓	✓
Mount Vernon	✓	✓	✓	✓	✓	✓	-	-	✓	✓	✓	✓	✓	-	-	✓	✓
Newport	✓	✓	✓	✓	✓	✓	-	-	✓	✓	✓	✓	✓	-	-	✓	✓
Normandy	✓	✓	✓	✓	✓	✓	-	-	-	-	-	-	-	-	-	✓	✓
Normandy Solid	✓	✓	✓	✓	✓	✓	-	✓	✓	✓	✓	✓	✓	-	-	✓	✓
Norwood	✓	✓	✓	✓	✓	✓	-	-	-	-	-	-	-	-	-	✓	✓
Norwood Solid	✓	✓	✓	✓	✓	✓	-	-	✓	✓	✓	✓	✓	-	-	✓	✓
Nova	✓	✓	-	✓	-	-	✓	✓	-	-	-	-	✓	-	✓	✓	-
Prescott Solid	✓	✓	✓	✓	✓	✓	-	-	✓	✓	✓	✓	-	-	-	✓	✓
Quattro	✓	✓	✓	✓	✓	✓	-	-	-	-	-	-	-	-	✓	✓	✓
Quattro Solid	✓	✓	✓	✓	✓	✓	✓	-	✓	✓	✓	✓	✓	-	✓	✓	✓
Quincy	✓	✓	✓	✓	✓	✓	-	-	-	-	-	-	-	-	-	✓	✓
Quincy Solid	✓	✓	✓	✓	✓	✓	✓	-	✓	✓	✓	✓	✓	-	-	✓	✓
Ridgecrest	✓	✓	✓	✓	✓	✓	-	-	✓	✓	✓	✓	✓	✓	-	✓	✓
Roanoke	✓	✓	✓	✓	✓	✓	-	-	-	-	-	-	-	-	-	✓	✓
Roanoke Solid	✓	✓	✓	✓	✓	✓	✓	-	✓	✓	✓	✓	✓	-	-	✓	✓

Door Style Selection - by Wood Species

Door Style	Door Species															Drawer Fronts	
	Maple	Cherry	Alder	Beech	Hickory	Red Oak	Rift White Oak	Bamboo QSB & CQB	Rustic Maple	Rustic Alder	Rustic Beech	Rustic Hickory	Sapele*	Black Walnut*	VG Fir	Slab	DFMD
Shaker	✓	✓	✓	✓	✓	✓	-	-	-	-	-	-	-	-	✓	✓	✓
Shaker Solid	✓	✓	✓	✓	✓	✓	✓	✓	✓	✓	✓	✓	✓	✓	✓	✓	✓
Shaker Center	✓	✓	✓	✓	✓	✓	-	-	-	-	-	-	-	-	-	✓	✓
Shaker Center Solid	✓	✓	✓	✓	✓	✓	-	-	✓	✓	✓	✓	✓	-	-	✓	✓
Shalimar	✓	✓	✓	✓	✓	✓	-	-	✓	✓	✓	✓	✓	✓	-	✓	✓
Shalimar Roman	✓	✓	✓	✓	✓	✓	-	-	✓	✓	✓	✓	✓	-	-	✓	✓
Solano	-	-	-	✓	-	-	✓	✓	-	-	-	-	✓	-	-	✓	-
Springwood	✓	✓	✓	✓	✓	✓	-	-	✓	✓	✓	✓	✓	-	-	✓	✓
Strata	See Exotic Wood Veneer pages															✓	-
Stratford	✓	✓	✓	✓	✓	✓	-	-	✓	✓	✓	✓	✓	✓	-	✓	✓
Stratford Roman	✓	✓	✓	✓	✓	✓	-	-	✓	✓	✓	✓	✓	-	-	✓	✓
Trio	✓	✓	✓	✓	✓	✓	-	-	-	-	-	-	-	-	✓	✓	✓
Trio Solid	✓	✓	✓	✓	✓	✓	✓	-	✓	✓	✓	✓	✓	-	✓	✓	✓
Valley Forge	✓	✓	✓	✓	✓	✓	-	-	-	-	-	-	-	-	✓	✓	✓
Valley Forge Solid	✓	✓	✓	✓	✓	✓	✓	✓	✓	✓	✓	✓	✓	✓	✓	✓	✓
Windsor	✓	✓	✓	✓	✓	✓	-	✓	✓	✓	✓	✓	✓	✓	-	✓	✓
Windsor Roman	✓	✓	✓	✓	✓	✓	-	-	✓	✓	✓	✓	✓	-	-	✓	✓

Door Style Selection – by Laminate, Thermofoil, Thermo Structured and Foil

Door Style	Drawer Fronts	
	Slab	DFMD
Laminate Doors		
Alpine	✓	-
Towson (Greenlam)	✓	-
Thermofoil Doors		
Glacier Bay, Roman	✓	✓
Lancaster	✓	✓
Silhouette	✓	-
Tuscany	✓	✓
Winterset, Roman	✓	✓
TSS (Thermo Structured Surface) Doors		
Corson	✓	-
Pinnacle	✓	✓
Tiburon	✓	-
HG Acrylic Doors		
Fahrenheit	✓	-
HG Foil Doors		
Palermo	✓	-
Siena	✓	-
Super Matte Foil Doors		
Apex	✓	-
Maestro	✓	✓

ALPINE: Wood cabinet components such as tambour doors, plate racks, wine rack lattices, and integral valances will be White when a White LPL is selected, and Natural Maple when Almond HPL is selected.

TOWSON: Available in nearly 40 Greenlam HPL finishes. NAF substrate is wrapped in laminate and edge banded with ABS edge tape.

THERMOFOIL: Doors are available White or Crème. Cabinet parts and wood mouldings are painted (solid) wood. Tight grain woods such as Maple are typically used. There is no up-charge for painted accessories on Thermofoil orders.

THERMO STRUCTURED SURFACE: Doors and drawer fronts have a simulated wood grain texture, on front, back and edges. Matching HPL color is used on surface of cabinets and accessories that normally match the door.

Stain & Paint Colors - by Wood Species

STAIN COLORS	Abbreviation	Maple	Cherry	Alder	Beech	Hickory	Red Oak	VG Fir ¹	Bamboo (QSB) ²	Carbonized Bamboo (CQB)	Rift White Oak	Rustic Maple	Rustic Alder, Beech, Hickory	Exotic Wood Veneer	Black Walnut	Sapele	GLOSS		
																	Standard	Matte	Lo-Luster
Caraway	CRW	0%	0%	0%	0%	0%	0%	-	-	-	0%	0%	0%	-	0%	0%	✓	✓	✓
Cayenne	CAY	0%	0%	0%	0%	0%	0%	-	-	-	0%	0%	0%	-	0%	0%	✓	✓	✓
Charcoal	CHA	0%	-	-	-	-	-	-	-	-	-	0%	-	-	-	-	✓	✓	✓
Chicory	CHI	0%	0%	0%	0%	0%	0%	-	-	-	0%	0%	0%	-	0%	0%	✓	✓	✓
Cinnamon	CIN	0%	0%	0%	0%	0%	0%	0%	-	-	0%	0%	0%	-	0%	0%	✓	✓	✓
Dune	DUN	0%	0%	0%	0%	0%	0%	0%	-	-	0%	0%	0%	-	0%	0%	✓	✓	✓
Ebony	EBY	5%	-	-	-	-	5%	-	-	-	-	5%	-	-	-	-	-	✓	✓
Espresso	ESP	0%	0%	0%	0%	0%	0%	-	-	-	0%	0%	0%	-	0%	0%	✓	✓	✓
Graphite	GRP	0%	0%	0%	0%	0%	0%	-	-	-	0%	0%	0%	-	0%	0%	✓	✓	✓
Hazelnut	HAZ	0%	0%	0%	0%	0%	0%	-	-	-	0%	0%	0%	-	0%	0%	✓	✓	✓
Honey	HON	0%	0%	0%	0%	0%	0%	0%	-	-	-	0%	0%	-	0%	0%	✓	✓	✓
Java	JAV	0%	0%	0%	0%	0%	0%	-	0%	-	0%	0%	0%	-	0%	0%	✓	✓	✓
Kona	KON	0%	0%	0%	0%	0%	0%	-	-	-	0%	0%	0%	-	0%	0%	✓	✓	✓
Natural	NAT	0%	0%	0%	0%	0%	0%	0%	0%	0%	0%	0%	0%	0%	-	0%	✓	✓	✓
Pecan	PEC	0%	0%	0%	0%	0%	0%	0%	0%	-	0%	0%	0%	-	0%	0%	✓	✓	✓
Sable	SAB	0%	0%	0%	0%	0%	0%	0%	0%	-	0%	0%	0%	-	0%	0%	✓	✓	✓
Sea Drift ³	SEA	0%	0%	0%	0%	0%	0%	-	note	-	0%	0%	0%	-	0%	-	✓	✓	✓
Sealer Only	SLO	0%	0%	0%	0%	0%	0%	0%	-	-	-	0%	0%	-	0%	-	✓	✓	✓
Shadow	SHW	0%	-	-	-	-	-	-	-	-	-	0%	-	-	-	-	✓	✓	✓
Toffee	TOF	0%	0%	0%	0%	0%	0%	0%	0%	-	0%	0%	0%	-	0%	0%	✓	✓	✓
Unfinished	UNF	0%	0%	0%	0%	0%	0%	0%	0%	0%	0%	0%	0%	0%	0%	0%	-	-	-

CURATED COLLECTION PAINTS & PICK YOUR PAINT: Maple, Red Oak and HDF⁴ only

Ash	ASP	10%	Fog	FOG	10%	Olive	OLI	10%	Pick Your Paint See Notes Below PYP 20%	All paints available in Standard, Matte or Lo-Luster gloss options
Black	BLK	10%	Frosty White	FWP	10%	Sage	SAG	10%		
Breeze	BRE	10%	Granite	GRA	10%	Sand	SND	10%		
Cardinal	CRD	10%	Icing	ICI	10%	Smoke	SMP	10%		
Chambray	CHM	10%	Ivory	IVP	10%	Snowcap	SCP	10%		
Cornsilk	CSK	10%	Mist	MST	10%	Summer Cloud	SMC	10%		
Crème	CPT	10%	Mojave	MOJ	10%	Thunder	THU	10%		
Eggshell	EGG	10%	Navy	NAV	10%	White	WPT	10%		

Exceptions		Pick Your Paint We can match most retail paint colors in our lab. To order: 1. Mail or drop off retail paint chip to CCCC, Attn: Customer Care 2. Select "Paint" in the "Door Color Stain & Paint" field of the order form 3. Include in the Notes section of order form: Manufacturer name, color name and color code. (Ex. Pick Your Paint: Sherwin Williams, Extra White, SW7006) Custom Color Match Want a color outside of our standard offerings? No problem, our color match program can meet your needs - see details on CCM Request Form.
¹ VG Fir	Matte or Lo-Luster gloss only	
² Bamboo (QSB)	Natural/Non-Carbonized in Pecan, Sable, Toffee or Unfinished only for Corsica, Dover, Nova & Solano	
³ Sea Drift	on Bamboo QSB is offered for Hana and Lanai doors only	
⁴ HDF	Copenhagen door style only	

Finish Notes

Paint Information		Sealer Only & Unfinished	
Available Species/Materials	HDF (Copenhagen), Red Oak, Maple, Maple/MDF	Sealer Only	May be selected when painting is to take place outside of our factory
Maple Doors	Center panels are MDF material		Not recommended if product is to be stained; sealer coat will prevent stain from penetrating into wood
	Panel is maple when Pre-finish, Artisan or Sanding enhancements are ordered		Available with Artisan and Distressing options
Doors Not Available Painted	Dover, Halifax, Hanover, Nova		Not available on HDF material or with post-color finish enhancements or sanding
	Copenhagen in Maple or Red Oak		
Finish Enhancements	Not available with Artisan #4	Unfinished	Products are sanded prior to shipping; additional preparation may be required due to subsequent changes in moisture content of the wood
Gloss	Available with all gloss levels		Changes in moisture content can cause warping, cracking, splitting, spotting, and other undesirable effects
Bridging And Hairline Fractures	The high solids content of paint may cause bridging and hairline fractures to appear at joints. Both occur naturally with expansion and contraction of wood and are not considered a defect.		We do not recommend the sale of "Unfinished" products as it lacks protection from changes in moisture content
			Not available on HDF material
Aging	As paint ages a slight change in color may occur, mostly during the first month, and is not considered a product defect.	WAIVED WARRANTY NOTE	Because we are not completing the finish process, we will not be liable for warranty claims involving materials supplied "Sealer Only" or "Unfinished." Customer assumes responsibility for all subsequent issues relating to the selection of "Sealer Only" or "Unfinished" product. We make no representation of warranty, either written or implied, for these items.

Gloss Levels		Gloss Notes	
Standard	Sheen level 35% +/- 5%	UV Inhibitors	All gloss levels contain UV inhibitors that reduce (not eliminate) discoloration from prolonged exposure to natural light. The presence of certain conditions (such as large windows with southern exposure, or direct exposure to the sun) will increase the intensity of ultraviolet rays and discolor the finish.
Matte	Sheen level 15% +/- 5%		
Lo-Luster	Sheen level 5%		
Sheen	Gloss level (or sheen) is determined by measuring the amount of light that reflects off a surface under prescribed conditions	Performance	Physical properties and application process remain the same for all gloss levels, there is no difference in performance between them
		Samples	Sample gloss board is available; order 3SHEENBRD

Pre-Color Finish Enhancements - Distressing & Artisan Packages

Distressing (+5%)

- Random nicks and cuts are hand-placed on the surface to create a well-used, or aged look. Amount, placement and severity of Distress marks are random and may be inconsistent from one piece to the next.
- Distress marks are usually more evident on softer woods, and those with smooth, tight grain patterns. Distress marks on veneer panels tend to be less severe than those on solid wood. Distressing is applied to all finished wood surfaces, except the back of doors and drawer fronts. Glazing will

“hang up” in Distress marks. Highlighting is not applied to flat surfaces where Distress marks are prevalent.

- **The 5% premium for Distressing is in addition to species, stain color, finish enhancement and Artisan up-charges. Applied to cabinets, accessories and modifications that are species-sensitive.**
- **Not available with Bamboo or Exotic Wood Veneers**

Artisan Packages

- Six unique combinations of hand-applied Distressing techniques simulate old world craftsmanship and vintage aging
- Available only for solid wood door styles with wood raised or recessed panels
- We recommend that Antiquing, Glazing or Patina be ordered with Artisan packages (Antiquing, Glazing and Patina price not included)
- Applied to: doors, fronts, finished end doors, finished furniture ends and backs, and appliance door panels
- Not applied to: back of doors and fronts, cabinet boxes, finished ends, finished interiors (FMI), open cabinets or shelves, panels, mouldings and other finished wood accessories
- We suggest adding standard Distressing (above) to orders with numerous open cabinets to blend Artisan and non-Artisan components

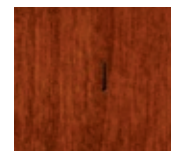
- These distressing techniques may not be individually ordered or combined into other Artisan packages without using our SPR program (however two of the following packages may be combined: #1, #2 or #3)
- Because of variable appearances created by numerous combinations of door style, species, stain color, Glazing or Patina color and Artisan options, it is strongly recommended that a sample door be viewed prior to placing an order. Samples are only a representation of characteristics that occur when a package is selected. Actual product may vary from sample, and from piece to piece.
- **The premium for Artisan Packages is in addition to species, stain color, finish enhancement and Distressing up-charges. Applied to cabinets, accessories and modifications that are species-sensitive**
- **Not available with Bamboo**
- **Note:** Artisan packages #4, #5 and #6 require a six week lead time



- Chisel Marks**
- “V” shaped marks at random angles



- Screw Marks**
- Screw edge (3/4" max.) at random angles



- Dings**
- Dents and dings of random size and shape



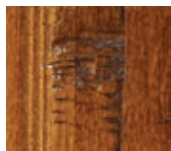
- Worm Holes**
- 3-5 small, elliptical holes to mimic the timber worm



- Worm Hole Cluster**
- Large groups of worm holes may spread across stiles and rails to panels



- Cracks**
- Simulated stress or drying cracks located at end of panel, stile or rail
 - Min. 3/door & 1-2/front



- Scarring**
- Gouged areas randomly placed across entire door
 - Min. 3/door



- Worn Edges**
- Raised corners and edges randomly sanded
 - Heavier at corners & inconsistent on edges of stiles and rails

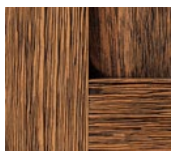


- Carved Edges**
- Random carving on interior and exterior of stiles and rails, and on exposed edges of raised panels



- Re-Sawn**
- Saw cuts run perpendicular to grain direction of each part in an inconsistent pattern

- Not available: Applied Moulding, Mitered or Veneer Doors
- Not available with paint



- Wire Brushed**
- Runs direction of wood grain
 - Applied only to face of door and drawer front, not to outside or inside of stiles and rails

- Only available on stained, unfinished or sealer doors & fronts
- Not available on Applied Moulding, Mitered or Veneer doors
- Not available on Bamboo, Rift White Oak, burnished or paints

Pre-Color Finish Enhancements - Artisan Packages



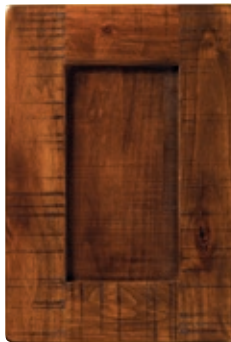
ARTISAN PACKAGE 1 Add 7%
 • Chisel Marks • Dings
 • Screw Marks



ARTISAN PACKAGE 2 Add 7%
 • Worm Holes • Cracks
 • Worn Edges



ARTISAN PACKAGE 3 Add 14%
 • Carved Edges • Dings
 • Chisel Marks • Cracks



ARTISAN PACKAGE 4 Add 15%
 • Re-Sawn • Worn Edges



ARTISAN PACKAGE 5 Add 15%
 • Carved Edges • Screw Marks
 • Chisel Marks • Worn Edges
 • Cracks • Worm Hole
 • Scarring Clusters



ARTISAN PACKAGE 6 Add 25%
 • Wire Brushed

Note: Artisan packages #4, #5 and #6 require a six week lead time

ARTISAN #4 & #6: AVAILABLE IN THE FOLLOWING SOLID DOOR STYLES ONLY:	
Brentwood Solid	Quattro Solid
Brentwood Roman Solid	Shaker Solid
Carlsbad Solid	Shaker Center Solid
Duet Solid	Valley Forge Solid
AVAILABLE EDGE DETAILS:	
H, S	

Post-Color Finish Enhancements

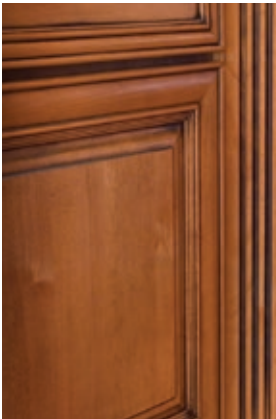
Many factors determine the final appearance of products with finish enhancements, such as door style, edge detail, wood species, and stain/finish enhancement selections. Enhancements are applied by hand, the amount, density and strength of each enhancement will vary from one piece to the next.

The wide range of product options combine with the technique of the individual applying the finish enhancement to create a look that is truly unique.

Samples are only a representation of the general characteristics that occur when a specific door style, wood species and finish enhancement(s) are chosen, and actual product may vary from the sample viewed

- **Premiums for finish enhancements are in addition to all other up-charges (Species, color and distressing)**
- **Applied to all cabinets, accessories and modifications that are species-sensitive**
- **Not available on Exotic Wood Veneer, VG Fir or Bamboo**

We strongly recommend that a sample door be viewed prior to placing an order



Glaze (+10%) – Chocolate, Licorice, Pewter, Suede or Vanilla

- Glaze material is flooded over surface, hand-wiped to create an aged or antiqued look unique to each piece, then sealed with a topcoat. Glaze “hang up” will be heavier on styles with sharp crevices in panel or edge details, and in Distress marks (if ordered).
- Woods with open grain, such as Red Oak and Hickory, will retain more Glaze material, which accentuates the grain pattern
- Styles with smooth, sloping, or rounded details, and woods with tight grains, such as Maple, Cherry, Alder and Beech retain very little to no Glaze material
- Glaze may not be visible on flat surfaces
- Glaze can be somewhat transparent, therefore we do not recommend combining Glazes with similar colored stains and paint colors
- The addition of Glaze will alter the base color, so we strongly recommend obtaining a sample in the exact style, species, base and Glaze color
- Not available with Ebony, Sealer Only or Unfinished.
- Vanilla Glaze is not available with Cornsilk, Crème, Sand and White paints



Antiqued (+10%) – Chocolate

- Muted brown brush strokes applied in direction of wood grain result in a look common with painted antiques
- May include slightly curved brush strokes, “cross-hatching” where wood grain changes direction, buildup and swirls at end of the brush stroke, and general inconsistencies in level of Antiqued material
- All finished wood surfaces, except backs of doors and fronts will be Antiqued
- **Antiqued is available on paint colors only**
- Available with Artisan and Distressing options
- Not available with any stain
- Not available with Glazing or Highlighting

Post-Color Finish Enhancements



Highlighting (+15%) – Chocolate, Licorice, Pewter, Suede or Vanilla

- Highlighting material is airbrushed directly into detailed areas of doors, fronts, and mouldings
- Highlighting does not change base stain color dramatically, as it is not applied to flat surfaces
- Areas that will not receive Highlighting are: Artisan and Distress marks, finished interiors and ends (except beaded), panels, door backs, and surfaces that do not have detail
- Highlighting can be somewhat transparent, therefore we do not recommend combining Highlighting with similar colored stains and paint colors
- Every combination of Highlighting color, base color, door style, edge detail and species looks different so we strongly recommend obtaining a sample before ordering
- Not available with Ebony, Patina, Sealer Only or Unfinished
- Vanilla Highlighting is not available with Cornsilk, Crème, Sand and White paints



Patina (+25%) – Licorice

- Glaze material is applied to the surface using a Chinese brush creating a heavy antiqued appearance
- Does not have the "hang-up" appearance like standard glaze, remains on smooth surface
- Woods with open grain, such as Red Oak and Hickory, retain more Patina, which accentuates the grain pattern
- Brush strokes are visible and follow direction of wood grain
- Applied to all finished wood surfaces, except the back of doors and fronts
- Available on all species and stains (not visible on Ebony stain or Black paint)
- Not available with sealer only or unfinished material
- Not available with standard Glaze, Highlighting or Antiquing
- The addition of Patina will alter the base color to varying degrees, so we strongly recommend obtaining a sample in the exact style, species, stain and Patina color
- Patina can be somewhat transparent, therefore we do not recommend combining with similar colored stains and paint colors
- **Note:** Patina requires a six week lead time

Post-Color Sanding

Premiums for post-color sanding are in addition to all other up-charges (Species, color and distressing). Applied to all cabinets, accessories and modifications that are species-sensitive. *Not available on Exotic Wood Veneer, VG Fir or Bamboo



Burnished (No Charge)

- Wood is lightly sanded in random areas after stain is applied, revealing a portion of natural wood color
- All finished wood surfaces, except backs of doors and drawer fronts will be Burnished
- Available with Artisan and Distressing options
- Optional for Ebony stain only
- Only with Maple, Rustic Maple and Red Oak
- Not available with Glazing or Highlighting

Sand-Thru Enhancements

- Applied to doors, drawer fronts and carved, turned and moulded wood accessories
- On doors and drawer fronts, location and intensity is random on outside corners, corners of raised panels, beads on beaded panels, inside and outside edges of stiles and rails and edges of raised panels
- Not applied to: finished ends, finished interiors (except beaded interior backs), panels, sheet goods and fillers
- May be combined with Pre-Color Distressing (Artisan Packages and Distressing) and Post-Color Finish Enhancements (Glazing, Highlighting, Antiquing or Patina)



Sand-Thru to Wood (+15%)

- Sand-Thru to Wood depicts long-term wear through the finish to natural wood due to repetitive handling or rubbing
- Available with all finishes
- Not available on laminate or veneer doors
- Not available with Sand-Thru to Color
- Not available with Artisan 6



Sand-Thru to Color (+20%)

- Sand-Thru to Color gives the appearance of the top coat of paint having worn through exposing a different color below
- Available on Maple and Red Oak only
- Top finish is paint
- Available with all paint colors
- Stain is used for "exposed colors" (see chart for availability)
- Not available on Exotic Wood Veneer, Foil, Laminate, Solid Slab, Thermofoil or Veneer door styles
- Not available with Sand-Thru to Wood

How to Order:

- Specify Paint Color
- Specify Enhancement(s)
- Specify one stain color to expose

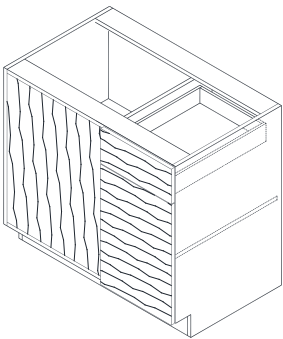
AVAILABLE STAIN COLORS

Caraway	Graphite
Cayenne	Java
Chicory	Kona
Espresso	

Horizontal Grain Rules

Doors	
≤47" H	Will be single panel door
>47" H	Two equal sized doors battened together
Corsica	Constructed with spliced face and back veneers, which may be randomly located. Splice and glue joints may be visible.

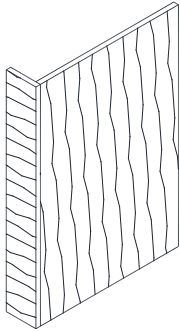
Oven panels	
≤47" H	Will be single panel door
>47" H	Two panels butted together without space in between. Edge detail of door will be on all 4 edges.

Square Corner blind panel	
Vertical grain	
	

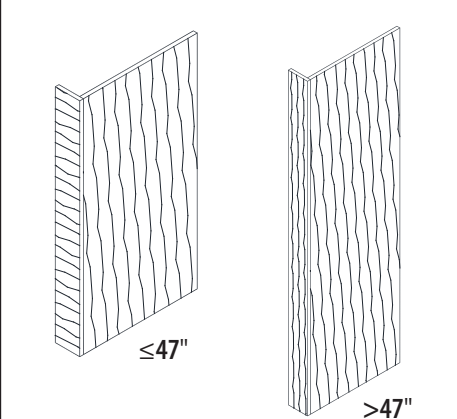
Accessories	
Will follow standard grain direction for the specific accessory (example, Toeboard Front TBF96 will run horizontal as usual)	

Scribe Filler Plant-on (SFPO)	
≤47" H	Will be single panel door
>47" H	Will be shipped in two equal sized pieces to be butted together without space in between. Edge detail of door will be on all 4 edges.

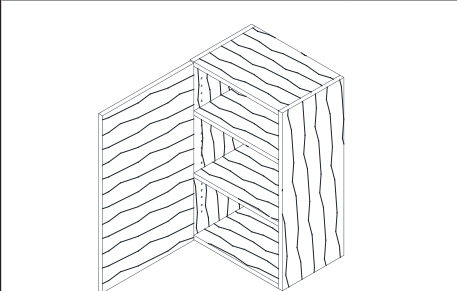
Fillers	
≤47" H	Horizontal grain
>47" H	Vertical grain

End Panels: Base (BEP), Mid (MEP) & Vanity (VEP)	
Filler face = Horizontal End panel = Vertical	
	

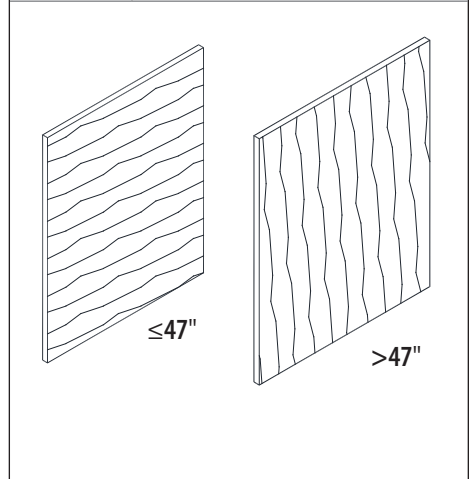
Tall End Panel (TEP)		
≤47" H	Filler Face	Horizontal
	End Panel	Vertical
>47" H	Filler Face	Vertical
	End Panel	Vertical



Cabinet finish options	
CABINET	GRAIN
FMI (Finished to Match Interior)	Vertical
IFE (Integral Finished End)	Vertical
IFBOT (Integral Bottom)	Horizontal
IFTOP (Integral Top)	Horizontal



3/4" Finished Panel (34FP)	
≤47" H	Horizontal grain
>47" H	Vertical grain

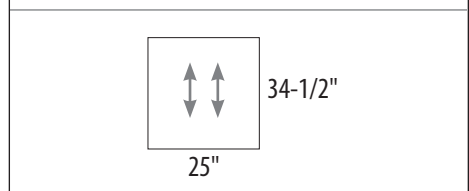


Custom Panels (CP)	
Always run vertical, if horizontal grain direction is desired, reverse width and height callouts (must stay within the minimum and maximum limits of custom panels)	

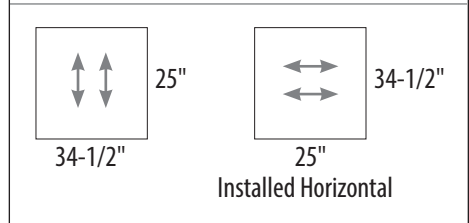
HOW TO ORDER CUSTOM PANELS:

Required size: 25" W x 34-1/2" H

Ordered size: 25Wx34.5H



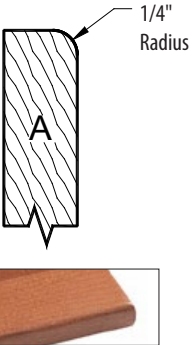
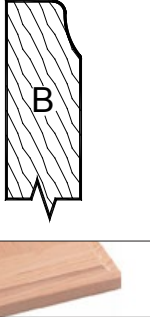
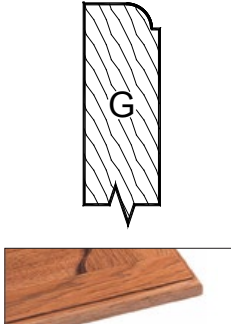
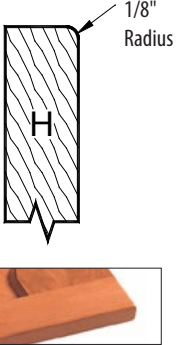
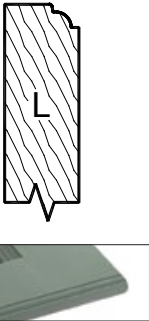
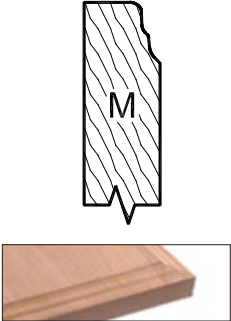
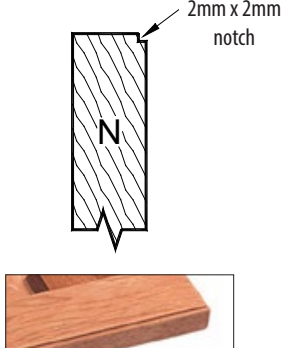
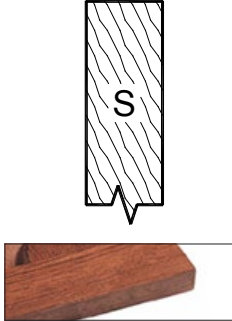
Ordered size: 34.5Wx25H




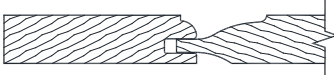



Edge Details

- Most door styles have multiple options for edge details. Refer to the individual door pages to determine edge detail availability per door style.
- Mitered and Thermofoil door styles have "Standard" edge details that are unique to each style. A profile drawing is located on the door style page.


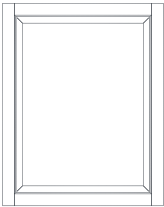
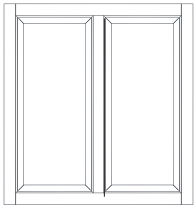
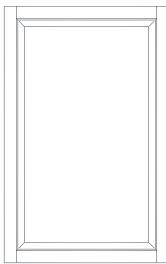
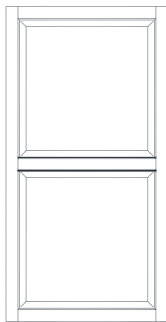
- Due to the 1/8" reveals between door and/or drawers in frameless cabinetry, pulls or knobs are required for all doors and fronts

 <p>1/4" Radius</p> <p>A</p>	 <p>B</p>	 <p>G</p>	 <p>1/8" Radius</p> <p>H</p>
 <p>L</p>	 <p>M</p>	 <p>2mm x 2mm notch</p> <p>N</p>	 <p>S</p>



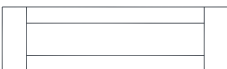
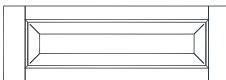
Wood Doors

Aberdeen (ABE)								
 	PRICE POINT: M9				  			
	Hinges (per door)	\$0	Concealed			Edge Details		
		\$29	Concealed IM					
	Drawer Fronts	\$0	Slab				Prep for Glass	
		\$153	DFMD					
	Wood Species	0%		Red Oak				RFG, MGD, MGDC, MGDH, MGDN, MGDX
		0%	Hickory	5%				
		0%	Beech	7%				Rustic
		4%	Alder	7%				Rustic
		10%	Maple	15%				Rustic
20%		Cherry						
30%		Sapele						
40%		Black Walnut						
				See pgs M-9 – M-11 for details				
				Paint				
		Available on Red Oak or Maple +						
		10%	Curated Paints					
				20%	Pick Your Paint			


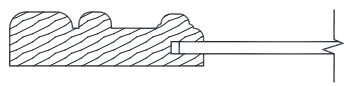

Door & panel appearance and size limits:

4" - <7" W	7" - 27" W	Center Mullion Added >27" - 36" W		8-15/16" - 52" H	Center Rail Added >52" - 73" H
					
Doors under 9" wide: stiles vary by width					


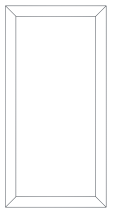
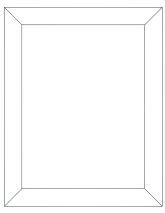
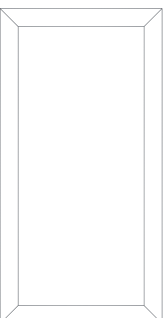
Drawer front appearance and size limits:

SLAB	Slab 2-1/2" – 18" H		Slab 2-1/2" – <4-1/4" H	5-pc 1/4" recessed panel 4-1/4" – <5-7/16" H	5-pc solid raised panel 5-7/16" – 18" H
					
Rail height will vary based on drawer front height					




Wood Doors

<p>Belmont (BMT)</p>  		<p>PRICE POINT: M9</p>		<p>Standard Edge Detail</p> 								
		<p>Hinges (per door)</p>	<p>\$0 Concealed</p> <p>\$29 Concealed IM</p>									
		<p>Drawer Fronts</p>	<p>\$0 Slab</p> <p>\$0 DFMD</p>	<p>Prep for Glass</p> <p>RFG, MGD, MGDH, MGDN</p> <p>See pgs M-9 – M-10 for details</p>								
		<p>Wood Species</p>	<p>0% Red Oak</p> <p>0% Beech</p> <p>5% Hickory</p> <p>6% Alder</p> <p>10% Maple</p> <p>20% Cherry</p>									
<table border="1"> <tr> <td>Type</td> <td>Mitered</td> </tr> <tr> <td>Center Panel</td> <td>1/4" thick</td> </tr> <tr> <td>Stile Width</td> <td>3"</td> </tr> <tr> <td>Rail Width</td> <td>3"</td> </tr> </table>	Type	Mitered	Center Panel	1/4" thick	Stile Width	3"	Rail Width	3"			<p>Paint</p> <p>Available on Red Oak or Maple +</p> <p>10% Curated Paints</p> <p>20% Pick Your Paint</p>	
Type	Mitered											
Center Panel	1/4" thick											
Stile Width	3"											
Rail Width	3"											




Door & panel appearance and size limits:

<p>4" - <7" W</p> 	<p>1-3/4" Stile & Rail</p> <p>7" - <8-1/2" W</p> 	<p>3" Stile & Rail</p> <p>8-1/2" - 36" W</p> 		<p>8-3/4" - 73" H</p> 
--	--	---	--	---

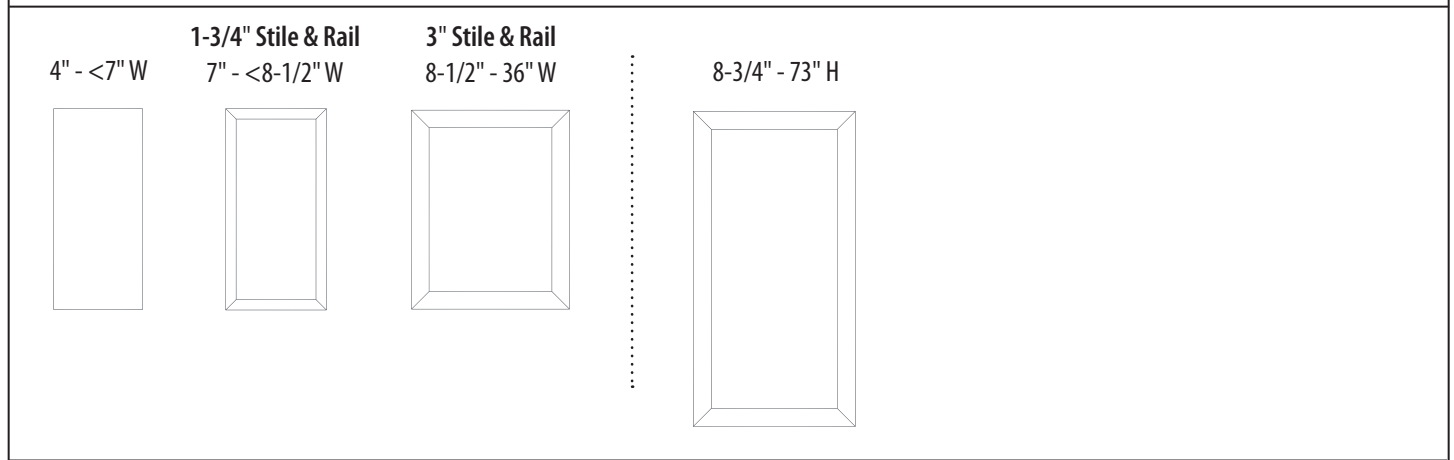
Drawer front appearance and size limits:

<p>SLAB</p> <p>Slab</p> <p>2-1/2" – 18" H</p> 		<p>DFMD</p> <p>Slab</p> <p>2-1/2" – <5-7/16" H</p> 	<p>5-pc 1/4" recessed panel</p> <p>5-7/16" – 18" H</p>  <p>1-3/4" W stiles & rails</p>
---	--	---	--

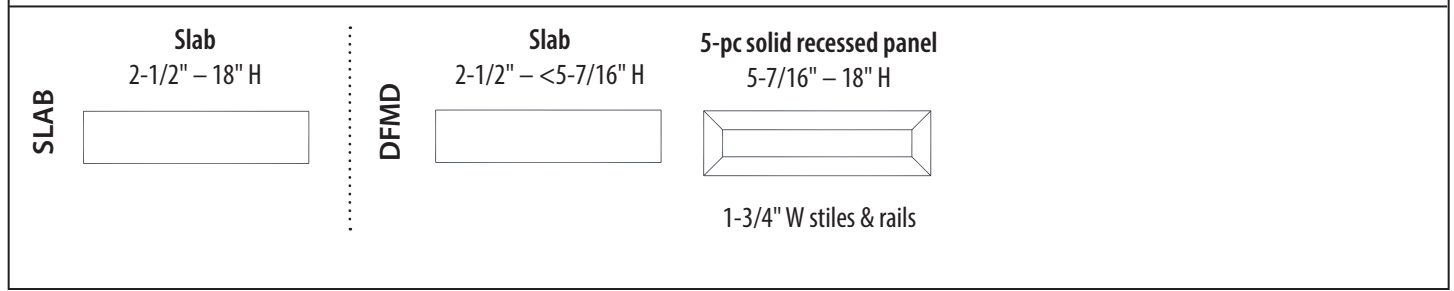
Wood Doors

<p>Belmont Solid (BMTS)</p>  		PRICE POINT: M13				<p>Standard Edge Detail</p> 
		Hinges (per door)		\$0	Concealed	
		\$29		Concealed IM		
Drawer Fronts		\$0		Slab		
		\$0		DFMD		
Wood Species		0%		Red Oak		
		0%		Beech	7%	Rustic
		4%		Alder	7%	Rustic
		5%		Hickory	10%	Rustic
		10%		Maple	15%	Rustic
		20%		Cherry		
		30%		Sapele		
Type		Mitered				
Center Panel	3/8" thick solid wood					
Stile Width	3"					
Rail Width	3"					
Prep for Glass		<p>RFG, MGD, MGDH, MGDN</p> <p>See pgs M-9 – M-10 for details</p>				
Paint		<p>Available on Red Oak or Maple +</p> <p>10% Curated Paints</p> <p>20% Pick Your Paint</p>				

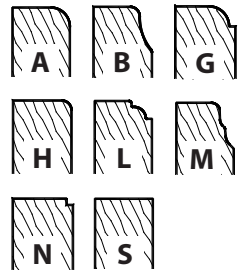

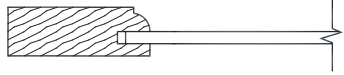



Door & panel appearance and size limits:



Drawer front appearance and size limits:

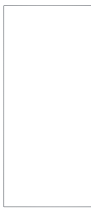
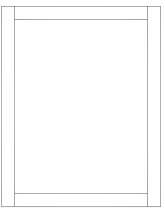
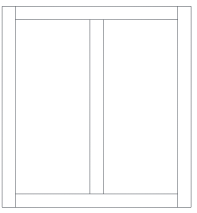
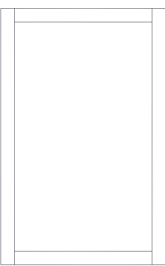
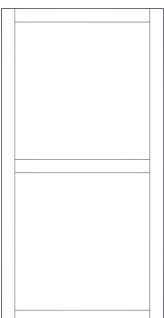


Wood Doors



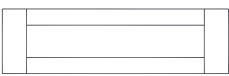
Brentwood (BTW)		PRICE POINT: M3					
 	Hinges (per door)	\$0	Concealed				
	Drawer Fronts	\$0	Slab				
		Wood Species		Prep for Glass			
							
							
				RFG, MGD, MGDC, MGDH, MGDN, MGDX See pgs M-9 – M-11 for details			
				Paint		Available on Red Oak or Maple +	
						10%	Curated Paints
		20%	Pick Your Paint				

Type	Mortise & Tenon
Center Panel	1/4" thick
Stile Width	2-1/4"
Rail Width	2-1/4"


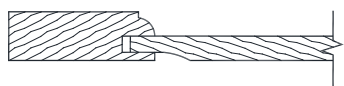
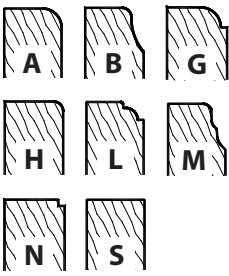
Door & panel appearance and size limits:

Slab 4" - <7" W	Center Mullion Added 7" - 27" W	Center Mullion Added >27" - 36" W		Center Rail Added 8-3/4" - 52" H	Center Rail Added >52" - 73" H
					


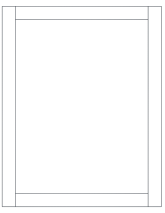
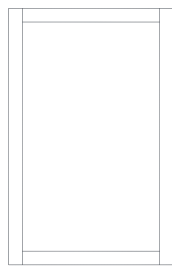
Drawer front appearance and size limits:

SLAB	Slab 2-1/2" - 18" H	DFMD	Slab 2-1/2" - <4-1/4" H	5-pc 1/4" recessed panel 4-1/4" - 18" H
				
	Rail height will vary based on drawer front height			



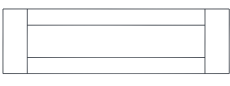
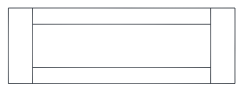
Wood Doors

<p>Brentwood Solid (BTWS)</p>  		<p>PRICE POINT: M6</p>		<p>Edge Details</p> 									
						<p>Hinges (per door)</p> <p>\$0 Concealed</p> <p>\$29 Concealed IM</p>							
<table border="1"> <tr> <td>Type</td> <td>Mortise & Tenon</td> </tr> <tr> <td>Center Panel</td> <td>3/8" thick solid wood</td> </tr> <tr> <td>Stile Width</td> <td>2-1/4"</td> </tr> <tr> <td>Rail Width</td> <td>2-1/4"</td> </tr> </table>		Type	Mortise & Tenon	Center Panel	3/8" thick solid wood	Stile Width	2-1/4"	Rail Width	2-1/4"	<p>Drawer Fronts</p> <p>\$0 Slab</p> <p>\$153 DFMD</p>		<p>Prep for Glass</p> <p>RFG, MGD, MGDC, MGDH, MGDN, MGDX</p> <p>See pgs M-9 – M-11 for details</p>	
		Type	Mortise & Tenon										
Center Panel	3/8" thick solid wood												
Stile Width	2-1/4"												
Rail Width	2-1/4"												
<p>Wood Species</p> <p>0% Red Oak</p> <p>0% Hickory 5% Rustic</p> <p>0% Beech 7% Rustic</p> <p>4% Alder 7% Rustic</p> <p>10% Maple 15% Rustic</p> <p>20% Cherry</p> <p>30% Sapele</p> <p>40% Black Walnut</p>													
				<p>Paint</p> <p>Available on Red Oak or Maple +</p> <p>10% Curated Paints</p> <p>20% Pick Your Paint</p>									


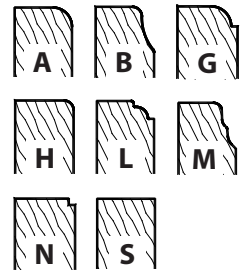
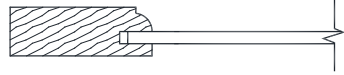
Door & panel appearance and size limits:

<p>Slab 4" - <7" W</p> 	<p>Center Mullion Added 7" - 27" W >27" - 36" W</p> 	<p>Center Rail Added 8-3/4" - 52" H >52" - 73" H</p> 
--	---	---


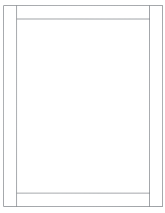
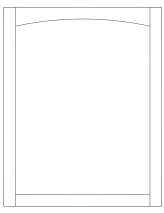
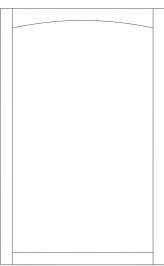
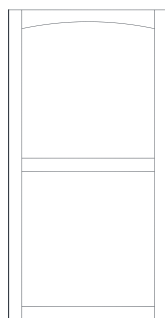
Drawer front appearance and size limits:

<p>SLAB</p> <p>Slab 2-1/2" - 18" H</p> 	<p>DFMD</p> <p>Slab 2-1/2" - <4-1/4" H</p> 	<p>5-pc 1/4" recessed panel 4-1/4" - <5-7/16" H</p> 	<p>5-pc solid recessed panel 5-7/16" - 18" H</p> 
<p>Rail height will vary based on drawer front height</p>			



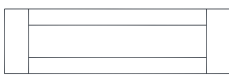
Wood Doors

Brentwood Roman (BTW-R) 		PRICE POINT: M3A																											
		<table border="1"> <tr> <td rowspan="2">Hinges (per door)</td> <td>\$0</td> <td>Concealed</td> </tr> <tr> <td>\$29</td> <td>Concealed IM</td> </tr> <tr> <td rowspan="2">Drawer Fronts</td> <td>\$0</td> <td>Slab</td> </tr> <tr> <td>\$153</td> <td>DFMD</td> </tr> </table>	Hinges (per door)			\$0	Concealed	\$29	Concealed IM	Drawer Fronts	\$0	Slab	\$153	DFMD	<table border="1"> <tr> <td rowspan="6">Wood Species</td> <td>0%</td> <td>Red Oak</td> </tr> <tr> <td>0%</td> <td>Beech</td> </tr> <tr> <td>0%</td> <td>Hickory</td> </tr> <tr> <td>6%</td> <td>Alder</td> </tr> <tr> <td>10%</td> <td>Maple</td> </tr> <tr> <td>20%</td> <td>Cherry</td> </tr> </table>		Wood Species	0%	Red Oak	0%	Beech	0%	Hickory	6%	Alder	10%	Maple	20%	Cherry
Hinges (per door)	\$0	Concealed																											
	\$29	Concealed IM																											
Drawer Fronts	\$0	Slab																											
	\$153	DFMD																											
Wood Species	0%	Red Oak																											
	0%	Beech																											
	0%	Hickory																											
	6%	Alder																											
	10%	Maple																											
	20%	Cherry																											
Prep for Glass	RFG, MGD, MGDH																												
	See pgs M-9 – M-10 for details																												
																													
<table border="1"> <tr> <td>Type</td> <td>Mortise & Tenon</td> </tr> <tr> <td>Center Panel</td> <td>1/4" thick</td> </tr> <tr> <td>Stile Width</td> <td>2-1/4"</td> </tr> <tr> <td>Rail Width</td> <td>2-1/4"</td> </tr> </table>		Type	Mortise & Tenon	Center Panel	1/4" thick	Stile Width	2-1/4"	Rail Width	2-1/4"			<table border="1"> <tr> <td rowspan="3">Paint</td> <td colspan="2">Available on Red Oak or Maple +</td> </tr> <tr> <td>10%</td> <td>Curated Paints</td> </tr> <tr> <td>20%</td> <td>Pick Your Paint</td> </tr> </table>		Paint	Available on Red Oak or Maple +		10%	Curated Paints	20%	Pick Your Paint									
Type	Mortise & Tenon																												
Center Panel	1/4" thick																												
Stile Width	2-1/4"																												
Rail Width	2-1/4"																												
Paint	Available on Red Oak or Maple +																												
	10%	Curated Paints																											
	20%	Pick Your Paint																											

Door & panel appearance and size limits:

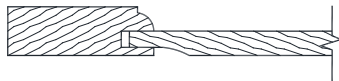
4" - <7" W	7" - <8-1/2" W	Arched Top 8-1/2" - 27" W	Arched Top 8-3/4" - 52" H	Center Rail Added >52" - 73" H	Arch is applied to: • Wall cabinets • Top door(s) of stacked cabinets • Top door(s) of Tall cabinets Includes finished end options with doors
					

Drawer front appearance and size limits:

SLAB	Slab 2-1/2" - 18" H 	DFMD	Slab 2-1/2" - <4-1/4" H 	5-pc 1/4" recessed panel 4-1/4" - 18" H 
	Rail height will vary based on drawer front height			

Wood Doors

Brentwood Roman Solid (BTWS-R)



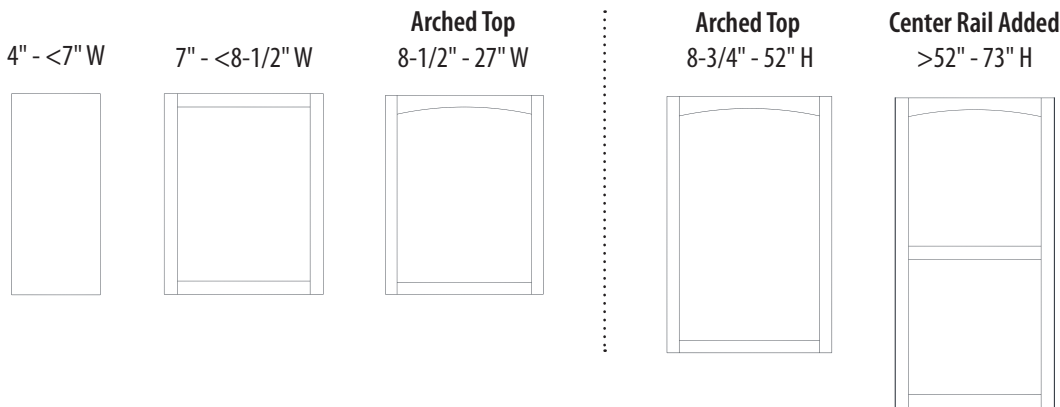
Type	Mortise & Tenon
Center Panel	3/8" thick solid wood
Stile Width	2-1/4"
Rail Width	2-1/4"

PRICE POINT: M6A

Hinges (per door)	\$0	Concealed	
	\$29	Concealed IM	
Drawer Fronts	\$0	Slab	
	\$153	DFMD	
Wood Species	0%	Red Oak	
	0%	Hickory	5% Rustic
	0%	Beech	7% Rustic
	4%	Alder	7% Rustic
	10%	Maple	15% Rustic
	20%	Cherry	
	30%	Sapele	

Edge Details			
Prep for Glass	RFG, MGD, MGDH		
	See pgs M-9 – M-10 for details		
Paint	Available on Red Oak or Maple +		
	10%	Curated Paints	
	20%	Pick Your Paint	

Door & panel appearance and size limits:

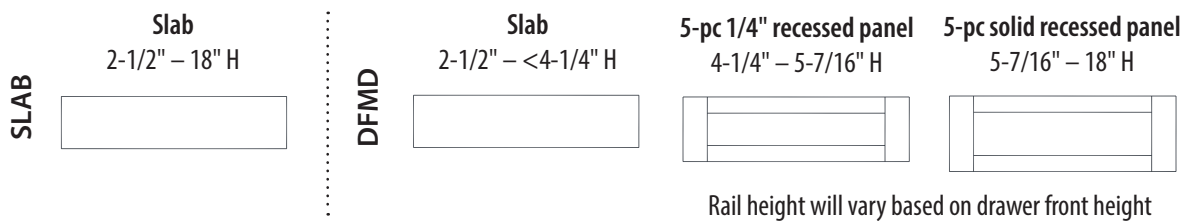


Arch is applied to:

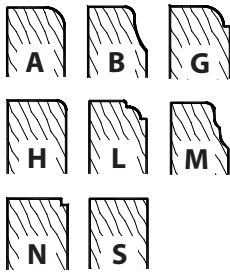

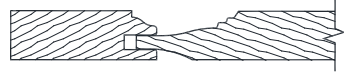
- Wall cabinets
- Top door(s) of stacked cabinets
- Top door(s) of Tall cabinets

Includes finished end options with doors


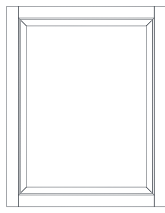
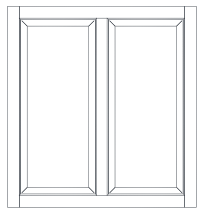
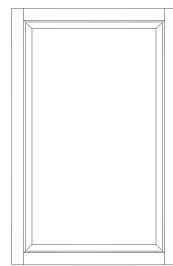
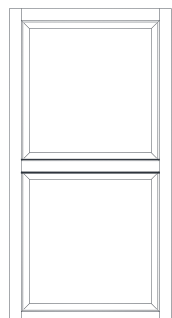
Drawer front appearance and size limits:






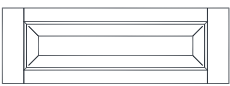
Wood Doors

Canterbury (CAN)		PRICE POINT: M6				
 	Hinges (per door)	\$0	Concealed			
	Drawer Fronts	\$0	Slab			
		\$153	DFMD			
	Wood Species	0% Red Oak				
		0%	Hickory	5%	Rustic	
		0%	Beech	7%	Rustic	
		4%	Alder	7%	Rustic	
		10%	Maple	15%	Rustic	
		20%	Cherry			
		30%	Sapele			
		40%	Black Walnut			
						Prep for Glass RFG, MGD, MGDC, MGDH, MGDN, MGDX See pgs M-9 – M-11 for details
						Paint Available on Red Oak or Maple + 10% Curated Paints 20% Pick Your Paint


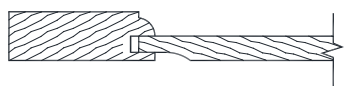
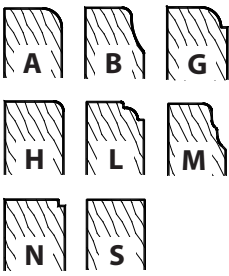
Door & panel appearance and size limits:

4" - <7" W	7" - 27" W	Center Mullion Added >27" - 36" W	8-15/16" - 52" H	Center Rail Added >52" - 73" H
				
Doors under 7-1/2" wide: stiles vary by width				

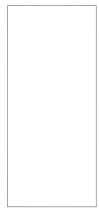

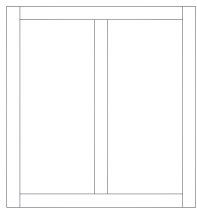
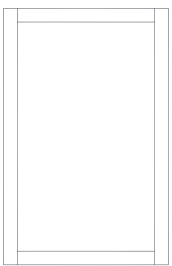
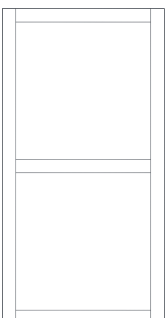
Drawer front appearance and size limits:

SLAB	Slab 2-1/2" - 18" H	DFMD	Slab 2-1/2" - <4-1/4" H	5-pc 1/4" recessed panel 4-1/4" - <5-7/16" H	5-pc solid raised panel 5-7/16" - 18" H
					
Rail height will vary based on drawer front height					



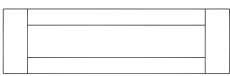
Wood Doors

<p>Cape Cod Solid (CODS)</p>  		<p>PRICE POINT: M13</p>		<p>Edge Details</p> 																															
						<table border="1"> <tr> <td rowspan="2">Hinges (per door)</td> <td>\$0</td> <td colspan="2">Concealed</td> </tr> <tr> <td>\$29</td> <td colspan="2">Concealed IM</td> </tr> <tr> <td rowspan="2">Drawer Fronts</td> <td>\$0</td> <td colspan="2">Slab</td> </tr> <tr> <td>\$0</td> <td colspan="2">DFMD</td> </tr> </table>		Hinges (per door)	\$0	Concealed		\$29	Concealed IM		Drawer Fronts	\$0	Slab		\$0	DFMD															
Hinges (per door)	\$0	Concealed																																	
	\$29	Concealed IM																																	
Drawer Fronts	\$0	Slab																																	
	\$0	DFMD																																	
<table border="1"> <tr> <td>Type</td> <td>Mortise & Tenon</td> </tr> <tr> <td>Center Panel</td> <td>3/8" thick solid wood</td> </tr> <tr> <td>Stile Width</td> <td>2-1/4"</td> </tr> <tr> <td>Rail Width</td> <td>2-1/4"</td> </tr> </table>		Type	Mortise & Tenon	Center Panel	3/8" thick solid wood	Stile Width	2-1/4"	Rail Width	2-1/4"	<table border="1"> <tr> <td rowspan="7">Wood Species</td> <td colspan="3">0% Red Oak</td> </tr> <tr> <td>0%</td> <td>Hickory</td> <td>5% Rustic</td> </tr> <tr> <td>0%</td> <td>Beech</td> <td>7% Rustic</td> </tr> <tr> <td>4%</td> <td>Alder</td> <td>7% Rustic</td> </tr> <tr> <td>10%</td> <td>Maple</td> <td>15% Rustic</td> </tr> <tr> <td colspan="3">20% Cherry</td> </tr> <tr> <td colspan="3">30% Sapele</td> </tr> </table>		Wood Species	0% Red Oak			0%	Hickory	5% Rustic	0%	Beech	7% Rustic	4%	Alder	7% Rustic	10%	Maple	15% Rustic	20% Cherry			30% Sapele			<p>Prep for Glass</p> <p>RFG, MGD, MGDC, MGDH, MGDN, MGDX</p> <p>See pgs M-9 – M-11 for details</p>	
		Type	Mortise & Tenon																																
		Center Panel	3/8" thick solid wood																																
		Stile Width	2-1/4"																																
		Rail Width	2-1/4"																																
		Wood Species	0% Red Oak																																
			0%	Hickory	5% Rustic																														
0%	Beech		7% Rustic																																
4%	Alder		7% Rustic																																
10%	Maple		15% Rustic																																
20% Cherry																																			
30% Sapele																																			
<p>Paint</p> <p>Available on Red Oak or Maple +</p> <table border="1"> <tr> <td>10%</td> <td>Curated Paints</td> </tr> <tr> <td>20%</td> <td>Pick Your Paint</td> </tr> </table>		10%	Curated Paints	20%	Pick Your Paint																														
		10%	Curated Paints																																
		20%	Pick Your Paint																																

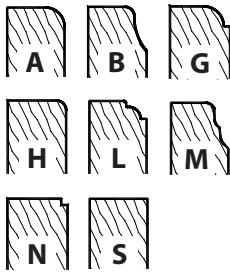

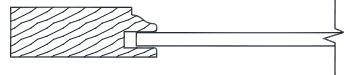
Door & panel appearance and size limits:

4" - <7" W	7" - 27" W	Center Mullion Added >27" - 36" W	8-3/4" - 52" H	Center Rail Added >52" - 73" H
				


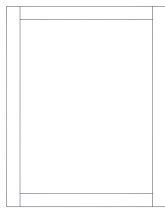
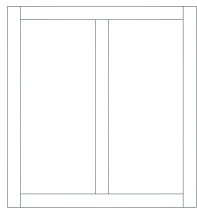
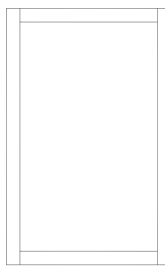
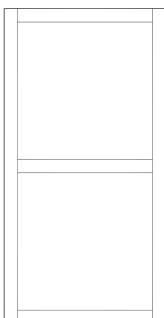
Drawer front appearance and size limits:

SLAB	Slab 2-1/2" – 18" H	DFMD	Slab 2-1/2" – <5-7/16" H	5-pc solid recessed panel 5-7/16" – 18" H
				
<p>Rail height will vary based on drawer front height</p>				



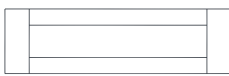
Wood Doors

Carlsbad (CBD)		PRICE POINT: M3											
 	Hinges (per door)	\$0	Concealed										
		\$29	Concealed IM										
	Drawer Fronts	\$0	Slab										
		\$153	DFMD										
	Wood Species	0%	Red Oak										
		0%	Beech										
		0%	Hickory										
6%		Alder											
10%		Maple											
	20%	Cherry											
				Prep for Glass RFG, MGD, MGDC, MGDH, MGDN, MGDH See pgs M-9 – M-11 for details									
				Paint Available on Red Oak or Maple + 10% Curated Paints 20% Pick Your Paint									
<table border="1"> <tr> <td>Type</td> <td>Mortise & Tenon</td> </tr> <tr> <td>Center Panel</td> <td>1/4" thick</td> </tr> <tr> <td>Stile Width</td> <td>2-1/4"</td> </tr> <tr> <td>Rail Width</td> <td>2-1/4"</td> </tr> </table>		Type	Mortise & Tenon	Center Panel	1/4" thick	Stile Width	2-1/4"	Rail Width	2-1/4"				
Type	Mortise & Tenon												
Center Panel	1/4" thick												
Stile Width	2-1/4"												
Rail Width	2-1/4"												


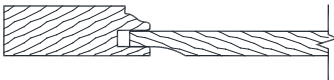
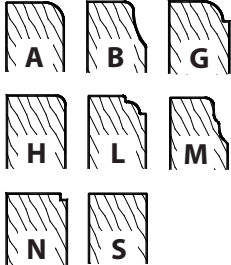
Door & panel appearance and size limits:

4" - <7" W	7" - 27" W	Center Mullion Added >27" - 36" W	8-3/4" - 52" H	Center Rail Added >52" - 73" H
				


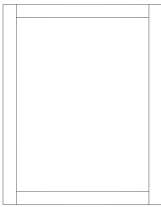
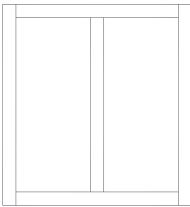
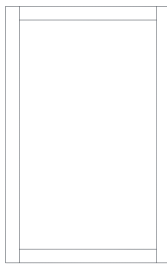
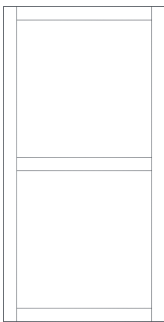
Drawer front appearance and size limits:

SLAB	Slab 2-1/2" - 18" H  DFMD	Slab 2-1/2" - <4-1/4" H 	5-pc 1/4" recessed panel 4-1/4" - 18" H  Rail height will vary based on drawer front height
-------------	--	-------------------------------	--	--



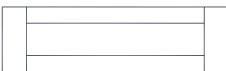

Wood Doors

<p>Carlsbad Solid (CBDS)</p>  		<p>PRICE POINT: M6</p>		<p>Edge Details</p> 																																		
						<table border="1"> <tr> <td rowspan="2">Hinges (per door)</td> <td>\$0</td> <td colspan="2">Concealed</td> </tr> <tr> <td>\$29</td> <td colspan="2">Concealed IM</td> </tr> <tr> <td rowspan="2">Drawer Fronts</td> <td>\$0</td> <td colspan="2">Slab</td> </tr> <tr> <td>\$153</td> <td colspan="2">DFMD</td> </tr> </table>		Hinges (per door)	\$0	Concealed		\$29	Concealed IM		Drawer Fronts	\$0	Slab		\$153	DFMD																		
Hinges (per door)	\$0	Concealed																																				
	\$29	Concealed IM																																				
Drawer Fronts	\$0	Slab																																				
	\$153	DFMD																																				
<table border="1"> <tr> <td>Type</td> <td>Mortise & Tenon</td> </tr> <tr> <td>Center Panel</td> <td>3/8" thick solid wood</td> </tr> <tr> <td>Stile Width</td> <td>2-1/4"</td> </tr> <tr> <td>Rail Width</td> <td>2-1/4"</td> </tr> </table>		Type	Mortise & Tenon	Center Panel	3/8" thick solid wood	Stile Width	2-1/4"	Rail Width	2-1/4"	<table border="1"> <tr> <td rowspan="8">Wood Species</td> <td colspan="3">0% Red Oak</td> </tr> <tr> <td>0%</td> <td>Hickory</td> <td>5% Rustic</td> </tr> <tr> <td>0%</td> <td>Beech</td> <td>7% Rustic</td> </tr> <tr> <td>4%</td> <td>Alder</td> <td>7% Rustic</td> </tr> <tr> <td>10%</td> <td>Maple</td> <td>15% Rustic</td> </tr> <tr> <td colspan="3">20% Cherry</td> </tr> <tr> <td colspan="3">30% Sapele</td> </tr> <tr> <td colspan="3">40% Black Walnut</td> </tr> </table>		Wood Species	0% Red Oak			0%	Hickory	5% Rustic	0%	Beech	7% Rustic	4%	Alder	7% Rustic	10%	Maple	15% Rustic	20% Cherry			30% Sapele			40% Black Walnut			<p>Prep for Glass</p> <p>RFG, MGD, MGDC, MGDH, MGDN, MGDX</p> <p>See pgs M-9 – M-11 for details</p>	
		Type	Mortise & Tenon																																			
Center Panel	3/8" thick solid wood																																					
Stile Width	2-1/4"																																					
Rail Width	2-1/4"																																					
Wood Species	0% Red Oak																																					
	0%	Hickory	5% Rustic																																			
	0%	Beech	7% Rustic																																			
	4%	Alder	7% Rustic																																			
	10%	Maple	15% Rustic																																			
	20% Cherry																																					
	30% Sapele																																					
	40% Black Walnut																																					
<table border="1"> <tr> <td rowspan="3">Paint</td> <td colspan="2">Available on Red Oak or Maple +</td> </tr> <tr> <td>10%</td> <td>Curated Paints</td> </tr> <tr> <td>20%</td> <td>Pick Your Paint</td> </tr> </table>		Paint	Available on Red Oak or Maple +		10%	Curated Paints	20%	Pick Your Paint																														
			Paint	Available on Red Oak or Maple +																																		
10%	Curated Paints																																					
20%	Pick Your Paint																																					

Door & panel appearance and size limits:

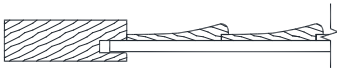
4" - <7" W	7" - 27" W	Center Mullion Added >27" - 36" W	8-3/4" - 52" H	Center Rail Added >52" - 73" H
				

Drawer front appearance and size limits:

SLAB	Slab 2-1/2" - 18" H	DFMD	Slab 2-1/2" - <4-1/4" H	5-pc 1/4" recessed panel 4-1/4" - <5-7/16" H	5-pc solid recessed panel 5-7/16" - 18" H
					
<p>Rail height will vary based on drawer front height</p>					

Wood Doors

Catalina (CAT)

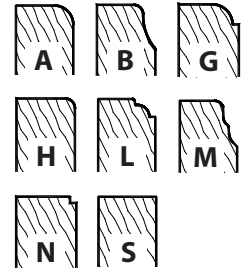


Type	Mortise & Tenon
Center Panel	1/4" thick plus 5/16" thick louver
Stile Width	2-1/4"
Rail Width	2-1/4"

PRICE POINT: M15

Hinges (per door)	\$0	Concealed
	\$29	Concealed IM
Drawer Fronts	\$0	Slab Only
Wood Species	0%	Red Oak
	0%	Beech
	0%	Hickory
	6%	Alder
	10%	Maple
	20%	Cherry

Edge Details



Prep for Glass

RFG,
MGD, MGDC, MGDH,
MGDN, MGDX

See pgs M-9 – M-11 for details

Paint

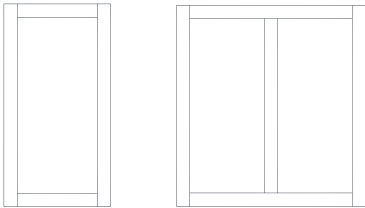
Available on Red Oak or Maple +

10% Curated Paints

20% Pick Your Paint

Door & panel appearance and size limits:

Center Mullion Added
6-3/4" - <30" W 30" - 48" W



Center Rail Added
7-1/2" - <60" H 60" - 73" H



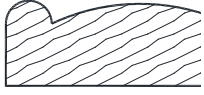


- Louvers are 1-7/8"H & 5/16" thick at thickest point
- Louvers are filled from top to bottom of door
- Bottom louver is trimmed to fit


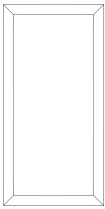
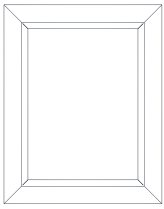
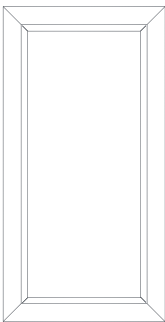
Drawer front appearance and size limits:

SLAB	Slab
	2-1/2" – 18" H




Wood Doors

Charleston (CHR)  		PRICE POINT: M13		Standard Edge Detail 																								
<table border="1"> <tr> <td rowspan="2">Hinges (per door)</td> <td>\$0</td> <td>Concealed</td> </tr> <tr> <td>\$29</td> <td>Concealed IM</td> </tr> <tr> <td rowspan="2">Drawer Fronts</td> <td>\$0</td> <td>Slab</td> </tr> <tr> <td>\$0</td> <td>DFMD</td> </tr> </table>		Hinges (per door)	\$0			Concealed	\$29	Concealed IM	Drawer Fronts	\$0	Slab	\$0	DFMD	<table border="1"> <tr> <td rowspan="7">Wood Species</td> <td colspan="2">0% Red Oak</td> </tr> <tr> <td>0% Beech</td> <td>7% Rustic</td> </tr> <tr> <td>4% Alder</td> <td>7% Rustic</td> </tr> <tr> <td>5% Hickory</td> <td>10% Rustic</td> </tr> <tr> <td>10% Maple</td> <td>15% Rustic</td> </tr> <tr> <td colspan="2">20% Cherry</td> </tr> <tr> <td colspan="2">30% Sapele</td> </tr> </table>		Wood Species	0% Red Oak		0% Beech	7% Rustic	4% Alder	7% Rustic	5% Hickory	10% Rustic	10% Maple	15% Rustic	20% Cherry	
			Hinges (per door)	\$0	Concealed																							
\$29	Concealed IM																											
Drawer Fronts	\$0	Slab																										
	\$0	DFMD																										
Wood Species	0% Red Oak																											
	0% Beech	7% Rustic																										
	4% Alder	7% Rustic																										
	5% Hickory	10% Rustic																										
	10% Maple	15% Rustic																										
	20% Cherry																											
	30% Sapele																											
<table border="1"> <tr> <td>Type</td> <td>Mitered</td> </tr> <tr> <td>Center Panel</td> <td>3/4" thick solid wood</td> </tr> <tr> <td>Stile Width</td> <td>3"</td> </tr> <tr> <td>Rail Width</td> <td>3"</td> </tr> </table>		Type	Mitered	Center Panel	3/4" thick solid wood	Stile Width	3"	Rail Width	3"	<table border="1"> <tr> <td rowspan="3">Prep for Glass</td> <td colspan="2">RFG, MGD, MGDH, MGDN</td> </tr> <tr> <td colspan="2">See pgs M-9 – M-10 for details</td> </tr> <tr> <td colspan="2"> </td> </tr> </table>		Prep for Glass	RFG, MGD, MGDH, MGDN		See pgs M-9 – M-10 for details				<table border="1"> <tr> <td rowspan="3">Paint</td> <td colspan="2">Available on Red Oak or Maple +</td> </tr> <tr> <td>10%</td> <td>Curated Paints</td> </tr> <tr> <td>20%</td> <td>Pick Your Paint</td> </tr> </table>		Paint	Available on Red Oak or Maple +		10%	Curated Paints	20%	Pick Your Paint	
Type	Mitered																											
Center Panel	3/4" thick solid wood																											
Stile Width	3"																											
Rail Width	3"																											
Prep for Glass	RFG, MGD, MGDH, MGDN																											
	See pgs M-9 – M-10 for details																											
Paint	Available on Red Oak or Maple +																											
	10%	Curated Paints																										
	20%	Pick Your Paint																										


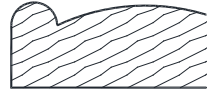
Door & panel appearance and size limits:

4" - <7" W	1-3/4" Stile & Rail 7" - <9" W	3" Stile & Rail 9" - 36" W	8-3/4" - 73" H
			
	Recessed solid panel	Raised panel	

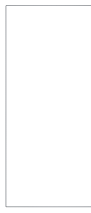
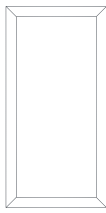
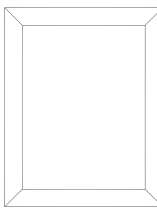
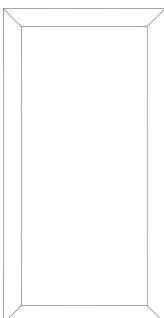
Drawer front appearance and size limits:

SLAB	Slab 2-1/2" - 18" H 	DFMD	Slab 2-1/2" - <5-7/16" H 	5-pc solid recessed panel 5-7/16" - 18" H  1-3/4" W stiles & rails




Wood Doors

<p>Chatham (CHT)</p> 		PRICE POINT: M9		<p>Standard Edge Detail</p> 							
		<p>Hinges (per door)</p>	<p>\$0 Concealed</p> <p>\$29 Concealed IM</p>		<p>Prep for Glass</p> <p>RFG, MGD, MGDH, MGDN</p> <p>See pgs M-9 – M-10 for details</p>						
<p>Drawer Fronts</p>	<p>\$0 Slab Only</p> <p>\$0 DFMD</p>	<p>Wood Species</p> <p>0% Red Oak</p> <p>0% Beech</p> <p>5% Hickory</p> <p>6% Alder</p> <p>10% Maple</p> <p>20% Cherry</p>	<p>Paint</p> <p>Available on Red Oak or Maple +</p> <p>10% Curated Paints</p> <p>20% Pick Your Paint</p>								
<table border="1"> <tr> <td>Type</td> <td>Mitered</td> </tr> <tr> <td>Center Panel</td> <td>1/4" thick</td> </tr> <tr> <td>Stile Width</td> <td>3"</td> </tr> <tr> <td>Rail Width</td> <td>3"</td> </tr> </table>	Type	Mitered	Center Panel	1/4" thick	Stile Width	3"	Rail Width	3"			
Type	Mitered										
Center Panel	1/4" thick										
Stile Width	3"										
Rail Width	3"										



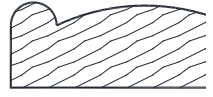
Door & panel appearance and size limits:

<p>4" - <7" W</p> 	<p>1-3/4" Stile & Rail</p> <p>7" - <8-1/2" W</p> 	<p>3" Stile & Rail</p> <p>8-1/2" - 36" W</p> 		<p>8-3/4" - 73" H</p> 
---	--	---	--	---



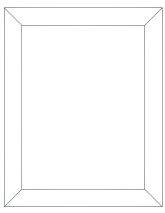
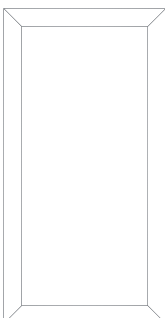
Drawer front appearance and size limits:

SLAB	<p>Slab</p> <p>2-1/2" - 18" H</p> 	DFMD	<p>Slab</p> <p>2-1/2" - <5-7/16" H</p> 	<p>5-pc 1/4" recessed panel</p> <p>5-7/16" - 18" H</p>  <p>1-3/4" W stiles & rails</p>




Wood Doors

<p>Chatham Solid (CHTS)</p>  		PRICE POINT: M13				<p>Standard Edge Detail</p> 							
		<p>Hinges (per door)</p>	\$0	Concealed			<p>Prep for Glass</p>	<p>RFG, MGD, MGDH, MGDN</p> <p>See pgs M-9 – M-10 for details</p>					
\$29	Concealed IM												
<p>Drawer Fronts</p>	\$0	Slab		<p>Paint</p>	<p>Available on Red Oak or Maple +</p>								
	\$0	DFMD											
<p>Wood Species</p>	0%		Red Oak		<p>10% Curated Paints</p>								
	0%	Beech	7%	Rustic									
	4%	Alder	7%	Rustic									
	5%	Hickory	10%	Rustic									
	10%	Maple	15%	Rustic									
	20%		Cherry										
	30%		Sapele										
<table border="1"> <tr> <td>Type</td> <td>Mitered</td> </tr> <tr> <td>Center Panel</td> <td>3/8" thick solid wood</td> </tr> <tr> <td>Stile Width</td> <td>3"</td> </tr> <tr> <td>Rail Width</td> <td>3"</td> </tr> </table>	Type	Mitered	Center Panel	3/8" thick solid wood	Stile Width	3"	Rail Width	3"					<p>20% Pick Your Paint</p>
Type	Mitered												
Center Panel	3/8" thick solid wood												
Stile Width	3"												
Rail Width	3"												


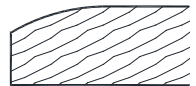
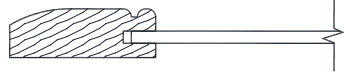
Door & panel appearance and size limits:

4" - <7" W	1-3/4" Stile & Rail 7" - <8-1/2" W	3" Stile & Rail 8-1/2" - 36" W		8-3/4" - 73" H
				


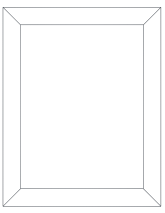
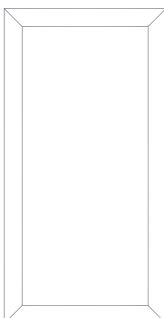
Drawer front appearance and size limits:

SLAB	<p>Slab 2-1/2" – 18" H</p> 	DFMD	<p>Slab 2-1/2" – <5-7/16" H</p> 	<p>5-pc solid recessed panel 5-7/16" – 18" H</p>  <p>1-3/4" W stiles & rails</p>




Wood Doors

<p>Concord (CON)</p> 		<p>PRICE POINT: M5</p>		<p>Standard Edge Detail</p> 
		<p>Drawer Fronts</p>	<p>\$0 Slab Only</p> <p>\$153 DFMD</p>	<p>Prep for Glass</p> <p>RFG, MGD, MGDH, MGDN</p> <p>See pgs M-9 – M-10 for details</p>
		<p>Wood Species</p>	<p>0% Red Oak</p> <p>0% Beech</p> <p>5% Hickory</p> <p>6% Alder</p> <p>10% Maple</p> <p>20% Cherry</p>	
<p>Type</p>	<p>Mitered</p>	<p>Paint</p> <p>Available on Red Oak or Maple +</p> <p>10% Curated Paints</p> <p>20% Pick Your Paint</p>		
<p>Center Panel</p>	<p>1/4" thick</p>			
<p>Stile Width</p>	<p>2-1/4"</p>			
<p>Rail Width</p>	<p>2-1/4"</p>			


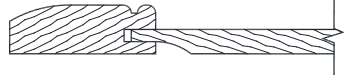
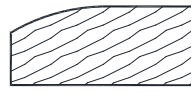
Door & panel appearance and size limits:

<p>4" - <7" W</p> 	<p>7" - 36" W</p> 	<p>8-3/4" - 73" H</p> 
<p>Vertical dotted line indicating a transition or limit between the two width categories.</p>		


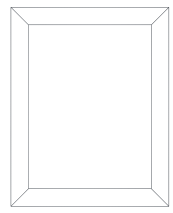
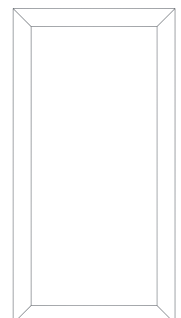
Drawer front appearance and size limits:

<p>SLAB</p>	<p>Slab</p> <p>2-1/2" – 18" H</p>  <p>Slab front w/beveled edge</p>	<p>DFMD</p>	<p>Slab</p> <p>2-1/2" – <5-7/16" H</p>  <p>Slab front w/beveled edge</p>	<p>5-pc 1/4" recessed panel</p> <p>5-7/16" – 18" H</p>  <p>2-1/4" W stiles & rails</p>
	<p>Vertical dotted line separating the Slab and DFMD categories.</p>			




Wood Doors

<p>Concord Solid (CONS)</p>  		PRICE POINT: M10				<p>Standard Edge Detail</p> 																																											
		<p>Hinges (per door)</p> <table border="1"> <tr> <td>\$0</td> <td>Concealed</td> </tr> <tr> <td>\$29</td> <td>Concealed IM</td> </tr> </table>		\$0	Concealed		\$29	Concealed IM	<p>Drawer Fronts</p> <table border="1"> <tr> <td>\$0</td> <td>Slab</td> </tr> <tr> <td>\$153</td> <td>DFMD</td> </tr> </table>		\$0	Slab	\$153	DFMD																																			
\$0	Concealed																																																
\$29	Concealed IM																																																
\$0	Slab																																																
\$153	DFMD																																																
<table border="1"> <tr> <td>Type</td> <td>Mitered</td> </tr> <tr> <td>Center Panel</td> <td>3/8" thick solid wood</td> </tr> <tr> <td>Stile Width</td> <td>2-1/4"</td> </tr> <tr> <td>Rail Width</td> <td>2-1/4"</td> </tr> </table>		Type	Mitered	Center Panel	3/8" thick solid wood	Stile Width	2-1/4"	Rail Width	2-1/4"	<p>Wood Species</p> <table border="1"> <tr> <td>0%</td> <td>Red Oak</td> <td></td> <td></td> <td></td> </tr> <tr> <td>0%</td> <td>Beech</td> <td>7%</td> <td>Rustic</td> <td></td> </tr> <tr> <td>4%</td> <td>Alder</td> <td>7%</td> <td>Rustic</td> <td></td> </tr> <tr> <td>5%</td> <td>Hickory</td> <td>10%</td> <td>Rustic</td> <td></td> </tr> <tr> <td>10%</td> <td>Maple</td> <td>15%</td> <td>Rustic</td> <td></td> </tr> <tr> <td>20%</td> <td>Cherry</td> <td></td> <td></td> <td></td> </tr> <tr> <td>30%</td> <td>Sapele</td> <td></td> <td></td> <td></td> </tr> </table>				0%	Red Oak				0%	Beech	7%	Rustic		4%	Alder	7%	Rustic		5%	Hickory	10%	Rustic		10%	Maple	15%	Rustic		20%	Cherry				30%	Sapele				<p>Prep for Glass</p> <p>RFG, MGD, MGDH, MGDN</p> <p>See pgs M-11 – M-12 for details</p>
		Type	Mitered																																														
		Center Panel	3/8" thick solid wood																																														
		Stile Width	2-1/4"																																														
		Rail Width	2-1/4"																																														
		0%	Red Oak																																														
		0%	Beech	7%	Rustic																																												
4%	Alder	7%	Rustic																																														
5%	Hickory	10%	Rustic																																														
10%	Maple	15%	Rustic																																														
20%	Cherry																																																
30%	Sapele																																																
<p>Paint</p> <table border="1"> <tr> <td colspan="2">Available on Red Oak or Maple +</td> </tr> <tr> <td>10%</td> <td>Curated Paints</td> </tr> <tr> <td>20%</td> <td>Pick Your Paint</td> </tr> </table>		Available on Red Oak or Maple +		10%	Curated Paints	20%	Pick Your Paint																																										
		Available on Red Oak or Maple +																																															
		10%	Curated Paints																																														
20%	Pick Your Paint																																																


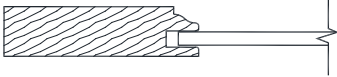
























Door & panel appearance and size limits:

4" - <7" W	7" - 36" W		8-3/4" - 73" H
			


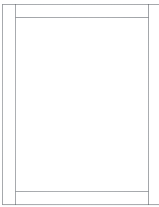
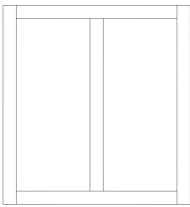
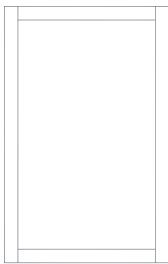
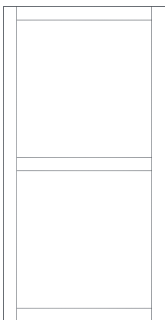
Drawer front appearance and size limits:

SLAB	<p>Slab</p> <p>2-1/2" – 18" H</p> 		DFMD	<p>Slab</p> <p>2-1/2" – <5-7/16" H</p> 	<p>5-pc solid recessed panel</p> <p>5-7/16" – 18" H</p> 
	Slab front w/beveled edge			Slab front w/beveled edge	2-1/4" W stiles & rails



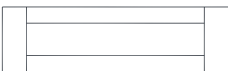
Wood Doors

Cortina (CRT)																																																																																
 	PRICE POINT: M8				<table border="1"> <tr> <td rowspan="6" style="text-align: center;">Edge Details</td> <td></td> <td></td> <td></td> </tr> <tr> <td></td> <td></td> <td></td> </tr> <tr> <td></td> <td></td> <td></td> </tr> <tr> <td colspan="3" style="text-align: center;"> RFG, MGD, MGDC, MGDH, MGDN, MGDX </td> </tr> <tr> <td colspan="3" style="text-align: center;"> See pgs M-9 – M-11 for details </td> </tr> <tr> <td colspan="3" style="text-align: center;"> Available on Red Oak or Maple + </td> </tr> <tr> <td colspan="2" style="text-align: center;">Hinges (per door)</td> <td>\$0</td> <td colspan="2">Concealed</td> </tr> <tr> <td colspan="2" style="text-align: center;">Drawer Fronts</td> <td>\$0</td> <td colspan="2">Slab Only</td> </tr> <tr> <td colspan="2"></td> <td>\$153</td> <td colspan="2">DFMD</td> </tr> <tr> <td colspan="2" rowspan="6" style="text-align: center;">Wood Species</td> <td>0%</td> <td colspan="2">Red Oak</td> </tr> <tr> <td>0%</td> <td colspan="2">Beech</td> </tr> <tr> <td>0%</td> <td colspan="2">Hickory</td> </tr> <tr> <td>6%</td> <td colspan="2">Alder</td> </tr> <tr> <td>10%</td> <td colspan="2">Maple</td> </tr> <tr> <td>20%</td> <td colspan="2">Cherry</td> </tr> <tr> <td colspan="2"> <table border="1"> <tr> <td style="text-align: center;">Type</td> <td style="text-align: center;">Mortise & Tenon</td> </tr> <tr> <td style="text-align: center;">Center Panel</td> <td style="text-align: center;">1/4" thick</td> </tr> <tr> <td style="text-align: center;">Stile Width</td> <td style="text-align: center;">3"</td> </tr> <tr> <td style="text-align: center;">Rail Width</td> <td style="text-align: center;">3"</td> </tr> </table> </td> <td colspan="2"></td> <td> <table border="1"> <tr> <td colspan="2" style="text-align: center;">Paint</td> <td>10%</td> <td>Curated Paints</td> </tr> <tr> <td colspan="2"></td> <td>20%</td> <td>Pick Your Paint</td> </tr> </table> </td> </tr> </table>	Edge Details										RFG, MGD, MGDC, MGDH, MGDN, MGDX			See pgs M-9 – M-11 for details			Available on Red Oak or Maple +			Hinges (per door)		\$0	Concealed		Drawer Fronts		\$0	Slab Only				\$153	DFMD		Wood Species		0%	Red Oak		0%	Beech		0%	Hickory		6%	Alder		10%	Maple		20%	Cherry		<table border="1"> <tr> <td style="text-align: center;">Type</td> <td style="text-align: center;">Mortise & Tenon</td> </tr> <tr> <td style="text-align: center;">Center Panel</td> <td style="text-align: center;">1/4" thick</td> </tr> <tr> <td style="text-align: center;">Stile Width</td> <td style="text-align: center;">3"</td> </tr> <tr> <td style="text-align: center;">Rail Width</td> <td style="text-align: center;">3"</td> </tr> </table>		Type	Mortise & Tenon	Center Panel	1/4" thick	Stile Width	3"	Rail Width	3"			<table border="1"> <tr> <td colspan="2" style="text-align: center;">Paint</td> <td>10%</td> <td>Curated Paints</td> </tr> <tr> <td colspan="2"></td> <td>20%</td> <td>Pick Your Paint</td> </tr> </table>	Paint		10%	Curated Paints			20%	Pick Your Paint
	Edge Details																																																																															
																																																																																
																																																																																
		RFG, MGD, MGDC, MGDH, MGDN, MGDX																																																																														
		See pgs M-9 – M-11 for details																																																																														
		Available on Red Oak or Maple +																																																																														
Hinges (per door)		\$0	Concealed																																																																													
Drawer Fronts		\$0	Slab Only																																																																													
		\$153	DFMD																																																																													
Wood Species		0%	Red Oak																																																																													
		0%	Beech																																																																													
		0%	Hickory																																																																													
		6%	Alder																																																																													
		10%	Maple																																																																													
		20%	Cherry																																																																													
<table border="1"> <tr> <td style="text-align: center;">Type</td> <td style="text-align: center;">Mortise & Tenon</td> </tr> <tr> <td style="text-align: center;">Center Panel</td> <td style="text-align: center;">1/4" thick</td> </tr> <tr> <td style="text-align: center;">Stile Width</td> <td style="text-align: center;">3"</td> </tr> <tr> <td style="text-align: center;">Rail Width</td> <td style="text-align: center;">3"</td> </tr> </table>		Type	Mortise & Tenon	Center Panel	1/4" thick	Stile Width	3"	Rail Width	3"			<table border="1"> <tr> <td colspan="2" style="text-align: center;">Paint</td> <td>10%</td> <td>Curated Paints</td> </tr> <tr> <td colspan="2"></td> <td>20%</td> <td>Pick Your Paint</td> </tr> </table>	Paint		10%	Curated Paints			20%	Pick Your Paint																																																												
Type	Mortise & Tenon																																																																															
Center Panel	1/4" thick																																																																															
Stile Width	3"																																																																															
Rail Width	3"																																																																															
Paint		10%	Curated Paints																																																																													
		20%	Pick Your Paint																																																																													

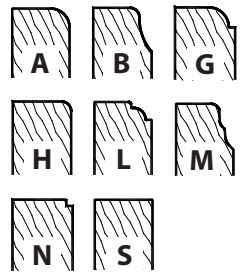

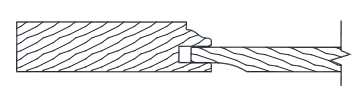
Door & panel appearance and size limits:

4" - <7" W	7" - 27" W	Center Mullion Added >27" - 36" W		8-3/4" - 52" H	Center Rail Added >52" - 73" H
					
Doors under 7-1/2" wide: stiles vary by width					


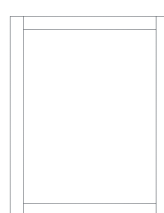
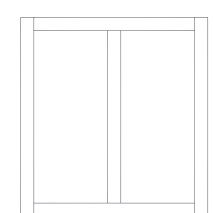
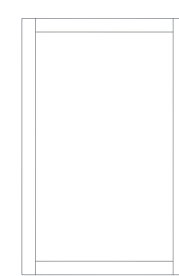
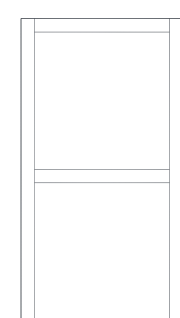
Drawer front appearance and size limits:

SLAB	Slab 2-1/2" - 18" H	DFMD	Slab 2-1/2" - 4-1/4" H	5-pc 1/4" recessed panel 4-1/4" - 18" H
				
	Rail height will vary based on drawer front height			

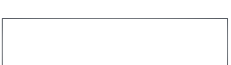



Wood Doors

Cortina Solid (CRTS)		PRICE POINT: M9											
 	Hinges (per door)	\$0	Concealed										
	Drawer Fronts	\$0	Slab										
		\$153	DFMD										
	Wood Species	0%		Red Oak									
		0%		Hickory	5%	Rustic							
		0%		Beech	7%	Rustic							
		4%		Alder	7%	Rustic							
		10%		Maple	15%	Rustic							
		20%		Cherry									
		30%		Sapele									
		30%		Bamboo									
		30%		Carbonized Bamboo									
		35%		Rift White Oak									
	40%		Black Walnut										
<table border="1"> <tr> <td>Type</td> <td>Mortise & Tenon</td> </tr> <tr> <td>Center Panel</td> <td>3/8" thick solid wood</td> </tr> <tr> <td>Stile Width</td> <td>3"</td> </tr> <tr> <td>Rail Width</td> <td>3"</td> </tr> </table>		Type	Mortise & Tenon	Center Panel	3/8" thick solid wood	Stile Width	3"	Rail Width	3"			Prep for Glass RFG, MGD, MGDC, MGDH, MGDN, MGDX See pgs M-9 – M-11 for details	
Type	Mortise & Tenon												
Center Panel	3/8" thick solid wood												
Stile Width	3"												
Rail Width	3"												
		Paint Available on Red Oak or Maple + 10% Curated Paints 20% Pick Your Paint											



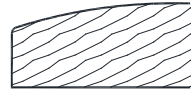
Door & panel appearance and size limits:

4" - <7" W	7" - 27" W	Center Mullion Added >27" - 36" W	8-3/4" - 52" H	Center Rail Added >52" - 73" H
				
Doors under 7-1/2" wide: stiles vary by width				

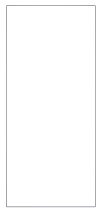
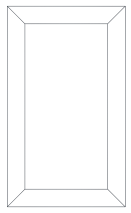
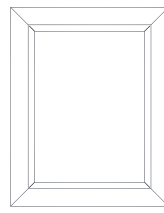
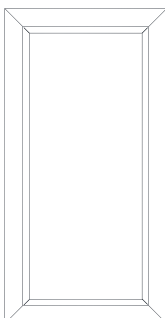
Drawer front appearance and size limits:

SLAB	Slab 2-1/2" - 18" H	DFMD	Slab 2-1/2" - <4-1/4" H	5-pc 1/4" recessed panel 4-1/4" - <5-7/16" H	5-pc solid recessed panel 5-7/16" - 18" H
					
Rail height will vary based on drawer front height					




Wood Doors

<p>Coventry (CTR)</p>  		PRICE POINT: M10				<p>Standard Edge Detail</p> 																											
		Hinges (per door)		\$0	Concealed																												
<table border="1"> <tr> <td>Type</td> <td>Mitered</td> </tr> <tr> <td>Center Panel</td> <td>3/4" thick solid wood</td> </tr> <tr> <td>Stile Width</td> <td>2-1/4"</td> </tr> <tr> <td>Rail Width</td> <td>2-1/4"</td> </tr> </table>		Type	Mitered	Center Panel	3/4" thick solid wood	Stile Width	2-1/4"	Rail Width	2-1/4"	Drawer Fronts		\$0	Slab																				
		Type	Mitered																														
Center Panel	3/4" thick solid wood																																
Stile Width	2-1/4"																																
Rail Width	2-1/4"																																
<p>Wood Species</p> <table border="1"> <tr> <td>0%</td> <td>Red Oak</td> <td></td> <td></td> </tr> <tr> <td>0%</td> <td>Beech</td> <td>7%</td> <td>Rustic</td> </tr> <tr> <td>4%</td> <td>Alder</td> <td>7%</td> <td>Rustic</td> </tr> <tr> <td>5%</td> <td>Hickory</td> <td>10%</td> <td>Rustic</td> </tr> <tr> <td>10%</td> <td>Maple</td> <td>15%</td> <td>Rustic</td> </tr> <tr> <td>20%</td> <td>Cherry</td> <td></td> <td></td> </tr> <tr> <td>30%</td> <td>Sapele</td> <td></td> <td></td> </tr> </table>		0%	Red Oak			0%	Beech	7%	Rustic	4%	Alder	7%	Rustic	5%	Hickory	10%	Rustic	10%	Maple	15%	Rustic	20%	Cherry			30%	Sapele			Prep for Glass		<p>RFG, MGD, MGDH, MGDN</p> <p>See pgs M-9 – M-10 for details</p>	
		0%	Red Oak																														
		0%	Beech	7%	Rustic																												
		4%	Alder	7%	Rustic																												
		5%	Hickory	10%	Rustic																												
		10%	Maple	15%	Rustic																												
		20%	Cherry																														
		30%	Sapele																														
<p>Paint</p> <table border="1"> <tr> <td colspan="2">Available on Red Oak or Maple +</td> </tr> <tr> <td>10%</td> <td>Curated Paints</td> </tr> <tr> <td>20%</td> <td>Pick Your Paint</td> </tr> </table>		Available on Red Oak or Maple +		10%	Curated Paints	20%	Pick Your Paint																										
		Available on Red Oak or Maple +																															
		10%	Curated Paints																														
20%	Pick Your Paint																																

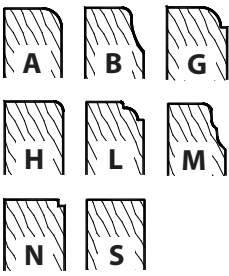

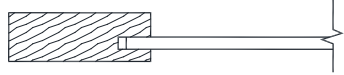
Door & panel appearance and size limits:

4" - <7" W	7" - <7-1/2" W	7-1/2" - 36" W	8-3/4" - 73" H
			
	Recessed solid panel	Raised panel	

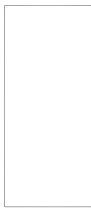
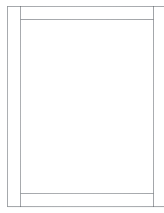
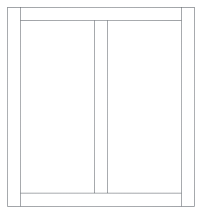
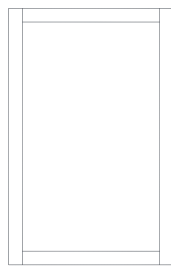
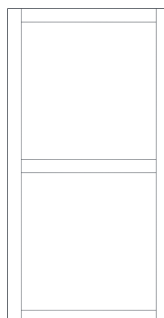
Drawer front appearance and size limits:

SLAB	Slab 2-1/2" – 18" H	DFMD	Slab 2-1/2" – <5-7/16" H	5-pc recessed panel 5-7/16" – 18" H
				
	Slab front w/beveled edge		Slab front w/beveled edge	2-1/4" W stiles & rails




Wood Doors

Duet (DUT)		PRICE POINT: M9						
	Hinges (per door)	\$0	Concealed					
	Drawer Fronts	\$0	Slab Only					
			Wood Species		Prep for Glass			
							0%	Red Oak
					0%	Beech	See pgs M-9 – M-11 for details	
					5%	Hickory		
					6%	Alder		
					10%	Maple		
					20%	Cherry		
40%	VG Fir							
Type	Mortise & Tenon		Paint					
Center Panel	1/4" thick				Available on Red Oak or Maple +			
Stile Width	2-1/4"				10%	Curated Paints		
Rail Width	4"				20%	Pick Your Paint		

Door & panel appearance and size limits:

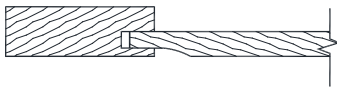
4" - <7" W	7" - 27" W	Center Mullion Added >27" - 36" W		8-13/16" - 52" H	Center Rail Added >52" - 73" H
					
Doors under 7-1/2" wide: stiles vary by width					

Drawer front appearance and size limits:

SLAB	Slab 2-1/2" – 18" H	DFMD	3-piece Slab 2-1/2" – <4-1/4" H	5-pc 1/4" recessed panel 4-1/4" – 18" H
				
Rail height will vary based on drawer front height				

Wood Doors

Duet Solid (DUTS)



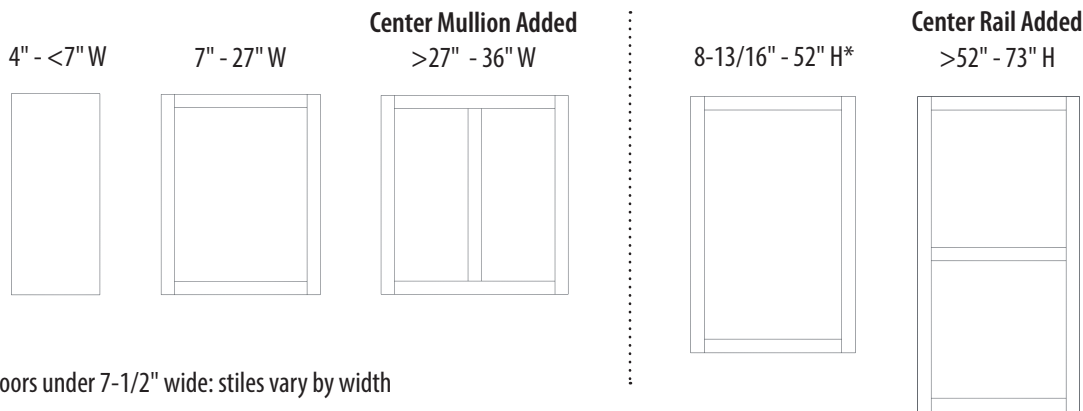
Type	Mortise & Tenon
Center Panel	3/8" thick solid wood
Stile Width	2-1/4"
Rail Width	4"

PRICE POINT: M13

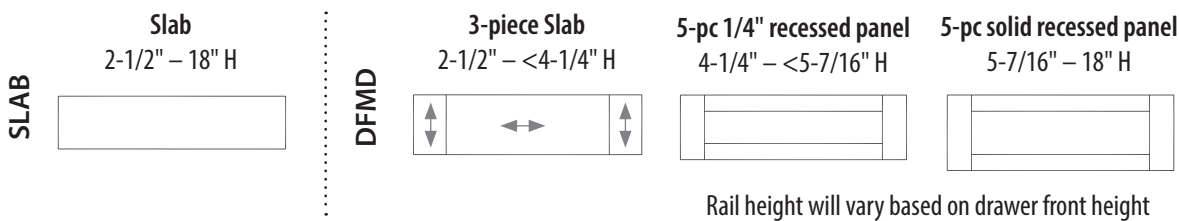
Hinges (per door)	\$0	Concealed	
	\$29	Concealed IM	
Drawer Fronts	\$0	Slab	
	\$153	DFMD	
Wood Species	0%	Red Oak	
	0%	Beech	7% Rustic
	4%	Alder	7% Rustic
	5%	Hickory	10% Rustic
	10%	Maple	15% Rustic
	20%	Cherry	
	30%	Bamboo	
	30%	Carbonized Bamboo	
	30%	Sapele	
	35%	Rift White Oak	
40%	VG Fir		

Edge Details			
Prep for Glass	RFG, MGD, MGDC, MGDH, MGDX		
	See pgs M-9 – M-11 for details		
Paint	Available on Red Oak or Maple +		
	10%	Curated Paints	
	20%	Pick Your Paint	

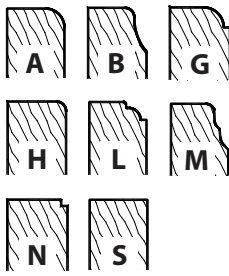


Door & panel appearance and size limits:




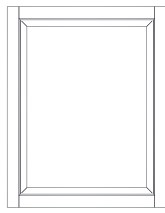
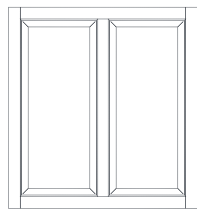
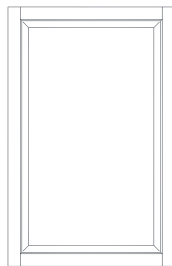
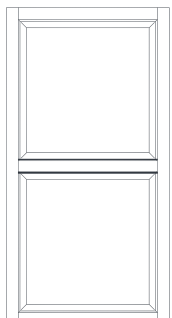
Drawer front appearance and size limits:







Wood Doors

Emerson (EME)		PRICE POINT: M9			
 	Hinges (per door)	\$0	Concealed		
	Drawer Fronts	\$0	Slab		
		\$153	DFMD		
	Wood Species	0% Red Oak			
		0%	Hickory	5%	Rustic
		0%	Beech	7%	Rustic
		4%	Alder	7%	Rustic
		10%	Maple	15%	Rustic
		20% Cherry			
		30% Sapele			
		40% Black Walnut			
Type	Mortise & Tenon				
Center Panel	3/4" thick solid wood				
Stile Width	3"				
Rail Width	3"				
Prep for Glass	RFG, MGD, MGDC, MGDH, MGDN, MGDX See pgs M-9 – M-11 for details				
Paint	Available on Red Oak or Maple + 10% Curated Paints 20% Pick Your Paint				


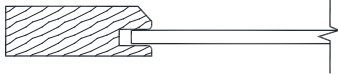
























Door & panel appearance and size limits:

4" - <9" W	9" - 27" W	Center Mullion Added >27" - 36" W	8-15/16" - 52" H	Center Rail Added >52" - 73" H
				
Doors under 7-1/2" wide: stiles vary by width				

Drawer front appearance and size limits:


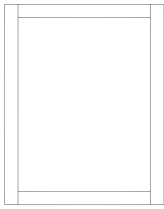
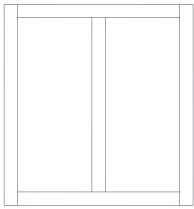
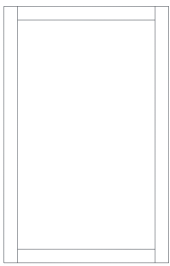
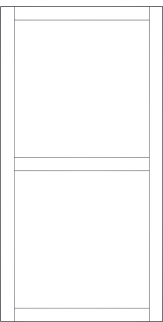
SLAB	Slab 2-1/2" – 18" H	DFMD	Slab 2-1/2" – <4-1/4" H	5-pc 1/4" recessed panel 4-1/4" – <5-7/16" H	5-pc solid raised panel 5-7/16" – 18" H
				Rail height will vary based on drawer front height	

Wood Doors



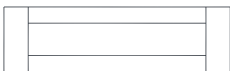
Equinox (EQU)														
 	PRICE POINT: M3		<table border="1"> <tr> <td rowspan="3" style="text-align: center;">Edge Details</td> <td> A</td> <td> B</td> <td> G</td> </tr> <tr> <td> H</td> <td> L</td> <td> M</td> </tr> <tr> <td> N</td> <td> S</td> <td></td> </tr> </table>		Edge Details	 A	 B	 G	 H	 L	 M	 N	 S	
	Edge Details	 A				 B	 G							
		 H				 L	 M							
		 N	 S											
	Hinges (per door)	\$0	Concealed	Prep for Glass										
		\$29	Concealed IM											
	Drawer Fronts	\$0	Slab Only	RFG, MGD, MGDH, MGDN										
\$153		DFMD	See pgs M-9 – M-10 for details											
Wood Species	0%	Red Oak	Paint											
	0%	Beech												
	0%	Hickory												
	6%	Alder												
	10%	Maple												
	20%	Cherry												
		Available on Red Oak or Maple +												
		10%	Curated Paints											
		20%	Pick Your Paint											

Type	Mortise & Tenon
Center Panel	1/4" thick
Stile Width	2-1/4"
Rail Width	2-1/4"

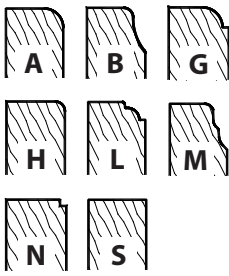

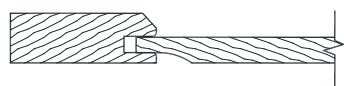
Door & panel appearance and size limits:

4" - <7" W	7" - 27" W	Center Mullion Added >27" - 36" W	8-3/4" - 52" H	Center Rail Added >52" - 73" H
				


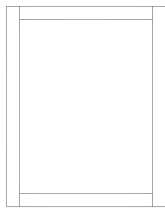
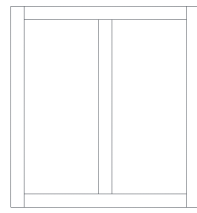
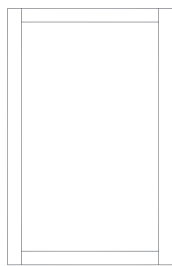
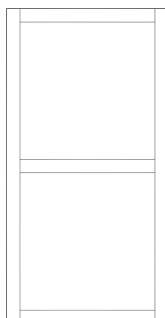
Drawer front appearance and size limits:

SLAB	Slab 2-1/2" - 18" H	DFMD	Slab 2-1/2" - <4-1/4" H	5-pc 1/4" recessed panel 4-1/4" - 18" H
				
Rail height will vary based on drawer front height				



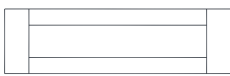
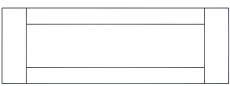
Wood Doors

Equinox Solid (EQU)		PRICE POINT: M6					
 	Hinges (per door)	\$0	Concealed				
	Drawer Fronts	\$153	DFMD				
Wood Species		0% Red Oak		Prep for Glass			
		0% Hickory	5%			Rustic	
		0% Beech	7%			Rustic	
		4% Alder	7%			Rustic	
		10% Maple	15%			Rustic	
		20% Cherry				Paint	
		30% Bamboo					
		30% Carbonized Bamboo					
		30% Sapele					
		35% Rift White Oak					
40% Black Walnut							
		Available on Red Oak or Maple +					
		10%	Curated Paints				
		20%	Pick Your Paint				



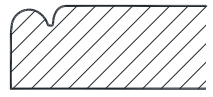
Door & panel appearance and size limits:

4" - <7" W	7" - 27" W	Center Mullion Added >27" - 36" W		8-3/4" - 52" H	Center Rail Added >52" - 73" H
					


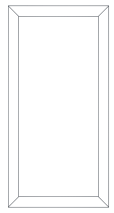
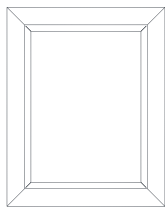
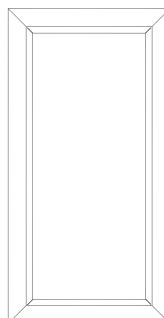
Drawer front appearance and size limits:

SLAB	Slab 2-1/2" - 18" H	DFMD	Slab 2-1/2" - <4-1/4" H	5-pc 1/4" recessed panel 4-1/4" - <5-7/16" H	5-pc solid recessed panel 5-7/16" - 18" H
					
Rail height will vary based on drawer front height					




Wood Doors

<p>Fairfax (FFX)</p>  		PRICE POINT: M13				<p>Standard Edge Detail</p> 							
		Hinges (per door)		\$0	Concealed								
		Drawer Fronts		\$0	Slab								
				\$0	DFMD								
		Wood Species		0% Red Oak									
				0% Beech	7%	Rustic							
				4% Alder	7%	Rustic							
				5% Hickory	10%	Rustic							
				10% Maple	15%	Rustic							
				20% Cherry									
				30% Sapele									
				<p>Prep for Glass</p> <p>RFG, MGD, MGDH, MGDN</p> <p>See pgs M-9 – M-10 for details</p>									
				<p>Paint</p> <p>Available on Red Oak or Maple +</p> <p>10% Curated Paints</p> <p>20% Pick Your Paint</p>									
<table border="1"> <tr> <td>Type</td> <td>Mitered</td> </tr> <tr> <td>Center Panel</td> <td>3/4" thick solid wood</td> </tr> <tr> <td>Stile Width</td> <td>3"</td> </tr> <tr> <td>Rail Width</td> <td>3"</td> </tr> </table>		Type	Mitered	Center Panel	3/4" thick solid wood	Stile Width	3"	Rail Width	3"				
Type	Mitered												
Center Panel	3/4" thick solid wood												
Stile Width	3"												
Rail Width	3"												


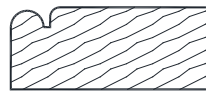
Door & panel appearance and size limits:

4" - <7" W	1-3/4" Stile & Rail 7" - <9" W	3" Stile & Rail 9" - 36" W	8-3/4" - 73" H
			
	Recessed solid panel	Raised panel	


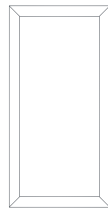
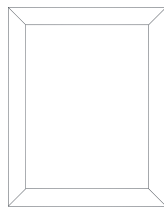
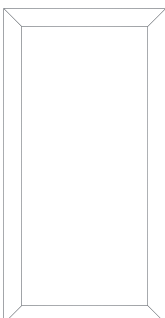
Drawer front appearance and size limits:

SLAB	Slab 2-1/2" - 18" H	DFMD	Slab 2-1/2" - <5-7/16" H	5-pc solid recessed panel 5-7/16" - 18" H
				
			1-3/4" W stiles & rails	




Wood Doors

<p>Falmouth (FLM)</p> 		PRICE POINT: M9		<p>Standard Edge Detail</p> 						
		<p>Hinges (per door)</p>	<p>\$0 Concealed</p> <p>\$29 Concealed IM</p>		<p>Prep for Glass</p> <p>RFG, MGD, MGDH, MGDN</p> <p>See pgs M-9 – M-10 for details</p>					
<p>Drawer Fronts</p>	<p>\$0 Slab Only</p> <p>\$0 DFMD</p>	<p>Paint</p> <p>Available on Red Oak or Maple +</p> <p>10% Curated Paints</p> <p>20% Pick Your Paint</p>								
<p>Wood Species</p>	<p>0% Red Oak</p>									
	<p>0% Beech</p>									
	<p>5% Hickory</p>									
	<p>6% Alder</p>									
	<p>10% Maple</p>									
<p>20% Cherry</p>										
<table border="1"> <tr> <td>Type</td> <td>Mitered</td> </tr> <tr> <td>Center Panel</td> <td>1/4" thick</td> </tr> <tr> <td>Stile Width</td> <td>3"</td> </tr> <tr> <td>Rail Width</td> <td>3"</td> </tr> </table>	Type	Mitered	Center Panel	1/4" thick	Stile Width	3"	Rail Width	3"		
Type	Mitered									
Center Panel	1/4" thick									
Stile Width	3"									
Rail Width	3"									



Door & panel appearance and size limits:

4" - <7" W	1-3/4" Stile & Rail 7" - <8-1/2" W	3" Stile & Rail 8-1/2" - 36" W	8-3/4" - 73" H
			


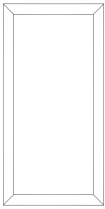
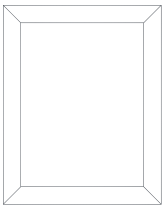
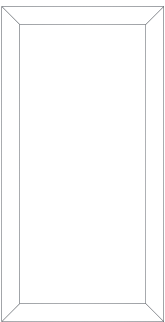
Drawer front appearance and size limits:

<p>SLAB</p>	<p>Slab</p> <p>2-1/2" – 18" H</p> 	<p>DFMD</p>	<p>Slab</p> <p>2-1/2" – <5-7/16" H</p> 	<p>5-pc 1/4" recessed panel</p> <p>5-7/16" – 18" H</p>  <p>1-3/4" W stiles & rails</p>




Wood Doors

<p>Falmouth Solid (FLMS)</p> 		PRICE POINT: M13				<p>Standard Edge Detail</p> 								
		Hinges (per door)		\$0	Concealed									
<p>Type</p> <table border="1"> <tr> <td></td> <td>Mitered</td> </tr> <tr> <td>Center Panel</td> <td>3/8" thick solid wood</td> </tr> <tr> <td>Stile Width</td> <td>3"</td> </tr> <tr> <td>Rail Width</td> <td>3"</td> </tr> </table>			Mitered	Center Panel	3/8" thick solid wood	Stile Width	3"	Rail Width	3"	Drawer Fronts		\$0	Slab	
			Mitered											
Center Panel	3/8" thick solid wood													
Stile Width	3"													
Rail Width	3"													
				\$0	DFMD									
<p>Wood Species</p>		0%		Red Oak										
		0%		Beech	7%	Rustic								
		4%		Alder	7%	Rustic								
		5%		Hickory	10%	Rustic								
		10%		Maple	15%	Rustic								
		20%		Cherry										
		30%		Sapele										
				<p>Prep for Glass</p> <p>0% RFG, MGD, MGDH, MGDN</p> <p>See pgs M-9 – M-10 for details</p>										
				<p>Paint</p> <p>Available on Red Oak or Maple +</p> <table border="1"> <tr> <td>10%</td> <td>Curated Paints</td> </tr> <tr> <td>20%</td> <td>Pick Your Paint</td> </tr> </table>		10%	Curated Paints	20%	Pick Your Paint					
10%	Curated Paints													
20%	Pick Your Paint													


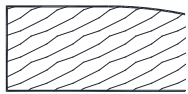
Door & panel appearance and size limits:

4" - <7" W	1-3/4" Stile & Rail 7" - <8-1/2" W	3" Stile & Rail 8-1/2" - 36" W	8-3/4" - 73" H
			


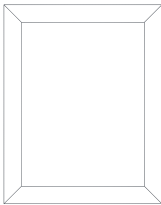
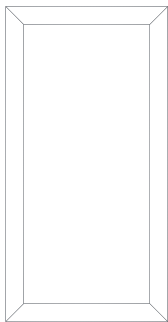
Drawer front appearance and size limits:

SLAB	<p>Slab 2-1/2" – 18" H</p> 	DFMD	<p>Slab 2-1/2" – <5-7/16" H</p> 	<p>5-pc solid recessed panel 5-7/16" – 18" H</p>  <p>1-3/4" W stiles & rails</p>
-------------	---	-------------	---	--




Wood Doors

Galloway (GAL)													
	PRICE POINT: M5												
	Hinges (per door)	\$0	Concealed	Standard Edge Detail									
		\$29	Concealed IM										
	Drawer Fronts	\$0	Slab Only	Prep for Glass	RFG See pg M-9 for details								
		\$0	DFMD										
	Wood Species	0%	Red Oak	Paint	Available on Red Oak or Maple +								
		0%	Beech		10%	Curated Paints							
5%		Hickory	20%		Pick Your Paint								
6%		Alder											
10%		Maple											
20%		Cherry											
<table border="1"> <tr> <td>Type</td> <td>Mitered</td> </tr> <tr> <td>Center Panel</td> <td>1/4" thick</td> </tr> <tr> <td>Stile Width</td> <td>2-1/4"</td> </tr> <tr> <td>Rail Width</td> <td>2-1/4"</td> </tr> </table>		Type	Mitered	Center Panel	1/4" thick	Stile Width	2-1/4"	Rail Width	2-1/4"				
Type	Mitered												
Center Panel	1/4" thick												
Stile Width	2-1/4"												
Rail Width	2-1/4"												

Door & panel appearance and size limits:

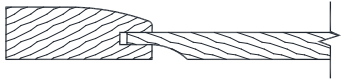
4" - <7" W	7" - 36" W	8-3/4" - 73" H
		

Drawer front appearance and size limits:

SLAB	Slab 2-1/2" - 18" H 	DFMD	Slab 2-1/2" - <5-7/16" H 	5-pc 1/4" recessed panel 5-7/16" - 18" H  1-3/4" W stiles & rails

Wood Doors

Galloway Solid (GALS)

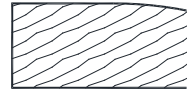


Type	Mitered
Center Panel	3/8" thick solid wood
Stile Width	2-1/4"
Rail Width	2-1/4"

PRICE POINT: M10

Hinges (per door)	\$0	Concealed	
	\$29	Concealed IM	
Drawer Fronts	\$0	Slab	
	\$0	DFMD	
Wood Species	0%	Red Oak	
	0%	Beech	7% Rustic
	4%	Alder	7% Rustic
	5%	Hickory	10% Rustic
	10%	Maple	15% Rustic
	20%	Cherry	
	30%	Sapele	
	35%	Rift White Oak	

Standard
Edge
Detail



Prep
for
Glass

RFG

See pg M-9 for details

Paint

Available on Red Oak or Maple +

10% Curated Paints

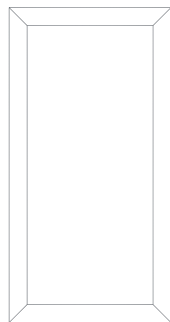
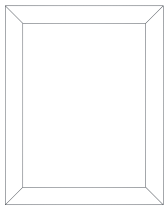
20% Pick Your Paint

Door & panel appearance and size limits:

4" - <7" W

7" - 36" W

8-3/4" - 73" H



Drawer front appearance and size limits:

SLAB

Slab

2-1/2" - 18" H



DFMD

Slab

2-1/2" - <5-7/16" H



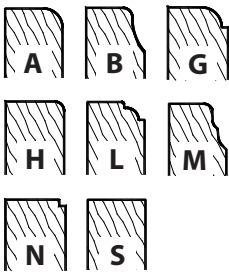

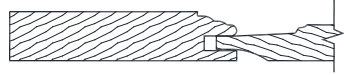
5-pc solid recessed panel

5-7/16" - 18" H


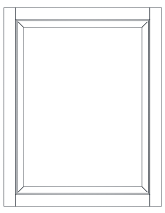
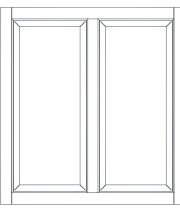
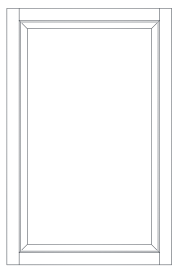
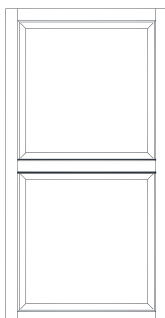


1-3/4" W stiles & rails





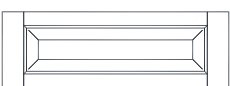
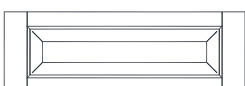
Wood Doors

Garrison (GAR)		PRICE POINT: M15				
 	Hinges (per door)	\$0	Concealed			Prep for Glass
	Drawer Fronts	\$0	Slab	See pgs M-9 – M-10 for details		
Wood Species	0%	Red Oak			Paint	Available on Red Oak or Maple +
	0%	Hickory	5%	Rustic		10% Curated Paints
	0%	Beech	7%	Rustic		20% Pick Your Paint
	4%	Alder	7%	Rustic		
	10%	Maple	15%	Rustic		
	20%	Cherry				
	30%	Sapele				
	40%	VG Fir				
Type	Mortise & Tenon					
Center Panel	7/16" solid wood					
Stile Width	2-1/4"					
Rail Width	3-1/2"					


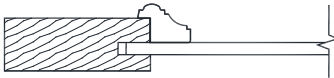
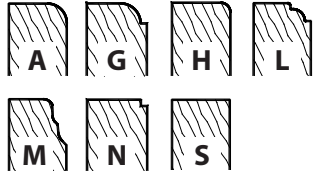
Door & panel appearance and size limits:

4" - <7" W	7" - 27" W	Center Mullion Added >27" - 36" W	8-3/4" - 52" H	Center Rail Added >52" - 73" H
				


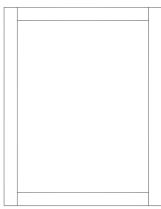
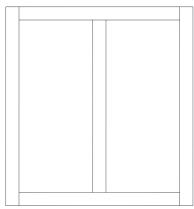
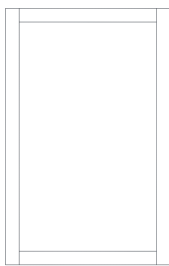
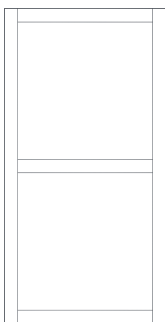
Drawer front appearance and size limits:

SLAB	Slab 2-1/2" – 18" H	DFMD	Slab 2-1/2" – <4-1/4" H	5-pc 1/4" recessed panel 4-1/4" – <6-7/16" H	5-pc solid raised panel 6-7/16" – <8-1/16" H	5-pc solid raised panel 8-1/16" – 18" H
						
			No chamfer on stiles	No chamfer on stiles	Chamfered stiles	
5-pc fronts: rail height will vary based on drawer front height						




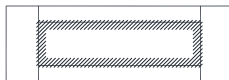
Wood Doors

<p>Gettysburg (GET)</p>  		<p>PRICE POINT: M13</p>		<p>Edge Details</p> 									
		<p>Hinges (per door)</p>	<p>\$0 Concealed</p> <p>\$29 Concealed IM</p>			<p>Drawer Fronts</p>	<p>\$0 Slab Only</p> <p>\$153 DFMD</p>						
<table border="1"> <thead> <tr> <th>Type</th> <th>M&T Applied Mldg.</th> </tr> </thead> <tbody> <tr> <td>Center Panel</td> <td>1/4" thick</td> </tr> <tr> <td>Stile Width</td> <td>2-1/4"</td> </tr> <tr> <td>Rail Width</td> <td>2-1/4"</td> </tr> </tbody> </table>		Type	M&T Applied Mldg.	Center Panel	1/4" thick	Stile Width	2-1/4"	Rail Width	2-1/4"	<p>Wood Species</p>		<p>Prep for Glass</p> <p>RFG, MGD, MGDH</p> <p>See pgs M-9 – M-10 for details</p>	
		Type	M&T Applied Mldg.										
		Center Panel	1/4" thick										
		Stile Width	2-1/4"										
		Rail Width	2-1/4"										
		<p>0% Red Oak</p> <p>0% Beech</p> <p>5% Hickory</p> <p>6% Alder</p> <p>10% Maple</p> <p>20% Cherry</p>	<p>Paint</p> <p>Available on Red Oak or Maple +</p> <p>10% Curated Paints</p> <p>20% Pick Your Paint</p>										
<p>0% Red Oak</p> <p>0% Beech</p> <p>5% Hickory</p> <p>6% Alder</p> <p>10% Maple</p> <p>20% Cherry</p>													
<p>0% Red Oak</p> <p>0% Beech</p> <p>5% Hickory</p> <p>6% Alder</p> <p>10% Maple</p> <p>20% Cherry</p>													
<p>0% Red Oak</p> <p>0% Beech</p> <p>5% Hickory</p> <p>6% Alder</p> <p>10% Maple</p> <p>20% Cherry</p>													

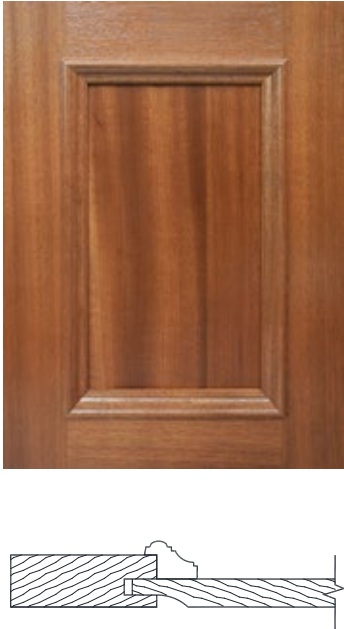
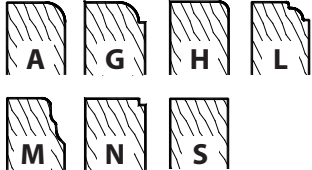
Door & panel appearance and size limits:

<p>4" - <7" W</p> 	<p>7" - 27" W</p> 	<p>Center Mullion Added</p> <p>>27" - 36" W</p> 		<p>8-3/4" - 52" H</p> 	<p>Center Rail Added</p> <p>>52" - 73" H</p> 
<p>Doors under 7-1/2" wide: stiles vary by width</p>					

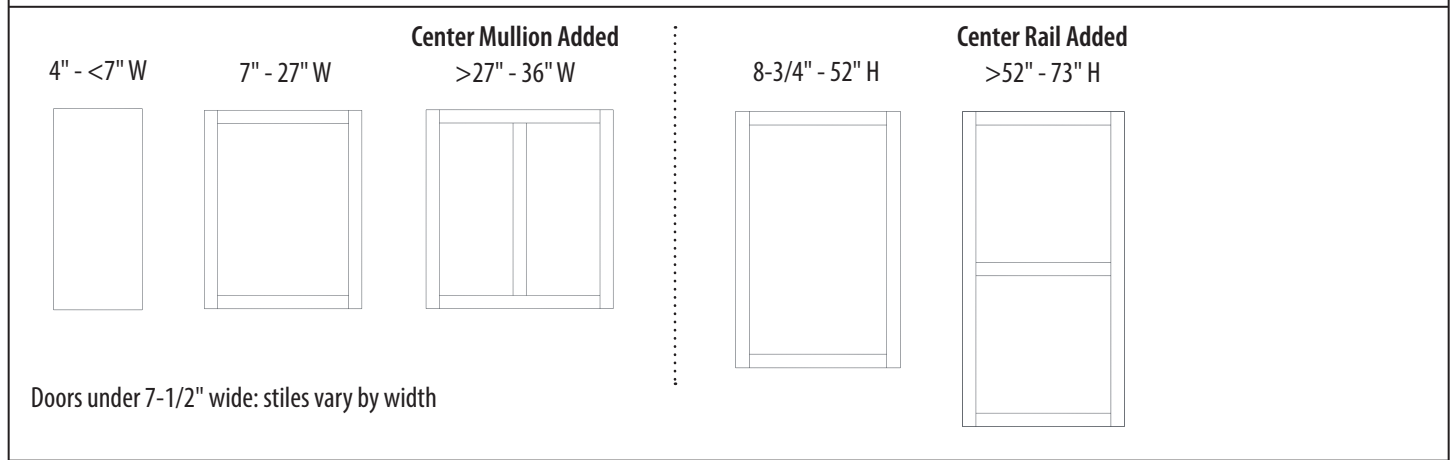
Drawer front appearance and size limits:

<p>SLAB</p>	<p>Slab</p> <p>2-1/2" - 18" H</p> 	<p>DFMD</p>	<p>Slab</p> <p>2-1/2" - <4-1/4" H</p> 	<p>3-piece slab w/mldg</p> <p>4-1/4" - <5-7/16" H</p> 	<p>5-piece 1/4" recessed panel w/mldg</p> <p>5-7/16" - 18" H</p>  <p>Rail height will vary based on drawer front height</p>

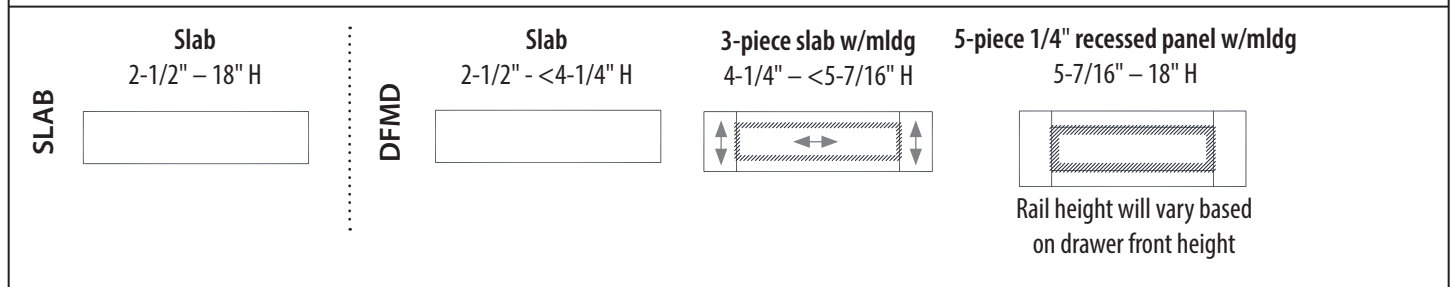
Wood Doors

Gettysburg Solid (GETS) 		PRICE POINT: M15				Edge Details 			
		Hinges (per door) \$0 Concealed \$29 Concealed IM		Drawer Fronts \$0 Slab \$153 DFMD					
Type M&T Applied Mldg. Center Panel 3/8" thick solid wood Stile Width 2-1/4" Rail Width 2-1/4"						Paint Available on Red Oak or Maple + 10% Curated Paints 20% Pick Your Paint			


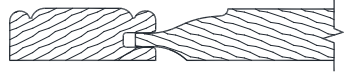
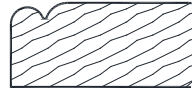
Door & panel appearance and size limits:




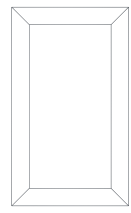
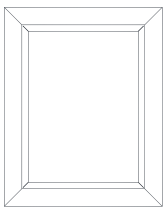
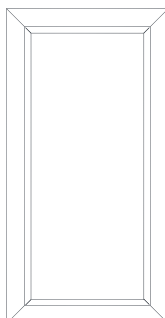
Drawer front appearance and size limits:






Wood Doors

<p>Hampton (HMPT)</p>  		PRICE POINT: M10				<p>Standard Edge Detail</p> 									
		Hinges (per door)		\$0	Concealed										
		\$29		Concealed IM											
		Drawer Fronts		\$0	Slab										
				\$153		DFMD									
		Wood Species		0%		Red Oak									
				0%		Beech	7%	Rustic							
				4%		Alder	7%	Rustic							
				5%		Hickory	10%	Rustic							
				10%		Maple	15%	Rustic							
				20%		Cherry									
				30%		Sapele									
						<p>Prep for Glass</p> <p>RFG, MGD, MGDH, MGDN</p> <p>See pgs M-9 – M-10 for details</p>									
						<p>Paint</p> <p>Available on Red Oak or Maple +</p> <p>10% Curated Paints</p> <p>20% Pick Your Paint</p>									
<table border="1"> <tr> <td>Type</td> <td>Mitered</td> </tr> <tr> <td>Center Panel</td> <td>3/4" thick solid wood</td> </tr> <tr> <td>Stile Width</td> <td>2-1/4"</td> </tr> <tr> <td>Rail Width</td> <td>2-1/4"</td> </tr> </table>		Type	Mitered	Center Panel	3/4" thick solid wood	Stile Width	2-1/4"	Rail Width	2-1/4"						
Type	Mitered														
Center Panel	3/4" thick solid wood														
Stile Width	2-1/4"														
Rail Width	2-1/4"														



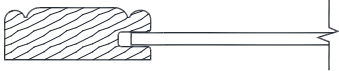
Door & panel appearance and size limits:

4" - <7" W	7" - <7-1/2" W	7-1/2" - 36" W		8-3/4" - 73" H
				
	Recessed solid panel	Raised panel		


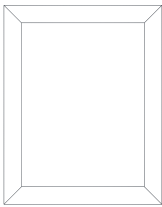
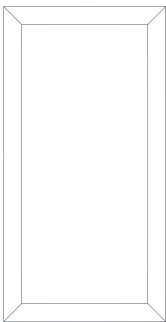
Drawer front appearance and size limits:

SLAB	Slab 2-1/2" – 18" H		Slab 2-1/2" – <5-7/16" H	5-pc recessed panel 5-7/16" – 18" H
				
			2-1/4" W stiles & rails	




Wood Doors

Houston (HOU)		PRICE POINT: M5		Standard Edge Detail 
 	Hinges (per door)	\$0	Concealed	
	Drawer Fronts	\$0	Slab Only	
Wood Species		0%	Red Oak	
		0%	Beech	
		5%	Hickory	
		6%	Alder	
		10%	Maple	
		20%	Cherry	
Type	Mitered			
Center Panel	1/4" thick			
Stile Width	2-1/4"			
Rail Width	2-1/4"			
Prep for Glass	RFG, MGD, MGDH, MGDN See pgs M-9 – M-10 for details			
Paint	Available on Red Oak or Maple + 10% Curated Paints 20% Pick Your Paint			


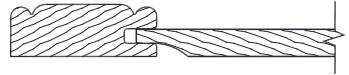
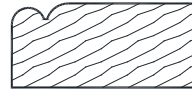
Door & panel appearance and size limits:

4" - <7" W	7" - 36" W	8-3/4" - 73" H
		

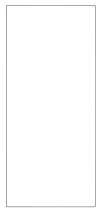
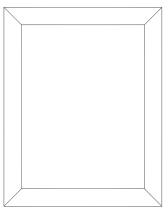
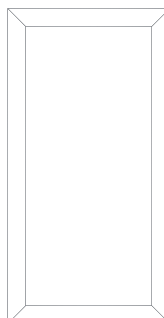
Drawer front appearance and size limits:

SLAB	Slab 2-1/2" – 18" H 	DFMD	Slab 2-1/2" – <5-7/16" H 	5-pc 1/4" recessed panel 5-7/16" – 18" H  2-1/4" W stiles & rails
-------------	--	-------------	---	---




Wood Doors

<p>Houston Solid (HOUS)</p>  		PRICE POINT: M10				<p>Standard Edge Detail</p> 																											
		Hinges (per door)		\$0	Concealed																												
<table border="1"> <tr> <td>Type</td> <td>Mitered</td> </tr> <tr> <td>Center Panel</td> <td>3/8" thick solid wood</td> </tr> <tr> <td>Stile Width</td> <td>2-1/4"</td> </tr> <tr> <td>Rail Width</td> <td>2-1/4"</td> </tr> </table>		Type	Mitered	Center Panel	3/8" thick solid wood	Stile Width	2-1/4"	Rail Width	2-1/4"	Drawer Fronts		\$0	Slab																				
		Type	Mitered																														
Center Panel	3/8" thick solid wood																																
Stile Width	2-1/4"																																
Rail Width	2-1/4"																																
<p>Wood Species</p> <table border="1"> <tr> <td>0%</td> <td>Red Oak</td> <td></td> <td></td> </tr> <tr> <td>0%</td> <td>Beech</td> <td>7%</td> <td>Rustic</td> </tr> <tr> <td>4%</td> <td>Alder</td> <td>7%</td> <td>Rustic</td> </tr> <tr> <td>5%</td> <td>Hickory</td> <td>10%</td> <td>Rustic</td> </tr> <tr> <td>10%</td> <td>Maple</td> <td>15%</td> <td>Rustic</td> </tr> <tr> <td>20%</td> <td>Cherry</td> <td></td> <td></td> </tr> <tr> <td>30%</td> <td>Sapele</td> <td></td> <td></td> </tr> </table>		0%	Red Oak			0%	Beech	7%	Rustic	4%	Alder	7%	Rustic	5%	Hickory	10%	Rustic	10%	Maple	15%	Rustic	20%	Cherry			30%	Sapele			Prep for Glass		<p>RFG, MGD, MGDH, MGDN</p> <p>See pgs M-9 – M-10 for details</p>	
		0%	Red Oak																														
		0%	Beech	7%	Rustic																												
		4%	Alder	7%	Rustic																												
		5%	Hickory	10%	Rustic																												
		10%	Maple	15%	Rustic																												
		20%	Cherry																														
		30%	Sapele																														
<p>Paint</p> <table border="1"> <tr> <td colspan="2">Available on Red Oak or Maple +</td> </tr> <tr> <td>10%</td> <td>Curated Paints</td> </tr> <tr> <td>20%</td> <td>Pick Your Paint</td> </tr> </table>		Available on Red Oak or Maple +		10%	Curated Paints	20%	Pick Your Paint																										
		Available on Red Oak or Maple +																															
		10%	Curated Paints																														
20%	Pick Your Paint																																


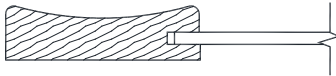
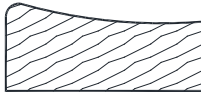
Door & panel appearance and size limits:

4" - <7" W	7" - 36" W	8-3/4" - 73" H
		



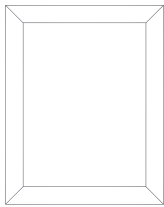
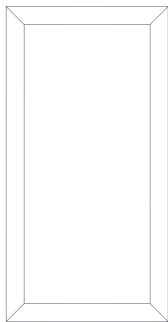
Drawer front appearance and size limits:

SLAB	Slab 2-1/2" – 18" H	DFMD	Slab 2-1/2" – <5-7/16" H	5-pc recessed panel 5-7/16" – 18" H
				
2-1/4" W stiles & rails				




Wood Doors

<p>Kennedy (KEN)</p>  		<p>PRICE POINT: M9</p>		<p>Standard Edge Detail</p> 
		<p>Hinges (per door)</p>	<p>\$0 Concealed</p> <p>\$29 Concealed IM</p>	
		<p>Drawer Fronts</p>	<p>\$0 Slab Only</p> <p>\$0 DFMD</p>	<p>Prep for Glass</p> <p>RFG</p> <p>See pg M-9 for details</p>
		<p>Wood Species</p>	<p>0% Red Oak</p> <p>0% Beech</p> <p>5% Hickory</p> <p>6% Alder</p> <p>10% Maple</p> <p>20% Cherry</p>	
<p>Type</p>	<p>Mitered</p>			<p>Paint</p> <p>Available on Red Oak or Maple +</p> <p>10% Curated Paints</p> <p>20% Pick Your Paint</p>
<p>Center Panel</p>	<p>1/4" thick</p>			
<p>Stile Width</p>	<p>3"</p>			
<p>Rail Width</p>	<p>3"</p>			


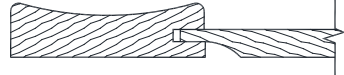
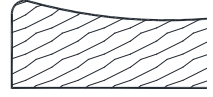
Door & panel appearance and size limits:

<p>4" - <7" W</p> 	<p>1-3/4" Stile & Rail</p> <p>7" - <8-1/2" W</p> 	<p>3" Stile & Rail</p> <p>8-1/2" - 36" W</p> 	<p>.....</p>	<p>8-3/4" - 73" H</p> 
--	--	---	--------------	---


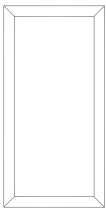
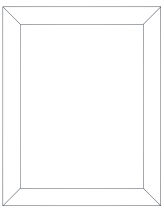
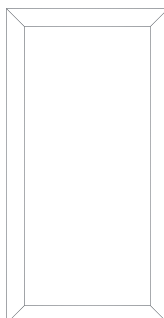
Drawer front appearance and size limits:

<p>SLAB</p>	<p>Slab</p> <p>2-1/2" - 18" H</p> 	<p>.....</p> <p>DFMD</p>	<p>Slab</p> <p>2-1/2" - <5-7/16" H</p> 	<p>5-pc 1/4" recessed panel</p> <p>5-7/16" - 18" H</p>  <p>1-3/4" W stiles & rails</p>
--------------------	--	---------------------------------	--	---




Wood Doors

<p>Kennedy Solid (KENS)</p>  		PRICE POINT: M13				<p>Standard Edge Detail</p> 																																			
		<p>Hinges (per door)</p> <table border="1"> <tr> <td>\$0</td> <td>Concealed</td> </tr> <tr> <td>\$29</td> <td>Concealed IM</td> </tr> </table>		\$0	Concealed		\$29	Concealed IM	<p>Drawer Fronts</p> <table border="1"> <tr> <td>\$0</td> <td>Slab</td> </tr> <tr> <td>\$0</td> <td>DFMD</td> </tr> </table>		\$0	Slab	\$0	DFMD	<p>Prep for Glass</p> <p style="text-align: center;">RFG</p> <p style="text-align: center;">See pg M-9 for details</p>																										
\$0	Concealed																																								
\$29	Concealed IM																																								
\$0	Slab																																								
\$0	DFMD																																								
<p>Wood Species</p> <table border="1"> <tr> <td>0%</td> <td>Red Oak</td> <td></td> <td></td> </tr> <tr> <td>0%</td> <td>Beech</td> <td>7%</td> <td>Rustic</td> </tr> <tr> <td>4%</td> <td>Alder</td> <td>7%</td> <td>Rustic</td> </tr> <tr> <td>5%</td> <td>Hickory</td> <td>10%</td> <td>Rustic</td> </tr> <tr> <td>10%</td> <td>Maple</td> <td>15%</td> <td>Rustic</td> </tr> <tr> <td>20%</td> <td>Cherry</td> <td></td> <td></td> </tr> <tr> <td>30%</td> <td>Sapele</td> <td></td> <td></td> </tr> <tr> <td>35%</td> <td>Rift White Oak</td> <td></td> <td></td> </tr> </table>		0%	Red Oak			0%	Beech	7%	Rustic	4%	Alder	7%	Rustic	5%	Hickory	10%	Rustic	10%	Maple	15%	Rustic	20%	Cherry			30%	Sapele			35%	Rift White Oak			<p>Paint</p> <table border="1"> <tr> <td colspan="2">Available on Red Oak or Maple +</td> </tr> <tr> <td>10%</td> <td>Curated Paints</td> </tr> <tr> <td>20%</td> <td>Pick Your Paint</td> </tr> </table>		Available on Red Oak or Maple +		10%	Curated Paints	20%	Pick Your Paint
0%	Red Oak																																								
0%	Beech	7%	Rustic																																						
4%	Alder	7%	Rustic																																						
5%	Hickory	10%	Rustic																																						
10%	Maple	15%	Rustic																																						
20%	Cherry																																								
30%	Sapele																																								
35%	Rift White Oak																																								
Available on Red Oak or Maple +																																									
10%	Curated Paints																																								
20%	Pick Your Paint																																								
<table border="1"> <tr> <td>Type</td> <td>Mitered</td> </tr> <tr> <td>Center Panel</td> <td>3/8" thick solid wood</td> </tr> <tr> <td>Stile Width</td> <td>3"</td> </tr> <tr> <td>Rail Width</td> <td>3"</td> </tr> </table>		Type	Mitered	Center Panel	3/8" thick solid wood	Stile Width	3"	Rail Width	3"																																
Type	Mitered																																								
Center Panel	3/8" thick solid wood																																								
Stile Width	3"																																								
Rail Width	3"																																								


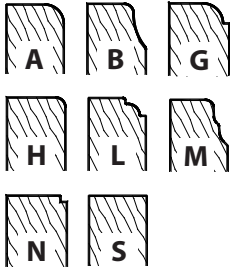
Door & panel appearance and size limits:

4" - <7" W	1-3/4" Stile & Rail 7" - <8-1/2" W	3" Stile & Rail 8-1/2" - 36" W	8-3/4" - 73" H
			

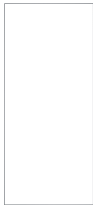
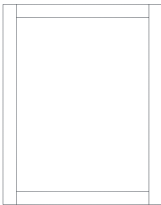
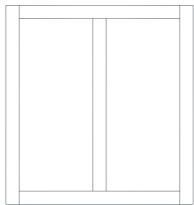
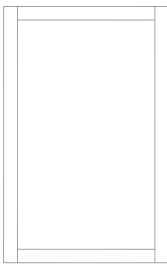
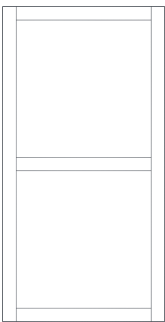
Drawer front appearance and size limits:

SLAB	<p>Slab 2-1/2" - 18" H</p> 	DFMD	<p>Slab 2-1/2" - <5-7/16" H</p> 	<p>5-pc recessed panel 5-7/16" - 18" H</p> 
			1-3/4" W stiles & rails	




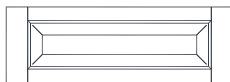

Wood Doors

<p>Kingston Solid (KNGS)</p> 		PRICE POINT: M15							
		Hinges (per door)		\$0	Concealed				Edge Details
Drawer Fronts		\$0	Slab		Prep for Glass				
		\$0	DFMD					RFG, MGD, MGDH, MGDN See pgs M-9 – M-10 for details	
Wood Species		0%		Red Oak		Paint			
		0%		Hickory	5%				Rustic
		0%		Beech	7%				Rustic
		4%		Alder	7%				Rustic
		10%		Maple	15%				Rustic
		20%		Cherry					
		30%		Sapele					
40%		VG Fir							
Type		Mortise & Tenon		Available on Red Oak or Maple + 10% Curated Paints 20% Pick Your Paint					
Center Panel		3/8" thick solid wood							
Stile Width		2-1/4"							
Rail Width		3-1/2"							

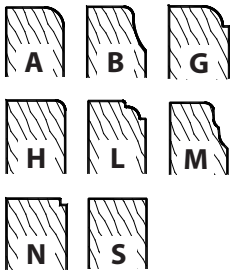

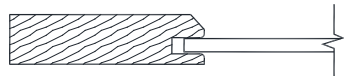
Door & panel appearance and size limits:

4" - <7" W	7" - 27" W	Center Mullion Added >27" - 36" W	8-3/4" - 52" H	Center Rail Added >52" - 73" H
				
Doors under 7-1/2" wide: stiles vary by width				

Drawer front appearance and size limits:



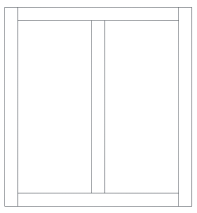
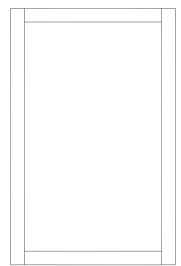
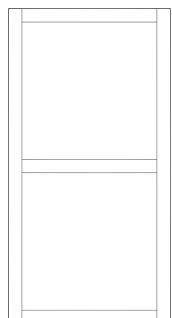
SLAB	Slab 2-1/2" – 18" H	DFMD	Slab 2-1/2" – <4-1/4" H	5-pc 1/4" recessed panel 4-1/4" – <6-7/16" H	5-pc solid raised panel 6-7/16" – <8-1/16" H	5-pc solid raised panel 8-1/16" – 18" H
						
		No chamfer on stiles		No chamfer on stiles		Chamfered stiles
Rail height will vary based on drawer front height						

Wood Doors



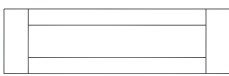
Lynden (LYN)		PRICE POINT: M8				
 	Hinges (per door)	\$0	Concealed			
		\$29	Concealed IM			
	Drawer Fronts	\$0	Slab Only			
		\$153	DFMD			
	Wood Species	0%	Red Oak			
		0%	Beech			
		0%	Hickory			
6%		Alder				
10%		Maple				
	20%	Cherry				
				Prep for Glass	RFG, MGD, MGDH, MGDN See pgs M-9 – M-10 for details	
					Paint	Available on Red Oak or Maple +
				10%		Curated Paints
				20%		Pick Your Paint

Type	Mortise & Tenon
Center Panel	1/4" thick
Stile Width	3"
Rail Width	3"

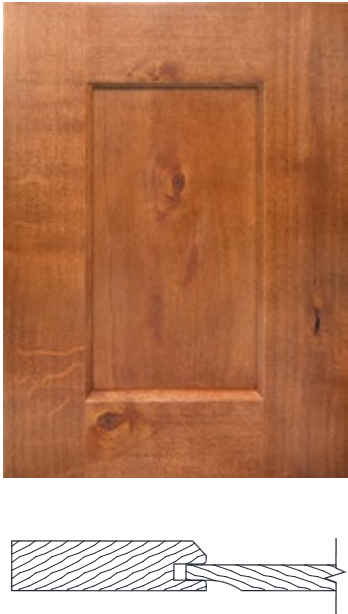
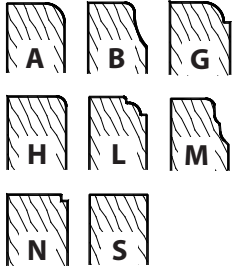
Door & panel appearance and size limits:

4" - <7" W	7" - 27" W	Center Mullion Added >27" - 36" W		8-3/4" - 52" H	Center Rail Added >52" - 73" H
					
Doors under 7-1/2" wide: stiles vary by width					


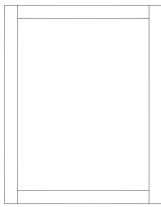
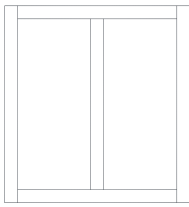
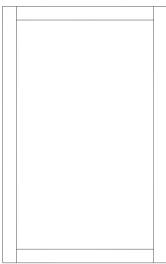
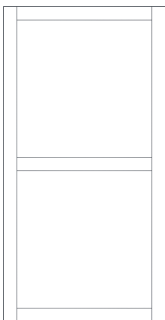
Drawer front appearance and size limits:

SLAB	Slab 2-1/2" - 18" H		Slab 2-1/2" - <4-1/4" H	5-pc 1/4" recessed panel 4-1/4" - 18" H
				
			Rail height will vary based on drawer front height	



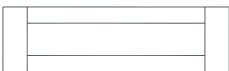

Wood Doors

<p>Lynden Solid (LYNS)</p> 		PRICE POINT: M9															
		Hinges (per door)		\$0	Concealed												
<table border="1"> <tr> <td>Type</td> <td>Mortise & Tenon</td> </tr> <tr> <td>Center Panel</td> <td>3/8" thick solid wood</td> </tr> <tr> <td>Stile Width</td> <td>3"</td> </tr> <tr> <td>Rail Width</td> <td>3"</td> </tr> </table>		Type	Mortise & Tenon	Center Panel	3/8" thick solid wood	Stile Width	3"	Rail Width	3"	Drawer Fronts		\$0	Slab		Edge Details		
		Type	Mortise & Tenon														
Center Panel	3/8" thick solid wood																
Stile Width	3"																
Rail Width	3"																
Drawer Fronts		\$153	DFMD														
Wood Species		0%		Red Oak		Prep for Glass			RFG, MGD, MGDH, MGDN See pgs M-9 – M-10 for details								
		0%		Hickory	5%				Rustic								
		0%		Beech	7%	Rustic											
		4%		Alder	7%	Rustic											
		10%		Maple	15%	Rustic											
		20%		Cherry													
		30%		Bamboo													
		30%		Carbonized Bamboo													
		30%		Sapele													
		35%		Rift White Oak													
40%		Black Walnut			Paint		Available on Red Oak or Maple +										
		10%		Curated Paints													
		20%		Pick Your Paint													

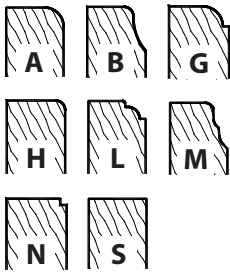

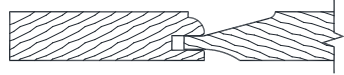
Door & panel appearance and size limits:

4" - <7" W	7" - 27" W	Center Mullion Added >27" - 36" W	8-3/4" - 52" H	Center Rail Added >52" - 73" H
				
Doors under 7-1/2" wide: stiles vary by width				


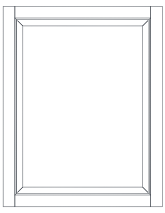

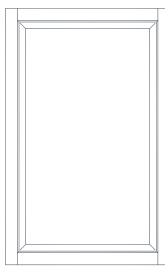
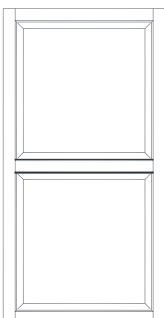
Drawer front appearance and size limits:

SLAB	Slab 2-1/2" - 18" H	DFMD	Slab 2-1/2" - <4-1/4" H	5-pc 1/4" recessed panel 4-1/4" - <5-7/16" H	5-pc solid recessed panel 5-7/16" - 18" H
					
Rail height will vary based on drawer front height					



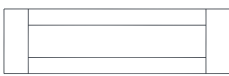
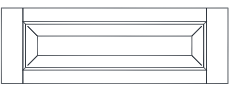
Wood Doors

Monterey (MTE)		PRICE POINT: M9											
 	Hinges (per door)	\$0	Concealed										
	Drawer Fronts	\$153	DFMD										
		Wood Species		0% Red Oak									
				0% Hickory	5%	Rustic							
				0% Beech	7%	Rustic							
				4% Alder	7%	Rustic							
				10% Maple	15%	Rustic							
				20% Cherry									
				30% Sapele									
				40% Black Walnut									
<table border="1" style="width: 100%; border-collapse: collapse;"> <tr> <td style="text-align: center;">Type</td> <td style="text-align: center;">Mortise & Tenon</td> </tr> <tr> <td style="text-align: center;">Center Panel</td> <td style="text-align: center;">3/4" thick solid wood</td> </tr> <tr> <td style="text-align: center;">Stile Width</td> <td style="text-align: center;">3"</td> </tr> <tr> <td style="text-align: center;">Rail Width</td> <td style="text-align: center;">3"</td> </tr> </table>		Type	Mortise & Tenon	Center Panel	3/4" thick solid wood	Stile Width	3"	Rail Width	3"	Prep for Glass		RFG, MGD, MGDC, MGDH, MGDN, MGDX	
		Type	Mortise & Tenon										
		Center Panel	3/4" thick solid wood										
Stile Width	3"												
Rail Width	3"												
See pgs M-9 – M-11 for details													
Paint		Available on Red Oak or Maple +											
		10%	Curated Paints										
		20%	Pick Your Paint										









Door & panel appearance and size limits:

4" - <7" W	7" - 27" W	Center Mullion Added >27" - 36" W		8-15/16" - 52" H	Center Rail Added >52" - 73" H
					
Doors under 7-1/2" wide: stiles vary by width					


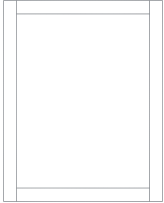
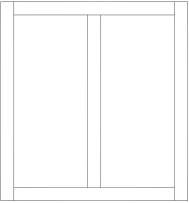
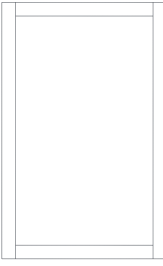
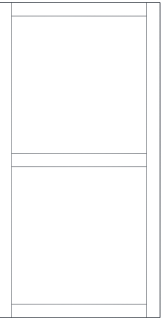
Drawer front appearance and size limits:

SLAB	Slab 2-1/2" – 18" H	DFMD	Slab 2-1/2" – <4-1/4" H	5-pc 1/4" recessed panel 4-1/4" – <5-7/16" H	5-pc solid raised panel 5-7/16" – 18" H
					
Rail height will vary based on drawer front height					






Wood Doors

Monticello (MTC)		PRICE POINT: M13		Edge Details		
	Hinges (per door)	\$0	Concealed	   	  	
		\$29	Concealed IM			
	Drawer Fronts	\$0	Slab Only	Prep for Glass		RFG, MGD, MGDH See pgs M-9 – M-10 for details
		\$153	DFMD			
	Wood Species	0%	Red Oak	Paint	Available on Red Oak or Maple +	
		0%	Beech		10%	Curated Paints
		5%	Hickory		20%	Pick Your Paint
6%		Alder				
10%		Maple				
20%		Cherry				
Type	M&T Applied Mldg.					
Center Panel	1/4" thick					
Stile Width	2-1/4"					
Rail Width	2-1/4"					

Door & panel appearance and size limits:

4" - <7" W	7" - 27" W	Center Mullion Added >27" - 36" W	8-3/4" - 52" H	Center Rail Added >52" - 73" H
				
Doors under 7-11/16" wide: stiles vary by width				

Drawer front appearance and size limits:

Slab 2-1/2" - 18" H	DFMD	Slab 2-1/2" - <4-1/4" H	Slab w/beaded edge 4-1/4" - <5-7/16" H	5-piece 1/4" recessed panel w/mldg 5-7/16" - 18" H
				
				Rail height will vary based on drawer front height

Wood Doors

Monticello Solid (MTCS)

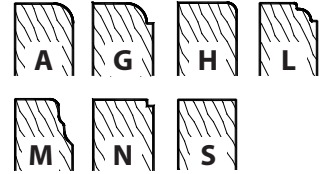


Type	M&T Applied Mldg.
Center Panel	3/8" thick solid wood
Stile Width	2-1/4"
Rail Width	2-1/4"

PRICE POINT: M15

Hinges (per door)	\$0	Concealed	
	\$29	Concealed IM	
Drawer Fronts	\$0	Slab	
	\$153	DFMD	
Wood Species	0%	Red Oak	
	0%	Beech	7% Rustic
	4%	Alder	7% Rustic
	5%	Hickory	10% Rustic
	10%	Maple	15% Rustic
	20%	Cherry	
	30%	Sapele	

Edge Details



Prep for Glass

RFG,
MGD, MGDH

See pgs M-9 – M-10 for details

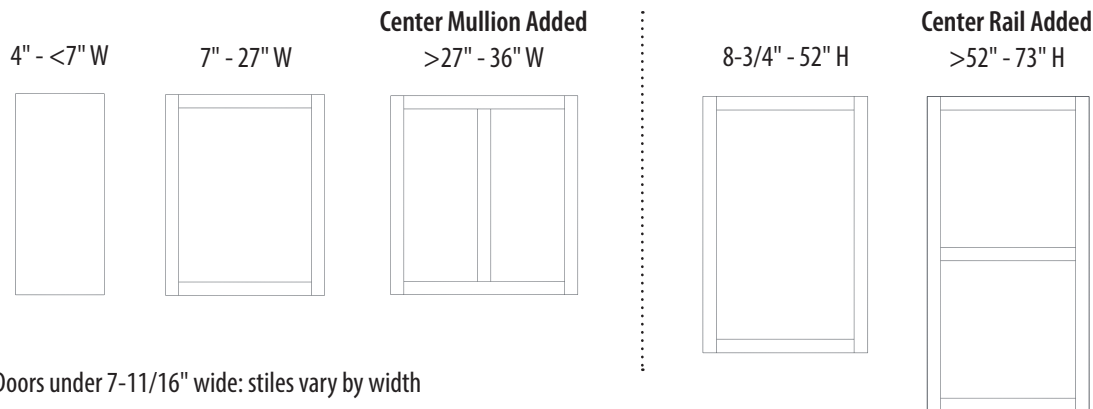
Paint

Available on Red Oak or Maple +

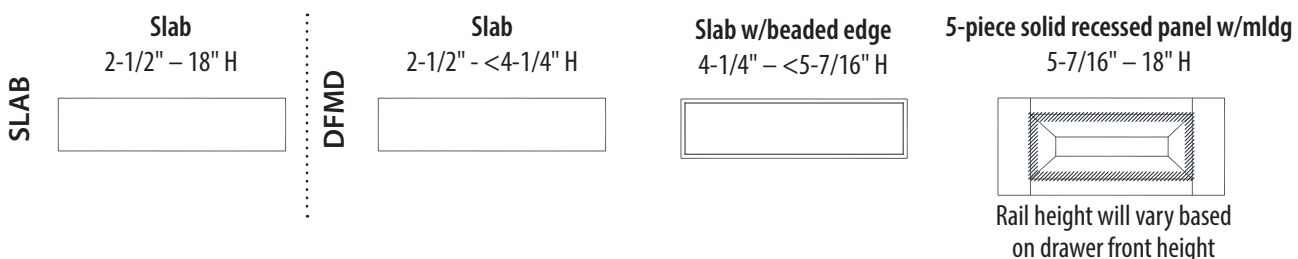
10% Curated Paints

20% Pick Your Paint



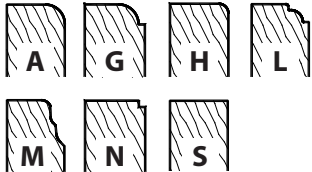
Door & panel appearance and size limits:




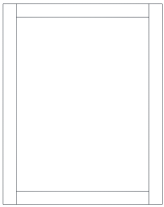
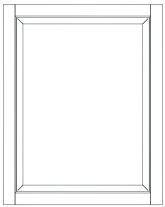
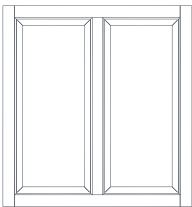
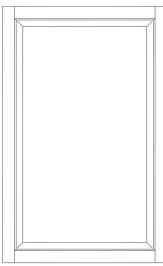
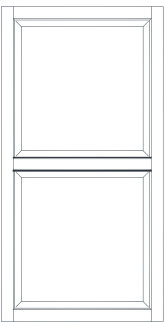
Drawer front appearance and size limits:








Wood Doors

<p>Mount Vernon (MTV)</p>  	<p>PRICE POINT: M15</p>			<p>Edge Details</p> 							
	<p>Hinges (per door)</p>	<p>\$0 Concealed</p> <p>\$29 Concealed IM</p>			<p>Prep for Glass</p> <p>RFG, MGD, MGDH</p> <p>See pgs M-9 – M-10 for details</p>						
<p>Drawer Fronts</p>	<p>\$0 Slab</p> <p>\$153 DFMD</p>		<p>Paint</p> <p>Available on Red Oak or Maple +</p> <p>10% Curated Paints</p> <p>20% Pick Your Paint</p>								
<p>Wood Species</p>	<p>0% Red Oak</p> <p>0% Beech 7% Rustic</p> <p>4% Alder 7% Rustic</p> <p>5% Hickory 10% Rustic</p> <p>10% Maple 15% Rustic</p> <p>20% Cherry</p> <p>30% Sapele</p>										
<table border="1"> <tr> <td>Type</td> <td>M&T Applied Mldg.</td> </tr> <tr> <td>Center Panel</td> <td>3/4" thick solid wood</td> </tr> <tr> <td>Stile Width</td> <td>2-1/4"</td> </tr> <tr> <td>Rail Width</td> <td>2-1/4"</td> </tr> </table>	Type	M&T Applied Mldg.	Center Panel	3/4" thick solid wood	Stile Width	2-1/4"	Rail Width	2-1/4"			
Type	M&T Applied Mldg.										
Center Panel	3/4" thick solid wood										
Stile Width	2-1/4"										
Rail Width	2-1/4"										



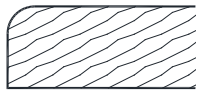
Door & panel appearance and size limits:

<p>4" - <7" W</p> 	<p>Recessed Panel 7" - <8-11/6" W</p>  <p>Recessed solid panel</p>	<p>Raised Panel 8-11/16" - 27" W</p>  <p>Raised panel</p>	<p>Center Mullion Added >27" - 36" W</p> 	<p>8-3/4" - 52" H</p>  <p>Doors below 10" H receive 1/4" recessed panel</p>	<p>Center Rail Added >52" - 73" H</p> 
--	---	---	--	--	---


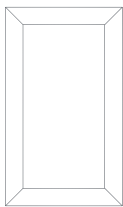
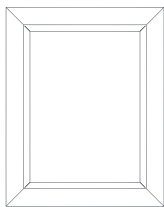
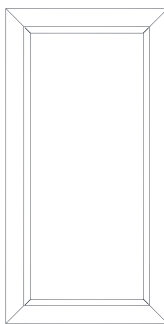
Drawer front appearance and size limits:

<p>SLAB</p>	<p>Slab 2-1/2" - 18" H</p> 	<p>DFMD</p>	<p>Slab 2-1/2" - <4-1/4" H</p> 	<p>3-piece slab w/mldg 4-1/4" - <5-7/16" H</p> 	<p>5-piece solid recessed panel 5-7/16" - <7-11/16" H</p> 	<p>5-piece raised panel 7-11/16" - 18" H</p> 
	<p>Drawer fronts 4-1/4" H and up include moulding detail to match door 5-pc front: rail height will vary based on drawer front height</p>					




Wood Doors

<p>Newport (NPT)</p>  		PRICE POINT: M10				<p>Standard Edge Detail</p> 																													
		<p>Hinges (per door)</p> <table border="1"> <tr> <td>\$0</td> <td>Concealed</td> </tr> <tr> <td>\$29</td> <td>Concealed IM</td> </tr> </table>		\$0	Concealed		\$29	Concealed IM	<p>Drawer Fronts</p> <table border="1"> <tr> <td>\$0</td> <td>Slab</td> </tr> <tr> <td>\$153</td> <td>DFMD</td> </tr> </table>		\$0	Slab	\$153	DFMD	<p>Prep for Glass</p> <p>RFG, MGD, MGDH, MGDN</p> <p>See pgs M-9 – M-10 for details</p>																				
\$0	Concealed																																		
\$29	Concealed IM																																		
\$0	Slab																																		
\$153	DFMD																																		
<p>Wood Species</p> <table border="1"> <tr> <td>0%</td> <td>Red Oak</td> <td></td> <td></td> </tr> <tr> <td>0%</td> <td>Beech</td> <td>7%</td> <td>Rustic</td> </tr> <tr> <td>4%</td> <td>Alder</td> <td>7%</td> <td>Rustic</td> </tr> <tr> <td>5%</td> <td>Hickory</td> <td>10%</td> <td>Rustic</td> </tr> <tr> <td>10%</td> <td>Maple</td> <td>15%</td> <td>Rustic</td> </tr> <tr> <td>20%</td> <td>Cherry</td> <td></td> <td></td> </tr> <tr> <td>30%</td> <td>Sapele</td> <td></td> <td></td> </tr> </table>		0%	Red Oak			0%	Beech	7%	Rustic	4%	Alder	7%	Rustic	5%		Hickory	10%	Rustic	10%	Maple	15%	Rustic	20%	Cherry			30%	Sapele			<p>Paint</p> <p>Available on Red Oak or Maple +</p> <table border="1"> <tr> <td>10%</td> <td>Curated Paints</td> </tr> <tr> <td>20%</td> <td>Pick Your Paint</td> </tr> </table>	10%	Curated Paints	20%	Pick Your Paint
		0%	Red Oak																																
		0%	Beech	7%	Rustic																														
		4%	Alder	7%	Rustic																														
		5%	Hickory	10%	Rustic																														
		10%	Maple	15%	Rustic																														
		20%	Cherry																																
30%	Sapele																																		
10%	Curated Paints																																		
20%	Pick Your Paint																																		
<p>Type</p> <p>Mitered</p>																																			
<p>Center Panel</p> <p>3/4" thick solid wood</p>																																			
<p>Stile Width</p> <p>2-1/4"</p>																																			
<p>Rail Width</p> <p>2-1/4"</p>																																			


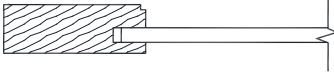

Door & panel appearance and size limits:

4" - <7" W	7" - <7-1/2" W	7-1/2" - 36" W		8-3/4" - 73" H
				
	Recessed solid panel	Raised panel		


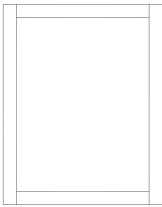
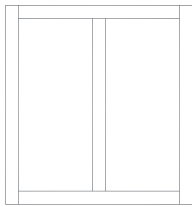
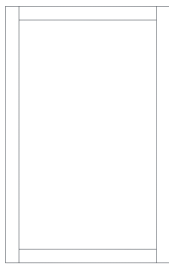
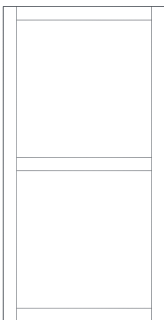
Drawer front appearance and size limits:

SLAB	<p>Slab</p> <p>2-1/2" – 18" H</p> 	DFMD	<p>Slab</p> <p>2-1/2" – <5-7/16" H</p> 	<p>5-pc recessed panel</p> <p>5-7/16" – 18" H</p>  <p>2-1/4" W stiles & rails</p>
-------------	--	-------------	--	---



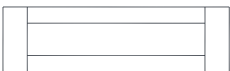
Wood Doors

<p>Normandy (NRM)</p>  		<p>PRICE POINT: M3</p>		<p>Edge Detail</p> 														
		<p>Hinges (per door)</p>	<table border="1"> <tr> <td>\$0</td> <td>Concealed</td> </tr> <tr> <td>\$29</td> <td>Concealed IM</td> </tr> </table>		\$0	Concealed	\$29	Concealed IM										
\$0	Concealed																	
\$29	Concealed IM																	
		<p>Drawer Fronts</p>	<table border="1"> <tr> <td>\$0</td> <td>Slab Only</td> </tr> <tr> <td>\$153</td> <td>DFMD</td> </tr> </table>	\$0	Slab Only	\$153	DFMD	<p>Prep for Glass</p> <p>RFG, MGD, MGDC, MGDH, MGDN, MGDX</p> <p>See pgs M-9 – M-11 for details</p>										
		\$0	Slab Only															
\$153	DFMD																	
<p>Wood Species</p>	<table border="1"> <tr> <td>0%</td> <td>Red Oak</td> </tr> <tr> <td>0%</td> <td>Beech</td> </tr> <tr> <td>0%</td> <td>Hickory</td> </tr> <tr> <td>6%</td> <td>Alder</td> </tr> <tr> <td>10%</td> <td>Maple</td> </tr> <tr> <td>20%</td> <td>Cherry</td> </tr> </table>	0%	Red Oak	0%	Beech	0%	Hickory	6%	Alder	10%	Maple	20%	Cherry					
0%	Red Oak																	
0%	Beech																	
0%	Hickory																	
6%	Alder																	
10%	Maple																	
20%	Cherry																	
<table border="1"> <tr> <td>Type</td> <td>Mortise & Tenon</td> </tr> <tr> <td>Center Panel</td> <td>1/4" thick</td> </tr> <tr> <td>Stile Width</td> <td>2-1/4"</td> </tr> <tr> <td>Rail Width</td> <td>2-1/4"</td> </tr> </table>		Type	Mortise & Tenon	Center Panel	1/4" thick	Stile Width	2-1/4"	Rail Width	2-1/4"			<p>Paint</p> <table border="1"> <tr> <td colspan="2">Available on Red Oak or Maple +</td> </tr> <tr> <td>10%</td> <td>Curated Paints</td> </tr> <tr> <td>20%</td> <td>Pick Your Paint</td> </tr> </table>	Available on Red Oak or Maple +		10%	Curated Paints	20%	Pick Your Paint
Type	Mortise & Tenon																	
Center Panel	1/4" thick																	
Stile Width	2-1/4"																	
Rail Width	2-1/4"																	
Available on Red Oak or Maple +																		
10%	Curated Paints																	
20%	Pick Your Paint																	

Door & panel appearance and size limits:

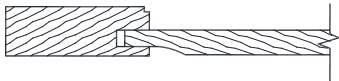
4" - <7" W	7" - 27" W	Center Mullion Added >27" - 36" W	8-3/4" - 52" H	Center Rail Added >52" - 73" H
				

Drawer front appearance and size limits:

SLAB	<p>Slab 2-1/2" - 18" H</p> 	DFMD	<p>Slab 2-1/2" - <4-1/4" H</p> 	<p>5-pc 1/4" recessed panel 4-1/4" - 18" H</p>  <p>Rail height will vary based on drawer front height</p>
-------------	---	-------------	--	--

Wood Doors

Normandy Solid (NRMS)



Type	Mortise & Tenon
Center Panel	3/8" thick solid wood
Stile Width	2-1/4"
Rail Width	2-1/4"

PRICE POINT: M6

Hinges (per door)	\$0	Concealed	
	\$29	Concealed IM	
Drawer Fronts	\$0	Slab	
	\$153	DFMD	
Wood Species	0%	Red Oak	
	0%	Hickory	5% Rustic
	0%	Beech	7% Rustic
	4%	Alder	7% Rustic
	10%	Maple	15% Rustic
	20%	Cherry	
	30%	Bamboo	
	30%	Carbonized Bamboo	
	30%	Sapele	

Edge
Detail



Prep
for
Glass

RFG,
MGD, MGDC, MGDH,
MGDN, MGDX

See pgs M-9 – M-11 for details

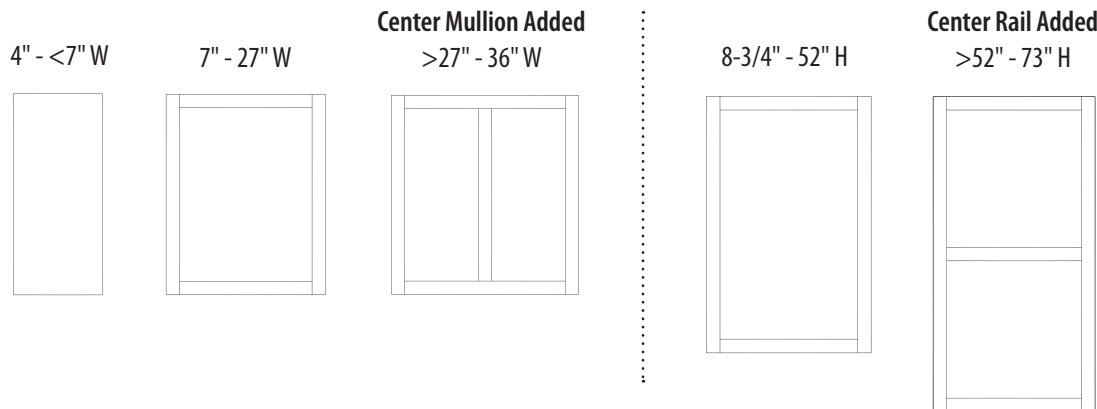
Paint

Available on Red Oak or Maple +

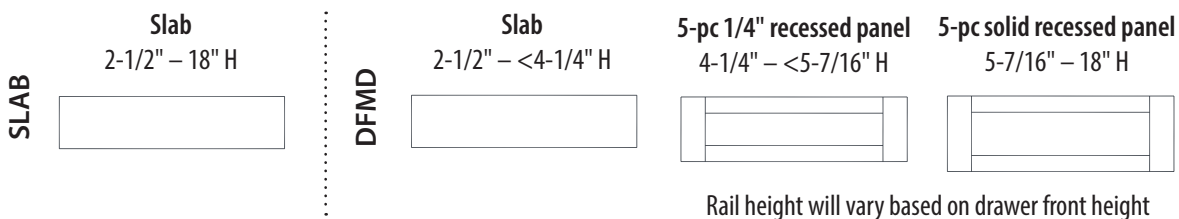
10% Curated Paints

20% Pick Your Paint


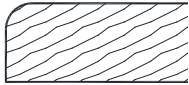
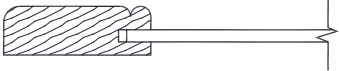
Door & panel appearance and size limits:




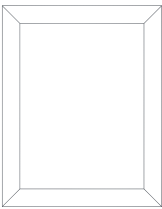
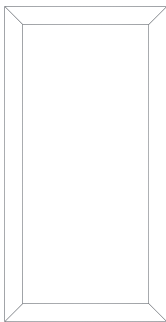
Drawer front appearance and size limits:






Wood Doors

<p>Norwood (NRW)</p> 		<p>PRICE POINT: M5</p>		<p>Standard Edge Detail</p> 															
					<p>Hinges (per door)</p>	<table border="1"> <tr> <td>\$0</td> <td>Concealed</td> </tr> <tr> <td>\$29</td> <td>Concealed IM</td> </tr> </table>	\$0	Concealed	\$29	Concealed IM									
\$0	Concealed																		
\$29	Concealed IM																		
	<p>Drawer Fronts</p>	<table border="1"> <tr> <td>\$0</td> <td>Slab Only</td> </tr> <tr> <td>\$153</td> <td>DFMD</td> </tr> </table>	\$0	Slab Only	\$153	DFMD	<p>Prep for Glass</p> <p>RFG, MGD, MGDH, MGDN</p> <p>See pgs M-9 – M-10 for details</p>												
	\$0	Slab Only																	
\$153	DFMD																		
<p>Wood Species</p>	<table border="1"> <tr> <td>0%</td> <td>Red Oak</td> </tr> <tr> <td>0%</td> <td>Beech</td> </tr> <tr> <td>5%</td> <td>Hickory</td> </tr> <tr> <td>6%</td> <td>Alder</td> </tr> <tr> <td>10%</td> <td>Maple</td> </tr> <tr> <td>20%</td> <td>Cherry</td> </tr> </table>	0%	Red Oak	0%	Beech	5%		Hickory	6%	Alder	10%	Maple	20%	Cherry	<p>Paint</p> <p>Available on Red Oak or Maple +</p> <table border="1"> <tr> <td>10%</td> <td>Curated Paints</td> </tr> <tr> <td>20%</td> <td>Pick Your Paint</td> </tr> </table>	10%	Curated Paints	20%	Pick Your Paint
	0%	Red Oak																	
	0%	Beech																	
	5%	Hickory																	
	6%	Alder																	
10%	Maple																		
20%	Cherry																		
10%	Curated Paints																		
20%	Pick Your Paint																		
<table border="1"> <tr> <td>Type</td> <td>Mitered</td> </tr> <tr> <td>Center Panel</td> <td>1/4" thick</td> </tr> <tr> <td>Stile Width</td> <td>2-1/4"</td> </tr> <tr> <td>Rail Width</td> <td>2-1/4"</td> </tr> </table>	Type	Mitered	Center Panel	1/4" thick	Stile Width	2-1/4"	Rail Width	2-1/4"											
Type	Mitered																		
Center Panel	1/4" thick																		
Stile Width	2-1/4"																		
Rail Width	2-1/4"																		


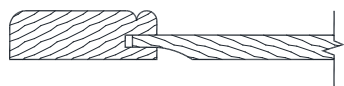
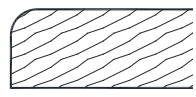
Door & panel appearance and size limits:

<p>4" - <7" W</p> 	<p>7" - 36" W</p> 	<p>8-3/4" - 73" H</p> 
<p>.....</p>		


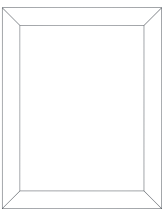
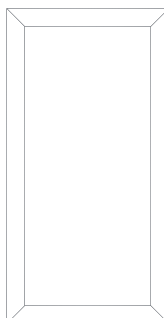
Drawer front appearance and size limits:

<p>SLAB</p>	<p>Slab</p> <p>2-1/2" – 18" H</p> 	<p>.....</p>	<p>Slab</p> <p>2-1/2" – <5-7/16" H</p> 	<p>5-pc 1/4" recessed panel</p> <p>5-7/16" – 18" H</p>  <p>2-1/4" W stiles & rails</p>
	<p>.....</p>			




Wood Doors

<p>Norwood Solid (NRWS)</p>  		PRICE POINT: M10				<p>Standard Edge Detail</p> 																															
		<p>Hinges (per door)</p> <table border="1"> <tr> <td>\$0</td> <td>Concealed</td> </tr> <tr> <td>\$29</td> <td>Concealed IM</td> </tr> </table>		\$0	Concealed		\$29	Concealed IM	<p>Drawer Fronts</p> <table border="1"> <tr> <td>\$0</td> <td>Slab</td> </tr> <tr> <td>\$153</td> <td>DFMD</td> </tr> </table>		\$0	Slab	\$153	DFMD	<p>Prep for Glass</p> <p>RFG, MGD, MGDH, MGDN</p> <p>See pgs M-9 – M-11 for details</p>																						
\$0	Concealed																																				
\$29	Concealed IM																																				
\$0	Slab																																				
\$153	DFMD																																				
<p>Wood Species</p> <table border="1"> <tr> <td>0%</td> <td>Red Oak</td> <td colspan="2"></td> </tr> <tr> <td>0%</td> <td>Beech</td> <td>7%</td> <td>Rustic</td> </tr> <tr> <td>4%</td> <td>Alder</td> <td>7%</td> <td>Rustic</td> </tr> <tr> <td>5%</td> <td>Hickory</td> <td>10%</td> <td>Rustic</td> </tr> <tr> <td>10%</td> <td>Maple</td> <td>15%</td> <td>Rustic</td> </tr> <tr> <td>20%</td> <td>Cherry</td> <td colspan="2"></td> </tr> <tr> <td>30%</td> <td>Sapele</td> <td colspan="2"></td> </tr> </table>		0%	Red Oak			0%	Beech	7%	Rustic	4%	Alder	7%	Rustic	5%		Hickory	10%	Rustic	10%	Maple	15%	Rustic	20%	Cherry			30%	Sapele			<p>Paint</p> <table border="1"> <tr> <td colspan="2">Available on Red Oak or Maple +</td> </tr> <tr> <td>10%</td> <td>Curated Paints</td> </tr> <tr> <td>20%</td> <td>Pick Your Paint</td> </tr> </table>	Available on Red Oak or Maple +		10%	Curated Paints	20%	Pick Your Paint
		0%	Red Oak																																		
		0%	Beech	7%	Rustic																																
		4%	Alder	7%	Rustic																																
		5%	Hickory	10%	Rustic																																
		10%	Maple	15%	Rustic																																
		20%	Cherry																																		
30%	Sapele																																				
Available on Red Oak or Maple +																																					
10%	Curated Paints																																				
20%	Pick Your Paint																																				
<p>Type</p> <table border="1"> <tr> <td>Mitered</td> </tr> </table>		Mitered																																			
Mitered																																					
<p>Center Panel</p> <table border="1"> <tr> <td>3/8" thick solid wood</td> </tr> </table>		3/8" thick solid wood																																			
3/8" thick solid wood																																					
<p>Stile Width</p> <table border="1"> <tr> <td>2-1/4"</td> </tr> </table>		2-1/4"																																			
2-1/4"																																					
<p>Rail Width</p> <table border="1"> <tr> <td>2-1/4"</td> </tr> </table>		2-1/4"																																			
2-1/4"																																					




Door & panel appearance and size limits:

4" - <7" W	7" - 36" W		8-3/4" - 73" H
			



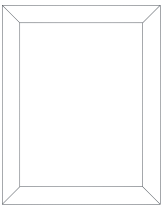
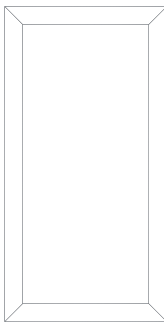
Drawer front appearance and size limits:

SLAB	<p>Slab</p> <p>2-1/2" – 18" H</p> 		<p>Slab</p> <p>2-1/2" – <5-7/16" H</p> 	<p>5-pc recessed panel</p> <p>5-7/16" – 18" H</p> 
				<p>2-1/4" W stiles & rails</p>





Wood Doors

<p>Prescott Solid (PRES)</p>  	<p>PRICE POINT: M15</p>			<p>Standard Edge Detail</p> 
	<p>Hinges (per door)</p>	<p>\$0</p>	<p>Concealed</p>	
	<p>\$29</p>	<p>Concealed IM</p>		
<p>Drawer Fronts</p>	<p>\$0</p>	<p>Slab</p>		
	<p>\$0</p>	<p>DFMD</p>		
<p>Wood Species</p>	<p>0%</p>	<p>Red Oak</p>		
	<p>0%</p>	<p>Beech</p>	<p>7%</p>	<p>Rustic</p>
	<p>4%</p>	<p>Alder</p>	<p>7%</p>	<p>Rustic</p>
	<p>5%</p>	<p>Hickory</p>	<p>10%</p>	<p>Rustic</p>
	<p>10%</p>	<p>Maple</p>	<p>15%</p>	<p>Rustic</p>
	<p>20%</p>	<p>Cherry</p>		
<p>Type</p>	<p>Mitered</p>			
<p>Center Panel</p>	<p>3/8" thick solid wood</p>			
<p>Stile Width</p>	<p>3"</p>			
<p>Rail Width</p>	<p>3"</p>			
<p>Prep for Glass</p>	<p>0% RFG</p> <p>See pg M-9 for details</p>			
<p>Paint</p>	<p>Available on Red Oak or Maple +</p>			
	<p>10%</p>	<p>Curated Paints</p>		
	<p>20%</p>	<p>Pick Your Paint</p>		

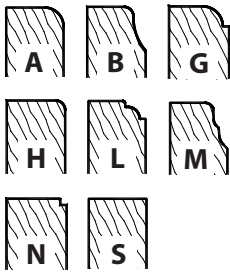

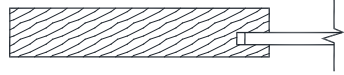
Door & panel appearance and size limits:

<p>4" - <7" W</p> 	<p>2-1/4" Stile & Rail 7" - <9" W</p> 	<p>3" Stile & Rail 9" - 36" W</p> 	<p>8-3/4" - 73" H</p> 
---	---	--	---


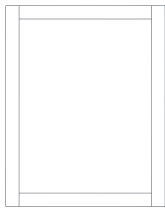
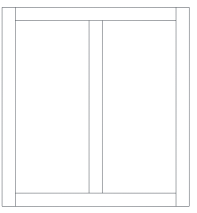
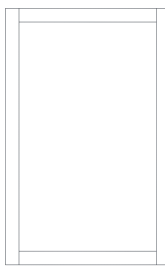
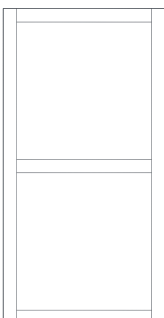
Drawer front appearance and size limits:

<p>SLAB</p>	<p>Slab 2-1/2" - 18" H</p> 	<p>DFMD</p>	<p>Slab 2-1/2" - <4-1/4" H</p> 	<p>Slab w/rope moulding 4-1/4" - <5-7/16" H</p> 	<p>5-pc recessed panel w/rope moulding 5-7/16" - 18" H</p> 
			<p>2-1/4" W stiles & rails</p>		




Wood Doors

Quattro (QTR)		PRICE POINT: M9				
	Hinges (per door)	\$0	Concealed			
	Drawer Fronts	\$153	DFMD			
		Wood Species		Prep for Glass		
		0%	Red Oak			RFG, MGD, MGDC, MGDH, MGDX
		0%	Beech	See pgs M-9 – M-11 for details		
		5%	Hickory			
		6%	Alder			
		10%	Maple			
		20%	Cherry			
40%	VG Fir					
Type		Mortise & Tenon		Paint		
Center Panel	1/4" thick		Available on Red Oak or Maple +			
Stile Width	4"		10%			Curated Paints
Rail Width	4"		20%			Pick Your Paint

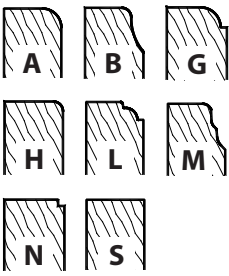


Door & panel appearance and size limits:

4" - <7" W	7" - 27" W	Center Mullion Added >27" - 36" W	8-13/16" - 52" H	Center Rail Added >52" - 73" H
				
Doors under 10-1/4" wide: stiles vary by width				


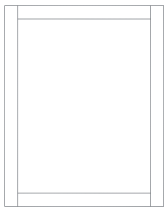
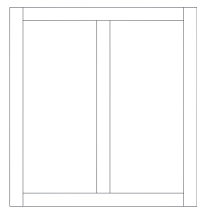
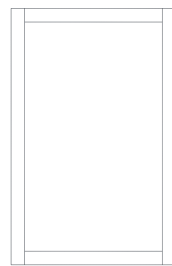
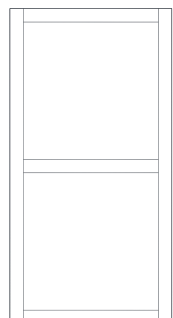
Drawer front appearance and size limits:

SLAB	Slab 2-1/2" – 18" H	DFMD	3-piece Slab 2-1/2" – <4-1/4" H	5-pc 1/4" recessed panel 4-1/4" – 18" H
				
Rail height will vary based on drawer front height				






Wood Doors

Quattro Solid (QTRS)		PRICE POINT: M13										
	Hinges (per door)	\$0	Concealed									
	Drawer Fronts	\$153	DFMD									
	Wood Species		0% Red Oak		Prep for Glass RFG, MGD, MGDC, MGDH, MGDX See pgs M-9 – M-11 for details							
			0% Beech	7%		Rustic						
			4% Alder	7%		Rustic						
			5% Hickory	10%		Rustic						
			10% Maple	15%		Rustic						
			20% Cherry									
			30% Sapele									
			35% Rift White Oak									
			40% VG Fir									
			<table border="1"> <tr> <td style="text-align: center;">Type</td> <td style="text-align: center;">Mortise & Tenon</td> </tr> <tr> <td style="text-align: center;">Center Panel</td> <td style="text-align: center;">3/8" thick solid wood</td> </tr> <tr> <td style="text-align: center;">Stile Width</td> <td style="text-align: center;">4"</td> </tr> <tr> <td style="text-align: center;">Rail Width</td> <td style="text-align: center;">4"</td> </tr> </table>			Type	Mortise & Tenon	Center Panel	3/8" thick solid wood	Stile Width	4"	Rail Width
Type	Mortise & Tenon											
Center Panel	3/8" thick solid wood											
Stile Width	4"											
Rail Width	4"											
10%	Curated Paints											
20%	Pick Your Paint											


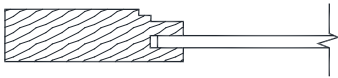
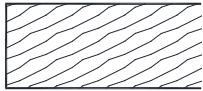
Door & panel appearance and size limits:

4" - <7" W	7" - 27" W	Center Mullion Added >27" - 36" W	8-13/16" - 52" H	Center Rail Added >52" - 73" H
				
Doors under 11" wide: stiles vary by width				


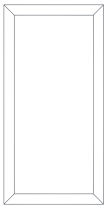
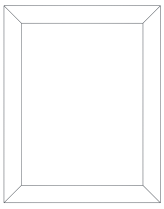
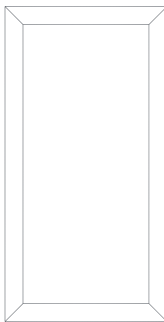
Drawer front appearance and size limits:

SLAB	Slab 2-1/2" – 18" H 	DFMD 	3-piece Slab 2-1/2" – <4-1/4" H 	5-pc 1/4" recessed panel 4-1/4" – <5-7/16" H 	5-pc solid recessed panel 5-7/16" – 18" H 
	Rail height will vary based on drawer front height				




Wood Doors

<p>Quincy (QNC)</p>  		PRICE POINT: M9		<p>Standard Edge Detail</p> 							
		<p>Hinges (per door)</p>	<p>\$0 Concealed</p> <p>\$29 Concealed IM</p>		<p>Prep for Glass</p> <p>RFG, MGD, MGDH, MGDN</p> <p>See pgs M-9 – M-10 for details</p>						
		<p>Drawer Fronts</p>	<p>\$0 Slab Only</p> <p>\$0 DFMD</p>	<p>Paint</p> <p>Available on Red Oak or Maple +</p> <p>10% Curated Paints</p> <p>20% Pick Your Paint</p>							
		<p>Wood Species</p>	<p>0% Red Oak</p> <p>0% Beech</p> <p>5% Hickory</p> <p>6% Alder</p> <p>10% Maple</p> <p>20% Cherry</p>								
<table border="1"> <tr> <td>Type</td> <td>Mitered</td> </tr> <tr> <td>Center Panel</td> <td>1/4" thick</td> </tr> <tr> <td>Stile Width</td> <td>2-3/4"</td> </tr> <tr> <td>Rail Width</td> <td>2-3/4"</td> </tr> </table>	Type	Mitered	Center Panel	1/4" thick	Stile Width	2-3/4"	Rail Width	2-3/4"			
Type	Mitered										
Center Panel	1/4" thick										
Stile Width	2-3/4"										
Rail Width	2-3/4"										


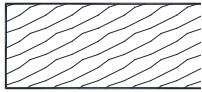
Door & panel appearance and size limits:

<p>4" - <7" W</p> 	<p>1-3/4" Stile & Rail</p> <p>7" - <7-1/2" W</p> 	<p>2-3/4" Stile & Rail</p> <p>7-1/2" - 36" W</p> 	<p>8-3/4" - 73" H</p> 
--	---	--	---


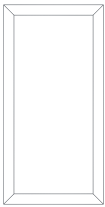
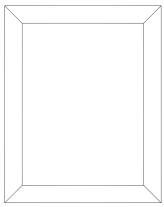
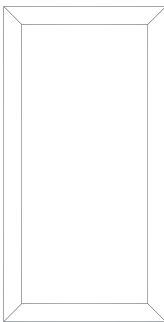
Drawer front appearance and size limits:

<p>SLAB</p> <p>Slab</p> <p>2-1/2" – 18" H</p> 	<p>DFMD</p> <p>Slab</p> <p>2-1/2" – <5-7/16" H</p> 	<p>5-pc 1/4" recessed panel</p> <p>5-7/16" – 18" H</p>  <p>1-3/4" W stiles & rails</p>
--	--	---




Wood Doors

<p>Quincy Solid (QNCS)</p> 		PRICE POINT: M13				<p>Standard Edge Detail</p> 
		Hinges (per door)	\$0	Concealed		
\$29	Concealed IM		See pgs M-9 – M-10 for details			
Drawer Fronts	\$0	Slab		Paint	Available on Red Oak or Maple +	
	\$0	DFMD			10% Curated Paints	
Wood Species	0%		Red Oak		20% Pick Your Paint	
	0%		Beech		7%	Rustic
	4%		Alder		7%	Rustic
	5%		Hickory		10%	Rustic
	10%		Maple		15%	Rustic
	20%		Cherry			
	30%		Sapele			
35%		Rift White Oak				


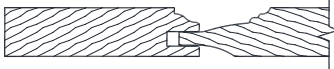
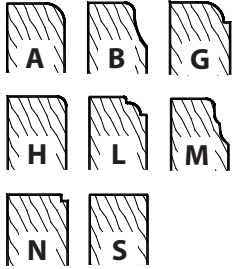
Door & panel appearance and size limits:

4" - <7" W	1-3/4" Stile & Rail 7" - <8" W	2-3/4" Stile & Rail 8" - 36" W	8-3/4" - 73" H
			


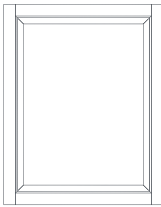
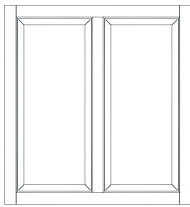
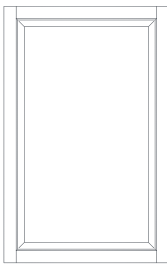
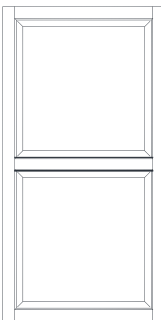
Drawer front appearance and size limits:

SLAB	<p>Slab 2-1/2" – 18" H</p> 	DFMD	<p>Slab 2-1/2" – <5-7/16" H</p> 	<p>5-pc recessed panel 5-7/16" – 18" H</p> 
			1-3/4" W stiles & rails	



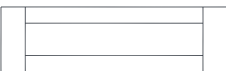
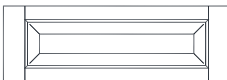
Wood Doors

<p>Ridgecrest (RID)</p>   <table border="1"> <tr> <td>Type</td> <td>Mortise & Tenon</td> </tr> <tr> <td>Center Panel</td> <td>3/4" thick solid wood</td> </tr> <tr> <td>Stile Width</td> <td>3"</td> </tr> <tr> <td>Rail Width</td> <td>3"</td> </tr> </table>	Type	Mortise & Tenon	Center Panel	3/4" thick solid wood	Stile Width	3"	Rail Width	3"	<p>PRICE POINT: M9</p> <table border="1"> <tr> <td rowspan="2">Hinges (per door)</td> <td>\$0</td> <td>Concealed</td> </tr> <tr> <td>\$29</td> <td>Concealed IM</td> </tr> <tr> <td rowspan="2">Drawer Fronts</td> <td>\$0</td> <td>Slab</td> </tr> <tr> <td>\$153</td> <td>DFMD</td> </tr> </table>		Hinges (per door)	\$0	Concealed	\$29	Concealed IM	Drawer Fronts	\$0	Slab	\$153	DFMD	<p>Edge Details</p> 													
	Type	Mortise & Tenon																																
Center Panel	3/4" thick solid wood																																	
Stile Width	3"																																	
Rail Width	3"																																	
Hinges (per door)	\$0	Concealed																																
	\$29	Concealed IM																																
Drawer Fronts	\$0	Slab																																
	\$153	DFMD																																
<p>Wood Species</p> <table border="1"> <tr> <td>0%</td> <td>Red Oak</td> <td></td> <td></td> </tr> <tr> <td>0%</td> <td>Hickory</td> <td>5%</td> <td>Rustic</td> </tr> <tr> <td>0%</td> <td>Beech</td> <td>7%</td> <td>Rustic</td> </tr> <tr> <td>4%</td> <td>Alder</td> <td>7%</td> <td>Rustic</td> </tr> <tr> <td>10%</td> <td>Maple</td> <td>15%</td> <td>Rustic</td> </tr> <tr> <td>20%</td> <td>Cherry</td> <td></td> <td></td> </tr> <tr> <td>30%</td> <td>Sapele</td> <td></td> <td></td> </tr> <tr> <td>40%</td> <td>Black Walnut</td> <td></td> <td></td> </tr> </table>		0%	Red Oak			0%	Hickory	5%	Rustic	0%	Beech	7%	Rustic	4%	Alder	7%	Rustic	10%	Maple	15%	Rustic	20%	Cherry			30%	Sapele			40%	Black Walnut			<p>Prep for Glass</p> <p>RFG, MGD, MGDC, MGDH, MGDN, MGDX</p> <p>See pgs M-9 – M-11 for details</p>
0%	Red Oak																																	
0%	Hickory	5%	Rustic																															
0%	Beech	7%	Rustic																															
4%	Alder	7%	Rustic																															
10%	Maple	15%	Rustic																															
20%	Cherry																																	
30%	Sapele																																	
40%	Black Walnut																																	
		<p>Paint</p> <p>Available on Red Oak or Maple +</p> <table border="1"> <tr> <td>10%</td> <td>Curated Paints</td> </tr> <tr> <td>20%</td> <td>Pick Your Paint</td> </tr> </table>		10%	Curated Paints	20%	Pick Your Paint																											
10%	Curated Paints																																	
20%	Pick Your Paint																																	


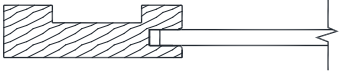
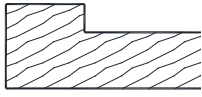
Door & panel appearance and size limits:

4" - <7" W	7" - 27" W	Center Mullion Added >27" - 36" W	8-15/16" - 52" H	Center Rail Added >52" - 73" H
				
Doors under 9" wide: stiles vary by width				



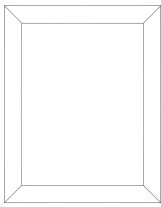
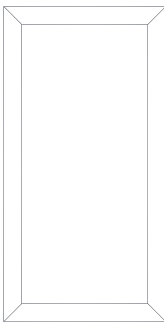
Drawer front appearance and size limits:

SLAB	Slab 2-1/2" - 18" H	DFMD	Slab 2-1/2" - <4-1/4" H	5-pc 1/4" recessed panel 4-1/4" - <5-7/16" H	5-pc solid raised panel 5-7/16" - 18" H
					
Rail height will vary based on drawer front height					




Wood Doors

Roanoke (RNK)													
 	PRICE POINT: M9		Standard Edge Detail										
	Hinges (per door)	\$0			Concealed								
		\$29	Concealed IM										
	Drawer Fronts	\$0	Slab Only	Prep for Glass	RFG, MGD, MGDH, MGDN See pgs M-9 – M-10 for details								
		\$0	DFMD										
	Wood Species	0%	Red Oak	Paint	Available on Red Oak or Maple + 10% Curated Paints 20% Pick Your Paint								
		0%	Beech										
5%		Hickory											
6%		Alder											
10%		Maple											
20%		Cherry											
<table border="1"> <tr> <td>Type</td> <td>Mitered</td> </tr> <tr> <td>Center Panel</td> <td>1/4" thick</td> </tr> <tr> <td>Stile Width</td> <td>2-3/4"</td> </tr> <tr> <td>Rail Width</td> <td>2-3/4"</td> </tr> </table>		Type	Mitered	Center Panel	1/4" thick	Stile Width	2-3/4"	Rail Width	2-3/4"				
Type	Mitered												
Center Panel	1/4" thick												
Stile Width	2-3/4"												
Rail Width	2-3/4"												


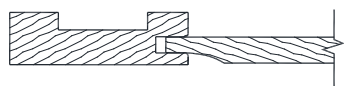
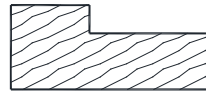
Door & panel appearance and size limits:

4" - <7" W	1-3/4" Stile & Rail 7" - <7-1/2" W	2-3/4" Stile & Rail 7-1/2" - 36" W	8-3/4" - 73" H
			



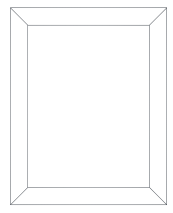
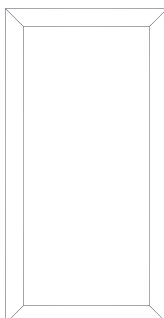
Drawer front appearance and size limits:

SLAB	Slab 2-1/2" – 18" H 	DFMD	Slab 2-1/2" – <5-7/16" H 	5-pc 1/4" recessed panel 5-7/16" – 18" H  1-3/4" W stiles & rails




Wood Doors

<p>Roanoke Solid (RNKS)</p>  		PRICE POINT: M13				<p>Standard Edge Detail</p> 																																			
		<p>Hinges (per door)</p> <table border="1"> <tr> <td>\$0</td> <td>Concealed</td> </tr> <tr> <td>\$29</td> <td>Concealed IM</td> </tr> </table>		\$0	Concealed		\$29	Concealed IM	<p>Drawer Fronts</p> <table border="1"> <tr> <td>\$0</td> <td>Slab</td> </tr> <tr> <td>\$0</td> <td>DFMD</td> </tr> </table>		\$0	Slab	\$0	DFMD	<p>Prep for Glass</p> <p>RFG, MGD, MGDH, MGDN</p> <p>See pgs M-9 – M-10 for details</p>																										
\$0	Concealed																																								
\$29	Concealed IM																																								
\$0	Slab																																								
\$0	DFMD																																								
<p>Wood Species</p> <table border="1"> <tr> <td>0%</td> <td>Red Oak</td> <td colspan="2"></td> </tr> <tr> <td>0%</td> <td>Beech</td> <td>7%</td> <td>Rustic</td> </tr> <tr> <td>4%</td> <td>Alder</td> <td>7%</td> <td>Rustic</td> </tr> <tr> <td>5%</td> <td>Hickory</td> <td>10%</td> <td>Rustic</td> </tr> <tr> <td>10%</td> <td>Maple</td> <td>15%</td> <td>Rustic</td> </tr> <tr> <td>20%</td> <td>Cherry</td> <td colspan="2"></td> </tr> <tr> <td>30%</td> <td>Sapele</td> <td colspan="2"></td> </tr> <tr> <td>35%</td> <td>Rift White Oak</td> <td colspan="2"></td> </tr> </table>		0%	Red Oak			0%	Beech	7%	Rustic	4%	Alder	7%	Rustic	5%		Hickory	10%	Rustic	10%	Maple	15%	Rustic	20%	Cherry			30%	Sapele			35%	Rift White Oak			<p>Paint</p> <table border="1"> <tr> <td colspan="2">Available on Red Oak or Maple +</td> </tr> <tr> <td>10%</td> <td>Curated Paints</td> </tr> <tr> <td>20%</td> <td>Pick Your Paint</td> </tr> </table>	Available on Red Oak or Maple +		10%	Curated Paints	20%	Pick Your Paint
		0%	Red Oak																																						
		0%	Beech	7%	Rustic																																				
		4%	Alder	7%	Rustic																																				
		5%	Hickory	10%	Rustic																																				
		10%	Maple	15%	Rustic																																				
		20%	Cherry																																						
		30%	Sapele																																						
35%	Rift White Oak																																								
Available on Red Oak or Maple +																																									
10%	Curated Paints																																								
20%	Pick Your Paint																																								
<p>Type</p> <table border="1"> <tr> <td>Mitered</td> </tr> </table>		Mitered																																							
Mitered																																									
<p>Center Panel</p> <table border="1"> <tr> <td>3/8" thick solid wood</td> </tr> </table>		3/8" thick solid wood																																							
3/8" thick solid wood																																									
<p>Stile Width</p> <table border="1"> <tr> <td>2-3/4"</td> </tr> </table>		2-3/4"																																							
2-3/4"																																									
<p>Rail Width</p> <table border="1"> <tr> <td>2-3/4"</td> </tr> </table>		2-3/4"																																							
2-3/4"																																									


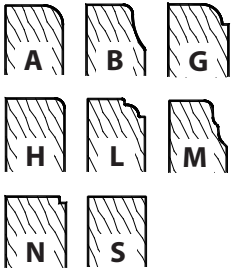
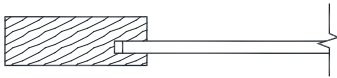
Door & panel appearance and size limits:

4" - <7" W	1-3/4" Stile & Rail 7" - <8" W	2-3/4" Stile & Rail 8" - 36" W	8-3/4" - 73" H
			


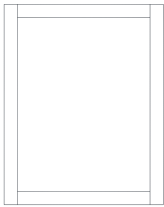
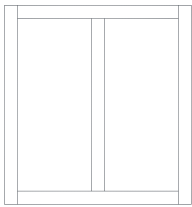
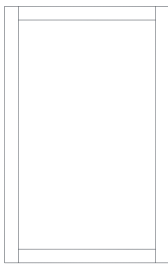
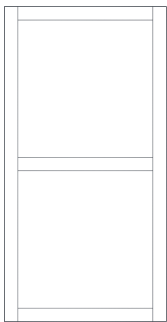
Drawer front appearance and size limits:

SLAB	<p>Slab</p> <p>2-1/2" – 18" H</p> 	DFMD	<p>Slab</p> <p>2-1/2" – <5-7/16" H</p> 	<p>5-pc recessed panel</p> <p>5-7/16" – 18" H</p> 
			1-3/4" W stiles & rails	



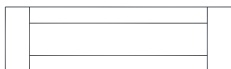
Wood Doors

Shaker (SHK)												
		PRICE POINT: M3										
		Hinges (per door)	\$0			Concealed						
		Hinges (per door)	\$29	Concealed IM								
		Drawer Fronts	\$0	Slab Only								
<table border="1"> <tr> <td>Type</td> <td>Mortise & Tenon</td> </tr> <tr> <td>Center Panel</td> <td>1/4" thick</td> </tr> <tr> <td>Stile Width</td> <td>2-1/4"</td> </tr> <tr> <td>Rail Width</td> <td>2-1/4"</td> </tr> </table>		Type	Mortise & Tenon	Center Panel	1/4" thick	Stile Width	2-1/4"	Rail Width	2-1/4"	Drawer Fronts	\$153	DFMD
		Type	Mortise & Tenon									
		Center Panel	1/4" thick									
		Stile Width	2-1/4"									
		Rail Width	2-1/4"									
		Wood Species	0%	Red Oak								
			0%	Beech								
0%	Hickory											
6%	Alder											
10%	Maple											
20%	Cherry											
40%	VG Fir											
<table border="1"> <tr> <td>Prep for Glass</td> <td> RFG, MGD, MGDC, MGDH, MGDN, MGDX, VT, VTR See pgs M-9 – M-11 for details </td> </tr> <tr> <td>Paint</td> <td> Available on Red Oak or Maple + 10% Curated Paints 20% Pick Your Paint </td> </tr> </table>		Prep for Glass	RFG, MGD, MGDC, MGDH, MGDN, MGDX, VT, VTR See pgs M-9 – M-11 for details	Paint	Available on Red Oak or Maple + 10% Curated Paints 20% Pick Your Paint							
		Prep for Glass	RFG, MGD, MGDC, MGDH, MGDN, MGDX, VT, VTR See pgs M-9 – M-11 for details									
		Paint	Available on Red Oak or Maple + 10% Curated Paints 20% Pick Your Paint									

Door & panel appearance and size limits:

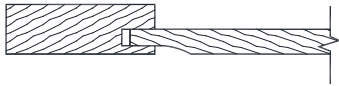
4" - <7" W	7" - 27" W	Center Mullion Added >27" - 36" W		8-3/4" - 52" H	Center Rail Added >52" - 73" H
					

Drawer front appearance and size limits:

SLAB	Slab 2-1/2" - 18" H 	DFMD	Slab 2-1/2" - <4-1/4" H 	5-pc 1/4" recessed panel 4-1/4" - 18" H  Rail height will vary based on drawer front height
-------------	--	-------------	--	---

Wood Doors

Shaker Solid (SHKS)

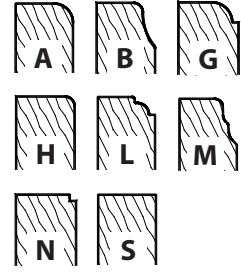


Type	Mortise & Tenon
Center Panel	3/8" thick solid wood
Stile Width	2-1/4"
Rail Width	2-1/4"

PRICE POINT: M6

Hinges (per door)	\$0	Concealed	
	\$29	Concealed IM	
Drawer Fronts	\$0	Slab	
	\$153	DFMD	
Wood Species	0%	Red Oak	
	0%	Hickory	5% Rustic
	0%	Beech	7% Rustic
	4%	Alder	7% Rustic
	10%	Maple	15% Rustic
	20%	Cherry	
	30%	Bamboo	
	30%	Carbonized Bamboo	
	30%	Sapele	
	35%	Rift White Oak	
	40%	Black Walnut	
	40%	VG Fir	

Edge Details



Prep for Glass

RFG,
MGD, MGDC, MGDH,
MGDN, MGDX, VT, VTR

See pgs M-9 – M-11 for details

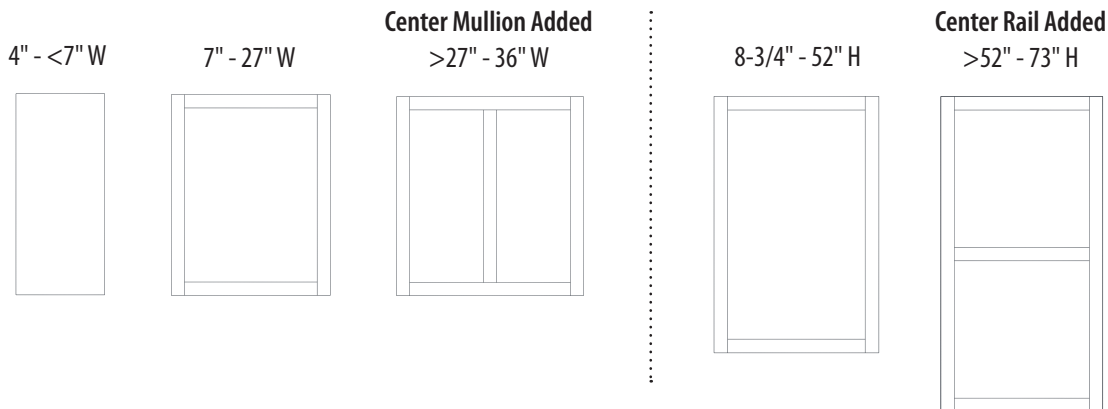
Paint

Available on Red Oak or Maple +

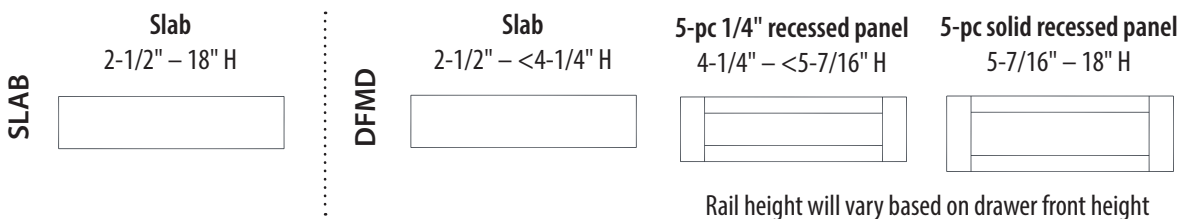
10% Curated Paints

20% Pick Your Paint

Door & panel appearance and size limits:

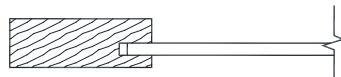


Drawer front appearance and size limits:



Wood Doors

Shaker Center (SHK-M)



Type	Mortise & Tenon
Center Panel	1/4" thick
Stile Width	2-1/4"
Rail Width	2-1/4"

PRICE POINT: M7

Hinges (per door)	\$0	Concealed
	\$29	Concealed IM
Drawer Fronts	\$0	Slab Only
	\$153	DFMD
Wood Species	0%	Red Oak
	0%	Beech
	0%	Hickory
	6%	Alder
	10%	Maple
	20%	Cherry

Edge Details			
Prep for Glass	RFG		
	See pg M-9 for details		
Paint	Available on Red Oak or Maple +		
	10%	Curated Paints	
	20%	Pick Your Paint	

Door & panel appearance and size limits:

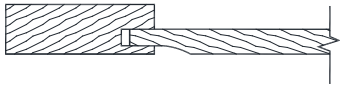
4" - <7" W	7" - <13-3/16" W	13-3/16" - 24-1/4" W	Center Mullion Added >24-1/4" - 36" W	8-3/4" - 52" H	Center Rail Added >52" - 73" H

Drawer front appearance and size limits:

SLAB	Slab 2-1/2" - 18" H	DFMD	Slab 2-1/2" - <4-1/4" H	5-pc 1/4" recessed panel 4-1/4" - 18" H
Rail height will vary based on drawer front height				

Wood Doors

Shaker Center Solid (SHKS-M)

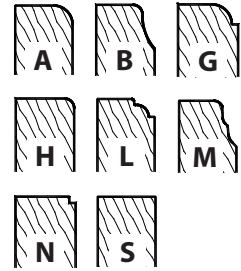


Type	Mortise & Tenon
Center Panel	3/8" thick solid wood
Stile Width	2-1/4"
Rail Width	2-1/4"

PRICE POINT: M9

Hinges (per door)	\$0	Concealed	
	\$29	Concealed IM	
Drawer Fronts	\$0	Slab	
	\$153	DFMD	
Wood Species	0%	Red Oak	
	0%	Hickory	5% Rustic
	0%	Beech	7% Rustic
	4%	Alder	7% Rustic
	10%	Maple	15% Rustic
	20%	Cherry	
	30%	Sapele	
	40%	Black Walnut	

Edge Details



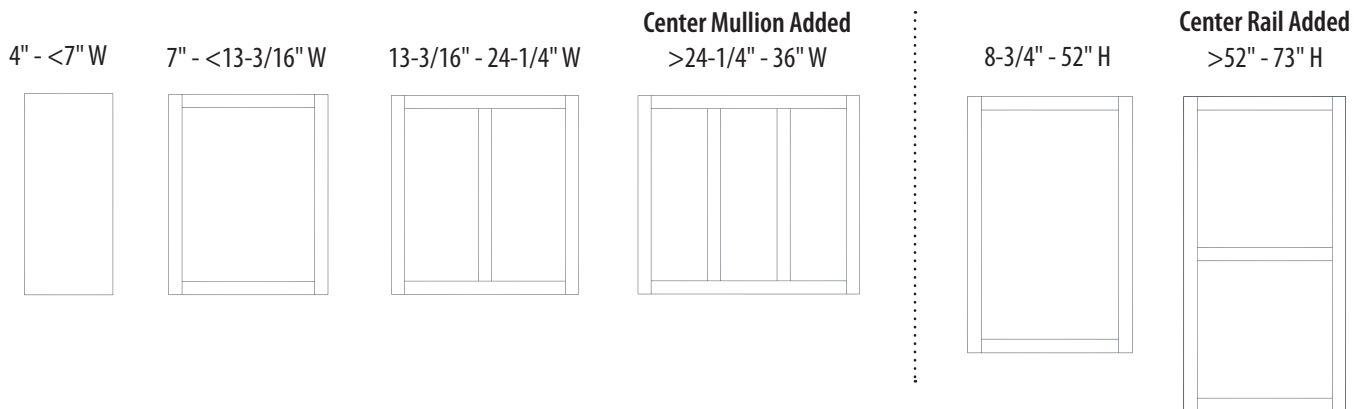
Prep for Glass

RFG
See pg M-9 for details

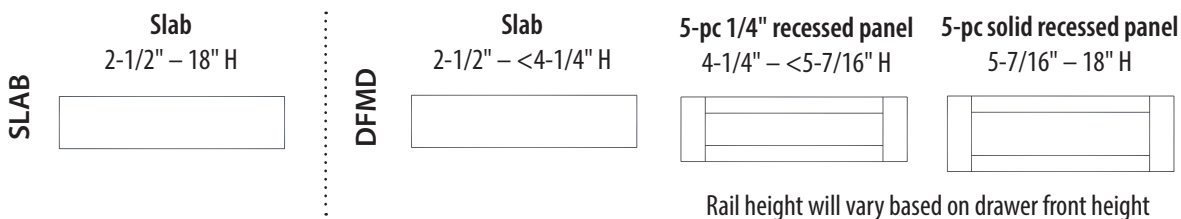
Paint

Available on Red Oak or Maple +
10% Curated Paints
20% Pick Your Paint

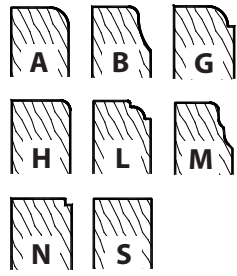


Door & panel appearance and size limits:




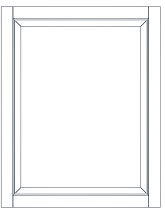
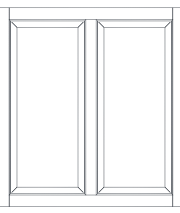
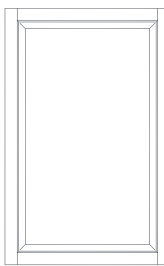
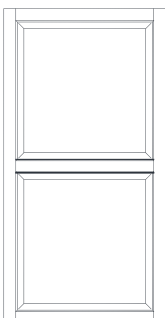
Drawer front appearance and size limits:






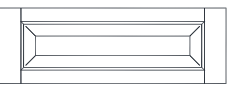
Wood Doors

Shalimar (SHL)		PRICE POINT: M6											
 	Hinges (per door)	\$0	Concealed										
	Drawer Fronts	\$0	Slab										
		\$153	DFMD										
	Wood Species	0% Red Oak											
		0%	Hickory	5%	Rustic								
		0%	Beech	7%	Rustic								
		4%	Alder	7%	Rustic								
		10%	Maple	15%	Rustic								
		20%	Cherry										
		30%	Sapele										
		40%	Black Walnut										
<table border="1"> <tr> <td>Type</td> <td>Mortise & Tenon</td> </tr> <tr> <td>Center Panel</td> <td>3/4" thick solid wood</td> </tr> <tr> <td>Stile Width</td> <td>2-1/4"</td> </tr> <tr> <td>Rail Width</td> <td>2-1/4"</td> </tr> </table>		Type	Mortise & Tenon	Center Panel	3/4" thick solid wood	Stile Width	2-1/4"	Rail Width	2-1/4"			Prep for Glass	RFG, MGD, MGDC, MGDH, MGDN, MGDX See pgs M-9 – M-11 for details
Type	Mortise & Tenon												
Center Panel	3/4" thick solid wood												
Stile Width	2-1/4"												
Rail Width	2-1/4"												
		Paint	Available on Red Oak or Maple + 10% Curated Paints 20% Pick Your Paint										

Door & panel appearance and size limits:

4" - <7" W	7" - 27" W	Center Mullion Added >27" - 36" W		8-15/16" - 52" H	Center Rail Added >52" - 73" H
					
Doors under 7-1/2" wide: stiles vary by width					

Drawer front appearance and size limits:

SLAB	Slab 2-1/2" – 18" H		DFMD	Slab 2-1/2" – <4-1/4" H	5-pc 1/4" recessed panel 4-1/4" – <5-7/16" H	5-pc solid raised panel 5-7/16" – 18" H
						
Rail height will vary based on drawer front height						

Wood Doors

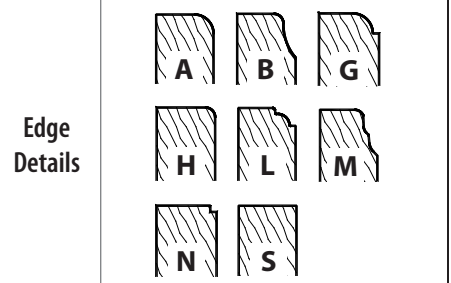
Shalimar Roman (SHL-R)



Type	Mortise & Tenon
Center Panel	3/4" thick solid wood
Stile Width	2-1/4"
Rail Width	2-1/4"

PRICE POINT: M6A

Hinges (per door)	\$0	Concealed	
	\$29	Concealed IM	
Drawer Fronts	\$0	Slab	
	\$153	DFMD	
Wood Species	0%	Red Oak	
	0%	Hickory	5% Rustic
	0%	Beech	7% Rustic
	4%	Alder	7% Rustic
	10%	Maple	15% Rustic
	20%	Cherry	
	30%	Sapele	



Prep for Glass	RFG, MGD, MGDH
	See pgs M-9 – M-10 for details

Paint	Available on Red Oak or Maple +	
	10%	Curated Paints
	20%	Pick Your Paint

Door & panel appearance and size limits:

4" - <7" W	7" - 8-1/2" W	Arched Top 8-1/2" - 27" W	Arched Top 8-3/4" - 52" H	Center Rail Added >52" - 73" H

Doors under 7-1/2" wide: stiles vary by width



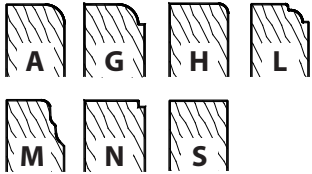
- Arch is applied to:
- Wall cabinets
 - Top door(s) of stacked cabinets
 - Top door(s) of Tall cabinets
- Includes finished end options with doors

Drawer front appearance and size limits:


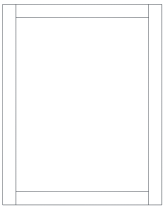
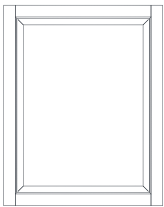
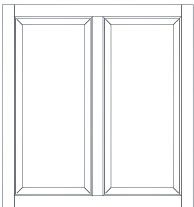
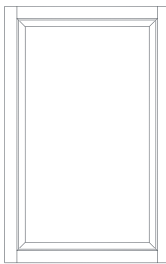
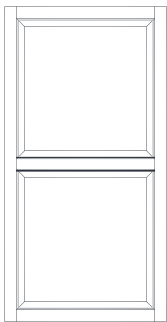
SLAB	Slab 2-1/2" – 18" H	DFMD	Slab 2-1/2" – <4-1/4" H	5-pc 1/4" recessed panel 4-1/4" – <5-7/16" H	5-pc solid raised panel 5-7/16" – 18" H

Rail height will vary based on drawer front height



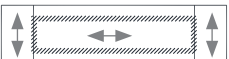
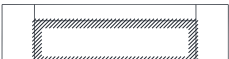

Wood Doors

<p>Springwood (SPW)</p>  		PRICE POINT: M15				<p>Edge Details</p> 																																					
		<p>Hinges (per door)</p> <table border="1"> <tr> <td>\$0</td> <td>Concealed</td> </tr> <tr> <td>\$29</td> <td>Concealed IM</td> </tr> </table>		\$0	Concealed					\$29	Concealed IM	<p>Drawer Fronts</p> <table border="1"> <tr> <td>\$0</td> <td>Slab</td> </tr> <tr> <td>\$153</td> <td>DFMD</td> </tr> </table>		\$0	Slab	\$153	DFMD	<p>Wood Species</p> <table border="1"> <tr> <td>0%</td> <td>Red Oak</td> <td></td> <td></td> </tr> <tr> <td>0%</td> <td>Beech</td> <td>7%</td> <td>Rustic</td> </tr> <tr> <td>4%</td> <td>Alder</td> <td>7%</td> <td>Rustic</td> </tr> <tr> <td>5%</td> <td>Hickory</td> <td>10%</td> <td>Rustic</td> </tr> <tr> <td>10%</td> <td>Maple</td> <td>15%</td> <td>Rustic</td> </tr> <tr> <td>20%</td> <td>Cherry</td> <td></td> <td></td> </tr> <tr> <td>30%</td> <td>Sapele</td> <td></td> <td></td> </tr> </table>		0%	Red Oak			0%	Beech	7%	Rustic	4%	Alder	7%	Rustic	5%	Hickory	10%	Rustic	10%	Maple	15%	Rustic	20%	Cherry		
\$0	Concealed																																										
\$29	Concealed IM																																										
\$0	Slab																																										
\$153	DFMD																																										
0%	Red Oak																																										
0%	Beech	7%	Rustic																																								
4%	Alder	7%	Rustic																																								
5%	Hickory	10%	Rustic																																								
10%	Maple	15%	Rustic																																								
20%	Cherry																																										
30%	Sapele																																										
<p>Type</p> <table border="1"> <tr> <td>M&T Applied Mldg.</td> </tr> <tr> <td>Center Panel</td> <td>3/4" thick solid wood</td> </tr> <tr> <td>Stile Width</td> <td>2-1/4"</td> </tr> <tr> <td>Rail Width</td> <td>2-1/4"</td> </tr> </table>		M&T Applied Mldg.	Center Panel	3/4" thick solid wood	Stile Width	2-1/4"	Rail Width	2-1/4"	<p>Paint</p> <table border="1"> <tr> <td colspan="2">Available on Red Oak or Maple +</td> </tr> <tr> <td>10%</td> <td>Curated Paints</td> </tr> <tr> <td>20%</td> <td>Pick Your Paint</td> </tr> </table>		Available on Red Oak or Maple +		10%	Curated Paints	20%	Pick Your Paint																											
M&T Applied Mldg.																																											
Center Panel	3/4" thick solid wood																																										
Stile Width	2-1/4"																																										
Rail Width	2-1/4"																																										
Available on Red Oak or Maple +																																											
10%	Curated Paints																																										
20%	Pick Your Paint																																										

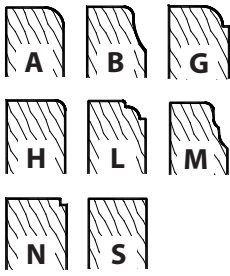

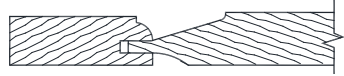
Door & panel appearance and size limits:

<p>4" - <7" W</p> 	<p>Recessed Panel 7" - <8-11/6" W</p>  <p>Recessed solid panel</p>	<p>Raised Panel 8-11/16" - 27" W</p>  <p>Raised panel</p>	<p>Center Mullion Added >27" - 36" W</p> 		<p>8-3/4" - 52" H</p>  <p>Doors below 10" H receive 1/4" recessed panel</p>	<p>Center Rail Added >52" - 73" H</p> 
--	---	---	--	--	--	---


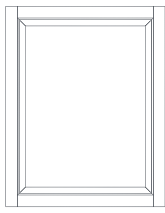
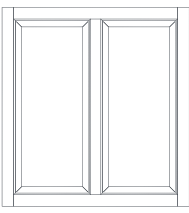
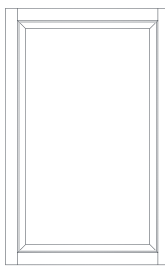
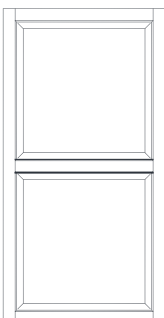
Drawer front appearance and size limits:

SLAB	<p>Slab 2-1/2" - 18" H</p> 	DFMD	<p>Slab 2-1/2" - <4-1/4" H</p> 	<p>3-piece slab w/mldg 4-1/4" - <5-7/16" H</p> 	<p>5-piece solid recessed panel 5-7/16" - <7-11/16" H</p> 	<p>5-piece raised panel 7-11/16" - 18" H</p> 
	<p>Drawer fronts 4-1/4" H and up include moulding detail to match door 5-pc front: rail height will vary based on drawer front height</p>					



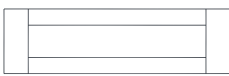
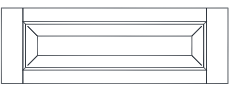
Wood Doors

Stratford (STF)		PRICE POINT: M6											
	Hinges (per door)	\$0	Concealed										
	Drawer Fronts	\$153	DFMD										
 <table border="1" style="margin-top: 10px;"> <tr> <td>Type</td> <td>Mortise & Tenon</td> </tr> <tr> <td>Center Panel</td> <td>3/4" thick solid wood</td> </tr> <tr> <td>Stile Width</td> <td>2-1/4"</td> </tr> <tr> <td>Rail Width</td> <td>2-1/4"</td> </tr> </table>		Type	Mortise & Tenon	Center Panel	3/4" thick solid wood	Stile Width	2-1/4"	Rail Width	2-1/4"	Wood Species		0% Red Oak	
		Type	Mortise & Tenon										
		Center Panel	3/4" thick solid wood										
		Stile Width	2-1/4"										
		Rail Width	2-1/4"										
		0% Hickory		5%	Rustic								
		0% Beech		7%	Rustic								
		4% Alder		7%	Rustic								
10% Maple		15%	Rustic										
20% Cherry													
30% Sapele													
40% Black Walnut													
				Prep for Glass									
				RFG, MGD, MGDC, MGDH, MGDN, MGDX See pgs M-9 – M-11 for details									
				Paint									
				Available on Red Oak or Maple +									
				10%	Curated Paints								
				20%	Pick Your Paint								

Door & panel appearance and size limits:

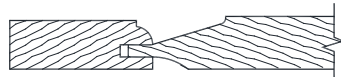
4" - <7" W	7" - 27" W	Center Mullion Added >27" - 36" W	8-3/4" - 52" H	Center Rail Added >52" - 73" H
				
Doors under 7-1/2" wide: stiles vary by width				

Drawer front appearance and size limits:

SLAB	Slab 2-1/2" – 18" H	DFMD	Slab 2-1/2" – <4-1/4" H	5-pc 1/4" recessed panel 4-1/4" – <5-7/16" H	5-pc solid raised panel 5-7/16" – 18" H
					
Rail height will vary based on drawer front height					

Wood Doors

Stratford Roman (STF-R)



Type	Mortise & Tenon
Center Panel	3/4" thick solid wood
Stile Width	2-1/4"
Rail Width	2-1/4"

PRICE POINT: M6A

Hinges (per door)	\$0	Concealed	
	\$29	Concealed IM	
Drawer Fronts	\$0	Slab	
	\$153	DFMD	
Wood Species	0%	Red Oak	
	0%	Hickory	5% Rustic
	0%	Beech	7% Rustic
	4%	Alder	7% Rustic
	10%	Maple	15% Rustic
	20%	Cherry	
	30%	Sapele	

Edge Details			
Prep for Glass	RFG, MGD, MGDH		
	See pgs M-9 – M-10 for details		
Paint	Available on Red Oak or Maple +		
	10%	Curated Paints	
	20%	Pick Your Paint	

Door & panel appearance and size limits:

Slab 4" - <7" W 	Arched Top 7" - 8-1/2" W 	Arched Top 8-1/2" - 27" W 	Arched Top 8-3/4" - 52" H 	Center Rail Added >52" - 73" H
-------------------------------	--	---	---	--

Doors under 7-1/2" wide: stiles vary by width

Arch is applied to:


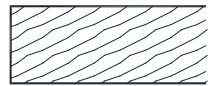
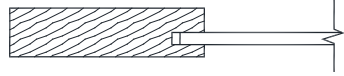
- Wall cabinets
- Top door(s) of stacked cabinets
- Top door(s) of Tall cabinets

Includes finished end options with doors


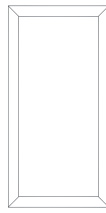
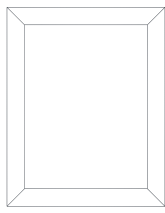
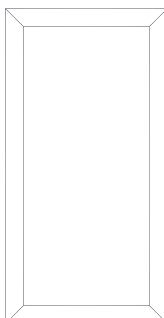
Drawer front appearance and size limits:

SLAB	Slab 2-1/2" – 18" H 	DFMD	Slab 2-1/2" – <4-1/4" H 	5-pc 1/4" recessed panel 4-1/4" – <5-7/16" H 	5-pc solid raised panel 5-7/16" – 18" H
	Rail height will vary based on drawer front height					




Wood Doors

<p style="text-align: center;">Trio (TRO)</p> 		PRICE POINT: M9		<p style="text-align: center;">Standard Edge Detail</p> 
		<p style="text-align: center;">Hinges (per door)</p>	<p style="text-align: center;">\$0</p>	
		<p style="text-align: center;">\$29</p>	<p style="text-align: center;">Concealed IM</p>	<p style="text-align: center;">Prep for Glass</p>
		<p style="text-align: center;">Drawer Fronts</p>	<p style="text-align: center;">\$0</p>	
<p style="text-align: center;">Wood Species</p>		<p style="text-align: center;">\$153</p>	<p style="text-align: center;">DFMD</p>	<p style="text-align: center;">RFG, MGD, MGDH, MGDN</p> <p style="text-align: center;">See pgs M-9 – M-10 for details</p>
		<p style="text-align: center;">0%</p>	<p style="text-align: center;">Red Oak</p>	
		<p style="text-align: center;">0%</p>	<p style="text-align: center;">Beech</p>	
		<p style="text-align: center;">5%</p>	<p style="text-align: center;">Hickory</p>	
		<p style="text-align: center;">6%</p>	<p style="text-align: center;">Alder</p>	
		<p style="text-align: center;">10%</p>	<p style="text-align: center;">Maple</p>	
		<p style="text-align: center;">20%</p>	<p style="text-align: center;">Cherry</p>	
<p style="text-align: center;">40%</p>	<p style="text-align: center;">VG Fir</p>	<p style="text-align: center;">Available on Red Oak or Maple +</p>		
<p style="text-align: center;">Type</p>	<p style="text-align: center;">Mitered</p>	<p style="text-align: center;">Paint</p>	<p style="text-align: center;">10% Curated Paints</p>	
<p style="text-align: center;">Center Panel</p>	<p style="text-align: center;">1/4" thick</p>	<p style="text-align: center;">20% Pick Your Paint</p>		
<p style="text-align: center;">Stile Width</p>	<p style="text-align: center;">3"</p>			
<p style="text-align: center;">Rail Width</p>	<p style="text-align: center;">3"</p>			


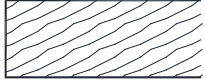
Door & panel appearance and size limits:

4" - <7" W	1-3/4" Stile & Rail 7" - <8-1/2" W	3" Stile & Rail 8-1/2" - 36" W	8-13/16" - 73" H
			


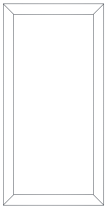
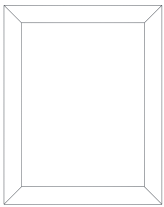
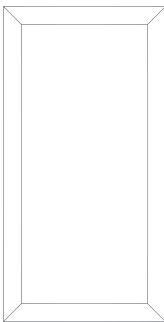
Drawer front appearance and size limits:

SLAB	<p style="text-align: center;">Slab 2-1/2" - 18" H</p> 	DFMD	<p style="text-align: center;">Slab 2-1/2" - <5-7/16" H</p> 	<p style="text-align: center;">5-pc 1/4" recessed panel 5-7/16" - 18" H</p>  <p style="text-align: center;">1-3/4" W stiles & rails</p>
-------------	---	-------------	---	---




Wood Doors

<p>Trio Solid (TROS)</p> 		PRICE POINT: M13				<p>Standard Edge Detail</p> 													
		<p>Hinges (per door)</p>	\$0	Concealed			<p>Prep for Glass</p>	<p>RFG, MGD, MGDH, MGDN</p> <p>See pgs M-9 – M-10 for details</p>											
\$29	Concealed IM																		
<p>Drawer Fronts</p>	\$0	Slab		<p>Paint</p>	<p>Available on Red Oak or Maple +</p>														
	\$153	DFMD																	
<p>Wood Species</p>	0%		Red Oak		<p>10%</p>	15%	Rustic												
	0%		Beech	7%				Rustic											
	4%		Alder	7%	Rustic														
	5%		Hickory	7%	Rustic														
	10%		Maple	15%	Rustic														
	20%		Cherry																
	30%		Sapele																
	35%		Rift White Oak																
	40%		VG Fir																
<table border="1"> <tr> <th>Type</th> <td>Mitered</td> </tr> <tr> <th>Center Panel</th> <td>3/8" thick solid wood</td> </tr> <tr> <th>Stile Width</th> <td>3"</td> </tr> <tr> <th>Rail Width</th> <td>3"</td> </tr> </table>	Type	Mitered	Center Panel	3/8" thick solid wood	Stile Width	3"	Rail Width	3"					<table border="1"> <tr> <th>Paint</th> <td>10%</td> <td>Curated Paints</td> </tr> <tr> <td></td> <td>20%</td> <td>Pick Your Paint</td> </tr> </table>	Paint	10%	Curated Paints		20%	Pick Your Paint
Type	Mitered																		
Center Panel	3/8" thick solid wood																		
Stile Width	3"																		
Rail Width	3"																		
Paint	10%	Curated Paints																	
	20%	Pick Your Paint																	

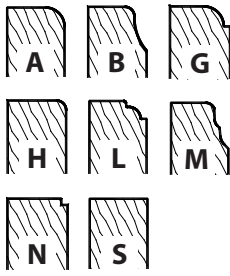

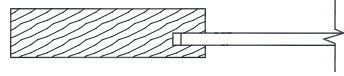
Door & panel appearance and size limits:

4" - <7" W	1-3/4" Stile & Rail 7" - <8-1/2" W	3" Stile & Rail 8-1/2" - 36" W	8-13/16" - 73" H
			

Drawer front appearance and size limits:

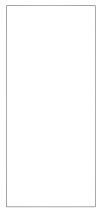
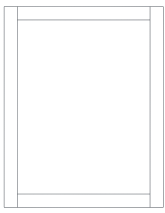
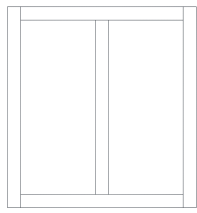
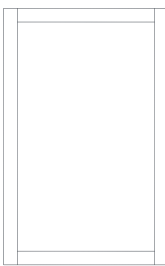
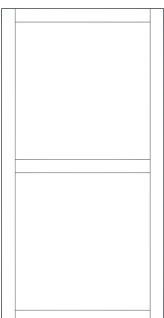
<p>SLAB</p>	<p>Slab</p> <p>2-1/2" – 18" H</p> 	<p>DFMD</p>	<p>Slab</p> <p>2-1/2" – <5-7/16" H</p> 	<p>5-pc solid recessed panel</p> <p>5-7/16" – 18" H</p>  <p>1-3/4" W stiles & rails</p>

Wood Doors





Valley Forge (VAF)		PRICE POINT: M8			
	Hinges (per door)	\$0	Concealed		
	Drawer Fronts	\$0	Slab Only		
	Wood Species	0%	Red Oak	Prep for Glass	RFG, MGD, MGDC, MGDH, MGDN, MGDX
	0%	Beech	See pgs M-9 – M-11 for details		
	0%	Hickory			
	6%	Alder	Paint	Available on Red Oak or Maple +	
	10%	Maple		10% Curated Paints	
	20%	Cherry	20% Pick Your Paint		
40%	VG Fir				

Type	Mortise & Tenon
Center Panel	1/4" thick
Stile Width	3"
Rail Width	3"

Door & panel appearance and size limits:

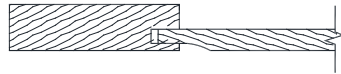
4" - <7" W	7" - 27" W	Center Mullion Added >27" - 36" W		8-3/4" - 52" H	Center Rail Added >52" - 73" H
					
Doors under 8-1/2" wide: stiles vary by width					

Drawer front appearance and size limits:

SLAB	Slab 2-1/2" – 18" H		3-piece slab - ordered 2-1/2" – 18" H		DFMD	3-piece slab 2-1/2" – <4-1/4" H		5-pc 1/4" recessed panel 4-1/4" – 18" H
								
								Rail height will vary based on drawer front height

Wood Doors

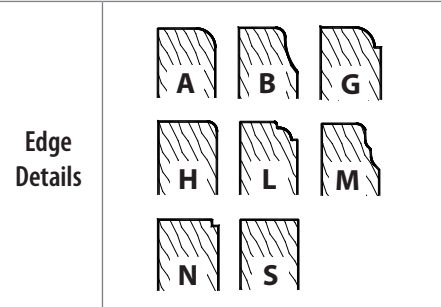
Valley Forge Solid (VAFS)



Type	Mortise & Tenon
Center Panel	3/8" thick solid wood
Stile Width	3"
Rail Width	3"

PRICE POINT: M9

Hinges (per door)	\$0	Concealed		
	\$29	Concealed IM		
Drawer Fronts	\$0	Slab		
	\$90	3-Piece		
	\$153	DFMD		
Wood Species	0%	Red Oak		
	0%	Hickory	5%	Rustic
	0%	Beech	7%	Rustic
	4%	Alder	7%	Rustic
	10%	Maple	15%	Rustic
	20%	Cherry		
	30%	Bamboo		
	30%	Carbonized Bamboo		
	30%	Sapele		
	35%	Rift White Oak		
40%	Black Walnut			
40%	VG Fir			



Prep for Glass

RFG,
MGD, MGDC, MGDH,
MGDN, MGDX

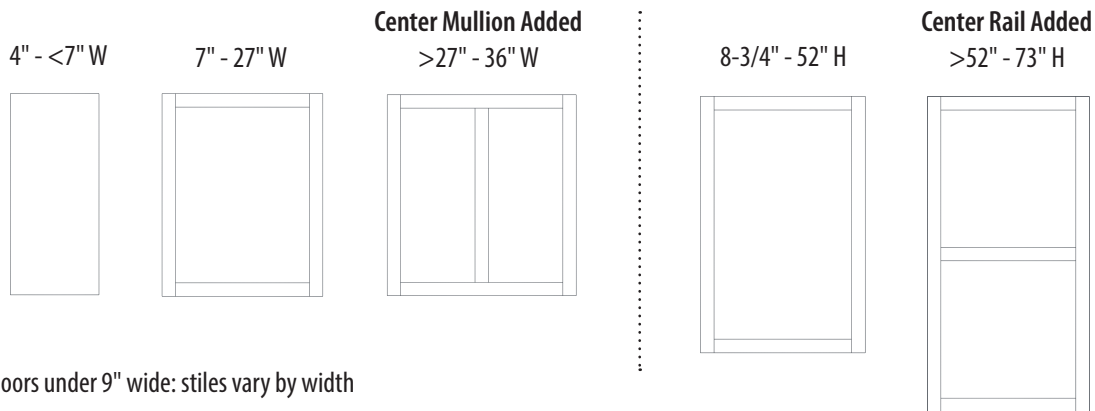
See pgs M-9 – M-11 for details

Paint

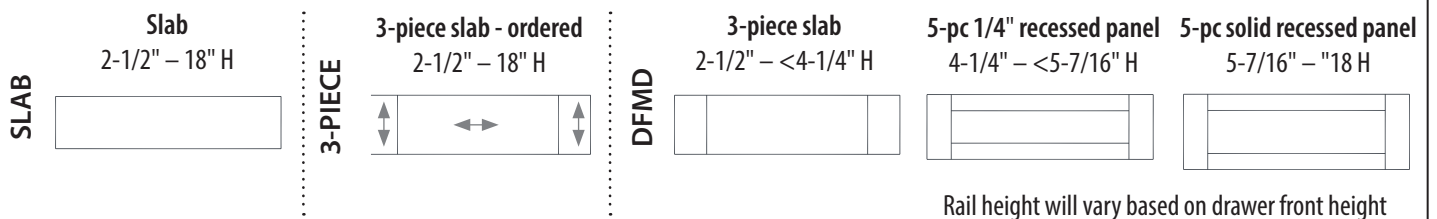
Available on Red Oak or Maple +

10%	Curated Paints
20%	Pick Your Paint

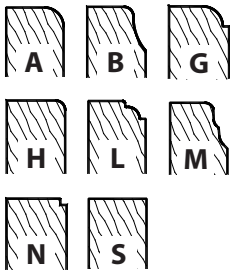



Door & panel appearance and size limits:




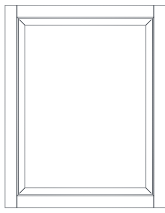
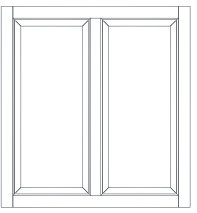
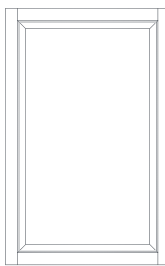
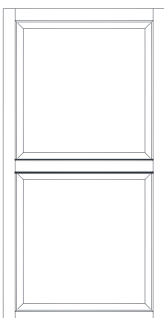
Drawer front appearance and size limits:







Wood Doors

Windsor (WIN)		PRICE POINT: M6					
	Hinges (per door)	\$0	Concealed				
	Drawer Fronts	\$153	DFMD				
		Wood Species		Edge Details A B G H L M N S			
		Type				Mortise & Tenon	
Center Panel		3/4" thick solid wood		Prep for Glass RFG, MGD, MGDC, MGDH, MGDN, MGDX See pgs M-9 – M-11 for details			
Stile Width		2-1/4"					
Rail Width		2-1/4"		Paint Available on Red Oak or Maple + 10% Curated Paints 20% Pick Your Paint			
Drawer Fronts		\$0 Slab					
		0% Red Oak		Paint Available on Red Oak or Maple + 10% Curated Paints 20% Pick Your Paint			
		0% Hickory				5% Rustic	
		0% Beech				7% Rustic	
		4% Alder				7% Rustic	
		10% Maple				15% Rustic	
		20% Cherry					
		30% Bamboo					
		30% Carbonized Bamboo					
		30% Sapele					
		40% Black Walnut					


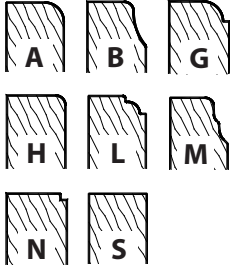

Door & panel appearance and size limits:

4" - <7" W	7" - 27" W	Center Mullion Added >27" - 36" W	8-3/4" - 52" H	Center Rail Added >52" - 73" H
				
Doors under 7-1/2" wide: stiles vary by width				


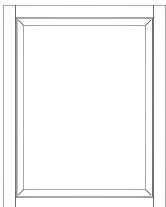
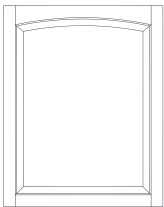
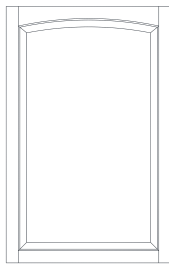
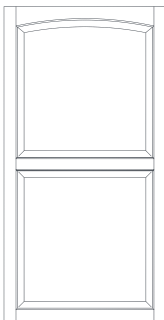
Drawer front appearance and size limits:

SLAB	Slab 2-1/2" - 18" H	DFMD	Slab 2-1/2" - <4-1/4" H	5-pc 1/4" recessed panel 4-1/4" - <5-7/16" H	5-pc solid raised panel 5-7/16" - 18" H
					
Rail height will vary based on drawer front height					




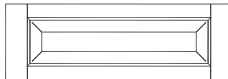
Wood Doors

Windsor Roman (WIN-R) 		PRICE POINT: M6A																
		Hinges (per door)		\$0	Concealed													
		Hinges (per door)		\$29	Concealed IM													
		Drawer Fronts		\$0	Slab													
		Drawer Fronts		\$153	DFMD													
		Wood Species		0%	Red Oak													
<table border="1"> <tr> <td>Type</td> <td>Mortise & Tenon</td> </tr> <tr> <td>Center Panel</td> <td>3/4" thick solid wood</td> </tr> <tr> <td>Stile Width</td> <td>2-1/4"</td> </tr> <tr> <td>Rail Width</td> <td>2-1/4"</td> </tr> </table>		Type	Mortise & Tenon	Center Panel	3/4" thick solid wood	Stile Width	2-1/4"	Rail Width	2-1/4"	0%	Hickory	5%	Rustic					
		Type	Mortise & Tenon															
		Center Panel	3/4" thick solid wood															
		Stile Width	2-1/4"															
		Rail Width	2-1/4"															
		0%	Beech	7%	Rustic													
4%	Alder	7%	Rustic															
10%	Maple	15%	Rustic															
20%	Cherry																	
30%	Sapele																	
<table border="1"> <tr> <td>Prep for Glass</td> <td colspan="2">RFG, MGD, MGDH</td> </tr> <tr> <td colspan="2">See pgs M-9 – M-10 for details</td> </tr> <tr> <td>Paint</td> <td colspan="2">Available on Red Oak or Maple +</td> </tr> <tr> <td></td> <td>10%</td> <td>Curated Paints</td> </tr> <tr> <td></td> <td>20%</td> <td>Pick Your Paint</td> </tr> </table>		Prep for Glass	RFG, MGD, MGDH		See pgs M-9 – M-10 for details		Paint	Available on Red Oak or Maple +			10%	Curated Paints		20%	Pick Your Paint			
		Prep for Glass	RFG, MGD, MGDH															
		See pgs M-9 – M-10 for details																
Paint	Available on Red Oak or Maple +																	
	10%	Curated Paints																
	20%	Pick Your Paint																




































Door & panel appearance and size limits:

4" - <7" W	7" - 8-1/2" W	Arched Top 8-1/2" - 27" W	Arched Top 8-3/4" - 52" H	Center Rail Added >52" - 73" H	Arch is applied to: • Wall cabinets • Top door(s) of stacked cabinets • Top door(s) of Tall cabinets Includes finished end options with doors
					
Doors under 7-1/2" wide: stiles vary by width					



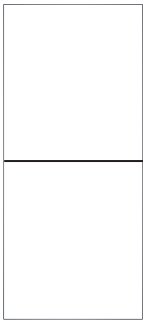
Drawer front appearance and size limits:

SLAB	Slab 2-1/2" – 18" H	DFMD	Slab 2-1/2" – <4-1/4" H	5-pc 1/4" recessed panel 4-1/4" – <5-7/16" H	5-pc solid raised panel 5-7/16" – 18" H
					
Rail height will vary based on drawer front height					

Slab Wood Doors

Copenhagen (CPH)																																						
 		PRICE POINT: M6		<table border="1"> <tr> <td rowspan="3">Wood Edge Details</td> <td></td> <td></td> <td></td> </tr> <tr> <td></td> <td></td> <td></td> </tr> <tr> <td></td> <td></td> <td></td> </tr> <tr> <td>HDF Edge Details</td> <td></td> <td></td> <td></td> </tr> <tr> <td>Prep for Glass</td> <td colspan="3" style="text-align: center;">Not Available</td> </tr> <tr> <td rowspan="2">Paint</td> <td colspan="3" style="text-align: center;">Available on HDF* only +</td> </tr> <tr> <td>10%</td> <td colspan="2">Curated Paints</td> </tr> <tr> <td></td> <td>20%</td> <td colspan="2">Pick Your Paint</td> </tr> <tr> <td colspan="4">*Painted HDF material will be used for doors, fronts and SFPOs only. Box components, accessories, oven panels and tambour doors will be painted maple.</td> </tr> </table>		Wood Edge Details										HDF Edge Details				Prep for Glass	Not Available			Paint	Available on HDF* only +			10%	Curated Paints			20%	Pick Your Paint		*Painted HDF material will be used for doors, fronts and SFPOs only. Box components, accessories, oven panels and tambour doors will be painted maple.			
		Wood Edge Details																																				
																																						
																																						
		HDF Edge Details																																				
		Prep for Glass	Not Available																																			
		Paint	Available on HDF* only +																																			
			10%			Curated Paints																																
			20%			Pick Your Paint																																
		*Painted HDF material will be used for doors, fronts and SFPOs only. Box components, accessories, oven panels and tambour doors will be painted maple.																																				
Hinges (per door)	\$0	Concealed																																				
	\$29	Concealed IM																																				
Drawer Fronts	\$0	Slab only																																				
Wood Species	0%	Red Oak																																				
	0%	Beech																																				
	0%	Hickory																																				
	0%	HDF (for paint)																																				
	4%	Alder																																				
	10%	Maple																																				
	20%	Cherry																																				
	30%	Sapele																																				
40%	Black Walnut																																					
Wood doors are constructed from multiple pieces. A range of grain patterns and colors may appear on the same panel.																																						
Type	Solid Wood or HDF																																					
Panel	3/4" thick																																					
Grain	Doors: Vertical																																					
Direction	Drawers: Horizontal																																					


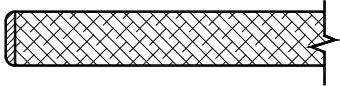
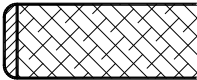
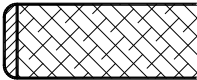
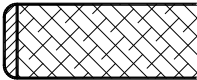
Door & panel appearance and size limits:

2 Equal Sized Doors Battened Together		
4" - 35" W	8-3/4" - 49-3/4" H	>49-3/4" - 73" H
		

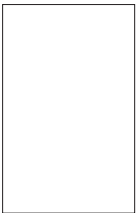
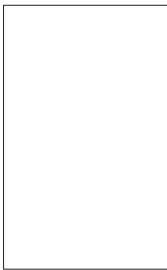
Drawer front appearance and size limits:

SLAB	2-1/2" - 18" H
	

Slab Wood Doors

<p>Corsica (CRS)</p>  		<p>PRICE POINT: M16</p> <table border="1"> <tr> <td rowspan="2">Hinges (per door)</td> <td>\$0</td> <td>Concealed</td> </tr> <tr> <td>\$29</td> <td>Concealed IM</td> </tr> <tr> <td>Drawer Fronts</td> <td>\$0</td> <td>Slab</td> </tr> <tr> <td rowspan="6">Wood Species</td> <td rowspan="2">0%</td> <td>Beech</td> </tr> <tr> <td>Bamboo</td> </tr> <tr> <td rowspan="2">30%</td> <td>Pecan / Sable / Toffee Unfinished only</td> </tr> <tr> <td>Carbonized Bamboo Natural / Unfinished only</td> </tr> <tr> <td>30%</td> <td>Sapele</td> </tr> <tr> <td>35%</td> <td>Rift White Oak</td> </tr> </table> <p>SEE HORIZONTAL GRAIN RULES PG G-18</p> <p>Veneer is not sequentially matched between parts, or from one cabinet to the next</p> <p>Veneer patterns and colors are not guaranteed to match</p>		Hinges (per door)	\$0	Concealed	\$29	Concealed IM	Drawer Fronts	\$0	Slab	Wood Species	0%	Beech	Bamboo	30%	Pecan / Sable / Toffee Unfinished only	Carbonized Bamboo Natural / Unfinished only	30%	Sapele	35%	Rift White Oak	<table border="1"> <tr> <td>Standard Edge Detail</td> <td></td> </tr> <tr> <td>Edge</td> <td>1/8" thick solid wood surround runs full length on sides, showing end grain on top & bottom of doors and drawer fronts</td> </tr> <tr> <td>Prep for Glass</td> <td>RFG 3-3/8" surround all sides</td> </tr> <tr> <td>Paint</td> <td>Not Available Select Copenhagen HDF</td> </tr> </table>		Standard Edge Detail		Edge	1/8" thick solid wood surround runs full length on sides, showing end grain on top & bottom of doors and drawer fronts	Prep for Glass	RFG 3-3/8" surround all sides	Paint	Not Available Select Copenhagen HDF
Hinges (per door)	\$0	Concealed																														
	\$29	Concealed IM																														
Drawer Fronts	\$0	Slab																														
Wood Species	0%	Beech																														
		Bamboo																														
	30%	Pecan / Sable / Toffee Unfinished only																														
		Carbonized Bamboo Natural / Unfinished only																														
	30%	Sapele																														
	35%	Rift White Oak																														
Standard Edge Detail																																
Edge	1/8" thick solid wood surround runs full length on sides, showing end grain on top & bottom of doors and drawer fronts																															
Prep for Glass	RFG 3-3/8" surround all sides																															
Paint	Not Available Select Copenhagen HDF																															
<table border="1"> <tr> <td>Type</td> <td>Slab</td> </tr> <tr> <td>Material</td> <td>Wood veneer on PBD substrate</td> </tr> <tr> <td>Thickness</td> <td>3/4"</td> </tr> <tr> <td>Grain Direction</td> <td>Doors: Horizontal Drawers: Horizontal</td> </tr> <tr> <td>Edge</td> <td>1/8" solid wood surround</td> </tr> </table> <p>See pg G-18 for Horizontal Grain rules</p>		Type	Slab	Material	Wood veneer on PBD substrate	Thickness	3/4"	Grain Direction	Doors: Horizontal Drawers: Horizontal	Edge	1/8" solid wood surround																					
Type	Slab																															
Material	Wood veneer on PBD substrate																															
Thickness	3/4"																															
Grain Direction	Doors: Horizontal Drawers: Horizontal																															
Edge	1/8" solid wood surround																															


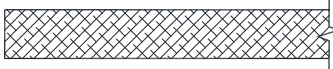
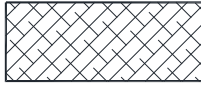
Door & panel appearance and size limits:

<p>4" - 48" W</p> 	<p>8-3/4" - 73" H*</p> 	<p>*Doors over 47" H will have spliced face and back veneers which may be randomly located. Splice and glue joints may be visible.</p>	<p>Wood veneer materials can be composed of several spliced veneers. As a result, a variable range of grain patterns and colors may appear on the same panel.</p>
---	--	--	---



Drawer front appearance and size limits:

<p>2-1/2" - 18" H</p> 	<p>SLAB</p>
---	-------------

Slab Wood Doors

Dover (DOV)					
 	PRICE POINT: M2				
	Hinges (per door)	\$0	Concealed		
		\$29	Concealed IM		
	Drawer Fronts	\$0	Slab only		
	Wood Species	0%	Red Oak		
		0%	Beech		
		5%	Hickory		
		10%	Maple		
		20%	Cherry		
		30%	Bamboo		
Pecan / Sable / Toffee Unfinished only					
30%		Carbonized Bamboo			
	Natural / Unfinished only				
35%	Rift White Oak				
		Note: Alder and Sapele are available on Dover Plycore (see next page)			
Type	Wood Veneer				
Panel	3/4" thick PBD				
Grain	Doors: Vertical				
Direction	Drawers: Horizontal				
		Standard Edge Detail			
		Prep for Glass	Not Available		
		Paint	Not Available Select Copenhagen HDF		


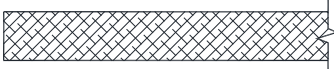
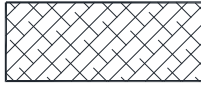
Door & panel appearance and size limits:

4" - 36" W	8-3/4" - 73" H	Wood veneer materials can be composed of several spliced veneers. As a result, a variable range of grain patterns and colors may appear on the same panel.
		



Drawer front appearance and size limits:

2-1/2" - 18" H	SLAB 

Slab Wood Doors

<p>Dover Plycore (DVP)</p>  	PRICE POINT: M2		<p>Standard Edge Detail</p> 
	<p>Hinges (per door)</p>	<p>\$0 Concealed</p> <p>\$29 Concealed IM</p>	
<p>Drawer Fronts</p>	<p>\$0 Slab only</p>	<p>Paint</p> <p>Not Available</p> <p>Select Copenhagen HDF</p>	
<p>Wood Species</p>	<p>0% Red Oak</p>		
	<p>0% Beech</p>		
	<p>5% Hickory</p>		
	<p>10% Alder</p>		
	<p>10% Maple</p>		
	<p>20% Cherry</p>		
<p>30% Sapele</p>			
<p>Plycore Up-charge</p>	<p>\$102 MSRP</p>	<p>Per Cabinet Box</p>	
<p>Type</p>	<p>Wood Veneer</p>		
<p>Panel</p>	<p>3/4" thick Plycore</p>		
<p>Grain Direction</p>	<p>Doors: Vertical</p> <p>Drawers: Horizontal</p>		

Door & panel appearance and size limits:

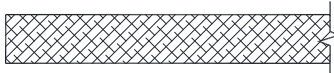
<p>4" - 36" W</p> 	<p>8-3/4" - 73" H</p> 	<p>Wood veneer materials can be composed of several spliced veneers. As a result, a variable range of grain patterns and colors may appear on the same panel.</p>
---	---	---

Drawer front appearance and size limits:

<p>SLAB</p> <p>2-1/2" - 18" H</p> 
--

Slab Wood Doors

Halifax (HAL)



Type	Slab
Material	Wood veneer on PBD substrate
Thickness	3/4"
Grain Direction	Doors: Vertical Drawers: Horizontal
Edge	5/16" solid wood edge cap

PRICE POINT: M3

Hinges (per door)	\$0	Concealed
	\$29	Concealed IM
Drawer Fronts	\$0	Slab only
Wood Species	0%	Red Oak
	0%	Beech
	0%	Hickory
	10%	Maple
	20%	Cherry

Note: Sapele is available on Halifax Plycore (see next page)

Edge Detail



Edge cap is 5/16" thick solid wood

Prep for Glass

Not Available

Note: Edge cap may be a different species than the face; specify both when ordering
When mixed, a 5% up-charge will apply to all cabinets with doors or fronts

Paint

Not Available

Select Copenhagen HDF

Door & panel appearance and size limits:

4" - 36" W



8-3/4" - 73" H



Wood veneer materials can be composed of several spliced veneers. As a result, a variable range of grain patterns and colors may appear on the same panel.


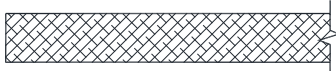



Drawer front appearance and size limits:

SLAB




2-1/2" - 18" H



Slab Wood Doors

Halifax Plycore (HALP)																																	
		PRICE POINT: M3																															
		<table border="1"> <tr> <td rowspan="2">Hinges (per door)</td> <td>\$0</td> <td colspan="2">Concealed</td> </tr> <tr> <td>\$29</td> <td colspan="2">Concealed IM</td> </tr> </table>		Hinges (per door)	\$0	Concealed		\$29	Concealed IM																								
Hinges (per door)	\$0	Concealed																															
	\$29	Concealed IM																															
		<table border="1"> <tr> <td>Drawer Fronts</td> <td>\$0</td> <td colspan="2">Slab only</td> </tr> </table>		Drawer Fronts	\$0	Slab only																											
Drawer Fronts	\$0	Slab only																															
		<table border="1"> <tr> <td rowspan="6">Wood Species (Face and Edges)</td> <td>0%</td> <td colspan="2">Red Oak</td> </tr> <tr> <td>0%</td> <td colspan="2">Beech</td> </tr> <tr> <td>0%</td> <td colspan="2">Hickory</td> </tr> <tr> <td>10%</td> <td colspan="2">Maple</td> </tr> <tr> <td>20%</td> <td colspan="2">Cherry</td> </tr> <tr> <td>30%</td> <td colspan="2">Sapele</td> </tr> </table>		Wood Species (Face and Edges)	0%	Red Oak		0%	Beech		0%	Hickory		10%	Maple		20%	Cherry		30%	Sapele												
Wood Species (Face and Edges)	0%	Red Oak																															
	0%	Beech																															
	0%	Hickory																															
	10%	Maple																															
	20%	Cherry																															
	30%	Sapele																															
		<table border="1"> <tr> <td>Plycore Up-charge</td> <td>\$102 MSRP</td> <td colspan="2">Per Cabinet Box</td> </tr> </table>		Plycore Up-charge	\$102 MSRP	Per Cabinet Box																											
Plycore Up-charge	\$102 MSRP	Per Cabinet Box																															
<table border="1"> <tr> <td>Type</td> <td>Slab</td> </tr> <tr> <td>Material</td> <td>Wood veneer on Plycore substrate</td> </tr> <tr> <td>Thickness</td> <td>3/4"</td> </tr> <tr> <td>Grain Direction</td> <td>Doors: Vertical Drawers: Horizontal</td> </tr> <tr> <td>Edge</td> <td>5/16" solid wood edge cap</td> </tr> </table>		Type	Slab	Material	Wood veneer on Plycore substrate	Thickness	3/4"	Grain Direction	Doors: Vertical Drawers: Horizontal	Edge	5/16" solid wood edge cap			<table border="1"> <tr> <td rowspan="2">Edge Detail</td> <td colspan="3">  </td> </tr> <tr> <td colspan="3">Edge cap is 5/16" thick solid wood</td> </tr> <tr> <td>Prep for Glass</td> <td colspan="3">Not Available</td> </tr> <tr> <td rowspan="2">Paint</td> <td colspan="3">Not Available</td> </tr> <tr> <td colspan="3">Select Copenhagen HDF</td> </tr> </table> <p>Note: Edge cap may be a different species than the face; specify both when ordering When mixed, a 5% up-charge will apply to all cabinets with doors or fronts</p>		Edge Detail				Edge cap is 5/16" thick solid wood			Prep for Glass	Not Available			Paint	Not Available			Select Copenhagen HDF		
Type	Slab																																
Material	Wood veneer on Plycore substrate																																
Thickness	3/4"																																
Grain Direction	Doors: Vertical Drawers: Horizontal																																
Edge	5/16" solid wood edge cap																																
Edge Detail																																	
	Edge cap is 5/16" thick solid wood																																
Prep for Glass	Not Available																																
Paint	Not Available																																
	Select Copenhagen HDF																																



Door & panel appearance and size limits:

4" - 36" W		8-3/4" - 73" H	<p>Wood veneer materials can be composed of several spliced veneers. As a result, a variable range of grain patterns and colors may appear on the same panel.</p>
			

Drawer front appearance and size limits:

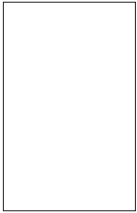
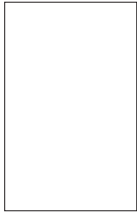
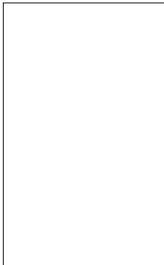
SLAB	<p>2-1/2" - 18" H</p> 
-------------	---

Slab Wood Doors (Bamboo Plywood)

Hana (HNA)						
		PRICE POINT: M6		Standard Edge Detail 		
		Hinges (per door)	\$0			Concealed
			\$29	Concealed IM		
		Drawer Fronts	\$0	Slab	Edges Edge grain core runs along sides; appearance of solid core runs on top/bottom of door	
		Wood Species & Finish Notes	30%	Bamboo		
All stains allowed on Bamboo plus Sea Drift						
Carbonized Bamboo						
Natural only						
Bamboo Ply Notes	Multiple strips of FSC certified Bamboo are laminated into a single-piece core board using formaldehyde-free adhesives		Prep for Glass Not Available Accessories Note Finished wood items will not be solid Bamboo plywood like doors except: APDF, DOOR, DF, FED, SFPO Substrate will follow existing rules and match cabinet box, unless otherwise specified with the item			
	Wood grain is not sequentially matched between parts, or from one cabinet to the next					
	Components are constructed from multiple pieces, so a range of grain patterns and colors may appear on the same panel					
		Bamboo patterns and colors are not guaranteed to match				

Type	Slab
Panel	3-Ply Bamboo plywood
Thickness	3/4"
Grain Direction	Doors: Vertical Drawers: Vertical
Edge	Bamboo plywood


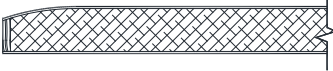
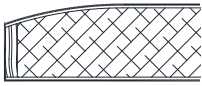
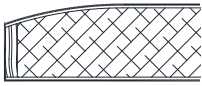
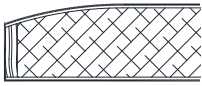
Door & panel appearance and size limits:

4" - 24" W	4" - 47" W	8-3/4" - 73" H
		



Drawer front appearance and size limits:

2-1/2" - 18" H
SLAB 

Slab Wood Doors

Hanover (HAN)  		PRICE POINT: M6		<table border="1"> <tr> <td rowspan="2" style="text-align: center;">Hinges (per door)</td> <td style="text-align: center;">\$0</td> <td>Concealed</td> </tr> <tr> <td style="text-align: center;">\$29</td> <td>Concealed IM</td> </tr> </table>		Hinges (per door)	\$0	Concealed	\$29	Concealed IM																
Hinges (per door)	\$0	Concealed																								
	\$29	Concealed IM																								
<table border="1"> <tr> <td style="text-align: center;">Drawer Fronts</td> <td style="text-align: center;">\$0</td> <td>Slab</td> </tr> </table>		Drawer Fronts	\$0	Slab	<table border="1"> <tr> <td rowspan="7" style="text-align: center;">Wood Species</td> <td style="text-align: center;">0%</td> <td>Red Oak</td> </tr> <tr> <td style="text-align: center;">0%</td> <td>Beech</td> </tr> <tr> <td style="text-align: center;">10%</td> <td>Alder</td> </tr> <tr> <td style="text-align: center;">10%</td> <td>Maple</td> </tr> <tr> <td style="text-align: center;">20%</td> <td>Cherry</td> </tr> <tr> <td style="text-align: center;">35%</td> <td>Rift White Oak</td> </tr> <tr> <td style="text-align: center;">40%</td> <td>VG Fir</td> </tr> </table>		Wood Species	0%	Red Oak	0%	Beech	10%	Alder	10%	Maple	20%	Cherry	35%	Rift White Oak	40%	VG Fir	<table border="1"> <tr> <td rowspan="2" style="text-align: center;">Standard Edge Detail</td> <td colspan="2" style="text-align: center;">  3mm edge tape </td> </tr> </table>		Standard Edge Detail	 3mm edge tape	
		Drawer Fronts	\$0	Slab																						
Wood Species	0%	Red Oak																								
	0%	Beech																								
	10%	Alder																								
	10%	Maple																								
	20%	Cherry																								
	35%	Rift White Oak																								
	40%	VG Fir																								
Standard Edge Detail	 3mm edge tape																									
	<table border="1"> <tr> <td rowspan="2" style="text-align: center;">Prep for Glass</td> <td colspan="2" style="text-align: center;">RFG</td> </tr> <tr> <td colspan="2" style="text-align: center;">See pg M-11 for details</td> </tr> </table>		Prep for Glass	RFG		See pg M-11 for details																				
Prep for Glass	RFG																									
	See pg M-11 for details																									
<table border="1"> <tr> <td rowspan="2" style="text-align: center;">Type</td> <td>Wood Veneer</td> </tr> <tr> <td>Panel</td> <td>3/4" thick MDF</td> </tr> <tr> <td rowspan="2" style="text-align: center;">Grain Direction</td> <td>Doors: Vertical</td> </tr> <tr> <td>Drawers: Vertical</td> </tr> </table>		Type	Wood Veneer	Panel	3/4" thick MDF	Grain Direction	Doors: Vertical	Drawers: Vertical	<table border="1"> <tr> <td rowspan="2" style="text-align: center;">Paint</td> <td colspan="2" style="text-align: center;">Not Available</td> </tr> <tr> <td colspan="2" style="text-align: center;">Select Copenhagen HDF</td> </tr> </table>		Paint	Not Available		Select Copenhagen HDF												
Type	Wood Veneer																									
	Panel	3/4" thick MDF																								
Grain Direction	Doors: Vertical																									
	Drawers: Vertical																									
Paint	Not Available																									
	Select Copenhagen HDF																									



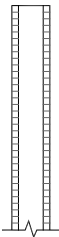
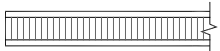
Door & panel appearance and size limits:

4" - 36" W 	8-3/4" - 73" H 	Wood veneer materials can be composed of several spliced veneers. As a result, a variable range of grain patterns and colors may appear on the same panel.
---	---	--

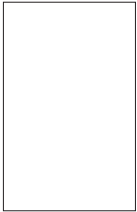
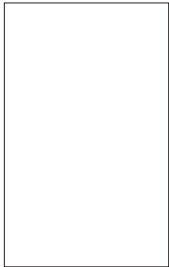

Drawer front appearance and size limits:

2-1/2" - 18" H 	SLAB
---	-------------

Slab Wood Doors (Bamboo Plywood)

<p>Lanai (LAN)</p> 	PRICE POINT: M6		<p>Standard Edge Detail</p> 								
	<p>Hinges (per door)</p>	<p>\$0 Concealed</p> <p>\$29 Concealed IM</p>		<p>Edges</p> <p>Appearance of solid core runs along sides; edge grain core runs on top/bottom of door</p>							
<p>Drawer Fronts</p>	<p>\$0 Slab</p>	<p>Wood Species & Finish Notes</p> <p>30% Bamboo</p> <p>All stains allowed on Bamboo plus Sea Drift</p> <p>Carbonized Bamboo</p> <p>Natural only</p>	<p>Side View</p>  <p>Top/bottom View Edge Grain</p> 								
<p>Bamboo Ply Notes</p>	<p>Multiple strips of FSC certified Bamboo are laminated into a single-piece core board using formaldehyde-free adhesives</p> <p>Wood grain is not sequentially matched between parts, or from one cabinet to the next</p> <p>Components are constructed from multiple pieces, so a range of grain patterns and colors may appear on the same panel</p> <p>Bamboo patterns and colors are not guaranteed to match</p>			<p>Prep for Glass</p> <p>Not Available</p>							
<table border="1"> <tr> <td>Type</td> <td>Slab</td> </tr> <tr> <td>Panel</td> <td>3-Ply Bamboo plywood</td> </tr> <tr> <td>Thickness</td> <td>3/4"</td> </tr> <tr> <td>Grain Direction</td> <td>Doors: Horizontal Drawers: Horizontal</td> </tr> <tr> <td>Edge</td> <td>Bamboo plywood</td> </tr> </table> <p>See pg G-18 for Horizontal Grain rules</p>	Type	Slab	Panel	3-Ply Bamboo plywood	Thickness	3/4"	Grain Direction	Doors: Horizontal Drawers: Horizontal	Edge	Bamboo plywood	<p>Accessories Note</p> <p>Finished wood items will not be solid Bamboo plywood like doors except: APDF, DOOR, DF, FED, SFPO</p> <p>Substrate will follow existing rules and match cabinet box, unless otherwise specified with the item</p>
Type	Slab										
Panel	3-Ply Bamboo plywood										
Thickness	3/4"										
Grain Direction	Doors: Horizontal Drawers: Horizontal										
Edge	Bamboo plywood										


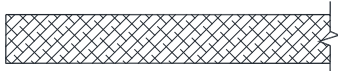

Door & panel appearance and size limits:

6" - 24" W	8-3/4" - 47" H	>47" - 73" H*	<p>*Over 47" H will be two equal size doors battened together</p>
			

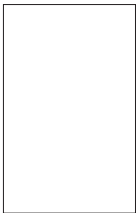
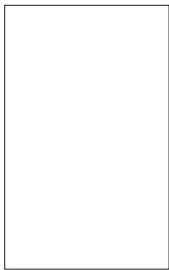
Drawer front appearance and size limits:

2-1/2" - 18" H
<p>SLAB</p> 

Slab Wood Doors

Nova (NOV)  		PRICE POINT: M8		Edge Detail 																																												
<table border="1"> <tr> <td>Type</td> <td>Slab</td> </tr> <tr> <td>Material</td> <td>Wood veneer on PBD substrate</td> </tr> <tr> <td>Thickness</td> <td>3/4"</td> </tr> <tr> <td>Grain Direction</td> <td>Doors: Vertical Drawers: Vertical</td> </tr> <tr> <td>Edge</td> <td>0.5mm wood edge tape</td> </tr> </table>		Type	Slab	Material	Wood veneer on PBD substrate	Thickness	3/4"	Grain Direction	Doors: Vertical Drawers: Vertical	Edge	0.5mm wood edge tape	<table border="1"> <tr> <td>Hinges (per door)</td> <td>\$0</td> <td>Concealed</td> </tr> <tr> <td></td> <td>\$29</td> <td>Concealed IM</td> </tr> <tr> <td>Drawer Fronts</td> <td>\$0</td> <td>Slab</td> </tr> <tr> <td rowspan="7">Wood Species</td> <td>0%</td> <td>Beech</td> </tr> <tr> <td>10%</td> <td>Maple</td> </tr> <tr> <td>20%</td> <td>Cherry</td> </tr> <tr> <td rowspan="2">30%</td> <td>Bamboo</td> </tr> <tr> <td>Pecan / Sable / Toffee Unfinished only</td> </tr> <tr> <td rowspan="2">30%</td> <td>Carbonized Bamboo</td> </tr> <tr> <td>Natural / Unfinished only</td> </tr> <tr> <td>30%</td> <td>Sapele</td> </tr> <tr> <td>35%</td> <td>Rift White Oak</td> </tr> <tr> <td></td> <td>40%</td> <td>VG Fir</td> </tr> </table>		Hinges (per door)	\$0	Concealed		\$29	Concealed IM	Drawer Fronts	\$0	Slab	Wood Species	0%	Beech	10%	Maple	20%	Cherry	30%	Bamboo	Pecan / Sable / Toffee Unfinished only	30%	Carbonized Bamboo	Natural / Unfinished only	30%	Sapele	35%	Rift White Oak		40%	VG Fir	<table border="1"> <tr> <td>Prep for Glass</td> <td>Not Available</td> </tr> <tr> <td>Paint</td> <td>Not Available Select Copenhagen HDF</td> </tr> </table>		Prep for Glass	Not Available	Paint	Not Available Select Copenhagen HDF
Type	Slab																																															
Material	Wood veneer on PBD substrate																																															
Thickness	3/4"																																															
Grain Direction	Doors: Vertical Drawers: Vertical																																															
Edge	0.5mm wood edge tape																																															
Hinges (per door)	\$0	Concealed																																														
	\$29	Concealed IM																																														
Drawer Fronts	\$0	Slab																																														
Wood Species	0%	Beech																																														
	10%	Maple																																														
	20%	Cherry																																														
	30%	Bamboo																																														
		Pecan / Sable / Toffee Unfinished only																																														
	30%	Carbonized Bamboo																																														
		Natural / Unfinished only																																														
30%	Sapele																																															
35%	Rift White Oak																																															
	40%	VG Fir																																														
Prep for Glass	Not Available																																															
Paint	Not Available Select Copenhagen HDF																																															
<p>Veneer is sequentially matched per cabinet, but not cabinet to cabinet</p> <p>Veneer patterns and colors are not guaranteed to match</p>																																																


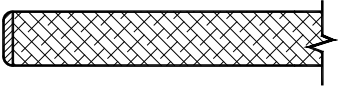
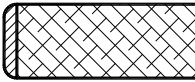
Door & panel appearance and size limits:

4" - 36" W 	8-3/4" - 73" H 	<p>Wood veneer materials can be composed of several spliced veneers. As a result, a variable range of grain patterns and colors may appear on the same panel.</p>
---	---	---

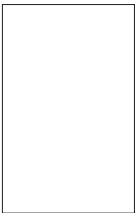
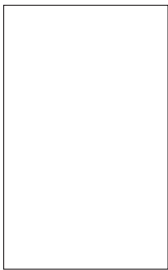
Drawer front appearance and size limits:

SLAB	2-1/2" - 18" H 
-------------	---

Slab Wood Doors

Solano (SOL)																		
 		PRICE POINT: M10		Standard Edge Detail 														
		Hinges (per door)	\$0			Concealed												
			\$29	Concealed IM	Edge 1/8" thick solid wood surround runs full length on sides, showing end grain on top & bottom of doors and drawer fronts													
		Drawer Fronts	\$0	Slab														
		Wood Species	0%	Beech			Prep for Glass RFG 3-3/8" surround all sides											
				Bamboo														
			30%	Pecan / Sable / Toffee Unfinished only														
30%	Carbonized Bamboo Natural / Unfinished only																	
30%	Sapele																	
	35%	Rift White Oak																
<table border="1"> <tr> <td>Type</td> <td>Slab</td> </tr> <tr> <td>Material</td> <td>Wood Veneer on PBD substrate</td> </tr> <tr> <td>Thickness</td> <td>3/4"</td> </tr> <tr> <td>Grain Direction</td> <td>Doors: Vertical Drawers: Vertical</td> </tr> <tr> <td>Edge</td> <td>1/8" solid wood surround</td> </tr> </table>		Type	Slab	Material	Wood Veneer on PBD substrate	Thickness	3/4"	Grain Direction	Doors: Vertical Drawers: Vertical	Edge	1/8" solid wood surround	Veneer is not sequentially matched between parts, or from one cabinet to the next Veneer patterns and colors are not guaranteed to match		<table border="1"> <tr> <td rowspan="2">Paint</td> <td>Not Available</td> </tr> <tr> <td>Select Copenhagen HDF</td> </tr> </table>		Paint	Not Available	Select Copenhagen HDF
Type	Slab																	
Material	Wood Veneer on PBD substrate																	
Thickness	3/4"																	
Grain Direction	Doors: Vertical Drawers: Vertical																	
Edge	1/8" solid wood surround																	
Paint	Not Available																	
	Select Copenhagen HDF																	

Door & panel appearance and size limits:

4" - 48" W	8-3/4" - 73" H	<p>Wood veneer materials can be composed of several spliced veneers. As a result, a variable range of grain patterns and colors may appear on the same panel.</p>
		

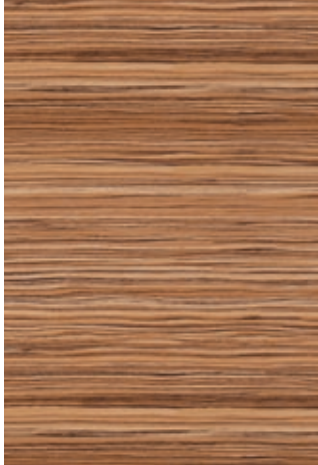
Drawer front appearance and size limits:

SLAB	2-1/2" - 18" H
	

Exotic Wood Veneers

See Door Style pages for individual specifications

Avalon (pg G-105)



Coronado (pg G-106)



Strata (pg G-107)



General Information

Finish	Natural & Unfinished only	Veneer Notes	Veneer is not sequentially matched between parts, or from one cabinet to the next Components are constructed from multiple pieces, so a range of grain patterns and colors may appear on the same panel Veneer patterns and colors are not guaranteed to match
Substrate	MDF for doors, drawer fronts and other door-like items		
Wood Characteristics	Natural Wood Veneer will have visible color, texture or grain variations from piece to piece and order to order As natural characteristics of wood, these variations are not considered defects and therefore will not be replaceable under a warranty		
		Fillers	Fillers will be veneer with corresponding edge band

Cabinets Not Available

Apothecary Drawer	Spice Drawer	Plate Display
Cabinets with exposed breadboards	Tambour Door (appliance garage)	Wine Rack with Lattice

Accessories Not Available

Backsplash: BSP_	Light, Arched & Country Valances & Toekick Valances	Wood tops: WTF
Finished Panel: FP9648		Stemware holder: STEMS
Brackets, Feet, Legs, Toekick brackets, Toekick corners	Fluted scribe fillers: BFF, MFF, TFF, VFF & WFF	Mouldings (exceptions below)
Any accessory requiring solid wood		Columns

Modifications Not Available

Beaded Interior Back (BIB)
FMI Beaded Interior Back (FMI-BIB)
IAVAL, ICVAL

Finish Enhancements Not Available

All

Available Loose Items

CC96 (Cove Crown)	SC96 (Straight Crown)	SM96 (Scribe Moulding)
MR396-PLY and MR696-PLY	SF_ & SFPO	APDR, DOOR, DF, FED
Full sheet of material (CP 48x96) in 1/32", 1/2" & 3/4" thicknesses only	SVAL (Straight Valance): "S" Edge only, veneered one face & edge banded four sides	

Exotic Wood Veneers

Avalon (AVA)



PRICE POINT: M10

Hinges (per door)	\$0	Concealed	
	\$29	Concealed IM	
Drawer Fronts	\$0	Slab	
Wood Species	7%	RZW	Zebra wood
	15%	RW	Wenge
Edge Tape	SPECIES		EDGE TAPE
		RZW	American Walnut
		RW	Wenge

Standard Edge Detail



Edge

1/8" thick solid wood surround runs full length on sides, showing end grain on top & bottom of doors and drawer fronts

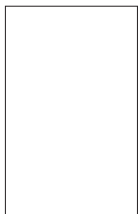
Prep for Glass

RFG
2-1/4" surround all sides

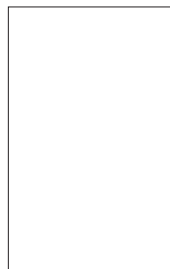
Type	Slab
Material	Exotic Wood Veneer on MDF substrate
Panel	3/4" thick
Grain Direction	Doors: Horizontal Drawers: Horizontal
Edge	1/8" solid wood surround
See pg G-18 for Horizontal Grain rules	

Door & panel appearance and size limits:

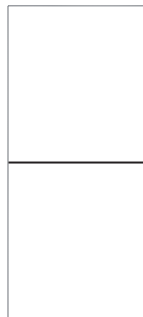
6" - 48" W



6" - 47" H



>47" - 73" H*



*Over 47" H will be two equal size doors batted together




Drawer front appearance and size limits:

SLAB

2-1/2" - 18" H



Exotic Wood Veneers

<p>Coronado (CDO)</p>   <table border="1"> <tr> <td>Type</td> <td>Slab</td> </tr> <tr> <td>Material</td> <td>Exotic Wood Veneer on MDF substrate</td> </tr> <tr> <td>Thickness</td> <td>3/4"</td> </tr> <tr> <td>Grain Direction</td> <td>Doors: Vertical Drawers: Vertical</td> </tr> <tr> <td>Edge</td> <td>1/8" solid wood surround</td> </tr> </table>	Type	Slab	Material	Exotic Wood Veneer on MDF substrate	Thickness	3/4"	Grain Direction	Doors: Vertical Drawers: Vertical	Edge	1/8" solid wood surround	<p>PRICE POINT: M10</p> <table border="1"> <tr> <td rowspan="2">Hinges (per door)</td> <td>\$0</td> <td colspan="2">Concealed</td> </tr> <tr> <td>\$29</td> <td colspan="2">Concealed IM</td> </tr> <tr> <td>Drawer Fronts</td> <td>\$0</td> <td colspan="2">Slab</td> </tr> <tr> <td rowspan="6">Wood Species</td> <td>0%</td> <td>QCH</td> <td>Quartered Cherry</td> </tr> <tr> <td>5%</td> <td>ARG</td> <td>American Red Gum</td> </tr> <tr> <td>7%</td> <td>RZW</td> <td>Zebrawood</td> </tr> <tr> <td>15%</td> <td>QES</td> <td>English Sycamore</td> </tr> <tr> <td>15%</td> <td>RRW</td> <td>Rosewood</td> </tr> <tr> <td>15%</td> <td>RW</td> <td>Wenge</td> </tr> <tr> <td rowspan="6">Edge Tape</td> <td colspan="2">SPECIES</td> <td>EDGE TAPE</td> </tr> <tr> <td>ARG</td> <td colspan="2">Cherry</td> </tr> <tr> <td>QCH</td> <td colspan="2"></td> </tr> <tr> <td>RZW</td> <td colspan="2">American Walnut</td> </tr> <tr> <td>QES</td> <td colspan="2">Sycamore</td> </tr> <tr> <td>RRW</td> <td colspan="2">Wenge</td> </tr> <tr> <td></td> <td>RW</td> <td colspan="2"></td> </tr> </table>		Hinges (per door)	\$0	Concealed		\$29	Concealed IM		Drawer Fronts	\$0	Slab		Wood Species	0%	QCH	Quartered Cherry	5%	ARG	American Red Gum	7%	RZW	Zebrawood	15%	QES	English Sycamore	15%	RRW	Rosewood	15%	RW	Wenge	Edge Tape	SPECIES		EDGE TAPE	ARG	Cherry		QCH			RZW	American Walnut		QES	Sycamore		RRW	Wenge			RW			<p>Standard Edge Detail</p> 
	Type	Slab																																																																
Material	Exotic Wood Veneer on MDF substrate																																																																	
Thickness	3/4"																																																																	
Grain Direction	Doors: Vertical Drawers: Vertical																																																																	
Edge	1/8" solid wood surround																																																																	
Hinges (per door)	\$0	Concealed																																																																
	\$29	Concealed IM																																																																
Drawer Fronts	\$0	Slab																																																																
Wood Species	0%	QCH	Quartered Cherry																																																															
	5%	ARG	American Red Gum																																																															
	7%	RZW	Zebrawood																																																															
	15%	QES	English Sycamore																																																															
	15%	RRW	Rosewood																																																															
	15%	RW	Wenge																																																															
Edge Tape	SPECIES		EDGE TAPE																																																															
	ARG	Cherry																																																																
	QCH																																																																	
	RZW	American Walnut																																																																
	QES	Sycamore																																																																
	RRW	Wenge																																																																
	RW																																																																	
		<p>Edge</p> <p>1/8" thick solid wood surround runs full length on sides, showing end grain on top & bottom of doors and drawer fronts</p>																																																																
		<p>Prep for Glass</p> <p>RFG 2-1/4" surround all sides</p>																																																																


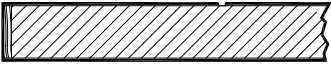

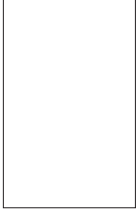
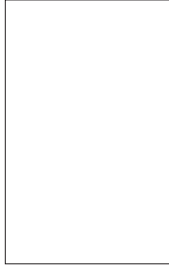
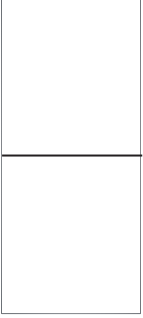

Door & panel appearance and size limits:

<p>Hinged Doors 6" - 48" W</p> 	<p>⋮</p>	<p>Hinged Doors 6" - 73" H</p> 
---	----------	---

Drawer front appearance and size limits:

<p>SLAB</p> <p>2-1/2" - 18" H</p> 
--

Exotic Wood Veneers

Strata (STR)		PRICE POINT: M15				Standard Edge Detail											
		Hinges (per door)	\$0	Concealed			1/8" matches vertical species selected										
			\$29	Concealed IM													
		Drawer Fronts	\$0	3-Piece Slab													
Wood Species Combinations																	
		STILES	%	CODE	CENTER PANEL												
		Quartered Cherry	20%	QCG	American Red Gum												
				QCW	Walnut												
				QCC	Quartered Cherry												
				QCR	Rosewood												
		Walnut	20%	QWG	American Red Gum												
				QWS	English Sycamore												
				QWZ	Zebrawood												
		Wenge	30%	RWG	American Red Gum												
				RWB	Caramelized Bamboo												
<table border="1"> <tr> <td>Type</td> <td>3-piece Slab</td> </tr> <tr> <td>Material</td> <td>Exotic Wood Veneer on MDF substrate</td> </tr> <tr> <td>Thickness</td> <td>3/4"</td> </tr> <tr> <td>Grain Direction</td> <td>3" W stiles: Vertical Center panel: Horizontal</td> </tr> <tr> <td>Edge</td> <td>1/8" solid wood surround</td> </tr> </table>		Type	3-piece Slab	Material	Exotic Wood Veneer on MDF substrate	Thickness	3/4"	Grain Direction	3" W stiles: Vertical Center panel: Horizontal	Edge	1/8" solid wood surround						
Type	3-piece Slab																
Material	Exotic Wood Veneer on MDF substrate																
Thickness	3/4"																
Grain Direction	3" W stiles: Vertical Center panel: Horizontal																
Edge	1/8" solid wood surround																
Notes																	
Finished Surfaces		Edge Tape															
		Integral Finished Ends															
Match vertical stile selection of door		Finished Interiors (FMI)															
		Scribe Filler Plant-on (SFPO)															
		Available accessories															
Doors for FBCC or WCC cabinets		Each door will be 2-pc instead of 3-pc veneer															
		Left hinged door will have vertical stile on left															
		Right hinged door will have vertical stile on right															
Fillers & Scribe Filler Plant-ons		Fillers will be veneer with corresponding edge band															
		Scribe filler plant-on has a min. height of 17-1/2" H															
Oven panels		Will not be 3-pc veneer, entire panel will match the vertical stile selection on door															
Door & panel appearance and size limits:																	
3-Piece Slab 8-7/8" - 32" W 		3-Piece Slab 4-1/2" - 47" H 		>47" - 73" H* 				*Over 47" H will be two equal size doors batted together									
Drawer front appearance and size limits:																	
3-PIECE SLAB 4-1/2" - 18" H 																	

Thermofoil

See door style pages for individual specifications

Glacier Bay (pg G-109)



Glacier Bay Roman (pg G-110)



Lancaster (pg G-111)



Silhouette (pg G-112)



Tuscany (pg G-113)



Winterset (pg G-114)



Winterset Roman (pg G-115)



General Information

Thermofoil is a rigid vinyl foil that is vacuumed and bladder pressed with a bonding adhesive onto a routed MDF substrate. It is very durable and resistant to scratches, dents, chips and stains.

Thermofoil reacts unfavorably to extreme heat, so a minimum of 1-1/2" is recommended between the door and appliances producing temperatures of 160° F or greater. The distance should be at least 3" if placed directly over an appliance (such as a toaster oven.)

Color Information

Doors, drawer fronts, finished end doors (FED) scribe filler plant-ons (SFPO), appliance panel doors (APDR)	Wood components and accessories (see below)	Compatible HPL Color		
White Thermofoil	Maple White paint	No up-charges applied	Frosty White	1573
Creme Thermofoil	Maple Creme paint		White Sand	D403

Paint and HPL colors are listed as "compatible" to the Thermofoil door color. We cannot guarantee an exact match due to the number of variables and material types involved in the process.

Items that are LPL or HPL			Items that are painted maple	
Fillers	White	LPL	Appliance Garage tambour doors	Plate Display dowels & rails
	Creme	HPL		
FMI, IFE, IFBOT, IFTOP, End Panels based on color & box construction	White	PBD = LPL	Wine Rack Lattice	Mouldings
		PLY = HPL	Valances	
	Creme	PBD = HPL		
		PLY = HPL		
TBF 1/32"	Both	HPL		

Custom Panels may be ordered in LPL, HPL or painted maple

Modifications Not Available

Beaded Interior Back (BIB)	FMI Beaded Interior Back (FMI-BIB)
----------------------------	------------------------------------

Thermofoil

Glacier Bay (GBA)

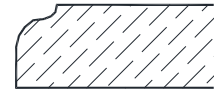


Type	Routed
Material	Thermofoil on MDF substrate
Thickness	3/4"
Stiles	2-1/4"
Rails	2-1/4"
Center Panel	3/4"
Edge	Matching thermofoil wrap

PRICE POINT: M4

Hinges (per door)	\$0	Concealed
	\$29	Concealed IM
Drawer Fronts	\$0	Slab
	\$42	DFMD
Colors	0%	White
		Creme

Standard Edge Detail



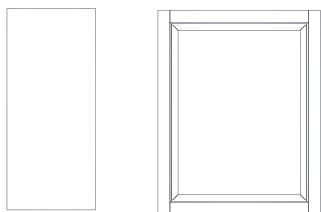
Prep for Glass

RFG, MGD, MGDH, MGDN, MGDQ

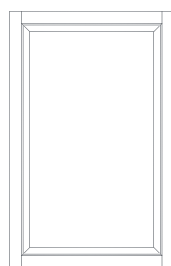
See pgs M-9 – M-10 for details

Door & panel appearance and size limits:

4" - <7-1/2" W 7-1/2" - 36" W

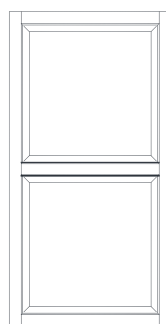


8-3/4" - 52" H



Center Rail Added

>52" - 73" H



Drawer front appearance and size limits:

SLAB
2-1/2" - 18" H

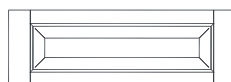


DFMD



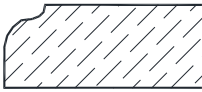
Slab
2-1/2" - <5-7/16" H



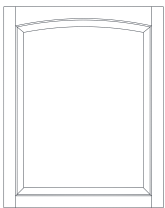
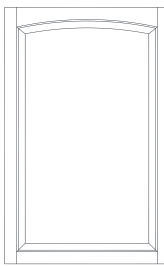
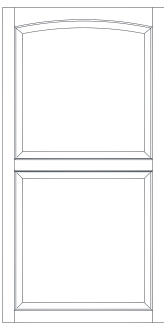
Raised panel
5-7/16" - 18" H





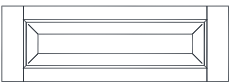
Thermofoil

<p>Glacier Bay Roman (GBA-R)</p>  	PRICE POINT: M4A		<p>Standard Edge Detail</p> 													
	<p>Hinges (per door)</p>	<p>\$0 Concealed</p> <p>\$29 Concealed IM</p>		<p>Prep for Glass</p> <p>RFG, MGD, MGDH, MGDN, MGDQ</p> <p>See pgs M-9 – M-10 for details</p>												
<p>Drawer Fronts</p>	<p>\$0 Slab</p> <p>\$42 DFMD</p>	<p>Colors</p> <p>0% White</p> <p>0% Creme</p>														
<table border="1"> <tr> <td>Type</td> <td>Routed</td> </tr> <tr> <td>Material</td> <td>Thermofoil on MDF substrate</td> </tr> <tr> <td>Thickness</td> <td>3/4"</td> </tr> <tr> <td>Stiles</td> <td>2-1/4"</td> </tr> <tr> <td>Rails</td> <td>2-1/4"</td> </tr> <tr> <td>Center Panel</td> <td>3/4"</td> </tr> <tr> <td>Edge</td> <td>Matching thermofoil wrap</td> </tr> </table>			Type	Routed	Material	Thermofoil on MDF substrate	Thickness	3/4"	Stiles	2-1/4"	Rails	2-1/4"	Center Panel	3/4"	Edge	Matching thermofoil wrap
Type	Routed															
Material	Thermofoil on MDF substrate															
Thickness	3/4"															
Stiles	2-1/4"															
Rails	2-1/4"															
Center Panel	3/4"															
Edge	Matching thermofoil wrap															

Door & panel appearance and size limits:


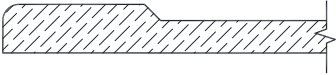
4" - <7-1/2" W	7-1/2" - <8" W	<p>Arched Top</p> <p>8" - 36" W</p> 	<p>Arched Top</p> <p>8-3/4" - 52" H</p> 	<p>Center Rail Added</p> <p>>52" - 73" H</p> 	<p>Arch is applied to:</p> <ul style="list-style-type: none"> • Wall cabinets • Top door(s) of stacked cabinets • Top door(s) of Tall cabinets <p>Includes finished end options with doors</p>
----------------	----------------	--	--	--	---

Drawer front appearance and size limits:

SLAB	<p>Slab</p> <p>2-1/2" - 18" H</p> 	DFMD	<p>Slab</p> <p>2-1/2" - <5-7/16" H</p> 	<p>Raised panel</p> <p>5-7/16" - 18" H</p> 
-------------	--	-------------	--	--

Thermofoil

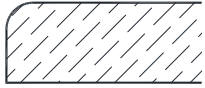
Lancaster (LCS)


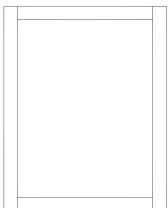
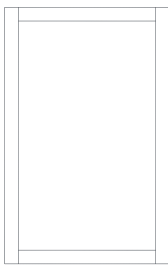
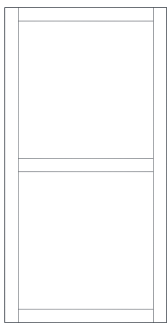
Type	Routed
Material	Thermofoil on MDF substrate
Thickness	3/4"
Stile Width	2-1/4"
Rail Width	2-1/4"
Center Panel	1/2"
Edge	Matching thermofoil wrap

PRICE POINT: M9




Hinges (per door)	\$0	Concealed
	\$29	Concealed IM
Drawer Fronts	\$0	Slab
	\$42	DFMD
Colors	0%	White
		Creme

Standard Edge Detail	
Prep for Glass	<p>RFG, MGD, MGDH, MGDN, MGDQ</p> <p>See pgs M-9 – M-10 for details</p>


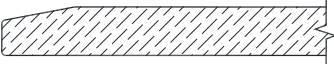
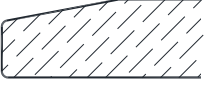
Door & panel appearance and size limits:

4" - <7-1/2" W	7-1/2" - 36" W	8-3/4" - 52" H	Center Rail Added >52" - 73" H
				

Drawer front appearance and size limits:

Slab 2-1/2" – 18" H	Slab 2-1/2" – <5-7/16" H	Recessed panel 5-7/16" – 18" H
SLAB 	DFMD 	

Thermofoil

<p>Silhouette (SIL)</p>   <table border="1"> <tr> <td>Type</td> <td>Routed</td> </tr> <tr> <td>Material</td> <td>Thermofoil on MDF substrate</td> </tr> <tr> <td>Thickness</td> <td>3/4"</td> </tr> <tr> <td>Edge</td> <td>Matching thermofoil wrap</td> </tr> </table>	Type	Routed	Material	Thermofoil on MDF substrate	Thickness	3/4"	Edge	Matching thermofoil wrap	<p>PRICE POINT: M4</p> <table border="1"> <tr> <td rowspan="2">Hinges (per door)</td> <td>\$0</td> <td>Concealed</td> </tr> <tr> <td>\$29</td> <td>Concealed IM</td> </tr> <tr> <td>Drawer Fronts</td> <td>\$0</td> <td>Slab</td> </tr> <tr> <td rowspan="2">Colors</td> <td rowspan="2">0%</td> <td>White</td> </tr> <tr> <td>Creme</td> </tr> </table>		Hinges (per door)	\$0	Concealed	\$29	Concealed IM	Drawer Fronts	\$0	Slab	Colors	0%	White	Creme	<p>Standard Edge Detail</p> 
	Type	Routed																					
Material	Thermofoil on MDF substrate																						
Thickness	3/4"																						
Edge	Matching thermofoil wrap																						
Hinges (per door)	\$0	Concealed																					
	\$29	Concealed IM																					
Drawer Fronts	\$0	Slab																					
Colors	0%	White																					
		Creme																					
		<p>Prep for Glass</p> <p>RFG, MGD, MGDH, MGDN, MGDQ</p> <p>See pgs M-9 – M-10 for details</p>																					

Door & panel appearance and size limits:

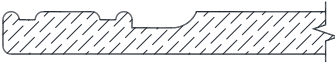
<p>4" - 36" W</p> 	<p>8-3/4" - 73" H</p> 
--	--

Drawer front appearance and size limits:

<p>SLAB</p> <p>Slab</p> <p>2-1/2" - 18" H</p> 
--

Thermofoil

Tuscany (TUS)



Type	Routed
Material	Thermofoil on MDF substrate
Thickness	3/4"
Stile Width	2-1/4"
Rail Width	2-1/4"
Center Panel	3/4"
Edge	Matching thermofoil wrap

PRICE POINT: M10

Hinges (per door)	\$0	Concealed
	\$29	Concealed IM
Drawer Fronts	\$0	Slab
	\$42	DFMD
Colors	0%	White
		Creme

Standard
Edge
Detail



Prep
for Glass

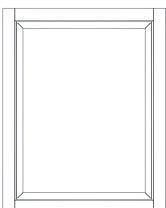
RFG, MGD, MGDH,
MGDN, MGDQ
See pgs M-9 – M-10 for details

Door & panel appearance and size limits:

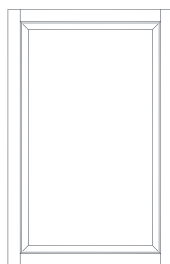
4" - 8" W



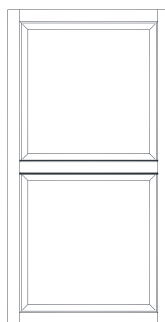
8" - 36" W



8-3/4" - 52" H



Center Rail Added
>52" - 73" H



Drawer front appearance and size limits:

SLAB

Slab
2-1/2" - 18" H

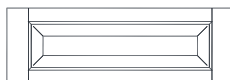


DFMD



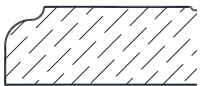
Slab
2-1/2" - <5-7/16" H



Raised panel
5-7/16" - 18" H


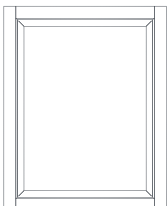
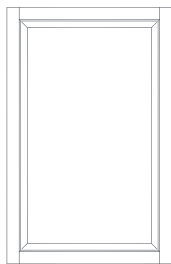
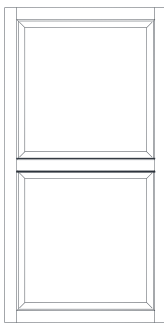


Thermofoil



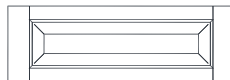
<p>Winterset (WNS)</p>  	<p>PRICE POINT: M5</p>		<p>Standard Edge Detail</p> 			
	<p>Hinges (per door)</p>	<table border="1"> <tr> <td>\$0</td> <td>Concealed</td> </tr> <tr> <td>\$29</td> <td>Concealed IM</td> </tr> </table>		\$0	Concealed	\$29
\$0	Concealed					
\$29	Concealed IM					
<p>Drawer Fronts</p>	<table border="1"> <tr> <td>\$0</td> <td>Slab</td> </tr> <tr> <td>\$42</td> <td>DFMD</td> </tr> </table>	\$0	Slab	\$42	DFMD	<p>Prep for Glass</p> <p>RFG, MGD, MGDH, MGDN, MGDQ See pgs M-9 – M-10 for details</p>
	\$0	Slab				
\$42	DFMD					
<p>Colors</p>	<table border="1"> <tr> <td>0%</td> <td>White</td> </tr> <tr> <td></td> <td>Creme</td> </tr> </table>	0%	White		Creme	
0%	White					
	Creme					

Type	Routed
Material	Thermofoil on MDF substrate
Thickness	3/4"
Stile Width	2-1/4"
Rail Width	2-1/4"
Center Panel	3/4"
Edge	Matching thermofoil wrap

Door & panel appearance and size limits:

<p>4" - <8" W</p> 	<p>8" - 36" W</p> 	<p>8-3/4" - 52" H</p> 	<p>Center Rail Added >52" - 73" H</p> 
--	---	---	---

Drawer front appearance and size limits:

<p>SLAB</p>	<p>Slab 2-1/2" – 18" H</p> 	<p>DFMD</p>	<p>Slab 2-1/2" – <5-7/16" H</p> 	<p>Raised panel 5-7/16" – 18" H</p> 
--------------------	---	--------------------	---	---

Thermofoil

Winterset Roman (WNS-R)

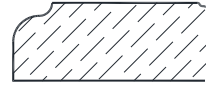


Type	Routed
Material	Thermofoil on MDF substrate
Thickness	3/4"
Stile Width	2-1/4"
Rail Width	2-1/4"
Center Panel	3/4"
Edge	Matching thermofoil wrap

PRICE POINT: M5A

Hinges (per door)	\$0	Concealed
	\$29	Concealed IM
Drawer Fronts	\$0	Slab
	\$42	DFMD
Colors	0%	White
		Creme

Standard
Edge
Detail



Prep
for Glass

RFG, MGD, MGDH,
MGDN, MGDQ

See pgs M-9 – M-10 for details

Door & panel appearance and size limits:

4" - <8" W	8" - <8-1/2" W	Arched Top 8-1/2" - 36" W	Arched Top 8-3/4" - 52" H	Center Rail Added >52" - 73" H

Arch is applied to:

- Wall cabinets
- Top door(s) of stacked cabinets
- Top door(s) of Tall cabinets

Includes finished end options with doors

Drawer front appearance and size limits:

SLAB	Slab 2-1/2" – 18" H	DFMD	Slab 2-1/2" – <5-7/16" H	Raised panel 5-7/16" – 18" H

TSS (Thermo Structured Surface)

See Door Style pages for individual specifications

Corson (pg G-117)



Tiburon (pg G-118)



Pinnacle (pg G-119)



General Information

Surface & Substrate	Wood grain, textured melamine that is thermally fused and heat stamped to a particleboard core	
	TSS is applied to front and back of doors and drawer fronts	
	French Grey has smooth texture on back of door	
	TSS is not sequentially matched between parts, or from one cabinet to the next	

Cabinets Not Available

Base 3-Drawer w/Display Front	Wood Hoods	Plate Display
Tambour Door (appliance garage)	Wine Racks: Lattice & Diagonal	Medicine Cabinet (MC_)

Accessories Not Available

Anything over 96"	Fluted Fillers	Finished Furniture Ends
Appliance Door Panels (AP1/AP2) (order as Door-NH or APDR)	1/4" or 3/8" Panels (pre-sized and custom size)	Finished Furniture Backs (Corson & Tiburon)
Valances: Arched & Country	Bar Brackets	Mouldings (unless noted below)

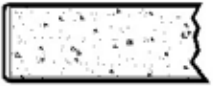
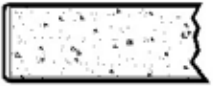
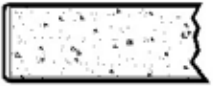


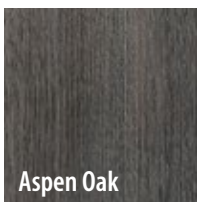

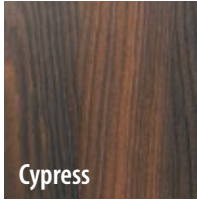
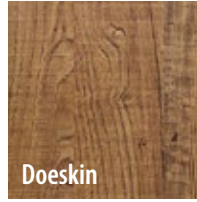
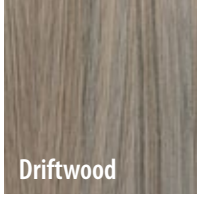
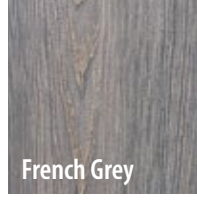

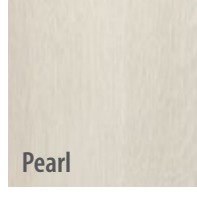
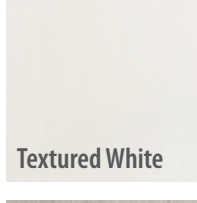
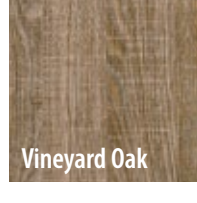

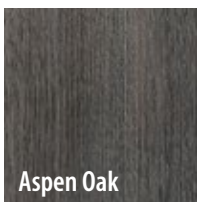

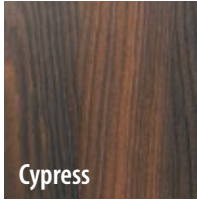
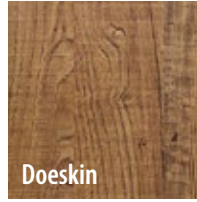
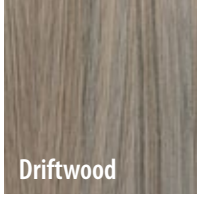
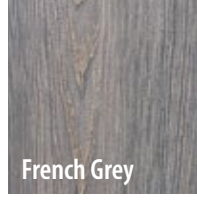

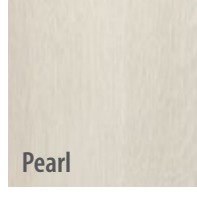
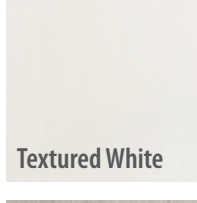
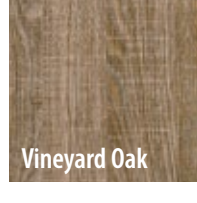

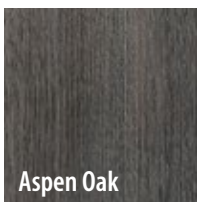

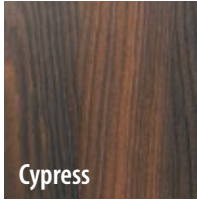
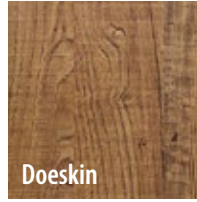
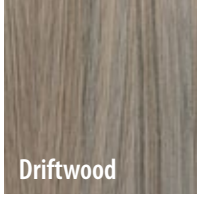
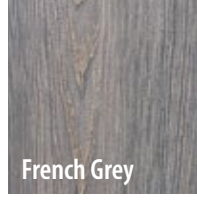

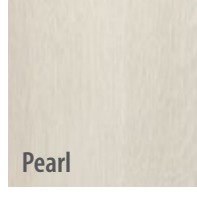
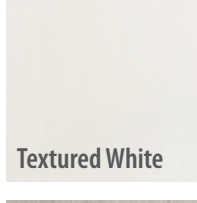
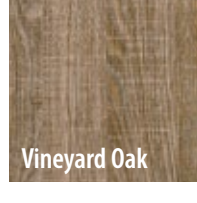

Modifications Not Available

Beaded Interior Back (BIB)	FMI Beaded Interior Back (FMI-BIB)
Installed Arch or Country Valance	

Finished Accessories Available

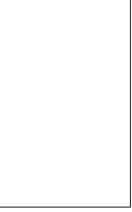
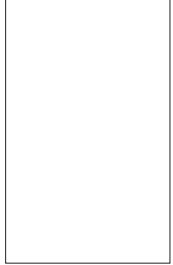


MS96	MR396-PLY	MR696-PLY
Straight Valance (max. 96")	Standard Filler (except SF3120)	Toeboard Front (1/32" & 3/4")
Base Corner Filler	Base Square Corner Filler	Scribe Filler Plant-ons
End Panels (max. 96")	3/4" FP & FPT	Hood Vent Covers
Raw 3/4" Countertop	Edge Tape	Adjustable Shelves (FMI)
FED, APDR, DOOR, DF	1/32" & 3/4" CP (max. 96")	Base Finished Furniture Back (Pinnacle only)
	1/2" Finished Panel F1F	

TSS (Thermo Structured Surface)

Corson (CSN)		PRICE POINT: M5		<table border="1"> <tr> <td rowspan="2" style="text-align: center;">Standard Edge Detail</td> <td style="text-align: center;"></td> </tr> <tr> <td style="text-align: center;">1mm radius ABS edge tape</td> </tr> </table>		Standard Edge Detail		1mm radius ABS edge tape										
Standard Edge Detail																		
	1mm radius ABS edge tape																	
 	Hinges (per door)		\$0	Concealed	Prep for Glass	Not Available												
	Drawer Fronts		\$0	Slab														
	Colors 0%		ASO	Aspen Oak	<table border="1"> <tr> <td style="text-align: center;"></td> <td style="text-align: center;"></td> </tr> <tr> <td style="text-align: center;"></td> <td style="text-align: center;"></td> </tr> <tr> <td style="text-align: center;"></td> <td style="text-align: center;"></td> </tr> <tr> <td style="text-align: center;"></td> <td style="text-align: center;"></td> </tr> <tr> <td style="text-align: center;"></td> <td style="text-align: center;"></td> </tr> <tr> <td style="text-align: center;"></td> <td></td> </tr> </table>													
																		
																		
																		
																		
																		
																		
			CHS	Chestnut														
			CYP	Cypress														
			DOK	Doeskin														
DRI	Driftwood																	
FGY	French Grey																	
GSN	Gunsmoke																	
PRL	Pearl																	
TWH	Textured White																	
VYO	Vineyard Oak																	
WSN	Whitesand																	

Type	Slab
Material	TSS w/PBD substrate
Thickness	3/4"
Grain Direction	Doors: Vertical Drawers: Vertical
Edge	1mm radius ABS edge tape

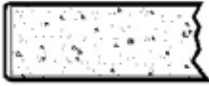
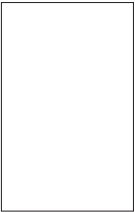
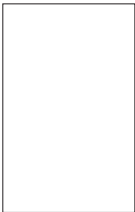

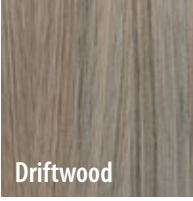
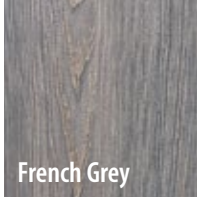
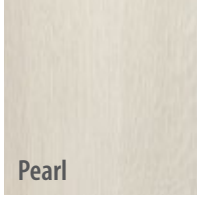
Door & panel appearance and size limits:

Hinged Doors		Panels	
6" - 24" W	11-3/4" - 73" H	4" - 36" W	8-3/4" - 73" H
			

Drawer front appearance and size limits:



SLAB	2-1/2" - 18" H
	

TSS (Thermo Structured Surface)

Tiburon (TIB)  		PRICE POINT: M5		Standard Edge Detail  1mm radius ABS edge tape											
		Hinges (per door)	\$0 \$29	Concealed Concealed IM											
		Drawer Fronts	\$0	Slab											
		Colors 0%	ASO	Aspen Oak											
			CHS	Chestnut											
			CYP	Cypress											
			DOK	Doeskin											
			DRI	Driftwood											
			FGY	French Grey											
			GSN	Gunsmoke											
			PRL	Pearl											
			TWH	Textured White											
			VYO	Vineyard Oak											
		WSN	Whitesand												
<table border="1" style="width: 100%; border-collapse: collapse;"> <tr> <td style="width: 50%;">Type</td> <td style="width: 50%;">Slab</td> </tr> <tr> <td>Material</td> <td>TSS w/PBD substrate</td> </tr> <tr> <td>Thickness</td> <td>3/4"</td> </tr> <tr> <td>Grain Direction</td> <td>Doors: Horizontal Drawers: Horizontal</td> </tr> <tr> <td>Edge</td> <td>1mm radius ABS edge tape</td> </tr> </table> <p>See pg G-18 for Horizontal Grain rules</p>		Type	Slab	Material	TSS w/PBD substrate	Thickness	3/4"	Grain Direction	Doors: Horizontal Drawers: Horizontal	Edge	1mm radius ABS edge tape			Prep for Glass Not Available	
Type	Slab														
Material	TSS w/PBD substrate														
Thickness	3/4"														
Grain Direction	Doors: Horizontal Drawers: Horizontal														
Edge	1mm radius ABS edge tape														
Door & panel appearance and size limits:															
Hinged Doors 6" - 24" W 11-3/4" - 73" H* 		Panels 4" - 96" W 4" - 73" H* 		*Over 47" H will be two equal size doors battened together 											
Drawer front appearance and size limits:															
SLAB	2-1/2" - 18" H 														
				 Aspen Oak											
				 Chestnut											
				 Cypress											
				 Doeskin											
				 Driftwood											
				 French Grey											
				 Gunsmoke											
				 Pearl											
				 Textured White											
				 Vineyard Oak											
				 Whitesand											

TSS (Thermo Structured Surface)


Pinnacle (PNC)


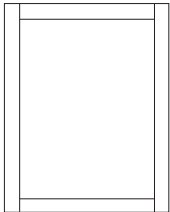
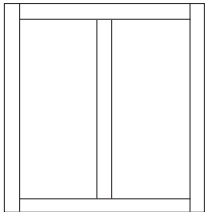
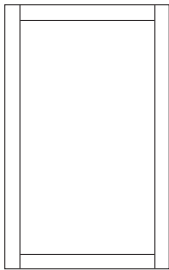
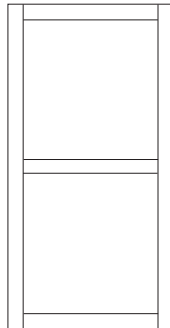
Type	Mortise & Tenon
Material	TSS w/PBD substrate
Thickness	3/4"
Stile Width	3"
Rail Width	3"
Center Panel	5/16"
Edge	1mm radius ABS edge tape

PRICE POINT: M11




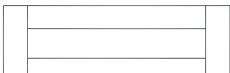
Hinges (per door)	\$0	Concealed
	\$29	Concealed IM
Drawer Fronts	\$0	Slab
	\$153	DFMD
Colors 0%	ASO	Aspen Oak
	DOK	Doeskin
	FGY	French Grey
	VYO	Vineyard Oak
	WSN	Whitesand

Standard Edge Detail	 1mm radius ABS edge tape
Prep for Glass	RFG See pg M-9 for details
Aspen Oak	Doeskin
French Grey	Vineyard Oak
Whitesand	



Door & panel appearance and size limits:

4" - <8-7/8" W	8-7/8" - 27" W	Center Mullion Added >27" - 45" W	7" - 52" H	Center Rail Added >52" - 96" H*	
					<p>*Hinged Door 11-3/4" - 73" H</p>


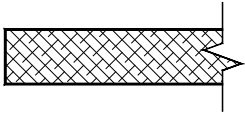
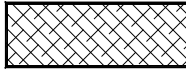
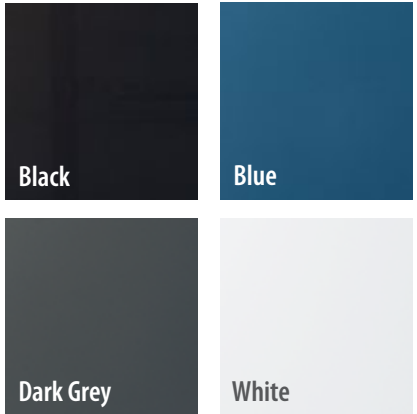
Drawer front appearance and size limits:

SLAB	Slab 4" - 18" H 	DFMD	Slab 4" - <5-1/2" H 	5-pc recessed panel 5-1/2" - <7" H  2-1/4" rails	5-pc raised panel 7" - 18" H  3" rails
-------------	--	-------------	--	---	---

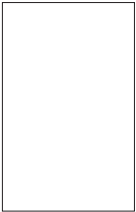
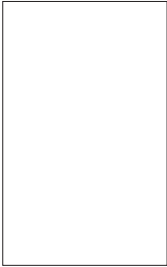

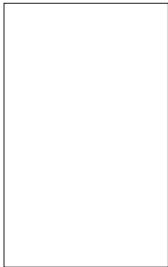
High Gloss Acrylic and Foil

<p>See Door Style pages for individual specifications</p>	<p>General Information</p>		
<p>ACRYLIC</p>	<p>HG ACRYLIC</p>		
<p>Fahrenheit (pg G-121)</p> 	<p>Acrylic surface with matching edge band</p>		<p>Doors, drawer fronts and other door-like items come with protective peel coat on front. Peel coat is left on for protection in the plant and during shipment. Recommend that it is not removed until installation is completed.</p>
	<p>Particleboard substrate</p>		
	<p>HG FOIL</p>		<p>Cleaning should be done with highly diluted (1:100) dish soap and water. Avoid abrasive cleaners, and cleaners with ammonia.</p>
	<p>Foil that wraps completely around components</p>		
	<p>MDF substrate</p>		<p>This product is generally not repairable, however, light abrasions and swirls may be removed from high-gloss product using optional polishing kit (HGPOLKIT)</p>
	<p>BACK OF DOOR</p>		
	<p>Door back is thermal fused laminate with matte colors that complement door face</p>		
<p>FOIL</p>	<p>Cabinets Not Available</p>		
<p>Palermo (pg G-122)</p> 	<p>Base Open Towel Rack</p>	<p>Plate & Open Plate Display</p>	<p>Medicine Cabinet (MC_)</p>
	<p>Tambour Door (appliance garage)</p>	<p>Base Full & Base Half Wine Rack Lattice</p>	<p>Wall Wine Rack Lattice & Diagonal</p>
	<p>Accessories Not Available</p>		
	<p>Mouldings (unless noted below)</p>	<p>Finished Furniture Ends (FFE)</p>	<p>Finished Furniture Backs (FFB)</p>
	<p>Appliance Panels (AP1, AP2)</p>	<p>Installed Arched & Country Valances</p>	
	<p>Modifications Not Available</p>		
<p>Beaded Interior Back (BIB)</p>	<p>FMI Beaded Interior Back (FMI-BIB)</p>		
<p>Installed Arch or Country Valance</p>			
<p>Loose Items Available</p>			
<p>FMI Adjustable Shelves</p>	<p>Floating Shelves (HG Foil only)</p>	<p>MR396-PLY and MR696-PLY</p>	
<p>HVCO</p>	<p>Straight Valance (S edge only; max. 96")</p>	<p>BEP, MEP, VEP, TEP (Min. width 3" Max. height 96")</p>	
<p>34FP__</p>	<p>SF__</p>	<p>SFPO</p>	<p>BSCF3 & BSCF3x3</p>
<p>TBF96 (1/32" thick)</p>	<p>TBF96-34 (3/4" thick)</p>		<p>URP30</p>
<p>FED, APDR, DOOR, DF 1/32" CP</p>	<p>1/2" Finished Panel F1F* on PBD</p>		<p>3/4" Finished Panel F1F & F2F on PBD or PLY (max. 96")</p>
<p>*F1F material has brown phenolic material on back</p>			
<p>Custom Panel Size Limits</p>			
<p>Width (cross grain): 3" - 47"</p>		<p>Height (with grain): 12" - 96"</p>	

High Gloss Acrylic

<p>Fahrenheit (FAH)</p>  	<p>PRICE POINT: M8</p>		<p>Standard Edge Detail</p> 								
	<p>Hinges (per door)</p>	<p>\$0 Concealed</p> <p>\$29 Concealed IM</p>									
	<p>Drawer Fronts</p>	<p>\$0 Slab</p>	<p>Prep for Glass</p> <p>RFG Inside route painted to match backer</p>								
	<p>Edge Options (per DR/DF)</p>	<p>\$0 0.6mm matching</p> <p>\$17 1.6mm PVC aluminum</p>									
	<p>Colors</p>	<p>0%</p> <p>Black</p> <p>Blue</p> <p>Dark Grey</p> <p>White</p>									
<table border="1"> <tr> <td>Type</td> <td>Slab</td> </tr> <tr> <td>Material</td> <td>HG Acrylic on PBD substrate</td> </tr> <tr> <td>Thickness</td> <td>3/4"</td> </tr> <tr> <td>Edge</td> <td>0.6mm matching PVC 1.6mm aluminum PVC</td> </tr> </table>	Type	Slab	Material	HG Acrylic on PBD substrate	Thickness	3/4"	Edge	0.6mm matching PVC 1.6mm aluminum PVC			
Type	Slab										
Material	HG Acrylic on PBD substrate										
Thickness	3/4"										
Edge	0.6mm matching PVC 1.6mm aluminum PVC										

Door & panel appearance and size limits:

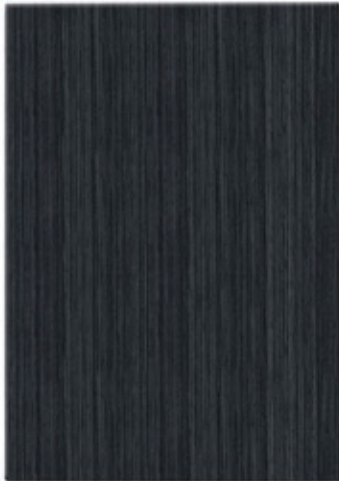
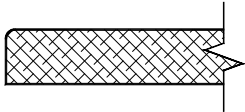
Hinged Doors		Panels	
6" - 24" W	11-3/4" - 73" H	6" - 47" W	6" - 95" H
			

Drawer front appearance and size limits:

<p>SLAB</p> <p>2-1/2" - 18" H</p> 
--

High Gloss Foil

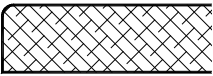
Palermo (PAL)

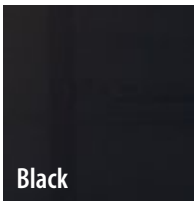



Type	Slab
Material	HG Foil on MDF substrate
Thickness	3/4"
Grain Direction	(Striated Flint only) Doors: Vertical Drawers: Vertical
Edge	Matching foil wrap


PRICE POINT: M8

Hinges (per door)	\$0	Concealed
	\$29	Concealed IM
Drawer Fronts	\$0	Slab
Colors	0%	Black
		Fossil Grey
		Silver
		Striated Flint
		White

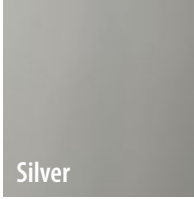
Standard Edge Detail	
Prep for Glass	RFG Inside route painted to match backer




Black



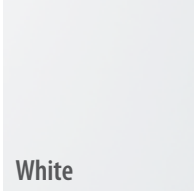
Fossil Grey



Silver

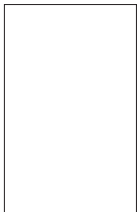
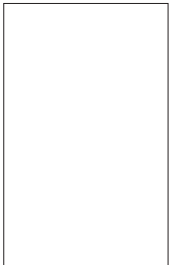
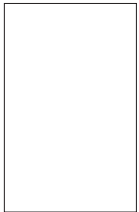



Striated Flint



White


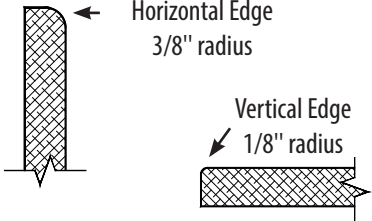
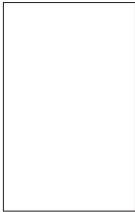
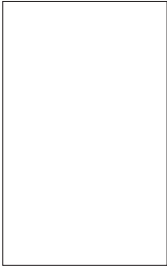

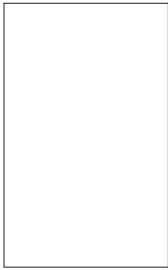

Door & panel appearance and size limits:

Hinged Doors		Panels	
4" - 24" W	11-3/4" - 73" W	3" - 48" H	3" - 96" H
			

Drawer front appearance and size limits:

SLAB	2-1/2" - 18" H
	

High Gloss Foil

Siena (SIE)		PRICE POINT: M8		Standard Edge Detail	See below																
	Hinges (per door)	\$0	Concealed																		
		\$29	Concealed IM																		
	Drawer Fronts	\$0	Slab																		
	Colors	0%	Black																		
			Fossil Grey																		
Silver																					
Striated Flint																					
		White																			
																					
				Prep for Glass	RFG Inside route painted to match backer																
<table border="1"> <tr> <td>Type</td> <td>Slab</td> </tr> <tr> <td>Material</td> <td>HG Foil on MDF substrate</td> </tr> <tr> <td>Thickness</td> <td>3/4"</td> </tr> <tr> <td>Grain Direction</td> <td>(Striated Flint only) Doors: Vertical Drawers: Vertical</td> </tr> <tr> <td>Edge</td> <td>Matching foil wrap</td> </tr> </table>		Type	Slab	Material	HG Foil on MDF substrate	Thickness	3/4"	Grain Direction	(Striated Flint only) Doors: Vertical Drawers: Vertical	Edge	Matching foil wrap			<table border="1"> <tr> <td style="background-color: black; color: white; text-align: center;">Black</td> <td style="background-color: #808080; color: white; text-align: center;">Fossil Grey</td> </tr> <tr> <td style="background-color: #cccccc; color: black; text-align: center;">Silver</td> <td style="background-color: #191970; color: white; text-align: center;">Striated Flint</td> </tr> <tr> <td colspan="2" style="background-color: #d3d3d3; color: black; text-align: center;">White</td> </tr> </table>		Black	Fossil Grey	Silver	Striated Flint	White	
Type	Slab																				
Material	HG Foil on MDF substrate																				
Thickness	3/4"																				
Grain Direction	(Striated Flint only) Doors: Vertical Drawers: Vertical																				
Edge	Matching foil wrap																				
Black	Fossil Grey																				
Silver	Striated Flint																				
White																					
Door & panel appearance and size limits:																					
Hinged Doors		Panels																			
4" - 24" W	11-3/4" - 73" W	3" - 48" H	3" - 96" H																		
																					
Drawer front appearance and size limits:																					
SLAB	2-1/2" - 18" H																				
																					

Super Matte Foil

See Door Style pages for individual specifications

Apex (pg G-125)



Maestro (pg G-126)



General Information

Surface & Substrate	Matte thermofoil surface	NOTE: while Super Matte Foil and Thermofoil doors have many similarities, accessories and modification limits are different
	Door back is thermal fused laminate with matte colors that complement door face	
	Navy has black back	
	MDF substrate	
Finished Surfaces	Integral Finished Ends (IFE, IFBOT, IFTOP and FMI) are HPL and match door material color	

Cabinets Not Available

Base 3-Drawer w/Display Front	Wood Hoods	Plate Display
Tambour Door (appliance garage)	Wine Racks: Lattice & Diagonal	Medicine Cabinet (MC_) Wall Beds/Wardrobe Cabinets

Accessories Not Available

Columns	Wood Accessories	End Panels over 96"
Under Range Panel	SF3120	Self Edge & Backsplash
Light, Arch & Country Valances	Fluted Filler	Fluted End Panel
Finished Furniture Ends	Toekick Valance	Toekick Bracket & Corner Bracket





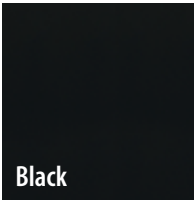
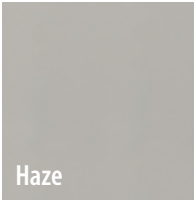
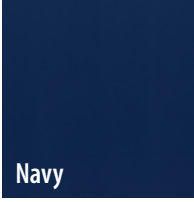

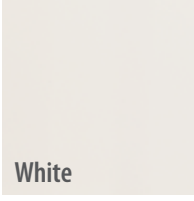




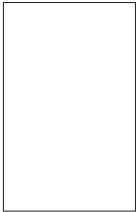
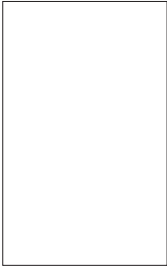
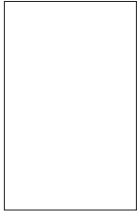
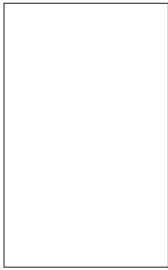
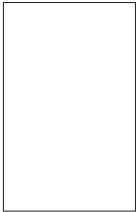
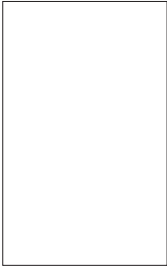
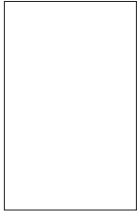
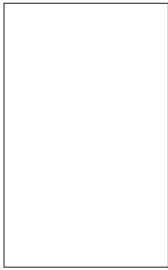
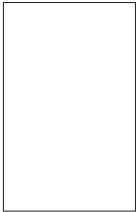
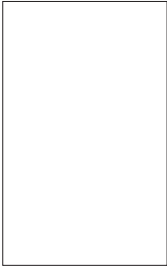
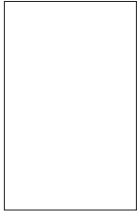
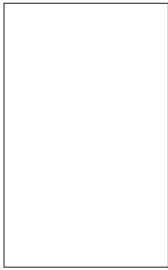



Modifications Not Available

Beaded Interior Back (BIB)	FMI Beaded Interior Back (FMI-BIB)
Installed Arch or Country Valance	

Available Loose Items



Cove Crown (CC96-F)	Scribe Moulding (SM96-F)	TBF96-34 (3/4" thick)
Straight Crown (SC96-F)	MR396-PLY & MR696-PLY	
Straight Valances (max. 96")	Scribe Filler	Scribe Filler Plant-ons
Base Square Corner Filler (BSCF3)	Base Corner Filler (BCF3X3)	
3/4" Finished Panels	Finished End Doors	APDR
FMI Adjustable Shelves: AS, ASWCA, ASWCC & USK	BEP, MEP, VEP, TEP End Panels: (Min. 3" W Max. 96" H)	
Floating Shelf	FFB (Maestro only)	TBF96 (1/32" & 3/4" thick)
1/32" CP	1/2" Finished Panel F1F on PBD	3/4" Finished Panel F1F & F2F on PBD or PLY (max. 96")

Super Matte Foil

<p style="text-align: center;">Apex (APX)</p>   <table border="1" data-bbox="115 894 508 1073"> <tr> <td>Type</td> <td>Slab</td> </tr> <tr> <td>Material</td> <td>SM Foil on MDF substrate</td> </tr> <tr> <td>Thickness</td> <td>3/4"</td> </tr> <tr> <td>Edge</td> <td>Matching SM foil wrap</td> </tr> </table>	Type	Slab	Material	SM Foil on MDF substrate	Thickness	3/4"	Edge	Matching SM foil wrap	<table border="1"> <tr> <th colspan="3">PRICE POINT: M8</th> </tr> <tr> <td rowspan="2">Hinges (per door)</td> <td>\$0</td> <td>Concealed</td> </tr> <tr> <td>\$29</td> <td>Concealed IM</td> </tr> <tr> <td>Drawer Fronts</td> <td>\$0</td> <td>Slab</td> </tr> <tr> <td rowspan="5">Colors 0%</td> <td>BSM</td> <td>Black</td> </tr> <tr> <td>HSM</td> <td>Haze</td> </tr> <tr> <td>NSM</td> <td>Navy</td> </tr> <tr> <td>SSM</td> <td>Slate</td> </tr> <tr> <td>WSM</td> <td>White</td> </tr> </table>	PRICE POINT: M8			Hinges (per door)	\$0	Concealed	\$29	Concealed IM	Drawer Fronts	\$0	Slab	Colors 0%	BSM	Black	HSM	Haze	NSM	Navy	SSM	Slate	WSM	White	<table border="1"> <tr> <td>Standard Edge Detail</td> <td></td> </tr> <tr> <td rowspan="2">Prep for Glass</td> <td> <p style="text-align: center;">RFG 2-3/4" stiles & rails with beveled inside edge</p>  </td> </tr> </table> <div style="display: flex; flex-wrap: wrap; justify-content: space-around;"> <div style="width: 45%; text-align: center;">  <p>Black</p> </div> <div style="width: 45%; text-align: center;">  <p>Haze</p> </div> <div style="width: 45%; text-align: center;">  <p>Navy</p> </div> <div style="width: 45%; text-align: center;">  <p>Slate</p> </div> <div style="width: 45%; text-align: center;">  <p>White</p> </div> </div>	Standard Edge Detail		Prep for Glass	<p style="text-align: center;">RFG 2-3/4" stiles & rails with beveled inside edge</p> 
Type	Slab																																			
Material	SM Foil on MDF substrate																																			
Thickness	3/4"																																			
Edge	Matching SM foil wrap																																			
PRICE POINT: M8																																				
Hinges (per door)	\$0	Concealed																																		
	\$29	Concealed IM																																		
Drawer Fronts	\$0	Slab																																		
Colors 0%	BSM	Black																																		
	HSM	Haze																																		
	NSM	Navy																																		
	SSM	Slate																																		
	WSM	White																																		
Standard Edge Detail																																				
Prep for Glass	<p style="text-align: center;">RFG 2-3/4" stiles & rails with beveled inside edge</p> 																																			
	<p>Door & panel appearance and size limits:</p>																																			
<table border="1" style="width: 100%;"> <tr> <th colspan="2" style="text-align: center;">Hinged Doors</th> <th colspan="2" style="text-align: center;">Panels</th> </tr> <tr> <td style="text-align: center;">4" - 24" W</td> <td style="text-align: center;">11-3/4" - 73" W</td> <td style="text-align: center;">4" - 48" H</td> <td style="text-align: center;">4" - 96" H</td> </tr> <tr> <td style="text-align: center;"></td> <td style="text-align: center;"></td> <td style="text-align: center;"></td> <td style="text-align: center;"></td> </tr> </table>			Hinged Doors		Panels		4" - 24" W	11-3/4" - 73" W	4" - 48" H	4" - 96" H																										
Hinged Doors		Panels																																		
4" - 24" W	11-3/4" - 73" W	4" - 48" H	4" - 96" H																																	
																																				
<p>Drawer front appearance and size limits:</p>																																				
<table border="1" style="width: 100%;"> <tr> <td style="width: 5%; text-align: center; vertical-align: middle;">SLAB</td> <td style="text-align: center;"> <p>3" - 18" H</p>  </td> </tr> </table>			SLAB	<p>3" - 18" H</p> 																																
SLAB	<p>3" - 18" H</p> 																																			

Super Matte Foil


Maestro (MAE)

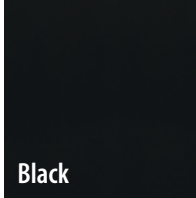



Type	Routed
Material	SM Foil on MDF substrate
Thickness	3/4"
Stiles	2-1/8"
Rails	2-1/8"
Center Panel	9/16"
Edge	Matching SM foil wrap

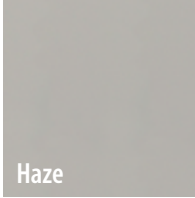
PRICE POINT: M8

Hinges (per door)	\$0	Concealed
	\$29	Concealed IM
Drawer Fronts	\$0	Slab
	\$153	DFMD
Colors 0%	BSM	Black
	HSM	Haze
	NSM	Navy
	SSM	Slate
	WSM	White


Standard Edge Detail	
Prep for Glass	<p>RFG</p> <p>See pg M-9 for details</p>




Black



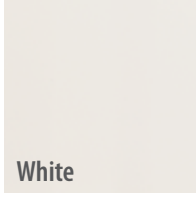
Haze



Navy


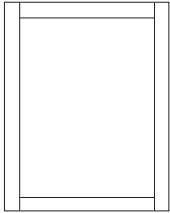
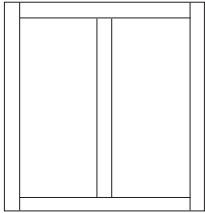
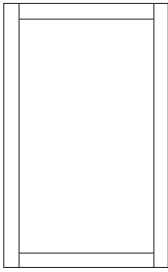
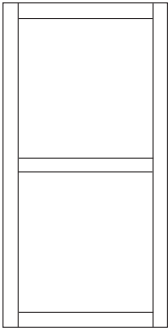


Slate






White

Door & panel appearance and size limits:

4" - <5-3/8" W	5-3/8" - 27" W	Center Mullion Added >27" - 48" W	5-3/8" - 52" H	Center Rail Added* >52" - 96" H	
					<p>*Hinged Door 11-3/4" - 73" H</p>

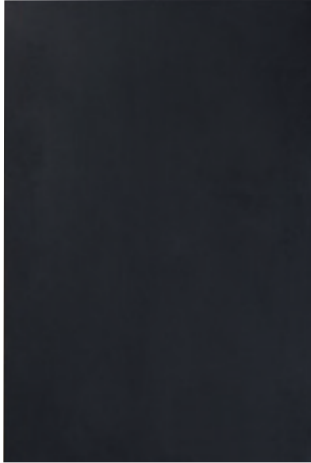
Drawer front appearance and size limits:

SLAB	<p>Slab 3" - 18" H</p> 	DFMD	<p>Slab 3" - <5-3/8" H</p> 	<p>Recessed panel 5-3/8" - 18" H</p>  <p>2-1/8" W stiles & rails</p>
-------------	---	-------------	--	---

Laminate

See Alpine page for individual specifications

Alpine (pg G-128)



General Information

LPL (Low-Pressure Laminate) Door Faces	HPL (High-Pressure Laminate) Door Faces
“Low-pressure laminate” is used to describe a broad range of products in the industry. We use a melamine product that is thermally fused to the substrate.	HPL will be applied to both sides of doors and drawer fronts. Edges will be finished with a pre-selected compatible PVC edge tape.
Compatible HPL colors are Wilsonart #1573 Frosty White and Wilsonart #D30 Natural Almond	Manufacturing lead-time is typically four weeks but may vary depending on vendor availability of sheet-stock and edge tape
	While we make every attempt to keep this list current, we cannot guarantee availability due to discontinuation or reclassification by the manufacturer or our suppliers
	For availability and pricing on a brand, pattern or color of HPL not listed on pg G-128 please use the Special Product Request (SPR) program

Cabinets Not Available

Base 3-Drawer w/Display Front	Wood Hoods	Plate Display
Tambour Door (appliance garage)	Wine Racks: Lattice & Diagonal	Medicine Cabinet (MC_)

Accessories Not Available

Anything over 96"	Fluted Fillers	Finished Furniture Ends
Appliance Door Panels (AP1/AP2) (order as Door-NH or APDR)	1/4" or 3/8" Panels (pre-sized and custom size)	Finished Furniture Backs
Valances: Arched & Country	Bar Brackets	Mouldings (unless noted below)

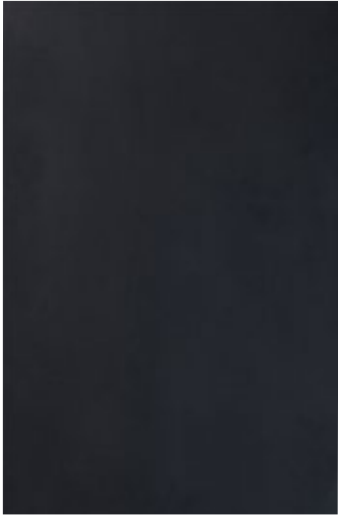
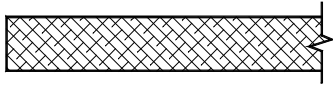




Modifications Not Available

Beaded Interior Back (BIB)	FMI Beaded Interior Back (FMI-BIB)
Installed Arch or Country Valance	

Finished Accessories Available

NFM96 (BLK & GRY)	MR396-PLY	MR696-PLY
Straight Valance (max. 96")	Standard Filler (except SF3120)	Toeboard Front (1/32" & 3/4")
Base Corner Filler	Base Square Corner Filler	Scribe Filler Plant-ons
End Panels (max. 96")	3/4" FP & FPT	Hood Vent Covers
Raw 3/4" Countertop	Edge Tape	Adjustable Shelves (FMI)
FED, APDR, DOOR, DF	1/2" Finished Panel F1F on PBD	3/4" Finished Panel F1F & F2F on PBD or PLY (max. 96")
1/32" CP		

Laminate

<p>Alpine (ALP)</p>  	<p>PRICE POINT: M1</p>		<p>Edge Detail</p> 
	<p>Hinges (per door)</p>	<p>\$0 Concealed</p> <p>\$29 Concealed IM</p>	
<p>Drawer Fronts</p>	<p>\$0 Slab</p>	<p>LPL Colors</p> <p>0% White</p> <p>0% Almond</p>	
<p>Wilsonart HPL Colors</p> <p>+20%</p>	<p>Antique White 1572</p>		
	<p>Black 1595-60</p>		
	<p>Designer White D354-60</p>		
	<p>Dove Grey D92-60</p>		
	<p>Fashion Grey D381-60</p>		
	<p>Frosty White 1573</p>		
	<p>Khaki Brown D50-60</p>		
	<p>Natural Almond D30-60</p>		
	<p>White 1570-60</p>		
	<p>White Sand D403-60</p>		
<p>For availability and pricing on a brand, pattern or color of HPL not listed above please use the Special Product Request (SPR) program</p>			
<p>Door & panel appearance and size limits:</p>			
<p>4" - 36" W</p> 	<p>8-3/4" - 73" H</p> 		
<p>Drawer front appearance and size limits:</p>			
<p>SLAB</p> <p>2-1/2" - 18" H</p> 			

Greenlam

See Door Style page for individual specifications

Towson (pg G-130)



General Information

Surface	90° wrapped HPL	
	Back of doors/panels have matching laminate	
	HPL APPLIED TO:	
	Face of doors/drawer fronts	
	Finished End Doors (FEDRS)	
	Plant-on Fillers (POF4)	
	Oven panels	
	Integral Finished Ends (IFE, IFTOP & IFBOT)	
	All surfaces of cabinets and accessories normally finished to match door	
Wood grains are not sequentially matched between parts, or from one cabinet to the next		

Cabinets Not Available

Base 3-Drawer w/Display Front	Wood Hoods	Plate Display
Tambour Door (appliance garage)	Wine Racks: Lattice & Diagonal	Medicine Cabinet (MC_)

Accessories Not Available

Finished Furniture Ends/Backs	Fluted Fillers	Appliance Door Panels (order as Door-NH)
1/4" or 3/8" Panels (pre-sized and custom size)	Arch, Country or 2-1/2" W Straight Valance	Mouldings (unless noted below)
		Bar Brackets

Modifications Not Available

Beaded Interior Back (BIB)	FMI Beaded Interior Back (FMI-BIB)
Installed Arch, Country or Straight Valance	

Finished Accessories Available

Straight Valance (max. 96") (9" & 12" N/A)	NFM96HPL	MR396-PLY and MR696-PLY
	Standard Filler (except SF3120)	Toeboard Front (1/32" & 3/4")
Base Corner Filler	Base Square Corner Filler	Plant-On Filler POF4
End Panels (max. 96")	3/4" FP & FPT	Hood Vent Covers
Raw 3/4" Countertop	Edge Tape	Adjustable Shelves (FMI)
FED, APDR, DOOR, DF	1/32" & 3/4" CP (max. 96")	Base Finished Furniture Back (Pinnacle only)
	1/2" Finished Panel F1F	

Single 8"x10" color samples available on Literature/Sales Sample order form

Greenlam

Towson (TWS)



Type	Slab	
Material	HPL on NAUF PBD substrate	
Thickness	3/4"	
Grain Direction	Doors: Vertical	
	Drawers: Vertical	
Edge	0.5mm (5D)	ABS
	0.2mm (2D)	Edge Tape

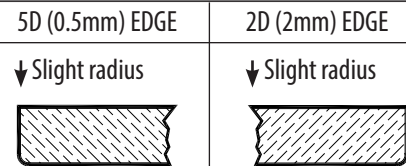
PRICE POINT: M8

Hinges (per door)	\$0	Concealed
	\$29	Concealed IM
Drawer Fronts	\$0	Slab
Colors	0%	See chart below (Specify HPL Color and Edge Option)

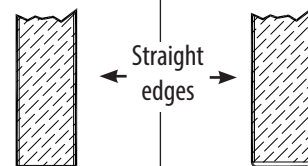
Optional box construction features NAUF (No Added Urea Formaldehyde) plywood

NPL Option	CABINET BOX	
	\$297	MSRP/cabinet
	NAUF Plywood construction	
	WGL Interior	
	DRAWER BOX	
	\$102	MSRP/drawer
HWDWR only		
1/4" NAUF Plywood bottom		

Edge Detail Options



TOP/BOTTOM VIEW



SIDE VIEW

Prep for Glass

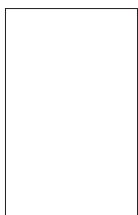
RFG
2-1/2" surround all sides
See pg M-9 for details

HPL Color	Code	Edge Option
Antique Oak	793	5D 2D
Black (textured)	401	5D 2D
Brooks Walnut	5018	5D 2D
Cinder	5029	5D
Cocoa Icing	5036	5D
Crossover Wenge	781	5D 2D
Dark Grey	261	5D
Douglas Fir	770	5D
Fusion Maple	666	5D 2D
Grey Cocoa	5035	5D 2D
Grey Raft Wood	5516	5D
Ironside Oak (textured)	5526	5D 2D
Jakarta Teak	778	5D
Milwaukee Walnut	791	5D 2D
Mud Ash	134	5D
Natural Olive	5039	5D
Oak	738	5D
Philippine Teak	5003	5D 2D
Pine Nut	274	5D
Sumatra Teak	777	5D
Tan Silk	5555	5D
Thai Almond Silk	5551	5D
Tidal Sand	148	5D
Wenge	731	5D 2D
Wool	107	5D 2D
Zebra Wood	5014	5D 2D

Door & panel appearance and size limits:

4" - <36" W

8-3/4" - 73" H



Drawer front appearance and size limits:

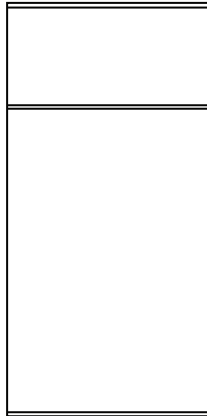
2-1/2" - 18" H

SLAB



Sample Door and Drawer Fronts

FFDRS shown

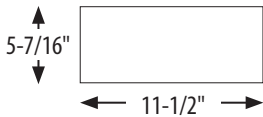


ITEM	DESCRIPTION	MSRP
DFOS	Drawer Front only	\$46
DOS	Door Only: no pin hinge prep	\$97
DOS-PH (L/R)	Door Only: pin hinge & prep (specify side)	\$132
FFDRS	Door & Drawer Front mounted to 3/4" back panel	\$178
DOS-RACK	Aluminum door sample rack	\$594
PINHG10	Pkg of 10 pin hinges for DOS	\$85

- Up-charges for any species, finish enhancements or distressing will not be applied to MSRP
- DOS-PH_ is prepped for & includes a pin hinge (used with door sample racks)
- DOS-RACK: predrilled and holds 39 DOS-PH (mounting screws not included)

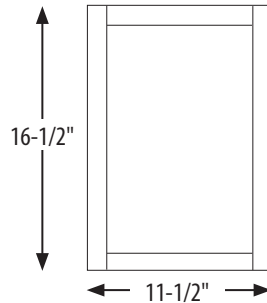
Sample descriptions and sizes:

DFOS: Drawer Front Only
Specify Slab or DFMD

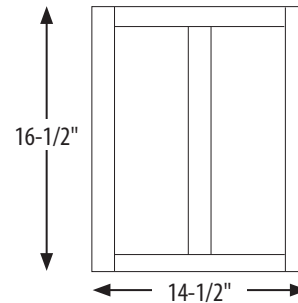


DOS-RACK
1-1/8" thick
2" x 2" x 60"

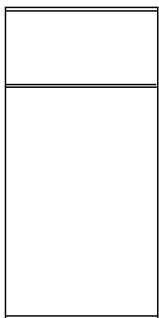
DOS: Door only
Square & Arched styles



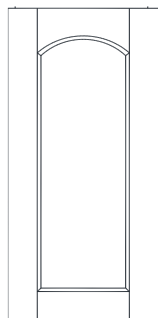
DOS: Door only
Shaker Center



FFDRS: Back Panel, Door and Drawer Front
Back panel size: 3/4" thick, 12" W x 24-1/2" H
• Specify Slab or DFMD



Door & DF: 11-7/8" W
Door: 18" H
DF: 5-7/8" H



Roman Door:
11-7/8" W
24" H

**NOT AVAILABLE IN FOLLOWING DOOR STYLES:
(MAY BE ORDERED AS A DOOR-NH*)**

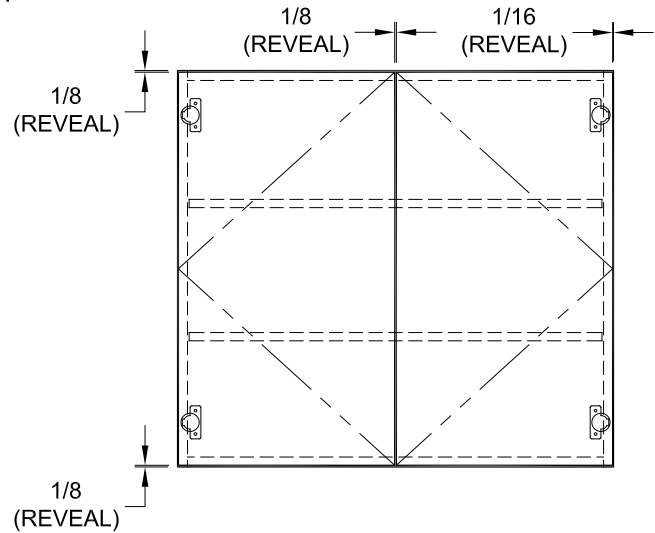
Exotic Wood Veneer	Metal door frames
Greenlam**	

*DOOR-NH samples will be priced at square inch price (see pg A-32)

**Greenlam color samples are available in 8x10 sheets
(see LIT/POS order form)

Wall Cabinets

Typical Wall Configuration



Note:

- Cabinets wider than 36" have a 3" wide center mullion that is compatible with door color
- Height of cabinet determines quantity of adjustable shelves

Standard door sizes

Width	
Cabinet Width	Door Width
9"	8-7/8"
12"	11-7/8"
15"	14-7/8"
18"	17-7/8"
21"	20-7/8"
24"	23-7/8"
24" DD	(2) 11-7/8"
27"	(2) 13-3/8"
30"	(2) 14-7/8"
33"	(2) 16-3/8"
36"	(2) 17-7/8"
37"	(2) 18-3/8"
39"	(2) 19-3/8"
42"	(2) 20-7/8"
45"	(2) 22-3/8"
48"	(2) 23-7/8"

Height	
Cabinet Height	Door Height
12"	11-3/4"
14"	13-3/4"
15"	14-3/4"
18"	17-3/4"
20"	19-3/4"
21"	20-3/4"
24"	23-3/4"
26"	25-3/4"
27"	26-3/4"
30"	29-3/4"
33"	32-3/4"
36"	35-3/4"
39"	38-3/4"
42"	41-3/4"

Height	
Cabinet Type	Door Height
MSC	
30"	11-3/4"
33"	14-3/4"
36"	17-3/4"
39"	20-3/4"
42"	23-3/4"
MUC	
30"	11-3/4"
33"	11-3/4"
36"	14-3/4"
39"	17-3/4"
42"	20-3/4"
WAG & WCAAG	
48"	29-3/4"
54"	35-3/4"
60"	41-3/4"

Height	
Cabinet Type	Door Height
WD & WPD	
30"	15-15/16"
33"	18-15/16"
36"	21-15/16"
39"	24-15/16"
42"	27-15/16"
WLO-6 & WSD	
30"	23-3/4"
33"	26-3/4"
36"	29-3/4"
39"	32-3/4"
42"	35-3/4"
WLO-12	
30"	17-3/4"
33"	20-3/4"
36"	23-3/4"
39"	26-3/4"
42"	29-3/4"

Door & Drawer Front configuration

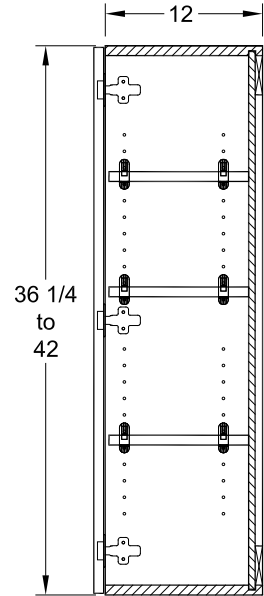
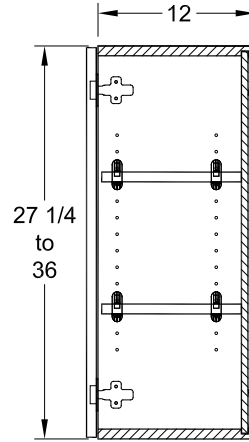
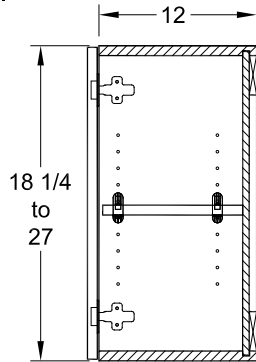
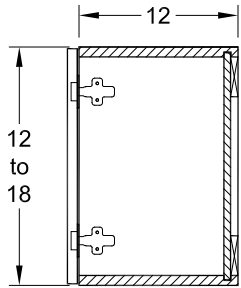
Width rules for Doors and/or Fronts	Width Formulas
9" - 24" W = 1 door	Cabinet width - 1/8" = size
9" - 36" W = 1 drawer	
24" DD - 36" W = 2 doors	(Cabinet width - 1/4") ÷ 2 = size
36-1/4" - 48" W = 2 drs, fixed center mullion	

Wall Cabinets

Wall Cross Sections

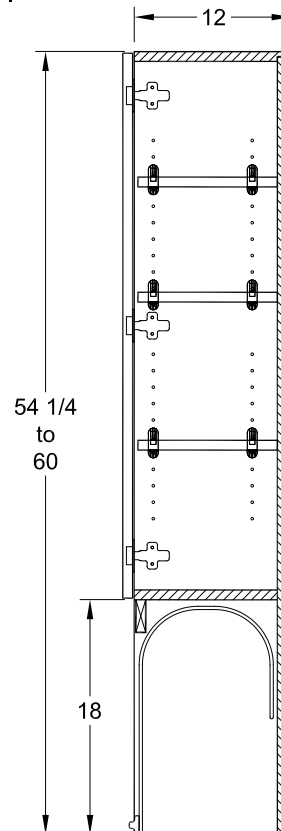
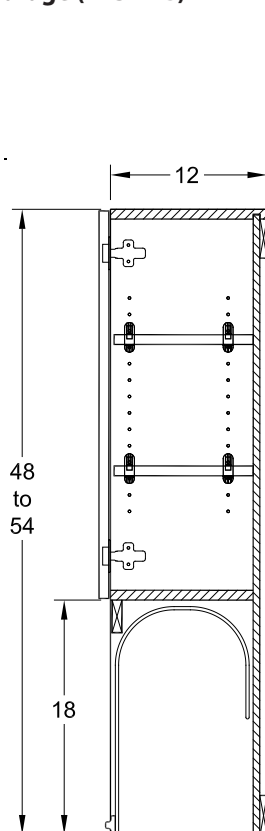
Find door & drawer front heights, widths and reveals on pg W-1

Walls (W_)



Wall Appliance Garage (WAG)

Wall Corner Angle Appliance Garage (WCAAG)

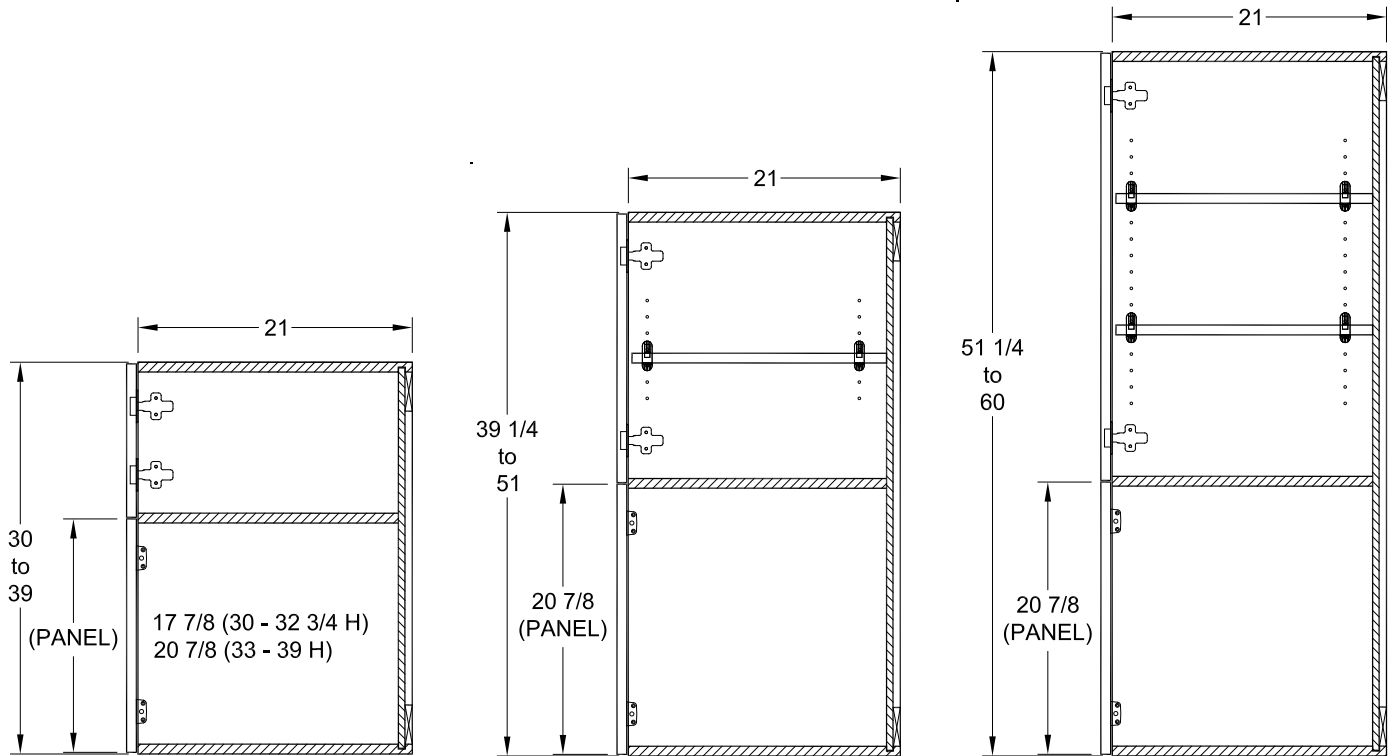


Wall Cabinets

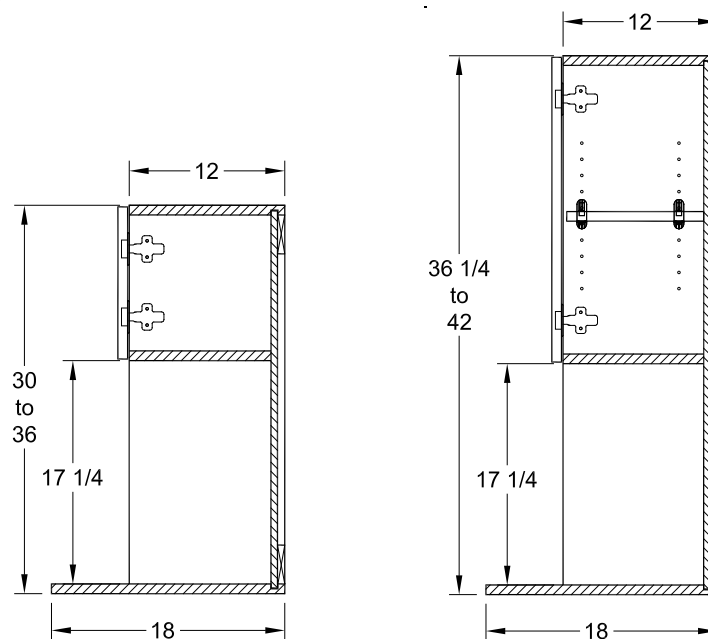
Wall Cross Sections

Find door & drawer front heights, widths and reveals on pg W-1

Microwave Universal Cabinets (MUC)



Microwave Shelf Cabinet (MSC)



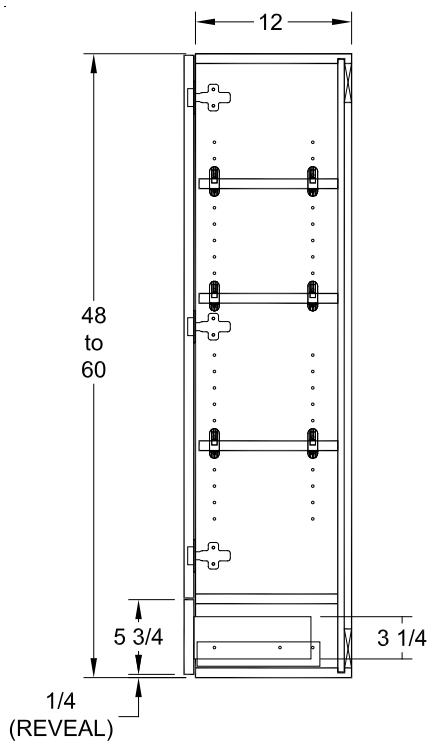
Wall Cabinets

Wall Cross Sections

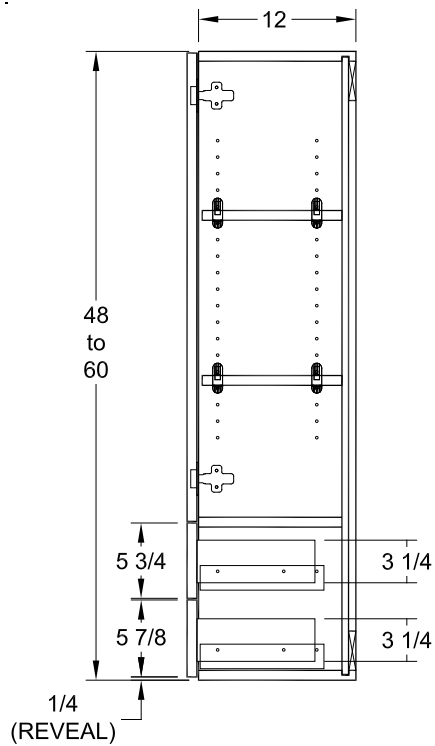
Find door & drawer front heights, widths and reveals on pg W-1

Wall with drawers (W_D)

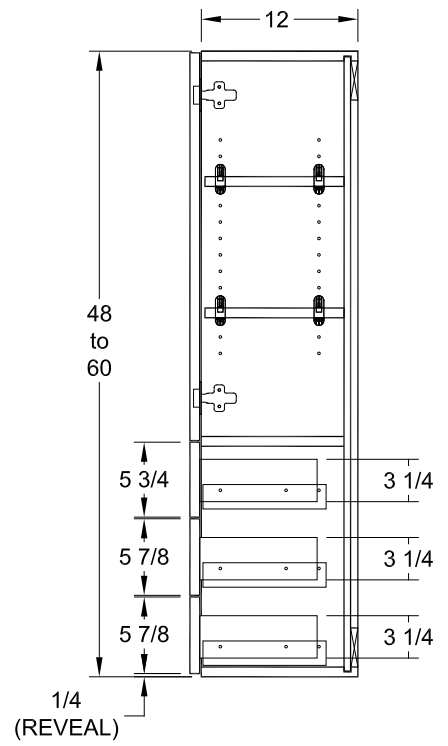
Wall 1-Drawer (W1D)



Wall 2-Drawer (W2D)



Wall 3-Drawer (W3D)



Wall Cabinets

<< Intentionally Blank >>

Wall Cabinets

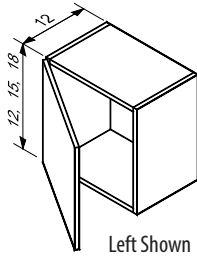
* L or R required

WALL – 12", 14", 15" & 18" TALL

- Cabinets wider than 36" have a 3"W center mullion which is compatible with door color
- No adjustable shelves

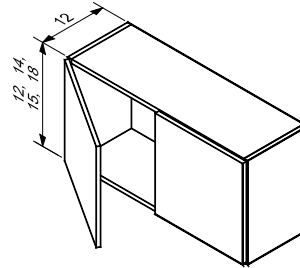
MODIFICATION LIMITS

Width 9" – 24"
 Height 12" – 18"
 Depth 6" – 24"



MODIFICATION LIMITS

Width 18" – 42"
 Height 12" – 18"
 Depth 6" – 30"



W1DR

12" H	15" H	18" H
W1212*	W1215*	W1218*
W1512*	W1515*	W1518*
W1812*	W1815*	W1818*
W2112*	W2115*	W2118*
W2412*	W2415*	W2418*

W2DR

12" H	14" H	15" H	18" H
W2412DD	W3714	W2415DD	W2418DD
W2712		W2715	W2718
W3012		W3015	W3018
W3312		W3315	W3318
W3612		W3615	W3618
W3912		W3915	W3918
W4212		W4215	W4218

Wall Cabinets

* L or R required

	M0	M1	M2	M3	M3A	M4	M4A	M5	M5A	M6	M6A	M7	M8	M9	M10	M11	M11A	M13	M15	M16
WALL – 12" H																				
W1212*	166	207	236	249	280	249	280	275	310	275	310	287	298	310	336	300	339	326	373	375
W1512*	178	222	253	270	304	270	304	302	341	302	341	315	327	341	370	338	382	366	422	432
W1812*	189	236	271	290	327	290	327	329	371	329	371	343	358	371	402	375	424	409	470	490
W2112*	201	251	288	310	351	310	351	354	402	354	402	370	385	402	434	410	466	448	516	550
W2412*	212	265	307	331	375	331	375	382	432	382	432	399	416	432	468	448	509	488	565	607
W2412DD	224	280	324	351	397	351	397	409	463	409	463	427	446	463	500	485	551	529	612	665
W2712	270	338	404	438	497	438	497	505	575	505	575	529	551	575	622	572	651	624	724	751
W3012	278	348	417	455	516	455	516	529	602	529	602	553	578	602	651	609	694	665	772	814
W3312	289	361	434	475	539	475	539	556	633	556	633	582	607	633	683	648	739	709	821	879
W3612	300	375	451	495	563	495	563	583	665	583	665	611	638	665	719	687	784	751	872	943
W3912	310	388	466	514	585	514	585	609	694	609	694	638	665	694	750	726	828	794	923	1007
W4212	323	404	483	534	609	534	609	636	726	636	726	667	695	726	785	763	872	836	970	1065
WALL – 14" H																				
W3714	320	400	485	538	612	538	612	644	734	644	734	673	704	734	794	780	890	855	992	1106
WALL – 15" H																				
W1215*	172	215	248	263	295	263	295	293	332	293	332	307	319	332	360	327	370	356	409	421
W1515*	190	237	275	293	331	293	331	332	377	332	377	348	361	377	407	377	427	410	473	492
W1815*	206	258	302	326	368	326	368	371	421	371	421	388	404	421	455	426	483	465	536	563
W2115*	224	280	329	356	404	356	404	410	466	410	466	429	448	466	504	475	539	519	599	634
W2415*	240	300	356	388	441	388	441	449	510	449	510	470	490	510	553	524	597	572	663	706
W2415DD	258	322	385	419	475	419	475	490	558	490	558	512	534	558	604	573	653	626	726	777
W2715	275	344	412	449	510	449	510	529	602	529	602	553	578	602	651	621	707	678	787	848
W3015	292	365	439	482	548	482	548	568	648	568	648	595	621	648	700	670	765	733	850	919
W3315	302	378	456	504	573	504	573	599	682	599	682	626	655	682	738	714	814	782	907	994
W3615	314	392	475	526	599	526	599	629	717	629	717	658	689	717	775	758	865	829	963	1068
W3915	326	407	494	548	624	548	624	658	750	658	750	689	719	750	811	802	916	879	1021	1141
W4215	343	429	521	578	658	578	658	702	801	702	801	734	768	801	865	851	974	933	1084	1213
WALL – 18" H																				
W1218*	182	227	263	283	319	283	319	322	363	322	363	336	349	363	393	368	417	402	461	488
W1518*	198	248	288	314	354	314	354	363	410	363	410	378	395	410	444	429	487	468	539	585
W1818*	213	266	312	343	388	343	388	404	458	404	458	422	439	458	495	488	555	533	616	682
W2118*	226	282	332	368	417	368	417	439	499	439	499	460	478	499	539	541	616	590	683	772
W2418*	238	297	353	393	446	393	446	473	538	473	538	495	516	538	582	594	677	650	751	862
W2418DD	283	354	429	471	536	471	536	556	633	556	633	582	607	633	683	655	746	716	831	899
W2718	297	371	449	497	565	497	565	592	675	592	675	619	646	675	729	707	807	773	899	987
W3018	310	387	470	522	594	522	594	626	714	626	714	655	683	714	772	760	867	831	965	1077
W3318	322	402	490	548	624	548	624	661	755	661	755	692	724	755	816	812	928	889	1033	1167
W3618	335	419	512	573	653	573	653	697	795	697	795	729	763	795	860	865	989	948	1101	1255
W3918	347	434	533	597	680	597	680	731	834	731	834	765	801	834	902	918	1048	1006	1169	1345
W4218	361	451	553	622	709	622	709	767	875	767	875	802	840	875	946	972	1111	1065	1238	1435

Wall Cabinets

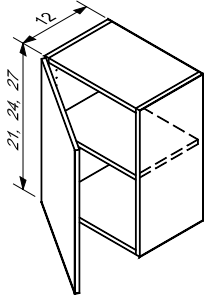
* L or R required

WALL – 21", 24" & 27" TALL

- One adjustable shelf
- Cabinets wider than 36" have a 3"W center mullion that is compatible with door color
- Back of center mullion is drilled for adjustable shelf clips
- Adjustable shelf depth is reduced 3/4" to accommodate center mullion and shelf clip

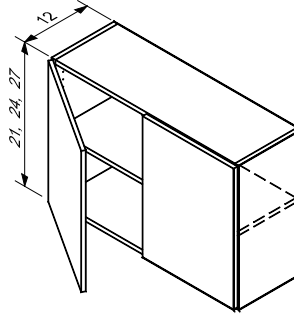
MODIFICATION LIMITS

Width 9" – 24"
 Height 18-1/4" – 27"
 Depth 6" – 24"



MODIFICATION LIMITS

Width 18" – 42"
 Height 18-1/4" – 27"
 Depth 6" – 30"



W1DR

21" H	24" H	27" H
W0921*	W0924*	W0927*
W1221*	W1224*	W1227*
W1521*	W1524*	W1527*
W1821*	W1824*	W1827*
W2121*	W2124*	W2127*
W2421*	W2424*	W2427*

W2DR

20" H	21" H	24" H	26" H	27" H
W3720	W2421DD	W2424DD	W3726	W2427DD
	W2721	W2724		W2727
	W3021	W3024		W3027
	W3321	W3324		W3327
	W3621	W3624		W3627
	W3921	W3924		W3927
	W4221	W4224		W4227

Wall Cabinets

* L or R required

	M0	M1	M2	M3	M3A	M4	M4A	M5	M5A	M6	M6A	M7	M8	M9	M10	M11	M11A	M13	M15	M16
WALL – 20" H																				
W3720	362	453	560	634	722	634	722	787	899	787	899	824	860	899	972	1009	1153	1106	1287	1509
WALL – 21" H																				
W0921*	181	226	261	280	315	280	315	317	358	317	358	331	344	358	387	361	409	393	453	477
W1221*	198	248	290	315	358	315	358	366	416	366	416	383	399	416	449	434	492	473	546	595
W1521*	216	270	317	349	395	349	395	414	470	414	470	432	451	470	509	504	573	550	636	711
W1821*	234	292	344	383	434	383	434	460	522	460	522	480	502	522	565	573	653	626	726	828
W2121*	248	310	370	414	470	414	470	504	573	504	573	527	550	573	621	639	729	699	811	941
W2421*	263	329	393	444	505	444	505	546	622	546	622	572	597	622	673	706	804	772	895	1053
W2421DD	310	387	470	522	594	522	594	629	717	629	717	658	689	717	775	767	875	840	975	1091
W2721	324	405	495	555	631	555	631	673	768	673	768	706	736	768	831	833	951	912	1060	1204
W3021	339	424	521	585	667	585	667	716	817	716	817	750	784	817	884	899	1026	984	1143	1316
W3321	354	443	544	616	702	616	702	760	867	760	867	795	831	867	936	965	1102	1057	1228	1430
W3621	370	463	572	648	738	648	738	804	918	804	918	841	879	918	992	1031	1179	1130	1314	1542
W3921	386	482	595	678	773	678	773	846	967	846	967	887	926	967	1045	1096	1253	1201	1398	1655
W4221	400	500	621	709	807	709	807	890	1016	890	1016	931	974	1016	1097	1163	1331	1275	1484	1767
WALL – 24" H																				
W0924*	198	248	288	315	356	315	356	360	407	360	407	375	392	407	441	419	475	456	527	565
W1224*	216	270	317	349	395	349	395	412	468	412	468	431	449	468	507	499	566	544	629	700
W1524*	234	292	346	385	436	385	436	465	527	465	527	485	507	527	570	578	658	633	733	836
W1824*	252	315	377	422	480	422	480	516	587	516	587	539	563	587	634	658	750	719	834	974
W2124*	270	338	405	460	522	460	522	568	648	568	648	595	621	648	700	738	843	807	938	1109
W2424*	288	360	434	495	563	495	563	619	706	619	706	648	677	706	763	816	931	894	1038	1245
W2424DD	334	417	510	573	653	573	653	702	801	702	801	734	768	801	865	879	1004	962	1118	1282
W2724	351	439	541	611	695	611	695	755	862	755	862	790	826	862	931	958	1096	1050	1221	1420
W3024	369	461	570	648	739	648	739	806	921	806	921	845	882	921	996	1036	1186	1136	1321	1555
W3324	386	483	599	683	780	683	780	858	980	858	980	899	940	980	1060	1116	1277	1223	1425	1691
W3624	404	505	629	721	823	721	823	909	1040	909	1040	953	996	1040	1124	1196	1369	1311	1526	1828
W3924	422	527	658	758	865	758	865	962	1099	962	1099	1007	1053	1099	1187	1274	1459	1398	1626	1964
W4224	440	550	687	794	906	794	906	1013	1158	1013	1158	1062	1109	1158	1252	1353	1550	1484	1730	2100
WALL – 26" H																				
W3726	430	538	670	770	880	770	880	979	1119	979	1119	1026	1072	1119	1211	1301	1489	1425	1662	2006
WALL – 27" H																				
W0927*	209	261	305	332	377	332	377	385	436	385	436	402	419	436	471	453	514	494	570	619
W1227*	230	287	338	373	422	373	422	443	502	443	502	461	482	502	543	543	617	592	685	770
W1527*	250	312	370	412	468	412	468	500	570	500	570	524	546	570	616	631	719	690	801	923
W1827*	270	338	404	455	516	455	516	558	636	558	636	583	609	636	687	721	821	787	914	1075
W2127*	289	361	436	495	563	495	563	617	702	617	702	644	673	702	760	809	924	885	1029	1228
W2427*	310	387	468	536	611	536	611	675	768	675	768	706	738	768	831	897	1026	982	1143	1381
W2427DD	355	444	544	614	700	614	700	758	865	758	865	794	829	865	934	960	1097	1052	1223	1418
W2727	376	470	578	656	748	656	748	816	931	816	931	855	894	931	1006	1048	1199	1148	1336	1570
W3027	395	494	611	697	795	697	795	873	997	873	997	914	955	997	1079	1136	1301	1247	1450	1723
W3327	415	519	643	738	841	738	841	931	1065	931	1065	975	1019	1065	1152	1225	1403	1343	1564	1874
W3627	434	543	677	778	889	778	889	989	1131	989	1131	1036	1084	1131	1223	1314	1504	1440	1679	2027
W3927	454	568	709	821	936	821	936	1046	1197	1046	1197	1097	1146	1197	1294	1403	1606	1538	1793	2179
W4227	474	592	743	862	984	862	984	1104	1264	1104	1264	1157	1211	1264	1365	1491	1708	1635	1906	2332

Wall Cabinets

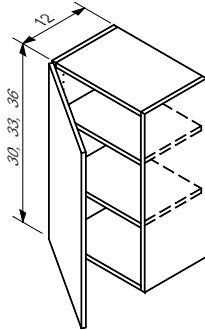
* L or R required

WALL – 30", 33", & 36" H

- Two adjustable shelves
- Cabinets wider than 36" have a 3" wide center mullion that is compatible with door color
- Back of center mullion is drilled for adjustable shelf clips
- Adjustable shelf depth is reduced 3/4" to accommodate center mullion and shelf clip

MODIFICATION LIMITS

Width 6" – 24"
 Height 27-1/4" – 36"
 Depth 6" – 24"

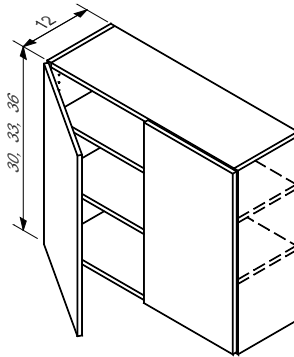


W1DR

30" H	33" H	36" H
W0930*	W0933*	W0936*
W1230*	W1233*	W1236*
W1530*	W1533*	W1536*
W1830*	W1833*	W1836*
W2130*	W2133*	W2136*
W2430*	W2433*	W2436*

MODIFICATION LIMITS

Width 18" – 42"
 Height 27-1/4" – 36"
 Depth 6" – 24"



W2DR

30" H	33" H	36" H
W2430DD	W2433DD	W2436DD
W2730	W2733	W2736
W3030	W3033	W3036
W3330	W3333	W3336
W3630	W3633	W3636
W3930	W3933	W3936
W4230	W4233	W4236

Wall Cabinets

* L or R required

	M0	M1	M2	M3	M3A	M4	M4A	M5	M5A	M6	M6A	M7	M8	M9	M10	M11	M11A	M13	M15	M16
WALL – 30" H																				
W0930*	220	275	321	349	395	349	395	409	463	409	463	427	446	463	500	487	553	531	614	672
W1230*	242	302	356	395	448	395	448	471	536	471	536	494	514	536	580	585	667	639	741	840
W1530*	265	331	393	439	499	439	499	536	611	536	611	561	585	611	660	683	780	748	867	1009
W1830*	286	358	429	485	551	485	551	600	683	600	683	628	656	683	739	782	892	856	994	1177
W2130*	308	385	466	531	604	531	604	665	758	665	758	695	728	758	819	880	1006	963	1121	1347
W2430*	330	412	502	577	656	577	656	729	833	729	833	763	799	833	901	979	1119	1072	1247	1515
W2430DD	376	470	578	655	746	655	746	812	928	812	928	851	889	928	1002	1040	1189	1140	1326	1552
W2730	399	499	616	700	799	700	799	877	1002	877	1002	919	960	1002	1084	1138	1303	1248	1452	1720
W3030	421	526	651	746	851	746	851	940	1074	940	1074	984	1029	1074	1160	1236	1416	1355	1579	1889
W3330	442	553	687	790	902	790	902	1004	1148	1004	1148	1052	1101	1148	1241	1333	1526	1462	1703	2057
W3630	464	580	724	836	955	836	955	1068	1223	1068	1223	1119	1172	1223	1321	1431	1640	1570	1830	2225
W3930	486	607	760	882	1007	882	1007	1131	1294	1131	1294	1186	1240	1294	1399	1530	1754	1679	1957	2393
W4230	507	634	797	928	1060	928	1060	1196	1369	1196	1369	1253	1311	1369	1479	1628	1866	1788	2083	2563
WALL – 33" H																				
W0933*	228	285	332	363	410	363	410	426	482	426	482	444	465	482	521	510	580	556	644	709
W1233*	251	314	370	410	466	410	466	492	560	492	560	516	538	560	605	614	700	672	778	887
W1533*	274	343	409	458	519	458	519	560	638	560	638	587	612	638	689	719	821	787	912	1067
W1833*	297	371	446	505	575	505	575	628	716	628	716	656	687	716	772	823	938	901	1046	1245
W2133*	320	400	485	553	629	553	629	695	794	695	794	728	762	794	856	926	1058	1014	1180	1423
W2433*	342	427	522	602	685	602	685	763	872	763	872	799	836	872	941	1029	1179	1128	1313	1603
W2433DD	388	485	599	680	775	680	775	846	967	846	967	887	926	967	1045	1091	1248	1196	1392	1638
W2733	413	516	638	728	831	728	831	914	1045	914	1045	958	1002	1045	1128	1196	1369	1311	1526	1818
W3033	434	543	675	775	885	775	885	982	1123	982	1123	1028	1075	1123	1213	1299	1487	1425	1659	1996
W3333	458	572	712	823	940	823	940	1048	1199	1048	1199	1099	1150	1199	1296	1403	1606	1538	1793	2174
W3633	480	600	751	870	994	870	994	1116	1277	1116	1277	1170	1225	1277	1381	1506	1725	1652	1925	2354
W3933	503	629	789	918	1050	918	1050	1184	1353	1184	1353	1240	1297	1353	1462	1610	1845	1767	2061	2532
W4233	525	656	828	967	1104	967	1104	1252	1433	1252	1433	1311	1372	1433	1548	1713	1964	1881	2193	2710
WALL – 36" H																				
W0936*	234	293	343	375	424	375	424	441	500	441	500	461	482	500	541	533	605	582	673	745
W1236*	259	324	382	426	483	426	483	512	583	512	583	536	560	583	631	643	733	702	816	933
W1536*	283	354	422	475	539	475	539	583	665	583	665	611	638	665	719	753	860	824	957	1123
W1836*	306	383	463	526	599	526	599	655	746	655	746	685	716	746	807	862	984	943	1097	1311
W2136*	331	414	502	575	655	575	655	726	828	726	828	760	794	828	895	972	1111	1065	1238	1499
W2436*	354	443	543	626	714	626	714	797	911	797	911	834	873	911	984	1080	1236	1184	1379	1689
W2436DD	400	500	619	704	804	704	804	880	1006	880	1006	923	963	1006	1087	1141	1306	1252	1457	1725
W2736	425	531	658	755	862	755	862	951	1087	951	1087	997	1043	1087	1175	1252	1433	1372	1599	1915
W3036	448	560	697	804	918	804	918	1023	1170	1023	1170	1072	1121	1170	1265	1360	1559	1492	1738	2103
W3336	472	590	738	853	975	853	975	1092	1250	1092	1250	1145	1197	1250	1350	1470	1684	1613	1881	2291
W3636	495	619	777	904	1033	904	1033	1163	1331	1163	1331	1219	1275	1331	1438	1579	1810	1733	2020	2481
W3936	520	650	817	953	1091	953	1091	1235	1413	1235	1413	1294	1353	1413	1526	1689	1937	1854	2162	2670
W4236	542	678	856	1004	1148	1004	1148	1306	1496	1306	1496	1369	1433	1496	1616	1798	2061	1974	2301	2858

Wall Cabinets

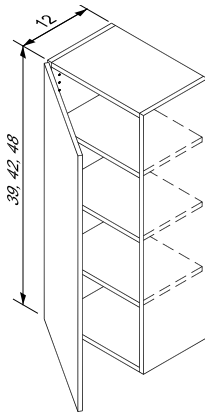
* L or R required

WALL – 39", 42" & 48" H

- Cabinets wider than 36" have a 3" wide center mullion that is compatible with door color
- Back of center mullion is drilled for adjustable shelf clips
- Adjustable shelf depth is reduced 3/4" to accommodate center mullion and shelf clip
- Three adjustable shelves

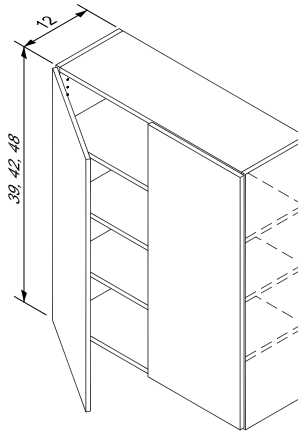
MODIFICATION LIMITS

Width 6" – 24"
 Height 36-1/4" – 48"
 Depth 6" – 24"



MODIFICATION LIMITS

Width 18" – 42"
 Height 36-1/4" – 48"
 Depth 6" – 24"



W1DR

39" H	42" H	48" H
W0939*	W0942*	W0948*
W1239*	W1242*	W1248*
W1539*	W1542*	W1548*
W1839*	W1842*	W1848*
W2139*	W2142*	W2148*
W2439*	W2442*	W2448*

W2DR

39" H	42" H	48" H
W2439DD	W2442DD	W2448DD
W2739	W2742	W2748
W3039	W3042	W3048
W3339	W3342	W3348
W3639	W3642	W3648
W3939	W3942	W3948
W4239	W4242	W4248

Wall Cabinets

* L or R required

	M0	M1	M2	M3	M3A	M4	M4A	M5	M5A	M6	M6A	M7	M8	M9	M10	M11	M11A	M13	M15	M16
WALL – 39" H																				
W0939*	246	307	358	392	444	392	444	465	527	465	527	485	507	527	570	565	643	617	716	797
W1239*	271	339	400	448	509	448	509	541	616	541	616	566	590	616	667	683	780	748	868	1001
W1539*	304	380	453	509	578	509	578	628	716	628	716	656	685	716	772	812	928	889	1033	1216
W1839*	330	412	497	565	643	565	643	704	804	704	804	738	770	804	868	931	1063	1019	1186	1420
W2139*	355	444	539	617	704	617	704	782	892	782	892	817	855	892	963	1050	1201	1150	1338	1625
W2439*	382	477	582	673	768	673	768	858	982	858	982	899	941	982	1060	1169	1336	1280	1491	1830
W2439DD	434	543	667	760	867	760	867	950	1085	950	1085	996	1040	1085	1172	1238	1416	1357	1581	1874
W2739	460	575	711	814	931	814	931	1028	1175	1028	1175	1077	1126	1175	1269	1357	1554	1487	1733	2081
W3039	486	607	753	868	992	868	992	1104	1264	1104	1264	1157	1209	1264	1364	1476	1691	1618	1886	2285
W3339	511	639	797	923	1055	923	1055	1180	1352	1180	1352	1238	1294	1352	1459	1594	1827	1749	2039	2490
W3639	538	672	840	977	1116	977	1116	1258	1440	1258	1440	1319	1379	1440	1555	1713	1962	1879	2191	2695
W3939	563	704	884	1029	1179	1029	1179	1335	1528	1335	1528	1399	1464	1528	1652	1832	2100	2010	2346	2900
W4239	575	719	909	1068	1221	1068	1221	1396	1599	1396	1599	1464	1531	1599	1727	1933	2217	2122	2476	3087
WALL – 42" H																				
W0942*	255	319	371	409	463	409	463	487	553	487	553	509	531	553	599	597	680	653	756	848
W1242*	282	353	417	468	533	468	533	568	648	568	648	595	621	648	700	724	826	792	919	1068
W1542*	324	405	482	543	617	543	617	670	765	670	765	702	733	765	828	870	994	953	1107	1308
W1842*	351	439	529	602	687	602	687	753	860	753	860	789	824	860	929	999	1143	1094	1274	1528
W2142*	380	475	575	660	753	660	753	836	955	836	955	875	916	955	1033	1126	1289	1235	1437	1749
W2442*	407	509	621	719	821	719	821	919	1052	919	1052	963	1007	1052	1136	1255	1437	1377	1603	1971
W2442DD	466	583	714	814	929	814	929	1018	1163	1018	1163	1067	1116	1163	1257	1333	1526	1462	1703	2023
W2742	495	619	762	873	999	873	999	1102	1262	1102	1262	1155	1209	1262	1364	1460	1672	1603	1867	2246
W3042	522	653	807	931	1065	931	1065	1184	1355	1184	1355	1241	1297	1355	1464	1589	1822	1743	2034	2466
W3342	551	689	855	990	1133	990	1133	1269	1452	1269	1452	1330	1391	1452	1569	1716	1967	1884	2196	2686
W3642	578	722	901	1048	1199	1048	1199	1352	1548	1352	1548	1418	1482	1548	1674	1845	2115	2025	2363	2909
W3942	606	758	948	1106	1265	1106	1265	1435	1643	1435	1643	1504	1574	1643	1776	1972	2262	2166	2527	3129
W4242	608	760	960	1131	1294	1131	1294	1484	1701	1484	1701	1557	1628	1701	1838	2067	2371	2269	2649	3316
WALL – 48" H																				
W0948*	291	365	424	467	529	467	529	557	632	557	632	582	607	632	685	682	777	746	864	969
W1248*	322	403	477	535	609	535	609	649	741	649	741	680	710	741	800	827	944	905	1050	1221
W1548*	370	463	551	621	705	621	705	766	874	766	874	802	838	874	946	994	1136	1089	1265	1495
W1848*	401	502	605	688	785	688	785	861	983	861	983	902	942	983	1062	1142	1306	1250	1456	1746
W2148*	434	543	657	754	861	754	861	955	1091	955	1091	1000	1047	1091	1181	1287	1473	1411	1642	1999
W2448*	465	582	710	822	938	822	938	1050	1202	1050	1202	1101	1151	1202	1298	1434	1642	1574	1832	2253
W2448DD	533	666	816	930	1062	930	1062	1163	1329	1163	1329	1219	1275	1329	1437	1523	1744	1671	1946	2312
W2748	566	707	871	998	1142	998	1142	1259	1442	1259	1442	1320	1382	1442	1559	1669	1911	1832	2134	2567
W3048	597	746	922	1064	1217	1064	1217	1353	1549	1353	1549	1418	1482	1549	1673	1816	2082	1992	2325	2818
W3348	630	787	977	1131	1295	1131	1295	1450	1659	1450	1659	1520	1590	1659	1793	1961	2248	2153	2510	3070
W3648	661	825	1030	1198	1370	1198	1370	1545	1769	1545	1769	1621	1694	1769	1913	2109	2417	2314	2701	3325
W3948	693	866	1083	1264	1446	1264	1446	1640	1878	1640	1878	1719	1799	1878	2030	2254	2585	2475	2888	3576
W4248	695	869	1097	1293	1479	1293	1479	1696	1944	1696	1944	1779	1861	1944	2101	2362	2710	2593	3027	3790

Wall Cabinets

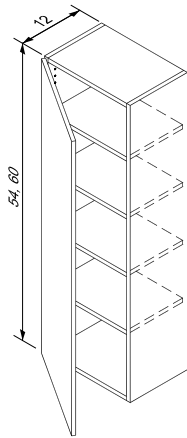
* L or R required

WALL – 54" & 60" H

- Cabinets wider than 36" have a 3" wide center mullion that is compatible with door color
- Back of center mullion is drilled for adjustable shelf clips
- Adjustable shelf depth is reduced 3/4" to accommodate center mullion and shelf clip
- Four adjustable shelves

MODIFICATION LIMITS

Width 6" – 24"
 Height 48-1/4" – 60"
 Depth 6" – 24"

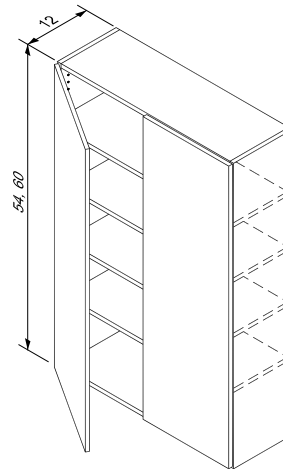


W1DR

54" H	60" H
W0954*	W0960*
W1254*	W1260*
W1554*	W1560*
W1854*	W1860*
W2154*	W2160*
W2454*	W2460*

MODIFICATION LIMITS

Width 18" – 42"
 Height 48-1/4" – 60"
 Depth 6" – 24"



W2DR

54" H	60" H
W2454DD	W2460DD
W2754	W2760
W3054	W3060
W3354	W3360
W3654	W3660
W3954	W3960
W4254	W4260

Wall Cabinets

* L or R required

	M0	M1	M2	M3	M3A	M4	M4A	M5	M5A	M6	M6A	M7	M8	M9	M10	M11	M11A	M13	M15	M16
WALL – 54" H																				
W0954*	328	410	477	526	595	526	595	626	711	626	711	654	683	711	770	768	874	840	972	1090
W1254*	363	454	536	602	685	602	685	730	833	730	833	765	798	833	900	931	1062	1018	1182	1373
W1554*	417	521	620	698	793	698	793	861	984	861	984	903	942	984	1065	1119	1278	1225	1423	1682
W1854*	451	564	680	774	883	774	883	968	1106	968	1106	1014	1059	1106	1194	1284	1470	1407	1638	1965
W2154*	489	611	739	849	968	849	968	1075	1228	1075	1228	1125	1178	1228	1328	1448	1657	1588	1848	2249
W2454*	523	654	798	924	1056	924	1056	1182	1353	1182	1353	1238	1295	1353	1461	1614	1848	1770	2061	2534
W2454DD	599	750	918	1047	1194	1047	1194	1309	1495	1309	1495	1372	1435	1495	1616	1714	1962	1880	2190	2601
W2754	636	796	980	1122	1284	1122	1284	1417	1623	1417	1623	1485	1554	1623	1754	1877	2150	2061	2400	2888
W3054	671	840	1038	1197	1369	1197	1369	1522	1742	1522	1742	1596	1668	1742	1882	2043	2343	2241	2615	3171
W3354	708	886	1099	1273	1457	1273	1457	1632	1867	1632	1867	1710	1788	1867	2017	2206	2529	2422	2823	3453
W3654	743	928	1158	1347	1542	1347	1542	1738	1990	1738	1990	1823	1905	1990	2152	2372	2719	2604	3038	3740
W3954	779	975	1219	1422	1626	1422	1626	1845	2112	1845	2112	1934	2024	2112	2283	2535	2908	2785	3249	4023
W4254	782	977	1234	1454	1664	1454	1664	1908	2187	1908	2187	2002	2093	2187	2363	2658	3048	2917	3406	4263
WALL – 60" H																				
W0960*	364	456	530	584	661	584	661	696	790	696	790	727	759	790	856	853	971	933	1080	1211
W1260*	403	504	596	669	761	669	761	811	926	811	926	850	887	926	1000	1034	1180	1131	1313	1526
W1560*	463	579	689	776	881	776	881	957	1093	957	1093	1003	1047	1093	1183	1243	1420	1361	1581	1869
W1860*	501	627	756	860	981	860	981	1076	1229	1076	1229	1127	1177	1229	1327	1427	1633	1563	1820	2183
W2160*	543	679	821	943	1076	943	1076	1194	1364	1194	1364	1250	1309	1364	1476	1609	1841	1764	2053	2499
W2460*	581	727	887	1027	1173	1027	1173	1313	1503	1313	1503	1376	1439	1503	1623	1793	2053	1967	2290	2816
W2460DD	666	833	1020	1163	1327	1163	1327	1454	1661	1454	1661	1524	1594	1661	1796	1904	2180	2089	2433	2890
W2760	707	884	1089	1247	1427	1247	1427	1574	1803	1574	1803	1650	1727	1803	1949	2086	2389	2290	2667	3209
W3060	746	933	1153	1330	1521	1330	1521	1691	1936	1691	1936	1773	1853	1936	2091	2270	2603	2490	2906	3523
W3360	787	984	1221	1414	1619	1414	1619	1813	2074	1813	2074	1900	1987	2074	2241	2451	2810	2691	3137	3837
W3660	826	1031	1287	1497	1713	1497	1713	1931	2211	1931	2211	2026	2117	2211	2391	2636	3021	2893	3376	4156
W3960	866	1083	1354	1580	1807	1580	1807	2050	2347	2050	2347	2149	2249	2347	2537	2817	3231	3094	3610	4470
W4260	869	1086	1371	1616	1849	1616	1849	2120	2430	2120	2430	2224	2326	2430	2626	2953	3387	3241	3784	4737

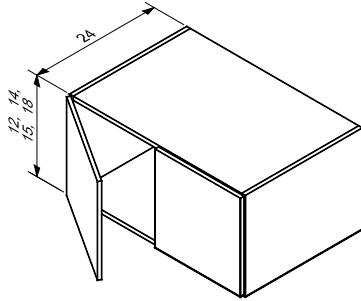
Wall Cabinets

24" DEEP WALL – 12", 14", 15" & 18" H

MODIFICATION LIMITS

Width 18" – 42"
 Height 12" – 18"
 Depth No Depth Mods

- Cabinets wider than 36" have a 3" wide center mullion that is compatible with door color
- No adjustable shelves



W2DRx24

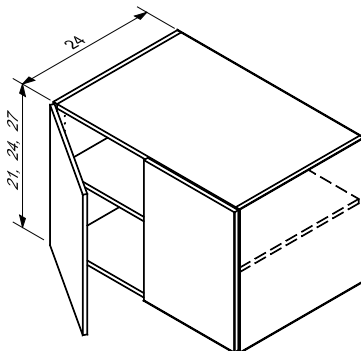
12" H	14" H	15" H	18" H
W3012X24	W3714X24	W3015X24	W3018X24
W3312X24		W3315X24	W3318X24
W3612X24		W3615X24	W3618X24
W3912X24		W3915X24	W3918X24
W4212X24		W4215X24	W4218X24

24" DEEP WALL – 20", 21", 24", 26" & 27" H

MODIFICATION LIMITS

Width 18" – 42"
 Height 18-1/4" – 27"
 Depth No Depth Mods

- One adjustable shelf
- Cabinets wider than 36" have a 3" wide center mullion which is compatible with door color
- Back of center mullion is drilled for adjustable shelf clips
- Adjustable shelf depth is reduced 3/4" to accommodate center mullion and shelf clip
- Center mullion may be removed to remove adjustable shelf



W2DRx24

20" H	21" H	24" H	26" H	27" H
W3720x24	W3021X24	W3024X24	W3726x24	W3027X24
	W3321X24	W3324X24		W3327X24
	W3621X24	W3624X24		W3627X24
	W3921X24	W3924X24		W3927X24
	W4221X24	W4224X24		W4227X24

Wall Cabinets

	M0	M1	M2	M3	M3A	M4	M4A	M5	M5A	M6	M6A	M7	M8	M9	M10	M11	M11A	M13	M15	M16
24" DEEP WALL – 12" H																				
W3012x24	341	426	495	533	605	533	605	607	692	607	692	636	663	692	748	687	784	751	872	892
W3312x24	357	446	519	560	638	560	638	641	731	641	731	672	700	731	790	733	836	802	931	963
W3612x24	373	466	543	587	668	587	668	675	770	675	770	707	738	770	833	778	889	851	990	1035
W3912x24	390	487	565	612	697	612	697	707	807	707	807	741	773	807	873	824	941	902	1048	1106
W4212x24	407	509	589	639	729	639	729	741	846	741	846	777	811	846	914	868	992	951	1106	1170
24" DEEP WALL – 14" H																				
W3714x24	404	505	590	643	733	643	733	750	855	750	855	784	821	855	924	885	1013	970	1128	1211
24" DEEP WALL – 15" H																				
W3015x24	362	453	527	570	650	570	650	656	748	656	748	687	717	748	809	758	865	829	963	1007
W3315x24	378	473	551	599	682	599	682	694	792	694	792	726	758	792	856	809	924	885	1029	1089
W3615x24	395	494	577	628	716	628	716	731	834	731	834	765	801	834	902	860	982	941	1094	1170
W3915x24	413	516	602	656	748	656	748	767	875	767	875	802	840	875	946	911	1041	997	1160	1250
W4215x24	435	544	636	694	792	694	792	817	934	817	934	856	895	934	1011	967	1106	1060	1231	1328
24" DEEP WALL – 18" H																				
W3018x24	388	485	568	621	707	621	707	724	826	724	826	758	792	826	892	858	980	940	1092	1175
W3318x24	406	507	595	653	745	653	745	767	875	767	875	802	840	875	946	918	1048	1006	1169	1272
W3618x24	425	531	624	685	782	685	782	809	924	809	924	848	885	924	999	977	1118	1070	1245	1367
W3918x24	444	555	653	717	819	717	819	851	974	851	974	892	933	974	1052	1038	1187	1138	1323	1465
W4218x24	462	578	680	750	856	750	856	894	1021	894	1021	936	979	1021	1104	1099	1257	1204	1403	1562
24" DEEP WALL – 20" H																				
W3720x24	471	589	694	768	877	768	877	921	1053	921	1053	965	1007	1053	1138	1143	1308	1253	1459	1643
24" DEEP WALL – 21" H																				
W3021x24	435	544	641	706	806	706	806	836	955	836	955	875	916	955	1033	1019	1165	1116	1299	1437
W3321x24	458	572	673	745	850	745	850	889	1016	889	1016	931	974	1016	1097	1094	1250	1197	1394	1559
W3621x24	480	600	709	785	895	785	895	941	1075	941	1075	985	1029	1075	1162	1169	1336	1280	1491	1679
W3921x24	502	628	741	824	941	824	941	992	1135	992	1135	1040	1087	1135	1226	1241	1421	1362	1586	1801
W4221x24	524	655	775	863	985	863	985	1045	1194	1045	1194	1094	1145	1194	1291	1318	1508	1445	1682	1922
24" DEEP WALL – 24" H																				
W3024x24	474	592	700	778	889	778	889	936	1070	936	1070	980	1026	1070	1157	1167	1335	1279	1489	1686
W3324x24	499	624	739	824	941	824	941	999	1143	999	1143	1046	1094	1143	1235	1257	1438	1379	1604	1832
W3624x24	525	656	780	872	996	872	996	1060	1213	1060	1213	1111	1162	1213	1311	1347	1542	1477	1721	1979
W3924x24	551	689	819	919	1052	919	1052	1123	1286	1123	1286	1177	1231	1286	1389	1435	1643	1574	1835	2125
W4224x24	577	721	858	965	1104	965	1104	1184	1355	1184	1355	1241	1297	1355	1464	1525	1747	1672	1950	2271
24" DEEP WALL – 26" H																				
W3726x24	560	700	833	933	1067	933	1067	1141	1306	1141	1306	1197	1252	1306	1411	1464	1676	1604	1871	2169
24" DEEP WALL – 27" H																				
W3027x24	507	634	751	838	957	838	957	1014	1158	1014	1158	1062	1111	1158	1252	1277	1462	1401	1632	1864
W3327x24	538	672	795	890	1016	890	1016	1084	1240	1084	1240	1136	1187	1240	1340	1377	1577	1511	1760	2027
W3627x24	566	707	841	943	1079	943	1079	1153	1319	1153	1319	1209	1265	1319	1426	1479	1693	1621	1889	2191
W3927x24	596	745	885	997	1140	997	1140	1223	1399	1223	1399	1282	1342	1399	1511	1579	1808	1732	2018	2356
W4227x24	624	780	931	1050	1201	1050	1201	1292	1481	1292	1481	1355	1418	1481	1599	1679	1925	1844	2149	2520

Wall Cabinets

** LL, LR, RL or RR required

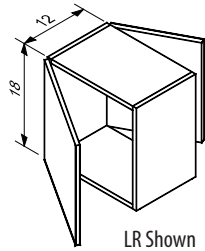
WALL DOUBLE-ENTRY – 18" H

- See chart on page for hinging on single-door cabinets
- No adjustable shelves

MODIFICATION LIMITS

Width 9" – 24"
 Height 12" – 18"
 Depth 9" – 24"

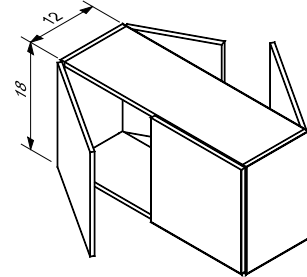
WDE2DR
 WDE1218**
 WDE1518**
 WDE1818**
 WDE2118**
 WDE2418**



MODIFICATION LIMITS

Width 18" – 36"
 Height 12" – 18"
 Depth 9" – 24"

WDE4DR
 WDE2418DD
 WDE2718
 WDE3018
 WDE3318
 WDE3618



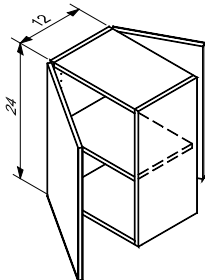
WALL DOUBLE-ENTRY – 24" H

- One adjustable shelf

MODIFICATION LIMITS

Width 9" – 24"
 Height 18-1/4" – 27"
 Depth 9" – 24"

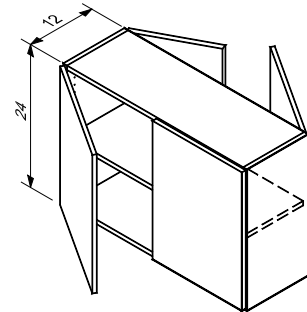
WDE2DR
 WDE1224**
 WDE1524**
 WDE1824**
 WDE2124**
 WDE2424**



MODIFICATION LIMITS

Width 18" – 36"
 Height 18-1/4" – 27"
 Depth 9" – 24"

WDE4DR
 WDE2424DD
 WDE2724
 WDE3024
 WDE3324
 WDE3624



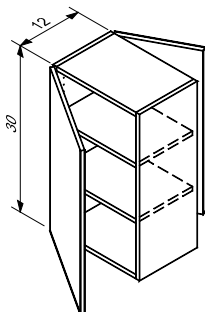
WALL DOUBLE-ENTRY – 30" H

- Two adjustable shelves

MODIFICATION LIMITS

Width 9" – 24"
 Height 27-1/4" – 36"
 Depth 9" – 24"

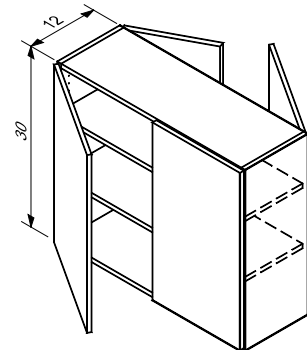
WDE2DR
 WDE1230**
 WDE1530**
 WDE1830**
 WDE2130**
 WDE2430**



MODIFICATION LIMITS

Width 18" – 36"
 Height 27-1/4" – 36"
 Depth 9" – 24"

WDE4DR
 WDE2430DD
 WDE2730
 WDE3030
 WDE3330
 WDE3630

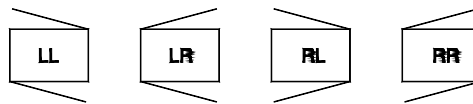


Wall Cabinets

** LL, LR, RL or RR required

	M0	M1	M2	M3	M3A	M4	M4A	M5	M5A	M6	M6A	M7	M8	M9	M10	M11	M11A	M13	M15	M16
WALL DBL-ENTRY (2-DR) – 18" H																				
WDE1218**	285	356	432	477	541	477	541	563	641	563	641	589	616	641	694	663	756	726	841	934
WDE1518**	302	378	463	516	587	516	587	622	709	622	709	651	680	709	767	758	865	829	963	1111
WDE1818**	310	387	471	524	597	524	597	631	719	631	719	660	690	719	777	767	875	840	975	1119
WDE2118**	335	419	522	595	678	595	678	741	846	741	846	777	811	846	914	950	1085	1041	1211	1462
WDE2418**	335	419	533	614	700	614	700	782	892	782	892	819	856	892	965	1026	1174	1124	1308	1616
WALL DBL-ENTRY (4-DR) – 18" H																				
WDE2418DD	430	538	689	777	887	777	887	951	1087	951	1087	997	1043	1087	1175	1152	1318	1262	1470	1694
WDE2718	444	555	716	812	928	812	928	1007	1152	1007	1152	1055	1104	1152	1245	1245	1425	1365	1589	1867
WDE3018	458	572	743	850	970	850	970	1063	1216	1063	1216	1114	1165	1216	1314	1338	1533	1467	1710	2040
WDE3318	472	590	770	887	1014	887	1014	1121	1282	1121	1282	1175	1230	1282	1386	1431	1640	1570	1830	2213
WDE3618	486	607	797	923	1055	923	1055	1179	1350	1179	1350	1236	1292	1350	1459	1525	1747	1672	1950	2386
WALL DBL-ENTRY (2-DR) – 24" H																				
WDE1224**	318	397	494	558	636	558	636	689	785	689	785	721	753	785	850	867	990	950	1102	1313
WDE1524**	338	422	534	614	700	614	700	775	885	775	885	812	848	885	957	1011	1157	1107	1289	1581
WDE1824**	359	449	575	670	765	670	765	862	984	862	984	902	943	984	1063	1155	1321	1267	1474	1849
WDE2124**	380	475	617	726	828	726	828	950	1085	950	1085	996	1041	1085	1174	1297	1486	1423	1657	2115
WDE2424**	402	502	658	782	892	782	892	1036	1186	1036	1186	1085	1136	1186	1280	1442	1652	1582	1844	2381
WALL DBL-ENTRY (4-DR) – 24" H																				
WDE2424DD	495	619	814	943	1079	943	1079	1206	1381	1206	1381	1264	1323	1381	1492	1567	1796	1720	2005	2459
WDE2724	517	646	855	999	1143	999	1143	1292	1481	1292	1481	1355	1418	1481	1599	1710	1959	1876	2188	2727
WDE3024	538	672	895	1055	1208	1055	1208	1379	1579	1379	1579	1445	1513	1579	1706	1854	2125	2035	2374	2993
WDE3324	558	697	936	1111	1272	1111	1272	1467	1681	1467	1681	1538	1610	1681	1816	1996	2290	2191	2558	3261
WDE3624	579	724	977	1167	1335	1167	1335	1554	1781	1554	1781	1630	1704	1781	1923	2140	2456	2351	2742	3528
WALL DBL-ENTRY (2-DR) – 30" H																				
WDE1230**	349	436	548	626	714	626	714	785	897	785	897	823	860	897	970	1018	1163	1116	1297	1579
WDE1530**	376	470	599	695	794	695	794	894	1021	894	1021	936	979	1021	1104	1196	1369	1311	1526	1911
WDE1830**	402	502	650	765	873	765	873	1001	1145	1001	1145	1048	1097	1145	1236	1374	1574	1508	1755	2242
WDE2130**	427	534	700	834	953	834	953	1109	1269	1109	1269	1162	1216	1269	1370	1550	1776	1701	1983	2573
WDE2430**	453	566	751	904	1033	904	1033	1218	1394	1218	1394	1277	1335	1394	1506	1728	1981	1896	2212	2904
WALL DBL-ENTRY (4-DR) – 30" H																				
WDE2430DD	548	685	907	1065	1218	1065	1218	1386	1587	1386	1587	1453	1520	1587	1715	1854	2125	2035	2374	2982
WDE2730	575	719	958	1135	1299	1135	1299	1494	1711	1494	1711	1567	1640	1711	1849	2032	2330	2230	2603	3312
WDE3030	601	751	1009	1204	1379	1204	1379	1603	1837	1603	1837	1681	1759	1837	1984	2210	2536	2427	2832	3643
WDE3330	627	784	1060	1274	1459	1274	1459	1710	1959	1710	1959	1793	1876	1959	2117	2386	2737	2620	3060	3974
WDE3630	653	816	1111	1343	1538	1343	1538	1818	2084	1818	2084	1906	1996	2084	2252	2564	2943	2817	3289	4304

WDE Single-door hinging



Primary Entry

Wall Cabinets

* L or R required

WALL STACKED 2-DOORS – 12" – 24" WIDE

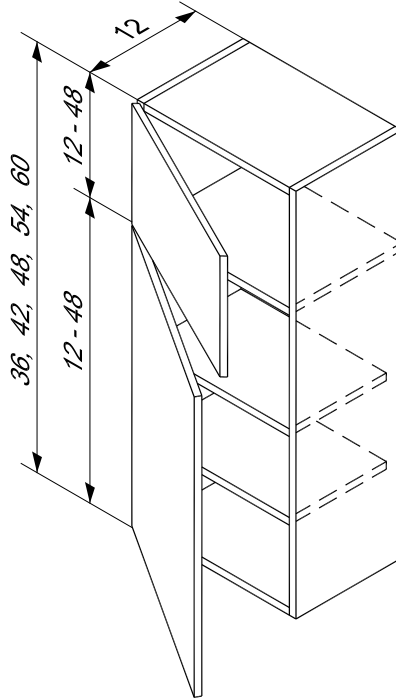
MODIFICATION LIMITS

Width 6" – 24"
 Height 24" – 66"
 Depth 6" – 24"

Upper or Lower Section Height	Qty of Adj. Shelves
12" – 18"	0
18 1/4" – 27"	1
27 1/4" – 36"	2
36 1/4" – 48"	3

- 3/4" fixed shelf between upper and lower doors
- Doors will overlay the 3/4" fixed mid-shelf 5/16" resulting in a 1/8" reveal between stacked doors

- Location & height of door on lower section will be same as door on cabinet of same height without stacked doors
- Height of door on upper section will be 1/8" taller than doors on a non-stacked cabinet of the same height



W2SDR			W2SDR		
36" H	39" H	42" H	48" H	54" H	60" H
W2SDR0936*	W2SDR0939*	W2SDR0942*	W2SDR0948*	W2SDR0954*	W2SDR0960*
W2SDR1236*	W2SDR1239*	W2SDR1242*	W2SDR1248*	W2SDR1254*	W2SDR1260*
W2SDR1536*	W2SDR1539*	W2SDR1542*	W2SDR1548*	W2SDR1554*	W2SDR1560*
W2SDR1836*	W2SDR1839*	W2SDR1842*	W2SDR1848*	W2SDR1854*	W2SDR1860*
W2SDR2136*	W2SDR2139*	W2SDR2142*	W2SDR2148*	W2SDR2154*	W2SDR2160*
W2SDR2436*	W2SDR2439*	W2SDR2442*	W2SDR2448*	W2SDR2454*	W2SDR2460*

HOW TO ORDER					
Configuration	W	H	Lower Section H	*	Swing
W2SDR	21	48	-	36	L

- Use chart to determine overall cabinet height by combining upper and lower section heights
- **Bold** heights are standard
- Light grey heights require height modification

		HEIGHT OF UPPER SECTION												
		12	15	18	21	24	27	30	33	36	39	42	45	48
HEIGHT OF LOWER SECTION	12	24	27	30	33	36	39	42	45	48	51	54	57	60
	15	27	30	33	36	39	42	45	48	51	54	57	60	63
	18	30	33	36	39	42	45	48	51	54	57	60	63	66
	21	33	36	39	42	45	48	51	54	57	60	63	66	
	24	36	39	42	45	48	51	54	57	60	63	66		
	27	39	42	45	48	51	54	57	60	63	66			
	30	42	45	48	51	54	57	60	63	66				
	33	45	48	51	54	57	60	63	66					
	36	48	51	54	57	60	63	66						
	39	51	54	57	60	63	66							
	42	54	57	60	63	66								
	45	57	60	63	66									
48	60	63	66											

Wall Cabinets

* L or R required

	M0	M1	M2	M3	M3A	M4	M4A	M5	M5A	M6	M6A	M7	M8	M9	M10	M11	M11A	M13	M15	M16
WALL (2-DR) STACK – 36" H																				
W2SDR0936-__*	645	806	867	897	962	897	962	955	1026	955	1026	979	1004	1026	1080	1013	1094	1068	1167	1177
W2SDR1236-__*	669	836	907	948	1019	948	1019	1026	1107	1026	1107	1053	1080	1107	1169	1118	1216	1186	1304	1358
W2SDR1536-__*	702	877	958	1009	1091	1009	1091	1107	1202	1107	1202	1138	1172	1202	1270	1240	1355	1318	1460	1552
W2SDR1836-__*	731	914	1006	1067	1158	1067	1158	1189	1297	1189	1297	1226	1260	1297	1372	1358	1491	1447	1613	1745
W2SDR2136-__*	756	945	1046	1118	1216	1118	1216	1260	1379	1260	1379	1301	1338	1379	1460	1464	1613	1562	1749	1925
W2SDR2436-__*	780	975	1087	1169	1274	1169	1274	1328	1457	1328	1457	1372	1413	1457	1545	1569	1735	1681	1884	2105
WALL (2-DR) STACK – 39" or 42" H																				
W2SDR09__*	680	850	919	960	1033	960	1033	1038	1123	1038	1123	1067	1094	1123	1184	1133	1231	1199	1323	1369
W2SDR12__*	712	890	974	1026	1109	1026	1109	1128	1228	1128	1228	1162	1194	1228	1297	1267	1387	1347	1496	1596
W2SDR15__*	747	934	1028	1091	1184	1091	1184	1219	1333	1219	1333	1258	1294	1333	1411	1403	1543	1496	1671	1823
W2SDR18__*	780	975	1082	1157	1260	1157	1260	1311	1437	1311	1437	1352	1396	1437	1523	1538	1698	1647	1845	2049
W2SDR21__*	814	1018	1136	1223	1336	1223	1336	1401	1542	1401	1542	1447	1494	1542	1635	1672	1854	1793	2018	2278
W2SDR24__*	846	1058	1191	1289	1413	1289	1413	1492	1647	1492	1647	1543	1596	1647	1750	1808	2010	1942	2193	2503
__ Specify overall height & lower section height																				
WALL (2-DR) STACK – 48" H																				
W2SDR0948-__*	706	882	960	1006	1085	1006	1085	1097	1192	1097	1192	1130	1162	1192	1258	1214	1326	1289	1428	1501
W2SDR1248-__*	730	912	999	1057	1145	1057	1145	1169	1275	1169	1275	1204	1240	1275	1348	1325	1453	1409	1570	1689
W2SDR1548-__*	766	958	1057	1126	1225	1126	1225	1267	1387	1267	1387	1308	1347	1387	1470	1472	1623	1572	1760	1937
W2SDR1848-__*	801	1001	1116	1197	1308	1197	1308	1365	1499	1365	1499	1409	1455	1499	1591	1618	1789	1733	1949	2183
W2SDR2148-__*	837	1046	1172	1267	1387	1267	1387	1462	1611	1462	1611	1511	1560	1611	1711	1764	1959	1894	2135	2430
W2SDR2448-__*	871	1089	1231	1338	1470	1338	1470	1560	1725	1560	1725	1615	1671	1725	1833	1910	2127	2054	2325	2678
WALL (2-DR) STACK – 54" H																				
W2SDR0954-__*	722	902	987	1040	1124	1040	1124	1145	1245	1145	1245	1179	1213	1245	1316	1282	1404	1365	1516	1615
W2SDR1254-__*	746	933	1026	1091	1184	1091	1184	1216	1328	1216	1328	1253	1291	1328	1406	1392	1531	1486	1659	1803
W2SDR1554-__*	787	984	1092	1170	1275	1170	1275	1328	1457	1328	1457	1370	1414	1457	1545	1564	1728	1674	1877	2089
W2SDR1854-__*	825	1031	1157	1250	1369	1250	1369	1440	1586	1440	1586	1489	1537	1586	1684	1732	1920	1857	2095	2374
W2SDR2154-__*	862	1077	1216	1325	1453	1325	1453	1547	1708	1547	1708	1601	1654	1708	1816	1894	2108	2037	2303	2653
W2SDR2454-__*	897	1121	1277	1401	1542	1401	1542	1652	1830	1652	1830	1711	1771	1830	1947	2056	2295	2215	2512	2932
WALL (2-DR) STACK – 60" H																				
W2SDR0960-__*	742	928	1016	1074	1163	1074	1163	1191	1297	1191	1297	1226	1262	1297	1374	1347	1479	1437	1599	1718
W2SDR1260-__*	770	962	1062	1133	1233	1133	1233	1272	1392	1272	1392	1313	1352	1392	1476	1474	1625	1576	1762	1939
W2SDR1560-__*	828	1035	1152	1238	1353	1238	1353	1414	1557	1414	1557	1462	1509	1557	1654	1681	1862	1803	2028	2274
W2SDR1860-__*	870	1087	1223	1326	1457	1326	1457	1538	1699	1538	1699	1593	1645	1699	1806	1869	2079	2008	2271	2591
W2SDR2160-__*	910	1138	1289	1409	1552	1409	1552	1657	1835	1657	1835	1716	1776	1835	1954	2049	2286	2206	2502	2902
W2SDR2460-__*	950	1187	1355	1494	1649	1494	1649	1774	1971	1774	1971	1840	1905	1971	2100	2230	2495	2408	2736	3214

"__" Specify height of lower section

Wall Cabinets

WALL STACKED 4-DOORS – 24DD" – 36" WIDE

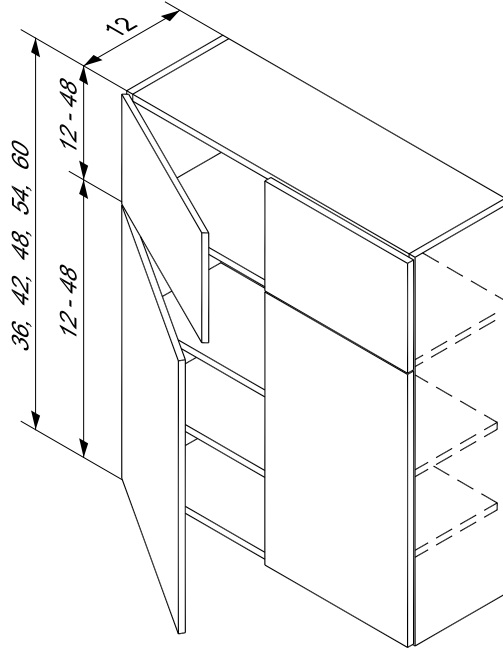
MODIFICATION LIMITS

Width 18" – 36"
 Height 24" – 66"
 Depth 6" – 24"

Upper or Lower Section Height	Qty of Adj. Shelves
12" – 18"	0
18 1/4" – 27"	1
27 1/4" – 36"	2
36 1/4" – 48"	3

- 3/4" fixed shelf is between upper and lower doors
- Doors will overlay the 3/4" fixed mid-shelf 5/16" resulting in a 1/8" reveal between stacked doors

- Location & height of door on lower section will be same as door on cabinet of same height without stacked doors
- Height of door on upper section will be 1/8" taller than doors on cabinet of same height without stacked doors



W4SDR			W4SDR		
36" H	39" H	42" H	48" H	54" H	60" H
W4SDR2436	W4SDR2439	W4SDR2442	W4SDR2448	W4SDR2454	W4SDR2460
W4SDR2736	W4SDR2739	W4SDR2742	W4SDR2748	W4SDR2754	W4SDR2760
W4SDR3036	W4SDR3039	W4SDR3042	W4SDR3048	W4SDR3054	W4SDR3060
W4SDR3336	W4SDR3339	W4SDR3342	W4SDR3348	W4SDR3354	W4SDR3360
W4SDR3636	W4SDR3639	W4SDR3642	W4SDR3648	W4SDR3654	W4SDR3660

HOW TO ORDER				
Configuration	W	H		Lower Section H
W4SDR	27	39	-	<u>21</u>

- Use chart to determine overall cabinet height by combining upper and lower section heights
- **Bold** heights are standard
- Light grey heights require height modification

		HEIGHT OF UPPER SECTION												
		12	15	18	21	24	27	30	33	36	39	42	45	48
HEIGHT OF LOWER SECTION	12	24	27	30	33	36	39	42	45	48	51	54	57	60
	15	27	30	33	36	39	42	45	48	51	54	57	60	63
	18	30	33	36	39	42	45	48	51	54	57	60	63	66
	21	33	36	39	42	45	48	51	54	57	60	63	66	
	24	36	39	42	45	48	51	54	57	60	63	66		
	27	39	42	45	48	51	54	57	60	63	66			
	30	42	45	48	51	54	57	60	63	66				
	33	45	48	51	54	57	60	63	66					
	36	48	51	54	57	60	63	66						
	39	51	54	57	60	63	66							
	42	54	57	60	63	66								
	45	57	60	63	66									
48	60	63	66											

Wall Cabinets

	M0	M1	M2	M3	M3A	M4	M4A	M5	M5A	M6	M6A	M7	M8	M9	M10	M11	M11A	M13	M15	M16
WALL (4-DR) STACK – 36" H																				
W4SDR2436-__	873	1091	1240	1325	1453	1325	1453	1494	1647	1494	1647	1545	1596	1647	1749	1691	1874	1813	2044	2179
W4SDR2736-__	899	1124	1280	1375	1511	1375	1511	1565	1732	1565	1732	1620	1674	1732	1840	1796	1996	1928	2179	2356
W4SDR3036-__	924	1155	1321	1426	1569	1426	1569	1633	1810	1633	1810	1691	1749	1810	1925	1901	2115	2044	2312	2536
W4SDR3336-__	949	1186	1362	1477	1630	1477	1630	1704	1891	1704	1891	1766	1830	1891	2013	2006	2237	2159	2447	2715
W4SDR3636-__	975	1219	1406	1528	1688	1528	1688	1776	1972	1776	1972	1840	1908	1972	2101	2112	2359	2278	2583	2892
WALL (4-DR) STACK – 39" or 42" H																				
W4SDR24__-__	905	1131	1284	1387	1525	1387	1525	1603	1772	1603	1772	1660	1716	1772	1884	1906	2122	2050	2320	2598
W4SDR27__-__	974	1218	1401	1520	1677	1520	1677	1764	1959	1764	1959	1830	1893	1959	2088	2091	2335	2254	2558	2853
W4SDR30__-__	1004	1255	1450	1582	1749	1582	1749	1850	2057	1850	2057	1918	1989	2057	2193	2227	2491	2402	2732	3085
W4SDR33__-__	1037	1296	1503	1647	1823	1647	1823	1942	2162	1942	2162	2015	2089	2162	2307	2363	2647	2552	2905	3317
W4SDR36__-__	1069	1336	1557	1713	1900	1713	1900	2034	2269	2034	2269	2112	2191	2269	2422	2500	2805	2703	3083	3550
__-__ Specify overall height & lower section height																				
WALL (4-DR) STACK – 48" H																				
W4SDR2448-__	930	1162	1325	1437	1582	1437	1582	1671	1850	1671	1850	1732	1791	1850	1969	2008	2239	2162	2451	2771
W4SDR2748-__	1000	1250	1443	1574	1740	1574	1740	1838	2044	1838	2044	1908	1976	2044	2179	2205	2466	2378	2705	3048
W4SDR3048-__	1031	1289	1496	1640	1815	1640	1815	1933	2154	1933	2154	2006	2081	2154	2298	2351	2634	2539	2892	3299
W4SDR3348-__	1066	1333	1554	1710	1896	1710	1896	2030	2264	2030	2264	2108	2186	2264	2415	2500	2805	2703	3083	3551
W4SDR3648-__	1100	1375	1610	1781	1978	1781	1978	2128	2378	2128	2378	2212	2295	2378	2539	2647	2975	2866	3273	3806
WALL (4-DR) STACK – 54" H																				
W4SDR2454-__	989	1236	1430	1557	1721	1557	1721	1818	2020	1818	2020	1886	1952	2020	2152	2178	2434	2349	2670	3005
W4SDR2754-__	1027	1284	1489	1633	1808	1633	1808	1925	2144	1925	2144	1998	2071	2144	2286	2340	2622	2527	2880	3283
W4SDR3054-__	1062	1328	1548	1708	1893	1708	1893	2030	2266	2030	2266	2108	2186	2266	2418	2502	2807	2705	3085	3562
W4SDR3354-__	1099	1374	1610	1782	1981	1782	1981	2135	2386	2135	2386	2218	2303	2386	2547	2664	2993	2883	3295	3840
W4SDR3654-__	1136	1420	1671	1859	2067	1859	2067	2242	2508	2242	2508	2330	2420	2508	2680	2826	3180	3063	3502	4118
WALL (4-DR) STACK – 60" H																				
W4SDR2460-__	1055	1319	1525	1667	1847	1667	1847	1955	2178	1955	2178	2030	2105	2178	2322	2369	2654	2559	2915	3304
W4SDR2760-__	1098	1372	1593	1752	1945	1752	1945	2076	2318	2076	2318	2156	2237	2318	2474	2549	2861	2758	3148	3614
W4SDR3060-__	1137	1421	1659	1835	2040	1835	2040	2191	2451	2191	2451	2278	2363	2451	2617	2731	3070	2956	3380	3925
W4SDR3360-__	1178	1472	1727	1920	2139	1920	2139	2312	2588	2312	2588	2403	2497	2588	2766	2910	3277	3155	3611	4235
W4SDR3660-__	1218	1523	1794	2003	2234	2003	2234	2430	2725	2430	2725	2529	2627	2725	2915	3092	3485	3355	3845	4545

"__" Specify height of lower section

Wall Cabinets

* L or R required

WALL APPLIANCE GARAGE

Styles not available	
Exotic Wood Veneer	Thermo Structered Surface (TSS)
Bamboo	Sapele
Black Walnut	Greenlam
Foil	Acrylic
HPL	LPL

Cabinet Height	Qty of Adjustable Shelves
48" - 54"	2
54-1/4" - 66"	3

- Finished interior (FMI)
- Exterior ends are not finished
- Height modifications are made in door area
- Height may be reduced by trimming bottom
- Opening height with tambour door raised: approx. 14-3/4"

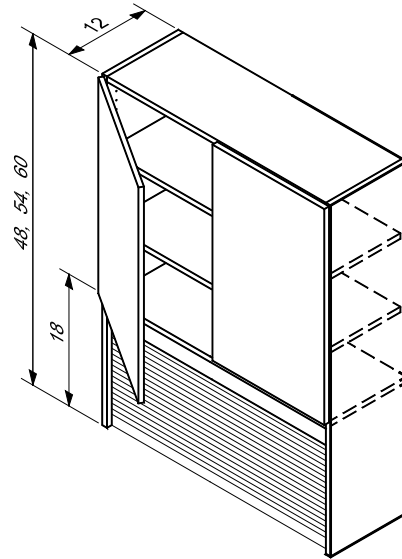
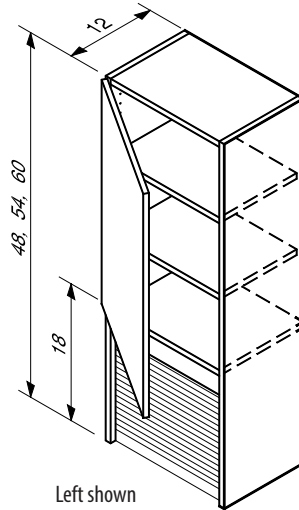
- Default height of tambour section: 18"
- Tambour height Modification available:
 - Increased to a max. 24" H (1/4" increments)
 - Overall cabinet height does not change, difference is taken from door section
 - Add \$254 MSRP for this modification

MODIFICATION LIMITS

Width 15" - 24"
 Height 48" - 66"
 Depth 12" - 24"

MODIFICATION LIMITS

Width 18" - 36"
 Height 48" - 66"
 Depth 12" - 24"



WAG1DR	WAG2DR
48" 51" 54" 57" 60" H	
WAG15__*	WAG24__DD
WAG18__*	WAG27__
WAG21__*	WAG30__
WAG24__*	WAG33__
	WAG36__

APPLIANCE GARAGE

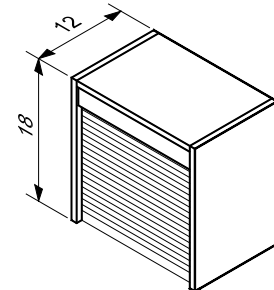
MODIFICATION LIMITS

Width 15" - 36"
 Height 18" - 24"
 Depth 12" - 24"

- Opening height with tambour raised: 13-3/4"
- Finished interior (FMI)
- Exterior ends are not finished

- Height may be reduced by trimming bottom
- See styles not available above

AG	
18" H	
AG15	AG27
AG18	AG30
AG21	AG33
AG24	AG36



Wall Cabinets

* L or R required

	M0	M1	M2	M3	M3A	M4	M4A	M5	M5A	M6	M6A	M7	M8	M9	M10	M11	M11A	M13	M15	M16	
WALL APPLIANCE GARAGE (1-DR) - 48" H																					
WAG1548*	526	658	739	801	914	801	914	926	1058	926	1058	970	1014	1058	1143	1094	1252	1199	1396	1286	
WAG1848*	685	856	911	943	1079	943	1079	1009	1155	1009	1155	1058	1106	1155	1248	1118	1279	1225	1426	1462	
WAG2148*	766	957	1016	1053	1204	1053	1204	1130	1292	1130	1292	1184	1238	1292	1396	1233	1411	1352	1574	1523	
WAG2448*	846	1057	1121	1163	1331	1163	1331	1250	1431	1250	1431	1311	1370	1431	1547	1372	1572	1504	1754	1638	
WALL APPLIANCE GARAGE (2-DR) - 48" H																					
WAG2448DD	905	1131	1219	1265	1448	1265	1448	1358	1555	1358	1555	1425	1491	1555	1681	1452	1664	1593	1855	1686	
WAG2748	986	1233	1325	1375	1576	1375	1576	1479	1694	1479	1694	1550	1623	1694	1830	1591	1823	1745	2035	1864	
WAG3048	1066	1333	1430	1486	1703	1486	1703	1599	1833	1599	1833	1677	1755	1833	1981	1730	1983	1900	2215	2040	
WAG3348	1146	1433	1535	1596	1828	1596	1828	1720	1971	1720	1971	1803	1888	1971	2128	1869	2144	2052	2393	2217	
WAG3648	1226	1533	1640	1706	1955	1706	1955	1840	2110	1840	2110	1930	2020	2110	2279	2008	2303	2205	2573	2395	
WALL APPLIANCE GARAGE (1-DR) - 51" & 54" H																					
WAG15(H)*	630	787	843	879	1004	879	1004	950	1085	950	1085	996	1041	1085	1174	1043	1194	1143	1330	1253	
WAG18(H)*	712	890	953	994	1136	994	1136	1079	1235	1079	1235	1131	1182	1235	1335	1197	1370	1313	1528	1457	
WAG21(H)*	795	994	1063	1111	1272	1111	1272	1209	1384	1209	1384	1267	1326	1384	1496	1352	1548	1482	1728	1659	
WAG24(H)*	878	1097	1172	1226	1404	1226	1404	1338	1533	1338	1533	1403	1467	1533	1657	1504	1723	1650	1923	1862	
WALL APPLIANCE GARAGE (2-DR) - 51" & 54" H																					
WAG24(H)DD	938	1172	1272	1330	1523	1330	1523	1447	1657	1447	1657	1516	1587	1657	1791	1586	1818	1740	2028	1910	
WAG27(H)	1020	1275	1381	1445	1655	1445	1655	1576	1806	1576	1806	1652	1728	1806	1952	1740	1994	1910	2227	2113	
WAG30(H)	1103	1379	1491	1562	1789	1562	1789	1704	1954	1704	1954	1788	1871	1954	2112	1893	2171	2078	2424	2315	
WAG33(H)	1185	1481	1599	1677	1923	1677	1923	1835	2105	1835	2105	1925	2015	2105	2274	2047	2347	2247	2622	2519	
WAG36(H)	1267	1584	1710	1794	2057	1794	2057	1964	2252	1964	2252	2061	2156	2252	2434	2201	2525	2417	2820	2722	
WALL APPLIANCE GARAGE (1-DR) - 57" & 60" H																					
WAG15(H)*	682	853	919	967	1106	967	1106	1062	1214	1062	1214	1113	1163	1214	1313	1196	1369	1311	1526	1491	
WAG18(H)*	770	963	1040	1094	1252	1094	1252	1208	1382	1208	1382	1265	1325	1382	1494	1375	1576	1509	1759	1735	
WAG21(H)*	859	1074	1158	1221	1398	1221	1398	1352	1548	1352	1548	1418	1482	1548	1674	1554	1781	1704	1988	1979	
WAG24(H)*	946	1182	1275	1348	1545	1348	1545	1498	1716	1498	1716	1570	1643	1716	1854	1732	1984	1901	2217	2223	
WALL APPLIANCE GARAGE (2-DR) - 57" & 60" H																					
WAG24(H)DD	1023	1279	1396	1472	1686	1472	1686	1626	1864	1626	1864	1706	1784	1864	2013	1832	2100	2011	2346	2293	
WAG27(H)	1111	1389	1515	1599	1833	1599	1833	1772	2032	1772	2032	1859	1945	2032	2195	2011	2307	2208	2576	2537	
WAG30(H)	1199	1499	1633	1727	1979	1727	1979	1916	2198	1916	2198	2010	2105	2198	2374	2190	2512	2405	2805	2781	
WAG33(H)	1288	1610	1752	1854	2125	1854	2125	2062	2366	2062	2366	2164	2264	2366	2556	2368	2717	2600	3034	3026	
WAG36(H)	1374	1718	1871	1981	2271	1981	2271	2208	2534	2208	2534	2317	2425	2534	2737	2546	2921	2797	3265	3270	

(H)" Specify height

	M0	M1	M2	M3	M3A	M4	M4A	M5	M5A	M6	M6A	M7	M8	M9	M10	M11	M11A	M13	M15	M16	
APPLIANCE GARAGE - 18" H																					
AG15	497	621	621	621	621	621	621	621	621	621	621	621	621	621	672	678	678	678	621	678	
AG18	528	660	660	660	660	660	660	660	660	660	660	660	660	660	660	721	721	721	660	721	
AG21	558	697	697	697	697	697	697	697	697	697	697	697	697	697	697	763	763	763	697	763	
AG24	589	736	736	736	736	736	736	736	736	736	736	736	736	736	736	806	806	806	736	806	
AG27	620	775	775	775	775	775	775	775	775	775	775	775	775	775	775	848	848	848	775	848	
AG30	651	814	814	814	814	814	814	814	814	814	814	814	814	814	814	892	892	892	814	892	
AG33	681	851	851	851	851	851	851	851	851	851	851	851	851	851	851	933	933	933	851	933	
AG36	712	890	890	890	890	890	890	890	890	890	890	890	890	890	890	975	975	975	890	975	

Wall Cabinets

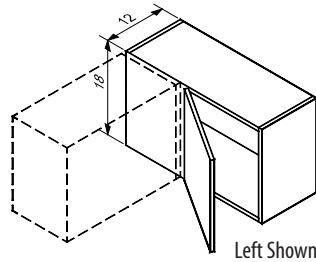
* L or R required

WALL SQUARE CORNER – 18" H

MODIFICATION LIMITS

Width No width mods
 Height 12" – 18"
 Depth 6" – 24"

- No adjustable shelves
- See chart/diagram on pg W-25 for specifications
- Right or Left determined by specifying which side is voided
- Blind area not finished



WSC1DR

18" H

WSC2418*

WSC2718*

WSC3018*

WSC3318*

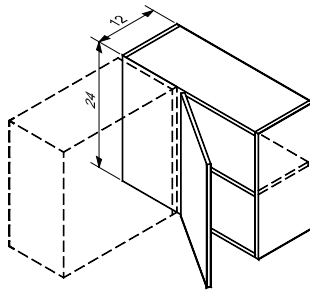
WSC3618*

WALL SQUARE CORNER – 24" H

MODIFICATION LIMITS

Width No width mods
 Height 18-1/4" – 27"
 Depth 6" – 24"

- One adjustable shelf



WSC1DR

24" H

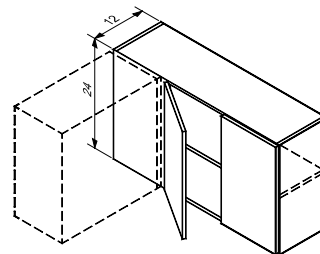
WSC2424*

WSC2724*

WSC3024*

WSC3324*

WSC3624*



WSC2DR

24" H

WSC3924*

WSC4224*

WSC4524*

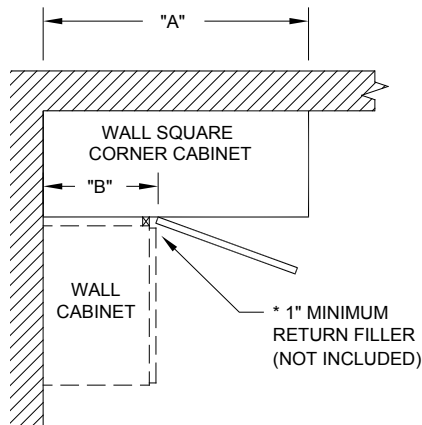
WSC4824*

Wall Cabinets

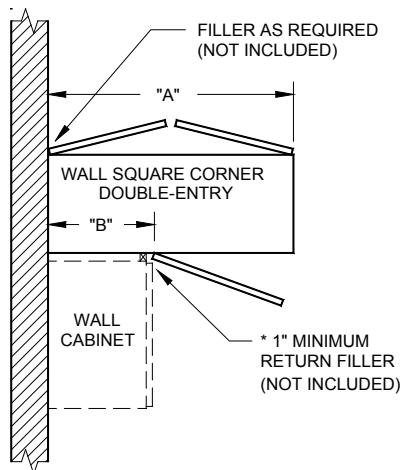
* L or R required

	M0	M1	M2	M3	M3A	M4	M4A	M5	M5A	M6	M6A	M7	M8	M9	M10	M11	M11A	M13	M15	M16
WALL SQUARE CORNER (1-DR) – 18" H																				
WSC2418*	316	395	436	460	522	460	522	510	580	510	580	534	558	580	628	570	650	622	721	721
WSC2718*	335	419	465	492	560	492	560	555	631	555	631	580	605	631	682	634	722	694	804	829
WSC3018*	351	439	488	524	597	524	597	599	682	599	682	626	655	682	738	700	799	767	889	940
WSC3318*	368	460	517	558	636	558	636	641	731	641	731	672	700	731	790	768	877	841	977	1046
WSC3618*	386	482	546	590	672	590	672	685	782	685	782	717	750	782	845	833	951	912	1060	1155
WALL SQUARE CORNER (1-DR) – 24" H																				
WSC2424*	359	449	497	527	600	527	600	592	675	592	675	619	646	675	729	678	773	743	862	882
WSC2724*	380	475	529	566	644	566	644	646	736	646	736	677	707	736	795	760	867	831	965	1021
WSC3024*	399	499	560	605	690	605	690	700	799	700	799	733	767	799	863	841	962	921	1070	1160
WSC3324*	418	522	592	644	734	644	734	753	860	753	860	789	824	860	929	924	1057	1013	1177	1297
WSC3624*	438	548	624	683	780	683	780	807	923	807	923	846	884	923	997	1006	1150	1102	1282	1437
WALL SQUARE CORNER (2-DR) – 24" H																				
WSC3924*	503	629	731	802	916	802	916	945	1080	945	1080	990	1035	1080	1167	1148	1314	1258	1465	1611
WSC4224*	524	655	763	841	962	841	962	999	1143	999	1143	1046	1094	1143	1235	1230	1408	1348	1570	1750
WSC4524*	542	678	795	880	1006	880	1006	1053	1204	1053	1204	1104	1155	1204	1301	1311	1501	1438	1676	1889
WSC4824*	563	704	828	919	1052	919	1052	1107	1267	1107	1267	1160	1214	1267	1369	1394	1598	1530	1782	2028

Wall Square Corner & Wall Square Double-Entry Specifications



Cabinet Size	Actual Width	Door Width
WSC24	24"	1@10 7/8"
WSC27	27"	1@13 7/8"
WSC30	30"	1@16 7/8"
WSC33	33"	1@19 7/8"
WSC36	36"	1@22 7/8"
WSC39	39"	2@12 7/8"
WSC42	42"	2@14 3/8"
WSC45	45"	2@15 7/8"
WSC48	48"	2@17 3/8"



Cabinet Size	Actual Width	Kitchen Side Door Width	Back Side Door Width
WSCDE24	24"	1@10 7/8"	1@23 7/8"
WSCDE24DD	24"	1@10 7/8"	2@11 7/8"
WSCDE27	27"	1@13 7/8"	2@13 3/8"
WSCDE30	30"	1@16 7/8"	2@14 7/8"
WSCDE33	33"	1@19 7/8"	2@16 3/8"
WSCDE36	36"	1@22 7/8"	2@17 7/8"

- Maximum recommended pull is 3"
- Dimension "A" – Actual callout width and cabinet width
- Dimension "B" – Clearance between blind side of WSC and edge of door on WSC
 - Does not include depth of door, drawer or hardware on return cabinet
 - When cabinet is placed at callout width (dim. "A"), dimension "B" will be 13"
- Right or Left orientation determined by specifying which side is voided
- Void is a finished 3/4" thick panel
- 1" min. filler required to allow adjacent cabinet door to clear door on square corner cabinet
- A filler equal to hardware depth + 1" must be used to clear door hardware

Wall Cabinets

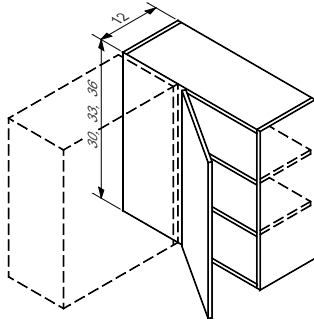
* L or R required

WALL SQUARE CORNER – 30", 33", & 36" H

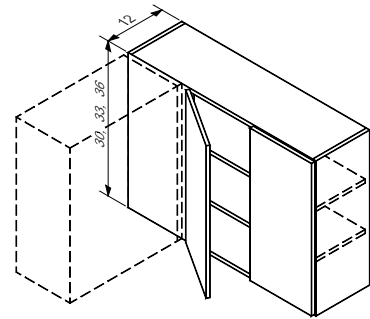
MODIFICATION LIMITS

Width No width mods
 Height 27-1/4" – 36"
 Depth 6" – 24"

- Two adjustable shelves
- See chart/diagram on pg W-25 for specifications
- Right or Left determined by specifying which side is voided
- Blind area not finished



WSC1DR



WSC2DR

WSC1DR		
30" H	33" H	36" H
WSC2430*	WSC2433*	WSC2436*
WSC2730*	WSC2733*	WSC2736*
WSC3030*	WSC3033*	WSC3036*
WSC3330*	WSC3333*	WSC3336*
WSC3630*	WSC3633*	WSC3636*

WSC2DR		
30" H	33" H	36" H
WSC3930*	WSC3933*	WSC3936*
WSC4230*	WSC4233*	WSC4236*
WSC4530*	WSC4533*	WSC4536*
WSC4830*	WSC4833*	WSC4836*

	M0	M1	M2	M3	M3A	M4	M4A	M5	M5A	M6	M6A	M7	M8	M9	M10	M11	M11A	M13	M15	M16
WALL SQUARE CORNER (1-DR) – 30" H																				
WSC2430*	403	504	558	595	678	595	678	673	768	673	768	706	736	768	831	787	899	862	1001	1043
WSC2730*	425	531	594	641	731	641	731	738	843	738	843	773	807	843	911	885	1013	970	1128	1213
WSC3030*	446	558	631	687	784	687	784	802	916	802	916	840	879	916	990	982	1123	1075	1252	1381
WSC3330*	468	585	667	731	834	731	834	865	989	865	989	906	948	989	1068	1080	1236	1184	1379	1548
WSC3630*	491	614	702	777	887	777	887	929	1062	929	1062	974	1018	1062	1148	1179	1350	1292	1504	1718
WALL SQUARE CORNER (2-DR) – 30" H																				
WSC3930*	559	699	816	901	1029	901	1029	1077	1233	1077	1233	1130	1180	1233	1333	1338	1533	1467	1710	1923
WSC4230*	581	726	851	946	1082	946	1082	1140	1304	1140	1304	1194	1250	1304	1409	1437	1645	1576	1837	2091
WSC4530*	602	753	889	992	1135	992	1135	1204	1379	1204	1379	1262	1321	1379	1491	1535	1759	1684	1964	2261
WSC4830*	624	780	924	1038	1187	1038	1187	1269	1452	1269	1452	1330	1391	1452	1569	1633	1872	1793	2089	2429
WALL SQUARE CORNER (1-DR) – 33" H																				
WSC2433*	422	527	583	624	711	624	711	706	806	706	806	739	772	806	870	828	946	907	1053	1102
WSC2733*	445	556	621	672	765	672	765	773	884	773	884	811	846	884	955	933	1067	1021	1187	1282
WSC3033*	466	583	660	719	821	719	821	841	962	841	962	882	921	962	1038	1035	1184	1135	1319	1460
WSC3333*	490	612	697	767	875	767	875	909	1038	909	1038	951	996	1038	1121	1138	1303	1248	1453	1638
WSC3633*	513	641	734	814	931	814	931	977	1116	977	1116	1023	1070	1116	1206	1243	1423	1364	1587	1818
WALL SQUARE CORNER (2-DR) – 33" H																				
WSC3933*	582	728	850	940	1075	940	1075	1126	1289	1126	1289	1180	1235	1289	1392	1408	1613	1545	1799	2034
WSC4233*	605	756	887	989	1130	989	1130	1194	1367	1194	1367	1252	1309	1367	1476	1511	1732	1659	1933	2212
WSC4533*	628	785	926	1036	1186	1036	1186	1262	1445	1262	1445	1323	1384	1445	1560	1616	1852	1774	2067	2391
WSC4833*	651	814	965	1084	1240	1084	1240	1330	1523	1330	1523	1394	1459	1523	1643	1720	1972	1888	2201	2569
WALL SQUARE CORNER (1-DR) – 36" H																				
WSC2436*	440	550	609	651	743	651	743	738	843	738	843	773	807	843	911	868	992	951	1106	1162
WSC2736*	464	580	648	700	799	700	799	809	924	809	924	848	885	924	999	979	1119	1072	1247	1350
WSC3036*	487	609	689	751	858	751	858	880	1006	880	1006	923	963	1006	1087	1087	1243	1192	1387	1540
WSC3336*	511	639	728	801	914	801	914	951	1087	951	1087	997	1043	1087	1175	1196	1369	1311	1526	1728
WSC3636*	534	668	767	851	974	851	974	1023	1170	1023	1170	1072	1121	1170	1265	1306	1496	1433	1669	1916
WALL SQUARE CORNER (2-DR) – 36" H																				
WSC3936*	605	756	884	979	1119	979	1119	1175	1345	1175	1345	1231	1289	1345	1453	1477	1693	1621	1889	2142
WSC4236*	628	785	923	1029	1177	1029	1177	1247	1428	1247	1428	1308	1367	1428	1543	1586	1818	1740	2028	2332
WSC4536*	653	816	963	1080	1236	1080	1236	1319	1511	1319	1511	1384	1447	1511	1633	1696	1944	1862	2171	2520
WSC4836*	677	846	1004	1130	1292	1130	1292	1391	1593	1391	1593	1459	1526	1593	1721	1806	2071	1983	2312	2710

Wall Cabinets

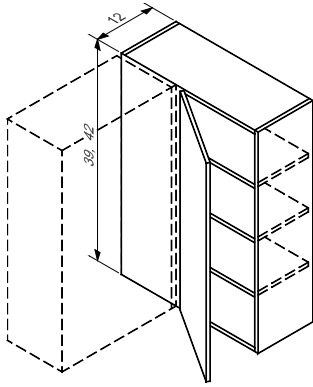
* L or R required

WALL SQUARE CORNER – 39" & 42" H

• Three adjustable shelves

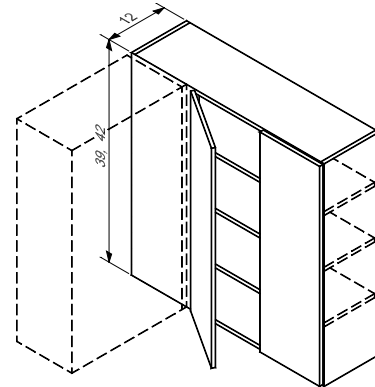
MODIFICATION LIMITS

Width No width mods
 Height 36-1/4" – 48"
 Depth 6" – 24"



WSC1DR

39" H	42" H
WSC2439*	WSC2442*
WSC2739*	WSC2742*
WSC3039*	WSC3042*
WSC3339*	WSC3342*
WSC3639*	WSC3642*



WSC2DR

39" H	42" H
WSC3939*	WSC3942*
WSC4239*	WSC4242*
WSC4539*	WSC4542*
WSC4839*	WSC4842*

	M0	M1	M2	M3	M3A	M4	M4A	M5	M5A	M6	M6A	M7	M8	M9	M10	M11	M11A	M13	M15	M16	
WALL SQUARE CORNER (1-DR) – 39" H																					
WSC2439*	466	582	644	690	789	690	789	784	895	784	895	821	858	895	968	928	1060	1016	1182	1248	
WSC2739*	491	614	687	743	848	743	848	860	984	860	984	902	941	984	1062	1046	1197	1146	1333	1452	
WSC3039*	515	644	729	797	911	797	911	936	1070	936	1070	982	1026	1070	1157	1163	1331	1275	1484	1655	
WSC3339*	540	675	770	850	970	850	970	1013	1158	1013	1158	1062	1111	1158	1250	1280	1465	1404	1635	1859	
WSC3639*	566	707	812	902	1033	902	1033	1089	1245	1089	1245	1141	1194	1245	1345	1398	1601	1533	1788	2062	
WALL SQUARE CORNER (2-DR) – 39" H																					
WSC3939*	643	804	940	1041	1192	1041	1192	1255	1437	1255	1437	1314	1375	1437	1550	1586	1816	1740	2028	2312	
WSC4239*	667	834	980	1096	1253	1096	1253	1331	1525	1331	1525	1396	1460	1525	1645	1703	1952	1869	2178	2515	
WSC4539*	694	867	1023	1150	1316	1150	1316	1408	1613	1408	1613	1477	1545	1613	1742	1822	2088	2000	2332	2719	
WSC4839*	718	897	1065	1202	1375	1202	1375	1484	1701	1484	1701	1557	1630	1701	1837	1939	2223	2128	2483	2924	
WALL SQUARE CORNER (1-DR) – 42" H																					
WSC2442*	491	614	678	729	833	729	833	829	948	829	948	868	907	948	1024	985	1126	1080	1257	1333	
WSC2742*	517	646	724	785	897	785	897	911	1041	911	1041	955	997	1041	1126	1113	1274	1219	1420	1552	
WSC3042*	542	678	768	841	962	841	962	992	1135	992	1135	1040	1087	1135	1226	1238	1418	1358	1581	1771	
WSC3342*	569	711	812	897	1026	897	1026	1074	1228	1074	1228	1124	1177	1228	1326	1364	1562	1496	1743	1989	
WSC3642*	596	745	856	953	1091	953	1091	1153	1319	1153	1319	1209	1265	1319	1426	1489	1706	1633	1905	2208	
WALL SQUARE CORNER (2-DR) – 42" H																					
WSC3942*	680	850	994	1104	1264	1104	1264	1333	1526	1333	1526	1398	1462	1526	1649	1693	1940	1857	2166	2480	
WSC4242*	707	884	1038	1160	1328	1160	1328	1414	1620	1414	1620	1482	1552	1620	1750	1818	2084	1996	2327	2698	
WSC4542*	733	916	1082	1218	1394	1218	1394	1496	1715	1496	1715	1569	1642	1715	1852	1945	2230	2135	2491	2917	
WSC4842*	758	948	1126	1274	1459	1274	1459	1577	1808	1577	1808	1654	1732	1808	1954	2071	2374	2274	2653	3136	

Wall Cabinets

* L or R required

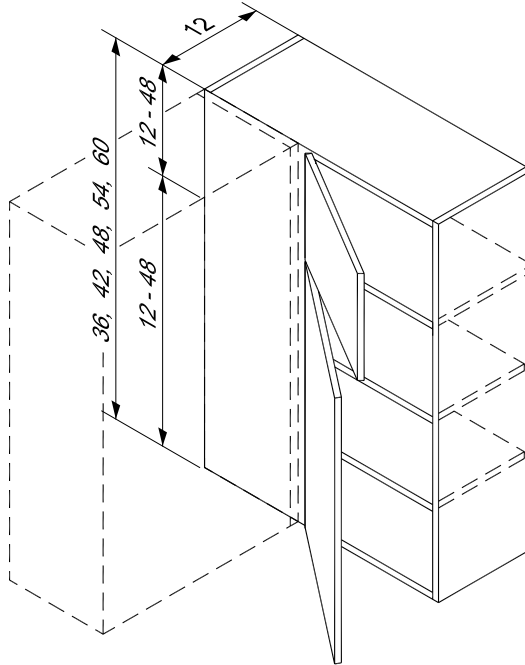
WALL SQUARE CORNER STACKED DOORS

MODIFICATION LIMITS

Width	No Width Mods
Height	24" – 66"
Depth	6" – 24"

Upper or Lower Section Height	Qty of Adj. Shelves
12" – 18"	0
18-1/4" – 27"	1
27-1/4" – 36"	2
36-1/4" – 48"	3

- 3/4" fixed shelf is between upper and lower doors
- Doors will overlay 3/4" fixed mid-shelf 5/16" resulting in a 1/8" reveal between stacked doors
- See chart/diagram on pg W-25 for specifications
- Right or Left determined by specifying which side is voided/hinged
- Location & height of door on lower section will be same as door on cabinet of same height without stacked doors
- Height of door on upper section will be 1/8" taller than doors on cabinet of same height without stacked doors



WSSC2DR			WSSC2DR		
36" H	39" H	42" H	48" H	54" H	60" H
WSSC2436*	WSSC2439*	WSSC2442*	WSSC2448*	WSSC2454*	WSSC2460*
WSSC2736*	WSSC2739*	WSSC2742*	WSSC2748*	WSSC2754*	WSSC2760*
WSSC3036*	WSSC3039*	WSSC3042*	WSSC3048*	WSSC3054*	WSSC3060*
WSSC3336*	WSSC3339*	WSSC3342*	WSSC3348*	WSSC3354*	WSSC3360*
WSSC3636*	WSSC3639*	WSSC3642*	WSSC3648*	WSSC3654*	WSSC3660*

HOW TO ORDER					
Configuration	W	H		Lower Section H	*Void & Swing
WSSC	30	48	-	<u>30</u>	L

- Use chart to determine overall cabinet height by combining upper and lower section heights
- **Bold** heights are standard
- Light grey heights require height modification

		HEIGHT OF UPPER SECTION												
		12	15	18	21	24	27	30	33	36	39	42	45	48
HEIGHT OF LOWER SECTION	12	24	27	30	33	36	39	42	45	48	51	54	57	60
	15	27	30	33	36	39	42	45	48	51	54	57	60	63
	18	30	33	36	39	42	45	48	51	54	57	60	63	66
	21	33	36	39	42	45	48	51	54	57	60	63	66	
	24	36	39	42	45	48	51	54	57	60	63	66		
	27	39	42	45	48	51	54	57	60	63	66			
	30	42	45	48	51	54	57	60	63	66				
	33	45	48	51	54	57	60	63	66					
	36	48	51	54	57	60	63	66						
	39	51	54	57	60	63	66							
42	54	57	60	63	66									
45	57	60	63	66										
48	60	63	66											

Wall Cabinets

* L or R required

	M0	M1	M2	M3	M3A	M4	M4A	M5	M5A	M6	M6A	M7	M8	M9	M10	M11	M11A	M13	M15	M16
SQ. CORNER (2-DR) STACK – 36" H																				
WSSC2436-__*	938	1172	1253	1301	1426	1301	1426	1403	1542	1403	1542	1450	1498	1542	1637	1521	1681	1626	1823	1823
WSSC2736-__*	975	1219	1311	1365	1501	1365	1501	1491	1643	1491	1643	1542	1593	1643	1745	1650	1827	1769	1989	2040
WSSC3036-__*	1008	1260	1358	1430	1576	1430	1576	1579	1745	1579	1745	1633	1691	1745	1857	1782	1979	1915	2159	2261
WSSC3336-__*	1041	1301	1416	1498	1654	1498	1654	1664	1844	1664	1844	1725	1782	1844	1962	1918	2135	2064	2335	2474
WSSC3636-__*	1076	1345	1474	1562	1725	1562	1725	1752	1945	1752	1945	1816	1881	1945	2071	2047	2285	2206	2502	2692
SQ. CORNER (2-DR) STACK – 39" or 42" H																				
WSSC24__-__*	981	1226	1314	1369	1504	1369	1504	1484	1637	1484	1637	1535	1586	1637	1738	1630	1805	1747	1964	1984
WSSC27__-__*	1020	1275	1375	1440	1586	1440	1586	1582	1749	1582	1749	1638	1694	1749	1859	1776	1971	1906	2151	2232
WSSC30__-__*	1055	1319	1430	1511	1669	1511	1669	1681	1862	1681	1862	1740	1803	1862	1983	1923	2142	2069	2340	2481
WSSC33__-__*	1091	1364	1491	1584	1752	1584	1752	1776	1972	1776	1972	1842	1906	1972	2101	2074	2315	2235	2536	2725
WSSC36__-__*	1129	1411	1552	1655	1833	1655	1833	1874	2086	1874	2086	1945	2015	2086	2223	2220	2483	2396	2724	2973
__-__ Specify overall height & lower section height																				
SQ. CORNER (2-DR) STACK – 48" H																				
WSSC2448-__*	1024	1280	1375	1437	1582	1437	1582	1565	1730	1565	1730	1621	1676	1730	1840	1738	1930	1866	2103	2145
WSSC2748-__*	1065	1331	1440	1515	1672	1515	1672	1674	1855	1674	1855	1735	1794	1855	1974	1901	2117	2045	2313	2424
WSSC3048-__*	1103	1379	1501	1593	1762	1593	1762	1782	1979	1782	1979	1847	1915	1979	2110	2064	2303	2223	2522	2702
WSSC3348-__*	1141	1426	1565	1671	1852	1671	1852	1888	2101	1888	2101	1959	2030	2101	2240	2230	2495	2407	2737	2976
WSSC3648-__*	1182	1477	1630	1749	1940	1749	1940	1996	2225	1996	2225	2073	2149	2225	2374	2393	2683	2586	2946	3255
SQ. CORNER (2-DR) STACK – 54" H																				
WSSC2454-__*	1061	1326	1426	1492	1647	1492	1647	1630	1805	1630	1805	1689	1747	1805	1920	1820	2023	1955	2208	2264
WSSC2754-__*	1105	1381	1494	1574	1740	1574	1740	1745	1937	1745	1937	1810	1872	1937	2062	1994	2223	2147	2432	2561
WSSC3054-__*	1144	1430	1559	1657	1837	1657	1837	1861	2069	1861	2069	1930	2000	2069	2206	2169	2424	2340	2658	2861
WSSC3354-__*	1185	1481	1626	1740	1932	1740	1932	1974	2200	1974	2200	2050	2125	2200	2347	2346	2627	2534	2885	3156
WSSC3654-__*	1225	1531	1694	1823	2027	1823	2027	2089	2334	2089	2334	2171	2252	2334	2491	2520	2829	2727	3110	3453
SQ. CORNER (2-DR) STACK – 60" H																				
WSSC2460-__*	1113	1391	1496	1570	1737	1570	1737	1721	1910	1721	1910	1784	1847	1910	2034	1937	2157	2084	2359	2435
WSSC2760-__*	1158	1447	1570	1659	1838	1659	1838	1847	2054	1847	2054	1916	1984	2054	2190	2128	2378	2295	2605	2763
WSSC3060-__*	1199	1499	1638	1747	1940	1747	1940	1972	2198	1972	2198	2047	2123	2198	2346	2320	2598	2507	2851	3092
WSSC3360-__*	1242	1552	1711	1837	2044	1837	2044	2096	2340	2096	2340	2178	2259	2340	2498	2513	2820	2719	3102	3417
WSSC3660-__*	1286	1608	1784	1925	2144	1925	2144	2220	2483	2220	2483	2308	2396	2483	2653	2703	3039	2927	3346	3745

"__" Specify height of lower section

Wall Cabinets

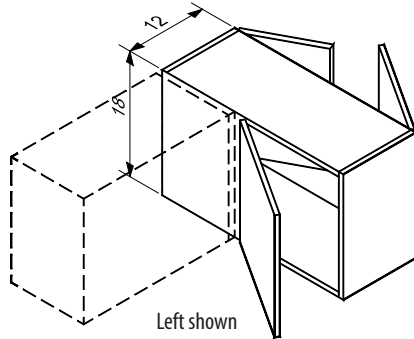
* L or R required

WALL SQUARE CORNER DOUBLE-ENTRY – 18" H

MODIFICATION LIMITS

Width No width mods
 Height 12" – 18"
 Depth 9" – 24"

- No adjustable shelves
- See chart/diagram on pg W-25 for specifications
- Right or Left determined by specifying which side is voided
- Blind area not finished



WSCDE2DR
 18" H
 WSCDE2418*

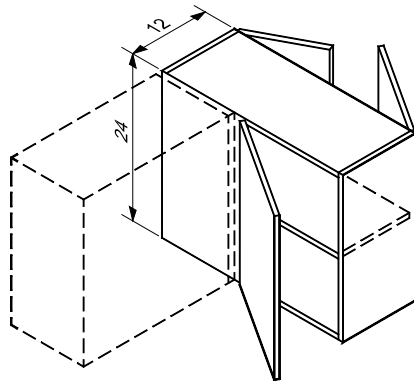
WSCDE3DR
 18" H
 WSCDE2418DD*
 WSCDE2718*
 WSCDE3018*
 WSCDE3318*
 WSCDE3618*

WALL SQUARE CORNER DOUBLE-ENTRY – 24" H

MODIFICATION LIMITS

Width No width mods
 Height 18-1/4" – 27"
 Depth 9" – 24"

- One adjustable shelf



WSCDE2DR
 24" H
 WSCDE2424*

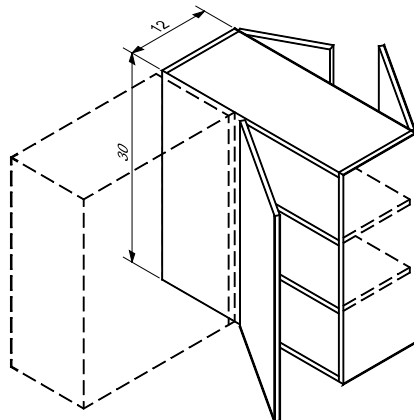
WSCDE3DR
 24" H
 WSCDE2424DD*
 WSCDE2724*
 WSCDE3024*
 WSCDE3324*
 WSCDE3624*

WALL SQUARE CORNER DOUBLE-ENTRY – 30" H

MODIFICATION LIMITS

Width No width mods
 Height 27-1/4" – 36"
 Depth 9" – 24"

- Two adjustable shelves



WSCDE2DR
 30" H
 WSCDE2430*

WSCDE3DR
 30" H
 WSCDE2430DD*
 WSCDE2730*
 WSCDE3030*
 WSCDE3330*
 WSCDE3630*

Wall Cabinets

* L or R required

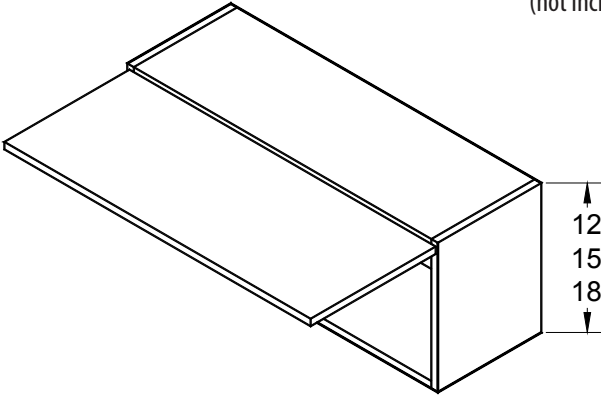
	M0	M1	M2	M3	M3A	M4	M4A	M5	M5A	M6	M6A	M7	M8	M9	M10	M11	M11A	M13	M15	M16
SQ. CORNER DBL-ENTRY (2-DR) – 18" H																				
WSCDE2418*	475	594	699	768	877	768	877	912	1043	912	1043	957	999	1043	1128	1119	1280	1228	1428	1589
SQ. CORNER DBL-ENTRY (3-DR) – 18" H																				
WSCDE2418DD*	517	646	765	841	962	841	962	1001	1143	1001	1143	1048	1096	1143	1235	1216	1392	1333	1554	1718
WSCDE2718*	559	699	831	914	1045	914	1045	1087	1243	1087	1243	1140	1192	1243	1343	1313	1503	1440	1677	1847
WSCDE3018*	581	726	870	963	1101	963	1101	1160	1328	1160	1328	1216	1272	1328	1435	1430	1638	1569	1828	2049
WSCDE3318*	604	755	909	1016	1162	1016	1162	1235	1413	1235	1413	1294	1353	1413	1526	1545	1771	1696	1976	2252
WSCDE3618*	662	828	985	1116	1277	1116	1277	1384	1586	1384	1586	1452	1518	1586	1713	1810	2074	1986	2317	2736
SQ. CORNER DBL-ENTRY (2-DR) – 24" H																				
WSCDE2424*	532	665	789	880	1006	880	1006	1067	1221	1067	1221	1118	1169	1221	1319	1352	1548	1482	1728	1983
SQ. CORNER DBL-ENTRY (3-DR) – 24" H																				
WSCDE2424DD*	575	719	860	960	1097	960	1097	1163	1331	1163	1331	1219	1275	1331	1438	1465	1677	1606	1872	2140
WSCDE2724*	618	773	929	1038	1187	1038	1187	1260	1443	1260	1443	1321	1382	1443	1560	1577	1808	1732	2018	2298
WSCDE3024*	645	806	977	1099	1257	1099	1257	1352	1548	1352	1548	1418	1482	1548	1674	1725	1978	1893	2208	2559
WSCDE3324*	672	840	1024	1162	1330	1162	1330	1445	1655	1445	1655	1515	1586	1655	1789	1872	2147	2056	2398	2820
WSCDE3624*	726	907	1106	1258	1442	1258	1442	1572	1801	1572	1801	1649	1725	1801	1945	2056	2357	2257	2634	3117
SQ. CORNER DBL-ENTRY (2-DR) – 30" H																				
WSCDE2430*	589	736	879	992	1135	992	1135	1221	1398	1221	1398	1280	1340	1398	1509	1584	1815	1738	2027	2376
SQ. CORNER DBL-ENTRY (3-DR) – 30" H																				
WSCDE2430DD*	634	792	953	1077	1233	1077	1233	1328	1520	1328	1520	1391	1455	1520	1642	1713	1964	1881	2193	2563
WSCDE2730*	678	848	1028	1162	1330	1162	1330	1433	1642	1433	1642	1503	1572	1642	1774	1842	2112	2022	2359	2749
WSCDE3030*	708	885	1084	1235	1413	1235	1413	1543	1769	1543	1769	1618	1694	1769	1911	2020	2317	2218	2588	3070
WSCDE3330*	739	924	1140	1308	1498	1308	1498	1655	1898	1655	1898	1737	1816	1898	2050	2200	2524	2415	2819	3389
WSCDE3630*	790	987	1226	1401	1604	1401	1604	1760	2018	1760	2018	1847	1932	2018	2181	2301	2641	2527	2949	3499

Wall Cabinets

WALL CABINET W/ LIDSTAY – 12", 15" & 18" H

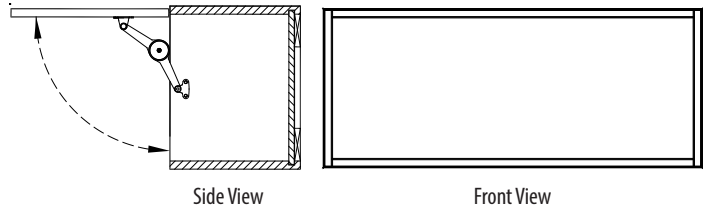
MODIFICATION LIMITS

Width 24-1/4" – 36"
 Height * 10" – 18"
 Depth 6" – 24"



- Single hinged-top, full-width door and two lidstays
- Lidstay mechanism has friction brake that can be adjusted with an allen wrench
- Door opens to 90° with 1/8" clearance between face of door and top of cabinet (not including decorative hardware)

- Refer to door style page in General Section to determine if door has double horizontal panel
- Use HINGETOP-LS option on standard side-hinged cabinets less than 24-1/4" W
- * ILV modification: Min. height limit is 10-3/4"



W1DRLS		
12"H	15" H	18" H
W2712LS	W2715LS	W2718LS
W3012LS	W3015LS	W3018LS
W3312LS	W3315LS	W3318LS
W3612LS	W3615LS	W3618LS

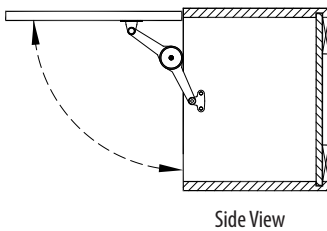
HINGETOP - LIDSTAY OPTION

MODIFICATION LIMITS

Width 15" – 42"
 Height * 10" – 18"
 Depth 6" – 24"
 * Height of door section

- Available on upper section of Wall, Tall and Entertainment cabinets
- Replaces standard side-hinged door with hinged-top door and one lidstay
- Does not change number of doors
- Lidstay mechanism has friction brake that can be adjusted with an allen wrench
- Door opens to 90° with 1/8" clearance between face of door and top of cabinet (not including decorative hardware)

- With some door style and size combinations, factory may opt to install lidstays on both sides at no additional charge
- If combining with ILV modification the Min. cabinet height limit is 10-3/4"



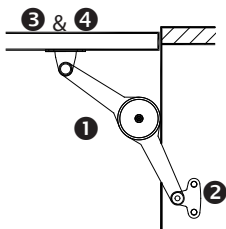
HINGETOP-LSL (Lift Mechanism on Left)
 HINGETOP-LSR (Lift Mechanism on Right)

Wall Cabinets

	M0	M1	M2	M3	M3A	M4	M4A	M5	M5A	M6	M6A	M7	M8	M9	M10	M11	M11A	M13	M15	M16	
WALL W/ LIDSTAY – 12" H						No vertical center divider, no adjustable shelf, 2 hinges, 2 lidstays															
W2712LS	614	767	833	867	926	867	926	934	1004	934	1004	958	980	1004	1052	1001	1080	1053	1153	1180	
W3012LS	622	777	846	884	945	884	945	958	1031	958	1031	982	1007	1031	1080	1038	1123	1094	1201	1243	
W3312LS	632	790	863	904	968	904	968	985	1062	985	1062	1011	1036	1062	1113	1077	1169	1138	1250	1308	
W3612LS	643	804	880	924	992	924	992	1013	1094	1013	1094	1040	1067	1094	1148	1116	1213	1180	1301	1372	
WALL W/ LIDSTAY – 15" H						No vertical center divider, no adjustable shelf, 2 hinges, 2 lidstays															
W2715LS	618	773	841	879	940	879	940	958	1031	958	1031	982	1007	1031	1080	1050	1136	1107	1216	1277	
W3015LS	635	794	868	911	977	911	977	997	1077	997	1077	1024	1050	1077	1130	1099	1194	1162	1279	1348	
W3315LS	646	807	885	933	1002	933	1002	1028	1111	1028	1111	1055	1084	1111	1167	1143	1243	1211	1336	1423	
W3615LS	657	821	904	955	1028	955	1028	1058	1146	1058	1146	1087	1118	1146	1204	1187	1294	1258	1392	1498	
WALL W/ LIDSTAY – 18" H						No vertical center divider, no adjustable shelf, 2 hinges, 2 lidstays															
W2718LS	641	801	879	926	994	926	994	1021	1104	1021	1104	1048	1075	1104	1158	1136	1236	1202	1328	1416	
W3018LS	653	816	899	951	1023	951	1023	1055	1143	1055	1143	1084	1113	1143	1201	1189	1296	1260	1394	1506	
W3318LS	665	831	919	977	1053	977	1053	1091	1184	1091	1184	1121	1153	1184	1245	1241	1357	1318	1462	1596	
W3618LS	678	848	941	1002	1082	1002	1082	1126	1225	1126	1225	1158	1192	1225	1289	1294	1418	1377	1530	1684	

HINGETOP - LS OPTION	MSRP
HINGETOP-LSL (Left)	348 per door
HINGETOP-LSR (Right)	348 per door

LIDSTAY - LOOSE PARTS	MSRP	DESCRIPTION	DOOR TYPE USE
① DUOARM	81 ea	Lidstay Arm – Short	All applications
② DUOBRKT-C	10 ea	Lidstay Cabinet Bracket	All applications
③ DUOBRKT-DS	5 ea	Lidstay Door Bracket Standard	All Except A01 Aluminum Frame Door
④ DUOBRKT-DA	3 ea	Lidstay Door Bracket Aluminum A01	A01 Aluminum Frame Door



Wall Cabinets

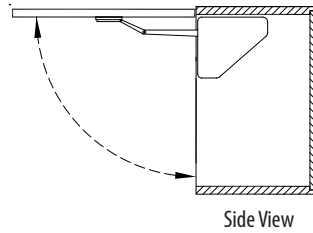
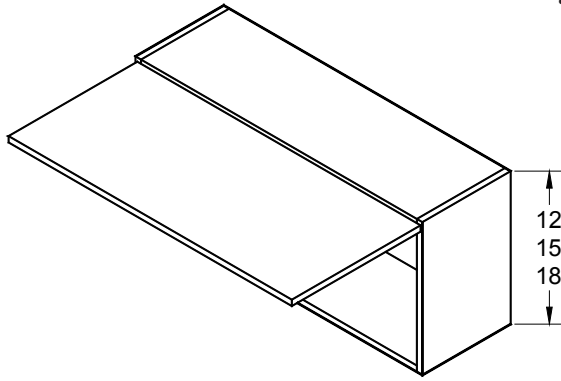
* L or R required

WALL CABINET W/ VERTICAL LIFT – 12", 15" & 18" H

MODIFICATION LIMITS

Width 24-1/4" – 48"
 Height * 12" – 18" (2 piston lifts when >15" – 18" H)
 Depth 9" – 24"

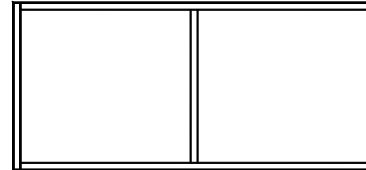
- Single hinged-top, full-width door and one or two piston lifts
- Specify L or R when one lift
- Pistons assist upward motion to 90° open position with 1/8" clearance between face of door and top of cabinet (not including decorative hardware)
- Downward motion has inMotion soft-close feature
- Cabinets wider than 36" have 8" deep vertical center divider
- Refer to door style pages in General Section to determine if door has double horizontal panel
- Use HINGETOP-VL option on standard side-hinged cabinets less than 24-1/4" W
- Copenhagen door: Max. width is 36"
- * ILV modification: Not available on 12"H



Side View



Front View



Front View (8" deep, ctr. verticle divider)

W1DRVL

12" H	15" H	18" H
W2712VL*	W2715VL*	W2718VL
W3012VL*	W3015VL*	W3018VL
W3312VL*	W3315VL*	W3318VL
W3612VL*	W3615VL*	W3618VL

W1DRVL

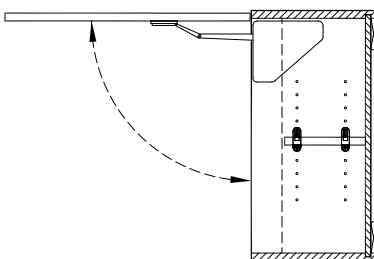
12" H	15" H	18" H
W3912VL	W3915VL	W3918VL
W4212VL	W4215VL	W4218VL
W4512VL	W4515VL	W4518VL
W4812VL	W4815VL	W4818VL

HINGETOP W/ VERTICAL LIFT OPTION

MODIFICATION LIMITS

Width 15" – 42"
 Height * 12" – 24"
 Depth 9" – 24"
 * Height of door section

- Available on upper section of Wall, Tall and Entertainment cabinets
- Replaces standard side-hinged door with hinged-top door and one piston lift
- Does not change number of doors
- Pistons assist upward motion to 90° open position with 1/8" clearance between face of door and top of cabinet (not including decorative hardware)
- Downward motion has inMotion soft-close feature
- * ILV modification: not available on 12"H or less



Side View

HINGETOP-VLL (Lift Mechanism on Left)
 HINGETOP-VLR (Lift Mechanism on Right)

Wall Cabinets

* L or R required

	M0	M1	M2	M3	M3A	M4	M4A	M5	M5A	M6	M6A	M7	M8	M9	M10	M11	M11A	M13	M15	M16	
WALL VERTICAL LIFT – 12" H						No vertical center divider, no adjustable shelf, 2 hinges, 1 piston lift, *specify lift placement L or R															
W2712VL*	645	806	872	906	965	906	965	974	1043	974	1043	997	1019	1043	1091	1040	1119	1092	1192	1219	
W3012VL*	653	816	885	923	984	923	984	997	1070	997	1070	1021	1046	1070	1119	1077	1162	1133	1240	1282	
W3312VL*	663	829	902	943	1007	943	1007	1024	1101	1024	1101	1050	1075	1101	1152	1116	1208	1177	1289	1347	
W3612VL*	674	843	919	963	1031	963	1031	1052	1133	1052	1133	1079	1106	1133	1187	1155	1252	1219	1340	1411	
8" D centered vertical divider, no adjustable shelf, 3 hinges, 2 piston lifts																					
W3912VL	1024	1280	1358	1406	1477	1406	1477	1501	1586	1501	1586	1530	1557	1586	1642	1618	1720	1686	1815	1900	
W4212VL	1037	1296	1375	1426	1501	1426	1501	1528	1618	1528	1618	1559	1587	1618	1677	1655	1764	1728	1862	1957	
W4512VL	1049	1311	1392	1447	1525	1447	1525	1555	1649	1555	1649	1587	1616	1649	1711	1694	1808	1771	1911	2018	
W4812VL	1060	1325	1408	1465	1547	1465	1547	1581	1681	1581	1681	1615	1647	1681	1745	1732	1852	1813	1961	2078	
WALL VERTICAL LIFT – 15" H																					
						No vertical center divider, no adjustable shelf, 2 hinges, 1 piston lift, *specify lift placement L or R															
W2715VL*	650	812	880	918	979	918	979	997	1070	997	1070	1021	1046	1070	1119	1089	1175	1146	1255	1316	
W3015VL*	666	833	907	950	1016	950	1016	1036	1116	1036	1116	1063	1089	1116	1169	1138	1233	1201	1318	1387	
W3315VL*	677	846	924	972	1041	972	1041	1067	1150	1067	1150	1094	1123	1150	1206	1182	1282	1250	1375	1462	
W3615VL*	688	860	943	994	1067	994	1067	1097	1186	1097	1186	1126	1157	1186	1243	1226	1333	1297	1431	1537	
8" D centered vertical divider, no adjustable shelf, 3 hinges, 2 piston lifts																					
W3915VL	1039	1299	1386	1440	1516	1440	1516	1550	1642	1550	1642	1581	1611	1642	1703	1694	1808	1771	1913	2034	
W4215VL	1057	1321	1413	1470	1550	1470	1550	1594	1693	1594	1693	1626	1660	1693	1757	1743	1866	1825	1976	2105	
W4515VL	1072	1340	1437	1498	1581	1498	1581	1632	1735	1632	1735	1665	1701	1735	1803	1791	1920	1877	2037	2178	
W4815VL	1088	1360	1460	1525	1611	1525	1611	1671	1781	1671	1781	1706	1745	1781	1852	1838	1976	1930	2098	2249	
WALL VERTICAL LIFT – 18" H																					
						No vertical center divider, no adjustable shelf, 2 hinges, 2 piston lifts															
W2718VL	963	1204	1282	1330	1398	1330	1398	1425	1508	1425	1508	1452	1479	1508	1562	1540	1640	1606	1732	1820	
W3018VL	975	1219	1303	1355	1426	1355	1426	1459	1547	1459	1547	1487	1516	1547	1604	1593	1699	1664	1798	1910	
W3318VL	988	1235	1323	1381	1457	1381	1457	1494	1587	1494	1587	1525	1557	1587	1649	1645	1760	1721	1866	2000	
W3618VL	1002	1252	1345	1406	1486	1406	1486	1530	1628	1530	1628	1562	1596	1628	1693	1698	1822	1781	1933	2088	
8" D centered vertical divider, no adjustable shelf, 3 hinges, 2 piston lifts																					
W3918VL	1061	1326	1425	1489	1572	1489	1572	1623	1727	1623	1727	1657	1693	1727	1794	1810	1940	1898	2061	2237	
W4218VL	1074	1343	1445	1515	1601	1515	1601	1659	1767	1659	1767	1694	1732	1767	1838	1864	2003	1957	2130	2327	
W4518VL	1088	1360	1465	1540	1630	1540	1630	1694	1808	1694	1808	1732	1771	1808	1883	1918	2064	2017	2200	2417	
W4818VL	1100	1375	1486	1564	1657	1564	1657	1728	1847	1728	1847	1767	1808	1847	1925	1971	2127	2074	2268	2507	

HINGETOP - VL OPTION	MSRP
HINGETOP-VLL (Left)	424 per door
HINGETOP-VLR (Right)	424 per door

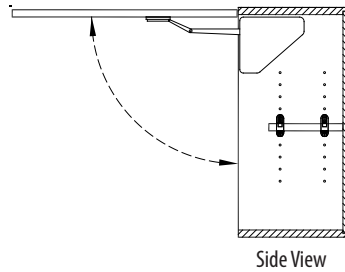
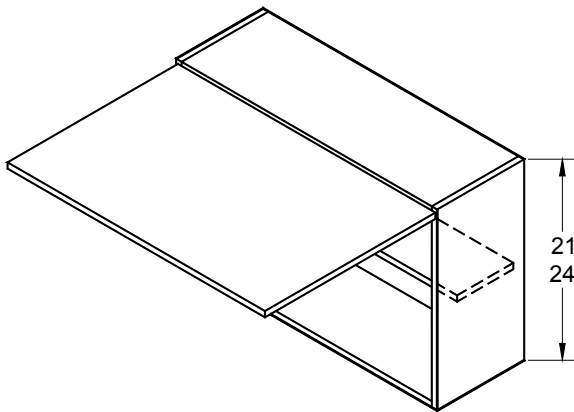
Wall Cabinets

WALL CABINET W/ VERTICAL LIFT – 21" & 24" H

MODIFICATION LIMITS

Width 24-1/4" – 48"
 Height 18-1/4" – 24"
 Depth 9" – 24"

- Single hinged-top, full-width doors and two piston lifts
- Pistons assist upward motion to 90° open position with 1/8" clearance between face of door and top of cabinet (not including decorative hardware)
- Downward motion has inMotion soft-close feature
- Cabinets 24" to 36"W have one 7-3/4" deep adjustable shelf
- Cabinets wider than 36" have an 8" deep vertical center divider and two 7-3/4" deep adjustable shelves
- Refer to door style pages in General Section to determine if door has double horizontal panel
- Use HINGETOP-VL option on standard side-hinged cabinets less than 24-1/4" W
- Copenhagen door: Max. width is 36"

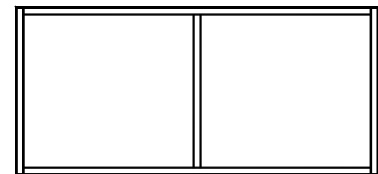
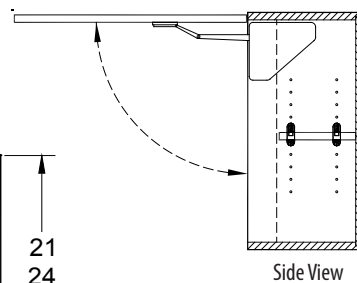
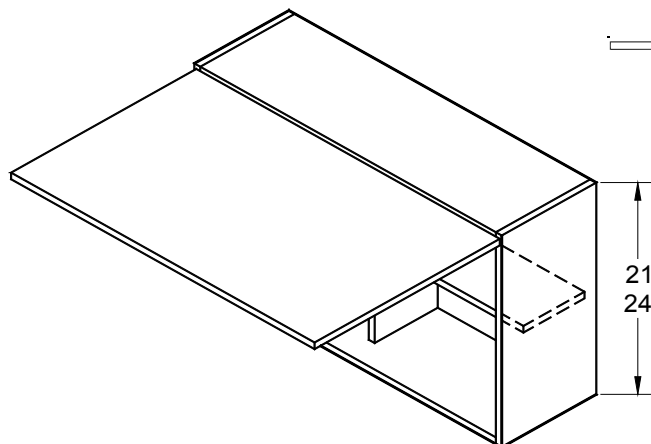


Side View

Front View

W1DRVL

21" H	24" H
W2721VL	W2724VL
W3021VL	W3024VL
W3321VL	W3324VL
W3621VL	W3624VL



Side View

Front View (8" deep, ctr. verticle divider)

W1DRVL

21" H	24" H
W3921VL	W3924VL
W4221VL	W4224VL
W4521VL	W4524VL
W4821VL	W4824VL

Wall Cabinets

	M0	M1	M2	M3	M3A	M4	M4A	M5	M5A	M6	M6A	M7	M8	M9	M10	M11	M11A	M13	M15	M16	
WALL VERTICAL LIFT – 21" H						No vertical center divider, 1 reduced depth adjustable shelf, 2 hinges, 2 piston lifts															
W2721VL	990	1238	1328	1387	1464	1387	1464	1506	1601	1506	1601	1538	1569	1601	1664	1665	1784	1745	1893	2037	
W3021VL	1006	1257	1353	1418	1499	1418	1499	1548	1650	1548	1650	1582	1616	1650	1716	1732	1859	1816	1976	2149	
W3321VL	1020	1275	1377	1448	1535	1448	1535	1593	1699	1593	1699	1628	1664	1699	1769	1798	1935	1889	2061	2262	
W3621VL	1037	1296	1404	1481	1570	1481	1570	1637	1750	1637	1750	1674	1711	1750	1825	1864	2011	1962	2147	2374	
8" D centered vertical divider, 2 reduced depth adjustable shelves (1 per side), 3 hinges, 2 piston lifts																					
W3921VL	1099	1374	1487	1570	1665	1570	1665	1738	1859	1738	1859	1779	1818	1859	1937	1988	2145	2093	2290	2547	
W4221VL	1114	1392	1513	1601	1699	1601	1699	1782	1908	1782	1908	1823	1866	1908	1989	2056	2223	2167	2376	2659	
W4521VL	1129	1411	1538	1632	1735	1632	1735	1827	1957	1827	1957	1869	1913	1957	2042	2122	2300	2240	2461	2773	
W4821VL	1144	1430	1562	1662	1769	1662	1769	1869	2006	1869	2006	1913	1961	2006	2095	2190	2378	2315	2547	2885	
WALL VERTICAL LIFT – 24" H																					
						No vertical center divider, 1 reduced depth adjustable shelf, 2 hinges, 2 piston lifts															
W2724VL	1018	1272	1374	1443	1528	1443	1528	1587	1694	1587	1694	1623	1659	1694	1764	1791	1928	1883	2054	2252	
W3024VL	1035	1294	1403	1481	1572	1481	1572	1638	1754	1638	1754	1677	1715	1754	1828	1869	2018	1969	2154	2388	
W3324VL	1053	1316	1431	1516	1613	1516	1613	1691	1813	1691	1813	1732	1772	1813	1893	1949	2110	2056	2257	2524	
W3624VL	1070	1338	1462	1554	1655	1554	1655	1742	1872	1742	1872	1786	1828	1872	1957	2028	2201	2144	2359	2661	
8" D centered vertical divider, 2 reduced depth adjustable shelves (1 per side), 3 hinges, 2 piston lifts																					
W3924VL	1136	1420	1550	1650	1757	1650	1757	1854	1991	1854	1991	1900	1945	1991	2079	2166	2351	2290	2519	2856	
W4224VL	1154	1442	1579	1686	1798	1686	1798	1905	2050	1905	2050	1954	2001	2050	2144	2246	2442	2376	2622	2992	
W4524VL	1171	1464	1608	1723	1840	1723	1840	1957	2110	1957	2110	2008	2059	2110	2208	2325	2534	2463	2724	3127	
W4824VL	1189	1486	1637	1759	1881	1759	1881	2008	2169	2008	2169	2062	2115	2169	2271	2403	2624	2549	2827	3263	

Wall Cabinets

WALL CAB w/VERTICAL BIFOLD – 24", 27" & 30" H

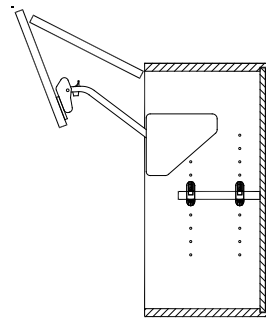
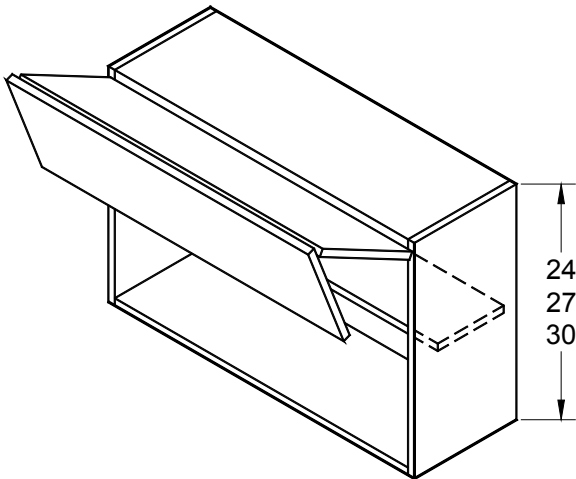
MODIFICATION LIMITS

Width 24" – 48"
 Height 24" – 30"
 Depth 9" – 24"

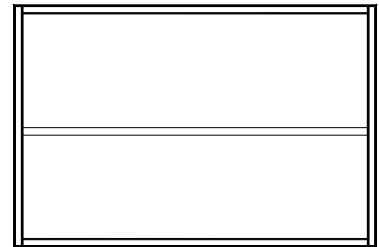
NOTE! Care must be taken when disengaging lift arm from door. It is under pressure, and may cause personal injury, or damage to door if not handled carefully.

- Two full-width doors are hinged together at rails and open vertically with two bifold piston lifts
- Downward motion has inMotion soft-close feature
- Fully raised doors extend above cabinet (approx.: 4" for 24" | 5" for 27" | 6" for 30" H cabinet)
- Allow proper clearance between cabinet and ceiling or other obstructions
- Cabinets 24" to 36"W have one 7-3/4"D adjustable shelf

- Cabinets wider than 36" have an 8" deep vertical center divider and two 7-3/4" D adjustable shelves
- Refer to door style page in General Section to determine if door has double horizontal panel
- Copenhagen door: Max. width is 36"
- Not available with A01 aluminum frame doors



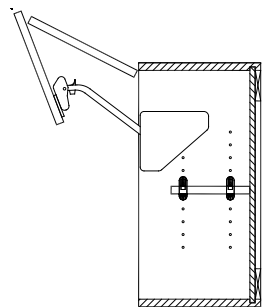
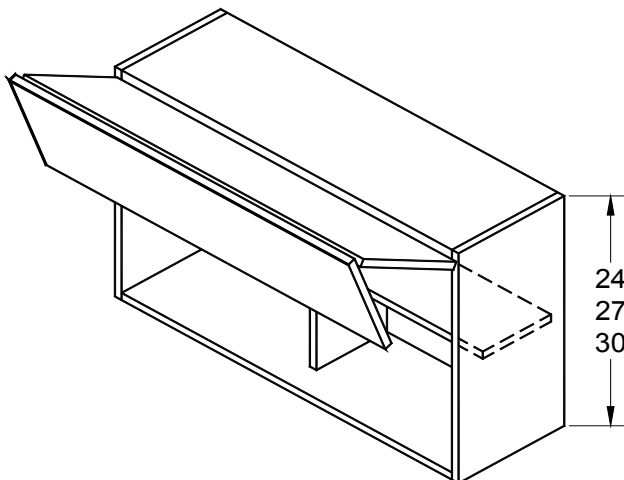
Side View



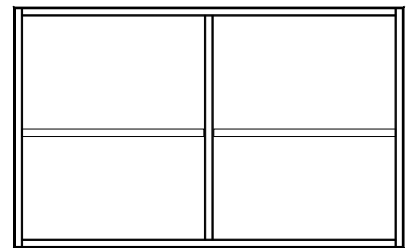
Front View

W1DRVB

24" H	27" H	30" H
W2724VB	W2727VB	W2730VB
W3024VB	W3027VB	W3030VB
W3324VB	W3327VB	W3330VB
W3624VB	W3627VB	W3630VB



Side View



Front View (8" deep, ctr. verticle divider)

W1DRVB

24" H	27" H	30" H
W3924VB	W3927VB	W3930VB
W4224VB	W4227VB	W4230VB
W4524VB	W4527VB	W4530VB
W4824VB	W4827VB	W4830VB

Wall Cabinets

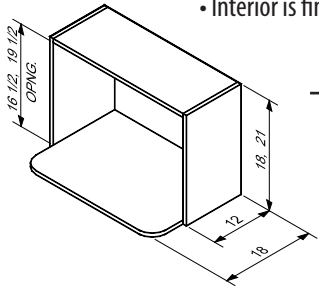
	M0	M1	M2	M3	M3A	M4	M4A	M5	M5A	M6	M6A	M7	M8	M9	M10	M11	M11A	M13	M15	M16	
WALL VERTICAL BIFOLD – 24" H						No vertical center divider, 1 adjustable shelf, 2 hinges, 2 bifold lifts															
W2724VB	1142	1428	1530	1599	1684	1599	1684	1743	1850	1743	1850	1779	1815	1850	1920	1947	2084	2039	2210	2408	
W3024VB	1160	1450	1559	1637	1728	1637	1728	1794	1910	1794	1910	1833	1871	1910	1984	2025	2174	2125	2310	2544	
W3324VB	1178	1472	1587	1672	1769	1672	1769	1847	1969	1847	1969	1888	1928	1969	2049	2105	2266	2212	2413	2680	
W3624VB	1195	1494	1618	1710	1811	1710	1811	1898	2028	1898	2028	1942	1984	2028	2113	2184	2357	2300	2515	2817	
8" D centered vertical divider, 2 adjustable shelves (1 per side), 3 hinges, 2 bifold lifts																					
W3924VB	1261	1576	1706	1806	1913	1806	1913	2010	2147	2010	2147	2056	2101	2147	2235	2322	2507	2446	2675	3012	
W4224VB	1278	1598	1735	1842	1954	1842	1954	2061	2206	2061	2206	2110	2157	2206	2300	2402	2598	2532	2778	3148	
W4524VB	1296	1620	1764	1879	1996	1879	1996	2113	2266	2113	2266	2164	2215	2266	2364	2481	2690	2619	2880	3283	
W4824VB	1314	1642	1793	1915	2037	1915	2037	2164	2325	2164	2325	2218	2271	2325	2427	2559	2780	2705	2983	3419	
WALL VERTICAL BIFOLD – 27" H																					
WALL VERTICAL BIFOLD – 27" H						No vertical center divider, 1 adjustable shelf, 2 hinges, 2 bifold lifts															
W2727VB	1167	1459	1567	1645	1737	1645	1737	1805	1920	1805	1920	1844	1883	1920	1994	2037	2188	2137	2325	2559	
W3027VB	1186	1482	1599	1686	1784	1686	1784	1862	1986	1862	1986	1903	1944	1986	2067	2125	2290	2235	2439	2712	
W3327VB	1206	1508	1632	1727	1830	1727	1830	1920	2054	1920	2054	1964	2008	2054	2140	2213	2391	2332	2552	2863	
W3627VB	1225	1531	1665	1767	1877	1767	1877	1978	2120	1978	2120	2025	2073	2120	2212	2303	2493	2429	2668	3015	
8" D centered vertical divider, 2 adjustable shelves (1 per side), 3 hinges, 2 bifold lifts																					
W3927VB	1293	1616	1757	1869	1984	1869	1984	2095	2246	2095	2246	2145	2195	2246	2342	2451	2654	2586	2841	3227	
W4227VB	1312	1640	1791	1910	2032	1910	2032	2152	2312	2152	2312	2205	2259	2312	2413	2539	2756	2683	2954	3380	
W4527VB	1332	1665	1825	1952	2079	1952	2079	2210	2378	2210	2378	2266	2324	2378	2485	2627	2858	2781	3068	3533	
W4827VB	1351	1689	1857	1993	2127	1993	2127	2268	2444	2268	2444	2325	2386	2444	2556	2715	2960	2878	3182	3685	
WALL VERTICAL BIFOLD – 30" H																					
WALL VERTICAL BIFOLD – 30" H						No vertical center divider, 1 adjustable shelf, 2 hinges, 2 bifold lifts															
W2730VB	1190	1487	1604	1689	1788	1689	1788	1866	1991	1866	1991	1908	1949	1991	2073	2127	2291	2237	2441	2709	
W3030VB	1212	1515	1640	1735	1840	1735	1840	1928	2062	1928	2062	1972	2018	2062	2149	2225	2405	2344	2568	2878	
W3330VB	1234	1542	1676	1779	1891	1779	1891	1993	2137	1993	2137	2040	2089	2137	2230	2322	2515	2451	2692	3046	
W3630VB	1255	1569	1713	1825	1944	1825	1944	2057	2212	2057	2212	2108	2161	2212	2310	2420	2629	2559	2819	3214	
8" D centered vertical divider, 2 adjustable shelves (1 per side), 3 hinges, 2 bifold lifts																					
W3930VB	1324	1655	1808	1930	2056	1930	2056	2179	2342	2179	2342	2234	2288	2342	2447	2578	2802	2727	3005	3441	
W4230VB	1346	1682	1845	1976	2108	1976	2108	2244	2417	2244	2417	2301	2359	2417	2527	2676	2914	2836	3131	3611	
W4530VB	1368	1710	1883	2022	2161	2022	2161	2308	2490	2308	2490	2369	2429	2490	2607	2775	3027	2944	3258	3780	
W4830VB	1390	1737	1918	2067	2213	2067	2213	2371	2564	2371	2564	2435	2500	2564	2685	2873	3139	3053	3384	3948	

Wall Cabinets

MICROWAVE SHELF

MODIFICATION LIMITS

Width 18" – 36"
 Height 12" – 36"
 Depth 9" – 24"



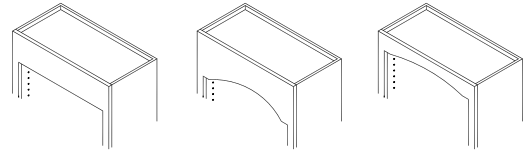
- Box: 3/4" thick, edge-taped material
- Fixed microwave shelf extends 6" beyond cabinet face
- Interior is finished (FMI)

- Ends, top and bottom are not finished
- Opening width: 1-1/2" less than cabinet width
- Opening heights: 18" H = 16-1/2" | 21" H = 19-1/2"

MS	
18" H	21" H
MS2418	MS2421
MS2718	MS2721
MS3018	MS3021

Optional Top Rail Valances

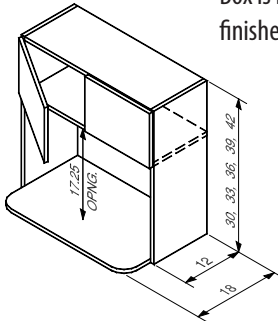
(See Modification section)



MICROWAVE SHELF CABINET

MODIFICATION LIMITS

Width 18" – 36"
 Height 30" – 48"
 Depth 9" – 24"



- Fixed microwave shelf extends 6" beyond cabinet face
- Opening width: 1-1/2" less than cabinet width
- Box is made of 3/4" thick, edge-taped material, finished to match door

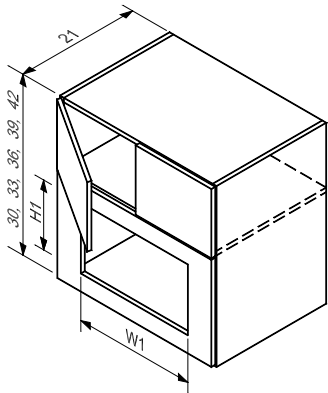
- Interior is finished (FMI)
- Ends, top and bottom are not finished
- Height modifications adjust upper section only
- Qty of adj. shelves in upper section depends on cabinet height: 30" – 36" = 0 | 36-1/4" – 48" = 1

MSC2DR				
30" H	33" H	36" H	39" H	42" H
MSC2430DD	MSC2433DD	MSC2436DD	MSC2439DD	MSC2442DD
MSC2730	MSC2733	MSC2736	MSC2739	MSC2742
MSC3030	MSC3033	MSC3036	MSC3039	MSC3042
12" Upper Section	15" Upper Section	18" Upper Section	21" Upper Section	24" Upper Section

MICROWAVE UNIVERSAL CABINET

MODIFICATION LIMITS

Width 24" – 36"
 Height 30" – 60"
 Depth 12" – 24"



- Height modifications adjust upper section only
- IFE Integral Finished Ends are standard. Top and bottom are not finished
- Qty of adj. shelves in upper section depends on cabinet height: 30" – 39" = 0 | 39-1/4" – 51" = 1 | 51-1/4" – 60" = 2
- Removable oven panel attaches to face of cabinet and has same edge detail as door
- **Solid Wood, Mitered & M&T door styles:** Panel is stile and rail construction. Wide stiles and rails allow opening size to be enlarged in field. Removal of screws from back side of panel may be required before cutting.

- Standard opening for wood door styles will be minimum cutout dimensions (see size charts below)
- Cutouts are centered vertically and horizontally
- **Acrylic, Foil, Greenlam, HPL, LPL, Thermofoil, TSS, Wood Veneer and Bamboo Plywood door styles:** Removable panel is a one-piece, slab construction, with no opening and is shipped attached. Field cutout required.
- Oven shelf and cleats are tacked to interior cabinet shelf for field install.
- Custom factory cutouts are available, apply Custom Cutout Modification. See pg M-13 for CC1 specs and pricing. Minimum and maximum cutout dimensions listed below.

MUC2DR				
30" H	33" H	36" H	39" H	42" H
MUC2730X21	MUC2733X21	MUC2736X21	MUC2739X21	MUC2742X21
MUC3030X21	MUC3033X21	MUC3036X21	MUC3039X21	MUC3042X21
MUC3330X21	MUC3333X21	MUC3336X21	MUC3339X21	MUC3342X21
12" Upper Section	12" Upper Section	15" Upper Section	18" Upper Section	21" Upper Section

Custom Cutout Mod.

MSRP

CC1

382

Panel Sizes by cabinet W & H

Cabinet Width	Panel Width	Cabinet H:	Cabinet H:
		30" - 32-3/4"	33" - 60"
Panel Heights			
27"	26-7/8"		
30"	29-7/8"	17-7/8"	20-7/8"
33"	32-7/8"		

MUC: 30" - 32-3/4" H		
Opening	Existing & Min. Cutout	Max. Cutout
W1 (width)	Cab. Width - 9"	Cab. Width - 3"
H1 (height)	9"	15"

MUC: 33" - 60" H		
Opening	Existing & Min. Cutout	Max. Cutout
W1 (width)	Cab. Width - 9"	Cab. Width - 3"
H1 (height)	12"	18"

Wall Cabinets

MICROWAVE SHELF – 18" H																				
MS2418	475	No Doors																		
MS2718	492																			
MS3018	509																			
MICROWAVE SHELF – 21" H																				
MS2421	509	No Doors																		
MS2721	526																			
MS3021	543																			
MICROWAVE SHELF CABINET – 30" H																				
MSC2430DD	487	609	697	743	848	743	848	834	953	834	953	873	914	953	1029	929	1062	1018	1184	1163
MSC2730	517	646	739	790	902	790	902	892	1019	892	1019	934	977	1019	1102	1006	1150	1102	1282	1277
MSC3030	546	683	782	838	957	838	957	950	1085	950	1085	996	1041	1085	1174	1082	1238	1186	1381	1391
MICROWAVE SHELF CABINET – 33" H																				
MSC2433DD	505	631	724	775	885	775	885	880	1006	880	1006	921	963	1006	1085	997	1140	1092	1270	1277
MSC2733	534	668	768	826	943	826	943	941	1077	941	1077	987	1031	1077	1162	1080	1235	1184	1377	1403
MSC3033	566	707	812	875	1001	875	1001	1004	1148	1004	1148	1052	1101	1148	1240	1163	1331	1275	1484	1530
MICROWAVE SHELF CABINET – 36" H																				
MSC2436DD	521	651	750	807	923	807	923	924	1057	924	1057	968	1013	1057	1141	1063	1216	1165	1357	1389
MSC2736	552	690	795	860	982	860	982	990	1133	990	1133	1038	1085	1133	1225	1153	1319	1265	1472	1528
MSC3036	583	729	841	912	1043	912	1043	1057	1209	1057	1209	1107	1158	1209	1308	1243	1423	1364	1587	1667
MICROWAVE SHELF CABINET – 39" H																				
MSC2439DD	562	702	809	875	1001	875	1001	1013	1157	1013	1157	1060	1109	1157	1250	1186	1357	1299	1513	1577
MSC2739	596	745	860	934	1068	934	1068	1087	1243	1087	1243	1140	1191	1243	1343	1287	1474	1413	1645	1738
MSC3039	631	789	912	994	1136	994	1136	1162	1330	1162	1330	1218	1274	1330	1435	1391	1593	1525	1777	1898
MICROWAVE SHELF CABINET – 42" H																				
MSC2442DD	601	751	867	943	1079	943	1079	1099	1257	1099	1257	1152	1204	1257	1358	1306	1496	1433	1669	1766
MSC2742	639	799	924	1009	1155	1009	1155	1182	1353	1182	1353	1240	1296	1353	1462	1421	1628	1559	1816	1947
MSC3042	677	846	982	1075	1230	1075	1230	1265	1448	1265	1448	1326	1387	1448	1565	1537	1760	1686	1966	2128
MICROWAVE UNIVERSAL CABINET – 30" H																				
MUC2730X21	734	918	1011	1231	1377	1163	1309	1265	1426	1333	1494	1387	1440	1494	1615	1548	1727	1667	1786	1820
MUC3030X21	786	982	1079	1313	1467	1245	1399	1358	1530	1426	1598	1484	1542	1598	1727	1659	1850	1786	1923	1969
MUC3330X21	837	1046	1148	1396	1560	1328	1492	1450	1633	1518	1701	1579	1640	1701	1838	1771	1976	1908	2062	2118
MICROWAVE UNIVERSAL CABINET – 33" H																				
MUC2733X21	756	945	1045	1272	1423	1204	1355	1319	1489	1387	1557	1445	1501	1557	1681	1628	1818	1754	1888	1950
MUC3033X21	809	1011	1114	1357	1518	1289	1450	1418	1598	1486	1665	1545	1606	1665	1799	1745	1950	1883	2035	2113
MUC3333X21	860	1075	1186	1442	1613	1374	1545	1515	1706	1582	1774	1647	1711	1774	1916	1866	2084	2011	2184	2274
MICROWAVE UNIVERSAL CABINET – 36" H																				
MUC2736X21	776	970	1077	1311	1469	1243	1401	1374	1550	1442	1618	1501	1560	1618	1749	1706	1908	1840	1989	2079
MUC3036X21	830	1038	1150	1399	1567	1331	1499	1476	1665	1543	1733	1606	1671	1733	1872	1832	2049	1978	2145	2256
MUC3336X21	883	1104	1223	1487	1665	1420	1598	1577	1779	1645	1847	1713	1781	1847	1996	1959	2193	2115	2305	2430
MICROWAVE UNIVERSAL CABINET – 39" H																				
MUC2739X21	809	1011	1126	1370	1537	1303	1469	1453	1642	1521	1710	1584	1649	1710	1847	1825	2044	1971	2142	2274
MUC3039X21	864	1080	1204	1465	1643	1398	1576	1564	1767	1632	1835	1699	1767	1835	1981	1962	2200	2122	2315	2471
MUC3339X21	922	1152	1282	1559	1747	1491	1679	1674	1889	1742	1957	1813	1886	1957	2115	2101	2357	2273	2488	2666
MICROWAVE UNIVERSAL CABINET – 42" H																				
MUC2742X21	840	1050	1175	1430	1604	1362	1537	1533	1733	1601	1801	1667	1735	1801	1945	1942	2179	2100	2293	2469
MUC3042X21	898	1123	1258	1530	1718	1462	1650	1652	1867	1720	1935	1791	1864	1935	2091	2093	2349	2264	2483	2685
MUC3342X21	958	1197	1340	1628	1828	1560	1760	1769	2000	1837	2067	1913	1991	2067	2234	2244	2520	2429	2671	2902

Wall Cabinets

* L or R required

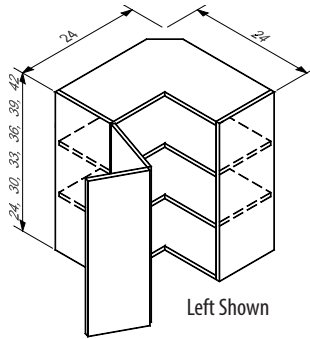
WALL CORNER CABINET

- Bifold-hinged door opens 170° from face of cabinet
- Concealed-IM, Soft Close hinge not available

MODIFICATION LIMITS

Width No width mods
 Height 12" – 48"
 Depth No depth mods

Upper or Lower Section Height	Qty of Adjustable Shelves
18-1/4" – 27"	1
27-1/4" – 36"	2
36-1/4" – 48"	3



WCC24
 24" W x 12" D
 WCC2424*
 WCC2430*
 WCC2433*
 WCC2436*
 WCC2439*
 WCC2442*

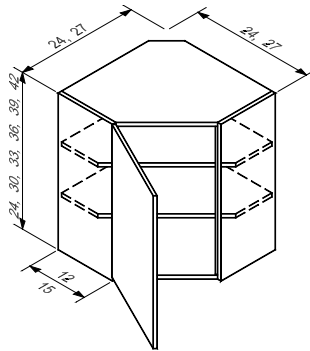
WALL CORNER ANGLE

- Door hinges 95° from face of cabinet

MODIFICATION LIMITS

Width No width mods
 Height 12" – 60"
 Depth No depth mods

Upper or Lower Section Height	Qty of Adjustable Shelves
18-1/4" – 27"	1
27-1/4" – 36"	2
36-1/4" – 48"	3
48-1/4" – 60"	4



WCA24
 24" W x 12" D
 WCA2424*
 WCA2430*
 WCA2433*
 WCA2436*
 WCA2439*
 WCA2442*

WCA27
 27" W x 15" D
 WCA2724X15*
 WCA2730X15*
 WCA2733X15*
 WCA2736X15*
 WCA2739X15*
 WCA2742X15*

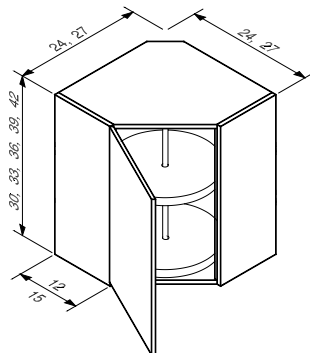
WALL CORNER ANGLE LAZY SUSAN

- Door hinges 95° from face of cabinet
- 18" diameter Lazy Susan available in white plastic (LS_) or wood (LSW_)

MODIFICATION LIMITS

Width No width mods
 Height 30" – 42"
 Depth No depth mods

Upper or Lower Section Height	Qty of Lazy Susan Shelves
30" – 36"	2
36-1/4" – 42"	3



WCALS24
 24" W x 12" D
 WCA2430LS*
 WCA2433LS*
 WCA2436LS*
 WCA2439LS*
 WCA2442LS*

WCALS27
 27" W x 15" D
 WCA2730X15LS*
 WCA2733X15LS*
 WCA2736X15LS*
 WCA2739X15LS*
 WCA2742X15LS*

WCALSW24
 24" W x 12" D
 WCA2430LSW*
 WCA2433LSW*
 WCA2436LSW*
 WCA2439LSW*
 WCA2442LSW*

WCALSW27
 27" W x 15" D
 WCA2730X15LSW*
 WCA2733X15LSW*
 WCA2736X15LSW*
 WCA2739X15LSW*
 WCA2742X15LSW*

Wall Cabinets

* L or R required

	M0	M1	M2	M3	M3A	M4	M4A	M5	M5A	M6	M6A	M7	M8	M9	M10	M11	M11A	M13	M15	M16
WALL CORNER CABINET																				
WCC2424*	437	546	634	689	785	689	785	802	916	802	916	840	879	916	990	950	1085	1041	1211	1299
WCC2430*	499	624	724	792	904	792	904	929	1062	929	1062	974	1018	1062	1148	1123	1286	1231	1433	1567
WCC2433*	515	644	748	819	936	819	936	965	1104	965	1104	1011	1058	1104	1192	1174	1345	1287	1499	1650
WCC2436*	530	663	770	846	967	846	967	1001	1145	1001	1145	1048	1097	1145	1236	1225	1403	1343	1564	1732
WCC2439*	573	716	829	911	1041	911	1041	1079	1233	1079	1233	1130	1182	1233	1331	1325	1518	1453	1693	1879
WCC2442*	614	768	889	975	1116	975	1116	1155	1321	1155	1321	1211	1267	1321	1428	1425	1632	1564	1822	2027
WALL CORNER ANGLE																				
WCA2424*	342	427	468	492	560	492	560	541	616	541	616	566	590	616	667	600	683	656	760	746
WCA2430*	399	499	544	573	653	573	653	633	721	633	721	661	692	721	778	711	811	777	902	899
WCA2433*	413	516	563	594	677	594	677	656	748	656	748	687	719	748	809	741	846	811	941	943
WCA2436*	426	533	580	614	700	614	700	680	775	680	775	712	745	775	838	772	882	845	980	985
WCA2439*	458	573	624	660	753	660	753	731	834	731	834	767	801	834	901	833	951	912	1060	1067
WCA2442*	491	614	668	706	806	706	806	782	892	782	892	819	856	892	965	894	1021	979	1138	1148
WCA2724X15*	427	534	585	616	700	616	700	677	770	677	770	709	738	770	833	751	855	821	950	933
WCA2730X15*	499	624	680	717	816	717	816	790	901	790	901	828	865	901	974	889	1014	972	1128	1124
WCA2733X15*	517	646	704	743	846	743	846	821	934	821	934	860	899	934	1011	928	1058	1014	1177	1179
WCA2736X15*	534	667	726	768	875	768	875	850	968	850	968	890	931	968	1048	965	1102	1057	1226	1231
WCA2739X15*	574	717	782	826	941	826	941	914	1043	914	1043	958	1001	1043	1128	1041	1191	1140	1325	1333
WCA2742X15*	614	768	836	882	1007	882	1007	977	1116	977	1116	1024	1070	1116	1206	1118	1277	1223	1423	1435
WALL CORNER ANGLE LAZY SUSAN - WHT PLASTIC																				
WCA2430LS*	581	726	772	801	880	801	880	860	948	860	948	889	919	948	1006	938	1038	1004	1130	1126
WCA2433LS*	594	743	790	821	904	821	904	884	975	884	975	914	946	975	1036	968	1074	1038	1169	1170
WCA2436LS*	608	760	807	841	928	841	928	907	1002	907	1002	940	972	1002	1065	999	1109	1072	1208	1213
WCA2439LS*	661	826	877	912	1006	912	1006	984	1087	984	1087	1019	1053	1087	1155	1085	1204	1165	1313	1319
WCA2442LS*	714	892	946	984	1084	984	1084	1060	1170	1060	1170	1097	1135	1170	1243	1172	1299	1257	1416	1426
WCA2730X15LS*	681	851	907	945	1043	945	1043	1018	1128	1018	1128	1055	1092	1128	1201	1116	1241	1199	1355	1352
WCA2733X15LS*	698	873	931	970	1074	970	1074	1048	1162	1048	1162	1087	1126	1162	1238	1155	1286	1241	1404	1406
WCA2736X15LS*	715	894	953	996	1102	996	1102	1077	1196	1077	1196	1118	1158	1196	1275	1192	1330	1284	1453	1459
WCA2739X15LS*	776	970	1035	1079	1194	1079	1194	1167	1296	1167	1296	1211	1253	1296	1381	1294	1443	1392	1577	1586
WCA2742X15LS*	837	1046	1114	1160	1286	1160	1286	1255	1394	1255	1394	1303	1348	1394	1484	1396	1555	1501	1701	1713
WALL CORNER ANGLE LAZY SUSAN - WOOD																				
WCA2430LSW*	917	1146	1192	1221	1301	1221	1301	1280	1369	1280	1369	1309	1340	1369	1426	1358	1459	1425	1550	1547
WCA2433LSW*	930	1163	1211	1241	1325	1241	1325	1304	1396	1304	1396	1335	1367	1396	1457	1389	1494	1459	1589	1591
WCA2436LSW*	1029	1286	1333	1367	1453	1367	1453	1433	1528	1433	1528	1465	1498	1528	1591	1525	1635	1598	1733	1738
WCA2439LSW*	1232	1540	1591	1626	1720	1626	1720	1698	1801	1698	1801	1733	1767	1801	1867	1799	1918	1879	2027	2034
WCA2442LSW*	1265	1581	1635	1672	1772	1672	1772	1749	1859	1749	1859	1786	1823	1859	1932	1861	1988	1945	2105	2115
WCA2730X15LSW*	1018	1272	1328	1365	1464	1365	1464	1438	1548	1438	1548	1476	1513	1548	1621	1537	1662	1620	1776	1772
WCA2733X15LSW*	1035	1294	1352	1391	1494	1391	1494	1469	1582	1469	1582	1508	1547	1582	1659	1576	1706	1662	1825	1827
WCA2736X15LSW*	1136	1420	1479	1521	1628	1521	1628	1603	1721	1603	1721	1643	1684	1721	1801	1718	1855	1810	1979	1984
WCA2739X15LSW*	1347	1684	1749	1793	1908	1793	1908	1881	2010	1881	2010	1925	1967	2010	2095	2008	2157	2106	2291	2300
WCA2742X15LSW*	1388	1735	1803	1849	1974	1849	1974	1944	2083	1944	2083	1991	2037	2083	2173	2084	2244	2190	2390	2402

Wall Cabinets

** LL, LR, RL or RR required

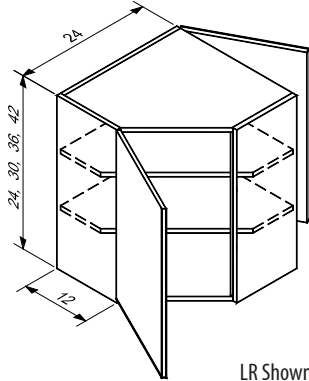
WALL CORNER ANGLE DOUBLE-ENTRY

- Door hinges 95° from face of cabinet
- See below for orientation and hinging

MODIFICATION LIMITS

Width No Width Mods
 Height 12" – 42"
 Depth No Depth Mods

Upper or Lower Section Height	Qty of Shelves
18-1/4" – 27"	1
27-1/4" – 36"	2
36-1/4" – 42"	3



WCADE

24" W x 12" D
 WCADE2424**
 WCADE2430**
 WCADE2433**
 WCADE2436**
 WCADE2439**
 WCADE2442**

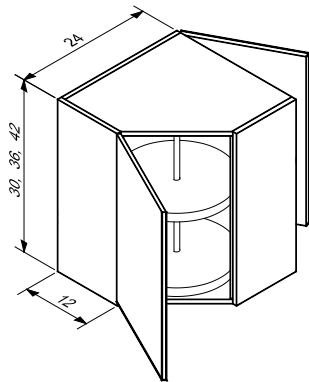
WALL CORNER ANGLE DOUBLE-ENTRY LAZY SUSAN

- 18" diameter Lazy Susan available in white plastic (LS_) or wood (LSW_)

MODIFICATION LIMITS

Width No Width Mods
 Height 30" – 42"
 Depth No Depth Mods

Upper or Lower Section Height	Qty of Lazy Susan Shelves
30" – 36"	2
36-1/4" – 42"	3



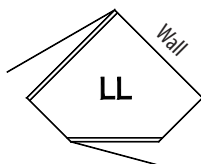
WCADELS

24" W x 12" D
 WCADE2430LS**
 WCADE2433LS**
 WCADE2436LS**
 WCADE2439LS**
 WCADE2442LS**

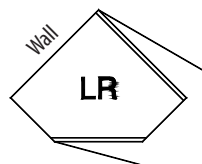
WCADELSW

24" W x 12" D
 WCADE2430LSW**
 WCADE2439LSW**
 WCADE2436LSW**
 WCADE2439LSW**
 WCADE2442LSW**

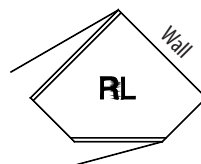
WCADE Orientation & Hinging



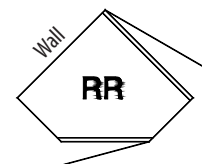
Left hinge front
 Left hinge back



Left hinge front
 Right hinge back



Right hinge front
 Left hinge back



Right hinge front
 Right hinge back

Primary Entry

Wall Cabinets

** LL, LR, RL or RR required

	M0	M1	M2	M3	M3A	M4	M4A	M5	M5A	M6	M6A	M7	M8	M9	M10	M11	M11A	M13	M15	M16
WALL CORNER ANGLE DOUBLE-ENTRY																				
WCADE2424**	513	641	762	853	975	853	975	1040	1189	1040	1189	1089	1140	1189	1286	1321	1513	1448	1688	1944
WCADE2430**	548	685	819	923	1055	923	1055	1135	1299	1135	1299	1189	1243	1299	1404	1464	1677	1606	1872	2184
WCADE2433**	583	729	877	992	1135	992	1135	1230	1408	1230	1408	1289	1348	1408	1521	1606	1840	1762	2056	2425
WCADE2436**	583	729	877	992	1135	992	1135	1230	1408	1230	1408	1289	1348	1408	1521	1606	1840	1762	2056	2425
WCADE2439**	649	811	977	1111	1272	1111	1272	1389	1591	1389	1591	1457	1523	1591	1720	1835	2105	2015	2349	2802
WCADE2442**	649	811	977	1111	1272	1111	1272	1389	1591	1389	1591	1457	1523	1591	1720	1835	2105	2015	2349	2802

	M0	M1	M2	M3	M3A	M4	M4A	M5	M5A	M6	M6A	M7	M8	M9	M10	M11	M11A	M13	M15	M16
WALL CRNR ANGLE, DBL-ENTRY, LZY SUSAN - WHITE																				
WCADE2430LS**	726	907	1041	1145	1311	1145	1311	1357	1554	1357	1554	1423	1489	1554	1679	1684	1930	1849	2156	2408
WCADE2433LS**	761	951	1097	1214	1391	1214	1391	1452	1664	1452	1664	1523	1593	1664	1798	1827	2095	2005	2339	2649
WCADE2436LS**	761	951	1097	1214	1391	1214	1391	1452	1664	1452	1664	1523	1593	1664	1798	1827	2095	2005	2339	2649
WCADE2439LS**	893	1116	1280	1416	1623	1416	1623	1693	1940	1693	1940	1776	1857	1940	2096	2139	2452	2349	2741	3110
WCADE2442LS**	893	1116	1280	1416	1623	1416	1623	1693	1940	1693	1940	1776	1857	1940	2096	2139	2452	2349	2741	3110
WALL CRNR ANGLE, DBL-ENTRY, LZY SUSAN - WOOD																				
WCADE2430LSW**	1066	1333	1467	1570	1703	1570	1703	1782	1947	1782	1947	1837	1891	1947	2052	2112	2325	2254	2520	2832
WCADE2433LSW**	1186	1482	1630	1745	1888	1745	1888	1983	2161	1983	2161	2042	2101	2161	2274	2359	2593	2515	2809	3178
WCADE2436LSW**	1186	1482	1630	1745	1888	1745	1888	1983	2161	1983	2161	2042	2101	2161	2274	2359	2593	2515	2809	3178
WCADE2439LSW**	1422	1777	1944	2078	2239	2078	2239	2351	2558	2356	2558	2424	2490	2558	2686	2802	3071	2982	3316	3769
WCADE2442LSW**	1422	1777	1944	2078	2239	2078	2239	2356	2558	2356	2558	2424	2490	2558	2686	2802	3071	2982	3316	3769

Wall Cabinets

* L or R required

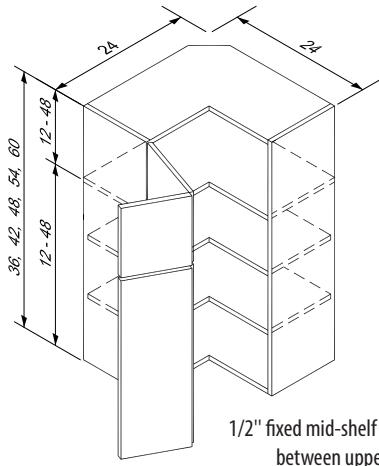
WALL CORNER STACKED DOOR CABINETS

MODIFICATION LIMITS

Width No Width Mods
 Height 24" – 66"
 Depth No Depth Mods

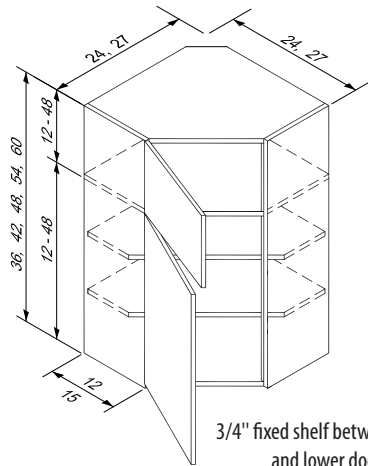
- Doors overlay the 3/4" fixed mid-shelf 5/16" resulting in a 1/8" reveal between stacked doors
- Height of door on upper section will be 1/8" taller than doors on cabinet of same height without stacked doors
- Location and height of door on lower section

- will be same height as door(s) on a non-stacking cabinet of same callout height
- WCCS only: Bifold-hinged doors
- See next page for "How to Order"



1/2" fixed mid-shelf and 3" tall fixed mid rail between upper and lower doors

Upper or Lower Section Height	Qty of Adj. Shelves
12" – 18"	0
18-1/4" – 27"	1
27-1/4" – 36"	2
36-1/4" – 48"	3



3/4" fixed shelf between upper and lower doors

WCCS24

24" W x 12" D

WCCS2436*	WCCS2451*
WCCS2439*	WCCS2454*
WCCS2442*	WCCS2457*
WCCS2448*	WCCS2460*

WCAS24

24" W x 12" D

WCAS2433*	WCAS2448*
WCAS2436*	WCAS2451*
WCAS2439*	WCAS2454*
WCAS2442*	WCAS2457*
WCAS2445*	WCAS2460*

WCAS27

27" W x 15" D

WCAS2733*	WCAS2748*
WCAS2736*	WCAS2751*
WCAS2739*	WCAS2754*
WCAS2742*	WCAS2757*
WCAS2745*	WCAS2760*

WALL CORNER ANGLE STACKED DOORS – LS

MODIFICATION LIMITS

Width No Width Mods
 Height 42" – 66"
 Depth No Depth Mods

- See above for general description
- 3/4" fixed shelf between upper and lower doors
- Lazy Susan shelves available in white plastic (LS_) or wood (LSW_)
- LS shelves require a 30" H section and will be mounted in lower section
 - LS will be mounted in upper section if lower section is less than 30" H
- See next page for "How to Order"

Upper or Lower Section Height	Qty of Lazy Susan Shelves
12" – 29-3/4"	0
30" – 36"	2
36-1/4" – 48"	3

WCAS24LS

24" W x 12" D

WCAS2439LS*	WCAS2451LS*
WCAS2442LS*	WCAS2454LS*
WCAS2445LS*	WCAS2457LS*
WCAS2448LS*	WCAS2460LS*

WCAS24LSW

24" W x 12" D

WCAS2439LSW*	WCAS2451LSW*
WCAS2442LSW*	WCAS2454LSW*
WCAS2445LSW*	WCAS2457LSW*
WCAS2448LSW*	WCAS2460LSW*

WCAS27LS

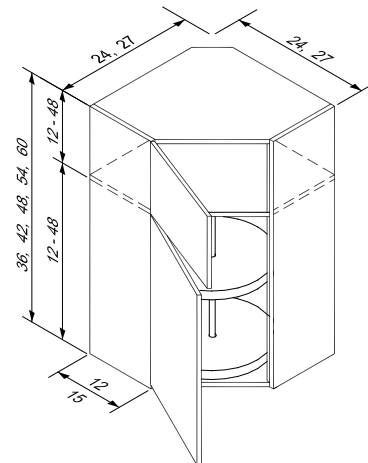
24" W x 15" D

WCAS2739LS*	WCAS2751LS*
WCAS2742LS*	WCAS2754LS*
WCAS2745LS*	WCAS2757LS*
WCAS2748LS*	WCAS2760LS*

WCAS27LSW

24" W x 15" D

WCAS2739LSW*	WCAS2751LSW*
WCAS2742LSW*	WCAS2754LSW*
WCAS2745LSW*	WCAS2757LSW*
WCAS2748LSW*	WCAS2760LSW*



Wall Cabinets

* L or R required

	M0	M1	M2	M3	M3A	M4	M4A	M5	M5A	M6	M6A	M7	M8	M9	M10	M11	M11A	M13	M15	M16
WALL CORNER CABINET STACKED (WCCS)																				
WCCS2436-_*	961	1201	1333	1414	1560	1414	1560	1586	1755	1586	1755	1642	1699	1755	1867	1806	2010	1944	2198	2330
WCCS24(39&42)_*	1023	1279	1423	1518	1679	1518	1679	1713	1901	1713	1901	1776	1838	1901	2025	1979	2210	2134	2420	2598
WCCS24(45&48)_*	1054	1318	1469	1572	1742	1572	1742	1784	1984	1784	1984	1850	1918	1984	2113	2081	2327	2246	2551	2763
WCCS24(51&54)_*	1164	1455	1628	1745	1937	1745	1937	1984	2213	1984	2213	2059	2139	2213	2361	2318	2598	2507	2854	3088
WCCS24(57&60)_*	1248	1560	1747	1874	2086	1874	2086	2139	2390	2139	2390	2222	2308	2390	2552	2519	2827	2727	3112	3384
WALL CORNER ANGLE STACKED (WCAS)																				
WCAS24(33&36)_*	818	1023	1084	1119	1221	1119	1221	1194	1306	1194	1306	1231	1267	1306	1382	1282	1408	1367	1521	1501
WCAS24(39&42)_*	875	1094	1160	1201	1314	1201	1314	1286	1411	1286	1411	1326	1369	1411	1494	1392	1535	1487	1664	1654
WCAS24(45&48)_*	902	1128	1196	1241	1362	1241	1362	1333	1465	1333	1465	1377	1421	1465	1554	1453	1606	1555	1742	1740
WCAS24(51&54)_*	988	1235	1313	1365	1503	1365	1503	1467	1618	1467	1618	1520	1569	1618	1720	1604	1776	1718	1932	1927
WCAS24(57&60)_*	1053	1316	1401	1457	1608	1457	1608	1569	1735	1569	1735	1626	1681	1735	1847	1727	1915	1852	2089	2089
WCAS27(33&36)_*	947	1184	1260	1306	1433	1306	1433	1398	1537	1398	1537	1445	1489	1537	1632	1509	1664	1613	1806	1781
WCAS27(39&42)_*	1019	1274	1355	1408	1548	1408	1548	1511	1667	1511	1667	1564	1616	1667	1772	1647	1823	1764	1984	1972
WCAS27(45&48)_*	1053	1316	1401	1459	1608	1459	1608	1570	1735	1570	1735	1626	1682	1735	1847	1723	1911	1849	2083	2079
WCAS27(51&54)_*	1158	1448	1547	1611	1782	1611	1782	1738	1928	1738	1928	1805	1866	1928	2054	1910	2125	2054	2320	2313
WCAS27(57&60)_*	1240	1550	1657	1725	1915	1725	1915	1866	2076	1866	2076	1939	2005	2076	2212	2062	2300	2220	2517	2517
LS - WHITE PLASTIC (WCAS-LS)																				
WCAS24(39&42)LS_*	1057	1321	1387	1428	1542	1428	1542	1513	1638	1513	1638	1554	1596	1638	1721	1620	1762	1715	1891	1881
WCAS24(45&48)LS_*	1084	1355	1423	1469	1589	1469	1589	1560	1693	1560	1693	1604	1649	1693	1781	1681	1833	1782	1969	1967
WCAS24(51&54)LS_*	1170	1462	1540	1593	1730	1593	1730	1694	1845	1694	1845	1747	1796	1845	1947	1832	2003	1945	2159	2154
WCAS24(57&60)LS_*	1275	1594	1679	1735	1886	1735	1886	1847	2013	1847	2013	1905	1959	2013	2125	2005	2193	2130	2368	2368
WCAS27(39&42)LS_*	1201	1501	1582	1635	1776	1635	1776	1738	1894	1738	1894	1791	1844	1894	2000	1874	2050	1991	2212	2200
WCAS27(45&48)LS_*	1234	1543	1628	1686	1835	1686	1835	1798	1962	1798	1962	1854	1910	1962	2074	1950	2139	2076	2310	2307
WCAS27(51&54)LS_*	1341	1676	1774	1838	2010	1838	2010	1966	2156	1966	2156	2032	2093	2156	2281	2137	2352	2281	2547	2541
WCAS27(57&60)LS_*	1462	1828	1935	2003	2193	2003	2193	2144	2354	2144	2354	2217	2283	2354	2490	2340	2578	2498	2795	2795
LSW - WOOD (WCAS_LSW)																				
WCAS24(39&42)LSW_*	1506	1883	1949	1989	2103	1989	2103	2074	2200	2074	2200	2115	2157	2200	2283	2181	2324	2276	2452	2442
WCAS24(45&48)LSW_*	1533	1916	1984	2030	2151	2030	2151	2122	2254	2122	2254	2166	2210	2254	2342	2242	2395	2344	2530	2529
WCAS24(51&54)LSW_*	1618	2023	2101	2154	2291	2154	2291	2256	2407	2256	2407	2308	2357	2407	2508	2393	2564	2507	2720	2715
WCAS24(57&60)LSW_*	1684	2105	2190	2246	2396	2246	2396	2357	2524	2357	2524	2415	2469	2524	2636	2515	2703	2641	2878	2878
WCAS27(39&42)LSW_*	1650	2062	2144	2196	2337	2196	2337	2300	2456	2300	2456	2352	2405	2456	2561	2435	2612	2552	2773	2761
WCAS27(45&48)LSW_*	1684	2105	2190	2247	2396	2247	2396	2359	2524	2359	2524	2415	2471	2524	2636	2512	2700	2637	2871	2868
WCAS27(51&54)LSW_*	1790	2237	2335	2400	2571	2400	2571	2527	2717	2527	2717	2593	2654	2717	2842	2698	2914	2842	3109	3102
WCAS27(57&60)LSW_*	1871	2339	2446	2513	2703	2513	2703	2654	2865	2654	2865	2727	2793	2865	3000	2851	3088	3009	3306	3306

"_" Specify overall height & lower section height

HOW TO ORDER					
Configuration	W	H	Lower Section H	* Swing	
WCCS	24	60	-	36	L
WCAS	24	60LS	-	36	L

- Use chart to determine overall cabinet height by combining upper and lower section heights
- **Bold** heights are standard
- Light grey heights require height modification

		HEIGHT OF UPPER SECTION												
		12	15	18	21	24	27	30	33	36	39	42	45	48
HEIGHT OF LOWER SECTION	12	24	27	30	33	36	39	42	45	48	51	54	57	60
	15	27	30	33	36	39	42	45	48	51	54	57	60	63
	18	30	33	36	39	42	45	48	51	54	57	60	63	66
	21	33	36	39	42	45	48	51	54	57	60	63	66	
	24	36	39	42	45	48	51	54	57	60	63	66		
	27	39	42	45	48	51	54	57	60	63	66			
	30	42	45	48	51	54	57	60	63	66				
	33	45	48	51	54	57	60	63	66					
	36	48	51	54	57	60	63	66						
	39	51	54	57	60	63	66							
	42	54	57	60	63	66								
45	57	60	63	66										
48	60	63	66											

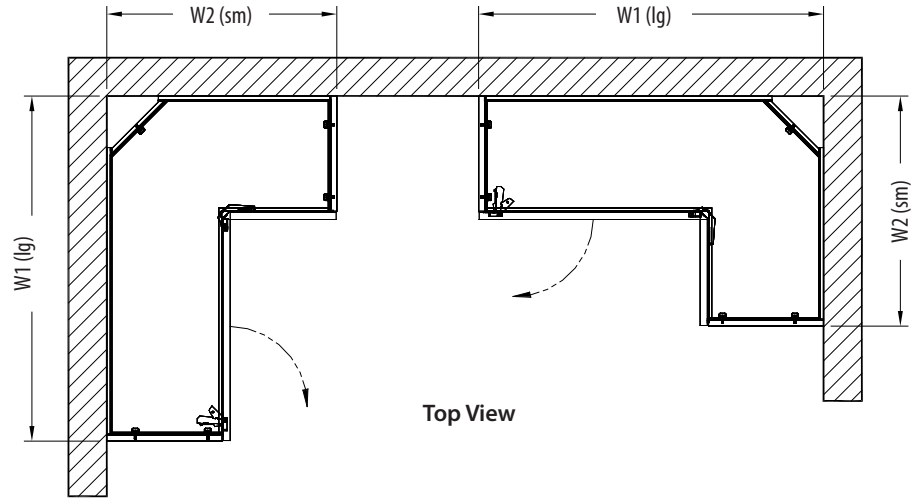
Wall Cabinets

ASYMMETRICAL CORNER CABINETS - HINGED LEFT

Design note:

- 21" W side of cabinets: Doors will be slab when door style is Mitered, Applied Mldg or M&T w/3" stiles
- Roman door styles not recommended (door will be square on 21" W side only)

- Cabinets are hinged on the large door (see top view)
- Bifold-hinge door opens 170° from face of cabinet
- Sum of combined box face widths cannot exceed 30"
- Quantity of adjustable shelves determined by cabinet height (refer to chart below)



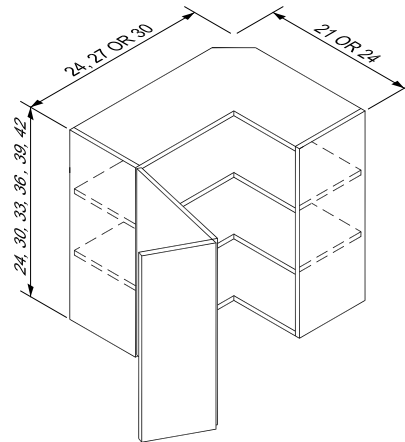
WALL CORNER CABINET - ASYM - L

MODIFICATION LIMITS

Width No Width Mods
 Height 12" – 48"
 Depth No Depth Mods

Upper or Lower Section Height	Qty of Adj. Shelves
12" – 18"	0
18-1/4" – 27"	1
27-1/4" – 36"	2
36-1/4" – 48"	3

Box Width	Box Face Width
21"	9"
24"	12"
27"	15"
30"	18"



HOW TO ORDER

Configuration	W1	H	W2
WCC	30	36	21

Wall Cabinets

	M0	M1	M2	M3	M3A	M4	M4A	M5	M5A	M6	M6A	M7	M8	M9	M10	M11	M11A	M13	M15	M16
ASYMMETRICAL WALL CORNER CABINET - 24" H																				
WCC242421	437	546	634	689	785	689	785	802	916	802	916	840	879	916	990	950	1085	1041	1211	1299
WCC272421	437	546	634	689	785	689	785	802	916	802	916	840	879	916	990	950	1085	1041	1211	1299
WCC272424	532	665	758	816	919	816	919	938	1058	938	1058	977	1018	1058	1138	1094	1238	1191	1372	1465
WCC302421	532	665	758	816	919	816	919	938	1058	938	1058	977	1018	1058	1138	1094	1238	1191	1372	1465
WCC302424	559	699	799	860	968	860	968	987	1116	987	1116	1029	1074	1116	1199	1153	1306	1257	1447	1547
ASYMMETRICAL WALL CORNER CABINET - 30" H																				
WCC243021	499	624	724	792	904	792	904	929	1062	929	1062	974	1018	1062	1148	1123	1286	1231	1433	1567
WCC273021	499	624	724	792	904	792	904	929	1062	929	1062	974	1018	1062	1148	1123	1286	1231	1433	1567
WCC273024	598	748	855	926	1045	926	1045	1072	1213	1072	1213	1119	1167	1213	1304	1277	1450	1392	1608	1750
WCC303021	598	748	855	926	1045	926	1045	1072	1213	1072	1213	1119	1167	1213	1304	1277	1450	1392	1608	1750
WCC303024	630	787	899	975	1102	975	1102	1131	1279	1131	1279	1180	1230	1279	1377	1348	1531	1470	1698	1849
ASYMMETRICAL WALL CORNER CABINET - 33" H																				
WCC243321	515	644	748	819	936	819	936	965	1104	965	1104	1011	1058	1104	1192	1174	1345	1287	1499	1650
WCC273321	515	644	748	819	936	819	936	965	1104	965	1104	1011	1058	1104	1192	1174	1345	1287	1499	1650
WCC273324	616	770	880	955	1080	955	1080	1111	1258	1111	1258	1158	1209	1258	1352	1331	1515	1452	1677	1838
WCC303321	616	770	880	955	1080	955	1080	1111	1258	1111	1258	1158	1209	1258	1352	1331	1515	1452	1677	1838
WCC303324	649	811	926	1006	1138	1006	1138	1170	1326	1170	1326	1223	1275	1326	1426	1406	1598	1533	1772	1942
ASYMMETRICAL WALL CORNER CABINET - 36" H																				
WCC243621	530	663	770	846	967	846	967	1001	1145	1001	1145	1048	1097	1145	1236	1225	1403	1343	1564	1732
WCC273621	530	663	770	846	967	846	967	1001	1145	1001	1145	1048	1097	1145	1236	1225	1403	1343	1564	1732
WCC273624	631	789	902	984	1113	984	1113	1148	1301	1148	1301	1199	1250	1301	1399	1386	1576	1513	1747	1925
WCC303621	631	789	902	984	1113	984	1113	1148	1301	1148	1301	1199	1250	1301	1399	1386	1576	1513	1747	1925
WCC303624	665	831	951	1036	1172	1036	1172	1211	1372	1211	1372	1264	1319	1372	1476	1462	1662	1596	1844	2034
ASYMMETRICAL WALL CORNER CABINET - 39" H																				
WCC243921	573	716	829	911	1041	911	1041	1079	1233	1079	1233	1130	1182	1233	1331	1325	1518	1453	1693	1879
WCC273921	573	716	829	911	1041	911	1041	1079	1233	1079	1233	1130	1182	1233	1331	1325	1518	1453	1693	1879
WCC273924	676	845	967	1053	1191	1053	1191	1231	1394	1231	1394	1286	1342	1394	1499	1492	1698	1630	1883	2081
WCC303921	676	845	967	1053	1191	1053	1191	1231	1394	1231	1394	1286	1342	1394	1499	1492	1698	1630	1883	2081
WCC303924	712	890	1018	1109	1257	1109	1257	1299	1472	1299	1472	1355	1414	1472	1582	1576	1793	1720	1989	2200
ASYMMETRICAL WALL CORNER CABINET - 42" H																				
WCC244221	614	768	889	975	1116	975	1116	1155	1321	1155	1321	1211	1267	1321	1428	1425	1632	1564	1822	2027
WCC274221	614	768	889	975	1116	975	1116	1155	1321	1155	1321	1211	1267	1321	1428	1425	1632	1564	1822	2027
WCC274224	721	901	1029	1121	1270	1121	1270	1313	1489	1313	1489	1372	1431	1489	1603	1599	1818	1747	2020	2239
WCC304221	760	950	1085	1182	1340	1182	1340	1384	1570	1384	1570	1447	1509	1570	1691	1688	1920	1844	2134	2364
WCC304224	760	950	1085	1182	1340	1182	1340	1384	1570	1384	1570	1447	1509	1570	1691	1688	1920	1844	2134	2364

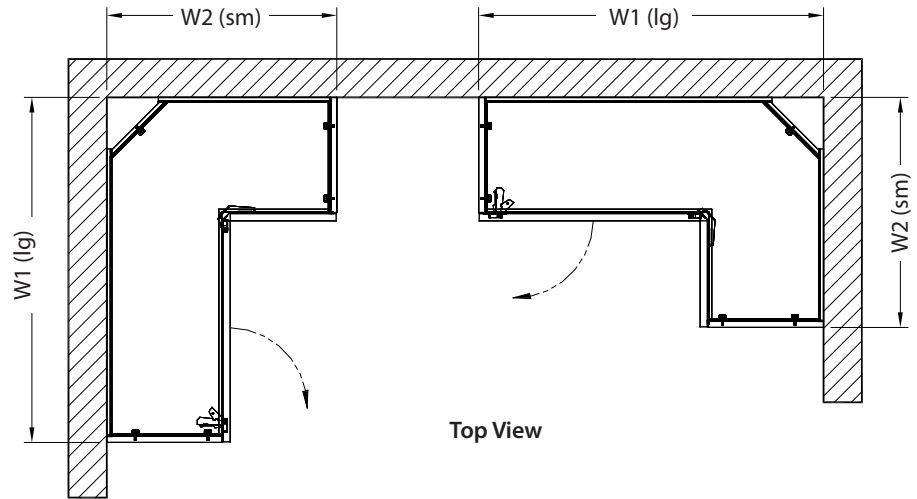
Wall Cabinets

ASYMMETRICAL CORNER CABINETS - HINGED LEFT

- Cabinets are hinged on the large door (see top view)
- Bifold-hinged door opens 170° from face of cabinet
- Sum of combined box face widths cannot exceed 30"
- Quantity of adjustable shelves determined by cabinet height (refer to chart below)

Design note:

- 21" W side of cabinets: Doors will be slab when door style is Mitered, Applied Mldg or M&T with 3" stiles
- Roman door styles not recommended (door will be square on 21" W side only)



WALL CORNER CABINET STACKED - ASYM - L

MODIFICATION LIMITS

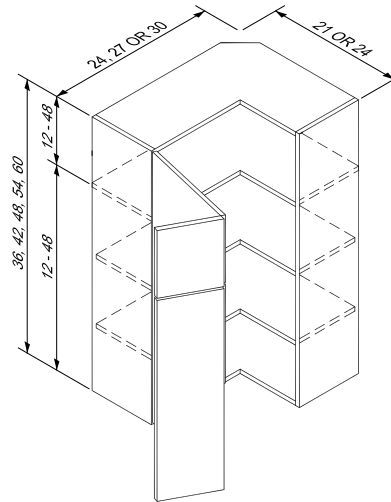
Width	No Width Mods
Height	24" – 66"
Depth	No Depth Mods

- Doors overlay 3/4" fixed mid-shelf 5/16" resulting in 1/8" reveal between stacked doors
- Height of door on upper section will be 1/8" taller than doors on a cabinet of the same height without stacked doors

- Location and height of door on lower section will be the same height as door(s) on a non-stacking cabinet of the same call-out height

Upper or Lower Section Height	Qty of Adj. Shelves
12" – 18"	0
18-1/4" – 27"	1
27-1/4" – 36"	2
36-1/4" – 48"	3

Box Width	Box Face Width
21"	9"
24"	12"
27"	15"
30"	18"



		HEIGHT OF UPPER SECTION												
		12	15	18	21	24	27	30	33	36	39	42	45	48
HEIGHT OF LOWER SECTION	12	24	27	30	33	36	39	42	45	48	51	54	57	60
	15	27	30	33	36	39	42	45	48	51	54	57	60	63
	18	30	33	36	39	42	45	48	51	54	57	60	63	66
	21	33	36	39	42	45	48	51	54	57	60	63	66	
	24	36	39	42	45	48	51	54	57	60	63	66		
	27	39	42	45	48	51	54	57	60	63	66			
	30	42	45	48	51	54	57	60	63	66				
	33	45	48	51	54	57	60	63	66					
	36	48	51	54	57	60	63	66						
	39	51	54	57	60	63	66							
42	54	57	60	63	66									
45	57	60	63	66										
48	60	63	66											

HOW TO ORDER

Configuration	W1	H	W2	"-"	Lwr Section
WCCS	24	60	21	-	<u>36</u>

- Use chart to determine overall cabinet height by combining upper and lower section heights
- **Bold** heights are standard
- Light grey heights require height modification

Wall Cabinets

	M0	M1	M2	M3	M3A	M4	M4A	M5	M5A	M6	M6A	M7	M8	M9	M10	M11	M11A	M13	M15	M16
ASYMMETRICAL WCC STACKED - 36" H																				
WCCS243621-__	961	1201	1333	1414	1560	1414	1560	1586	1755	1586	1755	1642	1699	1755	1867	1806	2010	1944	2198	2330
WCCS273621-__	961	1201	1333	1414	1560	1414	1560	1586	1755	1586	1755	1642	1699	1755	1867	1806	2010	1944	2198	2330
WCCS303621-__	1088	1360	1501	1587	1743	1587	1743	1769	1950	1769	1950	1830	1891	1950	2069	2005	2220	2151	2420	2561
WCCS273624-__	1088	1360	1501	1587	1743	1587	1743	1769	1950	1769	1950	1830	1891	1950	2069	2005	2220	2151	2420	2561
WCCS303624-__	1150	1437	1584	1676	1840	1676	1840	1869	2059	1869	2059	1932	1996	2059	2186	2117	2346	2271	2558	2707
ASYMMETRICAL WCC STACKED - 39" & 42" H																				
WCCS24(H)21-__	1023	1279	1423	1518	1679	1518	1679	1713	1901	1713	1901	1776	1838	1901	2025	1979	2210	2134	2420	2598
WCCS27(H)21-__	1023	1279	1423	1518	1679	1518	1679	1713	1901	1713	1901	1776	1838	1901	2025	1979	2210	2134	2420	2598
WCCS30(H)21-__	1154	1443	1596	1698	1869	1698	1869	1905	2105	1905	2105	1971	2039	2105	2237	2188	2432	2352	2656	2846
WCCS27(H)24-__	1154	1443	1596	1698	1869	1698	1869	1905	2105	1905	2105	1971	2039	2105	2237	2188	2432	2352	2656	2846
WCCS30(H)24-__	1218	1523	1686	1793	1974	1793	1974	2011	2223	2011	2223	2083	2154	2223	2363	2312	2571	2485	2807	3009
ASYMMETRICAL WCC STACKED - 45" & 48" H																				
WCCS24(H)21-__	1054	1318	1469	1572	1742	1572	1742	1784	1984	1784	1984	1850	1918	1984	2113	2081	2327	2246	2551	2763
WCCS27(H)21-__	1054	1318	1469	1572	1742	1572	1742	1784	1984	1784	1984	1850	1918	1984	2113	2081	2327	2246	2551	2763
WCCS30(H)21-__	1189	1486	1645	1755	1935	1755	1935	1981	2193	1981	2193	2050	2123	2193	2330	2296	2558	2471	2795	3021
WCCS27(H)24-__	1189	1486	1645	1755	1935	1755	1935	1981	2193	1981	2193	2050	2123	2193	2330	2296	2558	2471	2795	3021
WCCS30(H)24-__	1254	1567	1737	1854	2044	1854	2044	2093	2317	2093	2317	2166	2242	2317	2463	2425	2703	2612	2954	3194
ASYMMETRICAL WCC STACKED - 51" & 54" H																				
WCCS24(H)21-__	1164	1455	1628	1745	1937	1745	1937	1984	2213	1984	2213	2059	2139	2213	2361	2318	2598	2507	2854	3088
WCCS27(H)21-__	1164	1455	1628	1745	1937	1745	1937	1984	2213	1984	2213	2059	2139	2213	2361	2318	2598	2507	2854	3088
WCCS30(H)21-__	1306	1632	1815	1939	2142	1939	2142	2193	2437	2193	2437	2273	2357	2437	2593	2547	2846	2748	3117	3367
WCCS27(H)24-__	1306	1632	1815	1939	2142	1939	2142	2193	2437	2193	2437	2273	2357	2437	2593	2547	2846	2748	3117	3367
WCCS30(H)24-__	1377	1721	1916	2049	2264	2049	2264	2317	2575	2317	2575	2402	2491	2575	2741	2693	3009	2905	3295	3560
ASYMMETRICAL WCC STACKED - 57" & 60" H																				
WCCS24(H)21-__	1248	1560	1747	1874	2086	1874	2086	2139	2390	2139	2390	2222	2308	2390	2552	2519	2827	2727	3112	3384
WCCS27(H)21-__	1248	1560	1747	1874	2086	1874	2086	2139	2390	2139	2390	2222	2308	2390	2552	2519	2827	2727	3112	3384
WCCS30(H)21-__	1394	1743	1940	2076	2301	2076	2301	2357	2624	2357	2624	2446	2537	2624	2797	2761	3088	2983	3392	3680
WCCS27(H)24-__	1394	1743	1940	2076	2301	2076	2301	2357	2624	2357	2624	2446	2537	2624	2797	2761	3088	2983	3392	3680
WCCS30(H)24-__	1472	1840	2050	2193	2432	2193	2432	2491	2773	2491	2773	2585	2681	2773	2956	2919	3265	3153	3585	3891

" __ " Specify overall height & lower section height

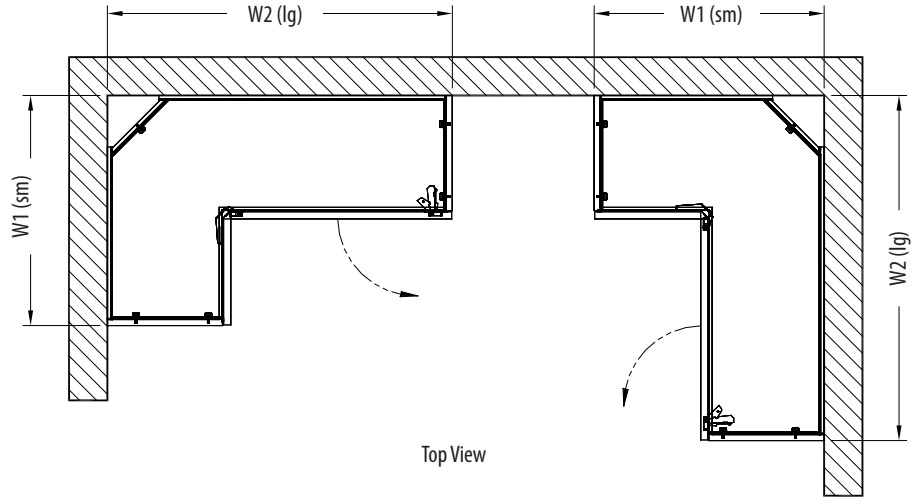
Wall Cabinets

ASYMMETRICAL CORNER CABINETS - HINGED RIGHT

Design note:

- 21" W side of cabinets: Doors will be slab when door style is Mitered, Applied Mldg or M&T w/3" stiles
- Roman door styles not recommended (door will be square on 21" W side only)

- Cabinets are hinged on the large door (see top view)
- Bifold-hinged door opens 170° from face of cabinet
- Sum of combined box face widths cannot exceed 30"
- Quantity of adjustable shelves determined by cabinet height (refer to chart below)



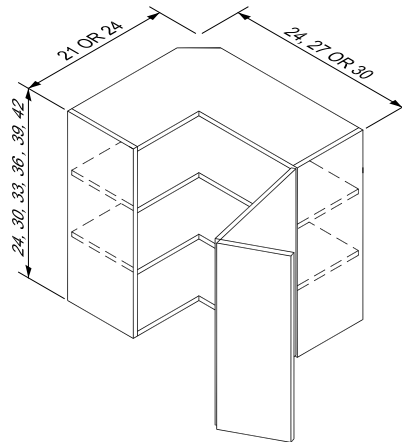
WALL CORNER CABINET - ASYM - R

MODIFICATION LIMITS

- Width No Width Mods
 Height 12" – 48"
 Depth No Depth Mods

Upper or Lower Section Height	Qty of Adj. Shelves
12" – 18"	0
18-1/4" – 27"	1
27-1/4" – 36"	2
36-1/4" – 48"	3

Box Width	Box Face Width
21"	9"
24"	12"
27"	15"
30"	18"



HOW TO ORDER

Configuration	W1	H	W2
WCC	21	36	30

Wall Cabinets

	M0	M1	M2	M3	M3A	M4	M4A	M5	M5A	M6	M6A	M7	M8	M9	M10	M11	M11A	M13	M15	M16
ASYMMETRICAL WALL CORNER CABINET - 24" H																				
WCC212424	437	546	634	689	785	689	785	802	916	802	916	840	879	916	990	950	1085	1041	1211	1299
WCC212427	437	546	634	689	785	689	785	802	916	802	916	840	879	916	990	950	1085	1041	1211	1299
WCC212430	532	665	758	816	919	816	919	938	1058	938	1058	977	1018	1058	1138	1094	1238	1191	1372	1465
WCC242427	532	665	758	816	919	816	919	938	1058	938	1058	977	1018	1058	1138	1094	1238	1191	1372	1465
WCC242430	559	699	799	860	968	860	968	987	1116	987	1116	1029	1074	1116	1199	1153	1306	1257	1447	1547
ASYMMETRICAL WALL CORNER CABINET - 30" H																				
WCC213024	499	624	724	792	904	792	904	929	1062	929	1062	974	1018	1062	1148	1123	1286	1231	1433	1567
WCC213027	499	624	724	792	904	792	904	929	1062	929	1062	974	1018	1062	1148	1123	1286	1231	1433	1567
WCC213030	598	748	855	926	1045	926	1045	1072	1213	1072	1213	1119	1167	1213	1304	1277	1450	1392	1608	1750
WCC243027	598	748	855	926	1045	926	1045	1072	1213	1072	1213	1119	1167	1213	1304	1277	1450	1392	1608	1750
WCC243030	630	787	899	975	1102	975	1102	1131	1279	1131	1279	1180	1230	1279	1377	1348	1531	1470	1698	1849
ASYMMETRICAL WALL CORNER CABINET - 33" H																				
WCC213324	515	644	748	819	936	819	936	965	1104	965	1104	1011	1058	1104	1192	1174	1345	1287	1499	1650
WCC213327	515	644	748	819	936	819	936	965	1104	965	1104	1011	1058	1104	1192	1174	1345	1287	1499	1650
WCC213330	616	770	880	955	1080	955	1080	1111	1258	1111	1258	1158	1209	1258	1352	1331	1515	1452	1677	1838
WCC243327	616	770	880	955	1080	955	1080	1111	1258	1111	1258	1158	1209	1258	1352	1331	1515	1452	1677	1838
WCC243330	649	811	926	1006	1138	1006	1138	1170	1326	1170	1326	1223	1275	1326	1426	1406	1598	1533	1772	1942
ASYMMETRICAL WALL CORNER CABINET - 36" H																				
WCC213624	530	663	770	846	967	846	967	1001	1145	1001	1145	1048	1097	1145	1236	1225	1403	1343	1564	1732
WCC213627	530	663	770	846	967	846	967	1001	1145	1001	1145	1048	1097	1145	1236	1225	1403	1343	1564	1732
WCC213630	631	789	902	984	1113	984	1113	1148	1301	1148	1301	1199	1250	1301	1399	1386	1576	1513	1747	1925
WCC243627	631	789	902	984	1113	984	1113	1148	1301	1148	1301	1199	1250	1301	1399	1386	1576	1513	1747	1925
WCC243630	665	831	951	1036	1172	1036	1172	1211	1372	1211	1372	1264	1319	1372	1476	1462	1662	1596	1844	2034
ASYMMETRICAL WALL CORNER CABINET - 39" H																				
WCC213924	573	716	829	911	1041	911	1041	1079	1233	1079	1233	1130	1182	1233	1331	1325	1518	1453	1693	1879
WCC213927	573	716	829	911	1041	911	1041	1079	1233	1079	1233	1130	1182	1233	1331	1325	1518	1453	1693	1879
WCC213930	676	845	967	1053	1191	1053	1191	1231	1394	1231	1394	1286	1342	1394	1499	1492	1698	1630	1883	2081
WCC243927	676	845	967	1053	1191	1053	1191	1231	1394	1231	1394	1286	1342	1394	1499	1492	1698	1630	1883	2081
WCC243930	712	890	1018	1109	1257	1109	1257	1299	1472	1299	1472	1355	1414	1472	1582	1576	1793	1720	1989	2200
ASYMMETRICAL WALL CORNER CABINET - 42" H																				
WCC214224	614	768	889	975	1116	975	1116	1155	1321	1155	1321	1211	1267	1321	1428	1425	1632	1564	1822	2027
WCC214227	614	768	889	975	1116	975	1116	1155	1321	1155	1321	1211	1267	1321	1428	1425	1632	1564	1822	2027
WCC214230	721	901	1029	1121	1270	1121	1270	1313	1489	1313	1489	1372	1431	1489	1603	1599	1818	1747	2020	2239
WCC244227	721	901	1029	1121	1270	1121	1270	1313	1489	1313	1489	1372	1431	1489	1603	1599	1818	1747	2020	2239
WCC244230	760	950	1085	1182	1340	1182	1340	1384	1570	1384	1570	1447	1509	1570	1691	1688	1920	1844	2134	2364

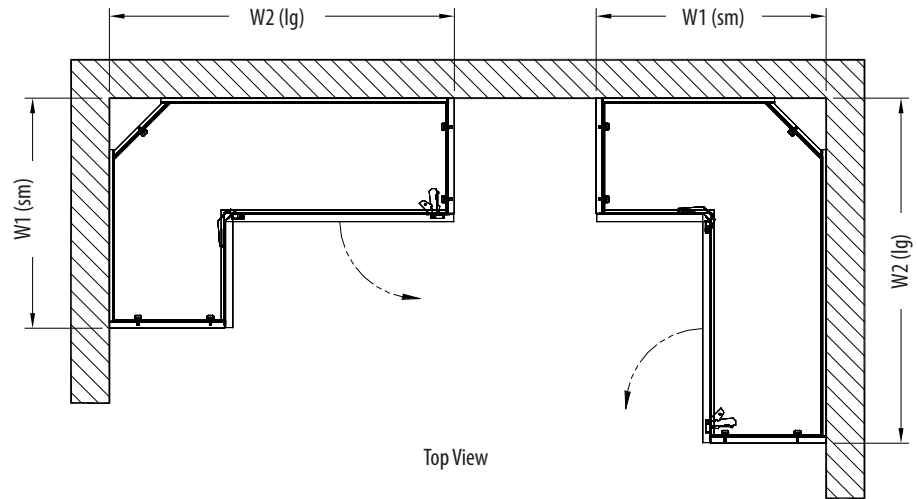
Wall Cabinets

ASYMMETRICAL CORNER CABINETS - HINGED RIGHT

- Cabinets are hinged on the large door (see top view)
- Bifold-hinged door opens 170° from face of cabinet
- Sum of combined box face widths cannot exceed 30"
- Quantity of adjustable shelves determined by cabinet height (refer to chart below)

Design note:

- 21" W side of cabinets: Doors will be slab when door style is Mitered, Applied Mldg or M&T w/3" stiles
- Roman door styles not recommended (door will be square on 21" W side only)



WALL CORNER CABINET STACKED - ASYM - R

MODIFICATION LIMITS

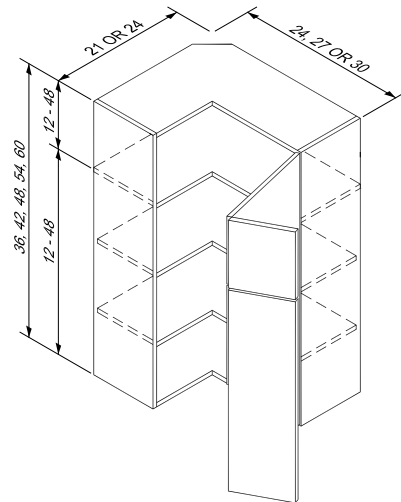
Width	No Width Mods
Height	24" – 66"
Depth	No Depth Mods

- Doors overlay 3/4" fixed mid-shelf 5/16" resulting in 1/8" reveal between stacked doors
- Height of door on upper section will be 1/8" taller than doors on a cabinet of the same height without stacked doors

- Location and height of door on lower section will be same height as door(s) on a non-stacking cabinet of the same call-out height

Upper or Lower Section Height	Qty of Adj. Shelves
12" – 18"	0
18-1/4" – 27"	1
27-1/4" – 36"	2
36-1/4" – 48"	3

Box Width	Box Face Width
21"	9"
24"	12"
27"	15"
30"	18"



		HEIGHT OF UPPER SECTION												
		12	15	18	21	24	27	30	33	36	39	42	45	48
HEIGHT OF LOWER SECTION	12	24	27	30	33	36	39	42	45	48	51	54	57	60
	15	27	30	33	36	39	42	45	48	51	54	57	60	63
	18	30	33	36	39	42	45	48	51	54	57	60	63	66
	21	33	36	39	42	45	48	51	54	57	60	63	66	
	24	36	39	42	45	48	51	54	57	60	63	66		
	27	39	42	45	48	51	54	57	60	63	66			
	30	42	45	48	51	54	57	60	63	66				
	33	45	48	51	54	57	60	63	66					
	36	48	51	54	57	60	63	66						
	39	51	54	57	60	63	66							
42	54	57	60	63	66									
45	57	60	63	66										
48	60	63	66											

HOW TO ORDER

Configuration	W1	H	W2	" - "	Lwr Section
WCCS	24	60	30	-	36

- Use chart to determine overall cabinet height by combining upper and lower section heights
- **Bold** heights are standard
- Light grey heights require height modification

Wall Cabinets

	M0	M1	M2	M3	M3A	M4	M4A	M5	M5A	M6	M6A	M7	M8	M9	M10	M11	M11A	M13	M15	M16
ASYMMETRICAL WALL CORNER STACKED - 36"H																				
WCCS213624-__	961	1201	1333	1414	1560	1414	1560	1586	1755	1586	1755	1642	1699	1755	1867	1806	2010	1944	2198	2330
WCCS213627-__	961	1201	1333	1414	1560	1414	1560	1586	1755	1586	1755	1642	1699	1755	1867	1806	2010	1944	2198	2330
WCCS213630-__	1088	1360	1501	1587	1743	1587	1743	1769	1950	1769	1950	1830	1891	1950	2069	2005	2220	2151	2420	2561
WCCS243627-__	1088	1360	1501	1587	1743	1587	1743	1769	1950	1769	1950	1830	1891	1950	2069	2005	2220	2151	2420	2561
WCCS243630-__	1150	1437	1584	1676	1840	1676	1840	1869	2059	1869	2059	1932	1996	2059	2186	2117	2346	2271	2558	2707
ASYMMETRICAL WCC STACKED - 39" & 42" H																				
WCCS21(H)24-__	1023	1279	1423	1518	1679	1518	1679	1713	1901	1713	1901	1776	1838	1901	2025	1979	2210	2134	2420	2598
WCCS21(H)27-__	1023	1279	1423	1518	1679	1518	1679	1713	1901	1713	1901	1776	1838	1901	2025	1979	2210	2134	2420	2598
WCCS21(H)30-__	1154	1443	1596	1698	1869	1698	1869	1905	2105	1905	2105	1971	2039	2105	2237	2188	2432	2352	2656	2846
WCCS24(H)27-__	1154	1443	1596	1698	1869	1698	1869	1905	2105	1905	2105	1971	2039	2105	2237	2188	2432	2352	2656	2846
WCCS24(H)30-__	1218	1523	1686	1793	1974	1793	1974	2011	2223	2011	2223	2083	2154	2223	2363	2312	2571	2485	2807	3009
ASYMMETRICAL WCC STACKED - 45" & 48" H																				
WCCS21(H)24-__	1054	1318	1469	1572	1742	1572	1742	1784	1984	1784	1984	1850	1918	1984	2113	2081	2327	2246	2551	2763
WCCS21(H)27-__	1054	1318	1469	1572	1742	1572	1742	1784	1984	1784	1984	1850	1918	1984	2113	2081	2327	2246	2551	2763
WCCS21(H)30-__	1189	1486	1645	1755	1935	1755	1935	1981	2193	1981	2193	2050	2123	2193	2330	2296	2558	2471	2795	3021
WCCS24(H)27-__	1189	1486	1645	1755	1935	1755	1935	1981	2193	1981	2193	2050	2123	2193	2330	2296	2558	2471	2795	3021
WCCS24(H)30-__	1254	1567	1737	1854	2044	1854	2044	2093	2317	2093	2317	2166	2242	2317	2463	2425	2703	2612	2954	3194
ASYMMETRICAL WCC STACKED - 51" & 54" H																				
WCCS21(H)24-__	1164	1455	1628	1745	1937	1745	1937	1984	2213	1984	2213	2059	2139	2213	2361	2318	2598	2507	2854	3088
WCCS21(H)27-__	1164	1455	1628	1745	1937	1745	1937	1984	2213	1984	2213	2059	2139	2213	2361	2318	2598	2507	2854	3088
WCCS21(H)30-__	1306	1632	1815	1939	2142	1939	2142	2193	2437	2193	2437	2273	2357	2437	2593	2547	2846	2748	3117	3367
WCCS24(H)27-__	1306	1632	1815	1939	2142	1939	2142	2193	2437	2193	2437	2273	2357	2437	2593	2547	2846	2748	3117	3367
WCCS24(H)30-__	1377	1721	1916	2049	2264	2049	2264	2317	2575	2317	2575	2402	2491	2575	2741	2693	3009	2905	3295	3560
ASYMMETRICAL WCC STACKED - 57" & 60" H																				
WCCS21(H)24-__	1248	1560	1747	1874	2086	1874	2086	2139	2390	2139	2390	2222	2308	2390	2552	2519	2827	2727	3112	3384
WCCS21(H)27-__	1248	1560	1747	1874	2086	1874	2086	2139	2390	2139	2390	2222	2308	2390	2552	2519	2827	2727	3112	3384
WCCS21(H)30-__	1394	1743	1940	2076	2301	2076	2301	2357	2624	2357	2624	2446	2537	2624	2797	2761	3088	2983	3392	3680
WCCS24(H)27-__	1394	1743	1940	2076	2301	2076	2301	2357	2624	2357	2624	2446	2537	2624	2797	2761	3088	2983	3392	3680
WCCS24(H)30-__	1472	1840	2050	2193	2432	2193	2432	2491	2773	2491	2773	2585	2681	2773	2956	2919	3265	3153	3585	3891

"__" Specify overall height & lower section height

Wall Cabinets

* L or R required

WALL CORNER ANGLE APPLIANCE GARAGE

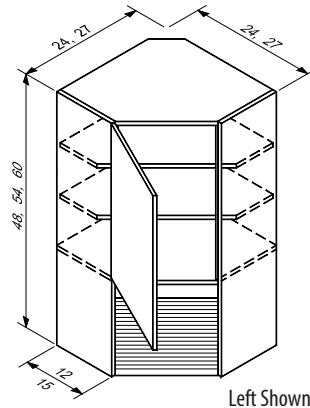
MODIFICATION LIMITS

Width	No Width Mods
Height	48" – 66"
Depth	No Depth Mods

Styles not available	
Exotic Wood Veneer	Thermo Structured Surface (TSS)
Black Walnut	Sapele
Foil	Greenlam

Cabinet Height	Qty of Adjustable Shelves
48" – 54"	2
54-1/4" – 66"	3

- Exterior ends not finished
- Height modifications made in door area
- Height may be reduced by trimming bottom
- Door hinges 95° from face of cabinet
- Default height of tambour section: 18"



Left Shown

- Opening height with tambour raised: approx. 14-3/4"
- Tambour height Modification available:
 - Increased to a max. 24" H (1/4" increments)
 - Overall cabinet height does not change, difference is taken from door section
 - Add \$254 MSRP for this modification

WCAAG24

24" W x 12" D
 WCAAG2448*
 WCAAG2451*
 WCAAG2454*
 WCAAG2457*
 WCAAG2460*

WCAAG27

27" W x 15" D
 WCAAG2748X15*
 WCAAG2751X15*
 WCAAG2754X15*
 WCAAG2757X15*
 WCAAG2760X15*

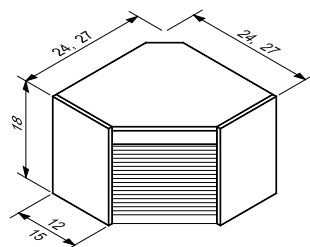
	M0	M1	M2	M3	M3A	M4	M4A	M5	M5A	M6	M6A	M7	M8	M9	M10	M11	M11A	M13	M15	M16
WCAAG2448*	1131	1414	1474	1511	1732	1511	1732	1587	1820	1587	1820	1665	1742	1820	1966	1691	1939	1855	2164	1920
WCAAG2451*	1181	1476	1538	1581	1811	1581	1811	1667	1911	1667	1911	1749	1830	1911	2066	1786	2047	1961	2286	2049
WCAAG2454*	1181	1476	1538	1581	1811	1581	1811	1667	1911	1667	1911	1749	1830	1911	2066	1786	2047	1961	2286	2049
WCAAG2457*	1296	1620	1689	1738	1993	1738	1993	1838	2108	1838	2108	1928	2018	2108	2278	1983	2274	2176	2539	2296
WCAAG2460*	1296	1620	1689	1738	1993	1738	1993	1838	2108	1838	2108	1928	2018	2108	2278	1983	2274	2176	2539	2296
WCAAG2748X15*	1415	1769	1842	1889	2164	1889	2164	1984	2274	1984	2274	2083	2178	2274	2458	2113	2424	2320	2705	2400
WCAAG2751X15*	1476	1845	1923	1976	2264	1976	2264	2084	2390	2084	2390	2186	2288	2390	2583	2232	2559	2451	2858	2561
WCAAG2754X15*	1476	1845	1923	1976	2264	1976	2264	2084	2390	2084	2390	2186	2288	2390	2583	2232	2559	2451	2858	2561
WCAAG2757X15*	1620	2025	2112	2173	2491	2173	2491	2298	2636	2298	2636	2410	2524	2636	2848	2478	2842	2720	3173	2871
WCAAG2760X15*	1620	2025	2112	2173	2491	2173	2491	2298	2636	2298	2636	2410	2524	2636	2848	2478	2842	2720	3173	2871

CORNER APPLIANCE GARAGE

MODIFICATION LIMITS

Width	No Width Mods
Height	18" – 24"
Depth	No Depth Mods

- Opening height with tambour raised: 13-3/4"
- Exterior ends not finished
- Height may be reduced by trimming bottom
- See styles not available list (above)



CAG

24" W x 12" D
 CAG

CAG27X15

27" W x 15" D
 CAG27X15

	M0	M1	M2	M3	M3A	M4	M4A	M5	M5A	M6	M6A	M7	M8	M9	M10	M11	M11A	M13	M15	M16
CAG	663	829	829	829	829	829	829	829	829	829	829	829	829	829	829	907	907	907	829	907
CAG27X15	752	940	940	940	940	984	984	984	984	940	940	940	940	940	940	1043	1043	940	940	1043

Wall Cabinets

* L or R required

WALL CORNER ANGLE APPLIANCE GARAGES - LS

MODIFICATION LIMITS

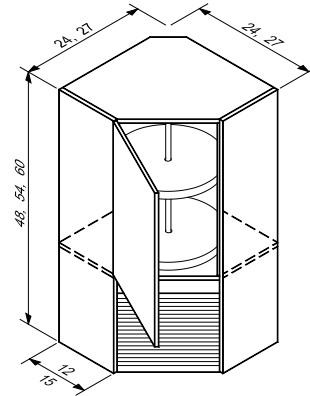
Width	No Width Mods
Height	48" – 66"
Depth	No Depth Mods

Styles not available	
Exotic Wood Veneer	Thermo Structured Surface (TSS)
Black Walnut	Sapele
Foil	Greenlam

Cabinet Height	Qty of Lazy Susan Shelves
48" – 54"	2
54-1/4" – 66"	3

- 18" diameter Lazy Susan available in white plastic (LS_) or wood (LSW_)
- Finished interior (FMI)
- Exterior ends not finished
- Height modifications made in door area
- Height may be reduced by trimming bottom
- Door hinges 95° from face of cabinet
- Default height of tambour section: 18"

- Opening height with tambour raised: approx. 14-3/4"
- Tambour height Modification available:
 - Increased to a max. 24" H (1/4" increments)
 - Overall cabinet height does not change, difference is taken from door section
 - Add \$254 MSRP for this modification



WCAAGLS24 24" W x 12" D	WCAAGLS27 27" W x 15" D	WCAAGLSW24 24" W x 12" D	WCAAGLSW27 27" W x 15" D
WCAAG2448LS*	WCAAG2748X15LS*	WCAAG2448LSW*	WCAAG2748X15LSW*
WCAAG2451LS*	WCAAG2751X15LS*	WCAAG2451LSW*	WCAAG2751X15LSW*
WCAAG2454LS*	WCAAG2754X15LS*	WCAAG2454LSW*	WCAAG2754X15LSW*
WCAAG2457LS*	WCAAG2757X15LS*	WCAAG2457LSW*	WCAAG2757X15LSW*
WCAAG2460LS*	WCAAG2760X15LS*	WCAAG2460LSW*	WCAAG2760X15LSW*

	M0	M1	M2	M3	M3A	M4	M4A	M5	M5A	M6	M6A	M7	M8	M9	M10	M11	M11A	M13	M15	M16
WHITE PLASTIC																				
WCAAG2448LS*	1314	1642	1701	1738	1959	1738	1959	1815	2047	1815	2047	1893	1969	2047	2193	1918	2166	2083	2391	2147
WCAAG2451LS*	1362	1703	1766	1808	2039	1808	2039	1894	2139	1894	2139	1976	2057	2139	2293	2013	2274	2188	2513	2276
WCAAG2454LS*	1362	1703	1766	1808	2039	1808	2039	1894	2139	1894	2139	1976	2057	2139	2293	2013	2274	2188	2513	2276
WCAAG2457LS*	1518	1898	1967	2017	2271	2017	2271	2117	2386	2117	2386	2206	2296	2386	2556	2261	2552	2454	2817	2575
WCAAG2460LS*	1518	1898	1967	2017	2271	2017	2271	2117	2386	2117	2386	2206	2296	2386	2556	2261	2552	2454	2817	2575
WCAAG2748X15LS*	1597	1996	2069	2117	2391	2117	2391	2212	2502	2212	2502	2310	2405	2502	2685	2340	2651	2547	2932	2627
WCAAG2751X15LS*	1658	2073	2151	2203	2491	2203	2491	2312	2617	2312	2617	2413	2515	2617	2810	2459	2787	2678	3085	2788
WCAAG2754X15LS*	1658	2073	2151	2203	2491	2203	2491	2312	2617	2312	2617	2413	2515	2617	2810	2459	2787	2678	3085	2788
WCAAG2757X15LS*	2042	2552	2303	2390	2451	2770	2451	2770	2576	2914	2576	2914	2688	2802	2914	3126	2756	3121	2999	3451
WCAAG2760X15LS*	2042	2552	2303	2390	2451	2770	2451	2770	2576	2914	2576	2914	2688	2802	2914	3126	2756	3121	2999	3451
WOOD																				
WCAAG2448LSW*	1650	2062	2122	2159	2379	2159	2379	2235	2468	2235	2468	2313	2390	2468	2614	2339	2586	2503	2812	2568
WCAAG2451LSW*	1783	2229	2291	2334	2564	2334	2564	2420	2664	2420	2664	2502	2583	2664	2819	2539	2800	2714	3039	2802
WCAAG2454LSW*	1783	2229	2291	2334	2564	2334	2564	2420	2664	2420	2664	2502	2583	2664	2819	2539	2800	2714	3039	2802
WCAAG2457LSW*	2069	2586	2656	2705	2960	2705	2960	2805	3075	2805	3075	2895	2985	3075	3244	2949	3241	3143	3506	3263
WCAAG2460LSW*	2069	2586	2656	2705	2960	2705	2960	2805	3075	2805	3075	2895	2985	3075	3244	2949	3241	3143	3506	3263
WCAAG2748X15LSW*	1934	2417	2490	2537	2812	2537	2812	2632	2922	2632	2922	2731	2826	2922	3105	2761	3071	2968	3353	3048
WCAAG2751X15LSW*	2078	2598	2676	2729	3017	2729	3017	2837	3143	2837	3143	2939	3041	3143	3336	2985	3312	3204	3611	3314
WCAAG2754X15LSW*	2078	2598	2676	2729	3017	2729	3017	2837	3143	2837	3143	2939	3041	3143	3336	2985	3312	3204	3611	3314
WCAAG2757X15LSW*	2394	2992	3078	3139	3458	3139	3458	3265	3602	3265	3602	3377	3490	3602	3814	3445	3809	3687	4140	3838
WCAAG2760X15LSW*	2394	2992	3078	3139	3458	3139	3458	3265	3602	3265	3602	3377	3490	3602	3814	3445	3809	3687	4140	3838

Wall Cabinets

* L or R required

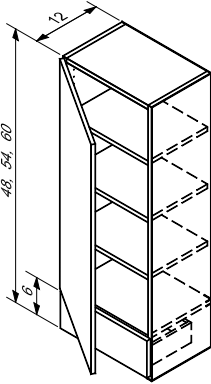
WALL 1-DRAWER

- Height modifications made in door area
- Exterior ends not finished

Cabinet Height	Qty of Adj. Shelves
18" - 24"	0
24-1/4" - 33"	1
33-1/4" - 42"	2
42-1/4" - 54"	3
54-1/4" - 66"	4

MODIFICATION LIMITS

Width 12" - 24"
 Height 18" - 66"
 Depth 12" - 24"



W1DR1DWR

48" | 51" | 54" | 57" | 60" H

W1D12_*

W1D15_*

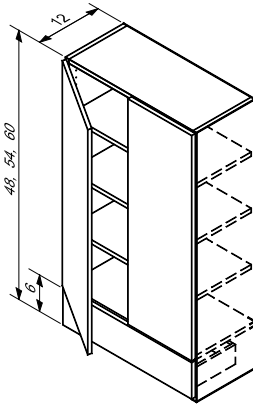
W1D18_*

W1D21_*

W1D24_*

MODIFICATION LIMITS

Width 18" - 27"
 Height 18" - 66"
 Depth 12" - 24"



W2DR1DWR

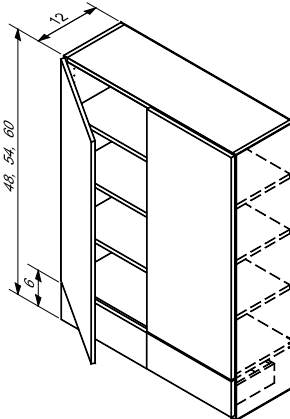
48" | 51" | 54" | 57" | 60" H

W1D24_DD

W1D27__

MODIFICATION LIMITS

Width 27-1/4" - 36"
 Height 18" - 66"
 Depth 12" - 24"



W2DR2DWR

48" | 51" | 54" | 57" | 60" H

W1D30__

W1D33__

W1D36__

Wall Cabinets

* L or R required

	M0	M1	M2	M3	M3A	M4	M4A	M5	M5A	M6	M6A	M7	M8	M9	M10	M11	M11A	M13	M15	M16	
WALL 1-DRAWER (1-DR) - 48" H																					
W1D1248*	590	738	812	872	996	872	996	987	1128	987	1128	1033	1080	1128	1219	1165	1335	1279	1487	1562	
W1D1548*	639	799	887	957	1094	957	1094	1104	1262	1104	1262	1157	1209	1262	1364	1333	1526	1462	1704	1837	
W1D1848*	670	838	941	1026	1172	1026	1172	1199	1372	1199	1372	1257	1314	1372	1482	1482	1698	1625	1894	2089	
W1D2148*	703	879	994	1092	1248	1092	1248	1294	1482	1294	1482	1357	1420	1482	1601	1628	1866	1786	2083	2344	
W1D2448*	734	918	1046	1160	1328	1160	1328	1391	1593	1391	1593	1457	1525	1593	1721	1776	2037	1949	2274	2600	
WALL 1-DRAWER (2-DR) - 48" H																					
W1D2448DD	803	1004	1153	1269	1453	1269	1453	1503	1721	1503	1721	1576	1649	1721	1861	1866	2139	2049	2390	2659	
W1D2748	904	1130	1297	1428	1635	1428	1635	1691	1937	1691	1937	1772	1855	1937	2093	2100	2407	2305	2688	2992	
W1D3048	1004	1255	1442	1586	1816	1586	1816	1879	2152	1879	2152	1969	2061	2152	2325	2332	2673	2561	2987	3324	
W1D3348	1105	1381	1586	1745	1998	1745	1998	2066	2368	2066	2368	2166	2268	2368	2558	2566	2941	2817	3285	3657	
W1D3648	1205	1506	1730	1903	2181	1903	2181	2254	2583	2254	2583	2364	2473	2583	2792	2798	3209	3073	3585	3989	
WALL 1-DRAWER (1-DR) - 51" & 54" H																					
W1D12(H)*	628	785	868	934	1068	934	1068	1065	1218	1065	1218	1116	1167	1218	1316	1269	1452	1391	1620	1716	
W1D15(H)*	682	853	953	1033	1180	1033	1180	1197	1370	1197	1370	1255	1313	1370	1481	1457	1671	1599	1864	2027	
W1D18(H)*	718	897	1014	1109	1269	1109	1269	1306	1494	1306	1494	1369	1431	1494	1615	1625	1862	1784	2079	2313	
W1D21(H)*	756	945	1074	1184	1355	1184	1355	1413	1620	1413	1620	1482	1550	1620	1750	1791	2052	1966	2293	2600	
W1D24(H)*	791	989	1133	1262	1445	1262	1445	1521	1743	1521	1743	1596	1669	1743	1884	1959	2246	2149	2508	2888	
WALL 1-DRAWER (2-DR) - 51" & 54" H																					
W1D24(H)DD	868	1085	1255	1386	1586	1386	1586	1650	1891	1650	1891	1730	1810	1891	2044	2059	2363	2261	2639	2956	
W1D27(H)	977	1221	1413	1559	1784	1559	1784	1857	2127	1857	2127	1947	2035	2127	2300	2317	2658	2544	2970	3326	
W1D30(H)	1086	1357	1569	1732	1983	1732	1983	2062	2364	2062	2364	2162	2262	2364	2554	2575	2953	2826	3299	3696	
W1D33(H)	1194	1492	1727	1905	2181	1905	2181	2269	2600	2269	2600	2379	2488	2600	2810	2831	3248	3109	3629	4065	
W1D36(H)	1302	1628	1883	2079	2379	2079	2379	2476	2837	2476	2837	2595	2715	2837	3066	3088	3545	3392	3958	4435	
WALL 1-DRAWER (1-DR) - 57" & 60" H																					
W1D12(H)*	678	848	945	1021	1167	1021	1167	1170	1340	1170	1340	1226	1284	1340	1448	1404	1608	1540	1794	1922	
W1D15(H)*	741	926	1041	1133	1296	1133	1296	1323	1515	1323	1515	1387	1452	1515	1637	1623	1861	1781	2076	2279	
W1D18(H)*	782	977	1113	1221	1398	1221	1398	1448	1659	1448	1659	1518	1587	1659	1793	1816	2083	1994	2325	2610	
W1D21(H)*	825	1031	1180	1308	1498	1308	1498	1572	1801	1572	1801	1649	1725	1801	1945	2008	2301	2203	2571	2941	
W1D24(H)*	866	1082	1250	1398	1599	1398	1599	1698	1945	1698	1945	1779	1862	1945	2101	2201	2524	2417	2820	3275	
WALL 1-DRAWER (2-DR) - 57" & 60" H																					
W1D24(H)DD	955	1194	1389	1540	1764	1540	1764	1845	2115	1845	2115	1935	2025	2115	2285	2318	2659	2546	2971	3353	
W1D27(H)	1074	1343	1562	1733	1984	1733	1984	2076	2379	2076	2379	2178	2278	2379	2569	2608	2992	2865	3343	3772	
W1D30(H)	1194	1492	1737	1925	2205	1925	2205	2307	2644	2307	2644	2418	2532	2644	2856	2898	3324	3182	3714	4191	
W1D33(H)	1314	1642	1910	2118	2425	2118	2425	2537	2909	2537	2909	2661	2785	2909	3141	3188	3657	3501	4086	4610	
W1D36(H)	1433	1791	2084	2310	2646	2310	2646	2768	3173	2768	3173	2904	3038	3173	3428	3478	3989	3819	4457	5030	

"(H)" Specify height

Wall Cabinets

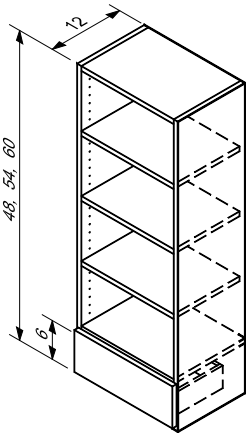
WALL BOOKCASE 1-DRAWER

Cabinet Height	Qty of Adj. Shelves
18" - 24"	0
24-1/4" - 33"	1
33-1/4" - 42"	2
42-1/4" - 54"	3
54-1/4" - 66"	4

- Finished interior (FMI)
- Exterior ends not finished
- Clear locking shelf clips are installed and nickel shelf clips are sent loose
- Height modifications made to upper/open area

MODIFICATION LIMITS

Width 12" - 27"
 Height 18" - 66"
 Depth 12" - 24"



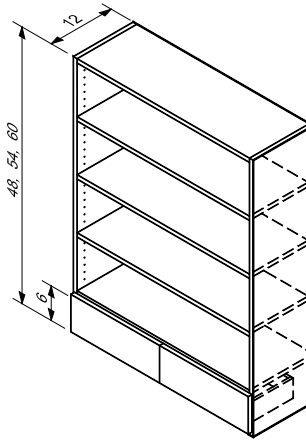
WBC1DWR

48" | 51" | 54" | 57" | 60" H

WBC1D12__
 WBC1D15__
 WBC1D18__
 WBC1D21__
 WBC1D24__
 WBC1D27__

MODIFICATION LIMITS

Width 27-1/4" - 36"
 Height 18" - 66"
 Depth 12" - 24"



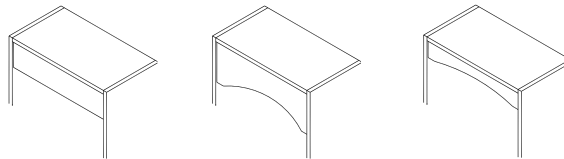
WBC2DWR

48" | 51" | 54" | 57" | 60" H

WBC1D30__
 WBC1D33__
 WBC1D36__

Optional Top Rail Valances

Available for all WBCs shown (See Modification section)



Wall Cabinets

	M0	M1	M2	M3	M3A	M4	M4A	M5	M5A	M6	M6A	M7	M8	M9	M10	M11	M11A	M13	M15	M16
WALL BOOKCASE 1-DRAWER - 48" H																				
WBC1D1248	712	890	890	890	890	890	890	890	890	890	890	1043	1043	890	962	1043	1043	1043	1043	1043
WBC1D1548	766	958	958	958	958	958	958	958	958	958	958	1111	1111	958	958	1111	1111	1111	1111	1111
WBC1D1848	821	1026	1026	1026	1026	1026	1026	1026	1026	1026	1026	1179	1179	1026	1026	1179	1179	1179	1179	1179
WBC1D2148	874	1092	1092	1092	1092	1092	1092	1092	1092	1092	1092	1245	1245	1092	1092	1245	1245	1245	1245	1245
WBC1D2448	928	1160	1160	1160	1160	1160	1160	1160	1160	1160	1160	1313	1313	1160	1160	1313	1313	1313	1313	1313
WBC1D2748	1045	1306	1306	1306	1306	1306	1306	1306	1306	1306	1306	1477	1477	1306	1306	1477	1477	1477	1477	1477
WBC1D3048	1160	1450	1450	1450	1450	1450	1450	1450	1450	1450	1450	1642	1642	1450	1450	1642	1642	1642	1642	1642
WBC1D3348	1277	1596	1596	1596	1596	1596	1596	1596	1596	1596	1596	1805	1805	1596	1596	1805	1805	1805	1805	1805
WBC1D3648	1392	1740	1740	1740	1740	1740	1740	1740	1740	1740	1740	1969	1969	1740	1740	1969	1969	1969	1969	1969
WALL BOOKCASE 1-DRAWER - 51" & 54" H																				
WBC1D12(H)	762	953	953	953	953	953	953	953	953	953	953	1106	1106	953	1029	1106	1106	1106	1106	1106
WBC1D15(H)	825	1031	1031	1031	1031	1031	1031	1031	1031	1031	1031	1184	1184	1031	1031	1184	1184	1184	1184	1184
WBC1D18(H)	887	1109	1109	1109	1109	1109	1109	1109	1109	1109	1109	1262	1262	1109	1109	1262	1262	1262	1262	1262
WBC1D21(H)	949	1186	1186	1186	1186	1186	1186	1186	1186	1186	1186	1338	1338	1186	1186	1338	1338	1338	1338	1338
WBC1D24(H)	1010	1262	1262	1262	1262	1262	1262	1262	1262	1262	1262	1414	1414	1262	1262	1414	1414	1414	1414	1414
WBC1D27(H)	1136	1420	1420	1420	1420	1420	1420	1420	1420	1420	1420	1591	1591	1420	1420	1591	1591	1591	1591	1591
WBC1D30(H)	1262	1577	1577	1577	1577	1577	1577	1577	1577	1577	1577	1769	1769	1577	1577	1769	1769	1769	1769	1769
WBC1D33(H)	1388	1735	1735	1735	1735	1735	1735	1735	1735	1735	1735	1945	1945	1735	1735	1945	1945	1945	1945	1945
WBC1D36(H)	1514	1893	1893	1893	1893	1893	1893	1893	1893	1893	1893	2122	2122	1893	1893	2122	2122	2122	2122	2122
WALL BOOKCASE 1-DRAWER - 57" & 60" H																				
WBC1D12(H)	809	1011	1011	1011	1011	1011	1011	1011	1011	1011	1011	1163	1163	1011	1092	1163	1163	1163	1163	1163
WBC1D15(H)	879	1099	1099	1099	1099	1099	1099	1099	1099	1099	1099	1252	1252	1099	1099	1252	1252	1252	1252	1252
WBC1D18(H)	947	1184	1184	1184	1184	1184	1184	1184	1184	1184	1184	1336	1336	1184	1184	1336	1336	1336	1336	1336
WBC1D21(H)	1015	1269	1269	1269	1269	1269	1269	1269	1269	1269	1269	1421	1421	1269	1269	1421	1421	1421	1421	1421
WBC1D24(H)	1082	1353	1353	1353	1353	1353	1353	1353	1353	1353	1353	1506	1506	1353	1353	1506	1506	1506	1506	1506
WBC1D27(H)	1218	1523	1523	1523	1523	1523	1523	1523	1523	1523	1523	1694	1694	1523	1523	1694	1694	1694	1694	1694
WBC1D30(H)	1354	1693	1693	1693	1693	1693	1693	1693	1693	1693	1693	1883	1883	1693	1693	1883	1883	1883	1883	1883
WBC1D33(H)	1489	1861	1861	1861	1861	1861	1861	1861	1861	1861	1861	2071	2071	1861	1861	2071	2071	2071	2071	2071
WBC1D36(H)	1624	2030	2030	2030	2030	2030	2030	2030	2030	2030	2030	2259	2259	2030	2030	2259	2259	2259	2259	2259

"(H)" Specify height

Wall Cabinets

* L or R required

WALL 2-DRAWER

Cabinet Height	Qty of Adj. Shelves
24" - 30"	0
30-1/4" - 39"	1
39-1/4" - 48"	2
48-1/4" - 54"	3
54-1/4" - 66"	4

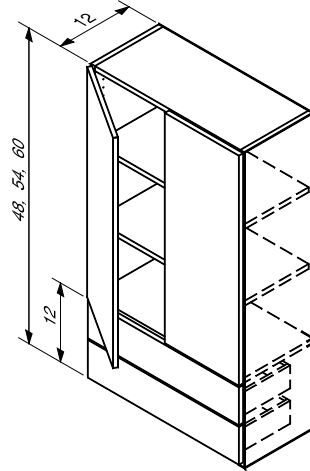
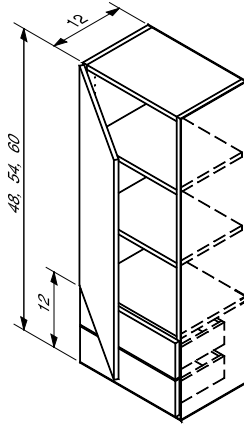
- Height modifications made in door area
- Exterior ends not finished

MODIFICATION LIMITS

Width 12" - 24"
 Height 24" - 66"
 Depth 12" - 24"

MODIFICATION LIMITS

Width 18" - 27"
 Height 24" - 66"
 Depth 12" - 24"



W1DRV2DWR W2DRV2DWR

48" | 51" | 54" | 57" | 60" H

W2D12_* W2D24_DD

W2D15_* W2D27__

W2D18_*

W2D21_*

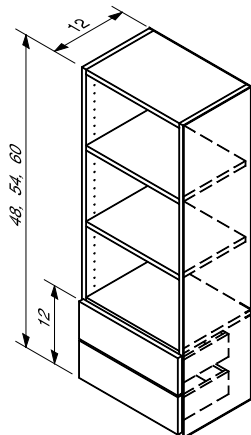
W2D24_*

WALL BOOKCASE 2-DRAWER

MODIFICATION LIMITS

Width 12" - 27"
 Height 24" - 66"
 Depth 12" - 24"

- See adj. shelf chart above
- Finished interior (FMI)
- Exterior ends not finished
- Clear locking shelf clips are installed and nickel shelf clips are sent loose
- Height modifications made to upper/open area



WBCV2DWR

48" | 51" | 54" | 57" | 60" H

WBC2D12__

WBC2D15__

WBC2D18__

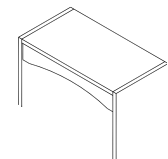
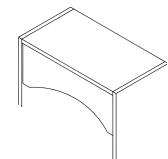
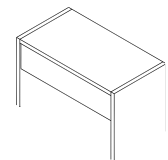
WBC2D21__

WBC2D24__

WBC2D27__

Optional Top Rail Valances

(See Modification section)



Wall Cabinets

* L or R required

	M0	M1	M2	M3	M3A	M4	M4A	M5	M5A	M6	M6A	M7	M8	M9	M10	M11	M11A	M13	M15	M16
WALL 2-DRAWER - 48" H																				
W2D1248*	726	907	982	1041	1191	1041	1191	1157	1323	1157	1323	1211	1267	1323	1430	1335	1530	1465	1706	1732
W2D1548*	774	968	1057	1126	1289	1126	1289	1274	1457	1274	1457	1335	1396	1457	1574	1503	1721	1649	1922	2006
W2D1848*	806	1007	1111	1196	1367	1196	1367	1369	1567	1369	1567	1435	1501	1567	1693	1652	1893	1811	2113	2259
W2D2148*	838	1048	1163	1262	1443	1262	1443	1464	1677	1464	1677	1535	1606	1677	1813	1798	2061	1972	2301	2513
W2D2448*	870	1087	1216	1330	1523	1330	1523	1560	1788	1560	1788	1635	1711	1788	1932	1945	2232	2135	2491	2770
W2D2448DD	939	1174	1323	1438	1649	1438	1649	1672	1916	1672	1916	1754	1835	1916	2071	2035	2334	2235	2607	2829
W2D2748	1057	1321	1489	1618	1855	1618	1855	1881	2156	1881	2156	1972	2064	2156	2330	2290	2625	2515	2932	3183
WALL 2-DRAWER - 51" & 54" H																				
W2D12(H)*	764	955	1038	1104	1264	1104	1264	1235	1413	1235	1413	1294	1353	1413	1526	1438	1647	1577	1838	1886
W2D15(H)*	818	1023	1123	1202	1375	1202	1375	1367	1565	1367	1565	1433	1499	1565	1691	1626	1866	1786	2083	2196
W2D18(H)*	854	1067	1184	1279	1464	1279	1464	1476	1689	1476	1689	1547	1618	1689	1825	1794	2057	1971	2298	2483
W2D21(H)*	891	1114	1243	1353	1550	1353	1550	1582	1815	1582	1815	1660	1737	1815	1961	1961	2247	2152	2510	2770
W2D24(H)*	926	1158	1303	1431	1640	1431	1640	1691	1939	1691	1939	1774	1855	1939	2095	2128	2441	2335	2725	3058
W2D24(H)DD	1004	1255	1425	1555	1781	1555	1781	1820	2086	1820	2086	1908	1996	2086	2254	2229	2558	2447	2856	3126
W2D27(H)	1130	1413	1603	1750	2003	1750	2003	2047	2347	2047	2347	2147	2246	2347	2536	2507	2878	2753	3214	3516
WALL 2-DRAWER - 57" & 60" H																				
W2D12(H)*	814	1018	1114	1191	1362	1191	1362	1340	1535	1340	1535	1404	1470	1535	1659	1574	1803	1727	2013	2091
W2D15(H)*	877	1096	1211	1303	1491	1303	1491	1492	1710	1492	1710	1565	1638	1710	1847	1793	2056	1967	2295	2449
W2D18(H)*	917	1146	1282	1391	1593	1391	1593	1618	1854	1618	1854	1696	1774	1854	2003	1986	2278	2181	2544	2780
W2D21(H)*	961	1201	1350	1477	1693	1477	1693	1742	1996	1742	1996	1827	1911	1996	2157	2178	2497	2390	2790	3110
W2D24(H)*	1002	1252	1420	1567	1794	1567	1794	1867	2140	1867	2140	1957	2049	2140	2312	2371	2719	2603	3038	3445
W2D24(H)DD	1091	1364	1559	1710	1959	1710	1959	2015	2310	2015	2310	2113	2212	2310	2495	2488	2854	2732	3188	3523
W2D27(H)	1228	1535	1754	1923	2203	1923	2203	2268	2598	2268	2598	2378	2488	2598	2807	2798	3211	3073	3587	3964

"(H)" Specify height

	M0	M1	M2	M3	M3A	M4	M4A	M5	M5A	M6	M6A	M7	M8	M9	M10	M11	M11A	M13	M15	M16
WALL BOOKCASE 2-DRAWER - 48" H																				
WBC2D1248	787	984	984	984	984	984	984	984	984	984	984	1289	1289	984	1063	1289	1289	1289	1289	1289
WBC2D1548	842	1052	1052	1052	1052	1052	1052	1052	1052	1052	1052	1357	1357	1052	1052	1357	1357	1357	1357	1357
WBC2D1848	895	1119	1119	1119	1119	1119	1119	1119	1119	1119	1119	1425	1425	1119	1119	1425	1425	1425	1425	1425
WBC2D2148	949	1186	1186	1186	1186	1186	1186	1186	1186	1186	1186	1491	1491	1186	1186	1491	1491	1491	1491	1491
WBC2D2448	1002	1253	1253	1253	1253	1253	1253	1253	1253	1253	1253	1559	1559	1253	1253	1559	1559	1559	1559	1559
WBC2D2748	1127	1409	1409	1409	1409	1409	1409	1409	1409	1409	1409	1754	1754	1409	1409	1754	1754	1754	1754	1754
WALL BOOKCASE 2-DRAWER - 51" & 54" H																				
WBC2D12(H)	837	1046	1046	1046	1046	1046	1046	1046	1046	1046	1046	1352	1352	1046	1131	1352	1352	1352	1352	1352
WBC2D15(H)	899	1124	1124	1124	1124	1124	1124	1124	1124	1124	1124	1430	1430	1124	1124	1430	1430	1430	1430	1430
WBC2D18(H)	962	1202	1202	1202	1202	1202	1202	1202	1202	1202	1202	1508	1508	1202	1202	1508	1508	1508	1508	1508
WBC2D21(H)	1023	1279	1279	1279	1279	1279	1279	1279	1279	1279	1279	1584	1584	1279	1279	1584	1584	1584	1584	1584
WBC2D24(H)	1084	1355	1355	1355	1355	1355	1355	1355	1355	1355	1355	1660	1660	1355	1355	1660	1660	1660	1660	1660
WBC2D27(H)	1220	1525	1525	1525	1525	1525	1525	1525	1525	1525	1525	1867	1867	1525	1525	1867	1867	1867	1867	1867
WALL BOOKCASE 2-DRAWER - 57" & 60" H																				
WBC2D12(H)	883	1104	1104	1104	1104	1104	1104	1104	1104	1104	1104	1409	1409	1104	1194	1409	1409	1409	1409	1409
WBC2D15(H)	954	1192	1192	1192	1192	1192	1192	1192	1192	1192	1192	1498	1498	1192	1192	1498	1498	1498	1498	1498
WBC2D18(H)	1022	1277	1277	1277	1277	1277	1277	1277	1277	1277	1277	1582	1582	1277	1277	1582	1582	1582	1582	1582
WBC2D21(H)	1090	1362	1362	1362	1362	1362	1362	1362	1362	1362	1362	1667	1667	1362	1362	1667	1667	1667	1667	1667
WBC2D24(H)	1158	1447	1447	1447	1447	1447	1447	1447	1447	1447	1447	1752	1752	1447	1447	1752	1752	1752	1752	1752
WBC2D27(H)	1302	1628	1628	1628	1628	1628	1628	1628	1628	1628	1628	1971	1971	1628	1628	1971	1971	1971	1971	1971

"(H)" Specify height

Wall Cabinets

* L or R required

WALL 3-DRAWER

Cabinet Height	Qty of Adj. Shelves
30" - 36"	0
36-1/4" - 45"	1
45-1/4" - 54"	2
54-1/4" - 66"	3

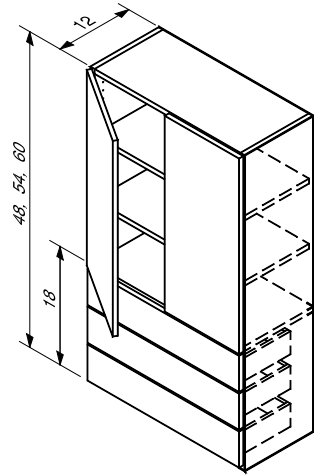
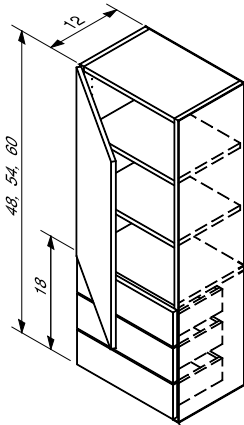
- Height modifications made in door area
- Exterior ends not finished

MODIFICATION LIMITS

Width 12" - 24"
 Height 30" - 66"
 Depth 12" - 24"

MODIFICATION LIMITS

Width 18" - 27"
 Height 30" - 66"
 Depth 12" - 24"



W1DRV3DWR W2DRV3DWR

48" | 51" | 54" | 57" | 60" H

W3D12_* W3D24_DD

W3D15_* W3D27__

W3D18_*

W3D21_*

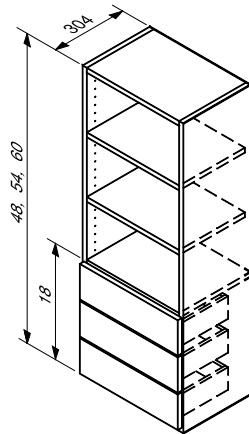
W3D24_*

WALL BOOKCASE 3-DRAWER

MODIFICATION LIMITS

Width 12" - 27"
 Height 30" - 66"
 Depth 12" - 24"

- See adj. shelf chart above
- Finished interior (FMI)
- Exterior ends not finished
- Clear locking shelf clips are installed and nickel shelf clips are sent loose
- Height modifications made to upper/open area



WBCV3DWR

48" | 51" | 54" | 57" | 60" H

WBC3D12__

WBC3D15__

WBC3D18__

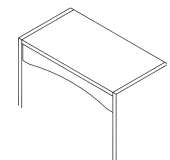
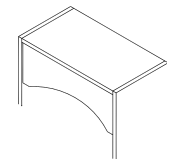
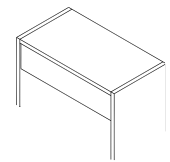
WBC3D21__

WBC3D24__

WBC3D27__

Optional Top Rail Valances

(See Modification section)



Wall Cabinets

* L or R required

	M0	M1	M2	M3	M3A	M4	M4A	M5	M5A	M6	M6A	M7	M8	M9	M10	M11	M11A	M13	M15	M16	
WALL 3-DRAWER - 48" H																					
W3D1248*	862	1077	1152	1211	1386	1211	1386	1326	1518	1326	1518	1389	1453	1518	1640	1504	1725	1652	1925	1901	
W3D1548*	910	1138	1226	1296	1484	1296	1484	1443	1652	1443	1652	1513	1582	1652	1784	1672	1916	1835	2140	2176	
W3D1848*	942	1177	1280	1365	1562	1365	1562	1538	1762	1538	1762	1613	1688	1762	1905	1822	2088	1998	2332	2429	
W3D2148*	974	1218	1333	1431	1638	1431	1638	1633	1872	1633	1872	1713	1793	1872	2023	1967	2256	2159	2520	2683	
W3D2448*	1006	1257	1386	1499	1718	1499	1718	1730	1983	1730	1983	1813	1898	1983	2142	2115	2427	2322	2710	2939	
W3D2448DD	1074	1343	1492	1608	1844	1608	1844	1842	2112	1842	2112	1932	2022	2112	2281	2205	2529	2422	2826	2999	
W3D2748	1209	1511	1679	1810	2074	1810	2074	2073	2376	2073	2376	2173	2274	2376	2566	2481	2844	2725	3178	3373	
WALL 3-DRAWER - 51" & 54" H																					
W3D12(H)*	899	1124	1208	1274	1459	1274	1459	1404	1608	1404	1608	1472	1540	1608	1737	1608	1842	1764	2056	2056	
W3D15(H)*	954	1192	1292	1372	1570	1372	1570	1537	1760	1537	1760	1611	1686	1760	1903	1796	2061	1972	2300	2366	
W3D18(H)*	989	1236	1353	1448	1659	1448	1659	1645	1884	1645	1884	1725	1805	1884	2035	1964	2252	2157	2515	2653	
W3D21(H)*	1027	1284	1413	1523	1745	1523	1745	1752	2010	1752	2010	1838	1923	2010	2171	2130	2442	2339	2729	2939	
W3D24(H)*	1062	1328	1472	1601	1835	1601	1835	1861	2134	1861	2134	1952	2042	2134	2305	2298	2636	2522	2944	3227	
W3D24(H)DD	1140	1425	1594	1725	1976	1725	1976	1989	2281	1989	2281	2086	2183	2281	2464	2398	2753	2634	3075	3295	
W3D27(H)	1282	1603	1794	1940	2223	1940	2223	2239	2566	2239	2566	2347	2456	2566	2773	2698	3097	2963	3460	3707	
WALL 3-DRAWER - 57" & 60" H																					
W3D12(H)*	950	1187	1284	1360	1557	1360	1557	1509	1730	1509	1730	1582	1657	1730	1869	1743	1998	1913	2232	2261	
W3D15(H)*	1012	1265	1381	1472	1686	1472	1686	1662	1905	1662	1905	1743	1825	1905	2057	1962	2251	2154	2513	2619	
W3D18(H)*	1053	1316	1452	1560	1788	1560	1788	1788	2049	1788	2049	1874	1961	2049	2213	2156	2473	2368	2763	2949	
W3D21(H)*	1096	1370	1520	1647	1888	1647	1888	1911	2191	1911	2191	2005	2098	2191	2368	2347	2692	2576	3007	3280	
W3D24(H)*	1137	1421	1589	1737	1989	1737	1989	2037	2335	2037	2335	2135	2235	2335	2524	2541	2914	2790	3256	3614	
W3D24(H)DD	1226	1533	1728	1879	2154	1879	2154	2184	2505	2184	2505	2291	2398	2505	2707	2658	3049	2919	3407	3692	
W3D27(H)	1380	1725	1944	2115	2424	2115	2424	2458	2819	2458	2819	2578	2698	2819	3046	2990	3431	3283	3833	4154	

"(H)" Specify height

	M0	M1	M2	M3	M3A	M4	M4A	M5	M5A	M6	M6A	M7	M8	M9	M10	M11	M11A	M13	M15	M16	
WALL BOOKCASE 3-DRAWER - 48" H																					
WBC3D1248	862	1077	1077	1077	1077	1077	1077	1077	1077	1077	1077	1535	1535	1077	1163	1535	1535	1535	1535	1535	
WBC3D1548	916	1145	1145	1145	1145	1145	1145	1145	1145	1145	1145	1603	1603	1145	1145	1603	1603	1603	1603	1603	
WBC3D1848	970	1213	1213	1213	1213	1213	1213	1213	1213	1213	1213	1671	1671	1213	1213	1671	1671	1671	1671	1671	
WBC3D2148	1023	1279	1279	1279	1279	1279	1279	1279	1279	1279	1279	1737	1737	1279	1279	1737	1737	1737	1737	1737	
WBC3D2448	1078	1347	1347	1347	1347	1347	1347	1347	1347	1347	1347	1805	1805	1347	1347	1805	1805	1805	1805	1805	
WBC3D2748	1212	1515	1515	1515	1515	1515	1515	1515	1515	1515	1515	2030	2030	1515	1515	2030	2030	2030	2030	2030	
WALL BOOKCASE 3-DRAWER - 51" & 54" H																					
WBC3D12(H)	912	1140	1140	1140	1140	1140	1140	1140	1140	1140	1140	1598	1598	1140	1231	1598	1598	1598	1598	1598	
WBC3D15(H)	974	1218	1218	1218	1218	1218	1218	1218	1218	1218	1218	1676	1676	1218	1218	1676	1676	1676	1676	1676	
WBC3D18(H)	1037	1296	1296	1296	1296	1296	1296	1296	1296	1296	1296	1754	1754	1296	1296	1754	1754	1754	1754	1754	
WBC3D21(H)	1098	1372	1372	1372	1372	1372	1372	1372	1372	1372	1372	1830	1830	1372	1372	1830	1830	1830	1830	1830	
WBC3D24(H)	1158	1448	1448	1448	1448	1448	1448	1448	1448	1448	1448	1906	1906	1448	1448	1906	1906	1906	1906	1906	
WBC3D27(H)	1304	1630	1630	1630	1630	1630	1630	1630	1630	1630	1630	2145	2145	1630	1630	2145	2145	2145	2145	2145	
WALL BOOKCASE 3-DRAWER - 57" & 60" H																					
WBC3D12(H)	958	1197	1197	1197	1197	1197	1197	1197	1197	1197	1197	1655	1655	1197	1294	1655	1655	1655	1655	1655	
WBC3D15(H)	1029	1286	1286	1286	1286	1286	1286	1286	1286	1286	1286	1743	1743	1286	1286	1743	1743	1743	1743	1743	
WBC3D18(H)	1096	1370	1370	1370	1370	1370	1370	1370	1370	1370	1370	1828	1828	1370	1370	1828	1828	1828	1828	1828	
WBC3D21(H)	1164	1455	1455	1455	1455	1455	1455	1455	1455	1455	1455	1913	1913	1455	1455	1913	1913	1913	1913	1913	
WBC3D24(H)	1232	1540	1540	1540	1540	1540	1540	1540	1540	1540	1540	1998	1998	1540	1540	1998	1998	1998	1998	1998	
WBC3D27(H)	1386	1733	1733	1733	1733	1733	1733	1733	1733	1733	1733	2247	2247	1733	1733	2247	2247	2247	2247	2247	

"(H)" Specify height

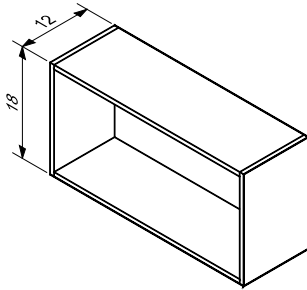
Wall Cabinets

WALL BOOKCASE – 18" H

MODIFICATION LIMITS

Width 12" – 36"
 Height 12" – 18"
 Depth 6" – 24"

- No adjustable shelf
- Constructed of 3/4" thick edge-taped material
- Finished interior (FMI)
- Exterior ends not finished



WBC

18" H

WBC1218
 WBC1518
 WBC1818
 WBC2118
 WBC2418
 WBC2718
 WBC3018
 WBC3318
 WBC3618

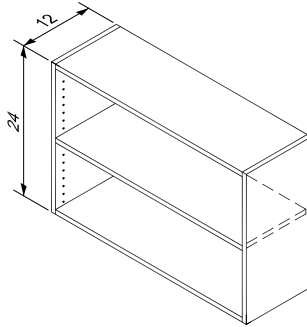
WALL BOOKCASE – 24" H

MODIFICATION LIMITS

Width 12" – 36"
 Height 18-1/4" – 27"
 Depth 6" – 24"

- See notes above
- One adjustable shelf

- Clear locking shelf clips are installed and nickel shelf clips are sent loose



WBC

24" H

WBC1224
 WBC1524
 WBC1824
 WBC2124
 WBC2424
 WBC2724
 WBC3024
 WBC3324
 WBC3624

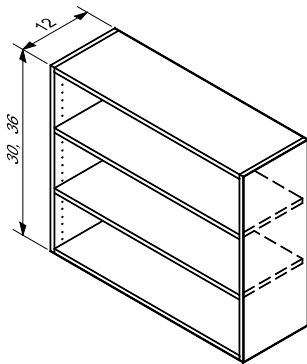
WALL BOOKCASE – 30", 33" & 36" H

MODIFICATION LIMITS

Width 12" – 36"
 Height 27-1/4" – 36"
 Depth 6" – 24"

- See notes above
- Two adjustable shelves

- Clear locking shelf clips are installed and nickel shelf clips are sent loose



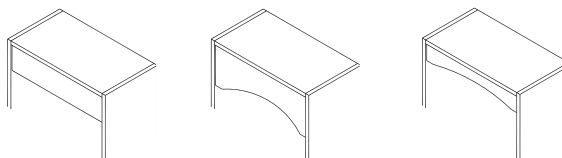
WBC

30" | 33" | 36" H

WBC12__
 WBC15__
 WBC18__
 WBC21__
 WBC24__
 WBC27__
 WBC30__
 WBC33__
 WBC36__

Optional Top Rail Valances

Available for all WBCs shown (See Modification section)



Wall Cabinets

	M0	M1	M2	M3	M3A	M4	M4A	M5	M5A	M6	M6A	M7	M8	M9	M10	M11	M11A	M13	M15	M16	
WALL BOOKCASE – 18" H																					
WBC1218	380	380	380	380	380	380	380	380	380	380	380	380	380	380	412	380	380	380	380	380	
WBC1518	417	417	417	417	417	417	417	417	417	417	417	417	417	417	417	417	417	417	417	417	
WBC1818	449	449	449	449	449	449	449	449	449	449	449	449	449	449	449	449	449	449	449	449	
WBC2118	477	477	477	477	477	477	477	477	477	477	477	477	477	477	477	477	477	477	477	477	
WBC2418	514	514	514	514	514	514	514	514	514	514	514	514	514	514	514	514	514	514	514	514	
WBC2718	546	546	546	546	546	546	546	546	546	546	546	546	546	546	546	546	546	546	546	546	
WBC3018	582	582	582	582	582	582	582	582	582	582	582	582	582	582	582	582	582	582	582	582	
WBC3318	614	614	614	614	614	614	614	614	614	614	614	614	614	614	614	614	614	614	614	614	
WBC3618	646	646	646	646	646	646	646	646	646	646	646	646	646	646	646	646	646	646	646	646	
WALL BOOKCASE – 24" H																					
WBC1224	407	407	407	407	407	407	407	407	407	407	407	407	407	407	441	407	407	407	407	407	
WBC1524	444	444	444	444	444	444	444	444	444	444	444	444	444	444	444	444	444	444	444	444	
WBC1824	478	478	478	478	478	478	478	478	478	478	478	478	478	478	478	478	478	478	478	478	
WBC2124	509	509	509	509	509	509	509	509	509	509	509	509	509	509	509	509	509	509	509	509	
WBC2424	546	546	546	546	546	546	546	546	546	546	546	546	546	546	546	546	546	546	546	546	
WBC2724	580	580	580	580	580	580	580	580	580	580	580	580	580	580	580	580	580	580	580	580	
WBC3024	616	616	616	616	616	616	616	616	616	616	616	616	616	616	616	616	616	616	616	616	
WBC3324	650	650	650	650	650	650	650	650	650	650	650	650	650	650	650	650	650	650	650	650	
WBC3624	683	683	683	683	683	683	683	683	683	683	683	683	683	683	683	683	683	683	683	683	
WALL BOOKCASE – 30" H																					
WBC1230	434	434	434	434	434	434	434	434	434	434	434	434	434	434	470	434	434	434	434	434	
WBC1530	471	471	471	471	471	471	471	471	471	471	471	471	471	471	471	471	471	471	471	471	
WBC1830	507	507	507	507	507	507	507	507	507	507	507	507	507	507	507	507	507	507	507	507	
WBC2130	541	541	541	541	541	541	541	541	541	541	541	541	541	541	541	541	541	541	541	541	
WBC2430	578	578	578	578	578	578	578	578	578	578	578	578	578	578	578	578	578	578	578	578	
WBC2730	614	614	614	614	614	614	614	614	614	614	614	614	614	614	614	614	614	614	614	614	
WBC3030	650	650	650	650	650	650	650	650	650	650	650	650	650	650	650	650	650	650	650	650	
WBC3330	685	685	685	685	685	685	685	685	685	685	685	685	685	685	685	685	685	685	685	685	
WBC3630	721	721	721	721	721	721	721	721	721	721	721	721	721	721	721	721	721	721	721	721	
WALL BOOKCASE – 33" & 36" H																					
WBC12(H)	461	461	461	461	461	461	461	461	461	461	461	461	461	461	461	461	461	461	461	461	
WBC15(H)	499	499	499	499	499	499	499	499	499	499	499	499	499	499	499	499	499	499	499	499	
WBC18(H)	536	536	536	536	536	536	536	536	536	536	536	536	536	536	536	536	536	536	536	536	
WBC21(H)	573	573	573	573	573	573	573	573	573	573	573	573	573	573	573	573	573	573	573	573	
WBC24(H)	611	611	611	611	611	611	611	611	611	611	611	611	611	611	611	611	611	611	611	611	
WBC27(H)	648	648	648	648	648	648	648	648	648	648	648	648	648	648	648	648	648	648	648	648	
WBC30(H)	683	683	683	683	683	683	683	683	683	683	683	683	683	683	683	683	683	683	683	683	
WBC33(H)	721	721	721	721	721	721	721	721	721	721	721	721	721	721	721	721	721	721	721	721	
WBC36(H)	758	758	758	758	758	758	758	758	758	758	758	758	758	758	758	758	758	758	758	758	

"(H)" Specify height

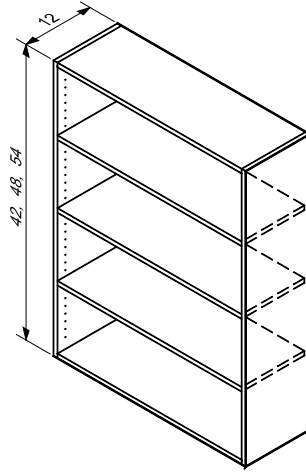
Wall Cabinets

WALL BOOKCASE – 39" to 54" H

MODIFICATION LIMITS

Width 12" – 36"
 Height 36-1/4" – 54"
 Depth 6" – 24"

- Three adjustable shelves
- Constructed of 3/4" thick edge-taped material
- Finished interior (FMI)
- Exterior ends not finished
- Clear locking shelf clips are installed and nickel shelf clips are sent loose



WBC

39" | 42" | 45" | 48" | 51" | 54" H

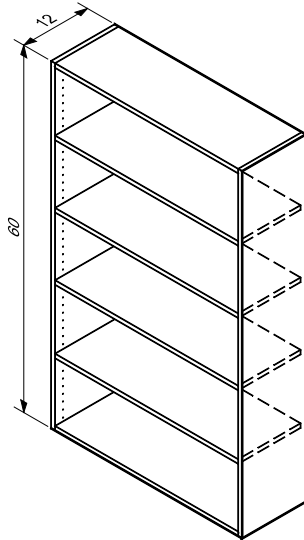
- WBC12__
- WBC15__
- WBC18__
- WBC21__
- WBC24__
- WBC27__
- WBC30__
- WBC33__
- WBC36__

WALL BOOKCASE – 57" & 60" H

MODIFICATION LIMITS

Width 12" – 36"
 Height 54-1/4" – 66"
 Depth 6" – 24"

- See notes above
- Four adjustable shelves



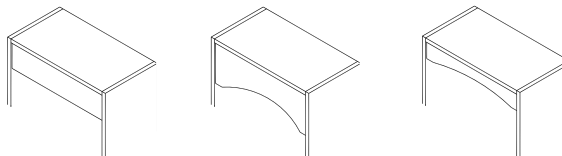
WBC

57 | 60" H

- WBC12__
- WBC15__
- WBC18__
- WBC21__
- WBC24__
- WBC27__
- WBC30__
- WBC33__
- WBC36__

Optional Top Rail Valances

Available for all WBCs shown (See Modification section)



Wall Cabinets

	M0	M1	M2	M3	M3A	M4	M4A	M5	M5A	M6	M6A	M7	M8	M9	M10	M11	M11A	M13	M15	M16
WALL BOOKCASE – 39" & 42" H																				
WBC12(H)	510	510	510	510	510	510	510	510	510	510	510	510	510	510	510	510	510	510	510	510
WBC15(H)	556	556	556	556	556	556	556	556	556	556	556	556	556	556	556	556	556	556	556	556
WBC18(H)	602	602	602	602	602	602	602	602	602	602	602	602	602	602	602	602	602	602	602	602
WBC21(H)	646	646	646	646	646	646	646	646	646	646	646	646	646	646	646	646	646	646	646	646
WBC24(H)	690	690	690	690	690	690	690	690	690	690	690	690	690	690	690	690	690	690	690	690
WBC27(H)	734	734	734	734	734	734	734	734	734	734	734	734	734	734	734	734	734	734	734	734
WBC30(H)	780	780	780	780	780	780	780	780	780	780	780	780	780	780	780	780	780	780	780	780
WBC33(H)	824	824	824	824	824	824	824	824	824	824	824	824	824	824	824	824	824	824	824	824
WBC36(H)	868	868	868	868	868	868	868	868	868	868	868	868	868	868	868	868	868	868	868	868
WALL BOOKCASE – 45" & 48" H																				
WBC12(H)	721	721	721	721	721	721	721	721	721	721	721	721	721	721	721	721	721	721	721	721
WBC15(H)	789	789	789	789	789	789	789	789	789	789	789	789	789	789	789	789	789	789	789	789
WBC18(H)	856	856	856	856	856	856	856	856	856	856	856	856	856	856	856	856	856	856	856	856
WBC21(H)	923	923	923	923	923	923	923	923	923	923	923	923	923	923	923	923	923	923	923	923
WBC24(H)	990	990	990	990	990	990	990	990	990	990	990	990	990	990	990	990	990	990	990	990
WBC27(H)	1057	1057	1057	1057	1057	1057	1057	1057	1057	1057	1057	1057	1057	1057	1057	1057	1057	1057	1057	1057
WBC30(H)	1126	1126	1126	1126	1126	1126	1126	1126	1126	1126	1126	1126	1126	1126	1126	1126	1126	1126	1126	1126
WBC33(H)	1192	1192	1192	1192	1192	1192	1192	1192	1192	1192	1192	1192	1192	1192	1192	1192	1192	1192	1192	1192
WBC36(H)	1258	1258	1258	1258	1258	1258	1258	1258	1258	1258	1258	1258	1258	1258	1258	1258	1258	1258	1258	1258
WALL BOOKCASE – 51" & 54" H																				
WBC12(H)	784	784	784	784	784	784	784	784	784	784	784	784	784	784	784	784	784	784	784	784
WBC18(H)	862	862	862	862	862	862	862	862	862	862	862	862	862	862	862	862	862	862	862	862
WBC15(H)	940	940	940	940	940	940	940	940	940	940	940	940	940	940	940	940	940	940	940	940
WBC21(H)	1016	1016	1016	1016	1016	1016	1016	1016	1016	1016	1016	1016	1016	1016	1016	1016	1016	1016	1016	1016
WBC24(H)	1092	1092	1092	1092	1092	1092	1092	1092	1092	1092	1092	1092	1092	1092	1092	1092	1092	1092	1092	1092
WBC27(H)	1170	1170	1170	1170	1170	1170	1170	1170	1170	1170	1170	1170	1170	1170	1170	1170	1170	1170	1170	1170
WBC30(H)	1250	1250	1250	1250	1250	1250	1250	1250	1250	1250	1250	1250	1250	1250	1250	1250	1250	1250	1250	1250
WBC33(H)	1325	1325	1325	1325	1325	1325	1325	1325	1325	1325	1325	1325	1325	1325	1325	1325	1325	1325	1325	1325
WBC36(H)	1403	1403	1403	1403	1403	1403	1403	1403	1403	1403	1403	1403	1403	1403	1403	1403	1403	1403	1403	1403
WALL BOOKCASE – 57" & 60" H																				
WBC12(H)	841	841	841	841	841	841	841	841	841	841	841	841	841	841	841	841	841	841	841	841
WBC15(H)	929	929	929	929	929	929	929	929	929	929	929	929	929	929	929	929	929	929	929	929
WBC18(H)	1014	1014	1014	1014	1014	1014	1014	1014	1014	1014	1014	1014	1014	1014	1014	1014	1014	1014	1014	1014
WBC21(H)	1099	1099	1099	1099	1099	1099	1099	1099	1099	1099	1099	1099	1099	1099	1099	1099	1099	1099	1099	1099
WBC24(H)	1184	1184	1184	1184	1184	1184	1184	1184	1184	1184	1184	1184	1184	1184	1184	1184	1184	1184	1184	1184
WBC27(H)	1269	1269	1269	1269	1269	1269	1269	1269	1269	1269	1269	1269	1269	1269	1269	1269	1269	1269	1269	1269
WBC30(H)	1357	1357	1357	1357	1357	1357	1357	1357	1357	1357	1357	1357	1357	1357	1357	1357	1357	1357	1357	1357
WBC33(H)	1440	1440	1440	1440	1440	1440	1440	1440	1440	1440	1440	1440	1440	1440	1440	1440	1440	1440	1440	1440
WBC36(H)	1525	1525	1525	1525	1525	1525	1525	1525	1525	1525	1525	1525	1525	1525	1525	1525	1525	1525	1525	1525

"(H)" Specify height

Wall Cabinets

WALL HUTCH CABINET 48", 51", 54" H

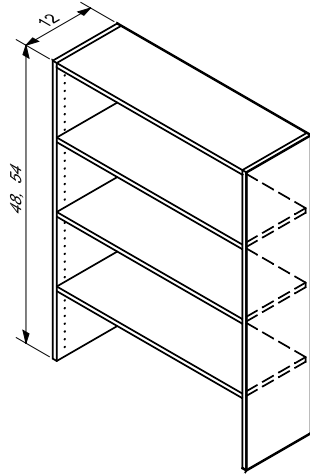
MODIFICATION LIMITS

Width 12" – 36"

Height 36-1/4" – 54"

Depth 6" – 24"

- Three adjustable shelves
- Constructed of 3/4" thick edge-taped material
- Finished interior (FMI)
- Exterior ends are not finished
- Clear locking shelf clips are installed and nickel shelf clips are sent loose



• Important:

Must be secured to counter to prevent ends from spreading and shelves from falling

WHC

48" | 51" | 54" H

WHC12__

WHC15__

WHC18__

WHC21__

WHC24__

WHC27__

WHC30__

WHC33__

WHC36__

WALL HUTCH CABINET – 57" & 60" H

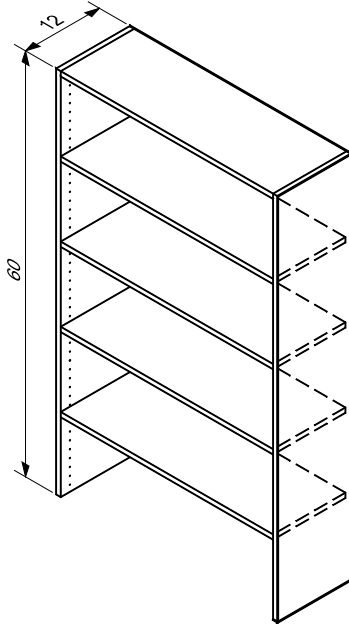
MODIFICATION LIMITS

Width 12" – 36"

Height 54-1/4" – 66"

Depth 6" – 24"

- See notes above
- Four adjustable shelves



• Important:

Must be secured to counter to prevent ends from spreading and shelves from falling

WHC

57" | 60" H

WHC12__

WHC15__

WHC18__

WHC21__

WHC24__

WHC27__

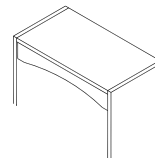
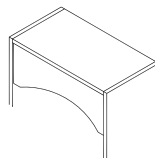
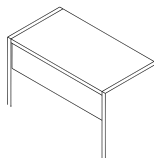
WHC30__

WHC33__

WHC36__

Optional Top Rail Valances

Available for all WHCs shown (See Modification section)



Wall Cabinets

	M0	M1	M2	M3	M3A	M4	M4A	M5	M5A	M6	M6A	M7	M8	M9	M10	M11	M11A	M13	M15	M16	
WALL HUTCH CABINET – 48" H																					
WHC1248	721	721	721	721	721	721	721	721	721	721	721	721	721	721	778	721	721	721	721	721	721
WHC1548	789	789	789	789	789	789	789	789	789	789	789	789	789	789	789	789	789	789	789	789	789
WHC1848	856	856	856	856	856	856	856	856	856	856	856	856	856	856	856	856	856	856	856	856	856
WHC2148	923	923	923	923	923	923	923	923	923	923	923	923	923	923	923	923	923	923	923	923	923
WHC2448	990	990	990	990	990	990	990	990	990	990	990	990	990	990	990	990	990	990	990	990	990
WHC2748	1057	1057	1057	1057	1057	1057	1057	1057	1057	1057	1057	1057	1057	1057	1057	1057	1057	1057	1057	1057	1057
WHC3048	1126	1126	1126	1126	1126	1126	1126	1126	1126	1126	1126	1126	1126	1126	1126	1126	1126	1126	1126	1126	1126
WHC3348	1192	1192	1192	1192	1192	1192	1192	1192	1192	1192	1192	1192	1192	1192	1192	1192	1192	1192	1192	1192	1192
WHC3648	1258	1258	1258	1258	1258	1258	1258	1258	1258	1258	1258	1258	1258	1258	1258	1258	1258	1258	1258	1258	1258
WALL HUTCH CABINET – 51" & 54" H																					
WHC12(H)	785	785	785	785	785	785	785	785	785	785	785	785	785	785	850	785	785	785	785	785	785
WHC15(H)	862	862	862	862	862	862	862	862	862	862	862	862	862	862	862	862	862	862	862	862	862
WHC18(H)	940	940	940	940	940	940	940	940	940	940	940	940	940	940	940	940	940	940	940	940	940
WHC21(H)	1016	1016	1016	1016	1016	1016	1016	1016	1016	1016	1016	1016	1016	1016	1016	1016	1016	1016	1016	1016	1016
WHC24(H)	1092	1092	1092	1092	1092	1092	1092	1092	1092	1092	1092	1092	1092	1092	1092	1092	1092	1092	1092	1092	1092
WHC27(H)	1170	1170	1170	1170	1170	1170	1170	1170	1170	1170	1170	1170	1170	1170	1170	1170	1170	1170	1170	1170	1170
WHC30(H)	1250	1250	1250	1250	1250	1250	1250	1250	1250	1250	1250	1250	1250	1250	1250	1250	1250	1250	1250	1250	1250
WHC33(H)	1325	1325	1325	1325	1325	1325	1325	1325	1325	1325	1325	1325	1325	1325	1325	1325	1325	1325	1325	1325	1325
WHC36(H)	1403	1403	1403	1403	1403	1403	1403	1403	1403	1403	1403	1403	1403	1403	1403	1403	1403	1403	1403	1403	1403
WALL HUTCH CABINET – 57" & 60" H																					
WHC12(H)	845	845	845	845	845	845	845	845	845	845	845	845	845	845	912	845	845	845	845	845	845
WHC15(H)	929	929	929	929	929	929	929	929	929	929	929	929	929	929	929	929	929	929	929	929	929
WHC18(H)	1014	1014	1014	1014	1014	1014	1014	1014	1014	1014	1014	1014	1014	1014	1014	1014	1014	1014	1014	1014	1014
WHC21(H)	1099	1099	1099	1099	1099	1099	1099	1099	1099	1099	1099	1099	1099	1099	1099	1099	1099	1099	1099	1099	1099
WHC24(H)	1184	1184	1184	1184	1184	1184	1184	1184	1184	1184	1184	1184	1184	1184	1184	1184	1184	1184	1184	1184	1184
WHC27(H)	1269	1269	1269	1269	1269	1269	1269	1269	1269	1269	1269	1269	1269	1269	1269	1269	1269	1269	1269	1269	1269
WHC30(H)	1357	1357	1357	1357	1357	1357	1357	1357	1357	1357	1357	1357	1357	1357	1357	1357	1357	1357	1357	1357	1357
WHC33(H)	1440	1440	1440	1440	1440	1440	1440	1440	1440	1440	1440	1440	1440	1440	1440	1440	1440	1440	1440	1440	1440
WHC36(H)	1525	1525	1525	1525	1525	1525	1525	1525	1525	1525	1525	1525	1525	1525	1525	1525	1525	1525	1525	1525	1525

"(H)" Specify height

Wall Cabinets

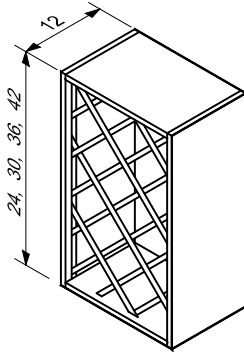
WALL WINE RACK – LATTICE

- Finished interior (FMI)
- Lattice is recessed 3/4" from face of cabinet to allow bottle necks to overhang
- When depth is increased: distance from face of cabinet to lattice does not change
- False back installed when depth is 15" or more

- Clear material used when Rustic wood species are ordered
- **Not available:** Bamboo, Black Walnut, Exotic Wood Veneer, Foil, Greenlam, Rift White Oak, Sapele and Thermo Structured Surface (TSS) doors

MODIFICATION LIMITS

Width 15" – 24"
 Height 15" – 42"
 Depth 12" – 24"

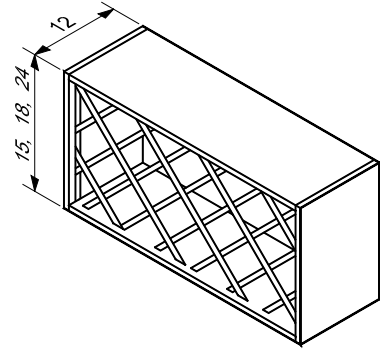


Vertical cabinet

WWRL	Approximate Bottle Capacity
24" H	
WWRL1524	7
WWRL1824	8
WWRL2124	8
WWRL2424	13
30" H	
WWRL1530	10
WWRL1830	11
WWRL2130	11
WWRL2430	18
33" & 36" H	
WWRL15__	13
WWRL18__	15
WWRL21__	23
WWRL24__	23
39" & 42" H	
WWRL15__	16
WWRL18__	17
WWRL21__	28
WWRL24__	28

MODIFICATION LIMITS

Width 24-1/4" – 42"
 Height 15" – 24"
 Depth 12" – 24"



Horizontal cabinet

WWRL	Approximate Bottle Capacity
15" H	
WWRL3015	7
WWRL3315	8
WWRL3615	9
WWRL3915	10
18" H	
WWRL3018	10
WWRL3318	12
WWRL3618	14
WWRL3918	15
24" H	
WWRL3024	17
WWRL3324	20
WWRL3624	23
WWRL3924	25

Wall Cabinets

	M0	M1	M2	M3	M3A	M4	M4A	M5	M5A	M6	M6A	M7	M8	M9	M10	M11	M11A	M13	M15	M16
WALL WINE RACK – LATTICE - 15" H																				
WWRL3015	673	673	673	673	673	673	673	673	673	673	673	673	673	673	728	736	736	736	673	736
WWRL3315	724	724	724	724	724	724	724	724	724	724	724	724	724	724	784	792	792	792	724	792
WWRL3615	773	773	773	773	773	773	773	773	773	773	773	773	773	773	836	846	846	846	773	846
WWRL3915	840	840	840	840	840	840	840	840	840	840	840	840	840	840	907	919	919	919	840	919
WALL WINE RACK – LATTICE - 18" H																				
WWRL3018	738	738	738	738	738	738	738	738	738	738	738	738	738	738	797	807	807	807	738	807
WWRL3318	792	792	792	792	792	792	792	792	792	792	792	792	792	792	856	867	867	867	792	867
WWRL3618	846	846	846	846	846	846	846	846	846	846	846	846	846	846	914	926	926	926	846	926
WWRL3918	921	921	921	921	921	921	921	921	921	921	921	921	921	921	996	1009	1009	1009	921	1009
WALL WINE RACK – LATTICE - 24" H																				
WWRL1524	648	648	648	648	648	648	648	648	648	648	648	648	648	648	700	709	709	709	648	709
WWRL1824	746	746	746	746	746	746	746	746	746	746	746	746	746	746	807	817	817	817	746	817
WWRL2124	845	845	845	845	845	845	845	845	845	845	845	845	845	845	912	924	924	924	845	924
WWRL2424	957	957	957	957	957	957	957	957	957	957	957	957	957	957	1035	1048	1048	1048	957	1048
WWRL3024	1014	1014	1014	1014	1014	1014	1014	1014	1014	1014	1014	1014	1014	1014	1096	1111	1111	1111	1014	1111
WWRL3324	1096	1096	1096	1096	1096	1096	1096	1096	1096	1096	1096	1096	1096	1096	1184	1201	1201	1201	1096	1201
WWRL3624	1175	1175	1175	1175	1175	1175	1175	1175	1175	1175	1175	1175	1175	1175	1270	1289	1289	1289	1175	1289
WWRL3924	1284	1284	1284	1284	1284	1284	1284	1284	1284	1284	1284	1284	1284	1284	1387	1408	1408	1408	1284	1408
WALL WINE RACK – LATTICE - 30" H																				
WWRL1530	733	733	733	733	733	733	733	733	733	733	733	733	733	792	802	802	802	733	802	802
WWRL1830	831	831	831	831	831	831	831	831	831	831	831	831	831	899	911	911	911	831	911	911
WWRL2130	929	929	929	929	929	929	929	929	929	929	929	929	929	1004	1018	1018	1018	929	1018	1018
WWRL2430	1041	1041	1041	1041	1041	1041	1041	1041	1041	1041	1041	1041	1041	1126	1141	1141	1141	1041	1141	1141
WALL WINE RACK – LATTICE - 33" & 36" H																				
WWRL15(H)	802	802	802	802	802	802	802	802	802	802	802	802	802	867	879	879	879	802	879	879
WWRL18(H)	911	911	911	911	911	911	911	911	911	911	911	911	911	984	997	997	997	911	997	997
WWRL21(H)	1019	1019	1019	1019	1019	1019	1019	1019	1019	1019	1019	1019	1019	1102	1118	1118	1118	1019	1118	1118
WWRL24(H)	1141	1141	1141	1141	1141	1141	1141	1141	1141	1141	1141	1141	1141	1233	1252	1252	1252	1141	1252	1252
WALL WINE RACK – LATTICE - 39" & 42" H																				
WWRL15(H)	914	914	914	914	914	914	914	914	914	914	914	914	914	989	1001	1001	1001	914	1001	1001
WWRL18(H)	1041	1041	1041	1041	1041	1041	1041	1041	1041	1041	1041	1041	1041	1126	1141	1141	1141	1041	1141	1141
WWRL21(H)	1169	1169	1169	1169	1169	1169	1169	1169	1169	1169	1169	1169	1169	1264	1280	1280	1280	1169	1280	1280
WWRL24(H)	1313	1313	1313	1313	1313	1313	1313	1313	1313	1313	1313	1313	1313	1418	1440	1440	1440	1313	1440	1440

"(H)" Specify height

Wall Cabinets

* L or R required

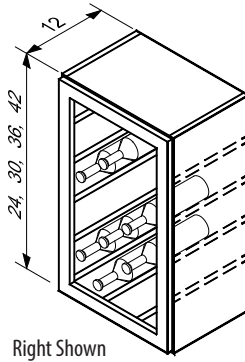
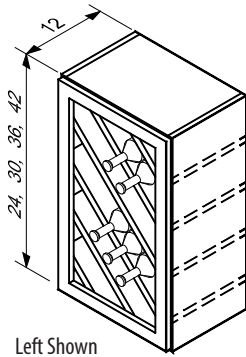
WALL WINE RACK – DIAGONAL

MODIFICATION LIMITS

Width	No width mods
Height	No height mods
Depth	12" – 15"

- Finished interior (FMI)
- Distance between shelves is always 4"
- Number of shelves depends on height of cabinet
- Interior edge detail of door face has eased edge
- Exterior edge detail of door face matches door style ordered
- Right or Left orientation determined by high side of shelves (see images below)

- Door face (1-3/4" stiles and rails) is hinged on same side as orientation specified
- Only one side of cabinet may have an Integral Finished End (IFE)
 - Left IFE on left orientation cabinet or right IFE on right orientation cabinet
- **Not available:** Roman, Mitered, Exotic Wood Veneer, Acrylic, Foil, Super Matte, Laminate, Greenlam, Thermofoil and TSS



WWRD (L/R)	Approximate Bottle Capacity
24" H	
WWRD1224*	8
WWRD1524*	11
WWRD1824*	14
30" H	
WWRD1230*	12
WWRD1530*	15
WWRD1830*	19
33" & 36" H	
WWRD12__*	14
WWRD15__*	18
WWRD18__*	23
39" & 42" H	
WWRD12__*	17
WWRD15__*	22
WWRD18__*	28

WALL WINE RACK – X GRID

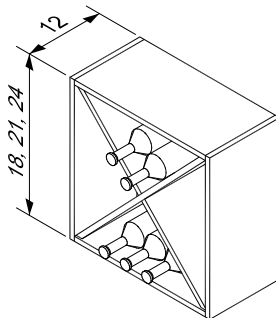
MODIFICATION LIMITS

No Modifications

- Finished interior (FMI)
- Bottle capacity based on 3" diameter bottles
- **Note:** Installed top rail valances not allowed

Design Note:

- Strata door style - cabinet will match vertical stile finish and material only



WWRX	MSRP	Approximate Bottle Capacity
WxH		
WWRX1818	1243	17
WWRX2121	1277	26
WWRX2424	1318	39

Wall Cabinets

* L or R required

	M0	M1	M2	M3	M3A	M4	M4A	M5	M5A	M6	M6A	M7	M8	M9	M10	M11	M11A	M13	M15	M16	
WALL WINE RACK – DIAGONAL - 24" H																					
WWRD1224*	1900	1900	1900	1900	1900	1900	1900	1900	1900	1900	1900	1900	1900	1900	2052	2086	2086	2086	1900	2086	2086
WWRD1524*	2027	2027	2027	2027	2027	2027	2027	2027	2027	2027	2027	2027	2027	2027	2190	2225	2225	2225	2027	2225	2225
WWRD1824*	2154	2154	2154	2154	2154	2154	2154	2154	2154	2154	2154	2154	2154	2154	2327	2366	2366	2366	2154	2366	2366
WALL WINE RACK – DIAGONAL - 30" H																					
WWRD1230*	2154	2154	2154	2154	2154	2154	2154	2154	2154	2154	2154	2154	2154	2154	2327	2366	2366	2366	2154	2366	2366
WWRD1530*	2281	2281	2281	2281	2281	2281	2281	2281	2281	2281	2281	2281	2281	2281	2464	2505	2505	2505	2281	2505	2505
WWRD1830*	2408	2408	2408	2408	2408	2408	2408	2408	2408	2408	2408	2408	2408	2408	2602	2646	2646	2646	2408	2646	2646
WALL WINE RACK – DIAGONAL - 33" & 36" H																					
WWRD12(H)*	2393	2393	2393	2393	2393	2393	2393	2393	2393	2393	2393	2393	2393	2393	2585	2629	2629	2629	2393	2629	2629
WWRD15(H)*	2520	2520	2520	2520	2520	2520	2520	2520	2520	2520	2520	2520	2520	2520	2722	2768	2768	2768	2520	2768	2768
WWRD18(H)*	2647	2647	2647	2647	2647	2647	2647	2647	2647	2647	2647	2647	2647	2647	2859	2909	2909	2909	2647	2909	2909
WALL WINE RACK – DIAGONAL - 39" & 42" H																					
WWRD12(H)*	2785	2785	2785	2785	2785	2785	2785	2785	2785	2785	2785	2785	2785	2785	3009	3060	3060	3060	2785	3060	3060
WWRD15(H)*	2912	2912	2912	2912	2912	2912	2912	2912	2912	2912	2912	2912	2912	2912	3146	3199	3199	3199	2912	3199	3199
WWRD18(H)*	3039	3039	3039	3039	3039	3039	3039	3039	3039	3039	3039	3039	3039	3039	3283	3339	3339	3339	3039	3339	3339

"(H)" Specify height

Wall Cabinets

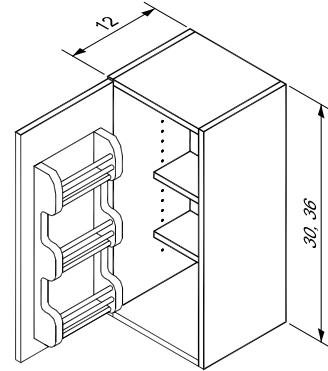
* L or R required

WALL SPICE RACK WOOD

MODIFICATION LIMITS

No Modifications

- Door spice rack: three fixed shelves, hardwood with natural wood finish
- Adjustable shelves inside of cabinet are 7-5/16" deep to accommodate spice rack



WSRW

30" | 36" H

WSRW15__*

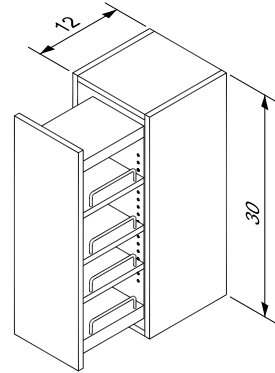
WSRW18__*

WALL PANTRY PULL-OUT

MODIFICATION LIMITS

No Modifications

- Pull-out is plywood with natural wood finish
- Four shelves (three adjustable) with chrome rails
- Cabinets 36" H and 42" H have additional space above top shelf
- Zinc full-extension guides
- Allow clearance adjacent to pull-out for hardware, appliances, and wall mouldings when pull-out is extended
- Extra chrome rails are included to use with 36" H and 42" H cabinets, install on top shelf of pull-out (pre-drilled) to create more storage (see images)
- Pull-out dimensions:
9" W: 5" W x 26-1/4" H x 10-3/4" D
12" W: 8" W x 26-1/4" H x 10-3/4" D

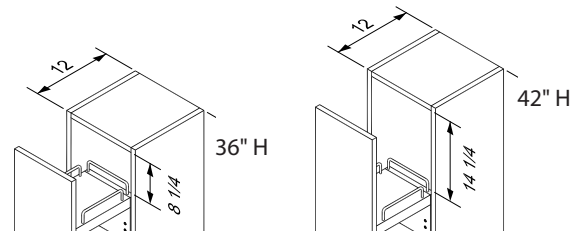


WPP

30" | 33" | 36" | 39" | 42" H

WPP09__

WPP12__



WALL PULL-OUT STAINLESS STEEL

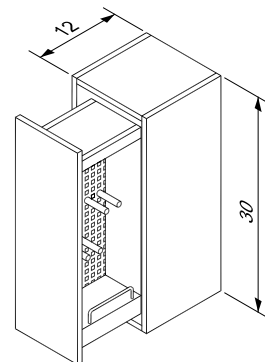
MODIFICATION LIMITS

No Modifications

HOW TO ORDER

Configuration	W	H	*
WPSS	09	42	L

- Pull-out is plywood with natural wood finish
- Chrome rails; magnetic stainless steel panel, black accessory hooks, pegs and chrome rail
- Cabinets 36" H and 42" H have additional space above top shelf
- Zinc full-extension guides
- Specify Left or Right orientation (Determines side the panel will be installed)
- Pull-out dimensions:
5" W x 26-1/4" H x 10-3/4" D



Left Shown

WPSS (L/R)

30" | 36" | 42" H

WPSS09__*

Wall Cabinets

* L or R required

	M0	M1	M2	M3	M3A	M4	M4A	M5	M5A	M6	M6A	M7	M8	M9	M10	M11	M11A	M13	M15	M16
WALL SPICE RACK - WOOD - 30" H																				
WSRW1530*	426	533	595	641	700	641	700	738	812	738	812	763	787	812	862	885	982	950	1068	1211
WSRW1830*	479	599	670	726	792	726	792	841	924	841	924	868	897	924	980	1023	1133	1097	1235	1418
WALL SPICE RACK - WOOD - 36" H																				
WSRW1536*	445	556	624	677	741	677	741	785	867	785	867	812	840	867	921	955	1062	1026	1158	1325
WSRW1836*	499	624	704	767	840	767	840	895	987	895	987	926	957	987	1048	1102	1225	1184	1338	1552

	M0	M1	M2	M3	M3A	M4	M4A	M5	M5A	M6	M6A	M7	M8	M9	M10	M11	M11A	M13	M15	M16
WALL PANTRY PULL-OUT - 30" H																				
WPP0930	638	797	877	962	1099	962	1099	1053	1204	1053	1204	1104	1155	1204	1301	1255	1437	1377	1603	1620
WPP1230	676	845	929	1018	1163	1018	1163	1114	1275	1114	1275	1169	1221	1275	1379	1330	1521	1459	1698	1715
WALL PANTRY PULL-OUT - 33" & 36" H																				
WPP09(H)	653	816	897	982	1123	982	1123	1075	1231	1075	1231	1128	1179	1231	1331	1282	1469	1406	1638	1655
WPP12(H)	685	856	941	1029	1179	1029	1179	1130	1292	1130	1292	1184	1238	1292	1396	1347	1542	1477	1721	1737
WALL PANTRY PULL-OUT - 39" & 42" H																				
WPP09(H)	666	833	916	1002	1146	1002	1146	1099	1257	1099	1257	1152	1204	1257	1358	1309	1499	1437	1674	1689
WPP12(H)	698	872	957	1048	1199	1048	1199	1148	1314	1148	1314	1204	1260	1314	1420	1370	1569	1503	1752	1769

"(H)" Specify height

	M0	M1	M2	M3	M3A	M4	M4A	M5	M5A	M6	M6A	M7	M8	M9	M10	M11	M11A	M13	M15	M16
WALL PULL-OUT - STAINLESS STEEL																				
WPSS0930*	813	1016	1062	1091	1136	1091	1136	1150	1204	1150	1204	1169	1187	1204	1241	1228	1294	1272	1355	1413
WPSS0936*	828	1035	1084	1116	1165	1116	1165	1182	1241	1182	1241	1202	1223	1241	1282	1274	1347	1323	1414	1486
WPSS0942*	848	1060	1113	1150	1204	1150	1204	1228	1294	1228	1294	1250	1272	1294	1340	1338	1421	1394	1498	1589

Wall Cabinets

* L or R required

WALL FILLER PULL-OUT ORGANIZER NOTES

FILLER PULL-OUTS:

- Designed to install between two cabinets
- Callout width = space required to install between cabinets
- Plywood with natural wood finish
- Filler face is flush with adjacent cabinets
 - (S) Square edge detail on all four sides
 - When installed, 1/16" reveal on each side
- Zinc full-extension guide mounted to top and bottom of pull-out

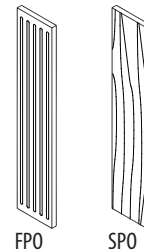
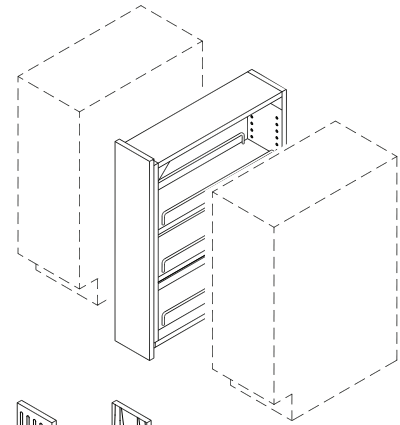
OPTIONAL PLANT-ON:

Fluted (FPO) and Solid (SPO) – 3" or 6" widths

- Plant-on height equals a Full Base door
- Edge detail matches door style
- Plant-ons are shipped loose
- Install at jobsite

INSTALL/DESIGN Notes:

- Knob or pull required (not included)
- Exterior of cabinets will be visible when unit is pulled out:
 - Opt. 1: Leave exterior of adjacent cabinets unfinished
 - Opt. 2: Order adjacent cabinets with Integral Finished Ends (IFE)



WALL FILLER PULL-OUT SPICE RACK

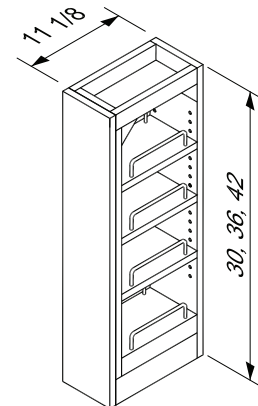
- Four shelves (three are adjustable) with chrome rails

MODIFICATION LIMITS

No Modifications

WFPS03_	MSRP
30" H	
WFPS0330	884
WFPS0330-FPO	1096
WFPS0330-SPO	1096
36" H	
WFPS0336	1033
WFPS0336-FPO	1245
WFPS0336-SPO	1245
42" H	
WFPS0342	1106
WFPS0342-FPO	1318
WFPS0342-SPO	1318

WFPS06_	MSRP
30" H	
WFPS0630	1107
WFPS0630-FPO	1319
WFPS0630-SPO	1319
36" H	
WFPS0636	1277
WFPS0636-FPO	1489
WFPS0636-SPO	1489
42" H	
WFPS0642	1353
WFPS0642-FPO	1565
WFPS0642-SPO	1565



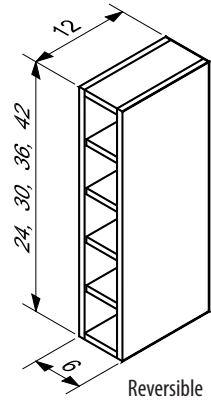
Wall Cabinets

WALL OPEN CUBBYHOLE

MODIFICATION LIMITS

Width 6" – 12"
 Height No height mods
 Depth 12" – 24"

- Constructed of 3/4" thick edge-taped material
- Intermediate fixed shelves are set back 1/4" from cabinet face
- Standard openings are 4-1/2" wide
- Exterior ends, top, bottom and interior are finished



WOCH	Space Between Shelves	
	Top & Bottom	Middle Section
WOCH0624	2 at 5"	2 at 5-1/8"
WOCH0630	2 at 5-1/16"	3 at 5-1/8"
WOCH0636	2 at 5-1/8"	4 at 5-1/8"
WOCH0642	2 at 5-3/16"	5 at 5-1/8"

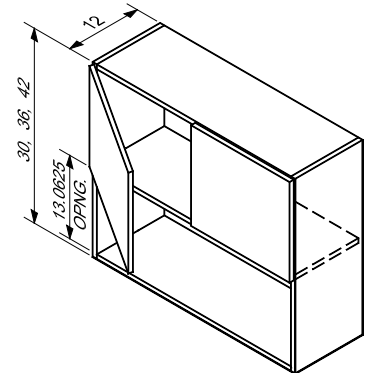
	M0	M1	M2	M3	M3A	M4	M4A	M5	M5A	M6	M6A	M7	M8	M9	M10	M11	M11A	M13	M15	M16
WOCH0624	704	704	704	704	704	736	736	736	736	704	704	704	704	704	704	782	782	704	704	782
WOCH0630	743	743	743	743	743	777	777	777	777	743	743	743	743	743	743	824	824	743	743	824
WOCH0636	782	782	782	782	782	819	819	819	819	782	782	782	782	782	782	868	868	782	782	868
WOCH0642	804	804	804	804	804	841	841	841	841	804	804	804	804	804	804	892	892	804	804	892

WALL DISPLAY

MODIFICATION LIMITS

Width 18" – 36"
 Height 25-1/2" – 48"
 Depth 12" – 24"

- Finished interior (FMI)
- Height modifications made in door area



Overall Cabinet Height	Qty of Adj. Shelves
25-1/2" – 32-3/4"	0
33" – 48"	1

WD
 30" | 33" | 36" | 39" | 42" H
 WD24__DD
 WD27__
 WD30__
 WD33__
 WD36__

30" H	M0	M1	M2	M3	M3A	M4	M4A	M5	M5A	M6	M6A	M7	M8	M9	M10	M11	M11A	M13	M15	M16
WD2430DD	887	1109	1145	1152	1377	1152	1377	1202	1435	1202	1435	1280	1358	1435	1581	1331	1582	1498	1811	1665
WD2730	916	1145	1184	1191	1421	1191	1421	1252	1491	1252	1491	1331	1411	1491	1642	1401	1664	1576	1903	1750
WD3030	939	1174	1214	1230	1465	1230	1465	1301	1547	1301	1547	1382	1465	1547	1703	1472	1745	1654	1994	1835
WD3330	974	1218	1258	1275	1518	1275	1518	1355	1610	1355	1610	1440	1525	1610	1771	1548	1833	1738	2093	1928
WD3630	1023	1279	1323	1338	1591	1338	1591	1428	1694	1428	1694	1518	1606	1694	1862	1645	1944	1844	2217	2042
33" & 36" H																				
WD24(H)DD	957	1196	1241	1250	1489	1250	1489	1330	1581	1330	1581	1413	1498	1581	1738	1528	1810	1716	2067	1903
WD27(H)	993	1241	1287	1297	1543	1297	1543	1392	1652	1392	1652	1479	1565	1652	1816	1623	1918	1820	2188	2017
WD30(H)	1023	1279	1326	1343	1598	1343	1598	1453	1723	1453	1723	1543	1633	1723	1893	1716	2025	1922	2308	2128
WD33(H)	1084	1355	1404	1423	1688	1423	1688	1547	1832	1547	1832	1642	1737	1832	2010	1840	2169	2059	2468	2278
WD36(H)	1121	1401	1452	1469	1742	1469	1742	1610	1903	1610	1903	1708	1805	1903	2088	1935	2276	2162	2588	2390
39" & 42" H																				
WD24(H)DD	1002	1252	1304	1316	1565	1316	1565	1425	1689	1425	1689	1513	1601	1689	1855	1694	2001	1900	2281	2103
WD27(H)	1041	1301	1357	1367	1625	1367	1625	1496	1772	1496	1772	1587	1679	1772	1945	1808	2130	2022	2425	2237
WD30(H)	1074	1343	1399	1418	1682	1418	1682	1567	1854	1567	1854	1664	1759	1854	2034	1920	2259	2145	2569	2373
WD33(H)	1140	1425	1482	1501	1777	1501	1777	1671	1972	1671	1972	1771	1872	1972	2162	2062	2424	2303	2754	2544
WD36(H)	1179	1474	1533	1552	1837	1552	1837	1742	2056	1742	2056	1847	1950	2056	2252	2176	2554	2427	2898	2680

"(H)" Specify height

Wall Cabinets

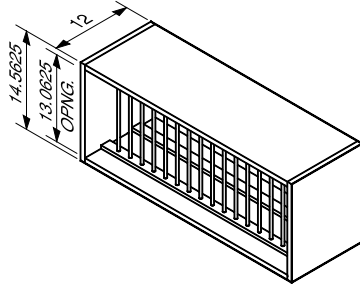
PLATE DISPLAY

MODIFICATION LIMITS

Width	18" – 36"
Height	No Height Mods
Depth	12" – 18"

- Finished interior (FMI)
- Ends, top and bottom not finished
- Three middle dowels in front and back row may be removed for cleaning
- Max. plate height is 11-7/8"
- When depth is increased the distance between

- plate rack and front of cabinet remains the same
- False back is added if cab depth is greater than 15"
- Cherry dowels used with Alder or Sapele orders
- **Not available:** Bamboo, Black Walnut, Exotic Wood Veneer, Foil, Greenlam and Thermo Structured Surface (TSS)



PD	
15" H	Plate Openings
PD2415	10
PD2715	12
PD3015	13
PD3315	15
PD3615	16

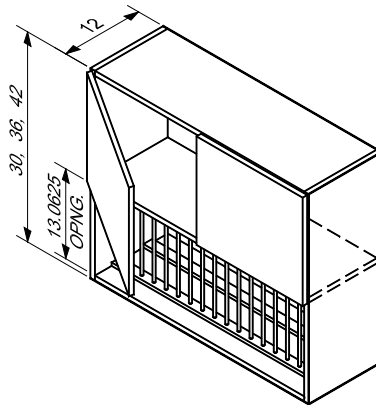
WALL PLATE DISPLAY

MODIFICATION LIMITS

Width	18" – 36"
Height	25-1/2" – 48"
Depth	12" – 18"

- See cabinet notes above
- Height modifications made in door area

Overall Cabinet Heights	Qty of Adj. Shelves
25-1/2" – 32-3/4"	0
33" – 48"	1



WPD	
30" 33" 36" 39" 42"H	Plate Openings
WPD24__DD	10
WPD27__	12
WPD30__	13
WPD33__	15
WPD36__	16

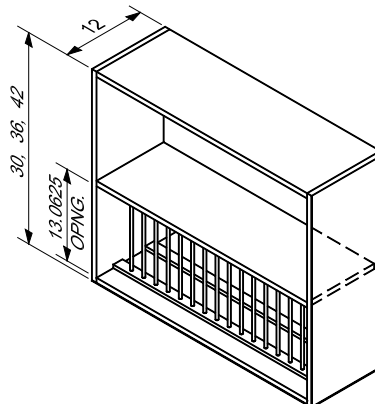
WALL OPEN PLATE DISPLAY

MODIFICATION LIMITS

Width	18" – 36"
Height	27" – 48"
Depth	12" – 18"

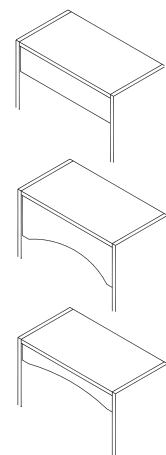
- See cabinet notes at top
- Height modifications made in open (upper) area

Overall Cabinet Heights	Qty of Adj. Shelves
27" – 32-3/4"	0
33" – 48"	1



WOPD	
30" 33" 36" 39" 42"H	Plate Openings
WOPD24__	10
WOPD27__	12
WOPD30__	13
WOPD33__	15
WOPD36__	16

Optional Top Rail Valances (See Modification section)



Wall Cabinets

	M0	M1	M2	M3	M3A	M4	M4A	M5	M5A	M6	M6A	M7	M8	M9	M10	M11	M11A	M13	M15	M16
PLATE DISPLAY																				
PD2415	997	997	997	997	997	997	997	997	997	997	997	997	997	997	1118	1118	1118	997	1118	1118
PD2715	1053	1053	1053	1053	1053	1053	1053	1053	1053	1053	1053	1053	1053	1053	1179	1179	1179	1053	1179	1179
PD3015	1087	1087	1087	1087	1087	1087	1087	1087	1087	1087	1087	1087	1087	1087	1216	1216	1216	1087	1216	1216
PD3315	1152	1152	1152	1152	1152	1152	1152	1152	1152	1152	1152	1152	1152	1152	1287	1287	1287	1152	1287	1287
PD3615	1186	1186	1186	1186	1186	1186	1186	1186	1186	1186	1186	1186	1186	1186	1325	1325	1325	1186	1325	1325

	M0	M1	M2	M3	M3A	M4	M4A	M5	M5A	M6	M6A	M7	M8	M9	M10	M11	M11A	M13	M15	M16
WALL PLATE DISPLAY - 30" H																				
WPD2430DD	1198	1498	1533	1540	1766	1540	1766	1591	1823	1591	1823	1669	1747	1823	1969	1720	1971	1886	2200	2054
WPD2730	1226	1533	1572	1579	1810	1579	1810	1640	1879	1640	1879	1720	1799	1879	2030	1789	2052	1964	2291	2139
WPD3030	1250	1562	1603	1618	1854	1618	1854	1689	1935	1689	1935	1771	1854	1935	2091	1861	2134	2042	2383	2223
WPD3330	1285	1606	1647	1664	1906	1664	1906	1743	1998	1743	1998	1828	1913	1998	2159	1937	2222	2127	2481	2317
WPD3630	1334	1667	1711	1727	1979	1727	1979	1816	2083	1816	2083	1906	1994	2083	2251	2034	2332	2232	2605	2430
WALL PLATE DISPLAY - 33" & 36" H																				
WPD24(H)DD	1267	1584	1630	1638	1877	1638	1877	1718	1969	1718	1969	1801	1886	1969	2127	1916	2198	2105	2456	2291
WPD27(H)	1304	1630	1676	1686	1932	1686	1932	1781	2040	1781	2040	1867	1954	2040	2205	2011	2307	2208	2576	2405
WPD30(H)	1334	1667	1715	1732	1986	1732	1986	1842	2112	1842	2112	1932	2022	2112	2281	2105	2413	2310	2697	2517
WPD33(H)	1394	1743	1793	1811	2076	1811	2076	1935	2220	1935	2220	2030	2125	2220	2398	2229	2558	2447	2856	2666
WPD36(H)	1431	1789	1840	1857	2130	1857	2130	1998	2291	1998	2291	2096	2193	2291	2476	2324	2664	2551	2976	2778
WALL PLATE DISPLAY - 39" & 42" H																				
WPD24(H)DD	1312	1640	1693	1704	1954	1704	1954	1813	2078	1813	2078	1901	1989	2078	2244	2083	2390	2288	2670	2491
WPD27(H)	1351	1689	1745	1755	2013	1755	2013	1884	2161	1884	2161	1976	2067	2161	2334	2196	2519	2410	2814	2625
WPD30(H)	1386	1732	1788	1806	2071	1806	2071	1955	2242	1955	2242	2052	2147	2242	2422	2308	2647	2534	2958	2761
WPD33(H)	1450	1813	1871	1889	2166	1889	2166	2059	2361	2059	2361	2159	2261	2361	2551	2451	2812	2692	3143	2932
WPD36(H)	1490	1862	1922	1940	2225	1940	2225	2130	2444	2130	2444	2235	2339	2444	2641	2564	2943	2815	3287	3068

"(H)" Specify height

	M0	M1	M2	M3	M3A	M4	M4A	M5	M5A	M6	M6A	M7	M8	M9	M10	M11	M11A	M13	M15	M16
WALL OPEN PLATE DISPLAY - 30" H																				
WOPD2430	1252	1252	1252	1252	1252	1252	1252	1252	1252	1252	1252	1252	1252	1252	1372	1372	1372	1252	1372	1372
WOPD2730	1308	1308	1308	1308	1308	1308	1308	1308	1308	1308	1308	1308	1308	1308	1433	1433	1433	1308	1433	1433
WOPD3030	1342	1342	1342	1342	1342	1342	1342	1342	1342	1342	1342	1342	1342	1342	1470	1470	1470	1342	1470	1470
WOPD3330	1406	1406	1406	1406	1406	1406	1406	1406	1406	1406	1406	1406	1406	1406	1542	1542	1542	1406	1542	1542
WOPD3630	1440	1440	1440	1440	1440	1440	1440	1440	1440	1440	1440	1440	1440	1440	1579	1579	1579	1440	1579	1579
WALL OPEN PLATE DISPLAY - 33" & 36" H																				
WOPD24(H)	1347	1347	1347	1347	1347	1347	1347	1347	1347	1347	1347	1347	1347	1347	1477	1477	1477	1347	1477	1477
WOPD27(H)	1418	1418	1418	1418	1418	1418	1418	1418	1418	1418	1418	1418	1418	1418	1555	1555	1555	1418	1555	1555
WOPD30(H)	1462	1462	1462	1462	1462	1462	1462	1462	1462	1462	1462	1462	1462	1462	1604	1604	1604	1462	1604	1604
WOPD33(H)	1538	1538	1538	1538	1538	1538	1538	1538	1538	1538	1538	1538	1538	1538	1688	1688	1688	1538	1688	1688
WOPD36(H)	1582	1582	1582	1582	1582	1582	1582	1582	1582	1582	1582	1582	1582	1582	1737	1737	1737	1582	1737	1737
WALL OPEN PLATE DISPLAY - 39" & 42" H																				
WOPD24(H)	1384	1384	1384	1384	1384	1384	1384	1384	1384	1384	1384	1384	1384	1384	1518	1518	1518	1384	1518	1518
WOPD27(H)	1462	1462	1462	1462	1462	1462	1462	1462	1462	1462	1462	1462	1462	1462	1604	1604	1604	1462	1604	1604
WOPD30(H)	1509	1509	1509	1509	1509	1509	1509	1509	1509	1509	1509	1509	1509	1509	1655	1655	1655	1509	1655	1655
WOPD33(H)	1587	1587	1587	1587	1587	1587	1587	1587	1587	1587	1587	1587	1587	1587	1742	1742	1742	1587	1742	1742
WOPD36(H)	1635	1635	1635	1635	1635	1635	1635	1635	1635	1635	1635	1635	1635	1635	1793	1793	1793	1635	1793	1793

"(H)" Specify height

Wall Cabinets

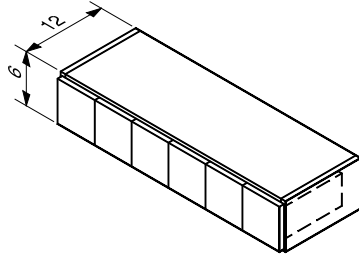
SPICE DRAWERS

MODIFICATION LIMITS

Width No width mods
 Height No height mods
 Depth 12" – 24"
 *drawer depth does not increase

- Hardwood dovetail drawers are 10 1/2" deep
- Drawer boxes in cabinets 24" W and 30" W use rabbeted joint construction
- Drawers are friction fit (No hardware)
- Slab fronts with horizontal grain only (No DFMD)
- Cabinet is made of 3/4" material

- Edge details match doors unless door is Mitered, then fronts will have 'A' edge detail
- Reveal is approximately 1/8" between fronts and 7/16" on sides
- Increased depth applied to cabinet, not drawers
- Exterior is not finished



SD	
6" H	Qty. of Drawers
SD2406	4
SD2706	4
SD3006	5
SD3306	5
SD3606	6

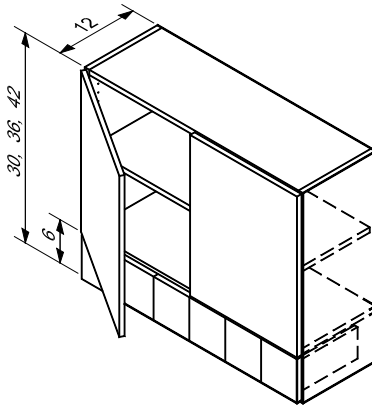
WALL SPICE DRAWERS

MODIFICATION LIMITS

Width No width mods
 Height 18" – 48"
 Depth 12" – 24"
 *drawer depth does not increase

- See notes above
- Height modifications made to upper door area

Overall Cabinet Heights	Qty of Adj. Shelves
18" – 24"	0
24-1/4" – 33"	1
33-1/4" – 48"	2



WSD2DR	
30" 33" 36" 39" 42"H	Qty. of Drawers
WSD24__DD	4
WSD27__	4
WSD30__	5
WSD33__	5
WSD36__	6

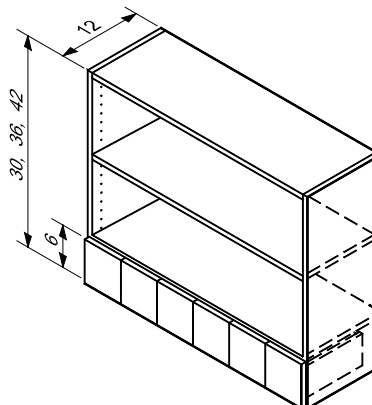
WALL OPEN SPICE DRAWERS

MODIFICATION LIMITS

Width No width mods
 Height 18" – 48"
 Depth 12" – 24"
 *drawer depth does not increase

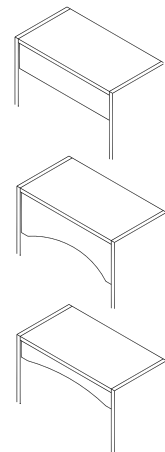
- See notes above
- Finished interior (FMI)
- Height modifications made to upper open area

Overall Cabinet Heights	Qty of Adj. Shelves
18" – 24"	0
24-1/4" – 33"	1
33-1/4" – 48"	2



WOSD	
30" 33" 36" 39" 42"H	Qty. of Drawers
WOSD24__DD	4
WOSD27__	4
WOSD30__	5
WOSD33__	5
WOSD36__	6

Optional Top Rail Valances (See Modification section)



Wall Cabinets

	M0	M1	M2	M3	M3A	M4	M4A	M5	M5A	M6	M6A	M7	M8	M9	M10	M11	M11A	M13	M15	M16
SPICE DRAWERS																				
SD2406	741	926	982	1038	1038	1038	1038	1038	1038	1038	1038	1038	1038	1038	1141	1162	1162	1162	1038	1162
SD2706	764	955	1013	1070	1070	1070	1070	1070	1070	1070	1070	1070	1070	1070	1175	1196	1196	1196	1070	1196
SD3006	817	1021	1082	1143	1143	1143	1143	1143	1143	1143	1143	1143	1143	1143	1255	1275	1275	1275	1143	1275
SD3306	840	1050	1111	1174	1174	1174	1174	1174	1174	1174	1174	1174	1174	1174	1287	1311	1311	1311	1174	1311
SD3606	891	1114	1179	1245	1245	1245	1245	1245	1245	1245	1245	1245	1245	1245	1364	1389	1389	1389	1245	1389

	M0	M1	M2	M3	M3A	M4	M4A	M5	M5A	M6	M6A	M7	M8	M9	M10	M11	M11A	M13	M15	M16
WALL SPICE DRAWERS - 30" H																				
WSD2430DD	1080	1350	1416	1426	1635	1426	1635	1504	1723	1504	1723	1504	1504	1723	1862	1796	2059	1971	2300	2235
WSD2730	1105	1381	1450	1462	1674	1462	1674	1554	1781	1554	1781	1628	1704	1781	1923	1855	2128	2037	2376	2308
WSD3030	1162	1452	1526	1537	1760	1537	1760	1652	1893	1652	1893	1732	1813	1893	2045	1974	2264	2167	2529	2456
WSD3330	1185	1481	1562	1572	1801	1572	1801	1701	1950	1701	1950	1784	1867	1950	2106	2034	2332	2232	2605	2530
WSD3630	1248	1560	1645	1655	1898	1655	1898	1799	2064	1799	2064	1888	1976	2064	2230	2151	2468	2363	2756	2678
WALL SPICE DRAWERS - 33" & 36" H																				
WSD24(H)DD	1117	1396	1462	1472	1686	1472	1686	1550	1776	1550	1776	1625	1699	1776	1918	1850	2122	2032	2369	2303
WSD27(H)	1144	1430	1501	1511	1732	1511	1732	1603	1837	1603	1837	1681	1759	1837	1984	1915	2196	2103	2452	2385
WSD30(H)	1203	1504	1581	1591	1823	1591	1823	1706	1955	1706	1955	1789	1872	1955	2113	2039	2339	2239	2612	2537
WSD33(H)	1232	1540	1620	1630	1869	1630	1869	1760	2017	1760	2017	1845	1932	2017	2179	2103	2412	2310	2695	2619
WSD36(H)	1298	1623	1708	1718	1971	1718	1971	1862	2135	1862	2135	1954	2044	2135	2307	2227	2554	2446	2853	2773
WALL SPICE DRAWERS - 39" & 42" H																				
WSD24(H)DD	1154	1442	1508	1518	1738	1518	1738	1594	1828	1594	1828	1672	1750	1828	1976	1906	2184	2091	2441	2371
WSD27(H)	1183	1479	1550	1560	1789	1560	1789	1654	1894	1654	1894	1733	1815	1894	2047	1976	2266	2169	2530	2459
WSD30(H)	1247	1559	1635	1645	1886	1645	1886	1760	2018	1760	2018	1845	1932	2018	2181	2103	2413	2310	2695	2619
WSD33(H)	1278	1598	1677	1689	1935	1689	1935	1818	2084	1818	2084	1906	1996	2084	2252	2173	2493	2386	2785	2707
WSD36(H)	1349	1686	1771	1781	2042	1781	2042	1925	2208	1925	2208	2020	2113	2208	2386	2301	2641	2527	2949	2866

"(H)" Specify height

	M0	M1	M2	M3	M3A	M4	M4A	M5	M5A	M6	M6A	M7	M8	M9	M10	M11	M11A	M13	M15	M16
WALL OPEN SPICE DRAWERS - 30" H																				
WOSD2430	930	1163	1219	1275	1275	1275	1275	1275	1275	1275	1275	1275	1275	1275	1379	1399	1399	1399	1275	1399
WOSD2730	954	1192	1250	1308	1308	1308	1308	1308	1308	1308	1308	1308	1308	1308	1413	1433	1433	1433	1308	1433
WOSD3030	1006	1258	1319	1381	1381	1381	1381	1381	1381	1381	1381	1381	1381	1381	1492	1513	1513	1513	1381	1513
WOSD3330	1030	1287	1348	1411	1411	1411	1411	1411	1411	1411	1411	1411	1411	1411	1525	1548	1548	1548	1411	1548
WOSD3630	1082	1352	1416	1482	1482	1482	1482	1482	1482	1482	1482	1482	1482	1482	1601	1626	1626	1626	1482	1626
WALL OPEN SPICE DRAWERS - 33" & 36" H																				
WOSD24(H)	988	1235	1294	1353	1353	1353	1353	1353	1353	1353	1353	1353	1353	1353	1462	1484	1484	1484	1353	1484
WOSD27(H)	1015	1269	1330	1392	1392	1392	1392	1392	1392	1392	1392	1392	1392	1392	1504	1526	1526	1526	1392	1526
WOSD30(H)	1074	1342	1408	1472	1472	1472	1472	1472	1472	1472	1472	1472	1472	1472	1591	1615	1615	1615	1472	1615
WOSD33(H)	1102	1377	1443	1511	1511	1511	1511	1511	1511	1511	1511	1511	1511	1511	1633	1657	1657	1657	1511	1657
WOSD36(H)	1158	1448	1520	1589	1589	1589	1589	1589	1589	1589	1589	1589	1589	1589	1716	1743	1743	1743	1589	1743
WALL OPEN SPICE DRAWERS - 39" & 42" H																				
WOSD24(H)	1018	1272	1333	1394	1394	1394	1394	1394	1394	1394	1394	1394	1394	1394	1506	1530	1530	1530	1394	1530
WOSD27(H)	1047	1309	1372	1435	1435	1435	1435	1435	1435	1435	1435	1435	1435	1435	1550	1576	1576	1576	1435	1576
WOSD30(H)	1107	1384	1452	1518	1518	1518	1518	1518	1518	1518	1518	1518	1518	1518	1640	1665	1665	1665	1518	1665
WOSD33(H)	1137	1421	1491	1559	1559	1559	1559	1559	1559	1559	1559	1559	1559	1559	1684	1711	1711	1711	1559	1711
WOSD36(H)	1195	1494	1567	1640	1640	1640	1640	1640	1640	1640	1640	1640	1640	1640	1772	1799	1799	1799	1640	1799

"(H)" Specify height

Wall Cabinets

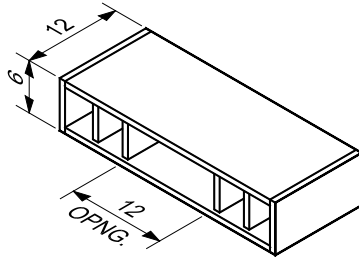
LETTER ORGANIZER – 6"

MODIFICATION LIMITS

Width No width mods
 Height No height mods
 Depth 12" – 24"

- Constructed of 3/4" thick edge-taped material
- Five openings regardless of width

- Finished interior (FMI)
- Exterior ends, top and bottom are finished



LO
 6" H
 LO2406
 LO2706
 LO3006
 LO3306
 LO3606

WALL LETTER ORGANIZER – 6"

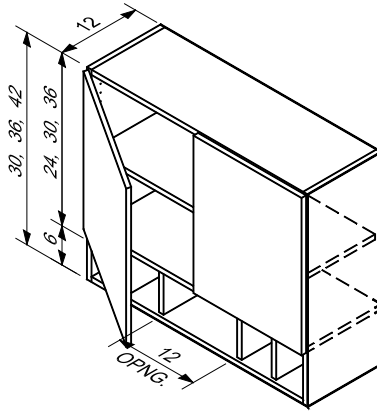
MODIFICATION LIMITS

Width No width mods
 Height 18" – 42"
 Depth 12" – 24"

- See notes above
- Height modifications made in door area

- Exterior ends, top and bottom are not finished

Overall Cabinet Heights	Qty of Adj. Shelves
18" – 24"	0
24-1/4" – 33"	1
33-1/4" – 42"	2



WLO2DR-6
 30"|33"|36"|39"|42" H
 WLO24__-6DD
 WLO27__-6
 WLO30__-6
 WLO33__-6
 WLO36__-6

WALL OPEN LETTER ORGANIZER – 6"

MODIFICATION LIMITS

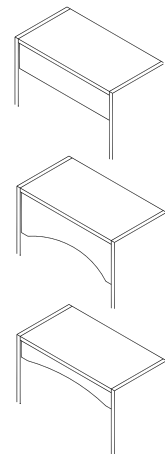
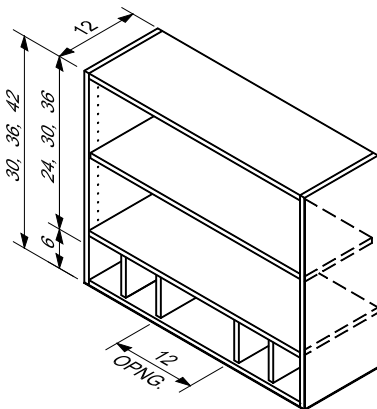
Width No width mods
 Height 18" – 42"
 Depth 12" – 24"

- See notes above
- Height modifications made to upper open area
- Exterior ends, top and bottom are not finished

Optional Top Rail Valances (See Modification section)

Overall Cabinet Heights	Qty of Adj. Shelves
18" – 24"	0
24-1/4" – 33"	1
33-1/4" – 42"	2

WOLO-6
 30"|33"|36"|39"|42" H
 WOLO24__-6
 WOLO27__-6
 WOLO30__-6
 WOLO33__-6
 WOLO36__-6



Wall Cabinets

	M0	M1	M2	M3	M3A	M4	M4A	M5	M5A	M6	M6A	M7	M8	M9	M10	M11	M11A	M13	M15	M16
LETTER ORGANIZER - 6" H																				
LO2406	697	697	697	697	697	697	697	697	697	697	697	697	697	697	697	697	697	697	697	697
LO2706	736	736	736	736	736	736	736	736	736	736	736	736	736	736	736	736	736	736	736	736
LO3006	736	736	736	736	736	736	736	736	736	736	736	736	736	736	736	736	736	736	736	736
LO3306	760	760	760	760	760	760	760	760	760	760	760	760	760	760	760	760	760	760	760	760
LO3606	775	775	775	775	775	775	775	775	775	775	775	775	775	775	775	775	775	775	775	775

	M0	M1	M2	M3	M3A	M4	M4A	M5	M5A	M6	M6A	M7	M8	M9	M10	M11	M11A	M13	M15	M16
WALL LETTER ORGANIZER - (6") - 30" H																				
WLO2430-6DD	993	1241	1335	1398	1601	1398	1601	1526	1749	1526	1749	1601	1676	1749	1889	1703	1952	1869	2179	2106
WLO2730-6	1042	1303	1404	1474	1689	1474	1689	1618	1854	1618	1854	1696	1776	1854	2003	1822	2088	2000	2332	2283
WLO3030-6	1060	1325	1433	1511	1732	1511	1732	1669	1913	1669	1913	1750	1832	1913	2067	1900	2178	2086	2432	2418
WLO3330-6	1096	1370	1486	1570	1799	1570	1799	1745	2001	1745	2001	1830	1915	2001	2162	2003	2296	2200	2566	2578
WLO3630-6	1126	1408	1531	1623	1861	1623	1861	1811	2076	1811	2076	1900	1988	2076	2242	2098	2407	2303	2688	2731
WALL LETTER ORGANIZER - (6") - 33" & 36" H																				
WLO24(H)-6DD	1035	1294	1403	1479	1694	1479	1694	1637	1876	1637	1876	1716	1796	1876	2027	1864	2137	2045	2386	2376
WLO27(H)-6	1090	1362	1479	1564	1793	1564	1793	1740	1994	1740	1994	1825	1910	1994	2156	2001	2295	2198	2563	2583
WLO30(H)-6	1111	1389	1515	1610	1845	1610	1845	1803	2067	1803	2067	1891	1979	2067	2234	2100	2408	2305	2690	2753
WLO33(H)-6	1152	1440	1574	1677	1923	1677	1923	1891	2169	1891	2169	1984	2076	2169	2344	2220	2547	2437	2846	2944
WLO36(H)-6	1186	1482	1626	1738	1993	1738	1993	1971	2261	1971	2261	2067	2164	2261	2442	2334	2678	2563	2992	3127
WALL LETTER ORGANIZER - (6") - 39" & 42" H																				
WLO24(H)-6DD	1060	1325	1443	1528	1750	1528	1750	1704	1954	1704	1954	1788	1871	1954	2112	1966	2254	2157	2517	2549
WLO27(H)-6	1115	1394	1521	1618	1854	1618	1854	1815	2081	1815	2081	1903	1993	2081	2249	2115	2425	2322	2710	2778
WLO30(H)-6	1138	1423	1560	1667	1911	1667	1911	1886	2162	1886	2162	1978	2071	2162	2335	2223	2551	2442	2849	2966
WLO33(H)-6	1182	1477	1625	1740	1994	1740	1994	1979	2269	1979	2269	2076	2173	2269	2452	2357	2705	2590	3022	3178
WLO36(H)-6	1217	1521	1679	1806	2071	1806	2071	2066	2369	2066	2369	2167	2268	2369	2559	2481	2848	2725	3182	3384

"(H)" Specify height

	M0	M1	M2	M3	M3A	M4	M4A	M5	M5A	M6	M6A	M7	M8	M9	M10	M11	M11A	M13	M15	M16
WALL OPEN LTR ORGANIZER - (6") - 30" H																				
WOLO2430-6	994	994	994	994	994	1057	1057	1057	1057	994	994	994	994	994	994	1138	1138	994	994	1138
WOLO2730-6	1041	1041	1041	1041	1041	1104	1104	1104	1104	1041	1041	1041	1041	1041	1041	1186	1186	1041	1041	1186
WOLO3030-6	1060	1060	1060	1060	1060	1123	1123	1123	1123	1060	1060	1060	1060	1060	1060	1204	1204	1060	1060	1204
WOLO3330-6	1096	1096	1096	1096	1096	1158	1158	1158	1158	1096	1096	1096	1096	1096	1096	1240	1240	1096	1096	1240
WOLO3630-6	1126	1126	1126	1126	1126	1189	1189	1189	1189	1126	1126	1126	1126	1126	1126	1270	1270	1126	1126	1270
WALL OPEN LTR ORGNZR - (6") - 33" & 36" H																				
WOLO24(H)-6	1035	1035	1035	1035	1035	1097	1097	1097	1097	1035	1035	1035	1035	1035	1035	1179	1179	1035	1035	1179
WOLO27(H)-6	1089	1089	1089	1089	1089	1152	1152	1152	1152	1089	1089	1089	1089	1089	1089	1233	1233	1089	1089	1233
WOLO30(H)-6	1111	1111	1111	1111	1111	1174	1174	1174	1174	1111	1111	1111	1111	1111	1111	1255	1255	1111	1111	1255
WOLO33(H)-6	1152	1152	1152	1152	1152	1214	1214	1214	1214	1152	1152	1152	1152	1152	1152	1296	1296	1152	1152	1296
WOLO36(H)-6	1186	1186	1186	1186	1186	1248	1248	1248	1248	1186	1186	1186	1186	1186	1186	1330	1330	1186	1186	1330
WALL OPEN LTR ORGNZR - (6") - 39" & 42" H																				
WOLO24(H)-6	1060	1060	1060	1060	1060	1123	1123	1123	1123	1060	1060	1060	1060	1060	1060	1204	1204	1060	1060	1204
WOLO27(H)-6	1116	1116	1116	1116	1116	1179	1179	1179	1179	1116	1116	1116	1116	1116	1116	1260	1260	1116	1116	1260
WOLO30(H)-6	1138	1138	1138	1138	1138	1201	1201	1201	1201	1138	1138	1138	1138	1138	1138	1282	1282	1138	1138	1282
WOLO33(H)-6	1182	1182	1182	1182	1182	1245	1245	1245	1245	1182	1182	1182	1182	1182	1182	1326	1326	1182	1182	1326
WOLO36(H)-6	1218	1218	1218	1218	1218	1280	1280	1280	1280	1218	1218	1218	1218	1218	1218	1362	1362	1218	1218	1362

"(H)" Specify height

Wall Cabinets

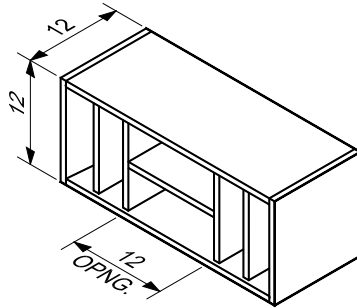
LETTER ORGANIZER – 12"

MODIFICATION LIMITS

Width	No width mods
Height	No height mods
Depth	12" – 24"

- Constructed of 3/4" thick edge-taped material
- Six openings regardless of width
- Interior dividers are recessed 1/4" from face of the cabinet

- Finished interior (FMI)
- Exterior ends, top and bottom are finished



<u>LO</u>
12" H
LO2412
LO2712
LO3012
LO3312
LO3612

WALL LETTER ORGANIZER – 12"

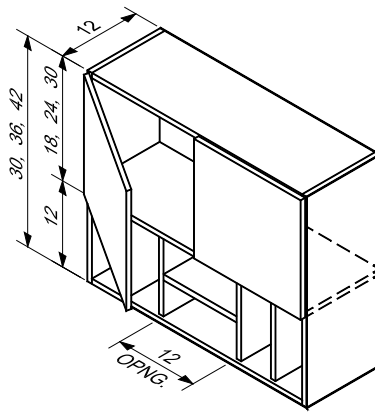
MODIFICATION LIMITS

Width	No width mods
Height	24" – 48"
Depth	12" – 24"

Overall Cabinet Heights	Qty of Adj. Shelves
24" – 30"	0
30-1/4" – 39"	1
39-1/4" – 48"	2

- See notes above
- Height modifications made in door area

- Exterior ends, top and bottom are not finished



<u>WLO2DR-12</u>
30" 33" 36" 39" 42" H
WLO24__-12DD
WLO27__-12
WLO30__-12
WLO33__-12
WLO36__-12

WALL OPEN LETTER ORGANIZER – 12"

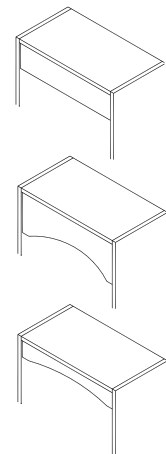
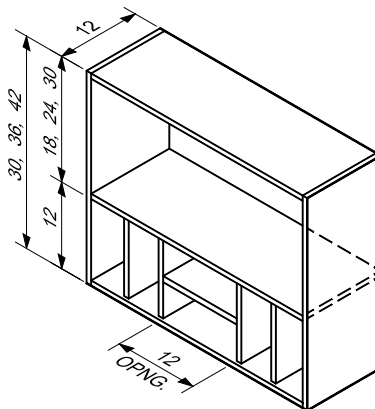
MODIFICATION LIMITS

Width	No width mods
Height	24" – 48"
Depth	12" – 24"

Overall Cabinet Heights	Qty of Adj. Shelves
24" – 30"	0
30-1/4" – 39"	1
39-1/4" – 48"	2

- See notes above
- Height modifications are made to upper open area
- Exterior ends, top and bottom are not finished

Optional Top Rail Valances (See Modification section)



<u>WLO-12</u>
30" 33" 36" 39" 42" H
WLO24__-12
WLO27__-12
WLO30__-12
WLO33__-12
WLO36__-12

Wall Cabinets

	M0	M1	M2	M3	M3A	M4	M4A	M5	M5A	M6	M6A	M7	M8	M9	M10	M11	M11A	M13	M15	M16
LETTER ORGANIZER - 12" H																				
LO2412	751	751	751	751	751	751	751	751	751	751	751	751	751	751	751	751	751	751	751	751
LO2712	790	790	790	790	790	790	790	790	790	790	790	790	790	790	790	790	790	790	790	790
LO3012	790	790	790	790	790	790	790	790	790	790	790	790	790	790	790	790	790	790	790	790
LO3312	829	829	829	829	829	829	829	829	829	829	829	829	829	829	829	829	829	829	829	829
LO3612	867	867	867	867	867	867	867	867	867	867	867	867	867	867	867	867	867	867	867	867

	M0	M1	M2	M3	M3A	M4	M4A	M5	M5A	M6	M6A	M7	M8	M9	M10	M11	M11A	M13	M15	M16
WALL LETTER ORGANIZER - (12") - 30" H																				
WLO2430-12DD	986	1233	1308	1350	1547	1350	1547	1435	1643	1435	1643	1504	1574	1643	1776	1533	1757	1682	1961	1777
WLO2730-12	1031	1289	1367	1414	1620	1414	1620	1509	1730	1509	1730	1582	1657	1730	1869	1625	1862	1782	2079	1905
WLO3030-12	1043	1304	1387	1440	1650	1440	1650	1543	1769	1543	1769	1618	1694	1769	1911	1677	1923	1840	2147	1994
WLO3330-12	1086	1358	1447	1504	1723	1504	1723	1618	1854	1618	1854	1696	1776	1854	2003	1769	2028	1942	2264	2123
WLO3630-12	1130	1413	1506	1567	1796	1567	1796	1691	1939	1691	1939	1774	1855	1939	2095	1859	2132	2040	2379	2249
WALL LETTER ORGANIZER - (12") - 33" & 36" H																				
WLO24(H)-12DD	1037	1296	1389	1452	1664	1452	1664	1581	1811	1581	1811	1657	1735	1811	1957	1757	2015	1928	2249	2161
WLO27(H)-12	1086	1357	1459	1528	1750	1528	1750	1672	1916	1672	1916	1754	1835	1916	2071	1876	2151	2059	2402	2337
WLO30(H)-12	1103	1379	1487	1565	1794	1565	1794	1723	1976	1723	1976	1808	1891	1976	2135	1954	2240	2145	2502	2473
WLO33(H)-12	1152	1440	1555	1640	1879	1640	1879	1815	2081	1815	2081	1903	1993	2081	2249	2073	2378	2276	2656	2647
WLO36(H)-12	1199	1499	1623	1715	1966	1715	1966	1903	2183	1903	2183	1996	2089	2183	2357	2190	2512	2405	2805	2822
WALL LETTER ORGANIZER - (12") - 39" & 42" H																				
WLO24(H)-12DD	1078	1348	1457	1533	1757	1533	1757	1691	1939	1691	1939	1774	1855	1939	2095	1918	2200	2106	2456	2430
WLO27(H)-12	1133	1416	1533	1618	1854	1618	1854	1794	2057	1794	2057	1883	1969	2057	2223	2056	2357	2257	2634	2637
WLO30(H)-12	1154	1443	1569	1664	1906	1664	1906	1857	2130	1857	2130	1949	2039	2130	2301	2154	2471	2366	2759	2807
WLO33(H)-12	1207	1509	1643	1747	2003	1747	2003	1961	2249	1961	2249	2057	2152	2249	2430	2290	2627	2515	2934	3014
WLO36(H)-12	1259	1574	1718	1830	2098	1830	2098	2062	2366	2062	2366	2164	2264	2366	2556	2425	2783	2664	3109	3219

"(H)" Specify height

	M0	M1	M2	M3	M3A	M4	M4A	M5	M5A	M6	M6A	M7	M8	M9	M10	M11	M11A	M13	M15	M16
WALL OPEN LTR ORGANIZER - (12") - 30" H																				
WOLO2430-12	987	987	987	987	987	1050	1050	1050	1050	987	987	987	987	987	987	1131	1131	987	987	1131
WOLO2730-12	1031	1031	1031	1031	1031	1094	1094	1094	1094	1031	1031	1031	1031	1031	1031	1175	1175	1031	1031	1175
WOLO3030-12	1043	1043	1043	1043	1043	1106	1106	1106	1106	1043	1043	1043	1043	1043	1043	1187	1187	1043	1043	1187
WOLO3330-12	1087	1087	1087	1087	1087	1150	1150	1150	1150	1087	1087	1087	1087	1087	1087	1231	1231	1087	1087	1231
WOLO3630-12	1130	1130	1130	1130	1130	1192	1192	1192	1192	1130	1130	1130	1130	1130	1130	1274	1274	1130	1130	1274
WALL OPEN LTR ORGNZR - (12") - 33" & 36" H																				
WOLO24(H)-12	1036	1036	1036	1036	1036	1099	1099	1099	1099	1036	1036	1036	1036	1036	1036	1180	1180	1036	1036	1180
WOLO27(H)-12	1085	1085	1085	1085	1085	1148	1148	1148	1148	1085	1085	1085	1085	1085	1085	1230	1230	1085	1085	1230
WOLO30(H)-12	1102	1102	1102	1102	1102	1165	1165	1165	1165	1102	1102	1102	1102	1102	1102	1247	1247	1102	1102	1247
WOLO33(H)-12	1152	1152	1152	1152	1152	1214	1214	1214	1214	1152	1152	1152	1152	1152	1152	1296	1296	1152	1152	1296
WOLO36(H)-12	1199	1199	1199	1199	1199	1262	1262	1262	1262	1199	1199	1199	1199	1199	1199	1343	1343	1199	1199	1343
WALL OPEN LTR ORGNZR - (12") - 39" & 42" H																				
WOLO24(H)-12	1079	1079	1079	1079	1079	1141	1141	1141	1141	1079	1079	1079	1079	1079	1079	1223	1223	1079	1079	1223
WOLO27(H)-12	1133	1133	1133	1133	1133	1196	1196	1196	1196	1133	1133	1133	1133	1133	1133	1277	1277	1133	1133	1277
WOLO30(H)-12	1155	1155	1155	1155	1155	1218	1218	1218	1218	1155	1155	1155	1155	1155	1155	1299	1299	1155	1155	1299
WOLO33(H)-12	1208	1208	1208	1208	1208	1270	1270	1270	1270	1208	1208	1208	1208	1208	1208	1352	1352	1208	1208	1352
WOLO36(H)-12	1258	1258	1258	1258	1258	1321	1321	1321	1321	1258	1258	1258	1258	1258	1258	1403	1403	1258	1258	1403

"(H)" Specify height

Wall Cabinets

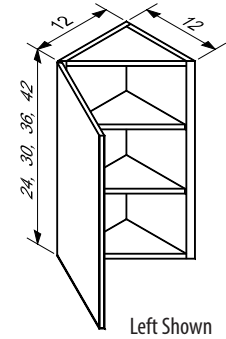
* L or R required

WALL END ANGLE

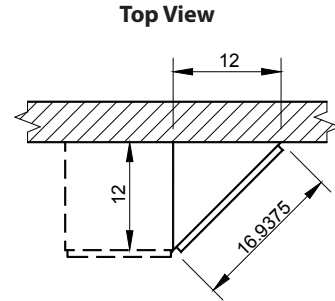
MODIFICATION LIMITS

Width No width mods
 Height 12" – 48"
 Depth No depth mods

Overall Cabinet Heights	Qty of Shelves
19" – 27"	1
27-1/4" – 36"	2
36-1/4" – 48"	3



- WEA**
- WEA1224*
 - WEA1230*
 - WEA1233*
 - WEA1236*
 - WEA1239*
 - WEA1242*

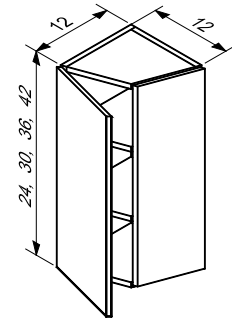


- Shelves are fixed
- Reveal at outside of door is 9/16"

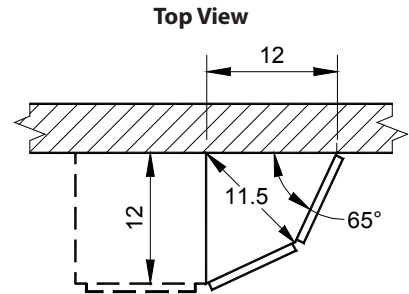
WALL END CABINET

MODIFICATION LIMITS

Width No width mods
 Height 12" – 48"
 Depth No depth mods



- WEC**
- WEC1224
 - WEC1230
 - WEC1233
 - WEC1236
 - WEC1239
 - WEC1242

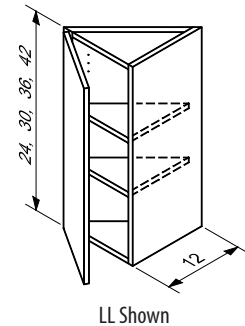


- Shelves are fixed, qty shown in chart above
- Doors are hinged on outside cabinet ends
- Reveal at outside of doors is 7/32"

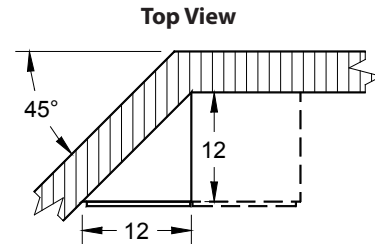
WALL ANGLE BACK

MODIFICATION LIMITS

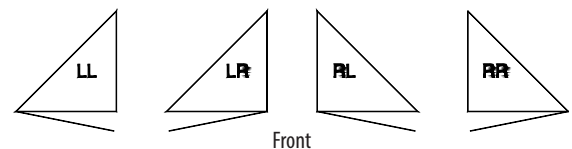
Width No width mods
 Height 12" – 48"
 Depth No depth mods



- WAB**
- WAB1224**
 - WAB1230**
 - WAB1233**
 - WAB1236**
 - WAB1239**
 - WAB1242**



Orientation / Hinging



- Reveal at outside of doors is 9/16" (on 45° side) and 1/16" on 90° side
- First "R" or "L" designation indicates which side angled back is constructed
- Second "R" or "L" designates door hinging
- Number of adjustable shelves shown in chart at top

Wall Cabinets

* L or R required

	M0	M1	M2	M3	M3A	M4	M4A	M5	M5A	M6	M6A	M7	M8	M9	M10	M11	M11A	M13	M15	M16	
WALL END ANGLE																					
WEA1224*	388	485	546	592	675	592	675	685	782	685	782	717	750	782	845	828	945	906	1053	1143	
WEA1230*	422	527	599	655	746	655	746	770	879	770	879	806	843	879	950	951	1087	1043	1213	1347	
WEA1233*	442	553	633	695	794	695	794	824	941	824	941	863	902	941	1018	1031	1179	1130	1314	1481	
WEA1236*	442	553	633	695	794	695	794	824	941	824	941	863	902	941	1018	1031	1179	1130	1314	1481	
WEA1239*	418	522	587	638	728	638	728	738	843	738	843	773	807	843	911	894	1021	979	1138	1238	
WEA1242*	418	522	587	638	728	638	728	738	843	738	843	773	807	843	911	894	1021	979	1138	1238	

	M0	M1	M2	M3	M3A	M4	M4A	M5	M5A	M6	M6A	M7	M8	M9	M10	M11	M11A	M13	M15	M16	
WALL END CABINET																					
WEC1224	669	836	931	996	1138	996	1138	1121	1282	1121	1282	1175	1230	1282	1386	1294	1482	1420	1654	1698	
WEC1230	721	901	1009	1087	1243	1087	1243	1240	1420	1240	1420	1299	1360	1420	1533	1467	1681	1610	1876	1976	
WEC1233	756	945	1060	1148	1314	1148	1314	1321	1513	1321	1513	1386	1448	1513	1635	1582	1813	1737	2025	2162	
WEC1236	756	945	1060	1148	1314	1148	1314	1321	1513	1321	1513	1386	1448	1513	1635	1582	1813	1737	2025	2162	
WEC1239	802	1002	1131	1233	1411	1233	1411	1433	1642	1433	1642	1503	1572	1642	1774	1745	2001	1915	2234	2434	
WEC1242	802	1002	1131	1233	1411	1233	1411	1433	1642	1433	1642	1503	1572	1642	1774	1745	2001	1915	2234	2434	

	M0	M1	M2	M3	M3A	M4	M4A	M5	M5A	M6	M6A	M7	M8	M9	M10	M11	M11A	M13	M15	M16	
WALL ANGLE BACK																					
WAB1224**	429	536	614	670	751	668	750	724	782	724	782	775	802	806	856	877	924	890	1001	1116	
WAB1230**	440	550	634	690	767	687	767	743	801	743	801	794	823	828	879	901	948	918	1031	1152	
WAB1233**	456	570	655	714	806	712	806	778	840	778	840	833	863	868	924	945	996	958	1079	1204	
WAB1236**	456	570	655	714	806	712	806	778	840	778	840	833	863	868	924	945	996	958	1079	1204	
WAB1239**	491	614	709	784	885	782	885	850	933	850	933	907	941	950	1013	1033	1089	1065	1202	1342	
WAB1242**	491	614	709	784	885	782	885	850	933	850	933	907	941	950	1013	1033	1089	1065	1202	1342	

** LL, LR, RR or RL required

Wall Cabinets

* L or R required

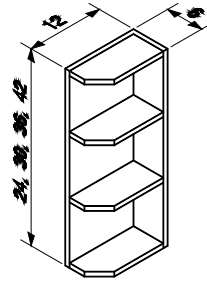
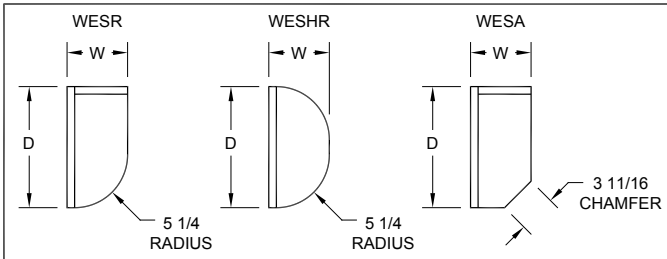
WALL END SHELF – 6" WIDE

MODIFICATION LIMITS

Width 6" – 12"
 Height 18" – 60"
 Depth 6" – 24"

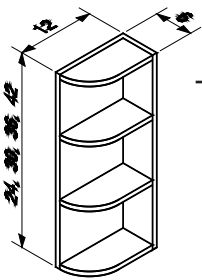
- Constructed of 3/4" thick edge-taped material
- Right or Left determined by side of cabinet end shelf is to be applied to
- Clearance between shelves ranges from a minimum of 8" to a maximum of 12"

TOP VIEWS



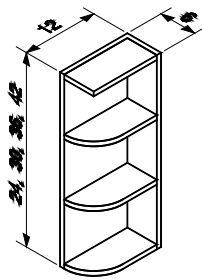
WESASM

WESA0624
 WESA0630
 WESA0633
 WESA0636
 WESA0639
 WESA0642
 Reversible



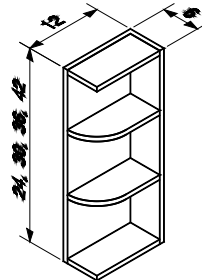
WESRSM

WESR0624
 WESR0630
 WESR0633
 WESR0636
 WESR0639
 WESR0642
 Reversible



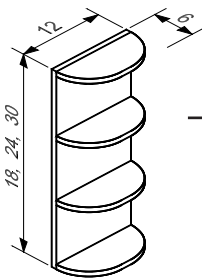
WESRS1SM

WESR0624S1*
 WESR0630S1*
 WESR0633S1*
 WESR0636S1*
 WESR0639S1*
 WESR0642S1*
 Right Shown



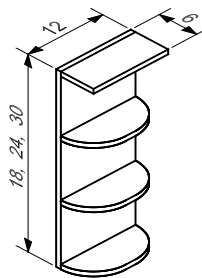
WESRS2SM

WESR0624S2
 WESR0630S2
 WESR0633S2
 WESR0636S2
 WESR0639S2
 WESR0642S2
 Reversible



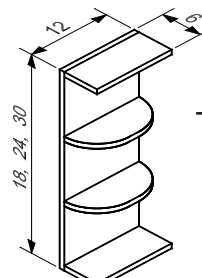
WESHRSM

WESHR0618
 WESHR0624
 WESHR0630
 Reversible



WESHR1SM

WESHR0618S1
 WESHR0624S1
 WESHR0630S1
 Reversible



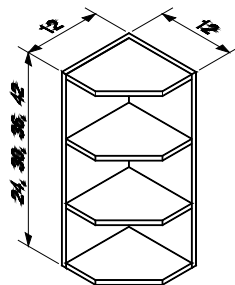
WESHR2SM

WESHR0618S2
 WESHR0624S2
 WESHR0630S2
 Reversible

WALL END SHELF – 12" WIDE

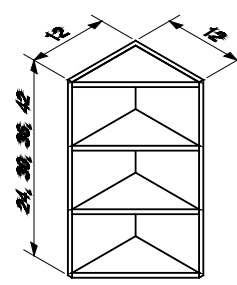
MODIFICATION LIMITS

Width No Width Mods
 Height 18" – 60"
 Depth No Depth Mods



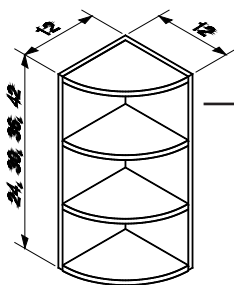
WESALG

WESA1224
 WESA1230
 WESA1233
 WESA1236
 WESA1239
 WESA1242
 Reversible



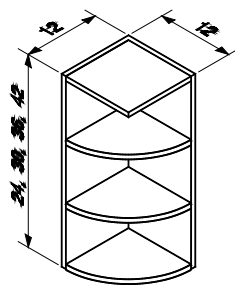
WESDLG

WESD1224
 WESD1230
 WESD1233
 WESD1236
 WESD1239
 WESD1242
 Reversible



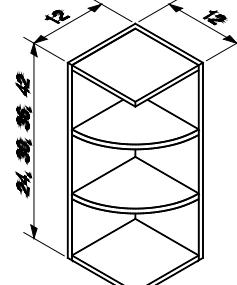
WESRLG

WESR1224
 WESR1230
 WESR1233
 WESR1236
 WESR1239
 WESR1242
 Reversible



WESR1LG

WESR1224S1
 WESR1230S1
 WESR1233S1
 WESR1236S1
 WESR1239S1
 WESR1242S1
 Reversible



WESRS2LG

WESR1224S2
 WESR1230S2
 WESR1233S2
 WESR1236S2
 WESR1239S2
 WESR1242S2
 Reversible

Wall Cabinets

* L or R required

	M0	M1	M2	M3	M3A	M4	M4A	M5	M5A	M6	M6A	M7	M8	M9	M10	M11	M11A	M13	M15	M16
WALL END SHELVES - 6" W																				
WESA0624*	324	324	324	324	324	324	324	324	324	324	324	324	324	324	324	324	324	324	324	324
WESA0630*	363	363	363	363	363	363	363	363	363	363	363	363	363	363	363	363	363	363	363	363
WESA06(33 or 36)*	402	402	402	402	402	402	402	402	402	402	402	402	402	402	402	402	402	402	402	402
WESA06(39 or 42)*	458	458	458	458	458	458	458	458	458	458	458	458	458	458	458	458	458	458	458	458
WESR0624*	324	324	324	324	324	324	324	324	324	324	324	324	324	324	324	324	324	324	324	324
WESR0630*	363	363	363	363	363	363	363	363	363	363	363	363	363	363	363	363	363	363	363	363
WESR06(33 or 36)*	402	402	402	402	402	402	402	402	402	402	402	402	402	402	402	402	402	402	402	402
WESR06(39 or 42)*	458	458	458	458	458	458	458	458	458	458	458	458	458	458	458	458	458	458	458	458
WESR0624S1*	324	324	324	324	324	324	324	324	324	324	324	324	324	324	324	324	324	324	324	324
WESR0630S1*	363	363	363	363	363	363	363	363	363	363	363	363	363	363	363	363	363	363	363	363
WESR06(33 or 36)S1*	402	402	402	402	402	402	402	402	402	402	402	402	402	402	402	402	402	402	402	402
WESR06(39 or 42)S1*	458	458	458	458	458	458	458	458	458	458	458	458	458	458	458	458	458	458	458	458
WESR0624S2*	324	324	324	324	324	324	324	324	324	324	324	324	324	324	324	324	324	324	324	324
WESR0630S2*	363	363	363	363	363	363	363	363	363	363	363	363	363	363	363	363	363	363	363	363
WESR06(33 or 36)S2*	402	402	402	402	402	402	402	402	402	402	402	402	402	402	402	402	402	402	402	402
WESR06(39 or 42)S2*	458	458	458	458	458	458	458	458	458	458	458	458	458	458	458	458	458	458	458	458
WESHR0618	285	285	285	285	285	285	285	285	285	285	285	285	285	285	285	285	285	285	285	285
WESHR0624	324	324	324	324	324	324	324	324	324	324	324	324	324	324	324	324	324	324	324	324
WESHR0630	363	363	363	363	363	363	363	363	363	363	363	363	363	363	363	363	363	363	363	363
WESHR0618S1	285	285	285	285	285	285	285	285	285	285	285	285	285	285	285	285	285	285	285	285
WESHR0624S1	324	324	324	324	324	324	324	324	324	324	324	324	324	324	324	324	324	324	324	324
WESHR0630S1	363	363	363	363	363	363	363	363	363	363	363	363	363	363	363	363	363	363	363	363
WESHR0618S2	285	285	285	285	285	285	285	285	285	285	285	285	285	285	285	285	285	285	285	285
WESHR0624S2	324	324	324	324	324	324	324	324	324	324	324	324	324	324	324	324	324	324	324	324
WESHR0630S2	363	363	363	363	363	363	363	363	363	363	363	363	363	363	363	363	363	363	363	363

Specify 33", 36", 39" or 42" H where indicated

WALL END SHELVES - 12" W																				
WESA1224	373	373	373	373	373	373	373	373	373	373	373	373	373	373	373	373	373	373	373	373
WESA1230	412	412	412	412	412	412	412	412	412	412	412	412	412	412	412	412	412	412	412	412
WESA12(33 or 36)	451	451	451	451	451	451	451	451	451	451	451	451	451	451	451	451	451	451	451	451
WESA12(39 or 42)	524	524	524	524	524	524	524	524	524	524	524	524	524	524	524	524	524	524	524	524
WESD1224	373	373	373	373	373	373	373	373	373	373	373	373	373	373	373	373	373	373	373	373
WESD1230	412	412	412	412	412	412	412	412	412	412	412	412	412	412	412	412	412	412	412	412
WESD12(33 or 36)	451	451	451	451	451	451	451	451	451	451	451	451	451	451	451	451	451	451	451	451
WESD12(39 or 42)	524	524	524	524	524	524	524	524	524	524	524	524	524	524	524	524	524	524	524	524
WESR1224	373	373	373	373	373	373	373	373	373	373	373	373	373	373	373	373	373	373	373	373
WESR1230	412	412	412	412	412	412	412	412	412	412	412	412	412	412	412	412	412	412	412	412
WESR12(33 or 36)	451	451	451	451	451	451	451	451	451	451	451	451	451	451	451	451	451	451	451	451
WESR12(39 or 42)	524	524	524	524	524	524	524	524	524	524	524	524	524	524	524	524	524	524	524	524
WESR1224S1	373	373	373	373	373	373	373	373	373	373	373	373	373	373	373	373	373	373	373	373
WESR1230S1	412	412	412	412	412	412	412	412	412	412	412	412	412	412	412	412	412	412	412	412
WESR12(33 or 36)S1	451	451	451	451	451	451	451	451	451	451	451	451	451	451	451	451	451	451	451	451
WESR12(39 or 42)S1	524	524	524	524	524	524	524	524	524	524	524	524	524	524	524	524	524	524	524	524
WESR1224S2	373	373	373	373	373	373	373	373	373	373	373	373	373	373	373	373	373	373	373	373
WESR1230S2	412	412	412	412	412	412	412	412	412	412	412	412	412	412	412	412	412	412	412	412
WESR12(33 or 36)S2	451	451	451	451	451	451	451	451	451	451	451	451	451	451	451	451	451	451	451	451
WESR12(39 or 42)S2	524	524	524	524	524	524	524	524	524	524	524	524	524	524	524	524	524	524	524	524

Specify 33", 36", 39" or 42" H where indicated

Wall Cabinets

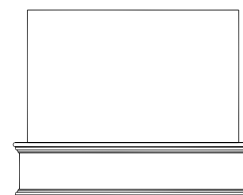
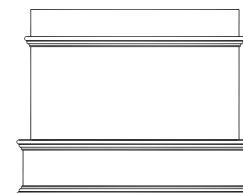
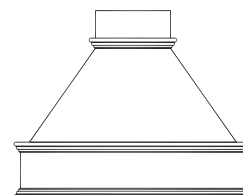
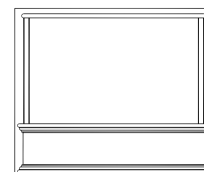
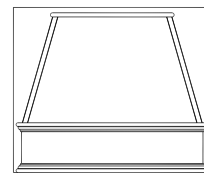
<< Intentionally Blank >>

Wall Cabinets – Wood Hoods

WOOD HOODS

General Information

- Five different types of hoods are available and each have several canopy, chimney and valance design options (see individual hoods)
- Accepts our standard powered hood liners (available with a variety of size, power and lighting options)
 - Order with or without the powered hood liner
- Available in two depths for standard and pro-style residential ranges and cooktops
- Species: available in most (exceptions below)
 - Rustic species available in select canopies only; specified with individual hoods
 - Rift White Oak is not available with canopy option 'E'
 - Not available: Any Bamboo, Exotic Veneer or VG Fir
 - Not available with any laminates: LPL, HPL, Greenlam, Foil, Thermofoil or TSS
- Species and color will match door
- Constructed of solid wood and plywood Veneer
- Available with all Finish Enhancements
 - Distressing note: solid wood pieces will show heavier and more distress marks than wood Veneer components
- Fully assembled and cartoned for shipping



HOW TO ORDER WOOD HOODS

Style	Width	Height	Depth	Valance option	Canopy option	Chimney option	"-"	* Power Liner opt.
H1F	36	30	X 20	A	E	if required	-	625

*Power liners:
refer to wood hood pricing pages and liner specs to find compatible liners for each hood
(blank = no liner | NV = Non venting liner)

If you order a wood hood without our standard hood liner, it is your responsibility to ensure that the hood liner fits.

Wall Cabinets – Wood Hoods

H1F Wood Hood (H1F_)

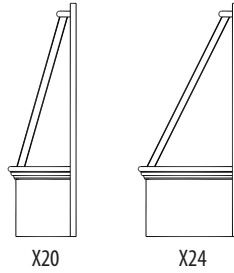
- Tapered front and sides
- Designed to be installed between two cabinets
- Rustic available with canopy option D only
- Loose filler kit (HFK) required; order size indicated on pricing pages

Valance Options (listed first in nomenclature):

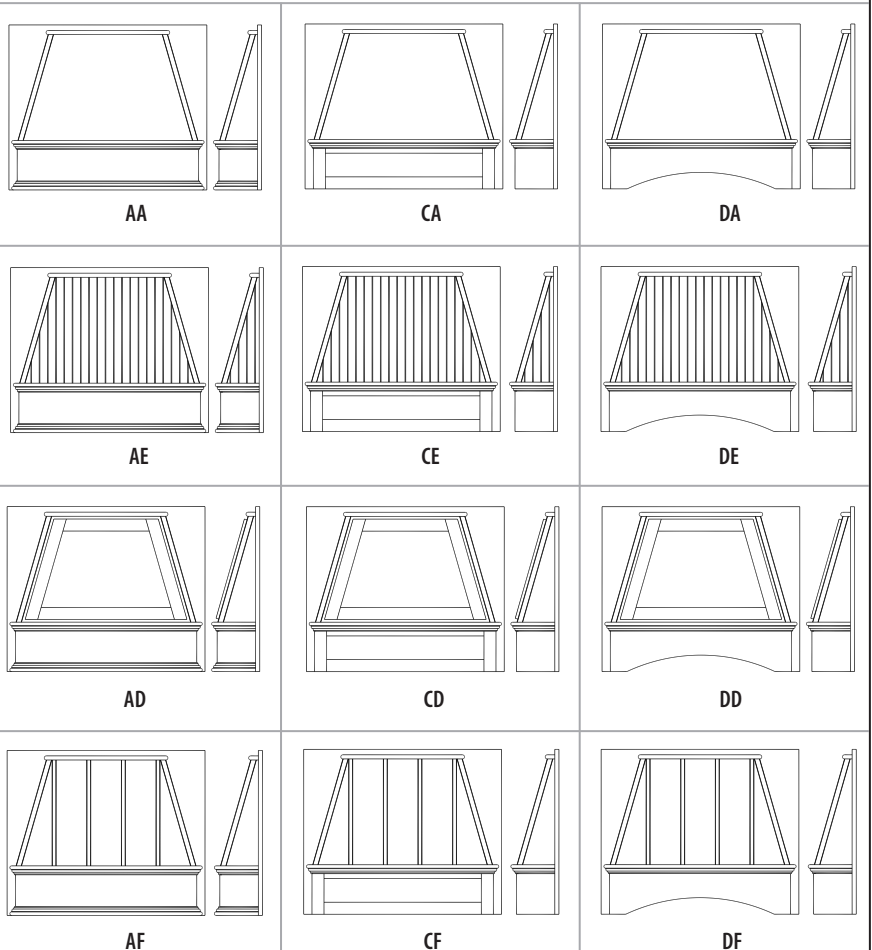
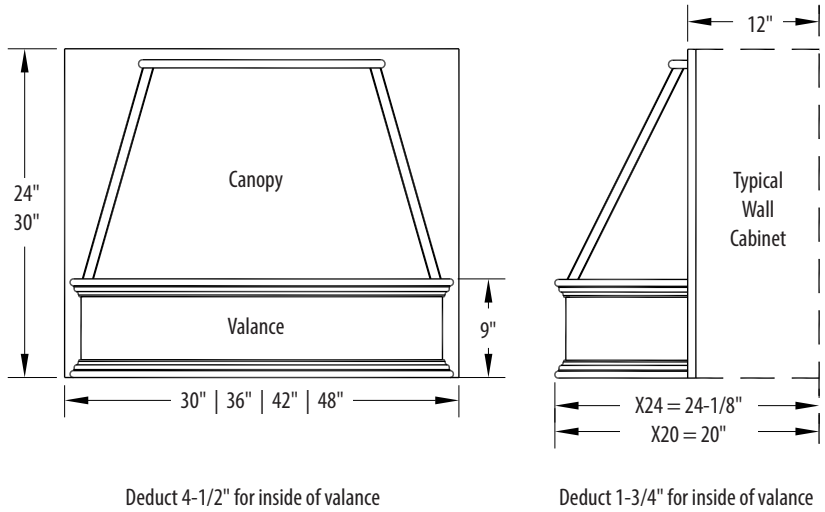
A	Flush face with hood moulding top and bottom
B	Integrated door panel with hood moulding top only
C	Valances with panels will follow DFMD drawer front rules. Exception: Applied Moulding styles will have recessed panels with 2-1/4" rails.
	Valances will have a single panel. Exception: Cape Cod Solid – vertical grain double panel will be used for 42" and 48" W.
	Not available: Mitered, Thermofoil or Normandy
D	Flush arched face with hood moulding top only

Canopy Options (listed second in nomenclature):

A	Flush (vertical grain)
B	Flush (vertical grain) with plant-on door 42" & 48" W: plant-on door will have center mullion with two panels
D	Not available: Roman, Center, Mitered, Wood Veneer, Solid Wood Slab, LPL, HPL, Thermofoil, or Normandy
E	Flush beaded panel with vertical grain Not available: Cape Cod Solid or Rift White Oak
F	Flush (vertical grain) with 1/4" x 3/4" batten strips Quantity per width: 30" = 3 36" = 4 42" = 5 48" = 6



H1F Hoods	
W	30" 36" 42" 48"
H	24" 30"
D	20" 24" (Nominal)
Modification Limits	
W H D	N/A



HOW TO ORDER

Style +	Width +	Height +	Depth +	Valance option	Canopy option	"-" +	Pwr Liner opt.
H1F	36	30	X 20	A	E	-	625
1	HFK320 (Loose filler kit)						

See pg W-100, 101 for H1F pricing

Wall Cabinets – Wood Hoods

H2F Wood Hood (H2F_)

- Tapered front and square sides
- Designed to be installed between two cabinets
- Rustic available with canopy option D only
- Loose filler kit (HFK) required; order size indicated on pricing pages

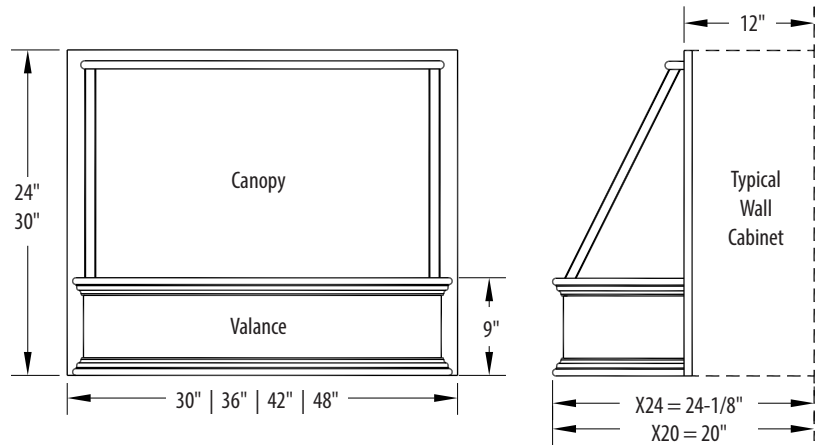
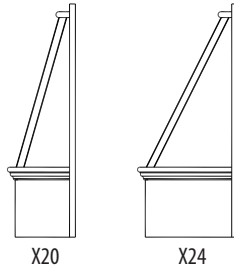
Valance Options (listed first in nomenclature):

A	Flush face with hood moulding top and bottom
C	Integrated door panel with hood moulding top only
	Valances with panels will follow DFMD drawer front rules. Exception: Applied Moulding styles will have recessed panels with 2-1/4" rails.
	Valances will have a single panel. Exception: Cape Cod Solid – vertical grain double panel will be used for 42" and 48" W.
	Not availabl: Mitered, Thermofoil or Normandy
D	Flush arched face with hood moulding top only

Canopy Options (listed second in nomenclature):

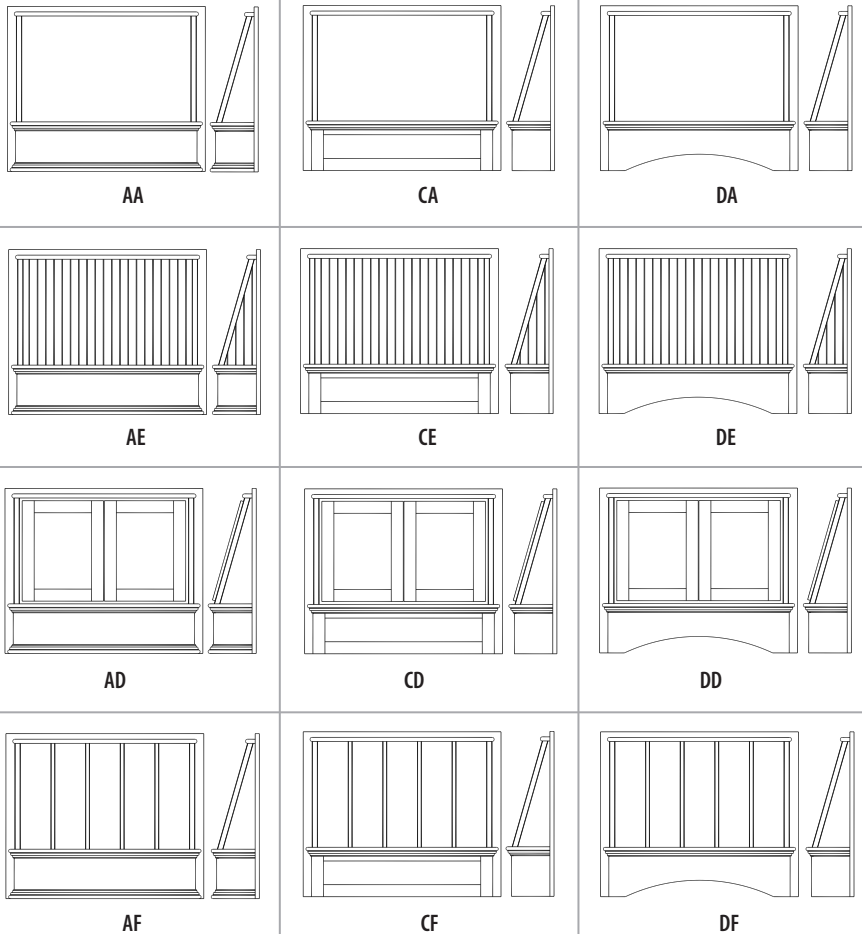
A	Flush (vertical grain)
D	Flush (vertical grain) with plant-on door
	Not available: Wood Veneer, Solid Wood Slab, LPL, HPL or Thermofoil
E	Flush beaded panel with vertical grain
	Not available: Cape Cod Solid or Rift White Oak
F	Flush (vertical grain) with 1/4" x 3/4" batten strips Quantity per width: 30" = 3 36" = 4 42" = 5 48" = 6

H2F Hoods	
W	30" 36" 42" 48"
H	24" 30"
D	20" 24" (Both nominal)
Modification Limits	
W H D	N/A



Deduct 4-1/2" for inside of valance

Deduct 1-3/4" for inside of valance



HOW TO ORDER

Style +	Width +	Height +	Depth +	Valance option	Canopy option	"-" +	Pwr Liner opt.
H2F	36	30	X 20	A	E	-	625
1	HFK320 (Loose filler kit)						

See pg W-102, 103 for H2F pricing

Wall Cabinets – Wood Hoods

Wood Hood #1 (H1S_ & H1T_)

- Tapered front and sides
- Rustic available with canopy options B and C only
- Height modifications made to chimney section

Valance Options (listed first in nomenclature):

A	Flush face with hood moulding top and bottom
B	Panel face and sides with hood moulding top only
C	Panel face, flush sides with hood moulding top only
B & C notes	Valances with panels will follow DFMD drawer front rules. Exception: Applied Moulding styles will have recessed panels with 2-1/4" rails.
	Valances will have a single panel. Exception: Cape Cod Solid – vertical grain double panel will be used for 42" and 48" W
	Not available: Mitered, Thermofoil or Normandy
D	Flush arched face with hood moulding top only

Canopy Options (listed second in nomenclature):

A	Flush (vertical grain)
B	Panel face and sides
C	Panel face and flush sides

Canopies with panels will have a single panel for 36" W and double panels for 42" & 48" W

Not available: Roman, Center, Mitered, Wood Veneer, Solid Wood Slab, LPL, HPL, Thermofoil, or Normandy

Chimney (listed third in nomenclature):

A	Flush (vertical grain)
---	------------------------

Width and depth callouts are nominal, overall sizes include moulding

Nominal W	Overall W	Chimney W
36	38	12
42	44	18
48	50	24

Nominal D	Overall D	Chimney D
24	25	12

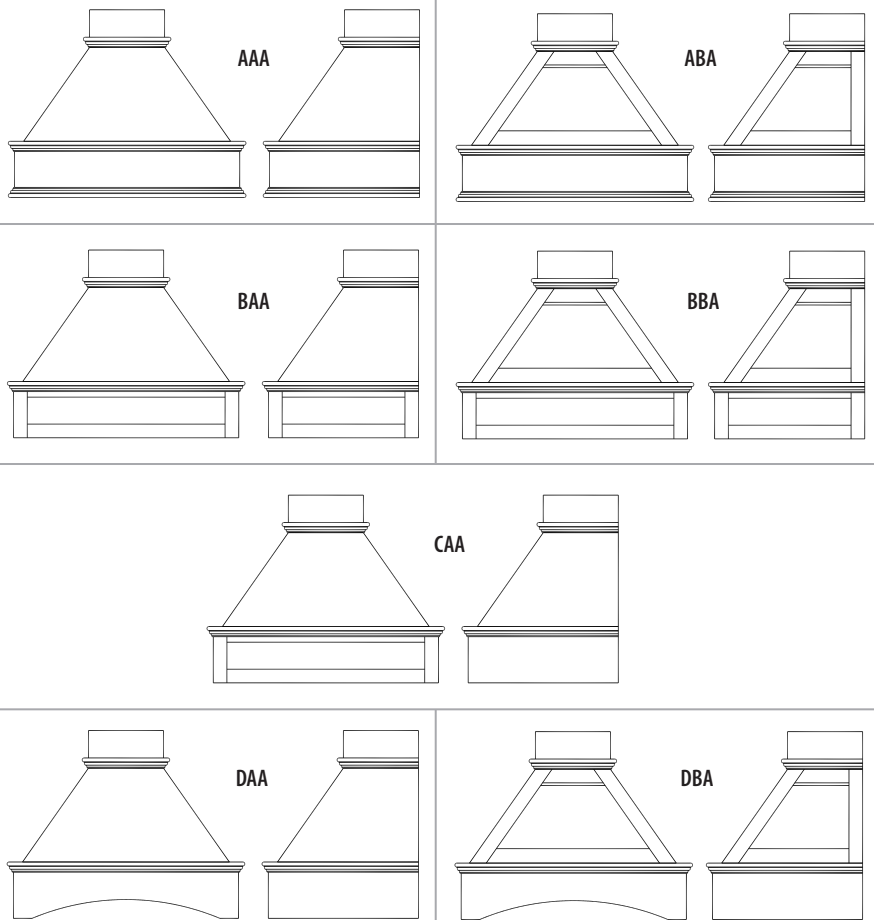
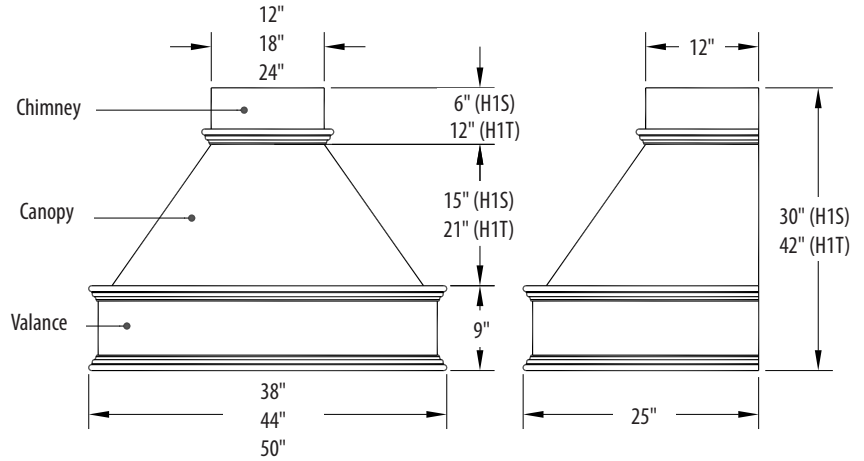
HOW TO ORDER

Style +	Width +	Height +	Depth +	Valance	Canopy	Chmy	Pwr Liner opt.
H1S	36	30	X 24	A	B	A	- 750

See pg W-104 for H1S & H1T pricing

H1S and H1T Hoods	
W	36" 42" 48" (All nominal)
H	30" (H1S) 42" (H1T)
D	24" (Nominal)

Modification Limits	
W D	N/A
H	27 - 54" (H1S) 33 - 60" (H1T)



Wall Cabinets – Wood Hoods

Wood Hood #2 (H2S_ & H2T_)

- Tapered front and square sides
- Rustic available with canopy option C only
- Height modifications made to chimney section

Valance Options (listed first in nomenclature):

A	Flush face with hood moulding top and bottom
C	Integrated door panel with hood moulding top only
	Valances with panels will follow DFMD drawer front rules. Exception: Applied Moulding styles will have recessed panels with 2-1/4" rails.
D	Valances will have a single panel. Exception: Cape Cod Solid – vertical grain double panel will be used for 42" and 48" W.
	Not available: Mitered, Thermofoil or Normandy
D	Flush arched face with hood moulding top only

Canopy Options (listed second in nomenclature):

A	Flush (vertical grain)
C	Panel face and flush sides

Canopies with panels will have a single panel for 36" W and double panels for 42" & 48" W (Center styles will have three panels for 36" W and four panels for 42" & 48" W)

Not available: Roman, Mitered, Wood Veneer, Solid Wood Slab, LPL, HPL, Thermofoil, or Normandy

Chimney (listed third in nomenclature):

A	Flush (vertical grain)
---	------------------------

Width and depth callouts are nominal, overall sizes include moulding

Nominal W	Overall W	Chimney W
30	32	27-1/2
36	38	33-1/2
42	44	39-1/2
48	50	45-1/2

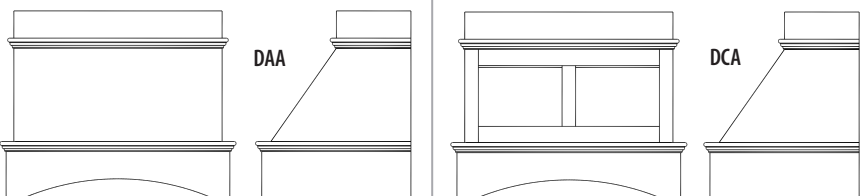
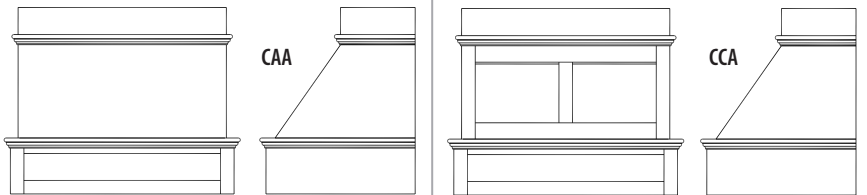
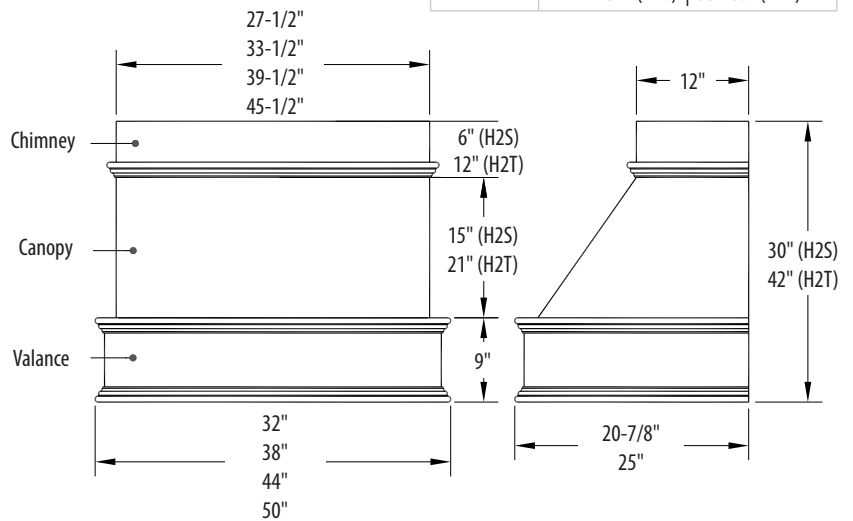
Nominal D	Overall D	Chimney D
20	20-7/8	12
24	25	12

HOW TO ORDER

Style +	Width +	Height +	Depth +	Valance	Canopy	Chmy	Pwr Liner opt.
H2S	36	30	X 20	A	C	A	- 750

See pg W-104, 105 for H2S & H2T pricing

H2S and H2T Hoods	
W	30" 36" 42" 48" (All nominal)
H	30" (H2S) 42" (H2T)
D	20" 24" (Both nominal)
Modification Limits	
W D	N/A
H	27 - 54" (H2S) 33 - 60" (H2T)



Wall Cabinets – Wood Hoods

Wood Hood #3 (H3S_ & H3T_)

- Square (vertical) front and sides (upper section is Chimney)
- Rustic available with canopy option C only
- Height modifications made to chimney section

Valance Options (listed first in nomenclature):

A	Flush face with hood moulding top and bottom
C	Integrated door panel with hood moulding top only
	Valances with panels will follow DFMD drawer front rules. Exception: Applied Moulding styles will have recessed panels with 2-1/4" rails
	Valances will have a single panel. Exception: Cape Cod Solid – vertical grain double panel will be used for 42" and 48" W
D	Flush arched face with hood moulding top only

Chimney Options (listed second in nomenclature):

A	Flush (vertical grain)
C	Panel face and flush sides

Chimneys with panels will have a single panel for 36" W and double panels for 42" & 48" W (Center styles will have three panels for 36" W and four panels for 42" & 48" W)

Not available: Roman, Mitered, Wood Veneer, Solid Wood Slab, LPL, HPL, Thermofoil, or Normandy

Width and depth callouts are nominal, overall sizes include moulding

Nominal W	Overall W	Chimney W
30	32	27-1/2
36	38	33-1/2
42	44	39-1/2
48	50	45-1/2

Nominal D	Overall D	Chimney D
20	20-7/8	16
24	25	20-1/8

HOW TO ORDER

Style +	Width +	Height +	Depth +	Valance	Chimney		Pwr Liner opt.
H3T	36	42	X 24	A	C	-	750

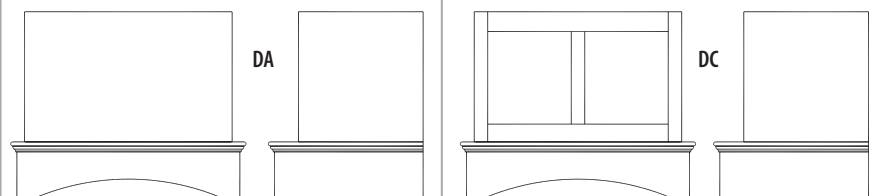
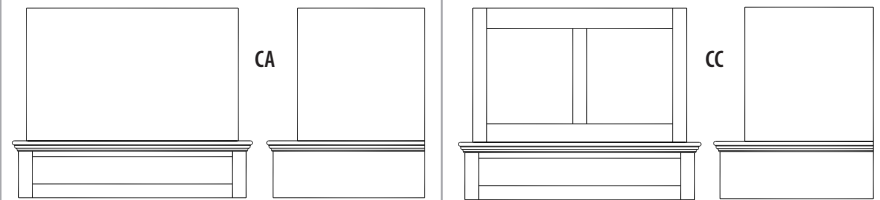
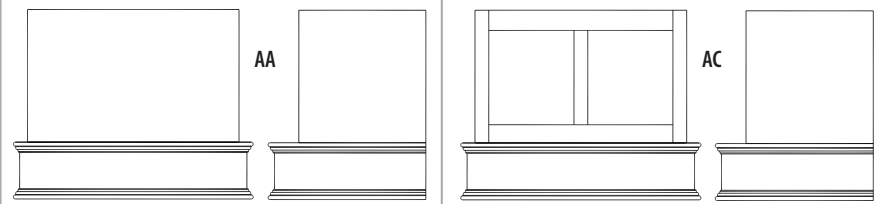
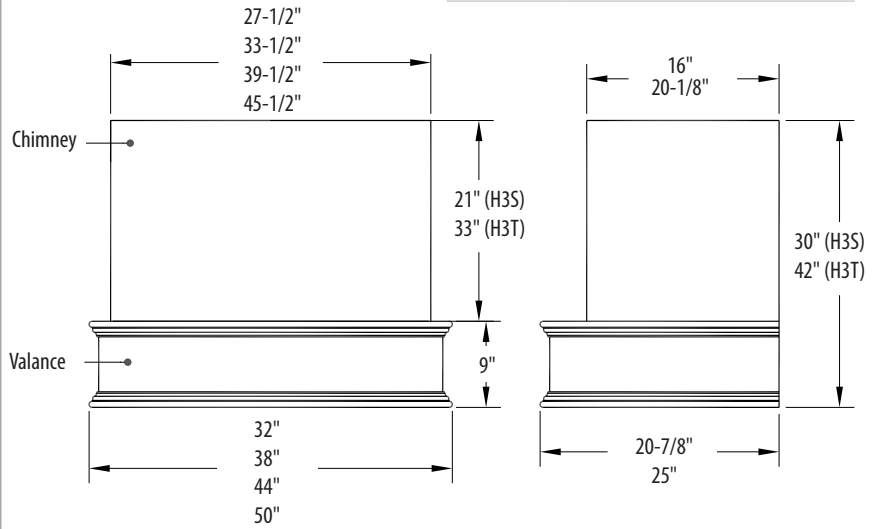
HOW TO ORDER w/ Modified sizes

Style +	Width +	Height +	Depth +	Valance	Chimney		Pwr Liner opt.
H3	36	40	X 24	A	C	-	1250

See pg W-106, 107 for H3S & H3T pricing

H3S and H3T Hoods	
W	30" 36" 42" 48" (All nominal)
H	30" (H3S) 42" (H3T)
D	20" 24" (Both nominal)

Modification Limits	
W D	N/A
H	27 - 60"



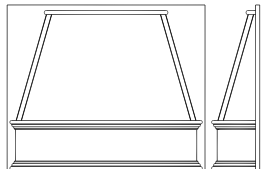
Wall Cabinets

Continue for Hood Price Lists and
Power Hood Liner specifications >>

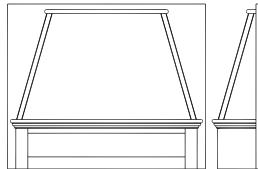
Wall Cabinets – H1F Wood Hood Pricing

H1F Wood Hood	Powered Hood Liner Included	MSRP												Power Liner Size Needed		Filler Kit Req'd	
		AA	AD	AE	AF	CA	CD	CE	CF	DA	DD	DE	DF	W	D		
24" H x 20" D																	
H1F3024X20	-	1319	1704	1387	1404	1447	1832	1515	1531	1421	1806	1489	1506	25.375	18.125	HFK212	
H1F3024X20-360	C2027SD2	2824	3209	2892	2909	2951	3336	3019	3036	2926	3311	2993	3010				
H1F3024X20-430	C2027SD4	3406	3791	3473	3490	3533	3918	3601	3618	3507	3892	3575	3592				
H1F3024X20-625	C2027BP1	4735	5120	4803	4820	4862	5247	4930	4947	4837	5222	4905	4922				
H1F3624X20	-	1382	1827	1459	1467	1518	1962	1594	1603	1492	1937	1569	1577	28.375	18.125		
H1F3624X20-625	C2030BP1	4798	5242	4874	4883	4934	5378	5010	5018	4908	5353	4985	4993				
H1F3624X20-735	C2030BP	5500	5944	5576	5585	5636	6080	5712	5721	5610	6055	5687	5695				
H1F3624X20-430	C2030SD4	3468	3913	3545	3553	3604	4048	3680	3689	3579	4023	3655	3663				
H1F3624X20-360	C2030SD2	3194	3638	3270	3278	3329	3774	3406	3414	3304	3748	3380	3389				
H1F3624X20-NV	C2030SD2NV	3285	3730	3361	3370	3421	3865	3497	3506	3395	3840	3472	3480	34.375	18.125	HFK320	
H1F4224X20	-	1447	1949	1531	1574	1591	2093	1676	1718	1565	2067	1650	1693				
H1F4224X20-625	C2036BP1	5015	5517	5100	5142	5159	5661	5244	5286	5134	5636	5219	5261				
H1F4224X20-735	C2036BP	5726	6228	5810	5853	5870	6372	5955	5997	5844	6346	5929	5972				
H1F4224X20-1250	C2036BP1-TW	6123	6625	6207	6250	6267	6769	6352	6394	6241	6743	6326	6368				
H1F4224X20-430	C2036SD4	3640	4142	3724	3767	3784	4286	3869	3911	3758	4260	3843	3886				
H1F4224X20-360	C2036SD2	3356	3858	3441	3484	3501	4003	3585	3628	3475	3977	3560	3602				
H1F4224X20-NV	C2036SD2NV	3426	3928	3511	3553	3570	4072	3655	3697	3545	4047	3629	3672				
H1F4824X20	-	1511	2069	1604	1638	1664	2222	1757	1791	1638	2196	1732	1766	40.375	18.125		
H1F4824X20-625	C2042BP1	5208	5766	5302	5336	5361	5919	5454	5488	5336	5894	5429	5463				
H1F4824X20-735	C2042BP	5919	6477	6012	6046	6072	6630	6165	6199	6046	6604	6140	6173				
H1F4824X20-1250	C2042BP1-TW	6324	6882	6418	6452	6477	7035	6570	6604	6452	7010	6545	6579				
H1F4824X20-430	C2042SD4	3811	4369	3904	3938	3964	4522	4057	4091	3938	4496	4031	4065				
H1F4824X20-360	C2042SD2	3528	4086	3621	3655	3680	4238	3774	3808	3655	4213	3748	3782				
24" H x 24" D																	
H1F3624X24	-	1450	1942	1526	1535	1577	2069	1654	1662	1552	2044	1628	1637	28.375	22.25	HFK324	
H1F3624X24-750	C2030PS	6438	6930	6514	6523	6565	7057	6642	6650	6540	7032	6616	6625				
H1F4224X24	-	1521	2096	1606	1606	1657	2232	1742	1742	1632	2206	1716	1716	34.375	22.25		
H1F4224X24-750	C2036PS	6694	7269	6779	6779	6830	7405	6915	6915	6804	7379	6889	6889				
H1F4224X24-1270	C2036PS1-TW	7786	8361	7871	7871	7922	8497	8007	8007	7897	8472	7981	7981	40.375	22.25		
H1F4824X24	-	1593	2251	1686	1720	1737	2395	1830	1864	1711	2369	1805	1838				
H1F4824X24-750	C2042PS	6910	7568	7003	7037	7054	7712	7147	7181	7028	7686	7122	7155				
H1F4824X24-1270	C2042PS1-TW	8048	8706	8141	8175	8192	8850	8285	8319	8166	8824	8260	8293				

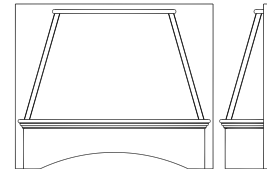
See pg W-94 for H1F specifications | See pg W-108 for Filler Kit Pricing



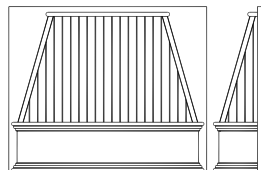
AA



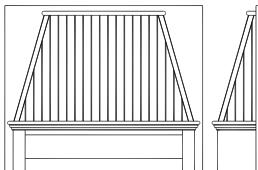
CA



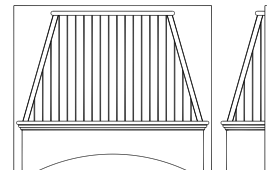
DA



AE



CE

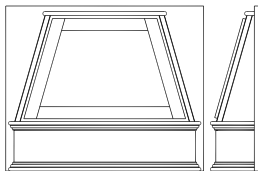


DE

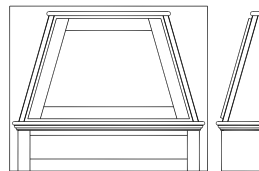
Wall Cabinets – H1F Wood Hood Pricing

H1F Wood Hood	Powered Hood Liner Included	MSRP												Power Liner Size Needed		Filler Kit Req'd			
		AA	AD	AE	AF	CA	CD	CE	CF	DA	DD	DE	DF	W	D				
30" H x 20" D																			
H1F3030X20	-	1662	2405	1764	1789	1815	2558	1916	1942	1789	2532	1891	1916	25.375	18.125	HFK1212			
H1F3030X20-360	C2027SD2	3166	3909	3268	3294	3319	4062	3421	3446	3294	4036	3395	3421						
H1F3030X20-430	C2027SD4	3748	4491	3850	3875	3901	4644	4003	4028	3875	4618	3977	4003						
H1F3030X20-625	C2027BP1	5078	5821	5180	5205	5230	5973	5332	5358	5205	5948	5307	5332						
H1F3630X20	-	1452	1935	1528	1537	1587	2071	1664	1672	1562	2045	1638	1647	28.375	18.125				
H1F3630X20-625	C2030BP1	4868	5351	4944	4952	5003	5487	5080	5088	4978	5461	5054	5063						
H1F3630X20-735	C2030BP	5570	6053	5646	5654	5705	6189	5782	5790	5680	6163	5756	5765						
H1F3630X20-430	C2030SD4	3538	4021	3614	3623	3674	4157	3750	3758	3648	4131	3724	3733						
H1F3630X20-360	C2030SD2	3263	3746	3339	3348	3399	3882	3475	3484	3373	3857	3450	3458						
H1F3630X20-NV	C2030SD2NV	3355	3838	3431	3439	3490	3974	3567	3575	3465	3948	3541	3550	34.375	18.125	HFK320			
H1F4230X20	-	1520	2067	1604	1647	1664	2212	1749	1791	1638	2186	1723	1766						
H1F4230X20-625	C2036BP1	5088	5636	5173	5215	5232	5780	5317	5359	5207	5755	5292	5334						
H1F4230X20-735	C2036BP	5799	6346	5883	5926	5943	6491	6028	6070	5917	6465	6002	6045						
H1F4230X20-1250	C2036BP1-TW	6195	6743	6280	6323	6340	6887	6424	6467	6314	6862	6399	6441						
H1F4230X20-430	C2036SD4	3713	4260	3797	3840	3857	4405	3942	3984	3831	4379	3916	3958						
H1F4230X20-360	C2036SD2	3429	3977	3514	3557	3573	4121	3658	3701	3548	4096	3633	3675						
H1F4230X20-NV	C2036SD2NV	3499	4047	3584	3626	3643	4191	3728	3770	3618	4165	3702	3745						
H1F4830X20	-	1587	2200	1681	1715	1740	2352	1833	1867	1715	2327	1808	1842				40.375	18.125	
H1F4830X20-625	C2042BP1	5285	5897	5378	5412	5437	6050	5531	5565	5412	6024	5505	5539						
H1F4830X20-735	C2042BP	5995	6608	6089	6123	6148	6760	6241	6275	6123	6735	6216	6250						
H1F4830X20-1250	C2042BP1-TW	6401	7013	6494	6528	6553	7166	6647	6681	6528	7140	6621	6655						
H1F4830X20-430	C2042SD4	3887	4499	3981	4014	4040	4652	4133	4167	4014	4627	4108	4142						
H1F4830X20-360	C2042SD2	3604	4216	3697	3731	3757	4369	3850	3884	3731	4343	3824	3858						
30" H x 24" D																			
H1F3630X24	-	1598	2200	1682	1682	1733	2335	1818	1818	1708	2310	1793	1793	28.375	22.25	HFK324			
H1F3630X24-750	C2030PS	6586	7188	6670	6670	6721	7323	6806	6806	6696	7298	6781	6781						
H1F4230X24	-	1671	2364	1764	1798	1815	2508	1908	1942	1789	2483	1883	1916	34.375	22.25				
H1F4230X24-750	C2036PS	6843	7537	6937	6971	6988	7681	7081	7115	6962	7656	7055	7089						
H1F4230X24-1270	C2036PS1-TW	7936	8629	8029	8063	8080	8773	8173	8207	8054	8748	8148	8182						
H1F4830X24	-	1688	2469	1789	1815	1840	2622	1942	1967	1815	2597	1916	1942	40.375	22.25				
H1F4830X24-750	C2042PS	7004	7786	7106	7132	7157	7939	7259	7284	7132	7914	7233	7259						
H1F4830X24-1270	C2042PS1-TW	8142	8924	8244	8270	8295	9077	8397	8422	8270	9052	8371	8397						

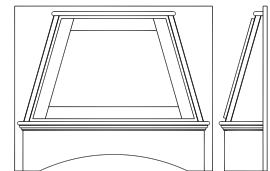
See pg W-94 for H1F specifications | See pg W-108 for Filler Kit Pricing



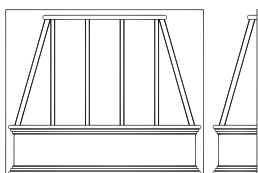
AD



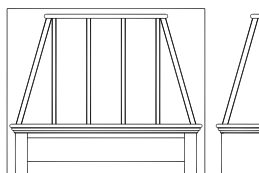
CD



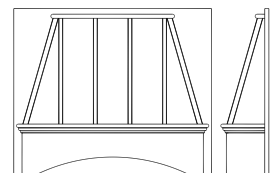
DD



AF



CF

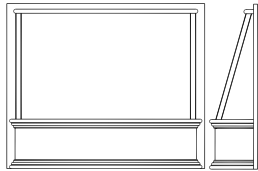


DF

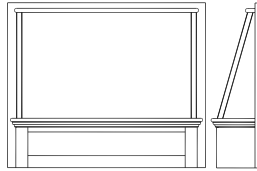
Wall Cabinets – H2F Wood Hood Pricing

H2F Wood Hood	Powered Hood Liner Included	MSRP												Power Liner Size Needed		Filler Kit Req'd			
		AA	AD	AE	AF	CA	CD	CE	CF	DA	DD	DE	DF	W	D				
24" H x 20" D																			
H2F3024X20	-	1336	1626	1404	1421	1464	1754	1531	1548	1438	1728	1506	1523	25.375	18.125	HFK212			
H2F3024X20-360	C2027SD2	2841	3131	2909	2926	2968	3258	3036	3053	2943	3233	3010	3027						
H2F3024X20-430	C2027SD4	3423	3713	3490	3507	3550	3840	3618	3635	3524	3814	3592	3609						
H2F3024X20-625	C2027BP1	4752	5042	4820	4837	4879	5169	4947	4964	4854	5144	4922	4939	28.375	18.125				
H2F3624X20	-	1401	1749	1477	1486	1537	1884	1613	1621	1511	1859	1587	1596						
H2F3624X20-625	C2030BP1	4817	5164	4893	4901	4952	5300	5029	5037	4927	5275	5003	5012						
H2F3624X20-735	C2030BP	5519	5866	5595	5604	5654	6002	5731	5739	5629	5977	5705	5714						
H2F3624X20-430	C2030SD4	3487	3835	3563	3572	3623	3970	3699	3707	3597	3945	3674	3682						
H2F3624X20-360	C2030SD2	3212	3560	3289	3297	3348	3696	3424	3433	3322	3670	3399	3407						
H2F3624X20-NV	C2030SD2NV	3304	3651	3380	3389	3439	3787	3516	3524	3414	3762	3490	3499	34.375	18.125	HFK320			
H2F4224X20	-	1465	1871	1550	1593	1610	2015	1694	1737	1584	1989	1669	1711						
H2F4224X20-625	C2036BP1	5034	5439	5119	5161	5178	5583	5263	5305	5152	5558	5237	5280						
H2F4224X20-735	C2036BP	5744	6150	5829	5872	5889	6294	5973	6016	5863	6268	5948	5990						
H2F4224X20-1250	C2036BP1-TW	6141	6547	6226	6268	6285	6691	6370	6413	6260	6665	6345	6387						
H2F4224X20-430	C2036SD4	3658	4064	3743	3785	3802	4208	3887	3930	3777	4182	3862	3904						
H2F4224X20-360	C2036SD2	3375	3780	3460	3502	3519	3925	3604	3646	3494	3899	3579	3621						
H2F4224X20-NV	C2036SD2NV	3445	3850	3529	3572	3589	3994	3674	3716	3563	3969	3648	3690						
H2F4824X20	-	1528	1991	1621	1655	1681	2144	1774	1808	1655	2118	1740	1782				40.375	18.125	
H2F4824X20-625	C2042BP1	5225	5688	5319	5353	5378	5841	5471	5505	5353	5816	5437	5480						
H2F4824X20-735	C2042BP	5936	6399	6029	6063	6089	6552	6182	6216	6063	6526	6148	6190						
H2F4824X20-1250	C2042BP1-TW	6341	6804	6435	6469	6494	6957	6587	6621	6469	6932	6553	6596						
H2F4824X20-430	C2042SD4	3828	4291	3921	3955	3981	4444	4074	4108	3955	4418	4040	4082						
H2F4824X20-360	C2042SD2	3545	4008	3638	3672	3697	4160	3791	3824	3672	4135	3757	3799						
24" H x 24" D																			
H2F3624X24	-	1470	1866	1547	1555	1598	1993	1674	1682	1572	1967	1649	1657	28.375	22.25	HFK324			
H2F3624X24-750	C2030PS	6458	6854	6535	6543	6586	6981	6662	6670	6560	6955	6636	6645						
H2F4224X24	-	1540	2020	1625	1625	1676	2156	1760	1760	1650	2130	1735	1735	34.375	22.25				
H2F4224X24-750	C2036PS	6713	7193	6798	6798	6848	7328	6933	6933	6823	7303	6908	6908						
H2F4224X24-1270	C2036PS1-TW	7805	8285	7890	7890	7941	8421	8025	8025	7915	8395	8000	8000	40.375	22.25				
H2F4824X24	-	1611	2174	1704	1738	1755	2318	1849	1883	1730	2293	1823	1857						
H2F4824X24-750	C2042PS	6928	7491	7021	7055	7072	7635	7166	7200	7047	7610	7140	7174						
H2F4824X24-1270	C2042PS1-TW	8066	8629	8159	8193	8210	8773	8304	8338	8185	8748	8278	8312						

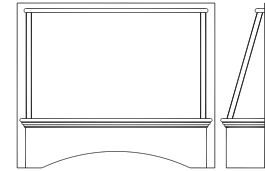
See pg W-95 for H2F specifications | See pg W-108 for Filler Kit Pricing



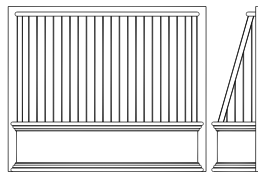
AA



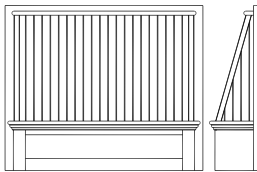
CA



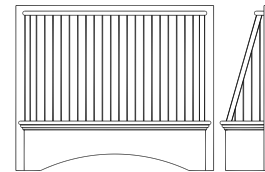
DA



AE



CE

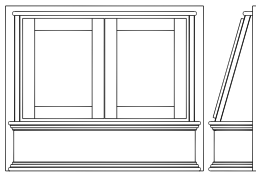


DE

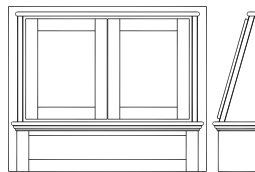
Wall Cabinets – H2F Wood Hood Pricing

H2F Wood Hood	Powered Hood Liner Included	MSRP												Power Liner Size Needed		Filler Kit Req'd	
		AA	AD	AE	AF	CA	CD	CE	CF	DA	DD	DE	DF	W	D		
30" H x 20" D																	
H2F3030X20	-	1682	2330	1784	1810	1835	2483	1937	1962	1810	2458	1911	1937	25.375	18.125	HFK212	
H2F3030X20-360	C2027SD2	3187	3835	3289	3314	3339	3987	3441	3467	3314	3962	3416	3441				
H2F3030X20-430	C2027SD4	3769	4416	3870	3896	3921	4569	4023	4048	3896	4544	3997	4023				
H2F3030X20-625	C2027BP1	5098	5746	5200	5225	5251	5899	5353	5378	5225	5873	5327	5353	28.375	18.125	HFK212	
H2F3630X20	-	1470	1857	1547	1555	1606	1993	1682	1691	1581	1967	1657	1665				
H2F3630X20-625	C2030BP1	4886	5273	4962	4971	5022	5409	5098	5107	4996	5383	5073	5081				
H2F3630X20-735	C2030BP	5588	5975	5665	5673	5724	6111	5800	5809	5699	6085	5775	5783				
H2F3630X20-430	C2030SD4	3557	3943	3633	3641	3692	4079	3769	3777	3667	4053	3743	3752				
H2F3630X20-360	C2030SD2	3282	3668	3358	3367	3417	3804	3494	3502	3392	3779	3468	3477				
H2F3630X20-NV	C2030SD2NV	3373	3760	3450	3458	3509	3896	3585	3594	3484	3870	3560	3568	34.375	18.125	HFK320	
H2F4230X20	-	1538	1989	1623	1665	1682	2134	1767	1810	1657	2108	1742	1784				
H2F4230X20-625	C2036BP1	5107	5558	5191	5234	5251	5702	5336	5378	5225	5677	5310	5353				
H2F4230X20-735	C2036BP	5817	6268	5902	5944	5961	6413	6046	6089	5936	6387	6021	6063				
H2F4230X20-1250	C2036BP1-TW	6214	6665	6299	6341	6358	6809	6443	6486	6333	6784	6418	6460				
H2F4230X20-430	C2036SD4	3731	4182	3816	3858	3875	4326	3960	4003	3850	4301	3935	3977				
H2F4230X20-360	C2036SD2	3448	3899	3533	3575	3592	4043	3677	3719	3567	4018	3651	3694	40.375	18.125	HFK320	
H2F4230X20-NV	C2036SD2NV	3518	3969	3602	3645	3662	4113	3746	3789	3636	4087	3721	3763				
H2F4830X20	-	1606	2123	1699	1733	1759	2276	1852	1886	1733	2251	1827	1861				
H2F4830X20-625	C2042BP1	5303	5821	5397	5431	5456	5973	5549	5583	5431	5948	5524	5558				
H2F4830X20-735	C2042BP	6014	6531	6107	6141	6167	6684	6260	6294	6141	6658	6234	6268				
H2F4830X20-1250	C2042BP1-TW	6419	6937	6513	6547	6572	7089	6665	6699	6547	7064	6640	6674				
H2F4830X20-430	C2042SD4	3906	4423	3999	4033	4059	4576	4152	4186	4033	4550	4126	4160	3750	4267	3843	
H2F4830X20-360	C2042SD2	3623	4140	3716	3750	3775	4293	3869	3902	3750	4267	3843	3877				
30" H x 24" D																	
H2F3630X24	-	1618	2125	1703	1703	1754	2261	1838	1838	1728	2235	1813	1813	28.375	22.25	HFK324	
H2F3630X24-750	C2030PS	6606	7113	6691	6691	6742	7249	6826	6826	6716	7223	6801	6801				
H2F4230X24	-	1693	2290	1786	1820	1837	2434	1930	1964	1811	2408	1905	1939	34.375	22.25		
H2F4230X24-750	C2036PS	6865	7462	6959	6993	7010	7607	7103	7137	6984	7581	7077	7111				
H2F4230X24-1270	C2036PS1-TW	7958	8555	8051	8085	8102	8699	8195	8229	8076	8673	8170	8204	40.375	22.25		
H2F4830X24	-	1772	2459	1874	1900	1925	2612	2027	2052	1900	2586	2001	2027				
H2F4830X24-750	C2042PS	7089	7776	7191	7216	7242	7929	7344	7369	7216	7903	7318	7344	8354	9041	8456	
H2F4830X24-1270	C2042PS1-TW	8227	8914	8329	8354	8380	9067	8482	8507	8354	9041	8456	8482				

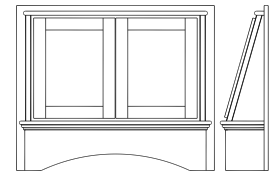
See pg W-95 for H2F specifications | See pg W-108 for Filler Kit Pricing



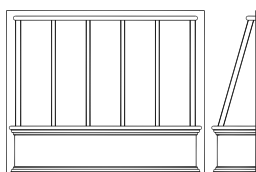
AD



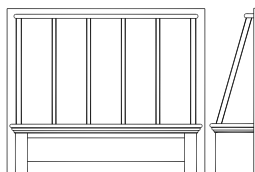
CD



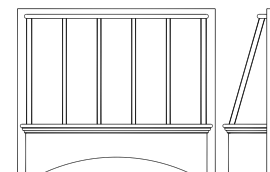
DD



AF



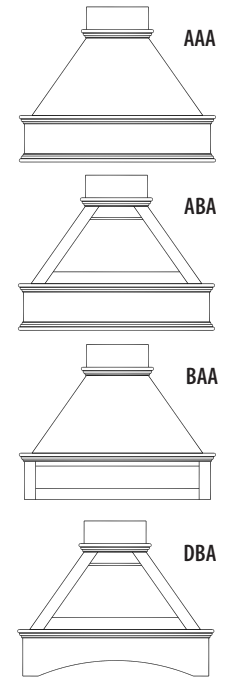
CF



DF

Wall Cabinets – H1S / H1T and H2S Wood Hood Pricing

H1S / H1T Hoods	Overall Dimensions (includes moulding)			Powered Hood Liner Included	MSRP							Power Liner Size Needed	
	Valance W	Chimney W	D		AAA	ABA	BAA	BBA	CAA	DAA	DBA	W	D
H1S (30" Short hood)													
H1S3630X24	38	12	25	-	2483	3195	2561	3273	2637	2627	3338	34.375	22.25
H1S3630X24-750				C2036PS	7656	8368	7734	8446	7810	7800	8511		
H1S3630X24-1270				C2036PS1TW	8748	9460	8826	9538	8902	8892	9603		
H1S4230X24	44	18	25	-	3014	3845	3105	3936	3194	3182	4013	40.375	22.25
H1S4230X24-750				C2042PS	8331	9162	8422	9253	8511	8499	9330		
H1S4230X24-1270				C2042PS1TW	9469	10300	9560	10391	9649	9637	10468		
H1S4830X24	50	24	25	-	3546	4494	3650	4600	3752	3738	4688	46.375	22.25
H1S4830X24-750				C2048PS	8994	9942	9097	10047	9199	9186	10135		
H1S4830X24-1270				C2048PS1TW	10178	11126	10281	11231	10383	10369	11319		
H1T (42" Tall hood)													
H1T3642X24	38	12	25	-	3287	4284	3367	4364	3443	3431	4428	34.375	22.25
H1T3642X24-750				C2036PS	8460	9457	8539	9537	8616	8604	9601		
H1T3642X24-1270				C2036PS1TW	9552	10549	9632	10629	9708	9696	10693		
H1T4242X24	44	18	25	-	4072	5234	4164	5325	4252	4238	5402	40.375	22.25
H1T4242X24-750				C2042PS	9389	10551	9481	10642	9569	9555	10719		
H1T4242X24-1270				C2042PS1TW	10527	11689	10619	11780	10707	10693	11857		
H1T4842X24	50	24	25	-	4856	6184	4959	6289	5061	5047	6375	46.375	22.25
H1T4842X24-750				C2048PS	10303	11631	10407	11736	10508	10495	11823		
H1T4842X24-1270				C2048PS1TW	11487	12815	11590	12920	11692	11679	13007		



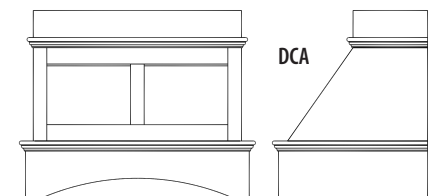
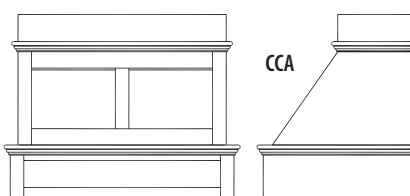
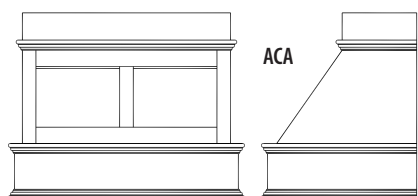
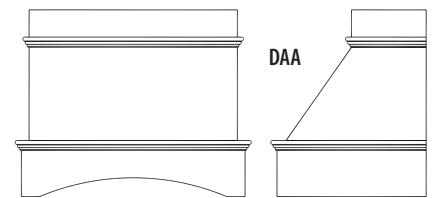
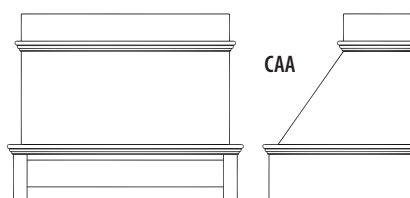
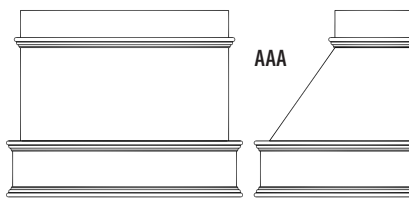
See pg W-96 for H1S / H1T specifications

H2S Wood Hoods	Overall Dimensions (includes moulding)			Powered Hood Liner Included	MSRP						Power Liner Size Needed	
	Valance W	Chimney W	D		AAA	ACA	CAA	CCA	DAA	DCA	W	D
H2S (30" Short hood)												
H2S3030X20	32	27-1/2	20-7/8	-	1964	2167	2071	2274	2064	2268	28.375	18.125
H2S3030X20-625				C2030BP1	5380	5583	5487	5690	5480	5683		
H2S3030X20-735				C2030BP	6082	6285	6189	6392	6182	6385		
H2S3030X20-430				C2030SD4	4050	4254	4157	4360	4150	4354		
H2S3030X20-360				C2030SD2	3775	3979	3882	4086	3875	4079		
H2S3030X20-NV				C2030SD2NV	3867	4070	3974	4177	3967	4170		
H2S3630X20	38	33-1/2	20-7/8	-	2356	2600	2485	2729	2476	2720	34.375	18.125
H2S3630X20-625				C2036BP1	5924	6168	6053	6297	6045	6289		
H2S3630X20-735				C2036BP	6635	6879	6764	7008	6755	6999		
H2S3630X20-1250				C2036BP1TW	7032	7276	7161	7405	7152	7396		
H2S3630X20-430				C2036SD4	4549	4793	4678	4922	4669	4913		
H2S3630X20-360				C2036SD2	4265	4510	4394	4639	4386	4630		
H2S3630X20-NV	C2036SD2NV	4335	4579	4464	4708	4455	4700					
H2S4230X20	44	39-1/2	20-7/8	-	2749	3034	2900	3185	2890	3173	40.375	18.125
H2S4230X20-625				C2042BP1	6446	6731	6597	6882	6587	6870		
H2S4230X20-735				C2042BP	7157	7442	7308	7593	7298	7581		
H2S4230X20-1250				C2042BP1TW	7562	7847	7713	7998	7703	7986		
H2S4230X20-430				C2042SD4	5049	5334	5200	5485	5190	5473		
H2S4230X20-360				C2042SD2	4766	5051	4917	5202	4907	5190		
H2S4830X20	50	45-1/2	20-7/8	-	3143	3468	3314	3640	3302	3628	46.375	18.125
H2S4830X20-735				C2048BP	7803	8129	7975	8300	7963	8288		
H2S4830X20-1250				C2048BP1TW	8176	8502	8348	8673	8336	8661		
H2S4830X20-430				C2048SD4	5656	5982	5827	6153	5816	6141		
H2S3030X24	32	27-1/2	25	-	2222	2466	2351	2595	2342	2586	28.375	22.25
H2S3030X24-750				C2030PS	7210	7454	7339	7583	7330	7574		
H2S3630X24	38	33-1/2	25	-	2666	2960	2820	3114	2810	3104	34.375	22.25
H2S3630X24-750				C2036PS	7839	8132	7993	8287	7983	8276		
H2S3630X24-1270				C2036PS1TW	8931	9225	9085	9379	9075	9369		
H2S4230X24	44	39-1/2	25	-	3110	3453	3290	3633	3278	3621	40.375	22.25
H2S4230X24-750				C2042PS	8427	8770	8607	8950	8595	8938		
H2S4230X24-1270	C2042PS1TW	9565	9908	9745	10088	9733	10076					
H2S4830X24	50	45-1/2	25	-	3555	3947	3762	4152	3746	4138	46.375	22.25
H2S4830X24-750				C2048PS	9002	9394	9209	9599	9194	9586		
H2S4830X24-1270				C2048PS1TW	10186	10578	10393	10783	10378	10770		

Wall Cabinets – H2T Wood Hood Pricing

H2T Wood Hoods	Overall Dimensions (includes moulding)			Powered Hood Liner Included	MSRP						Power Liner Size Needed	
	Valance W	Chimney W	D		AAA	ACA	CAA	CCA	DAA	DCA	W	D
H2T (42" Tall hood)												
H2T3042X20	32	27-1/2	20-7/8	-	2714	2999	2820	3105	2814	3099	28.375	18.125
H2T3042X20-625				C2030BP1	6129	6414	6236	6521	6229	6514		
H2T3042X20-735				C2030BP	6831	7116	6938	7223	6932	7216		
H2T3042X20-430				C2030SD4	4800	5085	4907	5191	4900	5185		
H2T3042X20-360				C2030SD2	4525	4810	4632	4917	4625	4910		
H2T3042X20-NV				C2030SD2NV	4617	4901	4723	5008	4717	5002		
H2T3642X20	38	33-1/2	20-7/8	-	3256	3597	3385	3726	3375	3718	34.375	18.125
H2T3642X20-625				C2036BP1	6825	7166	6954	7294	6943	7286		
H2T3642X20-735				C2036BP	7535	7876	7664	8005	7654	7997		
H2T3642X20-1250				C2036BP1TW	7932	8273	8061	8402	8051	8394		
H2T3642X20-430				C2036SD4	5449	5790	5578	5919	5568	5911		
H2T3642X20-360				C2036SD2	5166	5507	5295	5636	5285	5627		
H2T3642X20-NV	C2036SD2NV	5236	5576	5364	5705	5354	5697					
H2T4242X20	44	39-1/2	20-7/8	-	3799	4198	3948	4347	3938	4337	40.375	18.125
H2T4242X20-625				C2042BP1	7496	7895	7646	8044	7635	8034		
H2T4242X20-735				C2042BP	8207	8606	8356	8755	8346	8745		
H2T4242X20-1250				C2042BP1TW	8612	9011	8762	9160	8751	9150		
H2T4242X20-430				C2042SD4	6099	6497	6248	6647	6238	6636		
H2T4242X20-360				C2042SD2	5816	6214	5965	6363	5955	6353		
H2T4842X20	50	45-1/2	20-7/8	-	4342	4796	4513	4969	4501	4957	46.375	18.125
H2T4842X20-735				C2048BP	9002	9457	9174	9630	9162	9618		
H2T4842X20-1250				C2048BP1TW	9375	9830	9547	10003	9535	9991		
H2T4842X20-430				C2048SD4	6855	7310	7027	7483	7015	7471		
H2T3042X24	32	27-1/2	25	-	3019	3361	3148	3490	3139	3480	28.375	22.25
H2T3042X24-750				C2030PS	8007	8349	8136	8478	8127	8468		
H2T3642X24	38	33-1/2	25	-	3623	4033	3777	4187	3767	4177	34.375	22.25
H2T3642X24-750				C2036PS	8795	9206	8950	9360	8940	9350		
H2T3642X24-1270				C2036PS1TW	9888	10298	10042	10452	10032	10442		
H2T4242X24	44	39-1/2	25	-	4226	4705	4406	4886	4394	4873	40.375	22.25
H2T4242X24-750				C2042PS	9543	10022	9723	10203	9711	10190		
H2T4242X24-1270				C2042PS1TW	10681	11160	10861	11341	10849	11328		
H2T4842X24	50	45-1/2	25	-	4830	5378	5037	5583	5022	5570	46.375	22.25
H2T4842X24-750				C2048PS	10278	10826	10485	11031	10469	11017		
H2T4842X24-1270				C2048PS1TW	11462	12009	11668	12215	11653	12201		

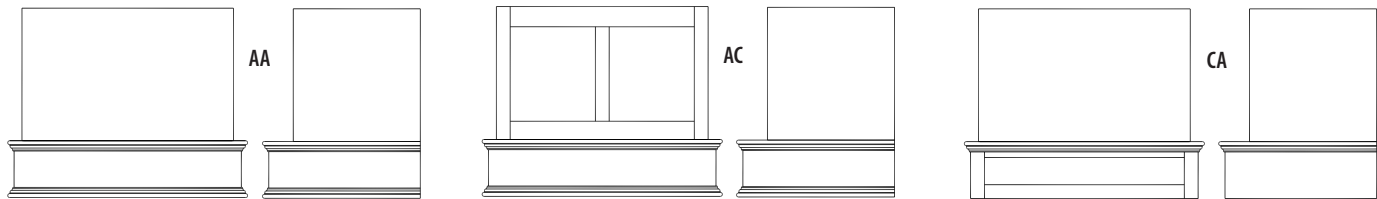
H2S pricing at left | See pg W-97 for H2S / H2T specifications



Wall Cabinets – H3S Wood Hood Pricing

H3S Wood Hoods	Overall Dimensions (includes moulding)			Powered Hood Liner Included	MSRP						Power Liner Size Needed	
	Valance W	Chimney W	D		AA	AC	CA	CC	DA	DC	W	D
H3S (30" Short hood)												
H3S3030X20	32	27-1/2	20-7/8	-	1650	1884	1757	1991	1750	1984	28.375	18.125
H3S3030X20-625				C2030BP1	5066	5300	5173	5407	5166	5400		
H3S3030X20-735				C2030BP	5768	6002	5875	6109	5868	6102		
H3S3030X20-430				C2030SD4	3736	3970	3843	4077	3836	4070		
H3S3030X20-360				C2030SD2	3462	3696	3568	3802	3562	3796		
H3S3030X20-NV				C2030SD2NV	3553	3787	3660	3894	3653	3887		
H3S3630X20	38	33-1/2	20-7/8	-	1981	2261	2110	2390	2100	2379	34.375	18.125
H3S3630X20-625				C2036BP1	5397	5677	5526	5805	5515	5795		
H3S3630X20-735				C2036BP	6260	6540	6389	6669	6379	6658		
H3S3630X20-1250				C2036BP1-TW	6657	6937	6786	7066	6776	7055		
H3S3630X20-430				C2036SD4	4174	4454	4303	4583	4293	4572		
H3S3630X20-360				C2036SD2	3891	4170	4020	4299	4009	4289		
H3S3630X20-NV	C2036SD2NV	3960	4240	4089	4369	4079	4359					
H3S4230X20	44	39-1/2	20-7/8	-	2310	2637	2461	2788	2451	2776	40.375	18.125
H3S4230X20-625				C2042BP1	6007	6335	6158	6486	6148	6474		
H3S4230X20-735				C2042BP	6718	7045	6869	7196	6859	7184		
H3S4230X20-1250				C2042BP1TW	7123	7451	7274	7601	7264	7590		
H3S4230X20-430				C2042SD4	4610	4937	4761	5088	4750	5076		
H3S4230X20-360				C2042SD2	4326	4654	4477	4805	4467	4793		
H3S4830X20	50	45-1/2	20-7/8	-	2641	3014	2812	3185	2800	3173	46.375	18.125
H3S4830X20-735				C2048BP	7301	7674	7473	7846	7461	7834		
H3S4830X20-1250				C2048BP1TW	7674	8048	7846	8219	7834	8207		
H3S4830X20-430				C2048SD4	5154	5527	5325	5699	5314	5687		
H3S3030X24	32	27-1/2	25	-	1966	2259	2095	2388	2086	2379	28.375	22.25
H3S3030X24-750				C2030PS	6954	7247	7082	7376	7074	7367		
H3S3630X24	38	33-1/2	25	-	2359	2712	2513	2866	2503	2856	34.375	22.25
H3S3630X24-750				C2036PS	7532	7885	7686	8039	7676	8029		
H3S3630X24-1270				C2036PS1TW	8624	8977	8778	9131	8768	9121		
H3S4230X24	44	39-1/2	25	-	2753	3163	2932	3343	2921	3331	40.375	22.25
H3S4230X24-750				C2042PS	8070	8480	8249	8660	8237	8648		
H3S4230X24-1270				C2042PS1TW	9208	9618	9387	9798	9375	9786		
H3S4830X24	50	45-1/2	25	-	3146	3616	3351	3821	3338	3808	46.375	22.25
H3S4830X24-750				C2048PS	8594	9063	8799	9269	8785	9255		
H3S4830X24-1270				C2048PS1TW	9777	10247	9983	10452	9969	10439		

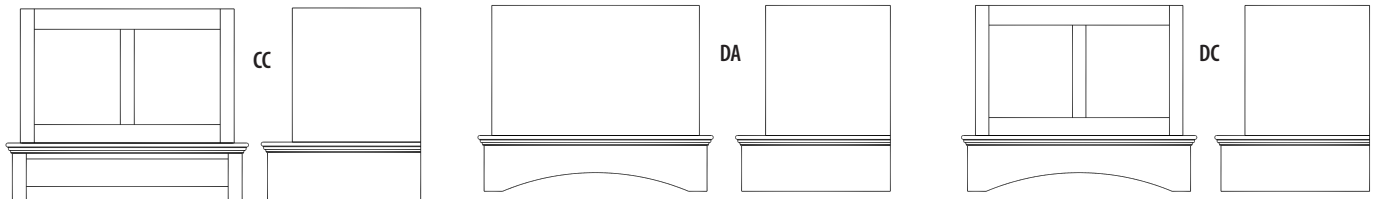
See pg W-98 for H3S / H3T specifications



Wall Cabinets – H3T Wood Hood Pricing

H3T Wood Hoods	Overall Dimensions (includes moulding)			Powered Hood Liner Included	MSRP						Power Liner Size Needed	
	Valance W	Chimney W	D		AA	AC	CA	CC	DA	DC	W	D
H3T (42" Tall hood)												
H3T3042X20	32	27-1/2	20-7/8	-	2151	2517	2257	2624	2251	2617	28.375	18.125
H3T3042X20-625				C2030BP1	5566	5933	5673	6039	5666	6033		
H3T3042X20-735				C2030BP	6268	6635	6375	6742	6368	6735		
H3T3042X20-430				C2030SD4	4237	4603	4343	4710	4337	4703		
H3T3042X20-360				C2030SD2	3962	4328	4069	4435	4062	4428		
H3T3042X20-NV				C2030SD2NV	4053	4420	4160	4527	4154	4520		
H3T3642X20	38	33-1/2	20-7/8	-	2580	3021	2709	3149	2700	3139	34.375	18.125
H3T3642X20-625				C2036BP1	5995	6436	6124	6565	6116	6555		
H3T3642X20-735				C2036BP	6859	7300	6988	7428	6979	7418		
H3T3642X20-1250				C2036BP1-TW	7255	7696	7384	7825	7376	7815		
H3T3642X20-430				C2036SD4	4773	5214	4901	5342	4893	5332		
H3T3642X20-360				C2036SD2	4489	4930	4618	5059	4610	5049		
H3T3642X20-NV	C2036SD2NV	4559	5000	4688	5129	4679	5119					
H3T4242X20	44	39-1/2	20-7/8	-	3010	3524	3161	3674	3149	3663	40.375	18.125
H3T4242X20-625				C2042BP1	6708	7222	6859	7371	6847	7361		
H3T4242X20-735				C2042BP	7418	7932	7569	8081	7557	8071		
H3T4242X20-1250				C2042BP1TW	7824	8338	7975	8487	7963	8477		
H3T4242X20-430				C2042SD4	5310	5824	5461	5973	5449	5963		
H3T4242X20-360				C2042SD2	5027	5541	5178	5690	5166	5680		
H3T4842X20	50	45-1/2	20-7/8	-	3441	4026	3612	4199	3601	4187	46.375	18.125
H3T4842X20-735				C2048BP	8102	8687	8273	8860	8261	8848		
H3T4842X20-1250				C2048BP1TW	8475	9060	8646	9233	8634	9221		
H3T4842X20-430				C2048SD4	5955	6540	6126	6713	6114	6701		
H3T3042X24	32	27-1/2	25	-	2568	3027	2695	3156	2686	3148	28.375	22.25
H3T3042X24-750				C2030PS	7741	8200	7868	8329	7859	8321		
H3T3042X24-1270				C2030PS1TW	8833	9292	8960	9421	8951	9413		
H3T3642X24	38	33-1/2	25	-	3080	3633	3234	3789	3224	3777	34.375	22.25
H3T3642X24-750				C2036PS	8253	8806	8407	8962	8397	8950		
H3T3642X24-1270	C2036PS1TW	9345	9898	9499	10054	9489	10042					
H3T4242X24	44	39-1/2	25	-	3594	4240	3774	4420	3762	4406	40.375	22.25
H3T4242X24-750				C2042PS	8911	9557	9091	9737	9079	9723		
H3T4242X24-1270				C2042PS1TW	10049	10695	10229	10875	10217	10861		
H3T4842X24	50	45-1/2	25	-	4108	4845	4313	5051	4299	5037	46.375	22.25
H3T4842X24-750				C2048PS	9555	10293	9760	10498	9747	10485		
H3T4842X24-1270				C2048PS1TW	10739	11477	10944	11682	10931	11668		

See pg W-98 for H3S / H3T specifications

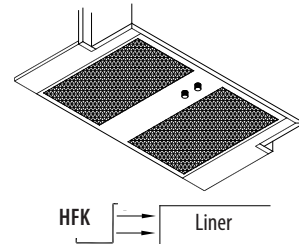
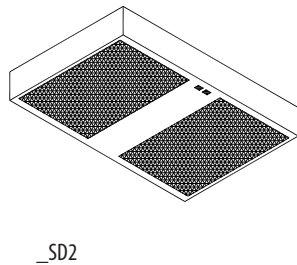
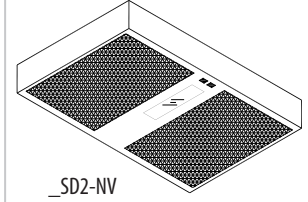
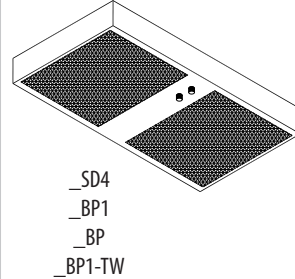
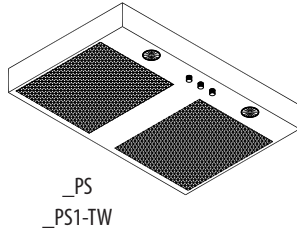


Wall Cabinets

POWERED HOOD LINERS

- Assembled & complete with motors, light fixtures (bulbs not included), back draft damper and controls
- Complete stainless steel construction
- Power ranges from 360 – 1350 CFM internal blowers depending on motors, booster and ducting
- Widths: 30" - 60"
Depths: 18-1/8" and 22-1/4"
- Recessed lighting (18-1/8" depth): requires 75 watt incandescent bulbs
- Dual lighting (22-1/4" depth): recessed incandescent and exposed halogen. Requires 75 watt incandescent bulbs and PAR20 50 watt halogen spotlights.
- Ducting: 7" Round (Single or double)
- Optional booster transition from 7" to 8" round ducting increases performance by approx. 20%
- Optional 3' Pigtail
- Optional 3/4" flange on all four sides
- Optional remote located wall switch
- **NOTE:** Due to venting requirements of twin blowers, they may not fit on some wood hoods with tapered sides

Bottom view
see next page for detailed top view and compatible liners



Hood Filler Kits (HFK_) fill the gap between powered liners and H1F/H2F wood hoods and adjacent wall cabinets

Options for Powered Liners

Item	Description	MSRP
PIGTAIL5300	3' Power Cord with Plug	54
FLANGE7500*	3/4" Flange 4 Sides	268
REMOTE	Remote Located Wall Switch	192

*90" W hood mantels with C2072BP1-TW requires two Flange7500

** No optional items available for C2027SD2

Powered Liner Accessories

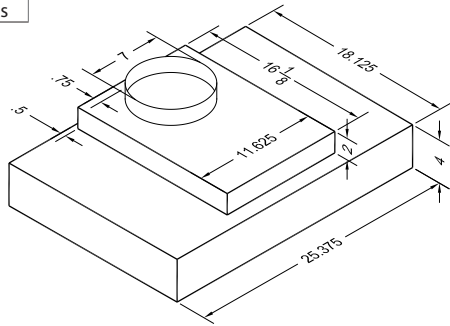
Item	Description	MSRP
B00ST8800	Transition Booster Duct Single 7" to Single 8"	421
B00ST8800TW	Transition Booster Duct Twin 7" to Twin 8"	534
CTW710-36	Transition Duct Twin 7" to Single 10" (9" C/C)	611
CTW710	Transition Duct Twin 7" to Single 10" (12" C/C)	611
CPIPE710	Transition Duct Single 7" To 3-1/4" x 10" Rectangle	229
HFK212*	Filler Kit (Includes 1-Left and 1-Right) 2-1/4" W x 11-1/8" D	141
HFK320*	Filler Kit (Includes 1-Left and 1-Right) 3-3/4" W x 18-1/8" D with 2-1/4" x 7" notch	178
HFK324*	Filler Kit (Includes 1-Left and 1-Right) 3-3/4" W x 22-1/4" D with 2-1/4" x 11-1/8" notch	178

*Required for H1F and H2F hoods
See HFK size requirements per hood (pg W-94, 95)

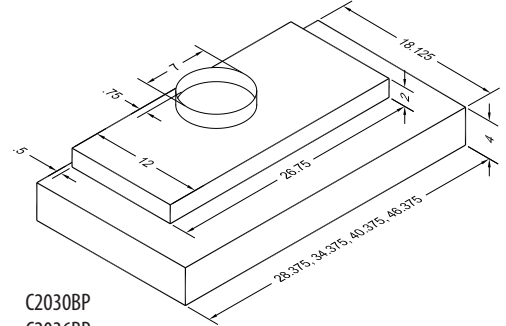
Wall Cabinets

HOW TO ORDER		
Model	Width (Nominal)	Power Liner
C20	30	BP1
See next page for individual specifications		

Top view - Includes list of compatible powered liners

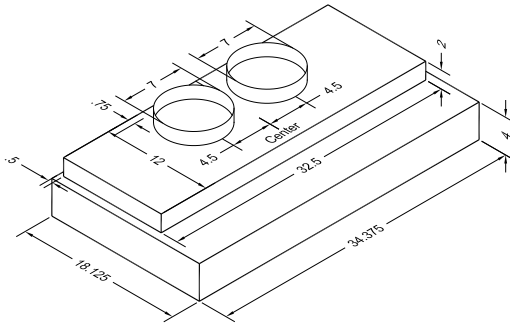


C2027SD2
C2027SD4
C2027BP1

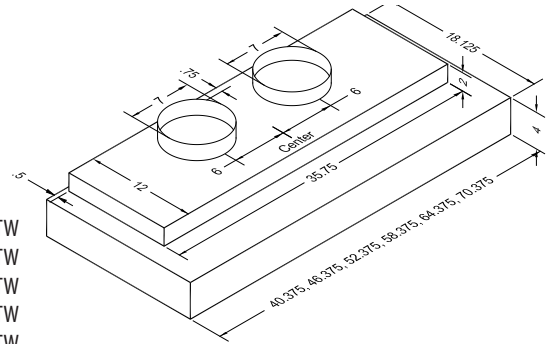


C2030SD2
C2030SD2NV
C2036SD2
C2036SD2NV
C2042SD2

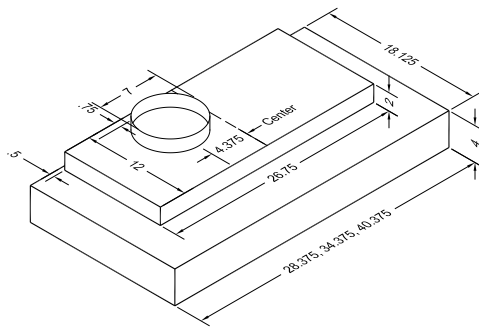
C2030SD4 C2030BP
C2036SD4 C2036BP
C2042SD4 C2042BP
C2048SD4 C2048BP



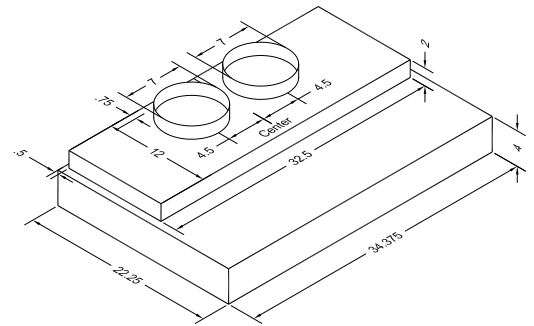
C2036BP1-TW



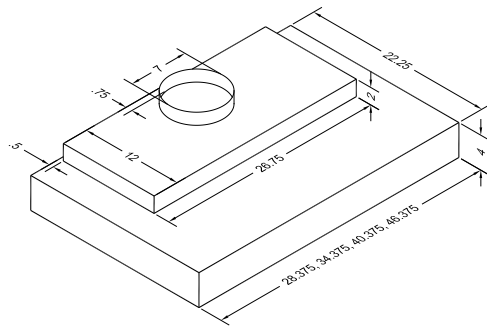
C2042BP1-TW
C2048BP1-TW
C2054BP1-TW
C2060BP1-TW
C2066BP1-TW
C2072BP1-TW*
*order 2 FLANGE7500



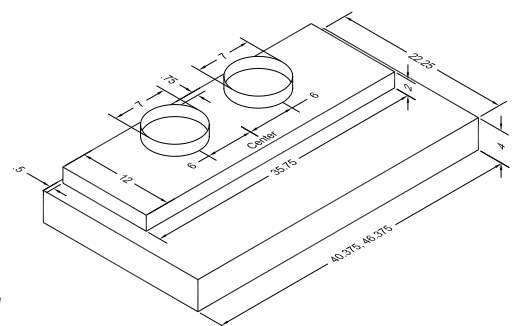
C2030BP1
C2036BP1
C2042BP1



C2036PS1-TW



C2030PS
C2036PS
C2042PS
C2048PS



C2042PS1-TW
C2048PS1-TW

Wall Cabinets – Powered Liner Detail & Pricing

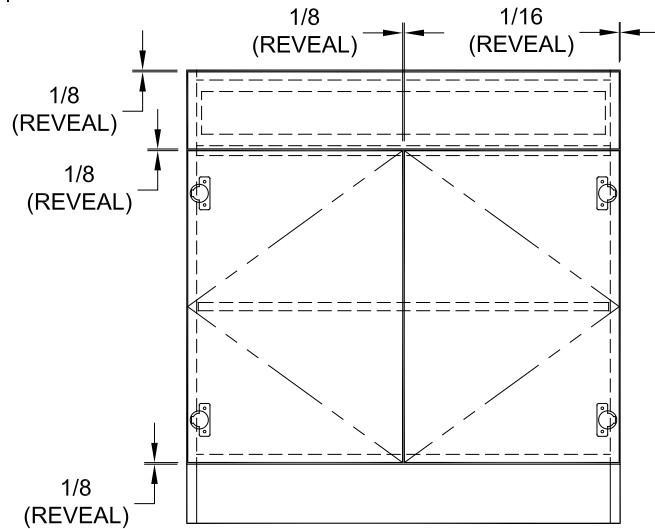
Item	Description	MSRP	CFM @ Sones	Blowers	Blower Power Control	Duct Position Kit Included	Ducting Information	Light Control	Lighting Quantity
Powered Liners for 20" to 23-1/2" D Wood Hoods									
25-3/8" X 18-1/8"									
C2027SD2*	SS Liner 360CFM	1504	360 @ 4.9	Sgl Air Ring Fan	Hi/Lo/Off	None	7" Round Centered	Hi/Lo/Off	Recessed (2)
C2027SD4	SS Liner 430CFM	2086	430 @ 7.6	Sgl Air Ring Fan	Variable	None	7" Round Centered	Variable	Recessed (2)
C2027BP1	SS Liner 610CFM	3416	610 @ 4.6	Sgl Centrifugal	Variable	2550	7" Round Centered	Variable	Recessed (2)
28-3/8" X 18-1/8"									
C2030BP1	SS Liner 610CFM	3416	610 @ 4.6	Sgl Centrifugal	Variable	2550	7" Round 4-3/8" off-center (L)	Variable	Recessed (2)
C2030BP	SS Liner 710CFM	4118	710 @ 4.6	Dual Centrifugal	Variable	2550	7" Round Centered	Variable	Recessed (2)
C2030SD4	SS Liner 430CFM	2086	430 @ 7.6	Sgl Air Ring Fan	Variable	None	7" Round Centered	Variable	Recessed (2)
C2030SD2	SS Liner 360CFM	1811	360 @ 4.9	Sgl Air Ring Fan	Hi/Lo/Off	None	7" Round Centered	Hi/Lo/Off	Recessed (2)
C2030SD2NV	SS Liner No Vent	1903	No Vent @ 4.9	Sgl Air Ring Fan	Hi/Lo/Off	None	Char. Filter, Elbow Trans Incl.	Hi/Lo/Off	Recessed (1)
34-3/8" x 18-1/8"									
C2036BP1	SS Liner 610CFM	3568	610 @ 4.6	Sgl Centrifugal	Variable	2550	7" Round 4-3/8" off-center (L)	Variable	Recessed (4)
C2036BP	SS Liner 710CFM	4279	710 @ 4.6	Dual Centrifugal	Variable	2550	7" Round Centered	Variable	Recessed (4)
C2036BP1TW	SS Liner 1250CFM	4676	1350 @4.6	Twin Centrifugal	Variable	2550-TW	Twin 7" Round – 9" C/C	Variable	Recessed (4)
C2036SD4	SS Liner 430CFM	2193	430 @ 7.6	Sgl Air Ring Fan	Variable	None	7" Round Centered	Variable	Recessed (2)
C2036SD2	SS Liner 360CFM	1910	360 @ 4.9	Sgl Air Ring Fan	Hi/Lo/Off	None	7" Round Centered	Hi/Lo/Off	Recessed (2)
C2036SD2NV	SS Liner No Vent	1979	No Vent @ 4.9	Sgl Air Ring Fan	Hi/Lo/Off	None	Char. Filter, Elbow Trans Incl.	Hi/Lo/Off	Recessed (1)
40-3/8" x 18-1/8"									
C2042BP1	SS Liner 610CFM	3697	610 @ 4.6	Sgl Centrifugal	Variable	2550	7" Round 4-3/8" off-center (L)	Variable	Recessed (4)
C2042BP	SS Liner 710CFM	4408	710 @ 4.6	Dual Centrifugal	Variable	2550	7" Round Centered	Variable	Recessed (4)
C2042BP1TW	SS Liner 1250CFM	4813	1350 @4.6	Twin Centrifugal	Variable	2550-TW	Twin 7" Round – 12" C/C	Variable	Recessed (4)
C2042SD4	SS Liner 430CFM	2300	430 @ 7.6	Sgl Air Ring Fan	Variable	None	7" Round Centered	Variable	Recessed (2)
C2042SD2	SS Liner 360CFM	2017	360 @ 4.9	Sgl Air Ring Fan	Hi/Lo/Off	None	7" Round Centered	Hi/Lo/Off	Recessed (2)
46-3/8" x 18-1/8"									
C2048BP	SS Liner 710CFM	4661	710 @ 4.6	Dual Centrifugal	Variable	2550	7" Round Centered	Variable	Recessed (4)
C2048BP1TW	SS Liner 1250CFM	5034	1350 @4.6	Twin Centrifugal	Variable	2550-TW	Twin 7" Round – 12" C/C	Variable	Recessed (4)
C2048SD4	SS Liner 430CFM	2513	430 @ 7.6	Sgl Air Ring Fan	Variable	None	7" Round Centered	Variable	Recessed (2)
52-3/8" 58/3/8" 64-3/8" 70-3/8" x 18-1/8"									
C2054BP1TW	SS Liner 1250CFM	5702	1350 @ 4.6	Twin Centrifugal	Variable	2550-TW	Twin 7" Round – 12" C/C	Variable	Recessed (4)
C2060BP1TW	SS Liner 1250CFM	6435	1350 @ 4.6	Twin Centrifugal	Variable	2550-TW	Twin 7" Round – 12" C/C	Variable	Recessed (4)
C2066BP1TW	SS Liner 1250CFM	7617	1350 @ 4.6	Twin Centrifugal	Variable	2550-TW	Twin 7" Round – 12" C/C	Variable	Recessed (4)
C2072BP1TW**	SS Liner 1250CFM	9030	1350 @ 4.6	Twin Centrifugal	Variable	2550-TW	Twin 7" Round – 12" C/C	Variable	Recessed (4)
Powered Liners for 24" D Wood Hoods									
28-3/8" x 22-1/4"									
C2030PS	SS Liner 740CFM	4988	740 @ 4.6	Dual Centrifugal	Variable	2550	7" Round Centered	Variable	Dual (2+2)
34-3/8" x 22-1/4"									
C2036PS	SS Liner 740CFM	5173	740 @ 4.6	Dual Centrifugal	Variable	2550	7" Round Centered	Variable	Dual (4+2)
C2036PS1TW	SS Liner 1250CFM	6265	1350 @4.6	Twin Centrifugal	Variable	2550-TW	Twin 7" Round – 9" C/C	Variable	Dual (4+2)
40-3/8" x 22-1/4"									
C2042PS	SS Liner 740CFM	5317	740 @ 4.6	Dual Centrifugal	Variable	2550	7" Round Centered	Variable	Dual (4+2)
C2042PS1TW	SS Liner 1270CFM	6455	1350 @4.6	Twin Centrifugal	Variable	2550-TW	Twin 7" Round – 12" C/C	Variable	Dual (4+2)
46-3/8" x 22-1/4"									
C2048PS	SS Liner 740CFM	5448	740 @ 4.6	Dual Centrifugal	Variable	2550	7" Round Centered	Variable	Dual (4+2)
C2048PS1TW	SS Liner 1270CFM	6631	1350 @4.6	Twin Centrifugal	Variable	2550-TW	Twin 7" Round – 12" C/C	Variable	Dual (4+2)
Note - Dual lighting takes two styles of bulbs. The first number refers to incandescent bulbs, and the second number refers to halogen bulbs									
*No optional items available for C2027SD2									
** C2072BP1TW requires two flanges, order separately									

Base Cabinets

Typical Base & Mid-Base Configuration

Note:

- Cabinets wider than 36" have a 3" wide center mullion that is compatible with door color
- Adjustable shelf depth is reduced 3/4" to accommodate center mullions
- When necessary, back of center mullion is drilled for shelf clips
- Height of cabinet determines quantity of adjustable shelves



Standard door sizes

Width		
Cabinet Width	Drawer Front Width	Door Width
9"	8-7/8"	8-7/8"
12"	11-7/8"	11-7/8"
15"	14-7/8"	14-7/8"
18"	17-7/8"	17-7/8"
21"	20-7/8"	20-7/8"
24"	23-7/8"	23-7/8"
24" DD	23-7/8"	(2) 11-7/8"
27"	26-7/8"	(2) 13-3/8"
30"	29-7/8"	(2) 14-7/8"
33"	32-7/8"	(2) 16-3/8"
36"	35-7/8"	(2) 17-7/8"
39"	(2) 19-3/8"	(2) 19-3/8"
42"	(2) 20-7/8"	(2) 20-7/8"
45"	(2) 23-3/8"	(2) 22-3/8"
48"	(2) 23-7/8"	(2) 23-7/8"

Base 34-1/2" H		
Cabinet Type	Door Height	Drawer Front Height
FB	29-3/4"	-
B	23-3/4"	5-7/8"
BBC	17-3/4"	(2) 5-7/8" (1) 11-7/8"
BDDC	-	5-7/8"
B1D	-	12-1/2"
B2D	-	(2) 14-13/16"
B3D	-	5-7/8" (2) 11-13/16"
B4D	-	(2) 5-7/8" (2) 8-13/16"
BLC	17-3/4"	(2) 5-7/8"
BOVD	-	5-7/8"
BOV1D	-	11-13/16"
BWD (B,M)	-	5-7/8" 8-7/8"
BWDT	-	(2) 7-3/8"

Mid Base 31-1/2" H		
Cabinet Type	Door Height	Drawer Front Height
MFB	26-3/4"	-
MB	20-3/4"	5-7/8"
MBBC	14-3/4"	(2) 5-7/8" (1) 11-7/8"
MB2D	-	(2) 13-5/16"
MB3D	-	5-7/8" (2) 10-5/16"
MB4D	-	(2) 5-7/8" (2) 7-5/16"
MBLC	14-3/4"	(2) 5-7/8"
MBOVD	-	5-7/8"
MBOV1D	-	10-5/16"
MBWD (B,M)	-	(2) 5-7/8"
MBWDT	-	(2) 5-7/8"

Door & Drawer Front configuration

Width rules for Doors & or Fronts	Width Formulas
9" - 24" W = 1 door 9" - 36" W = 1 drawer	Cabinet width - 1/8" = size
24" DD - 36" W = 2 doors	(Cabinet width - 1/4") ÷ 2 = size
36-1/4" - 48" W = 2 drs & 2 dwrs (fixed center mullion)	

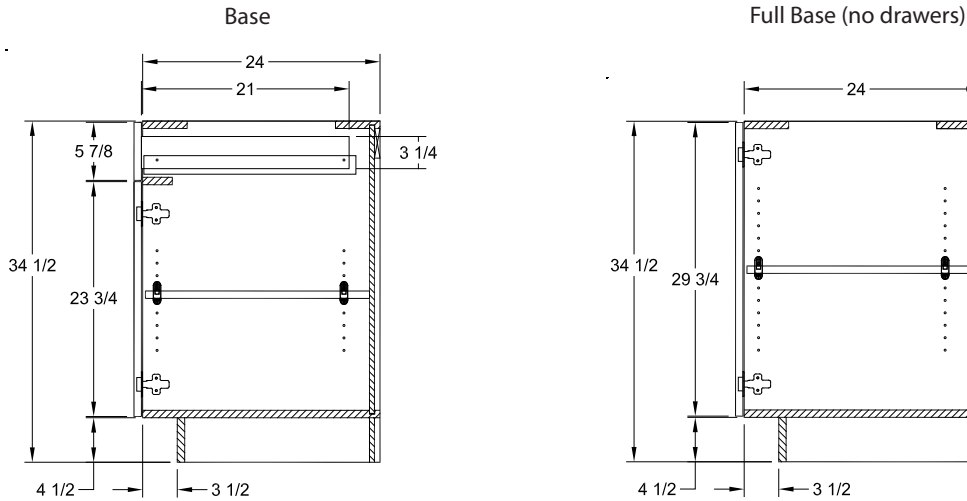
Base Cabinets

Base Cross Sections

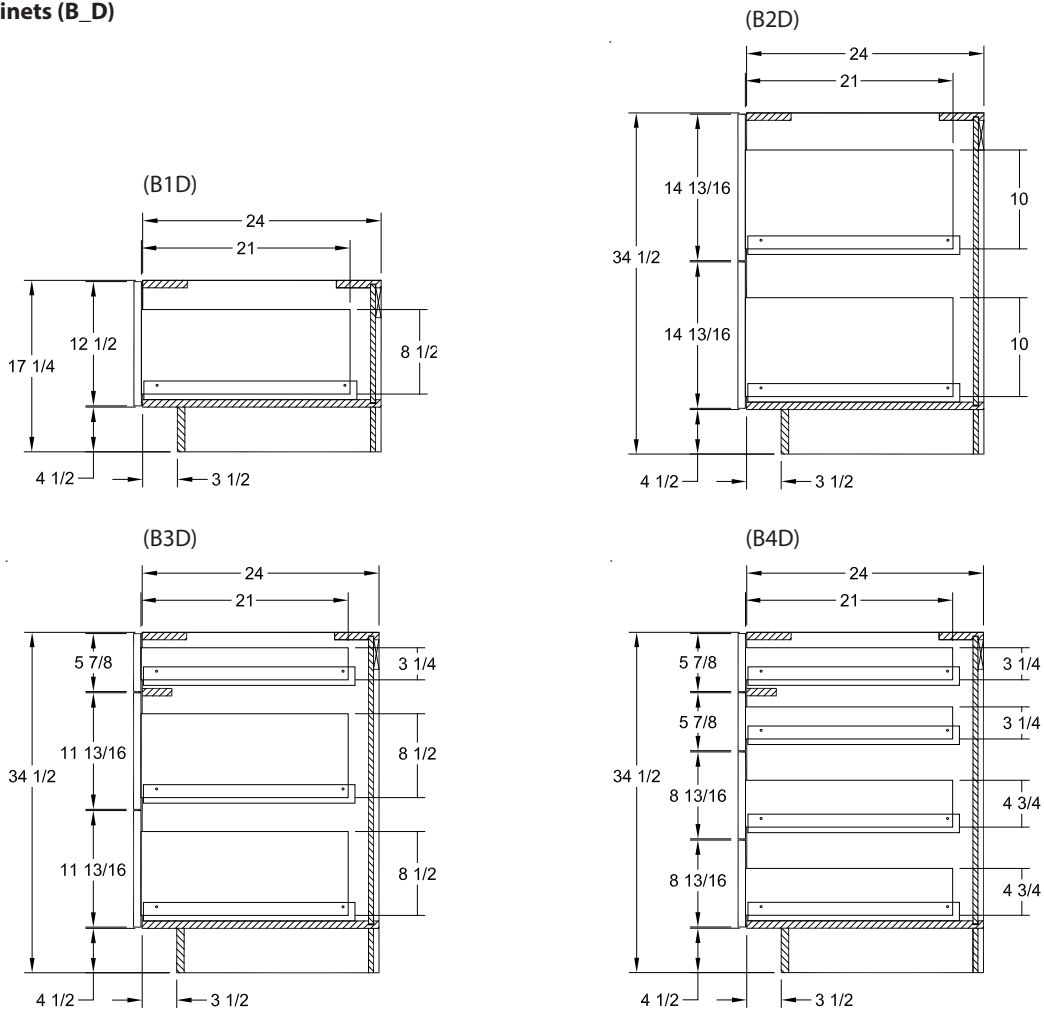
Find door & drawer front heights, widths and reveals on pg B-1

Cross sections feature drawer heights of hardwood drawers (HWDWR). Drawer heights of solid wood drawers (SWD) may vary slightly. Drawer front heights and openings are not affected.

Base (B_) and Full Base (FB_)



Base Drawer Cabinets (B_D)



Base Cabinets

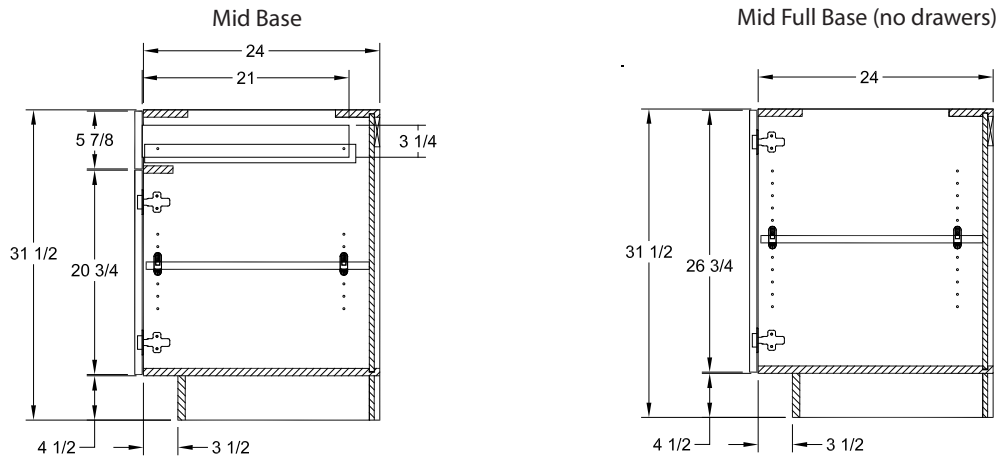
Mid Base Cross Sections

Find door & drawer front heights, widths and reveals on pg B-1

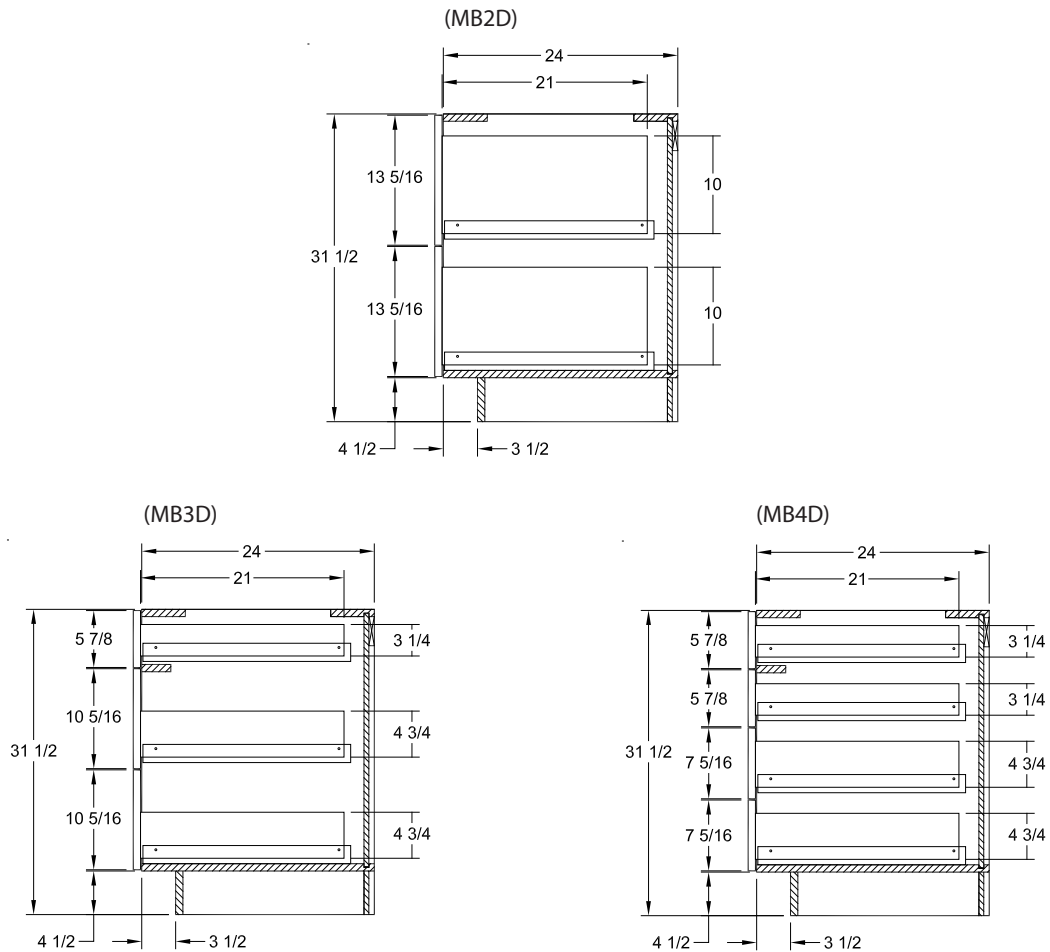
Cross sections feature drawer heights of hardwood drawers (HWDWR). Drawer heights of solid wood drawers (SWD) may vary slightly. Drawer front heights and openings are not affected.

Mid Base (MB_) and Mid Full Base (MFB_)

- To order, add an 'M' prefix to base nomenclature (Ex: MB36 or MB4D24)



Mid Base Drawer Cabinets (MB_D)

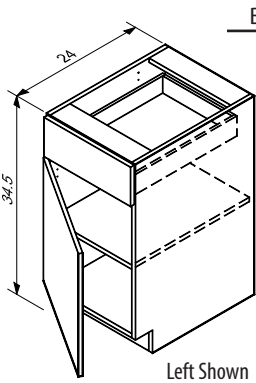


BASE

• One 3/4" thick full-depth adjustable shelf

MODIFICATION LIMITS

Width 9" – 24"
 Height 22-1/2" – 46-1/2"
 Depth 12" – 30"



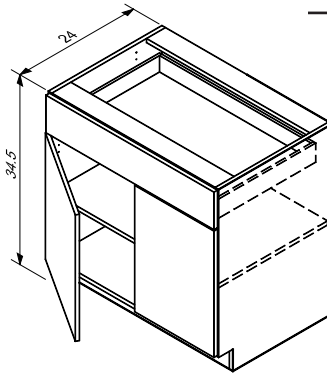
B1DR1DWR

B09*
 B12*
 B15*
 B18*
 B21*
 B24*

Left Shown

MODIFICATION LIMITS

Width 18" – 36"
 Height 22 1/2" – 46 1/2"
 Depth 12" – 30"

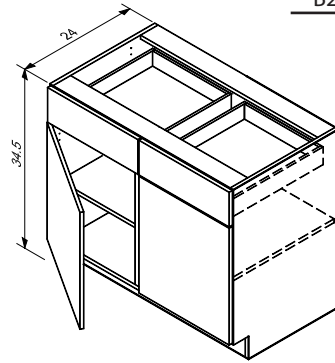


B2DR1DWR

B24DD
 B27
 B30
 B33
 B36

MODIFICATION LIMITS

Width 36-1/4" – 42"
 Height 22-1/2" – 46-1/2"
 Depth 12" – 30"



B2DR2DWR

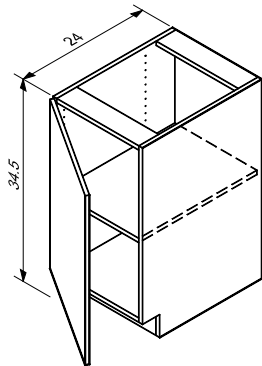
B39
 B42

FULL BASE – 24" DEEP

• One 3/4" thick full-depth adjustable shelf

MODIFICATION LIMITS

Width 6" – 24"
 Height 16-1/2" – 64-1/2"
 Depth 6" – 30"

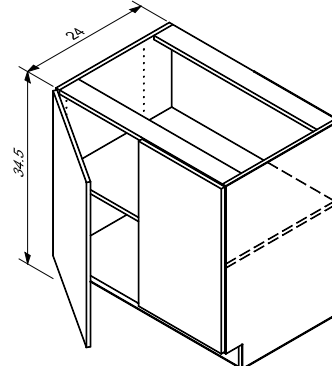


FB1DR

FB09*
 FB12*
 FB15*
 FB18*
 FB21*
 FB24*

MODIFICATION LIMITS

Width 18" – 42"
 Height 16-1/2" – 64-1/2"
 Depth 6" – 30"



FB2DR

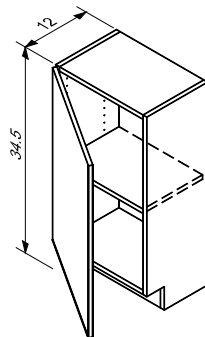
FB24DD
 FB27
 FB30
 FB33
 FB36
 FB39
 FB42

FULL BASE – 12" DEEP

• One 3/4" thick full-depth adjustable shelf

MODIFICATION LIMITS

Width 9" – 24"
 Height 16-1/2" – 64-1/2"
 Depth No Depth Mods

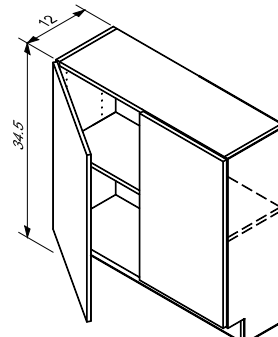


FB1DRX12

FB09x12*
 FB12x12*
 FB15x12*
 FB18x12*
 FB21x12*
 FB24x12*

MODIFICATION LIMITS

Width 18" – 42"
 Height 16-1/2" – 64-1/2"
 Depth No Depth Mods



FB2DRX12

FB24x12DD
 FB27x12
 FB30x12
 FB33x12
 FB36x12
 FB39x12
 FB42x12

Base Cabinets

* L or R required

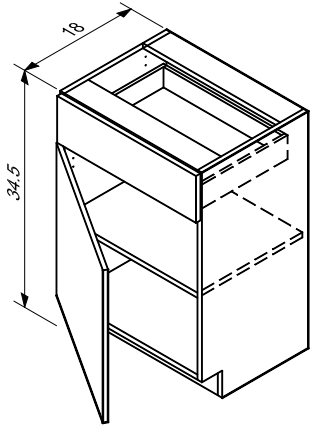
	M0	M1	M2	M3	M3A	M4	M4A	M5	M5A	M6	M6A	M7	M8	M9	M10	M11	M11A	M13	M15	M16
BASE																				
B09*	362	453	516	541	541	541	541	589	589	589	589	616	644	670	724	678	678	743	862	924
B12*	394	492	563	600	600	600	600	663	663	663	663	694	726	756	817	772	772	845	980	1043
B15*	422	527	609	658	658	658	658	736	736	736	736	770	806	840	907	879	879	963	1119	1179
B18*	453	566	655	717	717	717	717	809	809	809	809	848	887	924	999	984	984	1079	1255	1348
B21*	482	602	700	775	775	775	775	882	882	882	882	924	967	1007	1089	1091	1091	1196	1392	1523
B24*	511	639	746	833	833	833	833	953	953	953	953	999	1045	1091	1179	1196	1196	1311	1526	1698
B24DD	558	697	823	912	912	912	912	1036	1036	1036	1036	1085	1136	1186	1280	1258	1258	1381	1608	1735
B27	587	734	868	970	970	970	970	1109	1109	1109	1109	1162	1216	1269	1370	1364	1364	1496	1743	1910
B30	616	770	914	1028	1028	1028	1028	1182	1182	1182	1182	1240	1297	1353	1462	1469	1469	1613	1879	2084
B33	646	807	958	1085	1085	1085	1085	1253	1253	1253	1253	1314	1375	1435	1550	1576	1576	1730	2017	2261
B36	676	845	1004	1143	1143	1143	1143	1326	1326	1326	1326	1391	1455	1520	1642	1681	1681	1845	2152	2435
B39	778	972	1158	1296	1296	1296	1296	1494	1494	1494	1494	1567	1640	1711	1849	1881	1881	2066	2410	2680
B42	806	1007	1204	1353	1353	1353	1353	1567	1567	1567	1567	1643	1720	1796	1940	1986	1986	2181	2544	2854
FULL BASE – 24" DEEP																				
FB09*	296	370	416	444	444	444	444	504	504	504	504	527	551	573	621	583	583	638	739	789
FB12*	320	400	455	494	494	494	494	572	572	572	572	599	626	651	704	683	683	748	868	965
FB15*	345	431	495	543	543	543	543	639	639	639	639	670	700	729	789	785	785	860	999	1143
FB18*	369	461	534	590	590	590	590	707	707	707	707	741	775	807	873	889	889	974	1131	1319
FB21*	394	492	573	639	639	639	639	773	773	773	773	811	848	884	955	989	989	1084	1260	1498
FB24*	418	522	614	687	687	687	687	841	841	841	841	882	923	962	1040	1091	1091	1196	1392	1674
FB24DD	466	582	692	768	768	768	768	926	926	926	926	970	1016	1058	1143	1153	1153	1265	1474	1713
FB27	490	612	731	817	817	817	817	994	994	994	994	1041	1091	1136	1228	1255	1255	1377	1604	1889
FB30	514	643	770	865	865	865	865	1060	1060	1060	1060	1111	1162	1213	1311	1357	1357	1489	1735	2067
FB33	538	673	811	914	914	914	914	1128	1128	1128	1128	1182	1236	1291	1394	1459	1459	1601	1866	2244
FB36	563	704	850	963	963	963	963	1196	1196	1196	1196	1253	1311	1369	1479	1560	1560	1713	1996	2420
FB39	587	734	889	1011	1011	1011	1011	1262	1262	1262	1262	1323	1384	1445	1562	1660	1660	1823	2127	2598
FB42	612	765	928	1060	1060	1060	1060	1330	1330	1330	1330	1394	1459	1523	1645	1762	1762	1935	2257	2775
FULL BASE – 12" DEEP																				
FB09X12*	267	334	380	409	409	409	409	468	468	468	468	492	516	538	583	548	548	602	704	753
FB12X12*	290	363	417	456	456	456	456	534	534	534	534	561	589	614	667	646	646	711	831	928
FB15X12*	312	390	455	502	502	502	502	599	599	599	599	629	660	689	746	745	745	819	958	1102
FB18X12*	335	419	492	548	548	548	548	665	665	665	665	699	733	765	829	846	846	931	1089	1277
FB21X12*	357	446	527	594	594	594	594	728	728	728	728	765	802	838	909	943	943	1038	1214	1452
FB24X12*	380	475	566	639	639	639	639	794	794	794	794	834	875	914	990	1043	1043	1148	1345	1626
FB24X12DD	427	534	644	721	721	721	721	879	879	879	879	923	968	1011	1096	1106	1106	1218	1426	1665
FB27X12	449	561	680	767	767	767	767	943	943	943	943	990	1040	1085	1177	1204	1204	1326	1554	1838
FB30X12	472	590	717	812	812	812	812	1007	1007	1007	1007	1058	1109	1160	1257	1304	1304	1437	1682	2015
FB33X12	494	617	755	858	858	858	858	1072	1072	1072	1072	1126	1180	1235	1338	1403	1403	1545	1810	2188
FB36X12	517	646	792	906	906	906	906	1138	1138	1138	1138	1196	1253	1311	1421	1503	1503	1655	1939	2363
FB39X12	538	673	828	950	950	950	950	1201	1201	1201	1201	1262	1323	1384	1499	1599	1599	1762	2066	2537
FB42X12	562	702	865	997	997	997	997	1267	1267	1267	1267	1331	1396	1460	1582	1699	1699	1872	2195	2712

PENINSULA STARTER CABINET

- One 3/4" thick full-depth adjustable shelf
- Cabinet is 18" deep with standard recessed Toekick

MODIFICATION LIMITS

Width 9" – 36"
 Height 22 1/2" – 46 1/2"
 Depth 12" – 30"

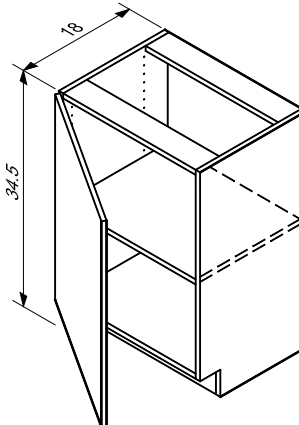


PSC1DR1DWR
 PSC24*

PSC2DR1DWR
 PSC24DD
 PSC27

MODIFICATION LIMITS

Width 9" – 36"
 Height 16 1/2" – 46 1/2"
 Depth 12" – 30"



FPSC1DR
 FPSC24*

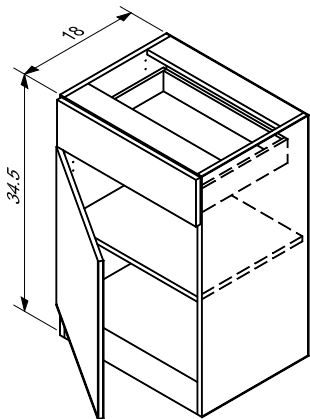
FPSC2DR
 FPSC24DD
 FPSC27

PENINSULA STARTER – FLUSH TOEKICK

- One 3/4" thick full-depth adjustable shelf
- Cabinet is 18" deep with Flush Toekick

MODIFICATION LIMITS

Width 9" – 36"
 Height 22 1/2" – 46 1/2"
 Depth 12" – 30"

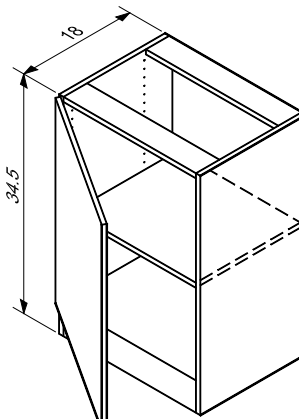


PSC1DR1DWRFTK
 PSC24FTK*

PSC2DR1DWRFTK
 PSC24FTKDD
 PSC27FTK

MODIFICATION LIMITS

Width 9" – 36"
 Height 16 1/2" – 46 1/2"
 Depth 12" – 30"



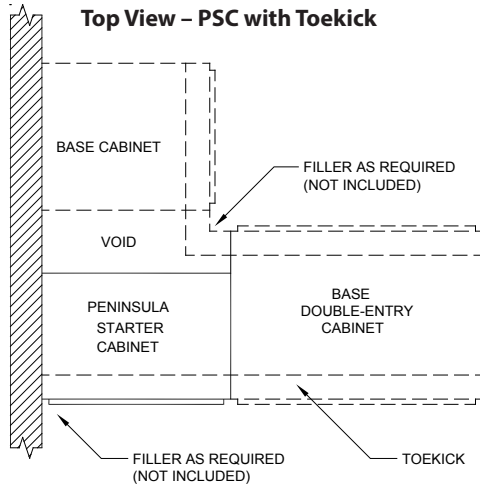
FPSC1DRFTK
 FPSC24FTK*

FPSC2DRFTK
 FPSC24FTKDD
 FPSC27FTK

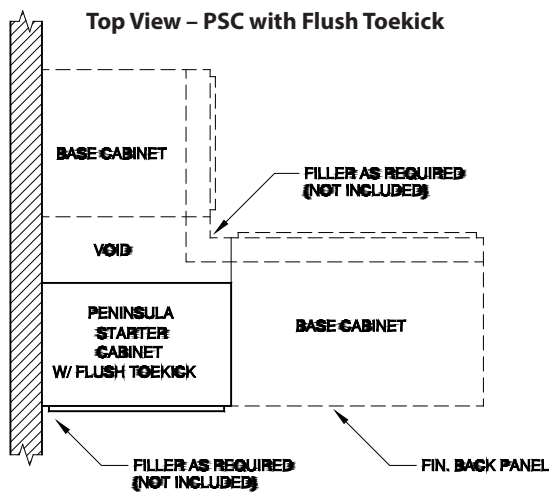
Base Cabinets

* L or R required

	M0	M1	M2	M3	M3A	M4	M4A	M5	M5A	M6	M6A	M7	M8	M9	M10	M11	M11A	M13	M15	M16
PENINSULA STARTER CABINET																				
PSC24*	511	639	746	833	833	833	833	953	953	953	953	999	1045	1091	1179	1196	1196	1311	1526	1698
PSC24DD	558	697	823	912	912	912	912	1036	1036	1036	1036	1085	1136	1186	1280	1258	1258	1381	1608	1735
PSC27	587	734	868	970	970	970	970	1109	1109	1109	1109	1162	1216	1269	1370	1364	1364	1496	1743	1910
FULL PENINSULA STARTER CABINET																				
FPSC24*	418	522	614	687	687	687	687	841	841	841	841	882	923	962	1040	1091	1091	1196	1392	1674
FPSC24DD	466	582	692	768	768	768	768	926	926	926	926	970	1016	1058	1143	1153	1153	1265	1474	1713
FPSC27	490	612	731	817	817	817	817	994	994	994	994	1041	1091	1136	1228	1255	1255	1377	1604	1889



	M0	M1	M2	M3	M3A	M4	M4A	M5	M5A	M6	M6A	M7	M8	M9	M10	M11	M11A	M13	M15	M16
PENINSULA STARTER - FLUSH TOEKICK																				
PSC24FTK*	641	801	907	994	994	994	994	1114	1114	1114	1114	1160	1206	1252	1353	1357	1357	1472	1688	1859
PSC24FTKDD	686	858	984	1074	1074	1074	1074	1197	1197	1197	1197	1247	1297	1347	1455	1420	1420	1542	1769	1896
PSC27FTK	716	895	1029	1131	1131	1131	1131	1270	1270	1270	1270	1323	1377	1430	1545	1525	1525	1657	1905	2071
FULL PENINSULA STARTER - FLUSH TOEKICK																				
FPSC24FTK*	546	683	775	848	848	848	848	1002	1002	1002	1002	1043	1084	1123	1213	1252	1252	1357	1554	1835
FPSC24FTKDD	594	743	853	929	929	929	929	1087	1087	1087	1087	1131	1177	1219	1318	1314	1314	1426	1635	1874
FPSC27FTK	618	773	892	979	979	979	979	1155	1155	1155	1155	1202	1252	1297	1403	1416	1416	1538	1766	2050



Base Cabinets

* L or R required

BASE ROLL-OUT

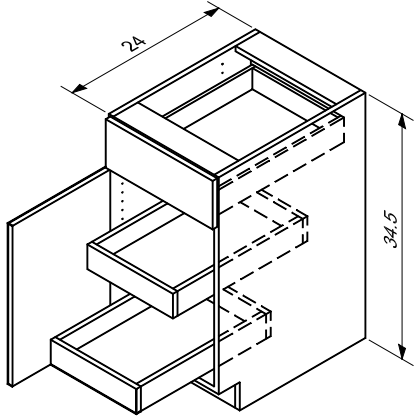
- Two 3-1/4" tall adjustable roll-outs, Natural finish, have 5/8" thick hardwood sides and dovetail construction
- Bottom roll-out is floor mounted
- When height is modified quantity of roll-outs does not change
- When cabinet depth is increased roll-out and drawer box depth does not increase
- Apply 2DF1 modification for two horizontal top drawers

MODIFICATION LIMITS

Width 15" – 24"
 Height 31-1/2" – 46-1/2"
 Depth 12" – 30"

BRO1DR1DWR

BRO15*
 BRO18*
 BRO21*
 BRO24*

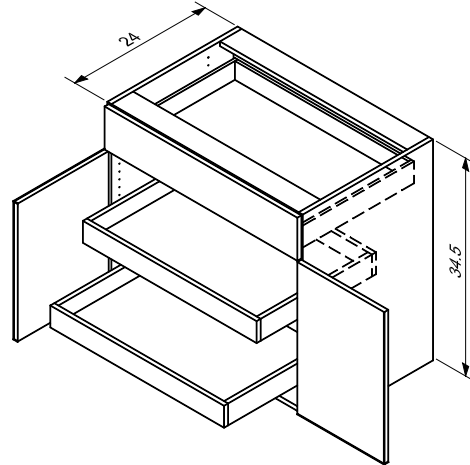


MODIFICATION LIMITS

Width 18" – 36"
 Height 31-1/2" – 46-1/2"
 Depth 12" – 30"

BRO2DR1DWR

BRO24DD
 BRO27
 BRO30
 BRO33
 BRO36



FULL BASE ROLL-OUT

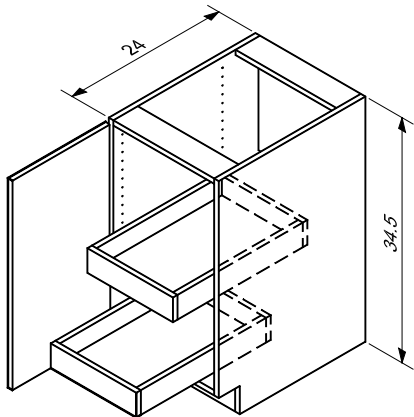
- Same as above except for drawer info

MODIFICATION LIMITS

Width 15" – 24"
 Height 25-1/2" – 46-1/2"
 Depth 12" – 30"

FBRO1DR

FBRO15*
 FBRO18*
 FBRO21*
 FBRO24*

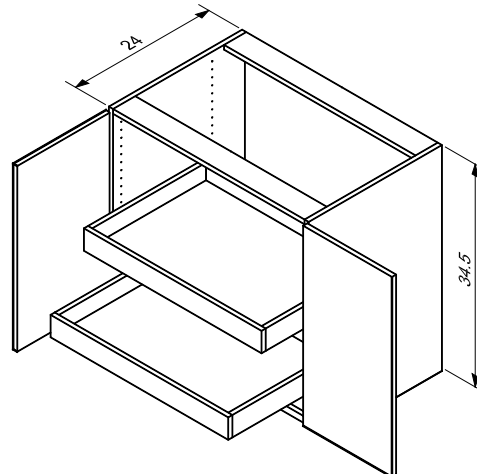


MODIFICATION LIMITS

Width 18" – 36"
 Height 25-1/2" – 46-1/2"
 Depth 12" – 30"

FBRO2DR

FBRO24DD
 FBRO27
 FBRO30
 FBRO33
 FBRO36



Base Cabinets

* L or R required

	M0	M1	M2	M3	M3A	M4	M4A	M5	M5A	M6	M6A	M7	M8	M9	M10	M11	M11A	M13	M15	M16
BASE ROLL-OUT																				
BRO15*	657	821	901	951	951	951	951	1028	1028	1028	1028	1077	1128	1175	1270	1170	1170	1284	1494	1518
BRO18*	698	873	962	1024	1024	1024	1024	1116	1116	1116	1116	1170	1225	1277	1381	1292	1292	1418	1652	1679
BRO21*	739	924	1023	1097	1097	1097	1097	1202	1202	1202	1202	1260	1319	1377	1487	1413	1413	1550	1806	1850
BRO24*	782	977	1084	1170	1170	1170	1170	1291	1291	1291	1291	1353	1416	1477	1596	1533	1533	1682	1961	2040
BRO24DD	828	1035	1160	1248	1248	1248	1248	1374	1374	1374	1374	1440	1508	1574	1701	1594	1594	1750	2040	2120
BRO27	868	1085	1219	1321	1321	1321	1321	1460	1460	1460	1460	1531	1603	1672	1806	1716	1716	1884	2198	2266
BRO30	910	1138	1280	1394	1394	1394	1394	1548	1548	1548	1548	1623	1699	1774	1916	1837	1837	2017	2352	2458
BRO33	951	1189	1342	1467	1467	1467	1467	1637	1637	1637	1637	1716	1796	1876	2027	1957	1957	2149	2507	2647
BRO36	993	1241	1401	1540	1540	1540	1540	1723	1723	1723	1723	1808	1893	1976	2135	2078	2078	2281	2661	2837

	M0	M1	M2	M3	M3A	M4	M4A	M5	M5A	M6	M6A	M7	M8	M9	M10	M11	M11A	M13	M15	M16
FULL BASE ROLL-OUT																				
FBRO15*	558	697	765	809	809	809	809	873	873	873	873	916	958	999	1080	996	996	1091	1270	1291
FBRO18*	594	743	817	870	870	870	870	948	948	948	948	996	1041	1085	1174	1099	1099	1206	1404	1428
FBRO21*	628	785	870	933	933	933	933	1023	1023	1023	1023	1072	1121	1170	1264	1201	1201	1318	1535	1572
FBRO24*	665	831	921	996	996	996	996	1097	1097	1097	1097	1150	1204	1255	1357	1303	1303	1430	1667	1735
FBRO24DD	704	880	985	1062	1062	1062	1062	1169	1169	1169	1169	1225	1282	1338	1447	1355	1355	1487	1735	1803
FBRO27	738	923	1036	1123	1123	1123	1123	1241	1241	1241	1241	1303	1362	1421	1535	1459	1459	1601	1869	1927
FBRO30	774	967	1089	1186	1186	1186	1186	1316	1316	1316	1316	1379	1445	1508	1630	1562	1562	1715	2000	2089
FBRO33	809	1011	1140	1247	1247	1247	1247	1391	1391	1391	1391	1459	1526	1594	1723	1664	1664	1827	2130	2251
FBRO36	844	1055	1191	1309	1309	1309	1309	1465	1465	1465	1465	1537	1610	1679	1815	1766	1766	1939	2262	2412

BASE SINK

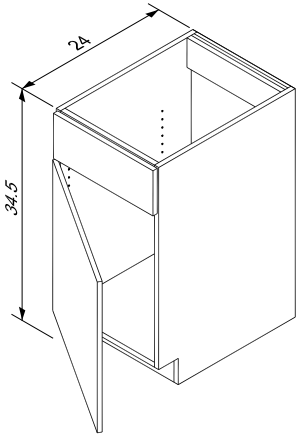
- Constructed with full 1/2" back
- Apply 2FF modification for two horizontal fronts

MODIFICATION LIMITS

Width 9" – 24"
 Height 22-1/2" – 46-1/2"
 Depth 9" – 30"

BS1DR1FF

BS18*
 BS21*
 BS24*

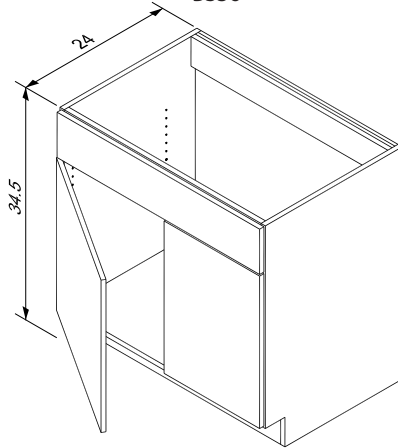


MODIFICATION LIMITS

Width 18" – 36"
 Height 22 1/2" – 46 1/2"
 Depth 9" – 30"

BS2DR1FF

BS24DD
 BS27
 BS30
 BS33
 BS36

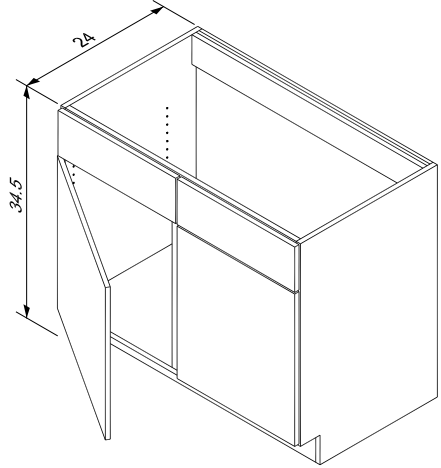


MODIFICATION LIMITS

Width 36 1/4" – 48"
 Height 22 1/2" – 46 1/2"
 Depth 9" – 30"

BS2DR2FF

BS39
 BS42
 BS45
 BS48



BASE SINK with TIP-OUT

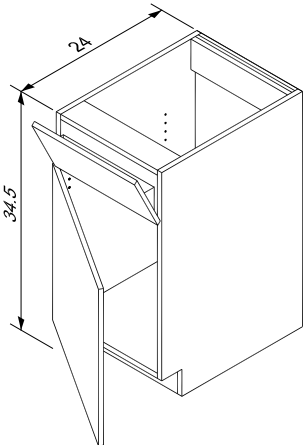
- Constructed with full 1/2" back
- Apply 2T0 modification for two horizontal fronts

MODIFICATION LIMITS

Width No Width mods
 Height 22-1/2" – 46-1/2"
 Depth 9" – 30"

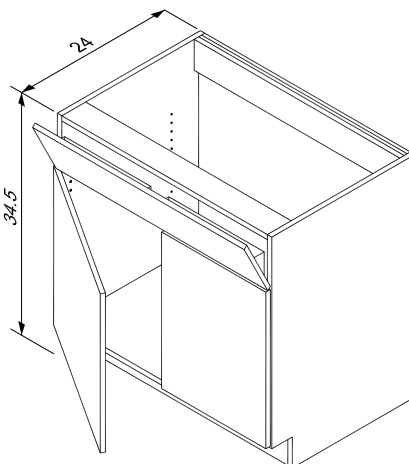
BST1DR1FF

BST18*
 BST21*
 BST24*



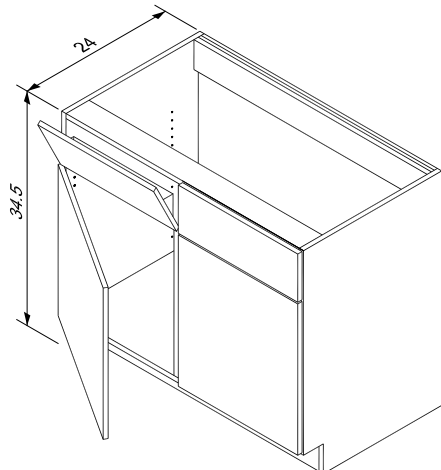
BST2DR1FF

BST24DD
 BST27
 BST30
 BST33
 BST36



BST2DR2FF

BST39
 BST42
 BST45
 BST48



Base Cabinets

* L or R required

	M0	M1	M2	M3	M3A	M4	M4A	M5	M5A	M6	M6A	M7	M8	M9	M10	M11	M11A	M13	M15	M16
BASE SINK																				
BS18*	388	485	575	650	650	650	650	802	802	802	802	840	879	916	990	1053	1053	957	1113	1562
BS21*	411	514	631	702	702	702	702	848	848	848	848	889	929	968	1046	1079	1079	1062	1235	1635
BS24*	435	544	653	731	731	731	731	887	887	887	887	929	972	1014	1096	1116	1116	1170	1362	1674
BS24DD	454	568	692	782	782	782	782	928	928	928	928	972	1018	1060	1145	1201	1201	1318	1535	1771
BS27	475	594	728	829	829	829	829	950	950	950	950	996	1041	1085	1174	1223	1223	1342	1562	1845
BS30	495	619	763	877	877	877	877	1013	1013	1013	1013	1062	1111	1158	1252	1319	1319	1448	1688	2017
BS33	517	646	797	924	924	924	924	1074	1074	1074	1074	1124	1177	1228	1326	1414	1414	1552	1808	2188
BS36	538	673	833	972	972	972	972	1136	1136	1136	1136	1211	1267	1301	1406	1509	1509	1657	1932	2359
BS39	578	722	911	1048	1048	1048	1048	1247	1247	1247	1247	1308	1367	1428	1543	1633	1633	1793	2089	2532
BS42	600	750	946	1096	1096	1096	1096	1309	1309	1309	1309	1372	1437	1499	1620	1728	1728	1898	2213	2703
BS45	620	775	980	1143	1143	1143	1143	1370	1370	1370	1370	1437	1504	1569	1694	1823	1823	2001	2334	2758
BS48	642	802	1016	1191	1191	1191	1191	1433	1433	1433	1433	1503	1572	1642	1774	1920	1920	2108	2459	2921

	M0	M1	M2	M3	M3A	M4	M4A	M5	M5A	M6	M6A	M7	M8	M9	M10	M11	M11A	M13	M15	M16
BASE SINK with TIP-OUT front																				
BST18*	442	553	643	717	717	717	717	870	870	870	870	907	946	984	1063	1121	1121	1024	1180	1630
BST21*	466	582	699	770	770	770	770	916	916	916	916	957	997	1036	1119	1146	1146	1130	1303	1703
BST24*	490	612	721	799	799	799	799	955	955	955	955	997	1040	1082	1170	1184	1184	1238	1430	1742
BST24DD	509	636	760	850	850	850	850	996	996	996	996	1040	1085	1128	1219	1269	1269	1386	1603	1838
BST27	583	729	863	965	965	965	965	1085	1085	1085	1085	1131	1177	1221	1319	1358	1358	1477	1698	1981
BST30	604	755	899	1013	1013	1013	1013	1148	1148	1148	1148	1197	1247	1294	1399	1455	1455	1584	1823	2152
BST33	626	782	933	1060	1060	1060	1060	1209	1209	1209	1209	1260	1313	1364	1474	1550	1550	1688	1944	2324
BST36	647	809	968	1107	1107	1107	1107	1272	1272	1272	1272	1347	1403	1437	1552	1645	1645	1793	2067	2495
BST39	686	858	1046	1184	1184	1184	1184	1382	1382	1382	1382	1443	1503	1564	1689	1769	1769	1928	2225	2668
BST42	708	885	1082	1231	1231	1231	1231	1445	1445	1445	1445	1508	1572	1635	1767	1864	1864	2034	2349	2839
BST45	729	911	1116	1279	1279	1279	1279	1506	1506	1506	1506	1572	1640	1704	1842	1959	1959	2137	2469	2893
BST48	750	938	1152	1326	1326	1326	1326	1569	1569	1569	1569	1638	1708	1777	1920	2056	2056	2244	2595	3056

Base Cabinets

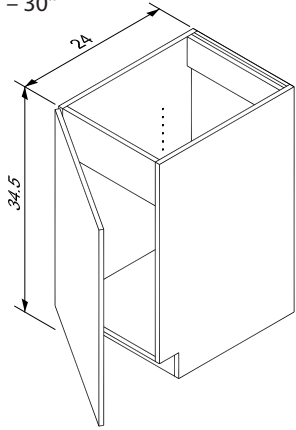
* L or R required

FULL BASE SINK

• Constructed with full 1/2" back

MODIFICATION LIMITS

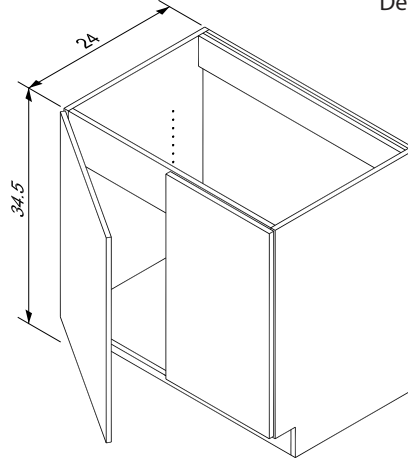
Width 9" – 24"
 Height 28-1/2" – 46-1/2"
 Depth 9" – 30"



FBS1DR
 FBS18*
 FBS21*
 FBS24*

MODIFICATION LIMITS

Width 18" – 42"
 Height 28-1/2" – 46-1/2"
 Depth 9" – 30"



FBS2DR
 FBS24DD
 FBS27
 FBS30
 FBS33
 FBS36
 FBS39
 FBS42

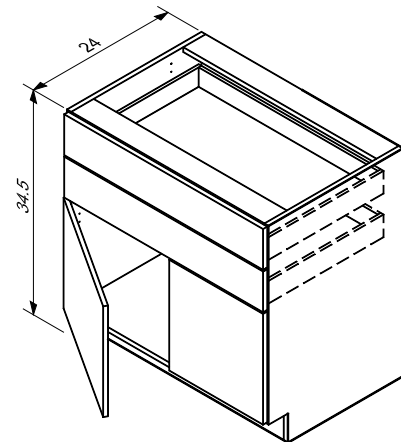
	M0	M1	M2	M3	M3A	M4	M4A	M5	M5A	M6	M6A	M7	M8	M9	M10	M11	M11A	M13	M15	M16
FBS18*	364	455	544	605	605	605	605	697	697	697	697	729	763	795	860	873	873	1155	1345	1236
FBS21*	386	482	578	653	653	653	653	760	760	760	760	795	833	867	936	968	968	1184	1377	1401
FBS24*	408	510	616	704	704	704	704	824	824	824	824	863	904	941	1018	1067	1067	1225	1425	1567
FBS24DD	440	550	673	756	756	756	756	907	907	907	907	951	994	1038	1121	1128	1128	1236	1440	1604
FBS27	458	572	689	773	773	773	773	968	968	968	968	1014	1062	1107	1197	1211	1211	1328	1547	1767
FBS30	476	595	722	817	817	817	817	1031	1031	1031	1031	1080	1131	1179	1274	1308	1308	1435	1672	1932
FBS33	497	621	756	860	860	860	860	1094	1094	1094	1094	1146	1199	1252	1353	1404	1404	1542	1796	2096
FBS36	517	646	790	904	904	904	904	1155	1155	1155	1155	1211	1267	1321	1428	1501	1501	1647	1920	2261
FBS39	538	672	826	948	948	948	948	1199	1199	1199	1199	1257	1316	1372	1482	1598	1598	1754	2045	2429
FBS42	556	695	860	990	990	990	990	1260	1260	1260	1260	1321	1382	1443	1560	1693	1693	1859	2167	2593

BASE LINEN CABINET

• No adjustable shelves
 • Apply 2DF1 modification for two horizontal top drawers

MODIFICATION LIMITS

Width 18" – 36"
 Height 28-1/2" – 46-1/2"
 Depth 12" – 30"



BLC	M0	M1	M2	M3	M3A	M4	M4A	M5	M5A	M6	M6A	M7	M8	M9	M10	M11	M11A	M13	M15	M16
BLC24DD	829	1036	1162	1252	1252	1252	1252	1375	1375	1375	1375	1425	1476	1525	1647	1598	1598	1720	1947	2074
BLC27	859	1074	1208	1309	1309	1309	1309	1448	1448	1448	1448	1501	1555	1608	1737	1703	1703	1835	2083	2249
BLC30	887	1109	1253	1367	1367	1367	1367	1521	1521	1521	1521	1579	1637	1693	1828	1808	1808	1952	2218	2424
BLC33	917	1146	1297	1425	1425	1425	1425	1593	1593	1593	1593	1654	1715	1774	1916	1915	1915	2069	2356	2600
BLC36	947	1184	1343	1482	1482	1482	1482	1665	1665	1665	1665	1730	1794	1859	2008	2020	2020	2184	2491	2775

Base Cabinets

FARMHOUSE BASE SINK

MODIFICATION LIMITS

Width 24DD – 48"
 Height 31-1/2" – 46-1/2"
 Depth 12" – 30"

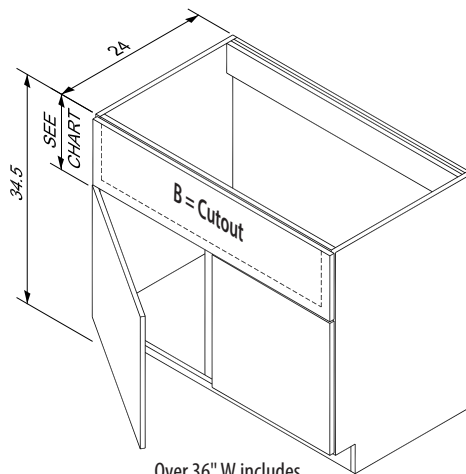
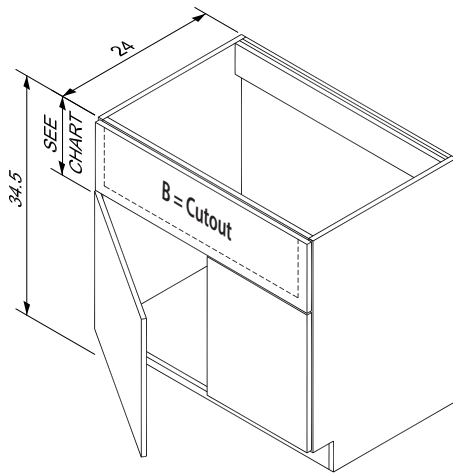
HOW TO ORDER (W/ OPTION)

Configuration	W	+ Panel Option
FHBS	36	ERTOP-IN 1.25"

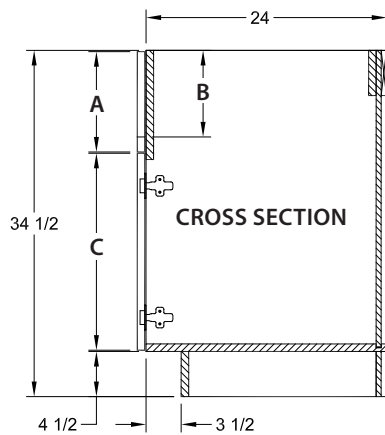
*Specify option size as shown in size chart

- Removable, 10" H, top trim panel allows a cutout for farmhouse sinks
- No adjustable shelves
- Cutout and construction of interior support framing is required during installation (not done at factory)

- Top panel can be modified w/ ERTOP-IN (\$0)
- Extend Top Panel (ERTOP-IN) allows:
 - Increase of panel (A) and maximum cutout (B) heights in 1/4" increments
 - Door height (C) will decrease in 1/4" increments
- Use chart for available configurations



Over 36" W includes 3" center mullion



Design Note: Entire panel (A) can be removed if full width opening between cabinet ends is required

To replace panel: Order as a standard slab drawer front

TOP PANEL, DOOR & CUTOUT SIZE RESULTS			
Option ETOP-IN*	'A' Top Panel H	'B' Max Cutout H	'C' Door H
N/A	10	8-1/2	19-5/8
.25	10-1/4	8-3/4	19-3/8
.50	10-1/2	9	19-1/8
.75	10-3/4	9-1/4	18-7/8
1	11	9-1/2	18-5/8
1.25	11-1/4	9-3/4	18-3/8
1.50	11-1/2	10	18-1/8
1.75	11-3/4	10-1/4	17-7/8
2	12	10-1/2	17-5/8
2.25	12-1/4	10-3/4	17-3/8
2.50	12-1/2	11	17-1/8

*Option sizes available in 1/4" increments only

FHBS	M0	M1	M2	M3	M3A	M4	M4A	M5	M5A	M6	M6A	M7	M8	M9	M10	M11	M11A	M13	M15	M16
FHBS24DD	455	568	692	782	782	782	782	928	928	928	928	972	1018	1060	1145	1201	1201	1318	1535	1771
FHBS27	475	594	728	829	829	829	829	950	950	950	950	996	1041	1085	1174	1223	1223	1342	1562	1845
FHBS30	495	619	763	877	877	877	877	1013	1013	1013	1013	1062	1111	1158	1252	1319	1319	1448	1688	2017
FHBS33	517	646	797	924	924	924	924	1074	1074	1074	1074	1124	1177	1228	1326	1414	1414	1552	1808	2188
FHBS36	539	673	833	972	972	972	972	1136	1136	1136	1136	1211	1267	1301	1406	1509	1509	1657	1932	2359
FHBS39	578	722	911	1048	1048	1048	1048	1247	1247	1247	1247	1308	1367	1428	1543	1633	1633	1793	2089	2532
FHBS42	600	750	946	1096	1096	1096	1096	1309	1309	1309	1309	1372	1437	1499	1620	1728	1728	1898	2213	2703
FHBS45	621	775	980	1143	1143	1143	1143	1370	1370	1370	1370	1437	1504	1569	1694	1823	1823	2001	2334	2758
FHBS48	641	802	1016	1191	1191	1191	1191	1433	1433	1433	1433	1503	1572	1642	1774	1920	1920	2108	2459	2921

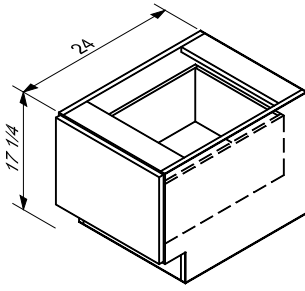
Base Cabinets

BASE 1-DRAWER

MODIFICATION LIMITS

Width 9" – 36"
 Height 11" – 19-1/2"
 Depth 12" – 30"

- Apply 2DF1 mod. for two horizontal top drawers (min. 24" W cabinet)



B1D
 B1D12
 B1D15
 B1D18
 B1D21
 B1D24
 B1D27
 B1D30
 B1D33
 B1D36

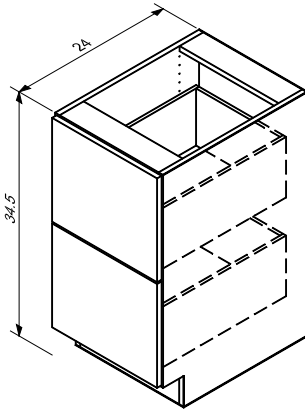
BASE 2-DRAWER

MODIFICATION LIMITS

Width 9" – 36"
 Height 17" – 34-1/2"
 Depth 12" – 30"

- Drawer clearance is approximately 12-3/16" for top drawer and 12-15/16" for bottom drawer

- If using as file drawers, recommend upgrading to HWDWR drawer box construction
- 2DF1 modification available (see above)



B2D
 B2D12
 B2D15
 B2D18
 B2D21
 B2D24
 B2D27
 B2D30
 B2D33
 B2D36

BASE 3-DRAWER – DISPLAY FRONT

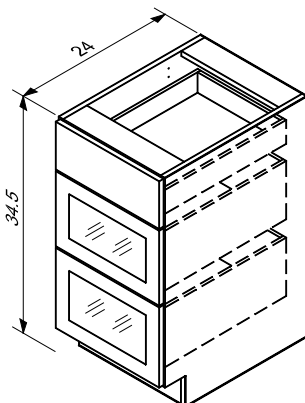
MODIFICATION LIMITS

Width No width mods
 Height No height mods
 Depth No depth mods

- Bottom two drawers are hardwood dovetail construction with clear plexi-glass fronts
- Divider is located 2" from front of drawer leaving approx. 18" of usable space
- 3" stiles and rails on two bottom drawer fronts

- Apply IBB mod. for Installed Breadboard in top drawer
- Apply ICB mod. for flip-down front with chopping block in lieu of top drawer 18" or 21" W cabinets)

Not available: Exotic Wood Veneer, Flush Wood Veneer, Foil, Laminate, Mitered (2-1/4"), Thermo Structured Surface and Wood slab door styles or as a Mid-height cabinet



B3D__DIS
 B3D15DIS
 B3D18DIS
 B3D21DIS

Base Cabinets

	M0	M1	M2	M3	M3A	M4	M4A	M5	M5A	M6	M6A	M7	M8	M9	M10	M11	M11A	M13	M15	M16	
BASE 1-DRAWER																					
B1D12	350	438	505	555	555	555	555	555	555	555	555	555	682	555	599	653	653	682	682	807	
B1D15	377	471	548	616	616	616	616	616	616	616	616	616	743	616	665	741	741	743	743	948	
B1D18	406	507	589	678	678	678	678	678	678	678	678	678	806	678	733	828	828	806	806	1087	
B1D21	433	541	629	739	739	739	739	739	739	739	739	739	867	739	799	914	914	867	867	1226	
B1D24	460	575	670	801	801	801	801	801	801	801	801	801	928	801	865	1001	1001	928	928	1367	
B1D27	487	609	711	862	862	862	862	862	862	862	862	862	989	862	931	1087	1087	989	989	1504	
B1D30	515	644	751	923	923	923	923	923	923	923	923	923	1050	923	996	1174	1174	1050	1050	1645	
B1D33	542	678	792	985	985	985	985	985	985	985	985	985	1113	985	1063	1262	1262	1113	1113	1784	
B1D36	570	712	833	1046	1046	1046	1046	1046	1046	1046	1046	1046	1174	1046	1130	1348	1348	1174	1174	1923	

	M0	M1	M2	M3	M3A	M4	M4A	M5	M5A	M6	M6A	M7	M8	M9	M10	M11	M11A	M13	M15	M16	
BASE 2-DRAWER																					
B2D12	466	583	673	739	739	739	739	739	739	739	739	739	909	739	799	870	870	909	909	1077	
B2D15	503	629	729	821	821	821	821	821	821	821	821	821	990	821	887	987	987	990	990	1264	
B2D18	540	675	784	904	904	904	904	904	904	904	904	904	1074	904	977	1102	1102	1074	1074	1450	
B2D21	577	721	838	985	985	985	985	985	985	985	985	985	1155	985	1065	1218	1218	1155	1155	1635	
B2D24	614	767	892	1067	1067	1067	1067	1067	1067	1067	1067	1067	1236	1067	1153	1335	1335	1236	1236	1822	
B2D27	650	812	948	1148	1148	1148	1148	1148	1148	1148	1148	1148	1318	1148	1241	1450	1450	1318	1318	2006	
B2D30	686	858	1002	1230	1230	1230	1230	1230	1230	1230	1230	1230	1399	1230	1328	1565	1565	1399	1399	2193	
B2D33	723	904	1057	1313	1313	1313	1313	1313	1313	1313	1313	1313	1482	1313	1418	1682	1682	1482	1482	2378	
B2D36	760	950	1111	1394	1394	1394	1394	1394	1394	1394	1394	1394	1564	1394	1506	1798	1798	1564	1564	2564	

	M0	M1	M2	M3	M3A	M4	M4A	M5	M5A	M6	M6A	M7	M8	M9	M10	M11	M11A	M13	M15	M16	
BASE 3-DRAWER - DISPLAY FRONTS																					
B3D15DIS	N/A	N/A	N/A	1423	1423	N/A	N/A	N/A	N/A	1423	1423	1423	1677	1423	1423	1589	1589	1677	1677	1866	
B3D18DIS	N/A	N/A	N/A	1506	1506	N/A	N/A	N/A	N/A	1506	1506	1506	1760	1506	1506	1704	1704	1760	1760	2052	
B3D21DIS	N/A	N/A	N/A	1587	1587	N/A	N/A	N/A	N/A	1587	1587	1587	1842	1587	1587	1820	1820	1842	1842	2237	

Base Cabinets

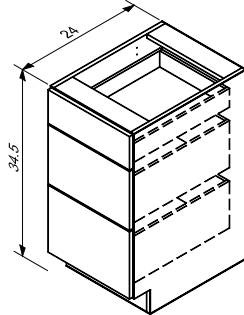
BASE 3-DRAWER

MODIFICATION LIMITS

Width 9" – 42"
 Height 23" – 40-1/2"
 Depth 12" – 30"
 (No depth mods on 39" & 42" W cabinets)

- Apply **2DF1** mod. for two horizontal top drawers (min. 24" W cabinet)
- Apply **ICB** mod. for flip-down front w/ chopping block in lieu of top drawer (18" or 21" W cabinets)

- 39" & 42" W cabinets:
 - Comes standard with 110 lb rated heavy duty UMFEQ-IM guides only
 - Cape Cod Solid style drawer fronts will have center mullions



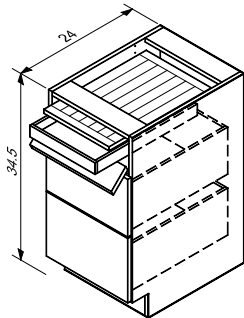
B3D	B3D
B3D12	B3D30
B3D15	B3D33
B3D18	B3D36
B3D21	*B3D39
B3D24	*B3D42
B3D27	

BASE 3-DRAWER BREADBOARD

MODIFICATION LIMITS

Width 9" – 27"
 Height 23" – 40-1/2"
 Depth 24" – 30"

- Top drawer flips down to allow access to breadboard and knife drawer
- See above for **2DF1** modification



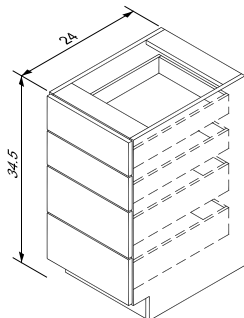
B3DBB
B3D12BB
B3D15BB
B3D18BB
B3D21BB
B3D24BB
B3D27BB

BASE 4-DRAWER

MODIFICATION LIMITS

Width 9" – 36"
 Height 29" – 46-1/2"
 Depth 12" – 30"

- See above for **2DF1** and **ICB** modifications



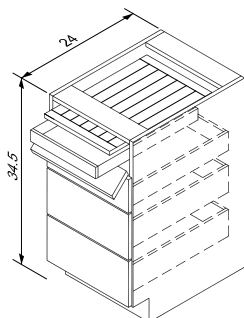
B4D
B4D12
B4D15
B4D18
B4D21
B4D24
B4D27
B4D30
B4D33
B4D36

BASE 4-DRAWER BREADBOARD

MODIFICATION LIMITS

Width 12" – 27"
 Height 29" – 46-1/2"
 Depth 24" – 30"

- Top drawer flips down to allow access to breadboard and knife drawer



B4DBB
B4D12BB
B4D15BB
B4D18BB
B4D21BB
B4D24BB
B4D27BB

Base Cabinets

	M0	M1	M2	M3	M3A	M4	M4A	M5	M5A	M6	M6A	M7	M8	M9	M10	M11	M11A	M13	M15	M16	
BASE 3-DRAWER																					
B3D12	507	634	724	790	790	790	790	790	790	790	790	790	1045	790	855	921	921	1045	1045	1128	
B3D15	544	680	780	872	872	872	872	872	872	872	872	872	1126	872	943	1038	1038	1126	1126	1314	
B3D18	581	726	834	955	955	955	955	955	955	955	955	955	1209	955	1033	1153	1153	1209	1209	1501	
B3D21	618	772	889	1036	1036	1036	1036	1036	1036	1036	1036	1036	1291	1036	1119	1269	1269	1291	1291	1686	
B3D24	654	817	943	1118	1118	1118	1118	1118	1118	1118	1118	1118	1372	1118	1208	1386	1386	1372	1372	1872	
B3D27	690	863	999	1199	1199	1199	1199	1199	1199	1199	1199	1199	1453	1199	1296	1501	1501	1453	1453	2057	
B3D30	727	909	1053	1280	1280	1280	1280	1280	1280	1280	1280	1280	1535	1280	1384	1616	1616	1535	1535	2244	
B3D33	764	955	1107	1364	1364	1364	1364	1364	1364	1364	1364	1364	1618	1364	1474	1733	1733	1618	1618	2429	
B3D36	801	1001	1162	1445	1445	1445	1445	1445	1445	1445	1445	1445	1699	1445	1562	1849	1849	1699	1699	2615	
B3D39	988	1235	1404	1715	1715	1715	1715	1715	1715	1715	1715	1715	1969	1715	1838	2154	2154	1969	1969	2990	
B3D42	1175	1469	1649	1986	1986	1986	1986	1986	1986	1986	1986	1986	2240	1986	2117	2458	2458	2240	2240	3365	

	M0	M1	M2	M3	M3A	M4	M4A	M5	M5A	M6	M6A	M7	M8	M9	M10	M11	M11A	M13	M15	M16	
BASE 3-DRAWER BREADBOARD																					
B3D12BB	618	773	863	929	929	929	929	929	929	929	929	929	1184	929	1004	1060	1060	1184	1184	1269	
B3D15BB	676	845	943	1036	1036	1036	1036	1036	1036	1036	1036	1036	1291	1036	1119	1202	1202	1291	1291	1481	
B3D18BB	733	916	1024	1143	1143	1143	1143	1143	1143	1143	1143	1143	1398	1143	1235	1343	1343	1398	1398	1693	
B3D21BB	788	985	1102	1250	1250	1250	1250	1250	1250	1250	1250	1250	1504	1250	1350	1484	1484	1504	1504	1903	
B3D24BB	846	1057	1182	1357	1357	1357	1357	1357	1357	1357	1357	1357	1611	1357	1465	1625	1625	1611	1611	2113	
B3D27BB	901	1126	1262	1464	1464	1464	1464	1464	1464	1464	1464	1464	1718	1464	1582	1766	1766	1718	1718	2325	

	M0	M1	M2	M3	M3A	M4	M4A	M5	M5A	M6	M6A	M7	M8	M9	M10	M11	M11A	M13	M15	M16	
BASE 4-DRAWER																					
B4D12	567	709	819	872	872	872	872	872	872	872	872	872	1211	872	943	1001	1001	1211	1211	1182	
B4D15	608	760	879	957	957	957	957	957	957	957	957	957	1296	957	1035	1121	1121	1296	1296	1374	
B4D18	647	809	936	1043	1043	1043	1043	1043	1043	1043	1043	1043	1382	1043	1128	1241	1241	1382	1382	1564	
B4D21	686	858	996	1128	1128	1128	1128	1128	1128	1128	1128	1128	1467	1128	1219	1241	1241	1467	1467	1752	
B4D24	726	907	1053	1213	1213	1213	1213	1213	1213	1213	1213	1213	1552	1213	1311	1479	1479	1552	1552	1942	
B4D27	766	957	1111	1299	1299	1299	1299	1299	1299	1299	1299	1299	1638	1299	1404	1599	1599	1638	1638	2132	
B4D30	806	1007	1170	1384	1384	1384	1384	1384	1384	1384	1384	1384	1723	1384	1496	1718	1718	1723	1723	2322	
B4D33	846	1057	1228	1469	1469	1469	1469	1469	1469	1469	1469	1469	1808	1469	1587	1838	1838	1808	1808	2510	
B4D36	885	1106	1286	1555	1555	1555	1555	1555	1555	1555	1555	1555	1894	1555	1681	1957	1957	1894	1894	2700	

	M0	M1	M2	M3	M3A	M4	M4A	M5	M5A	M6	M6A	M7	M8	M9	M10	M11	M11A	M13	M15	M16	
BASE 4-DRAWER BREADBOARD																					
B4D12BB	678	848	958	1011	1011	1011	1011	1011	1011	1011	1011	1011	1350	1011	1092	1140	1140	1350	1350	1323	
B4D15BB	739	924	1041	1121	1121	1121	1121	1121	1121	1121	1121	1121	1460	1121	1211	1286	1286	1460	1460	1540	
B4D18BB	799	999	1126	1231	1231	1231	1231	1231	1231	1231	1231	1231	1570	1231	1331	1430	1430	1570	1570	1755	
B4D21BB	858	1072	1209	1342	1342	1342	1342	1342	1342	1342	1342	1342	1681	1342	1450	1574	1574	1681	1681	1969	
B4D24BB	917	1146	1292	1452	1452	1452	1452	1452	1452	1452	1452	1452	1791	1452	1569	1718	1718	1791	1791	2184	
B4D27BB	977	1221	1375	1562	1562	1562	1562	1562	1562	1562	1562	1562	1901	1562	1688	1862	1862	1901	1901	2398	

BASE DOUBLE-ENTRY

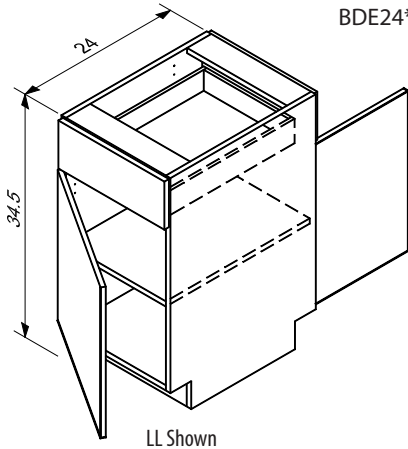
- One 3/4" thick full-depth adjustable shelf
- False drawer front on back side of cabinet
- Apply 2DF1 mod. for two horizontal top drawers

MODIFICATION LIMITS

Width 9" – 24"
 Height 22-1/2" – 46-1/2"
 Depth 12" – 30"

BDE2DR2DWR

BDE12**
 BDE15**
 BDE18**
 BDE21**
 BDE24**

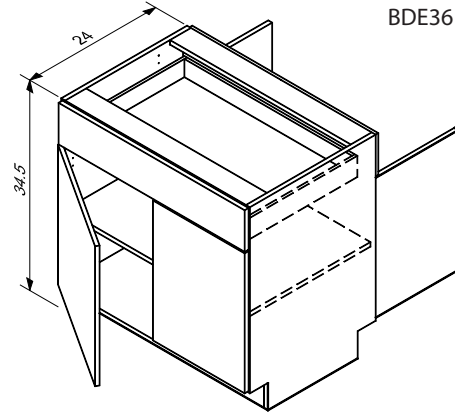


MODIFICATION LIMITS

Width 18" – 36"
 Height 22-1/2" – 46-1/2"
 Depth 12" – 30"

BDE4DR2DWR

BDE24DD
 BDE27
 BDE30
 BDE33
 BDE36



FULL BASE DOUBLE-ENTRY

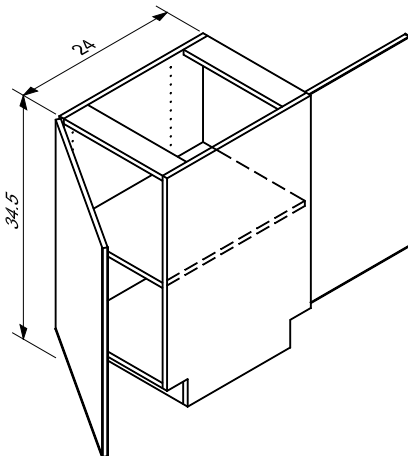
- One 3/4" thick full-depth adjustable shelf
- False drawer front on back side of cabinet

MODIFICATION LIMITS

Width 9" – 24"
 Height 16-1/2" – 46-1/2"
 Depth 9" – 30"

FBDE2DR

FBDE12**
 FBDE15**
 FBDE18**
 FBDE21**
 FBDE24**

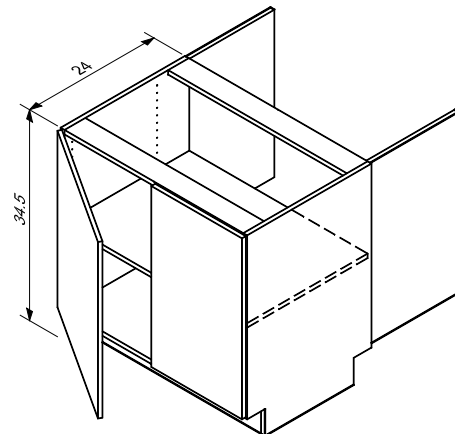


MODIFICATION LIMITS

Width 18" – 36"
 Height 16-1/2" – 46-1/2"
 Depth 9" – 30"

FBDE4DR

FBDE24DD
 FBDE27
 FBDE30
 FBDE33
 FBDE36



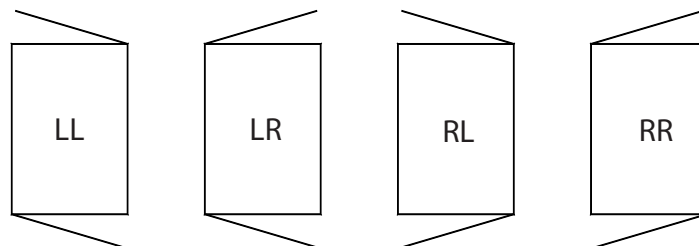
Base Cabinets

**LL, LR, RL or RR required

	M0	M1	M2	M3	M3A	M4	M4A	M5	M5A	M6	M6A	M7	M8	M9	M10	M11	M11A	M13	M15	M16
BASE DOUBLE-ENTRY (2-DR)																				
BDE12**	574	717	824	990	990	990	990	1097	1097	1097	1097	1150	1204	1257	1358	1282	1282	1406	1638	1743
BDE15**	616	770	892	1089	1089	1089	1089	1221	1221	1221	1221	1280	1340	1399	1511	1464	1464	1608	1874	1974
BDE18**	663	829	962	1191	1191	1191	1191	1345	1345	1345	1345	1411	1479	1542	1665	1643	1643	1805	2103	2262
BDE21**	706	882	1029	1287	1287	1287	1287	1470	1470	1470	1470	1542	1615	1684	1820	1825	1825	2003	2337	2559
BDE24**	750	938	1099	1386	1386	1386	1386	1591	1591	1591	1591	1669	1747	1823	1969	2003	2003	2200	2566	2856
BASE DOUBLE-ENTRY (4-DR)																				
BDE24DD	819	1024	1213	1521	1521	1521	1521	1732	1732	1732	1732	1816	1903	1986	2145	2110	2110	2317	2703	2921
BDE27	864	1080	1282	1620	1620	1620	1620	1855	1855	1855	1855	1947	2037	2128	2300	2288	2288	2513	2934	3217
BDE30	908	1135	1350	1718	1718	1718	1718	1979	1979	1979	1979	2078	2176	2271	2454	2468	2468	2712	3166	3514
BDE33	953	1191	1416	1816	1816	1816	1816	2101	2101	2101	2101	2203	2308	2410	2603	2649	2649	2912	3399	3814
BDE36	998	1247	1486	1913	1913	1913	1913	2225	2225	2225	2225	2334	2444	2552	2758	2827	2827	3107	3628	4111

	M0	M1	M2	M3	M3A	M4	M4A	M5	M5A	M6	M6A	M7	M8	M9	M10	M11	M11A	M13	M15	M16
FULL BASE DOUBLE-ENTRY (2-DR)																				
FBDE12**	464	580	661	809	809	809	809	941	941	941	941	987	1035	1077	1163	1133	1133	1241	1445	1611
FBDE15**	501	626	722	894	894	894	894	1057	1057	1057	1057	1107	1162	1209	1308	1306	1306	1431	1669	1913
FBDE18**	538	672	780	974	974	974	974	1172	1172	1172	1172	1230	1287	1342	1450	1481	1481	1625	1894	2213
FBDE21**	574	717	840	1057	1057	1057	1057	1286	1286	1286	1286	1347	1413	1472	1591	1652	1652	1813	2113	2517
FBDE24**	610	763	901	1138	1138	1138	1138	1401	1401	1401	1401	1469	1538	1604	1733	1825	1825	2003	2337	2815
FULL BASE DOUBLE-ENTRY (4-DR)																				
FBDE24DD	681	851	1018	1277	1277	1277	1277	1545	1545	1545	1545	1620	1698	1771	1913	1932	1932	2122	2474	2883
FBDE27	718	897	1075	1360	1360	1360	1360	1660	1660	1660	1660	1740	1825	1903	2056	2105	2105	2312	2697	3182
FBDE30	754	943	1135	1442	1442	1442	1442	1772	1772	1772	1772	1859	1945	2032	2195	2278	2278	2502	2921	3485
FBDE33	791	989	1196	1525	1525	1525	1525	1888	1888	1888	1888	1979	2073	2164	2339	2451	2451	2692	3143	3785
FBDE36	828	1035	1253	1608	1608	1608	1608	2003	2003	2003	2003	2101	2200	2296	2481	2624	2624	2883	3365	4084

Single Door BDE & FBDE Hinging



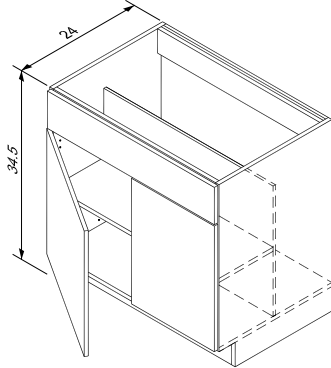
Primary Entry

Base Cabinets

BASE DOWNDRAFT

MODIFICATION LIMITS

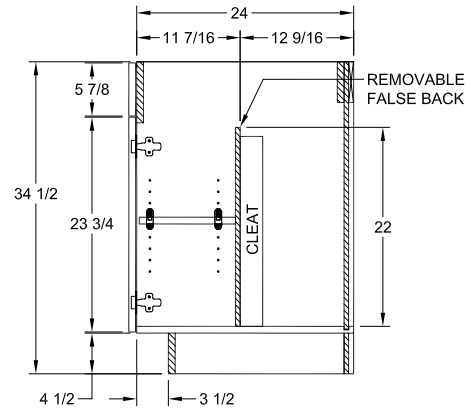
Width 18" – 36"
 Height 22-1/2" – 46-1/2"
 Depth 24" – 30"



- One 3/4" thick half-depth adjustable shelf
- Full 1/2" thick back
- Center vertical divider is removable from front side of cabinet interior

- Area behind center divider is enlarged when depth is increased
- Apply 2FF mod. for two horizontal fronts

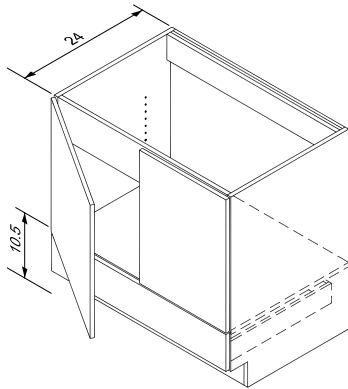
BDD2DR1FF
 BDD30
 BDD33
 BDD36



BASE REVERSE RANGE

MODIFICATION LIMITS

Width 18" – 36"
 Height 34-1/2" – 46-1/2"
 Depth 12" – 30"



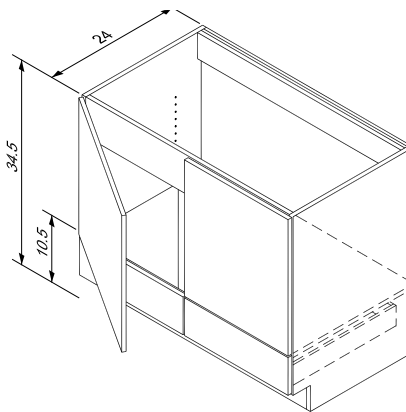
BRR2DR1DWR
 BRR30
 BRR33
 BRR36

- No adjustable shelves
- Full 1/2" thick back

- Apply 2DF1 mod. for two horizontal drawers
- Note: Do not use with downdraft cooktop

MODIFICATION LIMITS

Width 36-1/4" – 42"
 Height 34-1/2" – 46-1/2"
 Depth 12" – 30"



BRR2DR2DWR
 BRR39
 BRR42

Base Cabinets

	M0	M1	M2	M3	M3A	M4	M4A	M5	M5A	M6	M6A	M7	M8	M9	M10	M11	M11A	M13	M15	M16	
BASE DOWNDRAFT																					
BDD30	632	790	933	1046	1046	1046	1046	1201	1201	1201	1201	1252	1304	1355	1464	1489	1489	1621	1869	2103	
BDD33	657	821	972	1099	1099	1099	1099	1267	1267	1267	1267	1321	1377	1431	1547	1589	1589	1732	1998	2271	
BDD36	681	851	1013	1150	1150	1150	1150	1335	1335	1335	1335	1392	1452	1509	1632	1689	1689	1842	2127	2441	

	M0	M1	M2	M3	M3A	M4	M4A	M5	M5A	M6	M6A	M7	M8	M9	M10	M11	M11A	M13	M15	M16	
BASE REVERSE RANGE																					
BRR30	630	787	929	1045	1045	1045	1045	1197	1197	1197	1197	1255	1314	1370	1481	1486	1486	1632	1901	2101	
BRR33	658	823	974	1101	1101	1101	1101	1270	1270	1270	1270	1331	1394	1455	1572	1591	1591	1747	2037	2276	
BRR36	686	858	1019	1158	1158	1158	1158	1342	1342	1342	1342	1406	1472	1537	1660	1696	1696	1862	2171	2449	
BRR39	766	958	1145	1282	1282	1282	1282	1481	1481	1481	1481	1552	1625	1696	1832	1867	1867	2050	2391	2666	
BRR42	795	994	1189	1340	1340	1340	1340	1552	1552	1552	1552	1628	1703	1779	1922	1972	1972	2166	2527	2839	

Base Cabinets

BASE OVENS

MODIFICATION LIMITS

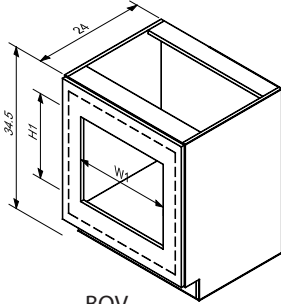
Width	24" – 36"
Height	No Height Mods
Depth	12" – 30"

Custom Cutout Mod.

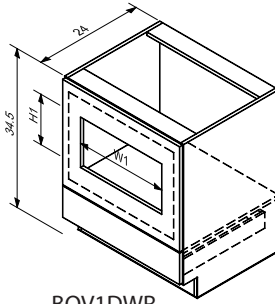
CC1

MSRP

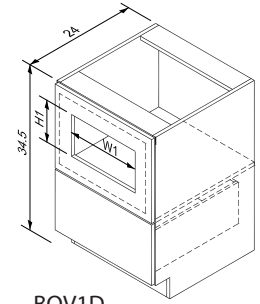
382



BOV
BOV(width)



BOVD1DWR
BOVD(width)



BOVD1D
BOVD1D(width)

BASE OVEN

Opening	Existing & Min. Cutout	Max. Cutout
W1 (width)	Cab. Width - 9"	Cab. Width - 3"
H1 (height)	17-7/8"	27-1/2"

BASE OVEN WITH DRAWER

Opening	Existing & Min. Cutout	Max. Cutout
W1 (width)	Cab. Width - 9"	Cab. Width - 3"
H1 (height)	11-7/8"	20-7/8"

BASE OVEN WITH 1 DEEP DRAWER

Opening	Existing & Min. Cutout	Max. Cutout
W1 (width)	Cab. Width - 9"	Cab. Width - 3"
H1 (height)	8-15/16"	14-15/16"

Panel Sizes by cabinet width & type

Cabinet Width	Panel Width	Panel Heights		
		BOV	BOVD	BOVD1D
24"	23-7/8"	29-3/4"	23-3/4"	17-13/16"
27"	26-7/8"			
30"	29-7/8"			
33"	32-7/8"			
36"	35-7/8"			

Cabinet	Drawer Opening Height	Drawer Front Height
BOVD	3-1/4"	5-7/8"
BOVD1D	8-1/2"	*11-13/16"

*Same as bottom dwr. of B3D cab.

• Custom factory cutouts are available, apply Custom Cutout Modification. See pg M-13 for CC1 specs and pricing. Minimum and maximum cutout dimensions listed above

- Full 1/2" back construction
- Height from floor to top of fixed shelf: BOVD 11-1/16" and BOVD1D 16-9/16"
- Apply **2DF1** mod. for two horizontal drawers
- Removable oven panel attaches to face of cabinet and has same edge detail as door
- **Solid Wood, Mitered & M&T door styles:** Panel is stile and rail construction. Wide stiles and rails allow opening size to be enlarged in field. Removal of screws from back side of panel may be required before cutting.

- Standard opening for wood door styles will be min. cutout dimensions (see size charts below)
- Cutouts are centered vertically and horizontally
- **Acrylic, Foil, Greenlam, HPL, LPL, Thermofoil, TSS, Wood Veneer and Bamboo Plywood door styles:** Removable panel is a one-piece, slab construction, with no opening and is shipped attached. Field cutout required.
- Oven shelf and cleats are tacked to interior cabinet shelf for field install

	M0	M1	M2	M3	M3A	M4	M4A	M5	M5A	M6	M6A	M7	M8	M9	M10	M11	M11A	M13	M15	M16
BASE OVEN																				
BOV24	440	550	673	756	756	756	756	907	907	907	907	951	994	1038	1038	1128	1128	1236	1440	1604
BOV27	458	572	689	773	773	773	773	968	968	968	968	1014	1062	1107	1107	1211	1211	1328	1547	1767
BOV30	476	595	722	817	817	817	817	1031	1031	1031	1031	1080	1131	1179	1179	1308	1308	1435	1672	1932
BOV33	497	621	756	860	860	860	860	1094	1094	1094	1094	1146	1199	1252	1252	1404	1404	1542	1796	2096
BOV36	517	646	790	904	904	904	904	1155	1155	1155	1155	1211	1267	1321	1428	1501	1501	1647	1920	2261
BASE OVEN W/ DRAWER																				
BOVD24	591	739	865	955	955	955	955	1079	1079	1079	1079	1128	1179	1228	1326	1301	1301	1423	1650	1777
BOVD27	622	777	911	1013	1013	1013	1013	1152	1152	1152	1152	1204	1258	1311	1416	1406	1406	1538	1786	1952
BOVD30	650	812	957	1070	1070	1070	1070	1225	1225	1225	1225	1282	1340	1396	1508	1511	1511	1655	1922	2127
BOVD33	680	850	1001	1128	1128	1128	1128	1296	1296	1296	1296	1357	1418	1477	1596	1618	1618	1772	2059	2303
BOVD36	710	887	1046	1186	1186	1186	1186	1369	1369	1369	1369	1433	1498	1562	1688	1723	1723	1888	2195	2478
BASE OVEN W/ DEEP DRAWER																				
BOVD1D24	686	858	996	1097	1097	1097	1097	1187	1187	1187	1187	1238	1292	1350	1494	1406	1406	1535	1784	1801
BOVD1D27	719	899	1048	1165	1165	1165	1165	1267	1267	1267	1267	1325	1384	1443	1559	1515	1515	1657	1925	1972
BOVD1D30	752	940	1101	1233	1233	1233	1233	1347	1347	1347	1347	1411	1476	1537	1623	1623	1623	1779	2066	2144
BOVD1D33	787	984	1148	1299	1299	1299	1299	1421	1421	1421	1421	1489	1557	1621	1752	1735	1735	1901	2210	2320
BOVD1D36	822	1028	1196	1365	1365	1365	1365	1496	1496	1496	1496	1567	1638	1706	1881	1847	1847	2023	2354	2497

Base Cabinets

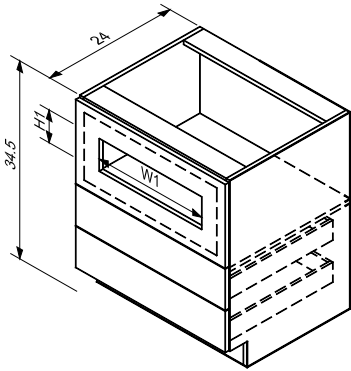
BASE WARMING DRAWER

MODIFICATION LIMITS

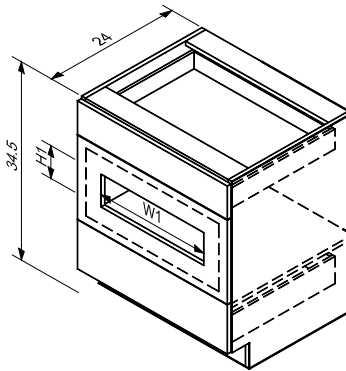
Width 24" – 39"
 Height No Height Mods
 Depth 12" – 30"

- Full 1/2" thick back construction
- Apply **2DF1** mod. for two horizontal drawers
- Removable oven panel attaches to face of cabinet and has same edge detail as door
- **Solid Wood, Mitered & M & T door styles:** Panel is stile and rail construction. Wide stiles and rails allow opening size to be enlarged in field. Removal of screws from back side of panel may be required before cutting.
- Standard opening for wood door styles will be min. cutout dimensions (see size charts below)
- Cutouts are centered vertically and horizontally

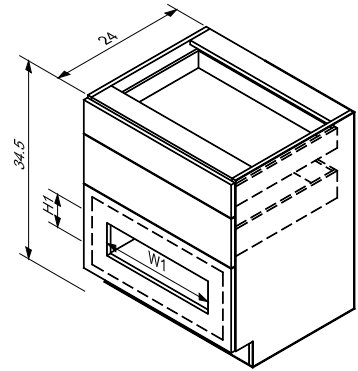
- **Acrylic, Foil, Greenlam, HPL, LPL, Thermofoil, TSS, Wood Veneer and Bamboo Plywood door styles:** Removable panel is a one-piece, slab construction, with no opening and is shipped attached. Field cutout required.
- Oven shelf and cleats are tacked to interior cabinet shelf for field install
- Custom factory cutouts are available, apply Custom Cutout Modification. See pg M-13 for **CC1** specs and pricing. Minimum and maximum cutout dimensions listed below.



BWDT2DWR
BWDT(width)



BWDM2DWR
BWDM(width)



BWDB2DWR
BWDB(width)

Panel Sizes by cabinet width

Cabinet Width	Panel Width	Panel Height BWD: T, M, B
27"	26-7/8"	14-3/4"
30"	29-7/8"	
33"	32-7/8"	

BASE WARMING DRAWER (T, M & B)

Opening	Existing & Min. Cutout	Max. Cutout
W1 (width)	Cab. Width - 9"	Cab. Width - 3"
H1 (height)	5-7/8"	11-7/8"

Cabinet	Top Drawer Opening Height	Bottom Drawer Opening Height
BWDT	6-7/16"	6-7/16"
BWD: M,B	5-1/16"	7-13/16"

	M0	M1	M2	M3	M3A	M4	M4A	M5	M5A	M6	M6A	M7	M8	M9	M10	M11	M11A	M13	M15	M16
WARMING DRAWER - TOP																				
BWDT27	719	899	1048	1165	1165	1165	1165	1267	1267	1267	1267	1325	1384	1443	1559	1515	1515	1657	1925	1972
BWDT30	752	940	1101	1233	1233	1233	1233	1347	1347	1347	1347	1411	1476	1537	1659	1623	1623	1779	2066	2144
BWDT33	787	984	1148	1299	1299	1299	1299	1421	1421	1421	1421	1489	1557	1621	1752	1735	1735	1901	2210	2320
WARMING DRAWER - MIDDLE																				
BWDM27	719	899	1048	1165	1165	1165	1165	1267	1267	1267	1267	1325	1384	1443	1559	1515	1515	1657	1925	1972
BWDM30	752	940	1101	1233	1233	1233	1233	1347	1347	1347	1347	1411	1476	1537	1659	1623	1623	1779	2066	2144
BWDM33	787	984	1148	1299	1299	1299	1299	1421	1421	1421	1421	1489	1557	1621	1752	1735	1735	1901	2210	2320
WARMING DRAWER - BOTTOM																				
BWDB27	719	899	1048	1165	1165	1165	1165	1267	1267	1267	1267	1325	1384	1443	1559	1515	1515	1657	1925	1972
BWDB30	752	940	1101	1233	1233	1233	1233	1347	1347	1347	1347	1411	1476	1537	1659	1623	1623	1779	2066	2144
BWDB33	787	984	1148	1299	1299	1299	1299	1421	1421	1421	1421	1489	1557	1621	1752	1735	1735	1901	2210	2320

CUSTOM CUTOUT MODIFICATION (CC1)

	MSRP
CC1	382

Base Cabinets

* L or R required

BASE BAKE CENTER

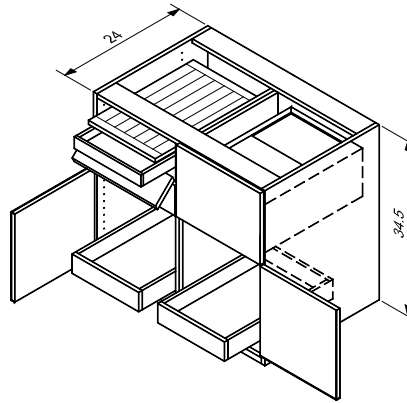
MODIFICATION LIMITS

Width No width mods
 Height 28-1/2" – 46-1/2"
 Depth No depth mods

- Right or Left determined by side with breadboard
- Two 3-1/4" H adjustable dovetailed hardwood roll-outs

- Top drawer flips down to allow access to breadboard and shallow drawer
- Sliding bread drawer cover is white plastic
- Height modification comes from door opening

BBC
 BBC30*
 BBC36*



	M0	M1	M2	M3	M3A	M4	M4A	M5	M5A	M6	M6A	M7	M8	M9	M10	M11	M11A	M13	M15	M16
BBC30*	1218	1523	1735	1864	1864	1864	1864	1996	1996	1996	1996	2095	2193	2290	2473	2310	2310	2537	2961	2895
BBC36*	1281	1601	1823	1961	1961	1961	1961	2100	2100	2100	2100	2203	2307	2408	2602	2429	2429	2668	3114	3044

BASE COOKTOP

MODIFICATION LIMITS

Width 18" – 36"
 Height 22-1/2" – 46-1/2"
 Depth 9" - 30"

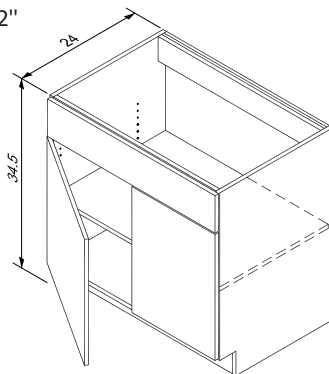
- Full 1/2" thick back construction
- One 3/4" thick full-depth adjustable shelf
- Apply ITO modification for tip-out tray
- Apply 2FF modification for two horizontal fronts

MODIFICATION LIMITS

Width 36 1/4" – 42"
 Height 22-1/2" – 46-1/2"
 Depth 9" - 30"

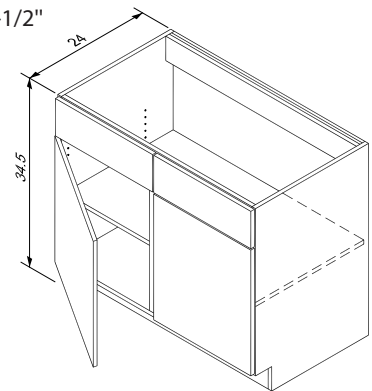
BCT2DR1FF

BCT30
 BCT33
 BCT36



BCT2DR2FF

BCT39
 BCT42



	M0	M1	M2	M3	M3A	M4	M4A	M5	M5A	M6	M6A	M7	M8	M9	M10	M11	M11A	M13	M15	M16
BCT30	530	663	806	919	919	919	919	1074	1074	1074	1074	1124	1177	1228	1326	1362	1362	1494	1742	1976
BCT33	555	694	845	972	972	972	972	1140	1140	1140	1140	1194	1250	1304	1409	1462	1462	1604	1871	2144
BCT36	579	724	885	1023	1023	1023	1023	1208	1208	1208	1208	1265	1325	1382	1494	1562	1562	1715	2000	2313
BCT39	622	778	967	1104	1104	1104	1104	1303	1303	1303	1303	1365	1430	1491	1611	1689	1689	1855	2164	2485
BCT42	649	811	1007	1157	1157	1157	1157	1369	1369	1369	1369	1435	1503	1567	1693	1789	1789	1964	2291	2654

Base Cabinets

BASE MICROWAVE

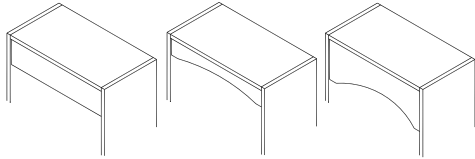
MODIFICATION LIMITS

Width 12" – 36"
 Height 29-1/4" – 46-1/2"
 Depth 12" – 30"

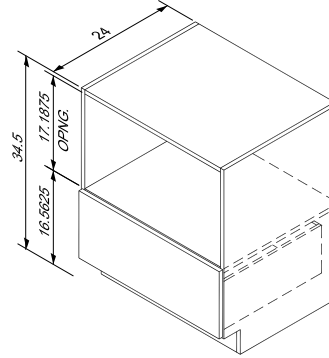
- Full 1/2" thick back construction
- Finished interior (FMI)
- Opening width = 1-1/2" less than cabinet
- Drawer front height matches bottom drawer of B3D cabinets

- Height reductions (RH) come from drawer
- Height increases (IH) are added to opening
- Apply **2DF1** modification for two horizontal drawers

Optional Top Rail Valances (See Modification section)



- | BM |
|------|
| BM24 |
| BM27 |
| BM30 |
| BM33 |
| BM36 |



	M0	M1	M2	M3	M3A	M4	M4A	M5	M5A	M6	M6A	M7	M8	M9	M10	M11	M11A	M13	M15	M16
BM24	727	909	1035	1124	1124	1124	1124	1248	1248	1248	1248	1297	1348	1398	1509	1470	1470	1593	1820	1947
BM27	757	946	1080	1182	1182	1182	1182	1321	1321	1321	1321	1374	1428	1481	1599	1576	1576	1708	1955	2122
BM30	786	982	1126	1240	1240	1240	1240	1394	1394	1394	1394	1452	1509	1565	1691	1681	1681	1825	2091	2296
BM33	815	1019	1170	1297	1297	1297	1297	1465	1465	1465	1465	1526	1587	1647	1779	1788	1788	1942	2229	2473
BM36	846	1057	1216	1355	1355	1355	1355	1538	1538	1538	1538	1603	1667	1732	1871	1893	1893	2057	2364	2647

BASE APPLIANCE GARAGE

MODIFICATION LIMITS

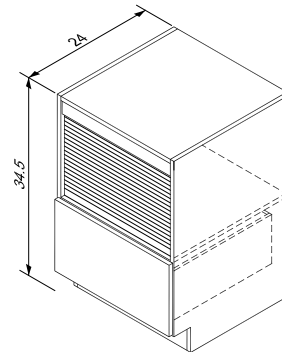
Width 15" – 36"
 Height No Height Mods
 Depth 18" – 30"

- Finished interior (FMI)
- Opening height: 13-1/4" when tambour door is raised
- Height of tambour section: 18"
- Drawer opening height: 8-1/2"

- Drawer front height matches bottom drawer of B3D cabinets
- **Not available:** Exotic Wood Veneer, TSS, Foil, Greenlam

BAG1D

- | | |
|-------|-------|
| BAG15 | BAG27 |
| BAG18 | BAG30 |
| BAG21 | BAG33 |
| BAG24 | BAG36 |



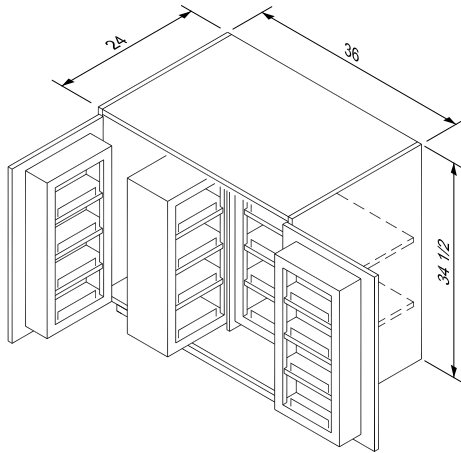
	M0	M1	M2	M3	M3A	M4	M4A	M5	M5A	M6	M6A	M7	M8	M9	M10	M11	M11A	M13	M15	M16
BAG15	902	1128	1023	1299	1299	1299	1299	1299	1299	1299	1299	1299	1426	1299	1404	1506	1506	1484	1426	1766
BAG18	933	1167	1062	1338	1338	1338	1338	1338	1338	1338	1338	1338	1465	1338	1392	1548	1548	1526	1465	1808
BAG21	990	1238	1326	1437	1437	1437	1437	1437	1437	1437	1437	1437	1564	1437	1496	1677	1677	1630	1564	2040
BAG24	1048	1311	1406	1537	1537	1537	1537	1537	1537	1537	1537	1537	1664	1537	1601	1806	1806	1733	1511	2173
BAG27	1107	1384	1486	1637	1637	1637	1637	1637	1637	1637	1637	1637	1764	1637	1706	1935	1935	1837	1764	2352
BAG30	1167	1459	1565	1737	1737	1737	1737	1737	1737	1737	1737	1737	1864	1737	1810	2066	2066	1942	1864	2537
BAG33	1225	1530	1643	1837	1837	1837	1837	1837	1837	1837	1837	1837	1964	1837	1915	2195	2195	2045	1964	2717
BAG36	1282	1603	1723	1937	1937	1937	1937	1937	1937	1937	1937	1937	2064	1937	2020	2324	2324	2149	2064	2898

Base Cabinets

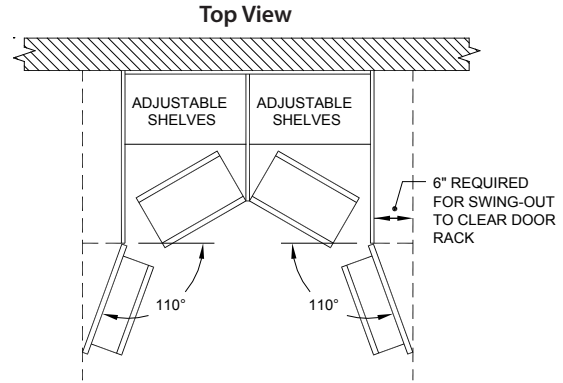
FULL BASE SWING-OUT SHELF PANTRY

MODIFICATION LIMITS

No Modifications



- Swing-out shelves and door storage are solid 1/2" thick plywood with natural finish
- Two swing-out pantry racks: 12" W x 25" H x 7-1/2" D with adjustable shelves and chrome rails
- Two door storage racks: 12" W x 25" H x 4" D with adjustable shelves, chrome rails and adjustable door mount brackets
- Four adjustable shelves (behind pantry racks)
- **Design Note:** Allow a minimum of 6" from edge of cabinet to an adjacent wall or object for swing-out shelves to clear door rack when opened

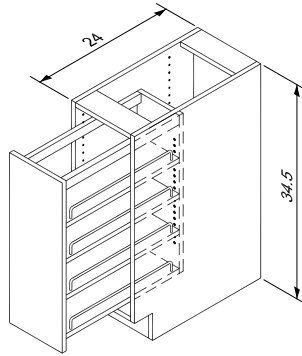


FBSOS__	M0	M1	M2	M3	M3A	M4	M4A	M5	M5A	M6	M6A	M7	M8	M9	M10	M11	M11A	M13	M15	M16
FBSOS36	2090	2612	2758	2871	2871	2871	2871	3104	3104	3104	3104	3161	3219	3277	3387	3468	3468	3621	3904	4328

FULL BASE PANTRY PULL-OUT

MODIFICATION LIMITS

Width No Width mods
 Height No Height mods
 Depth 24" – 30"
 (Applied to cabinet only)



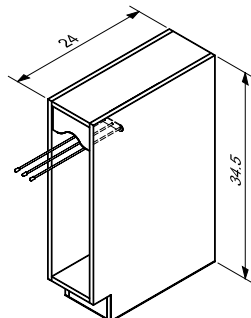
- Three adjustable shelves with chrome rails
- Plywood construction with natural finish
- Soft-close undermount guides
- Pull-out dimensions: 6-1/2", 9-1/2" or 11" W x 25-1/2" H x 21-3/4" D
- Allow clearance adjacent to pull-out for hardware, appliances, and wall mouldings when pull-out is extended

FBPP1DR	M0	M1	M2	M3	M3A	M4	M4A	M5	M5A	M6	M6A	M7	M8	M9	M10	M11	M11A	M13	M15	M16
FBPP09	805	1006	1052	1080	1080	1080	1080	1140	1140	1140	1140	1163	1187	1209	1308	1219	1219	1274	1375	1425
FBPP12	897	1121	1175	1214	1214	1214	1214	1292	1292	1292	1292	1319	1347	1372	1482	1404	1404	1469	1589	1686
FBPP15	1004	1255	1316	1360	1360	1360	1360	1447	1447	1447	1447	1477	1508	1537	1660	1572	1572	1645	1779	1888

BASE OPEN TOWEL RACK

MODIFICATION LIMITS

Width No Width mods
 Height 28-1/2" – 46-1/2"
 Depth 24" – 30"



- Finished interior (FMI)
- Arch is recessed 1/4" from front of cabinet face
- Three-pronged chrome pull-out is mounted on left side, extends approximately 12" from cabinet face

BOTR	MSRP
BOTR09A	933

Base Cabinets

* L or R required

BASE FILLER PULL-OUT ORGANIZERS NOTES

FILLER PULL-OUTS:

- Designed to fit between two cabinets
- Callout width = space required to install between cabinets
- Plywood with natural wood finish
- Filler face is flush with frames of adjacent cabinets
- (S) Square edge detail on all four sides
- When installed, 1/16" reveal on each side
- Soft-close undermount guides mounted to top and bottom of pull-out

OPTIONAL PLANT-ON MODELS:

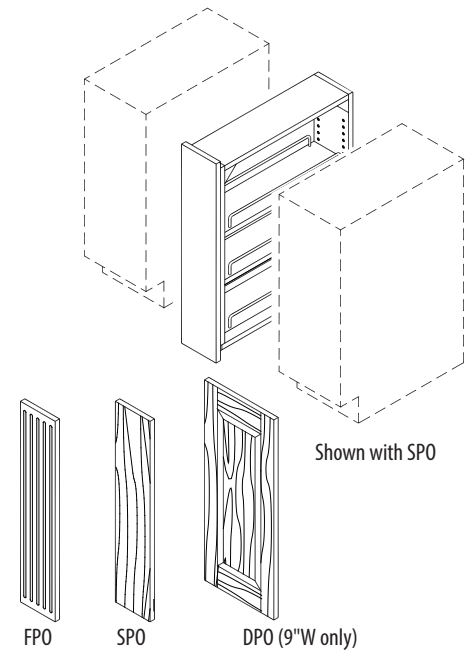
- Fluted (FPO) and Solid (SPO) for 3" or 6" widths
Door (DPO) available for 9" W only
- Plant-on height is the same as a full base height door
 - Edge detail matches door style edge detail
 - Plant-ons shipped loose

- 9" wide pull-out option is a door plant-on (DPO) instead of filler
- Install at jobsite

INSTALL/DESIGN Notes:

- Knob or pull required (not included)
- Flush opening required (see Opt. 1 & 2 below)
 - Opt. 1: Unfinished exterior of cabinets will be visible when unit is pulled out
 - Opt. 2: For a finished look order adjacent cabinets with Integral Finished Ends (IFE)

- Door styles **not available:**
Mount Vernon & Springwood
(Slab door provided instead)



BASE FILLER PULL-OUT SPICE RACK

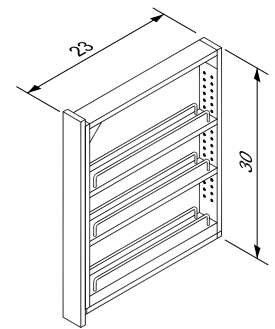
- Includes chrome rails and two adjustable shelves

MODIFICATION LIMITS

No Modifications

BFPS03_	MSRP	BFPS06_	MSRP
BFPS03	957	BFPS06	1160
BFPS03-FPO	1169	BFPS06-FPO	1372
BFPS03-SPO	1169	BFPS06-SPO	1372
BFPS09_		MSRP	
BFPS09		1391	

BFPS09-DPO Prices below



	M0	M1	M2	M3	M3A	M4	M4A	M5	M5A	M6	M6A	M7	M8	M9	M10	M11	M11A	M13	M15	M16
BFPS09-DPO	1190	1487	1518	1518	1537	1528	1545	1567	1589	1586	1608	1586	1586	1608	1625	1608	1630	1657	1723	1679

BASE FILLER PULL-OUT STAINLESS STEEL

- Includes magnetic stainless steel panel and assortment of black accessory hooks and pegs
- 9" W pull-out also includes adjustable shelves with chrome rails

MODIFICATION LIMITS

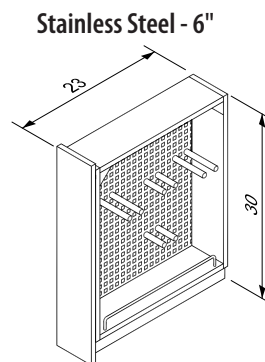
No Modifications

BFPSS* (L/R)	MSRP
BFPSS06*	1525
BFPSS06-FPO*	1737
BFPSS06-SPO*	1737

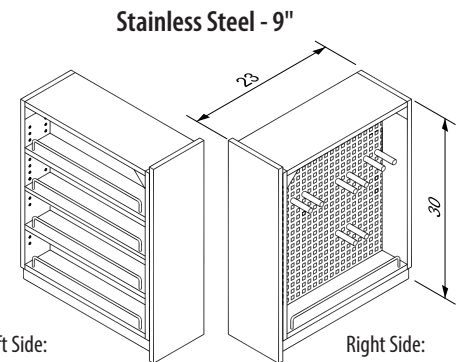
*Specify L or R orientation
(determines side the panel will be installed)

BFPSS	MSRP
BFPSS09	1847

BFPSS09-DPO Prices below



Left Shown



Left Side:
Adjustable shelves
w/chrome rails

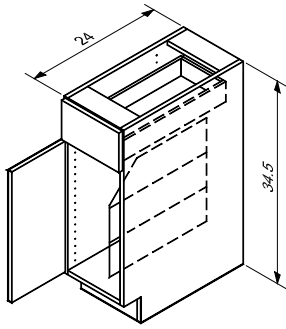
Right Side:
Stainless steel panel
and chrome rail

	M0	M1	M2	M3	M3A	M4	M4A	M5	M5A	M6	M6A	M7	M8	M9	M10	M11	M11A	M13	M15	M16
BFPSS09-DPO	1556	1945	1976	1976	1993	1984	2003	2025	2047	2042	2064	2042	2042	2064	2083	2064	2086	2113	2179	2135

BASE TRAY

MODIFICATION LIMITS

Width 9" – 18"
 Height 34-1/2" – 46-1/2"
 Depth 24" – 30"



- Chrome wire tray dividers are evenly spaced
- Divider dimension: 18" H x 20" D

- Number of dividers depends on cabinet width
- **Not available:** mid-heights

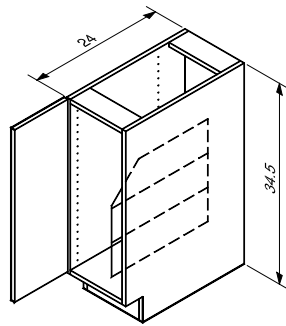
	Qty. of dividers
<u>BT1DR1DWR</u>	
BT09*	1
BT12*	1
BT15*	2

FULL BASE TRAY

MODIFICATION LIMITS

Width 6" – 18"
 Height 28-1/2" – 46-1/2"
 Depth 24" – 30"

➔ Cabinets < 9" wide will not have tray dividers



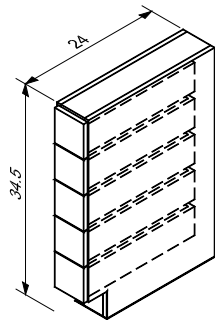
- See notes above

	Qty. of dividers
<u>FBT1DR</u>	
FBT09*	1
FBT12*	1
FBT15*	2

BASE APOTHECARY DRAWER

MODIFICATION LIMITS

Width 6" – 9"
 Height No Height Mods
 Depth 12" – 30"



- Finished ends and interior
- Wood styles have Slab drawer fronts with horizontal grain
- Available with all edge details
- Sides, top and bottom are 3/4" thick
- Drawer fronts are equal in height

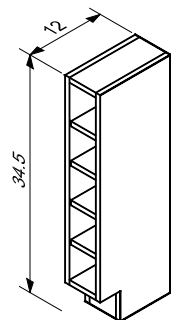
- Drawer boxes are friction fit, hardwood dovetail (HDWDR)
- Drawer boxes in cabinets 6-1/2" W or less use rabbeted joint construction
- There is no additional charge when HDWDR is selected in the global
- **Not available:** DFMD option

<u>BAD</u>
BAD06
BAD09

BASE OPEN CUBBYHOLE

MODIFICATION LIMITS

Width 6" – 12"
 Height No Height mods
 Depth 12" – 24"



- Finished ends and interior
- Openings are 4-1/2" W

- Three middle openings are 5-1/8" H
- Top & bottom openings are 5-1/16" H

<u>BOCH</u>
BOCH06

Base Cabinets

* L or R required

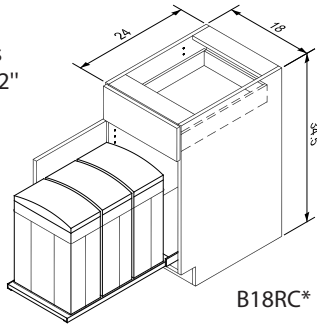
	M0	M1	M2	M3	M3A	M4	M4A	M5	M5A	M6	M6A	M7	M8	M9	M10	M11	M11A	M13	M15	M16	
BASE TRAY																					
BT09*	392	490	555	580	580	580	580	629	629	629	629	658	689	717	775	716	716	784	909	997	
BT12*	418	522	595	634	634	634	634	697	697	697	697	729	763	795	860	812	812	890	1035	1170	
BT15*	444	555	638	689	689	689	689	767	767	767	767	802	840	875	946	912	912	1001	1163	1248	
FULL BASE TRAY																					
FBT09*	345	431	485	524	524	524	524	602	602	602	602	631	658	687	743	707	707	775	899	890	
FBT12*	365	456	521	568	568	568	568	665	665	665	665	695	728	758	819	809	809	887	1031	1070	
FBT15*	390	488	556	612	612	612	612	728	728	728	728	762	797	831	899	909	909	997	1160	1174	
BASE APOTHECARY DRAWER																					
BAD06	1082	1352	1352	1352	1352	1352	1352	1352	1352	1352	1352	1352	1352	1352	1352	1352	1352	1352	1352	1352	
BAD09	1199	1499	1499	1499	1499	1499	1499	1499	1499	1499	1499	1499	1499	1499	1499	1499	1499	1499	1499	1499	
BASE OPEN CUBBYHOLE																					
BOCH06	779	974	974	974	974	1019	1019	1019	1019	974	974	974	974	974	974	1080	1080	974	1080	1080	

BASE & FULL BASE RECYCLE CENTERS

- Includes three white plastic 20-quart bins with color-coded labels and hinged top
- Mounted on full-extension guides for easy removal of bins
- **Note:** B18RC not available in mid-heights

MODIFICATION LIMITS

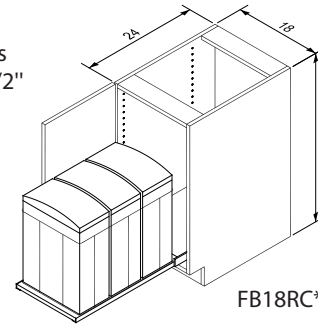
Width No width mods
 Height 34-1/2" – 46-1/2"
 Depth 24" – 30"



B18RC*

MODIFICATION LIMITS

Width No width mods
 Height 28-1/2" – 46-1/2"
 Depth 24" – 30"



FB18RC*

	M0	M1	M2	M3	M3A	M4	M4A	M5	M5A	M6	M6A	M7	M8	M9	M10	M11	M11A	M13	M15	M16
B18RC*	1172	1465	1554	1616	1616	1616	1616	1708	1708	1708	1708	1747	1786	1823	1969	1883	1883	1978	2154	2247
FB18RC*	1088	1360	1433	1489	1489	1489	1489	1606	1606	1606	1606	1640	1674	1706	1844	1788	1788	1872	2030	2218

BASE TRASH PULL-OUT (TOP/BOTTOM MOUNT)

MODIFICATION LIMITS

Width No Width Mods
 Height No Height Mods
 Depth 24" – 30" (Applied to cabinet only)

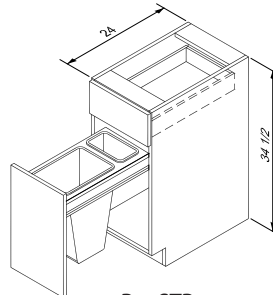
- Allow enough clearance from adjacent objects (hardware, appliances, wall moulding) to fully extend pull-out

- **Not available:** mid-heights

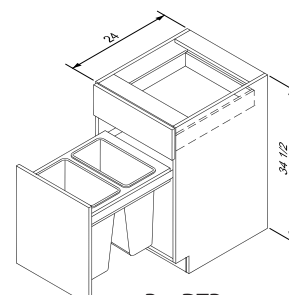
TOP MOUNT pull-outs:

Adjustable door mounting brackets,
 zinc full-extension, soft-close guides
 & silver colored trash bins

- B15STP: One 35 Qt. bin & one small bin
- B15DTP: Two 27 Qt. bins
- B18DTP: Two 35 Qt. bins



B_STP

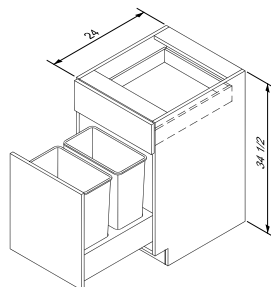


B_DTP

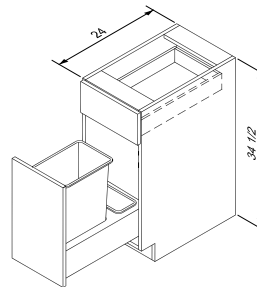
BOTTOM MOUNT pull-outs:

Bottom mounted with soft-close guides
 & silver colored trash bins

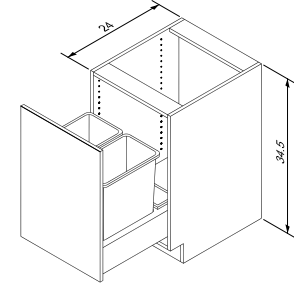
- B15STP-BM: One 35 Qt. bin
- B18DTP-BM: Two 35 Qt. bins
- FB21DTP-BM: Two 50 Qt. bins



B_DTP-BM



B_STP-BM



FB_DTP-BM

	M0	M1	M2	M3	M3A	M4	M4A	M5	M5A	M6	M6A	M7	M8	M9	M10	M11	M11A	M13	M15	M16
B15STP	998	1247	1399	1420	1420	1394	1394	1484	1484	1484	1484	1586	1645	1586	1649	1727	1820	1772	1913	2135
B15DTP	1127	1409	1491	1540	1540	1540	1540	1618	1618	1618	1618	1652	1688	1721	1789	1760	1760	1845	2001	2061
B18DTP	1174	1467	1555	1618	1618	1618	1618	1710	1710	1710	1710	1749	1788	1825	1900	1884	1884	1979	2156	2249
B15STP-BM	1570	1962	2044	2093	2093	2093	2093	2171	2171	2171	2171	2205	2240	2274	2342	2313	2313	2398	2554	2614
B18DTP-BM	1690	2113	2201	2264	2264	2264	2264	2356	2356	2356	2356	2395	2434	2471	2546	2530	2530	2625	2802	2895
FB21DTP-BM	1747	2184	2266	2332	2332	2332	2332	2466	2466	2466	2466	2503	2541	2576	2647	2681	2681	2776	2953	3190

Base Cabinets

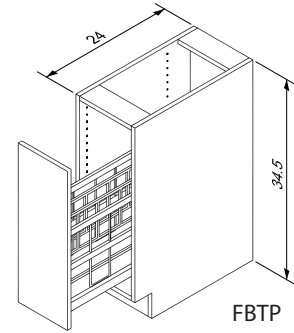
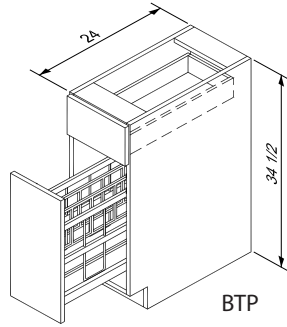
BASE & FULL BASE TRAY PULL-OUT DIVIDERS

MODIFICATION LIMITS

Width No Width Mods
 Height No Height Mods
 Depth 24" – 30" (Applied to cabinet only)

- Divider designed to hold baking sheets, aluminum foil, etc.
- Maple/Natural wood and Stainless dividers
- Remove center divider to store larger items
- Soft-close undermount guides
- Pull-out dimensions: (width depends on cab) 5-1/2" W or 8" W x 19-1/2" H x 22-7/16" D

- Allow clearance adjacent to pull-out for hardware, appliances, mouldings when pull-out is open
- Min. cabinet openings:
 - F/BTP09: 6" W x 20" H x 22.5" D
 - F/BTP12: 9" W x 20" H x 22.5" D
- **Note:** Mid-heights available with FBTPs only



	M0	M1	M2	M3	M3A	M4	M4A	M5	M5A	M6	M6A	M7	M8	M9	M10	M11	M11A	M13	M15	M16
BTP09	1022	1277	1340	1365	1365	1365	1365	1413	1413	1413	1413	1440	1469	1494	1548	1503	1503	1567	1686	1749
BTP12	1266	1582	1654	1691	1691	1691	1691	1754	1754	1754	1754	1784	1816	1847	1908	1862	1862	1935	2071	2134
FBTP09	955	1194	1240	1269	1269	1269	1269	1328	1328	1328	1328	1352	1375	1398	1445	1408	1408	1462	1564	1613
FBTP12	1193	1491	1545	1584	1584	1584	1584	1662	1662	1662	1662	1689	1716	1742	1794	1774	1774	1838	1959	2056

FULL BASE PULL-OUT CONTAINER OR UTENSIL

MODIFICATION LIMITS

Width No Width Mods
 Height No Height Mods
 Depth 24" – 30" (Applied to cabinet only)

- Door mounted pull-out with soft-close undermount guides
- Maple/Natural wood shelves

- Allow clearance adjacent to pull-out for hardware, appliances and mouldings when pull-out is open
- **Not available:** mid-heights

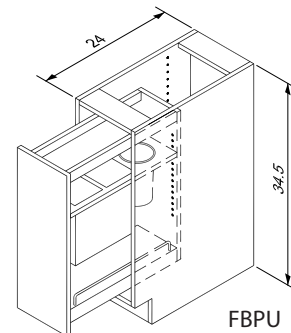
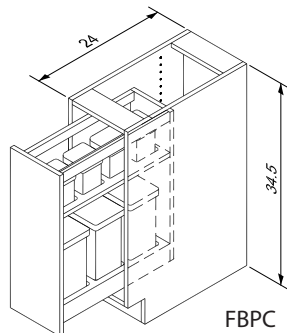
CONTAINER STORAGE (FBPC)

Designed to organize food containers

- Includes a set of small and large OXO Good Grip containers

UTENSIL/KNIFE (FBPU)

- Two universal knife inserts
- Stainless steel utensil bin
- Adjustable shelf for lower storage



	M0	M1	M2	M3	M3A	M4	M4A	M5	M5A	M6	M6A	M7	M8	M9	M10	M11	M11A	M13	M15	M16
FBPC12	2120	2200	2255	2294	2294	2294	2294	2372	2372	2372	2372	2399	2426	2451	2504	2483	2483	2548	2668	2765
FBPU12	1754	1834	1889	1928	1928	1928	1928	2006	2006	2006	2006	2033	2060	2085	2138	2117	2117	2182	2302	2399

Base Cabinets

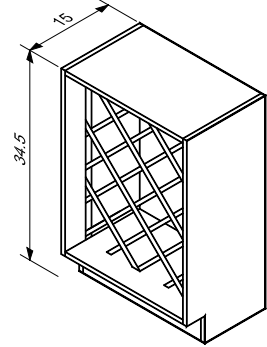
BASE FULL WINE RACK - LATTICE

MODIFICATION LIMITS

Width 15" – 24"
 Height 28-1/2" – 46-1/2"
 Depth 12" – 24"

- Cabinet is 15" D
- Finished interior (FMI)
- Exterior ends not finished
- Lattice is recessed 3-3/4" from face of cabinet to allow for bottleneck overhang (Doesn't change if depth is increased)
- False back installed when depth is increased to 18" or greater

- Wine racks: clear material used when Rustic wood species are ordered
- **Not available in:** Bamboo, Black Walnut, Exotic Wood Veneer, Foil, Greenlam, Sapele and Thermo Structured Surface (TSS)



BFWRL	Approximate Bottle Capacity
BFWRL15	10
BFWRL18	11
BFWRL21	11
BFWRL24	18

	M0	M1	M2	M3	M3A	M4	M4A	M5	M5A	M6	M6A	M7	M8	M9	M10	M11	M11A	M13	M15	M16
BFWRL15	901	1126	1126	1126	1126	1126	1126	1126	1126	1126	1126	1126	1126	1126	1218	1235	1235	1235	1235	1235
BFWRL18	947	1184	1184	1184	1184	1184	1184	1184	1184	1184	1184	1184	1184	1184	1279	1297	1297	1297	1297	1297
BFWRL21	1170	1462	1462	1462	1462	1462	1462	1462	1462	1462	1462	1462	1462	1462	1579	1604	1604	1604	1604	1604
BFWRL24	1193	1491	1491	1491	1491	1491	1491	1491	1491	1491	1491	1491	1491	1491	1611	1635	1635	1635	1635	1635

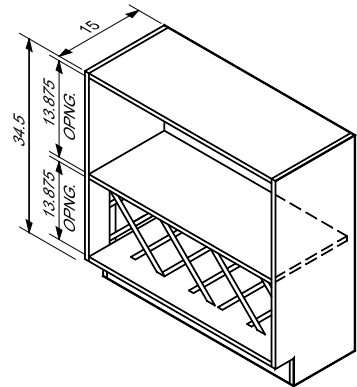
BASE HALF WINE RACK - LATTICE

MODIFICATION LIMITS

Width 24" – 36"
 Height 28-1/2" – 46-1/2"
 Depth 12" – 24"

- See cabinet notes & options above
- When height is modified, top open area increase or decreases incrementally

- **Not available:** Bamboo, Black Walnut, Exotic Wood Veneer, Foil, Greenlam, Sapele and Thermo Structured Surface (TSS)

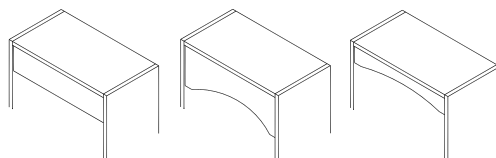


BHWRL	Approximate Bottle Capacity
BHWRL24	5
BHWRL27	6
BHWRL30	7
BHWRL33	8
BHWRL36	9

	M0	M1	M2	M3	M3A	M4	M4A	M5	M5A	M6	M6A	M7	M8	M9	M10	M11	M11A	M13	M15	M16
BHWRL24	950	1187	1187	1187	1187	1187	1187	1187	1187	1187	1187	1187	1187	1187	1282	1303	1303	1303	1303	1303
BHWRL27	996	1245	1245	1245	1245	1245	1245	1245	1245	1245	1245	1245	1245	1245	1345	1365	1365	1365	1365	1365
BHWRL30	1018	1272	1272	1272	1272	1272	1272	1272	1272	1272	1272	1272	1272	1272	1374	1396	1396	1396	1396	1396
BHWRL33	1242	1552	1552	1552	1552	1552	1552	1552	1552	1552	1552	1552	1552	1552	1677	1703	1703	1703	1703	1703
BHWRL36	1263	1579	1579	1579	1579	1579	1579	1579	1579	1579	1579	1579	1579	1579	1706	1733	1733	1733	1733	1733

Optional Top Rail Valances

Available on both BFWRL & BHWRL cabinets
 (See Modification section)



Base Cabinets

BASE FULL WINE RACK - X GRID

MODIFICATION LIMITS

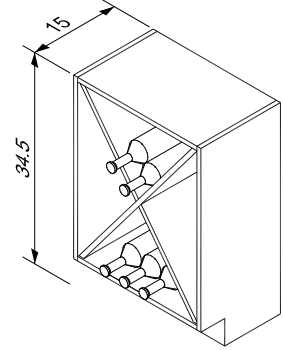
No Modifications

Design Note:

Strata door style - this cabinet will match the vertical stile finish and material only

- Finished interior (FMI)
- X grid shelves are recessed 1/4" from face of cabinet
- Bottle capacity chart (see below) is based on 3" diameter bottles
- **Not available:** Installed top rail valances

BFWRX	MSRP	Approximate Bottle Capacity
BFWRX21	1577	42
BFWRX24	1564	55



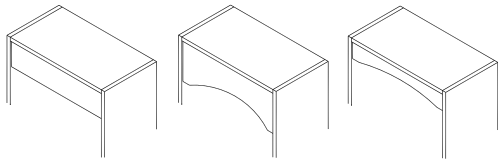
ISLAND BOOKCASE

MODIFICATION LIMITS

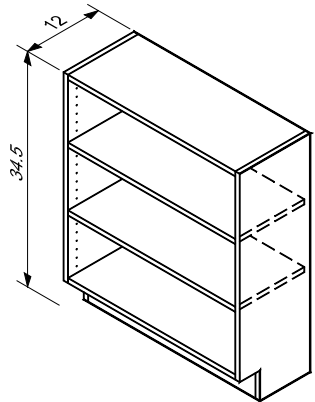
Width 12" – 36"
 Height 28-1/2" – 60"
 Depth 9" – 24"

- Finished interior (FMI)
- Exterior ends not finished
- 3/4" adjustable shelves are edge-banded on front edge
- Clear locking shelf clips are installed and nickel shelf clips are sent loose
- Clear material used when Rustic wood species are ordered
- Apply FTK modification for Flush Toe Kick
- When height is modified, quantity of shelves does not change

Optional Top Rail Valances (See Modification section)



IBC	MSRP
IBC12	563
IBC15	599
IBC18	634
IBC21	668
IBC24	706
IBC27	741
IBC30	777
IBC33	812
IBC36	848



BASE SQUARE CORNER

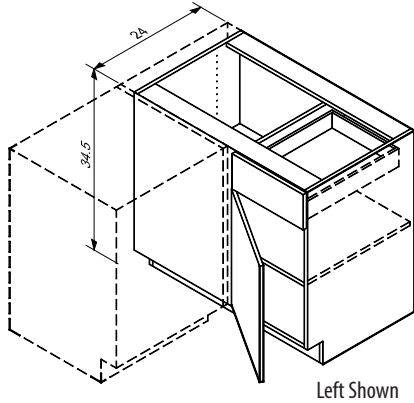
- One 3/4" thick full-depth adjustable shelf
- See chart/diagram on pg B-35 for specifications
- When depth is modified, depth of return does not change

MODIFICATION LIMITS

Width No width mods
 Height 22-1/2" – 46-1/2"
 Depth 12" – 30"

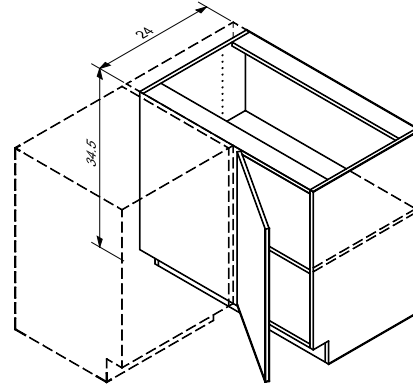
MODIFICATION LIMITS

Width No width mods
 Height 16-1/2" – 46-1/2"
 Depth 12" – 30"



BSC1DR1DWR

BSC36-39*
 BSC39-42*
 BSC42-45*
 BSC45-48*
 BSC48-51*



FBSC1DR

FBSC36-39*
 FBSC39-42*
 FBSC42-45*
 FBSC45-48*
 FBSC48-51*

BASE SQUARE CORNER – HALF-ROUND TRAYS

- Two half-round trays pivot and pull out of cabinet
- Choice of white plastic (HR) or wood (HRW)
- Right or Left determined by side voided
- The void is a finished 3/4" thick panel
- Size and number of trays does not change when cabinet size is modified

MODIFICATION LIMITS

Width No width mods
 Height 22-1/2" – 46-1/2"
 Depth 24" – 30"

MODIFICATION LIMITS

Width No width mods
 Height 16-1/2" – 46-1/2"
 Depth 24" – 30"

BSC1DR1DWRHR

BSC42-45HR*
 BSC45-48HR*
 BSC48-51HR*

BSC1DR1DWRHRW

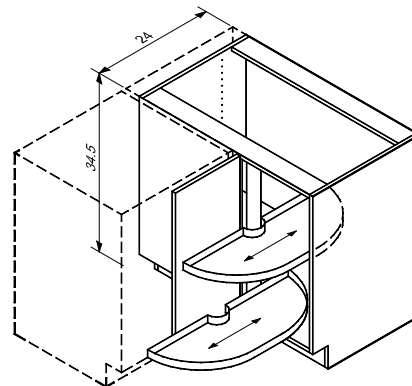
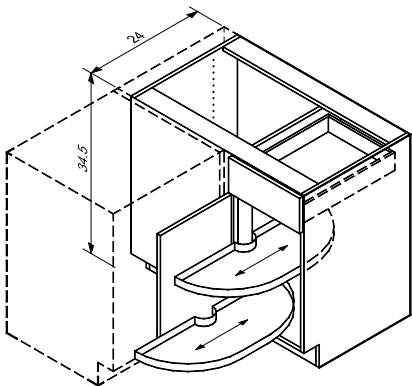
BSC42-45HRW*
 BSC45-48HRW*
 BSC48-51HRW*

FBSC1DRHR

FBSC42-45HR*
 FBSC45-48HR*
 FBSC48-51HR*

FBSC1DRHRW

FBSC42-45HRW*
 FBSC45-48HRW*
 FBSC48-51HRW*



Base Cabinets

* L or R required

	M0	M1	M2	M3	M3A	M4	M4A	M5	M5A	M6	M6A	M7	M8	M9	M10	M11	M11A	M13	M15	M16
BASE SQUARE CORNER																				
BSC36-39*	733	916	989	1026	1026	1026	1026	1087	1087	1087	1087	1140	1192	1243	1343	1197	1197	1314	1531	1428
BSC39-42*	762	953	1035	1084	1084	1084	1084	1160	1160	1160	1160	1216	1272	1328	1435	1303	1303	1430	1665	1603
BSC42-45*	791	989	1079	1141	1141	1141	1141	1233	1233	1233	1233	1292	1353	1411	1525	1408	1408	1545	1801	1777
BSC45-48*	821	1026	1123	1197	1197	1197	1197	1304	1304	1304	1304	1367	1431	1494	1615	1513	1513	1660	1935	1952
BSC48-51*	856	1070	1177	1264	1264	1264	1264	1386	1386	1386	1386	1453	1521	1587	1715	1628	1628	1788	2084	2135

FULL BASE SQUARE CORNER																				
FBSC36-39*	663	829	884	923	923	923	923	1001	1001	1001	1001	1048	1097	1145	1236	1114	1114	1223	1423	1413
FBSC39-42*	688	860	924	972	972	972	972	1068	1068	1068	1068	1119	1172	1223	1321	1214	1214	1333	1552	1589
FBSC42-45*	712	890	963	1019	1019	1019	1019	1135	1135	1135	1135	1189	1245	1299	1404	1316	1316	1445	1684	1766
FBSC45-48*	737	921	1002	1068	1068	1068	1068	1202	1202	1202	1202	1260	1319	1377	1487	1418	1418	1557	1815	1944
FBSC48-51*	761	951	1041	1116	1116	1116	1116	1270	1270	1270	1270	1331	1394	1455	1572	1520	1520	1669	1945	2120

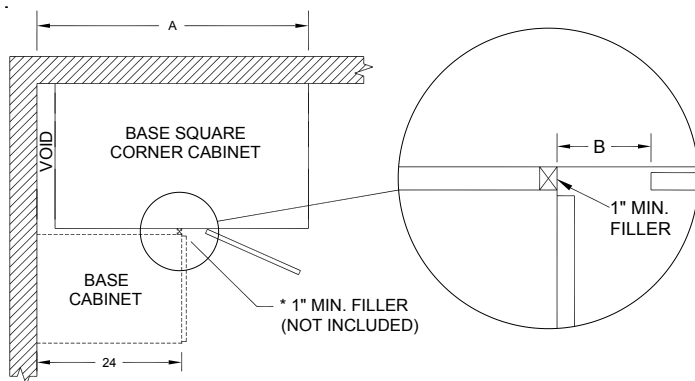
BASE SQUARE CORNER – HALF-ROUND TRAYS - WHITE PLASTIC																				
BSC42-45HR*	1517	1896	1986	2049	2049	2049	2049	2140	2140	2140	2140	2200	2261	2318	2505	2315	2315	2452	2709	2685
BSC45-48HR*	1546	1933	2030	2105	2105	2105	2105	2212	2212	2212	2212	2274	2339	2402	2595	2420	2420	2568	2842	2859
BSC48-51HR*	1582	1978	2084	2171	2171	2171	2171	2293	2293	2293	2293	2361	2429	2495	2695	2536	2536	2695	2992	3043

BASE SQUARE CORNER – HALF-ROUND TRAYS - WOOD																				
BSC42-45HRW*	2250	2812	2902	2965	2965	2965	2965	3056	3056	3056	3056	3116	3177	3234	3421	3231	3231	3368	3624	3631
BSC45-48HRW*	2458	3073	3170	3244	3244	3244	3244	3351	3351	3351	3351	3414	3478	3541	3735	3560	3560	3707	3982	3999
BSC48-51HRW*	2704	3380	3487	3573	3573	3573	3573	3696	3696	3696	3696	3763	3831	3897	4098	3938	3938	4098	4394	4445

FULL BASE SQUARE CORNER – HALF-ROUND TRAYS - WHITE PLASTIC																				
FBSC42-45HR*	1438	1798	1871	1927	1927	1927	1927	2042	2042	2042	2042	2096	2152	2206	2385	2223	2223	2352	2591	2673
FBSC45-48HR*	1462	1828	1910	1976	1976	1976	1976	2110	2110	2110	2110	2167	2227	2285	2468	2325	2325	2464	2722	2851
FBSC48-51HR*	1487	1859	1949	2023	2023	2023	2023	2178	2178	2178	2178	2239	2301	2363	2552	2427	2427	2576	2853	3027

FULL BASE SQUARE CORNER – HALF-ROUND TRAYS - WOOD																				
FBSC42-45HRW*	2171	2714	2787	2842	2842	2842	2842	2958	2958	2958	2958	3012	3068	3122	3300	3139	3139	3268	3507	3589
FBSC45-48HRW*	2374	2968	3049	3116	3116	3116	3116	3250	3250	3250	3250	3307	3367	3424	3607	3465	3465	3604	3862	3991
FBSC48-51HRW*	2609	3261	3351	3426	3426	3426	3426	3580	3580	3580	3580	3641	3704	3765	3955	3830	3830	3979	4255	4430

Base Square Corner Specifications



Max. Recommended pull is 3"

Dimension "A" – Min., max. and void dimensions are based on having a 24" deep cabinet adjacent to square corner cabinet. Chart shows actual cabinet width.

Dimension "B" – Clearance between return cabinet and edge of door or drawer. Does not include depth of door, drawer or hardware on return cabinet.

Cabinet must be pulled so drawer clears adjacent appliance handle or drawer hardware. 1" min. filler is required to allow adjacent cabinet door to clear door on square corner cabinet. A filler equal to hardware depth + 1" must be used to clear door hardware.

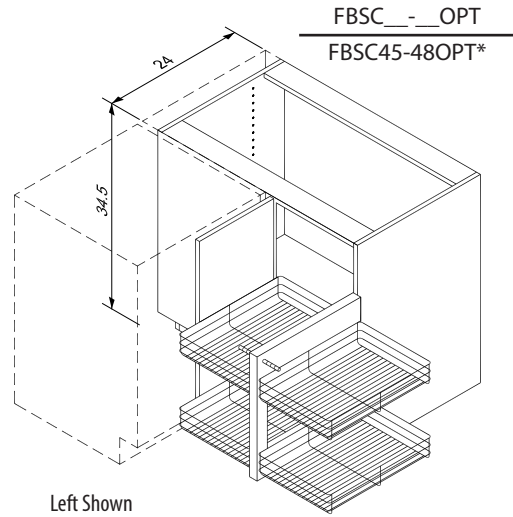
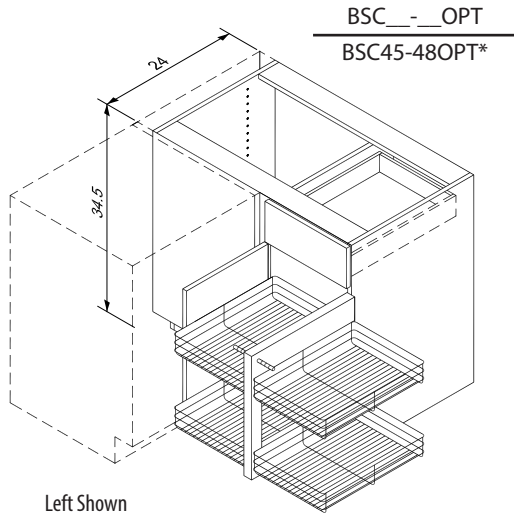
Cabinet	Actual Width	Minimum Space "A"	Void At Minimum	Maximum Space "A"	Void At Maximum	Dimension "B"	Door Width
BSC36-39	36"	36"	0"	39"	3"	1-1/16" @ min. W	10-7/8"
BSC39-42	39"	39"	0"	42"	3"		13-7/8"
BSC42-45	42"	42"	0"	45"	3"		16-7/8"
BSC45-48	45"	45"	0"	48"	3"		19-7/8"
BSC48-51	48"	48"	0"	51"	3"		22-7/8"

BASE SQUARE CORNER - CHROME OPTIMIZER

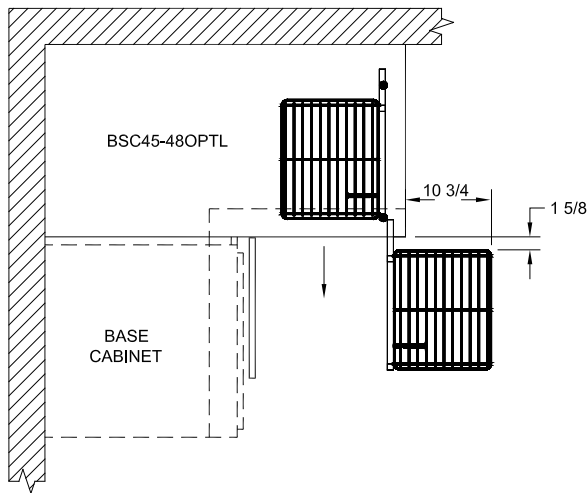
MODIFICATION LIMITS

Width No width mods
 Height No height mods
 Depth 24" - 30"

- Maximizes space in blind corner of cabinet for full accessibility to entire storage unit
- Four baskets with chrome finish
- Heavy-duty frame with ball bearing guides
- Weight rated at 100 lbs. fully extended
- Left or right orientation is determined by blind side
- Verify clearance of min. 1-5/8" on adjacent appliance handle or drawer hardware to allow basket to slide across front of adjacent appliance or cabinet (see drawing below)



Top View



Easy three-step operation

1. Front basket pulls forward
2. Entire unit slides sideways allowing access to back basket
3. Back basket can then move forward

	M0	M1	M2	M3	M3A	M4	M4A	M5	M5A	M6	M6A	M7	M8	M9	M10	M11	M11A	M13	M15	M16
BSC45-48OPT*	2825	3531	3628	3702	3702	3702	3702	3809	3809	3809	3809	3872	3936	3999	4120	4018	4018	4165	4440	4457
FBSC45-48OPT*	2741	3426	3507	3573	3573	3573	3573	3707	3707	3707	3707	3765	3824	3882	3992	3923	3923	4062	4320	4449

* Left or right orientation required

Base Cabinets

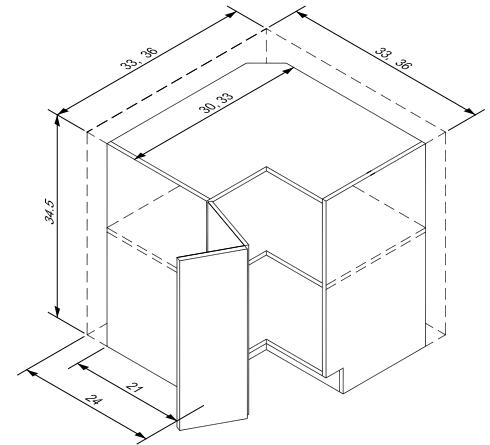
* L or R required

FULL BASE CORNER CABINET

MODIFICATION LIMITS

Width No width mods
 Height 29-1/4" – 46-1/2"
 Depth No depth mods

- 3/4" thick full-depth adjustable shelf
- Bifold-hinged door opens 170° from face of cabinet
- Concealed-IM, Soft Close hinge not available
- Void between back of cabinet and wall is approx. 3"
- **FBCC33:** Doors will be slab when door style is Mitered, Applied Mldg or M&T w/3" stiles



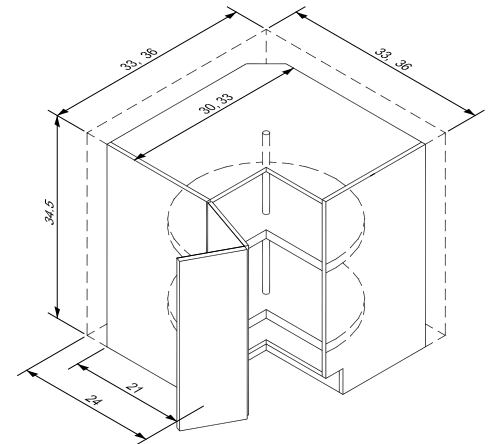
FBCC__	M0	M1	M2	M3	M3A	M4	M4A	M5	M5A	M6	M6A	M7	M8	M9	M10	M11	M11A	M13	M15	M16
FBCC33*	562	702	765	795	795	795	795	856	856	856	856	897	938	979	1058	912	912	1001	1163	1074
FBCC36*	610	763	834	873	873	873	873	955	955	955	955	1001	1046	1092	1180	1043	1043	1143	1330	1272

FULL BASE CORNER – LAZY SUSAN

MODIFICATION LIMITS

No Modifications

- Two white plastic kidney-shaped trays (33LS: 24" diameter | 36LS: 28" diameter)
- Door is double-hinged and opens 170° from face of cabinet
- Concealed-IM, Soft Close hinge not available
- Void between back of cabinet and wall is approximately 3"
- **FBCC33:** Doors will be slab when door style is Mitered, Applied Mldg or M&T w/3" stiles
- **Not available:** mid-height



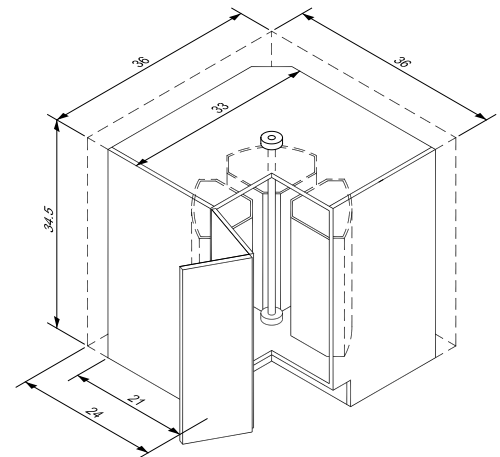
FBCC__LS	M0	M1	M2	M3	M3A	M4	M4A	M5	M5A	M6	M6A	M7	M8	M9	M10	M11	M11A	M13	M15	M16
FBCC33LS*	883	1104	1194	1250	1250	1250	1250	1367	1367	1367	1367	1433	1501	1565	1691	1523	1523	1672	1949	1894
FBCC36LS*	998	1248	1347	1413	1413	1413	1413	1547	1547	1547	1547	1621	1698	1772	1915	1735	1735	1905	2222	2178

FULL BASE CORNER – RECYCLE

MODIFICATION LIMITS

No Modifications

- Three white plastic recycle bins with color-coded labels
- Bifold-hinged door opens 170° from face of cabinet
- Concealed-IM, Soft Close hinge not available
- Void between back of cabinet and wall is approx. 3"



FBCC__RC	M0	M1	M2	M3	M3A	M4	M4A	M5	M5A	M6	M6A	M7	M8	M9	M10	M11	M11A	M13	M15	M16
FBCC36RC*	1086	1357	1428	1467	1467	1467	1467	1548	1548	1548	1548	1594	1640	1686	1822	1637	1637	1737	1923	1866

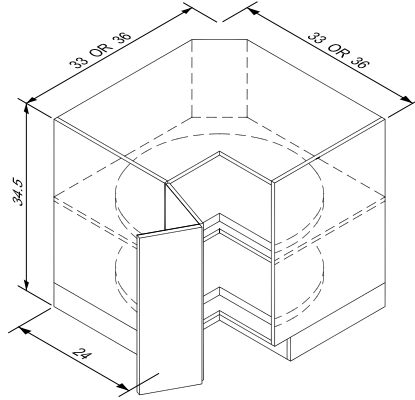
FULL BASE CORNER CABINET SUPER SUSAN

MODIFICATION LIMITS

Width No width mods
 Height 29-1/4" – 46-1/2"
 Depth No depth mods

- Two wood rotating trays are finished Natural and have a 1-1/2" H solid wood edge (33SS: 27-3/4" diameter | 36SS: 30-3/4" diameter)
- Operate independently on 3/4" fixed shelves

- Bifold-hinged door opens 170° from face of cabinet
- Concealed-IM, Soft Close hinge not available
- Cabinet is full base depth
- Toekick sent loose to allow cabinet to fit through a 31" W door opening



FBCC_SS	M0	M1	M2	M3	M3A	M4	M4A	M5	M5A	M6	M6A	M7	M8	M9	M10	M11	M11A	M13	M15	M16
FBCC33SS*	1259	1574	1637	1667	1667	1667	1667	1728	1728	1728	1728	1769	1810	1850	1930	1784	1784	1872	2035	1945
FBCC36SS*	1357	1696	1767	1806	1806	1806	1806	1888	1888	1888	1888	1933	1979	2025	2188	1976	1976	2076	2262	2205

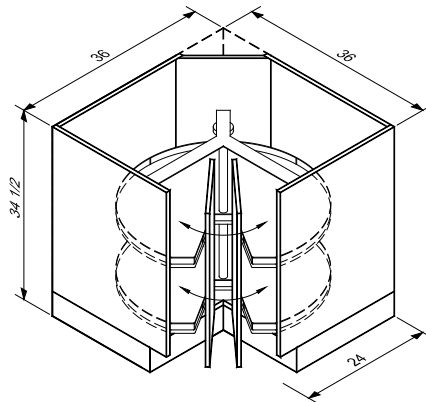
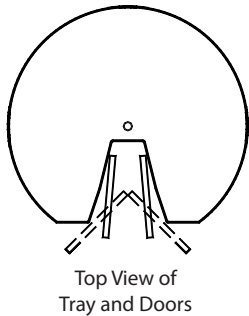
FULL BASE CORNER - SQ

MODIFICATION LIMITS

No Modifications

- Doors attach to pie-shaped lazy susan hardware; collapse inward as they rotate into cabinet, then automatically return to closed position
- Height of doors is same as full-height base cabinet doors
- Doors may be adjusted in any direction

- Available with removable white (W) or natural Maple melamine (M) shelves with non-slip coating on surface and chrome-plated surround
- Cabinet has open top and fixed bottom shelf that extends only to Toekick. (Leaves void between back of doors and front of Toekick when doors are closed)
- Toekick sent loose to allow cabinet to fit through a 31" W door opening



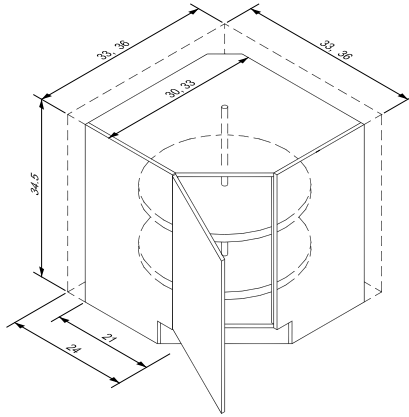
FBCC__SQ_	M0	M1	M2	M3	M3A	M4	M4A	M5	M5A	M6	M6A	M7	M8	M9	M10	M11	M11A	M13	M15	M16
FBCC36SQW	2977	3721	3792	3831	3831	3831	3831	3913	3913	3913	3913	3958	4004	4050	4213	4001	4001	4101	4287	4230
FBCC36SQM	3020	3775	3847	3886	3886	3886	3886	3967	3967	3967	3967	4013	4059	4104	4267	4055	4055	4155	4342	4284

FULL BASE CORNER ANGLE LAZY SUSAN

MODIFICATION LIMITS

No Modifications

- Two round white rotating plastic trays:
(33LS: 24" diameter | 36LS: 28" diameter)
- Void between back of cabinet and wall is approx. 3"



FBCA__LS	M0	M1	M2	M3	M3A	M4	M4A	M5	M5A	M6	M6A	M7	M8	M9	M10	M11	M11A	M13	M15	M16
FBCA33LS*	735	919	982	1007	1007	1007	1007	1055	1055	1055	1055	1106	1157	1208	1304	1131	1131	1241	1445	1294
FBCA36LS*	895	1119	1191	1228	1228	1228	1228	1291	1291	1291	1291	1353	1416	1477	1596	1399	1399	1535	1789	1633

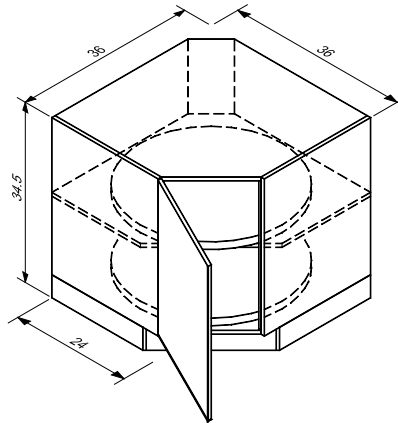
FULL BASE CORNER ANGLE SUPER SUSAN

MODIFICATION LIMITS

Width No width mods
Height 29-1/4" – 46-1/2"
Depth No depth mods

- Two wood Super Susan rotaries with 1-1/2" H solid wood edge
(33SS: 28" diameter | 36SS: 32" diameter)
- Finished Natural

- Operate independently on 3/4" fixed shelves
- Cabinet is full base depth
- Toekick sent loose allowing cabinet to fit through a 31" W door opening



FBCA__SS	M0	M1	M2	M3	M3A	M4	M4A	M5	M5A	M6	M6A	M7	M8	M9	M10	M11	M11A	M13	M15	M16
FBCA33SS*	1214	1518	1581	1606	1606	1606	1606	1654	1654	1654	1654	1691	1728	1764	1835	1728	1728	1810	1961	1888
FBCA36SS*	1242	1552	1623	1660	1660	1660	1660	1723	1723	1723	1723	1766	1808	1849	1998	1832	1832	1927	2103	2061

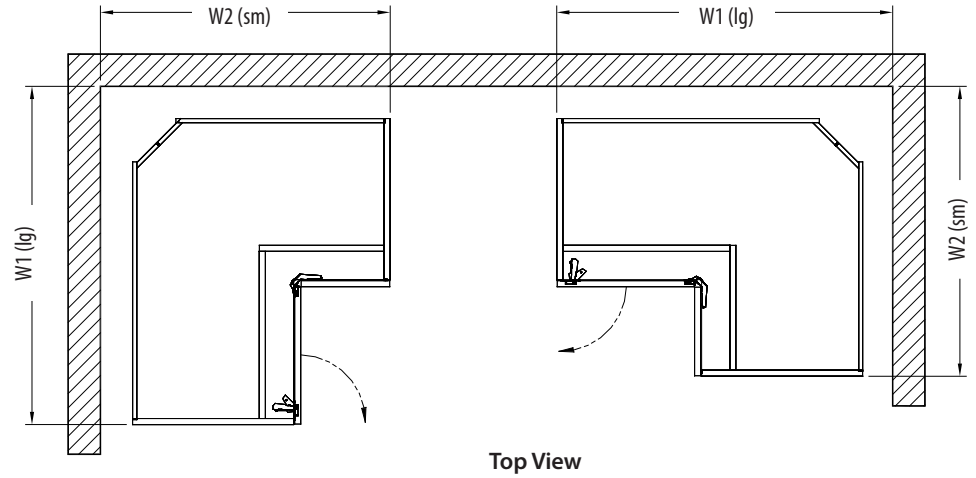
Base Cabinets - Asymmetrical

ASYMMETRICAL CORNER CABINETS - HINGED LEFT

Note: 33" W side of cabinets: Doors will be slab when door style is Mitered, Applied Mldg or M&T with 3" stiles

- Cabinets are hinged on the large door (see top view)
- Bifold-hinged door opens 170° from face of cabinet
- Sum of combined face widths cannot exceed 30"
- Void between back of cabinet and wall is 3"

Cabinet Width	Box Face Width
33"	9"
36"	12"
39"	15"
42"	18"



FULL BASE CORNER CABINET – ASYM – L

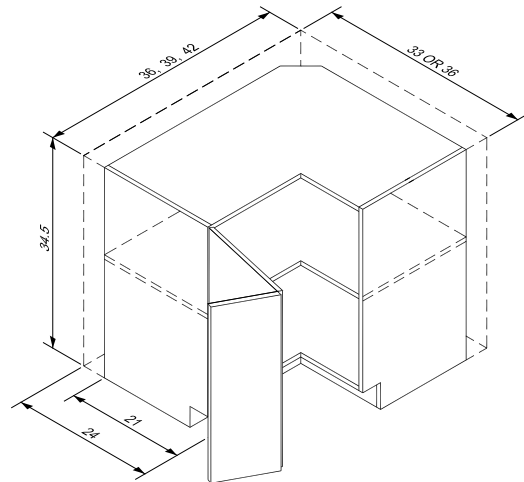
- 3/4" thick full depth fixed mid-shelf

MODIFICATION LIMITS

Width No width mods
 Height 29-1/4" – 46-1/2"
 Depth No depth mods

HOW TO ORDER

Configuration	W1	W2
FBCC	39	33



FBCC	M0	M1	M2	M3	M3A	M4	M4A	M5	M5A	M6	M6A	M7	M8	M9	M10	M11	M11A	M13	M15	M16
FBCC3633	585	731	801	838	838	838	838	916	916	916	916	958	1002	1046	1131	999	999	1096	1274	1219
FBCC3933	610	763	834	873	873	873	873	955	955	955	955	1001	1046	1092	1180	1043	1043	1143	1330	1272
FBCC3936	704	880	955	994	994	994	994	1079	1079	1079	1079	1128	1175	1223	1314	1172	1172	1275	1470	1409
FBCC4233	704	880	955	994	994	994	994	1079	1079	1079	1079	1128	1175	1223	1314	1172	1172	1275	1470	1409
FBCC4236	730	912	989	1031	1031	1031	1031	1119	1119	1119	1119	1169	1218	1269	1364	1214	1214	1323	1525	1464

Base Cabinets - Asymmetrical

FULL BASE CORNER – ASYM – LAZY SUSAN – L

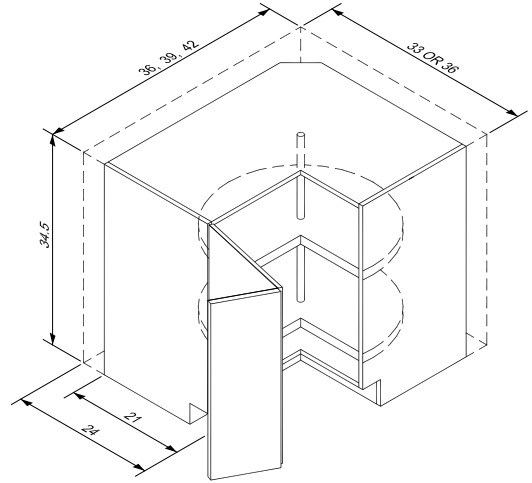
MODIFICATION LIMITS

No Modifications

- Two rotating white plastic kidney shaped trays
- Smallest width of cabinet determines tray size
33"W: 24" dia. | 36"W: 28" dia.

HOW TO ORDER

Configuration	W1	H	
FBCC	39	33	LS



FBCC_LS	M0	M1	M2	M3	M3A	M4	M4A	M5	M5A	M6	M6A	M7	M8	M9	M10	M11	M11A	M13	M15	M16
FBCC3633LS	957	1196	1291	1353	1353	1353	1353	1482	1482	1482	1482	1554	1626	1698	1835	1662	1662	1825	2128	2088
FBCC3933LS	998	1248	1347	1413	1413	1413	1413	1547	1547	1547	1547	1621	1698	1772	1915	1735	1735	1905	2222	2178
FBCC3936LS	1041	1301	1403	1472	1472	1472	1472	1611	1611	1611	1611	1689	1769	1847	1994	1808	1808	1984	2315	2269
FBCC4233LS	1041	1301	1403	1472	1472	1472	1472	1611	1611	1611	1611	1689	1769	1847	1994	1808	1808	1984	2315	2269
FBCC4236LS	1082	1352	1459	1530	1530	1530	1530	1676	1676	1676	1676	1757	1838	1920	2074	1879	1879	2064	2407	2359

FULL BASE CORNER – ASYM – SUPER SUSAN – L

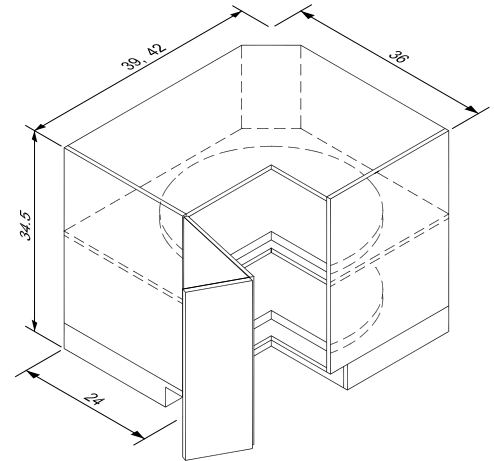
MODIFICATION LIMITS

Width No width mods
Height 29-1/4" – 46-1/2"
Depth No depth mods

- Two wood rotating trays with 1-1/2" tall solid wood edge are finished Natural
- Operate independently on 3/4" fixed shelves
- Toekick sent loose to allow cabinet to fit through a 31" W door opening
- Does not have void, cabinet is full 24" D

HOW TO ORDER

Configuration	W1	H	
FBCC	39	33	SS



FBCC_SS	M0	M1	M2	M3	M3A	M4	M4A	M5	M5A	M6	M6A	M7	M8	M9	M10	M11	M11A	M13	M15	M16
FBCC3936SS	1414	1767	1840	1881	1881	1881	1881	1966	1966	1966	1966	2015	2062	2110	2279	2059	2059	2162	2357	2296
FBCC4236SS	1470	1837	1915	1957	1957	1957	1957	2045	2045	2045	2045	2095	2144	2195	2371	2140	2140	2249	2451	2388

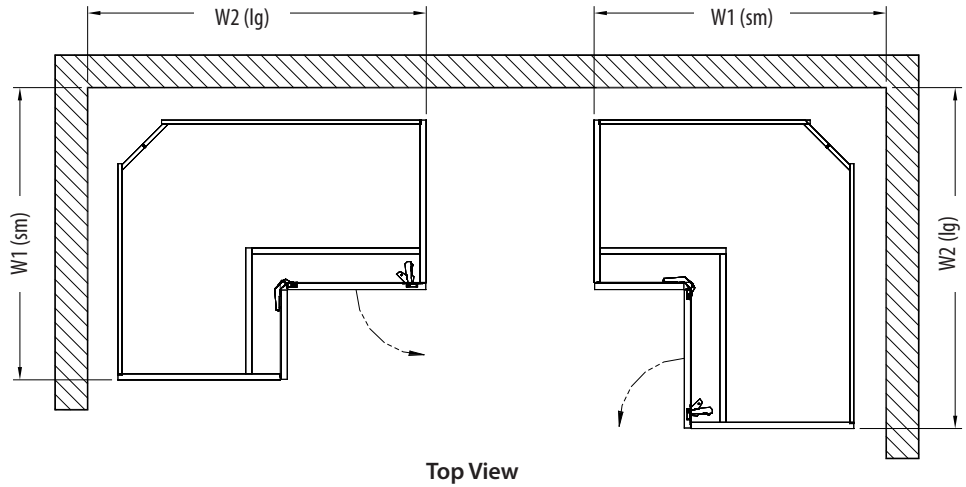
Base Cabinets - Asymmetrical

ASYMMETRICAL CORNER CABINETS - HINGED RIGHT

Note: 33" W side of cabinets: Doors will be slab when door style is Mitered, Applied Mldg or M&T with 3" stiles

- Cabinets are hinged on the large door (see top view)
- Bifold-hinged door opens 170° from face of cabinet
- Sum of combined face widths cannot exceed 30"
- Void between back of cabinet and wall is 3"

Cabinet Width	Box Face Width
33"	9"
36"	12"
39"	15"
42"	18"



FULL BASE CORNER CABINET – ASYM – R

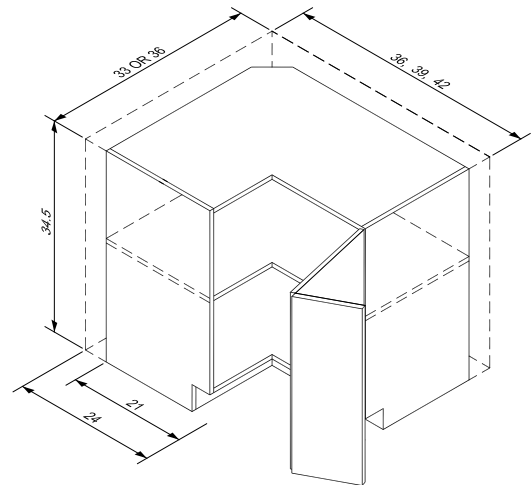
- 3/4" thick full depth fixed mid-shelf

MODIFICATION LIMITS

Width No width mods
 Height 29-1/4" – 46-1/2"
 Depth No depth mods

HOW TO ORDER

Configuration	W1	W2
FBCC	33	39



FBCC	M0	M1	M2	M3	M3A	M4	M4A	M5	M5A	M6	M6A	M7	M8	M9	M10	M11	M11A	M13	M15	M16
FBCC3336	585	731	801	838	838	838	838	916	916	916	916	958	1002	1046	1131	999	999	1096	1274	1219
FBCC3339	610	763	834	873	873	873	873	955	955	955	955	1001	1046	1092	1180	1043	1043	1143	1330	1272
FBCC3639	704	880	955	994	994	994	994	1079	1079	1079	1079	1128	1175	1223	1314	1172	1172	1275	1470	1409
FBCC3342	704	880	955	994	994	994	994	1079	1079	1079	1079	1128	1175	1223	1314	1172	1172	1275	1470	1409
FBCC3642	730	912	989	1031	1031	1031	1031	1119	1119	1119	1119	1169	1218	1269	1364	1214	1214	1323	1525	1464

Base Cabinets - Asymmetrical

FULL BASE CORNER – ASYM – LAZY SUSAN – R

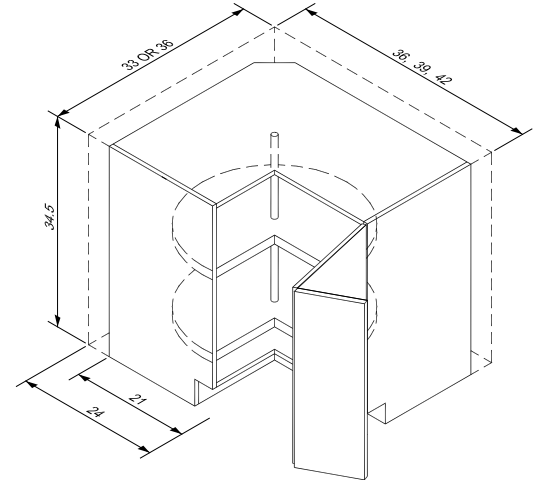
MODIFICATION LIMITS

No Modifications

- Two rotating white plastic kidney shaped trays
- Smallest width of cabinet determines tray size
33"W: 24" dia. | 36"W: 28" dia.

HOW TO ORDER

Configuration	W1	H	
FBCC	33	39	LS



FBCC_LS	M0	M1	M2	M3	M3A	M4	M4A	M5	M5A	M6	M6A	M7	M8	M9	M10	M11	M11A	M13	M15	M16
FBCC3336LS	957	1196	1291	1353	1353	1353	1353	1482	1482	1482	1482	1554	1626	1698	1835	1662	1662	1825	2128	2088
FBCC3339LS	998	1248	1347	1413	1413	1413	1413	1547	1547	1547	1547	1621	1698	1772	1915	1735	1735	1905	2222	2178
FBCC3639LS	1041	1301	1403	1472	1472	1472	1472	1611	1611	1611	1611	1689	1769	1847	1994	1808	1808	1984	2315	2269
FBCC3342LS	1041	1301	1403	1472	1472	1472	1472	1611	1611	1611	1611	1689	1769	1847	1994	1808	1808	1984	2315	2269
FBCC3642LS	1082	1352	1459	1530	1530	1530	1530	1676	1676	1676	1676	1757	1838	1920	2074	1879	1879	2064	2407	2359

FULL BASE CORNER – ASYM – SUPER SUSAN – R

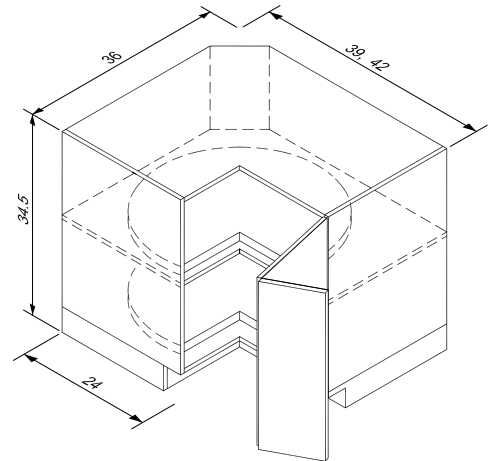
MODIFICATION LIMITS

Width No width mods
Height 29-1/4" – 46-1/2"
Depth No depth mods

- Two wood rotating trays with 1-1/2" tall solid wood edge are finished Natural
- Operate independently on 3/4" fixed shelves
- Toekick sent loose to allow cabinet to fit through a 31" W door opening
- Does not have void, cabinet is full 24" D

HOW TO ORDER

Configuration	W1	H	
FBCC	36	39	SS



FBCC_SS	M0	M1	M2	M3	M3A	M4	M4A	M5	M5A	M6	M6A	M7	M8	M9	M10	M11	M11A	M13	M15	M16
FBCC3639SS	1414	1767	1840	1881	1881	1881	1881	1966	1966	1966	1966	2015	2062	2110	2279	2059	2059	2162	2357	2296
FBCC3642SS	1470	1837	1915	1957	1957	1957	1957	2045	2045	2045	2045	2095	2144	2195	2371	2140	2140	2249	2451	2388

Base Cabinets

FULL BASE OUTSIDE CORNER

Modifications not allowed:

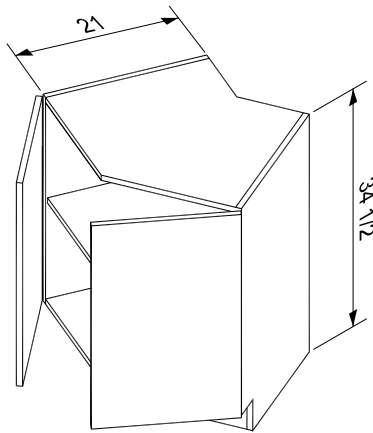
- Roll-outs, Finished Ends, Finished End Doors or Installed Valances

- One 3/4" thick full depth fixed shelf
 - Loose shelf requires an SPR
- Toekick is attached
 - Only FTK and NTK toekick modifications available

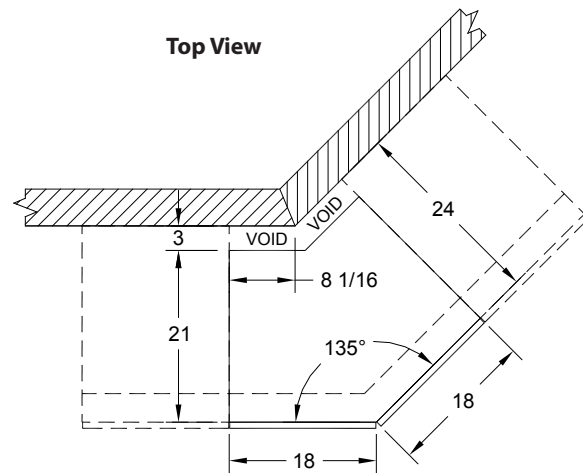
- Void between back of cabinet & wall is approx. 3"

MODIFICATION LIMITS

Width No width mods
 Height 16-1/2" – 46-1/2"
 Depth No depth mods



FBOC__
 FBOC1818X24



	M0	M1	M2	M3	M3A	M4	M4A	M5	M5A	M6	M6A	M7	M8	M9	M10	M11	M11A	M13	M15	M16
FBOC1818X24	1061	1326	1525	1694	1694	1694	1694	1923	1923	1923	1923	1994	2067	2139	2300	2361	2361	2549	2900	3289

Base Cabinets

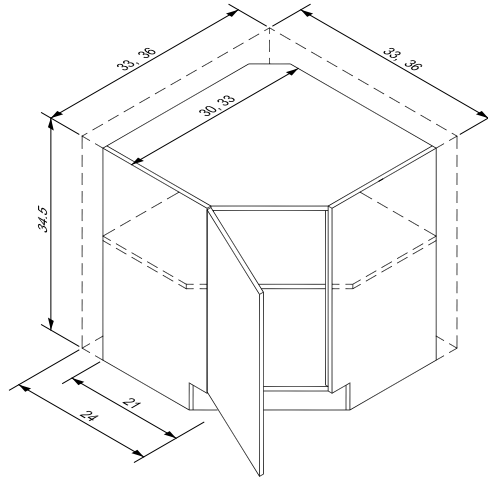
* L or R required

FULL BASE CORNER ANGLE

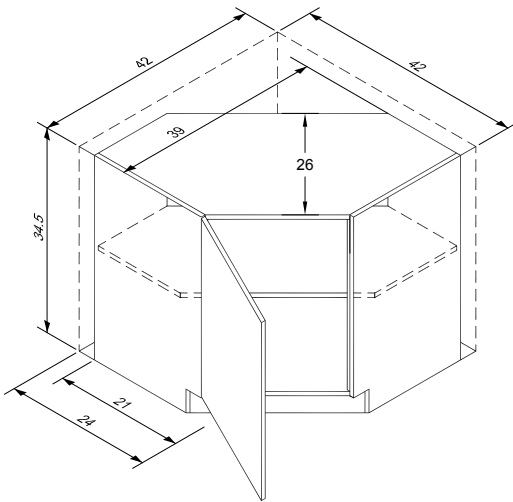
- 3/4" full-depth adjustable shelf in FBCA cabinets
- Void between back of cabinet and wall is approx. 3"

MODIFICATION LIMITS

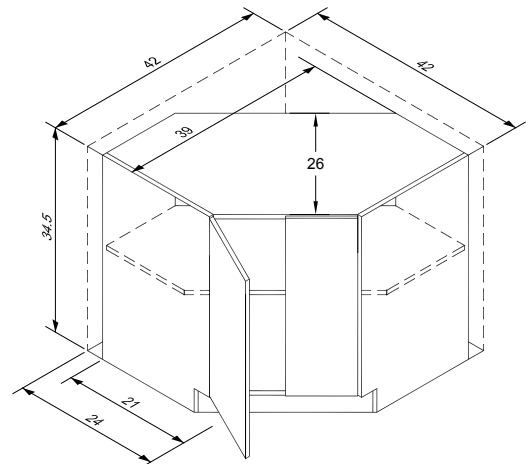
Width No width mods
 Height 29-1/4" – 46-1/2"
 Depth No depth mods



FBCA
 FBCA33*
 FBCA36*



FBCA42*
 FBCA42*



FBCA42DD
 FBCA42DD

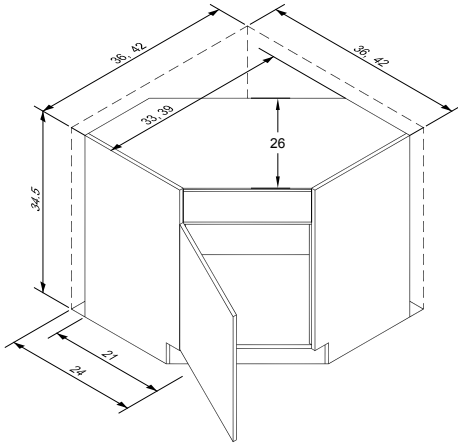
	M0	M1	M2	M3	M3A	M4	M4A	M5	M5A	M6	M6A	M7	M8	M9	M10	M11	M11A	M13	M15	M16
FBCA33*	514	643	706	731	731	731	731	778	778	778	778	816	853	889	960	853	853	934	1085	1013
FBCA36*	563	704	775	812	812	812	812	875	875	875	875	918	960	1001	1082	984	984	1079	1255	1213
FBCA42*	682	853	980	1031	1031	1031	1031	1126	1126	1126	1126	1180	1235	1289	1392	1279	1279	1403	1633	1596
FBCA42DD	714	892	1038	1084	1084	1084	1084	1209	1209	1209	1209	1267	1325	1384	1496	1340	1340	1414	1649	1633

BASE & FULL BASE SINK ANGLE

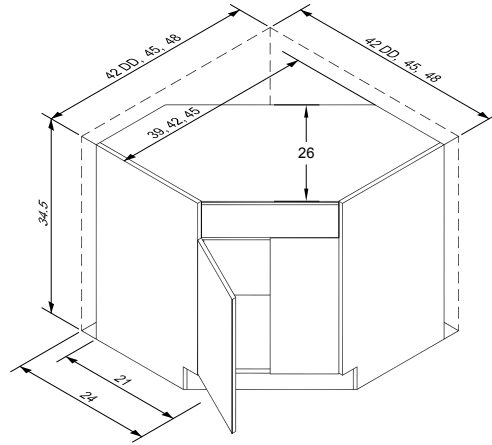
MODIFICATION LIMITS

Width No width mods
 Height 29-1/4" – 46-1/2"
 Depth No depth mods

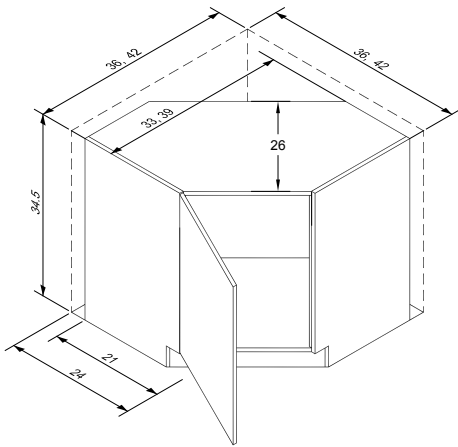
- No adjustable shelves
- Full 1/2" thick back construction
- Void between back of cabinet and wall is approximately 3"



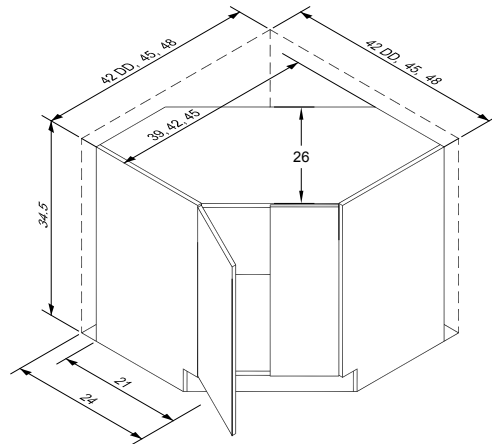
BSA
 BSA36*
 BSA42*



BSA
 BSA42DD
 BSA45
 BSA48



FBSA
 FBSA36*
 FBSA42*



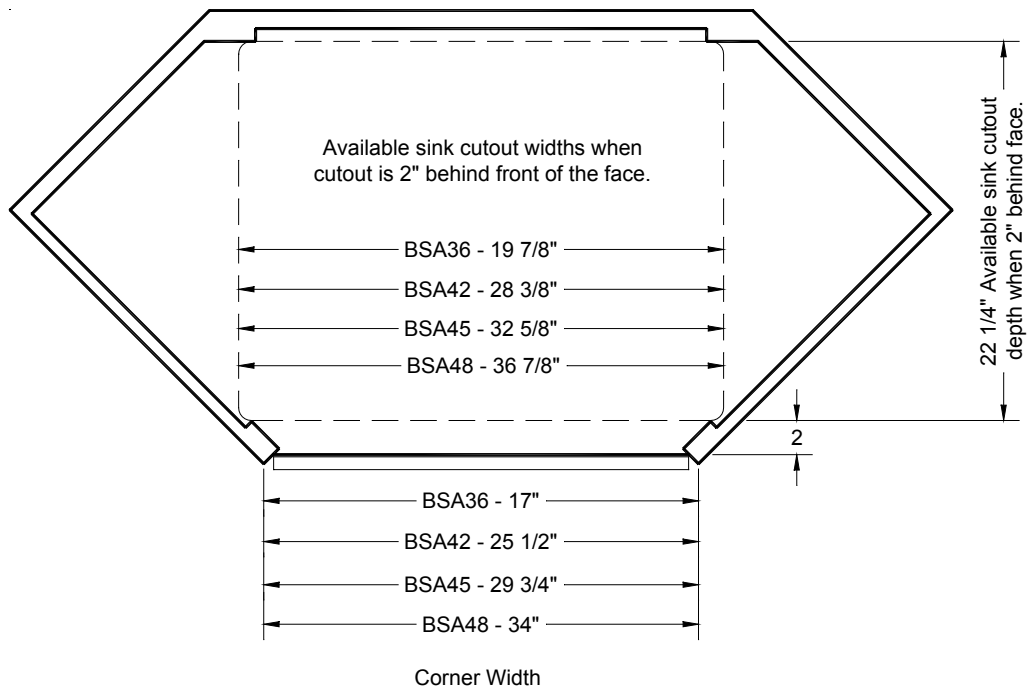
FBSA
 FBSA42DD
 FBSA45
 FBSA48

Base Cabinets

* L or R required

	M0	M1	M2	M3	M3A	M4	M4A	M5	M5A	M6	M6A	M7	M8	M9	M10	M11	M11A	M13	M15	M16
BASE SINK ANGLE																				
BSA36*	610	763	862	950	950	950	950	1116	1116	1116	1116	1170	1225	1277	1381	1401	1401	1141	1328	1981
BSA42*	704	880	1031	1150	1150	1150	1150	1214	1214	1214	1214	1274	1333	1391	1503	1499	1499	1647	1920	2113
BSA42DD	738	923	1091	1211	1211	1211	1211	1296	1296	1296	1296	1358	1421	1484	1603	1559	1559	1655	1930	2164
BSA45	805	1006	1179	1314	1314	1314	1314	1387	1387	1387	1387	1455	1523	1589	1718	1713	1713	1883	2195	2415
BSA48	905	1131	1326	1479	1479	1479	1479	1562	1562	1562	1562	1638	1715	1788	1932	1928	1928	2117	2468	2717
FULL BASE SINK ANGLE																				
FBSA36*	586	733	831	906	906	906	906	1011	1011	1011	1011	1060	1109	1157	1250	1221	1221	1340	1560	1655
FBSA42*	686	858	992	1094	1094	1094	1094	1233	1233	1233	1233	1292	1353	1411	1525	1487	1487	1633	1903	2035
FBSA42DD	718	897	1050	1146	1146	1146	1146	1316	1316	1316	1316	1381	1443	1508	1630	1548	1548	1645	1918	2073
FBSA45	784	980	1135	1250	1250	1250	1250	1409	1409	1409	1409	1477	1547	1613	1742	1699	1699	1867	2174	2325
FBSA48	883	1104	1275	1406	1406	1406	1406	1586	1586	1586	1586	1662	1740	1815	1961	1913	1913	2100	2447	2617

Sink Angle Cutout Specifications



Base Cabinets

* L or R required

** LL, LR, RR, or RL required

FULL BASE END ANGLE

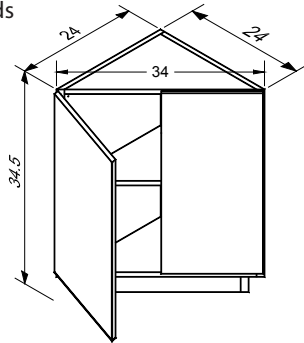
MODIFICATION LIMITS

Width No width mods
 Height 16 1/2" – 46 1/2"
 Depth No depth mods

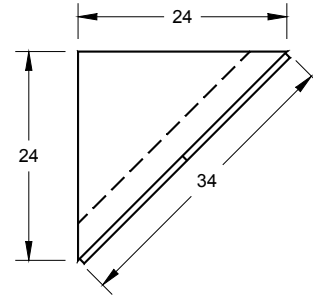
- One 3/4" thick, fixed, full-depth shelf
- Door opens 103° from face of cabinet
- 45° angle between back or side and cabinet face

- Reveal at outside of doors is 9/16"

FBEA24
 FBEA24



Top View



FULL BASE END CABINET

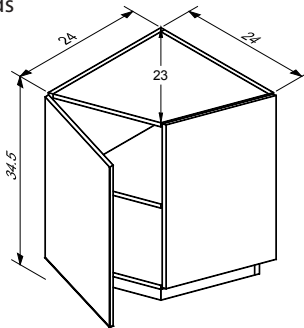
MODIFICATION LIMITS

Width No width mods
 Height 16 1/2" – 46 1/2"
 Depth No depth mods

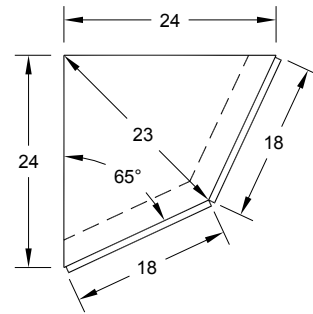
- One 3/4" thick, fixed, full-depth shelf
- Door opens 125° from face of cabinet
- 65° angle between back or side and cabinet face

- Reveal at outside of doors is 7/32"

FBEC24
 FBEC24



Top View



FULL BASE ANGLE BACK

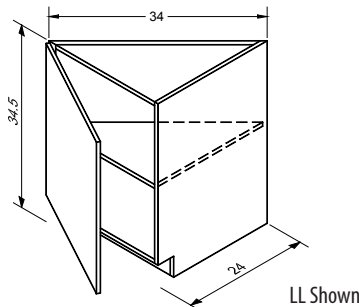
MODIFICATION LIMITS

Width No width mods
 Height 16 1/2" – 46 1/2"
 Depth No depth mods

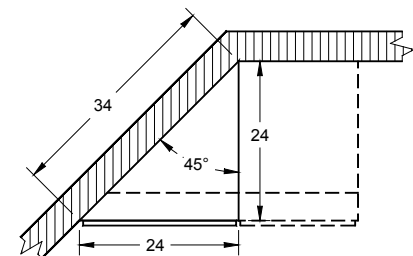
- One 3/4" thick, adjustable, full-depth shelf
- 1st hinge callout designates side with angled back and 2nd callout is side door is hinged (See top views on next page)

- Reveals at outside of doors: 9/16" on 45° side | 1/16" on 90° side

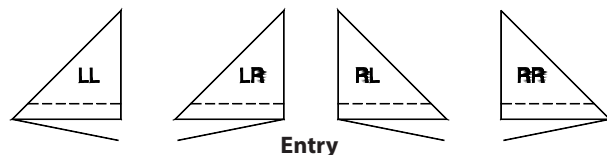
FBAB24
 FBAB24**



Top View



BAB Orientation & Hinging



Base Cabinets

* L or R required
 ** LL, LR, RR, or RL required

	M0	M1	M2	M3	M3A	M4	M4A	M5	M5A	M6	M6A	M7	M8	M9	M10	M11	M11A	M13	M15	M16	
FULL BASE END ANGLE (2-DR)																					
FBEA24	745	931	1085	1216	1216	1216	1216	1391	1391	1391	1391	1447	1503	1557	1682	1728	1728	1872	2142	2442	
	M0	M1	M2	M3	M3A	M4	M4A	M5	M5A	M6	M6A	M7	M8	M9	M10	M11	M11A	M13	M15	M16	
FULL BASE END CABINET (2-DR)																					
FBEC24	959	1199	1398	1567	1567	1567	1567	1796	1796	1796	1796	1867	1940	2011	2173	2234	2234	2422	2773	3161	
	M0	M1	M2	M3	M3A	M4	M4A	M5	M5A	M6	M6A	M7	M8	M9	M10	M11	M11A	M13	M15	M16	
FULL BASE ANGLE BACK (1-DR)																					
FBAB24**	832	1040	1179	1218	1218	1201	1201	1347	1347	1347	1347	1438	1491	1462	1535	1591	1677	1667	1833	2044	

BASE END SHELF

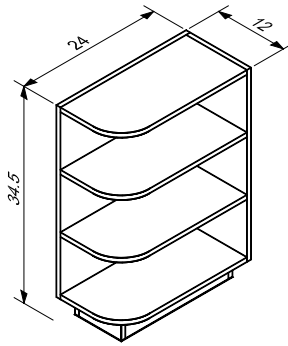
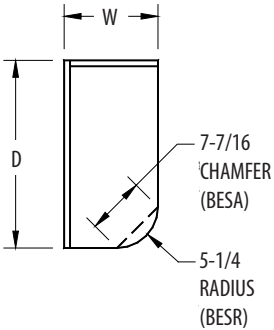
MODIFICATION LIMITS

Width 6" – 12"
 Height 29-1/4" – 46-1/2"
 Depth 12" – 30"

- 3/4" veneered edge-taped material is finished to match doors on adjoining cabinets
- When height is modified the number of shelves increases or decreases accordingly
- Clearance between shelves ranges from a

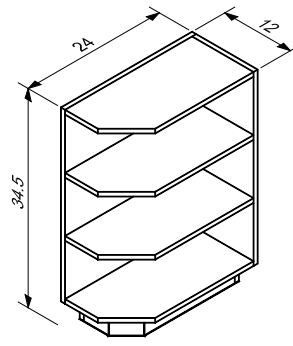
- minimum of 8" to a maximum of 12"
- Clear material is used when Rustic wood species are ordered
- Right or Left determined by side of cabinet end shelf is to be applied to

Top View – Base End Shelf



ROUND END SHELF
Right Shown

BESR	MSRP
BESR12*	573



ANGLE END SHELF
Right Shown

BESA	MSRP
BESA12*	573

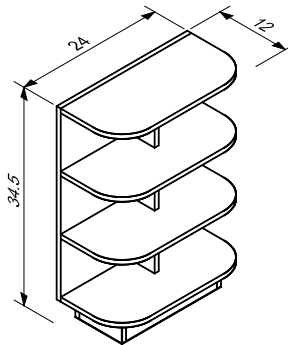
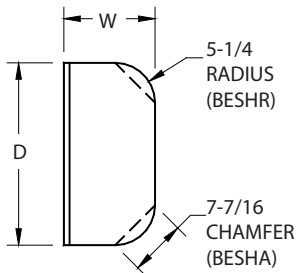
BASE END SHELF HALF

MODIFICATION LIMITS

Width 6" – 12"
 Height 29-1/4" – 46-1/2"
 Depth 12" – 30"

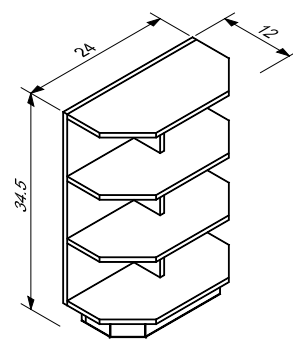
- See above

Top View – Base End Shelf Half



HALF ROUND END SHELF
Reversible

BESHR	MSRP
BESHR12	573



HALF ANGLE END SHELF
Reversible

BESHA	MSRP
BESHA12	573

Base Cabinets

BASE ISLAND END

HOW TO ORDER

Style	# of Legs	"_"	*Width
BIE	2	-	20-1/2"

*Specify width in 1/4" increments
see modification limits for available sizes

- Designed to be applied to flush finished end of base height cabinets
- Cabinet may have standard or flush toekicks
- Reversible for left or right end cabinet application
- 3" tall upper valance

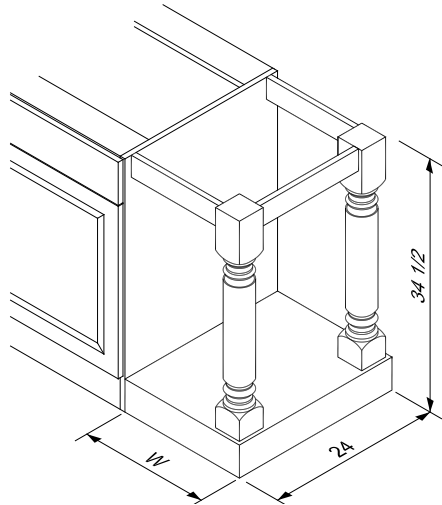
- 3-3/4" x 3-3/4" roman classic style legs
- 4-1/2" tall lower base
- Species available: Alder, Cherry, Maple and Red Oak only
- Ships assembled

MODIFICATION LIMITS

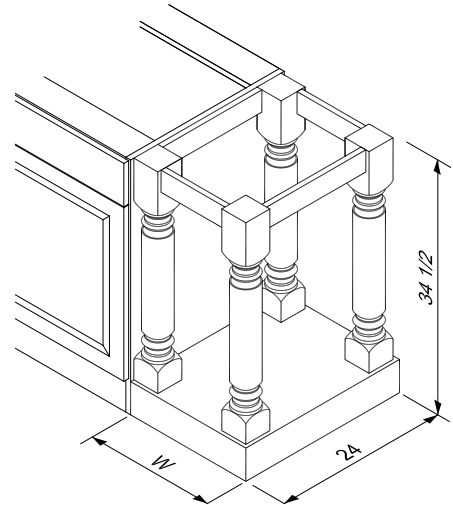
Width 15" - 24"
Height No Height Mods
Depth 24" - 36"

MODIFICATION LIMITS

Width 18" - 24"
Height No Height Mods
Depth 24" - 36"



BIE2 MSRP
BIE2 (width) 2045



BIE4 MSRP
BIE4 (width) 3175

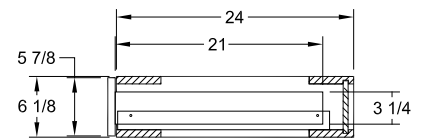
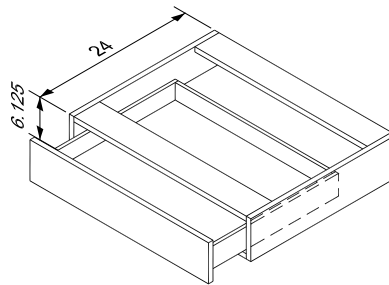
BASE DESK DRAWER CABINET

MODIFICATION LIMITS

Width 12" - 36"
Height No Modifications
Depth 12" - 24"

- Top of drawer front aligns with top of 5-7/8" H drawer front of adjacent Base or Vanity cabinets

- Drawer opening is 4-7/8" H
- Ends not finished

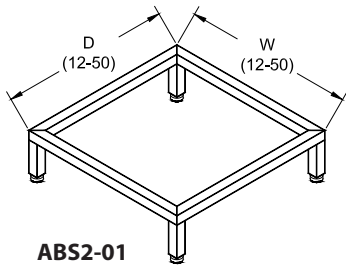


BDDC1DWR	M0	M1	M2	M3	M3A	M4	M4A	M5	M5A	M6	M6A	M7	M8	M9	M10	M11	M11A	M13	M15	M16
BDDC18	386	482	527	527	565	565	565	565	565	565	565	565	565	565	605	639	639	753	639	753
BDDC21	395	494	541	585	585	585	585	585	585	585	585	585	585	585	626	667	667	790	667	790
BDDC24	406	507	556	604	604	604	604	604	604	604	604	604	604	604	646	690	690	829	690	829
BDDC27	415	519	572	624	624	624	624	624	624	624	624	624	624	624	668	716	716	867	716	867
BDDC30	425	531	585	644	644	644	644	661	644	644	644	644	644	644	690	743	743	904	743	904
BDDC33	437	546	600	661	661	661	661	661	661	661	661	661	661	661	507	767	767	941	767	941
BDDC36	446	558	614	682	682	682	682	682	682	682	682	682	682	682	731	792	792	980	792	980

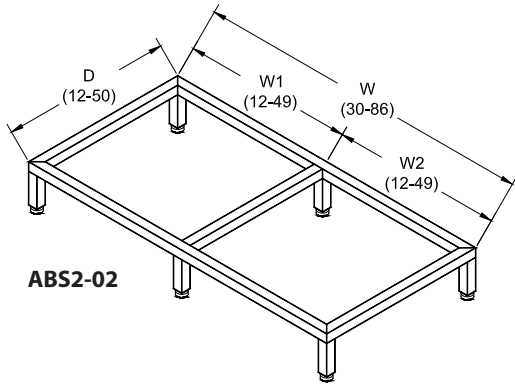
Base Cabinets

ALUMINUM BASE STRUCTURES - SINGLE LEVEL

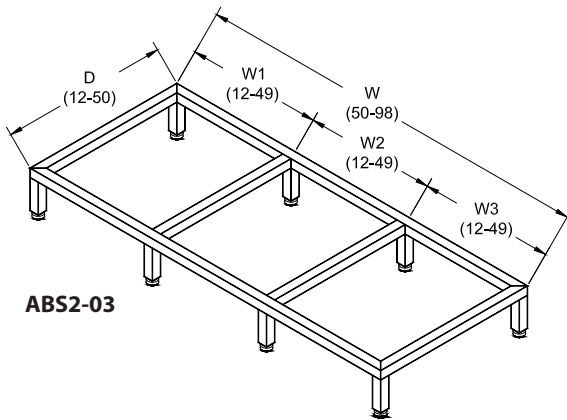
- 2" square aluminum extrusions with interior connectors to draw parts together
- Available in Natural Aluminum (N) and Stainless Steel (S) finishes
- Pre-assembled structures are made 1/4" shorter than overall ordered height (Feet adjust up to 1" to ordered height for floors that are slightly uneven)
- Order in 1/4" increments within ranges listed for each model
- Pricing is calculated by model type and overall width range for each configuration
- Interior dimension lines for models shown below are to center line of extrusion (these dimensions shown as: H1, H2, H3, W1, W2 or W3)



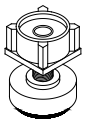
ABS2-01



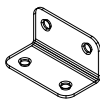
ABS2-02



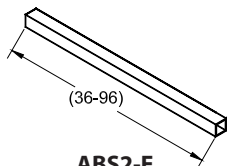
ABS2-03



ABS2-F



L-BRKT4



ABS2-E

Loose Items		MSRP
ABS2-E	36" - 96"	59/LF
ABS2-F	Individual	127/ea
L-BRKT4	Pkg of 4	51/pkg

ABS2-01		
Height	6" - 14"	
Depth	12" - 50"	MSRP
Width	12" - 24"	1969
	>24" - 36"	2985
	>36" - 50"	3278

ABS2-02		
Height	6" - 14"	
Depth	12" - 50"	MSRP
Width	30" - 48"	4293
	>48" - 60"	4544
	>60" - 86"	5091

ABS2-03		
Height	6" - 14"	
Depth	12" - 50"	MSRP
Width	50" - 66"	5726
	>66" - 72"	5851
	>72" - 98"	6399

HOW TO ORDER					Intermediate sizes	
Model	Height	Depth	Width	Finish	H1 & H2	W1 - W3
ABS2-02	14 (overall)	30	60 (overall)	S	N/A	W1=24 W2=36

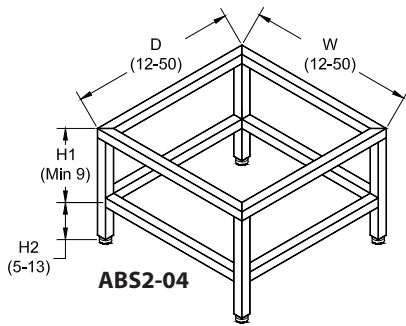
*Specify in 1/4" increments

Dimension totals must fall within overall limits listed with each model
Specify intermediate dimensions as required (H1, H2, H3, W1, W2, W3)

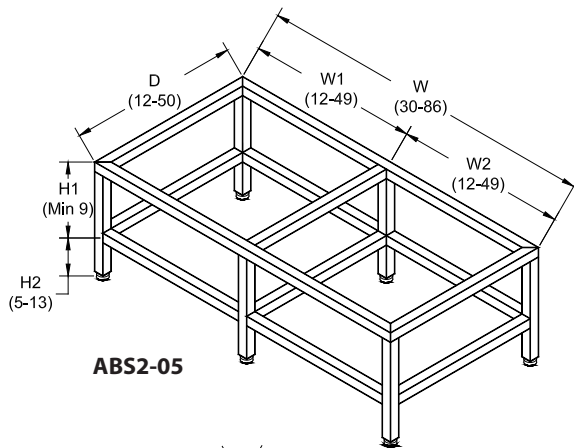
Base Cabinets

ALUMINUM BASE STRUCTURES - MULTI LEVELS

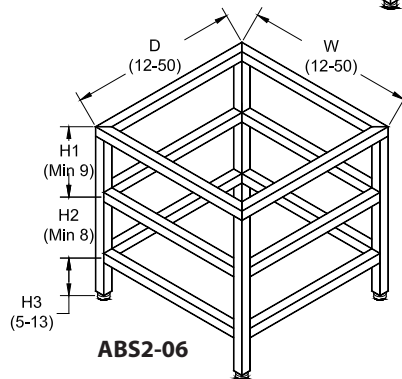
- Specifications on previous page
- Interior dimension lines for models shown below are to center line of extrusion (these dimensions shown as: H1, H2, H3, W1, W2 or W3)



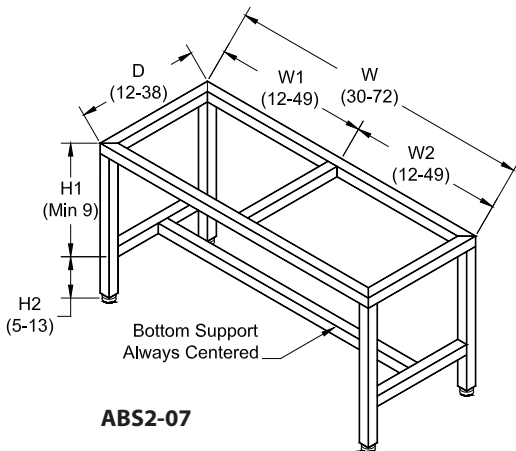
ABS2-04		
Height	14" - 48"	
Depth	12" - 50"	MSRP
Width	12" - 24"	6070
	>24" - 36"	6575
	>36" - 50"	7164



ABS2-05		
Height	14" - 48"	
Depth	12" - 50"	MSRP
Width	30" - 48"	9375
	>48" - 60"	9879
	>60" - 86"	10973



ABS2-06		
Height	22" - 48"	
Depth	12" - 50"	MSRP
Width	12" - 24"	7980
	>24" - 36"	8736
	>36" - 50"	9620



ABS2-07		
Height	14" - 48"	
Depth	12" - 38"	MSRP
Width	30" - 36"	6301
	>36" - 51"	6774
	>51" - 72"	7435

HOW TO ORDER					Intermediate sizes	
Model	Height	Depth	Width	Finish	H1 & H2	W1 & W2
ABS2-05	14 (overall)	30	60 (overall)	S	H1=9 H2=5	W1=24 W2=36

*Specify in 1/4" increments

Dimension totals must fall within overall limits listed with each model.

Specify intermediate dimensions as required (H1, H2, H3, W1, W2, W3)

Base Cabinets

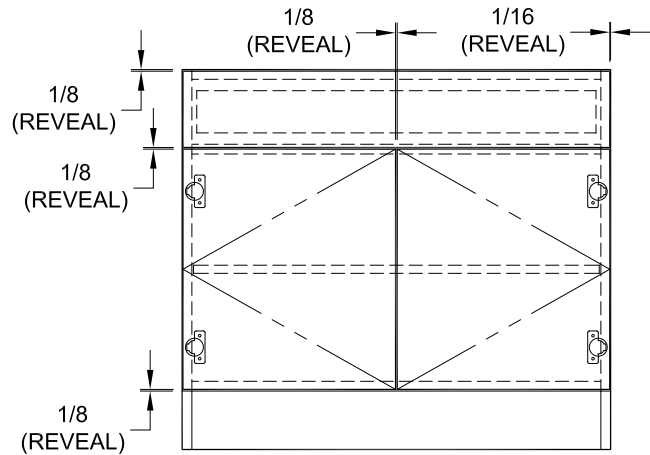
<< Intentionally Blank >>

Vanity Cabinets

Typical Vanity, Vanity Mid & Vanity Grand Configuration

Note:

- Cabinets wider than 36" have a 3" wide center mullion that is compatible with door color
- Adjustable shelf depth is reduced 3/4" to accommodate center mullions
- When necessary, back of center mullion is drilled for shelf clips
- Height of cabinet determines quantity of adjustable shelves



Standard door & drawer front sizes

Width		
Cabinet Width	Drawer Front Width	Door Width
9"	8-7/8"	8-7/8"
12"	11-7/8"	11-7/8"
15"	14-7/8"	14-7/8"
18"	17-7/8"	17-7/8"
21"	20-7/8"	20-7/8"
24"	23-7/8"	23-7/8"
24" DD	23-7/8"	(2) 11-7/8"
27"	26-7/8"	(2) 13-3/8"
30"	29-7/8"	(2) 14-7/8"
33"	32-7/8"	(2) 16-3/8"
36"	35-7/8"	(2) 17-7/8"
39"	(2) 19-3/8"	(2) 19-3/8"
42"	(2) 20-7/8"	(2) 20-7/8"
45"	(2) 23-3/8"	(2) 22-3/8"
48"	(2) 23-7/8"	(2) 23-7/8"

Vanity 29-1/4" H		
Cabinet Type	Door Height	Drawer Front Height
FV	24-1/2"	-
V	18-1/2"	5-7/8"
V2D	-	(2) 12-3/16"
V3D	-	5-7/8" (2) 9-3/16"
DDC	-	5-1/8"

Vanity Mid 31-1/2" H		
Cabinet Type	Door Height	Drawer Front Height
FVM	26-3/4"	-
VM	20-3/4"	5-7/8"
VM2D	-	(2) 13-5/16"
VM3D	-	5-7/8" (2) 10-5/16"
VM4D	-	(2) 5-7/8" (2) 7-5/16"

Vanity Grand 34-1/2" H		
Cabinet Type	Door Height	Drawer Front Height
FVG	29-3/4"	-
VG	23-3/4"	5-7/8"
VG2D	-	(2) 14-13/16"
VG3D	-	5-7/8" (2) 11-13/16"
VG4D	-	(2) 5-7/8" (2) 8-13/16"

Door & Drawer Front configuration	
Width rules for Doors and/or Fronts	Width Formulas
9" - 24" W = 1 door 9" - 36" W = 1 drawer	Cabinet width - 1/8" = size
24" DD - 36" W = 2 doors 36-1/4" - 48" W = 2 drs, 2wrs fixed center mullion	(Cabinet width - 1/4") ÷ 2 = size

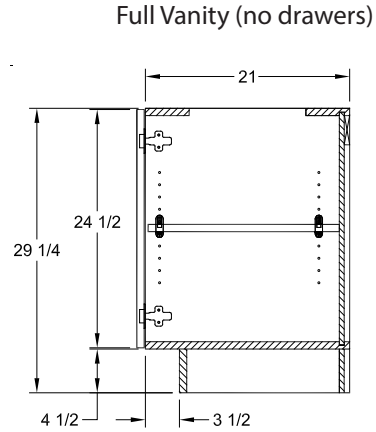
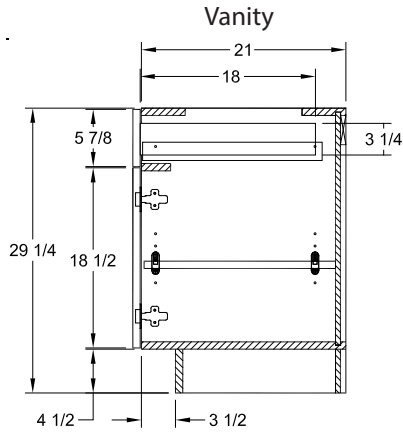
Vanity Cabinets

Vanity Cross Sections

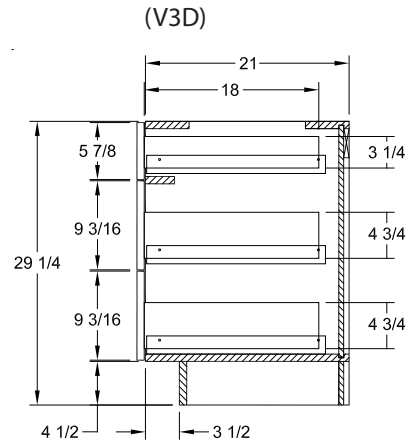
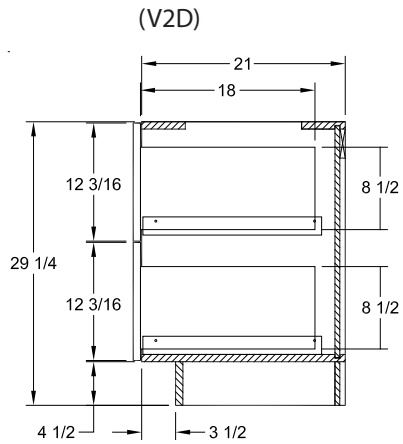
Find door & drawer front heights, widths and reveals on pg V-1

Cross sections feature drawer heights of hardwood drawers (HWDWR). Drawer heights of solid wood drawers (SWD) may vary slightly. Drawer front heights and openings are not affected.

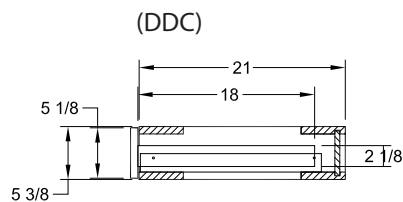
Vanity (V_) and Full Vanity (FV_)



Vanity Drawer Cabinets (V_D)



Desk Drawer Cabinet (DDC)



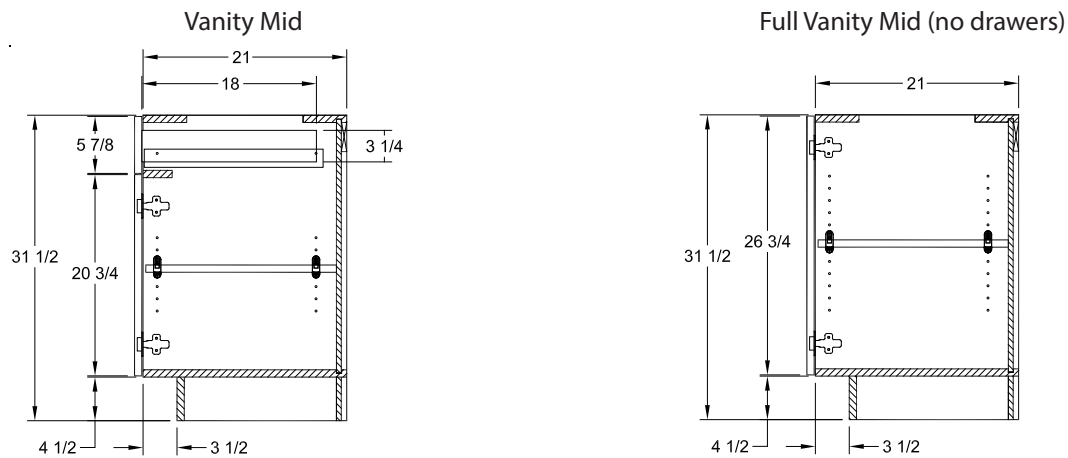
Vanity Cabinets

Vanity Mid Cross Sections

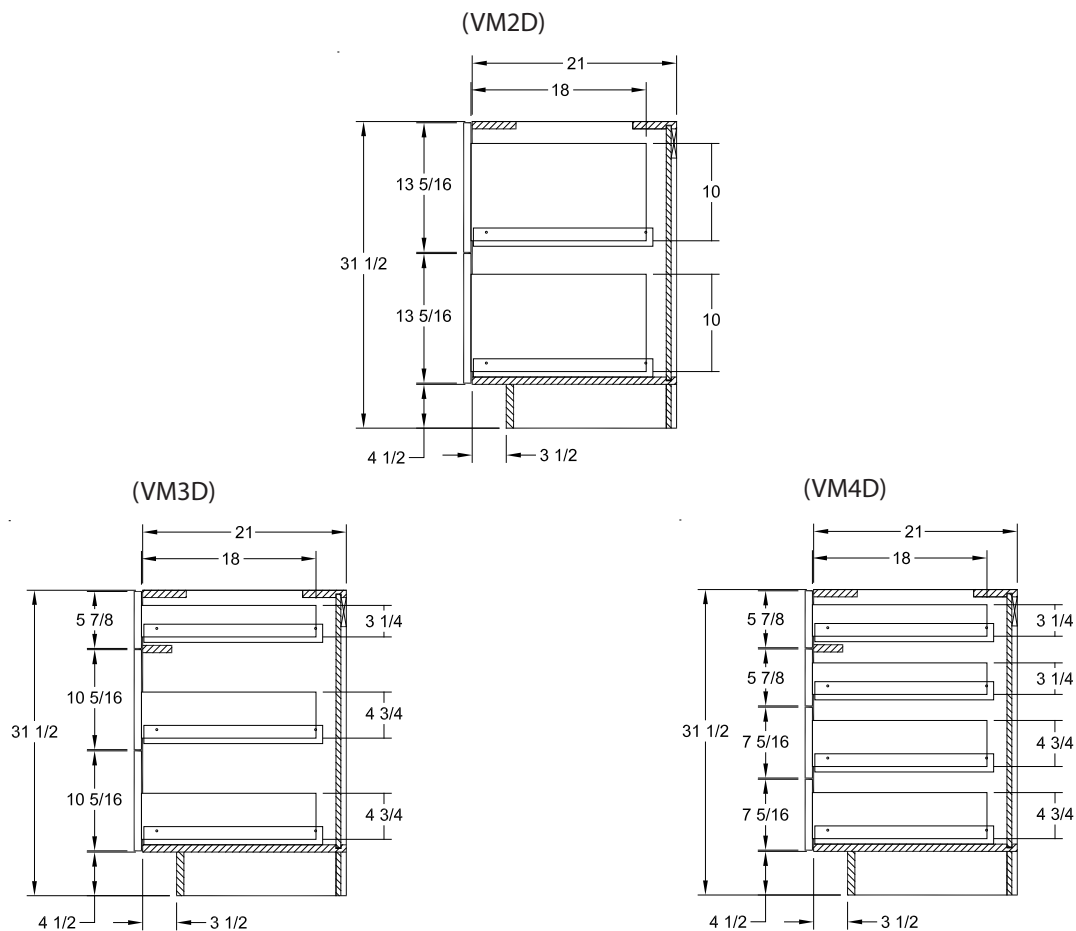
Find door & drawer front heights, widths and reveals on pg V-1

Cross sections feature drawer heights of hardwood drawers (HWDWR). Drawer heights of solid wood drawers (SWD) may vary slightly. Drawer front heights and openings are not affected.

Vanity Mid (VM_) and Full Vanity Mid (FVM_)



Vanity Mid Drawer Cabinets (VM_D)



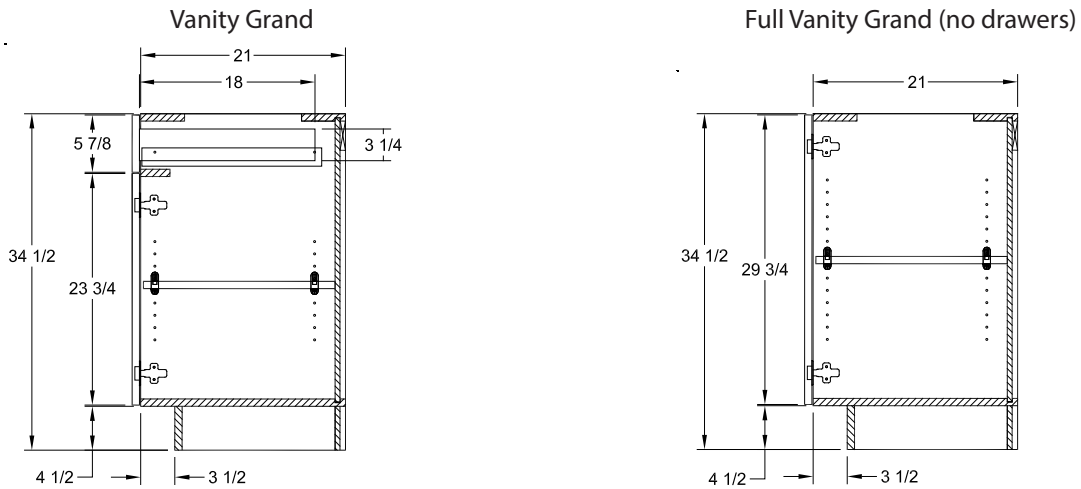
Vanity Cabinets

Vanity Cross Sections

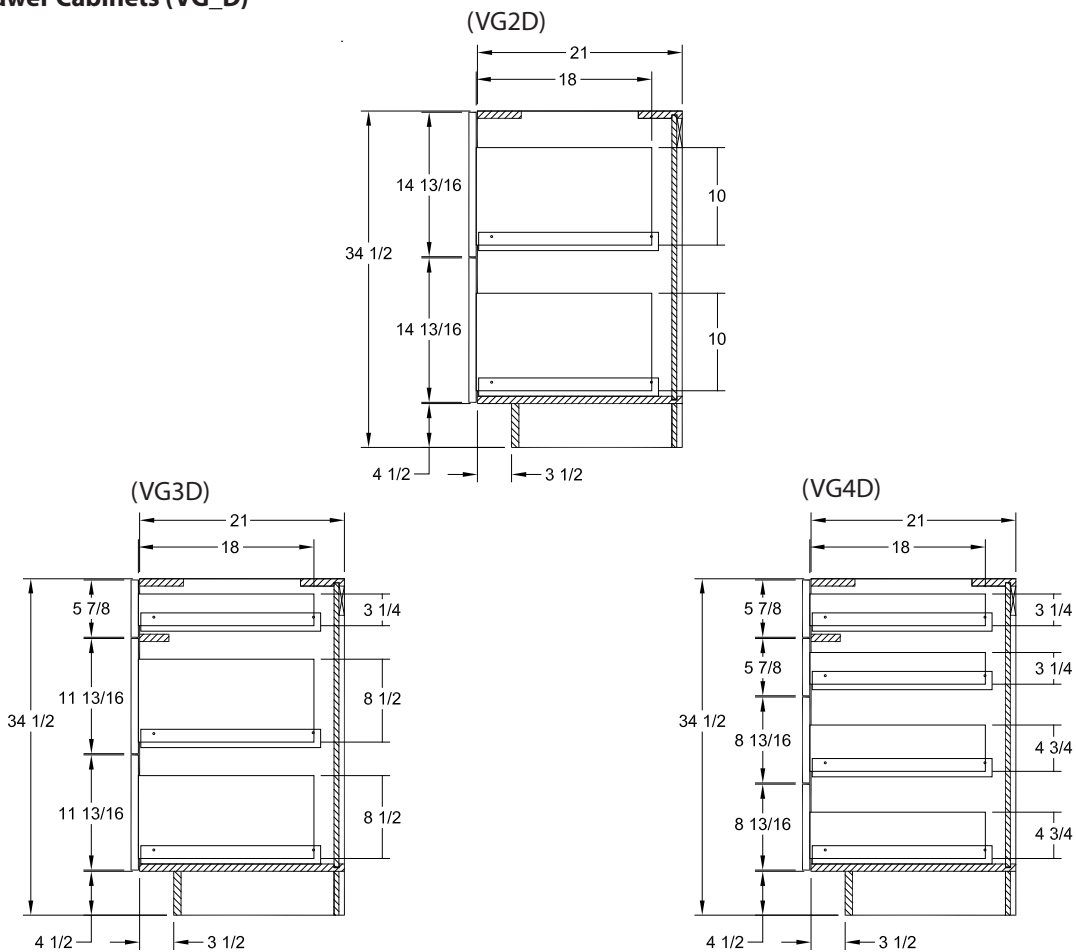
Find door & drawer front heights, widths and reveals on pg V-1

Cross sections feature drawer heights of hardwood drawers (HWDWR). Drawer heights of solid wood drawers (SWD) may vary slightly. Drawer front heights and openings are not affected.

Vanity Grand (VG_) and Full Vanity Grand (FVG_)



Vanity Grand Drawer Cabinets (VG_D)



Vanity Cabinets

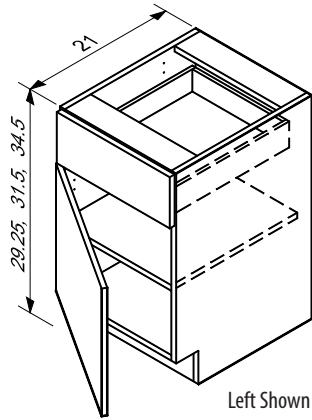
<< Intentionally Blank >>

VANITY

- One 3/4" thick full-depth adjustable shelf
- Apply **RDV18** modification for 18" depth, for other allowable depths use **RD** or **ID** modifications

MODIFICATION LIMITS

Width 9" – 24"
 Height 22 1/2" – 46 1/2"
 Depth 12" – 30"

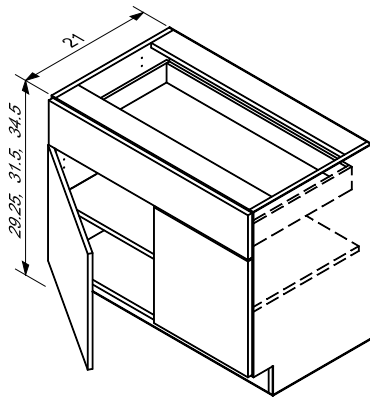


Vanity V1DR1DWR	Vanity Mid VM1DR1DWR	Vanity Grand VG1DR1DWR
V12*	VM12*	VG12*
V15*	VM15*	VG15*
V18*	VM18*	VG18*
V21*	VM21*	VG21*
V24*	VM24*	VG24*

MODIFICATION LIMITS

Width 18" – 36"
 Height 22 1/2" – 46 1/2"
 Depth 12" – 30"

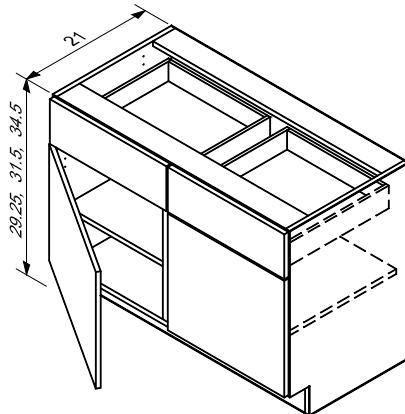
Apply **2DF1** mod. for two horizontal top drawers



Vanity V2DR1DWR	Vanity Mid VM2DR1DWR	Vanity Grand VG2DR1DWR
V24DD	VM24DD	VG24DD
V27	VM27	VG27
V30	VM30	VG30
V33	VM33	VG33
V36	VM36	VG36

MODIFICATION LIMITS

Width 36 1/4" – 42"
 Height 22 1/2" – 46 1/2"
 Depth 12" – 30"



Vanity V2DR2DWR	Vanity Mid VM2DR2DWR	Vanity Grand VG2DR2DWR
V39	VM39	VG39
V42	VM42	VG42

Vanity Cabinets

* L or R required

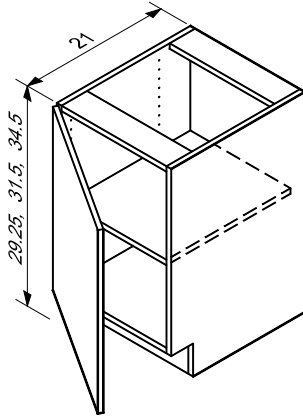
	M0	M1	M2	M3	M3A	M4	M4A	M5	M5A	M6	M6A	M7	M8	M9	M10	M11	M11A	M13	M15	M16
VANITY																				
V12*	357	446	514	514	514	514	514	599	599	599	599	626	655	682	738	690	690	755	801	880
V15*	384	480	555	599	599	599	599	663	663	663	663	694	726	756	817	785	785	860	911	1035
V18*	411	514	595	651	651	651	651	728	728	728	728	762	795	831	899	879	879	962	1021	1187
V21*	437	546	636	702	702	702	702	792	792	792	792	829	867	904	977	970	970	1063	1128	1340
V24*	460	575	673	751	751	751	751	853	853	853	853	894	934	975	1053	1060	1060	1162	1233	1491
V24DD	506	633	750	829	829	829	829	934	934	934	934	979	1024	1068	1155	1121	1121	1230	1304	1526
V27	532	665	790	880	880	880	880	999	999	999	999	1046	1094	1143	1235	1214	1214	1331	1413	1681
V30	606	758	890	992	992	992	992	1123	1123	1123	1123	1177	1231	1286	1389	1367	1367	1499	1593	1894
V33	634	792	931	1045	1045	1045	1045	1187	1187	1187	1187	1245	1303	1358	1469	1460	1460	1603	1701	2047
V36	659	824	970	1096	1096	1096	1096	1250	1250	1250	1250	1311	1370	1431	1547	1554	1554	1704	1810	2200
V39	694	867	1040	1163	1163	1163	1163	1330	1330	1330	1330	1394	1459	1523	1645	1660	1660	1822	1935	2342
V42	721	901	1080	1214	1214	1214	1214	1394	1394	1394	1394	1462	1530	1598	1727	1754	1754	1925	2045	2495
VANITY MID																				
VM12*	376	470	539	573	573	573	573	631	631	631	631	660	690	719	777	731	731	801	848	940
VM15*	408	510	589	634	634	634	634	706	706	706	706	738	772	804	868	834	834	912	968	1101
VM18*	440	550	638	695	695	695	695	778	778	778	778	814	851	889	960	936	936	1024	1087	1262
VM21*	472	590	689	755	755	755	755	851	851	851	851	892	933	974	1052	1036	1036	1136	1206	1423
VM24*	502	628	736	814	814	814	814	923	923	923	923	967	1011	1055	1140	1136	1136	1247	1323	1582
VM24DD	544	680	804	887	887	887	887	1006	1006	1006	1006	1053	1101	1150	1243	1223	1223	1340	1423	1684
VM27	575	719	853	946	946	946	946	1079	1079	1079	1079	1130	1182	1233	1333	1325	1325	1452	1542	1845
VM30	631	789	933	1036	1036	1036	1036	1182	1182	1182	1182	1238	1296	1352	1460	1455	1455	1596	1696	2037
VM33	663	829	982	1097	1097	1097	1097	1255	1255	1255	1255	1314	1375	1437	1552	1557	1557	1708	1815	2198
VM36	694	868	1031	1157	1157	1157	1157	1328	1328	1328	1328	1391	1455	1520	1642	1659	1659	1820	1933	2359
VM39	731	914	1096	1225	1225	1225	1225	1408	1408	1408	1408	1476	1545	1613	1743	1767	1767	1940	2061	2513
VM42	764	955	1143	1284	1284	1284	1284	1481	1481	1481	1481	1552	1625	1696	1832	1871	1871	2052	2181	2675
VANITY GRAND																				
VG12*	394	492	563	600	600	600	600	663	663	663	663	694	726	756	817	772	772	845	895	997
VG15*	431	539	621	668	668	668	668	746	746	746	746	782	817	851	921	882	882	967	1024	1167
VG18*	468	585	680	738	738	738	738	828	828	828	828	867	906	945	1021	992	992	1087	1153	1335
VG21*	506	633	739	806	806	806	806	911	911	911	911	955	997	1041	1126	1102	1102	1209	1282	1504
VG24*	542	678	799	875	875	875	875	992	992	992	992	1040	1087	1135	1226	1213	1213	1330	1411	1672
VG24DD	581	726	856	943	943	943	943	1075	1075	1075	1075	1126	1179	1230	1328	1323	1323	1452	1540	1842
VG27	618	773	916	1011	1011	1011	1011	1157	1157	1157	1157	1213	1269	1325	1431	1433	1433	1572	1669	2010
VG30	655	819	975	1080	1080	1080	1080	1240	1240	1240	1240	1299	1360	1420	1533	1543	1543	1694	1798	2179
VG33	694	867	1033	1148	1148	1148	1148	1321	1321	1321	1321	1386	1448	1513	1635	1654	1654	1815	1928	2347
VG36	730	912	1092	1218	1218	1218	1218	1404	1404	1404	1404	1472	1540	1608	1737	1764	1764	1937	2057	2517
VG39	768	960	1152	1286	1286	1286	1286	1486	1486	1486	1486	1559	1630	1703	1840	1874	1874	2057	2186	2685
VG42	806	1007	1204	1353	1353	1353	1353	1567	1567	1567	1567	1643	1720	1796	1940	1986	1986	2181	2317	2854

FULL VANITY

- One 3/4" thick full-depth adjustable shelf
- Apply **RDV18** modification for 18" depth, for other allowable depths use **RD** or **ID** modifications

MODIFICATION LIMITS

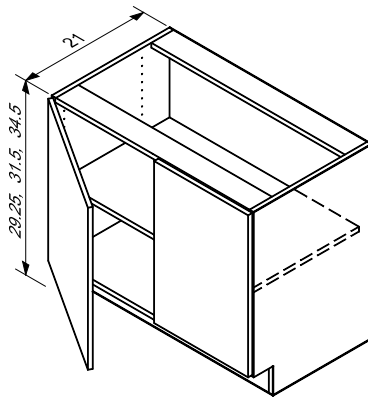
Width 9" – 24"
 Height 16 1/2" – 46 1/2"
 Depth 6" – 30"



Vanity	Vanity Mid	Vanity Grand
<u>FV1DR</u>	<u>FVM1DR</u>	<u>FVG1DR</u>
FV12*	FVM12*	FVG12*
FV15*	FVM15*	FVG15*
FV18*	FVM18*	FVG18*
FV21*	FVM21*	FVG21*
FV24*	FVM24*	FVG24*

MODIFICATION LIMITS

Width 18" – 42"
 Height 16 1/2" – 46 1/2"
 Depth 6" – 30"



Vanity	Vanity Mid	Vanity Grand
<u>FV2DR</u>	<u>FVM2DR</u>	<u>FVG2DR</u>
FV24DD	FVM24DD	FVG24DD
FV27	FVM27	FVG27
FV30	FVM30	FVG30
FV33	FVM33	FVG33
FV36	FVM36	FVG36
FV39	FVM39	FVG39
FV42	FVM42	FVG42

Vanity Cabinets

* L or R required

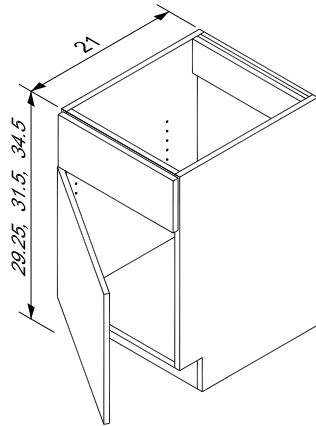
	M0	M1	M2	M3	M3A	M4	M4A	M5	M5A	M6	M6A	M7	M8	M9	M10	M11	M11A	M13	M15	M16
FULL VANITY																				
FV12*	285	356	407	439	439	439	439	509	509	509	509	533	556	578	626	604	604	660	699	845
FV15*	306	383	441	483	483	483	483	568	568	568	568	595	621	648	700	694	694	758	804	1001
FV18*	328	410	477	526	526	526	526	628	628	628	628	656	687	716	773	782	782	856	907	1155
FV21*	350	438	512	568	568	568	568	687	687	687	687	719	751	784	846	870	870	953	1011	1309
FV24*	372	465	546	611	611	611	611	745	745	745	745	780	814	850	919	960	960	1052	1116	1464
FV24DD	419	524	624	692	692	692	692	829	829	829	829	868	907	948	1024	1023	1023	1121	1189	1503
FV27	441	551	660	734	734	734	734	889	889	889	889	931	974	1016	1097	1111	1111	1218	1292	1657
FV30	462	578	694	777	777	777	777	948	948	948	948	994	1038	1084	1172	1199	1199	1314	1396	1811
FV33	484	605	729	821	821	821	821	1007	1007	1007	1007	1055	1104	1152	1245	1289	1289	1414	1501	1966
FV36	506	633	765	863	863	863	863	1067	1067	1067	1067	1118	1169	1221	1319	1377	1377	1511	1604	2120
FV39	528	660	799	906	906	906	906	1126	1126	1126	1126	1180	1235	1289	1392	1465	1465	1608	1708	2274
FV42	550	687	834	948	948	948	948	1184	1184	1184	1184	1241	1297	1355	1464	1555	1555	1706	1813	2429
FULL VANITY MID																				
FVM12*	302	378	431	466	466	466	466	541	541	541	541	565	590	616	667	644	644	704	746	906
FVM15*	327	409	470	514	514	514	514	604	604	604	604	633	660	689	745	738	738	807	856	1065
FVM18*	351	439	509	561	561	561	561	668	668	668	668	700	731	763	824	831	831	909	965	1225
FVM21*	374	468	548	609	609	609	609	733	733	733	733	767	802	836	904	924	924	1013	1074	1384
FVM24*	399	499	587	655	655	655	655	795	795	795	795	833	872	909	982	1018	1018	1116	1184	1543
FVM24DD	435	544	646	721	721	721	721	873	873	873	873	914	957	997	1079	1099	1099	1204	1277	1645
FVM27	460	575	687	768	768	768	768	936	936	936	936	982	1026	1072	1158	1191	1191	1306	1387	1805
FVM30	484	605	724	816	816	816	816	1001	1001	1001	1001	1048	1097	1145	1236	1284	1284	1409	1496	1964
FVM33	509	636	763	863	863	863	863	1065	1065	1065	1065	1116	1167	1219	1318	1379	1379	1513	1606	2123
FVM36	532	665	804	911	911	911	911	1130	1130	1130	1130	1184	1238	1292	1396	1472	1472	1615	1715	2283
FVM39	556	695	841	957	957	957	957	1194	1194	1194	1194	1252	1309	1365	1476	1565	1565	1716	1823	2442
FVM42	581	726	882	1004	1004	1004	1004	1257	1257	1257	1257	1318	1379	1438	1554	1659	1659	1820	1933	2602
FULL VANITY GRAND																				
FVG12*	320	400	455	494	494	494	494	572	572	572	572	599	624	651	704	683	683	748	792	965
FVG15*	347	434	497	544	544	544	544	641	641	641	641	670	700	731	790	782	782	855	907	1130
FVG18*	373	466	541	597	597	597	597	709	709	709	709	743	777	809	875	880	880	963	1023	1294
FVG21*	400	500	583	648	648	648	648	778	778	778	778	816	851	889	960	977	977	1072	1136	1459
FVG24*	426	533	626	699	699	699	699	848	848	848	848	887	928	968	1046	1075	1075	1179	1252	1623
FVG24DD	453	566	670	751	751	751	751	916	916	916	916	960	1004	1046	1131	1174	1174	1287	1365	1788
FVG27	479	599	712	802	802	802	802	985	985	985	985	1033	1079	1126	1218	1272	1272	1394	1481	1952
FVG30	506	633	756	855	855	855	855	1053	1053	1053	1053	1104	1155	1206	1303	1370	1370	1503	1596	2117
FVG33	532	665	799	906	906	906	906	1123	1123	1123	1123	1177	1231	1286	1389	1469	1469	1611	1710	2281
FVG36	559	699	841	957	957	957	957	1192	1192	1192	1192	1250	1308	1364	1474	1565	1565	1718	1825	2446
FVG39	585	731	885	1009	1009	1009	1009	1260	1260	1260	1260	1321	1382	1443	1560	1664	1664	1827	1940	2610
FVG42	612	765	928	1060	1060	1060	1060	1330	1330	1330	1330	1394	1459	1523	1645	1762	1762	1933	2054	2775

VANITY SINK

- No adjustable shelves
- Full-height 1/2" thick back
- Apply **RDV18** modification for 18" depth, for other allowable depths use **RD** or **ID** modifications

MODIFICATION LIMITS

Width 9" – 24"
 Height 22-1/2" – 46-1/2"
 Depth 12" – 30"

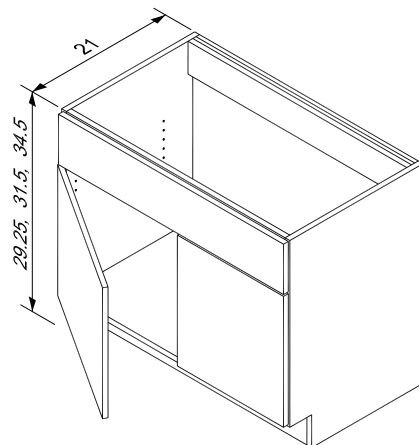


Vanity VS1DR1FF	Vanity Mid VMS1DR1FF	Vanity Grand VGS1DR1FF
VS12*	VMS12*	VGS12*
VS15*	VMS15*	VGS15*
VS18*	VMS18*	VGS18*
VS21*	VMS21*	VGS21*
VS24*	VMS24*	VGS24*

MODIFICATION LIMITS

Width 18" – 36"
 Height 22-1/2" – 46-1/2"
 Depth 12" – 30"

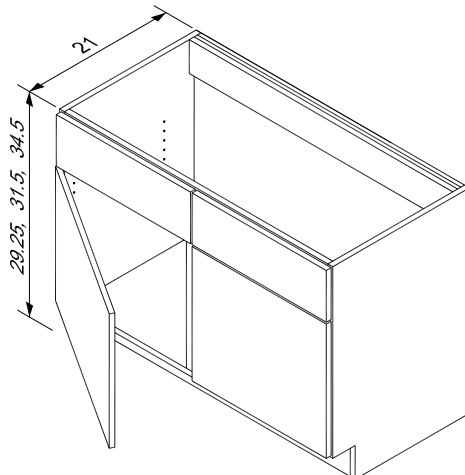
Apply **2DF1** mod. for two horizontal top drawers



Vanity VS2DR1FF	Vanity Mid VMS2DR1FF	Vanity Grand VGS2DR1FF
VS24DD	VMS24DD	VGS24DD
VS27	VMS27	VGS27
VS30	VMS30	VGS30
VS33	VMS33	VGS33
VS36	VMS36	VGS36

MODIFICATION LIMITS

Width 36-1/4" – 42"
 Height 22-1/2" – 46-1/2"
 Depth 12" – 30"



Vanity VS2DR2FF	Vanity Mid VMS2DR2FF	Vanity Grand VGS2DR2FF
VS39	VMS39	VGS39
VS42	VMS42	VGS42

Vanity Cabinets

* L or R required

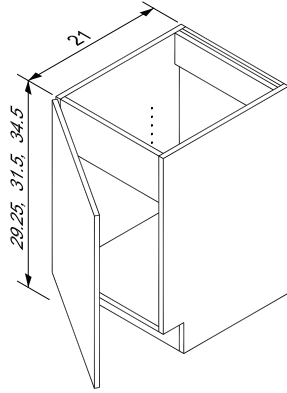
	M0	M1	M2	M3	M3A	M4	M4A	M5	M5A	M6	M6A	M7	M8	M9	M10	M11	M11A	M13	M15	M16
VANITY SINK																				
VS18*	357	446	512	561	561	561	561	663	663	663	663	694	726	756	817	817	817	895	950	1191
VS21*	365	456	529	590	590	590	590	704	704	704	704	738	770	804	868	889	889	974	1033	1326
VS24*	386	483	565	634	634	634	634	763	763	763	763	799	836	872	943	977	977	1070	1136	1482
VS24DD	448	560	660	728	728	728	728	865	865	865	865	906	948	989	1068	1058	1058	1160	1231	1538
VS27	470	587	695	770	770	770	770	924	924	924	924	968	1013	1057	1141	1146	1146	1257	1335	1693
VS30	491	614	729	797	797	797	797	984	984	984	984	1031	1079	1124	1216	1235	1235	1353	1438	1849
VS33	513	641	765	856	856	856	856	1043	1043	1043	1043	1094	1143	1194	1291	1325	1325	1453	1543	2003
VS36	534	668	799	899	899	899	899	1102	1102	1102	1102	1155	1209	1262	1364	1413	1413	1550	1645	2156
VS39	556	695	834	951	951	951	951	1162	1162	1162	1162	1218	1274	1330	1437	1501	1501	1647	1749	2312
VS42	578	722	870	994	994	994	994	1219	1219	1219	1219	1279	1336	1396	1508	1591	1591	1745	1854	2466
VANITY MID SINK																				
VMS18*	373	466	544	605	605	605	605	733	733	733	733	767	802	836	904	936	936	1024	1087	1377
VMS21*	388	485	573	644	644	644	644	782	782	782	782	817	855	892	965	1009	1009	1106	1172	1508
VMS24*	411	514	611	692	692	692	692	840	840	840	840	879	919	958	1036	1091	1091	1194	1269	1649
VMS24DD	453	566	680	763	763	763	763	918	918	918	918	962	1006	1050	1135	1169	1169	1280	1360	1740
VMS27	476	595	717	809	809	809	809	975	975	975	975	1023	1068	1116	1206	1250	1250	1370	1455	1881
VMS30	498	622	755	848	848	848	848	1035	1035	1035	1035	1084	1133	1182	1277	1331	1331	1460	1550	2022
VMS33	521	651	794	902	902	902	902	1092	1092	1092	1092	1145	1197	1248	1348	1414	1414	1552	1647	2162
VMS36	544	680	831	948	948	948	948	1150	1150	1150	1150	1204	1260	1316	1423	1496	1496	1640	1742	2303
VMS39	566	707	870	999	999	999	999	1208	1208	1208	1208	1265	1325	1382	1494	1577	1577	1730	1838	2444
VMS42	589	736	909	1045	1045	1045	1045	1265	1265	1265	1265	1326	1387	1448	1565	1660	1660	1822	1935	2585
VANITY GRAND SINK																				
VGS18*	388	485	575	650	650	650	650	802	802	802	802	840	879	916	990	1053	1053	1155	1225	1562
VGS21*	411	514	616	699	699	699	699	858	858	858	858	899	940	980	1060	1128	1128	1236	1313	1689
VGS24*	435	544	658	748	748	748	748	914	914	914	914	958	1002	1046	1131	1202	1202	1319	1401	1816
VGS24DD	458	573	699	799	799	799	799	972	972	972	972	1018	1063	1111	1201	1279	1279	1403	1489	1942
VGS27	482	602	739	848	848	848	848	1028	1028	1028	1028	1077	1126	1175	1270	1353	1353	1484	1576	2069
VGS30	506	633	782	897	897	897	897	1084	1084	1084	1084	1136	1189	1240	1340	1428	1428	1567	1664	2196
VGS33	529	661	823	946	946	946	946	1140	1140	1140	1140	1196	1250	1304	1409	1503	1503	1649	1752	2324
VGS36	552	690	863	997	997	997	997	1197	1197	1197	1197	1255	1313	1370	1481	1579	1579	1732	1840	2449
VGS39	577	721	906	1046	1046	1046	1046	1253	1253	1253	1253	1313	1374	1435	1550	1654	1654	1815	1927	2576
VGS42	600	750	946	1096	1096	1096	1096	1309	1309	1309	1309	1372	1437	1499	1620	1728	1728	1896	2015	2703

FULL VANITY SINK

- No adjustable shelves
- Full-height 1/2" thick back panel
- Apply **RDV18** modification for 18" depth, for other allowable depths use **RD** or **ID** modifications

MODIFICATION LIMITS

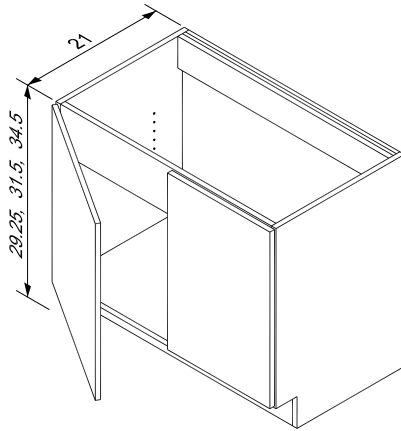
Width 9" – 24"
 Height 28-1/2" – 46-1/2"
 Depth 6" – 30"



Vanity FVS1DR	Vanity Mid FVMS1DR	Vanity Grand FVGS1DR
FVS12*	FVMS12*	FVGS12*
FVS15*	FVMS15*	FVGS15*
FVS18*	FVMS18*	FVGS18*
FVS21*	FVMS21*	FVGS21*
FVS24*	FVMS24*	FVGS24*

MODIFICATION LIMITS

Width 18" – 42"
 Height 28-1/2" – 46-1/2"
 Depth 6" – 30"



Vanity FVS2DR	Vanity Mid FVMS2DR	Vanity Grand FVGS2DR
FVS24DD	FVMS24DD	FVGS24DD
FVS27	FVMS27	FVGS27
FVS30	FVMS30	FVGS30
FVS33	FVMS33	FVGS33
FVS36	FVMS36	FVGS36
FVS39	FVMS39	FVGS39
FVS42	FVMS42	FVGS42

Vanity Cabinets

* L or R required

	M0	M1	M2	M3	M3A	M4	M4A	M5	M5A	M6	M6A	M7	M8	M9	M10	M11	M11A	M13	M15	M16
FULL VANITY SINK																				
FVS18*	327	409	490	546	546	546	546	624	624	624	624	653	682	711	768	773	773	846	897	1082
FVS21*	346	432	524	587	587	587	587	680	680	680	680	712	745	775	838	858	858	940	997	1226
FVS24*	368	460	556	629	629	629	629	736	736	736	736	770	806	840	907	945	945	1035	1097	1372
FVS24DD	414	517	633	712	712	712	712	819	819	819	819	858	897	936	1013	1006	1006	1102	1170	1409
FVS27	433	541	665	755	755	755	755	873	873	873	873	916	957	999	1080	1089	1089	1194	1267	1554
FVS30	450	563	695	797	797	797	797	928	928	928	928	972	1016	1060	1145	1174	1174	1287	1365	1696
FVS33	471	589	728	841	841	841	841	984	984	984	984	1031	1079	1124	1216	1257	1257	1379	1464	1840
FVS36	490	612	758	884	884	884	884	1038	1038	1038	1038	1087	1138	1187	1282	1342	1342	1472	1562	1984
FVS39	525	656	829	941	941	941	941	1119	1119	1119	1119	1174	1228	1280	1384	1450	1450	1591	1689	2128
FVS42	544	680	860	984	984	984	984	1174	1174	1174	1174	1230	1287	1343	1452	1533	1533	1682	1786	2271
FULL VANITY MID SINK																				
FVMS18*	346	432	517	577	577	577	577	646	646	646	646	675	706	736	795	824	824	902	957	1160
FVMS21*	365	456	551	617	617	617	617	706	706	706	706	739	773	806	870	911	911	999	1058	1316
FVMS24*	386	483	585	660	660	660	660	767	767	767	767	804	840	875	946	1001	1001	1096	1163	1476
FVMS24DD	421	526	641	722	722	722	722	841	841	841	841	882	921	962	1040	1077	1077	1179	1252	1579
FVMS27	441	551	675	765	765	765	765	902	902	902	902	945	987	1031	1114	1163	1163	1275	1353	1737
FVMS30	460	575	707	809	809	809	809	962	962	962	962	1007	1053	1101	1189	1252	1252	1372	1457	1893
FVMS33	482	602	741	851	851	851	851	1023	1023	1023	1023	1072	1121	1170	1265	1338	1338	1467	1559	2050
FVMS36	502	628	773	894	894	894	894	1084	1084	1084	1084	1135	1187	1240	1340	1426	1426	1564	1662	2208
FVMS39	530	663	828	945	945	945	945	1157	1157	1157	1157	1213	1269	1325	1431	1526	1526	1674	1777	2366
FVMS42	551	689	860	987	987	987	987	1218	1218	1218	1218	1275	1335	1392	1504	1613	1613	1771	1879	2524
FULL VANITY GRAND SINK																				
FVGS18*	364	455	544	605	605	605	605	667	667	667	667	697	729	760	821	873	873	957	1014	1236
FVGS21*	386	482	580	648	648	648	648	733	733	733	733	767	802	836	904	965	965	1057	1121	1408
FVGS24*	407	509	614	690	690	690	690	799	799	799	799	836	873	912	987	1055	1055	1157	1228	1579
FVGS24DD	427	534	650	734	734	734	734	865	865	865	865	906	946	987	1067	1146	1146	1257	1335	1749
FVGS27	449	561	685	777	777	777	777	931	931	931	931	975	1019	1063	1150	1238	1238	1357	1440	1920
FVGS30	471	589	719	819	819	819	819	996	996	996	996	1045	1092	1140	1231	1328	1328	1457	1547	2091
FVGS33	493	616	755	862	862	862	862	1062	1062	1062	1062	1113	1163	1216	1314	1420	1420	1557	1654	2262
FVGS36	513	641	790	906	906	906	906	1128	1128	1128	1128	1182	1236	1291	1394	1511	1511	1657	1760	2432
FVGS39	534	668	824	948	948	948	948	1194	1194	1194	1194	1252	1309	1367	1477	1601	1601	1757	1867	2603
FVGS42	556	695	860	990	990	990	990	1260	1260	1260	1260	1321	1382	1443	1560	1693	1693	1857	1972	2775

VANITY SQUARE CORNER

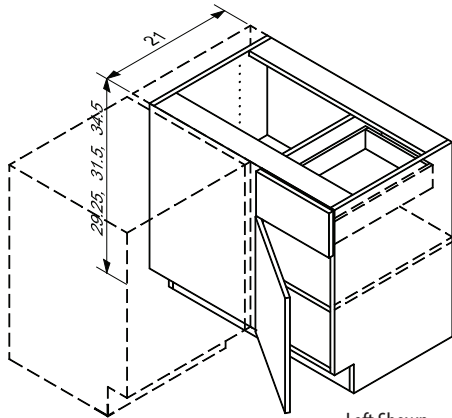
- One 3/4" thick full-depth adjustable shelf
- When depth is modified, depth of return does not change
(See specifications below)

MODIFICATION LIMITS

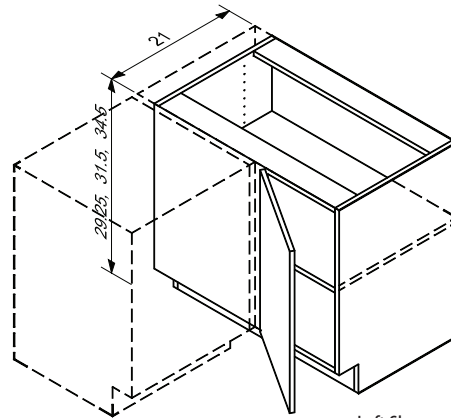
Width No width mods
 Height 22-1/2" – 46-1/2"
 Depth 12" – 30"

MODIFICATION LIMITS

Width No width mods
 Height 16-1/2" – 46-1/2"
 Depth 12" – 30"



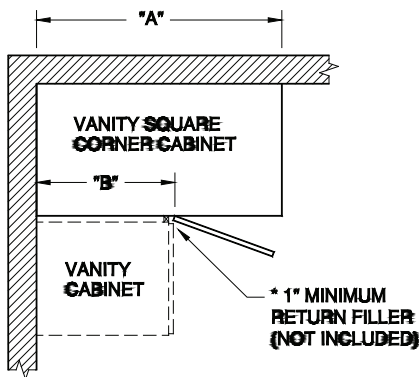
Left Shown



Left Shown

Vanity VSC1DR1DWR	Vanity Mid VMSC1DR1DWR	Vanity Grand VGSC1DR1DWR	Vanity FVSC1DR	Vanity Mid FVMSC1DR	Vanity Grand FVGSC1DR
VSC33-36*	VMSC33-36*	VGSC33-36*	FVSC33-36*	FVMSC33-36*	FVGSC33-36*
VSC36-39*	VMSC36-39*	VGSC36-39*	FVSC36-39*	FVMSC36-39*	FVGSC36-39*
VSC39-42*	VMSC39-42*	VGSC39-42*	FVSC39-42*	FVMSC39-42*	FVGSC39-42*

Vanity Square Corner Specifications



CABINET SIZE	ACTUAL WIDTH	DOOR WIDTH
VSC33-36	33"	10 7/8"
VSC36-39	36"	13 7/8"
VSC39-42	39"	16 7/8"

Maximum recommended pull is 3".

Dimension "A"- Minimum space and actual width of cabinet

Dimension "B"- 22" Distance from end of cabinet on void side to edge of door

- Right or Left determined by specifying which side is voided
- Void is a finished 3/4" thick panel
- Cabinet must be pulled so drawer clears adjacent appliance handle or drawer hardware
- 1" minimum filler is required to allow adjacent cabinet door to clear door on square corner cabinet
- Filler equal to hardware depth + 1" must be used to clear door hardware

Vanity Cabinets

* L or R required

	M0	M1	M2	M3	M3A	M4	M4A	M5	M5A	M6	M6A	M7	M8	M9	M10	M11	M11A	M13	M15	M16
VANITY SQUARE CORNER																				
VSC33-36*	663	829	894	928	928	928	928	982	982	982	982	1029	1077	1124	1216	1082	1082	1186	1258	1289
VSC36-39*	690	862	936	980	980	980	980	1048	1048	1048	1048	1099	1148	1199	1296	1177	1177	1291	1369	1447
VSC39-42*	715	894	975	1031	1031	1031	1031	1114	1114	1114	1114	1167	1221	1275	1379	1272	1272	1394	1481	1604
VANITY MID SQUARE CORNER																				
VMSC33-36*	698	872	941	977	977	977	977	1035	1035	1035	1035	1084	1135	1184	1279	1140	1140	1250	1326	1358
VMSC36-39*	726	907	985	1031	1031	1031	1031	1104	1104	1104	1104	1157	1211	1264	1365	1240	1240	1358	1443	1525
VMSC39-42*	753	941	1026	1087	1087	1087	1087	1174	1174	1174	1174	1230	1287	1343	1452	1340	1340	1469	1560	1691
VANITY GRAND SQUARE CORNER																				
VGSC33-36*	733	916	989	1026	1026	1026	1026	1087	1087	1087	1087	1140	1192	1243	1343	1197	1197	1313	1394	1428
VGSC36-39*	762	953	1035	1084	1084	1084	1084	1160	1160	1160	1160	1216	1272	1328	1435	1303	1303	1428	1516	1603
VGSC39-42*	791	989	1079	1141	1141	1141	1141	1233	1233	1233	1233	1292	1352	1411	1525	1408	1408	1545	1640	1777
FULL VANITY SQUARE CORNER																				
FVSC33-36*	601	751	799	834	834	834	834	906	906	906	906	948	990	1035	1118	1007	1007	1104	1170	1275
FVSC36-39*	622	778	836	879	879	879	879	967	967	967	967	1013	1058	1104	1194	1097	1097	1202	1277	1435
FVSC39-42*	645	806	872	921	921	921	921	1026	1026	1026	1026	1075	1124	1174	1269	1189	1189	1303	1384	1593
FULL VANITY MID SQUARE CORNER																				
FVMSC33-36*	632	790	841	879	879	879	879	953	953	953	953	999	1043	1089	1177	1060	1060	1162	1233	1345
FVMSC36-39*	655	819	880	926	926	926	926	1018	1018	1018	1018	1065	1114	1163	1257	1155	1155	1267	1345	1511
FVMSC39-42*	678	848	918	970	970	970	970	1080	1080	1080	1080	1131	1184	1236	1336	1252	1252	1374	1459	1679
FULL VANITY GRAND SQUARE CORNER																				
FGVSC33-36*	663	829	884	923	923	923	923	1001	1001	1001	1001	1048	1097	1145	1236	1114	1114	1221	1296	1413
FGVSC36-39*	688	860	924	972	972	972	972	1068	1068	1068	1068	1119	1172	1223	1321	1214	1214	1331	1413	1589
FGVSC39-42*	712	890	963	1019	1019	1019	1019	1135	1135	1135	1135	1189	1243	1299	1404	1316	1316	1443	1533	1766

Vanity Cabinets

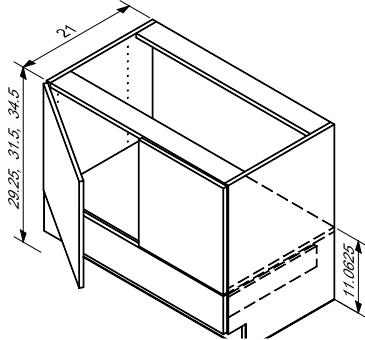
VANITY REVERSE

- Do not use this cabinet if floor plumbing exists
- No adjustable shelves
- Full-height 1/2" thick back panel
- Distance floor to top of fixed shelf: 11-1/16"
- Apply **RDV18** modification for 18" depth, for other allowable depths use **RD** or **ID** modifications

MODIFICATION LIMITS

Width 18" – 36"
 Height 22-1/2" – 46-1/2"
 Depth 12" – 30"

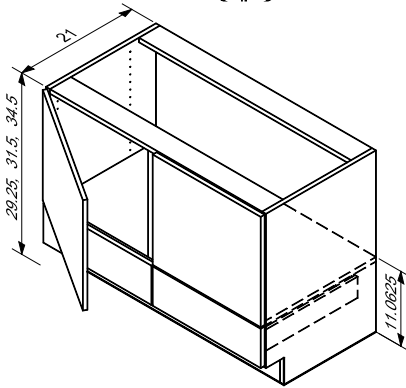
Apply **2DF1** mod. for two horizontal top drawers



Vanity	Vanity Mid	Vanity Grand
<u>VR2DR1DWR</u>	<u>VMR2DR1DWR</u>	<u>VGR2DR1DWR</u>
VR24DD	VMR24DD	VGR24DD
VR27	VMR27	VGR27
VR30	VMR30	VGR30
VR33	VMR33	VGR33
VR36	VMR36	VGR36

MODIFICATION LIMITS

Width 36-1/4" – 42"
 Height 22-1/2" – 46-1/2"
 Depth 12" – 30"



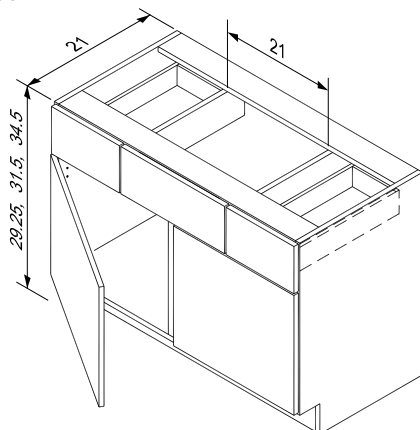
Vanity	Vanity Mid	Vanity Grand
<u>VR2DR2DWR</u>	<u>VMR2DR2DWR</u>	<u>VGR2DR2DWR</u>
VR39	VMR39	VGR39
VR42	VMR42	VGR42

VANITY COMBINATION

- No adjustable shelves
- Full-height 1/2" thick back panel
- Apply **RDV18** modification for 18" depth, for other allowable depths use **RD** or **ID** modifications
- Width reduction taken from drawers
- Center drawer front is false front
- Apply **ITO** modification for tip-out tray

MODIFICATION LIMITS

Width 36" – 48"
 Height 22-1/2" – 46-1/2"
 Depth 12" – 30"



Vanity	Vanity Mid	Vanity Grand
<u>VCOM2DR2DWR</u>	<u>VMCOM2DR2DWR</u>	<u>VGCOM2DR2DWR</u>
VCOM36	VMCOM36	VGCOM36
VCOM39	VMCOM39	VGCOM39
VCOM42	VMCOM42	VGCOM42
VCOM45	VMCOM45	VGCOM45
VCOM48	VMCOM48	VGCOM48

Vanity Cabinets

	M0	M1	M2	M3	M3A	M4	M4A	M5	M5A	M6	M6A	M7	M8	M9	M10	M11	M11A	M13	M15	M16
VANITY REVERSE																				
VR24DD	520	650	767	846	846	846	846	951	951	951	951	997	1043	1087	1175	1138	1138	1248	1325	1543
VR27	548	685	811	901	901	901	901	1019	1019	1019	1019	1068	1118	1165	1258	1235	1235	1353	1438	1701
VR30	626	782	914	1016	1016	1016	1016	1146	1146	1146	1146	1202	1257	1313	1418	1391	1391	1526	1620	1918
VR33	655	819	958	1072	1072	1072	1072	1214	1214	1214	1214	1274	1331	1391	1503	1487	1487	1632	1733	2074
VR36	684	855	1001	1126	1126	1126	1126	1280	1280	1280	1280	1343	1404	1467	1586	1584	1584	1738	1847	2230
VR39	721	901	1074	1197	1197	1197	1197	1364	1364	1364	1364	1430	1496	1562	1688	1694	1694	1859	1976	2376
VR42	750	938	1118	1252	1252	1252	1252	1431	1431	1431	1431	1501	1570	1640	1772	1791	1791	1966	2088	2532
VANITY MID REVERSE																				
VMR24DD	538	673	795	880	880	880	880	994	994	994	994	1041	1089	1136	1228	1199	1199	1314	1394	1640
VMR27	569	711	840	936	936	936	936	1065	1065	1065	1065	1116	1167	1218	1316	1299	1299	1425	1513	1806
VMR30	622	777	914	1023	1023	1023	1023	1165	1165	1165	1165	1221	1277	1333	1440	1430	1430	1569	1665	2001
VMR33	651	814	958	1079	1079	1079	1079	1235	1235	1235	1235	1294	1353	1413	1526	1531	1531	1681	1784	2167
VMR36	680	850	1002	1135	1135	1135	1135	1304	1304	1304	1304	1367	1430	1492	1613	1633	1633	1791	1903	2334
VMR39	749	936	1116	1247	1247	1247	1247	1430	1430	1430	1430	1498	1567	1637	1769	1788	1788	1962	2084	2529
VMR42	779	974	1162	1303	1303	1303	1303	1499	1499	1499	1499	1572	1645	1718	1857	1889	1889	2073	2203	2693
VANITY GRAND REVERSE																				
VGR24DD	558	697	823	912	912	912	912	1036	1036	1036	1036	1085	1136	1186	1280	1258	1258	1381	1465	1735
VGR27	587	734	868	970	970	970	970	1109	1109	1109	1109	1162	1216	1269	1370	1364	1364	1496	1587	1910
VGR30	616	770	914	1028	1028	1028	1028	1182	1182	1182	1182	1240	1296	1353	1462	1469	1469	1611	1711	2084
VGR33	646	807	958	1085	1085	1085	1085	1253	1253	1253	1253	1314	1374	1435	1550	1576	1576	1728	1837	2261
VGR36	676	845	1004	1143	1143	1143	1143	1326	1326	1326	1326	1391	1455	1520	1642	1681	1681	1845	1959	2435
VGR39	778	972	1158	1296	1296	1296	1296	1494	1494	1494	1494	1567	1640	1711	1849	1881	1881	2064	2193	2680
VGR42	806	1007	1204	1353	1353	1353	1353	1567	1567	1567	1567	1643	1720	1796	1940	1986	1986	2181	2317	2854

	M0	M1	M2	M3	M3A	M4	M4A	M5	M5A	M6	M6A	M7	M8	M9	M10	M11	M11A	M13	M15	M16
VANITY COMBINATION																				
VCOM36	649	811	996	1092	1092	1092	1092	1247	1247	1247	1247	1308	1367	1428	1543	1547	1547	1698	1803	2144
VCOM39	672	840	1031	1140	1140	1140	1140	1308	1308	1308	1308	1370	1435	1498	1618	1637	1637	1796	1908	2291
VCOM42	694	868	1067	1187	1187	1187	1187	1367	1367	1367	1367	1433	1499	1565	1691	1725	1725	1893	2011	2441
VCOM45	795	994	1131	1272	1272	1282	1282	1457	1457	1457	1457	1557	1613	1667	1798	1815	1913	1933	2234	2491
VCOM48	890	1113	1267	1425	1425	1437	1437	1632	1632	1632	1632	1743	1806	1867	2013	2032	2142	2166	2502	2790
VANITY MID COMBINATION																				
VMCOM36	710	887	1091	1197	1197	1197	1197	1367	1367	1367	1367	1433	1499	1565	1691	1698	1698	1862	1979	2354
VMCOM39	735	919	1130	1250	1250	1250	1250	1435	1435	1435	1435	1504	1574	1643	1776	1796	1796	1971	2095	2517
VMCOM42	761	951	1169	1303	1303	1303	1303	1499	1499	1499	1499	1572	1645	1718	1857	1893	1893	2078	2208	2680
VMCOM45	909	1136	1291	1455	1455	1467	1467	1672	1672	1672	1672	1788	1854	1916	2066	2086	2198	2222	2725	3039
VMCOM48	1018	1272	1445	1630	1630	1643	1643	1872	1872	1872	1872	2001	2076	2147	2313	2337	2463	2488	3053	3404
VANITY GRAND COMBINATION																				
VGCOM36	772	965	1186	1303	1303	1303	1303	1487	1487	1487	1487	1560	1632	1704	1842	1847	1847	2028	2154	2564
VGCOM39	799	999	1230	1358	1358	1358	1358	1560	1560	1560	1560	1637	1713	1788	1932	1955	1955	2147	2281	2741
VGCOM42	826	1033	1272	1416	1416	1416	1416	1632	1632	1632	1632	1711	1791	1871	2022	2061	2061	2262	2405	2921
VGCOM45	947	1184	1345	1516	1516	1530	1530	1745	1745	1745	1745	1866	1933	2000	2156	2176	2295	2320	2681	2990
VGCOM48	1061	1326	1506	1698	1698	1713	1713	1954	1954	1954	1954	2089	2166	2239	2415	2437	2569	2598	3004	3350

VANITY & FULL VANITY MID, GRAND HAMPERS

White Wire Hamper:

- 14 1/2" W x 18 1/2" H x 18 3/4" D
- Removable epoxy-coated basket with 3/4 extension guides
- **RDV18** modification is not available

Bottom Mount Pull-out Hamper:

- 14-1/4" W x 21" H x 20" D plastic bin
- Soft open/close, full-extension guides
- Pull-out is mounted to door
- **Modifications:** (-BM cabinets)
No Width or Height modifications
- Cabinet Depth: 21" - 30" (only cab increases)

MODIFICATION LIMITS

Width 18" - 21"
Height 34-1/2" - 46-1/2"
Depth 21" - 30"
(only cabinet increases)

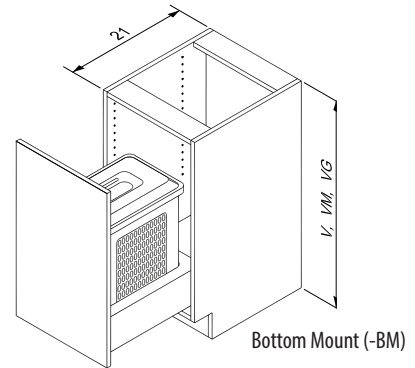
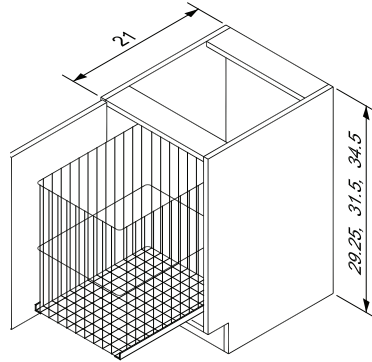
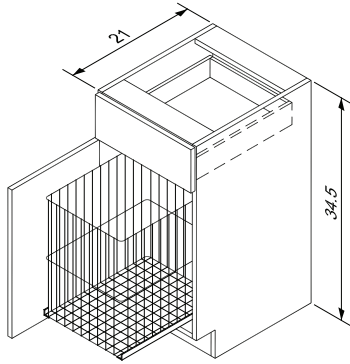
Vanity Grand
VGH__
VGH18*
VGH21*

MODIFICATION LIMITS

(White wire hampers only)
Width 18" - 21"
Height 28-1/2" - 46-1/2"
Depth 21" - 30"
(only cabinet increases)

Full Vanity
FVH__
FVH18*
FVH21*
FVHP18-BM

Full Vanity Mid or Grand
FV(M or G) H__
FV_H18*
FV_H21*
FV_HP18-BM



	M0	M1	M2	M3	M3A	M4	M4A	M5	M5A	M6	M6A	M7	M8	M9	M10	M11	M11A	M13	M15	M16	
VANITY GRAND HAMPER																					
VGH18*	698	872	948	1004	1004	1004	1004	1121	1121	1121	1121	1170	1218	1267	1360	1299	1299	1414	1494	1740	
VGH21*	749	936	1021	1087	1087	1087	1087	1221	1221	1221	1221	1275	1328	1381	1482	1433	1433	1562	1652	1950	
FULL VANITY HAMPER																					
FVH18*	534	667	733	782	782	782	782	884	884	884	884	926	968	1009	1091	1038	1038	1138	1208	1421	
FVH21*	578	722	795	853	853	853	853	970	970	970	970	1016	1063	1109	1199	1155	1155	1267	1345	1604	
FVHP18-BM	1509	1886	1952	2001	2001	2001	2001	2103	2103	2103	2103	2132	2162	2191	2249	2257	2257	2332	2383	2630	
FULL VANITY MID HAMPER																					
FVMH18*	571	714	785	838	838	838	838	946	946	946	946	992	1038	1082	1170	1113	1113	1219	1294	1525	
FVMH21*	618	773	851	914	914	914	914	1040	1040	1040	1040	1089	1140	1189	1286	1238	1238	1358	1442	1721	
FVMHP18-BM	1532	1915	1984	2037	2037	2037	2037	2144	2144	2144	2144	2176	2206	2239	2300	2307	2307	2385	2441	2700	
FULL VANITY GRAND HAMPER																					
FVGH18*	608	760	836	892	892	892	892	1009	1009	1009	1009	1058	1106	1155	1248	1187	1187	1303	1382	1628	
FVGH21*	659	824	909	975	975	975	975	1109	1109	1109	1109	1163	1216	1269	1370	1321	1321	1450	1540	1838	
FVGH21*	659	824	909	975	975	975	975	1109	1109	1109	1109	1163	1216	1269	1370	1321	1321	1450	1540	1838	
FVGH21*	659	824	909	975	975	975	975	1109	1109	1109	1109	1163	1216	1269	1370	1321	1321	1450	1540	1838	
FVGH21*	659	824	909	975	975	975	975	1109	1109	1109	1109	1163	1216	1269	1370	1321	1321	1450	1540	1838	
FVGH21*	659	824	909	975	975	975	975	1109	1109	1109	1109	1163	1216	1269	1370	1321	1321	1450	1540	1838	
FVGH21*	659	824	909	975	975	975	975	1109	1109	1109	1109	1163	1216	1269	1370	1321	1321	1450	1540	1838	
FVGH21*	659	824	909	975	975	975	975	1109	1109	1109	1109	1163	1216	1269	1370	1321	1321	1450	1540	1838	
FVGH21*	659	824	909	975	975	975	975	1109	1109	1109	1109	1163	1216	1269	1370	1321	1321	1450	1540	1838	
FVGH21*	659	824	909	975	975	975	975	1109	1109	1109	1109	1163	1216	1269	1370	1321	1321	1450	1540	1838	
FVGH21*	659	824	909	975	975	975	975	1109	1109	1109	1109	1163	1216	1269	1370	1321	1321	1450	1540	1838	
FVGH21*	659	824	909	975	975	975	975	1109	1109	1109	1109	1163	1216	1269	1370	1321	1321	1450	1540	1838	
FVGH21*	659	824	909	975	975	975	975	1109	1109	1109	1109	1163	1216	1269	1370	1321	1321	1450	1540	1838	
FVGH21*	659	824	909	975	975	975	975	1109	1109	1109	1109	1163	1216	1269	1370	1321	1321	1450	1540	1838	
FVGH21*	659	824	909	975	975	975	975	1109	1109	1109	1109	1163	1216	1269	1370	1321	1321	1450	1540	1838	
FVGH21*	659	824	909	975	975	975	975	1109	1109	1109	1109	1163	1216	1269	1370	1321	1321	1450	1540	1838	
FVGH21*	659	824	909	975	975	975	975	1109	1109	1109	1109	1163	1216	1269	1370	1321	1321	1450	1540	1838	
FVGH21*	659	824	909	975	975	975	975	1109	1109	1109	1109	1163	1216	1269	1370	1321	1321	1450	1540	1838	
FVGH21*	659	824	909	975	975	975	975	1109	1109	1109	1109	1163	1216	1269	1370	1321	1321	1450	1540	1838	
FVGH21*	659	824	909	975	975	975	975	1109	1109	1109	1109	1163	1216	1269	1370	1321	1321	1450	1540	1838	
FVGH21*	659	824	909	975	975	975	975	1109	1109	1109	1109	1163	1216	1269	1370	1321	1321	1450	1540	1838	
FVGH21*	659	824	909	975	975	975	975	1109	1109	1109	1109	1163	1216	1269	1370	1321	1321	1450	1540	1838	
FVGH21*	659	824	909	975	975	975	975	1109	1109	1109	1109	1163	1216	1269	1370	1321	1321	1450	1540	1838	
FVGH21*	659	824	909	975	975	975	975	1109	1109	1109	1109	1163	1216	1269	1370	1321	1321	1450	1540	1838	
FVGH21*	659	824	909	975	975	975	975	1109	1109	1109	1109	1163	1216	1269	1370	1321	1321	1450	1540	1838	
FVGH21*	659	824	909	975	975	975	975	1109	1109	1109	1109	1163	1216	1269	1370	1321	1321	1450	1540	1838	
FVGH21*	659	824	909	975	975	975	975	1109	1109	1109	1109	1163	1216	1269	1370	1321	1321	1450	1540	1838	
FVGH21*	659	824	909	975	975	975	975	1109	1109	1109	1109	1163	1216	1269	1370	1321	1321	1450	1540	1838	
FVGH21*	659	824	909	975	975	975	975	1109	1109	1109	1109	1163	1216	1269	1370	1321	1321	1450	1540	1838	
FVGH21*	659	824	909	975	975	975	975	1109	1109	1109	1109	1163	1216	1269	1370	1321	1321	1450	1540	1838	
FVGH21*	659	824	909	975	975	975	975	1109	1109	1109	1109	1163	1216	1269	1370	1321	1321	1450	1540	1838	
FVGH21*	659	824	909	975	975	975	975	1109	1109	1109	1109	1163	1216	1269	1370	1321	1321	1450	1540	1838	
FVGH21*	659	824	909	975	975	975	975	1109	1109	1109	1109	1163	1216	1269	1370	1321	1321	1450	1540	1838	
FVGH21*	659	824	909	975	975	975	975	1109	1109	1109	1109	1163	1216	1269	1370	1321	1321	1450	1540	1838	
FVGH21*	659	824	909	975	975	975	975	1109	1109	1109	1109	1163	1216	1269	1370	1321	1321	1450	1540	1838	
FVGH21*	659	824	909	975	975	975	975	1109	1109	1109	1109	1163	1216	1269	1370	1321	1321	1450	1540	1838	
FVGH21*	659	824	909	975	975	975	975	1109	1109	1109	1109	1163	1216	1269	1370	1321	1321	1450	1540	1838	
FVGH21*	659	824	909	975	975	975	975	1109	1109	1109	1109	1163	1216	1269	1370	1321	1321	1450	1540	1838	
FVGH21*	659	824	909	975	975	975	975	1109	1109	1109	1109	1163	1216	1269	1370	1321	1321	1450	1540	1838	
FVGH21*	659	824	909	975	975	975	975	1109	1109	1109	1109	1163	1216	1269	1370	1321	1321	1450	1540	1838	
FVGH21*	659	824	909	975	975	975	975	1109	1109	1109	1109	1163	1216	1269	1370	1321	1321	1450	1540	1838	
FVGH21*	659	824	909	975	975	975	975	1109	1109	1109	1109	1163	1216	1269	1370	1321	1321	1450	1540	1838	
FVGH21*	659	824	909	975	975	975	975	1109	1109	1109	1109	1163	1216	1269	1370	1321	1321	1450	1540	1838	
FVGH21*	659	824	909	975	975	975	975	1109	1109	1109	1109	1163	1216	1269	1370	1321	132				

Vanity Cabinets

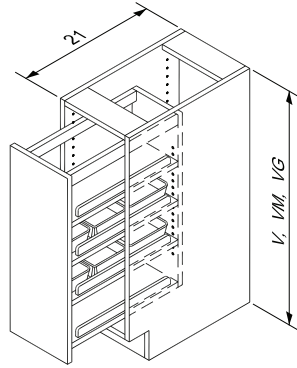
FULL VANITY PULL-OUT ORGANIZER

MODIFICATION LIMITS

- Width No width mods
- Height No height mods
- Depth 21" - 30"
- ☞only cabinet depth changes

- Pull-out features adjustable wood shelves with non-skid liners and clear plastic bins
- Maple/Natural wood shelves
- Soft-close undermount guides
- Pull-out dimensions:
FVP/FVMP: 8" W x 20-1/4" H x 19" D
FVGP: 8" W x 25-1/2" H x 19" D

- Allow clearance adjacent to pull-out for hardware, appliances and mouldings when pull-out is open
- Min. cabinet openings:
FVP/FVMP12: 9" W X 20-3/4" H x 19-1/2" D
FVGP12: 9" W X 26" H x 19-1/2" D



F (V,VM,VG) P_	M0	M1	M2	M3	M3A	M4	M4A	M5	M5A	M6	M6A	M7	M8	M9	M10	M11	M11A	M13	M15	M16
FVP12	1448	1810	1861	1893	1893	1893	1893	1962	1962	1962	1962	1986	2010	2032	2079	2057	2057	2113	2152	2298
FVMP12	1466	1832	1884	1920	1920	1920	1920	1994	1994	1994	1994	2018	2044	2069	2120	2098	2098	2157	2200	2359
FVGP12	1721	2151	2205	2244	2244	2244	2244	2322	2322	2322	2322	2349	2374	2402	2454	2434	2434	2498	2542	2715

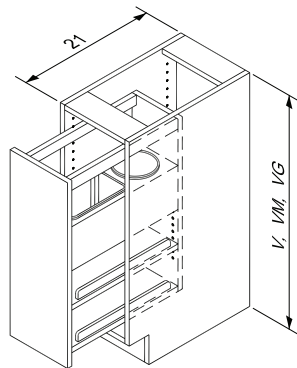
FULL VANITY APPLIANCE PULL-OUT

MODIFICATION LIMITS

- Width No width mods
- Height No height mods
- Depth 21" - 30"
- ☞only cabinet depth changes

- Pull-out features adjustable wood shelves with non-skid liners and two stainless steel bins for styling & grooming appliances
- Maple/Natural wood shelves
- Soft-close undermount guides
- Pull-out dimensions:
FVAP/FVMAP: 8" W x 20-1/4" H x 19" D
FVGAP: 8" W x 25-1/2" H x 19" D

- Allow clearance adjacent to pull-out for hardware, appliances and mouldings when pull-out is open
- Min. cabinet openings:
FVAP/FVMAP12: 9" W X 20-3/4" H x 19-1/2" D
FVGAP12: 9" W X 26" H x 19-1/2" D



F (V,VM,VG)AP_	M0	M1	M2	M3	M3A	M4	M4A	M5	M5A	M6	M6A	M7	M8	M9	M10	M11	M11A	M13	M15	M16
FVAP12	1191	1489	1540	1572	1572	1572	1572	1642	1642	1642	1642	1665	1689	1711	1759	1737	1737	1793	1832	1978
FVMAP12	1209	1511	1564	1599	1599	1599	1599	1674	1674	1674	1674	1698	1723	1749	1799	1777	1777	1837	1879	2039
FVGAP12	1376	1720	1774	1813	1813	1813	1813	1891	1891	1891	1891	1918	1944	1971	2023	2003	2003	2067	2112	2285

Vanity Cabinets

* L or R required

VANITY SINK 3-DRAWER

Note: Single door and double door cabinets are not configured the same. Refer to chart for width of door and drawer areas.

MODIFICATION LIMITS

Width* 24" – 36"

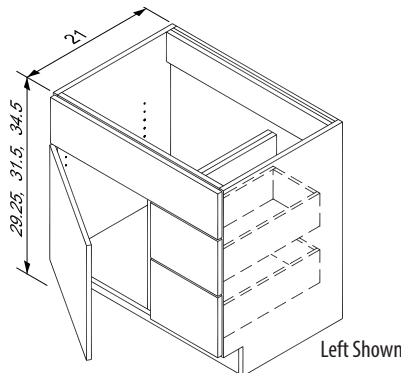
Height 23" – 34-1/2"

Depth 12" – 30"

* Width reduction taken from door area only, drawer area will not change

- No adjustable shelves
- Full-height 1/2" thick back
- Right or Left determined by side with doors

- Apply **RDV18** modification for 18" depth, for other allowable depths use **RD** or **ID** modifications
- Apply **ITO** modification for tip-out tray



CABINET CONFIGURATIONS		
Cabinet Width	Sink/Door area width	Drawer area width
Single Door cabinets		
24	15"	9"
27	16-1/2"	10-1/2"
30	18"	12"
33	19-1/2"	13-1/2"
36	21"	15"
Note: these are <u>not</u> door or drawer front dimensions (refer to pg V-1)		

Vanity VSD1DR2DWR	Vanity Mid VMSD1DR2DWR	Vanity Grand VGS1DR2DWR
VS3DO24*	VMS3DO24*	VGS3DO24*
VS3DO27*	VMS3DO27*	VGS3DO27*
VS3DO30*	VMS3DO30*	VGS3DO30*
VS3DO33*	VMS3DO33*	VGS3DO33*
VS3DO36*	VMS3DO36*	VGS3DO36*

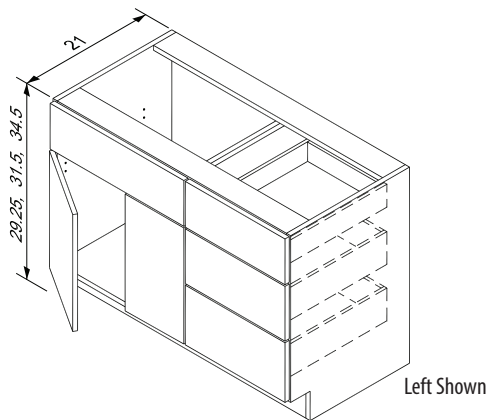
MODIFICATION LIMITS

Width* 36"DD – 48"

Height 23" – 34-1/2"

Depth 12" – 30"

* Width reduction taken from door area only, drawer area will not change



CABINET CONFIGURATIONS		
Cabinet Width	Sink/Door area width	Drawer area width
Double Door cabinets		
36DD	24"	12"
39	24"	15"
42	24"	18"
45	27"	18"
48	30"	18"
Note: these are <u>not</u> door or drawer front dimensions (refer to pg V-1)		

Vanity VSD2DR3DWR	Vanity Mid VMSD2DR3DWR	Vanity Grand VGS2DR3DWR
VS3D36DD*	VMS3D36DD*	VGS3D36DD*
VS3D39*	VMS3D39*	VGS3D39*
VS3D42*	VMS3D42*	VGS3D42*
VS3D45*	VMS3D45*	VGS3D45*
VS3D48*	VMS3D48*	VGS3D48*

Vanity Cabinets

* L or R required

	M0	M1	M2	M3	M3A	M4	M4A	M5	M5A	M6	M6A	M7	M8	M9	M10	M11	M11A	M13	M15	M16
VANITY SINK 3-DRAWER																				
VS3DO24*	559	699	833	929	929	929	929	982	982	982	982	1029	1075	1123	1213	1187	1187	1303	1382	1567
VS3DO27*	574	717	860	975	975	975	975	1033	1033	1033	1033	1082	1131	1182	1277	1267	1267	1389	1476	1706
VS3DO30*	589	736	887	1019	1019	1019	1019	1084	1084	1084	1084	1136	1187	1240	1340	1347	1347	1477	1569	1845
VS3DO33*	614	767	924	1072	1072	1072	1072	1143	1143	1143	1143	1197	1253	1308	1413	1437	1437	1576	1674	1994
VS3DO36*	636	795	962	1128	1128	1128	1128	1204	1204	1204	1204	1262	1321	1379	1491	1526	1526	1676	1779	2145
VS3D36DD*	870	1087	1274	1394	1394	1394	1394	1531	1531	1531	1531	1606	1681	1755	1896	1891	1891	2076	2205	2488
VS3D39*	891	1114	1309	1437	1437	1437	1437	1591	1591	1591	1591	1669	1745	1823	1969	1979	1979	2173	2308	2642
VS3D42*	932	1165	1358	1509	1509	1509	1509	1664	1664	1664	1664	1745	1827	1906	2059	2089	2089	2295	2437	2805
VS3D45*	946	1182	1392	1537	1537	1537	1537	1723	1723	1723	1723	1808	1891	1976	2135	2178	2178	2391	2541	2961
VS3D48*	967	1209	1428	1596	1596	1596	1596	1782	1782	1782	1782	1869	1957	2044	2208	2268	2268	2490	2646	3116
VANITY MID SINK 3-DRAWER																				
VMS3DO24*	612	765	912	1018	1018	1018	1018	1075	1075	1075	1075	1128	1179	1231	1331	1303	1303	1428	1516	1720
VMS3DO27*	628	785	941	1067	1067	1067	1067	1131	1131	1131	1131	1187	1241	1296	1401	1389	1389	1525	1618	1872
VMS3DO30*	645	806	972	1118	1118	1118	1118	1187	1187	1187	1187	1245	1303	1360	1470	1477	1477	1620	1721	2025
VMS3DO33*	672	840	1013	1175	1175	1175	1175	1253	1253	1253	1253	1314	1374	1435	1550	1576	1576	1730	1837	2190
VMS3DO36*	696	870	1053	1236	1236	1236	1236	1321	1321	1321	1321	1384	1448	1513	1635	1676	1676	1838	1952	2356
VMS3D36DD*	954	1192	1398	1530	1530	1530	1530	1681	1681	1681	1681	1762	1844	1927	2081	2076	2076	2279	2422	2732
VMS3D39*	977	1221	1437	1576	1576	1576	1576	1745	1745	1745	1745	1832	1916	2001	2162	2173	2173	2386	2536	2902
VMS3D42*	1022	1277	1491	1657	1657	1657	1657	1827	1827	1827	1827	1915	2005	2093	2261	2295	2295	2519	2676	3082
VMS3D45*	1037	1296	1528	1686	1686	1686	1686	1891	1891	1891	1891	1984	2076	2169	2344	2391	2391	2625	2790	3253
VMS3D48*	1061	1326	1567	1752	1752	1752	1752	1957	1957	1957	1957	2052	2147	2244	2424	2490	2490	2736	2907	3423
VANITY GRAND SINK 3-DRAWER																				
VGS3DO24*	663	829	990	1107	1107	1107	1107	1170	1170	1170	1170	1226	1282	1340	1448	1416	1416	1554	1650	1872
VGS3DO27*	682	853	1023	1160	1160	1160	1160	1231	1231	1231	1231	1291	1350	1409	1523	1511	1511	1659	1762	2039
VGS3DO30*	700	875	1057	1214	1214	1214	1214	1292	1292	1292	1292	1355	1416	1479	1598	1608	1608	1764	1874	2206
VGS3DO33*	729	911	1101	1277	1277	1277	1277	1364	1364	1364	1364	1430	1496	1562	1688	1715	1715	1883	2000	2385
VGS3DO36*	757	946	1145	1345	1345	1345	1345	1437	1437	1437	1437	1506	1576	1645	1777	1823	1823	2001	2127	2566
VGS3D36DD*	1037	1296	1520	1664	1664	1664	1664	1830	1830	1830	1830	1918	2008	2098	2266	2261	2261	2483	2637	2976
VGS3D39*	1062	1328	1562	1715	1715	1715	1715	1901	1901	1901	1901	1993	2086	2179	2354	2366	2366	2598	2761	3163
VGS3D42*	1111	1389	1621	1803	1803	1803	1803	1988	1988	1988	1988	2086	2183	2279	2463	2498	2498	2744	2917	3358
VGS3D45*	1127	1409	1662	1835	1835	1835	1835	2059	2059	2059	2059	2161	2261	2363	2552	2605	2605	2861	3041	3545
VGS3D48*	1154	1443	1704	1906	1906	1906	1906	2130	2130	2130	2130	2235	2339	2444	2641	2712	2712	2980	3166	3730

Vanity Cabinets

* L or R required

VANITY MID & GRAND SINK 4-DRAWER

Note: Single door and double door cabinets are not configured the same. Refer to chart for width of door and drawer areas.

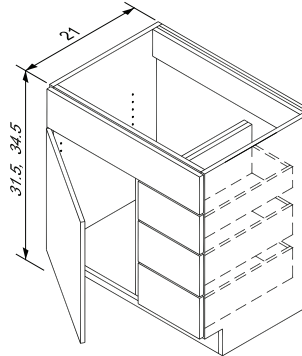
MODIFICATION LIMITS

Width* 24" – 36"
 Height 29" – 45-1/4"
 Depth 12" – 30"

* Width reduction taken equally from door and drawer areas

- No adjustable shelves
- Full-height 1/2" thick back
- Right or Left determined by side with doors

- Apply **RDV18** modification for 18" depth, for other allowable depths use **RD** or **ID** modifications
- Apply **ITO** modification for tip-out tray



Left Shown

CABINET CONFIGURATIONS		
Cabinet Width	Sink/Door area width	Drawer area width
Single Door cabinets		
24	15"	9"
27	16-1/2"	10-1/2"
30	18"	12"
33	19-1/2"	13-1/2"
36	21"	15"
Note: these are <u>not</u> door or drawer front dimensions (refer to pg V-1)		

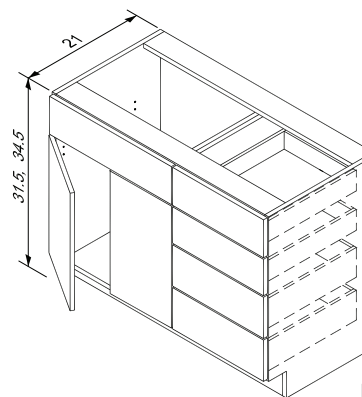
Vanity Mid	Vanity Grand
<u>VMSD1DR3DWR</u>	<u>VGSD1DR3DWR</u>
VMS4DO24*	VGS4DO24*
VMS4DO27*	VGS4DO27*
VMS4DO30*	VGS4DO30*
VMS4DO33*	VGS4DO33*
VMS4DO36*	VGS4DO36*

MODIFICATION LIMITS

Width* 36" DD – 48"
 Height 29" – 45-1/4"
 Depth 12" – 30"

* Width reduction taken from door area only, drawer area will not change

CABINET CONFIGURATIONS		
Cabinet Width	Sink/Door area width	Drawer area width
Double Door cabinets		
36DD	24"	12"
39	24"	15"
42	24"	18"
45	27"	18"
48	30"	18"
Note: these are <u>not</u> door or drawer front dimensions (refer to pg V-1)		



Left Shown

Vanity Mid	Vanity Grand
<u>VMSD2DR4DWR</u>	<u>VGSD2DR4DWR</u>
VMS4D36DD*	VGS4D36DD*
VMS4D39*	VGS4D39*
VMS4D42*	VGS4D42*
VMS4D45*	VGS4D45*
VMS4D48*	VGS4D48*

Vanity Cabinets

* L or R required

	M0	M1	M2	M3	M3A	M4	M4A	M5	M5A	M6	M6A	M7	M8	M9	M10	M11	M11A	M13	M15	M16
VANITY MID SINK 4-DRAWER																				
VMS4DO24*	680	850	997	1102	1102	1102	1102	1160	1160	1160	1160	1216	1272	1328	1435	1387	1387	1521	1615	1805
VMS4DO27*	696	870	1026	1152	1152	1152	1152	1216	1216	1216	1216	1275	1335	1392	1504	1474	1474	1618	1718	1957
VMS4DO30*	712	890	1057	1202	1202	1202	1202	1272	1272	1272	1272	1335	1396	1457	1574	1562	1562	1713	1820	2110
VMS4DO33*	739	924	1097	1260	1260	1260	1260	1338	1338	1338	1338	1403	1467	1531	1655	1660	1660	1823	1935	2274
VMS4DO36*	764	955	1138	1321	1321	1321	1321	1406	1406	1406	1406	1474	1542	1610	1738	1760	1760	1932	2052	2441
VMS4D36DD*	1022	1277	1482	1615	1615	1615	1615	1766	1766	1766	1766	1852	1937	2023	2186	2161	2161	2373	2520	2817
VMS4D39*	1045	1306	1521	1660	1660	1660	1660	1830	1830	1830	1830	1920	2010	2098	2266	2257	2257	2480	2634	2987
VMS4D42*	1090	1362	1576	1742	1742	1742	1742	1911	1911	1911	1911	2005	2098	2191	2368	2379	2379	2612	2776	3166
VMS4D45*	1105	1381	1613	1771	1771	1771	1771	1976	1976	1976	1976	2073	2169	2266	2447	2476	2476	2719	2890	3338
VMS4D48*	1129	1411	1652	1837	1837	1837	1837	2042	2042	2042	2042	2142	2240	2340	2529	2575	2575	2829	3005	3507
VANITY GRAND SINK 4-DRAWER																				
VGS4DO24*	731	914	1075	1192	1192	1192	1192	1255	1255	1255	1255	1316	1375	1437	1552	1501	1501	1647	1749	1957
VGS4DO27*	750	938	1107	1245	1245	1245	1245	1316	1316	1316	1316	1379	1443	1506	1628	1596	1596	1752	1861	2123
VGS4DO30*	768	960	1141	1299	1299	1299	1299	1377	1377	1377	1377	1443	1509	1577	1704	1693	1693	1857	1972	2291
VGS4DO33*	797	996	1186	1362	1362	1362	1362	1448	1448	1448	1448	1518	1589	1659	1793	1799	1799	1976	2100	2469
VGS4DO36*	825	1031	1230	1430	1430	1430	1430	1521	1521	1521	1521	1596	1669	1743	1884	1908	1908	2095	2225	2651
VGS4D36DD*	1105	1381	1604	1749	1749	1749	1749	1915	1915	1915	1915	2008	2101	2195	2371	2346	2346	2576	2737	3061
VGS4D39*	1130	1413	1647	1799	1799	1799	1799	1986	1986	1986	1986	2083	2179	2276	2459	2451	2451	2692	2861	3248
VGS4D42*	1179	1474	1706	1888	1888	1888	1888	2073	2073	2073	2073	2174	2276	2378	2569	2583	2583	2837	3015	3443
VGS4D45*	1195	1494	1747	1920	1920	1920	1920	2144	2144	2144	2144	2249	2354	2459	2656	2690	2690	2954	3139	3629
VGS4D48*	1222	1528	1789	1991	1991	1991	1991	2215	2215	2215	2215	2324	2432	2541	2744	2797	2797	3073	3266	3814

Vanity Cabinets

VANITY BOOKCASE

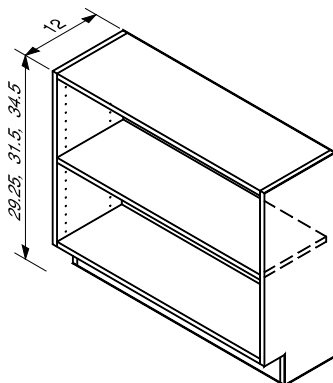
MODIFICATION LIMITS

Width	12" – 36"
Height	28-1/2" – 60"
Depth	9" – 24"

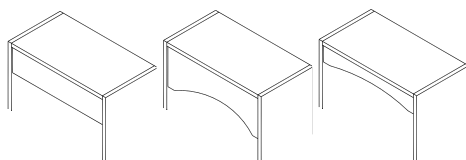
Overall Cabinet Height	Qty of Adj. Shelves
28-1/2" – 30"	1
31" – 60"	2

- Cabinet is 12" deep
- Interior is finished and constructed of edge-banded 3/4" material that matches doors on other cabinets
- Exterior ends not finished
- Shipped with clear locking shelf clips and nickel shelf clips

- See chart for number of adjustable shelves
- Loose shelves and shelf clips available (see Accessory section)
- Apply **FTK** modification for flush toekick
- Clear material is used when Rustic wood species is ordered



Optional Top Rail Valances (See Modification section)



Vanity VBC	Vanity Mid VMBC	Vanity Grand VGBC
VBC12	VMBC12	VGBC12
VBC15	VMBC15	VGBC15
VBC18	VMBC18	VGBC18
VBC21	VMBC21	VGBC21
VBC24	VMBC24	VGBC24
VBC27	VMBC27	VGBC27
VBC30	VMBC30	VGBC30
VBC33	VMBC33	VGBC33
VBC36	VMBC36	VGBC36

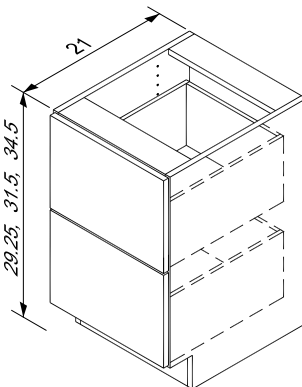
VANITY 2-DRAWER

MODIFICATION LIMITS

Width	9" – 36"
Height	17" – 34-1/2"
Depth	12" – 30"

- If being used as file drawers, recommend upgrading to (HWDWR) drawer option
- Apply **RDV18** modification for 18" depth, for other allowable depths use **RD** or **ID** modifications

- Cabinet height reductions made to both drawer fronts equally



Vanity V2D	Vanity Mid VM2D	Vanity Grand VG2D
V2D18	VM2D18	VG2D18
V2D21	VM2D21	VG2D21
V2D24	VM2D24	VG2D24
V2D27	VM2D27	VG2D27
V2D30	VM2D30	VG2D30
V2D33	VM2D33	VG2D33
V2D36	VM2D36	VG2D36

Note: If using for file drawers;

- Height of file frames vary but most are approximately 10-1/2" tall (with tabs)
- Clearance height of drawer: (from bottom of drawer to top of opening)
 Vanity: 9-9/16" top drawer; 10-11/16" bottom drawer
 Vanity-Mid: 10-11/16" top drawer; 11-7/16" bottom drawer
 Vanity-Grand: 12-3/16" top drawer; 12-15/16" bottom drawer

Vanity Cabinets

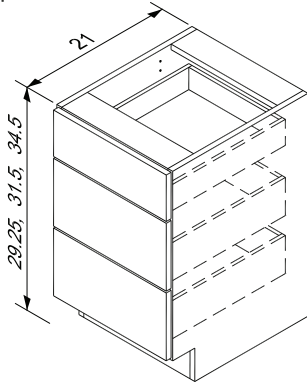
	M0	M1	M2	M3	M3A	M4	M4A	M5	M5A	M6	M6A	M7	M8	M9	M10	M11	M11A	M13	M15	M16
VANITY BOOKCASE																				
VBC12	510	510	510	510	510	510	510	510	510	510	510	510	510	510	553	510	510	510	510	510
VBC15	543	543	543	543	543	543	543	543	543	543	543	543	543	543	543	543	543	543	543	543
VBC18	575	575	575	575	575	575	575	575	575	575	575	575	575	575	575	575	575	575	575	575
VBC21	605	605	605	605	605	605	605	605	605	605	605	605	605	605	605	605	605	605	605	605
VBC24	639	639	639	639	639	639	639	639	639	639	639	639	639	639	639	639	639	639	639	639
VBC27	672	672	672	672	672	672	672	672	672	672	672	672	672	672	672	672	672	672	672	672
VBC30	704	704	704	704	704	704	704	704	704	704	704	704	704	704	704	704	704	704	704	704
VBC33	736	736	736	736	736	736	736	736	736	736	736	736	736	736	736	736	736	736	736	736
VBC36	768	768	768	768	768	768	768	768	768	768	768	768	768	768	768	768	768	768	768	768
VANITY MID BOOKCASE																				
VMBC12	538	538	538	538	538	538	538	538	538	538	538	538	538	538	582	538	538	538	538	538
VMBC15	572	572	572	572	572	572	572	572	572	572	572	572	572	572	572	572	572	572	572	572
VMBC18	605	605	605	605	605	605	605	605	605	605	605	605	605	605	605	605	605	605	605	605
VMBC21	638	638	638	638	638	638	638	638	638	638	638	638	638	638	638	638	638	638	638	638
VMBC24	673	673	673	673	673	673	673	673	673	673	673	673	673	673	673	673	673	673	673	673
VMBC27	707	707	707	707	707	707	707	707	707	707	707	707	707	707	707	707	707	707	707	707
VMBC30	741	741	741	741	741	741	741	741	741	741	741	741	741	741	741	741	741	741	741	741
VMBC33	775	775	775	775	775	775	775	775	775	775	775	775	775	775	775	775	775	775	775	775
VMBC36	809	809	809	809	809	809	809	809	809	809	809	809	809	809	809	809	809	809	809	809
VANITY GRAND BOOKCASE																				
VGBC12	563	563	563	563	563	563	563	563	563	563	563	563	563	563	609	563	563	563	563	563
VGBC15	599	599	599	599	599	599	599	599	599	599	599	599	599	599	599	599	599	599	599	599
VGBC18	634	634	634	634	634	634	634	634	634	634	634	634	634	634	634	634	634	634	634	634
VGBC21	668	668	668	668	668	668	668	668	668	668	668	668	668	668	668	668	668	668	668	668
VGBC24	706	706	706	706	706	706	706	706	706	706	706	706	706	706	706	706	706	706	706	706
VGBC27	741	741	741	741	741	741	741	741	741	741	741	741	741	741	741	741	741	741	741	741
VGBC30	777	777	777	777	777	777	777	777	777	777	777	777	777	777	777	777	777	777	777	777
VGBC33	812	812	812	812	812	812	812	812	812	812	812	812	812	812	812	812	812	812	812	812
VGBC36	848	848	848	848	848	848	848	848	848	848	848	848	848	848	848	848	848	848	848	848
VANITY 2-DRAWER																				
V2D18	542	678	762	875	875	875	875	875	875	875	875	1045	1045	875	946	1050	1050	1045	1045	1365
V2D21	575	719	811	946	946	946	946	946	946	946	946	1116	1116	946	1023	1150	1150	1116	1116	1528
V2D24	608	760	858	1018	1018	1018	1018	1018	1018	1018	1018	1187	1187	1018	1099	1252	1252	1187	1187	1691
V2D27	690	863	1116	1155	1155	1157	1157	1133	1133	1133	1133	1211	1255	1272	1358	1384	1459	1521	1727	1927
V2D30	723	904	1186	1225	1225	1226	1226	1201	1201	1201	1201	1282	1330	1350	1442	1469	1548	1615	1837	2049
V2D33	756	945	1253	1292	1292	1296	1296	1269	1269	1269	1269	1355	1404	1428	1528	1554	1637	1711	1947	2173
V2D36	790	987	1323	1362	1362	1365	1365	1335	1335	1335	1335	1426	1479	1504	1611	1638	1727	1806	2057	2295
VANITY MID 2-DRAWER																				
VM2D18	594	743	833	958	958	958	958	958	958	958	958	1128	1128	958	1036	1150	1150	1128	1128	1498
VM2D21	630	787	887	1036	1036	1036	1036	1036	1036	1036	1036	1206	1206	1036	1119	1260	1260	1206	1206	1677
VM2D24	665	831	940	1116	1116	1116	1116	1116	1116	1116	1116	1286	1286	1116	1206	1372	1372	1286	1286	1855
VM2D27	760	950	1231	1272	1272	1274	1274	1247	1247	1247	1247	1333	1382	1401	1496	1525	1608	1676	1903	2123
VM2D30	797	996	1306	1348	1348	1350	1350	1321	1321	1321	1321	1413	1464	1486	1587	1616	1704	1779	2025	2259
VM2D33	832	1040	1382	1425	1425	1428	1428	1398	1398	1398	1398	1494	1548	1574	1682	1713	1806	1886	2147	2395
VM2D36	870	1087	1457	1501	1501	1504	1504	1472	1472	1472	1472	1574	1632	1659	1776	1805	1903	1989	2266	2529
VANITY GRAND 2-DRAWER																				
VG2D18	711	889	1096	1140	1140	1138	1138	1118	1118	1118	1118	1194	1238	1248	1328	1358	1433	1487	1681	1874
VG2D21	750	938	1177	1223	1223	1223	1223	1199	1199	1199	1199	1280	1328	1345	1433	1462	1542	1601	1815	2025
VG2D24	790	987	1262	1306	1306	1306	1306	1280	1280	1280	1280	1369	1418	1437	1533	1562	1647	1715	1945	2169
VG2D27	830	1038	1345	1391	1391	1392	1392	1364	1364	1364	1364	1457	1509	1531	1635	1665	1755	1830	2079	2320
VG2D30	870	1087	1426	1472	1472	1476	1476	1445	1445	1445	1445	1543	1601	1625	1735	1767	1864	1945	2212	2468
VG2D33	909	1136	1509	1557	1557	1560	1560	1528	1528	1528	1528	1632	1693	1720	1838	1871	1972	2061	2346	2617
VG2D36	950	1187	1593	1640	1640	1643	1643	1610	1610	1610	1610	1720	1782	1813	1939	1972	2079	2174	2476	2763

Vanity Cabinets

VANITY 3-DRAWER

MODIFICATION LIMITS

Width 9" – 36"
 Height 23" – 40-1/2"
 Depth 12" – 30"



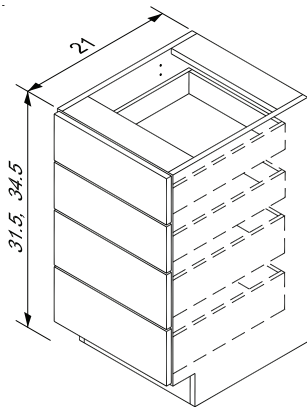
- Full 1/2" back
- Apply **RDV18** modification for 18" depth, for other allowable depths use **RD** or **ID** modifications
- Apply **2DF1** modification for two horizontal drawers

Vanity V3D	Vanity Mid VM3D	Vanity Grand VG3D
V3D12	VM3D12	VG3D12
V3D15	VM3D15	VG3D15
V3D18	VM3D18	VG3D18
V3D21	VM3D21	VG3D21
V3D24	VM3D24	VG3D24
V3D27	VM3D27	VG3D27
V3D30	VM3D30	VG3D30
V3D33	VM3D33	VG3D33
V3D36	VM3D36	VG3D36

VANITY MID & GRAND 4-DRAWER

MODIFICATION LIMITS

Width 9" – 36"
 Height 29" – 46-1/2"
 Depth 12" – 30"



- Full 1/2" back
- Apply **RDV18** modification for 18" depth, for other allowable depths use **RD** or **ID** modifications
- Height reduction changes bottom two drawers equally, top two drawers will not change
- Apply **2DF1** modification for two horizontal drawers

Vanity Mid VM4D	Vanity Grand VG4D
VM4D12	VG4D12
VM4D15	VG4D15
VM4D18	VG4D18
VM4D21	VG4D21
VM4D24	VG4D24
VM4D27	VG4D27
VM4D30	VG4D30
VM4D33	VG4D33
VM4D36	VG4D36

Vanity Cabinets

	M0	M1	M2	M3	M3A	M4	M4A	M5	M5A	M6	M6A	M7	M8	M9	M10	M11	M11A	M13	M15	M16
VANITY 3-DRAWER																				
V3D12	456	570	656	709	709	709	709	709	709	709	709	963	963	709	767	875	875	963	963	992
V3D15	489	611	706	782	782	782	782	782	782	782	782	1036	1036	782	845	985	985	1036	1036	1155
V3D18	521	651	753	853	853	853	853	853	853	853	853	1107	1107	853	923	1026	1026	1107	1107	1318
V3D21	554	692	802	924	924	924	924	924	924	924	924	1179	1179	924	999	1202	1202	1179	1179	1481
V3D24	586	733	850	996	996	996	996	996	996	996	996	1250	1250	996	1075	1309	1309	1250	1250	1643
V3D27	618	773	897	1067	1067	1067	1067	1067	1067	1067	1067	1321	1321	1067	1153	1418	1418	1321	1321	1805
V3D30	650	812	946	1140	1140	1140	1140	1140	1140	1140	1140	1394	1394	1140	1231	1526	1526	1394	1394	1967
V3D33	682	853	994	1211	1211	1211	1211	1211	1211	1211	1211	1465	1465	1211	1309	1635	1635	1465	1465	2130
V3D36	715	894	1041	1282	1282	1282	1282	1282	1282	1282	1282	1537	1537	1282	1386	1743	1743	1537	1537	2293
VANITY MID 3-DRAWER																				
VM3D12	482	602	690	750	750	750	750	750	750	750	750	1004	1004	750	811	899	899	1004	1004	1060
VM3D15	517	646	743	828	828	828	828	828	828	828	828	1082	1082	828	895	1013	1013	1082	1082	1235
VM3D18	551	689	794	904	904	904	904	904	904	904	904	1158	1158	904	977	1091	1091	1158	1158	1409
VM3D21	586	733	846	980	980	980	980	980	980	980	980	1235	1235	980	1060	1236	1236	1235	1235	1584
VM3D24	620	775	897	1057	1057	1057	1057	1057	1057	1057	1057	1311	1311	1057	1141	1348	1348	1311	1311	1759
VM3D27	655	819	948	1133	1133	1133	1133	1133	1133	1133	1133	1387	1387	1133	1225	1460	1460	1387	1387	1932
VM3D30	690	862	1001	1211	1211	1211	1211	1211	1211	1211	1211	1465	1465	1211	1309	1572	1572	1465	1465	2106
VM3D33	723	904	1052	1287	1287	1287	1287	1287	1287	1287	1287	1542	1542	1287	1391	1684	1684	1542	1542	2279
VM3D36	758	948	1102	1364	1364	1364	1364	1364	1364	1364	1364	1618	1618	1364	1474	1796	1796	1618	1618	2454
VANITY GRAND 3-DRAWER																				
VG3D12	507	634	724	790	790	790	790	790	790	790	790	1045	1045	790	855	921	921	1045	1045	1128
VG3D15	544	680	780	872	872	872	872	872	872	872	872	1126	1126	872	943	1038	1038	1126	1126	1314
VG3D18	581	726	834	955	955	955	955	955	955	955	955	1209	1209	955	1033	1153	1153	1209	1209	1501
VG3D21	618	772	889	1036	1036	1036	1036	1036	1036	1036	1036	1291	1291	1036	1119	1269	1269	1291	1291	1686
VG3D24	654	817	943	1118	1118	1118	1118	1118	1118	1118	1118	1372	1372	1118	1208	1386	1386	1372	1372	1872
VG3D27	690	863	999	1199	1199	1199	1199	1199	1199	1199	1199	1453	1453	1199	1296	1501	1501	1453	1453	2057
VG3D30	727	909	1053	1280	1280	1280	1280	1280	1280	1280	1280	1535	1535	1280	1384	1616	1616	1535	1535	2244
VG3D33	764	955	1107	1364	1364	1364	1364	1364	1364	1364	1364	1618	1618	1364	1474	1733	1733	1618	1618	2429
VG3D36	801	1001	1162	1445	1445	1445	1445	1445	1445	1445	1445	1699	1699	1445	1562	1849	1849	1699	1699	2615
VANITY MID 4-DRAWER																				
VM4D12	540	675	780	831	831	831	831	831	831	831	831	1170	1170	831	899	953	953	1170	1170	1124
VM4D15	579	724	836	911	911	911	911	911	911	911	911	1250	1250	911	984	1067	1067	1250	1250	1308
VM4D18	616	770	892	994	994	994	994	994	994	994	994	1333	1333	994	1074	1182	1182	1333	1333	1487
VM4D21	654	817	948	1074	1074	1074	1074	1074	1074	1074	1074	1413	1413	1074	1160	1294	1294	1413	1413	1667
VM4D24	692	865	1002	1155	1155	1155	1155	1155	1155	1155	1155	1494	1494	1155	1248	1408	1408	1494	1494	1847
VM4D27	729	911	1058	1236	1236	1236	1236	1236	1236	1236	1236	1576	1576	1236	1336	1521	1521	1576	1576	2027
VM4D30	768	960	1114	1316	1316	1316	1316	1316	1316	1316	1316	1655	1655	1316	1423	1635	1635	1655	1655	2208
VM4D33	805	1006	1169	1398	1398	1398	1398	1398	1398	1398	1398	1737	1737	1398	1509	1749	1749	1737	1737	2386
VM4D36	842	1053	1223	1479	1479	1479	1479	1479	1479	1479	1479	1818	1818	1479	1598	1862	1862	1818	1818	2568
VANITY GRAND 4-DRAWER																				
VG4D12	567	709	819	872	872	872	872	872	872	872	872	1211	1211	872	943	1001	1001	1211	1211	1182
VG4D15	608	760	879	957	957	957	957	957	957	957	957	1296	1296	957	1035	1121	1121	1296	1296	1374
VG4D18	647	809	936	1043	1043	1043	1043	1043	1043	1043	1043	1382	1382	1043	1128	1241	1241	1382	1382	1564
VG4D21	686	858	996	1128	1128	1128	1128	1128	1128	1128	1128	1467	1467	1128	1219	1360	1360	1467	1467	1752
VG4D24	726	907	1053	1213	1213	1213	1213	1213	1213	1213	1213	1552	1552	1213	1311	1479	1479	1552	1552	1942
VG4D27	766	957	1111	1299	1299	1299	1299	1299	1299	1299	1299	1638	1638	1299	1404	1599	1599	1638	1638	2132
VG4D30	806	1007	1170	1384	1384	1384	1384	1384	1384	1384	1384	1723	1723	1384	1496	1718	1718	1723	1723	2322
VG4D33	846	1057	1228	1469	1469	1469	1469	1469	1469	1469	1469	1808	1808	1469	1587	1838	1838	1808	1808	2510
VG4D36	885	1106	1286	1555	1555	1555	1555	1555	1555	1555	1555	1894	1894	1555	1681	1957	1957	1894	1894	2700

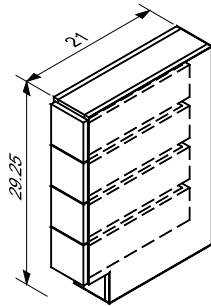
VANITY APOTHECARY DRAWER

MODIFICATION LIMITS

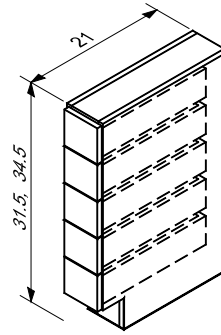
Width 6" – 9"
 Height No Height Mods
 Depth 12" – 30"

- Finished ends and interior
- Available with all edge details
- Sides are 3/4" thick
- Slab fronts with horizontal grain only
- Will require knobs or pulls

- Drawer fronts are equal in height
- Drawer boxes are friction fit, hardwood dovetail (HDWDR)
- Drawer boxes in cabinets 6-1/2" W or less use rabbeted joint construction



VAD
 VAD06
 VAD09



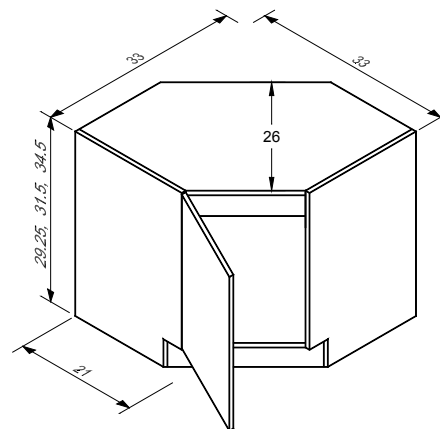
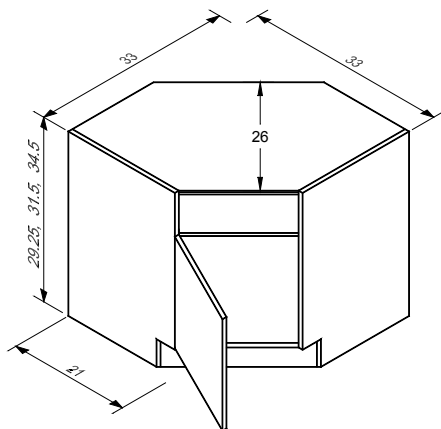
VMAD	VGAD
VMAD06	VGAD06
VMAD09	VGAD09

VANITY SINK ANGLE

MODIFICATION LIMITS

Width No Width Mods
 Height No Height Mods
 Depth No Depth Mods

- No adjustable shelves. Full 1/2" thick back
- Apply ITO modification for tip-out tray



Vanity	Vanity Mid	Vanity Grand
VSA33	VMSA33	VGSA33
VSA33*	VMSA33*	VGSA33*

Vanity	Vanity Mid	Vanity Grand
FVSA33	FVMSA33	FVGS33
FVSA33*	FVMSA33*	FVGS33*

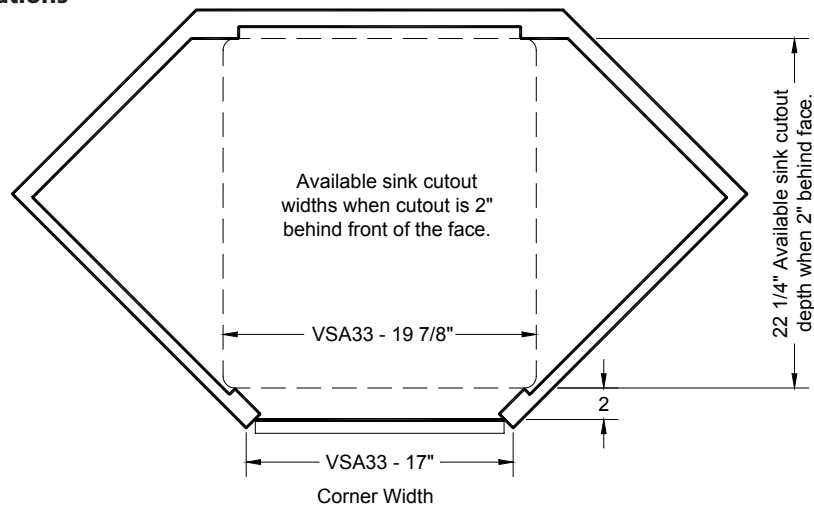
Vanity Cabinets

* L or R required

	M0	M1	M2	M3	M3A	M4	M4A	M5	M5A	M6	M6A	M7	M8	M9	M10	M11	M11A	M13	M15	M16
VANITY APOTHECARY DRAWER																				
VAD06	1226	1226	1226	1226	1226	1226	1226	1226	1226	1226	1226	1226	1226	1226	1226	1226	1226	1226	1226	1226
VAD09	1340	1340	1340	1340	1340	1340	1340	1340	1340	1340	1340	1340	1340	1340	1340	1340	1340	1340	1340	1340
VANITY MID APOTHECARY DRAWER																				
VMAD06	1287	1287	1287	1287	1287	1287	1287	1287	1287	1287	1287	1287	1287	1287	1287	1287	1287	1287	1287	1287
VMAD09	1420	1420	1420	1420	1420	1420	1420	1420	1420	1420	1420	1420	1420	1420	1420	1420	1420	1420	1420	1420
VANITY GRAND APOTHECARY DRAWER																				
VGAD06	1325	1325	1325	1325	1325	1325	1325	1325	1325	1325	1325	1325	1325	1325	1325	1325	1325	1325	1325	1325
VGAD09	1464	1464	1464	1464	1464	1464	1464	1464	1464	1464	1464	1464	1464	1464	1464	1464	1464	1464	1464	1464

	M0	M1	M2	M3	M3A	M4	M4A	M5	M5A	M6	M6A	M7	M8	M9	M10	M11	M11A	M13	M15	M16
VANITY SINK ANGLE (V, M, G)																				
VSA33*	567	709	804	877	877	877	877	958	958	958	958	1004	1050	1096	1184	1119	1119	1226	1303	1465
VMSA33*	590	738	838	912	912	912	912	1009	1009	1009	1009	1057	1106	1153	1247	1199	1199	1316	1396	1601
VGSA33*	614	767	870	948	948	948	948	1060	1060	1060	1060	1111	1162	1211	1309	1280	1280	1404	1491	1737
FULL VANITY SINK ANGLE (V, M, G)																				
FVSA33*	542	677	768	836	836	836	836	914	914	914	914	958	1001	1045	1130	1068	1068	1170	1241	1398
FVMSA33*	565	706	799	872	872	872	872	962	962	962	962	1009	1055	1101	1189	1145	1145	1255	1331	1526
FVGSA33*	586	733	831	906	906	906	906	1011	1011	1011	1011	1060	1107	1157	1250	1221	1221	1340	1421	1655

Sink Angle Cutout Specifications



Vanity Cabinets

**LL, LR, RL or RR required

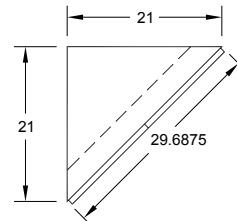
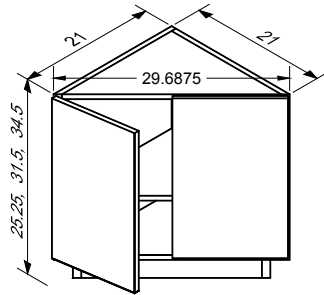
FULL VANITY END ANGLE

- One 3/4" thick, fixed full-depth shelf
- Angle between back or side and face of cabinet is 45°

- Door opens 103° from face of cabinet
- Reveal at outside of doors is 9/16"

MODIFICATION LIMITS

Width No width mods
 Height 16 1/2" – 46 1/2"
 Depth No depth mods



Top View

Vanity	Vanity Mid	Vanity Grand
FVEA21	FVMEA21	FVGEA21
FVEA21	FVMEA21	FVGEA21

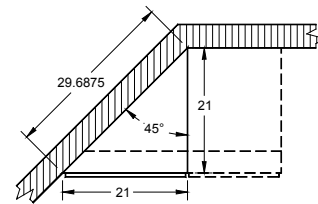
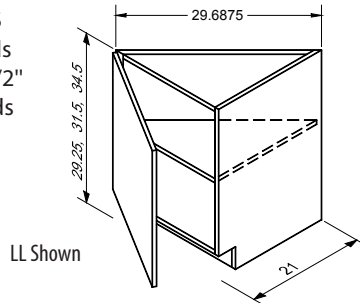
FULL VANITY ANGLE BACK

- One 3/4" thick, adjustable full-depth shelf
- Reveal at outside of doors is 9/16" on 45° side and 1/16" on 90° side

- First "L" or "R" designates side with angled back
- Second "L" or "R" indicates door hinging. (See next page)

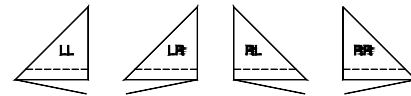
MODIFICATION LIMITS

Width No width mods
 Height 16 1/2" – 46 1/2"
 Depth No depth mods



Top View

Vanity	Vanity Mid	Vanity Grand
FVAB21	FVMAB21	FVGAB21
FVAB21**	FVMAB21**	FVGAB21**



Primary Entry

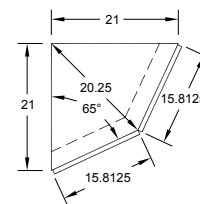
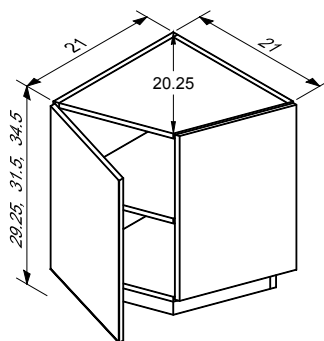
FULL VANITY END CABINET

- One 3/4" thick, fixed full-depth shelf
- Door opens 125° from face of cabinet
- Reveal at outside of doors is 7/32"

- Angle between back or side and face of cabinet is 65°

MODIFICATION LIMITS

Width No width mods
 Height 16 1/2" – 46 1/2"
 Depth No depth mods



Top View

Vanity	Vanity Mid	Vanity Grand
FVEC21	FVMEC21	FVGEC21
FVEC21	FVMEC21	FVGEC21

Vanity Cabinets

**LL, LR, RL or RR required

	M0	M1	M2	M3	M3A	M4	M4A	M5	M5A	M6	M6A	M7	M8	M9	M10	M11	M11A	M13	M15	M16	
FULL VANITY END ANGLE (V, M, G)																					
FVEA21	632	790	912	1009	1009	1009	1009	1141	1141	1141	1141	1196	1252	1306	1411	1387	1387	1523	1616	1913	
FVMEA21	698	873	1009	1118	1118	1118	1118	1264	1264	1264	1264	1325	1386	1447	1564	1538	1538	1688	1791	2122	
FVGEA21	666	833	962	1063	1063	1063	1063	1202	1202	1202	1202	1260	1319	1377	1487	1464	1464	1604	1704	2017	

	M0	M1	M2	M3	M3A	M4	M4A	M5	M5A	M6	M6A	M7	M8	M9	M10	M11	M11A	M13	M15	M16	
FULL VANITY ANGLE BACK (V, M, G)																					
FVAB21**	829	1036	1170	1199	1199	1180	1180	1308	1308	1308	1308	1398	1448	1411	1476	1537	1620	1598	1745	1945	
FVGAB21**	866	1082	1226	1262	1262	1243	1243	1389	1389	1389	1389	1484	1538	1504	1577	1638	1727	1711	1877	2093	
FVMAB21**	856	1070	1213	1245	1245	1228	1228	1369	1369	1369	1369	1462	1516	1482	1552	1613	1701	1682	1844	2056	

	M0	M1	M2	M3	M3A	M4	M4A	M5	M5A	M6	M6A	M7	M8	M9	M10	M11	M11A	M13	M15	M16	
FULL VANITY END CABINET (V, M, G)																					
FVEC21	813	1016	1174	1299	1299	1299	1299	1472	1472	1472	1472	1543	1615	1686	1822	1791	1791	1967	2089	2474	
FVGEC21	898	1123	1299	1440	1440	1440	1440	1630	1630	1630	1630	1710	1789	1869	2020	1986	1986	2181	2317	2744	
FVMEC21	854	1068	1236	1370	1370	1370	1370	1550	1550	1550	1550	1626	1701	1777	1920	1889	1889	2074	2203	2608	

Vanity Cabinets

* L or R required

VANITY END SHELF

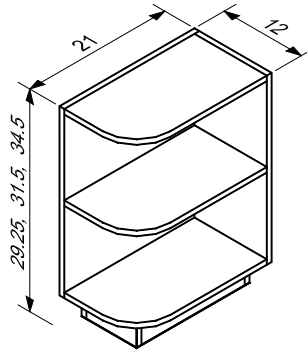
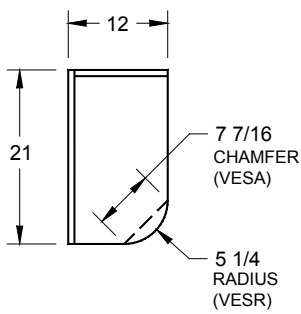
MODIFICATION LIMITS

Width 6" – 12"
 Height 28-1/2" – 46-1/2"
 Depth 12" – 30"

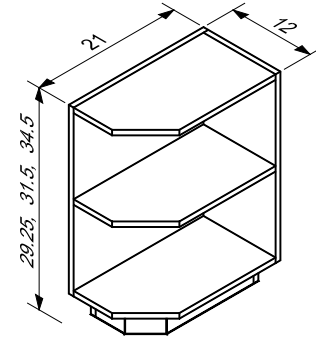
- Constructed using 3/4" edge-taped material finished to match adjoining cabinets
- Right or Left determined by side of cabinet shelf will be applied to
- When height is increased, number of shelves increases accordingly

- Clear material is used when Rustic wood species is ordered
- Clearance between shelves ranges from a minimum of 8" to a maximum of 12"
- Apply **RDV18** modification for 18" depth, for other allowable depths use **RD** or **ID** modifications

Top View – VES



Right Shown



END SHELF ROUND	MSRP
VESR12*	521
VMESR12*	573
VGESR12*	546

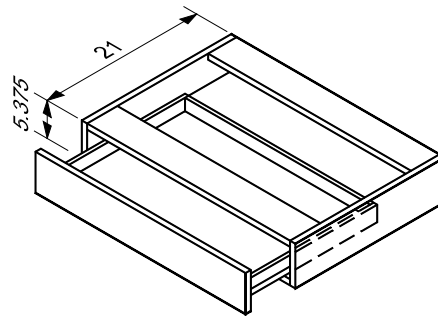
END SHELF ANGLE	MSRP
VESA12*	521
VMESA12*	573
VGESA12*	546

DESK DRAWER CABINET

MODIFICATION LIMITS

Width 12" – 36"
 Height No height mods
 Depth 12" – 24"

- Ends not finished
- Apply **RDV18** modification for 18" depth, for other allowable depths use **RD** or **ID** modifications
- DFMD not available



DDC_	M0	M1	M2	M3	M3A	M4	M4A	M5	M5A	M6	M6A	M7	M8	M9	M10	M11	M11A	M13	M15	M16
DDC18	267	334	373	405	405	405	405	405	405	405	405	405	405	405	439	468	468	563	468	563
DDC21	275	344	385	422	422	422	422	422	422	422	422	422	422	422	456	490	490	595	490	595
DDC24	285	356	397	438	438	438	438	438	438	438	438	438	438	438	473	510	510	628	510	628
DDC27	293	366	410	455	455	455	455	455	455	455	455	455	455	455	492	533	533	660	533	660
DDC30	302	377	422	471	471	471	471	471	471	471	471	471	471	471	510	555	555	690	555	690
DDC33	310	388	434	487	487	487	487	487	487	487	487	487	487	487	526	575	575	722	575	722
DDC36	319	399	446	504	504	504	504	504	504	504	504	504	504	504	544	597	597	755	597	755

Vanity Cabinets

* L or R required

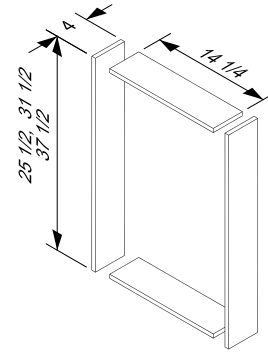
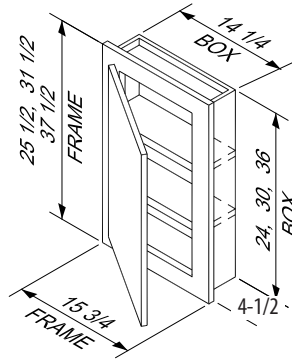
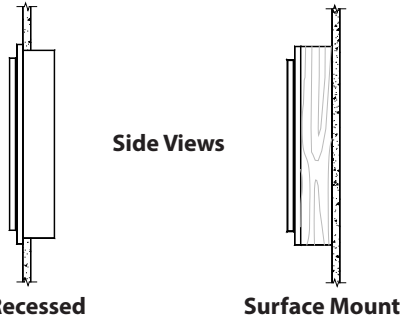
MEDICINE CABINET

MODIFICATION LIMITS

Width No width mods
 Height 24" - 36"
 Depth No depth mods

- Install recessed into wall or surface mounted to wall
- Frame is eased on front outside edge
- Frame stiles and rails are 2-1/4" wide
- Includes two 3/4" thick adjustable shelves
- Overall cabinet depth 4-1/2" D
- Surface mounting: Order optional flush trim kit (MCFTK)

- **Exceptions** - Thermofoil doors: cabinet frame is painted Maple. Alpine door style: cabinet frame is Natural Maple.
- **Not available:** Exotic Wood Veneer, Foil, Greenlam, or Thermo Structured Surface door styles



Recessed: cabinet box is sized to fit between wall studs at 16" centers
Recessed and Surface mount: Frame extends 1/2" beyond box, allowing for overlap of opening when recessed or when using flush mount kit

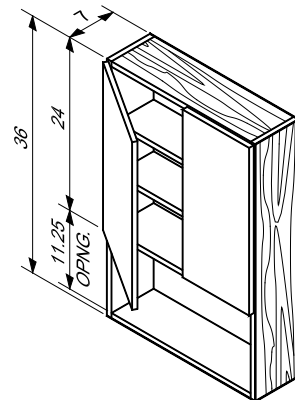
MC1DR	M0	M1	M2	M3	M3A	M4	M4A	M5	M5A	M6	M6A	M7	M8	M9	M10	M11	M11A	M13	M15	M16
MEDICINE CABINET																				
MC1524*	274	343	407	455	455	455	455	548	548	548	548	573	599	624	675	685	685	750	794	984
MC1530*	343	429	509	568	568	568	568	685	685	685	685	717	748	780	845	856	856	938	992	1230
MC1536*	411	514	611	682	682	682	682	823	823	823	823	860	899	936	1013	1028	1028	1124	1191	1476
FLUSH TRIM KIT																				
MCFTK24	105																			
MCFTK30	132																			
MCFTK36	158																			

WALL VANITY

MODIFICATION LIMITS

Width 18" - 36"
 Height 30" - 42"
 Depth 6" - 12"

- Finished interior (FMI)
- Exterior ends, top and bottom finished to match door
- Height modifications made to door area
- Includes two adjustable shelves



WV2DR	M0	M1	M2	M3	M3A	M4	M4A	M5	M5A	M6	M6A	M7	M8	M9	M10	M11	M11A	M13	M15	M16
WV2436DD	569	711	845	933	933	933	933	1111	1111	1111	1111	1165	1218	1272	1374	1348	1348	1479	1570	1903

Vanity Cabinets

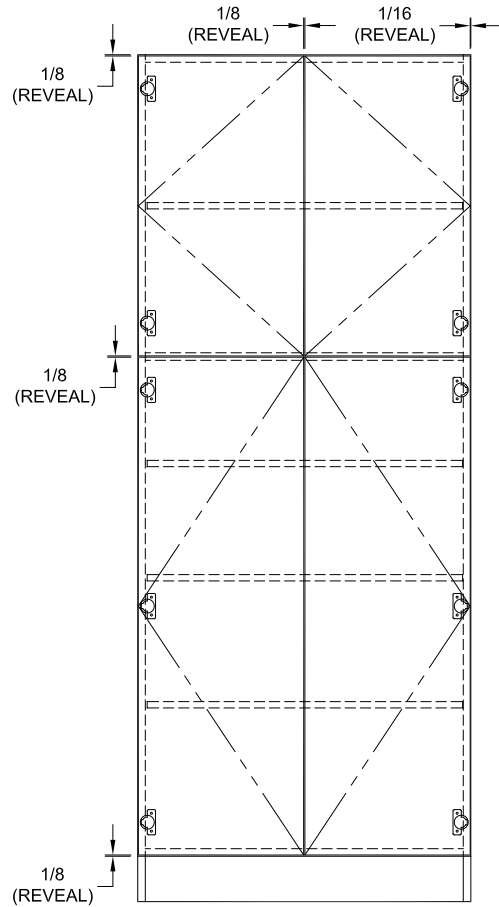
<< Intentionally Blank >>

Tall Cabinets

Typical Tall Cabinet Configuration

Note:

- Cabinets do not exceed 36" W
- Cabinets over 90" H have toe-kick shipped loose
- (U_) Utility and (P_) Pantry cabinets are drilled for adjustable shelves
- Height of cabinet determines quantity of adjustable shelves or roll-outs installed
- Height reductions (RH) are typically taken from upper section of cabinets unless otherwise specified



Standard door & drawer front sizes

Width		
Cabinet Width	Drawer Front Width	Door Width
9"	8-7/8"	8-7/8"
12"	11-7/8"	11-7/8"
15"	14-7/8"	14-7/8"
18"	17-7/8"	17-7/8"
21"	20-7/8"	20-7/8"
24"	23-7/8"	23-7/8"
24" DD	23-7/8"	(2) 11-7/8"
27"	26-7/8"	(2) 13-3/8"
30"	29-7/8"	(2) 14-7/8"
33"	32-7/8"	(2) 16-3/8"
36"	35-7/8"	(2) 17-7/8"

Utility Heights		
Cabinet Type	Upper Door Height	Lower Door Height
U_84	17-3/4"	61-3/8"
U_87	20-3/4"	61-3/8"
U_90	23-3/4"	61-3/8"
U_93	26-3/4"	61-3/8"
U_96	29-3/4"	61-3/8"

Pantry Heights		
Cabinet Type	Upper Door Height	Lower Door Height
P_84	29-3/4"	49-3/8"
P_87	32-3/4"	49-3/8"
P_90	35-3/4"	49-3/8"
P_93	38-3/4"	49-3/8"
P_96	41-3/4"	49-3/8"

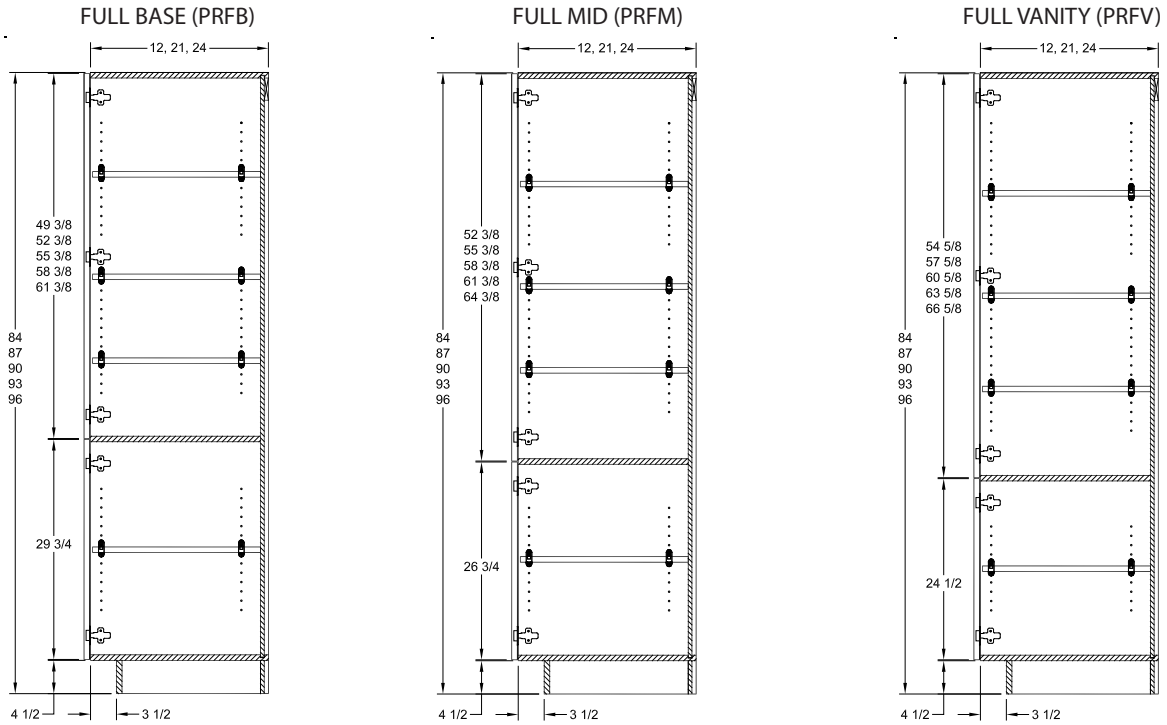
Door & Drawer Front configuration	
Width rules for Doors and/or Fronts	Width Formulas
9" - 24" W = 1 door	Cabinet width - 1/8" = size
9" - 36" W = 1 drawer	
24" DD - 36" W = 2 doors	(Cabinet width - 1/4") ÷ 2 = size

Tall Cabinets

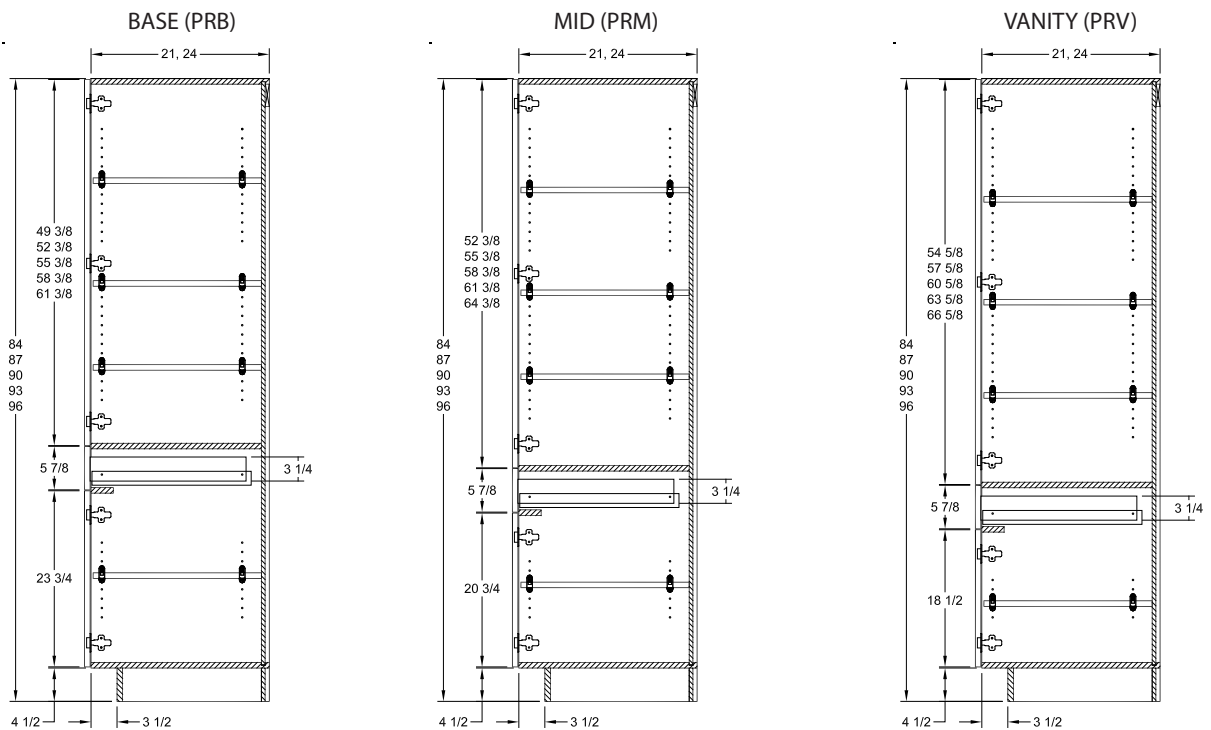
Pantry Reverse Cross Sections

Find door & drawer front heights, widths and reveals on pg T-1

Pantry Reverse Full Doors (PRF-B,M,V_)



Pantry Reverse Doors / Drawers (PR-B,M,V_)



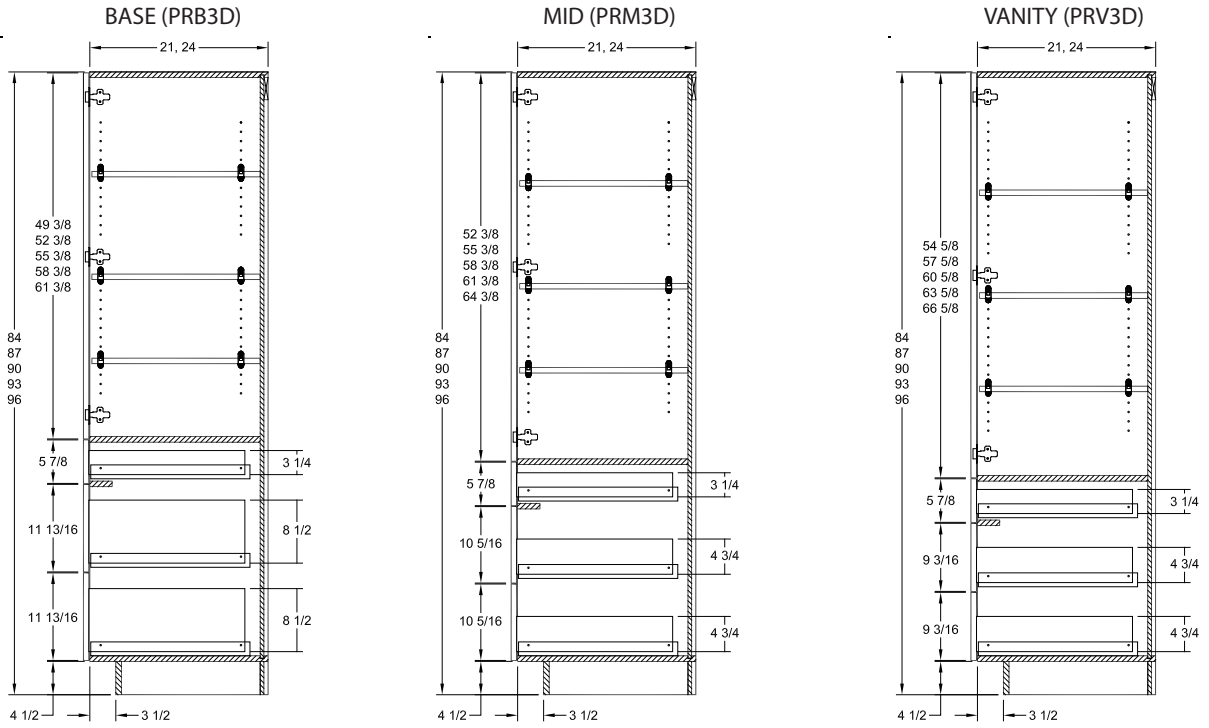
Tall Cabinets

Pantry Reverse Cross Sections

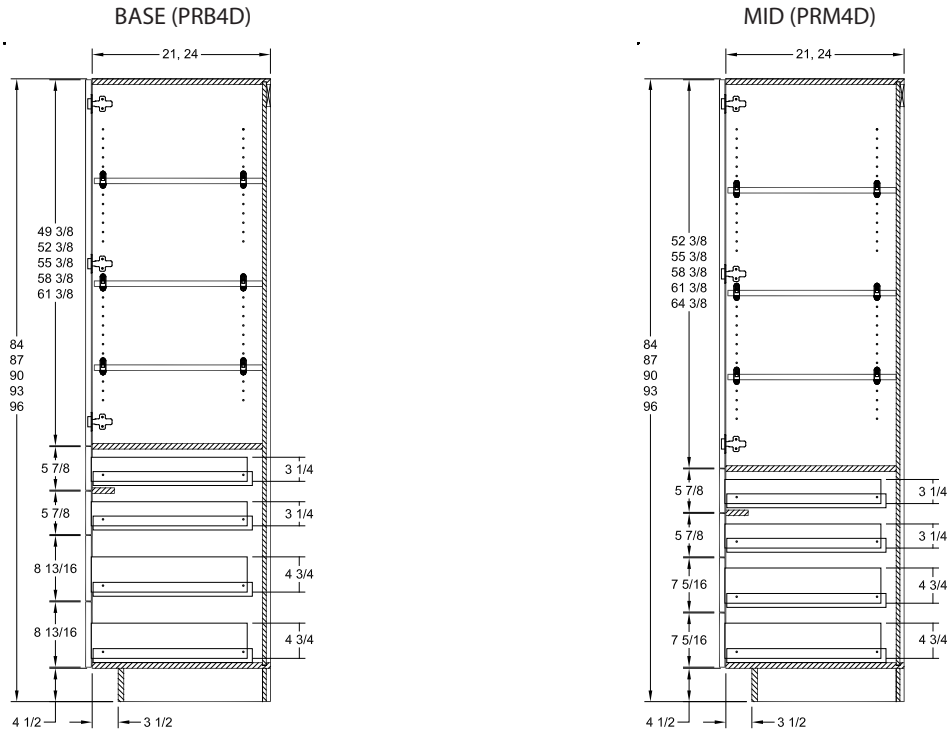
Find door & drawer front heights, widths and reveals on pg T-1

Cross sections feature drawer heights of hardwood drawers (HWDWR). Drawer heights of solid wood drawers (SWD) may vary slightly. Drawer front heights and openings are not affected.

Pantry Reverse 3-Drawer (PR-B,M,V-3D)



Pantry Reverse 4-Drawer (PR-B,M-4D)



Tall Cabinets

* L or R required

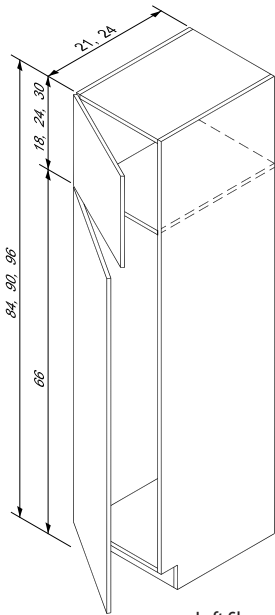
UTILITY – 24" or 21" DEEP

Overall Cabinet Height	Qty of Adj. Shelves
78" – 90"	0
90-1/4" – 96"	1

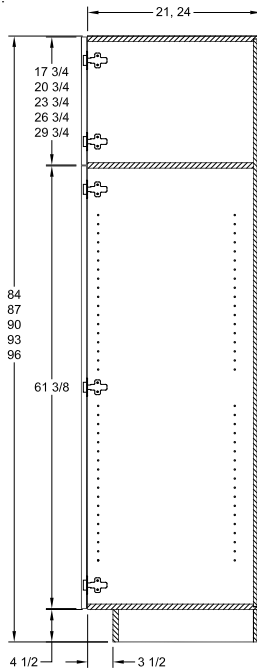
- Qty. of adjustable shelves in upper section depends on cabinet height
- Configuration for lower doors varies by door style (use General Section for lower door configuration)

MODIFICATION LIMITS

Width 9" – 24"
 Height 78" – 96"
 Depth 13" – 30"

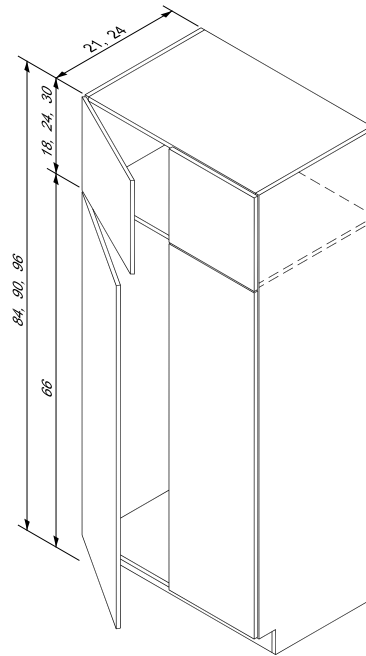


Left Shown



MODIFICATION LIMITS

Width 18" – 36"
 Height 78" – 96"
 Depth 13" – 30"



U2DR

84" | 87" | 90" | 93" | 96" H

- U15_X21*
- U18_X21*
- U21_X21*
- U24_X21*

- U15_X24*
- U18_X24*
- U21_X24*
- U24_X24*

U4DR

84" | 87" | 90" | 93" | 96" H

- U24_X21DD
- U27_X21
- U30_X21
- U33_X21
- U36_X21

- U24_X24DD
- U27_X24
- U30_X24
- U33_X24
- U36_X24

Tall Cabinets

* L or R required

	M0	M1	M2	M3	M3A	M4	M4A	M5	M5A	M6	M6A	M7	M8	M9	M10	M11	M11A	M13	M15	M16
UTILITY (2-DR) - 84" H x 24" or 21" D																				
U1584X(D)*	807	1009	1162	1284	1492	1284	1492	1533	1772	1533	1772	1608	1682	1757	1898	1927	2293	2115	2247	2865
U1884X(D)*	866	1082	1258	1404	1633	1404	1633	1701	1967	1701	1967	1784	1867	1950	2106	2184	2610	2398	2549	3319
U2184X(D)*	926	1157	1355	1523	1772	1523	1772	1871	2162	1871	2162	1962	2054	2145	2318	2441	2927	2680	2848	3770
U2484X(D)*	984	1230	1452	1643	1911	1643	1911	2039	2356	2039	2356	2139	2239	2339	2527	2698	3244	2965	3149	4223
UTILITY (4-DR) - 84" H x 24" or 21" D																				
U2484X(D) DD	1106	1382	1643	1840	2166	1840	2166	2242	2619	2242	2619	2352	2463	2573	2780	2859	3424	3141	3338	4337
U2784X(D)	1164	1455	1740	1961	2307	1961	2307	2412	2814	2412	2814	2530	2649	2768	2990	3116	3740	3423	3638	4790
U3084X(D)	1222	1528	1837	2079	2446	2079	2446	2581	3009	2581	3009	2709	2836	2963	3200	3373	4057	3706	3940	5242
U3384X(D)	1282	1603	1933	2200	2586	2200	2586	2749	3202	2749	3202	2885	3021	3155	3407	3631	4374	3991	4242	5695
U3684X(D)	1341	1676	2030	2320	2725	2320	2725	2919	3397	2919	3397	3063	3207	3350	3618	3887	4691	4272	4540	6148
UTILITY (2-DR) - 87" or 90" H x 24" or 21" D																				
U15(H)X(D)*	856	1070	1233	1362	1582	1362	1582	1630	1883	1630	1883	1710	1789	1867	2018	2057	2451	2259	2400	3070
U18(H)X(D)*	922	1153	1340	1494	1737	1494	1737	1815	2096	1815	2096	1903	1993	2081	2249	2337	2795	2566	2727	3560
U21(H)X(D)*	988	1235	1447	1626	1891	1626	1891	2000	2308	2000	2308	2098	2195	2293	2478	2617	3139	2875	3054	4050
U24(H)X(D)*	1053	1316	1552	1757	2044	1757	2044	2183	2520	2183	2520	2290	2396	2503	2705	2895	3482	3180	3380	4538
UTILITY (4-DR) - 87" or 90" H x 24" or 21" D																				
U24(H)X(D) DD	1175	1469	1743	1954	2296	1954	2296	2386	2781	2386	2781	2503	2620	2737	2958	3054	3660	3356	3567	4652
U27(H)X(D)	1240	1550	1850	2086	2451	2086	2451	2571	2995	2571	2995	2698	2824	2951	3188	3334	4004	3663	3894	5142
U30(H)X(D)	1306	1632	1957	2218	2603	2218	2603	2754	3207	2754	3207	2890	3026	3161	3416	3614	4349	3972	4221	5632
U33(H)X(D)	1370	1713	2062	2349	2758	2349	2758	2939	3419	2939	3419	3083	3229	3373	3645	3894	4693	4279	4549	6123
U36(H)X(D)	1435	1794	2169	2481	2910	2481	2910	3124	3631	3124	3631	3278	3433	3587	3875	4172	5035	4586	4874	6611
UTILITY (2-DR) - 93" or 96" H x 24" or 21" D																				
U15(H)X(D)*	901	1126	1297	1435	1667	1435	1667	1721	1988	1721	1988	1806	1889	1974	2134	2181	2600	2395	2544	3268
U18(H)X(D)*	970	1213	1409	1576	1830	1576	1830	1918	2213	1918	2213	2011	2106	2200	2376	2480	2968	2724	2893	3792
U21(H)X(D)*	1039	1299	1523	1716	1993	1716	1993	2113	2441	2113	2441	2217	2320	2424	2619	2778	3334	3051	3243	4315
U24(H)X(D)*	1107	1384	1635	1855	2156	1855	2156	2310	2666	2310	2666	2424	2537	2651	2865	3075	3701	3378	3590	4837
UTILITY (4-DR) - 93" or 96" H x 24" or 21" D																				
U24(H)X(D) DD	1230	1537	1827	2052	2408	2052	2408	2513	2927	2513	2927	2637	2761	2885	3117	3236	3879	3555	3779	4952
U27(H)X(D)	1301	1626	1944	2195	2576	2195	2576	2712	3158	2712	3158	2846	2978	3112	3361	3536	4250	3886	4130	5478
U30(H)X(D)	1373	1716	2059	2339	2742	2339	2742	2912	3387	2912	3387	3056	3199	3343	3611	3838	4622	4218	4483	6004
U33(H)X(D)	1442	1803	2173	2478	2905	2478	2905	3107	3612	3107	3612	3260	3414	3567	3853	4135	4988	4544	4830	6528
U36(H)X(D)	1510	1888	2285	2617	3068	2617	3068	3304	3838	3304	3838	3467	3629	3792	4096	4433	5354	4873	5180	7050

"(H) & (D)" Specify overall height & depth

Tall Cabinets

* L or R required

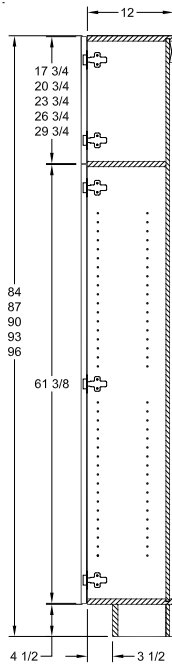
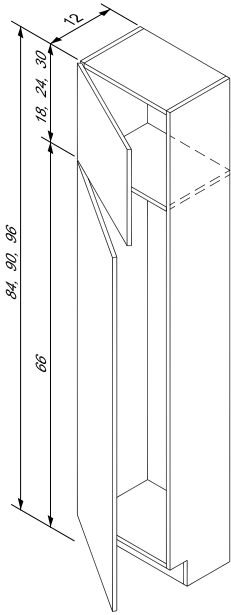
UTILITY – 12" DEEP

Overall Cabinet Height	Qty of Adj. Shelves
78" – 90"	0
90-1/4" – 96"	1

- Qty. of adjustable shelves in upper section depends on cabinet height
- Cabinets are drilled for optional adjustable shelves or roll-outs
- Configuration for lower doors varies by door style (use General Section for lower door configuration)

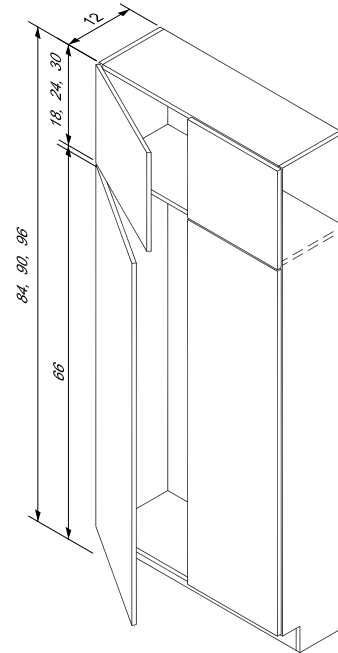
MODIFICATION LIMITS

Width 9" – 24"
 Height 78" – 96"
 Depth 9" – 12"



MODIFICATION LIMITS

Width 18" – 36"
 Height 78" – 96"
 Depth 9" – 12"



U2DR

84" | 87" | 90" | 93" | 96" H

- U15_X12*
- U18_X12*
- U21_X12*
- U24_X12*

U4DR

84" | 87" | 90" | 93" | 96" H

- U24_X12DD
- U27_X12
- U30_X12
- U33_X12
- U36_X12

Tall Cabinets

* L or R required

	M0	M1	M2	M3	M3A	M4	M4A	M5	M5A	M6	M6A	M7	M8	M9	M10	M11	M11A	M13	M15	M16
UTILITY (2-DR) - 84" H x 12" D																				
U1584X12*	628	785	938	1060	1241	1060	1241	1309	1521	1309	1521	1372	1437	1499	1620	1703	2044	1869	1984	2632
U1884X12*	672	840	1016	1160	1360	1160	1360	1457	1694	1457	1694	1528	1598	1669	1803	1940	2337	2130	2262	3065
U2184X12*	714	892	1092	1260	1477	1260	1477	1606	1866	1606	1866	1684	1762	1840	1988	2178	2632	2391	2541	3495
U2484X12*	756	945	1169	1360	1594	1360	1594	1755	2039	1755	2039	1842	1927	2013	2174	2415	2927	2653	2819	3928
UTILITY (4-DR) - 84" H x 12" D																				
U2484X12DD	878	1097	1358	1555	1849	1555	1849	1959	2301	1959	2301	2056	2151	2247	2427	2854	3419	3136	3333	4042
U2784X12	922	1152	1437	1655	1966	1655	1966	2108	2473	2108	2473	2212	2315	2418	2614	2812	3400	3088	3283	4474
U3084X12	963	1204	1513	1755	2083	1755	2083	2256	2646	2256	2646	2366	2478	2588	2797	3049	3696	3350	3560	4905
U3384X12	1006	1258	1589	1855	2201	1855	2201	2405	2819	2405	2819	2524	2641	2759	2982	3287	3989	3611	3838	5337
U3684X12	1049	1311	1665	1955	2318	1955	2318	2554	2990	2554	2990	2680	2805	2931	3166	3524	4284	3872	4116	5768
UTILITY (2-DR) - 87" or 90" H x 12" D																				
U15(H)X12*	661	826	987	1118	1308	1118	1308	1384	1608	1384	1608	1452	1518	1586	1713	1811	2176	1988	2112	2815
U18(H)X12*	707	884	1072	1226	1437	1226	1437	1547	1796	1547	1796	1621	1698	1772	1915	2069	2495	2273	2413	3282
U21(H)X12*	754	943	1155	1335	1565	1335	1565	1708	1983	1708	1983	1791	1874	1957	2115	2325	2814	2554	2714	3746
U24(H)X12*	802	1002	1238	1443	1693	1443	1693	1869	2169	1869	2169	1961	2052	2144	2317	2581	3131	2836	3012	4213
UTILITY (4-DR) - 87" or 90" H x 12" D																				
U24(H)X12DD	924	1155	1430	1640	1945	1640	1945	2073	2432	2073	2432	2174	2276	2378	2569	2742	3311	3012	3202	4326
U27(H)X12	970	1213	1513	1749	2074	1749	2074	2234	2619	2234	2619	2344	2452	2563	2768	2999	3629	3294	3501	4793
U30(H)X12	1018	1272	1598	1859	2203	1859	2203	2396	2805	2396	2805	2513	2632	2749	2970	3255	3947	3575	3801	5259
U33(H)X12	1065	1331	1681	1967	2330	1967	2330	2558	2993	2558	2993	2683	2809	2934	3170	3512	4265	3860	4103	5724
U36(H)X12	1111	1389	1766	2076	2459	2076	2459	2719	3180	2719	3180	2853	2987	3121	3372	3769	4584	4142	4401	6190
UTILITY (2-DR) - 93" or 96" H x 12" D																				
U15(H)X12*	690	862	1033	1170	1370	1170	1370	1457	1691	1457	1691	1528	1598	1669	1803	1916	2305	2105	2235	2993
U18(H)X12*	739	924	1121	1287	1508	1287	1508	1628	1891	1628	1891	1708	1788	1866	2015	2191	2644	2407	2556	3492
U21(H)X12*	790	987	1211	1403	1643	1403	1643	1801	2091	1801	2091	1889	1978	2066	2232	2464	2985	2707	2876	3991
U24(H)X12*	838	1048	1299	1520	1779	1520	1779	1972	2290	1972	2290	2069	2166	2262	2444	2739	3324	3009	3197	4488
UTILITY (4-DR) - 93" or 96" H x 12" D																				
U24(H)X12DD	961	1201	1491	1715	2034	1715	2034	2178	2552	2178	2552	2285	2391	2498	2698	2898	3504	3183	3384	4601
U27(H)X12	1012	1265	1581	1833	2173	1833	2173	2351	2753	2351	2753	2466	2581	2697	2914	3175	3847	3489	3707	5102
U30(H)X12	1064	1330	1672	1950	2310	1950	2310	2525	2954	2525	2954	2649	2773	2898	3131	3451	4189	3792	4031	5602
U33(H)X12	1114	1392	1760	2067	2446	2067	2446	2697	3155	2697	3155	2829	2963	3095	3343	3724	4528	4092	4350	6101
U36(H)X12	1162	1453	1850	2183	2583	2183	2583	2870	3353	2870	3353	3010	3153	3294	3558	3999	4868	4394	4672	6597

"(H)" Specify overall height

Tall Cabinets

* L or R required

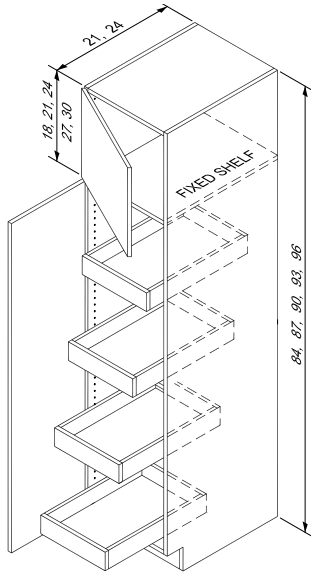
UTILITY ROLL-OUT

Overall Cabinet Height	Qty of Adj. Shelves
78" – 90"	0
90-1/4" – 96"	1

- Four 3-1/4" tall adjustable roll-outs, finished Natural, 5/8" thick solid wood sides and dovetail construction
- For depth increases beyond 24", roll-out depth and location does not change
- Qty. of adjustable shelves in upper section depends on cabinet height
- Configuration for lower doors varies by door style
(use General Section for lower door configuration)

MODIFICATION LIMITS

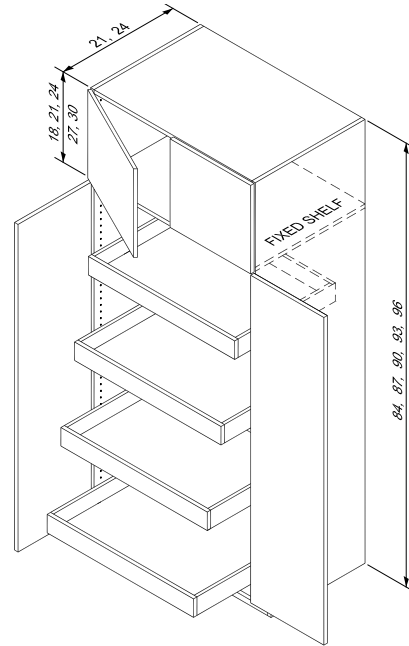
Width 15" – 24"
 Height 78" – 96"
 Depth 12" – 30"



- URO2DR
 84" | 87" | 90" | 93" | 96" H
- URO15__X21*
 - URO18__X21*
 - URO21__X21*
 - URO24__X21*
-
- URO15__X24*
 - URO18__X24*
 - URO21__X24*
 - URO24__X24*

MODIFICATION LIMITS

Width 18" – 36"
 Height 78" – 96"
 Depth 12" – 30"



- URO4DR
 84" | 87" | 90" | 93" | 96" H
- URO24__X21DD
 - URO27__X21
 - URO30__X21
 - URO33__X21
 - URO36__X21
-
- URO24__X24DD
 - URO27__X24
 - URO30__X24
 - URO33__X24
 - URO36__X24

Tall Cabinets

* L or R required

	M0	M1	M2	M3	M3A	M4	M4A	M5	M5A	M6	M6A	M7	M8	M9	M10	M11	M11A	M13	M15	M16
UTILITY-RO (2-DR) - 84" H x 24" or 21" D																				
URO1584X(D)*	1288	1610	1762	1883	2162	1883	2162	2132	2442	2132	2442	2237	2340	2446	2642	2527	2963	2776	2949	3490
URO1884(D)*	1370	1713	1889	2034	2337	2034	2337	2332	2671	2332	2671	2447	2561	2676	2892	2815	3316	3094	3287	3975
URO2184(D)*	1453	1816	2017	2184	2512	2184	2512	2532	2900	2532	2900	2656	2781	2905	3139	3102	3667	3407	3623	4459
URO2484(D)*	1538	1922	2144	2335	2685	2335	2685	2731	3129	2731	3129	2865	3000	3134	3385	3390	4018	3724	3960	4944
UTILITY-RO (4-DR) - 84" H x 24" or 21" D																				
URO2484(D) DD	1624	2030	2254	2444	2807	2444	2807	2841	3251	2841	3251	2982	3121	3261	3523	3499	4140	3845	4086	5057
URO2784(D)	1742	2178	2463	2683	3114	2683	3114	3134	3621	3134	3621	3289	3443	3597	3886	3838	4549	4218	4483	5543
URO3084(D)	1826	2283	2590	2834	3287	2834	3287	3334	3850	3334	3850	3499	3663	3828	4135	4126	4900	4535	4820	6026
URO3384(D)	1909	2386	2717	2983	3462	2983	3462	3533	4079	3533	4079	3707	3882	4057	4382	4415	5251	4852	5158	6511
URO3684(D)	1992	2490	2844	3134	3636	3134	3636	3733	4308	3733	4308	3918	4103	4286	4630	4703	5602	5169	5495	6996
UTILITY-RO (2-DR) - 87" or 90" H x 24" or 21" D																				
URO15(H)(D)*	1337	1671	1833	1962	2254	1962	2254	2230	2554	2230	2554	2340	2449	2559	2764	2658	3121	2919	3102	3696
URO18(H)(D)*	1427	1784	1971	2125	2442	2125	2442	2446	2800	2446	2800	2566	2686	2807	3032	2968	3499	3261	3465	4216
URO21(H)(D)*	1517	1896	2108	2288	2629	2288	2629	2659	3048	2659	3048	2790	2921	3051	3295	3277	3877	3601	3826	4739
URO24(H)(D)*	1605	2006	2244	2449	2817	2449	2817	2875	3294	2875	3294	3017	3158	3300	3565	3587	4255	3942	4189	5259
UTILITY-RO (4-DR) - 87" or 90" H x 24" or 21" D																				
URO24(H)(D) DD	1694	2117	2352	2559	2939	2559	2939	2983	3416	2983	3416	3131	3277	3424	3699	3696	4377	4060	4316	5373
URO27(H)(D)	1818	2273	2573	2809	3258	2809	3258	3294	3802	3294	3802	3456	3619	3782	4086	4057	4812	4459	4739	5895
URO30(H)(D)	1908	2385	2710	2971	3446	2971	3446	3509	4048	3509	4048	3682	3855	4030	4354	4367	5190	4800	5103	6416
URO33(H)(D)	1998	2497	2848	3134	3633	3134	3633	3723	4296	3723	4296	3908	4091	4276	4618	4678	5568	5141	5466	6938
URO36(H)(D)	2086	2608	2983	3295	3821	3295	3821	3938	4542	3938	4542	4133	4328	4523	4886	4988	5946	5483	5829	7459
UTILITY-RO (2-DR) - 93" or 96" H x 24" or 21" D																				
URO15(H)(D)*	1382	1727	1896	2035	2337	2035	2337	2320	2658	2320	2658	2434	2547	2661	2875	2781	3270	3056	3248	3894
URO18(H)(D)*	1475	1844	2040	2206	2534	2206	2534	2547	2919	2547	2919	2673	2798	2924	3158	3110	3672	3417	3633	4449
URO21(H)(D)*	1569	1961	2184	2378	2732	2378	2732	2775	3178	2775	3178	2912	3048	3185	3441	3439	4074	3779	4018	5003
URO24(H)(D)*	1661	2076	2327	2547	2929	2547	2929	3002	3438	3002	3438	3149	3299	3446	3723	3767	4474	4140	4399	5558
UTILITY-RO (4-DR) - 93" or 96" H x 24" or 21" D																				
URO24(H)(D) DD	1749	2186	2437	2656	3051	2656	3051	3110	3560	3110	3560	3263	3417	3570	3857	3875	4596	4259	4527	5671
URO27(H)(D)	1879	2349	2666	2917	3384	2917	3384	3434	3965	3434	3965	3604	3774	3943	4259	4259	5057	4681	4976	6229
URO30(H)(D)	1975	2469	2812	3092	3585	3092	3585	3665	4230	3665	4230	3847	4028	4208	4545	4591	5463	5046	5364	6789
URO33(H)(D)	2069	2586	2956	3261	3782	3261	3782	3892	4489	3892	4489	4086	4277	4471	4829	4920	5863	5409	5749	7344
URO36(H)(D)	2162	2703	3099	3431	3979	3431	3979	4118	4749	4118	4749	4321	4525	4728	5108	5247	6263	5768	6133	7898

"(H) & (D)" Specify overall height & depth

Tall Cabinets

* L or R required

UTILITY DOOR RACK

Overall Cabinet Height	Qty of Adj. Shelves in Upper
78" - 90"	0
90-1/4" - 96"	1

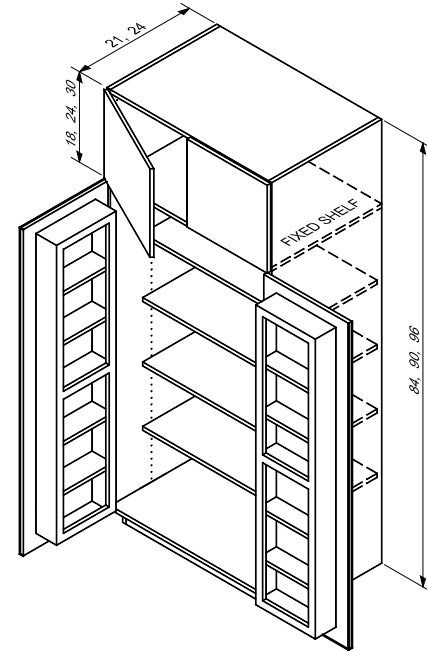
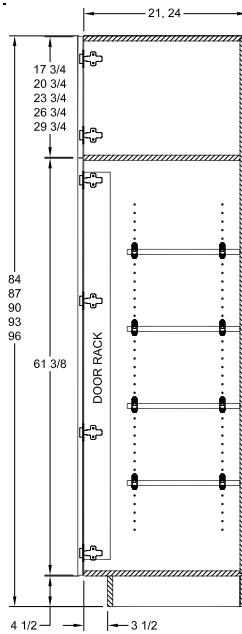
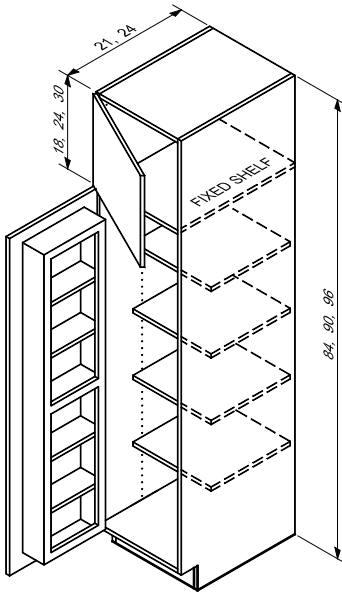
- Lower section contains four 3/4" thick x 18" deep adjustable shelves
- 4-1/2" deep Maple door rack is finished Natural, has five adjustable shelves and is shipped installed
- Qty. of adjustable shelves in upper section depends on cabinet height
- Configuration for lower doors varies by door style (use General Section for lower door configuration)

MODIFICATION LIMITS

Width No Width Mods
 Height 78" - 96"
 Depth 18" - 30"

MODIFICATION LIMITS

Width No Width Mods
 Height 78" - 96"
 Depth 18" - 30"



UDR2DR
 84" | 87" | 90" | 93" | 96" H
 UDR18__X21*
 UDR18__X24*

UDR4DR
 84" | 87" | 90" | 93" | 96" H
 UDR36__X21
 UDR36__X24

Note:

- Illustration shows right door open 180° to reveal interior of cabinet and door rack
- Actual maximum opening is 110° for concealed hinges

Tall Cabinets

* L or R required

	M0	M1	M2	M3	M3A	M4	M4A	M5	M5A	M6	M6A	M7	M8	M9	M10	M11	M11A	M13	M15	M16
UTILITY-DOOR RACK (2-DR) - 84" H																				
UDR1884X21*	1256	1570	1745	2035	2378	2069	2413	2347	2709	2347	2709	2508	2600	2739	2980	2980	3141	3358	3940	4394
UDR1884X24*	1256	1570	1745	2035	2378	2069	2413	2347	2709	2347	2709	2508	2600	2739	2980	2980	3141	3358	3940	4394
UTILITY-DOOR RACK (4-DR) - 84" H																				
UDR3684X21	2012	2515	2793	3287	3855	3345	3919	3806	4410	3806	4410	4067	4216	4460	4861	4854	5115	5490	6458	7205
UDR3684X24	2012	2515	2793	3287	3855	3345	3919	3806	4410	3806	4410	4067	4216	4460	4861	4854	5115	5490	6458	7205
UTILITY-DOOR RACK (2-DR) - 87" or 90" H																				
UDR18(H)X21*	1323	1654	1855	2156	2519	2190	2556	2520	2910	2520	2910	2693	2792	2939	3195	3199	3372	3599	4220	4706
UDR18(H)X24*	1323	1654	1855	2156	2519	2190	2556	2520	2910	2520	2910	2693	2792	2939	3195	3199	3372	3599	4220	4706
UTILITY-DOOR RACK (4-DR) - 87" or 90" H																				
UDR36(H)X21	2122	2653	2978	3485	4091	3546	4157	4094	4745	4094	4745	4376	4537	4791	5219	5215	5497	5890	6923	7722
UDR36(H)X24	2122	2653	2978	3485	4091	3546	4157	4094	4745	4094	4745	4376	4537	4791	5219	5215	5497	5890	6923	7722
UTILITY-DOOR RACK (2-DR) - 93" or 96" H																				
UDR18(H)X21*	1384	1730	1947	2254	2632	2290	2670	2646	3051	2646	3051	2827	2931	3082	3351	3353	3534	3774	4418	4929
UDR18(H)X24*	1384	1730	1947	2254	2632	2290	2670	2646	3051	2646	3051	2827	2931	3082	3351	3353	3534	3774	4418	4929
UTILITY-DOOR RACK (4-DR) - 93" or 96" H																				
UDR36(H)X21	2224	2780	3129	3650	4277	3713	4345	4303	4981	4303	4981	4598	4766	5030	5478	5475	5770	6180	7257	8093
UDR36(H)X24	2224	2780	3129	3650	4277	3713	4345	4303	4981	4303	4981	4598	4766	5030	5478	5475	5770	6180	7257	8093

"(H)" Specify overall height

Tall Cabinets

UTILITY SWING-OUT SHELVES PANTRY

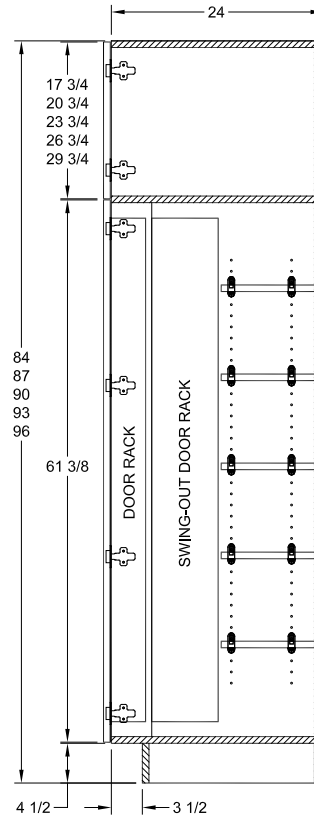
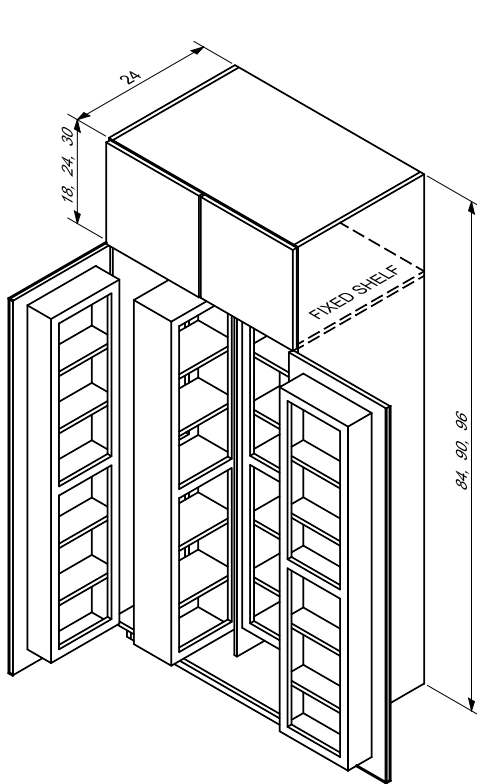
MODIFICATION LIMITS

Width No Width Mods
 Height 78" – 96"
 Depth No Depth Mods

Overall Cabinet Height	Qty of Adj. Shelves
78" – 90"	0
90-1/4" – 96"	1

- Lower section includes five 9-3/4" D adjustable shelves on each side of a fixed divider, two swing-out shelves and two door racks
- Each 8" D Maple swing-out shelf and 4-1/2" deep door rack has five adjustable shelves and is finished Natural
- Door racks are shipped installed; swing-out shelves are installed, then removed for shipping

- Qty. of adjustable shelves in upper section depends on cabinet height
- Configuration for lower doors varies by door style (use General Section for configuration)
- **Design Note:** Allow a minimum of 6" from edge of cabinet to an adjacent wall or object in order for swing-out shelves to clear door rack when opened (see image on next page)



USOS4DR
 84" | 87" | 90" | 93" | 96" H
 USOS36__

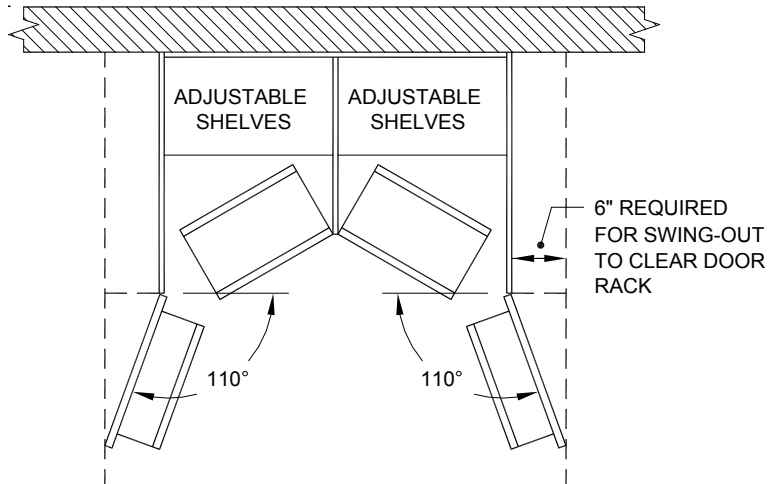
Note:

- Illustration shows right door open 180° to reveal interior of cabinet and door rack
- Actual maximum opening is 110° for concealed hinges

Tall Cabinets

	M0	M1	M2	M3	M3A	M4	M4A	M5	M5A	M6	M6A	M7	M8	M9	M10	M11	M11A	M13	M15	M16
UTILITY SWING-OUT SHELVES PANTRY (4-DR)																				
USOS3684	2756	3445	3777	4043	4645	4043	4645	4593	5263	4593	5263	4820	5047	5275	5697	5473	6435	6016	6396	7613
USOS3687	2852	3565	3940	4252	4890	4252	4890	4893	5610	4893	5610	5135	5378	5621	6072	5943	7015	6533	6945	8455
USOS3690	2852	3565	3940	4252	4890	4252	4890	4893	5610	4893	5610	5135	5378	5621	6072	5943	7015	6533	6945	8455
USOS3693	2954	3692	4087	4421	5085	4421	5085	5107	5855	5107	5855	5359	5614	5866	6336	6236	7369	6855	7289	8928
USOS3696	2954	3692	4087	4421	5085	4421	5085	5107	5855	5107	5855	5359	5614	5866	6336	6236	7369	6855	7289	8928

Top View



Tall Cabinets

* L or R required

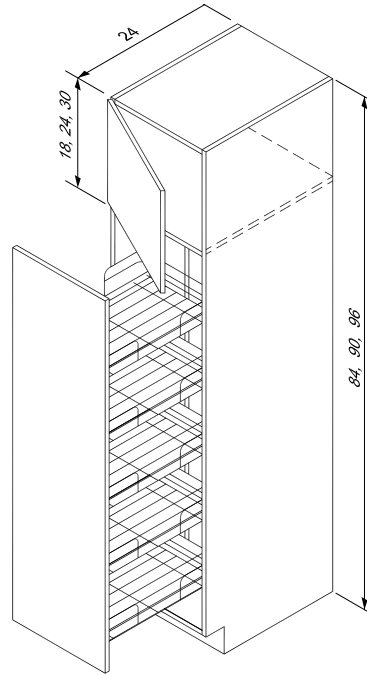
UTILITY PULL-OUT - CHROME

MODIFICATION LIMITS

Width No Width Mods
 Height 78" – 96"
 Depth 24" – 30" (Applied to cabinet only)

Overall Cabinet Height	Qty of Adj. Shelves
78" – 90"	0
90-1/4" – 96"	1

- Lower section contains a five-basket, chrome pull-out pantry
- Soft-close guides and three adjustable door mount brackets
- Pull-out dimensions:
58-1/4" to 65-3/4" H x 20" D
- Basket dimensions:
 UPO12_: 8-7/8" W x 3" H x 17-1/4" D
 UPO18_: 14-3/4" W x 3" H x 17-1/4" D



UPO2DR
 84" | 87" | 90" | 93" | 96" H
 UPO12_*
 UPO18_*

	M0	M1	M2	M3	M3A	M4	M4A	M5	M5A	M6	M6A	M7	M8	M9	M10	M11	M11A	M13	M15	M16	
UPO - 12" W																					
UPO1284*	4094	5117	5269	5392	5600	5392	5600	5641	5880	5641	5880	5716	5790	5865	6006	6034	6401	6223	6355	6972	
UPO12(87 or 90)*	4142	5178	5341	5470	5690	5470	5690	5738	5990	5738	5990	5817	5897	5975	6126	6165	6558	6367	6508	7177	
UPO12(93 or 96)*	4187	5234	5405	5543	5775	5543	5775	5829	6095	5829	6095	5914	5997	6082	6241	6289	6708	6502	6652	7376	
UPO - 18" W																					
UPO1884*	4466	5583	5760	5905	6134	5905	6134	6202	6469	6202	6469	6285	6368	6452	6608	6686	7111	6899	7050	7820	
UPO18(87 or 90)*	4523	5654	5841	5995	6238	5995	6238	6316	6597	6316	6597	6404	6494	6582	6750	6838	7296	7067	7228	8061	
UPO18(93 or 96)*	4571	5714	5911	6077	6331	6077	6331	6419	6714	6419	6714	6513	6608	6701	6877	6981	7469	7225	7395	8293	

"(H)" Specify height

Tall Cabinets

* L or R required

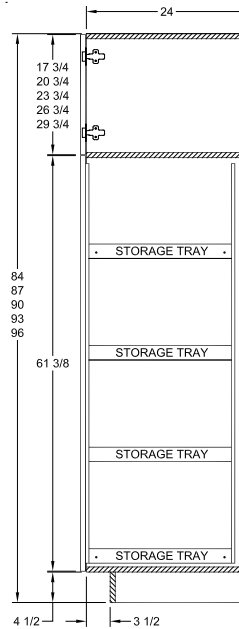
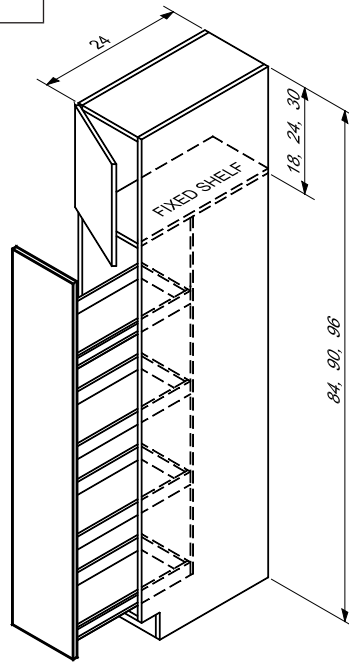
UTILITY PULL-OUT

MODIFICATION LIMITS

Width No Width Mods
 Height 78" – 96"
 Depth No Depth Mods

Overall Cabinet Height	Qty of Adj. Shelves
78" – 90"	0
90-1/4" – 96"	1

- Four pull-out storage trays: 12-7/8" clearance between each, 2-1/8" tall, solid hardwood with dovetail joints
- Two sets of zinc side mount full-extension guides used
- **Not available:** UMFEG-IM
- Allow space to clear adjacent objects such as door and drawer hardware, appliances and wall mouldings when pull-out is extended
- Configuration for lower doors varies by door style (use General Section for lower door configuration)



UP2DR
 84" | 87" | 90" | 93" | 96" H
 UP09_X24*
 UP12_X24*

	M0	M1	M2	M3	M3A	M4	M4A	M5	M5A	M6	M6A	M7	M8	M9	M10	M11	M11A	M13	M15	M16	
UTILITY PULL-OUT - 84" H																					
UP0984X24	1425	1781	2023	1952	1993	1959	2001	2049	2089	2049	2089	2188	2268	2320	2486	2525	2661	2454	2802	3126	
UP1284X24	1899	2374	2698	2603	2658	2612	2668	2731	2785	2731	2785	2917	3024	3094	3316	3367	3548	3272	3736	4167	
UTILITY PULL-OUT - 87" or 90" H																					
UP09(H)X24	1534	1918	2181	2101	2142	2110	2151	2201	2242	2201	2242	2352	2437	2497	2678	2717	2863	2636	3014	3361	
UP12(H)X24	2046	2558	2909	2802	2856	2812	2866	2934	2990	2934	2990	3136	3250	3328	3570	3623	3818	3514	4018	4481	
UTILITY PULL-OUT - 93" or 96" H																					
UP09(H)X24	1646	2057	2339	2247	2288	2259	2300	2354	2396	2354	2396	2517	2608	2673	2868	2909	3066	2817	3226	3597	
UP12(H)X24	2194	2742	3117	2997	3051	3012	3066	3139	3195	3139	3195	3355	3478	3563	3823	3879	4087	3755	4301	4796	

"(H)" Specify overall height

Tall Cabinets

* L or R required

PANTRY – 24" or 21" DEEP

Overall Cabinet Height	Qty of Adj. Shelves
66" – 81"	3
81-1/4" – 90"	4
90-1/4" – 96"	5

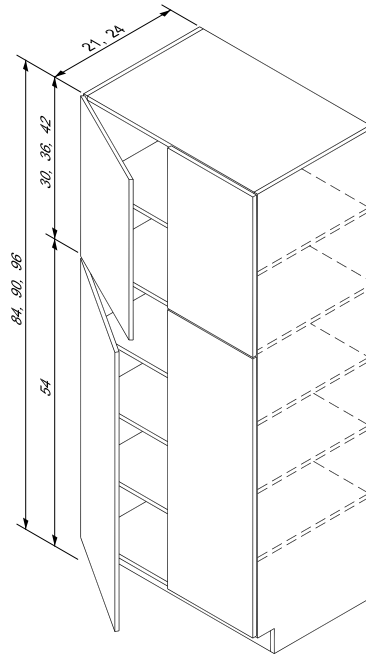
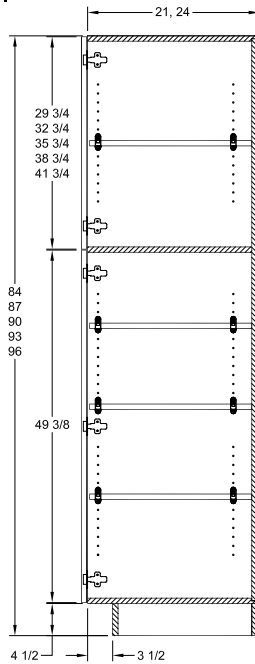
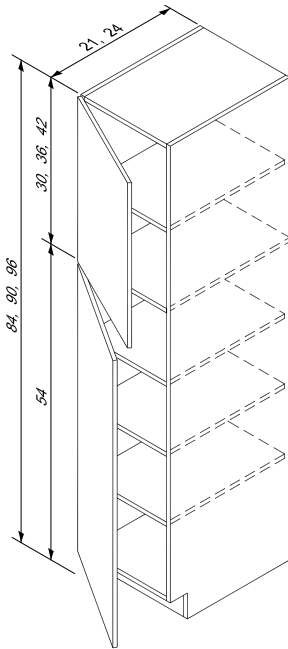
- Qty of adjustable shelves depends on height
- Apply **IRO** modification to add individual roll-outs
- Configuration for lower doors varies by door style (use General Section for lower door configuration)

MODIFICATION LIMITS

Width 9" – 24"
 Height 66" – 96"
 Depth 13" – 30"

MODIFICATION LIMITS

Width 18" – 36"
 Height 66" – 96"
 Depth 13" – 30"



P2DR

84" | 87" | 90" | 93" | 96" H

P15_X21*
 P18_X21*
 P21_X21*
 P24_X21*

P15_X24*
 P18_X24*
 P21_X24*
 P24_X24*

P4DR

84" | 87" | 90" | 93" | 96" H

P24_X21DD
 P27_X21
 P30_X21
 P33_X21
 P36_X21

P24_X24DD
 P27_X24
 P30_X24
 P33_X24
 P36_X24

Tall Cabinets

* L or R required

	M0	M1	M2	M3	M3A	M4	M4A	M5	M5A	M6	M6A	M7	M8	M9	M10	M11	M11A	M13	M15	M16
PANTRY (2-DR) - 84" H x 24" or 21" D																				
P1584X(D)*	930	1162	1314	1437	1645	1437	1645	1686	1925	1686	1925	1767	1850	1932	2088	2079	2446	2283	2425	3017
P1884X(D)*	998	1248	1425	1570	1799	1570	1799	1867	2134	1867	2134	1959	2050	2140	2312	2351	2776	2581	2742	3485
P2184X(D)*	1074	1343	1542	1710	1959	1710	1959	2057	2349	2057	2349	2157	2259	2359	2549	2627	3114	2885	3066	3957
P2484X(D)*	1144	1430	1652	1844	2112	1844	2112	2239	2556	2239	2556	2349	2459	2568	2775	2898	3445	3183	3384	4423
PANTRY (4-DR) - 84" H x 24" or 21" D																				
P2484X(D) DD	1266	1582	1844	2040	2366	2040	2366	2442	2819	2442	2819	2563	2683	2802	3027	3060	3624	3361	3572	4537
P2784X(D)	1335	1669	1954	2174	2520	2174	2520	2625	3027	2625	3027	2754	2883	3012	3255	3329	3953	3658	3887	5003
P3084X(D)	1410	1762	2071	2313	2680	2313	2680	2815	3243	2815	3243	2954	3094	3231	3490	3607	4291	3964	4213	5476
P3384X(D)	1480	1850	2181	2447	2834	2447	2834	2997	3450	2997	3450	3144	3292	3439	3716	3879	4622	4262	4532	5943
P3684X(D)	1555	1944	2298	2588	2993	2588	2993	3187	3665	3187	3665	3345	3501	3658	3952	4155	4959	4567	4854	6416
PANTRY (2-DR) - 87" or 90" H x 24" or 21" D																				
P15(H)X(D)*	978	1223	1386	1515	1735	1515	1735	1782	2035	1782	2035	1869	1957	2044	2208	2210	2603	2427	2578	3222
P18(H)X(D)*	1055	1319	1506	1660	1903	1660	1903	1981	2262	1981	2262	2078	2174	2271	2454	2503	2961	2749	2922	3726
P21(H)X(D)*	1137	1421	1633	1813	2078	1813	2078	2186	2495	2186	2495	2293	2400	2508	2710	2803	3326	3080	3273	4237
P24(H)X(D)*	1213	1516	1752	1957	2244	1957	2244	2383	2720	2383	2720	2500	2617	2734	2953	3095	3682	3400	3614	4739
PANTRY (4-DR) - 87" or 90" H x 24" or 21" D																				
P24(H)X(D) DD	1335	1669	1944	2154	2497	2154	2497	2586	2982	2586	2982	2714	2841	2968	3205	3255	3860	3575	3801	4852
P27(H)X(D)	1411	1764	2064	2300	2664	2300	2664	2785	3209	2785	3209	2922	3060	3197	3453	3548	4218	3899	4143	5356
P30(H)X(D)	1493	1866	2191	2452	2837	2452	2837	2988	3441	2988	3441	3136	3283	3431	3706	3848	4583	4228	4494	5866
P33(H)X(D)	1569	1961	2310	2597	3005	2597	3005	3187	3667	3187	3667	3345	3501	3658	3952	4142	4940	4552	4839	6370
P36(H)X(D)	1650	2062	2437	2749	3178	2749	3178	3392	3899	3392	3899	3560	3728	3894	4206	4440	5303	4879	5188	6879
PANTRY (2-DR) - 93" or 96" H x 24" or 21" D																				
P15(H)X(D)*	1023	1279	1450	1587	1820	1587	1820	1874	2140	1874	2140	1966	2057	2149	2322	2334	2753	2563	2724	3421
P18(H)X(D)*	1103	1379	1576	1742	1996	1742	1996	2084	2379	2084	2379	2186	2288	2391	2583	2646	3134	2907	3088	3958
P21(H)X(D)*	1189	1486	1710	1903	2179	1903	2179	2300	2627	2300	2627	2413	2525	2639	2851	2965	3521	3256	3462	4501
P24(H)X(D)*	1267	1584	1835	2056	2356	2056	2356	2510	2866	2510	2866	2634	2758	2880	3110	3275	3901	3599	3824	5037
PANTRY (4-DR) - 93" or 96" H x 24" or 21" D																				
P24(H)X(D) DD	1390	1737	2027	2252	2608	2252	2608	2714	3127	2714	3127	2848	2982	3114	3363	3436	4079	3775	4013	5152
P27(H)X(D)	1472	1840	2157	2408	2790	2408	2790	2926	3372	2926	3372	3070	3214	3358	3628	3750	4464	4121	4381	5692
P30(H)X(D)	1560	1950	2293	2573	2976	2573	2976	3146	3621	3146	3621	3302	3456	3612	3902	4072	4856	4476	4757	6238
P33(H)X(D)	1640	2050	2420	2725	3153	2725	3153	3355	3860	3355	3860	3521	3685	3852	4160	4382	5236	4817	5120	6776
P36(H)X(D)	1725	2156	2552	2885	3336	2885	3336	3572	4106	3572	4106	3748	3925	4101	4430	4701	5622	5168	5493	7318

"(H) & (D)" Specify overall height & depth

Tall Cabinets

* L or R required

PANTRY – 12" DEEP

Overall Cabinet Height	Qty of Adj. Shelves
66" – 81"	3
81-1/4" – 90"	4
90-1/4" – 96"	5

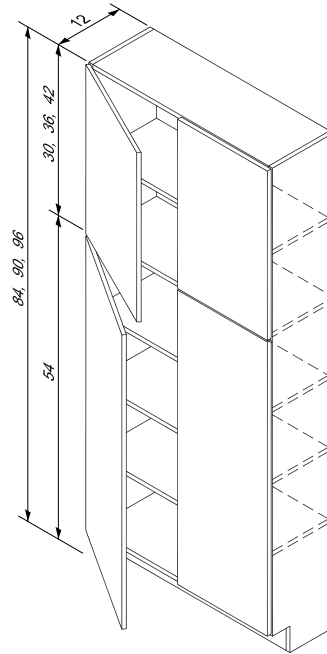
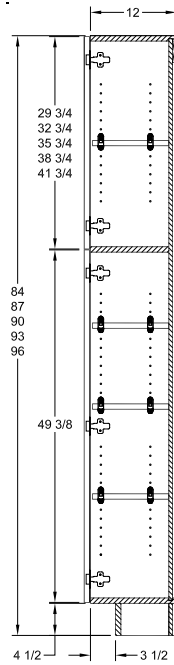
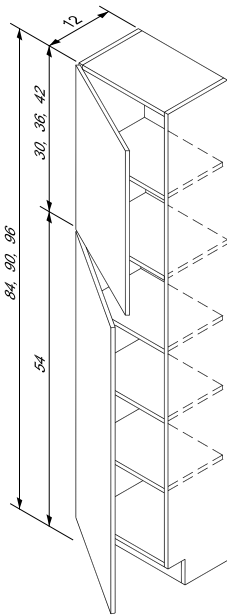
- Qty of adjustable shelves depends on cabinet height
- Apply **IRO** modification to add individual roll-outs
- Configuration for lower doors varies by door style (use General Section for lower door configuration)

MODIFICATION LIMITS

Width 9" – 24"
 Height 66" – 96"
 Depth 9" – 12"

MODIFICATION LIMITS

Width 18" – 36"
 Height 66" – 96"
 Depth 9" – 12"



P2DR

84" | 87" | 90" | 93" | 96" H

- P15__X12*
- P18__X12*
- P21__X12*
- P24__X12*

P4DR

84" | 87" | 90" | 93" | 96" H

- P24__X12DD
- P27__X12
- P30__X12
- P33__X12
- P36__X12

Tall Cabinets

* L or R required

	M0	M1	M2	M3	M3A	M4	M4A	M5	M5A	M6	M6A	M7	M8	M9	M10	M11	M11A	M13	M15	M16
PANTRY (2-DR) - 84" H x 12" D																				
P1584X12*	723	904	1057	1179	1360	1179	1360	1428	1640	1428	1640	1498	1567	1637	1769	1822	2162	2000	2123	2751
P1884X12*	772	965	1141	1286	1486	1286	1486	1582	1820	1582	1820	1659	1737	1813	1959	2066	2463	2268	2410	3190
P2184X12*	819	1024	1225	1392	1610	1392	1610	1738	1998	1738	1998	1823	1908	1993	2152	2310	2764	2537	2695	3628
P2484X12*	867	1084	1308	1499	1733	1499	1733	1894	2178	1894	2178	1988	2079	2173	2347	2554	3066	2805	2982	4067
PANTRY (4-DR) - 84" H x 12" D																				
P2484X12 DD	989	1236	1498	1694	1988	1694	1988	2098	2441	2098	2441	2201	2303	2407	2600	2993	3558	3289	3495	4181
P2784X12	1038	1297	1582	1801	2112	1801	2112	2254	2619	2254	2619	2364	2474	2586	2793	2958	3546	3250	3453	4620
P3084X12	1086	1357	1665	1908	2235	1908	2235	2408	2798	2408	2798	2527	2646	2763	2985	3202	3848	3518	3740	5057
P3384X12	1134	1418	1749	2015	2361	2015	2361	2564	2978	2564	2978	2690	2817	2943	3178	3446	4148	3787	4025	5497
P3684X12	1182	1477	1832	2122	2485	2122	2485	2720	3156	2720	3156	2854	2988	3122	3373	3690	4450	4055	4311	5934
PANTRY (2-DR) - 87" or 90" H x 12" D																				
P15(H)X12*	756	945	1106	1236	1426	1236	1426	1503	1727	1503	1727	1576	1649	1721	1861	1930	2295	2118	2251	2934
P18(H)X12*	807	1009	1197	1352	1562	1352	1562	1672	1922	1672	1922	1754	1835	1916	2071	2195	2620	2410	2561	3407
P21(H)X12*	860	1075	1287	1467	1698	1467	1698	1840	2115	1840	2115	1930	2020	2110	2279	2458	2946	2698	2868	3879
P24(H)X12*	913	1141	1377	1582	1832	1582	1832	2008	2308	2008	2308	2106	2205	2303	2488	2720	3270	2988	3175	4352
PANTRY (4-DR) - 87" or 90" H x 12" D																				
P24(H)X12 DD	1035	1294	1569	1779	2084	1779	2084	2212	2571	2212	2571	2320	2429	2537	2741	2882	3450	3165	3365	4466
P27(H)X12	1086	1358	1659	1894	2220	1894	2220	2379	2764	2379	2764	2497	2614	2731	2949	3144	3775	3455	3672	4939
P30(H)X12	1140	1425	1750	2011	2356	2011	2356	2549	2958	2549	2958	2675	2800	2926	3160	3407	4099	3743	3979	5412
P33(H)X12	1193	1491	1840	2127	2490	2127	2490	2717	3153	2717	3153	2851	2985	3119	3370	3672	4425	4035	4289	5883
P36(H)X12	1244	1555	1932	2242	2625	2242	2625	2885	3346	2885	3346	3027	3170	3311	3577	3935	4750	4325	4596	6357
PANTRY (2-DR) - 93" or 96" H x 12" D																				
P15(H)X12*	784	980	1152	1289	1489	1289	1489	1576	1810	1576	1810	1652	1728	1806	1952	2035	2424	2235	2374	3112
P18(H)X12*	840	1050	1247	1413	1633	1413	1633	1754	2017	1754	2017	1838	1925	2010	2171	2317	2770	2544	2703	3618
P21(H)X12*	895	1119	1343	1535	1776	1535	1776	1933	2223	1933	2223	2028	2123	2217	2395	2597	3117	2853	3031	4123
P24(H)X12*	950	1187	1438	1659	1918	1659	1918	2112	2429	2112	2429	2215	2318	2422	2617	2878	3463	3161	3360	4627
PANTRY (4-DR) - 93" or 96" H x 12" D																				
P24(H)X12 DD	1072	1340	1630	1854	2173	1854	2173	2317	2692	2317	2692	2430	2544	2658	2871	3038	3643	3338	3546	4740
P27(H)X12	1129	1411	1727	1979	2318	1979	2318	2497	2898	2497	2898	2619	2742	2865	3095	3321	3992	3648	3879	5247
P30(H)X12	1186	1482	1825	2103	2463	2103	2463	2678	3107	2678	3107	2810	2941	3073	3319	3604	4342	3960	4209	5755
P33(H)X12	1242	1552	1920	2227	2605	2227	2605	2856	3314	2856	3314	2997	3138	3278	3541	3884	4688	4269	4537	6260
P36(H)X12	1296	1620	2017	2349	2749	2349	2749	3036	3519	3036	3519	3185	3336	3485	3765	4165	5034	4578	4866	6764

"(H)" Specify overall height

Tall Cabinets

* L or R required

PANTRY REVERSE FULL BASE – 24" or 21" DEEP

Overall Cabinet Height	Qty of Adj. Shelves
41-1/4" – 60"	1
60-1/4" – 69"	2
69-1/4" – 78"	3
78-1/4" – 90"	4
90-1/4" – 96"	5

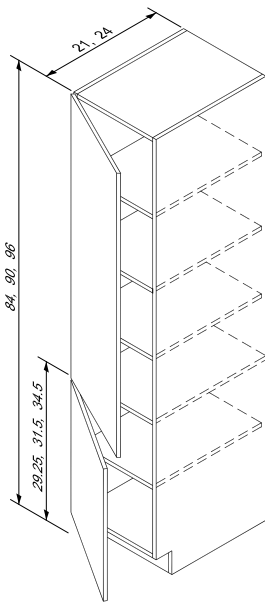
- Lower section has same size door as Full Base (FB), Mid (MFB and FVM) or Vanity (FV)
- Qty of adjustable shelves depends on cabinet height
- Apply IRO modification to add individual roll-outs
- Configuration for upper doors varies by door style (use General Section for upper door configuration)

MODIFICATION LIMITS

		** Min. Ht.
Width	9" – 24"	PRFB = 46-1/2"
Height	** – 96"	PRFM = 43-1/2"
Depth	13" – 30"	PRFV = 41-1/4"

MODIFICATION LIMITS

		** Min. Ht.
Width	18" – 36"	PRFB = 46-1/2"
Height	** – 96"	PRFM = 43-1/2"
Depth	13" – 30"	PRFV = 41-1/4"

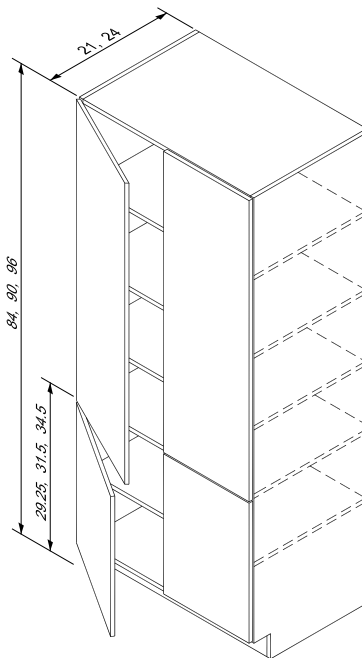


PRF_2DR

84" | 87" | 90" | 93" | 96" H

PRF_15__X21*
PRF_18__X21*
PRF_21__X21*
PRF_24__X21*

PRF_15__X24*
PRF_18__X24*
PRF_21__X24*
PRF_24__X24*



PRF_4DR

84" | 87" | 90" | 93" | 96" H

PRF_24__X21DD
PRF_27__X21
PRF_30__X21
PRF_33__X21
PRF_36__X21

PRF_24__X24DD
PRF_27__X24
PRF_30__X24
PRF_33__X24
PRF_36__X24

Insert "B" (Base), "M" (Mid) or "V" (Vanity) after "PRF" to designate lower section height

HOW TO ORDER

Configuration	Lwr Section	W	H	D	* Swing
PRF	B	21	90	x 21	L

Tall Cabinets

* L or R required

	M0	M1	M2	M3	M3A	M4	M4A	M5	M5A	M6	M6A	M7	M8	M9	M10	M11	M11A	M13	M15	M16
PANTRY REVERSE FULL (2-DR) - 84" H x 24" or 21" D																				
PRF_1584X(D)*	930	1162	1314	1437	1645	1437	1645	1686	1925	1686	1925	1767	1850	1932	2088	2079	2446	2283	2425	3017
PRF_1884X(D)*	998	1248	1425	1570	1799	1570	1799	1867	2134	1867	2134	1959	2050	2140	2312	2351	2776	2581	2742	3485
PRF_2184X(D)*	1074	1343	1542	1710	1959	1710	1959	2057	2349	2057	2349	2157	2259	2359	2549	2627	3114	2885	3066	3957
PRF_2484X(D)*	1144	1430	1652	1844	2112	1844	2112	2239	2556	2239	2556	2349	2459	2568	2775	2898	3445	3183	3384	4423
PANTRY REVERSE FULL (4-DR) - 84" H x 24" or 21" D																				
PRF_2484X(D) DD	1266	1582	1844	2040	2366	2040	2366	2442	2819	2442	2819	2563	2683	2802	3027	3060	3624	3361	3572	4537
PRF_2784X(D)	1335	1669	1954	2174	2520	2174	2520	2625	3027	2625	3027	2754	2883	3012	3255	3329	3953	3658	3887	5003
PRF_3084X(D)	1410	1762	2071	2313	2680	2313	2680	2815	3243	2815	3243	2954	3094	3231	3490	3607	4291	3964	4213	5476
PRF_3384X(D)	1480	1850	2181	2447	2834	2447	2834	2997	3450	2997	3450	3144	3292	3439	3716	3879	4622	4262	4532	5943
PRF_3684X(D)	1555	1944	2298	2588	2993	2588	2993	3187	3665	3187	3665	3345	3501	3658	3952	4155	4959	4567	4854	6416
PANTRY REVERSE FULL (2-DR) - 87" or 90" H x 24" or 21" D																				
PRF_15(H)X(D)*	978	1223	1386	1515	1735	1515	1735	1782	2035	1782	2035	1869	1957	2044	2208	2210	2603	2427	2578	3222
PRF_18(H)X(D)*	1055	1319	1506	1660	1903	1660	1903	1981	2262	1981	2262	2078	2174	2271	2454	2503	2961	2749	2922	3726
PRF_21(H)X(D)*	1137	1421	1633	1813	2078	1813	2078	2186	2495	2186	2495	2293	2400	2508	2710	2803	3326	3080	3273	4237
PRF_24(H)X(D)*	1213	1516	1752	1957	2244	1957	2244	2383	2720	2383	2720	2500	2617	2734	2953	3095	3682	3400	3614	4739
PANTRY REVERSE FULL (4-DR) - 87" or 90" H x 24" or 21" D																				
PRF_24(H)X(D) DD	1335	1669	1944	2154	2497	2154	2497	2586	2982	2586	2982	2714	2841	2968	3205	3255	3860	3575	3801	4852
PRF_27(H)X(D)	1411	1764	2064	2300	2664	2300	2664	2785	3209	2785	3209	2922	3060	3197	3453	3548	4218	3899	4143	5356
PRF_30(H)X(D)	1493	1866	2191	2452	2837	2452	2837	2988	3441	2988	3441	3136	3283	3431	3706	3848	4583	4228	4494	5866
PRF_33(H)X(D)	1569	1961	2310	2597	3005	2597	3005	3187	3667	3187	3667	3345	3501	3658	3952	4142	4940	4552	4839	6370
PRF_36(H)X(D)	1650	2062	2437	2749	3178	2749	3178	3392	3899	3392	3899	3560	3728	3894	4206	4440	5303	4879	5188	6879
PANTRY REVERSE FULL (2-DR) - 93" or 96" H x 24" or 21" D																				
PRF_15(H)X(D)*	1023	1279	1450	1587	1820	1587	1820	1874	2140	1874	2140	1966	2057	2149	2322	2334	2753	2563	2724	3421
PRF_18(H)X(D)*	1103	1379	1576	1742	1996	1742	1996	2084	2379	2084	2379	2186	2288	2391	2583	2646	3134	2907	3088	3958
PRF_21(H)X(D)*	1189	1486	1710	1903	2179	1903	2179	2300	2627	2300	2627	2413	2525	2639	2851	2965	3521	3256	3462	4501
PRF_24(H)X(D)*	1267	1584	1835	2056	2356	2056	2356	2510	2866	2510	2866	2634	2758	2880	3110	3275	3901	3599	3824	5037
PANTRY REVERSE FULL (4-DR) - 93" or 96" H x 24" or 21" D																				
PRF_24(H)X(D) DD	1390	1737	2027	2252	2608	2252	2608	2714	3127	2714	3127	2848	2982	3114	3363	3436	4079	3775	4013	5152
PRF_27(H)X(D)	1472	1840	2157	2408	2790	2408	2790	2926	3372	2926	3372	3070	3214	3358	3628	3750	4464	4121	4381	5692
PRF_30(H)X(D)	1560	1950	2293	2573	2976	2573	2976	3146	3621	3146	3621	3302	3456	3612	3902	4072	4856	4476	4757	6238
PRF_33(H)X(D)	1640	2050	2420	2725	3153	2725	3153	3355	3860	3355	3860	3521	3685	3852	4160	4382	5236	4817	5120	6776
PRF_36(H)X(D)	1725	2156	2552	2885	3336	2885	3336	3572	4106	3572	4106	3748	3925	4101	4430	4701	5622	5168	5493	7318

"(H) & (D)" Specify overall height & depth | Insert "B" (Base), "M" (Mid) or "V" (Vanity) after "PRF" to designate lower section height

Tall Cabinets

* L or R required

PANTRY REVERSE FULL BASE – 12" DEEP

Overall Cabinet Height	Qty of Adj. Shelves
41-1/4" – 60"	1
60-1/4" – 69"	2
69-1/4" – 78"	3
78-1/4" – 90"	4
90-1/4" – 96"	5

- Lower section has same size door as Full Base (FB), Mid (MFB and FVM) or Vanity (FV)
- Qty of adjustable shelves depends on cabinet height
- Apply IRO modification to add individual roll-outs
- Configuration for upper doors varies by door style (use General Section for upper door configuration)

MODIFICATION LIMITS

Width 9" – 24"
Height ** – 96"
Depth 9" – 12"

** Min. Ht.

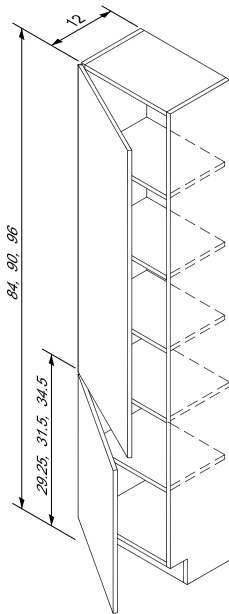
PRFB = 46-1/2"
PRFM = 43-1/2"
PRFV = 41-1/4"

MODIFICATION LIMITS

Width 18" – 36"
Height ** – 96"
Depth 9" – 12"

** Min. Ht.

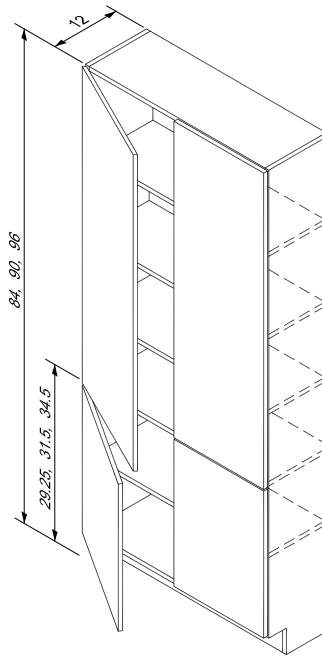
PRFB = 46-1/2"
PRFM = 43-1/2"
PRFV = 41-1/4"



PRF_2DR

84" | 87" | 90" | 93" | 96" H

PRF_15_X12*
PRF_18_X12*
PRF_21_X12*
PRF_24_X12*



PRF_4DR

84" | 87" | 90" | 93" | 96" H

PRF_24_X12DD
PRF_27_X12
PRF_30_X12
PRF_33_X12
PRF_36_X12

Insert "B" (Base), "M" (Mid) or "V" (Vanity) after "PRF" to designate lower section height

HOW TO ORDER

Configuration	Lwr Section	W	H	D	* Swing
PRF	B	21	90	x 12	L

Tall Cabinets

* L or R required

	M0	M1	M2	M3	M3A	M4	M4A	M5	M5A	M6	M6A	M7	M8	M9	M10	M11	M11A	M13	M15	M16
PANTRY REVERSE FULL (2-DR) - 84" H x 12" D																				
PRF_1584X12*	723	904	1057	1179	1360	1179	1360	1428	1640	1428	1640	1498	1567	1637	1769	1822	2162	2000	2123	2751
PRF_1884X12*	772	965	1141	1286	1486	1286	1486	1582	1820	1582	1820	1659	1737	1813	1959	2066	2463	2268	2410	3190
PRF_2184X12*	819	1024	1225	1392	1610	1392	1610	1738	1998	1738	1998	1823	1908	1993	2152	2310	2764	2537	2695	3628
PRF_2484X12*	867	1084	1308	1499	1733	1499	1733	1894	2178	1894	2178	1988	2079	2173	2347	2554	3066	2805	2982	4067
PANTRY REVERSE FULL (4-DR) - 84" H x 12" D																				
PRF_2484X12 DD	989	1236	1498	1694	1988	1694	1988	2098	2441	2098	2441	2201	2303	2407	2600	2993	3558	3289	3495	4181
PRF_2784X12	1038	1297	1582	1801	2112	1801	2112	2254	2619	2254	2619	2364	2474	2586	2793	2958	3546	3250	3453	4620
PRF_3084X12	1086	1357	1665	1908	2235	1908	2235	2408	2798	2408	2798	2527	2646	2763	2985	3202	3848	3518	3740	5057
PRF_3384X12	1134	1418	1749	2015	2361	2015	2361	2564	2978	2564	2978	2690	2817	2943	3178	3446	4148	3787	4025	5497
PRF_3684X12	1182	1477	1832	2122	2485	2122	2485	2720	3156	2720	3156	2854	2988	3122	3373	3690	4450	4055	4311	5934
PANTRY REVERSE FULL (2-DR) - 87" or 90" H x 12" D																				
PRF_15(H)X12*	756	945	1106	1236	1426	1236	1426	1503	1727	1503	1727	1576	1649	1721	1861	1930	2295	2118	2251	2934
PRF_18(H)X12*	807	1009	1197	1352	1562	1352	1562	1672	1922	1672	1922	1754	1835	1916	2071	2195	2620	2410	2561	3407
PRF_21(H)X12*	860	1075	1287	1467	1698	1467	1698	1840	2115	1840	2115	1930	2020	2110	2279	2458	2946	2698	2868	3879
PRF_24(H)X12*	913	1141	1377	1582	1832	1582	1832	2008	2308	2008	2308	2106	2205	2303	2488	2720	3270	2988	3175	4352
PANTRY REVERSE FULL (4-DR) - 87" or 90" H x 12" D																				
PRF_24(H)X12 DD	1035	1294	1569	1779	2084	1779	2084	2212	2571	2212	2571	2320	2429	2537	2741	2882	3450	3165	3365	4466
PRF_27(H)X12	1086	1358	1659	1894	2220	1894	2220	2379	2764	2379	2764	2497	2614	2731	2949	3144	3775	3455	3672	4939
PRF_30(H)X12	1140	1425	1750	2011	2356	2011	2356	2549	2958	2549	2958	2675	2800	2926	3160	3407	4099	3743	3979	5412
PRF_33(H)X12	1193	1491	1840	2127	2490	2127	2490	2717	3153	2717	3153	2851	2985	3119	3370	3672	4425	4035	4289	5883
PRF_36(H)X12	1244	1555	1932	2242	2625	2242	2625	2885	3346	2885	3346	3027	3170	3311	3577	3935	4750	4325	4596	6357
PANTRY REVERSE FULL (2-DR) - 93" or 96" H x 12" D																				
PRF_15(H)X12*	784	980	1152	1289	1489	1289	1489	1576	1810	1576	1810	1652	1728	1806	1952	2035	2424	2235	2374	3112
PRF_18(H)X12*	840	1050	1247	1413	1633	1413	1633	1754	2017	1754	2017	1838	1925	2010	2171	2317	2770	2544	2703	3618
PRF_21(H)X12*	895	1119	1343	1535	1776	1535	1776	1933	2223	1933	2223	2028	2123	2217	2395	2597	3117	2853	3031	4123
PRF_24(H)X12*	950	1187	1438	1659	1918	1659	1918	2112	2429	2112	2429	2215	2318	2422	2617	2878	3463	3161	3360	4627
PANTRY REVERSE FULL (4-DR) - 93" or 96" H x 12" D																				
PRF_24(H)X12 DD	1072	1340	1630	1854	2173	1854	2173	2317	2692	2317	2692	2430	2544	2658	2871	3038	3643	3338	3546	4740
PRF_27(H)X12	1129	1411	1727	1979	2318	1979	2318	2497	2898	2497	2898	2619	2742	2865	3095	3321	3992	3648	3879	5247
PRF_30(H)X12	1186	1482	1825	2103	2463	2103	2463	2678	3107	2678	3107	2810	2941	3073	3319	3604	4342	3960	4209	5755
PRF_33(H)X12	1242	1552	1920	2227	2605	2227	2605	2856	3314	2856	3314	2997	3138	3278	3541	3884	4688	4269	4537	6260
PRF_36(H)X12	1296	1620	2017	2349	2749	2349	2749	3036	3519	3036	3519	3185	3336	3485	3765	4165	5034	4578	4866	6764

"(H)" Specify overall height | Insert "B" (Base), "M" (Mid) or "V" (Vanity) after "PRF" to designate lower section height

Tall Cabinets

* L or R required

PANTRY REVERSE BASE, MID, VANITY

Overall Cabinet Height	Qty of Adj. Shelves
41-1/4" – 60"	1
60-1/4" – 69"	2
69-1/4" – 78"	3
78-1/4" – 90"	4
90-1/4" – 96"	5

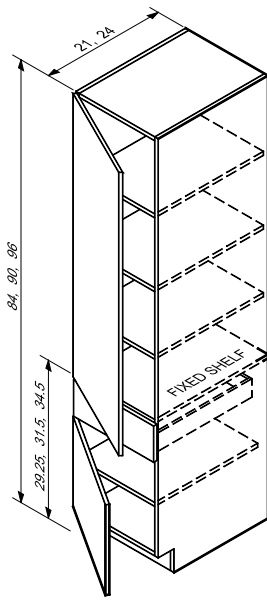
- Lower section has same size door as Base (B), Mid (MB and VM) or Vanity (V)
- Qty of adjustable shelves depends on cabinet height
- Apply **IRO** modification to add individual roll-outs
- Apply **2DF1** modification for two horizontal drawers
- Configuration for upper doors varies by door style (use General Section for upper door configuration)

MODIFICATION LIMITS

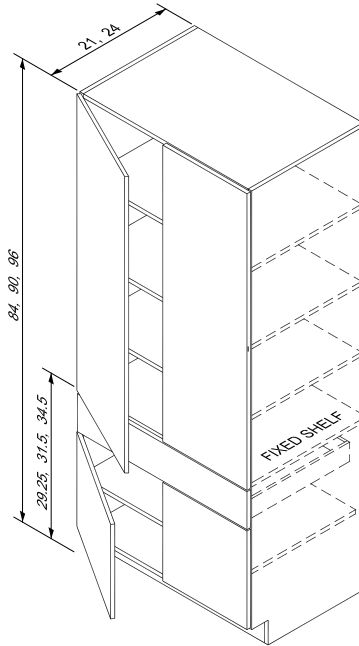
Width	12" – 24"	** Min. Ht. PRB = 46-1/2"
Height	** – 96"	PRM = 43-1/2"
Depth	12" – 30"	PRV = 41-1/4"

MODIFICATION LIMITS

Width	18" – 36"	** Min. Ht. PRB = 46-1/2"
Height	** – 96"	PRM = 43-1/2"
Depth	12" – 30"	PRV = 41-1/4"



Depth note: Drawer and guides do not change when cabinet depth is increased



PR_2

84" | 87" | 90" | 93" | 96" H

PR_15_X21*
PR_18_X21*
PR_21_X21*
PR_24_X21*

PR_15_X24*
PR_18_X24*
PR_21_X24*
PR_24_X24*

PR_4

84" | 87" | 90" | 93" | 96" H

PR_24_X21DD
PR_27_X21
PR_30_X21
PR_33_X21
PR_36_X21

PR_24_X24DD
PR_27_X24
PR_30_X24
PR_33_X24
PR_36_X24

Insert "B" (Base), "M" (Mid) or "V" (Vanity) after "PR" to designate lower section height

HOW TO ORDER

Configuration	Lwr Section	W	H	D	* Swing
PR	B	21	90	x 21	L

Tall Cabinets

* L or R required

	M0	M1	M2	M3	M3A	M4	M4A	M5	M5A	M6	M6A	M7	M8	M9	M10	M11	M11A	M13	M15	M16
PANTRY REVERSE (2-DR) - 84" H x 24" or 21" D																				
PR_1584X(D)*	1024	1280	1433	1555	1764	1555	1764	1805	2044	1805	2044	1886	1969	2050	2206	2198	2564	2402	2544	3136
PR_1884X(D)*	1094	1367	1543	1689	1918	1689	1918	1986	2252	1986	2252	2078	2169	2259	2430	2469	2895	2700	2861	3604
PR_2184X(D)*	1170	1462	1660	1828	2078	1828	2078	2176	2468	2176	2468	2276	2378	2478	2668	2746	3233	3004	3185	4075
PR_2484X(D)*	1238	1548	1771	1962	2230	1962	2230	2357	2675	2357	2675	2468	2578	2686	2893	3017	3563	3302	3502	4542
PANTRY REVERSE (4-DR) - 84" H x 24" or 21" D																				
PR_2484X(D) DD	1361	1701	1962	2159	2485	2159	2485	2561	2937	2561	2937	2681	2802	2921	3146	3178	3743	3480	3690	4656
PR_2784X(D)	1430	1788	2073	2293	2639	2293	2639	2744	3146	2744	3146	2873	3002	3131	3373	3448	4072	3777	4006	5122
PR_3084X(D)	1505	1881	2190	2432	2798	2432	2798	2934	3361	2934	3361	3073	3212	3350	3609	3726	4410	4082	4332	5595
PR_3384X(D)	1575	1969	2300	2566	2953	2566	2953	3116	3568	3116	3568	3263	3411	3558	3835	3997	4740	4381	4650	6062
PR_3684X(D)	1650	2062	2417	2707	3112	2707	3112	3306	3784	3306	3784	3463	3619	3777	4070	4274	5078	4686	4973	6535
PANTRY REVERSE (2-DR) - 87" or 90" H x 24" or 21" D																				
PR_15(H)X(D)*	1074	1342	1504	1633	1854	1633	1854	1901	2154	1901	2154	1988	2076	2162	2327	2329	2722	2546	2697	3341
PR_18(H)X(D)*	1150	1438	1625	1779	2022	1779	2022	2100	2381	2100	2381	2196	2293	2390	2573	2622	3080	2868	3041	3845
PR_21(H)X(D)*	1232	1540	1752	1932	2196	1932	2196	2305	2614	2305	2614	2412	2519	2627	2829	2922	3445	3199	3392	4355
PR_24(H)X(D)*	1308	1635	1871	2076	2363	2076	2363	2502	2839	2502	2839	2619	2736	2853	3071	3214	3801	3519	3733	4857
PANTRY REVERSE (4-DR) - 87" or 90" H x 24" or 21" D																				
PR_24(H)X(D) DD	1430	1788	2062	2273	2615	2273	2615	2705	3100	2705	3100	2832	2960	3087	3324	3373	3979	3694	3919	4971
PR_27(H)X(D)	1506	1883	2183	2418	2783	2418	2783	2904	3328	2904	3328	3041	3178	3316	3572	3667	4337	4018	4262	5475
PR_30(H)X(D)	1587	1984	2310	2571	2956	2571	2956	3107	3560	3107	3560	3255	3402	3550	3824	3967	4701	4347	4613	5985
PR_33(H)X(D)	1663	2079	2429	2715	3124	2715	3124	3306	3785	3306	3785	3463	3619	3777	4070	4260	5059	4671	4957	6489
PR_36(H)X(D)	1745	2181	2556	2868	3297	2868	3297	3511	4018	3511	4018	3679	3847	4013	4325	4559	5422	4998	5307	6998
PANTRY REVERSE (2-DR) - 93" or 96" H x 24" or 21" D																				
PR_15(H)X(D)*	1118	1398	1569	1706	1939	1706	1939	1993	2259	1993	2259	2084	2176	2268	2441	2452	2871	2681	2842	3540
PR_18(H)X(D)*	1198	1498	1694	1861	2115	1861	2115	2203	2498	2203	2498	2305	2407	2510	2702	2764	3253	3026	3207	4077
PR_21(H)X(D)*	1283	1604	1828	2022	2298	2022	2298	2418	2746	2418	2746	2532	2644	2758	2970	3083	3640	3375	3580	4620
PR_24(H)X(D)*	1362	1703	1954	2174	2474	2174	2474	2629	2985	2629	2985	2753	2876	2999	3229	3394	4020	3718	3943	5156
PANTRY REVERSE (4-DR) - 93" or 96" H x 24" or 21" D																				
PR_24(H)X(D) DD	1484	1855	2145	2371	2727	2371	2727	2832	3246	2832	3246	2966	3100	3233	3482	3555	4198	3894	4131	5271
PR_27(H)X(D)	1567	1959	2276	2527	2909	2527	2909	3044	3490	3044	3490	3188	3333	3477	3746	3869	4583	4240	4499	5810
PR_30(H)X(D)	1655	2069	2412	2692	3095	2692	3095	3265	3740	3265	3740	3421	3575	3731	4021	4191	4974	4594	4876	6357
PR_33(H)X(D)	1735	2169	2539	2844	3272	2844	3272	3473	3979	3473	3979	3640	3804	3970	4279	4501	5354	4935	5239	6894
PR_36(H)X(D)	1819	2274	2671	3004	3455	3004	3455	3690	4225	3690	4225	3867	4043	4220	4549	4820	5741	5286	5612	7437

"(H) & (D)" Specify overall height & depth | Insert "B" (Base), "M" (Mid) or "V" (Vanity) after "PRF" to designate lower section height

Tall Cabinets

* L or R required

PANTRY REVERSE BASE, MID, VANITY 3-DRAWER

Overall Cabinet Height	Qty of Adj. Shelves
41-1/4" – 60"	0
60-1/4" – 69"	1
69-1/4" – 78"	2
78-1/4" – 90"	3
90-1/4" – 96"	4

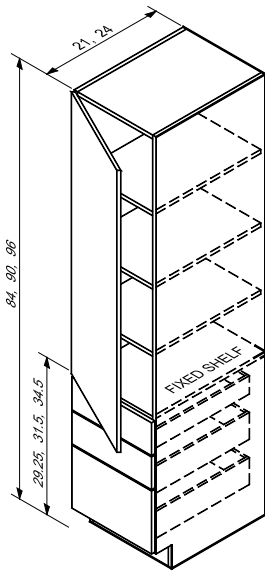
- Lower section has same size drawers as Base (B3D), Mid (MB3D and VM3D) or Vanity (V3D) 3-Drawer
- Qty of adjustable shelves depends on cabinet height
- Apply **IRO** modification to add individual roll-outs
- Apply **2DF1** modification for two horizontal drawers
- Configuration for upper doors varies by door style (use General Section for upper door configuration)

MODIFICATION LIMITS

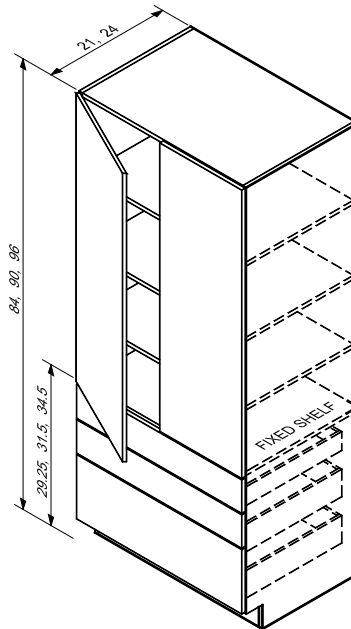
Width	12" – 24"	** Min. Ht. PRB = 46-1/2"
Height	** – 96"	PRM = 43-1/2"
Depth	12" – 30"	PRV = 41-1/4"

MODIFICATION LIMITS

Width	18" – 36"	** Min. Ht. PRB = 46-1/2"
Height	** – 96"	PRM = 43-1/2"
Depth	12" – 30"	PRV = 41-1/4"



Depth note: Drawer and guides do not change when cabinet depth is increased



PR_1DR3DWR

84" | 87" | 90" | 93" | 96" H

PR_3D15__X21*
PR_3D18__X21*
PR_3D21__X21*
PR_3D24__X21*

PR_3D15__X24*
PR_3D18__X24*
PR_3D21__X24*
PR_3D24__X24*

PR_2DR3DWR

84" | 87" | 90" | 93" | 96" H

PR_3D24__X21DD
PR_3D27__X21
PR_3D30__X21
PR_3D33__X21
PR_3D36__X21

PR_3D24__X24DD
PR_3D27__X24
PR_3D30__X24
PR_3D33__X24
PR_3D36__X24

Insert "B" (Base), "M" (Mid) or "V" (Vanity) after "PRF" to designate lower section height

HOW TO ORDER

Configuration	Lwr Section	W	H	D	* Swing
PR	B3D	21	90	x 21	L

Tall Cabinets

* L or R required

	M0	M1	M2	M3	M3A	M4	M4A	M5	M5A	M6	M6A	M7	M8	M9	M10	M11	M11A	M13	M15	M16
PANTRY REVERSE (1-DR/3-DWR) - 84" H x 24" or 21" D																				
PR_3D1584X(D)*	1214	1518	1671	1793	2001	1793	2001	2042	2281	2042	2281	2123	2206	2288	2444	2435	2802	2639	2781	3373
PR_3D1884X(D)*	1283	1604	1781	1927	2156	1927	2156	2223	2490	2223	2490	2315	2407	2497	2668	2707	3133	2937	3099	3841
PR_3D2184X(D)*	1359	1699	1898	2066	2315	2066	2315	2413	2705	2413	2705	2513	2615	2715	2905	2983	3470	3241	3423	4313
PR_3D2484X(D)*	1429	1786	2008	2200	2468	2200	2468	2595	2912	2595	2912	2705	2815	2924	3131	3255	3801	3540	3740	4779
PANTRY REVERSE (2-DR/3-DWR) - 84" H x 24" or 21" D																				
PR_3D2484X(D)DD	1551	1939	2200	2396	2722	2396	2722	2798	3175	2798	3175	2919	3039	3158	3384	3416	3981	3718	3928	4893
PR_3D2784X(D)	1620	2025	2310	2530	2876	2530	2876	2982	3384	2982	3384	3110	3239	3368	3611	3685	4310	4014	4243	5359
PR_3D3084X(D)	1694	2118	2427	2670	3036	2670	3036	3172	3599	3172	3599	3311	3450	3587	3847	3964	4647	4320	4569	5833
PR_3D3384X(D)	1765	2206	2537	2803	3190	2803	3190	3353	3806	3353	3806	3501	3648	3796	4072	4235	4978	4618	4888	6299
PR_3D3684X(D)	1840	2300	2654	2944	3350	2944	3350	3543	4021	3543	4021	3701	3857	4014	4308	4511	5315	4923	5210	6772
PANTRY REVERSE (1-DR/3-DWR) - 87" or 90" H x 24" or 21" D																				
PR_3D15(H)X(D)*	1263	1579	1742	1871	2091	1871	2091	2139	2391	2139	2391	2225	2313	2400	2564	2566	2960	2783	2934	3579
PR_3D18(H)X(D)*	1341	1676	1862	2017	2259	2017	2259	2337	2619	2337	2619	2434	2530	2627	2810	2859	3317	3105	3278	4082
PR_3D21(H)X(D)*	1422	1777	1989	2169	2434	2169	2434	2542	2851	2542	2851	2649	2756	2865	3066	3160	3682	3436	3629	4593
PR_3D24(H)X(D)*	1498	1872	2108	2313	2600	2313	2600	2739	3077	2739	3077	2856	2973	3090	3309	3451	4038	3757	3970	5095
PANTRY REVERSE (2-DR/3-DWR) - 87" or 90" H x 24" or 21" D																				
PR_3D24(H)X(D)DD	1620	2025	2300	2510	2853	2510	2853	2943	3338	2943	3338	3070	3197	3324	3562	3611	4216	3931	4157	5208
PR_3D27(H)X(D)	1696	2120	2420	2656	3021	2656	3021	3141	3565	3141	3565	3278	3416	3553	3809	3904	4574	4255	4499	5712
PR_3D30(H)X(D)	1778	2222	2547	2809	3194	2809	3194	3345	3797	3345	3797	3492	3640	3787	4062	4204	4939	4584	4851	6223
PR_3D33(H)X(D)	1854	2317	2666	2953	3361	2953	3361	3543	4023	3543	4023	3701	3857	4014	4308	4498	5297	4908	5195	6726
PR_3D36(H)X(D)	1934	2418	2793	3105	3534	3105	3534	3748	4255	3748	4255	3916	4084	4250	4562	4796	5660	5236	5544	7235
PANTRY REVERSE (1-DR/3-DWR) - 93" or 96" H x 24" or 21" D																				
PR_3D15(H)X(D)*	1308	1635	1806	1944	2176	1944	2176	2230	2497	2230	2497	2322	2413	2505	2678	2690	3109	2919	3080	3777
PR_3D18(H)X(D)*	1388	1735	1932	2098	2352	2098	2352	2441	2736	2441	2736	2542	2644	2748	2939	3002	3490	3263	3445	4315
PR_3D21(H)X(D)*	1474	1842	2066	2259	2536	2259	2536	2656	2983	2656	2983	2770	2882	2995	3207	3321	3877	3612	3818	4857
PR_3D24(H)X(D)*	1552	1940	2191	2412	2712	2412	2712	2866	3222	2866	3222	2990	3114	3236	3467	3631	4257	3955	4181	5393
PANTRY REVERSE (2-DR/3-DWR) - 93" or 96" H x 24" or 21" D																				
PR_3D24(H)X(D)DD	1674	2093	2383	2608	2965	2608	2965	3070	3484	3070	3484	3204	3338	3470	3719	3792	4435	4131	4369	5509
PR_3D27(H)X(D)	1757	2196	2513	2764	3146	2764	3146	3282	3728	3282	3728	3426	3570	3714	3984	4106	4820	4477	4737	6048
PR_3D30(H)X(D)	1846	2307	2649	2929	3333	2929	3333	3502	3977	3502	3977	3658	3813	3969	4259	4428	5212	4832	5113	6594
PR_3D33(H)X(D)	1926	2407	2776	3082	3509	3082	3509	3711	4216	3711	4216	3877	4042	4208	4516	4739	5592	5173	5476	7132
PR_3D36(H)X(D)	2010	2512	2909	3241	3692	3241	3692	3928	4462	3928	4462	4104	4281	4457	4786	5057	5978	5524	5850	7674

"(H) & (D)" Specify overall height & depth | Insert "B" (Base), "M" (Mid) or "V" (Vanity) after "PRF" to designate lower section height

Tall Cabinets

* L or R required

PANTRY REVERSE BASE, MID 4-DRAWER

Overall Cabinet Height	Qty of Adj. Shelves
43-1/2" – 60"	0
60-1/4" – 69"	1
69-1/4" – 78"	2
78-1/4" – 90"	3
90-1/4" – 96"	4

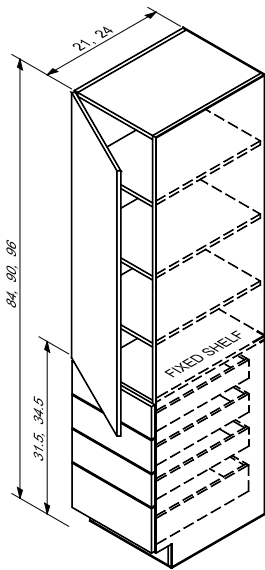
- Lower section has same size drawers as Base (B4D) or Mid (MB4D and VM4D)
- Qty of adjustable shelves depends on cabinet height
- Apply **IRO** modification to add individual roll-outs
- Apply **2DF1** modification for two horizontal drawers
- Configuration for upper doors varies by door style (use General Section for upper door configuration)

MODIFICATION LIMITS

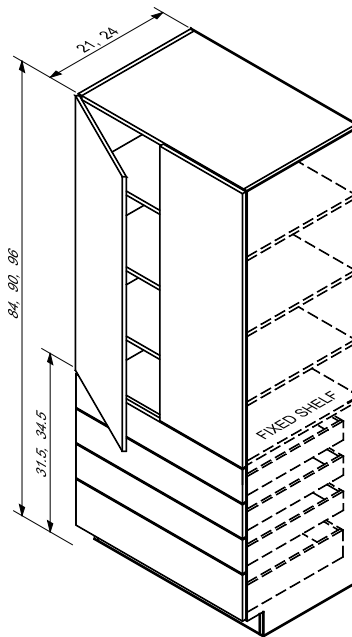
Width	12" – 24"	** Min. Ht. PRFB = 46-1/2"
Height	** – 96"	PRFM = 43-1/2"
Depth	12" – 30"	

MODIFICATION LIMITS

Width	18" – 36"	** Min. Ht. PRFB = 46-1/2"
Height	** – 96"	PRFM = 43-1/2"
Depth	12" – 30"	



Depth note: Drawer and guides do not change when cabinet depth is increased



PR_1DR4DWR

84" | 87" | 90" | 93" | 96" H

PR_4D15__X21*
PR_4D18__X21*
PR_4D21__X21*
PR_4D24__X21*

PR_4D15__X24*
PR_4D18__X24*
PR_4D21__X24*
PR_4D24__X24*

PR_2DR4DWR

84" | 87" | 90" | 93" | 96" H

PR_4D24__X21DD
PR_4D27__X21
PR_4D30__X21
PR_4D33__X21
PR_4D36__X21

PR_4D24__X24DD
PR_4D27__X24
PR_4D30__X24
PR_4D33__X24
PR_4D36__X24

Insert "B" (Base), "M" (Mid) or "V" (Vanity) after "PRF" to designate lower section height

HOW TO ORDER

Configuration	Lwr Section	W	H	D	* Swing
PR	B4D	21	90	x 21	L

Tall Cabinets

* L or R required

	M0	M1	M2	M3	M3A	M4	M4A	M5	M5A	M6	M6A	M7	M8	M9	M10	M11	M11A	M13	M15	M16
PANTRY REVERSE (1-DR/4-DWR) - 84" H x 24" or 21" D																				
PR_4D1584X(D)*	1242	1552	1704	1827	2035	1827	2035	2076	2315	2076	2315	2157	2240	2322	2478	2469	2836	2673	2815	3407
PR_4D1884X(D)*	1310	1638	1815	1961	2190	1961	2190	2257	2524	2257	2524	2349	2441	2530	2702	2741	3166	2971	3133	3875
PR_4D2184X(D)*	1386	1733	1932	2100	2349	2100	2349	2447	2739	2447	2739	2547	2649	2749	2939	3017	3504	3275	3456	4347
PR_4D2484X(D)*	1456	1820	2042	2234	2502	2234	2502	2629	2946	2629	2946	2739	2849	2958	3165	3289	3835	3573	3774	4813
PANTRY REVERSE (2-DR/4-DWR) - 84" H x 24" or 21" D																				
PR_4D2484X(D)DD	1578	1972	2234	2430	2756	2430	2756	2832	3209	2832	3209	2953	3073	3192	3417	3450	4014	3752	3962	4927
PR_4D2784X(D)	1647	2059	2344	2564	2910	2564	2910	3015	3417	3015	3417	3144	3273	3402	3645	3719	4343	4048	4277	5393
PR_4D3084X(D)	1722	2152	2461	2703	3070	2703	3070	3205	3633	3205	3633	3345	3484	3621	3880	3997	4681	4354	4603	5866
PR_4D3384X(D)	1792	2240	2571	2837	3224	2837	3224	3387	3840	3387	3840	3534	3682	3830	4106	4269	5012	4652	4922	6333
PR_4D3684X(D)	1867	2334	2688	2978	3384	2978	3384	3577	4055	3577	4055	3735	3891	4048	4342	4545	5349	4957	5244	6806
PANTRY REVERSE (1-DR/4-DWR) - 87" or 90" H x 24" or 21" D																				
PR_4D15(H)X(D)*	1290	1613	1776	1905	2125	1905	2125	2173	2425	2173	2425	2259	2347	2434	2598	2600	2993	2817	2968	3612
PR_4D18(H)X(D)*	1368	1710	1896	2050	2293	2050	2293	2371	2653	2371	2653	2468	2564	2661	2844	2893	3351	3139	3312	4116
PR_4D21(H)X(D)*	1449	1811	2023	2203	2468	2203	2468	2576	2885	2576	2885	2683	2790	2898	3100	3194	3716	3470	3663	4627
PR_4D24(H)X(D)*	1525	1906	2142	2347	2634	2347	2634	2773	3110	2773	3110	2890	3007	3124	3343	3485	4072	3791	4004	5129
PANTRY REVERSE (2-DR/4-DWR) - 87" or 90" H x 24" or 21" D																				
PR_4D24(H)X(D)DD	1647	2059	2334	2544	2887	2544	2887	2976	3372	2976	3372	3104	3231	3358	3596	3645	4250	3965	4191	5242
PR_4D27(H)X(D)	1723	2154	2454	2690	3054	2690	3054	3175	3599	3175	3599	3312	3450	3587	3843	3938	4608	4289	4533	5746
PR_4D30(H)X(D)	1805	2256	2581	2842	3227	2842	3227	3378	3831	3378	3831	3526	3674	3821	4096	4238	4973	4618	4884	6257
PR_4D33(H)X(D)	1881	2351	2700	2987	3395	2987	3395	3577	4057	3577	4057	3735	3891	4048	4342	4532	5331	4942	5229	6760
PR_4D36(H)X(D)	1962	2452	2827	3139	3568	3139	3568	3782	4289	3782	4289	3950	4118	4284	4596	4830	5693	5269	5578	7269
PANTRY REVERSE (1-DR/4-DWR) - 93" or 96" H x 24" or 21" D																				
PR_4D15(H)X(D)*	1335	1669	1840	1978	2210	1978	2210	2264	2530	2264	2530	2356	2447	2539	2712	2724	3143	2953	3114	3811
PR_4D18(H)X(D)*	1415	1769	1966	2132	2386	2132	2386	2474	2770	2474	2770	2576	2678	2781	2973	3036	3524	3297	3478	4349
PR_4D21(H)X(D)*	1501	1876	2100	2293	2569	2293	2569	2690	3017	2690	3017	2803	2915	3029	3241	3355	3911	3646	3852	4891
PR_4D24(H)X(D)*	1579	1974	2225	2446	2746	2446	2746	2900	3256	2900	3256	3024	3148	3270	3501	3665	4291	3989	4215	5427
PANTRY REVERSE (2-DR/4-DWR) - 93" or 96" H x 24" or 21" D																				
PR_4D24(H)X(D)DD	1702	2127	2417	2642	2999	2642	2999	3104	3518	3104	3518	3238	3372	3504	3753	3826	4469	4165	4403	5543
PR_4D27(H)X(D)	1784	2230	2547	2798	3180	2798	3180	3316	3762	3316	3762	3460	3604	3748	4018	4140	4854	4511	4771	6082
PR_4D30(H)X(D)	1872	2340	2683	2963	3367	2963	3367	3536	4011	3536	4011	3692	3847	4003	4293	4462	5246	4866	5147	6628
PR_4D33(H)X(D)	1953	2441	2810	3116	3543	3116	3543	3745	4250	3745	4250	3911	4075	4242	4550	4773	5626	5207	5510	7166
PR_4D36(H)X(D)	2037	2546	2943	3275	3726	3275	3726	3962	4496	3962	4496	4138	4315	4491	4820	5091	6012	5558	5883	7708

"(H) & (D)" Specify overall height & depth | Insert "B" (Base) or "M" (Mid) after "PRF" to designate lower section height

Tall Cabinets

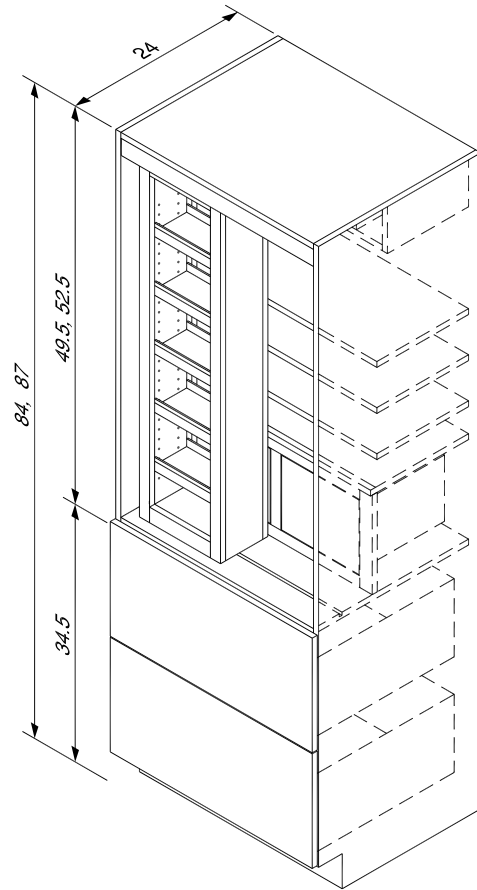
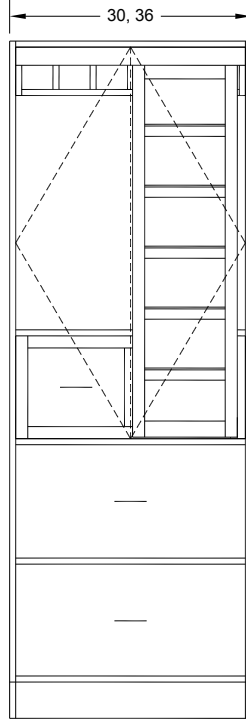
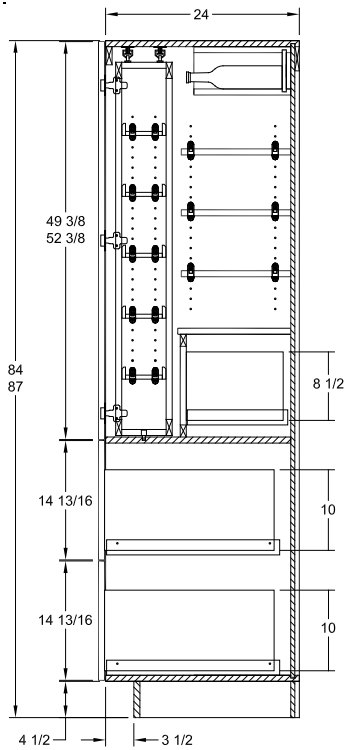
PANTRY LARDER STORAGE – 84" AND 87" H

MODIFICATION LIMITS

Width No Width Mods
 Height No Height Mods
 Depth 24" – 30"

- Features: sliding spice rack, open cubby hole, three adj shelves and interior drawer boxes
- Cabinet box: plywood construction only (up-charges apply)
- Cabinet Interior: WGL or WHV only (FMI not available)

- Interior drawer boxes: Inset, H edge detail, Slab, HWDWR, UMFEQ-IM and preselected decorative hardware included
- Interior drawers finish: Natural Maple when WGL or White painted Maple when WHV
- Sliding spice rack: Always natural Maple



Shown without doors to expose interior features

	M0	M1	M2	M3	M3A	M4	M4A	M5	M5A	M6	M6A	M7	M8	M9	M10	M11	M11A	M13	M15	M16	
PL - 84" H																					
PL3084X24	5654	7069	7378	7627	8039	7669	8085	8205	8692	8161	8643	8300	8470	8607	8887	9133	9896	9401	9701	11082	
PL3684X24	5912	7391	7747	8044	8505	8092	8556	8731	9281	8682	9226	8840	9033	9191	9508	9855	10754	10173	10520	12211	
PL - 87" H																					
PL3087X24	5738	7172	7498	7766	8197	7808	8243	8378	8890	8334	8841	8482	8660	8807	9102	9374	10188	9666	9983	11472	
PL3687X24	6007	7510	7886	8205	8690	8253	8741	8936	9515	8887	9460	9055	9260	9426	9762	10140	11099	10485	10854	12674	

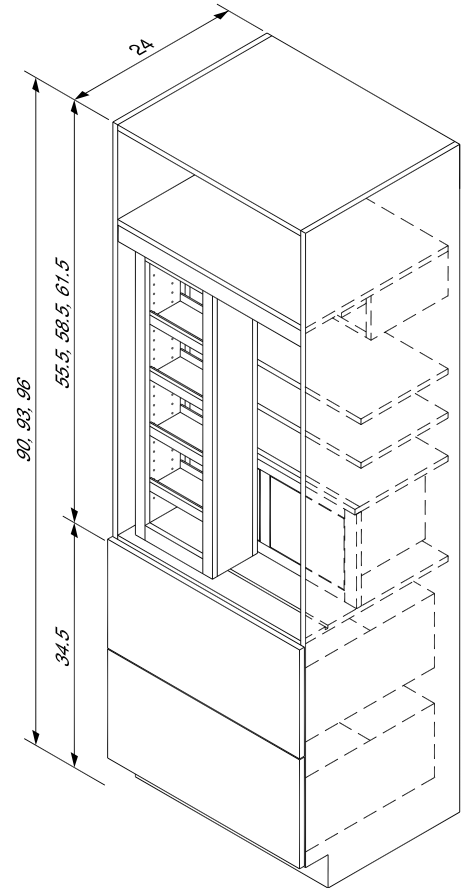
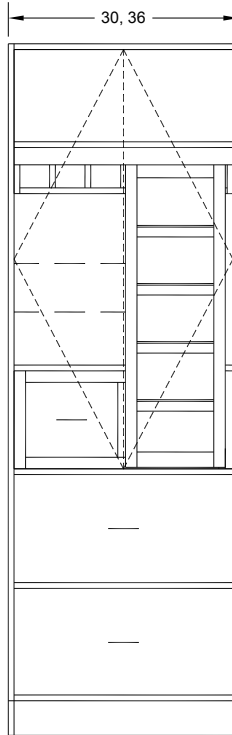
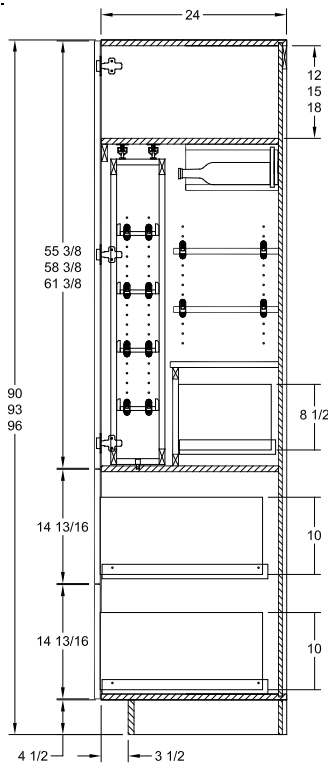
Tall Cabinets

PANTRY LARDER STORAGE – 90", 93" & 96" H

- See notes at left
- Two adjustable shelves

MODIFICATION LIMITS

Width No Width Mods
 Height No Height Mods
 Depth 24" – 30"



Shown without doors to expose interior features

	M0	M1	M2	M3	M3A	M4	M4A	M5	M5A	M6	M6A	M7	M8	M9	M10	M11	M11A	M13	M15	M16	
PL - 90" H																					
PL3090X24	5738	7172	7498	7766	8197	7808	8243	8378	8890	8334	8841	8482	8660	8807	9102	9374	10188	9666	9983	11472	
PL3690X24	6007	7510	7886	8205	8690	8253	8741	8936	9515	8887	9460	9055	9260	9426	9762	10140	11099	10485	10854	12674	
PL - 93" or 96" H																					
PL30(H)X24	5805	7257	7600	7886	8336	7929	8382	8536	9070	8492	9021	8648	8833	8989	9299	9598	10461	9913	10246	11843	
PL36(H)X24	6082	7603	8002	8341	8848	8388	8899	9116	9721	9067	9667	9243	9457	9633	9986	10402	11417	10773	11160	13113	

"(H)" Specify overall height

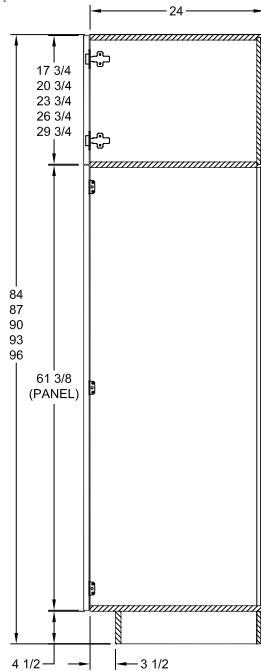
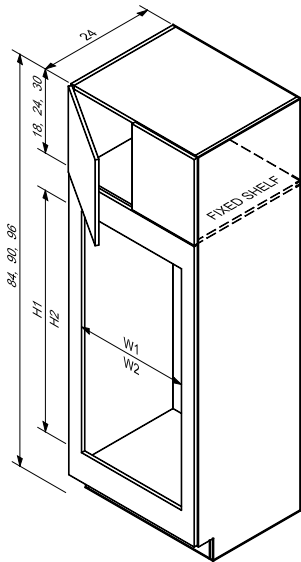
Tall Cabinets

UNIVERSAL OVEN – NO DRAWER

MODIFICATION LIMITS

Width 24" – 36"
 Height 78" – 96"
 Depth 24" – 30"

Overall Cabinet Height	Qty of Adj. Shelves
78" – 90"	0
90-1/4" – 96"	1



- Over 90" H ships with loose toekick
- Removable oven panel attaches to face of cabinet and has same edge detail as door
- **Solid Wood, Mitered & M&T door styles:** Panel is stile and rail construction. Wide stiles and rails allow opening size to be enlarged in field. Removal of screws from back side of panel may be required before cutting.

- Standard opening for wood door styles will be minimum cutout dimensions (see size charts below)
- Cutouts are centered vertically and horizontally
- **Acrylic, Foil, Greenlam, HPL, LPL, Thermofoil, TSS, Wood Veneer and Bamboo Plywood door styles:** Removable panel is a one-piece, slab construction, with no opening and is shipped attached. Field cutout required.
- Two oven shelves and four cleats are tacked to interior cabinet end for field install
- Custom factory cutouts are available, apply Custom Cutout Modification. See pg M-13 for CC1, CC2, and CC3 specs and pricing. Minimum and maximum cutout dimensions listed below.

UOVND

84" | 87" | 90" | 93" | 96" H

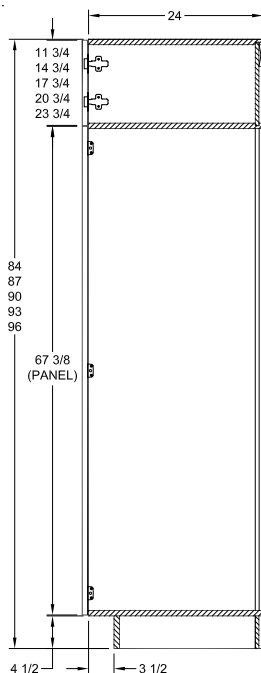
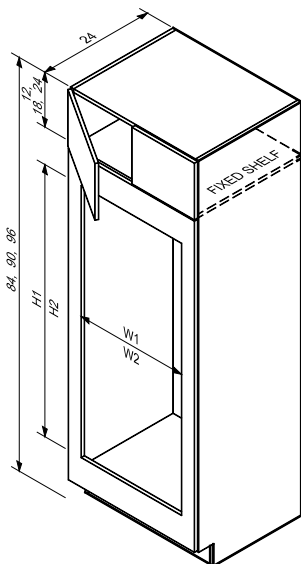
UOV27(H)-ND
 UOV30(H)-ND
 UOV33(H)-ND

Cabinet Width	Actual Panel Size	Cutout Width		Cutout Height	
		* Min.	Max.	* Min.	Max.
27"	26-7/8" x 61-3/8"	18"	24"	43-1/2"	58-1/2"
30"	29-7/8" x 61-3/8"	21"	27"	43-1/2"	58-1/2"
33"	32-7/8" x 61-3/8"	24"	30"	43-1/2"	58-1/2"

UOV – NO DRAWER, SHORT UPPER

MODIFICATION LIMITS

Width 24" – 36"
 Height 84" – 96"
 Depth 24" – 30"



- See notes above
- No adjustable shelves

UOVNDS

84" | 87" | 90" | 93" | 96" H

UOV27(H)-NDS
 UOV30(H)-NDS
 UOV33(H)-NDS

Cabinet Width	Actual Panel Size	Cutout Width		Cutout Height	
		* Min.	Max.	* Min.	Max.
27"	26-7/8" x 67-3/8"	18"	24"	49-1/2"	64-1/2"
30"	29-7/8" x 67-3/8"	21"	27"	49-1/2"	64-1/2"
33"	32-7/8" x 67-3/8"	24"	30"	49-1/2"	64-1/2"

* See note above regarding minimum cutout dimensions

Tall Cabinets

	M0	M1	M2	M3	M3A	M4	M4A	M5	M5A	M6	M6A	M7	M8	M9	M10	M11	M11A	M13	M15	M16	
UOV - NO DRAWER - 84" H																					
UOV2784-ND	1452	1815	1896	2366	2469	2366	2469	2469	2598	2469	2598	2591	2712	2834	3061	2878	3021	3161	3290	3468	
UOV3084-ND	1558	1947	2035	2590	2703	2590	2703	2703	2851	2703	2851	2836	2970	3102	3351	3127	3282	3436	3596	3757	
UOV3384-ND	1662	2078	2173	2742	2870	2742	2870	2870	3036	2870	3036	3010	3153	3294	3558	3377	3543	3711	3867	4045	
UOV - NO DRAWER - 87" or 90" H																					
UOV27(H)-ND	1522	1903	2000	2486	2622	2486	2622	2622	2810	2622	2810	2751	2880	3009	3250	3090	3243	3395	3562	3689	
UOV30(H)-ND	1639	2049	2154	2727	2876	2727	2876	2876	3092	2876	3092	3019	3160	3302	3567	3368	3534	3701	3875	3955	
UOV33(H)-ND	1750	2188	2300	2892	3056	2892	3056	3056	3299	3056	3299	3207	3358	3509	3791	3640	3819	3999	4215	4367	
UOV - NO DRAWER - 93" or 96" H																					
UOV27(H)-ND	1593	1991	2106	2608	2778	2608	2778	2778	3026	2778	3026	2915	3051	3188	3445	3306	3468	3631	3858	4011	
UOV30(H)-ND	1716	2145	2269	2856	3046	2856	3046	3046	3326	3046	3326	3197	3346	3497	3777	3602	3780	3958	4208	4338	
UOV33(H)-ND	1832	2290	2420	3034	3239	3034	3239	3239	3553	3239	3553	3399	3560	3719	4018	3894	4087	4279	4549	4703	

"(H)" Specify overall height

	M0	M1	M2	M3	M3A	M4	M4A	M5	M5A	M6	M6A	M7	M8	M9	M10	M11	M11A	M13	M15	M16	
UOV - NO DWR, SHORT UPPER - 84" H																					
UOV2784-NDS	1438	1798	1874	2337	2435	2337	2435	2427	2549	2427	2549	2547	2664	2785	3009	2810	2943	3087	3204	3351	
UOV3084-NDS	1542	1928	2010	2556	2664	2556	2664	2656	2795	2656	2795	2785	2917	3046	3292	3053	3195	3353	3499	3626	
UOV3384-NDS	1646	2057	2145	2707	2827	2707	2827	2817	2975	2817	2975	2956	3095	3233	3492	3295	3450	3621	3762	3901	
UOV - NO DWR, SHORT UPPER - 87" or 90" H																					
UOV27(H)-NDS	1495	1869	1954	2430	2558	2430	2558	2541	2717	2541	2717	2666	2790	2915	3149	2965	3099	3258	3400	3473	
UOV30(H)-NDS	1609	2011	2105	2664	2803	2664	2803	2787	2988	2787	2988	2924	3061	3199	3455	3231	3375	3548	3697	3716	
UOV33(H)-NDS	1718	2147	2246	2824	2978	2824	2978	3043	3187	2958	3187	3104	3251	3397	3668	3489	3645	3833	4020	4106	
UOV - NO DWR, SHORT UPPER - 93" or 96" H																					
UOV27(H)-NDS	1570	1962	2069	2564	2727	2564	2727	2717	2956	2717	2956	2851	2985	3119	3368	3216	3365	3533	3743	3862	
UOV30(H)-NDS	1690	2113	2229	2807	2990	2807	2990	2980	3250	2980	3250	3127	3273	3421	3696	3502	3665	3850	4079	4172	
UOV33(H)-NDS	1805	2256	2376	2982	3178	2982	3178	3082	3470	3166	3470	3322	3480	3636	3928	3785	3964	4160	4410	4520	

"(H)" Specify overall height

CUSTOM CUTOUT MODIFICATIONS

	MSRP	
CC1	382	• See pg M-13 for custom cutout details
CC2	127	
CC3	127	

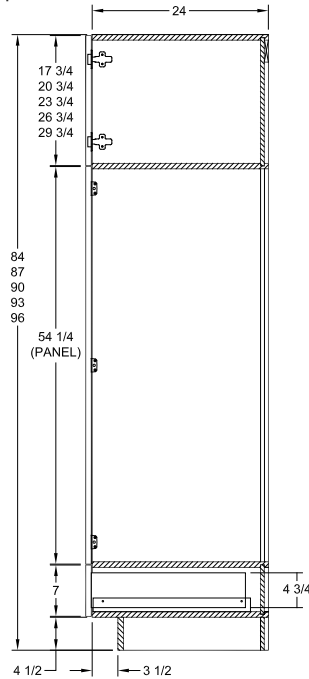
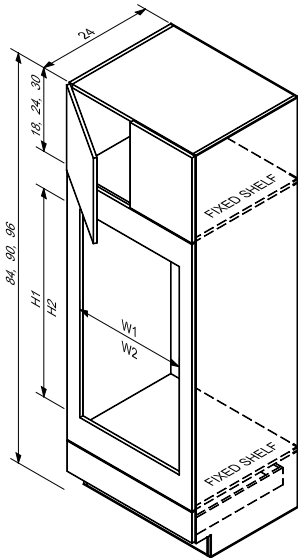
Tall Cabinets

UNIVERSAL OVEN – 1 SHALLOW DRAWER

MODIFICATION LIMITS

Width 24" – 36"
 Height 78" – 96"
 Depth 24" – 30"

Overall Cabinet Height	Qty of Adj. Shelves
78" – 90"	0
90-1/4" – 96"	1



- Over 90" H ships with loose toekick
- Height modifications made to upper section
- Removable oven panel attaches to face of cabinet and has same edge detail as door
- **Solid Wood, Mitered & M&T door styles:** Panel is stile and rail construction. Wide stiles and rails allow opening size to be enlarged in field. Removal of screws from back side of panel may be required before cutting.

- Standard opening for wood door styles will be minimum cutout dimensions (see size charts below)
- Cutouts are centered vertically and horizontally
- **Acrylic, Foil, Greenlam, HPL, LPL, Thermofoil, TSS, Wood Veneer and Bamboo Plywood door styles:** Removable panel is a one-piece, slab construction, with no opening and is shipped attached. Field cutout required.
- Two oven shelves and four cleats are tacked to interior cabinet end for field install
- Custom factory cutouts are available, apply Custom Cutout Modification. See pg M-13 for CC1, CC2, and CC3 specs and pricing. Minimum and maximum cutout dimensions listed below.
- Apply 2DF1 mod. for two horizontal drawers

UOV1S

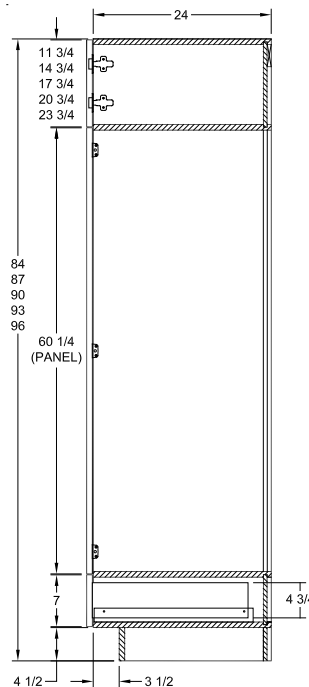
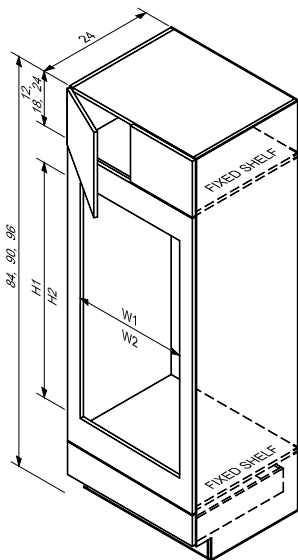
84" | 87" | 90" | 93" | 96" H
 UOV27(H)-1S
 UOV30(H)-1S
 UOV33(H)-1S

Cabinet Width	Actual Panel Size	Cutout Width		Cutout Height	
		* Min.	Max.	* Min.	Max.
27"	26-7/8" x 54-1/4"	18"	24"	36-3/8"	51-3/8"
30"	29-7/8" x 54-1/4"	21"	27"	36-3/8"	51-3/8"
33"	32-7/8" x 54-1/4"	24"	30"	36-3/8"	51-3/8"

UOV – 1 SHALLOW DRAWER, SHORT UPPER

MODIFICATION LIMITS

Width 24" – 36"
 Height 84" – 96"
 Depth 24" – 30"



- See notes and adjustable shelf chart above

UOV1SS

84" | 87" | 90" | 93" | 96" H
 UOV27(H)-1SS
 UOV30(H)-1SS
 UOV33(H)-1SS

Cabinet Width	Actual Panel Size	Cutout Width		Cutout Height	
		* Min.	Max.	* Min.	Max.
27"	26-7/8" x 60-1/4"	18"	24"	42-3/8"	57-3/8"
30"	29-7/8" x 60-1/4"	21"	27"	42-3/8"	57-3/8"
33"	32-7/8" x 60-1/4"	24"	30"	42-3/8"	57-3/8"

* See note above regarding minimum cutout dimensions

Tall Cabinets

	M0	M1	M2	M3	M3A	M4	M4A	M5	M5A	M6	M6A	M7	M8	M9	M10	M11	M11A	M13	M15	M16	
UOV - 1 SHALLOW DRAWER - 84" H																					
UOV2784-1S	1460	1825	1928	2386	2490	2386	2490	2490	2663	2490	2663	2612	2734	2856	3085	2915	3060	3202	3404	3587	
UOV3084-1S	1563	1954	2066	2573	2686	2573	2686	2686	2885	2686	2885	2819	2951	3083	3331	3165	3321	3477	3694	3858	
UOV3384-1S	1666	2083	2201	2758	2885	2758	2885	2885	3105	2885	3105	3026	3168	3311	3577	3414	3582	3752	3987	4113	
UOV - 1 SHALLOW DRAWER - 87" or 90" H																					
UOV27(H)-1S	1530	1913	2032	2507	2642	2507	2642	2642	2875	2642	2875	2771	2902	3031	3273	3127	3282	3436	3651	3824	
UOV30(H)-1S	1645	2056	2184	2710	2859	2710	2859	2859	3126	2859	3126	3000	3141	3282	3545	3406	3573	3741	3977	4087	
UOV33(H)-1S	1754	2193	2329	2907	3071	2907	3071	3071	3368	3071	3368	3222	3375	3526	3809	3677	3858	4040	4294	4432	
UOV - 1 SHALLOW DRAWER - 93" or 96" H																					
UOV27(H)-1S	1601	2001	2139	2629	2798	2629	2798	2798	3090	2798	3090	2936	3073	3211	3468	3343	3507	3674	3904	4087	
UOV30(H)-1S	1722	2152	2300	2841	3029	2841	3029	3029	3360	3029	3360	3178	3328	3477	3755	3640	3819	3999	4250	4471	
UOV33(H)-1S	1836	2295	2449	3049	3255	3049	3255	3255	3623	3255	3623	3414	3575	3736	4036	3931	4126	4320	4593	4849	

"(H)" Specify overall height

	M0	M1	M2	M3	M3A	M4	M4A	M5	M5A	M6	M6A	M7	M8	M9	M10	M11	M11A	M13	M15	M16	
UOV - 1 SHLW DWR, SHORT UPPER - 84" H																					
UOV2784-1SS	1446	1808	1906	2357	2456	2357	2456	2447	2614	2447	2614	2568	2686	2807	3032	2848	2982	3127	3317	3470	
UOV3084-1SS	1548	1935	2040	2539	2647	2539	2647	2639	2829	2639	2829	2768	2898	3027	3272	3090	3234	3394	3597	3728	
UOV3384-1SS	1650	2062	2174	2722	2842	2722	2842	2832	3044	2832	3044	2971	3110	3250	3511	3333	3489	3662	3882	3969	
UOV - 1 SHLW DWR, SHORT UPPER - 87" or 90" H																					
UOV27(H)-1SS	1503	1879	1986	2451	2578	2451	2578	2561	2781	2561	2781	2686	2812	2937	3173	3002	3138	3299	3490	3609	
UOV30(H)-1SS	1614	2018	2135	2647	2787	2647	2787	2770	3022	2770	3022	2905	3043	3178	3433	3268	3414	3589	3799	3848	
UOV33(H)-1SS	1722	2152	2274	2839	2993	2839	2993	3058	3256	2973	3256	3119	3268	3414	3687	3526	3684	3874	4099	4170	
UOV - 1 SHLW DWR, SHORT UPPER - 93" or 96" H																					
UOV27(H)-1SS	1578	1972	2101	2585	2748	2585	2748	2737	3021	2737	3021	2871	3007	3141	3392	3253	3404	3575	3789	3938	
UOV30(H)-1SS	1696	2120	2259	2792	2973	2792	2973	2963	3283	2963	3283	3109	3255	3400	3674	3540	3704	3891	4121	4304	
UOV33(H)-1SS	1809	2261	2405	2997	3194	2997	3194	3097	3540	3182	3540	3338	3495	3653	3947	3823	4003	4201	4454	4666	

"(H)" Specify overall height

CUSTOM CUTOUT MODIFICATIONS

	MSRP	
CC1	382	• See pg M-13 for custom cutout details
CC2	127	
CC3	127	

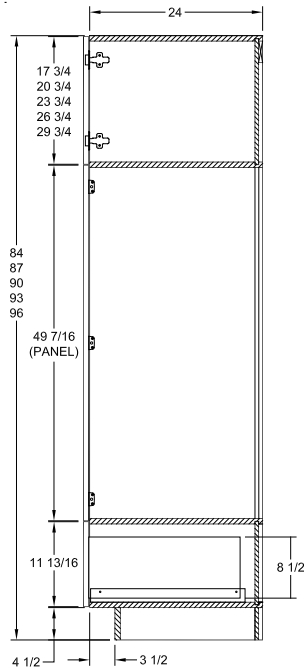
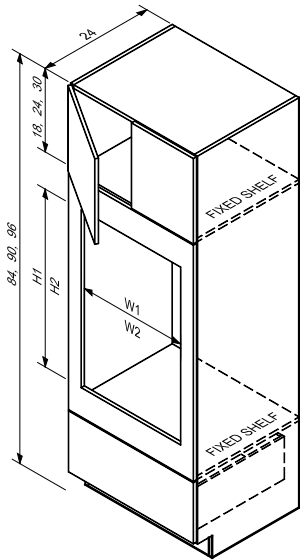
Tall Cabinets

UNIVERSAL OVEN – 1 DEEP DRAWER

MODIFICATION LIMITS

Width 24" – 36"
 Height 78" – 96"
 Depth 24" – 30"

Overall Cabinet Height	Qty of Adj. Shelves
78" – 90"	0
90-1/4" – 96"	1



- Over 90" H ships with loose toekick
- Height modifications made to upper section
- Removable oven panel attaches to face of cabinet and has same edge detail as door
- **Solid Wood, Mitered & M&T door styles:** Panel is stile and rail construction. Wide stiles and rails allow opening size to be enlarged in field. Removal of screws from back side of panel may be required before cutting.

- Standard opening for wood door styles will be minimum cutout dimensions (see size charts below)
- Cutouts are centered vertically and horizontally
- **Acrylic, Foil, Greenlam, HPL, LPL, Thermofoil, TSS, Wood Veneer and Bamboo Plywood door styles:** Removable panel is a one-piece, slab construction, with no opening and is shipped attached. Field cutout required.
- Two oven shelves and four cleats are tacked to interior cabinet end for field install
- Custom factory cutouts are available, apply Custom Cutout Modification. See pg M-13 for CC1, CC2, and CC3 specs and pricing. Minimum and maximum cutout dimensions listed below.
- Apply 2DF1 mod. for two horizontal drawers

UOV1D

84" | 87" | 90" | 93" | 96" H

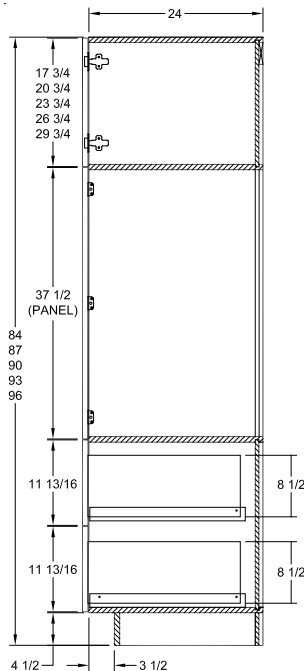
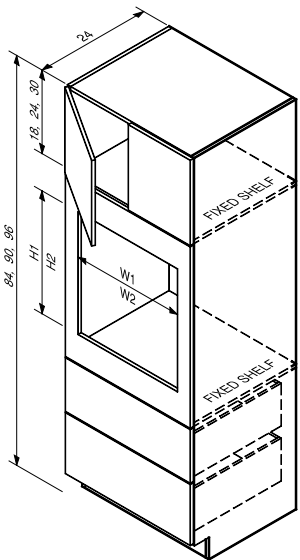
UOV27(H)-1D
 UOV30(H)-1D
 UOV33(H)-1D

Cabinet Width	Actual Panel Size	Cutout Width		Cutout Height	
		* Min.	Max.	* Min.	Max.
27"	26-7/8" x 49-7/16"	18"	24"	31-9/16"	46-9/16"
30"	29-7/8" x 49-7/16"	21"	27"	31-9/16"	46-9/16"
33"	32-7/8" x 49-7/16"	24"	30"	31-9/16"	46-9/16"

UNIVERSAL OVEN – 2 – DRAWER

MODIFICATION LIMITS

Width 24" – 36"
 Height 78" – 96"
 Depth 24" – 30"



- See cabinet notes and adjustable shelf chart above
- One oven shelf and two cleats are tacked to interior cabinet end for field install.

UOV2

84" | 87" | 90" | 93" | 96" H

UOV27(H)-2
 UOV30(H)-2
 UOV33(H)-2

Cabinet Width	Actual Panel Size	Cutout Width		Cutout Height	
		* Min.	Max.	* Min.	Max.
27"	26-7/8" x 37-1/2"	18"	24"	19-5/8"	34-5/8"
30"	29-7/8" x 37-1/2"	21"	27"	19-5/8"	34-5/8"
33"	32-7/8" x 37-1/2"	24"	30"	19-5/8"	34-5/8"

- * See note above regarding minimum cutout dimensions
- * Only one oven shelf and two cleats when ordered without custom cutout

Tall Cabinets

	M0	M1	M2	M3	M3A	M4	M4A	M5	M5A	M6	M6A	M7	M8	M9	M10	M11	M11A	M13	M15	M16
UOV - 1 DEEP DRAWER - 84" H																				
UOV2784-1D	1466	1833	1959	2405	2508	2405	2508	2508	2727	2508	2727	2632	2754	2878	3109	2917	3061	3205	3406	3477
UOV3084-1D	1569	1961	2095	2590	2703	2590	2703	2703	2951	2703	2951	2836	2970	3102	3351	3200	3358	3516	3738	3830
UOV3384-1D	1669	2086	2229	2773	2898	2773	2898	2898	3175	2898	3175	3041	3183	3328	3594	3450	3619	3791	4030	4147
UOV - 1 DEEP DRAWER - 87" or 90" H																				
UOV27(H)-1D	1538	1922	2062	2525	2661	2525	2661	2661	2939	2661	2939	2792	2922	3054	3300	3129	3283	3438	3653	3824
UOV30(H)-1D	1650	2062	2213	2727	2876	2727	2876	2876	3192	2876	3192	3019	3160	3302	3567	3441	3611	3780	4020	4220
UOV33(H)-1D	1757	2196	2357	2922	3087	2922	3087	3087	3438	3087	3438	3239	3392	3543	3828	3713	3896	4079	4337	4574
UOV - 1 DEEP DRAWER - 93" or 96" H																				
UOV27(H)-1D	1609	2011	2169	2647	2817	2647	2817	2817	3155	2817	3155	2956	3095	3233	3492	3345	3509	3675	3906	4174
UOV30(H)-1D	1727	2159	2329	2858	3046	2858	3046	3046	3426	3046	3426	3197	3346	3497	3777	3675	3857	4038	4293	4603
UOV33(H)-1D	1838	2298	2478	3063	3268	3063	3268	3268	3692	3268	3692	3429	3590	3752	4052	3967	4164	4359	4633	4991

"(H)" Specify overall height

	M0	M1	M2	M3	M3A	M4	M4A	M5	M5A	M6	M6A	M7	M8	M9	M10	M11	M11A	M13	M15	M16
UOV - 2 DRAWER - 84" H																				
UOV2784-2	1482	1852	2022	2442	2546	2442	2546	2546	2854	2546	2854	2671	2797	2921	3155	3024	3173	3322	3531	3755
UOV3084-2	1579	1974	2154	2624	2737	2624	2737	2737	3085	2737	3085	2871	3007	3141	3394	3273	3434	3597	3823	4094
UOV3384-2	1676	2095	2285	2805	2929	2805	2929	2929	3316	2929	3316	3073	3217	3361	3631	3523	3697	3870	4114	4435
UOV - 2 DRAWER - 87" or 90" H																				
UOV27(H)-2	1552	1940	2125	2563	2698	2563	2698	2698	3066	2698	3066	2831	2965	3097	3346	3236	3395	3555	3779	4101
UOV30(H)-2	1661	2076	2273	2761	2910	2761	2910	2910	3326	2910	3326	3054	3197	3341	3609	3514	3687	3862	4104	4484
UOV33(H)-2	1764	2205	2415	2954	3119	2954	3119	3119	3579	3119	3579	3273	3426	3580	3867	3785	3972	4160	4421	4862
UOV - 2 DRAWER - 93" or 96" H																				
UOV27(H)-2	1626	2032	2232	2685	2854	2685	2854	2854	3282	2854	3282	2995	3136	3277	3540	3451	3623	3792	4031	4450
UOV30(H)-2	1738	2173	2388	2893	3080	2893	3080	3080	3560	3080	3560	3233	3384	3536	3819	3748	3933	4120	4377	4868
UOV33(H)-2	1846	2307	2536	3094	3299	3094	3299	3299	3833	3299	3833	3462	3624	3787	4091	4040	4240	4440	4720	5280

"(H)" Specify overall height

CUSTOM CUTOUT MODIFICATIONS

	MSRP	
CC1	382	• See pg M-13 for custom cutout details
CC2	127	
CC3	127	

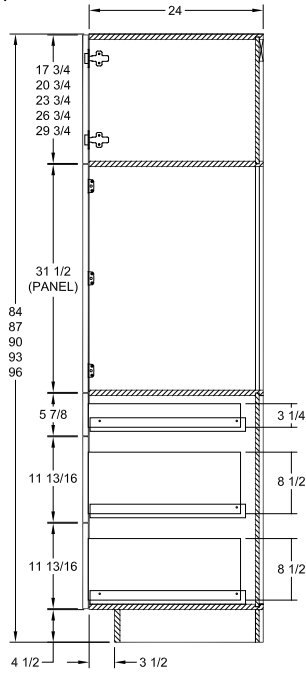
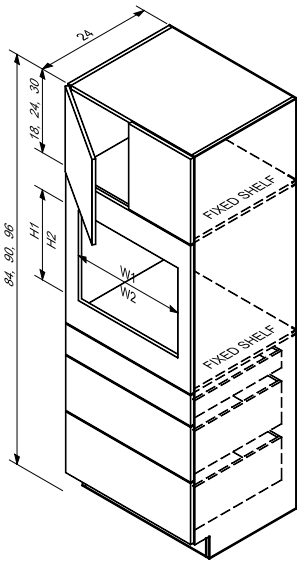
Tall Cabinets

UNIVERSAL OVEN – 3-DRAWER

MODIFICATION LIMITS

Width 24" – 36"
 Height 78" – 96"
 Depth 24" – 30"

Overall Cabinet Height	Qty of Adj. Shelves
78" – 90"	0
90-1/4" – 96"	1



- Over 90" H ships with loose toekick
- Height modifications made to upper section
- Removable oven panel attaches to face of cabinet and has same edge detail as door
- **Solid Wood, Mitered & M & T door styles:** Panel is stile and rail construction. Wide stiles and rails allow opening size to be enlarged in field. Removal of screws from back side of panel may be required before cutting.

- Standard opening for wood door styles will be minimum cutout dimensions (see size charts below)
- Cutouts are centered vertically and horizontally
- **Acrylic, Foil, Greenlam, HPL, LPL, Thermofoil, TSS, Wood Veneer and Bamboo Plywood door styles:** Removable panel is a one-piece, slab construction, with no opening and is shipped attached. Field cutout required.
- One oven shelf and two cleats are tacked to interior cabinet end for field install
- Custom factory cutouts are available, apply Custom Cutout Modification. See pg M-13 for CC1, CC2, and CC3 specs and pricing. Minimum and maximum cutout dimensions listed below.
- Apply 2DF1 mod. for two horizontal drawers

UOV3

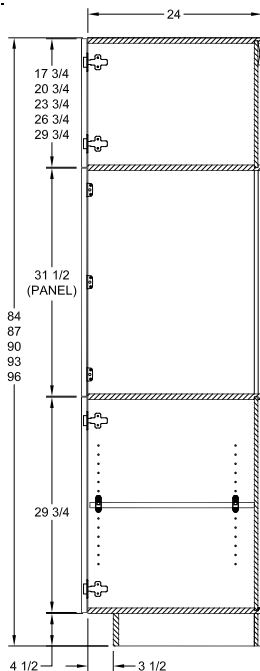
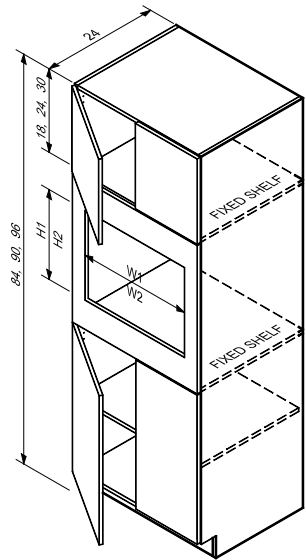
84" | 87" | 90" | 93" | 96" H
 UOV27(H)-3
 UOV30(H)-3
 UOV33(H)-3

Cabinet Width	Actual Panel Size	Cutout Width		Cutout Height	
		* Min.	Max.	* Min.	Max.
27"	26-7/8" x 31-1/2"	18"	24"	13-5/8"	28-5/8"
30"	29-7/8" x 31-1/2"	21"	27"	13-5/8"	28-5/8"
33"	32-7/8" x 31-1/2"	24"	30"	13-5/8"	28-5/8"

UNIVERSAL OVEN – FULL BASE (FULL DOOR)

MODIFICATION LIMITS

Width 24" – 36"
 Height 78" – 96"
 Depth 24" – 30"



- See cabinet notes and adjustable shelf chart above

UOVFD

84" | 87" | 90" | 93" | 96" H
 UOV27(H)-FB
 UOV30(H)-FB
 UOV33(H)-FB

Cabinet Width	Actual Panel Size	Cutout Width		Cutout Height	
		* Min.	Max.	* Min.	Max.
27"	26-7/8" x 31-1/2"	18"	24"	13-5/8"	28-5/8"
30"	29-7/8" x 31-1/2"	21"	27"	13-5/8"	28-5/8"
33"	32-7/8" x 31-1/2"	24"	30"	13-5/8"	28-5/8"

* See note above regarding minimum cutout dimensions

Tall Cabinets

	M0	M1	M2	M3	M3A	M4	M4A	M5	M5A	M6	M6A	M7	M8	M9	M10	M11	M11A	M13	M15	M16
UOV - 3 DRAWER - 84" H																				
UOV2784-3	1507	1884	2098	2534	2637	2534	2637	2637	3036	2637	3036	2768	2897	3027	3270	3178	3334	3492	3711	4081
UOV3084-3	1602	2003	2229	2719	2832	2719	2832	2832	3280	2832	3280	2971	3112	3251	3512	3438	3607	3777	4014	4450
UOV3384-3	1696	2120	2357	2905	3027	2905	3027	3027	3524	3027	3524	3177	3326	3475	3753	3697	3880	4064	4318	4825
UOV - 3 DRAWER - 87" or 90" H																				
UOV27(H)-3	1578	1972	2201	2654	2790	2654	2790	2790	3248	2790	3248	2927	3065	3202	3460	3390	3558	3724	3960	4425
UOV30(H)-3	1684	2105	2347	2856	3005	2856	3005	3005	3521	3005	3521	3153	3302	3450	3726	3679	3860	4042	4296	4840
UOV33(H)-3	1784	2230	2490	3054	3219	3054	3219	3219	3787	3219	3787	3378	3536	3696	3992	3960	4157	4352	4627	5253
UOV - 3 DRAWER - 93" or 96" H																				
UOV27(H)-3	1653	2066	2308	2776	2946	2776	2946	2946	3463	2946	3463	3092	3236	3382	3653	3606	3784	3962	4211	4774
UOV30(H)-3	1761	2201	2463	2990	3175	2990	3175	3175	3755	3175	3755	3331	3489	3645	3936	3913	4106	4299	4571	5224
UOV33(H)-3	1866	2332	2610	3192	3397	3192	3397	3397	4042	3397	4042	3565	3733	3901	4213	4215	4423	4632	4923	5670

"(H)" Specify overall height

	M0	M1	M2	M3	M3A	M4	M4A	M5	M5A	M6	M6A	M7	M8	M9	M10	M11	M11A	M13	M15	M16
UOV - FULL BASE - 84" H																				
UOV2784-FB	1595	1994	2098	2556	2659	2556	2659	2659	2832	2659	2832	2781	2904	3026	3255	3085	3229	3372	3573	3757
UOV3084-FB	1698	2123	2235	2742	2856	2742	2856	2856	3054	2856	3054	2988	3121	3253	3501	3334	3490	3646	3863	4028
UOV3384-FB	1802	2252	2371	2927	3054	2927	3054	3054	3275	3054	3275	3195	3338	3480	3746	3584	3752	3921	4157	4282
UOV - FULL BASE - 87" or 90" H																				
UOV27(H)-FB	1666	2083	2201	2676	2812	2676	2812	2812	3044	2812	3044	2941	3071	3200	3443	3297	3451	3606	3821	3994
UOV30(H)-FB	1780	2225	2354	2880	3029	2880	3029	3029	3295	3029	3295	3170	3311	3451	3714	3575	3743	3911	4147	4257
UOV33(H)-FB	1890	2363	2498	3077	3241	3077	3241	3241	3538	3241	3538	3392	3545	3696	3979	3847	4028	4209	4464	4601
UOV - FULL BASE - 93" or 96" H																				
UOV27(H)-FB	1737	2171	2308	2798	2968	2798	2968	2968	3260	2968	3260	3105	3243	3380	3638	3512	3677	3843	4074	4257
UOV30(H)-FB	1858	2322	2469	3010	3199	3010	3199	3199	3529	3199	3529	3348	3497	3646	3925	3809	3989	4169	4420	4640
UOV33(H)-FB	1971	2464	2619	3219	3424	3219	3424	3424	3792	3424	3792	3584	3745	3906	4206	4101	4296	4489	4762	5018

"(H)" Specify overall height

CUSTOM CUTOUT MODIFICATIONS

	MSRP	
CC1	382	• See pg M-13 for custom cutout details
CC2	127	
CC3	127	

Tall Cabinets

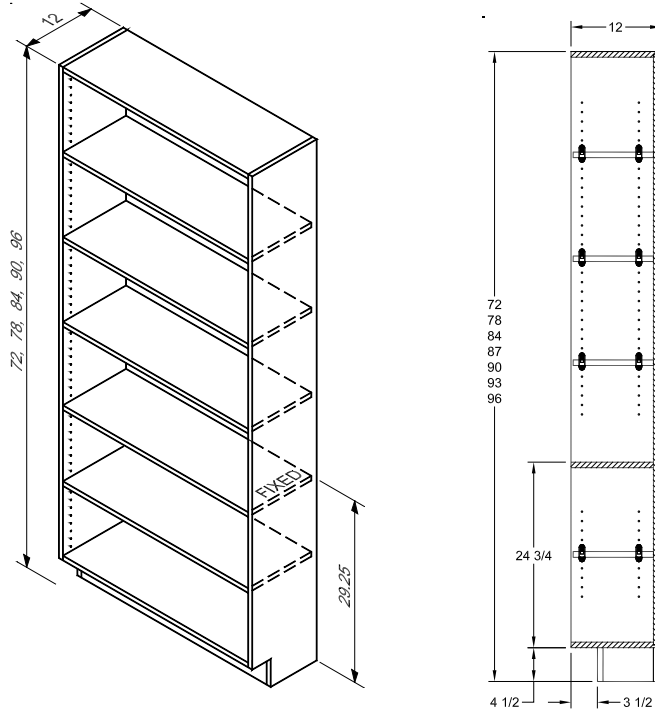
TALL BOOKCASE

MODIFICATION LIMITS

Width 12" – 36"
 Height 46-1/2" – 96"
 Depth 9" – 24"

Overall Cabinet Height	Qty of Adj. Shelves
61" – 72"	4
72-1/4" – 90"	5
90-1/4" – 96"	6

- Finished interior (FMI)
- Exterior ends not finished
- Clear locking shelf clips are installed, and nickel shelf clips are sent loose
- Install between cabinets or walls to help stabilize outside stiles
- **Must be secured to wall to eliminate potential injury from tipping**
- Qty of adjustable shelves depends on cabinet height
- Clear material will be used when Rustic wood species are ordered

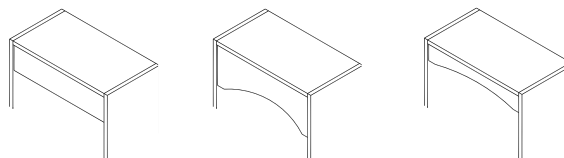


TBC

72" | 78" | 84" | 87" | 90" | 93" | 96" H

- TBC12__
- TBC15__
- TBC18__
- TBC21__
- TBC24__
- TBC27__
- TBC30__
- TBC33__
- TBC36__

Optional Top Rail Valances (See Modification section)



Tall Cabinets

	M0	M1	M2	M3	M3A	M4	M4A	M5	M5A	M6	M6A	M7	M8	M9	M10	M11	M11A	M13	M15	M16
TALL BOOKCASE - 72" H																				
TBC1272	560	560	560	560	560	560	560	560	560	560	560	560	560	560	560	560	560	560	560	560
TBC1572	694	694	694	694	694	694	694	694	694	694	694	694	694	694	694	694	694	694	694	694
TBC1872	826	826	826	826	826	826	826	826	826	826	826	826	826	826	826	826	826	826	826	826
TBC2172	958	958	958	958	958	958	958	958	958	958	958	958	958	958	958	958	958	958	958	958
TBC2472	1091	1091	1091	1091	1091	1091	1091	1091	1091	1091	1091	1091	1091	1091	1091	1091	1091	1091	1091	1091
TBC2772	1224	1224	1224	1224	1224	1224	1224	1224	1224	1224	1224	1224	1224	1224	1224	1224	1224	1224	1224	1224
TBC3072	1355	1355	1355	1355	1355	1355	1355	1355	1355	1355	1355	1355	1355	1355	1355	1355	1355	1355	1355	1355
TBC3372	1489	1489	1489	1489	1489	1489	1489	1489	1489	1489	1489	1489	1489	1489	1489	1489	1489	1489	1489	1489
TBC3672	1622	1622	1622	1622	1622	1622	1622	1622	1622	1622	1622	1622	1622	1622	1622	1622	1622	1622	1622	1622
TALL BOOKCASE - 78" H																				
TBC1278	597	597	597	597	597	597	597	597	597	597	597	597	597	597	597	597	597	597	597	597
TBC1578	739	739	739	739	739	739	739	739	739	739	739	739	739	739	739	739	739	739	739	739
TBC1878	883	883	883	883	883	883	883	883	883	883	883	883	883	883	883	883	883	883	883	883
TBC2178	1024	1024	1024	1024	1024	1024	1024	1024	1024	1024	1024	1024	1024	1024	1024	1024	1024	1024	1024	1024
TBC2478	1167	1167	1167	1167	1167	1167	1167	1167	1167	1167	1167	1167	1167	1167	1167	1167	1167	1167	1167	1167
TBC2778	1310	1310	1310	1310	1310	1310	1310	1310	1310	1310	1310	1310	1310	1310	1310	1310	1310	1310	1310	1310
TBC3078	1452	1452	1452	1452	1452	1452	1452	1452	1452	1452	1452	1452	1452	1452	1452	1452	1452	1452	1452	1452
TBC3378	1593	1593	1593	1593	1593	1593	1593	1593	1593	1593	1593	1593	1593	1593	1593	1593	1593	1593	1593	1593
TBC3678	1735	1735	1735	1735	1735	1735	1735	1735	1735	1735	1735	1735	1735	1735	1735	1735	1735	1735	1735	1735
TALL BOOKCASE - 84" H																				
TBC1284	654	654	654	654	654	654	654	654	654	654	654	654	654	654	654	654	654	654	654	654
TBC1584	809	809	809	809	809	809	809	809	809	809	809	809	809	809	809	809	809	809	809	809
TBC1884	963	963	963	963	963	963	963	963	963	963	963	963	963	963	963	963	963	963	963	963
TBC2184	1118	1118	1118	1118	1118	1118	1118	1118	1118	1118	1118	1118	1118	1118	1118	1118	1118	1118	1118	1118
TBC2484	1273	1273	1273	1273	1273	1273	1273	1273	1273	1273	1273	1273	1273	1273	1273	1273	1273	1273	1273	1273
TBC2784	1427	1427	1427	1427	1427	1427	1427	1427	1427	1427	1427	1427	1427	1427	1427	1427	1427	1427	1427	1427
TBC3084	1582	1582	1582	1582	1582	1582	1582	1582	1582	1582	1582	1582	1582	1582	1582	1582	1582	1582	1582	1582
TBC3384	1737	1737	1737	1737	1737	1737	1737	1737	1737	1737	1737	1737	1737	1737	1737	1737	1737	1737	1737	1737
TBC3684	1891	1891	1891	1891	1891	1891	1891	1891	1891	1891	1891	1891	1891	1891	1891	1891	1891	1891	1891	1891
TALL BOOKCASE - 87" or 90" H																				
TBC12(H)	696	696	696	696	696	696	696	696	696	696	696	696	696	696	696	696	696	696	696	696
TBC15(H)	863	863	863	863	863	863	863	863	863	863	863	863	863	863	863	863	863	863	863	863
TBC18(H)	1030	1030	1030	1030	1030	1030	1030	1030	1030	1030	1030	1030	1030	1030	1030	1030	1030	1030	1030	1030
TBC21(H)	1195	1195	1195	1195	1195	1195	1195	1195	1195	1195	1195	1195	1195	1195	1195	1195	1195	1195	1195	1195
TBC24(H)	1361	1361	1361	1361	1361	1361	1361	1361	1361	1361	1361	1361	1361	1361	1361	1361	1361	1361	1361	1361
TBC27(H)	1528	1528	1528	1528	1528	1528	1528	1528	1528	1528	1528	1528	1528	1528	1528	1528	1528	1528	1528	1528
TBC30(H)	1694	1694	1694	1694	1694	1694	1694	1694	1694	1694	1694	1694	1694	1694	1694	1694	1694	1694	1694	1694
TBC33(H)	1859	1859	1859	1859	1859	1859	1859	1859	1859	1859	1859	1859	1859	1859	1859	1859	1859	1859	1859	1859
TBC36(H)	2024	2024	2024	2024	2024	2024	2024	2024	2024	2024	2024	2024	2024	2024	2024	2024	2024	2024	2024	2024
TALL BOOKCASE - 93" or 96" H																				
TBC12(H)	741	741	741	741	741	741	741	741	741	741	741	741	741	741	741	741	741	741	741	741
TBC15(H)	918	918	918	918	918	918	918	918	918	918	918	918	918	918	918	918	918	918	918	918
TBC18(H)	1096	1096	1096	1096	1096	1096	1096	1096	1096	1096	1096	1096	1096	1096	1096	1096	1096	1096	1096	1096
TBC21(H)	1273	1273	1273	1273	1273	1273	1273	1273	1273	1273	1273	1273	1273	1273	1273	1273	1273	1273	1273	1273
TBC24(H)	1449	1449	1449	1449	1449	1449	1449	1449	1449	1449	1449	1449	1449	1449	1449	1449	1449	1449	1449	1449
TBC27(H)	1627	1627	1627	1627	1627	1627	1627	1627	1627	1627	1627	1627	1627	1627	1627	1627	1627	1627	1627	1627
TBC30(H)	1803	1803	1803	1803	1803	1803	1803	1803	1803	1803	1803	1803	1803	1803	1803	1803	1803	1803	1803	1803
TBC33(H)	1979	1979	1979	1979	1979	1979	1979	1979	1979	1979	1979	1979	1979	1979	1979	1979	1979	1979	1979	1979
TBC36(H)	2158	2158	2158	2158	2158	2158	2158	2158	2158	2158	2158	2158	2158	2158	2158	2158	2158	2158	2158	2158

"(H)" Specify overall height

Tall Cabinets

* L or R required

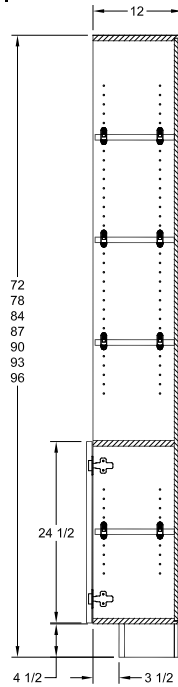
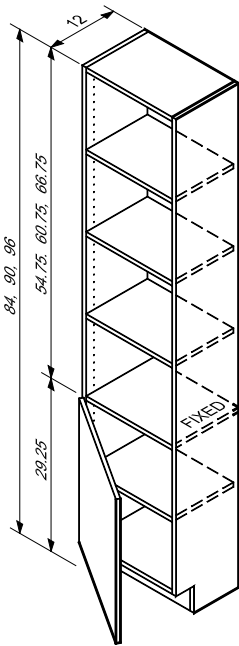
TALL BOOKCASE FULL DOOR

Overall Cabinet Height	Qty of Adj. Shelves
46-1/2" - 48"	0
49" - 60"	1
61" - 72"	2
73" - 84"	3
85" - 96"	4

- Lower section has same size door as Full Vanity (FV)
- Finished interior (FMI)
- Exterior ends not finished
- Must be secured to wall to eliminate potential injury from tipping
- Clear locking shelf clips are installed and nickel shelf clips are sent loose
- One adjustable shelf in lower section
- Qty of adjustable shelves in upper section depends on cabinet height

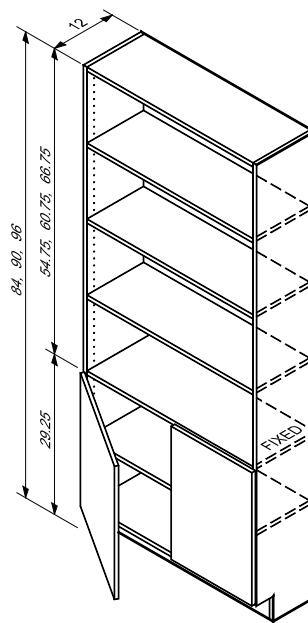
MODIFICATION LIMITS

Width 12" - 24"
 Height 46-1/2" - 96"
 Depth 9" - 24"



MODIFICATION LIMITS

Width 18" - 36"
 Height 46-1/2" - 96"
 Depth 9" - 24"



TBCF1DR

72" | 78" | 84" | 87" | 90" | 93" | 96" H

- TBCF12_*
- TBCF15_*
- TBCF18_*
- TBCF21_*
- TBCF24_*

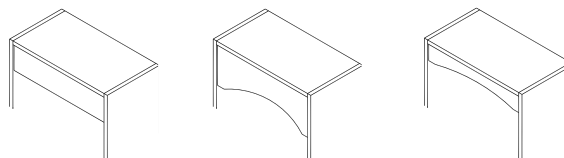
TBCF2DR

72" | 78" | 84" | 87" | 90" | 93" | 96" H

- TBCF24_DD
- TBCF27_
- TBCF30_
- TBCF33_
- TBCF36_

Optional Top Rail Valances

(See Modification section)



Tall Cabinets

* L or R required

	M0	M1	M2	M3	M3A	M4	M4A	M5	M5A	M6	M6A	M7	M8	M9	M10	M11	M11A	M13	M15	M16
TALL BOOKCASE FULL DOORS - 72" H																				
TBCF1272*	746	933	1036	1031	1031	1040	1040	1062	1062	1062	1062	1135	1177	1114	1146	1213	1277	1219	1289	1438
TBCF1572*	904	1130	1257	1243	1243	1255	1255	1284	1284	1284	1284	1372	1421	1342	1377	1459	1538	1462	1540	1718
TBCF1872*	1054	1318	1472	1448	1448	1459	1459	1494	1494	1494	1494	1598	1655	1560	1601	1698	1789	1698	1782	1989
TBCF2172*	1206	1508	1684	1650	1650	1665	1665	1706	1706	1706	1706	1823	1889	1777	1822	1933	2039	1928	2022	2254
TBCF2472*	1358	1698	1900	1857	1857	1872	1872	1920	1920	1920	1920	2052	2127	1998	2045	2174	2291	2164	2264	2525
TBCF2472DD	1388	1735	1939	1915	1915	1933	1933	1983	1983	1983	1983	2118	2196	2071	2123	2254	2374	2251	2366	2639
TBCF2772	1538	1923	2154	2120	2120	2137	2137	2193	2193	2193	2193	2344	2430	2286	2346	2488	2624	2486	2608	2910
TBCF3072	1690	2112	2366	2324	2324	2342	2342	2405	2405	2405	2405	2569	2664	2505	2568	2725	2873	2717	2848	3175
TBCF3372	1841	2301	2580	2527	2527	2549	2549	2619	2619	2619	2619	2798	2902	2727	2790	2966	3127	2953	3092	3448
TBCF3672	1993	2491	2793	2732	2732	2754	2754	2831	2831	2831	2831	3024	3136	2944	3014	3204	3377	3188	3336	3721
TALL BOOKCASE FULL DOORS - 78" H																				
TBCF1278	792	990	1099	1092	1092	1099	1099	1121	1121	1121	1121	1197	1241	1174	1206	1277	1345	1280	1350	1504
TBCF1578	961	1201	1336	1318	1318	1330	1330	1357	1357	1357	1357	1450	1503	1413	1450	1538	1621	1537	1615	1799
TBCF1878	1122	1403	1567	1537	1537	1548	1548	1581	1581	1581	1581	1689	1752	1647	1688	1793	1889	1786	1871	2088
TBCF2178	1286	1608	1796	1755	1755	1769	1769	1808	1808	1808	1808	1932	2003	1879	1923	2044	2156	2034	2125	2371
TBCF2478	1449	1811	2025	1976	1976	1993	1993	2037	2037	2037	2037	2176	2256	2113	2161	2300	2425	2283	2383	2658
TBCF2478DD	1479	1849	2066	2034	2034	2054	2054	2098	2098	2098	2098	2242	2325	2186	2239	2379	2508	2371	2483	2770
TBCF2778	1640	2050	2295	2252	2252	2271	2271	2324	2324	2324	2324	2483	2575	2417	2476	2630	2771	2620	2741	3058
TBCF3078	1803	2254	2525	2471	2471	2491	2491	2549	2549	2549	2549	2725	2826	2651	2712	2885	3039	2868	2995	3341
TBCF3378	1966	2458	2753	2690	2690	2712	2712	2778	2778	2778	2778	2970	3078	2885	2949	3139	3311	3117	3255	3629
TBCF3678	2127	2659	2980	2907	2907	2932	2932	3002	3002	3002	3002	3207	3326	3116	3185	3390	3573	3363	3511	3914
TALL BOOKCASE FULL DOORS - 84" H																				
TBCF1284	838	1048	1163	1152	1152	1160	1160	1180	1180	1180	1180	1260	1308	1231	1265	1340	1413	1342	1409	1572
TBCF1584	1019	1274	1418	1394	1394	1406	1406	1431	1431	1431	1431	1528	1586	1487	1525	1620	1706	1613	1689	1884
TBCF1884	1191	1489	1662	1626	1626	1638	1638	1669	1669	1669	1669	1784	1849	1735	1776	1888	1991	1877	1961	2188
TBCF2184	1366	1708	1906	1859	1859	1874	1874	1910	1910	1910	1910	2040	2117	1981	2025	2156	2273	2139	2230	2486
TBCF2484	1540	1925	2152	2093	2093	2112	2112	2152	2152	2152	2152	2300	2385	2230	2276	2427	2558	2402	2502	2790
TBCF2484DD	1570	1962	2191	2152	2152	2173	2173	2215	2215	2215	2215	2366	2452	2303	2354	2505	2641	2490	2602	2902
TBCF2784	1742	2178	2435	2385	2385	2405	2405	2452	2452	2452	2452	2622	2717	2546	2605	2771	2921	2753	2873	3205
TBCF3084	1916	2395	2681	2617	2617	2639	2639	2693	2693	2693	2693	2878	2983	2793	2856	3041	3205	3015	3141	3504
TBCF3384	2090	2612	2924	2851	2851	2875	2875	2936	2936	2936	2936	3138	3253	3043	3107	3311	3490	3278	3414	3809
TBCF3684	2263	2829	3168	3083	3083	3109	3109	3175	3175	3175	3175	3392	3518	3289	3358	3579	3772	3541	3687	4111
TALL BOOKCASE FULL DOORS - 87" or 90" H "(H)" Specify overall height																				
TBCF12(H)	882	1102	1225	1208	1208	1218	1218	1235	1235	1235	1235	1319	1369	1287	1319	1401	1476	1398	1465	1635
TBCF15(H)	1074	1342	1492	1464	1464	1477	1477	1499	1499	1499	1499	1603	1662	1557	1593	1694	1786	1684	1760	1964
TBCF18(H)	1258	1572	1755	1713	1713	1727	1727	1754	1754	1754	1754	1874	1944	1820	1861	1981	2088	1964	2047	2285
TBCF21(H)	1444	1805	2015	1959	1959	1976	1976	2008	2008	2008	2008	2145	2225	2079	2125	2262	2385	2240	2330	2598
TBCF24(H)	1628	2035	2274	2208	2208	2227	2227	2264	2264	2264	2264	2420	2508	2342	2390	2549	2686	2519	2615	2917
TBCF24(H)DD	1658	2073	2313	2266	2266	2288	2288	2327	2327	2327	2327	2486	2578	2415	2468	2629	2770	2605	2717	3029
TBCF27(H)	1842	2303	2575	2515	2515	2537	2537	2581	2581	2581	2581	2758	2859	2675	2734	2910	3068	2885	3004	3350
TBCF30(H)	2027	2534	2836	2763	2763	2785	2785	2836	2836	2836	2836	3031	3141	2936	2999	3195	3367	3161	3287	3665
TBCF33(H)	2211	2764	3094	3009	3009	3034	3034	3092	3092	3092	3092	3304	3424	3199	3263	3480	3668	3439	3573	3986
TBCF36(H)	2396	2995	3353	3256	3256	3283	3283	3345	3345	3345	3345	3573	3704	3458	3528	3763	3967	3716	3860	4304
TALL BOOKCASE FULL DOORS - 93" or 96" H "(H)" Specify overall height																				
TBCF12(H)	926	1158	1286	1267	1267	1275	1275	1292	1292	1292	1292	1381	1431	1345	1377	1462	1542	1457	1525	1699
TBCF15(H)	1129	1411	1570	1537	1537	1550	1550	1570	1570	1570	1570	1679	1740	1628	1664	1772	1867	1757	1833	2044
TBCF18(H)	1324	1655	1847	1799	1799	1813	1813	1838	1838	1838	1838	1966	2037	1905	1944	2073	2184	2052	2134	2381
TBCF21(H)	1521	1901	2122	2061	2061	2078	2078	2106	2106	2106	2106	2252	2334	2178	2223	2369	2498	2342	2430	2710
TBCF24(H)	1716	2145	2396	2324	2324	2342	2342	2376	2376	2376	2376	2541	2634	2454	2502	2671	2815	2634	2731	3046
TBCF24(H)DD	1746	2183	2435	2381	2381	2403	2403	2439	2439	2439	2439	2607	2702	2527	2580	2751	2898	2720	2831	3158
TBCF27(H)	1942	2427	2714	2644	2644	2668	2668	2707	2707	2707	2707	2893	2999	2800	2859	3048	3212	3015	3133	3494
TBCF30(H)	2137	2671	2988	2905	2905	2929	2929	2975	2975	2975	2975	3180	3297	3077	3138	3348	3528	3306	3429	3824
TBCF33(H)	2332	2915	3261	3166	3166	3194	3194	3246	3246	3246	3246	3468	3596	3353	3417	3648	3845	3597	3731	4160
TBCF36(H)	2529	3161	3538	3429	3429	3458	3458	3514	3514	3514	3514	3755	3892	3628	3697	3948	4160	3891	4031	4498

Tall Cabinets

* L or R required

TALL FILLER PULL-OUT ORGANIZER NOTES

MODIFICATION LIMITS

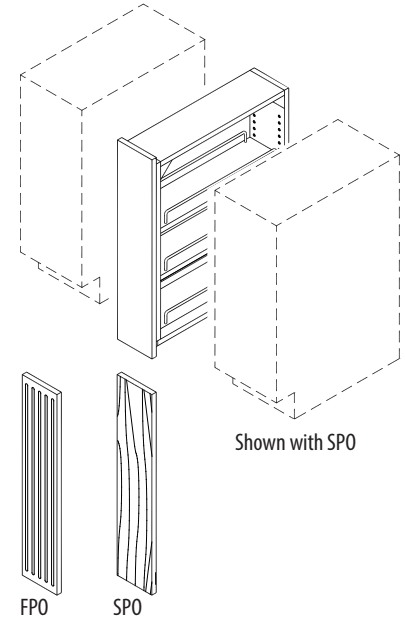
No Modifications

FILLER PULL-OUTS:

- Designed to fit between two cabinets
- Callout width = space required to install between cabinets
- Plywood with natural wood finish
- Filler face is flush with adjacent cabinets
 - (S) Square edge detail on all four sides
 - When installed, 1/16" reveal on each side
- Zinc full-extension guide mounted to top and bottom of pull-out

INSTALL/DESIGN Notes:

- Knob or pull required (not included)
- Two pull-outs, stacked create overall height: assemble at jobsite
- Exterior of cabinets will be visible when unit is pulled out:
 - Opt. 1: Leave exterior of adjacent cabinets unfinished
 - Opt. 2: Order adjacent cabinets with integral finished ends (IFE)



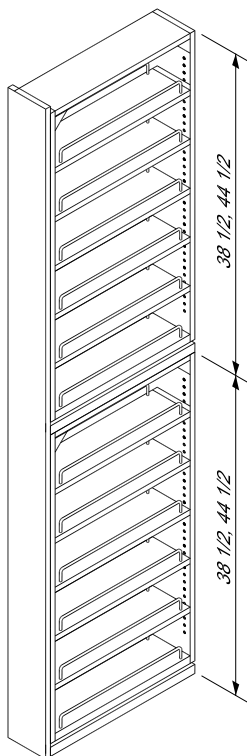
OPTIONAL PLANT-ON MODELS:

Fluted (FPO) and Solid (SPO)

- Plant-on height will be same as a full height door (will be 2-pcs when door style is horizontal grain)
- Edge detail matches door
- Plant-ons shipped loose, when ordered
- Install at jobsite

TALL FILLER PULL-OUT SPICE RACK

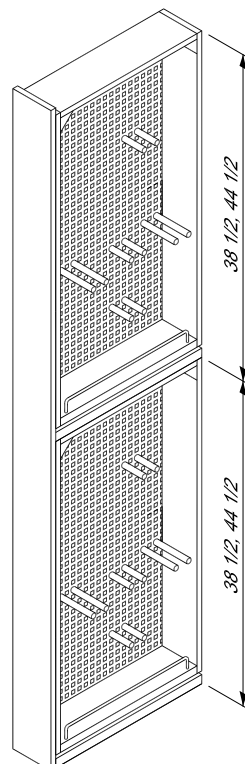
- Fixed and adjustable shelves with chrome rails:
- 84" H – 12 shelves (10 adj. 2 fixed)
- 90" H – 13 shelves (11 adj. 2 fixed)
- 96" H – 14 shelves (12 adj. 2 fixed)



TFPS06_	MSRP
84" H	
TFPS0684	3958
TFPS0684-FPO	4586
TFPS0684-SPO	4274
90" H	
TFPS0690	4099
TFPS0690-FPO	4727
TFPS0690-SPO	4415
96" H	
TFPS0696	4242
TFPS0696-FPO	4869
TFPS0696-SPO	4557

TALL FILLER PULL-OUT STAINLESS STEEL

- Includes two magnetic stainless steel panels, chrome rails, assortment of black accessory hooks and pegs
- Specify Right or Left orientation (Left shown)



Left shown

TFPSS06_ (L/R)	MSRP
84" H	
TFPSS0684*	4717
TFPSS0684-FPO*	5344
TFPSS0684-SPO*	5032
90" H	
TFPSS0690*	4852
TFPSS0690-FPO*	5480
TFPSS0690-SPO*	5168
96" H	
TFPSS0696*	4988
TFPSS0696-FPO*	5615
TFPSS0696-SPO*	5303

Tall Cabinets

* L or R required

TALL END SHELF

MODIFICATION LIMITS

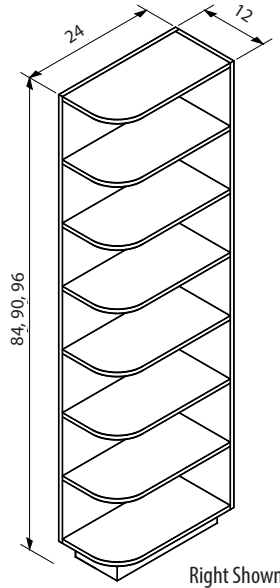
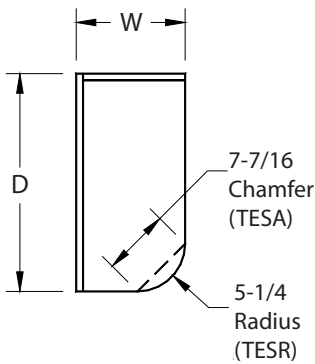
Width 6" – 12"
 Height 46-1/2" – 96"
 Depth 12" – 30"

Overall Cabinet Height	Qty Usable Shelves
46-1/2" – 83-3/4"	varies 4 - 6
84" – 90"	7
90-1/4" – 96"	8

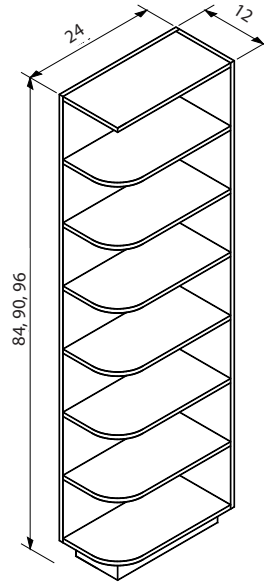
- 3/4" edge-taped material finished to match face of adjoining cabinets
- Right or Left determined by side of cabinet end shelf is to be applied to
- If height is modified the quantity of shelves

- will change as well
- Clearance between shelves ranges from a minimum of 8" to a maximum of 13"
- Clear material will be used when Rustic wood species are ordered

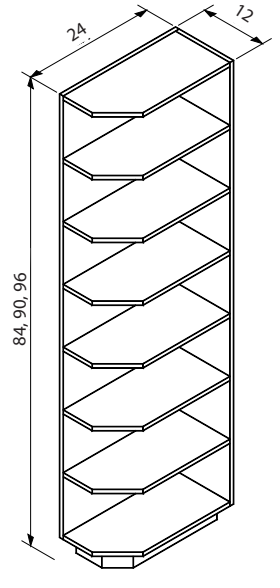
Top View - TES



TESR (ROUND)
 84" | 87" | 90" | 93" | 96" H
 TESR12_*



TESRS (RADIUS, SQ-TOP)
 84" | 87" | 90" | 93" | 96" H
 TESR12_S*



TESA (ANGLE)
 84" | 87" | 90" | 93" | 96" H
 TESA12_*

TESR	MSRP
TESR1284*	1018
TESR1287*	1046
TESR1290*	1046
TESR1293*	1111
TESR1296*	1111

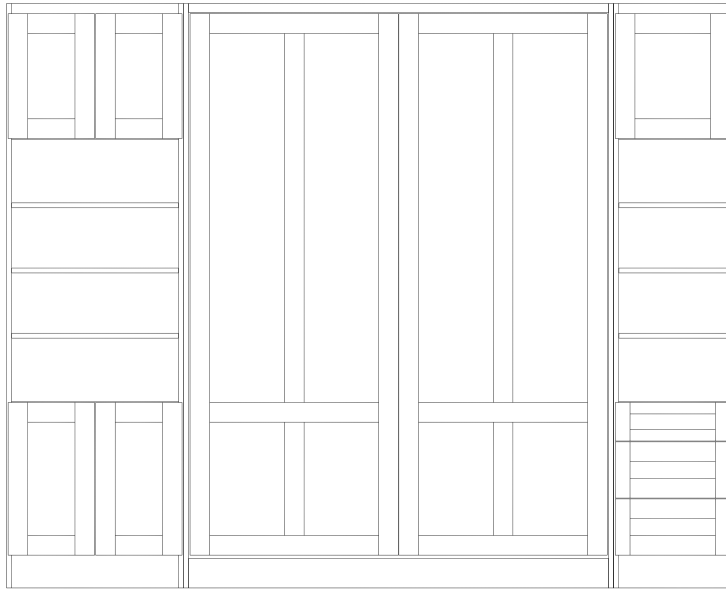
TESRS	MSRP
TESR1284S*	1018
TESR1287S*	1046
TESR1290S*	1046
TESR1293S*	1111
TESR1296S*	1111

TESA	MSRP
TESA1284*	1018
TESA1287*	1046
TESA1290*	1046
TESA1293*	1111
TESA1296*	1111

Tall Cabinets

<< Intentionally Blank >>

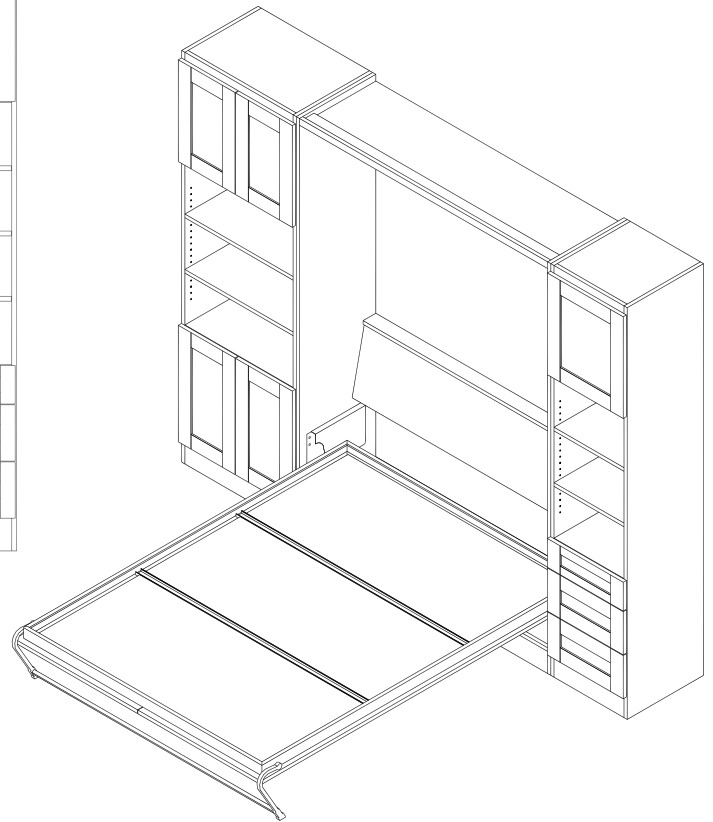
Wall Beds and Wardrobes



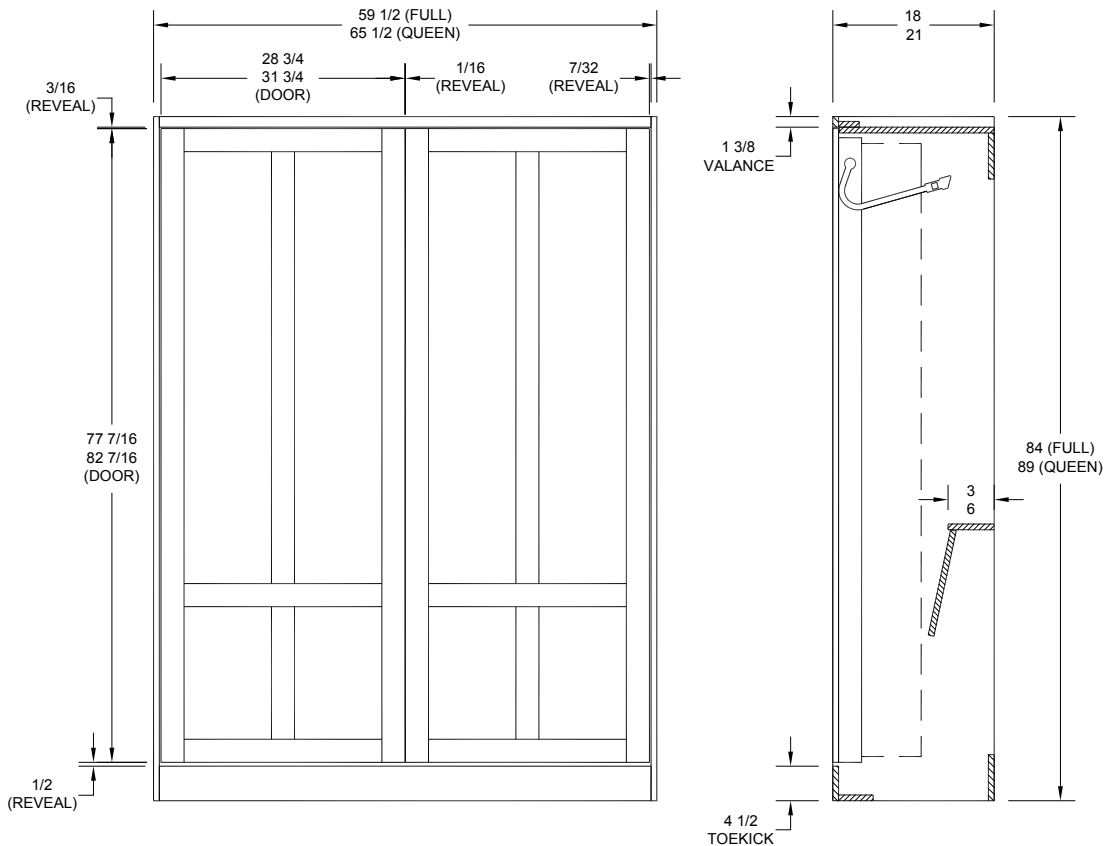
Wardrobe (WSFOT)

Wall Bed (WB)

Wardrobe (WS30T)



Wall Bed - Door Configuration & Reveals



Wall Beds and Wardrobes

GENERAL INFORMATION

Bed frames with Murphy Wall Bed hardware

- Mattress not included

Wardrobe Storage Cabinets

- Variety of configurations available to complement wall beds

Bed Case

- Full-size: 59-1/2" W x 84" H x 18" or 21" D
- Queen-size: 65-1/2" W x 89" H x 18" or 21" D
- Frameless construction with open back
- 3/4" thick plywood substrate panels, finished 2 sides

Murphy Wall Bed Hardware

- Supreme Steel System
- Adjustable, multi-spring steel lifts on right and left side
- Fold away, heavy-duty, steel tubular legs & crossbar have black textured finish

Bed Frame

- Fits up to a 12" thick standard Full or Queen mattress (not included)
- Four-sided, 3" steel frame with cross supports and Velcro strap
- Steel cross support bars run horizontal between frame sides
- 1/2" thick WGL Plywood support panels installed between steel supports
- Factory-assembled with doors attached

Installation Notes

- Assembly required
- Hardware kit and installation instructions included
- Installation requires 2 people and should be performed by experienced installers
- Must secure top of bed case to wall studs

Design Notes

- Limited door styles available (see chart below)
- Assembly fasteners are visible on exterior sides of bed case
- Order finished end treatments (loose) or adjoining wardrobe cabinetry to conceal fasteners
- Wardrobes are configured to align with doors and reveals of wall beds; may not align with our standard cabinet configurations

Wardrobe Storage Cabinets

- Construction: Plywood and FMI only
- Flush toekick is standard on all cabinets
- **Not available:** FFE, FED accessories (loose)

DOOR STYLE AVAILABILITY

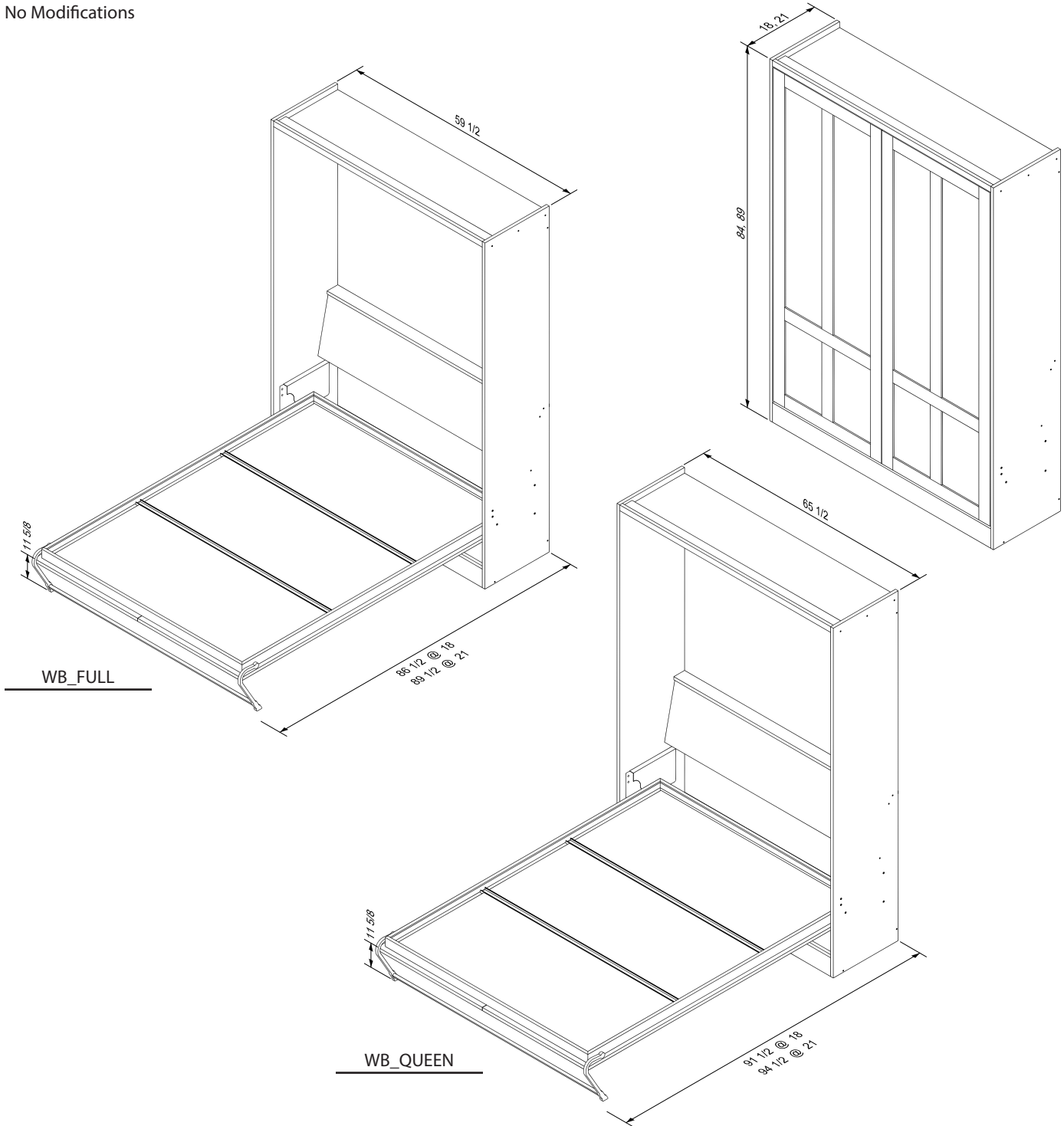
	Wall Beds		Wardrobe Storage Cabinets	
Door Styles	Available on following:		Available on following:	
	Aberdeen	Lynden	Alpine	Mitered Doors
	Alpine	Lynden Solid	Copenhagen	M&T Doors
	Cortina	Monterey	Dover	Dover Plycore
	Cortina Solid	Nova	Halifax	Halifax Plycore
	Dover	Quattro	Solano	Nova
	Dover Plycore	Quattro Solid	Not Available on following:	
	Emerson	Ridgecrest	Foils	Metal Door options
	Halifax	Solano	Greenlam	Thermofoils
	Halifax Plycore	Valley Forge	Exotic Wood Veneers	TSS
		Valley Forge Solid	Laminates	Corsica
		Hanover	Bamboo Plywood Doors	
Edge Details	A, B, G, H, L, M, N, & S			
Species	Available on following:			
	Maple, Cherry, Alder, Beech, Hickory, Red Oak, Sapele, Black Walnut and VG Fir			
	Rustic: Maple, Alder, Beech and Hickory			

Wall Beds and Wardrobes

WALL BEDS - FULL & QUEEN

- Holds standard queen or full size mattress
- Double/Full = 54" W x 75" L | Queen = 60" W x 80" L
- Max. 12" thick mattress

MODIFICATION LIMITS
No Modifications



	M0	M1	M2	M3	M3A	M4	M4A	M5	M5A	M6	M6A	M7	M8	M9	M10	M11	M11A	M13	M15	M16
FULL — 18" or 21" D																				
WB6084X(D)	-	7378	7811	8244	-	-	-	-	-	-	-	-	8893	9543	9975	-	-	10408	-	-
QUEEN — 18" or 21" D																				
WB6689X(D)	-	7624	8133	8642	-	-	-	-	-	-	-	-	9405	10169	10678	-	-	11187	-	-

"(D)" Specify depth

Wall Beds and Wardrobes

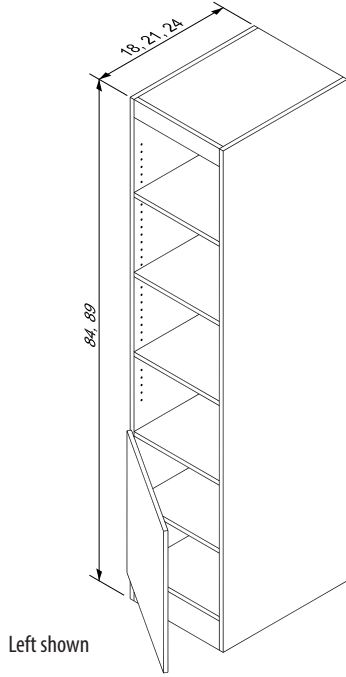
* L or R required

WARDROBE - FULL DR-LWR, OPEN-MID & UPPER

MODIFICATION LIMITS

No Modifications

- Top of doors in lower section, top valance and flush toekick align with those on Wall Bed
- Number of adjustable shelves depends on height
Upper section: 84" H = 3 | 89" H = 4
Lower section = 1



Left shown

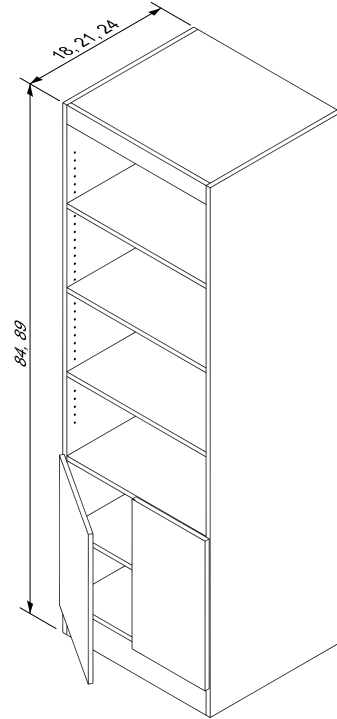
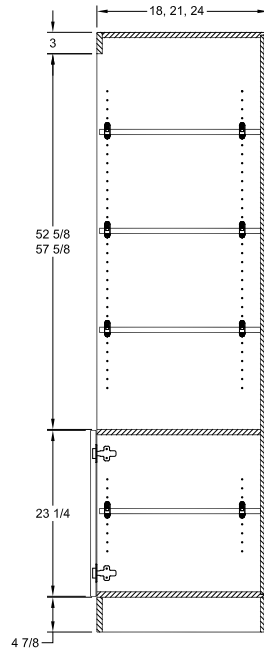
WSFON1DR

84" or 89" H

WSFON18_X(18,21,24)*

WSFON21_X(18,21,24)*

WSFON24_X(18,21,24)*



WSFON2DR

84" or 89" H

WSFON24_X(18,21,24) DD

WSFON27_X(18,21,24)

WSFON30_X(18,21,24)

	M0	M1	M2	M3	M3A	M4	M4A	M5	M5A	M6	M6A	M7	M8	M9	M10	M11	M11A	M13	M15	M16
WSFON — FULL 84" H x 18", 21" or 24" D																				
WSFON1884X(D)*	1764	2205	2378	2342	2342	2354	2354	2385	2385	2385	2385	2500	2564	2451	2491	2603	2707	2593	2676	2904
WSFON2184X(D)*	1939	2424	2622	2575	2575	2590	2590	2625	2625	2625	2625	2756	2832	2697	2741	2871	2988	2854	2946	3202
WSFON2484X(D)*	2113	2641	2868	2809	2809	2827	2827	2868	2868	2868	2868	3015	3100	2946	2992	3143	3273	3117	3217	3506
WSFON2484X(D)-DD	2142	2678	2907	2868	2868	2888	2888	2931	2931	2931	2931	3082	3168	3019	3070	3221	3356	3205	3317	3618
WSFON2784X(D)	2314	2893	3151	3100	3100	3121	3121	3168	3168	3168	3168	3338	3433	3261	3321	3487	3636	3468	3589	3921
WSFON3084X(D)	2488	3110	3397	3333	3333	3355	3355	3409	3409	3409	3409	3594	3699	3509	3572	3757	3921	3731	3857	4220
WSFON — QUEEN 89" H x 18", 21" or 24" D																				
WSFON1889X(D)*	1830	2288	2471	2429	2429	2442	2442	2469	2469	2469	2469	2590	2659	2536	2576	2697	2803	2680	2763	3000
WSFON2189X(D)*	2016	2520	2731	2675	2675	2692	2692	2724	2724	2724	2724	2861	2941	2795	2841	2978	3100	2956	3046	3314
WSFON2489X(D)*	2201	2751	2990	2924	2924	2943	2943	2980	2980	2980	2980	3136	3224	3058	3105	3265	3402	3234	3331	3633
WSFON2489X(D)-DD	2230	2788	3029	2982	2982	3004	3004	3043	3043	3043	3043	3202	3294	3131	3183	3345	3485	3321	3433	3745
WSFON2789X(D)	2415	3019	3290	3231	3231	3253	3253	3297	3297	3297	3297	3473	3575	3390	3450	3626	3784	3601	3719	4065
WSFON3089X(D)	2600	3250	3551	3478	3478	3501	3501	3551	3551	3551	3551	3746	3857	3651	3714	3911	4082	3877	4003	4381

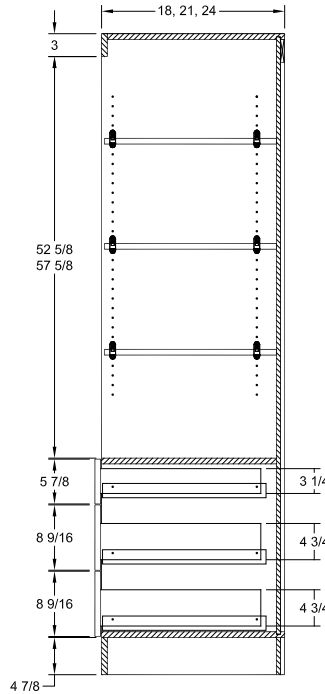
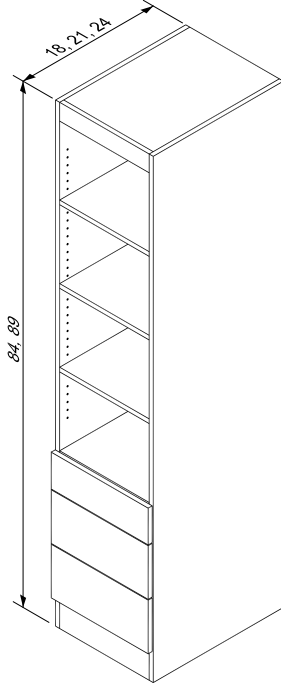
"(D)" Specify depth

Wall Beds and Wardrobes

WARDROBE - 3 DWR-LWR, OPEN-MID & UPPER

MODIFICATION LIMITS
No Modifications

- Drawers in lower section, top valance and flush toekick align with Wall Bed
 - Number of adjustable shelves depends on height
- Upper section: 84" H = 3 | 89" H = 4



WS3ON

84" or 89" H

- WS3ON18__X(18,21,24)
- WS3ON21__X(18,21,24)
- WS3ON24__X(18,21,24)
- WS3ON27__X(18,21,24)
- WS3ON30__X(18,21,24)

	M0	M1	M2	M3	M3A	M4	M4A	M5	M5A	M6	M6A	M7	M8	M9	M10	M11	M11A	M13	M15	M16
WS3ON — FULL 84" H x 18", 21" or 24" D																				
WS3ON1884X(D)	1957	2446	2654	2670	2670	2681	2681	2610	2610	2610	2610	2951	2985	2588	2641	2848	2951	2844	2876	3066
WS3ON2184X(D)	2142	2678	2912	2931	2931	2946	2946	2863	2863	2863	2863	3216	3260	2837	2893	3204	3321	3080	3114	3373
WS3ON2484X(D)	2327	2909	3172	3194	3194	3212	3212	3119	3119	3119	3119	3485	3536	3092	3148	3492	3623	3316	3351	3685
WS3ON2784X(D)	2493	3116	3389	3433	3433	3453	3453	3346	3346	3346	3346	3728	3780	3312	3377	3794	3943	3572	3618	4069
WS3ON3084X(D)	2676	3345	3650	3696	3696	3718	3718	3601	3601	3601	3601	3994	4055	3565	3631	4084	4248	3811	3855	4376
WS3ON — QUEEN 89" H x 18", 21" or 24" D																				
WS3ON1889X(D)	2023	2529	2748	2756	2756	2770	2770	2695	2695	2695	2695	3041	3080	2673	2725	2941	3048	2931	2963	3163
WS3ON2189X(D)	2220	2775	3021	3031	3031	3048	3048	2961	2961	2961	2961	3321	3368	2936	2993	3311	3433	3182	3214	3485
WS3ON2489X(D)	2415	3019	3294	3309	3309	3328	3328	3231	3231	3231	3231	3606	3660	3204	3261	3614	3752	3433	3465	3813
WS3ON2789X(D)	2593	3241	3528	3563	3563	3585	3585	3475	3475	3475	3475	3863	3923	3441	3506	3933	4091	3704	3748	4213
WS3ON3089X(D)	2787	3484	3804	3841	3841	3863	3863	3743	3743	3743	3743	4147	4213	3707	3774	4238	4410	3957	4001	4537

"(D)" Specify depth

Wall Beds and Wardrobes

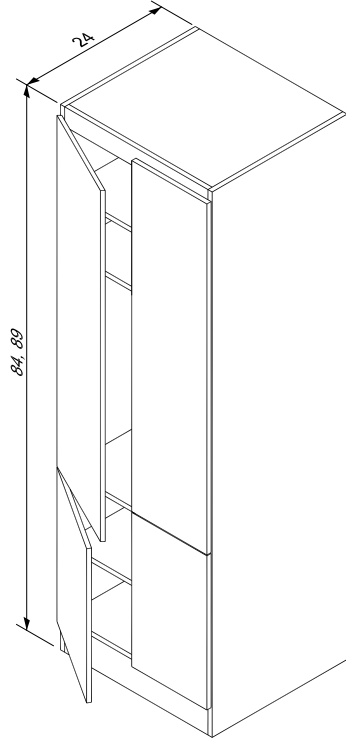
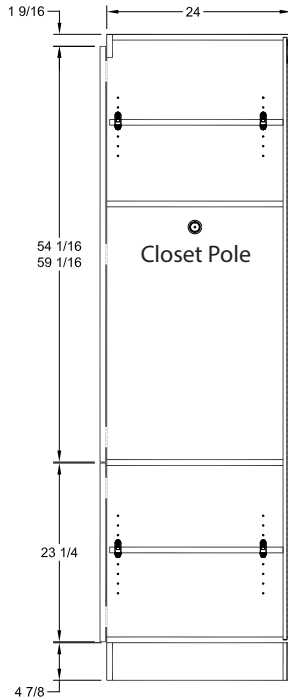
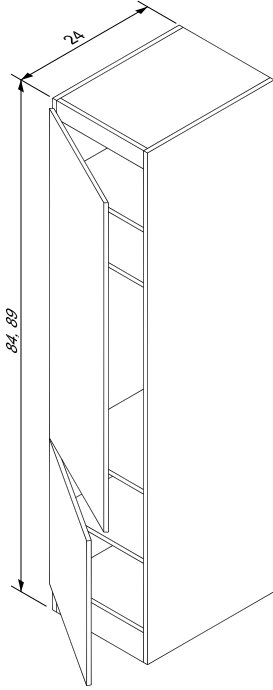
* L or R required

WARDROBE - DOOR LOWER, MID & UPPER

MODIFICATION LIMITS

No Modifications

- Top of doors in lower section, top valance and flush toekick align with those on Wall Bed
- Number of adjustable shelves:
Upper section: 84" H = 1 | 89" H = 1
Lower section = 1
- Polished chrome closet pole included



WSFHN2DR

84" or 89" H

WSFHN18_X24*

WSFHN21_X24*

WSFHN24_X24*

WSFHN4DR

84" or 89" H

WSFHN24_X24DD

WSFHN27_X24

WSFHN30_X24

	M0	M1	M2	M3	M3A	M4	M4A	M5	M5A	M6	M6A	M7	M8	M9	M10	M11	M11A	M13	M15	M16	
WSFHN — FULL 84" H x 24" D																					
WSFHN1884X24*	2102	2626	2914	2879	2944	2923	2989	3101	3183	3167	3249	3282	3347	3315	3421	3468	3653	3638	3967	4030	
WSFHN2184X24*	2324	2906	3238	3191	3267	3244	3321	3452	3548	3529	3624	3659	3736	3696	3816	3870	4083	4064	4443	4507	
WSFHN2484X24*	2546	3183	3564	3504	3592	3567	3654	3805	3914	3892	4002	4040	4125	4080	4213	4276	4516	4492	4920	4990	
WSFHN2484X24-DD	2622	3279	3661	3622	3709	3685	3773	3924	4033	4011	4120	4162	4248	4208	4346	4410	4654	4634	5073	5155	
WSFHN2784X24	2844	3555	3985	3934	4032	4003	4101	4271	4394	4369	4492	4539	4634	4585	4743	4811	5083	5062	5550	5638	
WSFHN3084X24	3066	3833	4310	4246	4355	4322	4432	4622	4759	4731	4868	4916	5021	4968	5140	5215	5516	5490	6025	6115	
WSFHN — QUEEN 89" H x 24" D																					
WSFHN1889X24*	2194	2743	3051	3009	3081	3058	3130	3247	3336	3318	3408	3439	3508	3474	3586	3635	3831	3815	4167	4225	
WSFHN2189X24*	2433	3041	3398	3342	3426	3401	3484	3621	3726	3705	3809	3842	3922	3881	4010	4064	4291	4272	4675	4734	
WSFHN2489X24*	2670	3338	3745	3679	3774	3745	3841	3998	4117	4093	4213	4249	4337	4291	4434	4498	4755	4730	5186	5248	
WSFHN2489X24-DD	2747	3434	3841	3794	3889	3863	3958	4116	4235	4212	4330	4371	4463	4419	4566	4632	4892	4870	5339	5413	
WSFHN2789X24	2985	3730	4189	4130	4237	4206	4313	4491	4625	4598	4732	4775	4876	4825	4992	5061	5353	5330	5851	5929	
WSFHN3089X24	3222	4027	4538	4465	4584	4546	4666	4866	5015	4985	5134	5180	5290	5234	5416	5493	5814	5787	6360	6440	

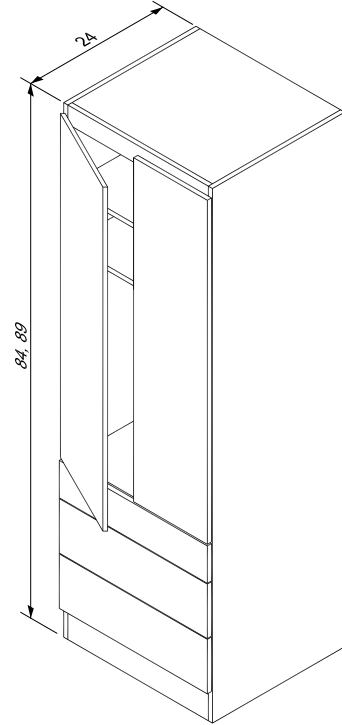
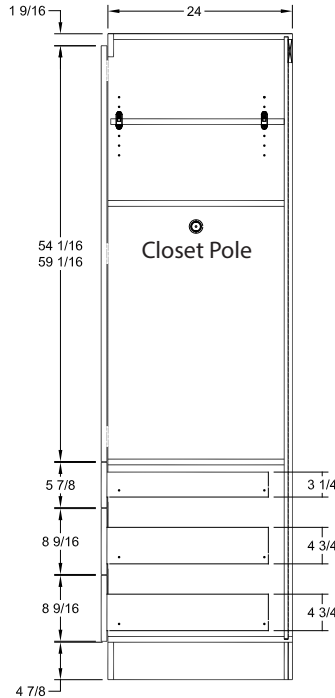
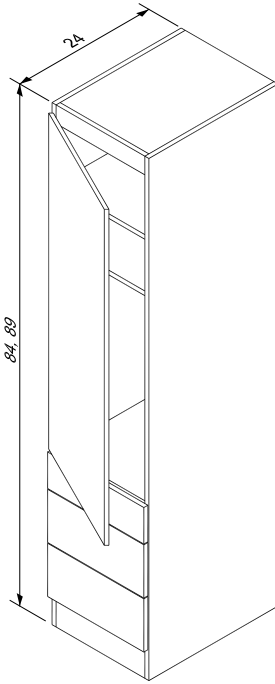
Wall Beds and Wardrobes

* L or R required

WARDROBE - 3-DWR LOWER, DR-MID-UPPER

MODIFICATION LIMITS
No Modifications

- Drawers in lower section, top valance and flush toekick align with Wall Bed
- Number of adjustable shelves depends on height
Upper section: 84" H = 1 | 89" H = 1
- Polished chrome closet pole included



WS3HN1DR

84" or 89" H

WS3HN18_X24*

WS3HN21_X24*

WS3HN24_X24*

WS3HN2DR

84" or 89" H

WS3HN24_X24DD

WS3HN27_X24

WS3HN30_X24

	M0	M1	M2	M3	M3A	M4	M4A	M5	M5A	M6	M6A	M7	M8	M9	M10	M11	M11A	M13	M15	M16	
WS3HN — FULL 84" H x 24" D																					
WS3HN1884X24*	2294	2867	3191	3206	3271	3251	3316	3327	3409	3392	3474	3733	3767	3452	3570	3712	3897	3889	4167	4193	
WS3HN2184X24*	2528	3160	3528	3547	3623	3600	3677	3690	3785	3766	3862	4119	4163	3836	3969	4203	4415	4289	4610	4679	
WS3HN2484X24*	2761	3451	3867	3889	3977	3952	4039	4056	4165	4143	4253	4510	4560	4226	4369	4626	4866	4690	5054	5169	
WS3HN2484X24-DD	2807	3510	3925	3947	4034	4009	4097	4112	4221	4199	4308	4566	4616	4281	4424	4681	4921	4744	5107	5223	
WS3HN2784X24	3022	3777	4222	4266	4364	4336	4434	4449	4572	4548	4670	4929	4982	4636	4799	5118	5390	5166	5579	5785	
WS3HN3084X24	3254	4067	4563	4609	4718	4685	4794	4814	4950	4923	5059	5316	5377	5024	5199	5543	5844	5570	6023	6271	
WS3HN — QUEEN 89" H x 24" D																					
WS3HN1889X24*	2386	2984	3328	3336	3408	3386	3457	3472	3562	3544	3633	3890	3929	3611	3736	3879	4076	4066	4367	4388	
WS3HN2189X24*	2636	3296	3688	3698	3782	3757	3841	3859	3963	3942	4047	4302	4349	4021	4163	4396	4623	4497	4843	4906	
WS3HN2489X24*	2885	3606	4048	4064	4159	4130	4226	4249	4368	4344	4464	4719	4773	4437	4590	4847	5104	4929	5320	5428	
WS3HN2489X24-DD	2932	3664	4106	4121	4216	4187	4282	4305	4424	4400	4519	4775	4829	4492	4644	4902	5158	4982	5371	5481	
WS3HN2789X24	3162	3953	4427	4462	4570	4538	4645	4669	4803	4776	4910	5165	5224	4876	5048	5368	5660	5434	5880	6077	
WS3HN3089X24	3410	4261	4790	4828	4947	4909	5029	5057	5206	5176	5325	5580	5646	5290	5475	5821	6141	5867	6358	6596	

Wall Beds and Wardrobes

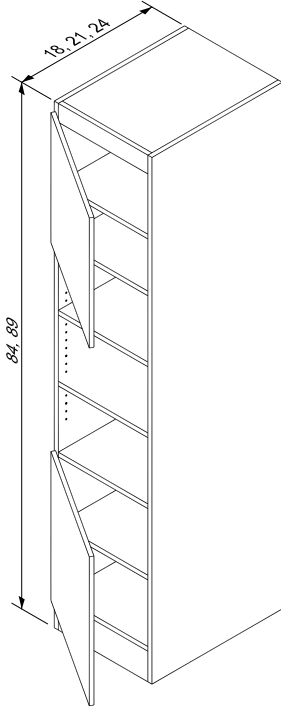
* L or R required

WARDROBE - FULL DR-LWR, OPN-MID, 21" UPPER

MODIFICATION LIMITS

No Modifications

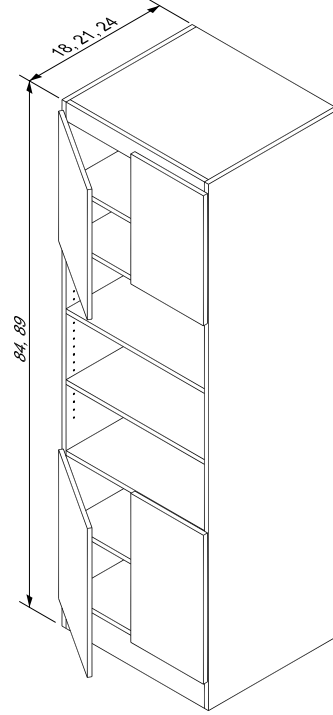
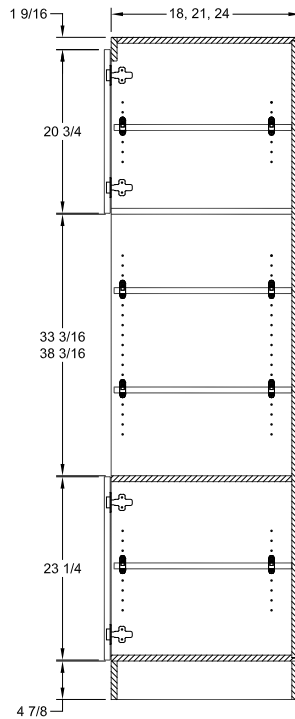
- Upper section is always 21" H
 - Top of doors in lower section, top valance and flush toekick align with those on Wall Bed
 - Number of adjustable shelves depends on height
- Upper & Lower section: 1 each
 Middle section: 84" H = 2 | 89" H = 3



WSFOT2DR

84" or 89" H

- WSFOT18__X(18,21,24)*
- WSFOT21__X(18,21,24)*
- WSFOT24__X(18,21,24)*



WSFOT4DR

84" or 89" H

- WSFOT24__X(18,21,24)DD
- WSFOT27__X(18,21,24)
- WSFOT30__X(18,21,24)

	M0	M1	M2	M3	M3A	M4	M4A	M5	M5A	M6	M6A	M7	M8	M9	M10	M11	M11A	M13	M15	M16
WSFOT — FULL 84" H x 18", 21" or 24" D																				
WSFOT1884X(D)*	1907	2384	2601	2565	2590	2590	2615	2677	2708	2702	2734	2817	2882	2800	2866	2952	3087	3011	3189	3353
WSFOT2184X(D)*	2101	2626	2876	2828	2858	2858	2888	2960	2997	2989	3026	3120	3196	3097	3171	3272	3426	3336	3538	3720
WSFOT2484X(D)*	2293	2866	3152	3093	3127	3128	3162	3245	3287	3278	3320	3426	3511	3398	3478	3595	3768	3662	3888	4092
WSFOT2484X(D)-DD	2354	2943	3231	3192	3225	3229	3262	3346	3388	3380	3422	3531	3617	3510	3594	3712	3889	3788	4026	4242
WSFOT2784X(D)	2546	3182	3506	3455	3492	3494	3532	3626	3673	3664	3711	3833	3928	3804	3901	4030	4226	4115	4376	4614
WSFOT3084X(D)	2738	3422	3782	3718	3760	3761	3803	3909	3962	3951	4003	4136	4241	4103	4208	4351	4568	4441	4723	4982
WSFOT — QUEEN 89" H x 18", 21" or 24" D																				
WSFOT1889X(D)*	2447	2467	2694	2652	2677	2678	2703	2762	2793	2787	2818	2907	2977	2884	2950	3046	3184	3098	3275	3450
WSFOT2189X(D)*	2178	2723	2984	2928	2958	2960	2989	3058	3095	3088	3124	3225	3305	3196	3271	3379	3538	3438	3638	3832
WSFOT2489X(D)*	2381	2976	3274	3208	3242	3244	3277	3357	3399	3390	3432	3546	3634	3510	3591	3717	3897	3779	4002	4220
WSFOT2489X(D)-DD	2442	3054	3353	3305	3339	3344	3378	3458	3500	3492	3534	3651	3743	3622	3708	3835	4018	3904	4141	4369
WSFOT2789X(D)	2646	3307	3645	3585	3623	3626	3664	3755	3802	3793	3840	3969	4071	3933	4030	4169	4374	4247	4507	4759
WSFOT3089X(D)	2850	3561	3936	3864	3905	3907	3948	4052	4104	4093	4146	4289	4399	4246	4351	4505	4729	4587	4869	5143

"(D)" Specify depth

Wall Beds and Wardrobes

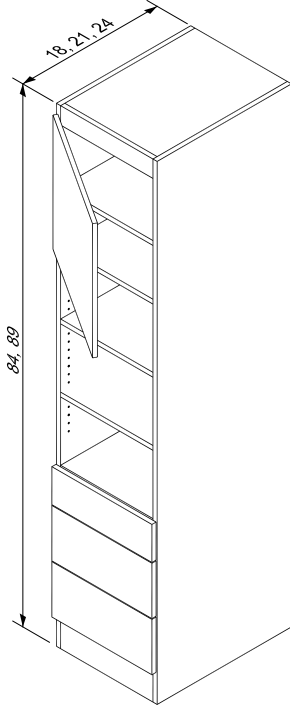
* L or R required

WARDROBE - DWRS-LWR, OPEN-MID, 21" UPPER

MODIFICATION LIMITS

No Modifications

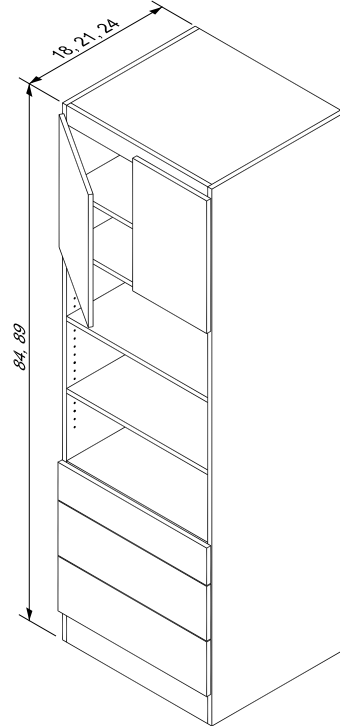
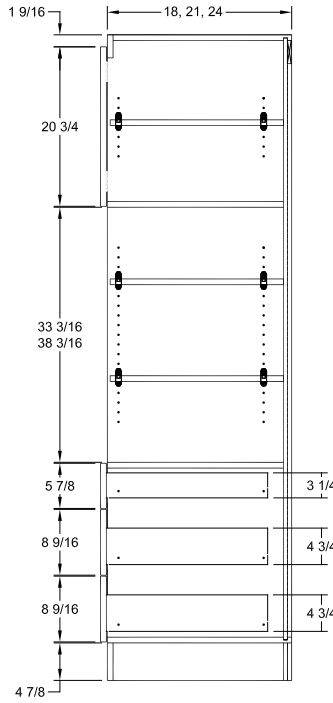
- Upper section is always 21" H
 - Drawers in lower section, top valance and flush toekick align with Wall Bed
 - Number of adjustable shelves depends on height
- Upper section: 1
Middle section: 84" H = 2 | 89" H = 3



WS3OT1DR

84" or 89" H

- WS3OT18__X(18,21,24)*
- WS3OT21__X(18,21,24)*
- WS3OT24__X(18,21,24)*



WS3OT2DR

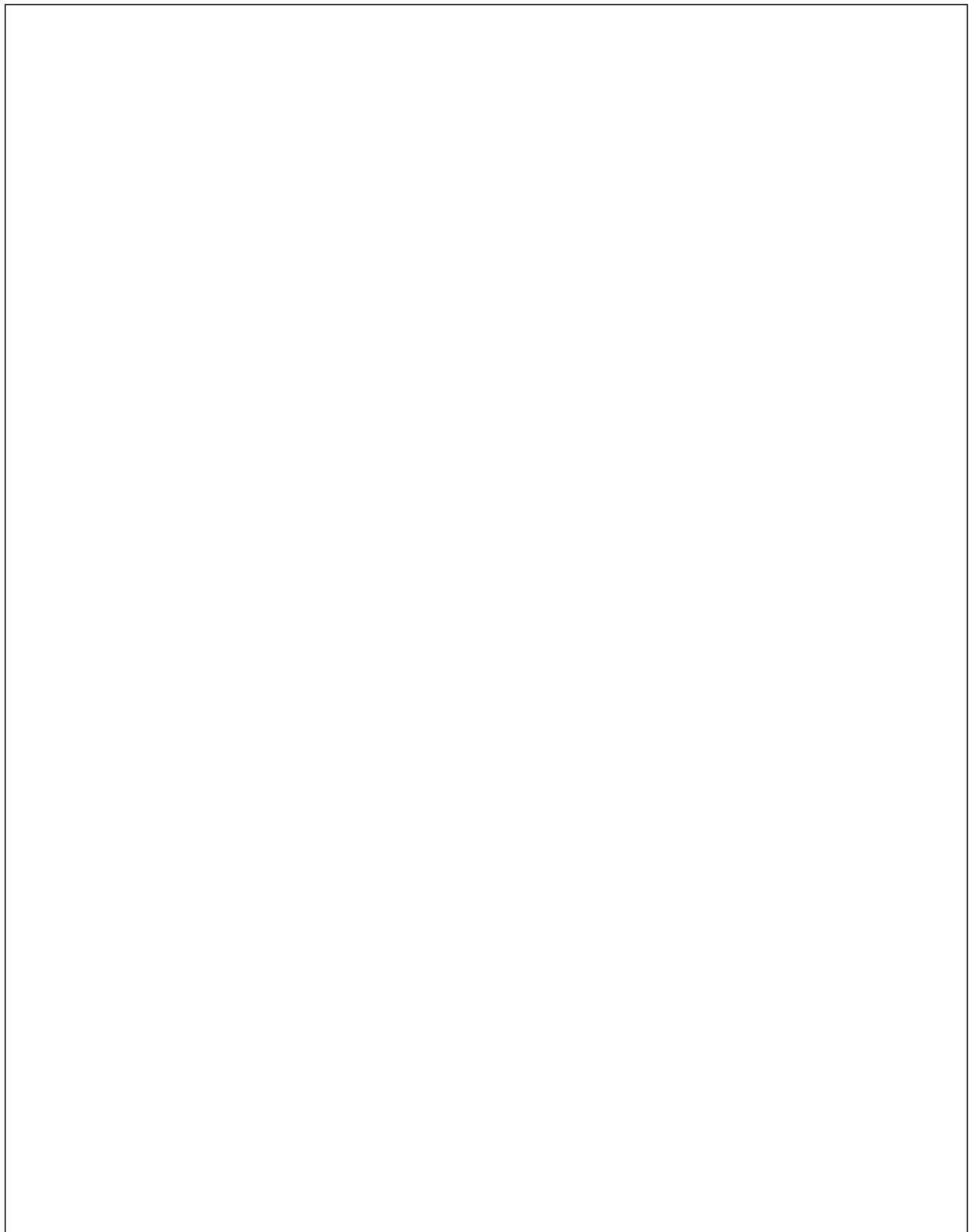
84" or 89" H

- WS3OT24__X(18,21,24)DD
- WS3OT27__X(18,21,24)
- WS3OT30__X(18,21,24)

	M0	M1	M2	M3	M3A	M4	M4A	M5	M5A	M6	M6A	M7	M8	M9	M10	M11	M11A	M13	M15	M16
WS3OT — FULL 84" H x 18", 21" or 24" D																				
WS3OT1884X(D)*	2100	2625	2877	2893	2918	2917	2942	2902	2934	2928	2959	3269	3302	2937	3015	3197	3331	3262	3389	3516
WS3OT2184X(D)*	2304	2880	3166	3184	3214	3214	3244	3197	3234	3227	3264	3580	3624	3238	3323	3604	3758	3561	3706	3892
WS3OT2484X(D)*	2507	3134	3456	3478	3512	3513	3547	3496	3538	3529	3571	3896	3947	3544	3634	3944	4117	3861	4022	4272
WS3OT2484X(D)-DD	2538	3174	3495	3517	3551	3553	3586	3535	3576	3568	3610	3934	3985	3583	3672	3983	4155	3899	4060	4310
WS3OT2784X(D)	2723	3404	3743	3787	3825	3826	3864	3804	3851	3842	3889	4223	4276	3855	3957	4337	4533	4218	4405	4762
WS3OT3084X(D)	2926	3656	4035	4081	4122	4124	4165	4101	4153	4143	4195	4536	4597	4159	4267	4678	4895	4520	4722	5138
WS3OT — QUEEN 89" H x 18", 21" or 24" D																				
WS3OT1889X(D)*	2167	2708	2971	2979	3004	3005	3030	2987	3019	3012	3044	3358	3397	3022	3100	3290	3428	3349	3475	3613
WS3OT2189X(D)*	2381	2977	3274	3284	3314	3316	3346	3296	3333	3325	3362	3685	3732	3336	3423	3711	3870	3663	3806	4003
WS3OT2489X(D)*	2595	3244	3578	3593	3627	3629	3662	3608	3650	3641	3683	4016	4070	3656	3747	4067	4246	3978	4136	4399
WS3OT2489X(D)-DD	2626	3284	3617	3633	3666	3668	3701	3647	3688	3680	3722	4055	4109	3695	3786	4105	4284	4016	4173	4437
WS3OT2789X(D)	2823	3530	3882	3918	3955	3959	3996	3933	3980	3971	4018	4359	4418	3984	4086	4476	4681	4350	4536	4906
WS3OT3089X(D)	3037	3795	4189	4226	4268	4269	4311	4243	4296	4285	4337	4689	4755	4302	4410	4833	5056	4666	4867	5299

"(D)" Specify depth

Wall Beds and Wardrobes



Accessories - General Information

Our comprehensive collection of wood mouldings, valances, toekick treatments, ornaments, corbels and legs allow you to customize our cabinetry to fit your taste and style. You choose the design and we'll provide the cabinetry and accessories for you to create a masterpiece.

Wood Species

- Unless otherwise specified in the item description, finished wood accessories are available in the following species: Maple, Cherry, Alder, Beech, Hickory, Red Oak, Sapele and Black Walnut
- Bamboo, VG Fir, Exotic Woods and Rift White Oak are available for limited items (please read items, species and door style pages)
- Finished wood accessories will match door selection
- Mouldings and wood accessories will be clear for Rustic orders

Alder, Bamboo, Exotic Wood Veneer, Rift White Oak and Sapele Notes:

- Not available for items over 96" long (exceptions are noted)
- Alder is available on 3/4" thick material over 96" except for moulding
- Alder, Black Walnut & Sapele require PLY substrate for 1/2" and 3/4" thick panels (CP, FP & TEP)
- Black Walnut & Sapele are not available in 3/8" thick panels or beaded items

Laminate Materials

- We do offer some accessories that round out our laminate door programs
- Foils, Greenlam, HPL and TSS are available for limited items which are specified with the door style pages (General Section)

Embossed Materials

- Some mouldings are created by using a process called "embossing" in which the pattern or detail is pressed into the wood at high temperature
- Burn marks and darkened areas in the wood are inherent results of embossing, and are not to be considered defects in the product
- Refer to specifications page to determine if a specific item is embossed

Painted Materials

- Wood painted accessories are available
- While we reserve the right to use the substrate of our choice, tight-grained, solid woods with smooth surfaces are typical
- Thermofoil door styles: paint is formulated to be compatible with our White or Crème Thermofoil doors. We cannot guarantee an exact match due to the number of variables and material types involved in the process
- As with all finished products, painted items must not come in contact with prolonged moisture or warranty will become void

Usable Moulding Lengths

- Mouldings are pre-trimmed by supplier prior to shipment to our facility
- Before product is finished, changes in temperature and humidity may cause ends of wood to crack or split
- We incorporate packaging and handling measures to reduce this natural occurrence but cannot guarantee against it altogether
- Guaranteed continuous, usable moulding:
84" when a 96" length is ordered | 108" when a 120" piece is ordered
- Please take this into consideration when designing and placing orders

Decorative Hardware

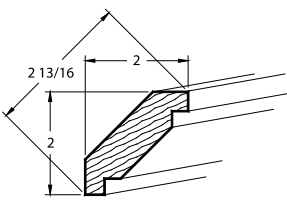
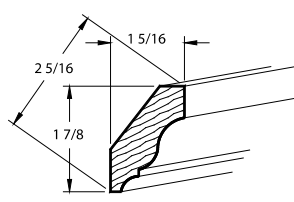
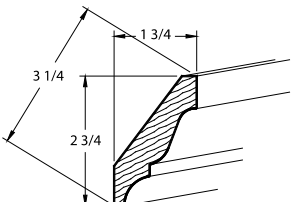
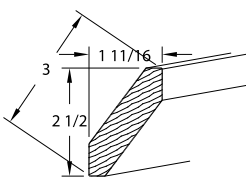
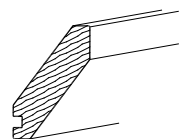
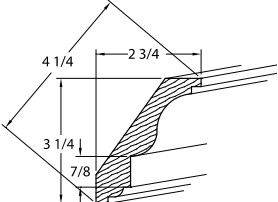
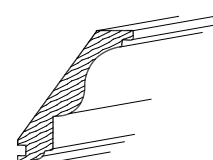
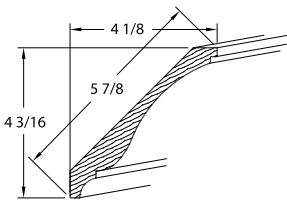
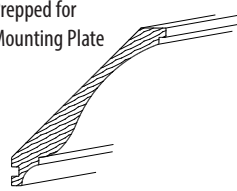
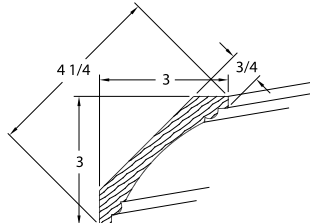
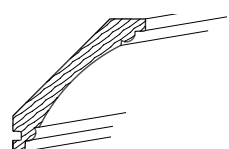
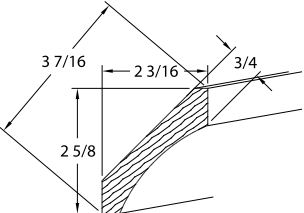
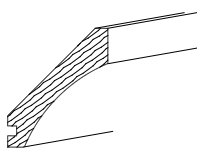
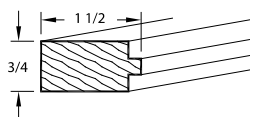
Our offering includes a selection of Decorative Hardware items that are pictured at the end of the accessories section. Samples may be ordered or viewed if you visit our showroom.

Brown Wood, Inc. products

We offer the entire "Designs of Distinction" collection by Brown Wood, Inc. Most of the items are available in our 20-20 electronic catalogs as well. The BWI catalog may be downloaded from our [website](#); log into CC Business for BWI pricing and 20-20 catalog download.

We reserve the right to change design, specifications, materials and pricing without prior notice.

Accessories - Mouldings

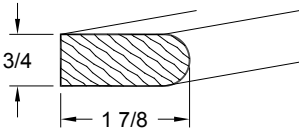
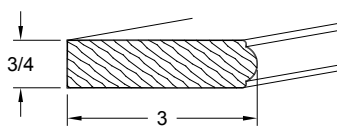
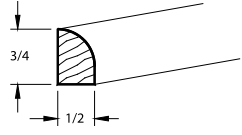
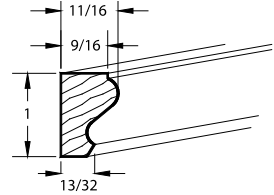
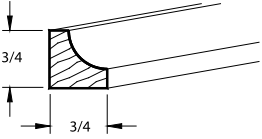
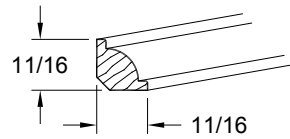
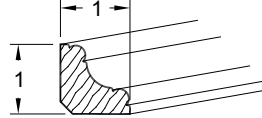
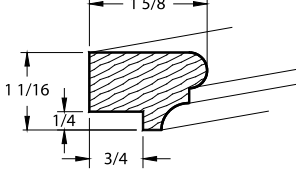
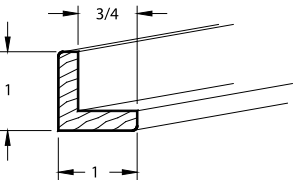
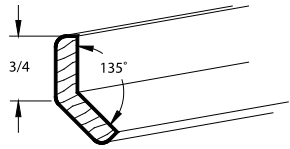
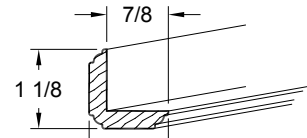
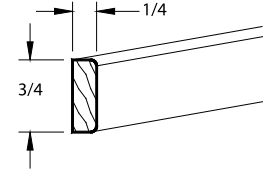
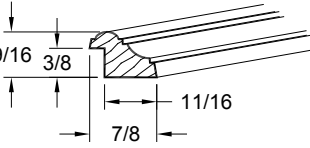
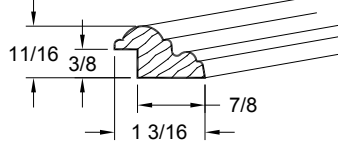
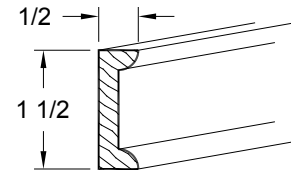
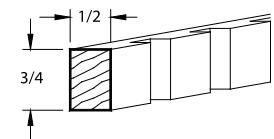
<p>Crown AC</p>  <table border="1" data-bbox="146 493 446 588"> <thead> <tr> <th>LENGTHS: 96", 120"</th> <th>MSRP</th> </tr> </thead> <tbody> <tr> <td>CRWN-ACX96</td> <td>161</td> </tr> <tr> <td>CRWN-ACX120</td> <td>215</td> </tr> </tbody> </table>	LENGTHS: 96", 120"	MSRP	CRWN-ACX96	161	CRWN-ACX120	215	<p>Crown 2</p>  <table border="1" data-bbox="609 493 909 588"> <thead> <tr> <th>LENGTHS: 96", 120"</th> <th>MSRP</th> </tr> </thead> <tbody> <tr> <td>CRWN2X96</td> <td>100</td> </tr> <tr> <td>CRWN2X120</td> <td>137</td> </tr> </tbody> </table>	LENGTHS: 96", 120"	MSRP	CRWN2X96	100	CRWN2X120	137	<p>Crown 3</p>  <table border="1" data-bbox="1079 493 1380 588"> <thead> <tr> <th>LENGTHS: 96", 120"</th> <th>MSRP</th> </tr> </thead> <tbody> <tr> <td>CRWN3X96</td> <td>141</td> </tr> <tr> <td>CRWN3X120</td> <td>188</td> </tr> </tbody> </table>	LENGTHS: 96", 120"	MSRP	CRWN3X96	141	CRWN3X120	188					
LENGTHS: 96", 120"	MSRP																								
CRWN-ACX96	161																								
CRWN-ACX120	215																								
LENGTHS: 96", 120"	MSRP																								
CRWN2X96	100																								
CRWN2X120	137																								
LENGTHS: 96", 120"	MSRP																								
CRWN3X96	141																								
CRWN3X120	188																								
<p>Crown 3S</p>  <table border="1" data-bbox="97 945 389 1039"> <thead> <tr> <th>LENGTHS: 96", 120"</th> <th>MSRP</th> </tr> </thead> <tbody> <tr> <td>CRWN3SX96</td> <td>161</td> </tr> <tr> <td>CRWN3SX120</td> <td>215</td> </tr> </tbody> </table> <p>Prepped for Mounting Plate</p>  <table border="1" data-bbox="446 945 755 1039"> <thead> <tr> <th>LENGTHS: 96", 120"</th> <th>MSRP</th> </tr> </thead> <tbody> <tr> <td>CRWN3SX96MP</td> <td>181</td> </tr> <tr> <td>CRWN3SX120MP</td> <td>241</td> </tr> </tbody> </table>	LENGTHS: 96", 120"	MSRP	CRWN3SX96	161	CRWN3SX120	215	LENGTHS: 96", 120"	MSRP	CRWN3SX96MP	181	CRWN3SX120MP	241	<p>Crown 4</p>  <table border="1" data-bbox="820 945 1120 1039"> <thead> <tr> <th>LENGTHS: 96", 120"</th> <th>MSRP</th> </tr> </thead> <tbody> <tr> <td>CRWN4X96</td> <td>283</td> </tr> <tr> <td>CRWN4X120</td> <td>388</td> </tr> </tbody> </table> <p>Prepped for Mounting Plate</p>  <table border="1" data-bbox="1169 945 1469 1039"> <thead> <tr> <th>LENGTHS: 96", 120"</th> <th>MSRP</th> </tr> </thead> <tbody> <tr> <td>CRWN4X96MP</td> <td>304</td> </tr> <tr> <td>CRWN4X120MP</td> <td>414</td> </tr> </tbody> </table>	LENGTHS: 96", 120"	MSRP	CRWN4X96	283	CRWN4X120	388	LENGTHS: 96", 120"	MSRP	CRWN4X96MP	304	CRWN4X120MP	414
LENGTHS: 96", 120"	MSRP																								
CRWN3SX96	161																								
CRWN3SX120	215																								
LENGTHS: 96", 120"	MSRP																								
CRWN3SX96MP	181																								
CRWN3SX120MP	241																								
LENGTHS: 96", 120"	MSRP																								
CRWN4X96	283																								
CRWN4X120	388																								
LENGTHS: 96", 120"	MSRP																								
CRWN4X96MP	304																								
CRWN4X120MP	414																								
<p>Crown 6</p>  <table border="1" data-bbox="97 1407 397 1501"> <thead> <tr> <th>LENGTHS: 96", 120"</th> <th>MSRP</th> </tr> </thead> <tbody> <tr> <td>CRWN6X96</td> <td>354</td> </tr> <tr> <td>CRWN6X120</td> <td>487</td> </tr> </tbody> </table> <p>Prepped for Mounting Plate</p>  <table border="1" data-bbox="446 1407 755 1501"> <thead> <tr> <th>LENGTHS: 96", 120"</th> <th>MSRP</th> </tr> </thead> <tbody> <tr> <td>CRWN6X96MP</td> <td>375</td> </tr> <tr> <td>CRWN6X120MP</td> <td>512</td> </tr> </tbody> </table>	LENGTHS: 96", 120"	MSRP	CRWN6X96	354	CRWN6X120	487	LENGTHS: 96", 120"	MSRP	CRWN6X96MP	375	CRWN6X120MP	512	<p>Crown CB4</p>  <table border="1" data-bbox="812 1407 1112 1501"> <thead> <tr> <th>LENGTHS: 96", 120"</th> <th>MSRP</th> </tr> </thead> <tbody> <tr> <td>CRWN-CB4X96</td> <td>266</td> </tr> <tr> <td>CRWN-CB4X120</td> <td>371</td> </tr> </tbody> </table> <p>Prepped for Mounting Plate</p>  <table border="1" data-bbox="1169 1407 1469 1501"> <thead> <tr> <th>LENGTHS: 96", 120"</th> <th>MSRP</th> </tr> </thead> <tbody> <tr> <td>CRWN-CB4X96MP</td> <td>287</td> </tr> <tr> <td>CRWN-CB4X120MP</td> <td>392</td> </tr> </tbody> </table>	LENGTHS: 96", 120"	MSRP	CRWN-CB4X96	266	CRWN-CB4X120	371	LENGTHS: 96", 120"	MSRP	CRWN-CB4X96MP	287	CRWN-CB4X120MP	392
LENGTHS: 96", 120"	MSRP																								
CRWN6X96	354																								
CRWN6X120	487																								
LENGTHS: 96", 120"	MSRP																								
CRWN6X96MP	375																								
CRWN6X120MP	512																								
LENGTHS: 96", 120"	MSRP																								
CRWN-CB4X96	266																								
CRWN-CB4X120	371																								
LENGTHS: 96", 120"	MSRP																								
CRWN-CB4X96MP	287																								
CRWN-CB4X120MP	392																								
<p>Crown CV3</p>  <table border="1" data-bbox="97 1858 389 1953"> <thead> <tr> <th>LENGTHS: 96", 120"</th> <th>MSRP</th> </tr> </thead> <tbody> <tr> <td>CRWN-CV3X96</td> <td>170</td> </tr> <tr> <td>CRWN-CV3X120</td> <td>226</td> </tr> </tbody> </table> <p>Prepped for Mounting Plate</p>  <table border="1" data-bbox="446 1858 747 1953"> <thead> <tr> <th>LENGTHS: 96", 120"</th> <th>MSRP</th> </tr> </thead> <tbody> <tr> <td>CRWN-CV3X96MP</td> <td>190</td> </tr> <tr> <td>CRWN-CV3X120MP</td> <td>246</td> </tr> </tbody> </table>	LENGTHS: 96", 120"	MSRP	CRWN-CV3X96	170	CRWN-CV3X120	226	LENGTHS: 96", 120"	MSRP	CRWN-CV3X96MP	190	CRWN-CV3X120MP	246	<p>Mounting Plate</p>  <table border="1" data-bbox="812 1858 1112 1953"> <thead> <tr> <th>LENGTHS: 96", 120"</th> <th>MSRP</th> </tr> </thead> <tbody> <tr> <td>MP96</td> <td>115</td> </tr> <tr> <td>MP120</td> <td>158</td> </tr> </tbody> </table>	LENGTHS: 96", 120"	MSRP	MP96	115	MP120	158						
LENGTHS: 96", 120"	MSRP																								
CRWN-CV3X96	170																								
CRWN-CV3X120	226																								
LENGTHS: 96", 120"	MSRP																								
CRWN-CV3X96MP	190																								
CRWN-CV3X120MP	246																								
LENGTHS: 96", 120"	MSRP																								
MP96	115																								
MP120	158																								

Accessories - Mouldings

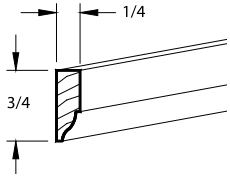
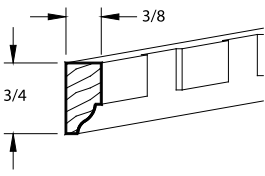
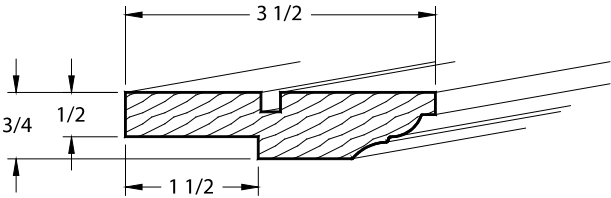
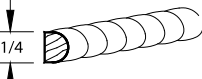
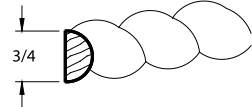
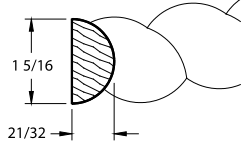
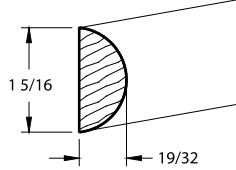
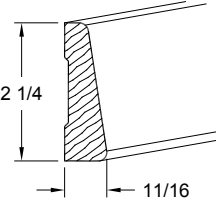
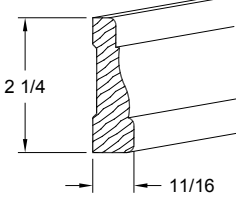
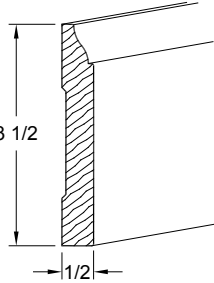
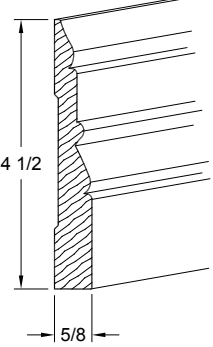


Visit CC Business to see the full Brown Wood Inc. accessories offering.
<https://www.canyoncreek.com/cc-business/brown-wood-inc-catalogs/>

Accessories - Mouldings

<p>Bull Nose</p>  <table border="1" data-bbox="99 495 402 590"> <thead> <tr> <th>LENGTHS: 96", 120"</th> <th>MSRP</th> </tr> </thead> <tbody> <tr> <td>BN96</td> <td>100</td> </tr> <tr> <td>BN120</td> <td>112</td> </tr> </tbody> </table>	LENGTHS: 96", 120"	MSRP	BN96	100	BN120	112	<p>Beaded Bull Nose</p>  <table border="1" data-bbox="461 495 748 590"> <thead> <tr> <th>LENGTHS: 96", 120"</th> <th>MSRP</th> </tr> </thead> <tbody> <tr> <td>BNB3X96</td> <td>149</td> </tr> <tr> <td>BNB3X120</td> <td>185</td> </tr> </tbody> </table>	LENGTHS: 96", 120"	MSRP	BNB3X96	149	BNB3X120	185	<p>Base Shoe</p>  <table border="1" data-bbox="805 495 1092 590"> <thead> <tr> <th>LENGTHS: 96", 120"</th> <th>MSRP</th> </tr> </thead> <tbody> <tr> <td>BSHM96</td> <td>63</td> </tr> <tr> <td>BSHM120</td> <td>83</td> </tr> </tbody> </table>	LENGTHS: 96", 120"	MSRP	BSHM96	63	BSHM120	83	<p>Cap</p>  <table border="1" data-bbox="1195 495 1446 558"> <thead> <tr> <th>LENGTH: 96"</th> <th>MSRP</th> </tr> </thead> <tbody> <tr> <td>CAPM96</td> <td>112</td> </tr> </tbody> </table>	LENGTH: 96"	MSRP	CAPM96	112
LENGTHS: 96", 120"	MSRP																								
BN96	100																								
BN120	112																								
LENGTHS: 96", 120"	MSRP																								
BNB3X96	149																								
BNB3X120	185																								
LENGTHS: 96", 120"	MSRP																								
BSHM96	63																								
BSHM120	83																								
LENGTH: 96"	MSRP																								
CAPM96	112																								
<p>Inside Corner</p>  <table border="1" data-bbox="99 947 367 1010"> <thead> <tr> <th>LENGTH: 96"</th> <th>MSRP</th> </tr> </thead> <tbody> <tr> <td>ICM96</td> <td>63</td> </tr> </tbody> </table>	LENGTH: 96"	MSRP	ICM96	63	<p>Inside Corner Ogee</p>  <table border="1" data-bbox="480 947 732 1010"> <thead> <tr> <th>LENGTH: 96"</th> <th>MSRP</th> </tr> </thead> <tbody> <tr> <td>ICM96-OG</td> <td>166</td> </tr> </tbody> </table>	LENGTH: 96"	MSRP	ICM96-OG	166	<p>Inside Corner Ogee 2</p>  <table border="1" data-bbox="837 947 1081 1010"> <thead> <tr> <th>LENGTH: 96"</th> <th>MSRP</th> </tr> </thead> <tbody> <tr> <td>ICM96-OG2</td> <td>166</td> </tr> </tbody> </table>	LENGTH: 96"	MSRP	ICM96-OG2	166	<p>Cornice</p>  <table border="1" data-bbox="1179 947 1430 1010"> <thead> <tr> <th>LENGTH: 96"</th> <th>MSRP</th> </tr> </thead> <tbody> <tr> <td>COR96</td> <td>137</td> </tr> </tbody> </table>	LENGTH: 96"	MSRP	COR96	137						
LENGTH: 96"	MSRP																								
ICM96	63																								
LENGTH: 96"	MSRP																								
ICM96-OG	166																								
LENGTH: 96"	MSRP																								
ICM96-OG2	166																								
LENGTH: 96"	MSRP																								
COR96	137																								
<p>Outside Corner</p>  <table border="1" data-bbox="99 1409 375 1472"> <thead> <tr> <th>LENGTH: 96"</th> <th>MSRP</th> </tr> </thead> <tbody> <tr> <td>OCM96</td> <td>63</td> </tr> </tbody> </table>	LENGTH: 96"	MSRP	OCM96	63	<p>Outside Corner 135°</p>  <table border="1" data-bbox="480 1409 724 1472"> <thead> <tr> <th>LENGTH: 96"</th> <th>MSRP</th> </tr> </thead> <tbody> <tr> <td>OC135M96</td> <td>149</td> </tr> </tbody> </table>	LENGTH: 96"	MSRP	OC135M96	149	<p>Outside Corner Ogee</p>  <table border="1" data-bbox="837 1409 1081 1472"> <thead> <tr> <th>LENGTH: 96"</th> <th>MSRP</th> </tr> </thead> <tbody> <tr> <td>OCM96-OG</td> <td>149</td> </tr> </tbody> </table>	LENGTH: 96"	MSRP	OCM96-OG	149	<p>Scribe</p>  <table border="1" data-bbox="1179 1409 1446 1472"> <thead> <tr> <th>LENGTH: 96"</th> <th>MSRP</th> </tr> </thead> <tbody> <tr> <td>MS96</td> <td>44</td> </tr> </tbody> </table>	LENGTH: 96"	MSRP	MS96	44						
LENGTH: 96"	MSRP																								
OCM96	63																								
LENGTH: 96"	MSRP																								
OC135M96	149																								
LENGTH: 96"	MSRP																								
OCM96-OG	149																								
LENGTH: 96"	MSRP																								
MS96	44																								
<p>Panel 1</p>  <table border="1" data-bbox="99 1860 402 1955"> <thead> <tr> <th>LENGTHS: 96", 120"</th> <th>MSRP</th> </tr> </thead> <tbody> <tr> <td>PNLMLD1-96</td> <td>112</td> </tr> <tr> <td>PNLMLD1-120</td> <td>142</td> </tr> </tbody> </table>	LENGTHS: 96", 120"	MSRP	PNLMLD1-96	112	PNLMLD1-120	142	<p>Panel 2</p>  <table border="1" data-bbox="461 1860 748 1955"> <thead> <tr> <th>LENGTHS: 96", 120"</th> <th>MSRP</th> </tr> </thead> <tbody> <tr> <td>PNLMLD2-96</td> <td>112</td> </tr> <tr> <td>PNLMLD2-120</td> <td>142</td> </tr> </tbody> </table>	LENGTHS: 96", 120"	MSRP	PNLMLD2-96	112	PNLMLD2-120	142	<p>Panel 3</p>  <table border="1" data-bbox="821 1860 1109 1955"> <thead> <tr> <th>LENGTHS: 96", 120"</th> <th>MSRP</th> </tr> </thead> <tbody> <tr> <td>PNLMLD3-96</td> <td>102</td> </tr> <tr> <td>PNLMLD3-120</td> <td>126</td> </tr> </tbody> </table>	LENGTHS: 96", 120"	MSRP	PNLMLD3-96	102	PNLMLD3-120	126	<p>Dentil</p>  <table border="1" data-bbox="1179 1860 1446 1923"> <thead> <tr> <th>LENGTH: 96"</th> <th>MSRP</th> </tr> </thead> <tbody> <tr> <td>DM96</td> <td>136</td> </tr> </tbody> </table>	LENGTH: 96"	MSRP	DM96	136
LENGTHS: 96", 120"	MSRP																								
PNLMLD1-96	112																								
PNLMLD1-120	142																								
LENGTHS: 96", 120"	MSRP																								
PNLMLD2-96	112																								
PNLMLD2-120	142																								
LENGTHS: 96", 120"	MSRP																								
PNLMLD3-96	102																								
PNLMLD3-120	126																								
LENGTH: 96"	MSRP																								
DM96	136																								

Accessories - Mouldings

<p>Ogee</p>  <table border="1" data-bbox="170 506 423 569"> <thead> <tr> <th>LENGTH: 96"</th> <th>MSRP</th> </tr> </thead> <tbody> <tr> <td>OGM96</td> <td>49</td> </tr> </tbody> </table>	LENGTH: 96"	MSRP	OGM96	49	<p>Ogee Dentil</p>  <table border="1" data-bbox="532 506 786 569"> <thead> <tr> <th>LENGTH: 96"</th> <th>MSRP</th> </tr> </thead> <tbody> <tr> <td>OGDM96</td> <td>142</td> </tr> </tbody> </table>	LENGTH: 96"	MSRP	OGDM96	142	<p>Plate Rail</p>  <table border="1" data-bbox="1068 506 1321 569"> <thead> <tr> <th>LENGTH: 96"</th> <th>MSRP</th> </tr> </thead> <tbody> <tr> <td>PR96</td> <td>187</td> </tr> </tbody> </table>		LENGTH: 96"	MSRP	PR96	187												
LENGTH: 96"	MSRP																										
OGM96	49																										
LENGTH: 96"	MSRP																										
OGDM96	142																										
LENGTH: 96"	MSRP																										
PR96	187																										
<p>Rope – Small</p> <ul style="list-style-type: none"> • Available in embossed whitewood only • Random lengths only • Specify total linear feet needed (EX: RMS 8 feet)  <table border="1" data-bbox="170 961 407 1024"> <thead> <tr> <th>RMS</th> <th>MSRP</th> <th>PER LF</th> </tr> </thead> <tbody> <tr> <td></td> <td>22</td> <td></td> </tr> </tbody> </table>	RMS	MSRP	PER LF		22		<p>Rope</p> <ul style="list-style-type: none"> • Not available in Alder or Sapele • Machine-carved  <table border="1" data-bbox="532 961 769 1024"> <thead> <tr> <th>LENGTH: 96"</th> <th>MSRP</th> </tr> </thead> <tbody> <tr> <td>RM96</td> <td>153</td> </tr> </tbody> </table>	LENGTH: 96"	MSRP	RM96	153	<p>Rope – Large</p> <ul style="list-style-type: none"> • Not available in Alder or Sapele • Machine-carved  <table border="1" data-bbox="883 961 1133 1024"> <thead> <tr> <th>LENGTH: 96"</th> <th>MSRP</th> </tr> </thead> <tbody> <tr> <td>RML96</td> <td>309</td> </tr> </tbody> </table>	LENGTH: 96"	MSRP	RML96	309	<p>Half-Round</p> <ul style="list-style-type: none"> • Not available in Alder or Sapele • Machine-carved  <table border="1" data-bbox="1247 961 1500 1024"> <thead> <tr> <th>LENGTH: 96"</th> <th>MSRP</th> </tr> </thead> <tbody> <tr> <td>HRM96</td> <td>165</td> </tr> </tbody> </table>	LENGTH: 96"	MSRP	HRM96	165						
RMS	MSRP	PER LF																									
	22																										
LENGTH: 96"	MSRP																										
RM96	153																										
LENGTH: 96"	MSRP																										
RML96	309																										
LENGTH: 96"	MSRP																										
HRM96	165																										
<p>Casing Base – A</p>  <table border="1" data-bbox="159 1556 451 1654"> <thead> <tr> <th>LENGTHS: 96", 120"</th> <th>MSRP</th> </tr> </thead> <tbody> <tr> <td>CB-A96</td> <td>165</td> </tr> <tr> <td>CB-A120</td> <td>220</td> </tr> </tbody> </table>	LENGTHS: 96", 120"	MSRP	CB-A96	165	CB-A120	220	<p>Casing Base – B</p>  <table border="1" data-bbox="516 1556 808 1654"> <thead> <tr> <th>LENGTHS: 96", 120"</th> <th>MSRP</th> </tr> </thead> <tbody> <tr> <td>CB-B96</td> <td>165</td> </tr> <tr> <td>CB-B120</td> <td>220</td> </tr> </tbody> </table>	LENGTHS: 96", 120"	MSRP	CB-B96	165	CB-B120	220	<p>Casing Base – C</p>  <table border="1" data-bbox="867 1556 1159 1654"> <thead> <tr> <th>LENGTHS: 96", 120"</th> <th>MSRP</th> </tr> </thead> <tbody> <tr> <td>CB-C96</td> <td>205</td> </tr> <tr> <td>CB-C120</td> <td>282</td> </tr> </tbody> </table>	LENGTHS: 96", 120"	MSRP	CB-C96	205	CB-C120	282	<p>Casing Base – D</p>  <table border="1" data-bbox="1224 1556 1516 1654"> <thead> <tr> <th>LENGTHS: 96", 120"</th> <th>MSRP</th> </tr> </thead> <tbody> <tr> <td>CB-D96</td> <td>239</td> </tr> <tr> <td>CB-D120</td> <td>322</td> </tr> </tbody> </table>	LENGTHS: 96", 120"	MSRP	CB-D96	239	CB-D120	322
LENGTHS: 96", 120"	MSRP																										
CB-A96	165																										
CB-A120	220																										
LENGTHS: 96", 120"	MSRP																										
CB-B96	165																										
CB-B120	220																										
LENGTHS: 96", 120"	MSRP																										
CB-C96	205																										
CB-C120	282																										
LENGTHS: 96", 120"	MSRP																										
CB-D96	239																										
CB-D120	322																										

Accessories - Mouldings

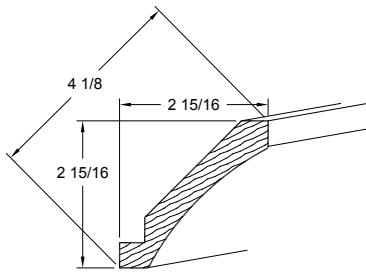
Exotic Wood Veneer Mouldings

- Only available with Exotic Wood Veneers
 - Pressed veneer (not solid wood)
 - Grain direction runs vertical along the length of piece
- ☞ • Natural wood veneer will have visible color and character variations from piece to piece and order to order
- Natural variation in color, texture or grain of wood is not considered a defect and therefore will not be replaceable under a warranty
 - Color and grain variation should be expected and are characteristics unique to the beauty of wood products

Available Species & Up-Charges

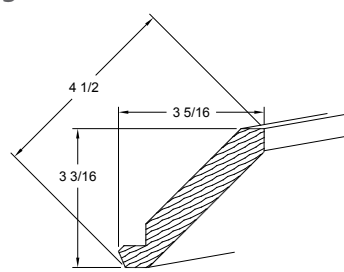
Exotic Wood Veneers	Nomenclature	Up-Charge
American Red Gum	ARG	5%
Quartered Black Walnut	QBW	0%
Quartered Cherry	QCH	0%
Quartered English Sycamore	QES	15%
Rec. Rosewood	RRW	15%
Rec. Wenge	RW	15%
Rec. Zebrawood	RZW	7%

Cove Crown



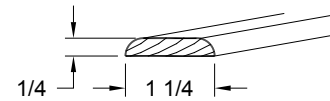
LENGTHS: 96" MSRP
CC96 302

Straight Crown



LENGTHS: 96" MSRP
SC96 302

Scribe Moulding

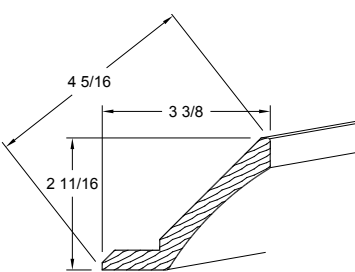


LENGTH: 96" MSRP
SM96 112

Super Matte Foil Mouldings

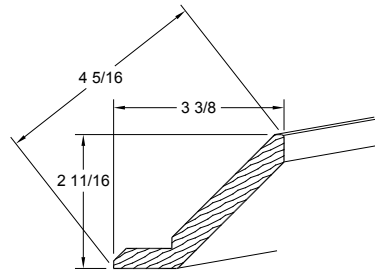
- Foil wrapped MDF mouldings

Cove Crown - Foil Wrapped



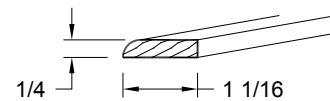
LENGTHS: 96" MSRP
CC96-F 321

Straight Crown - Foil Wrapped



LENGTHS: 96" MSRP
SC96-F 321

Scribe Moulding - Foil Wrapped

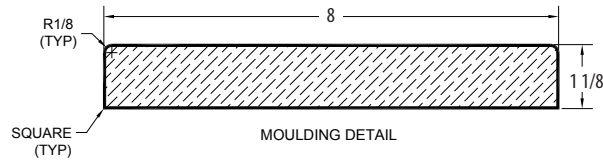


LENGTH: 96" MSRP
SM96-F 112

Accessories - Mouldings

Laminate Full-Wrap Moulding

- 1-1/8" x 8" x 96" full-wrap mouldings with MDF substrate
- Available in any Greenlam HPL color, Black HPL and Grey HPL

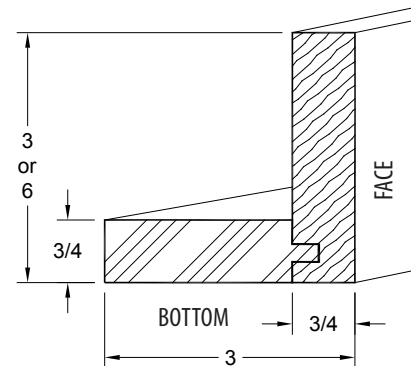


- Customers may choose to rip mouldings in half when applying to top or bottom of cabinets in order to use material more efficiently

Item	Description	MSRP
NFM96HPL	Match Door HPL	161
NFM96BLK	Black HPL (WA 1595-6)	161
NFM96GRY	Grey HPL (WA D90-6)	161

Moulding Risers

- Available 3" or 6" high
- Finished face and bottom
- Bottom is always plywood
- Face material is solid wood or plywood
 - **Solid wood** face choices are: Alder, Bamboo, Beech, Cherry, Hickory, Maple, Red Oak, Rift White Oak, Sapele and VG Fir
 - **Plywood** face only allowed with: Exotic Wood Veneer, GreenLam, Foils, HPL or TSS material
 - Back will match cabinet interior
 - Strata door: grain and species will match vertical stiles

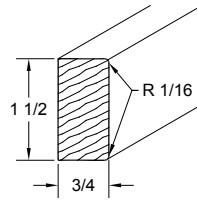
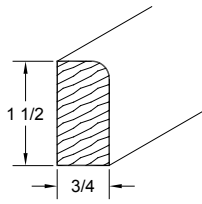


FACE	LENGTH: 96"	STD MSRP	Exotics
Solid wood	MR396	356	-
	MR696	505	-
Plywood	MR396-PLY	300	477
	MR696-PLY	383	733

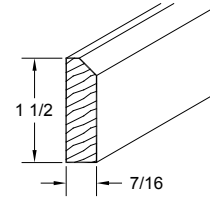
Accessories - Self Edge & Backsplash

Self-Edge (1-1/2" Tall)

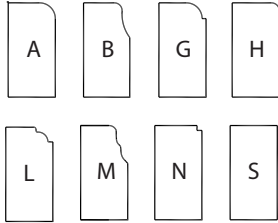
- Finished one face and two long edges
- Edge detail applied to one edge
- Specify edge detail when ordering (EX: SE96A)



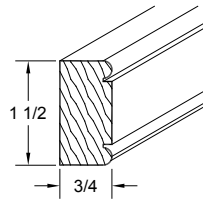
LENGTHS: 96", 120"	MSRP
SE96	66
SE120	90



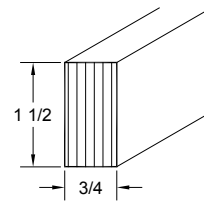
LENGTHS: 96", 120"	MSRP
SE96C	66
SE120C	90



LENGTHS: 96", 120"	MSRP
SE96__	102
SE120__	141

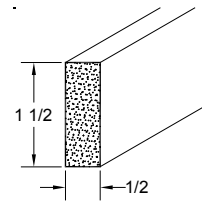


LENGTHS: 96", 120"	MSRP
SE96DB	134
SE120DB	170



LENGTH: 96"	MSRP
SE96PLY	22

Plycore, not finished

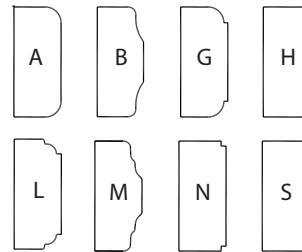
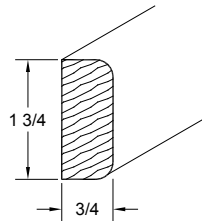


LENGTH: 96"	MSRP
SE96PB	17

Particleboard, not finished

Self-Edge (1-3/4" Tall)

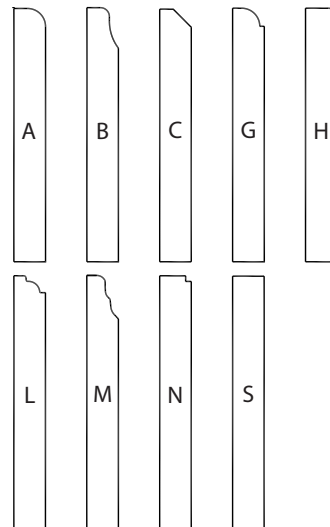
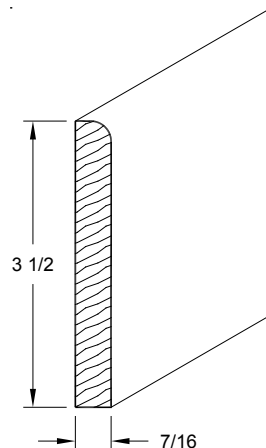
- Finished one face and two long edges
- Edge detail applied to two edges
- Specify edge detail when ordering (EX: SE96A2)



LENGTHS: 96", 120"	MSRP
SE96__2	134
SE120__2	170

Backsplash (3-1/2" Tall)

- Finished one face and detailed edge
- Edge detail applied to one edge
- Specify edge detail when ordering (EX: BSP96M)

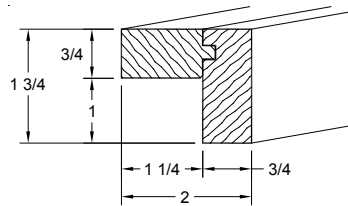


LENGTHS: 96", 120"	MSRP
BSP96__	105
BSP120__	141

Accessories - Light Valances & Arched Valances

Light Valance (1-3/4" Tall)

- Prepped for and includes loose mounting plate (MP)
- Specify edge detail when ordering (EX: LV1.75X96G2)
- N/A: VG Fir and Bamboo

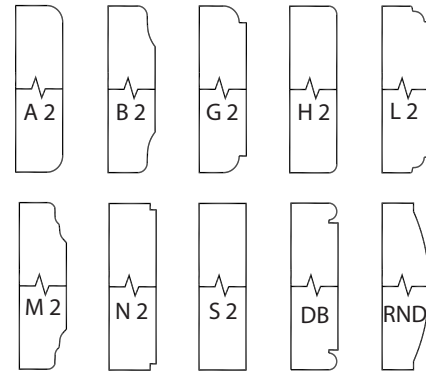


Shown with MP assembled

LENGTHS: 96", 120"	MSRP
LV1.75X96__	285
LV1.75X120__	392

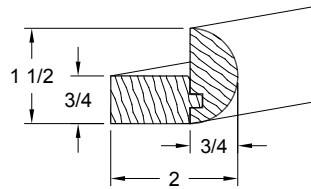
Light Valance Edge Details

- Only available for 1-3/4" & 2-1/2" tall



Light Valance (1-1/2" Tall)

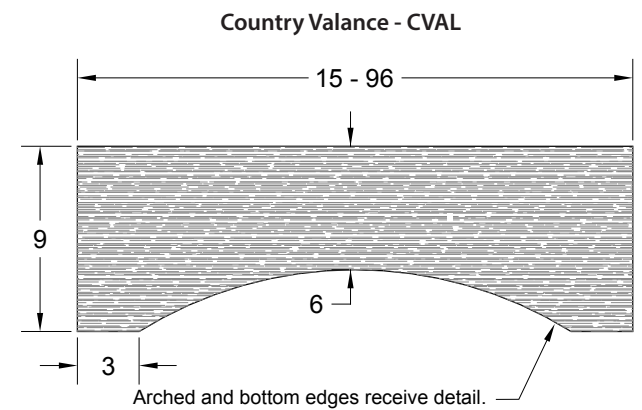
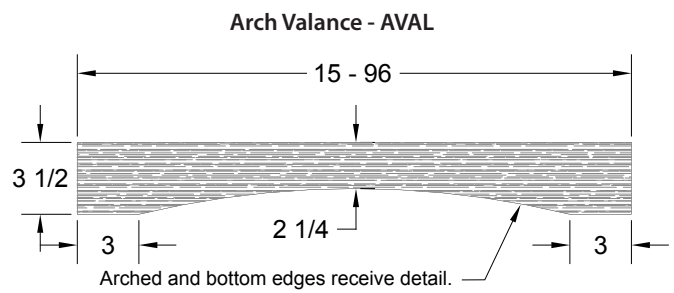
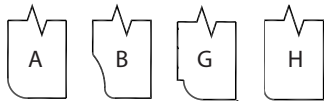
- Bull nose edge detail only
- Shipped assembled
- N/A: VG Fir and Bamboo



LENGTHS: 96", 120"	MSRP
LV1.5X96BN	395
LV1.5X120BN	480

Arched Valances

- Lengths: from 15" min. to 96" max.
- Edge-glued solid wood
- Finished two faces and arched edge
- Edge detail applied to arched and bottom edges
- Radius of arc depends on length of valance (36" shown)



HOW TO ORDER

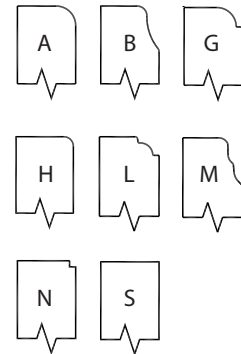
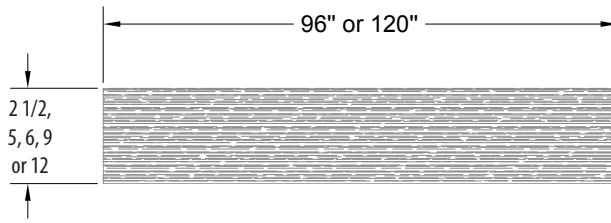
Valance +	Length (1" increments)	Edge Detail
AVAL	36	B

	MSRP (per lineal inch)	Minimum MSRP	Maximum MSRP
AVAL	4.24	119	339
CVAL	5.94	170	475

Accessories - Straight & Arched Toekick Valance

Straight Valance

- 3/4" Thick
- Finished two faces and two long edges
- Edge detail applied to one edge
- Specify edge detail when ordering (EX: SVAL5X96A)



Exotic Woods, Foil, Greenlam, and Thermo Structured (TSS)

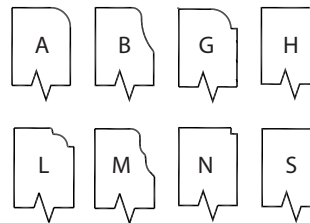
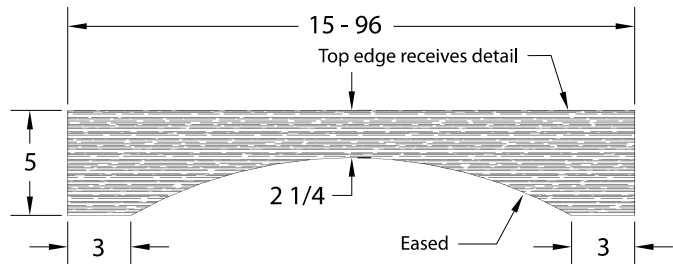
- "S" Edge only
- Veneered one face & edge banded four edges
- PBD Substrate (NAF if Greenlam)
- See pages G-45, G-55, G-59, G-61 & G-63 for a list of accessories offered

2.5" Tall	LENGTHS: 96", 120"		MSRP	EXOTIC	5" Tall	LENGTHS: 96", 120"		MSRP	EXOTIC
	SVAL2.5X96__	SVAL2.5X120__				SVAL5X96__	SVAL5X120__		
			246	214				339	427
			331	NA				577	NA

6" Tall	LENGTHS: 96", 120"		MSRP	EXOTIC	9" Tall	LENGTHS: 96"		MSRP	EXOTIC	12" Tall	LENGTHS: 96"		MSRP	EXOTIC
	SVAL6X96__	SVAL6X120__				SVAL9X96__	SVAL12X96__							
			348	514				429	NA				667	NA
			585	NA										

Arched Toekick Valance

- Lengths: from 15" min. to 96" max.
- 3/4" edge-glued solid wood
- Edge detail applied to top edge
- Finished one face and two long edges
- Radius of arc depends on valance length (36" shown)
- Loose only



HOW TO ORDER

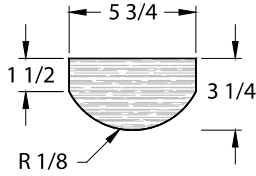
Valance +	Length (1" increments)	Edge Detail
TKVAL	36	B

	MSRP (per lineal inch)	Minimum MSRP	Maximum MSRP
TKVAL	5.09	144	407

Accessories - French Toekick Valances, Brackets & Feet

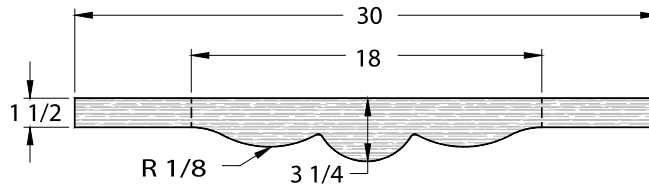
French Toekick Valances

- 3/4" edge-glued solid wood
- Finished one face and two long edges
- Not available in Sapele
- Loose only



Toekick Insert Radius

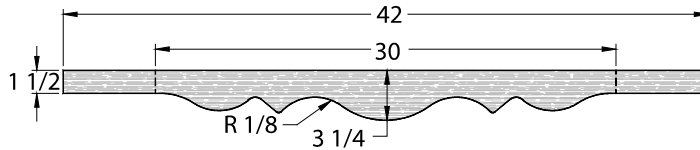
	MSRP
TKI-RAD	119



French Short

	MSRP
TKV-FS	237

Trim from 18" to 30"



French Long

	MSRP
TKV-FL	305

Trim from 30" to 42"

Toekick Brackets

- 3/4" thick edge-glued solid wood
- Finished all sides
- Top and detailed edges have 1/8" radius
- May be trimmed to fit application
- Loose only

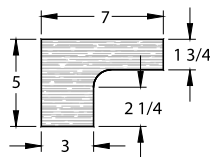
- Brackets come in pairs (one left and one right)

Contemporary	MSRP
TKB-CONT	195

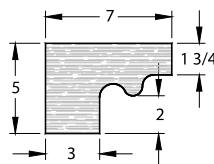
Colonial	MSRP
TKB-COL	195

Southwest	MSRP
TKB-SW	195

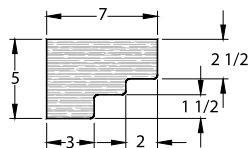
Contemporary



Colonial



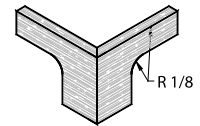
Southwest



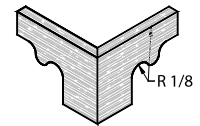
Toekick Corner Brackets

- See Toekick Bracket notes at left
- Corner brackets come assembled
- Each corner bracket covers one corner
- 5" H x 7" W x 7" D

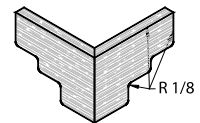
Contemporary



Colonial



Southwest



Contemporary	MSRP
TKCB-CONT	280

Colonial	MSRP
TKCB-COL	280

Southwest	MSRP
TKCB-SW	280

Accessories - Feet & Corner Posts

Feet

- Species up-charges apply
- Not available in Alder, Beech, Hickory or Sapele
- Feet include dowel screw that is threaded for wood
- When used to support cabinet, additional blocking is required
- Height may be trimmed from most feet
- Ordered individually
- Loose only



Bun
SM or LG
SM: 2-1/4" H x 3-1/2" dia.
LG: 3" H x 5" dia.

	MSRP
FOOT-SBUN	141
FOOT-LBUN	185



Colonial
5" H x 3-1/2" dia.

	MSRP
FOOT-COL	210



Early American
5" H x 4" dia.

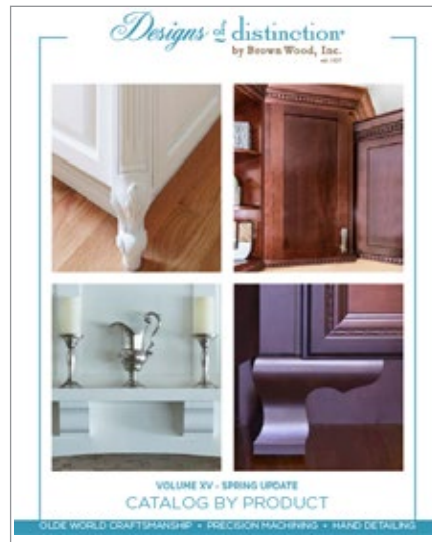
	MSRP
FOOT-EA	219

Dowel Screw Pack



Includes four
5/16" x 2-1/2"
dowel screws

	MSRP
DSP	34



Visit CC Business to see the full Brown Wood Inc. accessories offering.
<https://www.canyoncreek.com/cc-business/brown-wood-inc-catalogs/>

Detail

Detail

Detail

Accessories - Corbels & Legs



Visit CC Business to see the full Brown Wood Inc. accessories offering.
<https://www.canyoncreek.com/cc-business/brown-wood-inc-catalogs/>

Accessories - Columns



Visit CC Business to see the full Brown Wood Inc. accessories offering.
<https://www.canyoncreek.com/cc-business/brown-wood-inc-catalogs/>

Accessories - Custom Columns



Visit CC Business to see the full Brown Wood Inc. accessories offering.
<https://www.canyoncreek.com/cc-business/brown-wood-inc-catalogs/>

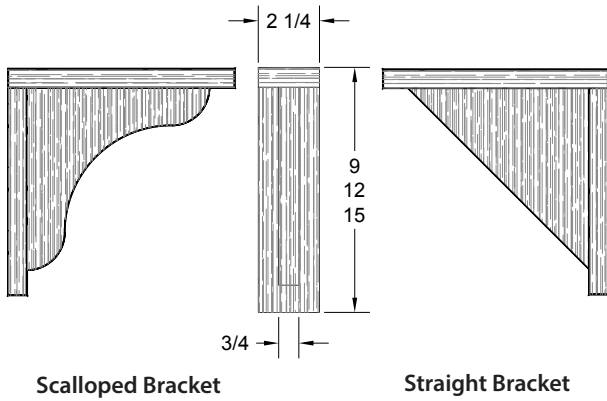
Accessories - Acanthus & Weaved Collections



Visit CC Business to see the full Brown Wood Inc. accessories offering.
<https://www.canyoncreek.com/cc-business/brown-wood-inc-catalogs/>

Accessories - Brackets, Legs & Plinth Blocks

Brackets



Scalloped Bracket

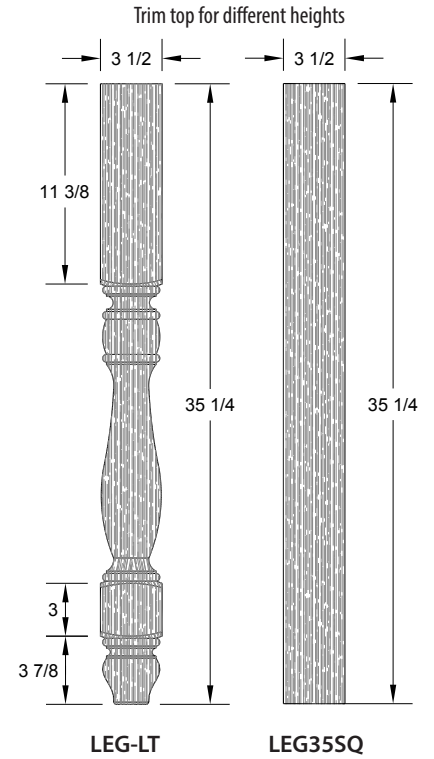
Straight Bracket

	MSRP
BRACK9-S	212
BRACK12-S	251
BRACK15-S	314

	MSRP
BRACK9	131
BRACK12	170

Legs

- LEG-LT
- LEG35SQ - Edge-glued solid wood with eased edges
- **Not available:** Bamboo, Black Walnut, Exotics, Rift White Oak, Sapele or VG Fir



LEG-LT

LEG35SQ

	MSRP
LEG-LT	940
LEG35SQ	580

Leg Attachment Brackets

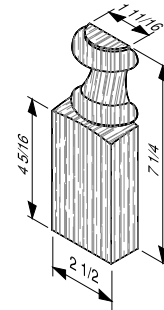
- Includes four 2-7/8" x 4-5/8" corner brackets with hanger bolts, nuts and washers
- Legs and apron pieces require field modification
- Follow directions provided for preparation and assembly



	MSRP
LAB	85

Half Spool & Base

- 1-1/8" thick
- **Not available:** Alder or Sapele

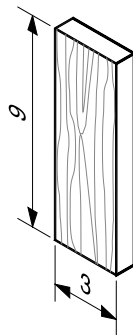
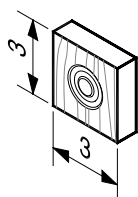
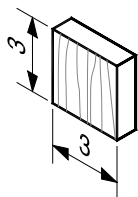


	MSRP
HSB	141

Plinth Blocks

- Blocks are 7/8" thick
- 1/8" eased front edge on all four sides
- Shipped loose
- **Not available:** Sapele

- Examples (right) show application ideas

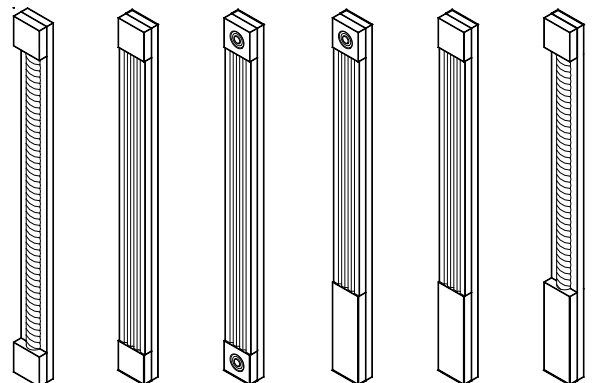


	MSRP
PB3X3	76

	MSRP
PB3X3R	110

	MSRP
PB3X9	127

Examples for using Plinth Blocks, Fluted Fillers, Standard Fillers, and RML96



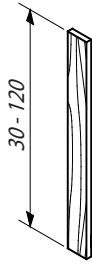
Accessories - Fillers & Plant-ons

Standard Fillers

No modifications allowed

Wood door styles

- Fillers are solid wood
- If wider than 3" may be edge-glued solid wood
- Finished one face and two long edges



Acrylic, Foil, Greenlam, HPL, LPL, TSS, Thermofoil and Wood Veneer door styles

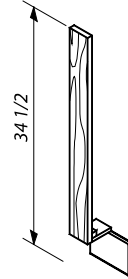
- Substrate is particleboard
(at our discretion, we may substitute w/plywood)
- Finished one face, top and bottom

3" W	STD MSRP	EXOTIC WOOD
SF330	76	81
SF333	81	139
SF336	85	97
SF339	92	103
SF342	97	114
SF360	129	161
SF396	229	256
SF3120	321	NA
SFB3	85	81
SFM3	85	71
SFV3	76	66

6" W	STD MSRP	EXOTIC WOOD
SF630	102	161
SF633	107	176
SF636	112	193
SF639	120	209
SF642	129	224
SF660	195	321
SF696	315	514
-	-	-
SFB6	110	161
SFM6	110	146
SFV6	102	132

Base Square Corner Filler

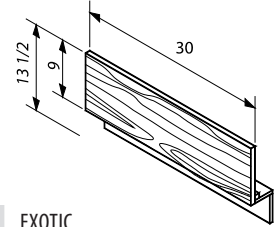
- Shipped with loose Toekick



	STD MSRP	EXOTIC WOOD
BSCF3	105	81

Under Range Panel

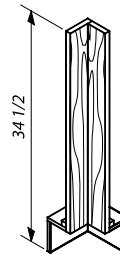
- See Standard Fillers notes



	STD MSRP	EXOTIC WOOD
URP30	85	241
URP30-PLY	102	-

Base Corner Filler

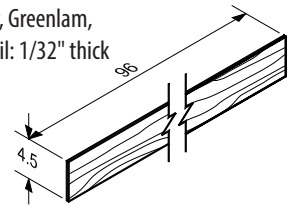
- Shipped assembled
- Inside dimension is 3" x 3"



	STD MSRP	EXOTIC WOOD
BCF3X3	158	181

Toeboard Front

- Wood: 1/4" thick
- Exotic Wood Veneer, Greenlam, HPL, LPL, Thermofoil: 1/32" thick
- Acrylic, Foil, TSS: 1/32" or 3/4" thick
- 3/4" edge band on two short edges
- Loose only



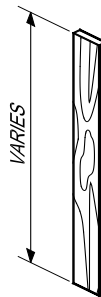
	STD MSRP	EXOTIC WOOD	ACRYLIC, FOIL, & TSS
TBF96	49	171	49
TBF96-34	-	-	96

Scribe Filler Plant-ons

- Use Standard Filler as a backer
- Outside edge detail matches door edge all four sides
- Filler face matches door
- **Not available:** Greenlam

WALL & TALL CABINETS

3" W	MSRP	6" W	MSRP
SFPO312	68	SFPO612	92
SFPO315	83	SFPO615	112
SFPO318	97	SFPO618	131
SFPO321	112	SFPO621	151
SFPO324	126	SFPO624	170
SFPO327	141	SFPO627	190
SFPO330	154	SFPO630	209
SFPO333	161	SFPO633	219
SFPO336	170	SFPO636	229
SFPO339	178	SFPO639	239
SFPO342	185	SFPO642	249
SFPO345	192	SFPO645	259
SFPO348	198	SFPO648	268
SFPO351	207	SFPO651	278
SFPO354	214	SFPO654	288
SFPO357	220	SFPO657	298
SFPO360	227	SFPO660	307
SFPO384	243	SFPO684	327
SFPO387	249	SFPO687	338
SFPO390	256	SFPO690	346
SFPO393	265	SFPO693	356
SFPO396	271	SFPO696	366



Actual size is 1/8" narrower than Scribe Filler and 1/4" shorter than cabinet box (Less Toekick)

BASE & VANITY CABINETS

3" W	MSRP
SFPO3B	119
SFPO3M	115
SFPO3V	112
6" W	
SFPO6B	144
SFPO6M	141
SFPO6V	137

Plant-on Fillers (Greenlam)

- Available 4" wide and offered for Greenlam door program only
- Regular fillers are available using standard nomenclature
- Side-wrap edges, edge tape and surface material matches the door
- Filler height is equal to cabinet height, less top and bottom reveal and less Toekick (if applicable)

WALL CABINETS

4" W	MSRP
POF4W12	170
POF4W15	170
POF4W18	170
POF4W21	170
POF4W24	170
POF4W27	170
POF4W30	170
POF4W36	170
POF4W42	197
POF4W48	226
POF4W54	253
POF4W60	282



TALL CABINETS

4" W	MSRP
POF4T72	319
POF4T78	338
POF4T84	375
POF4T90	402
POF4T96	431

BASE & VANITY CABINETS

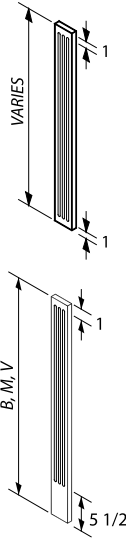
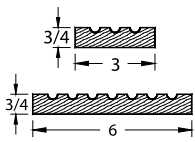
4" W	MSRP
POF4B	170
POF4M	170
POF4V	170

Accessories - Fluted Filler & End Panels

Fluted Filler

- Available 3" or 6" wide
- Fillers wider than 3" may be edge-glued solid wood
- Finished one face and two long edges
- Base, Vanity, Mid and Tall fillers may be trimmed for Toekick
- No modifications

Cross Sections

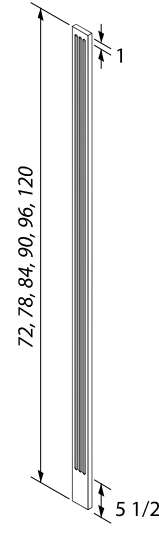


3" W	MSRP
WFF330	119
WFF333	124
WFF336	127
WFF339	136
WFF342	144
WFF345	153
WFF348	161
WFF351	166
WFF354	170
WFF357	175
WFF360	178

3" W	MSRP
BFF3	119
MFF3	119
VFF3	119

6" W	MSRP
WFF630	170
WFF633	178
WFF636	187
WFF639	200
WFF642	212
WFF645	226
WFF648	237
WFF651	246
WFF654	254
WFF657	263
WFF660	271

6" W	MSRP
BFF6	170
MFF6	170
VFF6	170

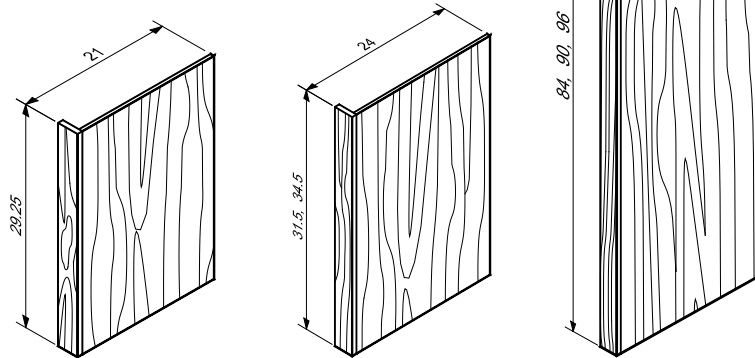


3" W	MSRP
TFF372	288
TFF378	322
TFF384	356
TFF387	373
TFF390	390
TFF393	407
TFF396	424
TFF3120	551

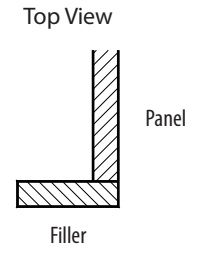
6" W	MSRP
TFF672	492
TFF678	526
TFF684	560
TFF687	577
TFF690	594
TFF693	611
TFF696	628

End Panels

- Filler face mounted on 3/4" thick panel with tongue & groove flush end joint
- 1-1/2", 3", or 6" W fillers available
- Reversible
- If required, Toekick notch must be cut at jobsite
- Filler faces wider than 3" may be edge-glued solid wood
- Filler face for LPL, HPL, Foil, Thermofoil and Wood Veneer door styles will have PBD substrate
- Clear Veneer is provided with all Rustic species
- Alder & Vertical Grain Fir available in PLY only
- To order plywood substrate add -PLY to end of nomenclature (Example: VEP1.5-PLY)



Modification Limits	
RHA	Reduce H to min. 12"
RDA	Reduce D to min. 9"
IDA	Increase D to max. 30"
IHA, RWA, IWA	Not available



21" D END PANELS	PBD		-PLY	
	STD	MSRP	EXOTIC-WD	MSRP
Vanity H				
VEP1.5	171	193	280	332
VEP3	188	210	298	356
VEP6	214	236	336	400

24" D END PANELS	PBD		-PLY	
	STD	MSRP	EXOTIC-WD	MSRP
Mid H				
MEP1.5	215	246	300	360
MEP3	232	263	321	383
MEP6	259	290	361	431
Base H				
BEP1.5	215	246	329	393
BEP3	232	263	351	419
BEP6	259	290	395	471

27" D END PANELS	PBD		-PLY	
	STD	MSRP	EXOTIC-WD	MSRP
84" H				
TEP1.584	611	702	911	1085
TEP384	687	778	963	1148
TEP684	773	865	1070	1275
87" or 90" H				
TEP1.5(H)	611	702	975	1162
TEP3(H)	687	778	1033	1231
TEP6(H)	773	865	1033	1231
93" or 96" H				
TEP1.5(H)	611	702	975	1162
TEP3(H)	687	778	1033	1231
TEP6(H)	773	865	1033	1231
120" H				
TEP1.5120	-	1316	-	-
TEP3120	-	1460	-	-

Accessories - Pre-sized 3/4" Panels

General information

Species and Color

- Coordinates with door species and color
- Thermofoil orders:
 - LPL provided for White particleboard
 - HPL provided for Crème particleboard
 - HPL provided for White & Crème plywood

Substrate Material

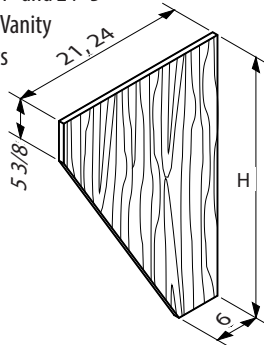
- Particleboard substrate is standard
- Alder & VG Fir panels available with plywood substrate only
- For plywood substrate add -PLY to end of nomenclature (Ex: 34FP22V-PLY)

Size Modifications

- Not allowed
- For non-standard sizes order 3/4" Custom Size Panel

3/4" Finished Panels Tapered

- Finished two faces, tapered and 5-3/8" vertical edges
- Pre-sized for 21" and 24" D Base, Mid and Vanity height cabinets

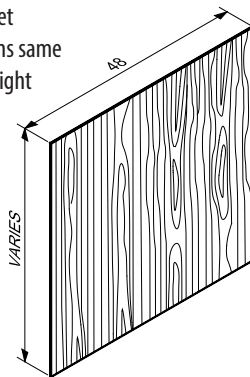


3/4" FINISHED PANEL TAPERED

		PBD	PLY	PBD	PLY
21" D		STD MSRP		EXOTIC WOOD MSRP	
34FPT21B	Base Height	136	163	646	700
34FPT21M	Mid Height	124	149	589	639
34FPT21V	Vanity Hght	117	141	548	595
24" D		STD MSRP		EXOTIC WOOD MSRP	
34FPT24B	Base Height	154	185	738	802
34FPT24M	Mid Height	148	178	673	733
34FPT24V	Vanity Hght	141	148	626	680

3/4" Finished Back Panel

- Finished one face, edge-taped both vertical edges
- 48" wide and height matches cabinet
- Wood grain runs same direction as height

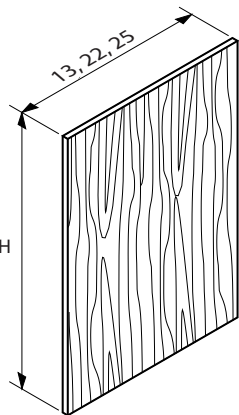


3/4" FINISHED BACK PANEL

		PBD	PLY	PBD	PLY
48" W		STD MSRP		EXOTIC WOOD MSRP	
34FP48B	Base Height	297	356	1477	1603
34FP4824	24" H	204	244	1028	1116
34FP4830	30" H	254	305	1284	1394
34FP4836	36" H	305	366	1540	1672
34FP4842	42" H	356	427	1798	1952

3/4" Finished Panels

- Finished two faces and one long edge
- Pre-sized for 12", 21" and 24" D cabinets



PRE-SIZED 3/4" FINISHED PANEL

		PBD	PLY	PBD	PLY
13" D		STD MSRP		EXOTIC WOOD MSRP	
34FP13B	Base Height	81	97	399	434
34FP13M	Mid Height	75	88	365	395
34FP13V	Vanity Hght.	70	83	339	368
34FP1312	12" H	27	34	139	151
34FP1315	15" H	34	41	173	188
34FP1318	18" H	41	49	209	227
34FP1321	21" H	47	58	244	265
34FP1324	24" H	56	66	278	302
34FP1327	27" H	63	75	314	341
34FP1330	30" H	70	83	348	378
34FP1336	36" H	83	100	417	453
34FP1342	42" H	97	115	487	529
34FP1348	48" H	110	132	556	604
34FP1354	54" H	124	149	626	680
34FP1360	60" H	137	166	695	756
34FP1384	84" H	193	232	974	1057
34FP1390	90" H	207	248	1043	1133
34FP1396	96" H	220	265	1113	1209

PRE-SIZED 3/4" FINISHED PANEL

		PBD	PLY	PBD	PLY
22" D		STD MSRP		EXOTIC WOOD MSRP	
34FP22B	Base Height	136	163	677	734
34FP22M	Mid Height	124	149	617	670
34FP22V	Vanity Hght.	117	141	573	622
34FP2248	48" H	187	224	941	1023
34FP2254	54" H	210	253	1060	1150
34FP2260	60" H	234	280	1177	1279
34FP2284	84" H	327	392	1647	1789
34FP2290	90" H	349	421	1766	1916
34FP2296	96" H	373	478	1884	2045
25" D		STD MSRP		EXOTIC WOOD MSRP	
34FP25B	Base Height	154	185	768	834
34FP25M	Mid Height	142	171	702	763
34FP25V	Vanity Hght.	132	159	653	709
34FP2548	48" H	212	254	1070	1162
34FP2554	54" H	237	287	1204	1308
34FP2560	60" H	265	319	1338	1453
34FP2584	84" H	371	446	1872	2032
34FP2590	90" H	397	477	2006	2179
34FP2596	96" H	424	509	2140	2324

Accessories - Pre-sized 3/4" Panels, Countertop Material & Edge Tape

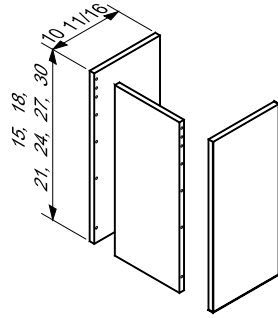
Modification Limits (HVCI & HVCO)	
IWA	Increase W to max. 48"
IDA	Increase D to max. 24"

Hood Vent Covers

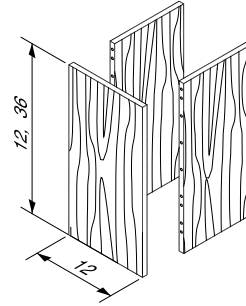
- Sides and front are doweled
- Shipped un-assembled
- For non-standard sizes order 3/4" Custom Size Panel

Substrate Material

- Particleboard substrate is standard
- Alder & VG Fir available with plywood substrate only
- To order plywood substrate add -PLY to end of nomenclature (Ex: 34FP22V-PLY)



- Overall width is 12" W
- Ends have edge tape on vertical edges
- Callout is cabinet height
- Front fits between sides
- Matches global interior selection



- Face is 12" W
- Callout is actual height
- Overall depth is 12"
- Vertical edges of front are banded
- **Not available:** Sapele

INSIDE		PBD	PLY
12" W		MSRP	
HVCI15	15" H	70	93
HVCI18	18" H	73	100
HVCI21	21" H	86	109
HVCI24	24" H	98	132
HVCI27	27" H	107	144
HVCI30	30" H	115	156

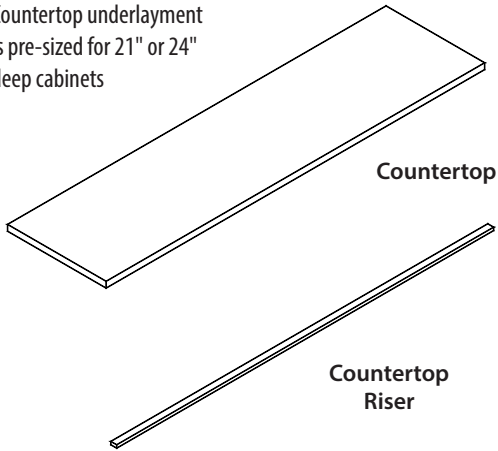
Species and Color

- Matches door species and color
- Painted wood veneer with edge tape provided for Thermofoil orders

OUTSIDE		PBD	PLY	PBD	PLY
12" W		STD	MSRP	EXOTIC-WD	MSRP
HVCO12	12" H	126	146	385	419
HVCO36	36" H	249	297	1155	1255

Raw 3/4" Countertop Materials

- Countertop underlayment is pre-sized for 21" or 24" deep cabinets



		PBD	PLY
COUNTERTOP	ACTUAL SIZE	MSRP	
34CT2296	22" D x 96" L	76	115
34CT2596	25" D x 96" L	81	120
34CT3696	36" D x 96" L	136	229
34CT4896	48" D x 96" L	176	239
RISER MATERIAL			
34RISER-FIN	3/4" x 2-1/2" x 96" B1E	31	-
34RISER-PLY	3/4" x 1-1/2" x 96" Raw	-	15
34RISER-FIN-PLY	3/4" x 2-1/2" x 96" B1E	-	34

Edge Tape (Loose)

- Edge tape is 15/16" wide
- Comes in a roll (8' length/each)
- Available in all species and in PVC in all laminate colors
- Loose edge tape is not pre-glued

Loose Edge Tape		MSRP (roll)
ETL-RAW	Unfinished Wood	68
ETL-FIN	Finished Wood	136
ETL-LAM	PVC (for Laminates)	51

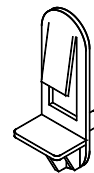
Adjustable Shelf Clip

- Clear plastic, locking clips (SC-P) or Nickel "L" shaped clips (SC-N)
- Both shelf clips fit in standard 5mm (13/64") diameter system holes

Plastic Clips

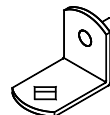
20 per bag	MSRP
SC-P	17

For 3/4" Shelf



Nickel Clips

5 per bag	MSRP
SC-N	5



Accessories - Wood Tops

Wood Tops

- 3/4" plywood (or plycore) with wood veneer face
- Offered with all standard stains, gloss levels and finish enhancements
- **Not available:** Exotic species, Foil, Greenlam, LPL, HPL, Thermofoil or TSS materials

- All styles of (configured) wood tops are rectangular. Use an SPR (Special Product Request) to request any other shape.
- Nomenclature for each style indicates placement of finished edges

Depth & Width

- Specify overall **depth** from front to back (across the grain) in 1/4" increments
- Add 1" to cabinet depth if front edge is finished, and another inch if back edge is finished (1/4" overhang + 3/4" thickness of finished edge for each finished edge)
- Min. D: 9" | Max. D: 48"
- Specify overall **width** from left to right (with the grain) in 1/4" increments
- Add 1" to length of cabinets for each finished side (1/4" overhang + 3/4" thickness of finished edge)
- Add additional 3/8" for each finished side when Finished Furniture Ends are used
- Min. W: 12" | Max. W: 120"
 - Max. W: 95" for Bamboo and Carbonized Bamboo
- For widths over 96", plycore material will be used and a 50% premium (per square foot) will be applied to MSRP

Pricing

- Prices are per square foot
- Specify width and length in 1/4" increments
- Round up to next square foot for pricing purposes

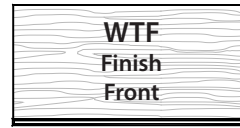
Finished Edges

- 3/4" x 1-1/2" solid wood and joined to plywood (or plycore) prior to finishing
- Select an edge detail with a small top radius when butting or joining multiple tops (joints will be tighter and work surface smoother)
- Build-up to fill space between bottom of self-edge and bottom of wood top is **not** provided

Clipped Corners

- Corners may be clipped at 45° angle to accommodate a 3" x 3" angled filler or cabinet clip, or a 6" x 6" angled filler
- Clipped corners may only be specified when the two adjoining sides are finished
- Specify location (FL, FR, BL, BR) and size (3" or 6") of clip for each corner desired

HOW TO ORDER						
Style	"-"	Edge Detail	Depth	Width	"X"	Clipped Corner
+	+	+	+	+	+	
WTFLR	-	B	28-1/2	50	X	FL3, FR3



MSRP (sq. ft.)	
WTF	61



MSRP (sq. ft.)	
WTFL	75



MSRP (sq. ft.)	
WTFR	75



MSRP (sq. ft.)	
WTFLR	88



MSRP (sq. ft.)	
WTFB	81



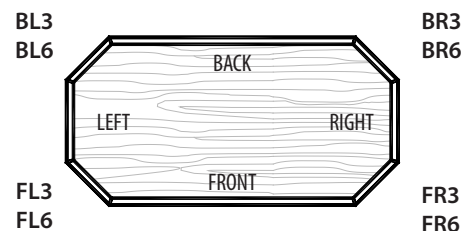
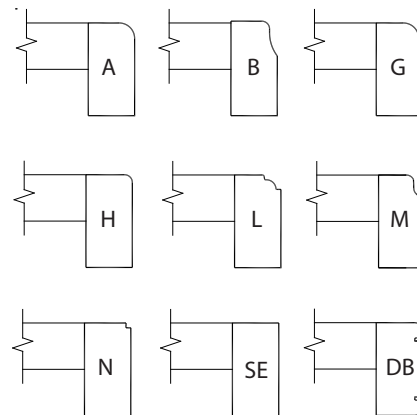
MSRP (sq. ft.)	
WTFBL	95



MSRP (sq. ft.)	
WTFBR	95



MSRP (sq. ft.)	
WTFBLR	115



MSRP (per clip)	
Clipped Corner	229

Accessories - Columns

Standard Columns

- Column face and ends follow door species and color selection
- Box is hollow without top or bottom
- Filler faces wider than 3" may be edge-glued solid wood
- 3" fluted faces have three flutes; 6" fluted faces have seven flutes
- If required, Toekick notch must be cut in field
- Specify H in 1/4" increments x D in 1" increments
- Over 96" H: 50% premium (per square inch) will be applied to MSRP
- **Not available:** Exotic species, Acrylic, Foil, Super Matte, Greenlam, LPL, HPL, Thermofoil or TSS materials

PRICING NOTE

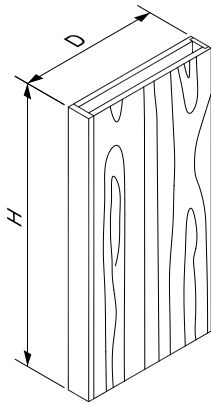
Column Min.	\$288 MSRP ea.
Column Max.	\$1238 MSRP ea.
Max. over 96" H	\$1857 MSRP ea.
Price is per square inch (H x D)	

Size Limits

Width	3" or 6" only
Height (3" W)	12" - 120"
Height (6" W)	12" - 96"
Depth	6" - 27"

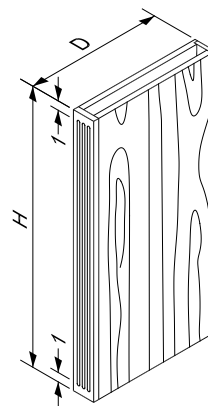
HOW TO ORDER

Style +	Height +	Depth
FC3	30	13

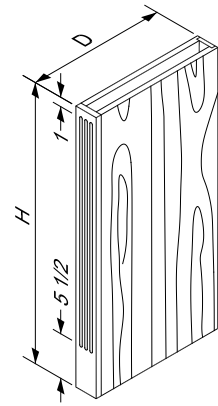


Standard

- Reversible, except when FTK is applied



Fluted Reversible



Fluted w/FTK

Standard		MSRP	Standard w/FTK		MSRP	Fluted		MSRP	Fluted w/FTK		MSRP
C3	3" W	0.61	C3FTK	3" W	0.61	FC3	3" W	0.63	FC3FTK	3" W	0.63
C6	6" W	0.66	C6FTK	6" W	0.66	FC6	6" W	0.68	FC6FTK	6" W	0.68

Angled Columns

- Column face and ends follow door species and color selection
- Box is hollow without top or bottom
- Face of 45° angled filler is 4-1/4" w/three flutes (when applicable)
- May be edge-glued solid wood
- If required, Toekick notch must be cut in field
- Specify H in 1/4" increments x D in 1" increments
- **Not available:** Exotic species, Acrylic, Foil, Greenlam, LPL, HPL, Super Matte, Thermofoil or TSS materials

PRICING NOTE

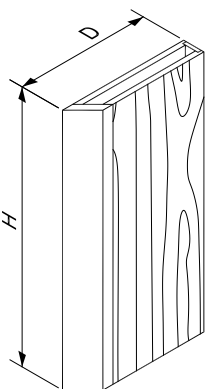
Column Min.	\$288 MSRP ea.
Column Max.	\$1238 MSRP ea.
Price is per square inch (H x D)	

Size Limits

Width	3"
Height	12" - 96"
Depth	6" - 27"

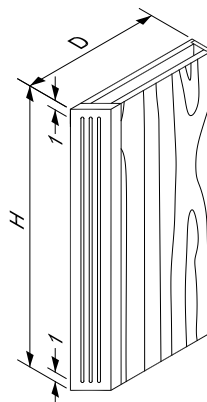
HOW TO ORDER

Style +	Height +	Depth
AFC3FTK R	34.5	25

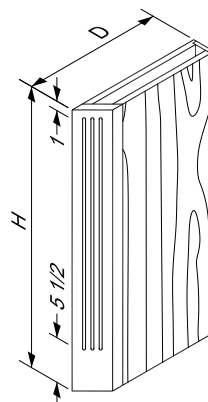


Standard

- Reversible, except when FTK is applied



Fluted Reversible



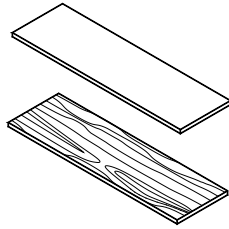
Fluted w/FTK
* Right Shown

Angle Standard		MSRP	Angle Fluted		MSRP	Angle Fluted w/FTK		MSRP
AC3	3" W	0.71	AFC3	3" W	0.73	AFC3FTK*	3" W w/FTK	0.73
AC3FTK	3" W w/FTK	0.71	* Specify R or L					

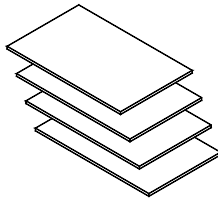
Accessories - Loose Shelves

Adjustable Shelf

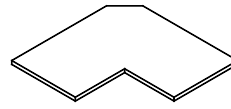
- Includes one 3/4" thick adjustable shelf, finished both faces and one long edge
- Order shelf clips separately
- Alder-FMI & VG Fir-FMI avail. with PLY substrate only



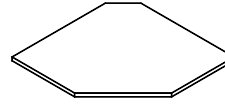
Adjustable Shelf (AS)



Utility Shelf Kit (USK)



Wall Corner Cabinet (ASWCC)



Wall Corner Angle (ASWCA)

Utility Shelf Kit

- Includes four 3/4" thick adjustable shelves, finished both faces and one long edge
- Includes clear plastic shelf clips

HOW TO ORDER

Style +	Cab W +	Cab D +	Substrate +	"-" +	Face Material	"-" +	Modifier
AS	42	12	PBD	-	FMI	-	D

Modification Limits (to cabinet depth)

RDA	Reduce D to min. 6"
IDA	Increase D to max. 30"
RWA, IWA	Not available
RHA, IHA	Not available

Selection Options

Substrate	(PBD) Particleboard
	(PLY) Plywood
Face Material	(V) Matches order header interior selection
	(FMI) Matches order header door species
Thermofoil FMI is Painted wood Veneer	

Shelf Modifier – use if cabinet has options listed below

D Double-Entry

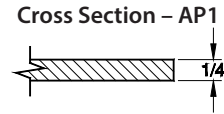
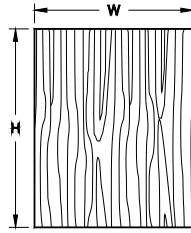
LOOSE SHELVES		PBD-V	PLY-V	PBD-FMI	PLY-FMI	PBD-FMI	PLY-FMI
ADJ. SHELVES	12" D	STD - MSRP		EXOTIC-WD MSRP			
AS09X12	9" W	22	44	53	71	97	105
AS12X12	12" W	24	47	58	76	129	139
AS15X12	15" W	25	51	61	81	161	175
AS18X12	18" W	27	54	64	86	193	209
AS21X12	21" W	29	58	70	92	224	244
AS24X12	24" W	31	61	73	97	256	278
AS27X12	27" W	32	64	78	103	288	314
AS30X12	30" W	34	68	81	109	321	349
AS33X12	33" W	36	71	85	114	353	383
AS36X12	36" W	37	75	90	119	385	419
AS39X12	39" W	39	78	93	126	417	453
AS42X12	42" W	41	81	98	131	449	488
ADJ. SHELVES	21" D						
AS09X21	9" W	27	54	64	86	168	183
AS12X21	12" W	31	61	73	98	224	244
AS15X21	15" W	34	68	81	109	282	305
AS18X21	18" W	37	75	90	119	338	366
AS21X21	21" W	42	85	102	136	393	427
AS24X21	24" W	46	92	110	146	449	488
AS27X21	27" W	49	98	119	158	505	550
AS30X21	30" W	54	109	131	173	563	611
AS33X21	33" W	58	115	139	185	617	670
AS36X21	36" W	63	126	151	200	673	733
AS39X21	39" W	68	136	163	217	731	794
AS42X21	42" W	73	146	175	234	787	855
ADJ. SHELVES	24" D						
AS09X24	9" W	31	59	71	95	193	209
AS12X24	12" W	34	68	81	107	256	278
AS15X24	15" W	37	75	90	119	321	349
AS18X24	18" W	41	81	98	131	385	419
AS21X24	21" W	44	93	112	149	449	488
AS24X24	24" W	47	100	120	161	513	558
AS27X24	27" W	51	109	131	173	578	628
AS30X24	30" W	54	119	142	192	643	697
AS33X24	33" W	59	127	153	204	706	767
AS36X24	36" W	63	137	166	220	770	836
AS39X24	39" W	75	149	180	239	834	906
AS42X24	42" W	80	161	193	256	899	975

LOOSE SHELVES		PBD-V	PLY-V	PBD-FMI	PLY-FMI	PBD-FMI	PLY-FMI
ADJ. SHELVES	WCC	STD - MSRP		EXOTIC-WD MSRP			
ASWCC2412	24" x 12"	85	119	136	170	514	558
ADJ. SHELVES	WCA						
ASWCA2412	24" x 12"	85	119	136	170	514	558
ASWCA2715	27" x 15"	102	144	161	195	650	706
UTILITY SHELF KITS	12" D						
USK15X12	15" W	119	220	268	349	643	697
USK18X12	18" W	126	234	282	370	770	836
USK21X12	21" W	132	248	302	390	899	975
USK24X12	24" W	139	261	315	417	1028	1116
USK27X12	27" W	146	275	336	438	1155	1255
USK30X12	30" W	153	288	349	458	1284	1394
USK33X12	33" W	159	302	363	478	1413	1533
USK36X12	36" W	166	315	383	499	1540	1672
UTILITY SHELF KITS	21" D						
USK15X21	15" W	153	288	349	458	1124	1221
USK18X21	18" W	166	315	383	499	1350	1467
USK21X21	21" W	187	356	431	566	1572	1706
USK24X21	24" W	200	383	465	607	1798	1952
USK27X21	27" W	214	410	499	655	2023	2196
USK30X21	30" W	234	451	546	716	2249	2442
USK33X21	33" W	248	478	580	763	2471	2683
USK36X21	36" W	268	519	628	824	2697	2927
UTILITY SHELF KITS	24" D						
USK15X24	15" W	166	315	383	499	1284	1394
USK18X24	18" W	181	346	417	546	1540	1672
USK21X24	21" W	204	390	471	621	1798	1952
USK24X24	24" W	219	421	505	668	2054	2230
USK27X24	27" W	234	449	546	716	2312	2510
USK30X24	30" W	256	495	594	790	2568	2788
USK33X24	33" W	271	524	634	838	2824	3066
USK36X24	36" W	293	570	689	906	3082	3346

Accessories - Appliance Panels (AP1, AP2 & APDR)

Appliance Panel #1: 1/4" Panel

- (AP1) 1/4" thick woodgrain veneer with MDF substrate or White paint with melamine topcoat on 1/4" MDF
- Thermofoil orders will receive panels with White or Crème paint
- Available only in White and Crème for LPL and HPL orders
- WIDTH: Max. 48" | HEIGHT: Max. 96"
- **Not available:** Acrylic, Foil, Super Matte, Exotic Wood Veneer, Greenlam, LPL, HPL and TSS

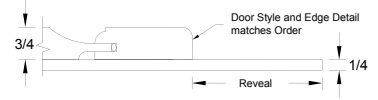
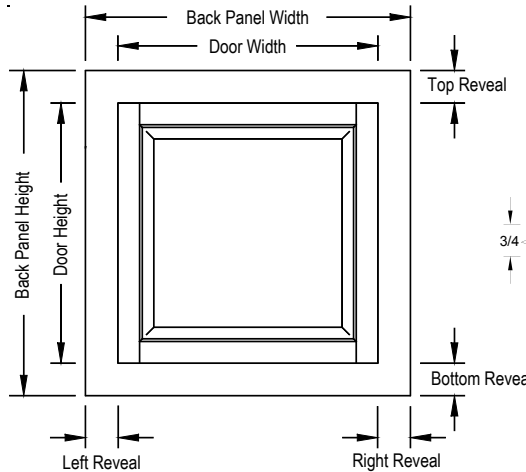


HOW TO ORDER		
Style +	Width +	Height
API	36.5	60

• For pricing details, see chart at bottom of page

Appliance Panel #2: Door Mounted on 1/4" Back Panel

- (AP2) Available with standard or custom reveals
- Standard reveals: door is centered on back panel with 3" reveals on all sides (panel must be trimmed onsite to change reveals)
- **Custom reveals: (AP2) Appliance Panel Form is required** (see Forms section)
- Choose vertical (VV) or horizontal (HH) grain
- Door styling and edge detail matches order header
- Thermofoil orders: back panel will be painted with compatible White or Crème colors
- LPL and HPL orders: AP2s available only in White or Crème
- Size limits and panel configuration are based on door style construction, size and grain direction selected (min. and max. noted below)
- **Not available:** Acrylic, Foil, Super Matte, Exotic Wood Veneer, Greenlam, LPL, HPL and TSS

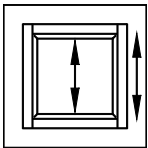


Appliance Panel Door: Door only

- (APDR) refer to individual door style pages for size limits and specifications (General section)

AP2VV

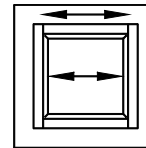
- WIDTH: Min. 10"
- WIDTH: Max. 36"
- Solid wood Slab styles: 35"
- M&T and Applied Moulding styles: center mullion when wider than 27"
- Max. width for Roman door styles: 27"



- HEIGHT: Min. is same as DFMD drawer front
- Panels below 10" tall: built as DFMD drawer fronts
- HEIGHT: Max. 73"
- M&T and Applied Moulding styles: center rail and two equal panels when taller than 52"
- Solid Wood Slab styles over 49-3/4": two equal doors with edge detail on all sides, butted together
- Mitered frame panel styles: single raised or recessed panel, regardless of size

AP2HH

- **Not available:** Roman door styles
- WIDTH: Min. 10" | Max. 48"
- HEIGHT: Min. is same as DFMD drawer front
- Panels below 10" tall will be built as DFMD drawer fronts
- HEIGHT: Max. 27"



HOW TO ORDER					
Style +	Grain Direction +	Custom or Standard Reveals +	Door Width (1/16" increments) +	"x" +	Door Height (1/16" increments)
AP2	VV	S	24	x	42
APDR	Specify: square or Roman arched top		24	x	42

PRICING NOTE
Price is MSRP per square inch (W x H)
1. Round fractions to next whole number
2. Multiply results by square inch price
Add \$254 MSRP for AP2 w/Custom Reveals

APPLIANCE PANELS		M1	M2	M3	M3A	M4	M4A	M5	M5A	M6	M6A	M7	M8	M9	M10	M11	M11A	M13	M15	M16
AP1	1/4" Flush Panel	0.10	0.10	0.10	0.10	0.10	0.10	0.10	0.10	0.10	0.10	0.10	0.10	0.10	0.10	0.10	0.10	0.10	0.10	0.10
AP2	Door on 1/4" Panel w/Standard Reveals	0.66	0.78	0.78	0.85	0.81	0.88	0.97	1.05	1.03	1.12	1.03	1.03	1.12	1.19	1.12	1.20	1.31	1.56	1.39
APDR	Door only (no back panel)	0.37	0.49	0.49	0.56	0.53	0.59	0.68	0.76	0.75	0.83	0.75	0.75	0.83	0.90	0.83	0.92	1.02	1.27	1.10

Accessories - Full Sheet & Custom Size Finished Panels

Finished Panels: Full Sheet & Custom Size

- **Wood Veneer Species:** All species except for Rustic Alder, Rustic Beech, Rustic Hickory and Rustic Maple
Any exceptions will be listed on ordering/price chart (next page)
- **Grey Melamine:** panels available in 3/4" thickness on particleboard substrate
 - Will have melamine on both faces
 - Edge tape will coordinate with surface of panel (closest matches are Wilsonart D381-60 Fashion Grey and 1595-60 Black)
- **LPL (White or Almond) Doors:** order Low-Pressure Laminate (LPL)
- **HPL & FOIL Doors:** order High-Pressure Laminate (HPL)
- **Exotic Wood Veneers:** only available 1/32", 1/2" & 3/4" thick
• MSRP differs from standard wood veneer (see next page)
- **Bamboo, Black Walnut, Exotic Wood Veneer, RWO & VG Fir:**
Not available in 3/8" thick
- **WIDTH:** Min. 3" | Max. 48"
HEIGHT: Min. 12" | Max. 96" (unless otherwise noted)
 - Custom panels over 96" H will be PLY substrate F2F only.
Bamboo, Rift White Oak, and Sapele not available over 96" H
- Custom panels (CP): list Width first (cross grain), then Height (same direction as grain)
- Alder, Black Walnut & Sapele require PLY substrate on 1/2" and 3/4" thick panels
- Edge tape selection required on 1/2" and 3/4" panels only (N/A on 1/32", 1/4" & 3/8")
- Note: Min. price per piece is 3 square feet

Edge Tape Instructions

(1/2" and 3/4" panels only)

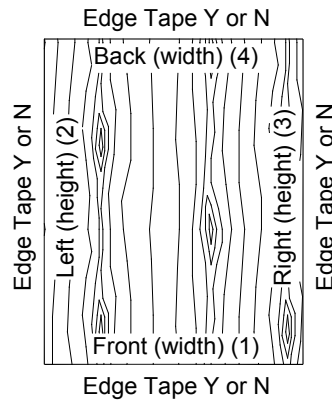
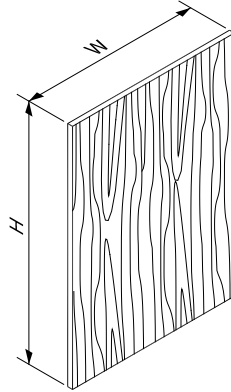
*Specify which edges will receive edge tape

Example:

CP STD 3/4 (W)x(H) HPL PBD F2F NYNY

"NYNY" indicates:

No: Front - Yes: Left - No: Right - Yes: Back



Nomenclature Guide

132	1/32" Thick
14	1/4" Thick
38	3/8" Thick
12	1/2" Thick
34	3/4" Thick
CP	Custom Panel
F1F	Finished front side only
F2F	Finished front and back sides
FMI	Wood Veneer matches door selection
HPL	High-Pressure Laminate
LPL	Low-Pressure Laminate
LPB	Low-Pressure Laminate Black
LPG	Low-Pressure Laminate Grey
MCI	Match Cabinet Interior on order header
MDF	Medium Density Fibre board substrate
PBD	Particleboard substrate
PLY	Plywood or Plycore substrate

OE Code	Edge Tape Location	MSRP
NNNN	No Edges	0
YYYY	All Edges	54
YNNN	Front Only	14
NYNN	Left Only	14
NNYN	Right Only	14
NNNY	Back Only	14
YYNN	Front & Left	27
YNYN	Front & Right	27
YNNY	Front & Back	27
NYYN	Left & Right	27
NYNY	Left & Back	27
NNYY	Right & Back	27
YYYN	Front, Left, Right	41
YNYN	Front, Right, Back	41
YNNY	Front, Left, Back	41
NYYY	Left, Right, Back	41

Pricing on next page >>

Accessories - Full Sheet & Custom Size Finished Panels

Thickness	Substrate	Front of Panel	Back of Panel	Per Sq Ft. MSRP	Max MSRP/ea	Notes	Nomenclature Electronic Catalog (20-20)	Electronic Catalog (20-20) Description - When ordering, modify description to include Width x Height
1/32	Wood	Wood Veneer	Unfinished	21.96	648		CP132FMI	CP 1/32 (W)x(H) Wood Veneer
1/32	Wood	Exotic Wood Veneer	Unfinished	64.77	1715	Exotic Wood Veneer ONLY	CP132FMI	CP 1/32 (W)x(H) Ex Wood Veneer
1/32	HPL	HPL	Unfinished	16.64	477	HPL, FOIL, Greenlam, TSS	CP132HPLY	CP 1/32 (W)x(H) HPL
1/4	MDF	Wood Veneer	Unfinished	14.50	409	Exotic Veneer N/A	CP14FMI	CP 1/4 (W)x(H) Wood Veneer MDF
1/4	MDF	Beaded Wood Veneer	Unfinished	18.55	539	Black Walnut, Exotic Veneer & Sapele N/A	CP14FMIBEADED	CP 1/4 (W)x(H) Beaded Wd Ven MDF
1/4	MDF	White Paint	Unfinished	8.04	202		CP14WHITE	CP 1/4 (W)x(H) Wht Paint MDF
3/8	PLY	Wood Veneer	Unfinished	20.81	611	Alder, Bamboo, Black Walnut, Exotic Wood Veneer & VG Fir N/A	CP38FMIPLYF1F	CP 3/8 (W)x(H) Wood Veneer PLY
3/8	PLY	Alder Wood Veneer	Unfinished	28.58	860		CP38FMIPLYF1F-A	CP 3/8 (W)x(H) Alder Wd Ven PLY
1/2	PLY	Wood Veneer	Unfinished	21.71	653		CP12FMIPLYF1F*	CP 1/2 (W)x(H) Wood Veneer PLY F1F*
1/2	PLY	Exotic Wood Veneer	Unfinished	81.75	2164	Exotic Wood Veneer ONLY	CP12FMIPLYF1F*	CP 1/2 (W)x(H) Ex Wood Veneer PLY F1F*
1/2	PLY	Wood Veneer	Wood Veneer	25.10	762	Exotic Wood Veneer N/A	CP12FMIPLYF2F*	CP 1/2 (W)x(H) Wood Veneer PLY F2F*
1/2	PLY	MCI	MCI	13.47	375		CP12MCIPLYF2F*	CP 1/2 (W)x(H) MCI PLY F2F*
1/2	PBD	Wood Veneer	Unfinished	19.40	565	Alder, Black Walnut & Sapele N/A	CP12FMIPBDF1F*	CP 1/2 (W)x(H) Wood Veneer PBD F1F*
1/2	PBD	Exotic Wood Veneer	Unfinished	81.41	2154	Exotic Wood Veneer ONLY	CP12FMIPBDF1F*	CP 1/2 (W)x(H) Ex Wood Veneer PBD F1F*
1/2	PBD	Wood Veneer	Wood Veneer	22.79	673	Alder, Black Walnut & Sapele N/A	CP12F*MIPBDF2F*	CP 1/2 (W)x(H) Wood Veneer PBD F2F*
1/2	PBD	HPL	White Melamine	23.29	694	HPL, FOIL, Greenlam, TSS	CP12HPPBDF1F	CP 1/2 (W)x(H) HPL PBDF1F*
1/2	PBD	MCI	MCI	9.85	259		CP12MCI PBDF2F*	CP 1/2 (W)x(H) MCI PBD F2F*
3/4	PLY	Wood Veneer	Unfinished	23.54	699		CP34FMIPLYF1F*	CP 3/4 (W)x(H) Wood Veneer PLY F1F*
3/4	PLY	Wood Veneer	Wood Veneer	26.93	807	Max H 120" (over 96" H add 50%)	CP34FMIPLYF2F*	CP 3/4 (W)x(H) Wood Veneer PLY F2F*
3/4	PLY	Exotic Wood Veneer	Unfinished	90.33	2391	Exotic Wood Veneer ONLY	CP34FMIPLYF1F*	CP 3/4 (W)x(H) Ex Wood Veneer PLY F1F*
3/4	PLY	Exotic Wood Veneer	Wood Veneer	168.57	4460	Exotic Wood Veneer ONLY	CP34FMIPLYF2F*	CP 3/4 (W)x(H) Ex Wood Veneer PLY F2F*
3/4	PLY	Wood Veneer	MCI	25.37	756	Alder & Beech N/A	CP34FMIMCIPLY	CP 3/4 (W)x(H) Wd Ven/MCI PLY F1F*
3/4	PLY	Exotic Wood Veneer	MCI	88.18	2334	Exotic Wood Veneer ONLY	CP34FMIMCIPLY	CP 3/4 (W)x(H) Ex Wd Ven/MCI PLY F1F*
3/4	PLY	MCI	MCI	18.93	550		CP34MCIPLYF2F*	CP 3/4 (W)x(H) MCI PLY F2F*
3/4	PLY	HPL	White Melamine	29.97	904	HPL, FOIL, TSS colors in General Section	CP34HPPPLYF1F*	CP 3/4 (W)x(H) HPL PLY F1F*
3/4	PLY	HPL	HPL	35.41	1079		CP34HPPPLYF2F*	CP 3/4 (W)x(H) HPL PLY F2F*
3/4	PBD	Wood Veneer	Unfinished	19.61	572	Alder, Black Walnut & Sapele N/A	CP34FMIPBDF1F*	CP 3/4 (W)x(H) Wood Veneer PBD F1F*
3/4	PBD	Wood Veneer	Wood Veneer	23.00	680	Alder, Black Walnut & Sapele N/A	CP34FMIPBDF2F*	CP 3/4 (W)x(H) Wood Veneer PBD F2F*
3/4	PBD	Wood Veneer	MCI	20.37	597	WGL, Alder, Beech & Sapele N/A	CP34FMIPCIPBD	CP 3/4 (W)x(H) Wd Ven/MCI PBD F1F*
3/4	PBD	Exotic Wood Veneer	Unfinished	90.33	2391	Exotic Wood Veneer ONLY	CP34FMIPBDF1F*	CP 3/4 (W)x(H) Ex Wood Veneer PBD F1F*
3/4	PBD	Exotic Wood Veneer	Wood Veneer	155.23	4108	Exotic Wood Veneer ONLY	CP34FMIPBDF2F*	CP 3/4 (W)x(H) Ex Wood Veneer PBD F2F*
3/4	PBD	Exotic Wood Veneer	MCI	73.98	1957	Exotic Wood Veneer ONLY	CP34FMIPCIPBD	CP 3/4 (W)x(H) Ex Wd Ven/MCI PBD F1F*
3/4	PBD	MCI	MCI	11.18	302	WGL N/A	CP34MCI PBDF2F*	CP 3/4 (W)x(H) MCI PBD F2F*
3/4	PBD	LPL White	LPL White	12.08	331		CP34LPLWPBDF2F*	CP 3/4 (W)x(H) LPL White PBD F2F*
3/4	PBD	Grey Melamine	Grey Melamine	12.08	331		CP34LPGF2F*	CP 3/4 (W)x(H) LPG PBD F2F*
3/4	PBD	LPL Almond	LPL Almond	12.08	331		CP34LPLAPBDF2F*	CP 3/4 (W)x(H) LPL Almond PBD F2F*
3/4	PBD	HPL	White Melamine	24.51	729	HPL, FOIL, TSS colors in General Section	CP34HPPBDF1F*	CP 3/4 (W)x(H) HPL PBD F1F*
3/4	PBD	HPL	HPL	28.65	862		CP34HPPBDF2F*	CP 3/4 (W)x(H) HPL PBD F2F*

*Specify edge tape (see previous page)

PRICING NOTES

1. W x H = Sq inches ÷ 144 for Sq. foot
2. Round up to next whole Sq. foot
3. Multiply by MSRP (Min. price per piece: 3 sq. ft)

Note: Upcharges for applicable species or laminates will be applied

Accessories - Finished End Doors

Finished End Doors

- Pre-sized doors installed over an Integral Finished End. (Ordered separately – see Modifications section)
- Height of door(s) is same as doors/drawers on cabinet – when installed properly, door(s) will line up with adjacent doors and drawers
- Width is 1/8" less than cabinet depth
- Edge detail and panel detail are same as door style selected
- When ordered for Tall cabinets the package will contain two or three doors depending on cabinet configuration
- Uppermost door will be arched for Roman door styles
- Available in all door styles and wood species
- Factory installation not available

ORDERING

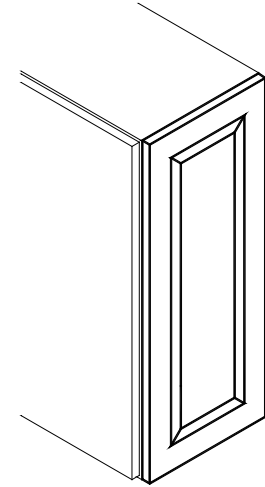
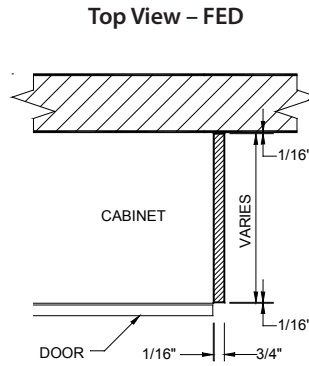
1. Order Integral Finished End for cabinet (see Modifications section)
2. Order loose Finished End Door using information below

HOW TO ORDER

Style	Configuration	Cab D	Cab H
FED	P	21	90

Modification Limits

IHA, RHA, IWA, RWA	Not Allowed
For non-standard sizes order loose doors (DOOR-NH)	
RFG, MGD, MGDN, MGDH	Refer to Modifications section for use



# Doors	Cabinet Configurations	Cabinet Depth	Cabinet Height
1	Wall and Wall Double-Entry	W	12, 15, 18, 21, 24, 27, 30, 33, 36, 39, 42, 45, 48, 51, 54, 57, 60
1	Base, Base Double-Entry and Vanity Grand	B	Do not list height for Base and Vanity configurations
1	Mid-Base and Vanity-Mid	M	
1	Vanity	V	
1	Utility	U	
2	Pantry	P	84, 87, 90, 93, 96
2	Pantry Reverse Base, Full Base, Base 3-Drawer and Base 4-Drawer	PRB	84, 87, 90, 93, 96
2	Pantry Reverse Mid, Full Mid, Mid 3-Drawer and Mid 4-Drawer	PRM	84, 87, 90, 93, 96
2	Pantry Reverse Vanity, Full Vanity and Vanity 3-Drawer	PRV	84, 87, 90, 93, 96
2	Utility Pull-out	UP	84, 87, 90, 93, 96

FINISHED END DOORS		M1	M2	M3	M3A	M4	M4A	M5	M5A	M6	M6A	M7	M8	M9	M10	M11	M11A	M13	M15	M16
ITEM	WALL: 12" D																			
FEDW1212	12" H	54	71	71	81	76	85	98	110	107	120	107	107	120	131	120	132	146	183	159
FEDW1215	15" H	68	88	88	100	95	107	122	137	134	149	134	134	149	163	149	165	183	229	198
FEDW1218	18" H	81	107	107	120	114	129	146	165	161	180	161	161	180	195	180	198	220	275	237
FEDW1221	21" H	93	124	124	141	132	149	171	192	188	209	188	188	209	226	209	231	256	321	278
FEDW1224	24" H	107	142	142	161	151	171	195	220	215	239	215	215	239	259	239	265	293	366	317
FEDW1227	27" H	120	159	159	181	170	192	220	248	243	270	243	243	270	292	270	297	329	412	358
FEDW1230	30" H	134	176	176	202	190	214	244	275	268	298	268	268	298	324	298	329	366	458	397
FEDW1233	33" H	148	195	195	222	209	236	270	302	295	329	295	295	329	356	329	363	404	504	438
FEDW1236	36" H	161	212	212	243	227	256	293	329	322	360	322	322	360	388	360	395	439	550	477
FEDW1239	39" H	175	231	231	263	246	278	319	358	349	390	349	349	390	421	390	429	477	595	517
FEDW1242	42" H	188	248	248	282	265	298	343	385	377	419	377	377	419	453	419	461	512	641	556
FEDW1245	45" H	202	266	266	302	285	321	366	412	404	449	404	404	449	485	449	495	550	687	595
FEDW1248	48" H	215	283	283	322	304	343	390	439	429	478	429	429	478	517	478	527	587	733	634
FEDW1251	51" H	229	302	302	343	322	365	416	468	456	509	456	456	509	551	509	561	624	775	675
FEDW1254	54" H	243	319	319	363	341	385	439	495	483	539	483	483	539	583	539	594	660	824	714
FEDW1257	57" H	256	338	338	383	360	407	465	522	510	570	510	510	570	616	570	628	697	872	755
FEDW1260	60" H	268	354	354	404	378	427	488	550	538	599	538	538	599	648	599	660	733	916	794

More Pricing on next page >>

Accessories - Finished End Doors

FINISHED END DOORS		M1	M2	M3	M3A	M4	M4A	M5	M5A	M6	M6A	M7	M8	M9	M10	M11	M11A	M13	M15	M16
ITEM	WALL: 24" D																			
FEDW2412	12" H	107	142	142	161	151	171	195	220	215	239	215	215	239	259	239	265	293	366	317
FEDW2415	15" H	134	176	176	202	190	214	244	275	268	298	268	268	298	324	298	329	366	458	397
FEDW2418	18" H	161	212	212	243	227	256	293	329	322	360	322	322	360	388	360	395	439	550	477
FEDW2421	21" H	188	248	248	282	265	298	343	385	377	419	377	377	419	453	419	461	512	641	556
FEDW2424	24" H	215	283	283	322	304	343	390	439	429	478	429	429	478	517	478	527	587	733	634
FEDW2427	27" H	243	319	319	363	341	385	439	495	483	539	483	483	539	582	539	594	660	824	714
FEDW2430	30" H	268	354	354	404	378	427	488	550	538	599	538	538	599	648	599	660	733	916	794
FEDW2433	33" H	295	390	390	444	417	470	538	605	592	658	592	592	658	712	658	726	806	1007	873
FEDW2436	36" H	322	426	426	483	624	512	587	660	644	717	644	644	717	777	717	792	879	1099	953
FEDW2439	39" H	349	461	461	524	492	556	636	716	699	778	699	699	778	841	778	858	953	1191	1033
FEDW2442	42" H	377	495	495	565	529	599	683	770	753	838	753	753	838	906	838	923	1026	1282	1111
FEDW2445	45" H	404	531	531	605	568	641	733	824	807	897	807	807	897	972	897	989	1099	1374	1191
FEDW2448	48" H	429	566	566	644	605	683	782	879	860	957	860	860	957	1036	957	1055	1172	1465	1270
FEDW2451	51" H	456	602	602	685	644	728	831	934	914	1018	914	914	1018	1101	1018	1121	1247	1557	1350
FEDW2454	54" H	483	638	638	726	682	770	879	989	967	1077	967	967	1077	1165	1077	1187	1319	1649	1428
FEDW2457	57" H	510	673	673	767	719	812	928	1045	1021	1138	1021	1021	1138	1230	1138	1253	1392	1740	1508
FEDW2460	60" H	538	709	709	806	756	855	977	1099	1075	1197	1075	1075	1197	1294	1197	1319	1465	1832	1587
ITEM	Base Height																			
FEDB12	12" D	156	207	207	207	220	220	285	285	314	314	314	314	349	378	349	349	385	534	463
FEDB18	18" D	236	310	310	310	331	331	427	427	470	470	470	470	524	566	524	524	577	802	695
FEDB21	21" D	275	361	361	361	387	387	499	499	548	548	548	548	611	660	611	611	673	934	811
FEDB24	24" D	314	414	414	414	441	441	570	570	628	628	628	628	699	755	699	699	770	1068	926
ITEM	Mid Height																			
FEDM12	12" D	142	188	188	188	202	202	261	261	287	287	287	287	319	346	319	319	351	488	424
FEDM18	18" D	215	283	283	283	304	304	390	390	429	429	429	429	478	517	478	478	527	733	634
FEDM21	21" D	251	331	331	331	353	353	456	456	502	502	502	502	558	604	558	558	616	855	741
FEDM24	24" D	287	378	378	378	404	404	521	521	573	573	573	573	638	690	638	638	704	977	846
ITEM	Vanity Height																			
FEDV12	12" D	134	176	176	176	190	190	244	244	268	268	268	268	298	324	298	298	329	458	397
FEDV18	18" D	202	266	266	266	283	283	283	283	366	366	404	404	449	485	449	449	495	687	595
FEDV21	21" D	236	310	310	310	331	331	427	427	470	470	470	470	524	566	524	524	577	802	695
FEDV24	24" D	268	354	354	354	378	378	488	488	538	538	538	538	599	648	599	599	660	916	794
ITEM	TALL: 12" D	Insert Tall cabinet designation (U, P, PRB, PRM, PRV) for correct door configuration																		
FED_1284	84" H	377	495	495	565	529	599	683	770	753	838	753	753	838	906	838	923	1026	1282	1111
FED_1287	87" H	390	514	514	585	550	621	709	797	780	868	780	780	868	938	868	957	1063	1328	1152
FED_1290	90" H	404	531	531	604	568	641	733	824	806	897	806	806	897	970	897	989	1099	1374	1191
FED_1293	93" H	417	550	550	624	587	663	758	853	833	928	833	833	928	1002	928	1023	1145	1420	1231
FED_1296	96" H	429	566	566	644	605	683	782	879	860	957	860	860	957	1035	957	1055	1172	1465	1270
ITEM	TALL: 21" D	Insert Tall cabinet designation (U, P, PRB, PRM, PRV) for correct door configuration																		
FED_2184	84" H	658	868	868	987	928	1046	1197	1347	1316	1465	1316	1316	1465	1584	1465	1616	1794	2244	1945
FED_2187	87" H	682	899	899	1023	962	1085	1240	1396	1365	1518	1365	1365	1518	1642	1518	1674	1859	2325	2015
FED_2190	90" H	706	929	929	1058	994	1123	1282	1443	1411	1570	1411	1411	1570	1698	1570	1732	1923	2405	2084
FED_2193	93" H	729	962	962	1094	1028	1160	1321	1491	1459	1623	1459	1459	1623	1755	1623	1789	1988	2486	2154
FED_2196	96" H	753	992	992	1128	1060	1197	1367	1538	1504	1676	1504	1504	1676	1811	1676	1847	2052	2564	2222
ITEM	TALL: 24" D	Insert Tall cabinet designation (U, P, PRB, PRM, PRV, UP) for correct door configuration																		
FED_2484	84" H	753	992	992	1128	1060	1197	1367	1538	1504	1676	1504	1504	1676	1811	1676	1847	2052	2564	2222
FED_2487	87" H	780	1028	1028	1169	1099	1240	1416	1594	1559	1735	1559	1559	1735	1876	1735	1913	2125	2656	2301
FED_2490	90" H	806	1062	1062	1209	1136	1282	1465	1649	1611	1794	1611	1611	1794	1939	1794	1978	2198	2748	2381
FED_2493	93" H	833	1097	1097	1250	1174	1325	1511	1704	1665	1855	1665	1665	1855	2005	1855	2044	2271	2839	2461
FED_2496	96" H	860	1133	1133	1289	1211	1367	1564	1759	1720	1915	1720	1720	1915	2069	1915	2110	2344	2931	2541

Accessories - Finished Furniture Ends

Finished Furniture Ends

General Info

- Stile and rail finished panels install directly to cabinet end
- Same depth and height as cabinet
- Each Finished Furniture End increases width of cabinet by 3/4"
- Edge detail is always "S" (Square), and panel detail matches door style selected
- FFE installs flat against cabinet and can be applied to right or left side
- Loose only

Toeckick Options

- A wide rail is placed at bottom of FFE for cabinets with Toeckicks
- Panels will match height of adjacent door panels
- Toeckick must be notched in the field

Panel Configurations

- Two equal height panels:
 - Base and Tall cabinets taller than 58-1/2"
 - Wall cabinets taller than 54"
- Two side-by-side panels:
 - FFEs deeper than 27"
 - Center door styles deeper than 13-1/4"
- Roman door styles:
 - Panels on Wall and upper part of Tall FFEs will be arched
 - When depth is modified deeper than 27" panels will be square
- Corner cabinets which, when installed normally, feature a void in the back are not available with Installed Finished Furniture ends (Ex: BSA and FBCC)

Tall Cabinets

- Note: All cabinets above 90" H have loose Toeckicks unless the ATK (Attach Toeckick) modification is specified

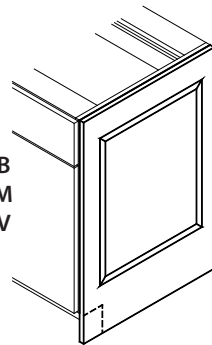
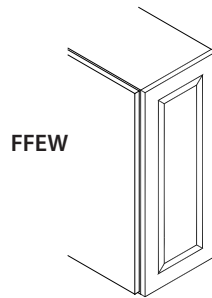
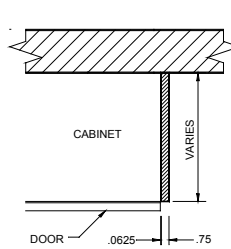
Examples

- UOV3396 with FFET = FFET will be 91-1/2" H
- UOV3396 with ATK and FFET = FFET will be 96" H

Not available in these door styles:

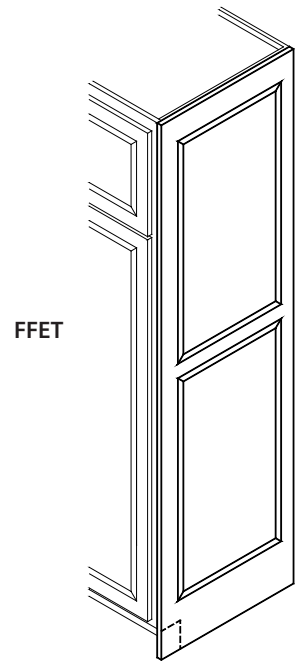
- Exotic Wood Veneer, Foil, Laminate, Mitered, Slab (Solid or Wood Veneer) or Thermo Structured (TSS)

Top View - FFE



Modification Limits

RDA	Reduce D to min. 12"
IDA	Increase D to max. 30"
RWA, IWA	Not available
RHA: Wall	Reduce H to min. 12"
RHA: Base, Mid Vanity & Tall	Reduce H to min. 16-1/2"
IHA: Wall	Increase H to max. 66"
IHA: Base	Increase H to max. 48"
SQUARE-U	Available on FFET and FFEW in Arched styles
ARCH-L	Available on FFEB, FFEM, FFEV



HOW TO ORDER

Style +	Configuration +	Cab D +	Cab H
FFE	T	21	90

Cabinet Configurations		Cabinet Depth	Cabinet Height
Wall and Wall Double-Entry	W	12, 24	12, 15, 18, 21, 24, 27, 30, 33, 36, 39, 42, 45, 48, 51, 54, 57, 60
Base, Base Double-Entry and Vanity-Grand	B	12, 18, 21, 24	Do not list height for Base and Vanity configurations
Mid-Base and Vanity-Mid	M	12, 18, 21, 24	
Vanity	V	18, 21, 24	
Tall	T	12, 21, 24	84, 87, 90, 93, 96

Accessories - Finished Furniture Ends

FINISHED FURNITURE ENDS		M1	M2	M3	M3A	M4	M4A	M5	M5A	M6	M6A	M7	M8	M9	M10	M11	M11A	M13	M15	M16
ITEM	WALL: 12" D																			
FFEW1212	12" H	-	-	71	81	76	85	98	110	107	120	107	107	120	131	120	132	146	161	159
FFEW1215	15" H	-	-	88	100	95	107	122	137	134	149	134	134	149	163	149	165	183	204	198
FFEW1218	18" H	-	-	107	120	114	129	146	165	161	180	161	161	180	195	180	198	220	244	237
FFEW1221	21" H	-	-	124	141	132	149	171	192	188	209	188	188	209	226	209	231	256	285	278
FFEW1224	24" H	-	-	142	161	151	171	195	220	215	239	215	215	239	259	239	265	293	326	317
FFEW1227	27" H	-	-	159	181	170	192	220	248	243	270	243	243	270	292	270	297	329	365	358
FFEW1230	30" H	-	-	176	202	190	214	244	275	268	298	268	268	298	324	298	329	366	407	397
FFEW1233	33" H	-	-	195	222	209	236	270	302	295	329	295	295	329	356	329	363	404	448	438
FFEW1236	36" H	-	-	212	243	227	256	293	329	322	360	322	322	360	388	360	395	439	487	477
FFEW1239	39" H	-	-	231	263	246	278	319	358	349	390	349	349	390	421	390	429	477	527	517
FFEW1242	42" H	-	-	248	282	265	298	343	385	377	419	377	377	419	453	419	461	512	602	556
FFEW1245	45" H	-	-	266	302	285	321	366	395	404	449	404	404	449	485	449	490	550	611	595
FFEW1248	48" H	-	-	283	322	304	343	390	439	429	478	429	429	478	517	478	527	587	651	634
FFEW1251	51" H	-	-	302	343	322	363	417	466	456	509	456	456	509	551	509	561	624	694	673
FFEW1254	54" H	-	-	319	363	341	385	439	495	483	539	483	483	539	583	539	594	660	733	714
FFEW1257	57" H	-	-	338	383	360	407	465	522	510	570	510	510	570	616	570	628	697	775	753
FFEW1260	60" H	-	-	354	404	378	427	488	550	538	599	538	538	599	648	599	660	733	814	794
ITEM	WALL: 24" D																			
FFEW2412	12" H	-	-	142	161	151	171	195	220	215	239	215	215	239	259	239	265	293	326	317
FFEW2415	15" H	-	-	176	202	190	214	244	275	268	298	268	268	298	324	298	329	366	407	397
FFEW2418	18" H	-	-	212	243	227	256	293	329	322	360	322	322	360	388	360	395	439	487	477
FFEW2421	21" H	-	-	248	282	265	298	343	385	377	419	377	377	419	453	419	461	512	568	556
FFEW2424	24" H	-	-	283	322	304	343	390	439	429	478	429	429	478	517	478	527	587	651	634
FFEW2427	27" H	-	-	319	363	341	385	439	495	483	539	483	483	539	582	539	594	660	733	714
FFEW2430	30" H	-	-	354	404	378	427	488	550	538	599	538	538	599	648	599	660	733	814	794
FFEW2433	33" H	-	-	390	444	417	470	538	605	592	658	592	592	658	712	658	726	806	895	873
FFEW2436	36" H	-	-	426	483	455	512	587	660	644	717	644	644	717	777	717	792	879	975	953
FFEW2439	39" H	-	-	461	524	492	556	636	716	699	778	699	699	778	841	778	858	953	1058	1033
FFEW2442	42" H	-	-	495	565	529	599	683	770	753	838	753	753	838	906	838	923	1026	1140	1111
FFEW2445	45" H	-	-	531	614	568	641	733	824	807	897	807	807	897	972	897	989	1099	1221	1191
FFEW2448	48" H	-	-	566	644	605	683	782	879	860	957	860	860	957	1036	957	1055	1172	1301	1270
FFEW2451	51" H	-	-	602	685	644	728	831	934	914	1018	914	914	1018	1101	1018	1084	1247	1384	1350
FFEW2454	54" H	-	-	638	726	682	770	879	989	967	1077	967	967	1077	1165	1077	1165	1319	1465	1428
FFEW2457	57" H	-	-	673	770	717	812	928	1045	1021	1138	1021	1021	1138	1230	1138	1253	1392	1547	1508
FFEW2460	60" H	-	-	709	806	756	855	977	1099	1075	1197	1075	1075	1197	1294	1197	1319	1465	1626	1587
ITEM	Base Height																			
FFEB12	12" D	-	-	207	207	220	220	285	285	314	314	314	314	349	378	349	349	427	475	463
FFEB18	18" D	-	-	310	310	331	331	427	427	470	470	470	470	524	566	524	524	641	712	695
FFEB21	21" D	-	-	361	361	387	387	499	499	548	548	548	548	611	660	611	611	748	831	811
FFEB24	24" D	-	-	414	414	441	441	570	570	628	628	628	628	699	755	699	699	855	948	926
ITEM	Mid Height																			
FFEM12	12" D	-	-	188	188	202	202	261	261	287	287	287	287	319	346	319	319	390	432	424
FFEM18	18" D	-	-	283	283	304	304	390	390	429	429	429	429	478	517	478	478	587	651	634
FFEM21	21" D	-	-	331	331	353	353	456	456	502	502	502	502	558	604	558	558	683	758	741
FFEM24	24" D	-	-	378	378	404	404	521	521	573	573	573	573	638	690	638	638	782	868	846
ITEM	Vanity Height																			
FFEV12	12" D	-	-	176	176	190	190	244	244	268	268	268	268	298	324	298	298	366	407	397
FFEV18	18" D	-	-	266	266	283	283	366	366	404	404	404	404	449	485	449	449	550	611	595
FFEV21	21" D	-	-	310	310	331	331	427	427	470	470	470	470	524	566	524	524	641	712	695
FFEV24	24" D	-	-	354	354	378	378	488	488	538	538	538	538	599	648	599	599	733	814	794
ITEM	TALL: 12" D																			
FFET1284	84" H	-	-	495	565	529	599	683	770	753	838	753	753	838	906	838	923	1026	1140	1111
FFET1287	87" H	-	-	514	585	550	621	709	797	780	868	780	780	868	938	868	957	1063	1180	1152
FFET1290	90" H	-	-	531	604	568	641	733	824	806	897	806	806	897	970	897	989	1099	1219	1191
FFET1293	93" H	-	-	550	624	587	663	758	851	833	928	833	833	928	1002	928	1021	1136	1260	1231
FFET1296	96" H	-	-	566	644	605	683	782	879	860	957	860	860	957	1035	957	1055	1172	1301	1270
ITEM	TALL: 21" D																			
FFET2184	84" H	-	-	868	987	928	1046	1197	1347	1316	1465	1316	1316	1465	1584	1465	1616	1794	1991	1945
FFET2187	87" H	-	-	899	1023	962	1085	1240	1226	1364	1484	1364	1364	1484	1642	1518	1674	1859	2064	2015
FFET2190	90" H	-	-	929	1058	994	1123	1282	1443	1411	1570	1411	1411	1570	1698	1570	1732	1923	2135	2084
FFET2193	93" H	-	-	962	1094	1028	1162	1325	1492	1459	1623	1459	1459	1623	1755	1623	1789	1988	2206	2154
FFET2196	96" H	-	-	992	1128	1060	1197	1367	1538	1504	1676	1504	1504	1676	1811	1676	1847	2052	2278	2222
ITEM	TALL: 24" D																			
FFET2484	84" H	-	-	992	1128	1060	1197	1367	1538	1504	1676	1504	1504	1676	1811	1676	1847	2052	2278	2222
FFET2487	87" H	-	-	1028	1169	1099	1240	1416	1594	1559	1735	1559	1559	1735	1876	1735	1913	2125	2376	2303
FFET2490	90" H	-	-	1062	1209	1136	1282	1465	1649	1611	1794	1611	1611	1794	1939	1794	1978	2198	2441	2381
FFET2493	93" H	-	-	1097	1250	1175	1325	1515	1704	1665	1854	1665	1665	1854	2005	1855	2044	2271	2522	2463
FFET2496	96" H	-	-	1133	1289	1211	1367	1564	1759	1720	1915	1720	1720	1915	2069	1915	2110	2344	2602	2541

Accessories - Finished Furniture Backs & Doors

Finished Furniture Backs

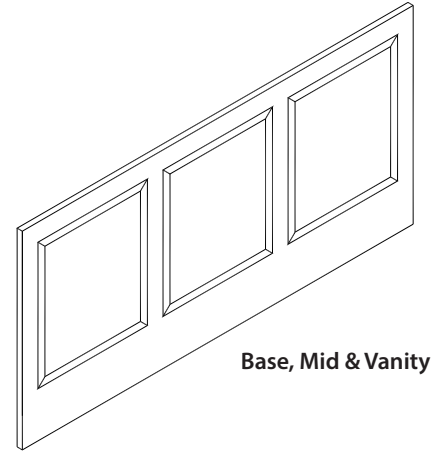
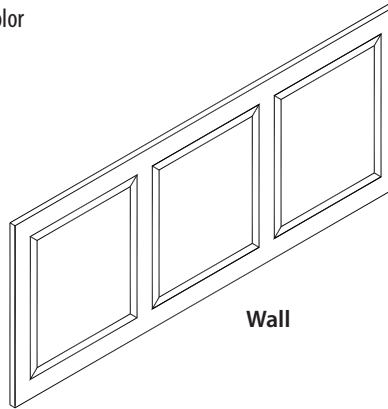
- WIDTH: Min. 12" | Max. 96"
- Stile and rail finished panels that install to back of a run of cabinets
- Order same height as cabinet
- Edge detail is always "S" (Square)
- Stile, rail and panel detail matches door style selected
- A taller rail is placed at bottom of FFBB, FFBM and FFBV to align with cabinets that have toe kicks
- Panels match height of adjacent door panels
- Available only on M&T door styles, Maestro (SM) and Pinnacle (TSS)
- Back side has seal coat only and is not finished to match door color
- Factory installation not available

# of Panels	Single Panel or Non-Center Doors	"Center" Style Doors
	Width	Width
1	12" - 24"	12" - 13"
2	24-1/4" - 48"	13-1/4" - 24"
3	48-1/4" - 72"	24-1/4" - 36"
4	72-1/4" - 96"	36-1/4" - 48"
5	-	48-1/4" - 60"
6	-	60-1/4" - 72"
7	-	72-1/4" - 84"
8	-	84-1/4" - 96"

Example: FFBW30 x 54-1/2, IHA36

PRICING NOTE	
Price is MSRP per lineal inch	
1. Specify width in 1/4" increments	
2. Round fractions to next whole number	
HOW TO ORDER	
Style +	Width
FFBW24	72.25

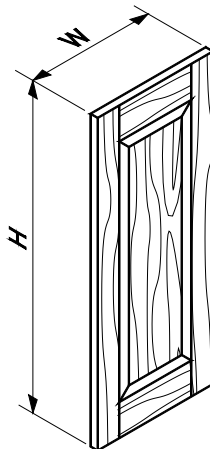
Modification Limits	
RDA, IDA	Not available
RWA, IWA	Not available
RHA: Wall	Reduce H to min. 12"
RHA: Base, Mid Vanity	Reduce H to min. 16-1/2"
IHA: Wall & Base	Increase H to max. 48"



FINISHED FURNITURE BACKS		M1	M2	M3	M3A	M4	M4A	M5	M5A	M6	M6A	M7	M8	M9	M10	M11	M11A	M13	M15	M16
ITEM	WALL CABINETS																			
FFBW18_	18" H	-	-	8	10	10	10	12	14	14	15	14	14	15	17	15	17	19	20	20
FFBW21_	21" H	-	-	10	12	12	12	14	15	15	17	15	15	17	19	17	19	22	24	24
FFBW24_	24" H	-	-	12	14	12	14	17	19	19	20	19	19	20	22	20	22	24	27	27
FFBW27_	27" H	-	-	14	15	14	15	19	20	20	22	20	20	22	25	22	25	27	31	31
FFBW30_	30" H	-	-	15	17	15	19	20	24	22	25	22	22	25	29	25	27	31	34	34
FFBB_	Base Height	-	-	17	17	19	19	24	24	25	25	25	25	29	32	29	29	34	37	37
FFBM_	Mid Height	-	-	15	15	17	17	22	22	24	24	24	24	27	31	27	27	32	36	36
FFBV_	Vanity Height	-	-	15	15	15	15	20	20	22	22	22	22	25	29	25	25	31	34	34

Doors

- Loose doors are prepped for hinges as specified, but hinges must be ordered separately and are shipped loose
- Apply standard door modifications, such as RFG or MGD, using information in Modifications section
- For individual door size limitations and specifications, refer to door pages (General section)
- Doors 36" H and below will have two hinges
- Doors over 36" H will have three hinges
- Roman door styles: Add R or L to indicate hinge side



HOW TO ORDER			
Style +	Hinge Prep side	Width +	Height +
DOOR-NH		18	36
DOOR-ARCH-MH	L	24	36

APDR: use for appliance application to display, design and price within 20-20 (identical to DOOR-NH also see appliance panels)

PRICING NOTE	
Price is MSRP per square inch (W x H)	
1. Round fractions to next whole number	
2. Multiply results by square inch price	

DOORS		M1	M2	M3	M3A	M4	M4A	M5	M5A	M6	M6A	M7	M8	M9	M10	M11	M11A	M13	M15	M16
ITEM	Square Doors																			
DOOR-NH / APDR	No Hinge Prep	0.37	0.49	0.49	0.56	0.53	0.59	0.68	0.76	0.75	0.83	0.75	0.75	0.83	0.90	0.83	0.92	1.02	1.27	1.10
DOOR-MH (L/R)	Millennia Hinge Prep	0.37	0.49	0.49	0.56	0.53	0.59	0.68	0.76	0.75	0.83	0.75	0.75	0.83	0.90	0.83	0.92	1.02	1.27	1.10
ITEM	Arched Doors																			
DOOR-ARCH-NH	No Hinge Prep	0.37	0.49	0.49	0.56	0.53	0.59	0.68	0.76	0.75	0.83	0.75	0.75	0.83	0.90	0.83	0.92	1.02	1.27	1.10
DOOR-ARCH-MH (L/R)	Millennia Hinge Prep	0.37	0.49	0.49	0.56	0.53	0.59	0.68	0.76	0.75	0.83	0.75	0.75	0.83	0.90	0.83	0.92	1.02	1.27	1.10

Accessories - Hinges & Lidstays

Hinges

- Hinges are ordered individually (unless noted)
- Each hinge includes mounting plate and attachment screws

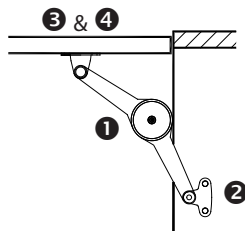
inMotion for Doors

- Senses door weight and closing force and adjusts braking power for a smooth, silent close
- Designed to be used at temperatures between 65° and 85° F. Lower or higher temperatures will not cause damage to the hinge, but will affect closing speed during that time.
- **Not available:** hinged top doors or 3/4" frame aluminum doors

HINGES (INCLUDES MOUNTING PLATE & SCREWS)		MSRP	QTY
HINGE-M110	110° hinge & mounting plate for standard cabinets	11	ea
HINGE-M170	170° hinge & mounting plate for FBCC / WCC	15	ea
HINGE-M60	60° bifold hinge & mounting plate for between doors on FBCC / WCC	20	ea
HINGE-M25NEG	Negative 25° diagonal hinge, wedge & mounting plate for WEC/FBEC/FVEC	30	ea
HINGE-M45	45° diagonal hinge & mounting plate for BSA/FBCA/WCA	25	ea
HINGE-M45NEG	Negative 45° diagonal hinge & mounting plate for _AB/_EA cabinets	23	ea
HINGE-MSC	95° blind corner hinge & mounting plate for WSC/BSC	23	ea
HINGE-TO	Hinge for Tip-out Tray surface mounts to side of cabinet and back of tip-out front	51	pr
HINGE-MFD	95° mini hinge & mounting plate for flip-down fronts	11	ea
HINGE-MAD	105° hinge & mounting plate for narrow frame aluminum doors (A01)	13	ea
INMOTION HINGES (INCLUDES MOUNTING PLATE & SCREWS)			
HINGE-M110-IM	110° InMotion hinge & mounting plate for standard cabinets	13	ea
HINGE-M45-IM	45° Diagonal inMotion hinge & mounting plate for BSA/FBCA / WCA	33	ea
HINGE-M25NEG-IM	Negative 25° diagonal InMotion hinge & mounting plate for WEC/FBEC/VEC	37	ea
HINGE-M45NEG-IM	Negative 45° diagonal InMotion hinge & mounting plate for _AB/_EA	31	ea
HINGE-MSC-IM	95° blind corner InMotion hinge & mounting plate for WSC/BSC	31	ea
HINGE MOUNTING PLATES (HINGES NOT INCLUDED)			
HINGE-MP-STD	0mm plate for use with M110, M170 and M60	2	ea
HINGE-MP-EC	0mm plate for use with M25NEG hinges	5	ea
HINGE-WG-EC	5mm wedge for use with M25NEG hinges	7	ea
HINGE-MP-45-SC	3mm plate for use with MSC, M45 & M45NEG hinges	2	ea
HINGE-MP-FD	6mm plate for use with MFD hinges	7	ea
HINGE-MP-AD	2mm plate for use with MAD hinges	4	ea
HINGE COVER CAP			
HCC-STD	Hinge cover cap for M110, M45, M60, M45NEG, M170, MAD, MFD & MSC hinges	2	ea
HCC-M170	Hinge cover cap for M170 hinges	2	ea
HINGE ANGLE REDUCTION CLIP (LOOSE ONLY)			
ARC-M110	Reduces opening angle to 86° on M110 hinges	5	ea
MISCELLANEOUS HINGE ITEMS			
PINHG10	Pkg of 10 Pin Hinges for Door Samples (DOH-PH)	85	pkg

Lidstays

- Reversible lidstay hardware surface mounts to door (or lid) and inner side of cabinet
- Door (or lid) locks into position when fully opened
- Adjustable brake controls lid closure
- Packaged with four mounting screws
- Refer to Modifications section for factory installation
- Order individual components of Lidstay



LIDSTAY PARTS	DESCRIPTION	MSRP (ea)	USE FOR
1 DUOARM	Lidstay Arm - Short	81	All applications
2 DUOBRKT-C	Duo Cabinet Bracket	10	All applications
3 DUOBRKT-DA	Duo Door Bracket Aluminum A01	3	A01 Alum. Dr frame
4 DUOBRKT-DS	Duo Door Bracket Standard	5	All Except: A01 Alum. Dr frame

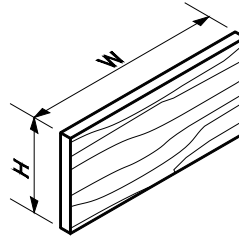
Accessories - Drawer Fronts & Boxes

Drawer Fronts (loose)

- Style, edge detail and finish matches order header information
- Max. W: 48"

To override order header configuration

- Apply DFMD (Drawer Front Match Door) or DFS (Drawer Front Slab) modifications as allowed (by door style)
- If ordering DFMD, (4) DF-BRKT (Drawer front bracket) required per drawer
- DFMD up-charge is applied per drawer front



Drawer Front Styles

DF: Drawer front without machining. Order for typical drawer fronts and tip-out fronts. No prep is required for tip-out hinges, but hinges must be ordered separately.

DF-FD: Drawer front machined for flip-down hinges. Flip-down hinges are used for breadboards (BB), chopping blocks (CB) and drawer ironing boards (DIB). Flip-down hinges must be ordered separately.

Note: Refer to individual door pages in General Section to determine min. and max. drawer front sizes, selection styles and up-charges

Sizing Note

Typical Drawer Front heights, Drawer Box heights, and Opening heights are on pages B1-B3, V1-V4 of Base and Vanity sections

Cabinets up to 36" W have one drawer front
Cabinets wider than 36" have two drawer fronts

PRICING NOTE

Price is MSRP per square inch (W x H)

1. Round fractions to next whole number

2. Multiply results by square inch price

Add up-charge per front for DFMD

HOW TO ORDER

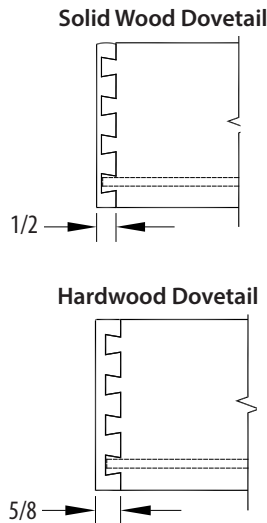
Style +	Width +	Height +
DF-FD	18	4.75

DRAWER FRONTS		M1	M2	M3	M3A	M4	M4A	M5	M5A	M6	M6A	M7	M8	M9	M10	M11	M11A	M13	M15	M16
DF	Drawer Front	0.37	0.49	0.68	0.68	0.68	0.68	0.68	0.68	0.68	0.68	0.68	0.68	0.83	0.90	0.83	0.83	1.02	1.27	1.10
DF-FD	Flip-Down Drawer Front	0.37	0.49	0.68	0.68	0.68	0.68	0.68	0.68	0.68	0.68	0.68	0.68	0.83	0.90	0.83	0.83	1.02	1.27	1.10

Drawer Boxes (loose)

Choice of materials:

- (1) Solid Wood (SWD): 1/2" thick front, back and sides
- (2) Hardwood (HWDWR): 5/8" thick solid front, back and sides
- Both feature 1/4" bottom captured on front and sides, glued dovetail construction and clear finish
- Drawer boxes may be ordered with or without drawer guides
- SWD Heights: 2-1/4", 3-1/4", 4-1/4", 6-1/4", 8-1/2" and 10-1/4"
- HWDWR Heights: 2-1/8", 3-1/4", 4-3/4", 8-1/2" and 10"
- Width: See chart at right
- Depth: See chart on next page
- No modifications



HOW TO SIZE DRAWER BOX WIDTHS

Solid Wood Dovetail Drawer Box Sizes	
UMFEG-IM guides	Opening Width less 5/8"
Hardwood Dovetail Drawer Box Sizes	
UMFEG-IM guides	Opening Width less 3/8"

HOW TO ORDER

Style +	Height +	Width +	Depth
DBOXH-UMFEG-IM	4-3/4	13-15/16	21

HARDWOOD DOVETAIL DRAWER BOXES		MSRP (ea)	SOLID WOOD DOVETAIL DRAWER BOXES		MSRP (ea)
DBOXH-NGU	No Guide Under Mount prep	180	DBOXS-NGU	No Guide Under Mount prep	78
DBOXH-UMFEG-IM	Under Mount Full-Extension with inMotion	466	DBOXS-UMFEG-IM	Under Mount Full-Extension with InMotion	365

Accessories - Drawer Guides & Hardware

Drawer Guides & Hardware (loose)

- Loose drawer guides include cabinet members, sockets and all necessary mounting hardware for drawer box application
- Specify guide type and length (not cabinet depth) Ex: UMFEG-IMS-21
- Drawers less than 9" W use "Narrow" locking mechanisms (ex. B09, VCOM36 or 39 cabinets)

UMFEG-IMS	Under Mount, Full-Extension Guide with InMotion Set Lengths – 9, 12, 15, 18, 21
------------------	---

Guide Lengths & Drawer Depths by Type and Cabinet Depth

Cabinet Depth	UMFEG-IM			
	Drawer		RO	
	Gd L	Dpth	Gd L	Dpth
12"	9*		9	
13"	9*		9	
14"	9*		9	
15"	12		12	
16"	12		12	
17"	12		12	
18"	15		15	
19"	15		15	
20"	15		15	
21"	18		18	
22"	18		18	
23"	18		18	
24"	21		21	

* Cabinets greater than 24" D will use same length guides, drawer boxes and roll-outs as standard 24" deep cabinets.

DRAWER GUIDE SETS		MSRP
Under Mount Full Ext. w/inMotion		
UMFEG-IMS-9	9"	100
UMFEG-IMS-12	12"	100
UMFEG-IMS-15	15"	100
UMFEG-IMS-18	18"	100
UMFEG-IMS-21	21"	100

MISCELLANEOUS HARDWARE		MSRP	QTY
MAGS	Single Magnetic Catch	10	ea.
UMFEG-IM-DM	Standard drawer locking device	16	set of 2
UMFEG-IM-NDM	Narrow drawer locking device	13	set of 2
TLATCH-W	Touch Latch White	10	ea.
MAGD	Double magnetic catch	8	ea.
BBGUIDE	Breadboard Guides	46	set
PINHG10	Pin Hinges for DOS-PH	85	pkg.
CBGUIDE	Chopping Block Guides	468	set
KBGUIDE	Keyboard & Pencil Drawer Guides	237	set
UMRO-SPCR	1" Under Mount Roll-out Spacer	17	pkg. of 4
BOTRO-SPCR	1" Bottom Under Mount Roll-out Spacer	17	pkg. of 4

Drawer Front Bracket

- Bracket used with 5-piece DFMD drawer front
- Measures 9/16" x 1-1/8" x 1-1/2"
- Color: light brown
- Attaches with 4 flat head screws (provided)



	MSRP
DF-BRKT	5 ea.

Accessories - Organizers for Metal Drawers

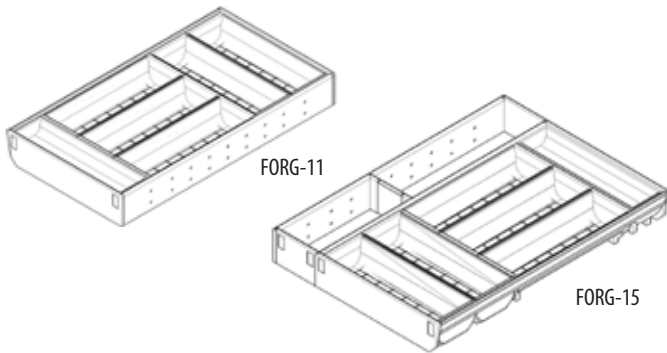
Adjustable Organization for Metal Drawers



- Mix and match these adjustable inserts to organize utensils, cutlery, flatware and much more
- Made of high quality nylon and stainless steel
- Removable stainless trays and knife holder are dishwasher safe up to 170° F
- Loose only

Flatware Organizer Kits

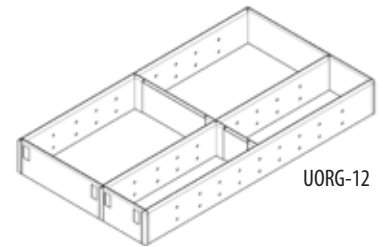
- Removable trays
- Fits standard 24" D cabinets



KIT	Dimensions	MSRP
FORG-11	11" W x 2-1/2" H	271
FORG-15	14-13/16" W x 2-1/2" H	296

Utensil Organizer Kit

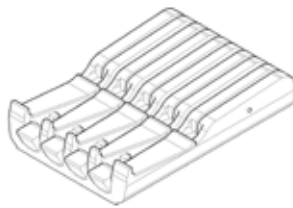
- Adjustable dividers
- Fits standard 24" D cabinets



KIT	Dimensions	MSRP
UORG-12	11-7/16" W x 2-1/2" H	213

Knife Holder

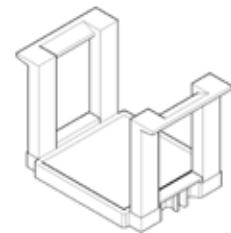
- Holds up to 9 knives of different sizes
- Can clip into divider



	Dimensions	MSRP
KHOLDER	7-1/8" W x 2-3/8" H x 11" D	102

Plate Holder

- Holds up to 12 plates
- Adjustable width accommodates multiple plate sizes
- Non-slip bottom

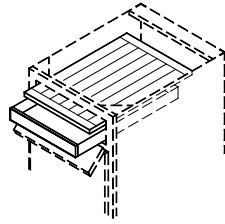


	Dimensions	MSRP
PHOLDER	(adj.) 7-5/16" to 12-11/16" W x 6-11/16" H	165

Accessories - Breadboard, Chopping Block and Roll-out Trays

Breadboard With Shallow Drawer

- 3/4" thick hardwood breadboard and shallow drawer are housed behind flip-down front
- When ordered loose, only breadboard is provided
- Retrofit kits include breadboard, shallow drawer and guides
- Flip-down front and hinges must be ordered separately
- When installed at factory, unit replaces an existing top drawer
- Size modifications not allowed

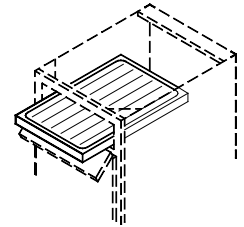


Loose	MSRP	Installed	MSRP	Retrofit Kit	MSRP
BBR15	153	IBB15	215	BBK15	292
BBR18	187	IBB18	241	BBK18	349
BBR21	229	IBB21	266	BBK21	407
BBR24	271	IBB24	292	BBK24	463
BBR27	305	IBB27	317	BBK27	521

• Callout indicates cabinet width

Chopping Block

- Removable 1-1/2" thick hardwood chopping block with juice groove
- Locking full-extension guides
- When ordered loose, only chopping block is provided
- Retrofit kits include chopping block with locking full-extension guides
- Flip-down front and hinges must be ordered separately
- When factory-installed, flip-down front and chopping block replace an existing top drawer
- Size modifications not allowed



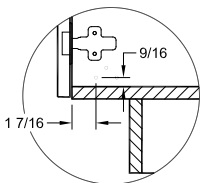
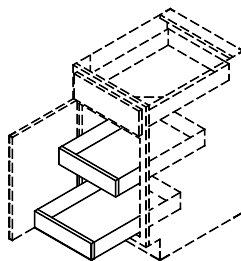
Loose	MSRP	Installed	MSRP	Retrofit Kit	MSRP
CBR18	305	ICB18	551	CBK18	534
CBR21	339	ICB21	594	CBK21	568
CBR24	382	ICB24	636	CBK24	594

• Callout indicates cabinet width

Roll-out Trays

- 3-1/4" High
- 5/8" thick solid hardwood sides with dovetail construction
- Designed for 24" D cabinets
- Order individually, loose or installed
- Loose: includes complete drawer guide set with attachment hardware
 - Order BOTRO-SPCR for loose ROs that will be installed at bottom of cabinet
 - Installer must drill additional set of mounting holes (see drill location below)
- Installed: first roll-out will be placed at bottom of cabinet, and additional roll-outs will be evenly spaced above the first
 - Installed not available: on cabinets over 36" W or with a center mullion

Modification Limits	
RDA	Reduce D to min. 12" required for loose only
IDA	Not available
RWA	Reduce W to min. 15" required for loose only
IWA	Not available
RHA, IHA	Not available



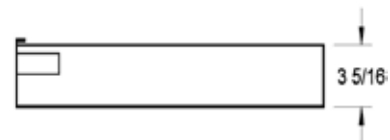
BOTRO-SPCR front mounting hole location

Installed Roll-outs	Cab W	Installed MSRP	Loose Roll-outs	Cab W	MSRP
IRO15	15	271	RO15	15	185
IRO18	18	288	RO18	18	202
IRO21	21	307	RO21	21	220
IRO24	24	327	RO24	24	241
IRO27	27	343	RO27	27	256
IRO30	30	358	RO30	30	271
IRO33	33	375	RO33	33	288
IRO36	36	390	RO36	36	304
			BOTRO-SPCR (pkg. of 4)		17

Metal Roll-out Trays

- 3-5/6" High
- Minimum cabinet depth 18"
- Available installed only
- Powder-coated grey (PGG) or stainless steel (SSG)
- First roll-out will be placed at bottom of cabinet; additional roll-outs will be spaced evenly above first
- 5/8" thick grey melamine faced particleboard bottom and back
- Stainless steel roll-out sides come with removable protective peel coat that should be left on until installation is complete
- NOTE: Can not be combined with wood roll-outs or wood drawers

SIDE VIEW

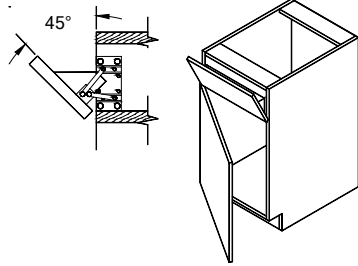


Installed Roll-out Trays	Roll-out Style	MSRP (per roll-out)
PGG	Powder-Coated Grey w/Aluminum front	460
SSG	Stainless Steel	587

Accessories - Drawer Accessories & Organization

Tip-out Trays

- Loose trays available in 10", 11", 14" and 19" widths
- Tip-out hinges and mounting screws included
- Existing drawer front or false front may be used. (Special machining is not required.)
- For factory-installation, apply one ITO modification per tip-out front and proper size will be installed



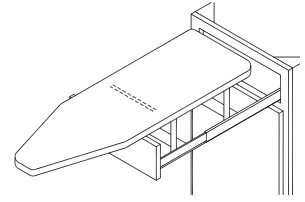
Cabinet not included

Installed	MSRP
ITO	251

Loose		MSRP
TO10	10" Single Stainless Steel	119
TO11	11-1/4" Pair White Plastic	139
TO14	14-1/4" Pair White Plastic	141
TO19	19" Single Stainless Steel	124

Drawer Ironing Board

- Surface is 11-1/4" x 36-5/8"
- Ironing board slides out and unfolds to lock into position
- Includes ironing board cover and all hardware to install
- Existing drawer front or false front may be used. (Special machining is not required.)
- Min. opening: 4" H x 14-1/4" W x 19-5/8" D
- Max. opening W: 19-5/8"
- May be installed in top drawer opening of the following Base cabinets:
 - 18" or 21" W
 - One side of a 39" or 42" W
 - 36" W with 2DF or 2FF modification (Specify L or R)

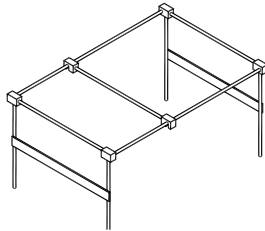


Installed	MSRP
IDIB	889

Loose	MSRP
DIB	719

File Drawer Systems

- Black wire file drawer racks
- Each system includes corner connectors and adjustable T-rod connections to allow divided storage for letter and legal size folders
- Designed to fit into Base 18" or 21" cabinets; metal supporters can be trimmed to fit various drawer sizes
- Loose only



Letter size (SMFD): 13" W x 9-3/4" H x 19-1/4" D

Drawer Requirements:

Min. W: 13" | Min. H: 8-1/2" | Min. D: 9"

Legal size (LGFD): 15-7/8" W x 9-3/4" H x 19-1/4" D

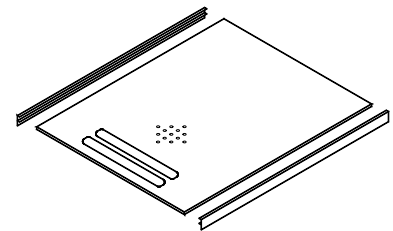
Drawer Requirements:

Min. W: 15-7/8" | Min. H: 8-1/2" | Min. D: 9"

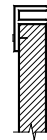
Loose	MSRP
SMFD	109
LGFD	124

Bread Drawer Cover Kit

- Channel rails attach to exterior of drawer box
- Textured white plastic cover is trimmed to fit
- When drawer is open, cover slides back to expose inside of drawer
- Loose only



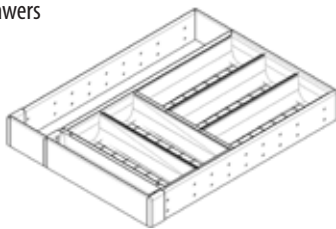
Drawer Cross Section



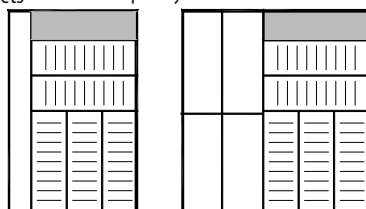
	W x D	MSRP
BDCK-S	16-3/4" x 21-1/4"	81
BDCK-L	20-1/8" x 21-1/4"	93

Drawer Organizer Kit System

- Adjustable organization for wood drawers
- Each kit contains:
 - (2) End caps
 - (1) 3-1/2" adj. divider
 - (3) 4-1/4" adj. dividers
 - (3) 5" adj. dividers
 - (2) Side rails
 - (1) Stainless cutlery tray
 - (1) Compensation tray
- Fits 15", 18", 21" and 24" W cabinets
- Loose only
- No modifications allowed
- Instructions included



Sample Layouts



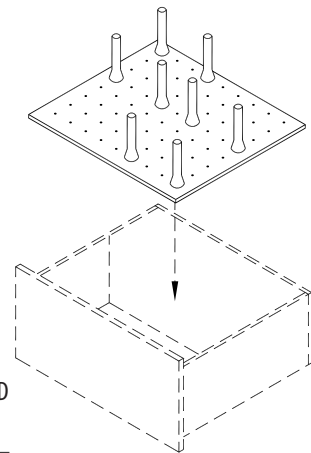
18" cabinet

24" cabinet

Loose	MSRP
DOKS	424

Drawer Peg System

- Pegboard and push pegs
- Maple with natural finish
- Available in three sizes or may be trimmed to size
- Number of pegs depends on pegboard width (see below)



24" SIZE: 24-1/4" W x 6-5/8" H x 21-1/4" D
9 Pegs

30" SIZE: 30-1/4" W x 6-5/8" H x 21-1/4" D
12 Pegs

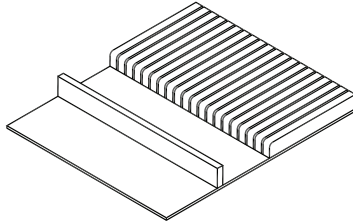
39" SIZE: 39-1/4" W x 6-5/8" H x 21-1/4" D
16 Pegs

Loose	MSRP
DPS24	290
DPS30	353
DPS39	455

Accessories - Drawer Organization

Wood Knife Block Insert

- Birch/Maple hardwood with UV-cured clear finish
- 19 knife slots
- May be trimmed to fit drawers of various widths and depths
- Wood Drawer Divider (WDD) included
- Loose only
- No modifications



SIZE: 18-1/2" W x 2-3/8" H x 22" D

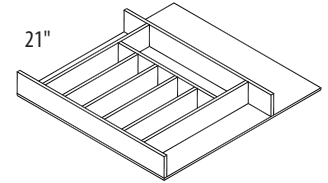
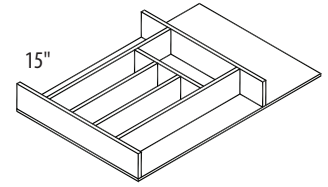
Drawer Requirements:

Min. W: N/A | Min. H: N/A | Min. D: 15-5/16"

Loose	MSRP
WKBT	324

Wood Cutlery Tray Insert

- Birch/Maple hardwood with UV-cured clear finish
- May be trimmed to fit various drawer widths and depths
- Loose only
- No modifications



15" SIZE: 14-5/8" W x 2-3/8" H x 22" D

Minimum trim sizes:

W: 8-3/4" | H: N/A | D: 15-1/2"

21" SIZE: 20-1/16" W x 2-3/8" H x 22" D

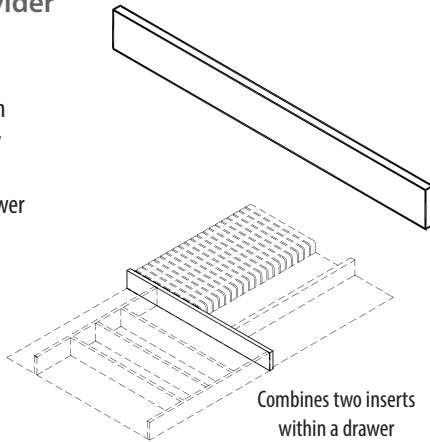
Minimum trim sizes:

W: 14-1/2" | H: N/A | D: 15-1/2"

Loose	MSRP
WCT15	200
WCT21	254

Wood Drawer Divider

- 1/2" thick
- Birch/Maple hardwood with UV-cured clear finish
- Allows Cutlery and Utility drawer inserts to be combined in a single drawer
- May be trimmed to fit various drawer sizes
- Loose only
- No modifications



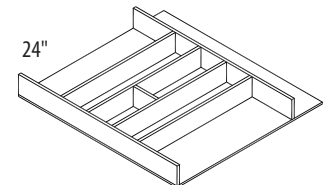
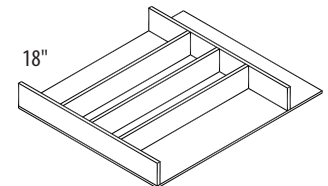
Combines two inserts within a drawer

SIZE: 2-3/8" H x 22" D

Loose	MSRP
WDD	37

Wood Utility Tray Insert

- Birch/Maple hardwood with UV-cured clear finish
- May be trimmed to fit various drawer widths and depths
- Loose only
- No modifications



WUT18: 18-1/2" W x 2-3/8" H x 22" D

Minimum trim sizes:

W: 8-1/8" | H: N/A | D: 17"

WUT24: 24" W x 2-3/8" H x 22" D

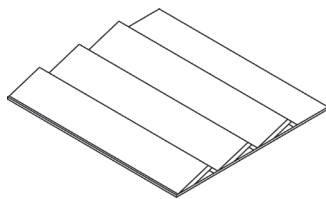
Minimum trim sizes:

W: 12" | H: N/A | D: 17-5/8"

Loose	MSRP
WUT18	195
WUT24	254

Wood Spice Rack Tray

- Birch/Maple hardwood with UV-cured clear finish
- Three rows of storage
- May be ordered loose or installed into top drawer of a single door cabinet and into one or both top drawers of double-door cabinets
- Loose trays are 3" less than callout width and may be trimmed to fit various drawer sizes at jobsite
- No modifications



Loose	MSRP	Installed	MSRP
WSRT12	127	IWSRT12	244
WSRT15	170	IWSRT15	285
WSRT18	210	IWSRT18	327
WSRT21	253	IWSRT21	370
WSRT24	295	IWSRT24	412

SIZE: 1-1/2" H x 19-3/4" D (laid flat)



Factory Installation Requirements:

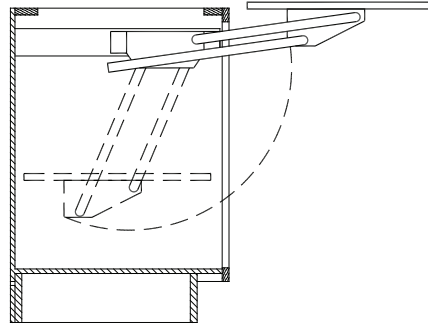
Specify L or R drawer for cabinets that have two top drawers as a standard as well as cabinets that allow the 2DF1 modification. (Replace one drawer with two drawers.)

Standard Cabinet size	WSRT or IWSRT size	Apply 2DF1
B12 - B24	Call-out width	
B24DD - B30	24	
	12L &/or 12R	Yes
B33	24	
	15L &/or 15R	Yes
B36	24	
	18L &/or 18R	Yes
B39	18L &/or 18R	
B42 - B48	21L &/or 21R	

Accessories - Cabinet Organization

Swing-up Mixer Shelf

- 3/4" thick x 20-1/2" D shelf matches cabinet interior
- Shelf swings up and locks in place approx. 3/4" below counter level
- Retracts to horizontal, locked position inside cabinet
- Shelf width is 4-13/16" less than cabinet width
- Extends 22-5/8" from cabinet face
- Mixer size: 15-13/16" H x 14-9/16" D (place at front edge of shelf)
- Load bearing capacity 60 lbs.
- May be ordered loose or installed in full door cabinets
- When ordering loose (SUMS), mixer shelf is not provided so a 3/4" Custom Panel (CP STD 3/4 MCI [W]x[20-1/2"H]) F2F edge banded on four edges (YYYY) must be ordered
- ➔ Width of CP needs to be 4-13/16" less than cabinet width



Installed	MSRP
ISUMS	1085
Loose	MSRP
SUMS	619

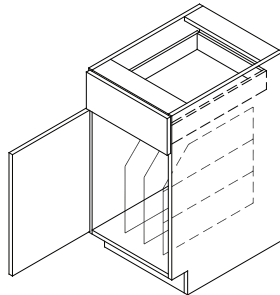
Cabinet Requirements:

Min. D: 24" | Only full, single door cabinets 15" - 24" W
or 24" W double door cabinet (requires mounting to both end panels for stability)

Tray Dividers

- Chrome wire dividers may be ordered loose or installed
- Loose divider comes with mounting clips
- Shelf removed when installed in Base cabinet
- For Installed: specify quantity, size, and door location (see pg M-1)
- Dividers are spaced evenly behind single and double doors (max. behind each door is four)

B18L shown with (3) ITD18



TD12: 12" H x 20" D

Cabinet sizes (Wall only):

W: N/A | H: 18" or 21" | D: 24"

TD18: 18" H x 20" D

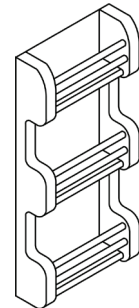
Cabinet sizes (Wall and Base):

W: N/A" | H: 24" | D: 24"

Installed	MSRP
ITD12	68
ITD18	73
Loose	MSRP
TD12	42
TD18	47

Door Mount Spice Rack

- Birch/Maple hardwood with UV-cured clear finish
- Attaches to inside of door or other flat surface with mounting brackets (adjust up to 5")
- Three fixed shelves
- When attaching to back of door: cabinet's adjustable shelf depth must be reduced, and new shelf clip holes drilled
- Loose only



DSR15: 9-1/16" W x 21-1/2" H x 3-1/8" D

Cabinet requirements:

Min. W: 13" | Min. Opening H: 22"

DSR18: 12-1/16" W x 21-1/2" H x 3-1/8" D

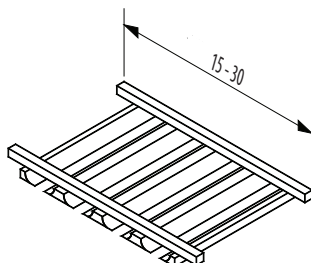
Cabinet requirements:

Min. W: 16" | Min. Opening H: 22"

Loose	MSRP
DSR15	146
DSR18	176

Stemware Holder

- Fits under wall cabinet or on any flat surface
- First number indicates number of rows for glass stems
- Second number indicates width
- Accepts a maximum 3" diameter stemware base
- Shipped assembled

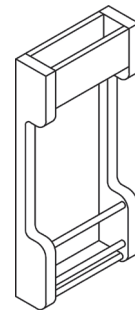


Four-row model shown

	MSRP
STEM3-15	356
STEM4-18	385
STEM4-21	414
STEM5-24	443
STEM6-27	471
STEM7-30	500

Sink Base Wood Door Storage Rack

- Birch/Maple hardwood with UV-cured clear finish
- Rack attaches to inside of door with mounting brackets (adjust up to 5")
- Two fixed shelves
- Plastic shelf liner for top shelf included
- Loose only



DSTR: 10-1/2" W x 18-1/2" H x 5" D

Cabinet requirements:

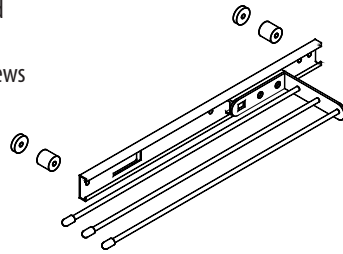
Min. W: 13" | Min. Opening H: 22"

Loose	MSRP
DSTR	258

Accessories - Cabinet Organization

Pull-out Towel Rack

- Chrome wire three-prong towel holder
- Mounts inside cabinet to cabinet end
- Slide extends 12" beyond frame
- Includes spacers and installation screws
- Reversible for R or L installation
- Loose only

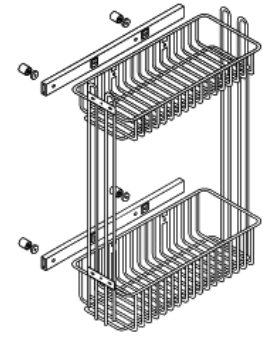


Size: 5" W x 1-1/4" H x 17-3/4" D

Loose	MSRP
POTR	131

Mini Pantry Pull-out

- White vinyl-coated wire baskets
- Mount to inside of cabinet end
- Slides extend 12-1/2"
- Includes spacers and installation screws
- Reversible for R or L installation
- Loose only

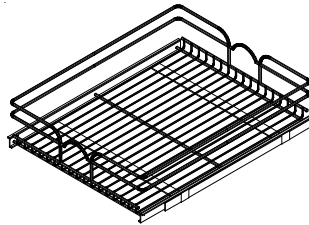


Size: 6-3/8" W x 19-1/2" H x 19-3/8" D

Loose	MSRP
MPPO	397

Pull-out Wire Basket 1-tier

- Chrome wire baskets
- Includes bottom mount slides that mount to floor of cabinet
- Installation hardware included
- Loose only



7" H x 22" D (see W below)

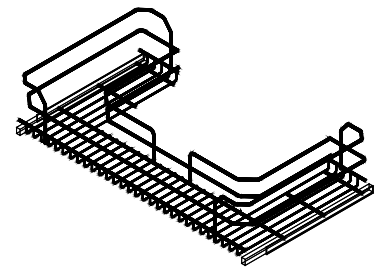
Cabinet requirements:

- POWB12: Min. W 13-1/2"
- POWB15: Min. W 16-1/2"
- POWB18: Min. W 19-1/2"
- POWB21: Min. W 22-1/2"

Loose	MSRP
POWB12	327
POWB15	365
POWB18	395
POWB21	438

Undersink Pull-out

- Chrome U-shaped wire basket
- Designed to fit around plumbing under kitchen sink
- Install into bottom of 2-door base sink cabinets
- Full-extension soft-close guides rated at 75 lbs. (included)
- Loose only



SPOWB: 33" W x 5-1/2" H x 18-1/4" D

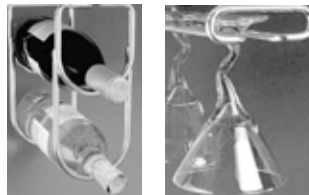
Cabinet requirements:

- Min. W: 36"
- Min. Opening W: 34"
- Specify NCM modification to new cabinets
- Remove center mullion from existing cabinet

Loose	MSRP
SPOWB	1379

Wire Bottle and Stemware holders

- Fits under wall cabinet
- Heavy gauge wire construction
- Mounting hardware included
- Available in four finishes: chrome, satin nickel, brass and oil rubbed bronze
- Loose only



- DBR: 4-1/4" W x 9" H x 5/8" D (ea)
- STEM1: 4-1/4" W x 1-1/2" H x 11" D
- STEM4: 17" W x 1-1/2" H x 11" D



Dbl. Bottle	MSRP	Stem-1 row	MSRP	Stem-4 row	MSRP
DBR-CR	61	STEM1-CR	36	STEM4-CR	132
DBR-SN	68	STEM1-SN	41	STEM4-SN	154
DBR-BR	71	STEM1-BR	42	STEM4-BR	161
DBR-ORB	86	STEM1-ORB	49	STEM4-ORB	173

Under Sink Pull-out Caddy

- Heavy-gauge chrome wire frame with plastic leak proof trays
- Caddy is completely removable and easy to carry
- Handle adjusts to accommodate for plumbing or obstructions
- Slides mount to floor of cabinet
- Installation hardware included
- Loose only



Unit size: 11-1/4" W x 16-1/4" D x 19-1/2" H

Cabinet requirements:

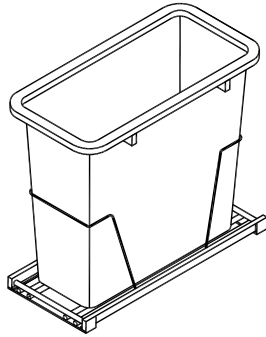
- Min. Opening 11-1/2" W x 20" H
- Min. depth (interior) 16-1/2" D

Loose	MSRP
USPOC	373

Accessories - Cabinet Organization

Single Trash Pull-out

- White wire frame holds a single removable white molded plastic 30-quart waste container
- Bottom mount slides mount to floor of cabinet
- Includes installation hardware
- Loose only

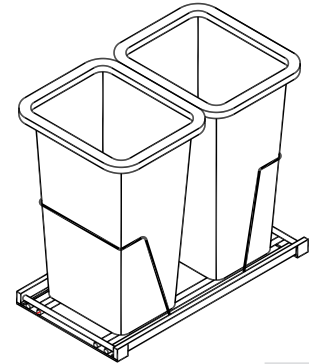


Unit size: 9-1/2" W x 19-1/4" H x 22" D

	Loose	MSRP
TPO1		332

Double Trash Pull-out

- White wire frame holds two removable white molded plastic waste containers
- Bottom mount slides mount to floor of cabinet
- TPO2S has 27-quart containers
- TPO2L has 35-quart containers
- Includes installation hardware
- Loose only



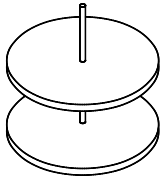
Unit sizes

TPO2S: 11-3/8" W x 19-1/8" H x 22" D
TPO2L: 14-1/4" W x 19-1/4" H x 22" D

	Loose	MSRP
TPO2S		461
TPO2L		495

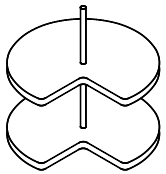
Lazy Susan Kits - White Plastic

- Includes white plastic shelves, shaft and hardware to install in cabinet



Round Lazy Susan Kit

	Loose	MSRP	Qty. of Shelves
LSK1830R (WCA30)		256	2
LSK1836R (WCA36)		290	2
LSK1842R (WCA42)		375	3
LSK24R (FBCA33)		400	2
LSK28R (FBCA36)		490	2



Kidney Lazy Susan Kit

	Loose	MSRP	Qty. of Shelves
LSK24K (FBCC33)		551	2
LSK28K (FBCC36)		553	2

Pull-out Wine Storage

- Mounts to floor of cabinet
- Stores wine bottles horizontally
- Solid maple construction
- Full-extension ball bearing guides
- Select 3, 4 or 5 tier pull-out
- Loose only
- Ships assembled



PWS24 Shown

Unit sizes

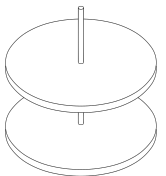
PWS18: 16-1/8" W x 11" H x 22-1/2" D
PWS24: 16-1/8" W x 14-5/8" H x 22-1/2" D
PWS30: 16-1/8" W x 18-1/4" H x 22-1/2" D

Cabinet requirements:
Min. W: 18" | Min. D: 24"

	Loose	MSRP	Qty. of Bottles	Tiers
PWS18		1281	18	3
PWS24		1630	24	4
PWS30		1940	30	5

Lazy Susan Kits - Wood

- Includes wood shelves, shaft and hardware to install in cabinet



Round Lazy Susan Kit

	Loose	MSRP	Qty. of Shelves
LSK1830RW (WCA30)		648	2
LSK1836RW (WCA36)		753	2
LSK1842RW (WCA42)		967	3

Pull-out 7-Hook Cookware Organizer

- Solid maple construction
- Removable zinc metal hooks
- Mounts to bottom of spreader and cabinet back
- 100lb weight capacity
- Loose only



Unit size: 4-1/4" W x 3" H x 22-1/2" D
(5"H with hooks)

Cabinet requirements:
Min. D: 24"

	Loose	MSRP
P7HKC		732

Additional Pull-outs Available

See the cabinet sections for more organizational solutions:

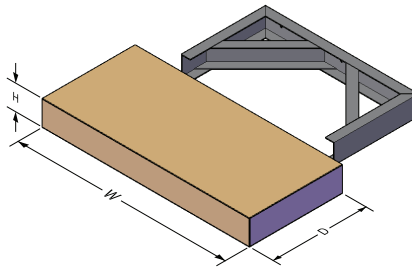
Walls	Bases & Full Bases	Full Vanities	Talls
<ul style="list-style-type: none"> • Wall Pantry • Organizer SS • Filler Spice Rack 	<ul style="list-style-type: none"> • Base Pantry • Filler Spice Rack • Filler Organizer SS • Waste Container 	<ul style="list-style-type: none"> • Swing-out Pantry • Blind Corner Optimizer 	<ul style="list-style-type: none"> • Pull-out organizer • Appliance pull-out • Filler Storage • Filler Organizer • Utility Trays

<< Intentionally Blank >>

Accessories - Floating Shelves

Floating Shelves - Wood or Laminate

- Mounts flush to wall for a sleek, clean look
- Standard and Custom sizes available in Wood or Laminate construction
- Standard sized shelves: Include bracket(s)
- Bracket: Heavy duty steel with 16" OC mounting holes (screws not included)
 - Must be secured to solid wood framing in order to achieve weight rating
- Weight rating for standard shelves only:
21" - 36" W = 50 lbs | 42" - 60" W = 100 lbs



Laminate Shelf Construction:

- For Exotic Wood, Greenlam, HPL & TSS door styles
- Top/Bottom: 1/2" thick plywood
- Front/Ends: 1/2" thick plywood
- Butt joint assembly and laminated surfaces
- Strata doors: shelf matches vertical stiles of door

HPL Note: A fine black edge may be visible where top, bottom, front and sides meet. It is the laminate backer commonly used with these materials

For Thermofoil door styles order:

- White = HPL 1573 Frosty White
- Crème = HPL D403-60 White Sand

Wood Shelf Construction:

- For wood door style, except Exotic Wood Veneer
- Top/Bottom: 1/2" thick veneer plywood
- Front/Ends: 3/4" solid wood
 - PBD will be used on RWO orders

Note: Clear material is provided with rustic wood orders

Custom Shelf Size Limits	
Width	12" - 96" (1/4" increments)
Height	1-1/2" - 3" (1/4" increments)
Depth	6" - 12" (1/4" increments)
Custom Shelf Pricing	
Price is MSRP per square inch (W x D)	
1. Round fractions to next whole number	
2. Multiply results by square inch price	

Custom Shelf	Sq. Inch
FS	.95

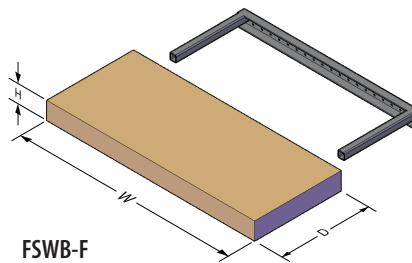
*Specify W x H x D
Brackets not included

Standard Shelves	MSRP
FS21WB	575
FS24WB	586
FS27WB	634
FS30WB	644
FS33WB	655
FS36WB	701
FS42WB	891
FS48WB	909
FS54WB	997
FS60WB	1015

SIZE: 2-3/4" H x 10-3/4" D
Callout indicates shelf width

Floating Shelves - Super Matte and High Gloss Foil

- Foil-wrapped MDF
- Miter fold construction
- Includes steel mounting bracket with 1" OC mounting holes, attachment screws and instructions
- Weight rating: 10 lbs per lineal foot
- No height or depth modifications
- **Not available:** Fahrenheit HG Acrylic door style

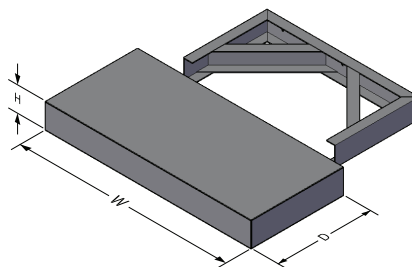


Width	MSRP
24"	586
24-1/4" - 36"	791
36-1/4" - 48"	1055
48-1/4" - 60"	1172
60-1/4" - 72"	1319

SIZE: 2" H x 10" D
Width 24" - 72" (in 1/4" increments)
Callout indicates shelf width
Ex: FSWB-F38.25

Floating Shelves - Stainless Steel

- Full wrapped stainless steel shelf mounts flush to wall with concealed steel brackets
- Faces are 20 gauge 304 stainless steel with #4 brushed finish; corners are hand-welded
- Front and sides wrap over (stainless steel) bottom, are welded approx. 1/2" from edges
- Steel inner bracket connects to wall; floating shelf slides over bracket and locks into place
- Removable peel coat should be left on until installation is complete
- Weight rating on stainless shelves:
18" - 36" W = 50 lbs | 42" - 60" W = 100 lbs



IMPORTANT: Weight must be distributed evenly and hardware must be secured to solid wood framing in order to achieve posted weight ratings for shelves that include bracket and hardware

Stainless Shelves	MSRP
FS18SS	855
FS24SS	1004
FS30SS	1081
FS36SS	1229
FS42SS	1889
FS48SS	2126
FS60SS	2465

SIZE: 2-1/2" H x 10" D
Callout indicates shelf width

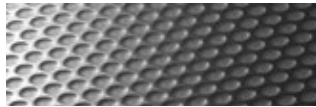
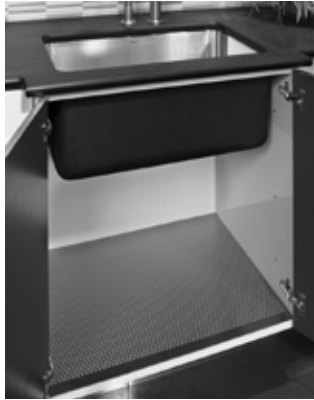
Accessories

<< Intentionally Blank >>

Accessories - Miscellaneous

Sink Cabinet Floor Liner

- Flexible liner made of grey/stainless colored polystyrene
- Designed to prevent damage to cabinet floor by collecting liquid spills in unique dimples
- No modifications (may be cut on site with table saw)



Size: 3/32" thick x 45-1/2" W x 24-5/8" D

LNRSS	MSRP
	271

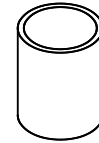
STAIN, LACQUER AND TOUCH-UP

13 oz Clear lacquer aerosol



LAQ-STD	Std Gloss	MSRP
90		
LAQ-MAT	Matte Gloss	MSRP
90		

Quart of Stain or Paint



QST	1 Quart Stain	MSRP
105		
QPT	1 Quart Paint	MSRP
105		

Color determined by order header

13 oz aerosol of paint



-AERO	Paint	MSRP
		90

Specify paint color -AERO

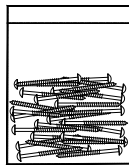
MISCELLANEOUS HARDWARE

Plastic Screw Caps (50 per bag)



CAPS-W	(White)	MSRP
20		
CAPS-LB	(Light Brown)	MSRP
20		

Installation Screws (70 per bag)
Connector Screws (50 per bag)



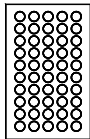
Loose	MSRP
SCREWS-I	20
SCREWS-C	70



NOTE

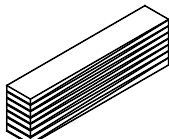
Quarts of color (QST, QPT), Aerosol lacquer and Aerosol paint are for touch-up purposes only. They will not provide a consistent match to factory-finished product if applied to unfinished material. **Not available** with Pick-Your-Paint program. Contact customer service for information about matching stains and paints.

Clear Bumper Pads (50 per sheet)



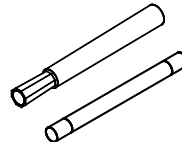
PADS	MSRP
8	

Wood Installation Shims (bundle)



SHIMS	MSRP
19	

Stain or Paint pen and putty stick



TUK	Touch-up Kit	MSRP
98		

Color determined by order header



NOTE

Colors that receive paint pen only:

Ash	Fog	Mojave	Snowcap
Black	Frosty	Navy	Summer Cloud
Chambray	Granite	Olive	Thunder
Eggshell	Ivory	Smoke	Pick Your Paint

HIGH GLOSS POLISH KIT

- Polishing kit for Foil door styles
- Light abrasions and swirls may be removed from the high gloss surface (see foil door general info pages)

Loose	MSRP
HGPOLKIT	327

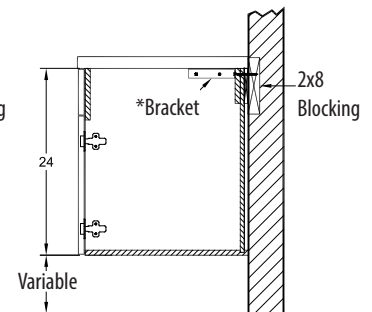
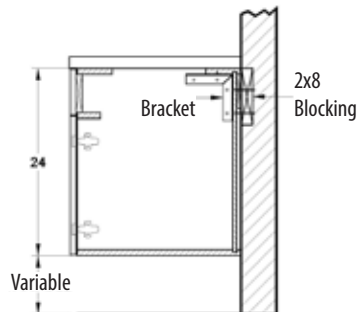
Vanity Wall Hung Support Bracket

- 6" x 6", white powder coated, 12 gauge steel
- Wood screws included for mounting
- Optional support for wall mounting 21" deep vanity cabinets



Installation Requirements (onsite):

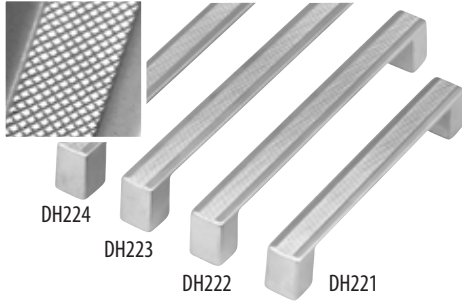
- Minimum two brackets per cabinet
- Must install 2x8 blocking between wall framing prior to cabinet installation
- Install brackets vertically or horizontally to top, inside back corner of cabinet
- Use (6) #8 x 5/8" screws to fasten brackets to cabinet end panel and top shelf
- Use (2) #8 x 3" screws to fasten brackets through cabinet back and into the 2x8 wall blocking



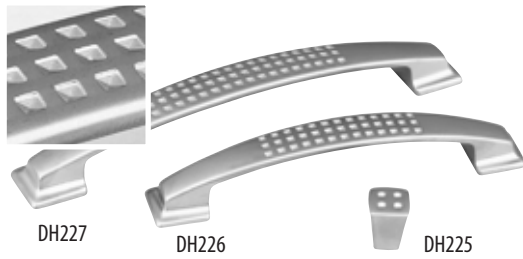
Loose	MSRP
VWH-BRKT	135

* On sink applications, wall hung vanity support brackets mount horizontally

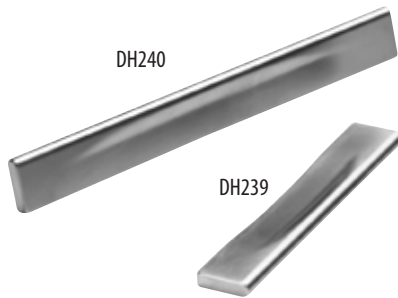
Accessories - Decorative Hardware (Contemporary Collections)



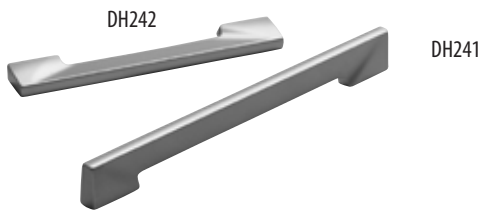
Item	Type	Finish	Drill C/C	Overall Length	Projection	Base Width	MSRP
DH221-15	Pull	Satin Nickel	5-1/16	5-3/8	7/8	5/8 x 1/2	70
DH222-15	Pull	Satin Nickel	6-5/16	6-3/4	7/8	5/8 x 1/2	76
DH223-15	Pull	Satin Nickel	7-9/16	8-1/8	7/8	5/8 x 1/2	83
DH224-15	Pull	Satin Nickel	12-5/8	13-1/8	7/8	5/8 x 1/2	137



Item	Type	Finish	Drill C/C	Overall Length	Projection	Base Width	MSRP
DH225-15	Knob	Satin Nickel	N/A	5/8 x 5/8	7/8	3/8	39
DH226-15	Pull	Satin Nickel	5-1/16	6	1	7/8 x 7/8	70
DH227-15	Pull	Satin Nickel	6-5/16	7-1/4	1	7/8 x 7/8	76



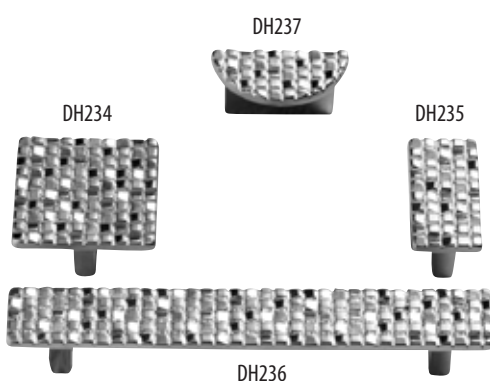
Item	Type	Finish	Drill C/C	Overall Length	Projection	Base Width	MSRP
DH239-15	Pull	Satin Nickel	3-3/4 or 5-1/16	5-1/2	7/8	1/4	76
DH240-15	Pull	Satin Nickel	6-5/16 or 7-9/16	8	7/8	1/4	90
DH239-MB	Pull	Matte Black	3-3/4 or 5-1/16	5-1/2	7/8	1/4	76
DH240-MB	Pull	Matte Black	6-5/16 or 7-9/16	8	7/8	1/4	90




Item	Type	Finish	Drill C/C	Overall Length	Projection	Base Width	MSRP
DH241-M26	Pull	Matte Chrome	3-3/4 or 5-1/16	5-1/2	7/8	3/8	70
DH242-M26	Pull	Matte Chrome	6-5/16 or 7-9/16	8	7/8	3/8	76

Photos may not accurately represent product. Please view a sample prior to placing an order.

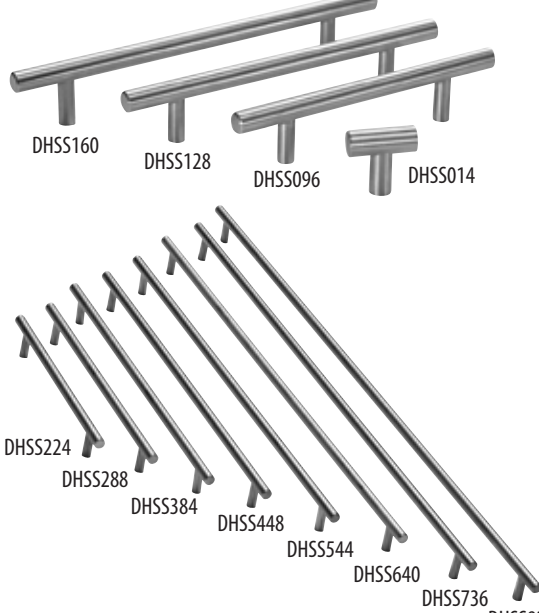
Accessories - Decorative Hardware (Contemporary Collections)



Item	Type	Finish	Drill C/C	Overall Length	Projection	Base Width	MSRP
DH234-15	Knob	Satin Nickel	1-1/4	1-7/8 x 1-7/8	7/8	3/8 x 1-5/8	70
DH235-15	Knob	Satin Nickel	1-1/4	1-7/8 x 1	7/8	3/8 x 1-5/8	70
DH236-15	Pull	Satin Nickel	5-1/16	6-1/2 x 1	1	1/2 x 1/4	76
DH237-15	Knob	Satin Nickel	1-1/4	1-7/8 x 1	7/8	3/8 x 1-5/8	63
DH234-26	Knob	Polish Chrome	1-1/4	1-7/8 x 1-7/8	7/8	3/8 x 1-5/8	70
DH235-26	Knob	Polish Chrome	1-1/4	1-7/8 x 1	7/8	3/8 x 1-5/8	70
DH236-26	Pull	Polish Chrome	5-1/16	6-1/2 x 1	1	1/2 x 1/4	76
DH237-26	Knob	Polish Chrome	1-1/4	1-7/8 x 1	7/8	3/8 x 1-5/8	63
DH234-FAB	Knob	Antique Bronze	1-1/4	1-7/8 x 1-7/8	7/8	3/8 x 1-5/8	70
DH235-FAB	Knob	Antique Bronze	1-1/4	1-7/8 x 1	7/8	3/8 x 1-5/8	70
DH236-FAB	Pull	Antique Bronze	5-1/16	6-1/2 x 1	1	1/2 x 1/4	76
DH237-FAB	Knob	Antique Bronze	1-1/4	1-7/8 x 1	7/8	3/8 x 1-5/8	63



Item	Type	Finish	Drill C/C	Overall Length	Projection	Base Width	MSRP
DH876-AN	Knob	Antique Nickel	N/A	1-3/8 dia.	1-1/8	1	54
DH877-AN	Pull	Antique Nickel	4	4-7/8	1-1/4	7/8 x 7/8	63
DH878-AN	Cup Pull	Antique Nickel	3	4-3/8	1-1/4	-	63
DH879-AN	Pull	Antique Nickel	8	8-7/8	1-1/4	7/8 x 7/8	90
DH880-AN	Pull	Antique Nickel	12	13-1/8	1-5/8	1-1/8 x 1-1/8	200
DH876-BBZ	Knob	Brushed Bronze	N/A	1-3/8 dia.	1-1/8	1	54
DH877-BBZ	Pull	Brushed Bronze	4	4-7/8	1-1/4	7/8 x 7/8	63
DH878-BBZ	Cup Pull	Brushed Bronze	3	4-3/8	1-1/4	-	63
DH879-BBZ	Pull	Brushed Bronze	8	8-7/8	1-1/4	7/8 x 7/8	90
DH880-BBZ	Pull	Brushed Bronze	12	13-1/8	1-5/8	1-1/8 x 1-1/8	200
DH876-EBZ	Knob	Empire Bronze	N/A	1-3/8 dia.	1-1/8	1	54
DH877-EBZ	Pull	Empire Bronze	4	4-7/8	1-1/4	7/8 x 7/8	63
DH878-EBZ	Cup Pull	Empire Bronze	3	4-3/8	1-1/4	-	63
DH879-EBZ	Pull	Empire Bronze	8	8-7/8	1-1/4	7/8 x 7/8	90
DH880-EBZ	Pull	Empire Bronze	12	13-1/8	1-5/8	1-1/8 x 1-1/8	200



Item	Type	Finish	Drill C/C	Overall Length	Projection	Base Width	MSRP
DHSS014	"T" Knob	Stainless Steel	N/A	1-3/8	1-3/8	1/2	44
DHSS096	Bar Pull	Stainless Steel	3-3/4	6-1/8	1-3/8	1/2	78
DHSS128	Bar Pull	Stainless Steel	5-1/16	7-3/8	1-3/8	1/2	81
DHSS160	Bar Pull	Stainless Steel	6-5/16	8-5/8	1-3/8	1/2	88
DHSS224	Bar Pull	Stainless Steel	8-13/16	11-1/8	1-3/8	1/2	105
DHSS288	Bar Pull	Stainless Steel	11-5/16	13-3/4	1-3/8	1/2	112
DHSS384	Bar Pull	Stainless Steel	15-1/8	17-1/2	1-3/8	1/2	137
DHSS448	Bar Pull	Stainless Steel	17-5/8	20	1-3/8	1/2	149
DHSS544	Bar Pull	Stainless Steel	21-7/16	23-3/4	1-3/8	1/2	175
DHSS640	Bar Pull	Stainless Steel	25-3/16	27-1/2	1-3/8	1/2	192
DHSS736	Bar Pull	Stainless Steel	29	31-3/8	1-3/8	1/2	217
DHSS832	Bar Pull	Stainless Steel	32-3/4	35-1/8	1-3/8	1/2	229

Photos may not accurately represent product. Please view a sample prior to placing an order.

Accessories - Decorative Hardware (Contemporary Collections)

Item	Type	Finish	Drill C/C	Overall Length	Projection	Base Width	MSRP
DHSS010	Knob	Stainless Steel	N/A	3/4 dia.	1-1/8	3/4	51
DHSS012	Knob	Stainless Steel	N/A	1-3/16 dia.	7/8	3/4	81
DHSSBOW096	Bow Pull	Stainless Steel	3-3/4	4-1/2	1-1/8	3/8	51
DHSSBOW128	Bow Pull	Stainless Steel	5-1/16	6-1/8	1-1/8	3/8	56
DHSSBOW224	Bow Pull	Stainless Steel	8-13/16	10-1/4	1-1/8	3/8	81
DHSSBOW288	Bow Pull	Stainless Steel	11-5/16	13-1/4	1-1/8	3/8	100

Item	Type	Finish	Drill C/C	Overall Length	Projection	Base Width	MSRP
DHK001	Knob	Aluminum	N/A	5/8 dia.	13/16	5/16	51
DHK005	Knob	Aluminum	N/A	9/16 dia.	7/8	1/2	76
DHK006	Knob	Aluminum	N/A	1 5/16	11/16	3/8	61
DHK007	Knob	Aluminum	N/A	9/16 dia.	7/8	9/16	56
DHK008	Knob	Aluminum	N/A	1 dia.	1 1/16	3/8	109
DHK009	Knob	Aluminum	N/A	11/16 dia.	1	3/8	64

Item	Type	Finish	Drill C/C	Overall Length	Projection	Base Width	MSRP
DHP1-127	Bar Pull	Aluminum	5	7-3/8	1-3/8	1/2	80
DHP1-190	Bar Pull	Aluminum	7-1/2	9-13/16	1-3/8	1/2	97
DHP1-250	Bar Pull	Aluminum	9-13/16	12-3/16	1-3/8	1/2	137
DHP1-380	Bar Pull	Aluminum	14-15/16	17-5/16	1-3/8	1/2	176
DHP1-640	Bar Pull	Aluminum	25-3/16	27-9/16	1-3/8	1/2	254
DHP1-880	Bar Pull	Aluminum	34-5/8	37	1-3/8	1/2	336

Photos may not accurately represent product. Please view a sample prior to placing an order.

Visit the Decorative Hardware section of our website to see color photos:
<http://www.canyoncreek.com/styles-finishes/decorative-options/decorative-hardware/>




Accessories - Decorative Hardware (Advantage Plus Series)

* Please view display board or samples prior to placing an order. Photos may not accurately represent product.

 34MM MSRP DH9362-10VB-P 12 *Display Board 3	 34MM MSRP DH9363-10WN-P 12 *Display Board 3	 34MM MSRP DH9364-1055-P 12 *Display Board 3	 34MM MSRP DH0919-126-P 12 *Display Board 3
 34MM MSRP DH0920-1BPN-P 12 *Display Board 3	 34MM MSRP DH0917-1RG-P 14 *Display Board 3	 34MM MSRP DH0921-1ORBL-P 12 *Display Board 3	 28.5MM MSRP DH1775-110-P 12 *Display Board 2 Rubbed Bronze
 29MM MSRP DH0923-1BBN-P 12 *Display Board 2	 29MM MSRP DH0925-199-P 12 *Display Board 2 Brushed Nickel	 28.5MM MSRP DH1773-126-P 12 *Display Board 2 Polished Chrome	 29MM MSRP DH9338-10VB-P 10 *Display Board 1
 29MM MSRP DH9339-10WN-P 12 *Display Board 1	 29MM MSRP DH9340-1RGZ-P 12 *Display Board 1	 28.5MM MSRP DH9351-10VB-P 12 *Display Board 2	 28.5MM MSRP DH9352-10WN-P 12 *Display Board 2
 28.5MM MSRP DH1777-1RGZ-P 14 *Display Board 2	 29MM MSRP DH0913-1BPN-P 10 *Display Board 1	 29MM MSRP DH0914-198-P 10 *Display Board 2 Black Nickel	 29MM MSRP DH9429-1BPN-P 12 *Display Board 7
 29MM MSRP DH9430-1026-P 12 *Display Board 7 Polished Chrome	 29MM MSRP DH9431-1055-P 12 *Display Board 7 Black	 31MM MSRP DH9432-4BPN-P 12 *Display Board 7	 31MM MSRP DH9433-4026-P 12 *Display Board 7 Polished Chrome

Accessories - Decorative Hardware (Advantage Plus Series)

* Please view display board or samples prior to placing an order. Photos may not accurately represent product.

 <p>Black</p> <p>31MM MSRP DH9434-4055-P 12 *Display Board 7</p>	 <p>29MM MSRP DH1759-1RGZ-P 14 *Display Board 1</p>	 <p>29MM MSRP DH1756-1BPN-P 12 *Display Board 1</p>	 <p>29MM MSRP DH9337-10WN-P 12 *Display Board 1</p>																								
 <p>29MM MSRP DH9336-10VB-P 12 *Display Board 1</p>	 <p>1-1/8" MSRP DH9374-10VB-P 19 *Display Board 5</p>	 <p>1-1/8" MSRP DH9375-1BPN-P 19 *Display Board 5</p>	 <p>1-1/8" MSRP DH9376-10WN-P 19 *Display Board 5</p>																								
 <p>1-1/8" MSRP DH9380-10VB-P 19 *Display Board 5</p>	 <p>1-1/8" MSRP DH9381-1BPN-P 19 *Display Board 5</p>	 <p>1-1/8" MSRP DH9382-10WN-P 19 *Display Board 5</p>	 <p>Matte Black</p> <p>1-5/16" MSRP DH0935-155-P 12 *Display Board 4</p>																								
 <p>1-5/16" MSRP DH0931-1BPN-P 12 *Display Board 4</p>	 <p>1-5/16" MSRP DH9366-10WN-P 12 *Display Board 4</p>	 <p>1-5/16" MSRP DH0934-1RG-P 14 *Display Board 4</p>	 <p>1-5/16" MSRP DH9365-10VB-P 12 *Display Board 4</p>																								
 <p>31MM MSRP DH0954-1BBN-P 20 *Display Board 4</p>	 <p>31MM MSRP DH0955-1BPN-P 19 *Display Board 4</p>	<table border="1"> <tbody> <tr> <td>BBN</td> <td>Brushed Black Nickel</td> <td>WN</td> <td>Weathered Nickel</td> </tr> <tr> <td>BPN</td> <td>Brushed Polished Nickel</td> <td colspan="2">* Indicated next to image:</td> </tr> <tr> <td>ORB</td> <td>Oil Rubbed Bronze</td> <td colspan="2">Black or Matte Black</td> </tr> <tr> <td>RG</td> <td>Rust Glaze</td> <td colspan="2">Black Nickel</td> </tr> <tr> <td>RGZ</td> <td>Black w/Rust Glaze</td> <td colspan="2">Polished Chrome</td> </tr> <tr> <td>VB</td> <td>Verona Bronze</td> <td colspan="2">Rubbed Bronze</td> </tr> </tbody> </table>		BBN	Brushed Black Nickel	WN	Weathered Nickel	BPN	Brushed Polished Nickel	* Indicated next to image:		ORB	Oil Rubbed Bronze	Black or Matte Black		RG	Rust Glaze	Black Nickel		RGZ	Black w/Rust Glaze	Polished Chrome		VB	Verona Bronze	Rubbed Bronze	
BBN	Brushed Black Nickel	WN	Weathered Nickel																								
BPN	Brushed Polished Nickel	* Indicated next to image:																									
ORB	Oil Rubbed Bronze	Black or Matte Black																									
RG	Rust Glaze	Black Nickel																									
RGZ	Black w/Rust Glaze	Polished Chrome																									
VB	Verona Bronze	Rubbed Bronze																									
 <p>31MM MSRP DH0956-1ORB-P 19 *Display Board 4</p>	 <p>31MM MSRP DH0957-1RG-P 20 *Display Board 4</p>	 <p>31MM MSRP DH9372-10VB-P 19 *Display Board 4</p>	 <p>2" T-Bar MSRP DH9435-2BPN-P 12 *Display Board 7</p>																								
























Accessories - Decorative Hardware (Advantage Plus Series)

* Please view display board or samples prior to placing an order. Photos may not accurately represent product.

 <p>1-7/16" MSRP DH9426-1BPN-P 12 *Display Board 6</p>	<p>Polished Chrome</p>  <p>1-7/16" MSRP DH9427-1026-P 12 *Display Board 6</p>	<p>Black</p>  <p>1-7/16" MSRP DH9428-1055-P 12 *Display Board 6</p>	 <p>2-3/8" x 1-13/16" MSRP DH9389-10WN-P 22 *Display Board 5</p>																								
 <p>2-3/8" x 1-13/16" MSRP DH9390-10VB-P 22 *Display Board 5</p>	 <p>2-3/8" x 1-13/16" MSRP DH9391-1BPN-P 22 *Display Board 5</p>	<table border="1"> <tr> <td>BBN</td> <td>Brushed Black Nickel</td> <td>WN</td> <td>Weathered Nickel</td> </tr> <tr> <td>BPN</td> <td>Brushed Polished Nickel</td> <td colspan="2">* Indicated next to image:</td> </tr> <tr> <td>ORB</td> <td>Oil Rubbed Bronze</td> <td colspan="2">Black or Matte Black</td> </tr> <tr> <td>RG</td> <td>Rust Glaze</td> <td colspan="2">Black Nickel</td> </tr> <tr> <td>RGZ</td> <td>Black w/Rust Glaze</td> <td colspan="2">Polished Chrome</td> </tr> <tr> <td>VB</td> <td>Verona Bronze</td> <td colspan="2">Rubbed Bronze</td> </tr> </table>		BBN	Brushed Black Nickel	WN	Weathered Nickel	BPN	Brushed Polished Nickel	* Indicated next to image:		ORB	Oil Rubbed Bronze	Black or Matte Black		RG	Rust Glaze	Black Nickel		RGZ	Black w/Rust Glaze	Polished Chrome		VB	Verona Bronze	Rubbed Bronze	
BBN	Brushed Black Nickel	WN	Weathered Nickel																								
BPN	Brushed Polished Nickel	* Indicated next to image:																									
ORB	Oil Rubbed Bronze	Black or Matte Black																									
RG	Rust Glaze	Black Nickel																									
RGZ	Black w/Rust Glaze	Polished Chrome																									
VB	Verona Bronze	Rubbed Bronze																									
<p>Polished Chrome</p>  <p>3" MSRP DH0971-126-P 10 *Display Board 2</p>	<p>Black Nickel</p>  <p>3" MSRP DH0972-198-P 10 *Display Board 2</p>	 <p>3" MSRP DH0973-1BPN-P 10 *Display Board 2</p>	<p>Rubbed Bronze</p>  <p>3" MSRP DH1733-110-P 10 *Display Board 2</p>																								
 <p>3" MSRP DH1735-1RGZ-P 12 *Display Board 2</p>	 <p>3" MSRP DH9355-10VB-P 10 *Display Board 2</p>	 <p>3" MSRP DH9356-10WN-P 10 *Display Board 2</p>	 <p>96MM MSRP DH9383-10VB-P 19 *Display Board 5</p>																								
 <p>96MM MSRP DH9384-1BPN-P 19 *Display Board 5</p>	 <p>96MM MSRP DH9385-10WN-P 11 *Display Board 5</p>	 <p>96MM MSRP DH9392-10VB-P 22 *Display Board 5</p>	 <p>96MM MSRP DH9393-1BPN-P 22 *Display Board 5</p>																								
 <p>96MM MSRP DH9394-10WN-P 22 *Display Board 5</p>	 <p>3" MSRP DH0922-1BBN-P 14 *Display Board 2</p>	<p>Brushed Nickel</p>  <p>3" MSRP DH0924-199-P 12 *Display Board 2</p>	<p>Polished Chrome</p>  <p>3" MSRP DH1767-126-P 12 *Display Board 2</p>																								

























Accessories - Decorative Hardware (Advantage Plus Series)

* Please view display board or samples prior to placing an order. Photos may not accurately represent product.

 <p>Rubbed Bronze</p> <hr/> <p>3" MSRP DH1769-110-P 12 *Display Board 2</p>	 <hr/> <p>3" MSRP DH1771-1RGZ-P 14 *Display Board 2</p>	 <hr/> <p>3" MSRP DH9353-10VB-P 12 *Display Board 2</p>	 <hr/> <p>3" MSRP DH9354-10WN-P 12 *Display Board 2</p>
 <hr/> <p>3" MSRP DH1786-1BPN-P 12 *Display Board 1</p>	 <hr/> <p>3" MSRP DH1789-1RGZ-P 14 *Display Board 1</p>	 <hr/> <p>3" MSRP DH9342-10VB-P 12 *Display Board 1</p>	 <hr/> <p>3" MSRP DH9343-10WN-P 12 *Display Board 1</p>
 <hr/> <p>3" MSRP DH1738-1BPN-P 12 *Display Board 1</p>	 <hr/> <p>3" MSRP DH1741-1RGZ-P 14 *Display Board 1</p>	 <hr/> <p>3" MSRP DH9344-10VB-P 12 *Display Board 1</p>	 <hr/> <p>3" MSRP DH9345-10WN-P 12 *Display Board 1</p>
 <hr/> <p>3" MSRP DH1744-1BPN-P 12 *Display Board 1</p>	 <hr/> <p>3" MSRP DH1747-1RGZ-P 14 *Display Board 1</p>	 <hr/> <p>3" MSRP DH9346-10VB-P 12 *Display Board 1</p>	 <hr/> <p>3" MSRP DH9350-10WN-P 12 *Display Board 1</p>
 <p>Polished Chrome</p> <hr/> <p>96MM MSRP DH0991-126-P 12 *Display Board 3</p>	 <hr/> <p>96MM MSRP DH0992-1BPN-P 12 *Display Board 3</p>	 <hr/> <p>96MM MSRP DH0993-10RBL-P 12 *Display Board 3</p>	 <hr/> <p>96MM MSRP DH0994-1RG-P 14 *Display Board 3</p>
 <hr/> <p>96MM MSRP DH9357-10VB-P 12 *Display Board 3</p>	 <hr/> <p>96MM MSRP DH9358-10WN-P 12 *Display Board 3</p>	 <p>Matte Black</p> <hr/> <p>96MM MSRP DH9359-1055-P 12 *Display Board 3</p>	





















Accessories - Decorative Hardware (Advantage Plus Series)

* Please view display board or samples prior to placing an order. Photos may not accurately represent product.

 <p>3" MSRP DH9377-10VB-P 22 *Display Board 5</p>	 <p>3" MSRP DH9378-1BPN-P 22 *Display Board 5</p>	 <p>3" MSRP DH9379-10WN-P 22 *Display Board 5</p>	 <p>96MM MSRP DH9403-4BPN-P 15 *Display Board 5</p>
 <p>96MM MSRP DH9404-4026-P 15 *Display Board 5</p>	<p>Black</p>  <p>96MM MSRP DH9405-4055-P 15 *Display Board 5</p>	<p>Brushed Nickel</p>  <p>128MM MSRP DH9406-4BPN-P 22 *Display Board 5</p>	<p>Polished Chrome</p>  <p>128MM MSRP DH9407-4026-P 22 *Display Board 5</p>
<p>Black</p>  <p>128MM MSRP DH9408-4055-P 22 *Display Board 5</p>	 <p>96MM MSRP DH9395-1BPN-P 19 *Display Board 7</p>	<p>Polished Chrome</p>  <p>96MM MSRP DH9396-1026-P 19 *Display Board 7</p>	<p>Black</p>  <p>96MM MSRP DH9397-1055-P 19 *Display Board 7</p>
 <p>128MM MSRP DH9398-1BPN-P 22 *Display Board 7</p>	<p>Polished Chrome</p>  <p>128MM MSRP DH9399-1026-P 22 *Display Board 7</p>	<p>Black</p>  <p>128MM MSRP DH9400-1055-P 22 *Display Board 7</p>	 <p>96MM MSRP DH9409-1BPN-P 19 *Display Board 6</p>
<p>Polished Chrome</p>  <p>96MM MSRP DH9410-1026-P 19 *Display Board 6</p>	<p>Black</p>  <p>96MM MSRP DH9411-1055-P 19 *Display Board 6</p>	 <p>128MM MSRP DH9412-1BPN-P 22 *Display Board 6</p>	<p>Polished Chrome</p>  <p>128MM MSRP DH9413-1026-P 22 *Display Board 6</p>
<p>Black</p>  <p>128MM MSRP DH9414-1055-P 22 *Display Board 6</p>	 <p>96MM MSRP DH9415-1BPN-P 22 *Display Board 6</p>	<p>Polished Chrome</p>  <p>96MM MSRP DH9416-1026-P 22 *Display Board 6</p>	<p>Black</p>  <p>96MM MSRP DH9417-1055-P 22 *Display Board 6</p>





Accessories - Decorative Hardware (Advantage Plus Series)




* Please view display board or samples prior to placing an order. Photos may not accurately represent product.

 <p>96MM MSRP DH9418-4BPN-P 12 *Display Board 7</p>	<p>Polished Chrome</p>  <p>96MM MSRP DH9419-4026-P 12 *Display Board 7</p>	<p>Black</p>  <p>96MM MSRP DH9420-4055-P 12 *Display Board 7</p>	 <p>128MM MSRP DH9423-4BPN-P 17 *Display Board 7</p>																								
<p>Polished Chrome</p>  <p>128MM MSRP DH9424-4026-P 17 *Display Board 7</p>	<p>Black</p>  <p>128MM MSRP DH9425-4055-P 17 *Display Board 7</p>	 <p>96MM MSRP DH9401-2BPN-P 19 *Display Board 7</p>	 <p>128MM MSRP DH9402-2BPN-P 22 *Display Board 7</p>																								
<table border="1"> <tr> <td>BBN</td> <td>Brushed Black Nickel</td> <td>WN</td> <td>Weathered Nickel</td> </tr> <tr> <td>BPN</td> <td>Brushed Polished Nickel</td> <td colspan="2">* Indicated next to image:</td> </tr> <tr> <td>ORB</td> <td>Oil Rubbed Bronze</td> <td colspan="2">Black or Matte Black</td> </tr> <tr> <td>RG</td> <td>Rust Glaze</td> <td colspan="2">Black Nickel</td> </tr> <tr> <td>RGZ</td> <td>Black w/Rust Glaze</td> <td colspan="2">Polished Chrome</td> </tr> <tr> <td>VB</td> <td>Verona Bronze</td> <td colspan="2">Rubbed Bronze</td> </tr> </table>		BBN	Brushed Black Nickel	WN	Weathered Nickel	BPN	Brushed Polished Nickel	* Indicated next to image:		ORB	Oil Rubbed Bronze	Black or Matte Black		RG	Rust Glaze	Black Nickel		RGZ	Black w/Rust Glaze	Polished Chrome		VB	Verona Bronze	Rubbed Bronze		 <p>3" MSRP DH0944-1BBN-P 17 *Display Board 4</p>	 <p>3" MSRP DH0945-1BPN-P 19 *Display Board 4</p>
BBN	Brushed Black Nickel	WN	Weathered Nickel																								
BPN	Brushed Polished Nickel	* Indicated next to image:																									
ORB	Oil Rubbed Bronze	Black or Matte Black																									
RG	Rust Glaze	Black Nickel																									
RGZ	Black w/Rust Glaze	Polished Chrome																									
VB	Verona Bronze	Rubbed Bronze																									
 <p>3" MSRP DH0946-1ORB-P 15 *Display Board 4</p>	 <p>3" MSRP DH0947-1RG-P 17 *Display Board 4</p>	 <p>3" MSRP DH9373-10VB-P 15 *Display Board 4</p>	 <p>3" MSRP DH9367-10VB-P 19 *Display Board 4</p>																								
 <p>3" MSRP DH9368-1BPN-P 19 *Display Board 4</p>	 <p>3" MSRP DH9369-10WN-P 19 *Display Board 4</p>	<p>Black</p>  <p>3" MSRP DH9370-1055-P 19 *Display Board 4</p>	 <p>3" MSRP DH9371-1RGZ-P 20 *Display Board 4</p>																								
 <p>3" MSRP DH9387-1BPN-P 19 *Display Board 5</p>	 <p>3" MSRP DH9388-10WN-P 19 *Display Board 5</p>	 <p>3" MSRP DH9386-10VB-P 19 *Display Board 5</p>																									

Accessories - Decorative Hardware (Advantage Plus Series)

* Please view display board or samples prior to placing an order. Photos may not accurately represent product.

 <p>Polished Chrome</p> <p>64MM MSRP DH0961-126-P 12 *Display Board 3</p>	 <p>64MM MSRP DH0963-1BPN-P 12 *Display Board 3</p>	 <p>64MM MSRP DH0964-1ORB-P 12 *Display Board 3</p>	 <p>64MM MSRP DH0966-1RG-P 14 *Display Board 3</p>
--	--	---	---

 <p>Matte Black</p> <p>64MM MSRP DH0967-155-P 12 *Display Board 3</p>	 <p>64MM MSRP DH9360-10VB-P 12 *Display Board 3</p>	 <p>64MM MSRP DH9361-10WN-P 12 *Display Board 3</p>	
--	--	---	--

BBN	Brushed Black Nickel	WN	Weathered Nickel
BPN	Brushed Polished Nickel	* Indicated next to image:	
ORB	Oil Rubbed Bronze	Black or Matte Black	
RG	Rust Glaze	Black Nickel	
RGZ	Black w/Rust Glaze	Polished Chrome	
VB	Verona Bronze	Rubbed Bronze	

Visit the Decorative Hardware section of our website to see color photos:
<http://www.canyoncreek.com/styles-finishes/decorative-options/decorative-hardware/>

Modifications - General Information

Modifications allow freedom and flexibility when designing and help simplify the ordering process. We encourage the use of standard products with modifications, as they are automatically configured by our computer system. If an item is needed that cannot be accomplished by using standard cabinets, accessories and modifications, it is necessary to submit a Special Product Request (**SPR**). Guidelines for using our Special Product Request program may be found on the reverse side of the **SPR** form. (Forms section)

Modifications Available

- Cabinets and Accessories: width, height and depth
- Cabinet: box, exterior and interior
- Door modifications
- Drawer: front, box and guide
- Modification limits and or exceptions (if applicable) are listed on the individual cabinet and accessories specification pages
- Pricing varies per modification, please read pricing notes carefully

Always Reduce

- For a non-standard size, select the next standard size larger and reduce
- If a larger, standard sized cabinet is not available, then increase the largest standard size to the desired size (Extrapolation required)

HOW TO REDUCE				
Cabinet +	"-"	Reduce W,	Reduce H,	Reduce D
W3036	-	RW29,	RH34,	RD9

- For a Wall cabinet 29" W x 34" H x 9" D

HOW TO INCREASE				
Cabinet +	"-"	Increase W,	Increase H,	Increase D
BT15L	-	IW18,	IH40,	ID27

- For a Base Tray cabinet 18" W x 40" H x 27" D (Extrapolation required)

Extrapolation

- When increasing width or height of a cabinet, standard MSRP must be extrapolated to adjust incrementally to new size, before adding a size modification charge
- Use single extrapolation formula when increasing one dimension
- Use double extrapolation formula when increasing both width and height
- **NOTE:** All modification charges and/or percentage up-charges are added to new extrapolated MSRP

SINGLE EXTRAPOLATION		
Cabinet +	"-"	Increase W
BT15L	-	IW18

$$(\text{Base price} \div W) \times IW = \text{Extrapolated price} + \text{size mod charge} = \text{Total}$$

$$(\$767 \div 15) \times 18 = \$920 + \$254 = \underline{\$1174}$$

DOUBLE EXTRAPOLATION			
Cabinet +	"-"	Increase W,	Increase H
BT15L	-	IW18,	IH40

- First extrapolate width, then figure height from extrapolated width price
 1. $(\text{Base price} \div W) \times IW = \text{Extrapolated W price}$
 2. $(\text{Extrpltd W} \div H) \times IH = \text{Extrapolated IW, IH price} + \text{size mod charge} = \text{Total}$
 $(\$767 \div 15) \times 18 = \$920, (\$920 \div 34 - 1/2) \times 40 = \$1067 + \$254 = \underline{\$1321}$

Identifying Door & Drawer Locations

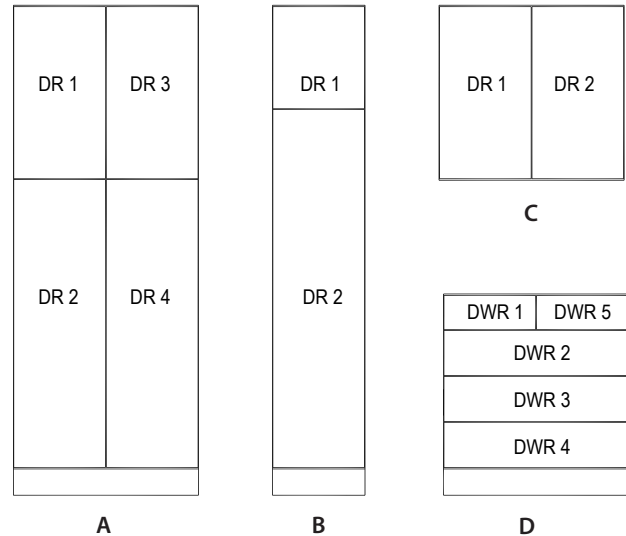
- All door, drawer front and drawer guide modifications may be assigned specific locations on a cabinet
- Using graphics at right, add a number after nomenclature to designate
- Always number from top to bottom, then left to right
- Doors are counted separately from drawer fronts
- No designation = mod is applied to all applicable doors, fronts or drawers

Clarifications

- Double-Entry (_DE) – Left to right on front, then left to right on back
- Wall Corner Angle Double-Entry (WCADE) – Single angled door, then back door
- Wardrobe Storage (WS) – Openings count as doors

Examples

- A: P3096x12 - RFG 1 (Only the top LH door will be RFG)
- B: U1596x24 - MGD 2 (Lower door will be mullion grid)
- C: W3636 - RFG (All doors will be RFG)
- D: B4D36 - 2FFT (Top drawers become false fronts)



- 20-20 Designers: Identify upper and lower doors with 'U' or 'L' following glass option (Example: RFG-U = upper doors | RFG-L = lower doors)

We reserve the right to change design, specifications, materials and pricing without prior notice

Modifications - Width & Height

Cabinet Width & Height Modifications

General guidelines:

- When modifying a cabinet size, always reduce when possible
- Width and height modifications are made in 1/4" increments
- Apply reduction mods to next largest cabinet with same configuration
- Always apply width and/or height size mods before any other modification that affects width or height of cabinet box (see examples below)
- Height modifications are applied to door area on upper and lower cabinets with door or door/drawer configuration
- Size limits vary and depend on cabinet configuration
- Refer to individual cabinet specifications for size limits and any exceptions to general guidelines
- Size mod charge is per box (not per modification)

Extrapolation:

- When increasing width and or height of a cabinet, apply mod to largest available standard cabinet with same configuration
- Use single or double extrapolation formula to figure new MSRP, then add size mod charge (see pg M-1)

Exceptions:

- Width modifications are not available for corner cabinets
- Increase Height (IH) not available on Tall cabinets

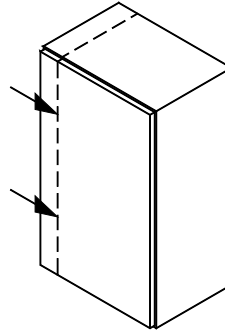
Reduce Height Modifications:

- Drawer stacked cabinet reductions are taken equally from both drawers of a 2D and lower two drawers of 3D and 4D cabinets
- Height of top drawer on 3D and top two drawers on 4D cabinets will not change
- Tall cabinet reductions start with upper section until it becomes 12" H, then second section down until desired height or allowed min. height is reached
- Base or vanity cabinets will not receive an adjustable shelf when door height has been reduced to 16-1/2" or less

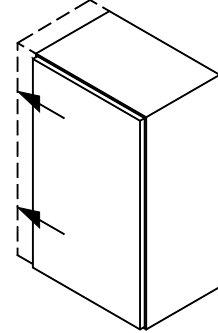
Increase Height Modifications:

- Drawer stacked cabinets equally increase both drawers of a 2D and lower two drawers of 3D and 4D cabinets
- Height of top drawer on 3D and top two drawers on 4D cabinets will not change

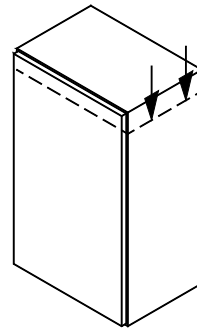
PRICING NOTE	
Size Mods	\$254 MSRP (per box)
One charge applied for one or more: RH, RW, RD, IH, IW, ID	



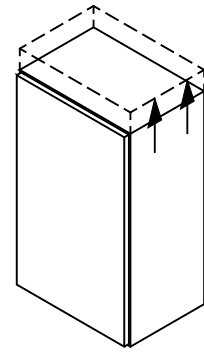
Reduce Width (RW)



Increase Width (IW)



Reduce Height (RH)

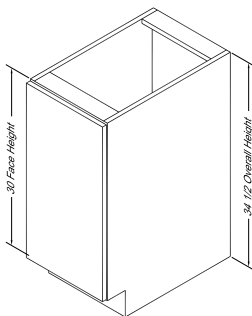


Increase Height (IH)

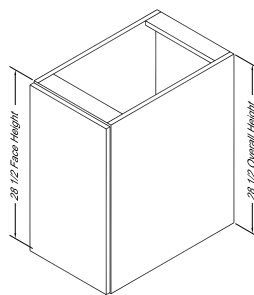
COMBINING HEIGHT MODS

Cabinet	"-"	Reduce H,	Apply Mod
FB15	-	RH33,	NTK

- Overall height was reduced to 28-1/2" (see below)
- Other height mods: NTK, ATK, ERTOP_, ERBOT_ & HE_



Before: FB15



After: FB15, RH to 33, NTK

Modifications - Depth & Accessory

Cabinet Depth Modifications

General guidelines:

- When modifying a cabinet size, always reduce when possible
- Depth modifications are made in 1" increments (no fractions)
- Apply reduction mods to next largest cabinet with same configuration
- Size limits vary and depend on cabinet configuration
- Refer to individual cabinet specifications for applicable size limits and any exceptions to general guidelines
- Size mod charge is per box (not per modification)

Exceptions:

- Depth modifications are not available for corner cabinets

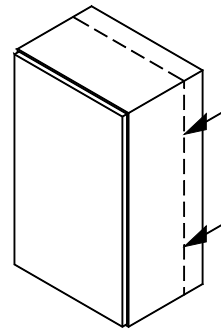
Reduce Depth Modifications:

- 12" minimum depth for any cabinet with drawers
- Most vanities may use **RDV18**, Reduce Depth Vanity to 18", at no charge

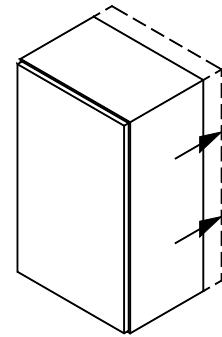
Increase Depth Modifications:

- Fixed and adjustable shelves are adjusted according to depth of cabinet
- When ID modification is deeper than 24"
 - Roll-out trays and drawers will be same depth as if in a 24" D cabinet
 - Cross-members may be added to cabinet to support drawer hardware
- Cabinet price is based on deepest size before the modification charge is applied
 - example 1: W3018 - ID 27" starts at a W3018x24, MSRP + Mod charge
 - example 2: W3018 - ID 15" starts at a W3018x24, MSRP + Mod charge
- Extrapolation not required

PRICING NOTE	
Size Mods	\$254 MSRP (per box)
RDV18	\$0 (vanities only)
One charge applied for one or more: RH, RW, RD, IH, IW, ID	



Reduce Depth (RD)



Increase Depth (ID)

Accessory Size Modifications

- When modifying an accessory size, always reduce when possible
- Modification charge is applied to loose accessories only
 - Installed accessories are priced and configured to fit the specified cabinet configuration
- Refer to individual accessory specifications for size limits, pricing and any exceptions
- Size limits vary for each applicable accessory item
- Size mod charge is per item (not per modification)
- Extrapolation not required

PRICING NOTE	
Size Mods	\$127 MSRP (per item)
One charge applied for one or more: RHA, RWA, RDA, IHA, IWA, IDA	

Reducing size (RWA, RHA or RDA)

- When ordering loose or installed accessories for a non-standard cabinet, select standard size and price of accessories that are large enough to fit the cabinet
- Loose Ex: TEP1.584, RHA80, RDA24 (For a U3686X24, RH80 cabinet)
 - Add modification charge
- Installed Ex: U3684X24, RW34, 1 ea. IRO36

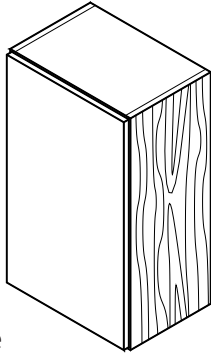
Increasing size (IWA, IHA or IDA)

- Select largest standard size accessory available with same configuration and apply applicable modification
- When ordering loose or installed accessories for a non-standard cabinet, select largest standard size and price of accessories that fit the cabinet
- Loose Ex: BEP1.5, IDA30 (For a B24, ID30 cabinet)
 - Add modification charge

Modifications - Integral Finished Ends, Top & Bottom

Integral Finished End Wall (IFE_)

- Specify Right (R) or Left (L)
- Edge tape on top and bottom of finished side(s) is same as face of box
- **Note:** See pg G-2 to see how cabinet interior will be finished



Price Note:

- Applicable species, finish and/or premium percentage up-charges apply
- **Exotic MSRP:** applies when those materials are ordered (refer to door pages for details)

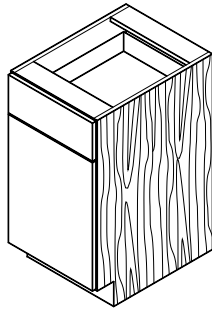
12" W	STD MSRP	EXOTIC WOOD
IFE1212*	92	53
IFE1215*	95	66
IFE1218*	98	78
IFE1221*	103	92
IFE1224*	107	105
IFE1227*	112	119
IFE1230*	115	131
IFE1233*	120	144
IFE1236*	124	158
IFE1239*	129	170
IFE1242*	132	183
IFE12(45 or 48)*	141	210
IFE12(51 or 54)*	154	236
IFE12(57 or 60)*	165	263

*Specify R or L

24" W	STD MSRP	EXOTIC WOOD
IFE2412*	103	105
IFE2415*	107	131
IFE2418*	109	158
IFE2421*	112	183
IFE2424*	115	210
IFE2427*	120	236
IFE2430*	132	263
IFE2433*	137	288
IFE2436*	141	315
IFE2439*	146	341
IFE2442*	149	366
IFE24(45 or 48)*	158	419
IFE24(51 or 54)*	171	471
IFE24(57 or 60)*	181	524

Integral Finished End (IFE_B,M,V) Base, Mid & Vanity

- See notes above
- **Note:** Corner cabinets, which normally feature a void in the back, are not available with IFE (Ex: BSA and FBCC)

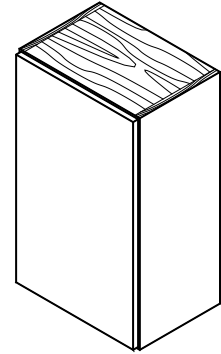


Base	STD MSRP	EXOTIC WOOD
IFE12B*	137	151
IFE18B*	137	226
IFE21B*	149	265
IFE24B*	149	302
Mid-Base		
IFE12M*	137	137
IFE18M*	137	207
IFE21M*	144	241
IFE24M*	144	275
Vanity		
IFE12V*	132	127
IFE18V*	132	192
IFE21V*	137	224
IFE24V*	144	256

*Specify R or L

Integral Finished Top (IFTOP_)

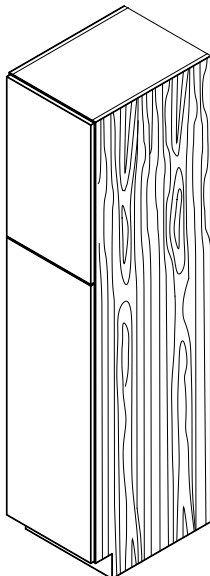
- See notes above
- **Note:** Available on Wall and Tall cabinets only



	STD MSRP	FOIL & TSS
IFTOP	170	332

Integral Finished End Tall (IFE_)

- See notes at top
- 96" H cabinets with standard loose Toekick: IFE will cover cabinet box portion only
- When Attached Toekick (ATK) mod is specified, IFE will cover entire end, including side of Toekick

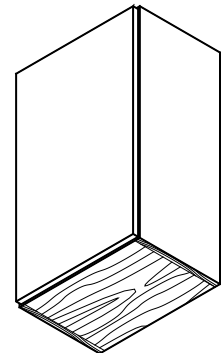


12" W	STD MSRP	EXOTIC WOOD
IFE1272*	198	315
IFE1278*	198	341
IFE1284*	232	366
IFE1290*	232	393
IFE1296*	232	419
21" W		
IFE2184*	290	643
IFE2190*	290	689
IFE2196*	290	734
24" W		
IFE2484*	327	734
IFE2490*	327	787
IFE2496*	327	840

*Specify R or L

Integral Finished Bottom (IFBOT_)

- See notes at top
- **Note:** Available on Wall cabinets only



	STD MSRP	FOIL & TSS
IFBOT	170	332

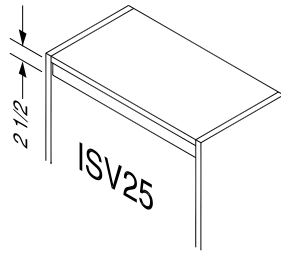
Modifications - Installed Valances

Installed Valances - Top

- Place Straight, Arch, or Country valance at top of cabinet box
- Limited to cabinets without doors or center mullions
- Valance is recessed 1/8" from face and side of cabinet box
- Available on cabinets 15-42" W
- Min. cabinet H: 18" unless noted
- Valances have eased bottom edge unless noted

Price Note:

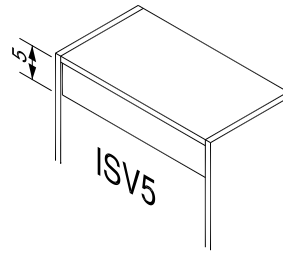
- Price is per cabinet
- Percentage up-charges apply



Installed Straight Valance 2.5"

- 2.5" H straight valance
- Ex: WBC3042, ISV25

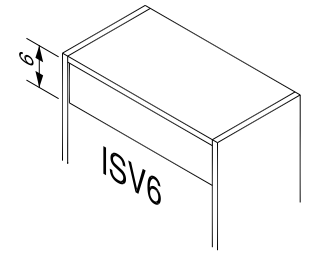
	MSRP
ISV25	190



Installed Straight Valance 5"

- 5" H straight valance
- Ex: WBC3042, ISV5

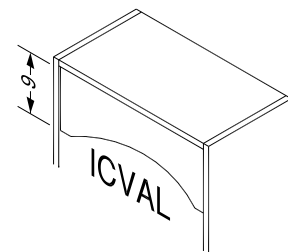
	MSRP
ISV5	237



Installed Straight Valance 6"

- 6" H straight valance
- Ex: WBC3042, ISV6

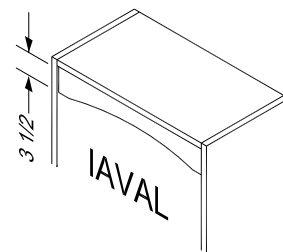
	MSRP
ISV6	246



Installed Country Arch Valance

- 9" H at sides, 6" H in center
- Radius of arc depends on length of valance
- Min. cabinet H: 21"
- Ex: WBC3042, ICVAL

	MSRP
ICVAL	353



Installed Arch Valance

- 3-1/2" H at sides, 2-1/4" H in center
- Radius of arc depends on length of valance
- Min. cabinet H: 15"
- Ex: WBC3042, IAVAL

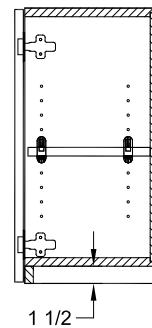
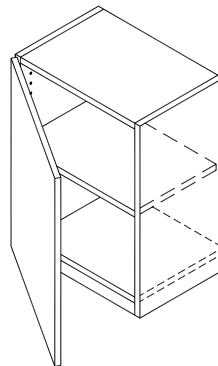
	MSRP
IAVAL	271

Installed Light Valance - Recess Bottom

- Available on wall cabinets only
- Bottom shelf and back of cabinet are recessed by 1-1/2", cabinet ends do not change
- Valance: Installed under shelf, flush with cabinet face and cabinet ends
- Cabinet ends: Interior side may be visible in recessed area
- Finish and species follow cabinet door
- 3/4" thick x 1-1/2" H
- **Not available** with WTK modification

Design Notes:

- If ordering IFBOT option we suggest combining with FMI so interior side of ends will also be finished to match
- Shelf will be visible with Aluminum Frame Doors A01N and A01S



	MSRP
ILV	230

Price is per cabinet
Percentage up-charges apply

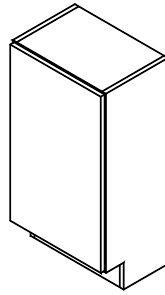
Cabinets NOT available:

Appliance Garage (w/Tambour dr)
Double Entries (_DE)
Display or Plate Display
Letter Organizers or Open Cubby
Microwave (MS, MSC & MUC)
Spice Drawers
Wall w/Drawers
Wall End or Angle Back
Wall End Shelves (WES_)
Wall Hutch (WHC)
Wine Racks (WWRD, WWRX)
Wall w/Vertical Bi-Fold drs

Modifications - Toekicks

Wall Toekick (WTK)

- Add 4-1/2" H by 3-1/2" D Toekick (recessed front) to bottom of a Wall cabinet
- Increases height by 4-1/2"
- When combined with a height mod (RH or IH) the height mod is applied first, then Toekick is added
- Ex: W3030, RH28, WTK
Overall height: 28" + 4-1/2" = 32-1/2"

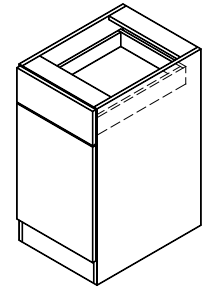


	MSRP
WTK	187

Price is per cabinet

Flush Toekick (FTK_)

- Cabinet ends extend to floor
- Finished to match door
- **Note:** FTKB is available for back of Base Double-Entry (BDE_) cabinets only
- Ex: B18R, FTK

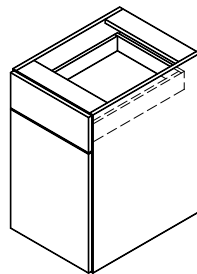


	MSRP
FTK	161
FTKB	161

Price is per cabinet

No Toekick (NTK)

- Remove standard Toekick, reducing overall height by 4-1/2"
- When combined with a height mod (RH or IH) the height mod is applied first, then Toekick is removed
- Ex: B30, IH42, NTK
Overall height: 42" - 4-1/2" = 37-1/2"
- **Not available** with Wall cabinets

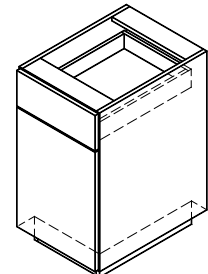


	MSRP
NTK	42

Price is per cabinet

Recessed Toekick (RTK_)

- Add recessed Toekick to Left or Right side of cabinet (in addition to front)
- Order RTKL and RTKR for Toekick recess on both sides
- Ex: B18R, RTKR, RTKL



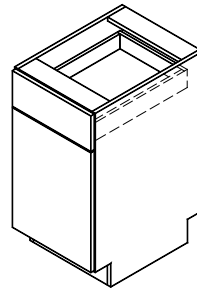
	MSRP	
RTKL	187	Recess Left
RTKR	187	Recess Right

Price is per cabinet

RTKR Shown

Island Toekick (ITK)

- Add recessed Toekick to back of cabinet (in addition to front)
- ITK may be combined with RTKL and/or RTKR modifications
- Ex: B18R, ITK, RTKR

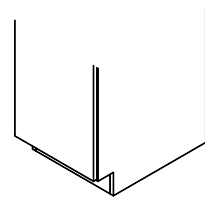


	MSRP
ITK	187

Price is per cabinet

Attach Toekick (ATK)

- Make Toekick an integral part of any cabinet taller than 90" that comes standard with loose Toekick
- When Installed Finished Ends are ordered, Toekick portion will be finished
- Ex: U3696x24, ATK



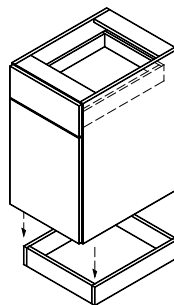
Cabinet over 90" H shown with Installed Finished End

	MSRP
ATK	59

Price is per cabinet

Loose Toekick (LTK)

- Remove Toekick from cabinet and ship loose
- When Installed Finished Ends are ordered, Toekick portion will not be finished
- When combined with a height mod (RH or IH) the height mod is applied first, then Toekick is removed
- Ex: B30 IH42, LTK
Overall height: 42" - 4-1/2" = 37-1/2"
- **Not available** with FTK or WTK modifications or on Wall cabinets



Assembled as shown

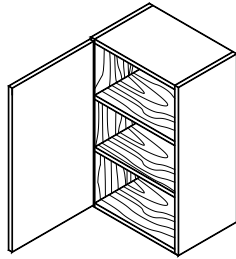
	MSRP
LTK	59

Price is per cabinet

Modifications - Cabinet Box Interior

Finished Interior (FMI_)

- Finished interior to match species and color of door
- Clear Veneer is provided when FMI is applied to Rustic species
- **Not available:** Thermofoil door styles (select White Vinyl interior)
- Ex: W1836L, FMI



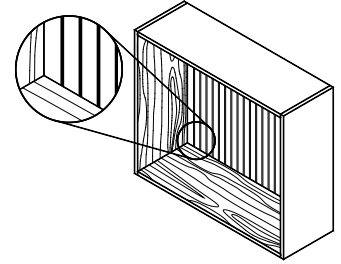
- **Note:** See page G-2 to see exceptions

	MSRP	
FMI	466	Wall, Base, Vanity
FMIT	763	Tall

Price is per cabinet | Percentage up-charges apply

FMI w/Beaded Back (FMI-BIB)

- Finished and beaded back interior match species and color of door
- Clear Veneer used for Rustic species
- Ex: WBC3630, FMI-BIB



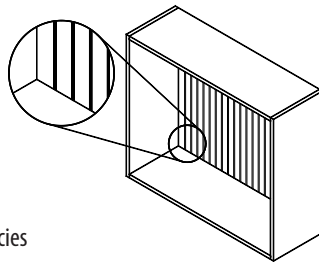
	MSRP	
FMI-BIB	678	Wall, Base, Vanity
FMIT-BIB	1187	Tall

Price is per cabinet | Percentage up-charges apply

NOT AVAILABLE W/BIB:	
Exotic Wood Veneer	
Greenlam	
Black Walnut	
Sapele	VG Fir
TSS	Foil

Beaded Interior Back (BIB_)

- Install wood beaded back of same species and stain color as door
- Rest of cabinet interior (shelves, sides, top and bottom) matches interior selection
- White painted beaded backs provided for Thermofoil
- **Note:** Clear Veneer is used for Rustic species
- Ex: WBC3630, BIB



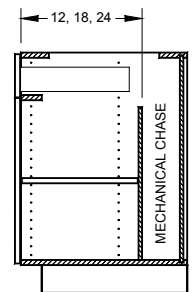
NOT AVAILABLE W/BIB:	
Exotic Wood Veneer	
Greenlam	
Black Walnut	
Sapele	VG Fir
TSS	Foil

	MSRP	
BIB	424	Wall, Base, Vanity
BIBT	721	Tall

Price is per cabinet | Percentage up-charges apply

Mechanical Chase (MC_)

- Install full-height false back 12", 18" or 24" from cabinet face on Base, Mid and Vanity cabinets
- Reduces depth of drawers and drawer hardware
- False back is removable
- May be combined with depth mods
- May **not** be combined with Toekick mods
- **Not available** on corner cabinets, VS_D cabinets, wine rack cabinets and cabinets w/beaded interior back
- Ex: B18R, MC18
- Back of false back: 18" from cabinet face
- **Note:** Cabinet Depth - MC Depth - 1/2" = Clear Space



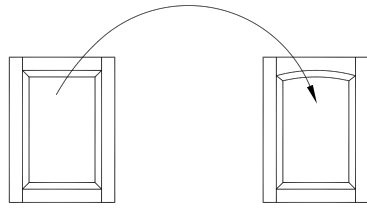
	MSRP
MC12	254
MC18	254
MC24	254

Price is per cabinet

Modifications - Doors

Replace Square Doors w/Arch (ARCH_)

- **ARCHL:** Use for Base, Mid and Vanity cabinets and bottom doors on Tall or Wall Stack Door cabinets
- Ex: VS36, ARCHL



From Square

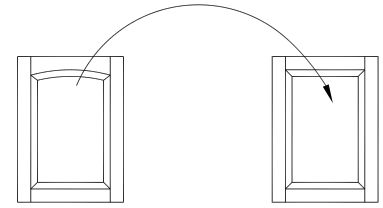
To Roman Arch Door

	MSRP
ARCHL	127
ARCHM	127

Price is per door

Square Upper Arched Lower (SUAL)

- Change upper doors on Wall Stacked Door cabinets to Square and lower doors to Arch
- Available on Wall Stacked Door cabinets only
- Ex: WCAS2460-36L, SUAL



From Roman Arched

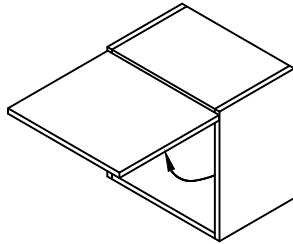
To Square Door

	MSRP
SUAL	127

Price is per door

Hinge Door on Top (HINGETOP)

- Modify existing doors to be hinged on top, swinging from top of cabinet
- Available for all doors on Wall cabinets, or on upper door section of Tall cabinets
- Max. door height: 22"
- Ex: W2118L, HINGETOP

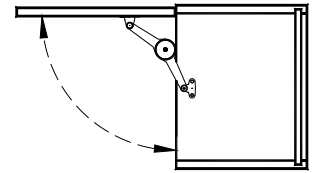


	MSRP
HINGETOP	102

Price is per door

Hinge Door on Top w/Lidstay (HINGETOP-LS_)

- Hinge door on top; install one lidstay on left (L) or right (R) side of opening
- Door locks in position when fully open
- Adjustable brake controls lid closure
- Available for all doors on Wall cabinets, or upper door section of Tall cabinets
- On some door style/size combinations, factory may install lidstays on both sides of door at no additional charge
- Door opens to 90° with 1/4" clearance between face of door and top of cabinet (not including decorative hardware)
- Nickel-plated lidstay mechanism has friction brake that may be adjusted with an allen wrench
- Max. door height: 22"
- Ex: W2118R, HINGETOP-LSR

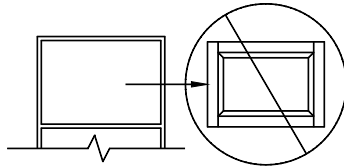


	MSRP
HINGETOP-LS_ (L or R)	348

Price is per door

No Door (NODR)

- Remove ALL or specific door(s)
- Does not change cabinet interior (Order FMI as needed)
- Ex: W3030, NODR = All drs
- Ex: P2496x21L, NODR 1 = Dr 1 only



	MSRP
NODR	0

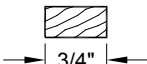
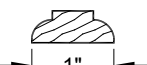




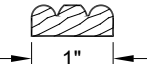
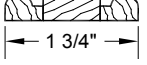
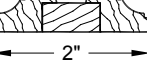

Apply to ALL or specific doors (see pg M-1)

Modifications - Prep for Glass Options

General Information

- Glass and stop are not provided
- Thermofoil "prepped" doors are one-piece construction
- Refer to individual door pages for availability by style
- Mullion grids vary in size according to door style
- Mullion grid profiles in chart below

- **Note:** Applied Moulding doors will have considerably smaller openings than other door styles
- Refer to pg M-1 for instructions about identifying the doors you want a glass option applied to

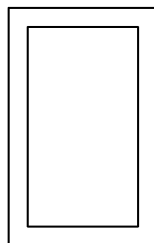
Grid Profile	Mullion Grid Door Styles (MGD, MGDH, MGDN, MGDQ & VT)			
	Catalina Duet/Solid	Normandy/Solid Quattro/Solid	Shaker/Solid/Center Trio/Solid	Valley Forge/Solid
	Aberdeen Brentwood/Solid/Roman	Cape Cod Solid Emerson	Monterey Shalimar/Roman	Stratford/Roman Windsor/Roman
	Canterbury Carlsbad/Solid	Cortina/Solid Garrison	Fairfax Falmouth/Solid	Kingston Solid Ridgecrest
	Equinox/Solid	Lynden/Solid		
	Belmont/Solid			
	Charleston	Chatham/Solid		
	Concord/Solid Coventry	Hampton Houston/Solid	Newport Norwood/Solid	
	Monticello/Solid			
	Gettysburg/Solid	Springwood		
	Mount Vernon			

Rout for Glass (RFG)

- Replace standard door(s) with Rout for Glass door(s)
- Center door styles have vertical center mullion on doors 13-3/16" and wider and are prepped for two pieces of glass

	MSRP
RFG	127

Price per door



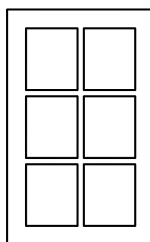
RFG	Width		Height		⁽¹⁾ Center Rail added when height is:
	Min.	Max.	Min.	Max.	
2-1/4" M&T, Mitered, Thermofoil	10"	24"	10"	68"	>52"
3" & 4" M&T & Mitered	10"	24"	16"	68"	
Applied Moulding	10"	24"	10"	68"	

⁽¹⁾ No Center Rail added on Mitered doors

Mullion Grid (MGD)

- Replace standard door(s) with Mullion Grid door(s)
- Number of grids depends on door height (see chart)

Door Height	# of Grids
16" – 27"	4
>27" – 38"	6
>38" – 60"	8
>60" – 68"	12



	MSRP	
MGD	373	
MGD	466	Mitered

Price per door

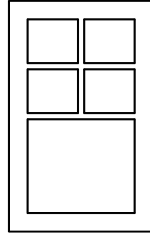
MGD	Width		Height		⁽¹⁾ Center Rail added when height is:
	Min.	Max.	Min.	Max.	
2-1/4" M&T, Mitered, Thermofoil	10"	24"	16"	68"	>52"
3" & 4" M&T & Mitered	11-1/2"	24"	16"	68"	
Applied Moulding	14-1/2"	24"	16"	68"	

⁽¹⁾ No Center Rail added on Mitered doors

Modifications - Prep for Glass Options

Mullion Grid Half Lite (MGDH)

- Replace standard door(s) with Mullion Grid door Half Lite
- Height of grid area is same as open area



MGDH	Width		Height		⁽¹⁾ Center Rail added when height is:
	Min.	Max.	Min.	Max.	
2-1/4" M&T, Mitered, Thermofoil	10"	24"	28"	52"	N/A
3" M&T & Mitered	11-1/2"	24"	28"	52"	
Applied Moulding	14-1/2"	24"	28"	N/A	

⁽¹⁾ No Center Rail added on Mitered doors

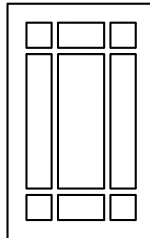
MSRP

MGDH	424	
MGDH	551	Mitered

Price per door

Mullion Grid Nine Lite (MGDN)

- Replace standard door(s) with Mullion Grid door Nine Lite
- Opening between door frame and grid member is 3"



MGDN	Width		Height		Center Rail added when height is:
	Min.	Max.	Min.	Max.	
2-1/4" M&T, Mitered, Thermofoil	15"	24"	16"	52"	N/A
3" M&T & Mitered	16-1/2"	24"	19"	52"	
Applied Moulding	N/A				

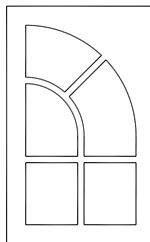
MSRP

MGDN	424	
MGDN	551	Mitered

Price per door

Mullion Grid Quarter Round (MGDQ)

- Replace standard door(s) with Mullion Grid door Quarter Round
- Available in Thermofoil styles only
- Door height must be a min. of 1-1/3 times taller than width
- Grid design may vary according to door height



Right swing door shown

Min/Max Sizes	
Door Width	Door Height
14-1/2" – 24"	19-1/4" – 42"

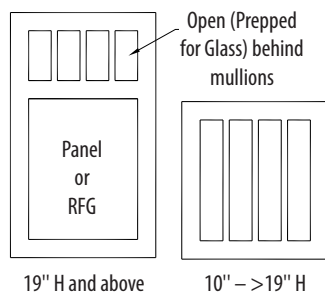
MSRP

MGDQ	424
------	-----

Price per door

Vertical Mullion Top (VT_)

- VT - Vertical Mullion Top w/Door Panel Lower
- VTR - Vertical Mullion Top w/RFG Lower
- Upper openings: 6" H and equal width
- Mullions: 3/4" wide
- Refer to chart for quantity of mullions by door width
- Available with Shaker or Shaker Solid styles only



Door Width	# of Top Openings	# of Mullions
7" - <10"	1	0
10" - <13"	2	1
13" - <16"	3	2
16" - <20"	4	3
20" - 24"	5	4

MSRP

VT	424
VTR	551

Price per door

VT & VTR	Width		Height		Center Rail added when height is:
	Min.	Max.	Min.	Max.	
Shaker/Shaker Solid	7"	24"	10" ⁽¹⁾	68"	>60-1/4

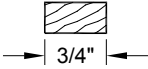
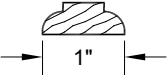
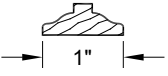
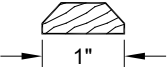
Calculating insert sizes for VT and VTR doors:

- Lower insert H: Doors less than 19" H: Same as M&T styles
19" - 60" H: Door H - 11-5/8"
60" H & above: Door H - 12-7/8" ÷ 2 (two inserts)
- Upper insert height will always be 6-15/16"
- Width calculations are same as M&T styles

Modifications - Prep for Glass Options

C & X Mullion Grid Styles

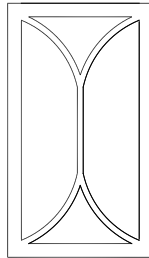
- Available in M&T door styles only
- Not available in Bamboo, Rift White Oak and VG Fir

Grid Profile	Door Styles		
	Catalina Duet/Solid	Normandy/Solid Quattro/Solid	Shaker/Solid/Center Valley Forge/Solid
	Aberdeen Brentwood/Solid Cape Cod Solid	Emerson Monterey Shalimar	Stratford Windsor
	Canterbury Carlsbad/Solid	Cortina/Solid	Ridgecrest
	Equinox/Solid	Lynden/Solid	

Mullion Grid C Pattern (MGDC)

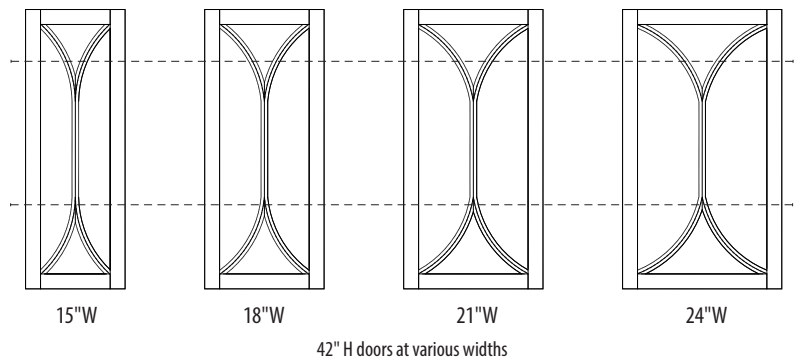
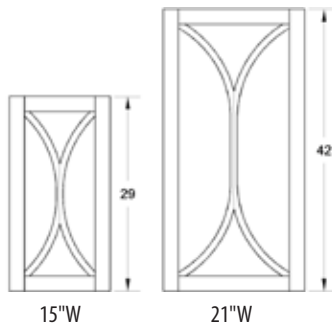
- Replace standard door(s) with Mullion Grid "C" Pattern door(s)

MSRP
MGDC 721
Price per door



MGDC	Width		Height	
	Min.	Max.	Min.	Max.
2-1/4" M&T	11-1/2"	21"	29"	42"
3" M&T	13"	21"	30-1/2"	42"
4" M&T	15"	21"	32-1/2"	42"

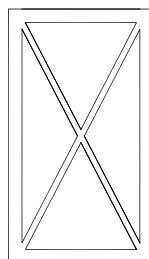
Note: Curved mullion intersections vary depending on door width and height



Mullion Grid X Pattern (MGDX)

- Replace standard door(s) with Mullion Grid "X" Pattern door(s)

MSRP
MGDX 636
Price per door



MGDX	Width		Height	
	Min.	Max.	Min.	Max.
2-1/4" M&T	11-1/2"	21"	29"	42"
3" M&T	13"	21"	30-1/2"	42"
4" M&T	15"	21"	32-1/2"	42"

Modifications - Metal Options

Aluminum Frames

- Replace (one or more) hinged doors within size limits listed below
- Available in two frame styles (A01 or A03) finished in either Natural Aluminum (N) or Brushed Steel (S)
- Offered prepped for tempered glass and/or acrylic inserts (not included)
- Insert selection: clear, satin or reeded tempered glass (see chart) or make a selection from our acrylic door panel inserts (pg M-14)
- To calculate insert size:
 - A01: deduct 1-3/16" from door W and H
 - A03: deduct 3-15/16" from door W and H



A01S - Shown with Acrylic 03
Moire Vertical Insert



A03N - Shown with G51
Satin Tempered Glass Insert

- **Not available** on WWRD cabinets
- A01_ style **not available** with Vertical Bifold cabinets, inMotion hinge door option, or the following corner, angle or end cabinets: _AB, _CA _CC _EA _EC, _SA and _SC
- A03_ style **not available** for _AB, _CA, _EA and _SA cabinets

LOOSE Aluminum Frame Doors

- Order loose aluminum frame doors as a DOOR
- Apply door insert option as required
 - Ex: DOOR 15" x 24", A03N + G51 Insert (Satin)
- Order loose hinges as required
- Price is for loose door (DOOR), and does not include door insert or hinges
- Multiply exact width by height and round to next full number
- Minimum price per piece is equal to 288 square inches (2 square feet)

Size Limits	A01	A03
Width	5-1/2" - 48"	5-1/2" - 48"
Height	5-1/2" - 48"	5-1/2" - *91-3/8"

- Max. door width for side-hinged doors is 24"
- *Either width or height must be 42" or less on any single piece

Aluminum Frame Door Option (Replace Standard Door with Aluminum Frame Door)		
Style	Description	MSRP (per sq. inch)
A01N	3/4" Frame Aluminum Door - Natural Aluminum	0.97
A01S	3/4" Frame Aluminum Door - Brushed Steel	1.10
A03N	2-1/8" Frame Aluminum Door - Natural Aluminum	1.14
A03S	2-1/8" Frame Aluminum Door - Brushed Steel	1.31

- Price is to replace standard door w/aluminum frame door without insert (see below for insert pricing)
- Multiply exact width by height, and round to next full number
- Minimum price per piece is equal to 288 square inches (two square feet)
- Normal prep for glass (RFG) fee does not apply

Glass Inserts (Installed)		
Style	Description	MSRP (per door)
G50	Clear Tempered Glass Insert	136
G51	Satin Tempered Glass Insert	346
G52	Reeded Tempered Glass Insert	424

- Above glass options available with aluminum frame doors only
- Glass with a diagonal dimension of less than 12" will not be tempered
- Use standard nomenclature for acrylic inserts

Aluminum Frame Doors - DOOR (Loose)		
Style	Description	MSRP
A01N	3/4" Frame Aluminum Door - Natural Aluminum	1.36 per sq. inch
A01S	3/4" Frame Aluminum Door - Brushed Steel	1.56 per sq. inch
A03N	2-1/8" Frame Aluminum Door - Natural Aluminum	1.54 per sq. inch
A03S	2-1/8" Frame Aluminum Door - Brushed Steel	1.75 per sq. inch
HINGE-A01	Loose hinge with mounting plate for A01_ Aluminum frame door	25 each

Modifications - Custom Oven Cutouts

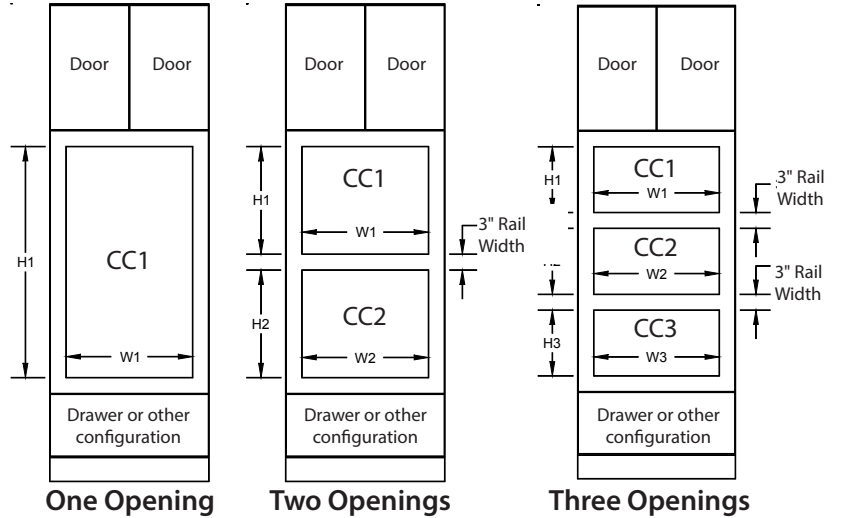
Custom Oven Cutout Information

- Customer is responsible for interpreting appliance manufacturer specifications and listing all required dimensions
- **Solid Wood, Mitered & M & T door styles:** Removable oven panel is stile and rail construction
- **Acrylic, Foil, Greenlam, HPL, LPL, Thermofoil, TSS, Wood Veneer and Bamboo Plywood door styles:** Removable oven panel is a one-piece, slab construction
- Cutouts are centered vertically and horizontally
- Oven support shelves with cleats are installed flush with bottom of each cutout
- Custom cutouts must fall within the min and max dimensions
- Minimum cutout width: 9" less than cabinet width

- Maximum cutout width: 3" less than cabinet width
- Minimum and maximum cutout height is determined by model
- 3" rail is installed between each cutout
- Sum of all cutouts, including 3" rail in between cutouts, must not exceed maximum cutout height specified by model type
- Side stiles, top, and bottom rails: 1.4375" at max cutout size
- Complete and submit a Custom Cutout Form along with your order. Custom Cutout Forms available in CC Business
- A Special Products Request (SPR) must be submitted for cabinets or modifications that are not standard

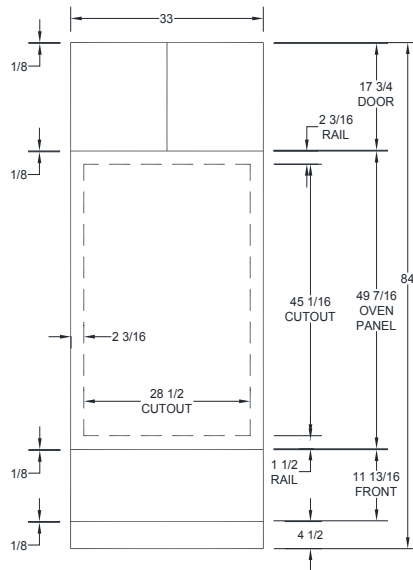
	MSRP
CC1	382
CC2	127
CC3	127

- **Single opening:** Use CC1 modification
Specify opening width (W1) and height (H1)
- **Two openings:** Use both CC1 and CC2 modifications
CC1 dimensions (W1 & H1) represent upper opening
CC2 dimensions (W2 & H2) represent lower opening
- **Three openings:** Use CC1, CC2 and CC3 modifications
CC1 dimensions (W1 & H1) represent upper opening
CC2 dimensions (W2 & H2) represent middle opening
CC3 dimensions (W3 & H3) represent lower opening

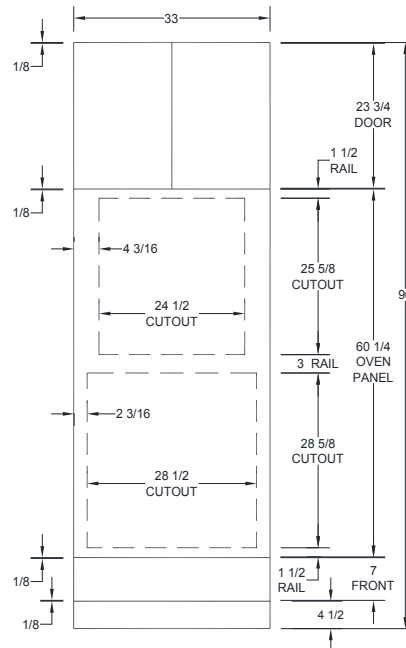


Cutout Width		Cutout Height	
Min.	Max.	Min.	Max.
9" less than cabinet width	3" less than cabinet width	See model type for custom cutout height limits	

Example: UOV3384-ID
CC1: 28-1/2" W x 45-1/16" H



Example: UOV3396-ISS
CC1: 24-1/2" W x 25-5/8" H
CC2: 28-1/2" W x 28-5/8" H



Modifications - Acrylic Panels

General Information

- Panels incorporate materials that may wick moisture from edge of sheet
- When installing in a moist environment, edges should be sealed with silicone or plastic tape
- Panels are approximately 1/8" thick
- Available loose or installed in cabinet doors
- Loose panels may be cut to size, or purchased in full sheets
- Additional styles and textures available through Special Product Request (SPR) program

Loose Acrylic Panels

- Max. size: 48" W x 96" H
- Exceptions:
Rain Emboss #15 | 35-1/2" W x 96" H
- To order loose panels:
DR-INSERT + Model name + size W x H

Installed Acrylic Panels

- Installed price does not include prep for glass options
- Installed inserts are limited to one style per cabinet
- Max. door W: 24" | Max. door H: 52"
(unless otherwise specified)
- To order installed:
CABINET + Prep for glass option + Installed Model code
• (Ex: W3030, RFG-A01 or W4836, MGDN-A17)

Panel Description	Face Texture	LOOSE		INSTALLED	
		Loose Model DR-INSERT	Loose MSRP (sq. in.)	Installed Model	Installed MSRP (per door)
Matte #01	Matte	ACRYL01	1.09	A01	628
Gloss #02	Gloss	ACRYL02	1.09	A02	628
Rain Emboss #15	Gloss	ACRYL15	1.30	A15	694
Mirage Platinum #22	Satin	ACRYL22	1.30	A22	694
Vena #23	Gloss	ACRYL23	1.30	A23	694
Copper Spun #24	Gloss	ACRYL24	1.66	A24	850
Gold Spun #25	Gloss	ACRYL25	1.66	A25	850
Silver Spun #26	Gloss	ACRYL26	1.66	A26	850
Quarry Milan #27	Gloss	ACRYL27	1.66	A27	850

DOOR INSERT CALCULATIONS	SUBTRACT FROM DOOR FOR INSERT SIZE	
	Width	Height
2-1/4" M&T and App Mldg	3.5625	3.5625
2-1/4" Mitered	3.5625	3.5625
3" M & T (Valley Forge)	5.0625	5.0625
3" Mitered	5.0625	5.0625
Duet	3.5625	7.0625
Garrison/Kingston	3.5625	6.0625
Glacier Bay - RTF	3.625	3.625
Lancaster - RTF	4.125	4.125
Quattro	7.0625	7.0625
Tuscany - RTF	3.6875	3.6875
Winterset - RTF	4.5625	4.5625

Note: Insert size is .0625" less than rout (width and height)



ACRYL01 | Matte



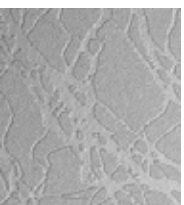
ACRYL02 | Gloss



ACRYL15 | Rain Emboss



ACRYL22 | Mirage Platinum



ACRYL23 | Vena



ACRYL24 | Copper Spun



ACRYL25 | Gold Spun



ACRYL26 | Silver Spun



ACRYL27 | Quarry Milan

Photos may not accurately represent actual product –
Please view a sample prior to placing an order

Glass Stop (AM-C)

- Available in random lengths only - determine amount required, then add for waste and cutting
- Available in Maple, Cherry, Alder, Hickory, Beech and Red Oak
- Installed Acrylic Panel glass stop matches door species and color



Installed Acrylic Panel glass stop

	MSRP	
AM-C	8	per lineal foot

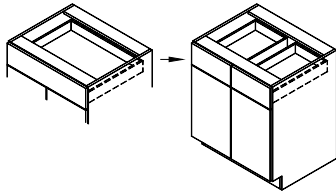
Care and cleaning

- Use weak solution of warm water and mild detergent
- Never scrub surface - gently wipe with soft sponge, cloth or chamois
- Do not use: squeegee, scraper or synthetic rags as they may scratch the surface
- Surface contaminants may be removed using an acrylic cleaner, such as Novus
- Do not clean with: glass cleaning products, acetone, gasoline, benzene, lacquer thinner, chlorinated solvents, gritty abrasive scouring compounds or alkaline cleaners

Modifications - Drawer Front, Box & Guide

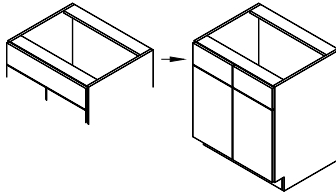
Replace Single Drawer Front w/Double

- Change one horizontal top drawer, false front or flip-down front to two
- Available on two-door cabinets with a single drawer (or front) above the doors, and on top drawer of 24" – 42" wide drawer stacks (see B3D, B4D etc)
- Ex: B36-2DF1, BST36-2TO



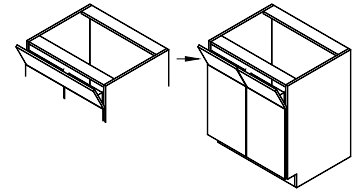
2DF1	MSRP
	195

Price is per cabinet



2FF	MSRP
	76

Price is per cabinet

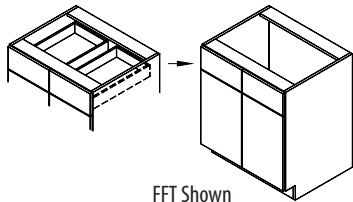


2TO	MSRP
	85

Price is per cabinet
2TO not available on cabinets less than 32" W

Replace Drawers w/False Fronts (FFT_)

- Change top drawer(s) to false front(s)
- May not be combined w/I/O modification
- Ex: B42-FFT



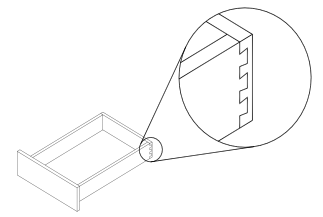
FFT Shown

	MSRP	
FFT	0	Change all top drawers to false fronts
FFTL	0	Change left top drawer to false front
FFTR	0	Change right top drawer to false front

Price is per false front

Hardwood Dovetail Drawers (HWDWR)

- Drawer bottoms are 1/4" thick plywood, fully captured by 5/8" thick solid hardwood front, back and sides
- All components have clear finish regardless of interior type
- Roll-outs come standard with HWDWR; modification not needed
- Ex: B2D24, HWDWR (all drawers are modified)



Availability:

- Global option (for all drawer boxes on an order)
- Line item modification (all drawer boxes on a specific cabinet)
- Location item modification (specific drawer box on cabinet)

HWDWR	MSRP
	102

Price is per drawer box

Modifications - Metal Drawers

Metal Drawers & Roll-Outs (Global Option)



- Available as global option with powder-coated grey (PGG) or stainless steel (SSG) sides and rails
- All drawers and roll-outs in cabinet must be same option type
 - Applies to standard roll-out cabinets such as BRO & FBRO
 - Additional roll-outs may be ordered from the Accessories Section (A-35)
- Drawer bottoms and backs are 5/8" thick grey melamine faced particleboard
- Includes inMotion soft close guides rated at 75 lbs.
- Stainless steel drawer sides have a removable protective peel coat that should be left on until installation is complete
- Drawer depths vary by cabinet depth when 18" to <24" D
 - Cabinets 24" to 30" D will have 22" D drawers installed
- **Note:** Deduct 1-3/4" from drawer front height for interior drawer clearance

Not available with:

- DFMD drawer fronts for mitered door styles with 1-3/4" stiles & rails
- A01 aluminum frame door option
- Cabinets less than 18" D
- Desk Drawer Cabinet (DDC)
- Base Bake Center (BBC)
- Base Drawer Stacks with breadboard or display front (B3DBB, B3D-DIS, B4DBB)
- Drawer Organizer Kit System (DOKS)
- Bread Drawer Cover Kit (BDCK)
- Breadboard Kit (BBK)
- Installed Breadboard (IBB) modification

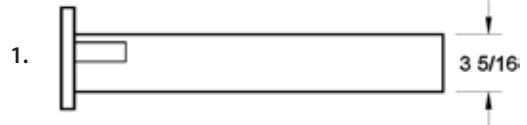
Drawer Accessories available:

- Flatware Organizer (FORG)
- Utensil Organizer (UORG)
- Knife Holder (KHOLDER)
- Plate Holder (PHOLDER)
- Details on pg A-34

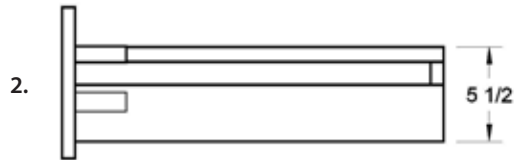
Drawer Box Option - Metal Drawer Systems		MSRP Per/drawer or roll-out
PGG	Powder-Coated Grey Drawer System	\$339 ea
SSG	Stainless Steel Drawer System	\$466 ea

Note: Drawer guides will default to inMotion (IM)

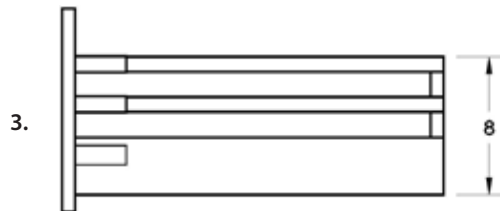
SIDE VIEWS



#	Drawer Front Height		Min. Cab. Depth
	Min	Max	
1	5-3/16"	<7-11/16"	18"

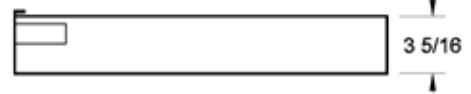


#	Drawer Front Height		Min. Cab. Depth
	Min	Max	
2	7-11/16"	<10-3/8"	18"



#	Drawer Front Height		Min. Cab. Depth
	Min	Max	
3	10-3/8"		18"

METAL ROLL-OUT TRAY



Roll-out Front Height	Min. Cab. Depth
4"	18"

Where Can I Get the Latest Form?

To ensure that you have the most up-to-date version of each form,
please download form PDFs from:
CC Business (www.canyoncreek.com/business)

or contact Customer Service at:
customerservice@canyoncreek.com
800-228-1830 x299

Forms

>> This page intentionally blank <<

Ordering Procedures and Guidelines

Placing an Order

- Orders must be placed by fax (1-800-787-0131) or email to orders@canyoncreek.com.
- It is best to use either a **Canyon Creek Order Form**, or a **20-20 generated materials list** with an attached Canyon Creek Order Form (with completed header information) and a cabinet layout.
- Orders must have complete information to be processed. Missing header information (such as door style, color or Gloss Level), unapproved Special Product Requests (SPRs) and missing swings are common examples of information lacking that will delay an order.
- Full orders received before 10:00 am Pacific Standard Time will be processed that day, if complete. If received after 10:00 am PST, we will consider the order received the next business day.
- **Manufacturing lead-time** is generally four to six weeks, but may be affected by SPR component lead times. Lead times are calculated from the date we are able to enter the complete order, (see above regarding complete orders) to the date it is ready for shipment. Allow additional time for weekends, holidays, plant shutdown days, and transit time. Refer to your Acknowledgement for the projected ship date.

Special Product Requests (SPR)

- All requests must be submitted on our current SPR form, and follow the criteria listed on the SPR Guidelines.
- SPRs must be pre-approved (by Canyon Creek) and countersigned (by you), or they will hold up the entire order while the SPR is being processed. Refer to SPR Guidelines for detailed instructions.

Acknowledgements

- An Order Acknowledgement will be faxed or emailed to you within two business days for standard orders, and one day for Order Corrections.
- If you have not received an Acknowledgement within two days, please call to confirm our receipt of your order or Order Correction.
- Review your Acknowledgement carefully. You must notify Canyon Creek Customer Service of any corrections using our Order Correction Form. **For standard lead-time orders, this must be done before noon on the second business day after your order is entered.**
 - **Corrections or cancellations are not allowed on orders with less than standard lead-time.**
- Your Acknowledgement is not an invoice. It is a confirmation of what was ordered, the order lead-time, and prices.

Order Corrections or Cancellation

- Order Corrections or cancellation must be submitted on a Canyon Creek Order Correction Form.
- **Corrections or cancellations are not allowed on orders with less than standard lead-time.**
- If you received your Acknowledgement via email, you may submit corrections/cancellation by email.
- All corrections must be submitted before noon on the second business day after your order is entered. (Example: If the order was entered on Thursday evening, you have until noon on Monday to make any corrections or to cancel the order.)
- You will receive a revised Acknowledgement confirming that the corrections have been made.

Warranty Orders

- All warranties must be submitted as an order, and approved by Canyon Creek's Customer Service department.
- Warranty orders must include the item to be replaced (including critical sizes or measurements), the original order number, the reason for warranty in detail, complete header information, and all other order details required on a standard order.

Order Inquiries

- Call Customer Service at 1-800-228-1830 or email customerservice@canyoncreek.com.
- Please have the Order# assigned by Canyon Creek and/or your PO # handy for reference.

Understanding Your Acknowledgement



ACKNOWLEDGEMENT

5 Sales Order #: 22002 - 00
 6 P.O. #: 45-75982
 7 Sidemark: JOB #25 SMITH
 8 Order Date: 3/01/12
 9 Date To Ship: 3/29/12
 10 Carrier: YELLOW FREIGHT
 11 Ship Via: LTL COMM CARR
 12 Freight Terms: PPD/CHG CYCLE RATE
 13 Rep: HOUSE ACCOUNT

1 Printed 3/02/12 11:20:25
 2 Sold To: 002942
 A B C KITCHEN DESIGN
 16726 TYE ST SE
 MONROE WA 98272

4 Page 1 of 1
 3 Ship To: 002942
 A B C KITCHEN DESIGN
 C/O TERRY SMITH
 12345 TAYLOR AVE
 ANYTOWN WA 98XXX

FOR CUSTOMER SERVICE ASSISTANCE CALL 1-800-228-1830 (Ext. 299) or FAX 1-800-787-0131

Ln #	Qty	Part #	Part Description	MSRP Ea	Ext. Net
14	15	16	DELIVER TO GARAGE CABINET LAYOUT INCLUDED	18	19
1		GL	***** GLOBAL OPTIONS ***** CANYON CREEK FRAMED CONSTRUCTION DOOR STYLE: BRENTWOOD ROMAN OVERLAY: MODIFIED EDGE DETAIL: G DOOR SPECIES: MAPLE DOOR COLOR: CINNAMON DWR FRT STYLE: DFMD DWR BOX: HARDWOOD DOVETAIL DWR GUIDE: SEGU FRAME SPECIES: MAPLE FRAME COLOR: CINNAMON CABINET BOX: PARTICLEBOARD CABINET INTERIOR: WOODGRAIN LAM HINGE: CONCEALED POST-COLOR: LICORICE HIGHLIGHT GLOSS LEVEL: STANDARD CABINETS ASSEMBLED CABINET PKG: CARTON		
2	1	W3036	W3036 2 DOOR DEPTH= 9	521.00	260.50
	1		NON STD DEPTH UPCHARGE	150.00	75.00
	1		SPECIE UPCHARGE	52.10	26.05
	1		HIGHLIGHT FINISH ENHANCEMENT	78.15	39.08
3	1	W2DR	WALL 2 DOOR WIDTH= 29 HEIGHT= 36	521.00	260.50
	1		NON STD WIDTH UPCHARGE	150.00	75.00
	1		SPECIE UPCHARGE	52.10	26.05
	1		HIGHLIGHT FINISH ENHANCEMENT	78.15	39.08
4	1	SPRBASE	SPR BASE CABINET LINE REFERENCE NUMBER= B87409	525.00	262.50
	1		SPECIE UPCHARGE	52.50	26.25
	1		HIGHLIGHT FINISH ENHANCEMENT	78.75	39.38

Product Classes:
 2 WALL CABINET
 1 BASE CABINETS

All orders are firm & non-cancellable. Please verify accuracy of entry.

Revisions that affect the ship date, carrier or shipping address must be requested at least four (4) business days prior to the promised date.

The estimated freight charge is listed here. If multiple orders are shipped together, the freight charges will be adjusted at time of invoicing.

All orders except will call are FOB Destination.

24	MSRP:	2258.75
25	Factor:	0.5000
26	Net Cost:	1129.39
27	Net Items:	0.00
28	Est. Frt.:	36.00
29	Other:	0.00
30	Tax:	0.00
31	Total:	1165.39
32	'N' is net pricing.	

21 Route: Z01S
 22 Est. Cubes: 78

Understanding Your Acknowledgement

<p>1. Printed Date and time Acknowledgement was printed.</p> <p>2. Sold To Account number, name and address which will be billed for the order. This is the account that should be referenced for credit or payment purposes.</p> <p>3. Ship To Account number, name and address for where order is being shipped. This may differ from "Sold To" account if customer has multiple "Ship To" locations. This account should be referenced when inquiring about a specific order.</p> <p>4. Page _of_ Page number and total number of pages of Acknowledgement.</p> <p>5. Sales Order # Number assigned to an order by Canyon Creek. Used to track an order after it is entered.</p> <p>6. P.O. # Reference number or name assigned by customer. Typically used for payment purposes.</p> <p>7. Sidemark Job reference (number, name, etc. . .) assigned by customer when placing order.</p> <p>8. Order Date Date order was first entered into our computer system. May not be date order was placed, or when order became "active" for lead-time purposes.</p> <p>9. Date To Ship Date order is to be shipped, or will be available for will call at our dock.</p> <p>10. Carrier Company to be used for shipping.</p> <p>11. Ship Via Method that will be used to ship order.</p> <p>12. Freight Terms Freight billing terms.</p> <p>13. Rep Canyon Creek sales representative.</p>	<p>14. Ln# Line number of item. Refer to Acknowledgement order number and line number when communicating with Canyon Creek.</p> <p>15. Qty Quantity of part number ordered.</p> <p>16. Part # Nomenclature Canyon Creek uses to enter information into our computer system. The nomenclature may be for: (a) Global Options – Options that apply to all subsequent items, except when noted on a specific item, or when a new set of Global options are introduced. (b) Standard Models – Standard pre-defined product with specific options. (c) Generic Models – Standard product modified within size limits, but causing standard description to be inaccurate. (d) SPR Models – Pre-approved Special Product not configured in our computer. Identified by type and reference number.</p> <p>17. Part Description Used to convey or describe information such as: (a) Top Notes - Notes or instructions specific to order. Will be located at top of "Part Description" area. (b) Global Options - Describes options that apply to items that follow, unless a change is noted on a specific item, or a new set of Global options are introduced. (c) Part Description - Specifications and options selected for an item. Approved SPR numbers will be found in this section for SPR models. (d) Up-charges - Additional charges applied to base price of an item. (e) Mid Notes - Notes that are specific to an item. (Not shown).</p> <p>18. MSRP Ea MSRP price (per unit) for item, and up-charges associated with selected options and modifications.</p> <p>19. Ext. Net Extended net amount (Qty x MSRP Ea x Factor).</p>	<p>20. Product Classes The number of items in each product class. Sometimes used for freight calculation.</p> <p>21. Route Used internally by Canyon Creek to group orders for shipment by day and route.</p> <p>22. Est. Cubes Total estimated cubic feet of packaged product. Does not include miscellaneous items, or take into consideration loss of space that occurs when loading container.</p> <p>23. Important Order Information Order guidelines and other information that apply. Please read and understand.</p> <p>24. MSRP Total of Qty x MSRP. Does not include non-factorable "Net" items/options marked with "N" (see #32).</p> <p>25. Factor On-factor (or multiplier) applied to factorable items on order.</p> <p>26. Net Cost Total of Ext. Net items. Does not include non-factorable "Net" items/options marked with "N" (see #32).</p> <p>27. Net Items Total of non-factorable "Net" items/options. (Typically priced "Net" due to a promotion.)</p> <p>28. Est. Freight Estimate of net freight or shipping amounts charged by Canyon Creek; includes fuel charges.</p> <p>29. Other Net adjustments or fees not classified as Freight.</p> <p>30. Tax Sales tax (when applicable).</p> <p>31. Total Order total excluding applicable taxes.</p> <p>32. "N" is net pricing Identifies non-factorable lines that are priced "Net." Located to right of price in MSRP Ea column.</p>
--	---	---

SPR Guidelines

SPRs may be submitted via fax (1-800-787-0131) or email (spr@canyoncreek.com).

Canyon Creek's Special Product Request (SPR) program is designed for situations that require products or services not found in our standard catalog. While the SPR program is generally employed to customize cabinets, it should also be utilized when specialty mouldings, hardware or accessories are needed.

To inquire about nonstandard door styles, wood species, or colors and finishes, the SPR process must be used. These products usually carry a higher cost due to the additional handling, design and set-up required at our facility. Therefore, all effort should be made to satisfy the customer's needs through the use of standard products, accessories and modifications before submitting a Special Product Request.

The following are guidelines for processing SPR requests:

- All SPRs must be submitted, approved and countersigned prior to placing the order.
- SPR submittals must be on an official SPR form, one product per form.
- All modifications pertaining to the SPR must be requested on the SPR form. No modifications may be added separately or after the order is placed.
- Whether the SPR is approved, declined, or delayed; a response can be expected within two business days. A decision may be delayed if the SPR has components that must be purchased, or when further research or information is required.
- All quotes are priced MSRP (List). The price does not include percentage up-charges for wood species, finish enhancements, etc.
- SPR price quotes are valid for 60 days.

Minor changes may be requested after the SPR has been approved (prior to placing the order). To request a minor change, check the "changes requested" box, give a short description of the change, and add the appropriate information to the grid (drawing) area. Canyon Creek will review the change, adjust the price (if necessary) and return it for customer acceptance.

After reviewing the details and notes on the approved SPR, countersign and date it, and submit the SPR with the rest of the order for processing. Your signature confirms your understanding and acceptance of the price and details along with any changes made by Canyon Creek to the SPR.

Canyon Creek will hold orders with unapproved SPRs until they have been approved and accepted (signed) by the customer. At the customer's option, an unapproved SPR may be removed from the order and placed on a separate order after Canyon Creek approval and customer acceptance. The ship date for the SPR will be calculated based on the subsequent order date.

Once placed as an order, no changes or cancellations will be allowed.

Canyon Creek reserves the right to decline any request for special products. In this event we will attempt to offer an acceptable alternative to the request.

Limited Lifetime Warranty

Cornerstone & Millennia Cabinetry

Canyon Creek Cabinet Company warrants to the original purchaser that Canyon Creek cabinetry will be free from defects in material or workmanship that arise under normal use and service for as long as you own the cabinetry.

This limited warranty goes into effect from the date of shipment and does not cover freight damage, accident, acts of God, misuse, negligence, alteration, abuse, improper storage, installation or removal. Nor does it apply in the case of normal wear and tear. It does not cover features and conditions that are inherent in the wood species, the style, the finish, or finish attributes. This warranty does not apply to unfinished product. The warranty does not cover damage from exposure to extremes in temperature or humidity or the natural effects caused by aging of wood products and finishes due to the natural reaction of wood and finishes to UV light, the natural variation in grain or color of wood, or any visible cracking around joint areas. In addition, drawer guides and hinges on all cabinets have warranties provided by their respective manufacturers.

If a product is found to be defective under conditions of normal use and service within the limited lifetime warranty period, Canyon Creek Cabinet Company, at its sole discretion and following thorough reviews and inspections of the product, will either repair or replace the defective product. This is a parts warranty only and excludes labor for removal or replacement of defective parts. Due to the natural changes of wood products caused by aging and/or product specification changes, any replacement product may not be an exact match. Canyon Creek's liability under this warranty is expressly limited to replacement or repair of the product, and in no event shall Canyon Creek be liable in any way for consequential or incidental damages of any kind.

Canyon Creek shall not be liable for any damage or errors resulting from or related to the installation or use of its products. This warranty is offered only to the original purchaser of the cabinets at the original site of installation and is not transferable. This warranty applies only to cabinets or related products purchased through an authorized Canyon Creek dealer or contractor.

To file a warranty claim request, the original purchaser should contact the authorized Canyon Creek dealer or contractor where the product was purchased. Proof of original purchase is required. The authorized dealer or contractor will obtain the necessary information to complete a warranty request and forward the request in writing to Canyon Creek.

We reserve the right to make changes in materials and specifications for Canyon Creek cabinets without prior notification but we have no obligation to incorporate such changes in products that were previously manufactured.

This warranty is in lieu of all other warranties, express or implied, including warranties of merchantability and of fitness for a particular purpose, and we do not authorize any other person or company to assume on our behalf, any other liability in connection with the sale of our products.

No representative of Canyon Creek has the authority to change or enlarge this warranty.

This warranty is only valid in the United States and Canada. Katana frameless cabinetry and Canyon Creek's Closets Plus program are covered under separate warranties. The terms of this warranty may vary from state to state and province to province.

CANYON CREEK
Cabinet Company

Forms

>> This page intentionally blank <<

Index

The Index is sorted alphabetically by description to help find items easier. The Index has columns for description, nomenclature, the Price & Spec Guide (P&SG) section and page number as well as the 20-20 section.

Abbreviations used for the P&SG Sections are:

- A Accessories, loose or installed
- B Base
- Forms** .. Forms and ordering information
- G General and Information Section
- M. Modification
- W Wall
- V Vanity, Vanity Mid or Vanity Grand
- T Tall, which includes Utility and Pantry

Abbreviations used for the 20-20 Sections are:

- AC. Accessory
- AT Attachment or Modification (Also called "Add-On")
- B Base
- BC. Base Corner or Vanity Corner
- F Fillers
- MP Mouldings and Pulls (Versions: D and E)
- S&P Styles and Pricing
- T Tall, which includes Utility and Pantry
- V Vanity, Vanity Mid or Vanity Grand
- W Wall
- WC Wall Corner

Accessories will be in either the Accessories section or Modification section. If an item is an accessory, it has the initial of AC. If an item is an accessory that can be attached to a cabinet, it is noted as an attachment with the initial of AT.

Modifications are attachments with the same initial of AT. Both the accessory and attachment areas are divided into numbered sections in the 20-20 catalog to make your search for items easier and quicker.

The 20-20 column will also give a reference to Styles and Pricing (S&P). Styles and Pricing is the area where the 20-20 user sets the "Global Header" options for the design.

Examples:

Description	Nomenclature	P&SG Section	20-20 Section
Base Shoe Moulding	BSHM	A-4	AC2

Base Shoe Moulding (BSHM96) is a lineal moulding that is found in the Accessories Section of the P&SG on page 4. In 20-20 it can be found in the Accessories #2 section.

Description	Nomenclature	P&SG Section	20-20 Section
Plywood Cabinet Box Up-Charge	PLYWOOD	G2	AC23 / AT9

The Plywood Box up-charge (PLYWOOD) can be found in the General Section of the P&SG. In 20-20 it can be found in the Accessory Section #23 and as an Attachment #9.

Description	Nomenclature	P&SG Section	20-20 Section
Shaker		G-6, G-17	S&P

Shaker door style can be found in the General Section of the P&SG. In 20-20 it can be found in Styles & Pricing.

Index

Description	Nomenclature	Page Number	20-20 Section	Description	Nomenclature	Page Number	20-20 Section
24" D Wall: 12", 14", 15", 18" H	W_X24	W-14	W	Base Cooktop	BCT	B-24	B
24" D Wall: 20", 21", 24", 26", 27" H	W_X24	W-14	W	Base Corner Filler	BCF	A-18	
3/4" Finished Panels	34FP	A-20	AC9, W	Base Cross Sections		B-2 – B-3	
3/4" Finished Panel Back	34FPB	A-20	AC8, B	Base Desk Drawer Cabinet	BDD	B-51	B
A				Base Double-Entry	BDE	B-19	B
Aberdeen		G-5, G-31	S&P	Base Downdraft	BDD	B-20	B
Acanthus Pattern Accessories		A-16		Base End Shelf	BES	B-50	B
Accessories		A-1		Base End Shelf Half	BESH	B-50	B
Accessory Modifications		M-3		Base Filler Pull-out Spice Rack	BFPS	B-27	B
Acknowledgements		Forms		Base Filler Pull-out Stainless Steel	BFPSS	B-27	B
Acrylic Door Inserts		M-14		Base Full Wine Rack- Lattice	BFWRL	B-32	B
Adjustable Shelf Clips		A-21		Base Full Wine Rack - X Grid	BFWRX	B-33	
Adjustable Shelf (Loose)	AS	A-22	AC15	Base Half Wine Rack- Lattice	BHWRL	B-32	B
Aerosol Paint		A-41		Base Island Ends	BIE2, BIE4	B-51	
Alder Characteristics		G-3	S&P	Base Linen Cabinet	BLC	B-12	B
Alpine		G-5, G-51	S&P	Base Microwave	BM	B-25	B
Aluminum Base Structures	ABS	B-52 – B-53		Base Open Cubbyhole	BOCH	B-28	B
Aluminum Frame Doors	A01, A03	G-62, M-12		Base Open Towel Rack	BOTR	B-26	B
Antiqued		G-16	S&P	Base Oven	BOV	B-22	B
Appliance Garage	AG	W-22	W	Base Oven With Drawer	BOVD	B-22	B
Appliance Panel #1 Flush 1/4" Panel	AP1	A-23	AC14	Base Oven W/ 1 Deep Drawer	BOV1D	B-22	
Appliance Panel #2 – Door Mounted on 1/4" Back Panel	AP2	A-23	AC14	Base Recycle Center	B_RC	B-30	B
Appliance Panel Form		Forms	Forms	Base Reverse Range	BRR	B-20	B
Applied Moulding Doors		G-33 – G-34		Base Roll-out	BRO	B-8	B
Arched Toekick Valance	TKVAL	A-10	AC3, B	Base Shoe Moulding	BSHM	A-4	B
Arched Valance	AVAL	A-9	AC3	Base Sink	BS	B-10	B
Artisan Packages		G-13 - G-14		Base Sink Angle	BSA	B-47	BC
Asymmetrical Base Corner Cabinets	FBCC_	B-40 –B-43		Base Sink With Tip-out	BST	B-10	B
Asymmetrical Wall Corner Cabinets	WCC_	W-48 – W-55		Base Square Corner	BSC	B-34	BC
Attach Toekick	ATK	M-6	AC6	Base Square Corner Info		B-35	BC
Avalon		G-5, G-46	S&P	Base Square Corner Filler	BSCF	A-18	
B				Base Square Corner Chrome Optimizer	BSC_OPT	B-36	BC
Backsplash – 3-1/2" H	BSP	A-6	AC2	Base Square Corner Half-Round Trays	BSC_HR, BSC_HRW	B-34	BC
Bamboo Characteristics		G-3	S&P	Base Trash Pull-out	B_STP, B_DTP	B-30	B
Base	B	B-4	B	Base Tray	BT	B-28	B
Base 1-Drawer	B1D	B-14	B	Base Warming Drawer	BWD	B-23	B
Base 2-Drawer	B2D	B-14	B	Beaded Bull Nose Moulding	BNB	A-4	
Base 3-Drawer	B3D	B-16	B	Beaded Interior Back	BIB	M-7	AT5
Base 3-Drawer Display Front	B3D_DIS	B-14	B	Beech Characteristics		G-3	S&P
Base 3-Drawer Breadboard	B3D_BB	B-16	B	Belmont		G-5, G-36	S&P
Base 4-Drawer	B4D	B-16	B	Box Only		G-1	S&P
Base 4-Drawer Breadboard	B4D_BB	B-16	B	Brackets	BRACK	A-11, A-17	AC12, b
Base Apothecary Drawer	BAD	B-28	B	Brass Shelf Clips	SC-B	A-21	AC19, AC15
Base Appliance Garage	BAG	B-25		Breadboard & Knife Drawer	BBK, IBB	A-35	AT8, AC15
Base Bake Center	BBC	B-24	B	Bread Drawer Cover Kit	BDCK	A-36	AC18
Base Cabinets		B-1		Brentwood		G-5, G-22	S&P

Index

Description	Nomenclature	Page Number	20-20 Section	Description	Nomenclature	Page Number	20-20 Section
Bull Nose Moulding	BN, BNB	A-4		Coventry		G-5, G-39	S&P
Bumper Pads	PADS	A-41	AC19	Cracks		G-13	
Burnished		G-17	S&P	Cross Sections - Located in first few pages of Wall, Base, Vanity and Tall			
C				Crown Mouldings	CRWN	A-2	AC2
Cabinet Box Exterior Modifications		M-4 – M-6		Crown Mouldings prepped for MP	CRWN -MP	A-2	AC2
Cabinet Box Interior Modifications		M-7		Crown Mouldings w/Inserts (2-Piece)		A-3	
Cabinet Box Interior Options		G-2		Curated Collection		G-11	
Cabinet Construction		G-1		Custom Color Match Request		Forms	
Cabinet Depth Modifications		M-3		Custom Columns & Corners		A-15	
Cabinet Height Modifications		M-2		Custom Oven Cutout Forms		Forms	
Cabinet Width Modifications		M-2		Custom Size Finished Panels	CP	A-24 – A-25	
Canterbury		G-5, G-30	S&P	Cutlery Tray Insert (Wood)	WCT	A-37	
Cape Cod Solid		G-5, G-26	S&P	D			
Cap Moulding	CAPM	A-4	AC2	Decorative Hardware		A-43 - A-52, DH	
Carlsbad		G-5, G-28	S&P	Dentil Moulding	DM	A-4	AC2
Carved Edges		G-13		Designating Door & Drawer Locations		M-1	
Casings	CB-A, CB-B, CB-C, CB-D	A-5		Desk Drawer Cabinet	DDC	V-32	V
Catalina	CAT	G-5, G-30	S&P	Dings		G-13	
Charleston		G-5, G-37	S&P	Distressing		G-13	S&P
Chatham		G-5, G-36	S&P	Doors (Loose)	DOOR	A-31	
Cherry Characteristics		G-3	S&P	Door & DF Reveals		G-1	
Chisel Marks		G-13		Door & DF Sample Order Form		Forms	
Chocolate Glaze or Highlighting		G-15		Door Modifications		M-8 – M-14	
Chopping Block		A-35		Door Mount Spice Rack (Wood)	DSR	A-38	AC18
Clear Bumper Pads	PADS	A-41	AC19	Door Only Sample	DOS	G-61	
Clear Lacquer	LAQ	A-41	AC21	Door Style Quick Selection Guide		G-5 – G-6	S&P
Colors By Canyon Creek (Paints)		G-11		Double Bottle Rack (Wine Rack)	DBR	A-39	
Columns		A-14 – A-16		Double Trash Pull-out	TPO2	A-40	AC18
Columns (Custom)		A-15		Dover		G-5, G-44	S&P
Concord		G-5, G-38	S&P	Dowel Screw Pack	DSP	A-12	AC19
Connector Screws	SCREWS-C	A-41	AC19	Drawer Accessories & Organization		A-36 – A-37	
Copenhagen		G-5, G-42	S&P	Drawer Boxes (Loose)		A-32	
Corbels		A-13, ENK and HF (Framed P&SG)		Drawer Box & Guide Hardware		A-33	
Corner Appliance Garage	CAG	W-56	W	Drawer Box & Guide Modifications		M-15	
Corner Mouldings		A-4		Drawer Box & Guide Options and Pricing		G-2	
Corner Posts		A-12		Drawer Divider (Wood)	WDD	A-37	
Corners (Custom)		A-15		Drawer Fronts (Loose)		A-32	
Cornice Moulding	COR	A-4	AC2	Drawer Front Bracket	DF-BRKT	A-33	
Coronado		G-5, G-46	S&P	Drawer Front Modifications		M-15	
Corsica		G-5, G-43	S&P	Drawer Front Only Sample	DFOS	G-63	
Corson	CSN	G-5, G-56	S&P	Drawer Guide Sets (Loose)		A-33	
Cortina	CRT	G-5, G-28	S&P	Drawer Ironing Board	DIB	A-36	AC18
Countertop Materials		A-21		Drawer Organizer System Metal Drawers		A-34	
Country Valance	CVAL	A-9	AC3	Drawer Organizer System: 15", 18", 21", 24" W cabinets	DOKS	A-36	AC18
Cove Crown (Exotic Wood Veneer only)	CC96	A-6	AC				

Index

Description	Nomenclature	Page Number	20-20 Section	Description	Nomenclature	Page Number	20-20 Section
Drawer Peg System	DPS	A-36		Full Base Corner Cabinet	FBCC	B-37	BC
Duet		G-5, G-24	S&P	Full Base Corner-Lazy Susan	FBCC_LS	B-37	BC
Dust Seals		A-41		Full Base Corner-Recycle	FBCC36RC	B-37	BC
E				Full Base Corner Suzy Q	FBCC_SQW	B-38	BC
Edge Details		G-18	S&P	Full Base Corner Super Susan	FBCC_SS	B-38	BC
Edge Tape		A-21		Full Base Corner Cabinet Asymmetrical LEFT	FBCC_	B-40	
Embossed Materials		A-1		Full Base Corner Cabinet Asymmetrical Lazy Susan-L	FBCC_LS	B-41	
Emerson		G-5, G-31	S&P	Full Base Corner Cabinet Asymmetrical Super Susan-L	FBCC_SS	B-41	
End Panels: 1-1/2", 3", 6"		A-19		Full Base Corner Cabinet Asymmetrical RIGHT	FBCC_	B-42	
Equinox	EQU	G-5, G-27	S&P	Full Base Corner Cabinet Asymmetrical Lazy Susan-R	FBCC_LS	B-43	
Exotic Wood Veneer		G-45 - G-48, A-6, A-24	S&P, AC	Full Base Corner Cabinet Asymmetrical Super Susan-R	FBCC_SS	B-43	
Extrapolation		M-1		Full Base Double-Entry	FBDE	B-18	B
F				Full Base End Angle	FBEA	B-48	B
Face Frame & Door Sample	FFDRS	G-63		Full Base End Cabinet	FBEC	B-48	B
Fahrenheit		G-5, G-61	S&P	Full Base Pantry Pull-out	FBPP	B-26	B
Fairfax		G-5, G-37	S&P	Full Base Recycle Center	FB-RC	B-30	B
Falmouth		G-5, G-36	S&P	Full Base Roll-out	FBRO	B-8	B
Feet		A-11		Full Base Sink	FBS	B-12	B
File Drawer System	_FD	A-36		Full Base Sink Angle	FBSA	B-46	B
Fillers		A-18 – A-19		Full Base Swing-out Shelf Pantry	FBSOS	B-26	B
Finish Enhancement Acceptance Form		Forms		Full Base Tray	FBT	B-28	B
Finish Enhancements		G-13– G-16		Full Peninsula Starter	FPSC	B-7	B
Finish Notes		G-12		Full Peninsula Starter w/Flush Toekick	FPSC_FTK	B-7	B
Finished End Doors	FED	A-26	AC6, T, B, V, W	Full Sheet & Custom Size Finished Panels		A-24 – A-25	
Finished Furniture Backs	FFB	A-30	AC7, B	Full Vanity, Mid & Grand	FV	V-8	V
Finished Furniture Ends	FFE	A-28	AC7, T, B, V, W	Full Vanity, Mid & Grand Angle Back	FVAB	V-31	V
Finished Interior	FMI	M-7	AC5	Full Vanity, Mid & Grand End Angle	FVEA	V-31	V
Finished Panels 3/4" Pre-Sized	34FP	A-20		Full Vanity, Mid & Grand End	FVEC	V-31	V
Finished Panels Full Sheets & Custom Size		A-24 – A-25		Full Vanity, Mid & Grand Hamper	FVH	V-18	V
Floor Liner – Sink Cabinet	LNRSS	A-41	AC20	Full Vanity, Mid & Grand Sink	FVS	V-29	V
Flush Toekick	FTK	M-6	AC6	Full Vanity, Mid & Grand Sink Angle	FVSA	V-29	VC
Flush Trim Kit	MCFTK	V-33	AC18	Full Vanity, Mid & Grand Square Corner	FVSC	V-15	VC
Fluted Filler		A-19		G			
FMI (Finished to Match Interior)	FMI	M-7		Garrison		G-5, G-29	S&P
FMI w/Beaded Back	FMI-BIB	M-7	AT5	Gettysburg		G-5, G-34	S&P
Foil Doors		G-59 – G61	S&P	Glacier Bay		G-5, G-53	S&P
Foil Door Colors		G-60		Glass Stop	AM-C	M-16	
Frameless Cabinet Construction		G-1		Glaze		G-10	S&P
French Toekick Valances	TKV-F_	A-11	AC3, B	Gloss Level		G-12	S&P
Full Base – 12" D	FB_X12	B-4	B				
Full Base – 24" D	FB	B-4	B				
Full Base Angle Back	FBAB	B-49	B				
Full Base Corner Angle	FBCA	B-45	BC				
Full Base Corner Angle Lazy Susan	FBCA_LS	B-39	BC				
Full Base Corner Angle Super Susan	FBCA36SS	B-39	BC				

Index

Description	Nomenclature	Page Number	20-20 Section	Description	Nomenclature	Page Number	20-20 Section
Greenlam		G-57 – G-58	S&P	KV Standards	KVS	M-7	AT5
H				L			
Half-Round Moulding	HRM	A-5	AC2	Lacquer	LAQ	A-41	AC21
Half Spool & Base	HSB	A-17	AC2	Laminate Doors		G-51 – G-52	S&P
Halifax		G-5, G-44	S&P	Laminate Full-Wrap Crown Moulding	NFM	A-6	
Hampton		G-5, G-39	S&P	Lancaster		G-6, G-54	S&P
Hana	HNA	G-5, G-49		Lazy Susan Kits White Plastic & Wood	LSK	A-40	AC18
Hanover	HAN	G-6, G-44	S&P	Legs		A-13, A-17, ENK and HF (Framed P&SG)	AC12, B
Hardwood Dovetail Drawers		M-15		Leg Attachment Brackets	LAB	A-17	AC19
Hickory Characteristics		G-3	S&P	Letter Organizer – 12"	LO_12	W-86	W
High Gloss Polishing Kit	HGPOLKIT	A-41		Letter Organizer – 6"	LO_6	W-84	W
High-Pressure Laminate	HPL	G-52	S&P	Licorice Glaze, Highlighting or Patina		G-15	
Highlighting		G-15	S&P	Lidstay (Loose)		W-33, A-31	
Hinges and Mounting Plates		A-31		Light Valances	LV1.75, LV2.5	A-9	MP
Hinge Door On Top	HINGETOP	M-8		Limited Lifetime Warranty		Forms	
Hinge Door On Top w/Lidstay	HINGETOP-LS	W-32, M-8		Liner - Sink Cabinet Floor	LNRSS	A-41	AC20
Hinge Door on Top w/Vertical Lift	HINGETOP-VL	W-34		Loose Shelves	AS	A-22	AC15
Hood Vent Cover – Inside	HVCI	A-21	AC13, AT5	Loose Toekick	LTK	M-6	AT6
Hood Vent Cover – Outside	HVCO	A-21	AC13, AT7	LPL (Low-Pressure Laminate)	LPL	G-52	S&P
Houston		G-6, G-38	S&P	Lynden	LYN	G-6, G-27	S&P
How To Apply Modifications		M-1		M			
HPL Colors	HPL	G-52	S&P	Maple Characteristics		G-3	S&P
I				Matte Gloss		G-12	S&P
Increase Depth	ID	M-3	AT1	Mechanical Chase	MC	M-7	AT4
Increase Depth Accessory	IDA	M-3	AC25	Medicine Cabinet	MC	V-33	V
Increase Height	IH	M-2	AT1	Metal Door Info		G-62	
Increase Height Accessory	IHA	M-3	AC25	Metal Drawer Info		M-16	
Increase Width	IW	M-2	AT1	Metal Drawer Organizers		A-34	
Increase Width Accessory	IWA	M-3	AC25	Metal Roll-out Trays (Installed)		A-35	
inMotion for Doors		G-2, A-31		Microwave Shelf	MS	W-40	W
Inside Corner Mouldings	ICM	A-4	AC2	Microwave Shelf Cabinet	MSC	W-40	W
Installation Screws	SCREWS-I	A-41	AC19	Microwave Universal Cabinet	MUC	W-40	W
Installation Shims (Wood)	SHIMS	A-41	AC19	Mid Base Cabinet Info	MB	B-1	B
Installed Arch Valance	IAVAL	M-5	AT5	Mini Pantry Pull-out	MPPO	A-39	AC18
Installed Country Arch Valance	ICVAL	M-5	AT5	Misc Hinge & Guide Hardware		A-33	
Installed Metal Roll-out Trays		A-33		Mitered Doors		G-35 – G-41	
Installed Straight Valance	ISV	M-5	AT5	Modifications		M-1	
Installed Valances		M-5		Modification Guidelines		M-1	
Integral Finished Bottom	IFBOT	M-4	AT2	Monterey		G-6, G-32	S&P
Integral Finished Ends	IFE	M-4	AT2	Monticello		G-6, G-34	S&P
Integral Finished Top	IFTOP	M-4	AT2	Mortise & Tenon Doors	M&T	G-19 – G-32	
Island Bookcase	IBC	B-33	B	Mouldings		A-2 – A-6	
Island Toekick	ITK	M-6	AT6	Moulding Lengths		A-1	
J				Moulding Scribe	MS	A-4	AC2
K							
Kingston Solid		G-6, G-29	S&P				
Knife Block Insert (Wood)	WKBT	A-37					

Index

Description	Nomenclature	Page Number	20-20 Section	Description	Nomenclature	Page Number	20-20 Section
Mounting Plate	MP	A-2	AC2	Pantry Reverse Full Base: 24" or 21" D	PRF	T-20	T
Mount Vernon		G-6, G-33	S&P	Peninsula Starter Cabinet	PSC	B-6	B
Mullion Grid Door	MGD	M-9	AT3	Peninsula Starter w/Flush Toekick	PSC_FTK	B-6	B
Mullion Grid Door C pattern	MGDC	M-11	AT3	Pewter Glaze or Highlighting		G-15	
Mullion Grid Door Half Lite	MGDH	M-9	AT3	Placing an Order		Forms - see Ordering Procedures and Guidelines	
Mullion Grid Door Nine Lite	MGDN	M-10	AT3	Plant-On Fillers (Greenlam)	POF4	A-18	AC4, B, T, W, V
Mullion Grid Door Quarter Round	MGDQ	M-10	AT3	Plastic Clips	SC-P	A-21	AC15
Mullion Grid Door X pattern	MGDX	M-11	AT3	Plastic Screw Caps	CAPS	A-41	AC19
Mullion Grid Profiles		M-9		Plate Display	PD	W-80	W
Mullion Grid Profiles for C & X		M-11		Plate Rail	PR	A-5	AC2
Mullion - Vertical Top	VT	M-10		Plinth Blocks	PB	A-17	AC2
N				Plywood Cabinet up-charge	PLY	G-2	AC23, AT9
NAUF option	NPL	G-1, G-2, G-57	S&P	Post-Color Finish Enhancements		G-15	
Newport		G-6, G-39	S&P	Post-Color Sanding		G-17	
Normandy		G-6, G-25	S&P	Pre-Color Distressing		G-13	
Norwood		G-6, G-38	S&P	Pre-sized 3/4" Panels & Edge Tape		A-20 – A-21	
Nova		G-6, G-42	S&P	Prep for glass, door options		M-9 - M14	
No Door	NODR	M-8	AT4, AT3	Prescott Solid	PRES	G-6, G-35	S&P
No Toekick	NTK	M-6	AT6	Pull-out Towel Rack	POTR	A-39	AC18
O				Pull-out Wire Basket 1-Tier	POWB1	A-39	AC18
Oak Characteristics		G-3	S&P	Q			
Ogee Dentil Moulding	OGDM	A-5	AC2	Quart of Stain	QST	A-41	
Ogee Moulding	OGM	A-5	AC2	Quattro		G-6, G-24	S&P
Ordering Procedures & Guidelines		Forms		R			
Order Corrections & Cancellations		Forms - see Ordering Procedures and Guidelines		Re-Sawn		G-13	
Order Correction Form		Forms		Recessed Toekick	RTK	M-6	AT6
Order Form		Forms		Red Oak Characteristics		G-3	S&P
Order Inquiries		Forms		Reduce Depth	RD	M-3	AT1
Outside Corner Mouldings	OC	A-4	AC2	Reduce Depth Accessory	RDA	M-3	AC25
Organizers for Metal Drawers		A-34		Reduce Height	RH	M-2	AT1
Organizers for Wood Drawers		A-36 – A-37		Reduce Height Accessory	RHA	M-3	AC25
Oven Cutout Forms		Forms		Reduce Width	RW	M-2	AT1
P				Reduce Width Accessory	RWA	M-3	AC25
Paint (13 oz. aerosol can)		A-41		Replace Arch Doors w/Square	SAUL	M-8	AT3
Paint Colors		G-11		Replace Drawers(s) w/False Front(s)	FFT	M-15	AT4
Palermo		G-6, G-61	S&P	Replace Single Drawer Front w/Double	2DF1	M-15	AT4
Panel Mouldings	PNMLD	A-4	AC2	Replace Square Doors w/Arch	ARCH	M-8	AT3
Panel Mouldings w/Inserts (2-Piece)		A-3		Ridgecrest		G-6, G-32	S&P
Pantry – 12" D	P_X12	T-18	T	Rift White Oak Characteristics		G-3	S&P
Pantry – 24" or 21" D	P	T-16	T	Roll-out Boxes (Loose)		A-32	
Pantry Larder Cabinet	PL	T-30 – T-31		Roll-out Trays		A-35	
Pantry Reverse Base, Mid, Vanity	PRB,M,V	T-24	T	Rope Mouldings	RM, RML, RMS	A-5	AC2
Pantry Reverse Base, Mid, Vanity 3-Drawer	PR	T-26	T	Rout for Glass	RFG	M-9	AT3
Pantry Reverse Base, Mid 4-Drawer	PR	T-28	T	Rustic Species Characteristics		G-3	S&P
Pantry Reverse Full Base: 12" D	PRF_X12	T-22	T				

Index

Description	Nomenclature	Page Number	20-20 Section	Description	Nomenclature	Page Number	20-20 Section
S							
Samples	DFOS, DOS, FFDRS	G-63		Strata		G-6, G-47	S&P
Sand Paint		G-11	S&P	Stratford		G-6, G-20	S&P
Sand-Through to Color or Wood		G-17	S&P	Suede Glaze or Highlighting		G-15	
Scarring		G-13		Swing-up Mixer Shelf	SUMS	A-38	AC18
Screw Caps	CAPS	A-41	AC19	T			
Screw Marks		G-13		Tall Bookcase	TBC	T-40	T
Screws (Connector)	SCREWS-C	A-41	AC19	Tall Bookcase Full Door	TBCF	T-42	T
Screws (Installation)	SCREWS-I	A-41	AC19	Tall Cabinets		T-1	T
Scribe Filler Plant-On	SFPO	A-18	AC4, F	Tall End Shelf	TES	T-45	T
Scribe (Moulding Scribe)	MS	A-4	AC2	Tall Filler Pull-out Spice Rack	TFPS	T-44	T
Scribe Moulding (Exotic Wood Veneer only)	SM96	A-6	AC	Tall Filler Pull-out Stainless Steel	TFPSS	T-44	T
Sealer Only		G-11, G-12	S&P	Thermofoil Doors		G-53 – G-54	
Self-Edge Options	SE	A-8	AC2	Thermo Structured Surface (TSS) doors		G-55 – G-56	S&P
Self Edge 1-1/2" H	SE	A-8	AC2	Tiburon		G-55, G-56	S&P
Self Edge 1-3/4" H	SE_2	A-8	AC2	Tip-out Trays	T0	A-36	AC18
Shaker		G-6, G-23	S&P	Toeboard Front	14TBF	A-18	AC2
Shalimar		G-6, G-19	S&P	Toekick Brackets	TKB	A-11	AC12, B
Sheen		G-12		Toekick Corner Brackets	TKCB	A-11	AC12, B
Shelves (Loose)	AS, USK, ASWCC, ASWCA	A-22	AC15	Toekick Insert Radius	TKI-RAD	A-11	AC12, B
Shims - Wood Installation	SHIMS	A-41	AC19	Toekick Valances		A-11	
Siena		G-6, G-61	S&P	Toekick Valance Arched	TKVAL	A-10	AC3, B
Silhouette		G-6, G-54	S&P	Toekick French Valances	TKV-F_	A-11	AC3, B
Sink Base Wood Door Storage Rack	DSTR	A-38		Touch-up Kit	TUK	A-41	AC21
Sink Cabinet Floor Liner	LNRSS	A-41	AC20	Towel Rack Pull-out	POTR	A-39	AC18
Single Trash Pull-out	TPO1	A-40	AC18	Towson Door Style (Greenlam)	TWS	G-58	S&P
Solano	SOL	G-6, G-43	S&P	Trash Pull-outs	TPO	A-40	AC18
Solid Wood Doors		G-42		Tray Dividers	TD12, TD18	A-38	AC18
Special Product Requests	SPR	Forms		Trio		G-6, G-40	S&P
Spice Drawers	SD	W-82	W	Tuscany		G-6, G-54	S&P
Spice Rack - Door Mount (Wood)	DSR	A-38		Two-piece Crown and Panel Mouldings w/Inserts		A-3	
Spice Rack Tray (Wood)	WSRT	A-37	AC18	U			
SPR Form & Guidelines	SPR	Forms		Under Mount Full-Extension Guides	UMFEG	A-33	
Springwood		G-6, G-33	S&P	Under Sink Pull-out	SPOWB	A-39	
Square Upper Arch Lower	SUAL	M-8		Under sink Pull-out Caddy	USPOC	A-37	
Stain (by the quart)		A-41		Understanding Your Acknowledgement		Forms	
Stain Colors		G-11		Under Range Panel	URP	A-18	AC2, B
Stainless Steel Doors	S01, S02	M-13		Unfinished		G-11, G-12	S&P
Stainless Steel Floating Shelves	FS	W-92		Universal Oven – 1 Deep Drawer	UOV_1D	T-36	T
Standard Filler	SF	A-18	AC4, F	Universal Oven – 1 Shallow Drawer	UOV_1S	T-34	T
Standard Gloss		G-12		Universal Oven – 1 Shallow Drawer, Short Upper	UOV_1SS	T-34	T
Stemware Holder (Wood)	STEM	A-38	AC18, AT7	Universal Oven – 2-Drawer	UOV_2	T-36	T
Stemware Holder (Wire)	STEM1, STEM4	A-39		Universal Oven – 3-Drawer	UOV_3	T-38	T
Straight Crown (Exotic Wood Veneer only)	SC96	A-6	AC	Universal Oven – Full Base	UOV_FB	T-38	T
Straight Valance	SVAL	A-10	AC3	Universal Oven – No Drawer	UOV_ND	T-32	T

Index

Description	Nomenclature	Page Number	20-20 Section	Description	Nomenclature	Page Number	20-20 Section
Universal Oven – No Drawer, Short Upper	UOV_NDS	T-32	T	Wall 2-Drawer	W2D	W-58	W
Utility – 12" D	U_X12	T-6	T	Wall 3-Drawer	W3D	W-64	W
Utility – 24" or 21" D	U	T-4	T	Wall Angle Back	WAB	W-88	W
Utility Door Rack	UDR	T-10	T	Wall Appliance Garage	WAG	W-22	W
Utility Pull-out	UP	T-15	T	Wall Bookcase: 18", 24", 30", 33", 36", H	WBC	W-66	W
Utility Pull-out Chrome	UPO	T-14	T	Wall Bookcase: 42", 45", 48", 51", 54", 60" H	WBC	W-68	W
Utility Roll-out	URO	T-8	T	Wall Bookcase 1-Drawer	WBC1D	W-60	W
Utility Shelf Kit (Loose)	USK	A-22	AC15	Wall Bookcase 2-Drawer	WBC2D	W-62	W
Utility Swing-out Shelves Pantry	USOS	T-12	T	Wall Bookcase 3-Drawer	WBC3D	W-64	W
Utility Tray Insert (Wood)	WUT	A-37		Wall w/Lidstay	W_LS	W-33	W
V				Wall w/Vertical Bifold: 24", 27", 30" H	W_VB	W-38	W
Valances		A-9 – A-11, M-5	AC3, AT5	Wall w/Vertical Lift: 12", 15", 18" H	W_VL	W-34	W
Valley Forge		G-6, G-25	S&P	Wall w/Vertical Lift: 21", 24" H	W_VL	W-36	W
Vanilla Glaze or Highlighting		G-15		Wall Cabinets		W-1	W
Vanity, Mid & Grand	V	V-6	V	Wall Corner Angle	WCA	W-42	WC
Vanity, Mid & Grand 2-Drawer	V2D	V-24	V	Wall Corner Angle Shelf (Loose)	ASWCA	A-22	AC15
Vanity, Mid & Grand 3-Drawer	V3D	V-26	V	Wall Corner Angle Appliance Garage	WCAAG	W-56	WC
Vanity, Mid & Grand Apothecary Drawer	VAD	V-28	V	Wall Corner Angle Appliance Garage Lazy Susan	WCAAG_LS, WCAAG_LSW	W-57	WC
Vanity, Mid & Grand Bookcase	VBC	V-24	V	Wall Corner Angle Double-Entry	WCADE	W-44	WC
Vanity Cabinets		V-1	V	Wall Corner Angle Double-Entry Lazy Susan	WCADE_LS, WCADE_LSW	W-44	WC
Vanity, Mid & Grand Combination	VCOM	V-16	V	Wall Corner Angle Lazy Susan	WCA_LS, WCA_LW	W-42	WC
Vanity Cross Sections		V-2	V	Wall Corner Angle Stacked Doors	WCAS	W-46	WC
Vanity, Mid & Grand End Shelf	VES	V-32	V	Wall Corner Angle Stacked Doors Lazy Susan	WCAS_LS, WCAS_LSW	W-46	WC
Vanity Grand Cross Sections		V-4	V	Wall Corner Cabinet	WCC	W-42	WC
Vanity Grand 4-Drawer	VG4D	V-26	V	Wall Corner Cabinet Asymmetrical LEFT	WCC_	W-48	
Vanity Grand Hamper	VGH	V-18	V	Wall Corner Cabinet Asymmetrical RIGHT	WCC_	W-52	
Vanity Grand Sink 4-Drawer	VGS4D	V-22	V	Wall Corner Cabinet Stacked Doors	WCCS	W-47	WC
Vanity Mid Cross Sections		V-3	V	Wall Corner Cabinet Stacked Asymmetrical LEFT	WCCS_	W-50	
Vanity Mid 4-Drawer	VM4D	V-26	V	Wall Corner Cabinet Stacked Asymmetrical RIGHT	WCCS_	W-54	
Vanity Mid Sink 4-Drawer	VMS4D	V-22	V	Wall Corner Cabinet Shelf (Loose)	ASWCC	A-22	AC15
Vanity, Mid & Grand Reverse	VR	V-16	V	Wall Cross Sections		W-2 – W-4	W
Vanity, Mid & Grand Sink	VS	V-10	V	Wall Display	WD	W-79	W
Vanity, Mid & Grand Sink 3-Drawer	VS3D	V-20	V	Wall Double-Entry: 18", 24", 30" H	WDE	W-16	W
Vanity, Mid & Grand Sink Angle	VSA	V-28	VC	Wall End Angle	WEA	W-88	W
Vanity, Mid & Grand Square Corner	VSC	V-14	VC	Wall End Cabinet	WEC	W-88	W
Veneer Doors		G-42 – G-48	S&P	Wall End Shelf – 12" W	WES	W-90	W
Vertical Grain Fir, VG Fir		G-3	S&P	Wall End Shelf – 6" W	WES	W-90	W
Vertical Mullion Top	VT	M-10	AT3	Wall Filler Pull-out Spice Rack	WFPS	W-78	W
W							
Wall – 12", 14", 15", 18" H	W	W-6	W				
Wall – 21", 24", 27" H	W	W-8	W				
Wall – 30", 33", 36" H	W	W-10	W				
Wall – 39", 42" H	W	W-12	W				
Wall – 24" Deep: 12" - 27" H	W_X24	W-14	W				
Wall 1-Drawer	W1D	W-32	W				

Index

Description	Nomenclature	Page Number	20-20 Section
Wall Filler Pull-out Stainless Steel	WFPSS	W-78	W
Wall Hutch Cabinet: 48", 54", 60" H	WHC	W-70	W
Wall Letter Organizer – 12"	WLO_12	W-86	W
Wall Letter Organizer – 6"	WLO_6	W-84	W
Wall Open Cubbyhole	WOCH	W-79	W
Wall Open Letter Organizer – 12"	WOLO_12	W-86	W
Wall Open Letter Organizer – 6"	WOLO_6	W-84	W
Wall Open Plate Display	WOPD	W-80	W
Wall Open Spice Drawers	WOSD	W-82	W
Wall Pantry Pull-out	WPP	W-76	W
Wall Plate Display	WPD	W-80	W
Wall Pull-out Stainless Steel	WPSS	W-76	W
Wall Spice Drawers	WSD	W-82	W
Wall Spice Rack Wood	WSRW	W-76	W
Wall Square Corner: 18", 24" H	WSC	W-24	WC
Wall Square Corner: 30", 33", 36", 39", 42" H	WSC	W-26	WC
Wall Square Corner Double-Entry: 18", 24", 30" H	WSCDE	W-30	WC
Wall Square Corner Stacked Doors	WSSC	W-28	WC
Wall Stacked Doors: 12" – 24" W	W2SDR	W-18	WC
Wall Stacked Doors: 24DD" – 36" W	W4SDR	W-20	W
Wall Toekick	WTK	M-6	W
Wall Vanity	WV	V-33	V
Wall Wine Rack Diagonal	WWRD	W-12	W
Wall Wine Rack Lattice	WWRL	W-72	W
Wall Wine Rack - X Grid	WWRX	W-74	
Warranty		Forms	
Warranty Orders		Forms - see Ordering Procedures and Guidelines	
Weaved Pattern Accessories		A-16	
Wine Bottle Rack (Double)	DBR	A-39	
White or Crème Painted Materials		A-1	
Windsor		G-6, G-15	S&P
Winterset		G-6, G-39	S&P
Wood Cutlery Tray Insert	WCT	A-35	
Wood Door Mount Spice Rack (Loose)	DSR	A-36	
Wood Door Mount Spice Rack (Cabinet)	WSRW	W-56	W
Wood Door Storage Rack - Sink Base	DSTR	A-36	
Wood Drawer Divider	WDD	A-35	
Wood Installation Shims	SHIMS	A-39	AC19
Wood Knife Block Insert	WKBT	A-35	
Wood Species Characteristics		G-4	
Wood Spice Rack Tray	WSRT	A-35	
Wood Utility Tray Insert	WUT	A-35	
Wood Veneer Doors		G-42 – G-48	S&P
Worm Holes		G-9	
Worn Edges		G-9	

Index

<< Intentionally Blank >>