



**Katana**  
**P&S Guide Update**  
**October 2018**

**IN THIS UPDATE: New TSS Color Options and Maintenance Edits**

<b>NEW TSS</b>	<p><b>New Pages</b></p> <p>13, 23, 75, 82, 92</p>	<p><b>New TSS Colors:</b>  TSS colors Aspen Oak, Cypress, Vineyard Oak and Whitesand now available on Trinity door style. Scribe Moulding (MS96) and Toeboard Front (TBF96) added to TSS offering.</p> <p><b>Discontinue:</b>  Door style Metro and TSS colors Camel, Serengeti and Chestnut</p>
<b>ACCESSORIES</b>	<p><b>New Pages</b></p> <p>78</p> <p>84</p> <p>92</p>	<p><b>Discontinue:</b>  Light Valances 2-1/2" H (LV2.5X96_ and LV2.5X120_)</p> <p><b>Maintenance Edit:</b>  Rift White Oak not available in 1/4" Finished Panel - Loose 14FP9648</p> <p><b>Maintenance Edit:</b>  Loose drawer guides are now \$75 MSRP for package of 2</p>
<b>MISC.</b>	<p><b>New Pages</b></p> <p>31, 45, 71, 72, 73</p>	<p><b>Maintenance Edit:</b>  Clarification on oven shelf and cleat location when custom cutout vs. standard cutout</p>

>> This page intentionally blank <<

# Katana

## Price & Specifications



Your Style With Our Solutions Creates Home

CANYON CREEK  
Cabinet Company

# Table of Contents

Frameless Cabinet Construction & Reveals .....	3
Packaging .....	3
Wood Species Characteristics .....	4
Stain & Paint Selections .....	4
Finish Enhancements (Glaze) .....	5
Edge Details .....	5
Sample Door & Drawer Fronts .....	5
Modifications .....	6-8
Warranty .....	10
Order Form .....	11-12
Door Quick Reference .....	13
Door Style Specifications .....	14-23
Wall .....	25-38
Base .....	39-48
Full Base .....	49-53
Vanity .....	54-63
Tall .....	64-73
Accessories .....	74-102

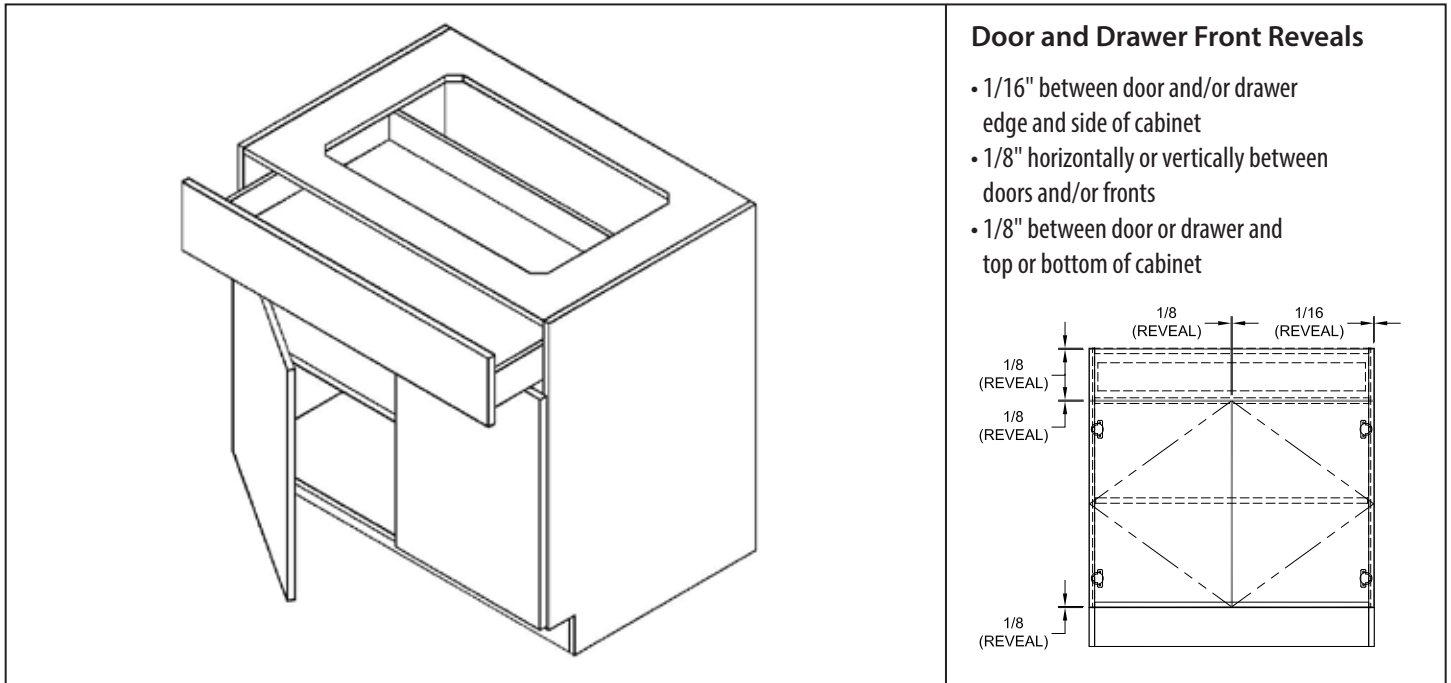
## **Katana Cabinetry**

Canyon Creek's Katana cabinetry line is designed to provide a high-quality product in a price-competitive marketplace.

Benefits include:

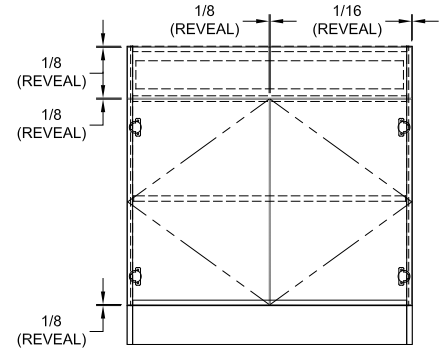
- Fully assembled frameless cabinetry
- Built in Monroe, WA
- Four-week lead time unless otherwise specified
- Three-year warranty
- Durable, low-VOC finish

# Frameless Cabinet Construction



## Door and Drawer Front Reveals

- 1/16" between door and/or drawer edge and side of cabinet
- 1/8" horizontally or vertically between doors and/or fronts
- 1/8" between door or drawer and top or bottom of cabinet



### Cabinet Box

- 5/8" thick particleboard (PBD) or plywood upgrade (PLY) on top, bottom, sides, toekicks and spreaders
- 1/2" thick captured back with 5/8" thick concealed hanging rail
- Wood dowel and glue joinery
- 5mm holes for adjustable shelves
- Solid Top construction on Walls, Talls & cabinets under 15" W or D
- Single piece top with cutout(s) for assembly/install on most Base and Vanity cabinets that are a min. of 15" W and 15" D

**Note:** PLY construction upgrade has a 15% up-charge applied (per order)

### Adjustable Shelves

- 3/4" thick full depth particleboard (PBD) in white melamine with 0.18 white PVC edge or plywood (PLY) with WGL and compatible PVC edge
- Open cabinets (ex. bookcases) have 3/4" PBD or PLY finished to match door (FMI)
- Adjust in 1-1/4" increments
- Clear plastic locking shelf clips

### Interior Finish

- Particleboard box**
  - White Melamine (MWH)
- Plywood box**
  - Woodgrain Laminate (WGL)
- Open cabinets** (ex. Bookcases)
  - PBD or PLY finished to match door
- Modifications**
  - Finish interior to match door (FMI)

### Exterior

- Exterior is unfinished (unless noted)
- Front box edges are banded with PVC tape in a color that is compatible to door/drawer face
- Finished options can be ordered for each cabinet: Integral Finished Ends (IFE, IFTOP, IFBOT)
  - \*see edge tape note below

### Edge Tape

- Standard: PVC 0.6mm thick, color is compatible with door face
- TSS doors: 1mm thick ABS
- Pacifica door: 0.5mm thick PVC matches door face
- Paragon door: 1mm thick PVC is Aluminum color
- Finished ends IFE, IFTOP, IFBOT: (except TSS & HG-HPL) edges are banded with wood tape & finished to match door/drawer face
  - Wood tape edges will not be an exact match to PVC taped edges

### Drawer/Roll-out Guides

- Under Mount Full-Extension soft-close. Load capacity up to 75 lbs. (includes weight of drawer)

### Drawers and Roll-outs

- 1/2" solid wood dovetail (SWD) with 1/4" captive bottom on front and sides

### Doors and Drawer Fronts

- Most drawer fronts are horizontal grain (unless otherwise noted)
- Edge details "profiles" and material are unique to the door style
- See door style pages for details

### Hinges

- Concealed, 110° with integrated soft-close system
- Doors over 36" in height will have three hinges per door

## Packaging

**OPTIONS:** Must be specified on your orders ([see options in CC Business](#))

Carton (C): Requirement for some cabinets \$52 MSRP/box  
 Heavy-Duty Cartoning (H) applies to cabinets only \$71 MSRP/box  
 Facewrap (FW) Only available for local CC Truck deliveries (\$0)

**NOTE:** The cabinet graphics throughout the book are only a representation of the products offered. Please carefully read specs, notes and modification rules for each item prior to ordering.

# Wood Species Characteristics

Wood components used in cabinetry are a product of nature and include a variety of characteristics. Color variation within a wood species is influenced by a number of factors such as moisture and mineral content of the soil, exposure to sunlight and genetic makeup. Changes in climate, growth rate, soil conditions and damage are a few of the factors that contribute to grain pattern. The tree diameter and type of cut determines the growth ring size and orientation, which in turn affects the grain pattern and color. All of these variations combine to produce unique characteristics that provide the beauty and essence of natural wood.

All woods change color over time. The amount of change varies depending on the wood species, type of cut, exposure to natural light, and amount and color of stain pigment used. While color samples give a general idea of the appearance of a specific stain color and wood species combination, it is impossible to represent all of the grain patterns, wood and stain colors, and natural variations that will occur. Because of this, we recommend viewing the largest sample possible before making a final species and color selection.

**Alder:** Moderately light, somewhat soft hardwood grown primarily in the Northwest has minimal grain patterns with a smooth surface. **Characteristics:** Pin knots, grain “fuzz,” mineral streaks. **Color:** Very white to tan and pale pinkish brown. Clear, light stain colors accentuate differences.

**Color:** Off-white to light red to dark reddish brown. Greenish hue may be seen when finished Natural. **Note:** Exposure to sun or natural light causes Cherry to darken. Color changes over time can be dramatic, and will be enhanced with light or clear finishes.

**Rustic Alder:** Like Alder, but may contain a higher number of mineral streaks plus burling grains, natural color and grain variations, naturally occurring cracks, grain roughness and knots. Open knots, when present, may be up to 1/2" but they must be structurally sound, without sharp edges that may create a hazard for the end user.

**Maple:** Stiff, strong, and heavy with tight, uniform grain patterns and a smooth surface. **Characteristics:** Burl grain, pin knots, heartwood stains, mineral streaks, tiger stripes and caramelizing. **Color:** Varies from nearly white to yellow, pink, light purple and slightly reddish brown; natural resins will cause Maple to yellow or amber over time. Exposure to sun or natural light speeds up this process, and it becomes more obvious when light-colored stains or clear finishes are used.

The presence of Rustic characteristics cannot be guaranteed on each piece, and the quantity, size, placement and color of Rustic attributes will vary. Veneer panels and mouldings will be manufactured using clear material.

**Red Oak:** Dense, heavy wood, very hard and stiff with an open and prominent grain pattern. **Characteristics:** Mineral streaks, mineral stains, sap stain, ray flecks, pin or closed (sound) knots. **Color:** Light tan to grey, dark brown, and pink to medium red-brown.

**Cherry:** Moderate in hardness, weight and strength with a fine to medium grain pattern and a relatively smooth surface. **Characteristics:** Mineral streaking, pin knots, gum spots, sapwood.

**Rift White Oak:** Vista door style only. See our website for characteristics.

## Stain & Paint Selections

NOTE: See individual door pages for species availability

STAINS	Cayenne	Chicory	Cinnamon	Dune	Ebony-Matte	Espresso	Graphite	Kona	Pecan	Sea Drift	Sable
All Species	X	X	X	X	Maple	X	X	X	X	X	X

PAINTS	Cornsilk	Crème	Icing	Sage	Thunder	White	Please read about edge tape material/colors on page 3
Maple/MDF	X	X	X	X	X	X	

### Gloss Level

- We offer “Standard”, “Matte” and “Lo-Luster” for almost all finishes.
- Gloss level (sheen) is determined by measuring the amount of light that reflects off a surface under prescribed conditions.
- Matte topcoat is altered to create a softer, more subtle look than Standard; Lo-Luster has less sheen than Matte. Physical properties and application process remain the same, so there is no difference in performance between gloss levels.
- All gloss levels contain “UV inhibitors” that reduce (not eliminate) discoloration from prolonged exposure to natural light. The presence of certain conditions (e.g. large windows with southern exposure, or direct exposure to sun) increase intensity of ultraviolet rays and may discolor the finish.
- Recommend viewing or ordering door samples prior to finalizing your order(s).

### Unfinished

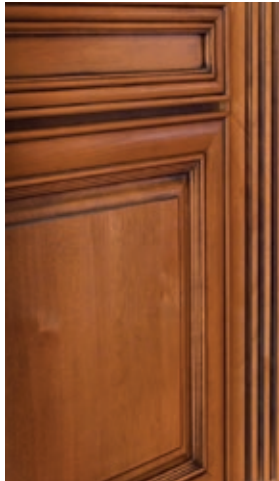
- Products are sanded prior to shipping; additional preparation may be required due to subsequent changes in moisture content of wood. Changes in moisture content can cause warping, cracking, splitting, spotting, and other undesirable effects.
- We do not recommend the sale of “Unfinished” product because it lacks protection from changes in moisture content. Because we are not completing the finish process, we will not be liable for warranty claims involving materials supplied unfinished.
- Customer assumes responsibility for all subsequent issues relating to the selection of “Unfinished” product. We make no representation of warranty, either written or implied, for these items.

# Finish Enhancement - Glaze

Many factors determine the final appearance of Glaze, such as door style, edge detail, wood species, and stain/glaze selections. Glaze is applied by hand, so the amount, density and strength will vary from one piece to the next. The wide range of product options combine with the technique of the individual applying the glaze to create a look that is truly unique.

**We strongly recommend that a sample door is viewed prior to placing an order (see below).**

Samples are only a representation of the general characteristics that occur when a specific door style, wood species, finish and Glaze color are chosen, and actual product may vary from the sample viewed.



## Glaze (+5%) Chocolate, Licorice, Pewter, Suede or Vanilla

- Glaze material is flooded over surface, hand-wiped to create an aged or antiqued look unique to each piece, then sealed with a topcoat. Glaze "hang up" will be heavier on styles with sharp crevices in panel or edge details.
- Woods with open grain, such as Red Oak, will retain more Glaze material, which accentuates the grain pattern
- Styles with smooth, sloping, or rounded details, and woods with tight grains, such as Maple, Cherry and Alder retain very little to no Glaze material
- Glaze may not be visible on flat surfaces
- Glaze can be somewhat transparent, therefore we do not recommend combining Glazes with similar colored stains and paint colors
- The addition of Glaze may alter the base color, so we strongly recommend obtaining a sample in the exact style, species, base and Glaze color
- Not available with Ebony stain or Unfinished
- Vanilla Glaze is not available with Cornsilk, Crème and White paints.

## Edge Details

All Katana door styles have a specific edge detail that is unique for the door. A drawing of the profile and name is located below each door style picture.

Valance and Backsplash material is available with a variety of edge details. See Accessories section for options.

Decorative hardware is required for all Katana doors and can be ordered from our Accessories section.

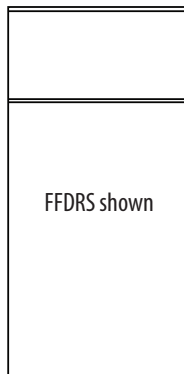
## Sample Door & Drawer Fronts

Recommended prior to placing an order, especially when choosing a finish enhancement

- DOS-PH\_ is prepped for and includes a Pin Hinge used to hang-on door sample racks
- DOS-RACK: predrilled and holds 39 DOS-PH (mounting screws not included)
- Modifications not available
- Lead times vary from 10 to 15 business days, based on door style and quantity ordered

### Not available in:

- Metal door frames
  - May be ordered as 'DOOR-NH' priced per sq/inch (see pg. 90)



### SAMPLES

ITEM	DESCRIPTION	MSRP
DFOS*	Drawer Front only	\$46
DOS	Door only w/no hinge prep	\$98
DOS-PH (L/R)	Door only w/Pin Hinge & prep	\$135
FFDRS*	Back panel, door & drawer front	\$181
	*Specify Slab or DFMD	
DOS-RACK	Aluminum door sample rack	\$605

### Dimensions:

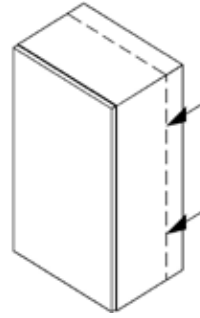
- DFOS\*: 11-1/2" W x 5-7/8" H
- DOS: 11-1/2" W x 16-1/2" H
- FFDRS\*: (panel w/door & front attached)
  - Back Panel: 12" W x 24-1/2" H (3/4" thick)
  - Dwr Front: 11-7/8" W x 5-7/8" H
  - Door: 11-7/8" W x 18-1/4" H
- DOS-RACK: (2) 2" x 2" x 60" (1/8" thick)

# Modifications – Cabinet sizes, construction and rout for glass

## Reduce Depth (RD)

Use RD modification when a deeper cabinet of same width, height and configuration is offered

- Apply RD modification to the next deeper, same width, height and configuration cabinet (Example: W4218X24, RD21)
- Reduce depth in 1" increments (whole inches, no fractions)
- Cabinets with drawers are available only in 15", 18", 21" and 24" depths
- Depth modifications not available for corner cabinets
- Depth limits vary depending on cabinet configuration; refer to individual cabinet specifications for applicable size restrictions, information specific to each configuration, and exceptions to guidelines listed above

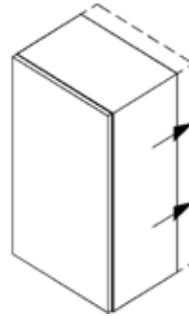


	MSRP
RD	0

## Increase Depth (ID)

Use ID modification on select wall cabinets when a deeper cabinet of same width, height and configuration is not offered

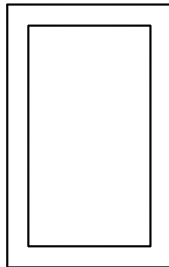
- Apply ID modification to next deeper, same width, height and configuration cabinet (Example: W4218, ID15)
- Increase depth in 1" increments (whole inches, no fractions)
- Depth limits vary depending on cabinet configuration; refer to individual cabinet specifications for applicable size restrictions, information specific to each configuration, and exceptions to guidelines listed above



	MSRP
ID	0

## Rout for Glass (RFG)

- Door(s) with Rout for Glass instead of a panel
- Availability is specific to door styles
- Stiles, rails and most other door style characteristics matches your door selection
- Glass and stop not provided



### • Cabinet Size Limits:

- Min. cabinet width allowed 12" W
- Min. cabinet height allowed 12" H

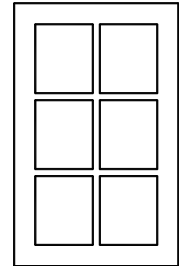
### • Door Size Notes:

- Door pages show spec limits for loose doors
- Center rail added to doors over 52" H
- No center rail added to Mitered doors

Price is per door	MSRP
RFG (M&T or Mitered)	130

## Mullion Grid Door (MGD)

- Door(s) with Mullion Grids for glass
- Availability is specific to door styles
- Stiles, rails and most other door style characteristics matches your door selection
- Glass and stop not provided



### • Cabinet Size Limits:

- Min. cabinet width allowed 12" W
- Min. cabinet height allowed 18" H

### • Door Size Notes:

- Door pages show spec limits for loose doors
- Center rail added to doors over 52" H
- No center rail added to Mitered doors
- Qty. of grids depends on door height

Price is per door		MSRP
MGD	M&T	380
MGD	Mitered	475

## Construction Upgrade (PLY/WGL)

- Replace PBD construction with White Melamine interior (PBD/WM) to PLY construction with Woodgrain Laminate interior (PLY/WGL)
- Upgrade is per order, Global option only
- PLY option is applied to all applicable cabinets & accessories on an order
  - WGL will not be applied to items that come standard with FMI (ex. bookcase cabinets)
- Up-charge is applied to complete order total (except for shipping charges)

Price is per order	Up-charge
PLY/WGL	15%



# Modifications - Integral Finished Ends, Top, Bottom and Finished Interior

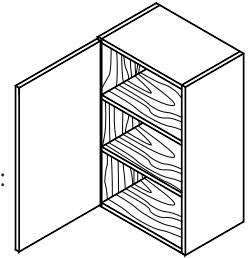
## Integral Finished End Wall (IFE\_)

- Specify Right (R) or Left (L)
- Edge tape on finished side(s) is wood, finished to match door/drawer face (except TSS, which is ABS and HG-HPL which is PVC)

12" W	MSRP	24" W	MSRP
IFE1212*	94	IFE2412*	105
IFE1215*	96	IFE2415*	109
IFE1218*	101	IFE2418*	111
IFE1221*	105	IFE2421*	114
IFE1224*	109	IFE2424*	118
IFE1227*	114	IFE2427*	122
IFE1230*	118	IFE2430*	135
IFE1233*	122	IFE2433*	140
IFE1236*	127	IFE2436*	144
IFE1239*	131	IFE2439*	148
IFE1242*	135	IFE2442*	153
IFE1248*	144		
IFE1254*	157		
IFE1260*	167		

## Finished Interior (FMI\_)

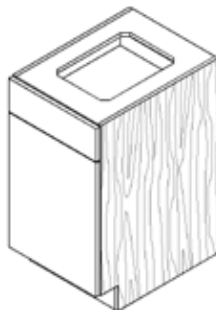
- Finished interior to match species and color of door
- Clear Veneer is provided when FMI is applied to Rustic species
- Cabinet construction changes to 3/4" thick construction
- **Only available** on wall cabinets: W1DR, W2DR, WCC, WCA, WCA\_LS, WCAAG and W\_LS-RFG
- Ex: W1836L, FMI
- **Note:** Some cabinets come standard FMI (noted w/cabinets)
- **Not available:** Thermofoil door styles



	MSRP
FMI	513

## Integral Finished End Base & Vanity (IFE\_B,M) Base/Vanity Grand, Mid-Base/Vanity & V. Wall

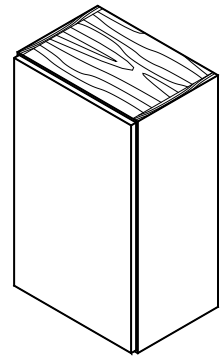
- Specify Right (R) or Left (L)
- Edge tape on finished side(s) is wood, finished to match door/drawer face (except TSS, which is ABS and HG-HPL which is PVC)
- Corner cabinets, which normally feature a void in the back, are not available with IFE (Ex: FBCC)



Base	MSRP
IFE12B*	140
IFE18B*	140
IFE21B*	153
IFE24B*	153
<b>Mid-Base</b>	
IFE12M*	140
IFE18M*	140
IFE21M*	147
IFE24M*	147
<b>Vanity Wall-hung</b>	
IFE2124	114

## Integral Finished Top (IFTOP\_)

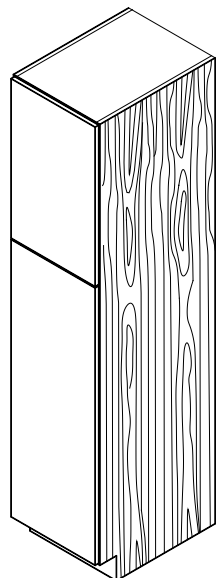
- Edge tape on finished top is wood, finished to match door/drawer face (except TSS, which is ABS and HG-HPL which is PVC)
- **Only available** on Wall and Tall cabinets



	MSRP
IFTOP	173

## Integral Finished End Tall (IFE\_)

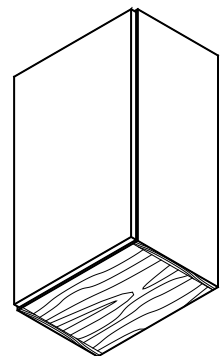
- Specify Right (R) or Left (L)
- Edge tape on finished side(s) is wood, finished to match door/drawer face (except TSS, which is ABS and HG-HPL which is PVC)
- Cabinets over 90" H ship with loose Toeckick: IFE will cover cabinet box portion only



12" W	MSRP
IFE1284*	236
IFE1290*	236
IFE1296*	236
<b>24" W</b>	
IFE2484*	334
IFE2490*	334
IFE2496*	334

## Integral Finished Bottom (IFBOT\_)

- Edge tape on finished bottom is wood, finished to match door/drawer face (except TSS, which is ABS and HG-HPL which is PVC)
- **Only available** on Wall cabinets



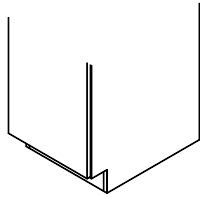
	MSRP
IFBOT	173

# Modifications - Toekicks

Toekick modifications are only allowed on Base, Tall and Vanity cabinets unless otherwise specified.

## Attach Toekick (ATK)

- Make Toekick an integral part of any cabinet taller than 90" that comes standard with loose Toekick
- When Installed Finished Ends are ordered, Toekick portion will be finished
- Ex: U3696x24, ATK



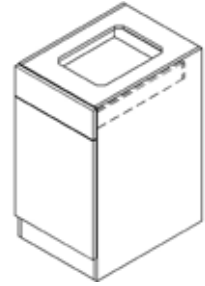
Cabinet over 90" H shown with Installed Finished End

	<b>MSRP</b>
ATK	59

Price is per cabinet

## Flush Toekick (FTK)

- Cabinet ends extend to floor
- Finished to match door
- Ex: B18R, FTK

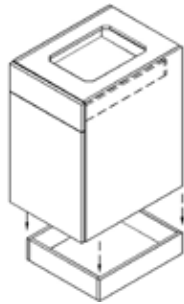


	<b>MSRP</b>
FTK	161

Price is per cabinet

## Loose Toekick (LTK)

- Remove Toekick from cabinet and ship loose
- When Installed Finished Ends are ordered, Toekick portion will not be finished
- **Not available** with FTK modification
- Ex: B30, NTK



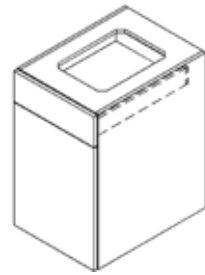
Assemble as shown

	<b>MSRP</b>
LTK	59

Price is per cabinet

## No Toekick (NTK)

- Remove standard Toekick, reducing overall height by 4-1/2"
- Ex: B30, NTK
- Overall height:  $34\text{-}1/2" - 4\text{-}1/2" = 30"$



	<b>MSRP</b>
NTK	42

Price is per cabinet

## Warranty: Katana Cabinetry

Canyon Creek Cabinet Company warrants to the original purchaser that Canyon Creek's cabinetry will be free from defects in material or workmanship that arise under normal use and service for the period of three years. This limited warranty goes into effect from the date of shipment and does not cover freight damage, accident, acts of God, misuse, negligence, alteration, abuse, improper storage, installation or removal. The warranty does not apply in the following circumstances:

- Normal wear and tear.
- Features and conditions that are inherent in the wood species, the style, the finish, or finish attributes.
- Natural variation in grain or color of wood, or any visible cracking around joint areas.
- Damage from exposure to extremes in temperature or humidity or the natural effects caused by aging of wood products and finishes due to the natural reaction of wood and finishes to UV light.

In addition, drawer guides and hinges on all cabinets have warranties provided by their respective manufacturers.

If a product is found to be defective under conditions of normal use and service within the three year warranty period, Canyon Creek Cabinet Company, at its sole discretion and following thorough reviews and inspections of the product, will either repair or replace the defective product.

- This is a parts warranty only and excludes labor for removal or replacement of defective parts.
- Due to the natural changes of wood products caused by aging and/or product specification changes, any replacement product may not be an exact match.
- Canyon Creek's liability under this warranty is expressly limited to replacement or repair of the product, and in no event shall Canyon Creek be liable in any way for consequential or incidental damages of any kind.
- Canyon Creek shall not be liable for any damage or errors resulting from or related to the installation or use of its products.

This warranty is offered only to the original purchaser of Canyon Creek cabinets at the original site of installation and is not transferable. This warranty applies only to cabinets or related products purchased through an authorized Canyon Creek dealer or contractor.

To file a warranty claim request, the original purchaser should contact the authorized Canyon Creek dealer or contractor where the product was purchased. Proof of original purchase is required. The authorized dealer or contractor will obtain the necessary information to complete a warranty request and forward the request in writing to Canyon Creek.

We reserve the right to make changes in materials and specifications for any cabinets without prior notification but we have no obligation to incorporate such changes in products that were previously manufactured.

This warranty is in lieu of all other warranties, express or implied, including warranties of merchantability and of fitness for a particular purpose, and we do not authorize any other person or company to assume on our behalf, any other liability in connection with the sale of our products. No representative of Canyon Creek has the authority to change or enlarge this warranty. This warranty is only valid in the United States and Canada. The terms of this warranty may vary from state to state and province to province.

**CANYON CREEK**  
Cabinet Company

**<< Intentionally Blank >>**



16726 Tye Street SE  
 Monroe, WA, 98272  
 www.canyoncreek.com

# Katana Frameless Cabinetry ORDER FORM

P.O. No.			Page	of
Sidemark		Salesperson		
Date		Salesprsn Phone		
Plan		Salesprsn Fax		

Account #		<input type="checkbox"/> New Const. <input type="checkbox"/> Remodel	Ship To	
Account Name			Address	
Contact				
Customer Phone				
Customer Fax			Jobsite Phone	
Req. Ship Date			Map Grid	
Ship Via			Stock	<input type="checkbox"/> Garage <input type="checkbox"/> In-Unit
Freight Billing			Layout	

Door Style		Door Species	
Edge Detail		Door Color	
Drawer Front		Glaze: <input type="checkbox"/> Y <input type="checkbox"/> N	Color:
Drawer Box		Gloss	
Box Material			

NOTES

LINE	QTY.	ITEM (Including Swing)	Modifications	MSRP	NET EXT.
1.					
2.					
3.					
4.					
5.					
6.					
7.					
8.					
9.					
10.					
11.					
12.					

<input type="checkbox"/> Warranty Request (Specify reason in Notes section above)		<b>Total</b>	
Original Order Number		<b>On factor</b>	
Approved by		<b>Shipping</b>	
		<b>TOTAL</b>	

**FX: 1-800-787-0131 | EM: orders@canyoncreek.com | Customer Service: 1-800-228-1830 x 299**



# Katana Frameless Cabinetry ORDER FORM

P.O. No.		Sidemark		Page	of
Customer					

LINE	QTY.	ITEM (Including Swing)	Modifications	MSRP	NET EXT.
13.					
14.					
15.					
16.					
17.					
18.					
19.					
20.					
21.					
22.					
23.					
24.					
25.					
26.					
27.					
28.					
29.					
30.					
31.					
32.					
33.					
34.					
35.					
36.					
37.					
38.					
39.					
40.					
41.					
42.					
43.					
44.					
45.					
46.					
47.					
48.					



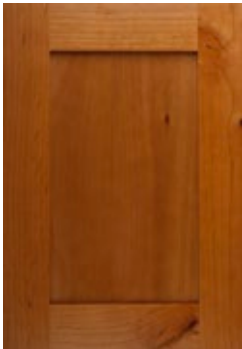



# Door Quick Reference

Wood Doors										HG-HPL, MDF, Thermofoil, TSS Styles							
Door Style	Page #	Price Point by Wood Species						Drawer Fronts		Door Style	Page #	Price Point by Material					Drawer Fronts
		Maple	Cherry	Alder	Rustic Alder	Red Oak	RWO	Slab	DFMD			HG-HPL	Maple/MDF Paint	MDF/Paint	Thermofoil	TSS	Slab
Amherst	17	K5	K5	K5	K4	K5		✓	-	Caravel	19	-	K4	-	-	-	✓
Apollo	15	K1	K4	K2	K2	K3		✓	-	Essex	19	-	K5	-	-	-	
Brighton	14	K1	K4	K2	K2	K3	-	✓	-	Jericho	21	-	-	-	K5	-	
Burlington	14	K1	K4	K3	K3	K3	-	✓	-	Kincaid	19	-	K4	-	-	-	
Dunsmuir	15	K1	K4	K2	K2	K2	-	✓	✓	Magnum	18	-	-	K3	-	-	
Edgewater	17	K4	K4	K4	K4	K4	-	✓	-	Neo	21	-	-	-	K1	-	
Frasier	16	K5	K5	K4	K4	K4	-	-	✓	Pacifica	22	K5	-	-	-	-	
Fremont	15	K5	K5	K5	K5	K5	-	✓	-	Paragon	22	K5	-	-	-	-	
Palentina	16	K5	K5	K3	K3	K3	-	✓	✓	Rockport	20	-	K5	-	-	-	
Pallanza	14	K1	K4	K2	K2	K2	-	✓	-	Sabre	18	-	-	K4	-	-	
Vista	18	K2	K4	K5	-	K2	K3	✓	-	Talladega	20	-	K4	-	-	-	
Yosemite	16	K5	K5	K5	K5	K5	-	-	✓	Trenton	21	-	-	-	K1	-	
										Trinity	23	-	-	-	-	K3	
										Ventura	20	-	K4	-	-	-	

## Door Styles: species/material by Price Point

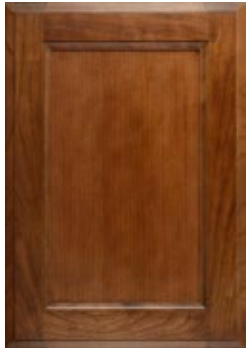






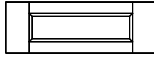
K1	K2	K3	K4	K5
Apollo Maple	Apollo Alder	Apollo Red Oak	Amherst Rustic Alder	Amherst Alder
Brighton Maple	Apollo Rustic Alder	Brighton Red Oak	Apollo Cherry	Amherst Cherry
Burlington Maple	Brighton Alder	Burlington Alder	Brighton Cherry	Amherst Maple
Dunsmuir Maple	Brighton Rustic Alder	Burlington Red Oak	Burlington Cherry	Amherst Red Oak
Neo Thermofoil	Dunsmuir Alder	Burlington Rustic Alder	Caravel Map/MDF/Paint	Essex Map/MDF/Paint
Pallanza Maple	Dunsmuir Red Oak	Magnum MDF/Paint	Dunsmuir Cherry	Frasier Cherry
Trenton Thermofoil	Dunsmuir Rustic Alder	Palentina Alder	Edgewater Alder	Frasier Maple
	Pallanza Alder	Palentina Red Oak	Edgewater Cherry	Fremont Alder
	Pallanza Red Oak	Palentina Rustic Alder	Edgewater Maple	Fremont Cherry
	Pallanza Rustic Alder	Trinity TSS	Edgewater Red Oak	Fremont Maple
	Vista Maple	Vista Rift White Oak	Edgewater Rustic Alder	Fremont Red Oak
	Vista Red Oak		Frasier Alder	Fremont Rustic Alder
			Frasier Red Oak	Jericho Thermofoil
			Frasier Rustic Alder	Pacifica HG-HPL
			Kincaid Map/MDF/Paint	Paragon HG-HPL
			Pallanza Cherry	Palentina Cherry
			Sabre MDF/Paint	Palentina Maple
			Talladega Map/MDF/Paint	Rockport Map/MDF/Paint
			Ventura Map/MDF/Paint	Vista Alder
			Vista Cherry	Yosemite Alder
				Yosemite Cherry
				Yosemite Maple
				Yosemite Red Oak
				Yosemite Rustic Alder

# Door Style Specifications










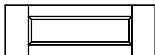
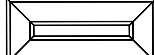
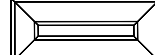
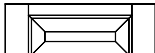
<p><b>Note:</b> Wood doors available in the stain colors shown on page 4</p> <p>See pages 18-20 for painted styles</p>	<b>Brighton</b>		<b>Burlington</b>		<b>Pallanza</b>		
							
							
	Brighton (BTN)		Burlington (BRL)		Pallanza (PLZ)		
Outside Edge Details	H		Standard		S		
Drawer Fronts	Slab		Slab		Slab		
<b>AVAILABLE SPECIES &amp; PRICE POINTS</b>							
Maple	K1		K1		K1		
Cherry	K4		K4		K4		
Alder	K2		K3		K2		
Rustic Alder	K2		K3		K2		
Red Oak	K3		K3		K2		
<b>DOOR CONFIGURATION &amp; SIZE LIMITS</b>							
<b>WIDTH</b>	Slab	4" - <8-1/2"		4" - <8-1/2"		4" - <7"	
	Single Square Pnl	≥8-1/2" - 27"		≥8-1/2" - 27"		≥7" - 27"	
	Dbl Sq Horiz Pnl	>27" - 42"		>27" - 42"		>27" - 42"	
	Hinged Door	Max. W is 24"		Max. W is 24"		Max. W is 24"	
<b>HEIGHT</b>	Single Square Pnl	8-3/4" - 52"		8-3/4" - 52"		8-3/4" - 52"	
	Dbl Vertical Panel	>52" - 73"		>52" - 73"		>52" - 73"	
<b>DOOR CONSTRUCTION</b>							
Type	M&T		M&T		M&T		
Panel Thickness	1/4"		1/4"		1/4"		
Stile Width	3"		3"		2-1/4"		
Rail Width	3"		3"		2-1/4"		
<b>PREP FOR GLASS OPTIONS</b>	<b>RFG</b>	<b>MGD</b>	<b>RFG</b>	<b>MGD</b>	<b>RFG</b>	<b>MGD</b>	
Width range	8-1/4" - 24"	10" - 24"	8-1/4" - 24"	10" - 24"	6-3/4" - 24"	10" - 24"	
Height range	8-3/4" - 60"	10" - 60"	8-3/4" - 60"	10" - 60"	5-1/2" - 60"	10" - 60"	



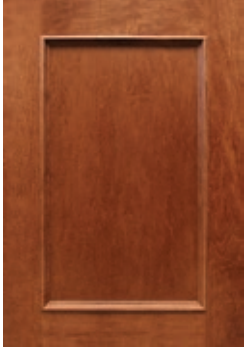
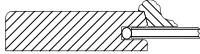

# Door Style Specifications

<p><b>Note:</b> Wood doors available in the stain colors shown on page 4</p> <p>See pages 18-20 for painted styles</p>	<b>Dunsmuir</b>  		<b>Apollo</b>  		<b>Fremont</b>  		
	Dunsmuir (DUN)		Apollo (APL)		Fremont (FRM)		
Outside Edge Details	B		Standard		H		
Drawer Fronts	Slab (\$0) or DFMD (\$156)		Slab only		Slab only		
<b>AVAILABLE SPECIES &amp; PRICE POINTS</b>							
Maple	K1		K1		K5		
Cherry	K4		K4		K5		
Alder	K2		K2		K5		
Rustic Alder	K2		K2		K5		
Red Oak	K2		K3		K5		
<b>DOOR CONFIGURATION &amp; SIZE LIMITS</b>							
WIDTH	Slab	4" - <7"		4" - <8-1/2"		4" - <8-1/2"	
	Single Square Pnl	≥7" - 27"		≥8-1/2" - 27"		≥8-1/2" - 27"	
	Dbl Sq Horiz Pnl	>27" - 42"		>27" - 42"		>27" - 42"	
	Hinged Door	Max. W is 24"		Max. W is 24"		Max. W is 24"	
HEIGHT	Single Square Pnl	8-3/4" - 52"		8-3/4" - 52"		8-3/4" - 52"	
	Dbl Vertical Panel	>52" - 73"		>52" - 73"		>52" - 73"	
<b>DWR FRONT HEIGHT CONFIGURATION &amp; SIZE LIMITS W/ DFMD OPTION</b>							
Will be slab	2-1/2" - <4-1/4"			N/A		N/A	
5-pc 1/4" recessed panel	4-1/4" - <18"			N/A		N/A	
<b>DOOR CONSTRUCTION</b>							
Type	M&T		M&T		M&T		
Panel Thickness	1/4"		1/4"		1/4"		
Stile Width	2-1/4"		3"		3"		
Rail Width	2-1/4"		3"		3"		
<b>PREP FOR GLASS OPTIONS</b>							
	RFG	MGD	RFG	MGD	RFG	MGD	
Width range	6-3/4" - 24"	10" - 24"	8-1/4" - 24"	10" - 24"	8-1/4" - 24"	10" - 24"	
Height range	5-1/2" - 60"	10" - 60"	7" - 60"	10" - 60"	10" - 60"	14" - 24"	




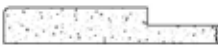


# Door Style Specifications

<p><b>Note:</b> Wood doors available in the stain colors shown on page 4</p> <p>See pages 18-20 for painted styles</p>	<b>Palentina</b>  		<b>Frasier</b>  		<b>Yosemite</b>  		
	Palentina (PLA)		Frasier (FRS)		Yosemite (YOS)		
Outside Edge Details	B		Standard		Standard		
Drawer Fronts	Slab (\$0) or DFMD (\$156)		DFMD only		DFMD only		
<b>AVAILABLE SPECIES &amp; PRICE POINTS</b>							
Maple	K5		K5		K5		
Cherry	K5		K5		K5		
Alder	K3		K4		K5		
Rustic Alder	K3		K4		K5		
Red Oak	K3		K4		K5		
<b>DOOR CONFIGURATION &amp; SIZE LIMITS</b>							
<b>WIDTH</b>	Slab	4" - <8-1/2"		4" - <7-1/2"		4" - <8-1/2"	
	Single Square Pnl	≥8-1/2" - 27"		≥7-1/2" - 27"		≥8-1/2" - 27"	
	Db'l Sq Horiz Pnl	>27" - 42"		N/A		N/A	
	Hinged Door	Max. W is 24"		Max. W is 24"		Max. W is 24"	
<b>HEIGHT</b>	Single Square Pnl	8-3/4" - 52"		8-3/4" - 73"		8-3/4" - 73"	
	Db'l Vertical Panel	>52" - 73"		N/A		N/A	
<b>DWR FRONT HEIGHT CONFIGURATION &amp; SIZE LIMITS W/ DFMD OPTION</b>							
Will be slab	2-1/2" - <4-1/4"		2-1/2" - <5-7/16"		2-1/2" - <5-7/16"		
5-pc 1/4" recessed panel	4-1/4" - <5-7/16"		5-7/16" - 18"		5-7/16" - 18"		
5-pc raised panel	5-7/16" - 18"		N/A		N/A		
<b>DOOR CONSTRUCTION</b>							
Type	Raised Panel M&T		Mitered		Mitered		
Panel Thickness	3/4"		1/4"		3/4"		
Stile Width	2-1/4"		2-1/4"		2-1/4"		
Rail Width	2-1/4"		2-1/4"		2-1/4"		
<b>PREP FOR GLASS OPTIONS</b>	<b>RFG</b>	<b>MGD</b>	<b>RFG</b>	<b>MGD</b>	<b>RFG</b>	<b>MGD</b>	
Width range	6-3/4" - 24"	10" - 24"	5-7/16" - 24"	10" - 24"	5-7/16" - 24"	10" - 24"	
Height range	7-3/4" - 60"	10" - 60"	5-7/16" - 60"	10" - 60"	5-7/16" - 60"	10" - 60"	


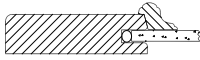

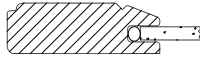


# Door Style Specifications

<p><b>Note:</b> Wood doors available in the stain colors shown on page 4</p> <p>Essex and Kincaid match these doors but are available painted (see page 19)</p>	<p><b>Amherst</b></p>  	<p><b>Edgewater</b></p>  	
	Amherst (AMH)	Edgewater (EDG)	
Outside Edge Details	H	Standard	
Drawer Fronts	Slab only		
<b>AVAILABLE SPECIES &amp; PRICE POINTS</b>			
Maple	K5	K4	
Cherry	K5	K4	
Alder	K5	K4	
Rustic Alder	K4	K4	
Red Oak	K5	K4	
Rift White Oak	N/A	N/A	
MDF	N/A	N/A	
<b>DOOR CONFIGURATION &amp; SIZE LIMITS</b>			
<b>WIDTH</b>	Slab	4" - <8-1/2"	4" - <8-1/2"
	Single Square Pnl	≥8-1/2" - 27"	≥8-1/2" - 27"
	DbI Sq Horiz Pnl	>27" - 42"	N/A
	Hinged Door	Max. W is 24"	Max. W is 24"
<b>HEIGHT</b>	Single Square Pnl	8-3/4" - 52"	8-3/4" - 73"
	DbI Vertical Panel	>52" - 73"	N/A
<b>DOOR CONSTRUCTION</b>			
Type	Recessed Panel M&T w/Applied Mldg	Mitered	
Panel Thickness	1/4"	1/4"	
Stile Width	2-5/8"	2-3/8"	
Rail Width	2-5/8"	2-3/8"	
<b>PREP FOR GLASS OPTIONS</b>	<b>RFG</b>	<b>RFG</b>	
Width range	8-1/2" - 24"	5-9/16" - 24"	
Height range	8-3/4" - 60"	8-3/4" - 60"	







# Door Style Specifications

<p><b>Note:</b> Vista available in the stain colors shown on page 4</p> <p>* Vista doors and fronts are vertical grain veneer. Doors and fronts are not sequentially matched on same cabinet or from one cabinet to the next</p> <p>Sabre and Magnum are offered in the paint colors shown on page 4</p>	<p><b>Vista</b></p>  	<p><b>Sabre</b></p>  	<p><b>Magnum</b></p>  	
	<p>Vista (VST)</p>	<p>Sabre (SBR)</p>	<p>Magnum (MAG)</p>	
Outside Edge Details	Standard	Standard	Standard	
Drawer Fronts	Slab only * (vertical grain)	Slab only		
<b>AVAILABLE SPECIES &amp; PRICE POINTS</b>				
Maple	K2	N/A	N/A	
Cherry	K4			
Alder	K5			
Rustic Alder	N/A			
Red Oak	K2			
Rift White Oak	K3			
MDF	N/A	K4	K3	
<b>DOOR CONFIGURATION &amp; SIZE LIMITS</b>				
<b>WIDTH</b>	Slab	4" - <42"	4" - <8-1/2"	4" - <42"
	Single Square Pnl	N/A	≥8-1/2" - 27"	N/A
	DbI Sq Horiz Pnl	N/A	>27" - 42"	N/A
	Hinged Door	Max. W is 24"	Max. W is 24"	Max. W is 24"
<b>HEIGHT</b>	Single Square Pnl	8-3/4" - 73"	8-3/4" - 52"	8-3/4" - 73"
	DbI Vertical Panel	N/A	>52" - 73"	N/A
<b>DOOR CONSTRUCTION</b>				
Type	Veneer	Routed HDF Panel	Slab	
Panel Thickness	3/4"	3/4"	3/4"	
Stile Width	N/A	3"	N/A	
Rail Width	N/A	3"	N/A	
<b>PREP FOR GLASS OPTIONS</b>		RFG		
Width range	N/A	9-1/4" - 24"	N/A	
Height range	N/A	9-1/4" - 60"	N/A	







# Door Style Specifications

<p><b>Note:</b> Essex, Kincaid and Caravel are offered in the paint colors shown on page 4</p> <p>Wood doors Amherst and Edgewater match these doors and are available stained (see page 17) Caravel matches Pallanza (see page 14)</p>	<p><b>Essex</b></p>  	<p><b>Kincaid</b></p>  	<p><b>Caravel</b></p>  	
	Essex (ESS)	Kincaid (KNC)	Caravel (CRV)	
<b>PRICE POINT</b>	K5	K4	K4	
Outside Edge Details	H	Standard	S	
Drawer Fronts	Slab only			
<b>AVAILABLE SPECIES</b>				
Species	Maple stiles & rails with MDF center panel for paint (0%)			
<b>DOOR CONFIGURATION &amp; SIZE LIMITS</b>				
<b>WIDTH</b>	Slab	4" - <8-1/2"	4" - <8-1/2"	4" - <7"
	Single Square Pnl	≥8-1/2" - 27"	≥8-1/2" - 27"	7" - 27"
	Dbl Sq Horiz Pnl	>27" - 42"	N/A	>27" - 42"
	Hinged Door	Max. W is 24"	Max. W is 24"	Max. W is 24"
<b>HEIGHT</b>	Single Square Pnl	8-3/4" - 52"	8-3/4" - 73"	8-3/4" - 52"
	Dbl Vertical Panel	>52" - 73"	N/A	>52" - 73"
<b>DOOR CONSTRUCTION</b>				
Type	Recessed Panel M&T w/Applied Mldg	Mitered	M&T	
Panel Thickness	1/4"	1/4"	1/4"	
Stile Width	2-5/8"	2-3/8"	2-1/4"	
Rail Width	2-5/8"	2-3/8"	2-1/4"	
<b>PREP FOR GLASS OPTIONS</b>	RFG	RFG	RFG	MGD
Width range	8-1/2" - 24"	5-9/16" - 24"	6-3/4" - 24"	10" - 24"
Height range	8-3/4" - 60"	8-3/4" - 60"	5-1/2" - 60"	10" - 60"



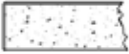


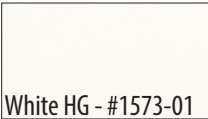
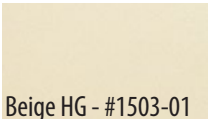




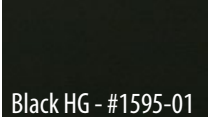
# Door Style Specifications

<p><b>Note:</b> Talladega, Ventura and Rockport are available in the paint colors listed on page 4</p>	<p><b>Talladega</b></p>  	<p><b>Ventura</b></p>  	<p><b>Rockport</b></p>  			
	Talladega (TLL)	Ventura (VEN)	Rockport (RCK)			
<b>PRICE POINT</b>	K4	K4	K5			
Outside Edge Details	B	Standard	B			
Drawer Fronts	Slab only					
<b>AVAILABLE SPECIES &amp; UP-CHARGES</b>						
Species	Maple stiles & rails with MDF center panel for paint (0%)					
<b>DOOR CONFIGURATION &amp; SIZE LIMITS</b>						
<b>WIDTH</b>	Slab	4" - <7"	4" - <8-1/2"	4" - <8-1/2"		
	Single Square Pnl	≥7" - 27"	≥8-1/2" - 27"	≥8-1/2" - 27"		
	Dbl Sq Horiz Pnl	>27" - 42"	>27" - 42"	>27" - 42"		
	Hinged Door	Max. W is 24"	Max. W is 24"	Max. W is 24"		
<b>HEIGHT</b>	Single Square Pnl	8-3/4" - 52"	8-3/4" - 52"	8-3/4" - 52"		
	Dbl Vertical Panel	>52" - 73"	>52" - 73"	>52" - 73"		
<b>DOOR CONSTRUCTION</b>						
Type	Recessed MDF Panel M&T	Recessed MDF Panel M&T	Raised MDF Panel M&T			
Panel Thickness	1/4"	1/4"	3/4"			
Stile Width	2-1/4"	3"	2-1/4"			
Rail Width	2-1/4"	3"	2-1/4"			
<b>PREP FOR GLASS OPTIONS</b>	RFG	MGD	RFG	MGD	RFG	MGD
Width range	6-3/4" - 24"	10" -30"	9-1/4" -24"	10" -30"	6-3/4" - 24"	10" -30"
Height range	8-3/4" -60"	10" -60"	7" -60"	10" -60"	8-3/4" -60"	10" -60"

# Door Style Specifications

<b>Note:</b> Thermofoil styles available in White or Crème	<b>Neo</b>  	<b>Trenton</b>  	<b>Jericho</b>  	
	Neo (NEO)	Trenton (TTN)	Jericho (JRC)	
<b>PRICE POINT</b>	K1	K1	K5	
Outside Edge Details	Standard	Standard	Standard	
Drawer Fronts	Slab only			
<b>THERMOFOIL DOORS</b>				
Material & Colors	White or Crème Thermofoil (0%)			
<b>DOOR CONFIGURATION &amp; SIZE LIMITS</b>				
<b>WIDTH</b>	Slab	4" - 42"	4" - <7"	4" - <8-1/2"
	Single Square Pnl	N/A	≥7" - 30"	≥8-1/2" - 30"
	DbI Sq Horiz Pnl	N/A	>30" - 42"	>30" - 42"
	Hinged Door	Max. W is 24"	Max. W is 24"	Max. W is 24"
<b>HEIGHT</b>	Single Square Pnl	8-3/4" - 73"	8-3/4" - 52"	8-3/4" - 52"
	DbI Vertical Panel	N/A	52" - 73"	>52" - 73"
<b>DOOR CONSTRUCTION</b>				
Type	Slab MDF Panel	Routed MDF Panel	Routed MDF Panel	
Panel Thickness	3/4"	3/4"	3/4"	
Stile Width	N/A	2-1/4"	2-1/8"	
Rail Width	N/A	2-1/4"	2-1/8"	
<b>PREP FOR GLASS OPTIONS</b>	RFG	RFG	RFG	
Width range	6-3/4" - 24"	6-3/4" - 24"	9-1/4" - 24"	
Height range	8-3/4" - 60"	8-3/4" - 60"	8-3/4" - 60"	

# Door Style Specifications

 <p>Pacifica, top, has matching edge tape; Paragon features a contrasting aluminum edge tape</p> <p><b>Note:</b> Available in the High Gloss laminate options shown below</p>	<p><b>Pacifica</b></p>  	<p><b>Paragon</b></p>  
	Pacifica (PAC)	Paragon (PGN)
<b>PRICE POINT</b>	K5	K5
<b>Outside Edge Details</b>	.5mm HG-HPL edge tape (matches door face) Square edge	1mm PVC "Aluminum" color edge tape, Eased edges
<b>Drawer Fronts</b>	Slab Only	Slab Only
<b>HPL Colors</b>	Beige HG, Black HG, Dark Grey HG, Khaki HG, Light Grey HG, Red HG, White HG	
<b>DOOR CONFIGURATION &amp; SIZE LIMITS</b>		
<b>WIDTH</b>	Slab	4" - <36"
	Hinged Door	Max. W is 24"
<b>HEIGHT</b>	Slab	8-3/4" - 73"
<b>DOOR CONSTRUCTION</b>		
<b>Panel Thickness</b>	3/4"	
<b>PREP FOR GLASS OPTIONS</b>	N/A	
<b>General Information</b>		
<p><b>Door Style</b></p> <ul style="list-style-type: none"> <li>Doors and fronts are slab style constructed of PBD substrate with a High Gloss High-Pressure Laminate (HG-HPL) applied to face</li> <li>Features matching matte finish HPL on backs</li> </ul> <p><b>Box Construction</b></p> <ul style="list-style-type: none"> <li>Particleboard box material only</li> <li>FMI interiors and edge taped box components match door face</li> <li><b>Not available:</b> Appliance Garage cabinets (due to the tambour door), Medicine Cabinets, mouldings or other wood accessories</li> </ul> <p><b>Finished Surfaces</b></p> <ul style="list-style-type: none"> <li>Door face material is used on face of doors and fronts, Finished End Doors (FED), oven panels and Integral Finished Ends (IFE, IFTOP &amp; IFBOT)</li> <li>Loose panels and accessories that are normally "finished to match door" are HG-HPL with matching HG edge tape (Aluminum PVC tape is only applied to doors, fronts, FED, SFPO &amp; APDR)</li> </ul> <p><b>Note:</b> Orange peel effect on door face and finished components is a standard attribute of the product and will not be considered a defect</p> <ul style="list-style-type: none"> <li>Color sample kits are available - see our website or LIT-POS order form</li> </ul>		
<div style="display: flex; justify-content: space-around; align-items: flex-end;"> <div style="text-align: center;">  <p>White HG - #1573-01</p> </div> <div style="text-align: center;">  <p>Beige HG - #1503-01</p> </div> <div style="text-align: center;">  <p>Khaki HG - #D50K-01</p> </div> </div> <div style="display: flex; justify-content: space-around; align-items: flex-end; margin-top: 10px;"> <div style="text-align: center;">  <p>Red HG - #D12-01</p> </div> <div style="text-align: center;">  <p>Lt Grey HG - #D90K-01</p> </div> <div style="text-align: center;">  <p>Dk Grey HG - #D91K-01</p> </div> <div style="text-align: center;">  <p>Black HG - #1595-01</p> </div> </div>		




# Door Style Specifications

Doors and fronts are vertical grain material and are not sequentially matched on same cabinet or from one cabinet to the next

**Trinity**



Aspen Oak



Sepia



Vineyard Oak



Cypress



Pearl



Whitesand



Driftwood

Trinity (TRN)

<b>PRICE POINT</b>	<b>K3</b>	
Outside Edge Details	Standard "1mm radius ABS edge tape"	
Drawer Fronts	Slab only (vertical grain)	
TSS Colors	Aspen Oak, Cypress, Driftwood, Pearl, Sepia, Vineyard Oak, Whitesand	
<b>DOOR CONFIGURATION &amp; SIZE LIMITS</b>		
<b>WIDTH</b>	Slab	4" - < 36"
	Hinged Door	Max. W is 24"
<b>HEIGHT</b>	Slab	8-3/4" - 73"
<b>DOOR CONSTRUCTION</b>		
Panel Thickness	3/4"	
PREP FOR GLASS OPTIONS	N/A	

## General Information

### Thermo Structured Surface (TSS)

- Wood grain, textured melamine surface that has been thermally fused and heat stamped to a particleboard core material

### Door Style

- Door is a slab style constructed of PBD substrate with a Thermo Structured Surface applied to front and back of doors and drawer fronts
- **Grain direction** runs vertical on doors and drawer fronts but they are not sequentially matched

### Pre-Selected Edge Tape

- ABS edge tape will be on all edges of doors, drawer fronts, front edge of cabinet box, 3/4" thick pre-sized and custom panels (FP & CP) and all other edges that normally match box tape
- Edge banding on adjustable shelves matches cabinet box interior unless FMI is selected

### Cabinets NOT Available:

Appliance Garage (WCAAG & AG)

### Finished Accessories Available:

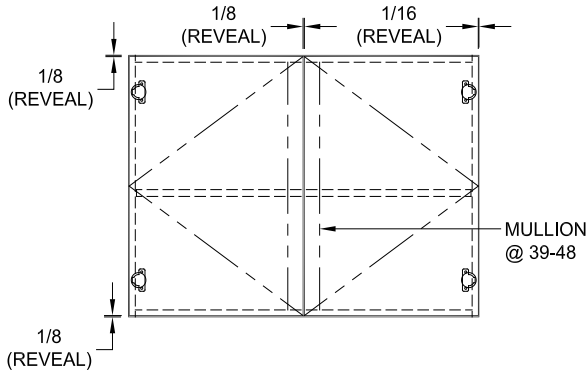
MS96	MR336-PLY	MR636-PLY
Straight Valance	Standard Filler (except SF3120)	Toeboard Front (1/32" & 3/4")
Base Corner Filler	Base Square Corner Filler	Scribe Filler Plant-ons
End Panels (except 120")	3/4" FP & FPT	Hood Vent Covers
Raw 3/4" Countertop	Edge Tape	Adjustable Shelves (FMI)
FED, APDR, DOOR, DF	1/32" & 3/4" CP	

# Door Style Specifications Notes

<< Intentionally Blank >>

# Wall Cabinets (Depth: 12" unless noted | Reduce Depth limits: 6" min. unless noted)

## Wall Construction



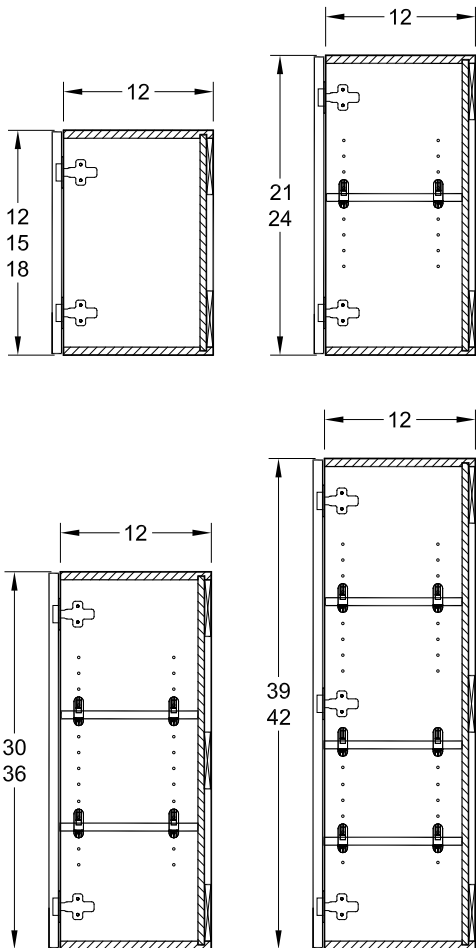
**NOTE:** The cabinet graphics throughout the book only represent the products offered. Please carefully read specs, notes and modifications for each item prior to ordering.

**Design Note:** storage space calculation  
 Interior depth is 1-1/16" less than exterior depth  
 Interior depth is 1-13/16" less than exterior depth if cabinet has a ctr. mullion

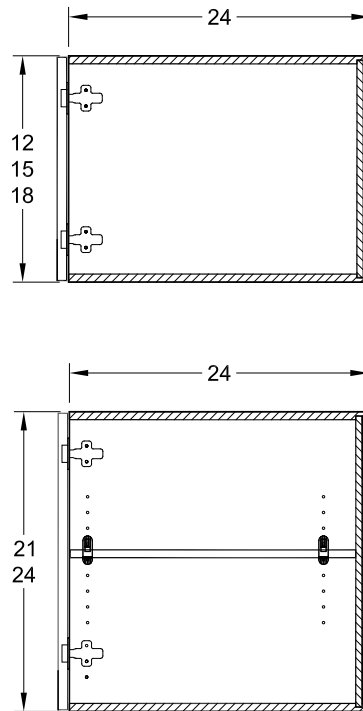
Door Widths	
Cabinet Width	Full Overlay
9"	8-7/8"
12"	11-7/8"
13.5"	13-3/8"
15"	14-7/8"
16.5"	16-3/8"
18"	17-7/8"
19.5"	19-3/8"
21"	20-7/8"
22.5"	22-3/8"
24"	(2) 11-7/8"
27"	(2) 13-3/8"
30"	(2) 14-7/8"
33"	(2) 16-3/8"
36"	(2) 17-7/8"
39"	(2) 19-3/8"
42"	(2) 20-7/8"

Door Heights	
Cabinet Height	Full Overlay
12"	11-3/4"
15"	14-3/4"
18"	17-3/4"
21"	20-3/4"
24"	23-3/4"
30"	29-3/4"
36"	35-3/4"
39"	38-3/4"
42"	41-3/4"

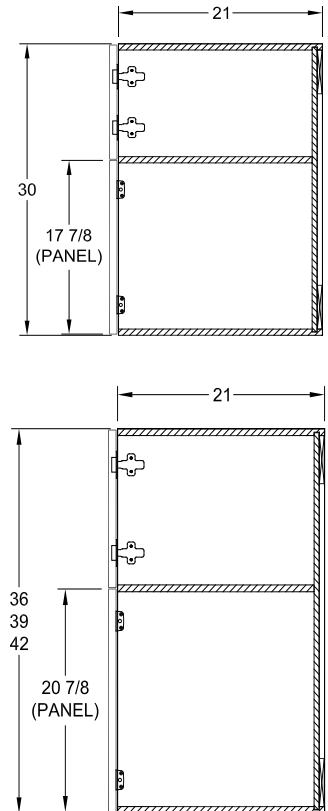
## Wall 12"D Cross Sections



## Wall 24"D Cross Sections



## Microwave Universal Cross Sections

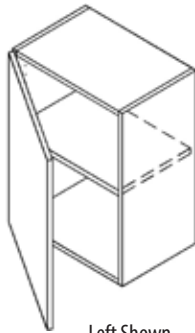


42"H: Includes one adjustable shelf

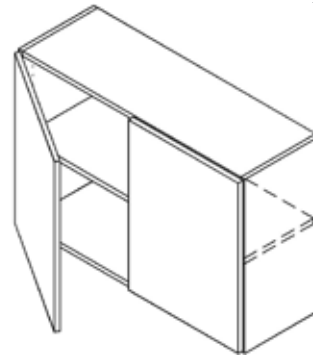
# Wall Cabinets (Depth: 12" unless noted)

## Wall - 12", 15", 18", 21" & 24" H (W\_)

- Adjustable shelves:  
12" - 18" H: 0  
21" - 24" H: 1
- Select hinge side R or L on cabinets with 1 door
- Design Note:**  
Use increased cabinet depth (ID) modification when storing plates or platters >10" diameter



Left Shown



### Modification Limits

ID	15" max.
RD	9" min.

12" H	K1	K2	K3	K4	K5
<b>WALL 1 DOOR</b>					
W1212	222	240	256	264	284
W1512	226	245	264	272	295
W1812	230	248	266	275	298
W2112	238	264	291	301	327
W2412	243	278	312	324	350
<b>WALL 2 DOOR</b>					
W2412DD	268	305	338	346	373
W2712	285	318	348	361	389
W3012	302	331	360	373	405
W3312	315	347	377	392	423
W3612	328	361	396	410	444
<b>WALL 2 DOOR w/CENTER MULLION</b>					
W3912	348	389	431	445	482
W4212	369	416	465	481	521

15" H	K1	K2	K3	K4	K5
<b>WALL 1 DOOR</b>					
W1215	226	245	264	272	295
W1515	230	253	272	287	314
W1815	238	264	291	301	327
W2115	251	289	324	331	364
W2415	268	307	346	359	389
<b>WALL 2 DOOR</b>					
W2415DD	301	327	361	372	406
W2715	318	346	376	389	422
W3015	334	364	396	410	444
W3315	350	383	416	432	468
W3615	367	403	438	454	491
<b>WALL 2 DOOR w/CENTER MULLION</b>					
W3915	383	429	477	494	534
W4215	399	456	514	533	577

18" H	K1	K2	K3	K4	K5
<b>WALL 1 DOOR</b>					
W1218	230	248	266	275	298
W1518	238	264	291	301	327
W1818	262	289	315	327	354
W2118	279	310	340	353	382
W2418	297	331	366	379	410
<b>WALL 2 DOOR</b>					
W2418DD	340	361	383	397	431
W2718	338	373	408	422	458
W3018	359	396	433	448	485
W3318	405	446	490	507	550
W3618	455	501	549	567	615
<b>WALL 2 DOOR w/CENTER MULLION</b>					
W3918	504	556	608	629	681
W4218	553	611	667	691	749

21" H	K1	K2	K3	K4	K5
<b>WALL 2 DOOR</b>					
W3021	387	433	481	498	540
W3321	408	467	526	544	590
W3621	429	501	572	592	642
<b>WALL 2 DOOR w/CENTER MULLION</b>					
W3921	465	533	602	624	675
W4221	501	566	631	654	708

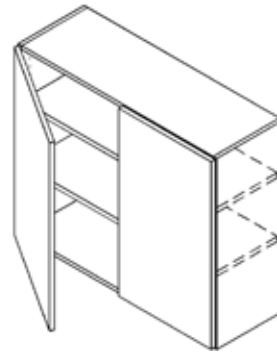
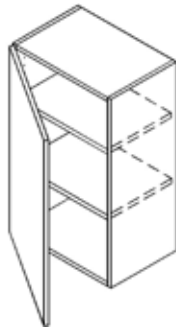
24" H	K1	K2	K3	K4	K5
<b>WALL 1 DOOR</b>					
W1224	243	278	312	324	350
W1524	268	307	346	359	389
W1824	292	336	377	392	423
W2424	341	393	445	461	500
<b>WALL 2 DOOR</b>					
W2424DD	380	422	462	480	520
W2724	405	449	495	513	556
W3024	429	480	528	547	593
W3324	454	508	562	582	631
W3624	478	537	596	618	668
<b>WALL 2 DOOR w/CENTER MULLION</b>					
W3924	514	582	649	672	729
W4224	550	626	703	727	788

# Wall Cabinets (Depth: 12" unless noted)

## Wall - 30", 36", 39" & 42" H (W\_)

- Adjustable shelves:  
30" and 36" H: 2  
39" and 42" H: 3
- Select hinge side R or L on cabinets with 1 door

- Design Note:**  
Use increased cabinet depth (ID) modification when storing plates or platters >10" diameter



Modification Limits	
ID	15" max.
RD	9" min.

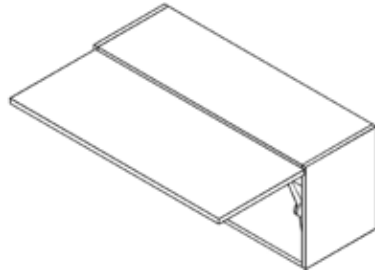
30" H	K1	K2	K3	K4	K5
<b>WALL 1 DOOR</b>					
W0930	261	288	315	327	354
W1230	297	327	357	369	400
W13.530	315	347	379	392	425
W1530	333	366	399	413	448
W16.530	348	384	419	435	471
W1830	363	402	439	455	494
W19.530	383	422	461	478	518
W2130	402	442	482	500	541
W22.530	425	468	513	530	575
W2430	436	481	527	544	592
<b>WALL 2 DOOR</b>					
W2430DD	448	494	541	560	608
W2730	487	536	583	605	655
W3030	521	573	626	648	703
W3330	553	611	667	691	749
W3630	582	645	710	734	796
<b>WALL 2 DOOR w/CENTER MULLION</b>					
W3930	641	707	773	801	868
W4230	698	768	837	867	939
<b>36" H</b>					
K1	K2	K3	K4	K5	
<b>WALL 1 DOOR</b>					
W0936	285	314	343	354	384
W1236	325	357	390	405	438
W13.536	344	379	415	429	465
W1536	363	400	438	454	491
W16.536	384	423	464	480	520
W1836	405	446	488	505	547
W19.536	425	468	513	530	575
W2136	445	490	536	554	600
W22.536	474	521	570	590	639
W2436	488	537	588	608	658
<b>WALL 2 DOOR</b>					
W2436DD	501	552	603	625	677
W2736	539	595	651	674	730
W3036	585	642	701	726	786
W3336	624	685	749	775	840
W3636	661	729	796	825	894
<b>WALL 2 DOOR 2/CENTER MULLION</b>					
W3936	723	796	870	900	975
W4236	783	863	942	976	1057

39" H	K1	K2	K3	K4	K5
<b>WALL 1 DOOR</b>					
W0939	321	354	386	400	433
W1239	369	406	444	459	498
W13.539	392	432	472	490	530
W1539	413	456	500	518	562
W16.539	439	484	530	549	593
W1839	462	510	557	577	625
W19.539	487	536	586	608	658
W2139	510	562	613	635	688
W22.539	534	589	642	665	721
W2439	557	613	671	694	753
<b>WALL 2 DOOR</b>					
W2439DD	577	638	697	721	782
W2739	626	690	753	780	845
W3039	670	740	811	840	910
W3339	723	795	867	899	973
W3639	763	844	924	958	1037
<b>WALL 2 DOOR w/CENTER MULLION</b>					
W3939	837	923	1009	1045	1133
W4239	904	999	1094	1133	1228
<b>42" H</b>					
K1	K2	K3	K4	K5	
<b>WALL 1 DOOR</b>					
W0942	321	354	386	400	433
W1242	369	406	444	459	498
W13.542	392	432	472	490	530
W1542	413	456	500	518	562
W16.542	438	484	528	549	593
W1842	462	510	557	577	625
W19.542	487	536	586	606	657
W2142	510	562	613	635	688
W22.542	544	600	655	678	736
W2442	562	619	675	700	759
<b>WALL 2 DOOR</b>					
W2442DD	577	638	697	721	782
W2742	626	690	753	780	845
W3042	670	740	811	840	910
W3342	723	795	867	899	973
W3642	763	844	924	958	1037
<b>WALL 2 DOOR w/CENTER MULLION</b>					
W3942	795	877	958	992	1074
W4242	827	909	991	1027	1113

# Wall Cabinets (Depth: 12" unless noted)

## Wall Lidstay - 15" & 18" H (W\_LS)

- Single full-width door, hinged top
- Two lidstays
- Nickel-plated lidstay mechanism has friction brake that can be adjusted with an allen wrench
- Door opens to 90° with 1/8" clearance between face of door and top of cabinet (not including decorative hardware)
- **Design Note:**  
Use increased cabinet depth (ID) modification when storing plates or platters >10" diameter



Modification Limits	
ID	15" max.
RD	9" min.

15" H	K1	K2	K3	K4	K5
W2415LS	649	821	991	1027	1113
W2715LS	681	847	1012	1050	1136
W3015LS	698	867	1034	1071	1161
W3315LS	714	880	1044	1083	1172
W3615LS	732	893	1056	1093	1184
W4215LS	763	926	1089	1128	1223

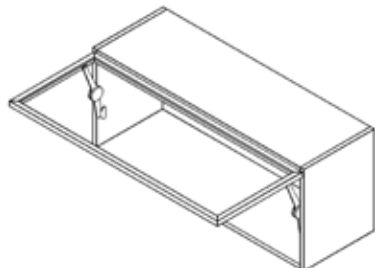
18" H	K1	K2	K3	K4	K5
W2418LS	636	831	1025	1061	1151
W2718LS	691	871	1050	1087	1178
W3018LS	708	893	1077	1116	1208
W3318LS	726	909	1092	1130	1225
W3618LS	743	924	1107	1146	1243
W4218LS	791	971	1151	1192	1292

**Note:**

- Doors wider than 27" will be double square horizontal panel construction (except for slab door styles)
- Refer to Door Style pages for more details
- Cabinets wider than 36" have a recessed vertical center divider installed (5/8" thick x 7-15/16" D)

## Wall Lidstay w/Aluminum Glass Door 15" & 18" H (W\_LS-RFG)

- See above
- A01N door frame  
Natural Aluminum finish  
3/4" W stiles & rails
- Installed Clear tempered glass insert
- Note: Double-check hardware size for fit when selecting pulls/knobs for this narrow door style
- Cabinets wider than 36" have a recessed vertical center divider installed (5/8" thick x 7-15/16" D)



Modification Limits	
ID	15" max.
RD	9" min.

15" H	K1 - K5
W2415LS-RFG	981
W2715LS-RFG	1001
W3015LS-RFG	1014
W3615LS-RFG	1073
W4215LS-RFG	1140

18" H	K1 - K5
W2418LS-RFG	1008
W2718LS-RFG	1064
W3018LS-RFG	1071
W3618LS-RFG	1136
W4218LS-RFG	1202

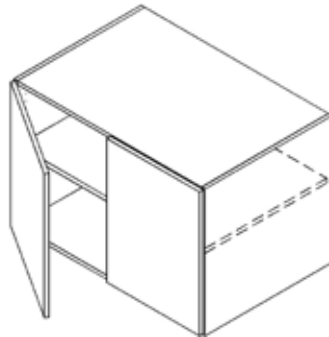
# Wall Cabinets (Depth: 24")

## 24" D Wall - 12", 15", 18", 21" & 24" H (W\_X24)

### Modification Limits

Not Available

- Adjustable shelves:  
12" - 18" H: 0  
21" - 24" H: 1
- Cabinets wider than 36" have a 3" wide center mullion that is compatible with door color
- Mullion may be removed to remove adjustable shelf



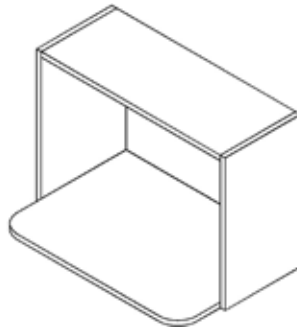
12" H	K1	K2	K3	K4	K5
<b>WALL 2 DOOR</b>					
W3012X24	361	382	403	418	452
W3312X24	369	396	423	439	475
W3612X24	387	416	445	461	500
<b>WALL 2 DOOR w/CENTER MULLION</b>					
W3912X24	419	462	505	524	567
W4212X24	448	477	505	524	567
<b>15" H</b>					
<b>WALL 2 DOOR</b>					
W3015X24	376	409	442	458	495
W3315X24	383	423	465	481	521
W3615X24	402	445	490	507	550
<b>WALL 2 DOOR w/CENTER MULLION</b>					
W3915X24	433	495	559	579	626
W4215X24	464	511	559	579	626
<b>18" H</b>					
<b>WALL 2 DOOR</b>					
W3018X24	409	445	481	498	540
W3318X24	416	462	508	527	572
W3618X24	436	487	537	557	603
<b>WALL 2 DOOR w/CENTER MULLION</b>					
W3918X24	472	544	618	639	693
W4218X24	505	562	618	639	693
<b>21" H</b>					
<b>WALL 2 DOOR</b>					
W3021X24	429	488	549	567	615
W3321X24	436	537	638	661	717
W3621X24	543	609	675	700	759
<b>WALL 2 DOOR w/CENTER MULLION</b>					
W3921X24	603	667	729	755	818
W4221X24	647	714	782	811	878
<b>24" H</b>					
<b>WALL 2 DOOR</b>					
W3024X24	444	495	549	567	615
W3324X24	517	577	638	661	717
W3624X24	557	616	675	700	759
<b>WALL 2 DOOR w/CENTER MULLION</b>					
W3924X24	611	697	782	811	878
W4224X24	654	719	782	811	878

# Wall Cabinets (Depth: 12" unless noted)

## Microwave Shelf 18" & 21" H (MS\_)

- Fixed microwave shelf extends 6" beyond cabinet face
- Opening width: 1-1/2" less than cabinet width
- 3/4" thick construction, finished to match door
- Interior is finished (FMI)
- Ends, top and bottom not finished

Modification Limits	
RD	9" min.



### 18" H K1 - K5

#### 16-1/2" H Upper Section

MS2418	410	
MS2718	425	
MS3018	439	

### 21" H K1 - K5

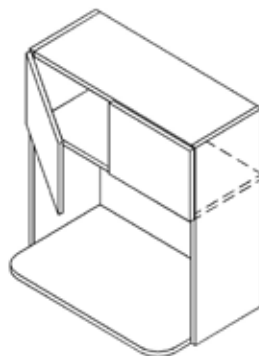
#### 19-1/2" H Upper Section

MS2421	445	
MS2721	461	
MS3021	475	

## Microwave Shelf Cabinet 30", 36", 39" & 42" H (MSC\_)

- See notes above
- Opening height: 17-1/4"
- Adjustable shelves:  
30" - 36" H: 0  
39" - 42" H: 1

Modification Limits	
RD	9" min.



### 30" H K1 K2 K3 K4 K5

#### 12" H Upper Section

MSC2430DD	1005	1043	1080	1119	1212	
MSC2730	1038	1099	1158	1200	1300	
MSC3030	1076	1158	1240	1284	1391	

### 36" H K1 K2 K3 K4 K5

#### 18" H Upper Section

MSC2436DD	1076	1145	1215	1259	1364	
MSC2736	1038	1099	1158	1200	1300	
MSC3036	1128	1220	1312	1359	1473	

### 39" H K1 K2 K3 K4 K5

#### 21" H Upper Section

MSC2439DD	1045	1110	1174	1217	1318	
MSC2739	1119	1204	1287	1333	1446	
MSC3039	1164	1261	1361	1410	1526	

### 42" H K1 K2 K3 K4 K5

#### 24" H Upper Section

MSC2442DD	1104	1179	1254	1299	1407	
MSC2742	1152	1241	1331	1378	1493	
MSC3042	1198	1303	1408	1459	1581	



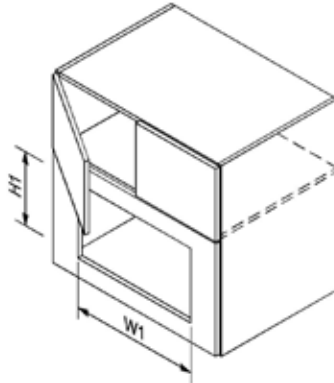
# Wall Cabinets (21" D)

## Microwave Universal Cabinet 30", 36", 39" & 42" H (MUC\_)

### Modification Limits

Not Available

- Integral Finished Ends standard; top and bottom not finished
- Adjustable shelves:  
30", 36", 39" H: 0  
42" H: 1
- Removable oven panel attaches to face of cabinet and has same edge detail as door
- **Solid Wood, Mitered & M& T door styles:** Removable panel is stile and rail construction. Wide stiles and rails allow opening size to be enlarged in field. Removal of screws from back side of panel may be required before cutting.
- Standard opening for wood door styles will be minimum cutout dimensions (see size charts below)
- **HPL, Thermofoil, TSS, and Wood Veneer door styles:** Removable panel is a one-piece, slab construction, with no opening and is shipped attached. Field cutout required.
- Oven shelf and cleats are tacked to interior cabinet shelf for field install.
- Custom factory cutouts are available, apply Custom Cutout Modification. See pg 71 for CC1 specs and pricing. Minimum and maximum cutout dimensions listed in chart at left.



Standard panel sizes by cabinet width & height		
Cabinet Width	Actual Panel Size	
	30" H	36" - 42" H
27"	26-7/8 x 17-7/8	26-7/8 x 20-7/8
30"	29-7/8 x 17-7/8	29-7/8 x 20-7/8
33"	32-7/8 x 17-7/8	32-7/8 x 20-7/8

30" H	K1	K2	K3	K4	K5
<b>12" H Upper Section</b>					
MUC2730X21	536	589	642	665	720
MUC3030X21	570	626	683	707	766
MUC3330X21	606	667	727	753	816
<b>36" H</b>					
<b>12" H Upper Section</b>					
MUC2736X21	727	749	770	798	864
MUC3036X21	773	796	819	848	920
MUC3336X21	819	845	871	901	978
<b>39" H</b>					
<b>18" H Upper Section</b>					
MUC2739X21	760	801	841	871	943
MUC3039X21	809	854	897	930	1007
MUC3339X21	858	906	955	988	1071
<b>42" H</b>					
<b>18" H Upper Section</b>					
MUC2742X21	793	816	841	871	943
MUC3042X21	845	871	897	930	1007
MUC3342X21	897	926	955	988	1071

CC1 - price per cutout	389
------------------------	-----

### CC1 – Custom Cutout Modification

- Specify opening width (W1) and height (H1)
- Rails above and below the opening are made equal height

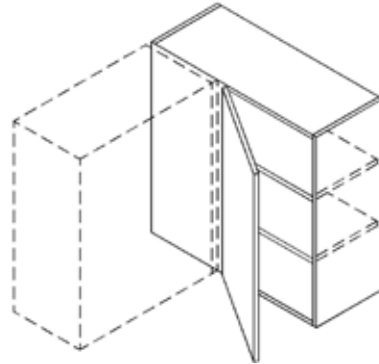
MICROWAVE UNIVERSAL CABINET			
Cabinet Height	Opening	Existing & Min. Cutout	Max. Cutout
30" - 42" H	W1 width)	Cab. Width - 9"	Cab. Width - 3"
30" H	H1 height)	9"	14-7/8"
36" - 42" H	H1 (height)	12"	17-7/8"

# Wall Cabinets (Depth: 12" unless noted)

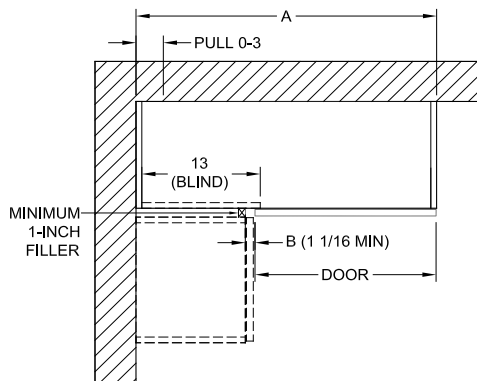
## Wall Square Corner 30", 36", 39" & 42" H (WSC\_)

- Adjustable shelves:  
30" - 36" H: 2  
39" - 42" H: 3
- Select R or L for blind panel side

- Design Note:**  
Use increased cabinet depth (ID) modification when storing plates or platters >10" diameter



Modification Limits	
ID	15" max.
RD	9" min.



- Cabinets 39" and wider have two doors
- "A": Actual cabinet width and min. placement from corner
- "B": Min. distance from edge of door to adjoining cabinet (does not include depth of door, drawer or hardware on return cabinet)

Cabinet Size	Actual Width	Min. Space "A"	Max. Space "A"	Door Sizes
WSC24	24	24	27	10-7/8
WSC27	27	27	30	13-7/8
WSC30	30	30	33	16-7/8
WSC33	33	33	36	19-7/8
WSC36	36	36	39	22-7/8
WSC39	39	39	42	12-7/8 (2)
WSC42	42	42	45	14-3/8 (2)
WSC45	45	45	48	15-7/8 (2)
WSC48	48	48	51	17-3/8 (2)

30" H	K1	K2	K3	K4	K5
<b>1 DOOR</b>					
WSC2430	372	431	490	508	550
WSC2730	402	477	552	572	619
WSC3030	432	513	592	613	665
WSC3330	462	549	635	658	713
WSC3630	492	583	674	698	756
<b>2 DOOR</b>					
WSC3930	492	583	674	698	756
WSC4230	621	729	837	867	939
WSC4530	651	765	878	910	985
WSC4830	681	798	916	948	1027
36" H	K1	K2	K3	K4	K5
<b>1 DOOR</b>					
WSC2436	399	468	537	557	603
WSC2736	432	518	605	626	678
WSC3036	465	560	654	678	734
WSC3336	498	596	696	720	780
WSC3636	531	642	752	779	844
<b>2 DOOR</b>					
WSC3936	635	753	871	901	978
WSC4236	668	791	913	946	1025
WSC4536	701	828	955	988	1071
WSC4836	734	867	998	1034	1120
39" H	K1	K2	K3	K4	K5
<b>1 DOOR</b>					
WSC2439	418	510	600	622	674
WSC2739	454	564	675	700	759
WSC3039	488	611	733	759	822
WSC3339	523	657	791	819	887
WSC3639	559	703	848	878	952
<b>2 DOOR</b>					
WSC3939	668	822	978	1012	1097
WSC4239	704	863	1021	1058	1146
WSC4539	739	906	1073	1112	1204
WSC4839	775	950	1126	1166	1264
42" H	K1	K2	K3	K4	K5
<b>1 DOOR</b>					
WSC2442	436	518	600	622	674
WSC2742	474	575	675	700	759
WSC3042	511	622	733	759	822
WSC3342	547	670	791	819	887
WSC3642	585	708	834	864	936
<b>2 DOOR</b>					
WSC3942	701	845	989	1025	1110
WSC4242	739	893	1048	1086	1176
WSC4542	776	942	1109	1148	1244
WSC4842	814	991	1166	1210	1310

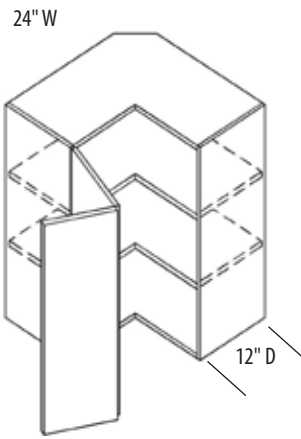
# Wall Cabinets (Depth: 12" unless noted)

## Wall Corner Cabinet 30", 36", 39" & 42" H (WCC\_)

### Modification Limits

Not Available

- Bifold-hinged door opens 170° from face of cabinet
- Adjustable shelves:  
30" - 36" H: 2  
39" - 42" H: 3
- Select R or L



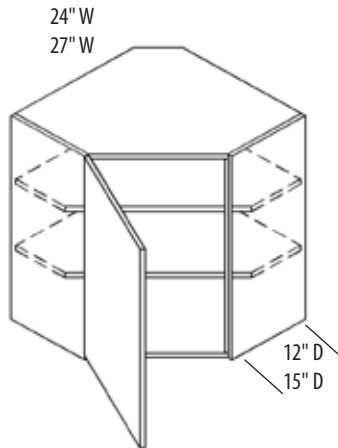
30" H	K1	K2	K3	K4	K5
WCC2430	504	575	645	668	724
36" H	K1	K2	K3	K4	K5
WCC2436	534	622	711	737	798
39" H	K1	K2	K3	K4	K5
WCC2439	569	696	822	852	923
42" H	K1	K2	K3	K4	K5
WCC2442	603	713	822	852	923

## Wall Corner Angle 30", 36", 39" & 42" H (WCA\_)

### Modification Limits

Not Available

- Adjustable shelves:  
30" - 36" H: 2  
39" - 42" H: 3
- Depth depends on width  
24" W: x 12" D  
27" W: x 15" D
- Select R or L



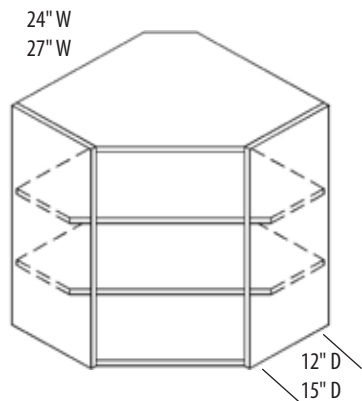
30" H	K1	K2	K3	K4	K5
WCA2430	380	471	560	580	629
WCA2730X15	475	589	700	726	786
36" H	K1	K2	K3	K4	K5
WCA2436	402	508	613	635	688
WCA2736X15	503	635	768	793	861
39" H	K1	K2	K3	K4	K5
WCA2439	429	570	711	737	798
WCA2739X15	537	713	890	922	998
42" H	K1	K2	K3	K4	K5
WCA2442	455	583	711	737	798
WCA2742X15	569	729	890	922	998

## Wall Corner Angle - Open 30", 36", 39" & 42" H (WCAO\_)

### Modification Limits

Not Available

- 3/4" thick construction, finished to match door
- Interior is finished (FMI)
- Ends, top and bottom not finished
- Adjustable shelves:  
30" - 36" H: 2  
39" - 42" H: 3
- Depth depends on width  
24" W: x 12" D  
27" W: x 15" D



30" H	K1 - K5
WCAO2430	1611
WCAO2730X15	1827
36" H	K1 - K5
WCAO2436	1922
WCAO2736X15	2138
39" H	K1 - K5
WCAO2439	2052
WCAO2739X15	2268
42" H	K1 - K5
WCAO2442	2052
WCAO2742X15	2268

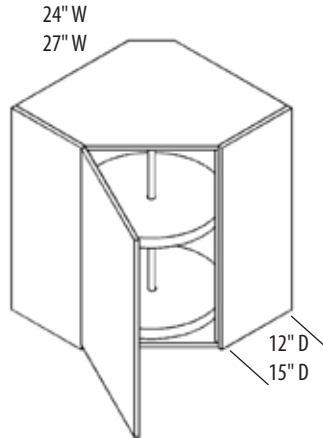
# Wall Cabinets (Depth: 12" unless noted)

## Wall Corner Angle Lazy Susan 30", 36", 39" & 42" H (WCA\_LS)

### Modification Limits

Not Available

- Door opens 95° from face of cabinet
- 18" diameter Lazy Susan
- Rotating plastic shelves:  
30" - 36" H: 2  
39" - 42" H: 3
- Depth depends on width  
24" W: x 12" D  
27" W: x 15" D
- Select R or L



30" H	K1	K2	K3	K4	K5
WCA2430LS	537	668	798	827	896
WCA2730X15LS	671	835	998	1034	1120

36" H	K1	K2	K3	K4	K5
WCA2436LS	557	704	851	881	955
WCA2736X15LS	697	880	1064	1102	1194

39" H	K1	K2	K3	K4	K5
WCA2439LS	613	755	896	927	1005
WCA2739X15LS	768	943	1120	1159	1257

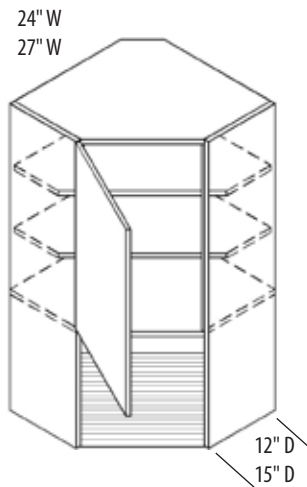
42" H	K1	K2	K3	K4	K5
WCA2442LS	668	782	896	927	1005
WCA2742X15LS	835	978	1120	1159	1257

## Wall Corner Angle Appliance Garage 48", 54", 57" & 60" H (WCAAG\_)

### Modification Limits

Not Available

- Interior not finished to match door
- Exterior ends, top and bottom not finished
- Tambour section: 18" H
- Opening with tambour raised: approx 14-3/4" H
- Door hinges 95° from face of cabinet
- Adjustable shelves:  
48" - 54" H: 2  
57" - 60" H: 3
- Depth depends on width  
24" W: x 12" D  
27" W: x 15" D
- Select R or L



48" H	K1	K2	K3	K4	K5
WCAAG2448	825	907	989	1024	1110
WCAAG2748X15	1041	1123	1205	1240	1326

54" H	K1	K2	K3	K4	K5
WCAAG2454	855	940	1025	1061	1151
WCAAG2754X15	1071	1156	1241	1277	1367

57" H	K1	K2	K3	K4	K5
WCAAG2457	932	1024	1116	1156	1253
WCAAG2757X15	1148	1240	1332	1372	1469

60" H	K1	K2	K3	K4	K5
WCAAG2460	932	1024	1116	1156	1253
WCAAG2760X15	1148	1240	1332	1372	1469

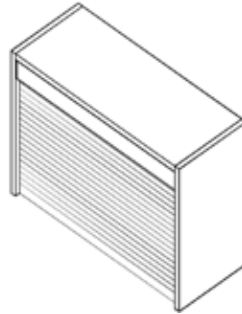
**Not Available:**  
HG-HPL or TSS door styles

# Wall Cabinets (Depth: 12" unless noted)

## Appliance Garage (AG\_)

- 3/4" thick construction, finished to match door
- Interior is finished (FMI)
- Tambour section: 18" H
- Opening with tambour raised: approx 13-3/4" H

**Not Available:**  
HG-HPL or TSS door styles



Modification Limits	
ID	15" max.

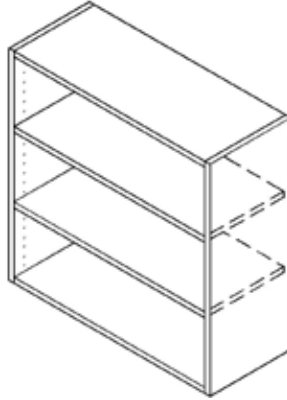
24" W		K1 - K5	
AG24		631	
27" W		K1 - K5	
AG27		664	
30" W		K1 - K5	
AG30		697	
33" W		K1 - K5	
AG33		729	
36" W		K1 - K5	
AG36		762	

# Wall Cabinets (Depth: 12" unless noted)

## Wall Bookcase

24", 30", 36", 39" & 42" H (WBC\_)

- 3/4" thick construction, finished to match door
- Interior is finished (FMI)
- Cabinets with adjustable shelves receive clear locking shelf clips
- Adjustable shelves:  
24" H: 1  
30" - 36" H: 2  
39" - 42" H: 3



Modification Limits	
RD	Reduce D to min. 6"

24" H		K1 - K5
WBC1224		540
WBC1524		570
WBC1824		608
WBC2124		651
WBC2424		693
WBC2724		729
WBC3024		769
WBC3324		811
WBC3624		868

30" H		K1 - K5
WBC1230		621
WBC1530		668
WBC1830		721
WBC2130		772
WBC2430		824
WBC2730		880
WBC3030		949
WBC3330		1004
WBC3630		1060

36" H		K1 - K5
WBC1236		668
WBC1536		729
WBC1836		785
WBC2136		840
WBC2436		913
WBC2736		968
WBC3036		1025
WBC3336		1081
WBC3636		1130

39" H		K1 - K5
WBC1239		759
WBC1539		832
WBC1839		899
WBC2139		981
WBC2439		1057
WBC2739		1126
WBC3039		1197
WBC3339		1264
WBC3639		1336

42" H		K1 - K5
WBC1242		759
WBC1542		832
WBC1842		899
WBC2142		981
WBC2442		1057
WBC2742		1126
WBC3042		1197
WBC3342		1264
WBC3642		1336

# Wall Cabinets (Depth: 12" unless noted)

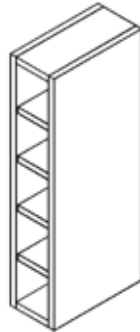
## Wall Open Cubbyhole 24", 30", 36", 39" & 42" H (WOCH\_)

- 3/4" thick construction
- Interior is finished (FMI)
- Exterior ends, top and bottom are finished

WOCH	Space Between Shelves	
	Top & Bottom	Middle Section
WOCH0624	2 at 5"	2 at 5-1/8"
WOCH0630	2 at 5-1/16"	3 at 5-1/8"
WOCH0636	2 at 5-1/8"	4 at 5-1/8"
WOCH0639	2 at 5-5/8"	4 at 5-5/8"
WOCH0642	2 at 5-3/16"	5 at 5-1/8"

### Modification Limits

Not Available



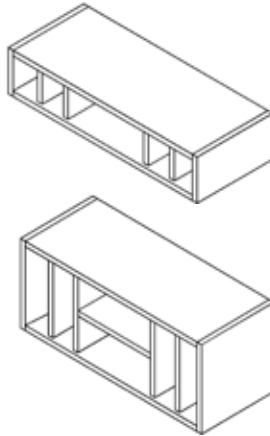
<b>24" H</b>		K1 - K5
WOCH0624	717	
<b>30" H</b>		K1 - K5
WOCH0630	757	
<b>36" H</b>		K1 - K5
WOCH0636	796	
<b>39" H</b>		K1 - K5
WOCH0639	819	
<b>42" H</b>		K1 - K5
WOCH0642	819	

## Letter Organizer 6" & 12" H (LO\_6)

- 3/4" thick construction
- Interior is finished (FMI)
- Exterior ends, top and bottom are finished
- 12" wide center section

### Modification Limits

Not Available



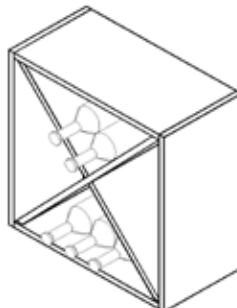
<b>6" H</b>		K1 - K5
<b>5 Openings</b>		
L02406	717	
L03006	757	
L03606	796	
<b>12" H</b>		K1 - K5
<b>6 Openings</b>		
L02412	772	
L03012	812	
L03612	890	

## Wall "X" Wine Rack 18", 21" & 24" H (WWRX\_)

- 3/4" thick construction
- Interior is finished (FMI)
- Exterior ends, top and bottom not finished

### Modification Limits

Not Available



<b>18" H</b>		K1 - K5
<b>Approx. Bottle Capacity: 17</b>		
WWRX1818	1272	
<b>21" H</b>		K1 - K5
<b>Approx. Bottle Capacity: 26</b>		
WWRX2121	1296	
<b>24" H</b>		K1 - K5
<b>Approx. Bottle Capacity: 39</b>		
WWRX2424	1329	

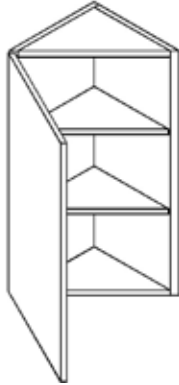
# Wall Cabinets (Depth: 12" unless noted)

## Wall End Angle - 30", 36", 39" & 42" H (WEA\_)

- Adjustable shelves:  
30" - 36" H: 2  
39" - 42" H: 3
- Select hinge side R or L

### Modification Limits

Not Available



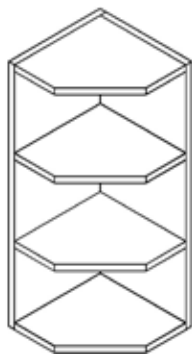
30" H	K1	K2	K3	K4	K5
WEA1230	452	507	588	608	660
36" H	K1	K2	K3	K4	K5
WEA1236	471	567	667	691	749
39" H	K1	K2	K3	K4	K5
WEA1239	521	657	772	799	865
42" H	K1	K2	K3	K4	K5
WEA1242	521	657	772	799	865

## Wall End Shelves - 30", 36", 39" & 42" H (WES\_)

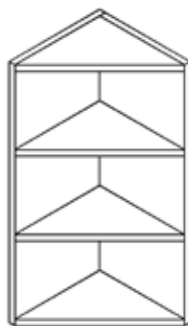
- 3/4" thick construction
- Interior is finished (FMI)
- Reversible cabinet
- Fixed (middle) shelves:  
30" - 36" H: 2  
39" - 42" H: 3
- Shelves will be equally spaced

### Modification Limits

Not Available



WESA\_



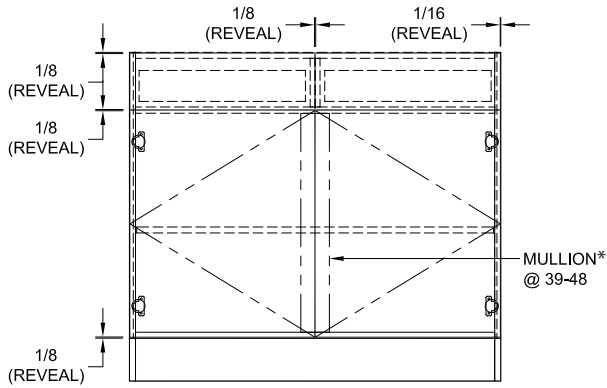
WESD\_

30" H	K1 - K5				
<b>Angled Top</b>					
WESA1230	426				
<b>Straight Top</b>					
WESD1230	426				
36" H	K1 - K5				
<b>Angled Top</b>					
WESA1236	467				
<b>Straight Top</b>					
WESD1236	467				
39" H	K1 - K5				
<b>Angled Top</b>					
WESA1239	541				
<b>Straight Top</b>					
WESD1239	541				
42" H	K1 - K5				
<b>Angled Top</b>					
WESA1242	541				
<b>Straight Top</b>					
WESD1242	541				



# Base Cabinets (Height: 34-1/2", Depth: 24" unless noted)

## Base Construction



**NOTE:** The cabinet graphics throughout the book only represent the products offered. Please carefully read specs, notes and modifications for each item prior to ordering.

\* Cabinets wider than 36" have a 3" wide center mullion that is compatible with door color

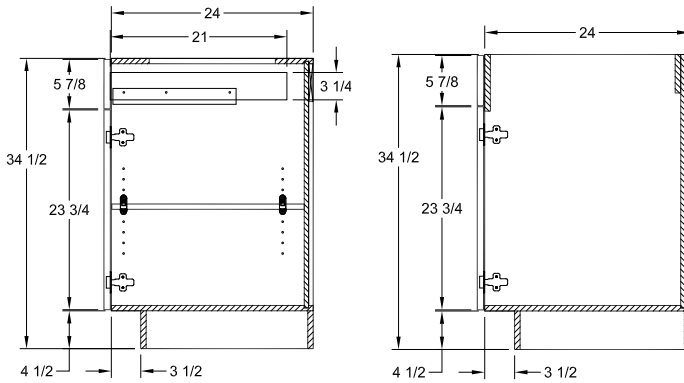
## Door & Drawer Front Widths

Cabinet Width	Full Overlay
9"	8-7/8"
12"	11-7/8"
15"	14-7/8"
18"	17-7/8"
21"	20-7/8"
24"	(2) 11-7/8"
27"	(2) 13-3/8"
30"	(2) 14-7/8"
33"	(2) 16-3/8"
36"	(2) 17-7/8"
39"	(2) 19-3/8"
42"	(2) 20-7/8"
45"	(2) 22-3/8"
48"	(2) 23-7/8"

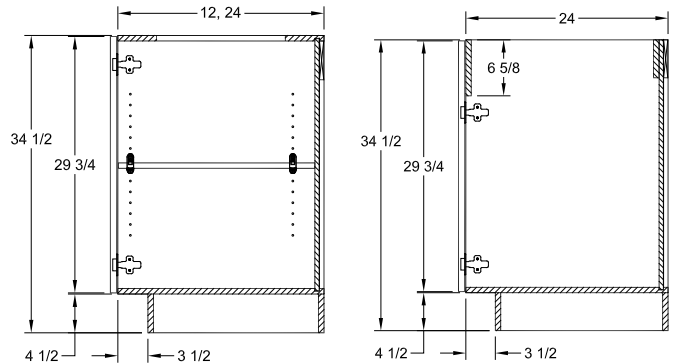
## Door & Drawer Front Heights

Cabinet Type	Full Overlay	
	Doors	Fronts
FB	29-3/4"	-
B	23-3/4"	5-7/8"
B2D	-	(2) 14-13/16"
B3D	-	(1) 5-7/8" (2) 11-13/16"
B4D	-	(2) 5-7/8" (2) 8-13/16"

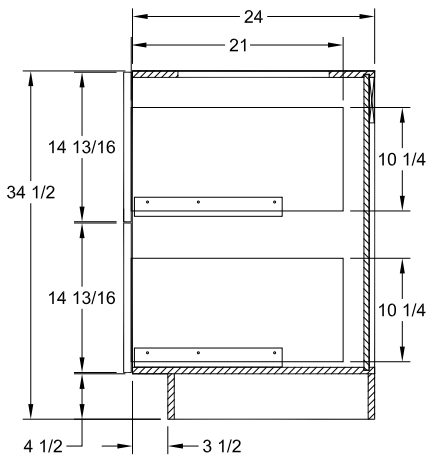
## Base & Base Sink Cross Sections



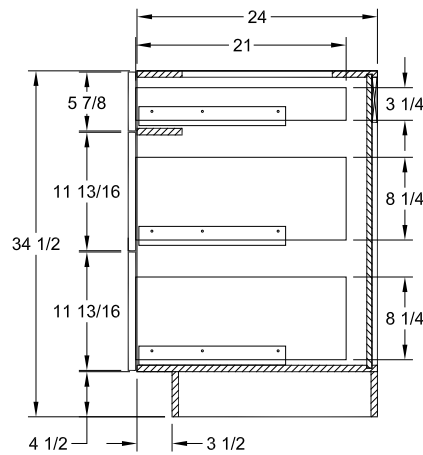
## Full Base & Full Base Sink Cross Sections



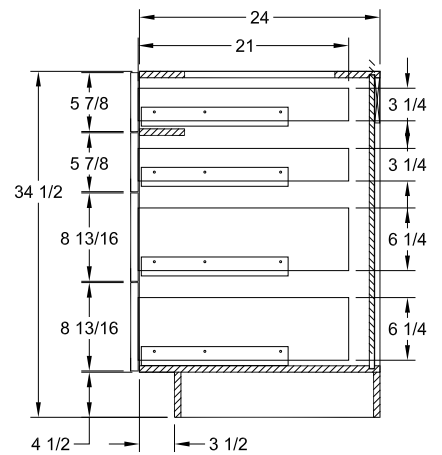
## Base 2 Drawer Cross Section



## Base 3 Drawer Cross Section

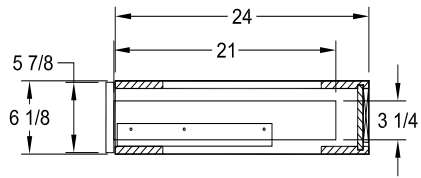


## Base 4 Drawer Cross Section

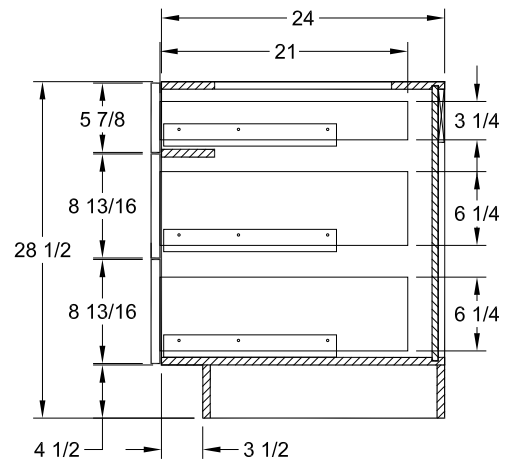


# Base Cabinets (Height: 34-1/2", Depth: 24" unless noted)

Base Desk Drawer Cross Section



Base Desk 3 Drawer Cross Section



# Base Cabinets (Height: 34-1/2", Depth: 24" unless noted)

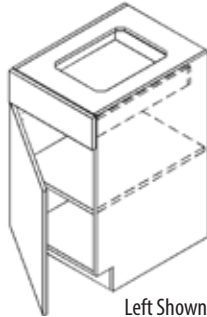
## Base (B\_)

- One adjustable shelf
- Select hinge side R or L on cabinets with 1 door

### Modification Limits

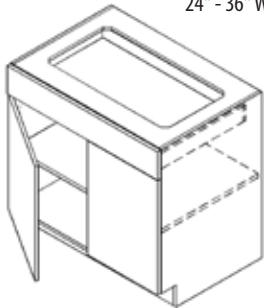
RD	Allowable Depths: 15", 18", 21"
----	------------------------------------

9" - 22-1/2" W

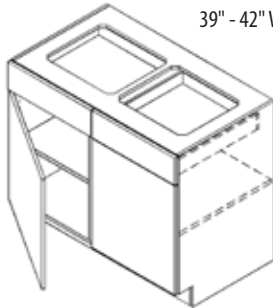


Left Shown

24" - 36" W



39" - 42" W

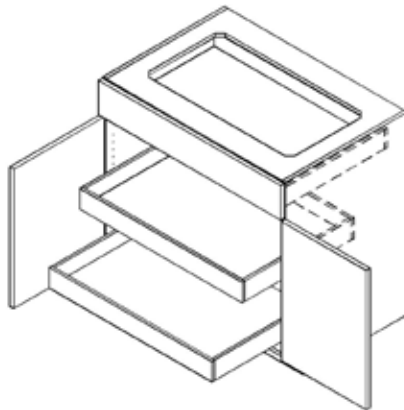


## Base Roll-out (BRO\_)

- Two 3-1/4" H adjustable roll-outs have 1/2" thick plywood sides with dovetail construction and Natural finish
- Bottom roll-out is floor mounted
- Select hinge side R or L on cabinets with 1 door

### Modification Limits

RD	Allowable Depths: 15", 18", 21"
----	------------------------------------



K1 K2 K3 K4 K5

### BASE 1 DOOR w/1 DRAWER

B09	402	442	482	500	541
B12	449	495	541	560	608
B13.5	482	531	580	600	651
B15	516	567	619	641	694
B16.5	526	577	631	654	707
B18	534	588	642	665	720
B19.5	556	612	668	693	749
B21	577	635	694	719	778
B22.5	605	667	727	753	816

### BASE 2 DOOR w/1 DRAWER

B24DD	632	697	760	788	854
B27	675	744	812	841	912
B30	717	791	864	894	969
B33	757	835	913	946	1025
B36	804	884	965	999	1083

### BASE 2 DOOR w/2 DRAWERS

B39	909	999	1090	1129	1223
B42	1009	1112	1215	1259	1364

K1 K2 K3 K4 K5

### BASE ROLL-OUT 1 DOOR

BR012	585	642	701	726	786
BR015	668	746	822	852	923
BR018	736	818	899	932	1009
BR021	779	842	906	939	1017

### BASE ROLL-OUT 2 DOOR

BR024DD	829	912	994	1030	1115
BR027	880	978	1074	1113	1207
BR030	930	1032	1135	1176	1274
BR033	981	1089	1197	1240	1344
BR036	1031	1145	1257	1303	1411

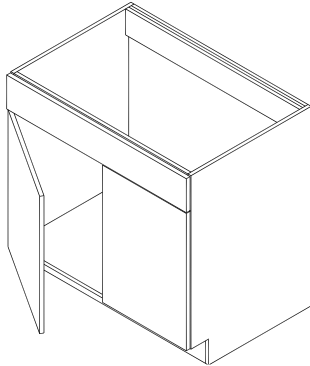
# Base Cabinets (Height: 34-1/2", Depth: 24" unless noted)

## Base Sink (BS\_) and Base Sink w/Tip-out (BST\_)

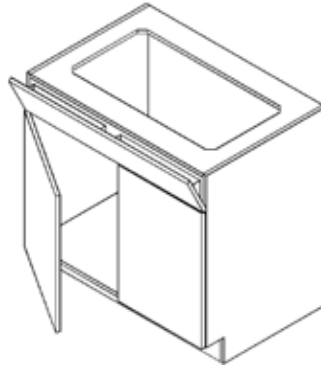
- No adjustable shelves
- Select hinge side R or L on cabinets with 1 door

### Modification Limits

RD	9" min.
----	---------



BS\_



BST\_

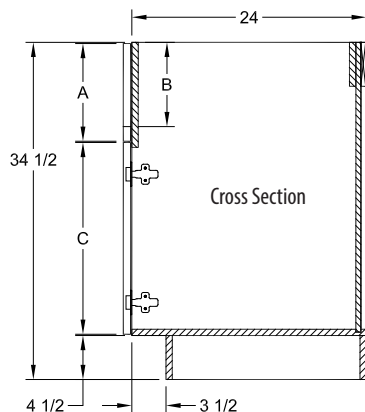
## Farmhouse Base Sink (FHBS\_)

- Removable, 10" H, top trim panel allows a cutout for farmhouse sinks
- Edge details of panel matches doors
- No adjustable shelves
- Not constructed with solid top
- Cutout and construction of interior support framing is required during installation (not done at factory)
- Extend Top Panel (ETOP-IN) allows:
  - Increase of panel (A) and maximum cutout (B) heights
  - Door height (C) will decrease
- Use chart for available configurations

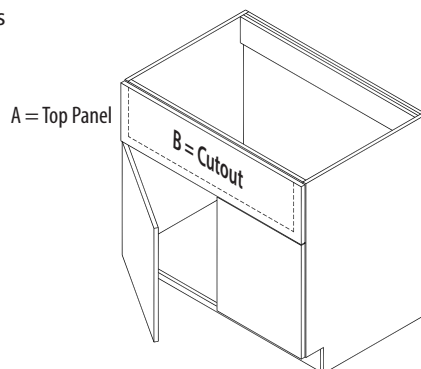
### Modification Limits

RD	12" min.
ID	30" max.

**Note:** Entire panel can be removed if full width opening between cabinet ends is required. To replace panel: Order as a standard slab drawer front.



Cross Section



A = Top Panel

B = Cutout

	K1	K2	K3	K4	K5
<b>BASE SINK 1 DOOR</b>					
BS18	397	439	481	498	540
BS21	429	475	521	540	585
<b>BASE SINK 2 DOOR</b>					
BS24DD	475	527	579	599	649
BS27	510	564	619	641	694
BS30	544	602	660	684	740
BS33	579	639	701	726	786
BS36	613	677	742	768	832
<b>BASE SINK 2 DOOR w/2 DRAWERS</b>					
BS39	649	716	782	809	877
BS42	683	752	821	851	922
BS45	786	865	943	978	1058
BS48	818	900	982	1018	1103
<b>BASE SINK w/TIP-OUT – 1 DOOR</b>					
BST18	549	577	606	628	681
BST21	566	609	652	677	733
<b>BASE SINK w/TIP-OUT – 2 DOOR</b>					
BST24DD	596	655	714	740	802
BST27	675	717	759	786	852
BST30	694	789	886	917	994
BST33	726	825	926	959	1040
BST36	759	864	971	1005	1089
<b>BASE SINK w/TIP-OUT – 2 DOOR w/2 DRAWERS</b>					
BST39	842	929	1015	1051	1139
BST42	876	968	1058	1097	1188
BST45	909	995	1081	1120	1214
BST48	942	1031	1120	1161	1259

	K1	K2	K3	K4	K5
<b>FARM HOUSE BASE SINK – 2 DOOR</b>					
FHBS24DD	475	527	579	599	649
FHBS27	510	564	619	641	694
FHBS30	544	602	660	684	740
FHBS33	579	639	701	726	786
FHBS36	613	677	742	768	832
FHBS39	649	716	782	809	877
FHBS42	683	752	821	851	922
FHBS45	786	865	943	978	1058
FHBS48	818	900	982	1018	1103

### HOW TO ORDER (Example)

Configuration	W	+ Panel Option
FHBS	36	ETOP-IN 1.25

### Top Panel, Door & Cutout Size Results

Option	'A' ETOP-IN*	'B' Top Panel H Max Cutout H	'C' Door H
Not required	10	8-1/2	19-5/8
.25	10-1/4	8-3/4	19-3/8
.50	10-1/2	9	19-1/8
.75	10-3/4	9-1/4	18-7/8
1	11	9-1/2	18-5/8
1.25	11-1/4	9-3/4	18-3/8
1.50	11-1/2	10	18-1/8
1.75	11-3/4	10-1/4	17-7/8
2	12	10-1/2	17-5/8
2.25	12-1/4	10-3/4	17-3/8
2.50	12-1/2	11	17-1/8

\*Specify amount of extension as shown

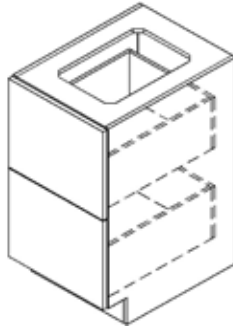
# Base Cabinets (Height: 34-1/2", Depth: 24" unless noted)

## Base 2 Drawer (B2D\_)

- Drawer front height: 14-13/16"
- Drawer box height: 10-1/4"
- Drawer clearance: 12-1/2" (approx.)

### Modification Limits

RD	Allowable Depths: 15", 18", 21"
----	------------------------------------



K1 K2 K3 K4 K5

### BASE 2 DRAWER

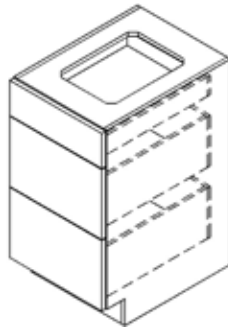
B2D12	312	501	690	714	775
B2D15	350	552	753	780	845
B2D18	387	603	819	848	920
B2D21	423	654	883	914	991
B2D24	462	704	948	981	1063
B2D27	500	756	1012	1050	1136
B2D30	536	806	1079	1117	1210
B2D33	573	858	1143	1185	1284
B2D36	611	909	1208	1251	1355

## Base 3 Drawer (B3D\_)

- Drawer front heights: (1) 5-7/8" | (2) 11-13/16"

### Modification Limits

RD	Allowable Depths: 15", 18", 21"
----	------------------------------------



K1 K2 K3 K4 K5

### BASE 3 DRAWER

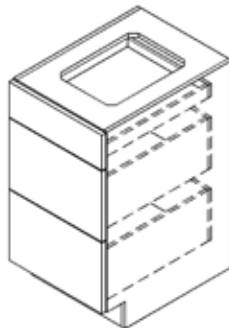
B3D12	685	755	822	852	923
B3D15	737	812	887	919	995
B3D18	793	873	952	986	1068
B3D21	847	932	1017	1053	1140
B3D24	897	989	1080	1119	1212
B3D27	953	1050	1146	1187	1286
B3D30	1005	1109	1211	1254	1359
B3D33	1064	1171	1277	1323	1433
B3D36	1116	1228	1341	1390	1505

## Base 3 Drawer w/Shallow Top Drawer (B3D\_SD)

- Top drawer box height: 2-1/4"
- Drawer front heights: (1) 5-7/8" | (2) 11-13/16"

### Modification Limits

RD	Allowable Depths: 15", 18", 21"
----	------------------------------------



K1 K2 K3 K4 K5

### BASE 3 DRAWER w/SHALLOW TOP DRAWER

B3D30-SD	1011	1112	1211	1254	1359
B3D36-SD	1119	1230	1341	1390	1505

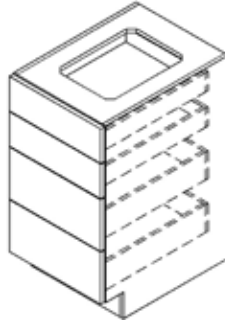
# Base Cabinets (Height: 34-1/2", Depth: 24" unless noted)

## Base 4 Drawer (B4D\_)

- Drawer front heights:  
(2) 5-7/8" | (2) 8-13/16"

### Modification Limits

RD	Allowable Depths: 15", 18", 21"
----	------------------------------------



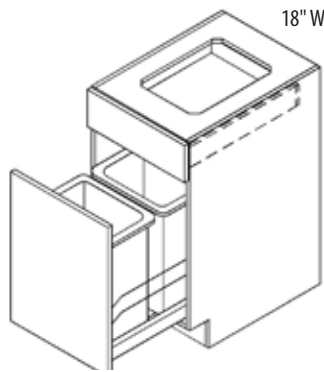
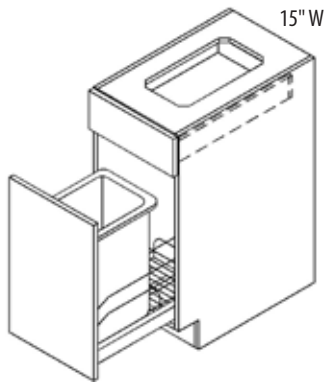
	K1	K2	K3	K4	K5
<b>BASE 4 DRAWER</b>					
B4D12	757	832	909	940	1020
B4D15	812	894	975	1011	1094
B4D18	868	955	1041	1079	1168
B4D21	923	1015	1107	1146	1243
B4D24	973	1074	1174	1217	1318
B4D27	999	1099	1200	1243	1345
B4D30	1067	1174	1280	1326	1437
B4D33	1136	1248	1362	1411	1529
B4D36	1207	1328	1447	1499	1624

## Base Trash Pull-out (B\_TP-BM)

- Bottom-mounted wire frame with soft-close guides

### Modification Limits

Not Available



	K1	K2	K3	K4	K5
<b>Single Trash Pull-out Bottom Mount</b>					
B15STP-BM	746	813	879	907	975
<b>Double Trash Pull-out Bottom Mount</b>					
B18DTP-BM	768	836	904	934	1005

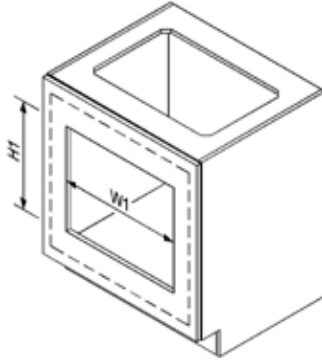
15" (1) 35qt. container with removable wire basket  
18" (2) 35qt. containers

# Base Cabinets (Height: 34-1/2", Depth: 24" unless noted)

## Base Oven (BOV\_)

- Full 1/8" back panel
- Removable oven panel attaches to face of cabinet and has same edge detail as door
- **Solid Wood, Mitered & M& T door styles:** Removable panel is stile and rail construction. Wide stiles and rails allow opening size to be enlarged in field. Removal of screws from back side of panel may be required before cutting.
- Standard opening for wood door styles will be minimum cutout dimensions (see size charts below)
- **HPL, Thermofoil, TSS, and Wood Veneer door styles:** Removable panel is a one-piece, slab construction, with no opening and is shipped attached. Field cutout required.
- Oven shelf and cleats are tacked to interior cabinet shelf for field install.
- Custom factory cutouts are available, apply Custom Cutout Modification. See pg 71 for CC1 specs and pricing. Minimum and maximum cutout dimensions listed in chart at left.

Modification Limits	
RD	9" min.



	K1	K2	K3	K4	K5
<b>BASE OVEN</b>					
BOV30	631	649	668	693	750
BOV33	649	681	713	739	801
BOV36	704	732	759	786	852

CC1 - price per cutout	389
------------------------	-----

### CC1 – Custom Cutout Modification

- Specify opening width (W1) and height (H1)
- Rails above and below the opening are made equal height

BASE OVEN		
Opening	Existing & Min. Cutout	Max. Cutout
W1 (width)	Cab. Width - 9"	Cab. Width - 3"
H1 (height)	17-7/8"	26-7/8"

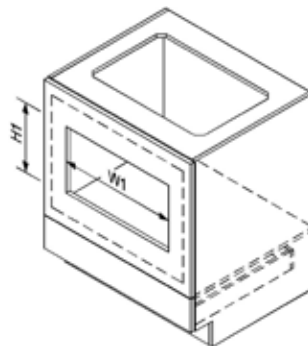
Standard panel sizes by cabinet width & type		
Cabinet Width	Panel Width	Panel Height
		BOV
30"	29-7/8"	29-3/4"
33"	32-7/8"	
36"	35-7/8"	

## Base Oven w/Drawer (BOVD\_)

- See notes above
- Drawer front height: 5-7/8"

Modification Limits	
RD	Allowable Depths: 15", 18", 21"

Standard panel sizes by cabinet width & type		
Cabinet Width	Panel Width	Panel Height
		BOVD
24"	23-7/8"	23-3/4"
27"	26-7/8"	
30"	29-7/8"	



	K1	K2	K3	K4	K5
<b>BASE OVEN w/DRAWER</b>					
BOVD24	485	534	582	603	652
BOVD27	524	576	629	651	706
BOVD30	564	619	675	700	759

CC1 - price per cutout	389
------------------------	-----

### CC1 – Custom Cutout Modification

- Specify opening width (W1) and height (H1)
- Rails above and below the opening are made equal height

BASE OVEN WITH DRAWER		
Opening	Existing & Min. Cutout	Max. Cutout
W1 (width)	Cab. Width - 9"	Cab. Width - 3"
H1 (height)	11-7/8"	20-7/8"

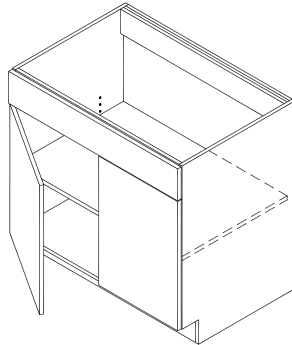
# Base Cabinets (Height: 34-1/2", Depth: 24" unless noted)

## Base Cooktop (BCT\_)

- One adjustable shelf

### Modification Limits

RD	9" min.
----	---------



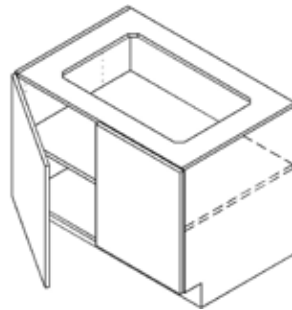
	K1	K2	K3	K4	K5
<b>BASE COOKTOP 2 DOOR 1 FALSE FRONT</b>					
BCT24DD	508	559	608	631	683
BCT30	609	652	696	720	780
BCT36	681	733	783	812	880
BCT42	801	868	935	968	1048

## Base Cooktop 27" H (BCT\_27)

- One adjustable shelf
- No false front

### Modification Limits

RD	9" min.
----	---------



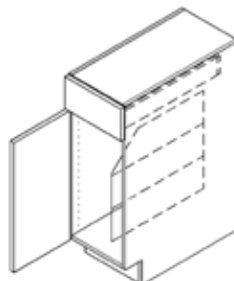
	K1	K2	K3	K4	K5
<b>2 DOOR</b>					
BCT3027	868	955	1041	1079	1168
BCT3627	958	1053	1148	1189	1287
<b>2 DOOR w/CENTER MULLION</b>					
BCT4827	1493	1642	1790	1853	2009

## Base Tray (BT\_)

- One chrome wire tray divider installed
- Divider dimension 18" H x 20" D
- Select hinge side R or L on cabinets with 1 door

### Modification Limits

Not Available



	K1	K2	K3	K4	K5
<b>1 DOOR</b>					
BT09	507	547	588	605	647
BT12	554	600	647	665	713



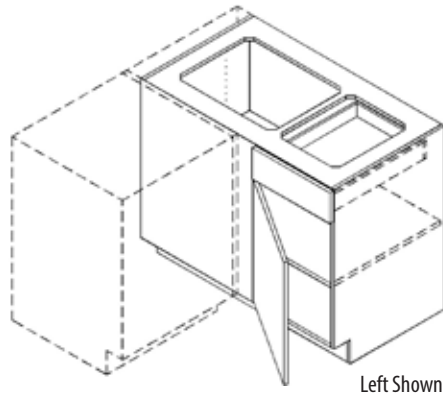
# Base Cabinets (Height: 34-1/2", Depth: 24" unless noted)

## Base Square Corner (BSC\_)

- One adjustable shelf
- R or L determined by side voided

### Modification Limits

RD	Allowable Depths: 15", 18", 21"
----	------------------------------------



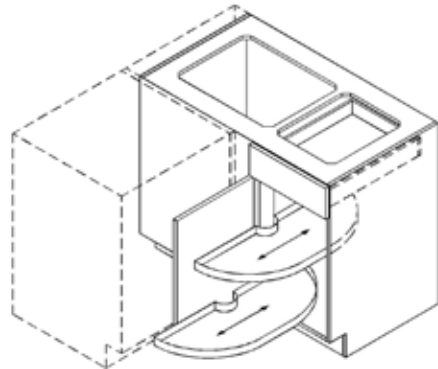
	K1	K2	K3	K4	K5
<b>BASE SQUARE CORNER</b>					
BSC36-39	566	750	935	968	1048
BSC39-42	605	795	985	1020	1104
BSC42-45	644	840	1034	1071	1161
BSC45-48	683	884	1086	1125	1218
BSC48-51	729	786	842	873	946

## Base Square Corner w/Half-round Trays (BSC\_HR)

- Two half-round white plastic trays pivot and pull out of cabinet
- R or L determined by side voided

### Modification Limits

Not Available



	K1	K2	K3	K4	K5
<b>BSC w/HALF-ROUND TRAYS</b>					
BSC45-48HR	1414	1686	1958	2029	2197
BSC48-51HR	1459	1768	2078	2153	2333

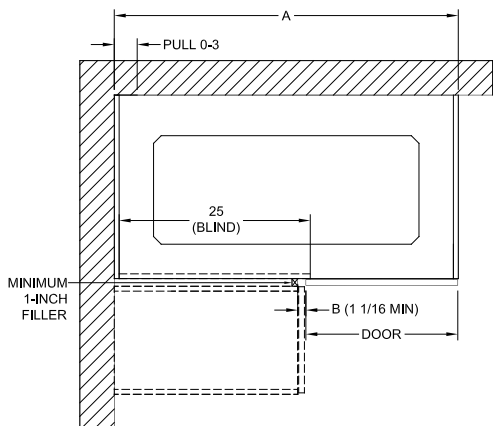
## BSC & FBSC Information

- Max. recommended pull is 3"
- See pg. 51 for price/specs of FBSCs

Dimension "A" – Min., max. and void dimensions based on having a 24" deep cabinet adjacent to square corner cabinet. See chart for actual cabinet width.

Dimension "B" – Clearance between return cabinet and edge of door or drawer. Does not include depth of door, drawer or hardware on return cabinet.

Cabinet must be pulled so drawer clears adjacent appliance handle or drawer hardware. 1" min. filler is required to allow adjacent cabinet door to clear door on square corner cabinet. A filler equal to hardware depth + 1" must be used to clear door hardware.

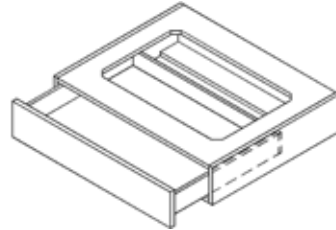


Cabinet	Actual Width	Min. Space "A"	Void At Min.	Max. Space "A"	Void At Max.	Door Width
(F)BSC36-39	36"	36"	0"	39"	3"	10-7/8"
(F)BSC39-42	39"	39"	0"	42"	3"	13-7/8"
(F)BSC42-45	42"	42"	0"	45"	3"	16-7/8"
(F)BSC45-48	45"	45"	0"	48"	3"	19-7/8"
(F)BSC48-51	48"	48"	0"	51"	3"	22-7/8"

# Base Cabinets (Height: 34-1/2", Depth: 24" unless noted)

## Base Desk Drawer (BDDC\_)

- Cabinet height: 6-1/8"
- Drawer front height: 5-7/8"
- Drawer box height: 3-1/4"
- Top of drawer lines up with standard 5-7/8" H drawer front of adjacent base or vanity drawer
- Ends are not finished



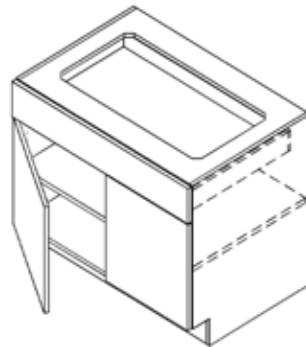
### Modification Limits

<b>RD</b>	Allowable Depths: 15", 18", 21"
-----------	------------------------------------

	K1	K2	K3	K4	K5
<b>BASE DESK DRAWER</b>					
BDDC24	308	340	373	386	418
BDDC27	328	361	396	410	444
BDDC30	347	383	419	433	469
BDDC33	373	410	446	464	501
BDDC36	395	436	477	494	536

## Base Desk 28-1/2" H (D\_)

- One adjustable shelf
- Select hinge side R or L on cabinets with 1 door



### Modification Limits

<b>RD</b>	Allowable Depths: 15", 18", 21"
-----------	------------------------------------

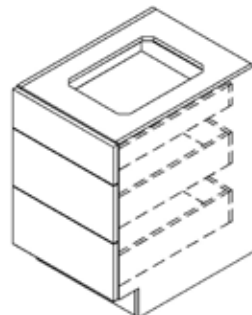
	K1	K2	K3	K4	K5
<b>BASE DESK 1 DOOR</b>					
D12	418	459	500	518	562
D15	454	498	543	562	609
D18	490	539	588	608	660
D21	526	577	629	652	707

### BASE DESK 2 DOOR

D24DD	569	625	683	707	765
D27	613	674	734	760	824
D30	648	713	776	805	871
D33	685	753	821	851	922
D36	721	792	864	894	969

## Base Desk 3 Drawer 28-1/2" H (D3D\_)

- Drawer front heights:  
(1) 5-7/8" | (2) 8-13-16"



### Modification Limits

<b>RD</b>	Allowable Depths: 15", 18", 21"
-----------	------------------------------------

	K1	K2	K3	K4	K5
<b>DESK 3 DRAWER</b>					
D3D12	593	652	711	737	798
D3D15	636	700	763	791	855
D3D18	681	749	816	845	916
D3D21	691	760	828	858	930
D3D24	766	842	919	952	1031

# Full Base Cabinets (Height: 34-1/2", Depth: 24" unless noted)

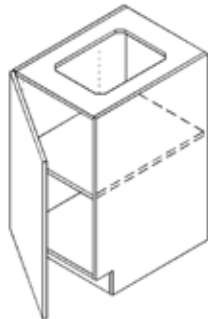
## Full Base (FB\_)

- One adjustable shelf
- Select hinge side R or L on cabinets with 1 door

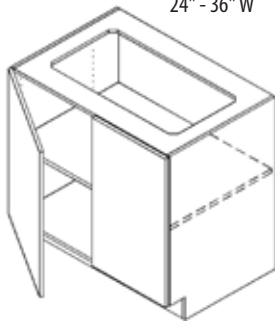
### Modification Limits

RD	9" min.
----	---------

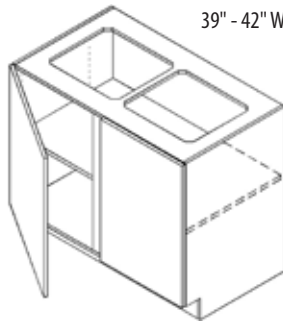
12" - 22-1/2" W



24" - 36" W



39" - 42" W



K1 K2 K3 K4 K5

### FULL BASE 1 DOOR

FB09	301	340	377	392	423
FB12	336	383	431	446	484
FB13.5	353	409	465	482	523
FB15	369	435	500	518	562
FB16.5	386	451	514	533	577
FB18	402	465	528	547	593
FB19.5	419	487	554	573	622
FB21	436	507	579	599	649
FB22.5	474	543	612	634	687

### FULL BASE 2 DOOR

FB24DD	510	577	644	667	723
FB27	544	618	691	717	776
FB30	577	660	742	768	832
FB33	612	701	791	819	887
FB36	645	742	840	870	942

### FULL BASE 2 DOOR w/CENTER MULLION

FB39	708	809	910	943	1022
FB42	742	863	982	1018	1103

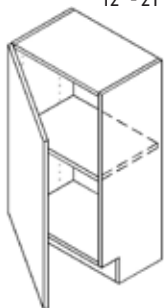
## 12" D Full Base (FB\_12)

- See notes above

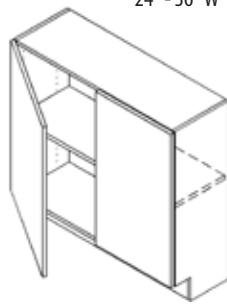
### Modification Limits

Not Available

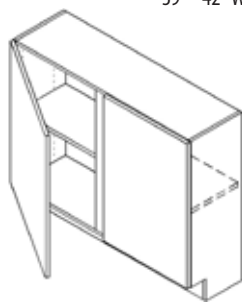
12" - 21" W



24" - 36" W



39" - 42" W



K1 K2 K3 K4 K5

### FULL BASE 1 DOOR

FB09X12	281	308	336	347	376
FB12X12	314	346	377	392	423
FB15X12	344	382	420	435	472
FB18X12	376	419	462	480	520
FB21X12	409	458	505	524	567

### FULL BASE 2 DOOR

FB24X12DD	481	523	566	586	635
FB27X12	513	560	608	631	683
FB30X12	544	598	651	674	730
FB33X12	577	635	691	717	776
FB36X12	609	671	734	760	824

### FULL BASE 2 DOOR w/CENTER MULLION

FB39X12	671	740	808	837	907
FB42X12	701	792	881	913	989

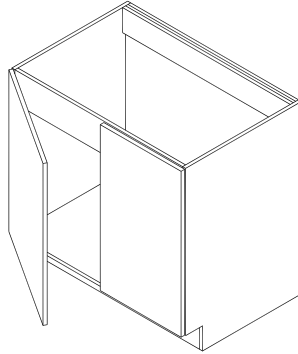
# Full Base Cabinets (Height: 34-1/2", Depth: 24" unless noted)

## Full Base Sink (FBS\_)

- Select hinge side R or L on cabinets with 1 door

### Modification Limits

RD	9" min.
----	---------



	K1	K2	K3	K4	K5
--	----	----	----	----	----

FULL BASE SINK 1 DOOR					
FBS18	408	444	481	498	540
FBS21	441	481	521	540	585

### FULL BASE SINK 2 DOOR

FBS24DD	484	531	579	599	649
FBS27	514	566	619	641	694
FBS30	544	602	660	684	740
FBS33	575	638	701	726	786
FBS36	605	672	742	768	832

### FULL BASE 2 DOOR w/CENTER MULLION

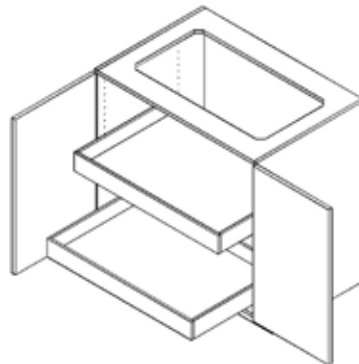
FBS39	664	723	782	809	877
FBS42	694	757	821	851	922
FBS45	724	793	863	893	968
FBS48	755	827	897	930	1007

## Full Base Roll-out (FBRO\_)

- Two 3-1/4" H roll-outs
- 1/2" thick plywood sides with dovetail construction and Natural finish
- Bottom roll-out is floor mounted
- Select hinge side R or L on cabinets with 1 door

### Modification Limits

RD	Allowable Depths: 15", 18", 21"
----	------------------------------------



	K1	K2	K3	K4	K5
--	----	----	----	----	----

FULL BASE ROLL-OUT 1 DOOR					
FBRO12	530	582	635	658	713
FBRO15	544	634	721	747	811
FBRO18	595	681	768	795	863
FBRO21	645	736	827	857	927

### FULL BASE ROLL-OUT 2 DOOR

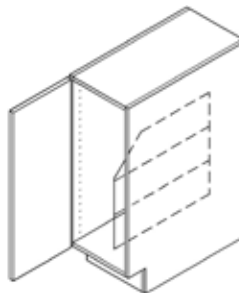
FBRO24DD	734	818	901	933	1011
FBRO27	785	871	958	992	1074
FBRO30	835	926	1017	1053	1140
FBRO33	886	981	1074	1113	1207
FBRO36	936	1034	1132	1172	1270

## Full Base Tray (FBT\_)

- One chrome wire tray divider installed
- Divider dimension 18" H x 20" D
- Select hinge side R or L on cabinets with 1 door

### Modification Limits

Not Available



	K1	K2	K3	K4	K5
--	----	----	----	----	----

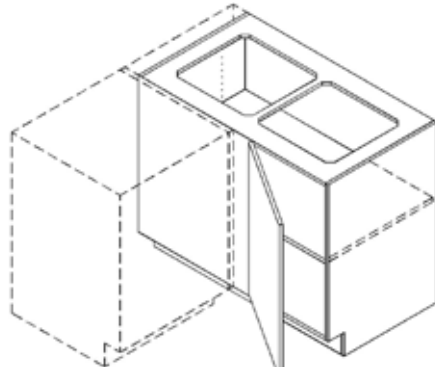
1 DOOR					
FBT09	406	445	482	497	528
FBT12	441	488	536	552	589

# Full Base Cabinets (Height: 34-1/2", Depth: 24" unless noted)

## Full Base Square Corner (FBSC\_)

- One adjustable shelf
- R or L determined by side voided

Modification Limits	
RD	Allowable Depths: 15", 18", 21"



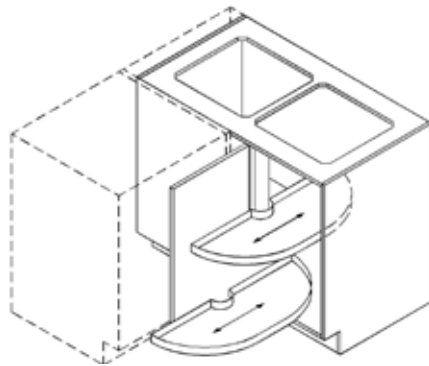
	K1	K2	K3	K4	K5
FBSC36-39	497	716	935	968	1048
FBSC39-42	530	757	985	1020	1104
FBSC42-45	563	799	1034	1071	1161
FBSC45-48	598	841	1086	1125	1218
FBSC48-51	631	684	737	765	828

See pg 47 for additional information

## Full Base Square Corner w/Half-round Trays (FBSC\_HR)

- Two half-round white plastic trays pivot and pull out of cabinet
- R or L determined by side voided

Modification Limits	
	Not Available



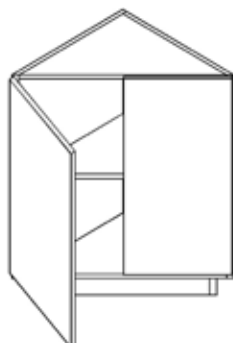
	K1	K2	K3	K4	K5
FBSC45-48HR	1329	1577	1824	1891	2048
FBSC48-51HR	1362	1652	1943	2012	2180

See pg 47 for additional information

## Full Base End Angle (FBEA\_)

- One fixed shelf

Modification Limits	
	Not Available



	K1	K2	K3	K4	K5
FBEA24	557	613	668	693	750

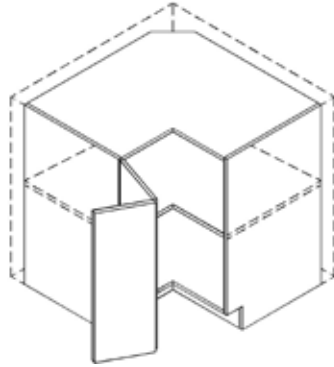
# Full Base Cabinets (Height: 34-1/2", Depth: 24" unless noted)

## Full Base Corner (FBCC\_)

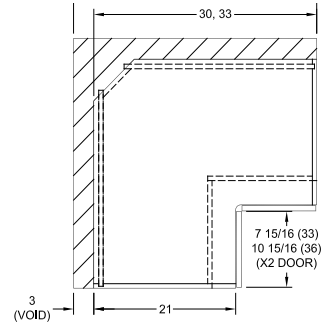
### Modification Limits

Not Available

- One adjustable shelf
- Bifold-hinged door opens 170° from face of cabinet
- Select hinge side R or L



	K1	K2	K3	K4	K5
FBCC33	501	543	585	606	657
FBCC36	552	622	694	719	778

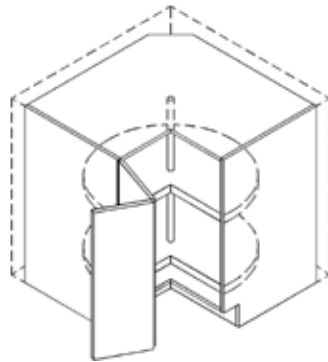


## Full Base Corner Lazy Susan (FBCC\_LS)

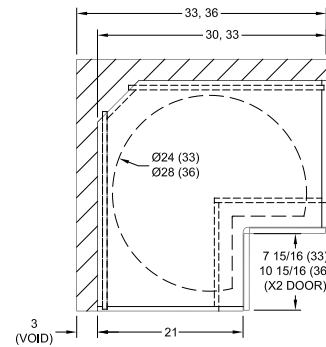
### Modification Limits

Not Available

- Two white plastic lazy susan rotating trays
- Tray diameter: 33LS - 24" | 36LS - 28"
- Bifold-hinged door opens 170° from face of cabinet
- Select hinge side R or L



	K1	K2	K3	K4	K5
FBCC33LS	819	888	958	992	1074
FBCC36LS	927	933	940	973	1056

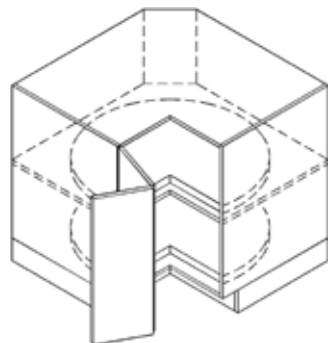


## Full Base Corner Super Susan (FBCC\_SS)

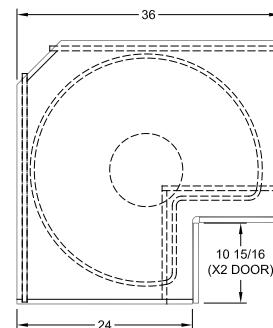
### Modification Limits

Not Available

- Two shelf-mounted rotating wood trays
- Tray diameter: 36SS - 31-3/4"
- Bifold-hinged door opens 170° from face of cabinet
- Ships with loose toekick
- Select hinge side R or L



	K1	K2	K3	K4	K5
FBCC36SS	1269	1593	1915	1984	2150



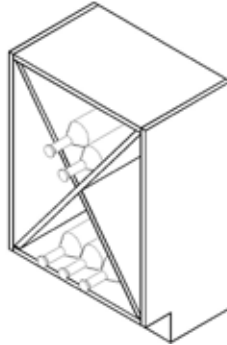
# Full Base Cabinets (Height: 34-1/2", Depth: 24" unless noted)

## 15" D - Base "X" Wine Rack (BFWRX\_)

- 3/4" thick construction
- Interior is finished (FMI)

### Modification Limits

Not Available



### 21" W K1 - K5

#### Approx. Bottle Capacity: 26

BFWRX21	1596
---------	------

### 24" W K1 - K5

#### Approx. Bottle Capacity: 39

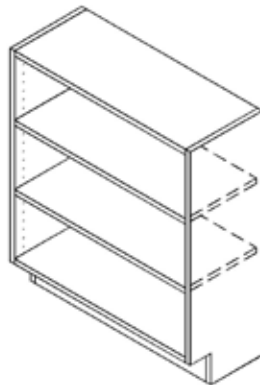
BFWRX24	1614
---------	------

## 12" D - Island Bookcase (IBC\_)

- 3/4" thick construction
- Interior is finished (FMI)

### Modification Limits

RD	9" min.
----	---------

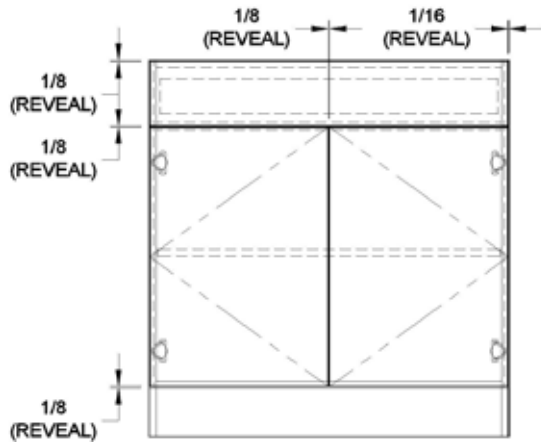


### 12" D K1 - K5

IBC09	573
IBC12	573
IBC15	608
IBC18	647
IBC21	681
IBC24	719
IBC27	755
IBC30	791
IBC33	827
IBC36	864

# Vanity Cabinets (Mid Height: 31-1/2" | Grand Height: 34-1/2" | Depth: 21" unless noted)

## Vanity Construction



**NOTE:** The cabinet graphics throughout the book only represent the products offered. Please carefully read specs, notes and modifications for each item prior to ordering.

\* Cabinets wider than 36" have a 3" wide center mullion that is compatible with door color

## Door & Drawer Front Widths

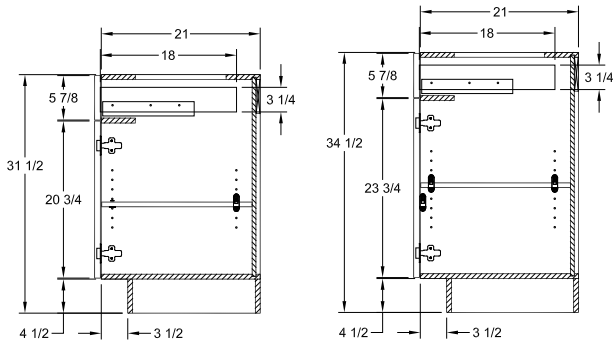
Cabinet Width	Full Overlay
12"	11-7/8"
15"	14-7/8"
18"	17-7/8"
21"	20-7/8"
24"	(2) 11-7/8"
27"	(2) 13-3/8"
30"	(2) 14-7/8"
33"	(2) 16-3/8"
36"	(2) 17-7/8"
39"	(2) 19-3/8"
42"	(2) 20-7/8"
45"	(2) 22-3/8"
48"	(2) 23-7/8"

## Door & Drawer Front Heights

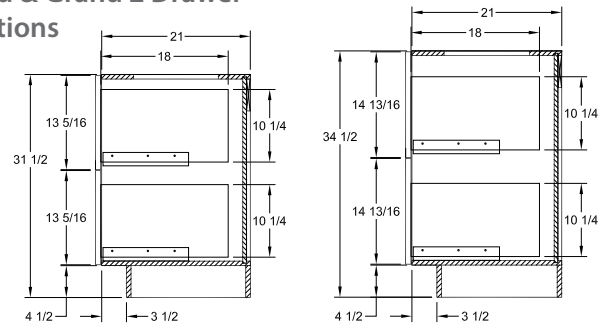
Cabinet Type	Full Overlay	
	Doors	Fronts
VM	20-3/4"	5-7/8"
VG	23-3/4"	5-7/8"
VM2D	-	(2) 13-5/16"
VG2D	-	(2) 14-13/16"
VWH2D	-	(2) 11-13/16"
VM3D	-	(1) 5-7/8" (2) 10-5/16"
VG3D	-	(1) 5-7/8" (2) 11-13/16"
VWH3D	-	(1) 5-7/8" (2) 8-13/16"
VG4D	-	(2) 5-7/8" (2) 8-13/16"

**NOTE:** Sink cabinets w/Doors & Drawers have sizes listed with the individual cabinet specifications

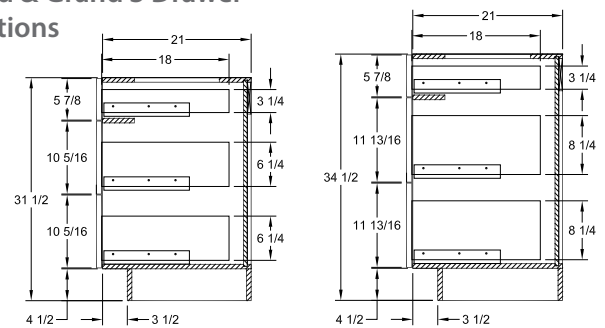
## Vanity Mid & Grand Cross Sections



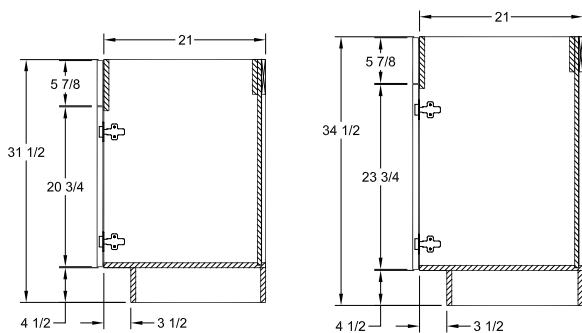
## Vanity Mid & Grand 2 Drawer Cross Sections



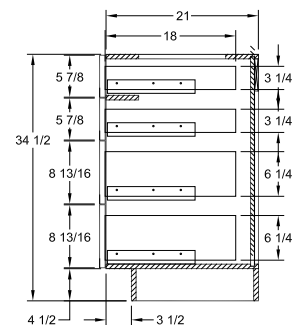
## Vanity Mid & Grand 3 Drawer Cross Sections



## Vanity Mid & Grand Sink Cross Sections



## Vanity Grand 4 Drawer Cross Sections





# Vanity Cabinets (Mid Height: 31-1/2" | Grand Height: 34-1/2" | Wall Hung 24" | Depth: 21" unless noted)

<p><b>Full Vanity Mid &amp; Grand Cross Sections</b></p>	<p><b>Full Vanity Mid &amp; Grand Sink Cross Sections</b></p>
<p><b>Desk Drawer Cabinet Cross Section</b></p>	<p><b>Vanity Wall Hung (Support Options)</b></p>
<p><b>Vanity Wall Hung Cross Section</b></p>	<p><b>Vanity Sink Wall Hung Cross Section</b></p>
<p><b>Vanity Wall Hung 2 Drawer Cross Section</b></p>	<p><b>Vanity Wall Hung 3 Drawer Cross Section</b></p>
<p><b>Full Vanity Wall Hung Cross Section</b></p>	<p><b>Full Vanity Sink Wall Hung Cross Section</b></p>

# Vanity Cabinets (Mid Height: 31-1/2" | Grand Height: 34-1/2" | Depth: 21" unless noted)

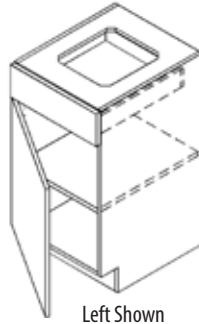
## Vanity Mid (VM\_) and Vanity Grand (VG\_)

- One adjustable shelf
- Select hinge side R or L on cabinets with 1 door

### Modification Limits

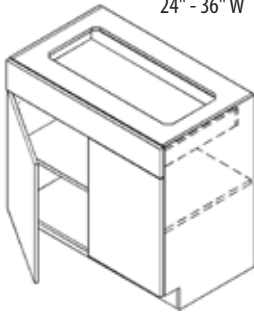
RD	Allowable Depths: 15", 18"
----	-------------------------------

12" - 21" W

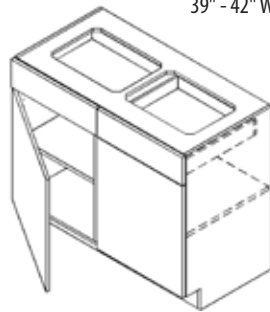


Left Shown

24" - 36" W



39" - 42" W

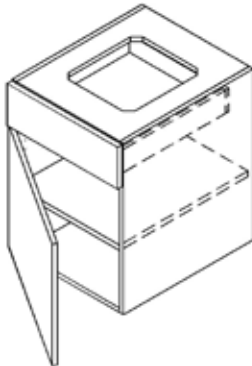


## Vanity Wall Hung (VWH\_)

- One adjustable shelf
- Select hinge side R or L
- Support is **required**, options are:
  1. Order brackets VWH-BRKT (pg 94) or
  2. Floor support "Pedestal"
    - must be built on-site using 3/4" CP material
    - min. depth 8"
    - (see pg 55)
- **Not Available:**  
Toekick modifications

### Modification Limits

RD	Allowable Depths: 15", 18"
----	-------------------------------



K1 K2 K3 K4 K5

### VANITY MID 1 DOOR

VM12	392	477	562	582	631
VM15	432	521	612	634	687
VM18	471	567	664	687	744
VM21	511	609	706	732	792

### VANITY MID 2 DOOR

VM24DD	588	684	780	808	876
VM27	626	729	831	861	933
VM30	674	778	881	913	989
VM33	713	822	932	966	1045
VM36	753	868	982	1018	1103

### VANITY MID 2 DOOR w/2 DRAWERS

VM39	867	950	1034	1071	1161
VM42	906	994	1080	1119	1212

K1 K2 K3 K4 K5

### VANITY GRAND 1 DOOR

VG12	399	469	541	560	608
VG15	439	528	619	641	694
VG18	480	560	642	665	720
VG21	520	606	694	719	778

### VANITY GRAND 2 DOOR

VG24DD	598	678	759	786	852
VG27	638	724	811	841	910
VG30	677	770	864	894	969
VG33	717	815	914	948	1027
VG36	757	861	965	999	1083

### VANITY GRAND 2 DOOR w/2 DRAWERS

VG39	886	969	1054	1092	1182
VG42	924	1012	1102	1140	1236

K1 K2 K3 K4 K5

### VWH12

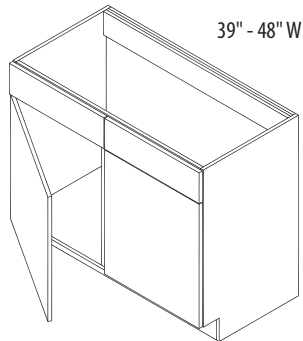
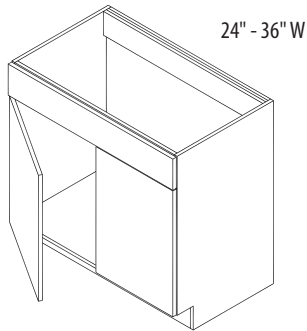
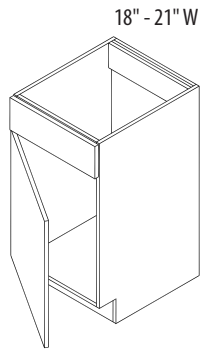
VWH12	372	467	562	582	631
VWH15	409	510	612	634	687
VWH18	445	554	664	687	744

# Vanity Cabinets (Mid Height: 31-1/2" | Grand Height: 34-1/2" | Depth: 21" unless noted)

## Vanity Mid Sink (VMS\_) and Vanity Grand Sink (VGS\_)

- Select hinge side R or L on cabinets with 1 door

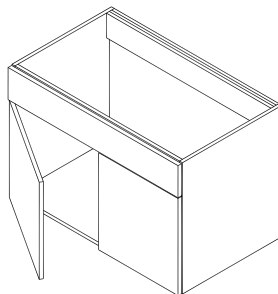
Modification Limits	
RD	9" min.



## Vanity Sink Wall Hung (VSWH\_)

- Select hinge side R or L on cabinets with 1 door
- Support is **required**, options are:
  - Order brackets VWH-BRKT (pg 94) or
  - Floor support "Pedestal"
    - must be built on-site using 3/4" CP material
    - min. depth 8"
    - (see pg 55)
- Not Available:** Toekick modifications

Modification Limits	
RD	Allowable Depths: 15", 18"



	K1	K2	K3	K4	K5
<b>VANITY MID SINK 1 DOOR</b>					
VMS18	393	413	435	451	488
VMS21	433	452	469	487	527

<b>VANITY MID SINK 2 DOOR</b>					
VMS24DD	478	503	521	540	585
VMS27	514	553	557	577	625
VMS30	544	583	595	615	667
VMS33	582	616	629	651	706
VMS36	613	649	664	687	744

<b>VANITY MID SINK 2 DOOR w/CENTER MULLION</b>					
VMS39	713	780	848	878	952
VMS42	721	815	886	917	994
VMS45	760	852	927	960	1041
VMS48	793	886	963	998	1081

	K1	K2	K3	K4	K5
<b>VANITY GRAND SINK 1 DOOR</b>					
VGS18	400	441	481	498	540
VGS21	433	478	521	540	585

<b>VANITY GRAND SINK 2 DOOR</b>					
VGS24DD	484	528	579	599	649
VGS27	514	566	619	641	694
VGS30	572	602	660	684	740
VGS33	603	641	701	726	786
VGS36	635	677	742	768	832

<b>VANITY GRAND SINK 2 DOOR w/CENTER MULLION</b>					
VGS39	744	793	865	897	972
VGS42	778	834	906	939	1017
VGS45	809	870	945	979	1061
VGS48	827	906	985	1020	1104

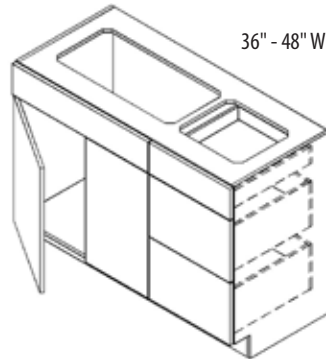
	K1	K2	K3	K4	K5
<b>VANITY SINK WALL HUNG 1 DOOR</b>					
VSWH18	387	410	435	451	488
VSWH21	409	439	469	487	527

<b>VANITY SINK WALL HUNG 2 DOOR</b>					
VSWH24DD	488	505	521	540	585
VSWH27	518	537	557	577	625
VSWH30	549	572	595	615	667
VSWH33	579	605	629	652	707
VSWH36	609	636	664	687	744

# Vanity Cabinets (Mid Height: 31-1/2" | Grand Height: 34-1/2" | Depth: 21" unless noted)

## Vanity Mid Sink (VMS3D\_) and Vanity Grand Sink (VGS3D\_) 3 Drawer

- Drawer front heights:  
VM = (1) 5-7/8" | (2) 10-5/16"
- VG = (1) 5-7/8" | (2) 11-13/16"
- Drawer front widths:
  - 36" W cabinet: 11-7/8"
  - 39" W cabinet: 14-7/8"
  - 42" - 48" W cabinet: 17-7/8"
- Select R or L to specify side with door(s)



### Modification Limits

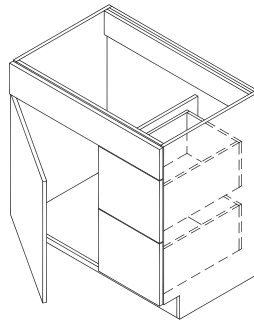
RD	Allowable Depths: 15", 18"
----	-------------------------------

	K1	K2	K3	K4	K5
<b>VANITY MID SINK 3 DRAWER - 2 DOOR</b>					
VMS3D36DD	904	989	1073	1112	1204
VMS3D39	950	1038	1126	1166	1264
VMS3D42	996	1089	1179	1223	1323
VMS3D45	1054	1156	1257	1303	1411
VMS3D48	1115	1221	1326	1374	1489

	K1	K2	K3	K4	K5
<b>VANITY GRAND SINK 3 DRAWER - 2 DOOR</b>					
VGS3D36DD	942	1022	1103	1143	1238
VGS3D39	991	1076	1159	1201	1302
VGS3D42	1038	1128	1217	1260	1365
VGS3D45	1099	1204	1309	1356	1469
VGS3D48	1162	1273	1385	1436	1555

## Vanity Mid Sink Offset (VMS3DO\_) and Vanity Grand Sink Offset (VGS3DO\_) 1 Front, 2 Dwr, 1 Door

- Door is wider than standard cabinet (above)
- Drawer front heights:  
VM = (1) 5-7/8" | (2) 10-5/16"  
VG = (1) 5-7/8" | (2) 11-13/16"
- Drawer front & Door widths:
  - 30" W cabinet: 11-7/8" | 17-7/8"
  - 33" W cabinet: 13-3/8" | 19-3/8"
  - 36" W cabinet: 14-7/8" | 20-7/8"
- Select R or L to specify side with door(s)



### Modification Limits

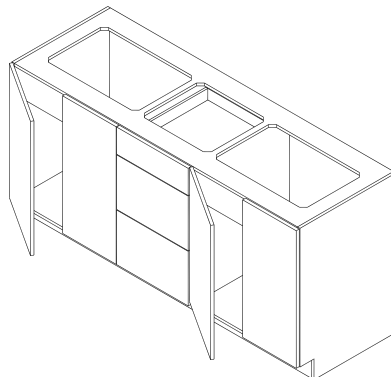
RD	Allowable Depths: 15", 18"
----	-------------------------------

	K1	K2	K3	K4	K5
<b>VANITY MID SINK OFFSET 1 FF, 2 DRAWER - 1 DOOR</b>					
VMS3D030	818	893	966	1001	1084
VMS3D033	861	940	1020	1057	1145
VMS3D036	886	971	1051	1093	1181

	K1	K2	K3	K4	K5
<b>VANITY GRAND SINK OFFSET 1 FF, 2 DRAWER - 1 DOOR</b>					
VGS3D030	851	920	989	1025	1110
VGS3D033	897	972	1047	1084	1175
VGS3D036	923	1005	1084	1123	1221

## Vanity Mid (FVM2SD\_) and Vanity Grand (FVG2SD\_) Double Sink, 3 Dwr, Full Doors

- Drawer front heights:  
VM = (1) 5-7/8" | (2) 10-5/16"  
VG = (1) 5-7/8" | (2) 11-13/16"
- Drawer front widths:
  - 60" W cabinet: 11-7/8"
  - 66" W cabinet: 17-7/8"
  - 72" W cabinet: 17-7/8"



### Modification Limits

RD	Allowable Depths: 15", 18"
----	-------------------------------

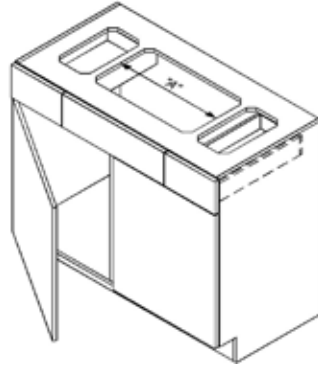
	K1	K2	K3	K4	K5
<b>VANITY MID DOUBLE SINK 3 DRAWER - 2 FULL DOOR</b>					
FVM2SD60	1280	1378	1476	1529	1656
FVM2SD66	1352	1452	1552	1607	1741
FVM2SD72	1426	1531	1636	1693	1835

	K1	K2	K3	K4	K5
<b>VANITY GRAND DOUBLE SINK 3 DRAWER - 2 FULL DOOR</b>					
FVG2SD60	1310	1466	1623	1680	1822
FVG2SD66	1382	1544	1706	1767	1915
FVG2SD72	1457	1627	1799	1863	2019

# Vanity Cabinets (Mid Height: 31-1/2" | Grand Height: 34-1/2" | Depth: 21" unless noted)

## Vanity Mid (VMCOM\_) and Vanity Grand (VGCOM\_) Combination

- Distance between drawers (A) based on cabinet width:
  - 36" wide: A=18"
  - 39"-48" wide: A=21"
- Drawer front widths:
  - 36"-39" W cabinet: 8-7/8"
  - 42" W cabinet: 10-3/8"
  - 45" W cabinet: 11-7/8"
  - 48" W cabinet: 13-3/8"



### Modification Limits

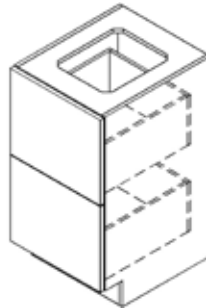
RD	Allowable Depths: 15", 18"
----	-------------------------------

	K1	K2	K3	K4	K5
<b>VANITY MID COMBO</b>					
VMCOM36	845	919	991	1027	1113
VMCOM39	912	969	1027	1064	1152
VMCOM42	952	1007	1063	1100	1192
VMCOM45	988	1044	1099	1138	1233
VMCOM48	1027	1081	1135	1176	1274

	K1	K2	K3	K4	K5
<b>VANITY GRAND COMBO</b>					
VGCOM36	880	985	1090	1130	1224
VGCOM39	949	1040	1130	1171	1269
VGCOM42	991	1080	1169	1211	1312
VGCOM45	1028	1117	1208	1251	1355
VGCOM48	1070	1158	1247	1292	1400

## Vanity Mid (VM2D\_) and Vanity Grand (VG2D\_) 2 Drawer

- Drawer front heights:
  - VM = (2) 13-5/16"
  - VG = (2) 14-13/16"



### Modification Limits

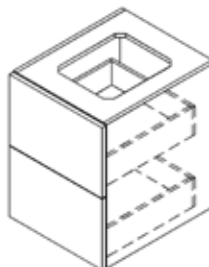
RD	Allowable Depths: 15", 18"
----	-------------------------------

	K1	K2	K3	K4	K5
<b>VANITY MID 2 DRAWER</b>					
VM2D12	518	569	621	644	697
VM2D15	590	649	707	733	795
VM2D18	768	772	776	805	871
VM2D21	824	832	841	871	943
VM2D24	883	894	906	939	1017

	K1	K2	K3	K4	K5
<b>VANITY GRAND 2 DRAWER</b>					
VG2D12	576	632	690	714	775
VG2D15	629	691	753	780	845
VG2D18	798	809	819	848	920
VG2D21	838	861	883	914	991
VG2D24	917	932	948	981	1063

## Vanity Wall Hung 2 Drawer (VWH2D\_)

- Drawer front heights:
  - (2) 11-13/16"
- Support is **required**, options are:
  - Order brackets VWH-BRKT (pg 94)  
or
  - Floor support "Pedestal"
    - must be built on-site using 3/4" CP material
    - min. depth 8"
    - (see pg 55)
- Not Available:**  
Toekick modifications



### Modification Limits

RD	Allowable Depths: 15", 18"
----	-------------------------------

	K1	K2	K3	K4	K5
VWH2D12	518	569	621	644	697
VWH2D15	590	649	707	733	795
VWH2D18	697	737	776	805	871

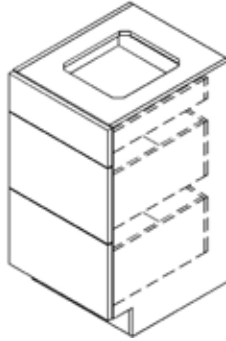
# Vanity Cabinets (Mid Height: 31-1/2" | Grand Height: 34-1/2" | Depth: 21" unless noted)

## Vanity Mid (VM3D\_) and Vanity Grand (VG3D\_) 3 Drawer

- Drawer front heights:  
VM = (1) 5-7/8" | (2) 10-5/16"  
VG = (1) 5-7/8" | (2) 11-13/16"

### Modification Limits

RD	Allowable Depths: 15", 18"
----	-------------------------------



K1 K2 K3 K4 K5

### VANITY MID 3 DRAWER

VM3D12	580	710	840	870	942
VM3D15	645	773	903	935	1014
VM3D18	708	838	968	1004	1087
VM3D21	770	901	1032	1070	1158
VM3D24	835	966	1097	1138	1233

K1 K2 K3 K4 K5

### VANITY GRAND 3 DRAWER

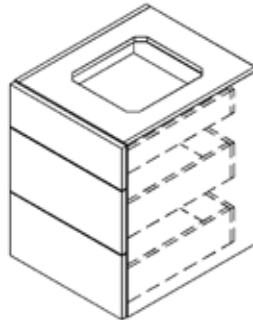
VG3D12	595	708	822	852	923
VG3D15	661	773	887	919	995
VG3D18	726	840	952	986	1068
VG3D21	791	903	1017	1053	1140
VG3D24	857	969	1080	1119	1212

## Vanity Wall Hung 3 Drawer (VWH3D\_)

- Drawer front heights:  
(1) 5-7/8" | (2) 8-13/16"
- Support is **required**, options are:
  1. Order brackets VWH-BRKT (pg 94)  
or
  2. Floor support "Pedestal"  
– must be built on-site  
using 3/4" CP material  
– min. depth 8"  
– (see pg 55)
- **Not Available:**  
Toekick modifications

### Modification Limits

RD	Allowable Depths: 15", 18"
----	-------------------------------



K1 K2 K3 K4 K5

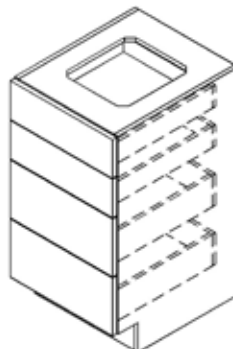
VWH3D12	539	688	840	870	942
VWH3D15	596	749	903	935	1014
VWH3D18	654	811	968	1004	1087

## Vanity Grand (VG4D\_) 4 Drawer

- Drawer front heights:  
(2) 5-7/8" | (2) 8-13/16"

### Modification Limits

RD	Allowable Depths: 15", 18"
----	-------------------------------



K1 K2 K3 K4 K5

### VANITY GRAND 4 DRAWER

VG4D12	660	723	786	814	881
VG4D15	730	801	871	901	978
VG4D18	799	876	952	986	1068
VG4D21	868	952	1035	1073	1162
VG4D24	937	1028	1119	1159	1256

# Vanity Cabinets (Mid Height: 31-1/2" | Grand Height: 34-1/2" | Depth: 21" unless noted)

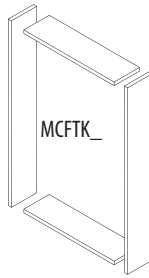
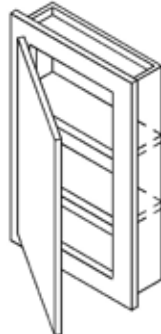
## Medicine Cabinet (MC\_)

- Two adjustable shelves
- May be recessed in or surface mounted to wall
  - Order optional flush mount kit (MCFTK\_) when surface mounting
- Select hinge side R or L
- Frame is eased on front outside edge
- **Not Available:** HG-HPL or TSS door styles and Toekick modifications

MC_	BOX	FRAME
Depth	4	
Width	14-1/4	15-3/4
Height	24	25-1/2
	30	31-1/2
	36	37-1/2

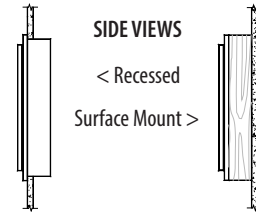
MCFTK_	BOX
Depth	4
Width	14-1/4
Height	25-1/2
	31-1/2
	37-1/2

Modification Limits	
RD	Not Available



	K1	K2	K3	K4	K5
<b>MEDICINE CABINET</b>					
MC1524	343	376	410	425	459
MC1530	429	465	503	520	563
MC1536	514	557	602	624	675

K1 - K5					
<b>FLUSH MOUNT KIT</b>					
MCFTK24			107		
MCFTK30			135		
MCFTK36			161		



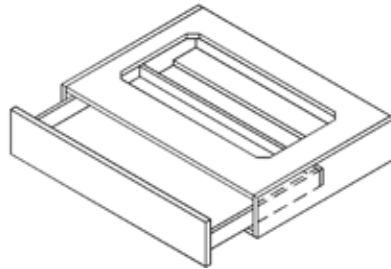
**SIDE VIEWS**  
 < Recessed  
 Surface Mount >

- Frame extends 3/4" beyond box to allow for overlap of opening when recessed or flush mount
- Recessed: box is sized to fit between wall studs at 16" centers

## Desk Drawer Cabinet (DDC\_)

- Drawer front height: 5-1/8"
- Drawer box height: 2-1/4"
- Overall height: 5-3/8"

Modification Limits	
RD	Allowable Depths: 15", 18"



	K1	K2	K3	K4	K5
DDC24	361	367	373	386	418
DDC27	372	383	396	410	444
DDC30	382	400	419	433	469
DDC33	392	419	446	464	501
DDC36	402	439	477	494	536

# Full Vanity Cabinets (Mid H: 31-1/2" | Grand H: 34-1/2" | Depth: 21" unless noted)

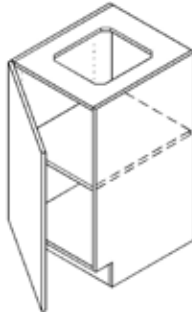
## Full Vanity Mid (FVM\_) and Full Vanity Grand (FVG\_)

- One adjustable shelf
- Select hinge side R or L on cabinets with 1 door

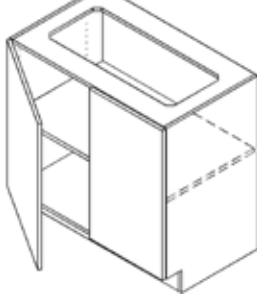
### Modification Limits

RD	9" min.
----	---------

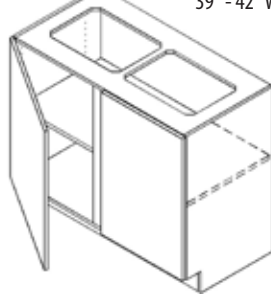
12" - 21" W



24" - 36" W



39" - 42" W

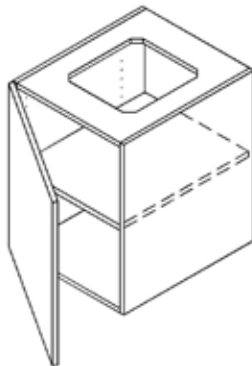


## Full Vanity Wall Hung (FVWH\_)

- One adjustable shelf
- Select hinge side R or L
- Support is **required**, options are:
  1. Order brackets VWH-BRKT (pg 94) or
  2. Floor support "Pedestal"
    - must be built on-site using 3/4" CP material
    - min. depth 8"
    - (see pg 55)

### Modification Limits

RD	Allowable Depths: 15", 18"
----	-------------------------------



K1 K2 K3 K4 K5

### FULL VANITY MID 1 DOOR

FVM12	328	350	373	386	418
FVM15	360	386	412	426	462
FVM18	393	423	452	468	507
FVM21	426	455	484	501	543

### FULL VANITY MID 2 DOOR

FVM24DD	500	517	534	553	599
FVM27	533	554	575	595	645
FVM30	566	590	615	638	691
FVM33	599	628	655	678	736
FVM36	631	662	696	720	780

### FULL VANITY MID 2 DOOR w/CENTER MULLION

FVM39	693	759	825	854	926
FVM42	726	795	864	894	969

K1 K2 K3 K4 K5

### FULL VANITY GRAND 1 DOOR

FVG12	336	383	431	446	484
FVG15	369	435	500	518	562
FVG18	402	465	528	547	593
FVG21	436	507	579	599	649

### FULL VANITY GRAND 2 DOOR

FVG24DD	510	577	644	667	723
FVG27	544	667	791	818	887
FVG30	577	660	742	768	832
FVG33	612	701	791	818	887
FVG36	645	742	840	870	942

### FULL VANITY GRAND 2 DOOR w/CENTER MULLION

FVG39	708	776	844	874	948
FVG42	742	812	883	914	991

K1 K2 K3 K4 K5

FVWH12	305	338	373	386	418
FVWH15	336	373	412	426	462
FVWH18	366	409	452	468	507

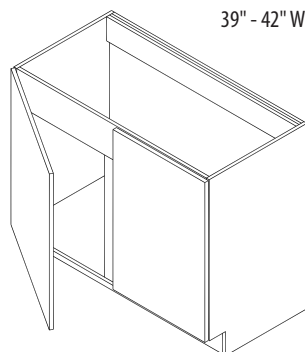
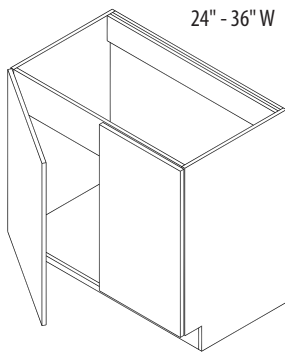
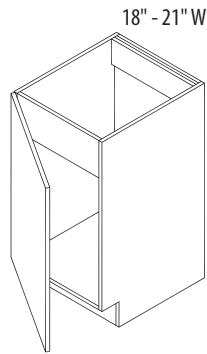


# Full Vanity Cabinets (Mid H: 31-1/2" | Grand H: 34-1/2" | Depth: 21" unless noted)

## Full Vanity Mid Sink (FVMS\_) and Full Vanity Grand Sink (FVGS\_)

- Select hinge side R or L on cabinets with 1 door

Modification Limits	
RD	9" min.



	K1	K2	K3	K4	K5
<b>FULL VANITY MID SINK 1 DOOR</b>					
FVMS18	400	418	435	451	488
FVMS21	429	449	469	487	527

<b>FULL VANITY MID SINK 2 DOOR</b>					
FVMS24DD	487	504	521	540	585
FVMS27	516	554	595	615	667
FVMS30	544	569	595	615	667
FVMS33	573	600	629	651	706
FVMS36	602	632	664	687	744

<b>FULL VANITY MID SINK 2 DOOR w/CENTER MULLION</b>					
FVMS39	631	691	752	779	844
FVMS42	660	723	786	814	881
FVMS45	688	755	821	851	922
FVMS48	717	786	855	886	959

	K1	K2	K3	K4	K5
<b>FULL VANITY GRAND SINK 1 DOOR</b>					
FVGS18	408	444	481	498	540
FVGS21	436	480	521	540	585

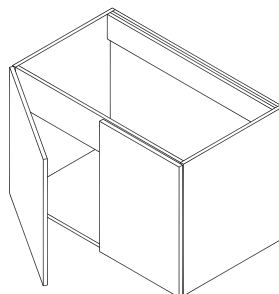
<b>FULL VANITY GRAND SINK 2 DOOR</b>					
FVGS24DD	494	536	579	599	649
FVGS27	523	570	619	641	694
FVGS30	552	606	660	684	740
FVGS33	580	641	701	726	786
FVGS36	609	675	742	768	832

<b>FULL VANITY GRAND SINK 2 DOOR w/CENTER MULLION</b>					
FVGS39	638	700	760	788	854
FVGS42	667	730	795	824	891
FVGS45	696	762	828	858	930
FVGS48	724	793	864	894	969

## Full Vanity Sink Wall Hung (FVSWH\_)

- Select hinge side R or L on cabinets with 1 door
- Support is **required**, options are:
  - Order brackets VWH-BRKT (pg 94) or
  - Floor support "Pedestal"
    - must be built on-site using 3/4" CP material
    - min. depth 8"
    - (see pg 55)

Modification Limits	
RD	Allowable Depths: 15", 18"

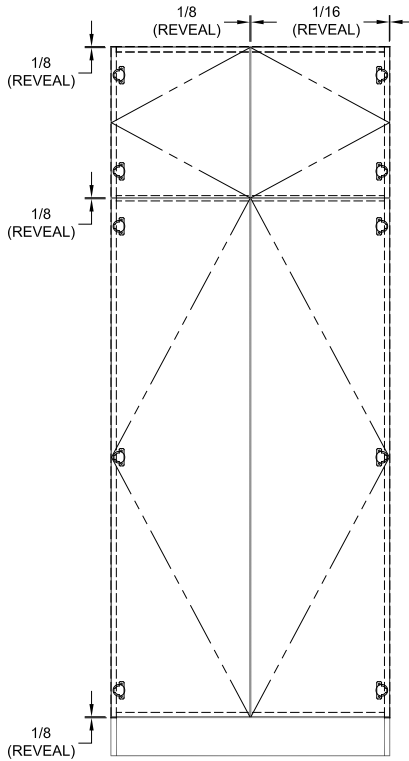


	K1	K2	K3	K4	K5
<b>FULL VANITY SINK WALL HUNG 1 DOOR</b>					
FVSWH18	377	410	445	461	498
FVSWH21	406	438	469	487	527

<b>FULL VANITY GRAND SINK 2 DOOR</b>					
FVSWH24DD	464	492	521	540	585
FVSWH27	492	526	559	579	626
FVSWH30	521	557	595	615	667
FVSWH33	550	590	629	652	707
FVSWH36	579	621	664	687	744

# Tall Cabinets

## Tall Construction & Cross Sections

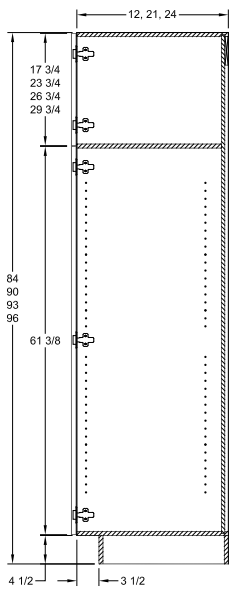


**NOTE:** The cabinet graphics throughout the book only represent the products offered. Please carefully read specs, notes and modifications for each item prior to ordering.

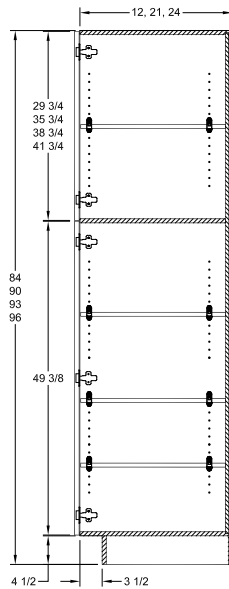
Door Widths	
Cabinet Width	Full Overlay
15"	14-7/8"
18"	17-7/8"
21"	20-7/8"
24"	23-7/8"
27"	(2) 13-3/8"
30"	(2) 14-7/8"
33"	(2) 16-3/8"
36"	(2) 17-7/8"

Door / DF Heights		
Cabinet Height	Full Overlay	
UTILITY	Upper Section	Lower Section
84"	17-3/4"	61-3/8"
90"	23-3/4"	
93"	26-3/4"	
96"	29-3/4"	
PANTRY	Upper Section	
84"	29-3/4"	49-3/8"
90"	35-3/4"	
93"	38-3/4"	
96"	41-3/4"	
UOV-1S/1D	Upper Section	Drawer Front
84"	17-3/4"	15 = 7" & 1D = 11-13/16"
90"	23-3/4"	
93"	26-3/4"	
96"	29-3/4"	
UOV-1SS	Upper Section	Drawer Front
84"	11-3/4"	7"
90"	17-3/4"	
93"	20-3/4"	
96"	23-3/4"	
UOV-FB	Upper Section	Lower Section
84"	17-3/4"	29-3/4"
90"	23-3/4"	
93"	26-3/4"	
96"	29-3/4"	

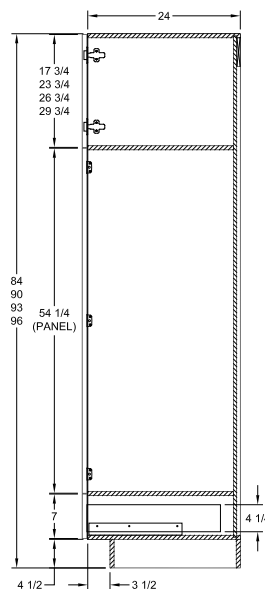
### Utility - 24", 21" & 12" Deep



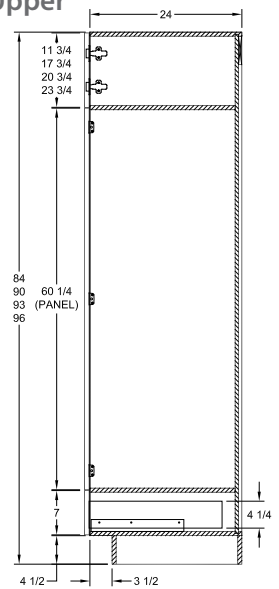
### Pantry - 24", 21" & 12" Deep



### Universal Oven - 1 Shallow Drawer



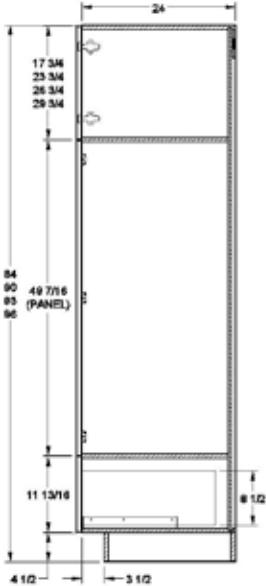
### Universal Oven - 1 Shallow Drawer Short Upper



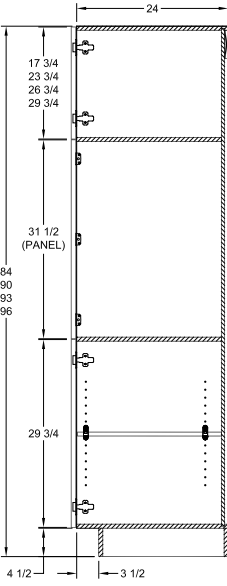
**Note:** Toekick ships loose for all Tall cabinets over 90" H

# Tall Cabinets

Universal Oven -  
1 Deep Drawer



Universal Oven -  
Full Base



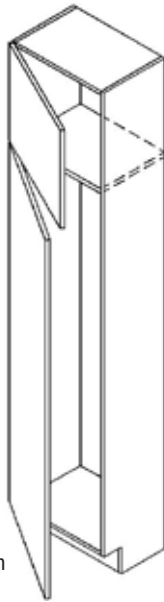
**Note:** Toekick ships loose for all Tall cabinets over 90" H

# Tall Cabinets

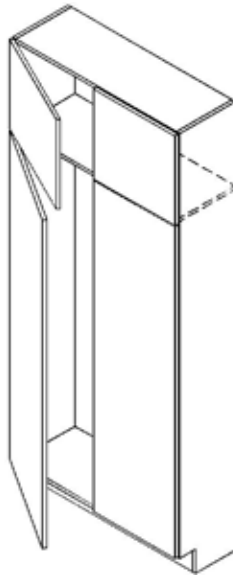
## 12" D Utility Cabinet (U\_X12)

- One fixed shelf
- 93" & 96" H have one adjustable shelf in upper section
- Over 90" H ships with loose Toekick
- Select hinge side R or L on cabinets with 1 door

Modification Limits	
	Not Available



Left Shown



84" H	K1	K2	K3	K4	K5
<b>12" D UTILITY CABINET - 1 DOOR</b>					
U1284X12	636	700	763	791	855
U1584X12	708	786	864	894	969
U1884X12	779	871	963	998	1081
U2184X12	850	955	1061	1099	1191

<b>12" D UTILITY CABINET - 2 DOOR</b>					
U2484X12DD	1053	1123	1194	1237	1339
U2784X12	1080	1185	1292	1338	1449
U3084X12	1151	1270	1391	1440	1561
U3384X12	1221	1355	1488	1542	1670
U3684X12	1293	1440	1587	1644	1781

90" H	K1	K2	K3	K4	K5
<b>12" D UTILITY CABINET - 1 DOOR</b>					
U1290X12	668	734	799	828	897
U1590X12	747	825	903	935	1014
U1890X12	824	916	1008	1044	1130
U2190X12	901	1007	1112	1152	1248

<b>12" D UTILITY CABINET - 2 DOOR</b>					
U2490X12DD	1110	1181	1253	1297	1405
U2790X12	1143	1250	1356	1405	1522
U3090X12	1221	1341	1462	1513	1640
U3390X12	1297	1431	1567	1623	1758
U3690X12	1375	1524	1670	1731	1875

93" H	K1	K2	K3	K4	K5
<b>12" D UTILITY CABINET - 1 DOOR</b>					
U1293X12	690	757	827	857	927
U1593X12	785	861	939	972	1053
U1893X12	867	958	1048	1086	1176
U2193X12	949	1035	1123	1164	1260

<b>12" D UTILITY CABINET - 2 DOOR</b>					
U2493X12DD	1162	1212	1263	1308	1417
U2793X12	1202	1287	1372	1423	1541
U3093X12	1284	1380	1473	1526	1655
U3393X12	1367	1473	1580	1637	1774
U3693X12	1449	1598	1747	1810	1961

96" H	K1	K2	K3	K4	K5
<b>12" D UTILITY CABINET - 1 DOOR</b>					
U1296X12	690	757	827	857	927
U1596X12	785	861	939	972	1053
U1896X12	867	958	1048	1086	1176
U2196X12	949	1035	1123	1164	1260

<b>12" D UTILITY CABINET - 2 DOOR</b>					
U2496X12DD	1162	1212	1263	1308	1417
U2796X12	1202	1284	1368	1417	1535
U3096X12	1284	1380	1473	1526	1655
U3396X12	1367	1473	1580	1637	1774
U3696X12	1449	1598	1747	1810	1961

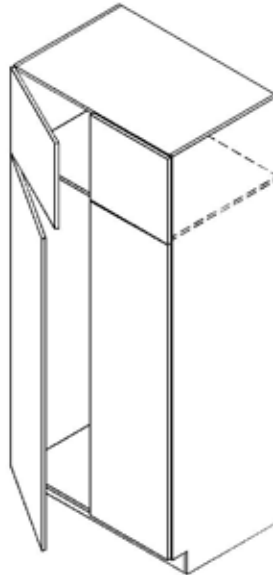
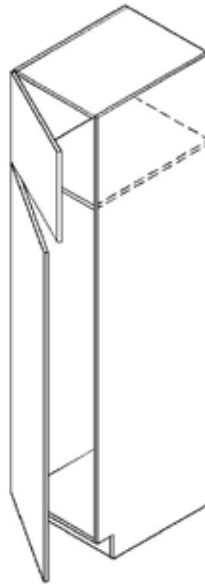
# Tall Cabinets

## 21" & 24" D Utility Cabinet (U\_)

- One fixed shelf
- 93" & 96" H have one adjustable shelf in upper section
- Over 90" H ships with loose Toekick
- Select 21 or 24 to indicate cabinet depth
- Select hinge side R or L on cabinets with 1 door

### Modification Limits

Not Available



84" H	K1	K2	K3	K4	K5
<b>21" &amp; 24" D UTILITY CABINET - 1 DOOR</b>					
U1284X_	710	780	851	881	955
U1584X_	827	893	958	992	1074
U1884X_	909	985	1063	1100	1192
U2184X_	991	1079	1165	1207	1308

<b>21" &amp; 24" D UTILITY CABINET - 2 DOOR</b>					
U2484X_DD	1205	1254	1303	1351	1463
U2784X_	1244	1325	1407	1457	1578
U3084X_	1326	1418	1511	1565	1696
U3384X_	1410	1512	1614	1672	1812
U3684X_	1492	1604	1716	1778	1927

90" H	K1	K2	K3	K4	K5
<b>21" &amp; 24" D UTILITY CABINET - 1 DOOR</b>					
U1290X_	746	819	894	926	1004
U1590X_	878	940	1002	1038	1125
U1890X_	968	1040	1112	1152	1248
U2190X_	1058	1140	1223	1266	1371

<b>21" &amp; 24" D UTILITY CABINET - 2 DOOR</b>					
U2490X_DD	1280	1323	1368	1417	1535
U2790X_	1328	1403	1477	1531	1657
U3090X_	1417	1502	1587	1644	1781
U3390X_	1508	1603	1698	1758	1905
U3690X_	1598	1704	1807	1872	2029

93" H	K1	K2	K3	K4	K5
<b>21" &amp; 24" D UTILITY CABINET - 1 DOOR</b>					
U1293X_	775	851	927	960	1041
U1593X_	927	985	1043	1080	1171
U1893X_	1022	1090	1158	1200	1300
U2193X_	1119	1178	1238	1283	1390

<b>21" &amp; 24" D UTILITY CABINET - 2 DOOR</b>					
U2493X_DD	1346	1365	1384	1433	1552
U2793X_	1401	1447	1493	1547	1676
U3093X_	1499	1552	1606	1663	1801
U3393X_	1594	1655	1715	1777	1925
U3693X_	1691	1788	1886	1956	2118

96" H	K1	K2	K3	K4	K5
<b>21" &amp; 24" D UTILITY CABINET - 1 DOOR</b>					
U1296X_	775	851	927	960	1041
U1596X_	927	985	1043	1080	1171
U1896X_	1022	1090	1158	1200	1300
U2196X_	1119	1178	1238	1283	1390

<b>21" &amp; 24" D UTILITY CABINET - 2 DOOR</b>					
U2496X_DD	1346	1365	1384	1433	1552
U2796X_	1401	1447	1493	1547	1676
U3096X_	1499	1552	1606	1663	1801
U3396X_	1594	1655	1715	1777	1925
U3696X_	1691	1788	1886	1956	2118

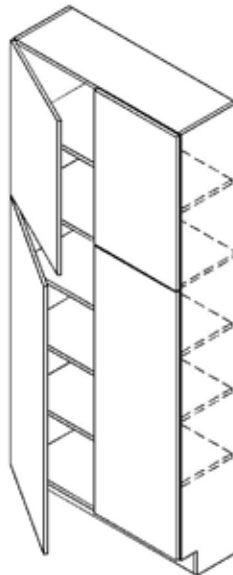
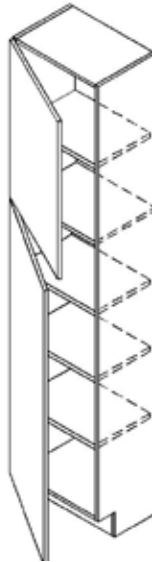
"\_" Select 21 or 24 cabinet depth

# Tall Cabinets

## 12" D Pantry Cabinet (P\_X12)

- One fixed shelf
- Four adjustable shelves
- 93" & 96" H have an extra adjustable shelf in upper section
- Over 90" H ships with loose Toekick
- Select hinge side R or L on cabinets with 1 door

Modification Limits	
	Not Available



84" H	K1	K2	K3	K4	K5
<b>12" D PANTRY CABINET - 1 DOOR</b>					
P1284X12	684	752	819	848	920
P1584X12	831	880	927	960	1041
P1884X12	909	971	1032	1070	1158
P2184X12	986	1061	1136	1178	1276
<b>12" D PANTRY CABINET - 2 DOOR</b>					
P2484X12DD	1197	1237	1277	1323	1433
P2784X12	1231	1306	1381	1431	1551
P3084X12	1309	1398	1486	1539	1668
P3384X12	1387	1489	1591	1649	1786
P3684X12	1466	1581	1695	1757	1902
<b>90" H</b>					
<b>12" D PANTRY CABINET - 1 DOOR</b>					
P1290X12	724	795	867	899	973
P1590X12	870	923	978	1012	1097
P1890X12	953	1022	1090	1130	1224
P2190X12	1038	1122	1204	1247	1352
<b>12" D PANTRY CABINET - 2 DOOR</b>					
P2490X12DD	1122	1237	1352	1400	1516
P2790X12	1295	1380	1464	1518	1644
P3090X12	1380	1479	1578	1636	1771
P3390X12	1463	1577	1691	1751	1896
P3690X12	1548	1676	1804	1869	2025
<b>93" H</b>					
<b>12" D PANTRY CABINET - 1 DOOR</b>					
P1293X12	746	819	894	926	1004
P1593X12	929	971	1012	1050	1136
P1893X12	1018	1074	1132	1172	1270
P2193X12	1107	1161	1215	1259	1364
<b>12" D PANTRY CABINET - 2 DOOR</b>					
P2493X12DD	1328	1345	1362	1411	1529
P2793X12	1375	1426	1476	1529	1656
P3093X12	1464	1528	1591	1649	1786
P3393X12	1554	1629	1702	1764	1911
P3693X12	1643	1761	1878	1945	2108
<b>96" H</b>					
<b>12" D PANTRY CABINET - 1 DOOR</b>					
P1296X12	746	819	894	926	1004
P1596X12	929	971	1012	1050	1136
P1896X12	1018	1074	1132	1172	1270
P2196X12	1107	1161	1215	1259	1364
<b>12" D PANTRY CABINET - 2 DOOR</b>					
P2496X12DD	1328	1345	1362	1411	1529
P2796X12	1375	1452	1529	1584	1716
P3096X12	1464	1528	1591	1649	1786
P3396X12	1554	1629	1702	1764	1911
P3696X12	1643	1761	1878	1945	2108

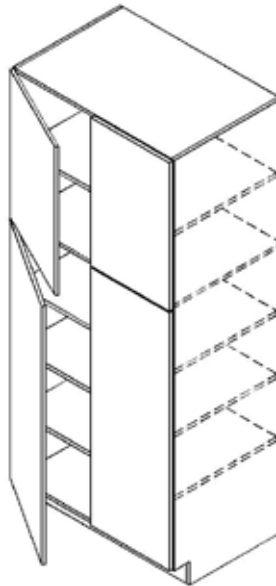
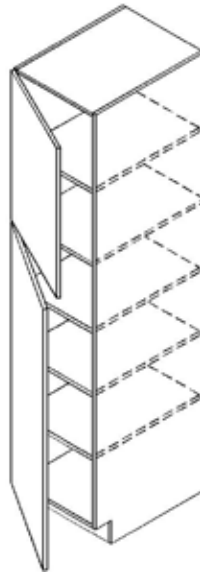
# Tall Cabinets

## 21" & 24" D Pantry Cabinet (P\_)

- One fixed shelf
- Four adjustable shelves
- 93" & 96" H have an extra adjustable shelf in upper section
- Over 90" H ships with loose Toekick
- Specify 21 or 24 to indicate cabinet depth
- Select hinge side L or R on cabinets with 1 door

### Modification Limits

Not Available



84" H	K1	K2	K3	K4	K5
<b>21" &amp; 24" D PANTRY CABINET - 1 DOOR</b>					
P1284X_	779	855	933	966	1047
P1584X_	985	1018	1051	1090	1181
P1884X_	1081	1125	1169	1211	1312
P2184X_	1185	1236	1286	1332	1443

21" & 24" D PANTRY CABINET - 2 DOOR					
P2484X_DD	1414	1426	1437	1489	1613
P2784X_	1467	1511	1554	1610	1744
P3084X_	1571	1621	1670	1731	1875
P3384X_	1669	1728	1786	1850	2004
P3684X_	1773	1837	1904	1971	2136

90" H	K1	K2	K3	K4	K5
<b>21" &amp; 24" D PANTRY CABINET - 1 DOOR</b>					
P1290X_	828	910	991	1027	1113
P1590X_	1037	1077	1117	1158	1254
P1890X_	1140	1192	1243	1287	1395
P2190X_	1253	1310	1369	1418	1536

21" & 24" D PANTRY CABINET - 2 DOOR					
P2490X_DD	1489	1509	1531	1585	1718
P2790X_	1551	1604	1656	1716	1859
P3090X_	1662	1724	1784	1849	2003
P3390X_	1767	1837	1908	1977	2141
P3690X_	1879	1957	2036	2110	2285

93" H	K1	K2	K3	K4	K5
<b>21" &amp; 24" D PANTRY CABINET - 1 DOOR</b>					
P1293X_	855	940	1025	1061	1151
P1593X_	1115	1136	1158	1200	1300
P1893X_	1227	1259	1289	1336	1447
P2193X_	1349	1367	1385	1436	1555

21" & 24" D PANTRY CABINET - 2 DOOR					
P2493X_DD	1472	1509	1547	1603	1735
P2793X_	1666	1670	1675	1734	1879
P3093X_	1790	1796	1801	1866	2022
P3393X_	1902	1915	1928	1997	2164
P3693X_	2025	2071	2115	2192	2375

96" H	K1	K2	K3	K4	K5
<b>21" &amp; 24" D PANTRY CABINET - 1 DOOR</b>					
P1296X_	855	940	1025	1061	1151
P1596X_	1115	1136	1158	1200	1300
P1896X_	1227	1259	1289	1336	1447
P2196X_	1349	1367	1385	1436	1555

21" & 24" D PANTRY CABINET - 2 DOOR					
P2496X_DD	1472	1509	1547	1603	1735
P2796X_	1666	1670	1675	1734	1879
P3096X_	1790	1796	1801	1866	2022
P3396X_	1902	1915	1928	1997	2164
P3696X_	2025	2071	2115	2192	2375

"\_" Select 21 or 24 cabinet depth

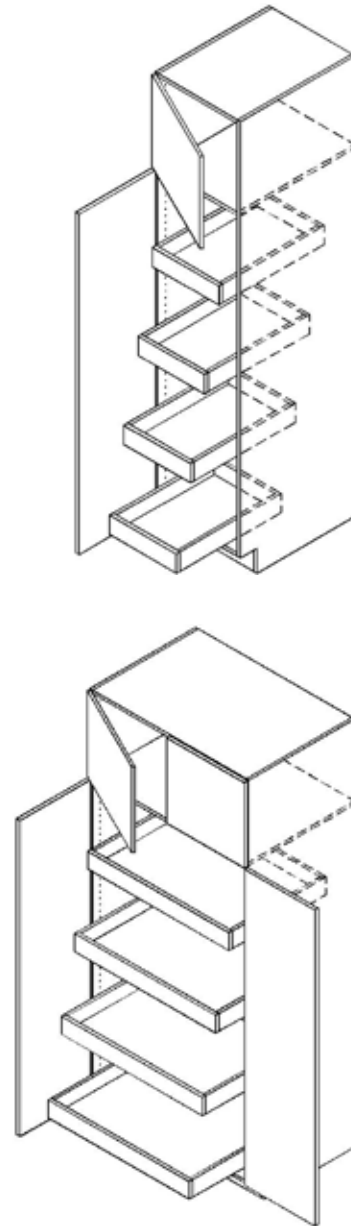
# Tall Cabinets

## 21" & 24" D Utility Roll-out (URO\_)

- Four roll-outs
- Bottom roll-out is floor-mounted
- One fixed shelf
- 93" & 96" H have one adjustable shelf in upper section
- Over 90" H ships with loose Toekick
- Select 21 or 24 to indicate cabinet depth
- Select hinge side L or R on cabinets with 1 door

### Modification Limits

Not Available



84" H	K1	K2	K3	K4	K5
<b>21" &amp; 24" D UTILITY ROLL-OUT – 1 DOOR</b>					
URO1284X_	1187	1305	1423	1473	1597
URO1584X_	1248	1400	1549	1606	1740
URO1884X_	1352	1513	1675	1734	1879
URO2184X_	1457	1627	1799	1863	2019

<b>21" &amp; 24" D UTILITY ROLL-OUT – 2 DOOR</b>					
URO2484X_DD	1587	1747	1907	1976	2140
URO2784X_	1755	1921	2085	2161	2341
URO3084X_	1859	2025	2190	2269	2458
URO3384X_	1964	2148	2334	2418	2619
URO3684X_	2069	2254	2439	2526	2737

90" H	K1	K2	K3	K4	K5
<b>21" &amp; 24" D UTILITY ROLL-OUT – 1 DOOR</b>					
URO1290X_	1223	1344	1464	1518	1644
URO1590X_	1299	1447	1594	1652	1790
URO1890X_	1413	1568	1724	1786	1935
URO2190X_	1525	1691	1855	1922	2082

<b>21" &amp; 24" D UTILITY ROLL-OUT – 2 DOOR</b>					
URO2490X_DD	1662	1816	1970	2042	2212
URO2790X_	1837	1997	2157	2235	2421
URO3090X_	1950	2108	2267	2349	2544
URO3390X_	2064	2241	2418	2504	2713
URO3690X_	2176	2352	2527	2618	2837

93" H	K1	K2	K3	K4	K5
<b>21" &amp; 24" D UTILITY ROLL-OUT – 1 DOOR</b>					
URO1293X_	1250	1374	1498	1551	1680
URO1593X_	1349	1492	1636	1693	1835
URO1893X_	1467	1619	1770	1833	1987
URO2193X_	1585	1747	1907	1976	2140

<b>21" &amp; 24" D UTILITY ROLL-OUT – 2 DOOR</b>					
URO2493X_DD	1728	1858	1986	2058	2229
URO2793X_	1911	2042	2173	2251	2438
URO3093X_	2032	2157	2282	2364	2562
URO3393X_	2150	2292	2435	2523	2733
URO3693X_	2268	2438	2608	2701	2926

96" H	K1	K2	K3	K4	K5
<b>21" &amp; 24" D UTILITY ROLL-OUT – 1 DOOR</b>					
URO1296X_	1250	1374	1498	1551	1680
URO1596X_	1349	1492	1636	1693	1835
URO1896X_	1467	1619	1770	1833	1987
URO2196X_	1585	1747	1907	1976	2140

<b>21" &amp; 24" D UTILITY ROLL-OUT – 2 DOOR</b>					
URO2496X_DD	1728	1858	1986	2058	2229
URO2796X_	1911	2042	2173	2251	2438
URO3096X_	2032	2157	2282	2364	2562
URO3396X_	2150	2292	2435	2523	2733
URO3696X_	2268	2438	2608	2701	2926

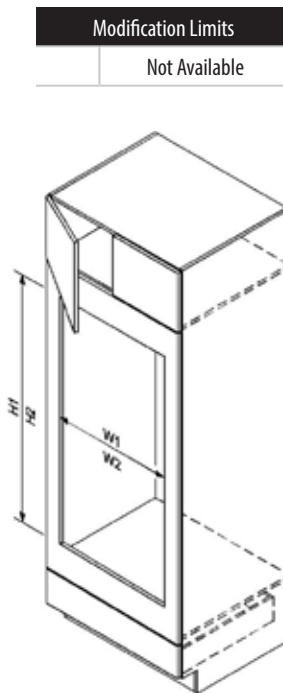
"\_" Select 21 or 24 cabinet depth



# Tall Cabinets

## Universal Oven - 1 Shallow Drawer, Short Upper (UOV\_1SS)

- No adjustable shelf in upper section
- Over 90" H ships with loose Toekick
- Removable oven panel attaches to face of cabinet and has same edge detail as door
- **Solid Wood, Mitered & M&T door styles:** Removable panel is stile and rail construction. Wide stiles and rails allow opening size to be enlarged in field. Removal of screws from back side of panel may be required before cutting.
- Standard opening for wood door styles will be minimum cutout dimensions (see size charts at left)
- Cutouts are centered vertically and horizontally
- **HPL, Thermofoil, TSS, and Wood Veneer door styles:** Removable panel is a one-piece, slab construction, with no opening and is shipped attached. Field cutout required.
- Oven shelves and cleats are tacked to interior cabinet end for field install.
- Custom factory cutouts are available, apply Custom Cutout Modification. See below for CC1 specs and pricing. Minimum and maximum cutout dimensions listed in chart at left.



Modification Limits	
	Not Available

84" H	K1	K2	K3	K4	K5
UOV3084-1SS	1254	1529	1804	1869	2025
UOV3384-1SS	1331	1627	1922	1992	2157
UOV3684-1SS	1718	1889	2059	2133	2311

90" H	K1	K2	K3	K4	K5
UOV3090-1SS	1323	1604	1885	1953	2115
UOV3390-1SS	1407	1708	2009	2082	2255
UOV3690-1SS	1829	2010	2192	2271	2460

93" H	K1	K2	K3	K4	K5
UOV3093-1SS	1423	1686	1951	2022	2190
UOV3393-1SS	1513	1797	2081	2156	2334
UOV3693-1SS	1896	2084	2272	2353	2550

96" H	K1	K2	K3	K4	K5
UOV3096-1SS	1423	1686	1951	2022	2190
UOV3396-1SS	1513	1797	2081	2156	2334
UOV3696-1SS	1896	2084	2272	2353	2550

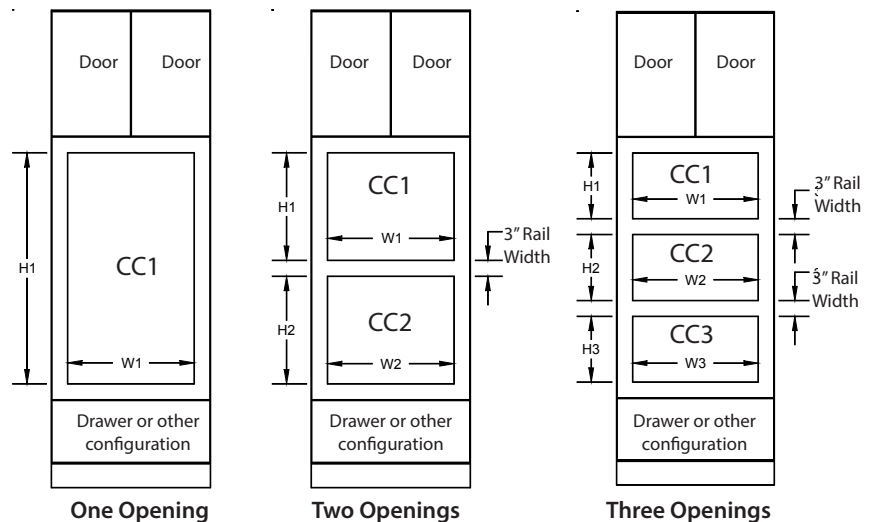
UOV_1SS		
Opening	Existing & Min. Cutout	Max. Cutout
W1 (width)	Cab. Width - 9"	Cab. Width - 3"
H1 (height)	42-7/16"	57-3/8"

## Universal Oven - Custom Factory Cutout Info and Pricing

- Customer is responsible for interpreting appliance manufacturer specifications and listing all required dimensions
- Cutouts are centered vertically and horizontally
- For Tall cabinets, oven support shelves with cleats are installed flush with bottom of each cutout
- Custom cutouts must fall within the min and max dimensions
- Minimum cutout width: 9" less than cabinet width
- Maximum cutout width: 3" less than cabinet width
- Minimum and maximum cutout height is determined by model
- 3" rail is installed between each cutout
- Sum of all cutouts, including 3" rail in between cutouts, must not exceed maximum cutout height specified by model type
- Side stiles, top, and bottom rails: 1.4375" at max cutout size
- Complete and submit a Custom Cutout Form along with your order. Custom Cutout Forms available in CC Business

K1 - K5	
CUSTOM CUTOUT - Price Per Cutout	
CC1	389
CC2	130
CC3	130

- CC1: One opening
  - Specify W1 and H1
- CC2: Two openings
  - W1 & H1 = upper opening
  - W2 & H2 = lower opening
- CC3: Three openings
  - W1 & H1 = upper opening
  - W2 & H2 = center opening
  - W3 & H3 = lower opening

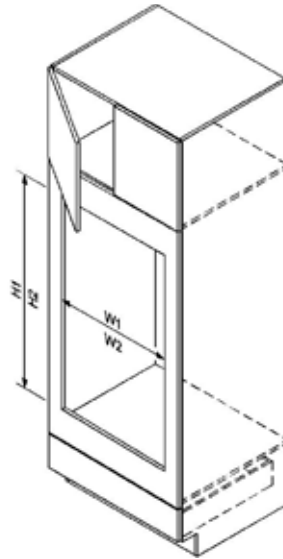


# Tall Cabinets

## Universal Oven - 1 Shallow Drawer (UOV\_1S)

Modification Limits	
	Not Available

- 93" & 96" H have an adjustable shelf in upper section
- Over 90" H ships with loose Toekick
- Removable oven panel attaches to face of cabinet and has same edge detail as door
- **Solid Wood, Mitered & M&T door styles:** Removable panel is stile and rail construction. Wide stiles and rails allow opening size to be enlarged in field. Removal of screws from back side of panel may be required before cutting.
- Standard opening for wood door styles will be minimum cutout dimensions (see size charts at left)
- Cutouts are centered vertically and horizontally
- **HPL, Thermofoil, TSS, and Wood Veneer door styles:** Removable panel is a one-piece, slab construction, with no opening and is shipped attached. Field cutout required.
- Oven shelves and cleats are tacked to interior cabinet end for field install.
- Custom factory cutouts are available, apply Custom Cutout Modification. See pg 71 for CC1 specs and pricing. Minimum and maximum cutout dimensions listed in chart at left.



84" H	K1	K2	K3	K4	K5
UOV3084-1S	1274	1397	1518	1572	1704
UOV3384-1S	1354	1483	1613	1670	1809
UOV3684-1S	1570	1666	1763	1826	1979

90" H	K1	K2	K3	K4	K5
UOV3090-1S	1365	1496	1626	1685	1826
UOV3390-1S	1453	1591	1729	1791	1941
UOV3690-1S	1809	1848	1886	1956	2118

93" H	K1	K2	K3	K4	K5
UOV3093-1S	1454	1593	1731	1793	1943
UOV3393-1S	1548	1696	1845	1911	2071
UOV3693-1S	1856	1934	2012	2084	2258

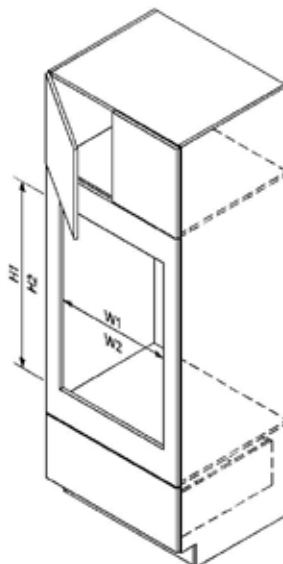
96" H	K1	K2	K3	K4	K5
UOV3096-1S	1454	1593	1731	1793	1943
UOV3396-1S	1548	1696	1845	1911	2071
UOV3696-1S	1856	1934	2012	2084	2258

UOV_1S		
Opening	Existing & Min. Cutout	Max. Cutout
W1 (width)	Cab. Width - 9"	Cab. Width - 3"
H1 (height)	36-3/8"	51-3/8"

## Universal Oven - 1 Deep Drawer (UOV\_1D)

Modification Limits	
	Not Available

- See notes above
- 93" & 96" H have an adjustable shelf in upper section



84" H	K1	K2	K3	K4	K5
UOV3084-1D	1289	1524	1760	1823	1974
UOV3384-1D	1368	1623	1876	1944	2105
UOV3684-1D	1679	1845	2012	2084	2258

90" H	K1	K2	K3	K4	K5
UOV3090-1D	1380	1610	1840	1907	2066
UOV3390-1D	1467	1715	1963	2033	2203
UOV3690-1D	1839	2020	2203	2282	2472

93" H	K1	K2	K3	K4	K5
UOV3093-1D	1469	1688	1907	1976	2128
UOV3393-1D	1562	1799	2035	2108	2282
UOV3693-1D	1813	1993	2173	2251	2438

96" H	K1	K2	K3	K4	K5
UOV3096-1D	1469	1688	1907	1976	2140
UOV3396-1D	1562	1799	2035	2108	2282
UOV3696-1D	1813	1993	2173	2251	2438

UOV_1S		
Opening	Existing & Min. Cutout	Max. Cutout
W1 (width)	Cab. Width - 9"	Cab. Width - 3"
H1 (height)	31-9/16"	46-9/16"

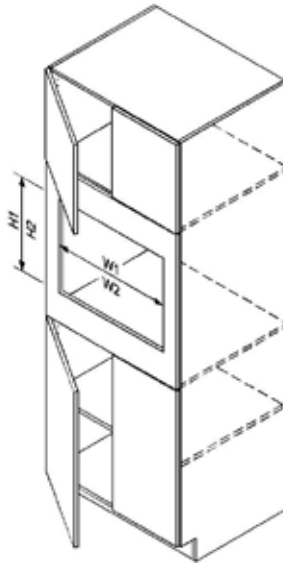
# Tall Cabinets

## Universal Oven - Full Base (UOV\_FB)

### Modification Limits

Not Available

- 93" & 96" H have an adjustable shelf in upper section
- Over 90" H ships with loose Toekick
- Removable oven panel attaches to face of cabinet and has same edge detail as door
- **Solid Wood, Mitered & M&T door styles:** Removable panel is stile and rail construction. Wide stiles and rails allow opening size to be enlarged in field. Removal of screws from back side of panel may be required before cutting.
- Standard opening for wood door styles will be minimum cutout dimensions (see size charts at left)
- Cutouts are centered vertically and horizontally
- **HPL, Thermofoil, TSS, and Wood Veneer door styles:** Removable panel is a one-piece, slab construction, with no opening and is shipped attached. Field cutout required.
- Oven shelves and cleats are tacked to interior cabinet end for field install.
- Custom factory cutouts are available, apply Custom Cutout Modification. See pg 71 for **CC1** specs and pricing. Minimum and maximum cutout dimensions listed in chart at left.



84" H	K1	K2	K3	K4	K5
UOV3084-FB	1208	1424	1639	1698	1839
UOV3384-FB	1295	1522	1751	1813	1964
UOV3684-FB	1564	1719	1875	1943	2104

90" H	K1	K2	K3	K4	K5
UOV3090-FB	1299	1509	1718	1780	1928
UOV3390-FB	1394	1616	1837	1904	2062
UOV3690-FB	1699	1868	2036	2110	2285

93" H	K1	K2	K3	K4	K5
UOV3093-FB	1388	1587	1784	1849	2003
UOV3393-FB	1489	1699	1908	1977	2141
UOV3693-FB	1718	1889	2059	2133	2311

96" H	K1	K2	K3	K4	K5
UOV3096-FB	1388	1587	1784	1849	2003
UOV3396-FB	1489	1699	1908	1977	2141
UOV3696-FB	1718	1889	2059	2133	2311

### UOV\_15

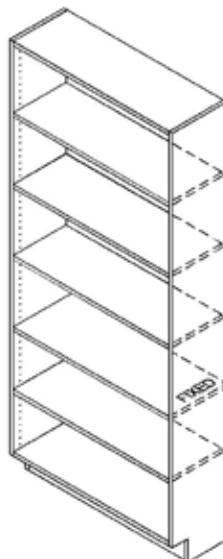
Opening	Existing & Min. Cutout	Max. Cutout
W1 (width)	Cab. Width - 9"	Cab. Width - 3"
H1 (height)	13-5/8"	28-5/8"

## 12" D Tall Bookcase (TBC\_)

### Modification Limits

RD 9" min.

- 3/4" thick construction
- Interior is finished (FMI)
- Over 90" H ships with loose Toekick
- Adjustable shelves:  
84" H: 4  
90" - 96" H: 5



84" H	K1 - K5
TBC1884	1227
TBC2484	1620
TBC3084	2013

90" H	K1 - K5
TBC1890	1310
TBC2490	1732
TBC3090	2156

93" H	K1 - K5
TBC1893	1395
TBC2493	1845
TBC3093	2295

96" H	K1 - K5
TBC1896	1395
TBC2496	1845
TBC3096	2295

# Accessories - Mouldings

## Wood Species

- Unless otherwise specified in item description, finished wood accessories are available in Maple, Cherry, Alder and Red Oak
- Finished wood accessories will match cabinet door

## Alder Notes:

- Alder is available on 3/4" thick material over 96" except for moulding
- Mouldings and wood accessories will be clear for Rustic Alder orders

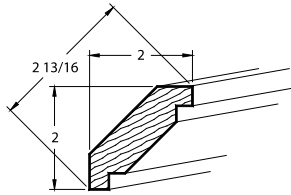
## Usable Moulding Lengths

- Mouldings are pre-trimmed by supplier prior to shipment to our facility
- Before product is finished, changes in temperature and humidity may cause ends of wood to crack or split
- We incorporate packaging and handling measures to reduce this natural occurrence but cannot guarantee against it altogether
- Guaranteed continuous, usable moulding: 84" when 96" is ordered | 108" when 120" is ordered
- Please take this into consideration when designing and placing orders

## Embossed Materials

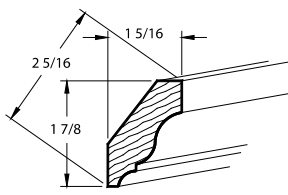
- Some mouldings are created by using a process called "embossing" in which the pattern or detail is pressed into the wood at high temperature
- Burn marks and darkened areas in the wood are inherent results of embossing, and are not to be considered defects in the product

### Crown AC



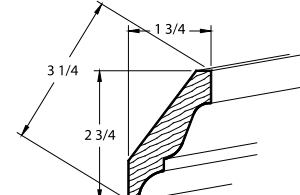
LENGTHS: 96", 120"	MSRP
CRWN-ACX96	164
CRWN-ACX120	219

### Crown 2



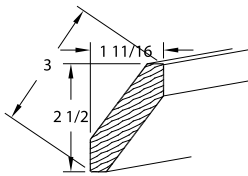
LENGTHS: 96", 120"	MSRP
CRWN2X96	102
CRWN2X120	140

### Crown 3



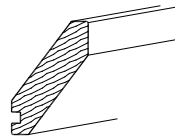
LENGTHS: 96", 120"	MSRP
CRWN3X96	144
CRWN3X120	192

### Crown 3S



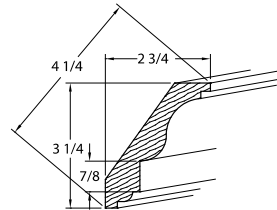
LENGTHS: 96", 120"	MSRP
CRWN3SX96	164
CRWN3SX120	219

Prepped for Mounting Plate



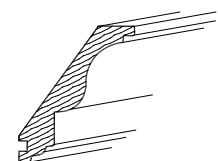
LENGTHS: 96", 120"	MSRP
CRWN3SX96MP	184
CRWN3SX120MP	245

### Crown 4



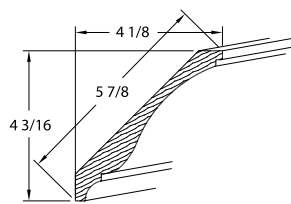
LENGTHS: 96", 120"	MSRP
CRWN4X96	288
CRWN4X120	396

Prepped for Mounting Plate



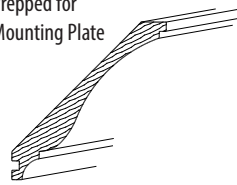
LENGTHS: 96", 120"	MSRP
CRWN4X96MP	310
CRWN4X120MP	422

### Crown 6



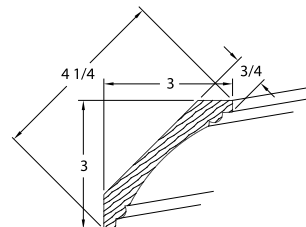
LENGTHS: 96", 120"	MSRP
CRWN6X96	361
CRWN6X120	495

Prepped for Mounting Plate



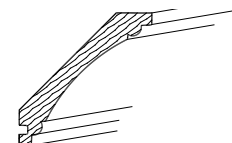
LENGTHS: 96", 120"	MSRP
CRWN6X96MP	382
CRWN6X120MP	521

### Crown CB4



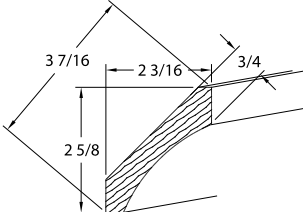
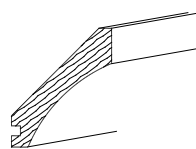
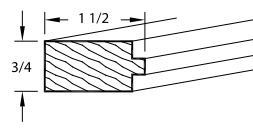
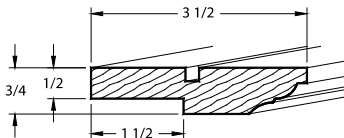
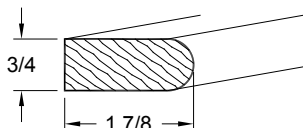
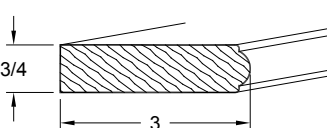
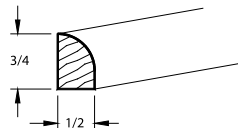
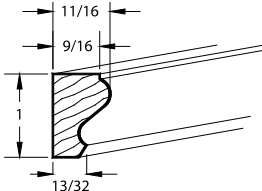
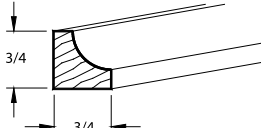
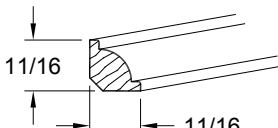
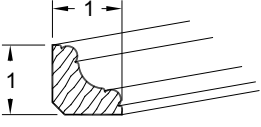
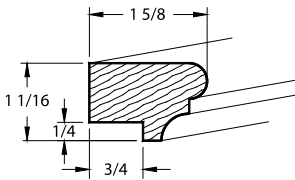
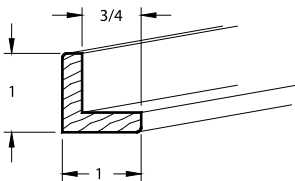
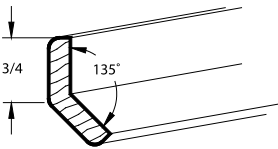
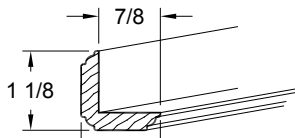
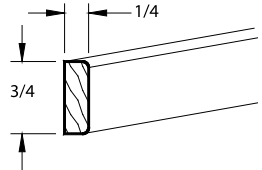
LENGTHS: 96", 120"	MSRP
CRWN-CB4X96	271
CRWN-CB4X120	379

Prepped for Mounting Plate

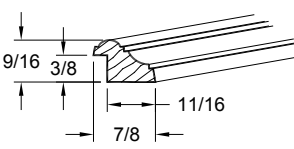
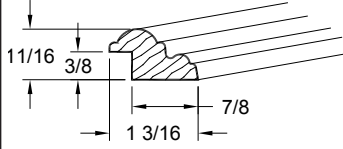
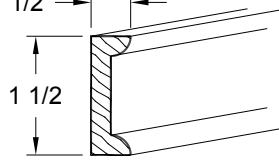
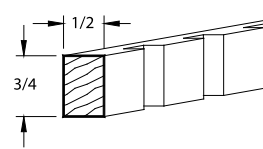
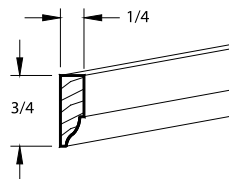
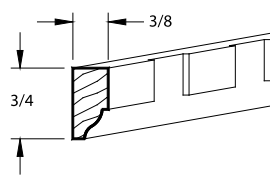
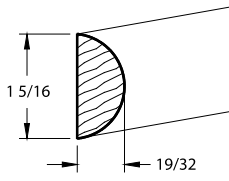
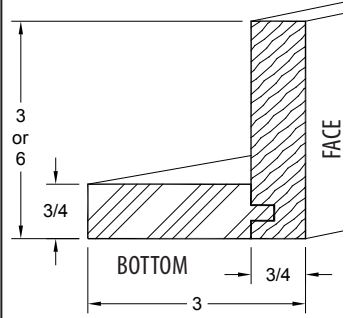
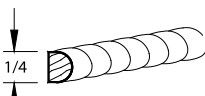
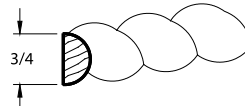
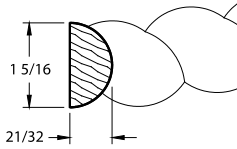
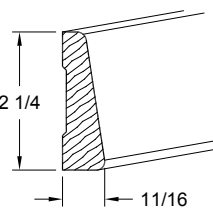
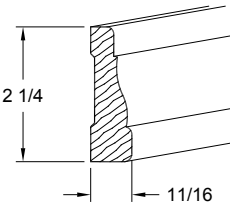
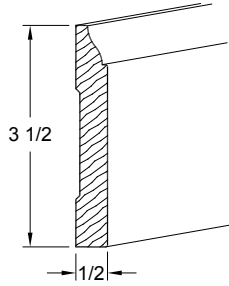
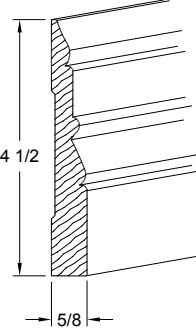


LENGTHS: 96", 120"	MSRP
CRWN-CB4X96MP	292
CRWN-CB4X120MP	399

# Accessories - Mouldings

<p><b>Crown CV3</b></p>  <p>Prepped for Mounting Plate</p>  <table border="1"> <thead> <tr> <th>LENGTHS: 96", 120"</th> <th>MSRP</th> </tr> </thead> <tbody> <tr> <td>CRWN-CV3X96</td> <td>173</td> </tr> <tr> <td>CRWN-CV3X120</td> <td>230</td> </tr> </tbody> </table> <table border="1"> <thead> <tr> <th>LENGTHS: 96", 120"</th> <th>MSRP</th> </tr> </thead> <tbody> <tr> <td>CRWN-CV3X96MP</td> <td>193</td> </tr> <tr> <td>CRWN-CV3X120MP</td> <td>251</td> </tr> </tbody> </table>	LENGTHS: 96", 120"	MSRP	CRWN-CV3X96	173	CRWN-CV3X120	230	LENGTHS: 96", 120"	MSRP	CRWN-CV3X96MP	193	CRWN-CV3X120MP	251	<p><b>Mounting Plate</b></p>  <table border="1"> <thead> <tr> <th>LENGTHS: 96", 120"</th> <th>MSRP</th> </tr> </thead> <tbody> <tr> <td>MP96</td> <td>118</td> </tr> <tr> <td>MP120</td> <td>161</td> </tr> </tbody> </table>	LENGTHS: 96", 120"	MSRP	MP96	118	MP120	161	<p><b>Plate Rail</b></p>  <table border="1"> <thead> <tr> <th>LENGTH: 96"</th> <th>MSRP</th> </tr> </thead> <tbody> <tr> <td>PR96</td> <td>190</td> </tr> </tbody> </table>	LENGTH: 96"	MSRP	PR96	190	
LENGTHS: 96", 120"	MSRP																								
CRWN-CV3X96	173																								
CRWN-CV3X120	230																								
LENGTHS: 96", 120"	MSRP																								
CRWN-CV3X96MP	193																								
CRWN-CV3X120MP	251																								
LENGTHS: 96", 120"	MSRP																								
MP96	118																								
MP120	161																								
LENGTH: 96"	MSRP																								
PR96	190																								
<p><b>Bull Nose</b></p>  <table border="1"> <thead> <tr> <th>LENGTHS: 96", 120"</th> <th>MSRP</th> </tr> </thead> <tbody> <tr> <td>BN96</td> <td>102</td> </tr> <tr> <td>BN120</td> <td>114</td> </tr> </tbody> </table>	LENGTHS: 96", 120"	MSRP	BN96	102	BN120	114	<p><b>Beaded Bull Nose</b></p>  <table border="1"> <thead> <tr> <th>LENGTHS: 96", 120"</th> <th>MSRP</th> </tr> </thead> <tbody> <tr> <td>BNB3X96</td> <td>153</td> </tr> <tr> <td>BNB3X120</td> <td>189</td> </tr> </tbody> </table>	LENGTHS: 96", 120"	MSRP	BNB3X96	153	BNB3X120	189	<p><b>Base Shoe</b></p>  <table border="1"> <thead> <tr> <th>LENGTHS: 96", 120"</th> <th>MSRP</th> </tr> </thead> <tbody> <tr> <td>BSHM96</td> <td>63</td> </tr> <tr> <td>BSHM120</td> <td>85</td> </tr> </tbody> </table>	LENGTHS: 96", 120"	MSRP	BSHM96	63	BSHM120	85	<p><b>Cap</b></p>  <table border="1"> <thead> <tr> <th>LENGTH: 96"</th> <th>MSRP</th> </tr> </thead> <tbody> <tr> <td>CAPM96</td> <td>114</td> </tr> </tbody> </table>	LENGTH: 96"	MSRP	CAPM96	114
LENGTHS: 96", 120"	MSRP																								
BN96	102																								
BN120	114																								
LENGTHS: 96", 120"	MSRP																								
BNB3X96	153																								
BNB3X120	189																								
LENGTHS: 96", 120"	MSRP																								
BSHM96	63																								
BSHM120	85																								
LENGTH: 96"	MSRP																								
CAPM96	114																								
<p><b>Inside Corner</b></p>  <table border="1"> <thead> <tr> <th>LENGTH: 96"</th> <th>MSRP</th> </tr> </thead> <tbody> <tr> <td>ICM96</td> <td>63</td> </tr> </tbody> </table>	LENGTH: 96"	MSRP	ICM96	63	<p><b>Inside Corner Ogee</b></p>  <table border="1"> <thead> <tr> <th>LENGTH: 96"</th> <th>MSRP</th> </tr> </thead> <tbody> <tr> <td>ICM96-OG</td> <td>170</td> </tr> </tbody> </table>	LENGTH: 96"	MSRP	ICM96-OG	170	<p><b>Inside Corner Ogee 2</b></p>  <table border="1"> <thead> <tr> <th>LENGTH: 96"</th> <th>MSRP</th> </tr> </thead> <tbody> <tr> <td>ICM96-OG2</td> <td>170</td> </tr> </tbody> </table>	LENGTH: 96"	MSRP	ICM96-OG2	170	<p><b>Cornice</b></p>  <table border="1"> <thead> <tr> <th>LENGTH: 96"</th> <th>MSRP</th> </tr> </thead> <tbody> <tr> <td>COR96</td> <td>140</td> </tr> </tbody> </table>	LENGTH: 96"	MSRP	COR96	140						
LENGTH: 96"	MSRP																								
ICM96	63																								
LENGTH: 96"	MSRP																								
ICM96-OG	170																								
LENGTH: 96"	MSRP																								
ICM96-OG2	170																								
LENGTH: 96"	MSRP																								
COR96	140																								
<p><b>Outside Corner</b></p>  <table border="1"> <thead> <tr> <th>LENGTH: 96"</th> <th>MSRP</th> </tr> </thead> <tbody> <tr> <td>OCM96</td> <td>63</td> </tr> </tbody> </table>	LENGTH: 96"	MSRP	OCM96	63	<p><b>Outside Corner 135°</b></p>  <table border="1"> <thead> <tr> <th>LENGTH: 96"</th> <th>MSRP</th> </tr> </thead> <tbody> <tr> <td>OC135M96</td> <td>153</td> </tr> </tbody> </table>	LENGTH: 96"	MSRP	OC135M96	153	<p><b>Outside Corner Ogee</b></p>  <table border="1"> <thead> <tr> <th>LENGTH: 96"</th> <th>MSRP</th> </tr> </thead> <tbody> <tr> <td>OCM96-OG</td> <td>153</td> </tr> </tbody> </table>	LENGTH: 96"	MSRP	OCM96-OG	153	<p><b>Scribe</b></p>  <table border="1"> <thead> <tr> <th>LENGTH: 96"</th> <th>MSRP</th> </tr> </thead> <tbody> <tr> <td>MS96</td> <td>45</td> </tr> </tbody> </table> <p>Note: TSS available</p>	LENGTH: 96"	MSRP	MS96	45						
LENGTH: 96"	MSRP																								
OCM96	63																								
LENGTH: 96"	MSRP																								
OC135M96	153																								
LENGTH: 96"	MSRP																								
OCM96-OG	153																								
LENGTH: 96"	MSRP																								
MS96	45																								

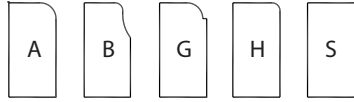
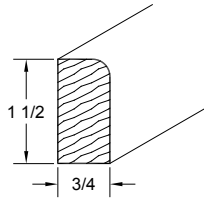
# Accessories - Mouldings

<p><b>Panel 1</b></p>  <table border="1"> <thead> <tr> <th>LENGTHS: 96", 120"</th> <th>MSRP</th> </tr> </thead> <tbody> <tr> <td>PNLMLD1-96</td> <td>114</td> </tr> <tr> <td>PNLMLD1-120</td> <td>145</td> </tr> </tbody> </table>	LENGTHS: 96", 120"	MSRP	PNLMLD1-96	114	PNLMLD1-120	145	<p><b>Panel 2</b></p>  <table border="1"> <thead> <tr> <th>LENGTHS: 96", 120"</th> <th>MSRP</th> </tr> </thead> <tbody> <tr> <td>PNLMLD2-96</td> <td>114</td> </tr> <tr> <td>PNLMLD2-120</td> <td>145</td> </tr> </tbody> </table>	LENGTHS: 96", 120"	MSRP	PNLMLD2-96	114	PNLMLD2-120	145	<p><b>Panel 3</b></p>  <table border="1"> <thead> <tr> <th>LENGTHS: 96", 120"</th> <th>MSRP</th> </tr> </thead> <tbody> <tr> <td>PNLMLD3-96</td> <td>104</td> </tr> <tr> <td>PNLMLD3-120</td> <td>128</td> </tr> </tbody> </table>	LENGTHS: 96", 120"	MSRP	PNLMLD3-96	104	PNLMLD3-120	128	<p><b>Dentil</b></p>  <table border="1"> <thead> <tr> <th>LENGTH: 96"</th> <th>MSRP</th> </tr> </thead> <tbody> <tr> <td>DM96</td> <td>138</td> </tr> </tbody> </table>	LENGTH: 96"	MSRP	DM96	138				
LENGTHS: 96", 120"	MSRP																												
PNLMLD1-96	114																												
PNLMLD1-120	145																												
LENGTHS: 96", 120"	MSRP																												
PNLMLD2-96	114																												
PNLMLD2-120	145																												
LENGTHS: 96", 120"	MSRP																												
PNLMLD3-96	104																												
PNLMLD3-120	128																												
LENGTH: 96"	MSRP																												
DM96	138																												
<p><b>Ogee</b></p>  <table border="1"> <thead> <tr> <th>LENGTH: 96"</th> <th>MSRP</th> </tr> </thead> <tbody> <tr> <td>OGM96</td> <td>50</td> </tr> </tbody> </table>	LENGTH: 96"	MSRP	OGM96	50	<p><b>Ogee Dentil</b></p>  <table border="1"> <thead> <tr> <th>LENGTH: 96"</th> <th>MSRP</th> </tr> </thead> <tbody> <tr> <td>OGDM96</td> <td>145</td> </tr> </tbody> </table>	LENGTH: 96"	MSRP	OGDM96	145	<p><b>Half-Round</b></p> <ul style="list-style-type: none"> <li>• Machine carved</li> <li>• <b>Not available:</b> Alder</li> </ul>  <table border="1"> <thead> <tr> <th>LENGTH: 96"</th> <th>MSRP</th> </tr> </thead> <tbody> <tr> <td>HRM96</td> <td>167</td> </tr> </tbody> </table>	LENGTH: 96"	MSRP	HRM96	167	<p><b>Moulding Riser</b></p>  <ul style="list-style-type: none"> <li>• Finished face and bottom</li> <li>• Bottom is always plywood</li> <li>• Face is solid wood or plywood <ul style="list-style-type: none"> <li>– <b>Solid wood</b> face choices: Alder, Cherry, Maple, Red Oak and Rift White Oak</li> <li>– <b>Plywood</b> face only allowed with: HG-HPL or TSS material</li> <li>– Back will match cabinet interior</li> </ul> </li> </ul> <table border="1"> <thead> <tr> <th>FACE</th> <th>LENGTH: 96"</th> <th>MSRP</th> </tr> </thead> <tbody> <tr> <td>Solid Wood</td> <td>MR396</td> <td>363</td> </tr> <tr> <td>Wood</td> <td>MR696</td> <td>515</td> </tr> <tr> <td rowspan="2">Plywood</td> <td>MR396-PLY</td> <td>305</td> </tr> <tr> <td>MR696-PLY</td> <td>390</td> </tr> </tbody> </table>	FACE	LENGTH: 96"	MSRP	Solid Wood	MR396	363	Wood	MR696	515	Plywood	MR396-PLY	305	MR696-PLY	390
LENGTH: 96"	MSRP																												
OGM96	50																												
LENGTH: 96"	MSRP																												
OGDM96	145																												
LENGTH: 96"	MSRP																												
HRM96	167																												
FACE	LENGTH: 96"	MSRP																											
Solid Wood	MR396	363																											
Wood	MR696	515																											
Plywood	MR396-PLY	305																											
	MR696-PLY	390																											
<p><b>Rope - Small</b></p> <ul style="list-style-type: none"> <li>• Embossed whitewood</li> <li>• Random lengths only</li> <li>• Specify total linear feet needed (EX: RMS 8 feet)</li> </ul>  <table border="1"> <thead> <tr> <th>RMS</th> <th>MSRP</th> <th>PER LF</th> </tr> </thead> <tbody> <tr> <td>23</td> <td></td> <td></td> </tr> </tbody> </table>	RMS	MSRP	PER LF	23			<p><b>Rope</b></p> <ul style="list-style-type: none"> <li>• Machine carved</li> <li>• <b>Not available:</b> Alder</li> </ul>  <table border="1"> <thead> <tr> <th>LENGTH: 96"</th> <th>MSRP</th> </tr> </thead> <tbody> <tr> <td>RM96</td> <td>156</td> </tr> </tbody> </table>	LENGTH: 96"	MSRP	RM96	156	<p><b>Rope - Large</b></p> <ul style="list-style-type: none"> <li>• Machine carved</li> <li>• <b>Not available:</b> Alder</li> </ul>  <table border="1"> <thead> <tr> <th>LENGTH: 96"</th> <th>MSRP</th> </tr> </thead> <tbody> <tr> <td>RML96</td> <td>314</td> </tr> </tbody> </table>	LENGTH: 96"	MSRP	RML96	314													
RMS	MSRP	PER LF																											
23																													
LENGTH: 96"	MSRP																												
RM96	156																												
LENGTH: 96"	MSRP																												
RML96	314																												
<p><b>Casing Base - A</b></p>  <table border="1"> <thead> <tr> <th>LENGTHS: 96", 120"</th> <th>MSRP</th> </tr> </thead> <tbody> <tr> <td>CB-A96</td> <td>167</td> </tr> <tr> <td>CB-A120</td> <td>225</td> </tr> </tbody> </table>	LENGTHS: 96", 120"	MSRP	CB-A96	167	CB-A120	225	<p><b>Casing Base - B</b></p>  <table border="1"> <thead> <tr> <th>LENGTHS: 96", 120"</th> <th>MSRP</th> </tr> </thead> <tbody> <tr> <td>CB-B96</td> <td>167</td> </tr> <tr> <td>CB-B120</td> <td>225</td> </tr> </tbody> </table>	LENGTHS: 96", 120"	MSRP	CB-B96	167	CB-B120	225	<p><b>Casing Base - C</b></p>  <table border="1"> <thead> <tr> <th>LENGTHS: 96", 120"</th> <th>MSRP</th> </tr> </thead> <tbody> <tr> <td>CB-C96</td> <td>209</td> </tr> <tr> <td>CB-C120</td> <td>287</td> </tr> </tbody> </table>	LENGTHS: 96", 120"	MSRP	CB-C96	209	CB-C120	287	<p><b>Casing Base - D</b></p>  <table border="1"> <thead> <tr> <th>LENGTHS: 96", 120"</th> <th>MSRP</th> </tr> </thead> <tbody> <tr> <td>CB-D96</td> <td>243</td> </tr> <tr> <td>CB-D120</td> <td>328</td> </tr> </tbody> </table>	LENGTHS: 96", 120"	MSRP	CB-D96	243	CB-D120	328		
LENGTHS: 96", 120"	MSRP																												
CB-A96	167																												
CB-A120	225																												
LENGTHS: 96", 120"	MSRP																												
CB-B96	167																												
CB-B120	225																												
LENGTHS: 96", 120"	MSRP																												
CB-C96	209																												
CB-C120	287																												
LENGTHS: 96", 120"	MSRP																												
CB-D96	243																												
CB-D120	328																												

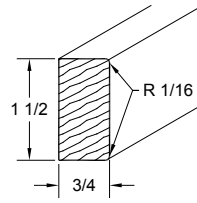
# Accessories - Self Edge & Backsplash

## Self-Edge (1-1/2" Tall)

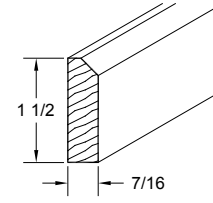
- Finished one face and two long edges
- Edge detail applied to one edge
- Add edge detail to nomenclature when ordering (EX: SE96A)



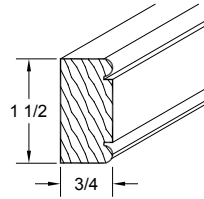
LENGTHS: 96", 120"	MSRP
SE96__	104
SE120__	144



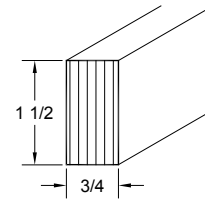
LENGTHS: 96", 120"	MSRP
SE96	68
SE120	92



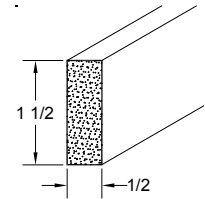
LENGTHS: 96", 120"	MSRP
SE96C	68
SE120C	92



LENGTHS: 96", 120"	MSRP
SE96DB	137
SE120DB	173



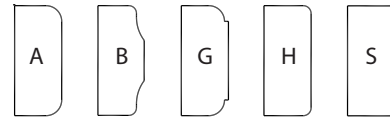
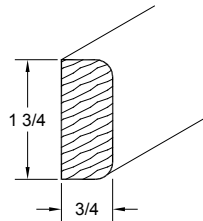
LENGTH: 96"	MSRP
SE96PLY	23
Plycore, not finished	



LENGTH: 96"	MSRP
SE96PB	17
Particleboard, not finished	

## Self-Edge (1-3/4" Tall)

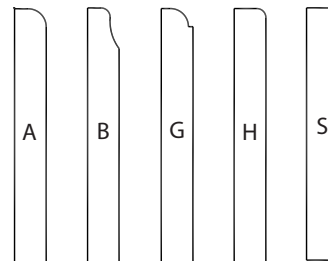
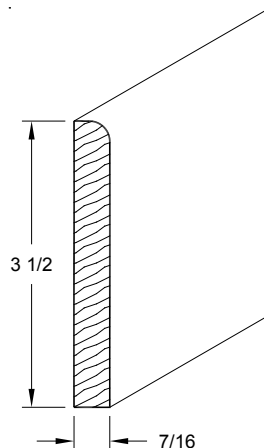
- Finished one face and two long edges
- Edge detail applied to two edges
- Add edge detail to nomenclature when ordering (EX: SE96A2)



LENGTHS: 96", 120"	MSRP
SE96__2	137
SE120__2	173

## Backsplash (3-1/2" Tall)

- Finished one face and detailed edge
- Edge detail applied to one edge
- Add edge detail to nomenclature when ordering (EX: BSP96H)

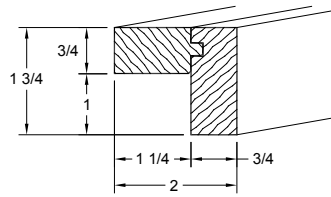


LENGTHS: 96", 120"	MSRP
BSP96__	107
BSP120__	144

# Accessories - Light Valances & Arched Valances

## Light Valance (1-3/4" H)

- Prepped for and includes loose mounting plate (MP)
- Specify edge detail when ordering (EX: LV1.75X96G2)

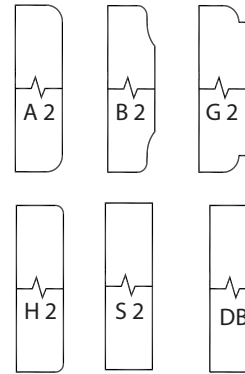


Shown with MP assembled

LENGTHS: 96", 120"	MSRP
LV1.75X96__	291
LV1.75X120__	399

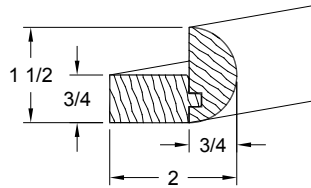
## Light Valance Edge Details

- Only available for 1-3/4" & 2-1/2" H



## Light Valance (1-1/2" H)

- Bull nose edge detail only
- Shipped assembled



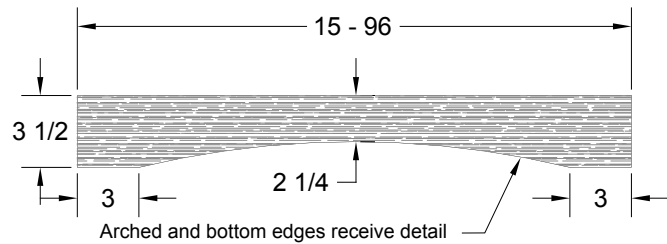
LENGTHS: 96", 120"	MSRP
LV1.5X96BN	403
LV1.5X120BN	490

## Arched Valances

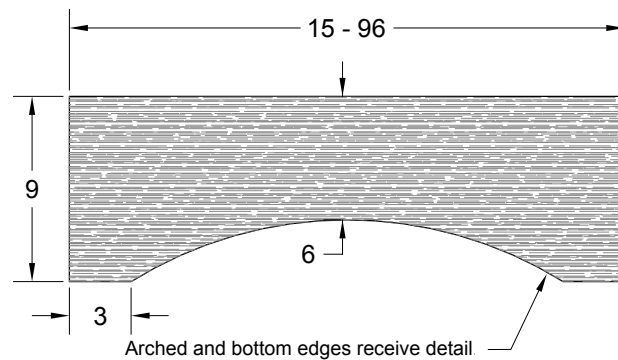
- Lengths: from 15" min. to 96" max.
- Edge-glued solid wood
- Finished two faces and arched edge
- Edge detail applied to arched and bottom edges
- Radius of arc depends on length of valance (36" shown)



### Arch Valance - AVAL



### Country Valance - CVAL



### HOW TO ORDER

Valance +	Length (1" increments)	Edge Detail
AVAL	36	B

	MSRP (per lineal inch)	Minimum MSRP	Maximum MSRP
AVAL	4	121	346
CVAL	6	173	484



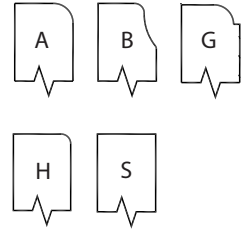
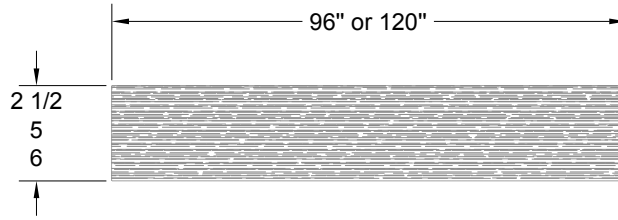
# Accessories - Straight & Arched Toekick Valance

## Straight Valance

- Finished two faces and two long edges
- Edge detail applied to one edge
- Add edge detail to nomenclature when ordering (EX: SVAL5X96A)

### TSS & HG-HPL:

- "S" Edge only
- Veneered one face & edge banded four edges
- PBD substrate



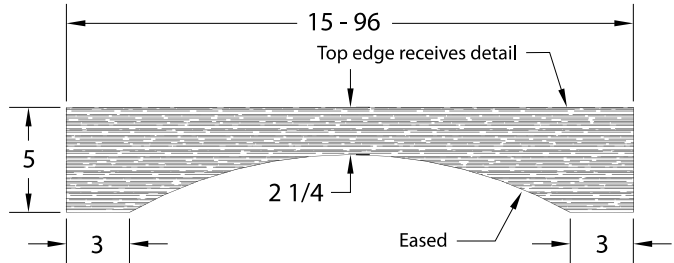
2.5" Tall	LENGTHS: 96", 120"	MSRP
	SVAL2.5X96__	251
	SVAL2.5X120__	337

5" Tall	LENGTHS: 96", 120"	MSRP
	SVAL5X96__	346
	SVAL5X120__	588

6" Tall	LENGTHS: 96", 120"	MSRP
	SVAL6X96__	354
	SVAL6X120__	596

## Arched Toekick Valance

- Lengths: from 15" min. to 96" max.
- 3/4" edge-glued solid wood
- Edge detail applied to top edge
- Finished one face and two long edges
- Radius of arc depends on valance length (36" shown)
- Loose only
- **Not available:** TSS & HG-HPL



### HOW TO ORDER

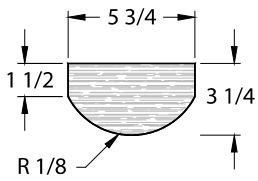
Valance +	Length (1" increments)	Edge Detail
TKVAL	36	B

	MSRP (per lineal inch)	Minimum MSRP	Maximum MSRP
TKVAL	6	147	415

# Accessories - French Toekick Valances, Brackets & Feet

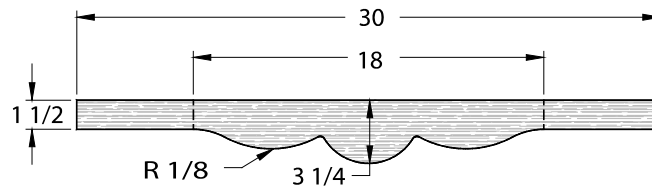
## French Toekick Valances

- 3/4" edge-glued solid wood
- Finished one face and two long edges
- Loose only



Toekick Insert Radius

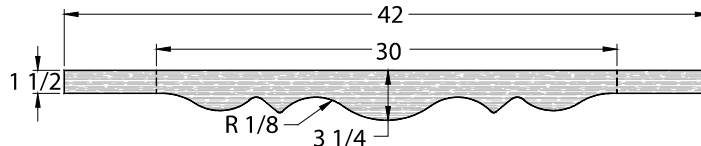
	MSRP
TKI-RAD	121



French Short

	MSRP
TKV-FS	242

Trim from 18" to 30"



French Long

	MSRP
TKV-FL	311

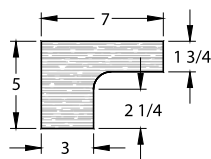
Trim from 30" to 42"

## Toekick Brackets

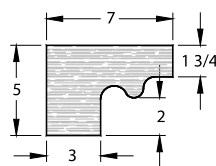
- 3/4" thick edge-glued solid wood
- Finished all sides
- Top and detailed edges have eased edge
- May be trimmed to fit application
- Loose only

- Brackets come in pairs (one left and one right)

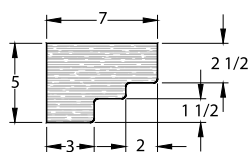
Contemporary



Colonial



Southwest



Contemporary	MSRP
TKB-CONT	199

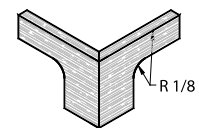
Colonial	MSRP
TKB-COL	199

Southwest	MSRP
TKB-SW	199

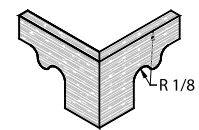
## Toekick Corner Brackets

- See Toekick Bracket notes at left
- Corner brackets come assembled
- Each corner bracket covers one corner
- 5" H x 7" W x 7" D

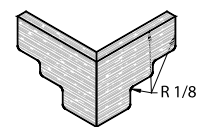
Contemporary



Colonial



Southwest



Contemporary	MSRP
TKCB-CONT	285

Colonial	MSRP
TKCB-COL	285

Southwest	MSRP
TKCB-SW	285

## Feet

- Feet include dowel screw that is threaded for wood
- When used to support cabinet, additional blocking is required
- Height may be trimmed from most feet
- Ordered individually
- Loose only
- **Not available:** Alder

Bun  
SM or LG



SM: 2-1/4" H x 3-1/2" dia.  
LG: 3" H x 5" dia.

	MSRP
FOOT-SBUN	144
FOOT-LBUN	189

Colonial



5" H x 3-1/2" dia.

	MSRP
FOOT-COL	215

Early American



5" H x 4" dia.

	MSRP
FOOT-EA	223

Dowel Screw Pack

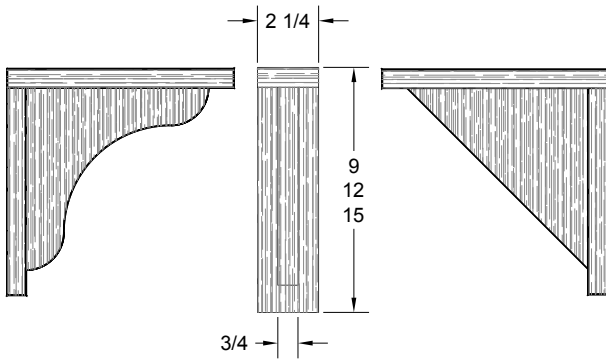


Includes four  
5/16" x 2-1/2"  
dowel screws

	MSRP
DSP	35

# Accessories - Brackets, Legs & Plinth Blocks

## Brackets



Scalloped Bracket

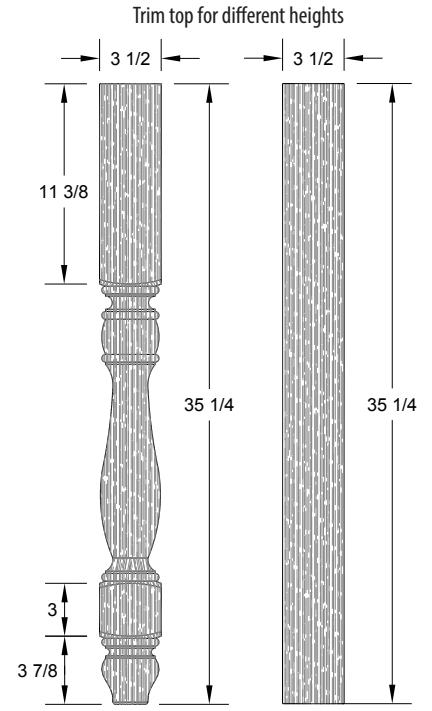
Straight Bracket

	MSRP
BRACK9-S	216
BRACK12-S	256
BRACK15-S	320

	MSRP
BRACK9	132
BRACK12	173

## Legs

- LEG-LT
- LEG35SQ - Edge-glued solid wood with eased edges



LEG-LT

LEG35SQ

	MSRP
LEG-LT	958
LEG35SQ	590

## Leg Attachment Brackets

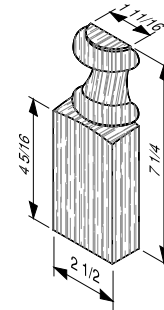
- Includes four 2-7/8" x 4-5/8" corner brackets with hanger bolts, nuts and washers
- Legs and apron pieces require field modification
- Follow directions provided for preparation and assembly



	MSRP
LAB	86

## Half Spool & Base

- 1-1/8" thick
- **Not available:** Alder

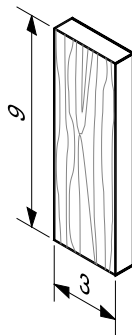
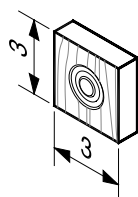
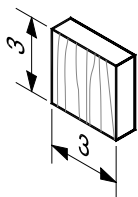


	MSRP
HSB	144

## Plinth Blocks

- Blocks are 7/8" thick
- 1/8" eased front edge on all four sides
- Shipped loose

- Drawings provided for application ideas

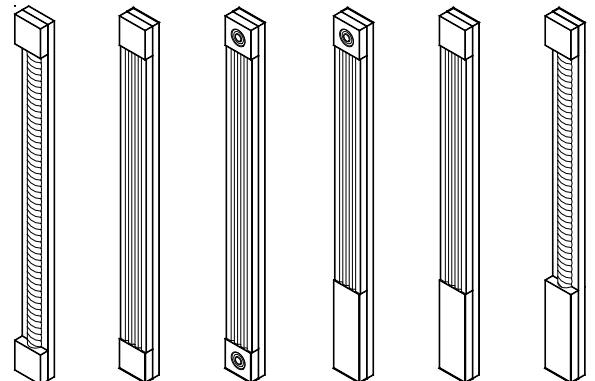


	MSRP
PB3X3	78

	MSRP
PB3X3R	112

	MSRP
PB3X9	130

Examples for using Plinth Blocks, Fluted Fillers, Standard Fillers, and RML96



# Accessories - Fillers & Plant-ons

## Standard Fillers

### Wood door styles

- Fillers are solid wood
- If wider than 3" may be edge-glued solid wood
- Finished one face, two edges, top and bottom



### HG-HPL, Thermofoil, TSS and Wood Veneer styles

- Substrate is particleboard
- Finished face, top and bottom
- On Wood Veneer style, edges are banded with wood tape & finished to match door/drawer face
- HG-HPL not available in 120"

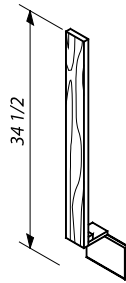
- No modifications

3" W	MSRP
SF330	78
SF333	84
SF336	86
SF339	94
SF342	98
SF360	131
SF396	233
SF3120	327
SFB3	86
SFM3	86

6" W	MSRP
SF630	104
SF633	109
SF636	114
SF639	122
SF642	131
SF660	199
SF696	321
-	-
SFB6	112
SFM6	112

## Base Square Corner Filler

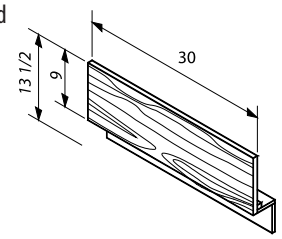
- Shipped with loose Toekick



	MSRP
BSCF3	107

## Under Range Panel

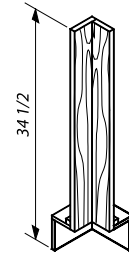
- Face is edge-glued solid wood



	MSRP
URP30	86
URP30-PLY	104

## Base Corner Filler

- Shipped assembled
- Inside dimension is 3" x 3"



	MSRP
BCF3X3	161

## Toeboard Front

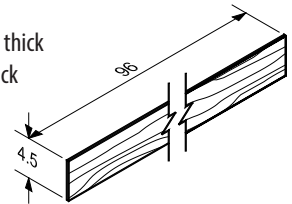
### TBF96

- Wood: 1/4" thick
- Thermofoil: 1/32" thick
- HG-HPL: 1/32" thick
- TSS: 1/32" thick

### TBF96-34

- TSS: 3/4" thick

Note: Loose Only



	MSRP
TBF96	50
TBF96-34	96

## Scribe Filler Plant-ons

- Use Standard Filler as a backer
- Outside edge detail matches door edge all four sides
- \*Note: Paragon doors have 1mm Aluminum PVC edge tape
- Actual size: 1/8" narrower than Scribe Filler and 1/4" shorter than cabinet box (Less Toekick)



### WALL & TALL

3" W	MSRP	6" W	MSRP
SFP0312	69	SFP0612	94
SFP0315	85	SFP0615	114
SFP0318	98	SFP0618	132
SFP0321	114	SFP0621	154
SFP0324	128	SFP0624	173
SFP0327	144	SFP0627	193
SFP0330	157	SFP0630	213
SFP0336	173	SFP0636	233
SFP0339	180	SFP0639	243
SFP0342	189	SFP0642	253
SFP0348	202	SFP0648	274
SFP0354	217	SFP0654	294
SFP0360	232	SFP0660	312
SFP0384	248	SFP0684	334
SFP0390	261	SFP0690	353
SFP0393	261	SFP0693	353
SFP0396	276	SFP0696	373

### BASE & VANITY

3" W	MSRP
SFP03B	121
SFP03D	111
SFP03M	118

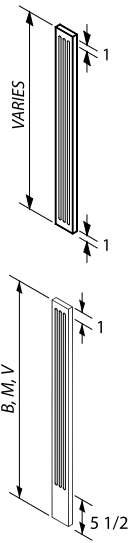
  

6" W	MSRP
SFP06B	147
SFP06M	144

# Accessories - Fluted Filler & End Panels

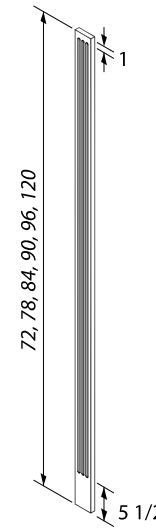
## Fluted Filler

- Available 3" or 6" wide
- Fillers wider than 3" may be edge-glued solid wood
- Finished one face and two long edges
- Base, Mid and Tall fillers may be trimmed for Toekick
- No modifications



3" W	MSRP
WFF330	121
WFF333	127
WFF336	130
WFF339	138
WFF342	147
WFF348	164
WFF354	173
WFF360	181

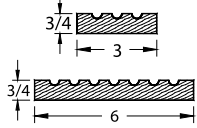
6" W	MSRP
WFF630	173
WFF633	181
WFF636	190
WFF639	204
WFF642	216
WFF648	242
WFF654	259
WFF660	276



3" W	MSRP
TFF372	294
TFF378	328
TFF384	363
TFF390	397
TFF393	415
TFF396	432
TFF3120	562

6" W	MSRP
TFF672	501
TFF678	536
TFF684	570
TFF690	605
TFF696	639

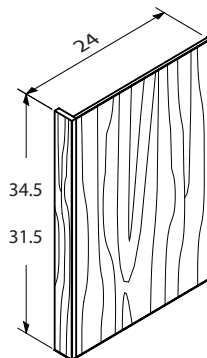
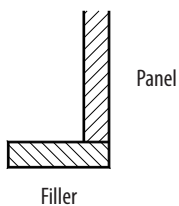
### Cross Sections



## End Panels

- 1-1/2", 3", or 6" fillers available
- Tongue & groove flush end joint on 3/4" thick panel
- Reversible
- Filler faces wider than 3" may be edge-glued solid wood
- Face filler for HG-HPL and Thermofoil door styles will have particleboard substrate
- Clear provided with Rustic Alder
- If required, Toekick notch must be cut at jobsite
- Vanity Mid and Vanity Grand cabinets: order a Mid or Base Height panel and indicate 'RDA to 21" D' modification
- **120" Panels:**
  - Plywood substrate
  - Alder, Cherry, Maple, Red Oak only
  - **Not available** in Rustic, Rift White Oak, HG-HPL, Thermofoil or TSS

### Top View



### Modification Limits

<b>RDA (\$0)</b>	Reduce D to min. 9"
<b>IDA (\$0)</b>	Increase D to max. 30"

24" D END PANELS	MSRP
<b>Mid H</b>	
MEP1.5	219
MEP3	236
MEP6	265
<b>Base H</b>	
BEP1.5	219
BEP3	236
BEP6	265

27" D END PANELS	MSRP
<b>84" H</b>	
TEP1.584	622
TEP384	700
TEP684	788
<b>90" H</b>	
TEP1.590	622
TEP390	700
TEP690	788
<b>96" H</b>	
TEP1.596	622
TEP396	700
TEP696	788
<b>120" H</b>	
TEP1.5120	1448
TEP3120	1606

# Accessories - Pre-sized 1/4" and 3/4" Panels

## General information

### Substrate Material

- Particleboard standard
- Plywood (when order is upgraded)

### Species and Color

- Coordinates with door species and color
- Thermofoil orders:
  - LPL provided for White particleboard
  - HPL provided for Crème particleboard

### Size Modifications

- Not allowed
- For non-standard sizes order 3/4" Custom Size Panel

### 1/4" Panels Only:

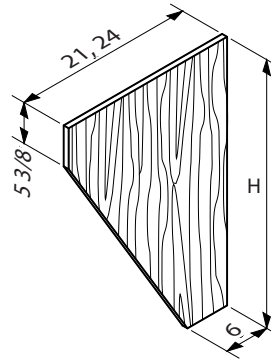
- White Thermofoil receives White paint with melamine top coat on MDF
- Crème Thermofoil receives Crème paint applied to 1/4" thick wood veneer
- Not available with HG-HPL material

### 3/4" Panels Only:

- Finished edges are banded with wood tape & finished to match door/drawer face (except TSS & HG-HPL)

## 3/4" Finished Panels Tapered

- Finished two faces, tapered and 5-3/8" vertical edges
- Pre-sized for 21" and 24" D Base and Mid height cabinets

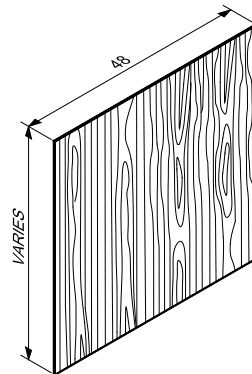


### 3/4" FINISHED PANEL TAPERED

		MSRP
<b>21" D</b>		
34FPT21B	Base height	138
34FPT21M	Mid height	127
<b>24" D</b>		
34FPT24B	Base height	157
34FPT24M	Mid height	150

## 3/4" Finished Back Panel

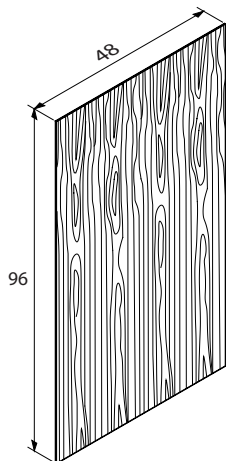
- Finished one face, edge-taped both vertical edges
- 48" wide and height matches cabinet
- Wood grain runs same direction as height



### 3/4" FINISHED BACK PANEL

		MSRP
<b>48" W</b>		
34FP48B	Base height	302
34FP4824	24" H	207
34FP4830	30" H	259
34FP4836	36" H	311
34FP4842	42" H	363

## 1/4" Finished Panels



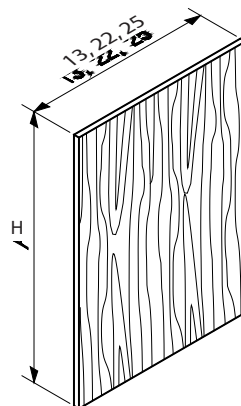
### 1/4" FINISHED PANEL - LOOSE

Item	Size	MSRP
14FP4848	48" W x 48" H	230
14FP4896	48" W x 96" H	383
14FP9648	96" W x 48" H	657

Note: 14FP9648 N/A in Alder & RWO

## 3/4" Finished Panels

- Finished two faces and one long edge
- Pre-sized for 12", 21" and 24" D cabinets



PRE-SIZED 3/4" FINISHED PANEL		MSRP
<b>13" D</b>		
34FP13B	Base Height	84
34FP13M	Mid Height	76
34FP1312	12" H	27
34FP1315	15" H	35
34FP1318	18" H	42
34FP1321	21" H	49
34FP1324	24" H	58
34FP1327	27" H	63
34FP1330	30" H	71
34FP1336	36" H	85
34FP1342	42" H	98
34FP1348	48" H	112
34FP1354	54" H	127
34FP1360	60" H	140
34FP1384	84" H	197
34FP1390	90" H	210
34FP1393	93" H	217
34FP1396	96" H	225

PRE-SIZED 3/4" FINISHED PANEL		MSRP
<b>22" D</b>		
34FP22B	Base height	138
34FP22M	Mid height	127
34FP2248	48" H	190
34FP2254	54" H	215
34FP2260	60" H	239
34FP2284	84" H	334
34FP2290	90" H	356
34FP2296	96" H	380
<b>25" D</b>		
34FP25B	Base height	157
34FP25D	Desk height	121
34FP25M	Mid height	145
34FP2548	48" H	216
34FP2554	54" H	242
34FP2560	60" H	269
34FP2584	84" H	379
34FP2590	90" H	405
34FP2593	93" H	405
34FP2596	96" H	432

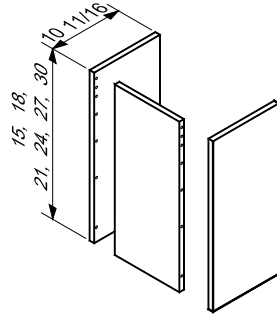
# Accessories - Pre-sized 3/4" Panels, Countertop Material & Edge Tape

## Hood Vent Covers

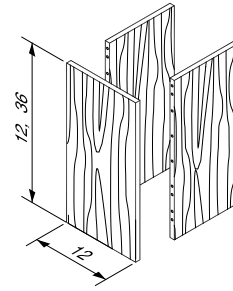
- Sides and front are doweled
- Shipped un-assembled
- For non-standard sizes order 3/4" Custom Size Panel

### Substrate Material

- Particleboard standard
- Plywood (when order is upgraded)
- HG-HPL: Particleboard only



- Overall width is 12" W
- Callout is cabinet height
- Ends have edge tape on vertical edges
- Front fits between sides
- Matches global interior selection



- Face is 12" W
- Callout is actual height
- Overall depth is 12"
- Vertical edges of front are banded with wood tape & finished to match door/drawer face (except TSS & HG-HPL)

INSIDE		STD
12" W		MSRP
HVCI15	15" H	71
HVCI18	18" H	75
HVCI21	21" H	88
HVCI24	24" H	101
HVCI27	27" H	109
HVCI30	30" H	118

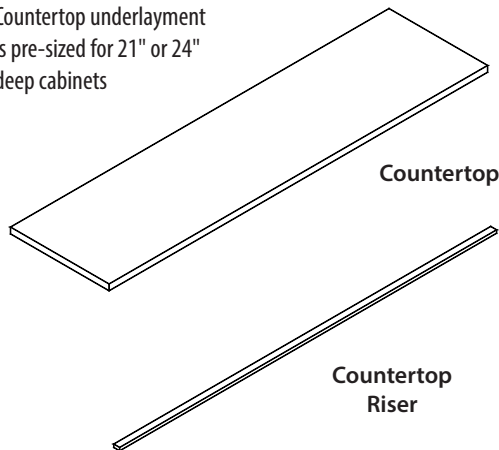
### Species and Color

- Matches door species and color
- Painted wood veneer with edge tape provided for Thermofoil orders

OUTSIDE		STD
12" W		MSRP
HVCO12	12" H	128
HVCO36	36" H	253

## Raw 3/4" Countertop Materials

- Countertop underlayment is pre-sized for 21" or 24" deep cabinets



COUNTERTOP	ACTUAL SIZE	PBD	PLY
		MSRP	
34CT2296	22" D x 96" L	78	118
34CT2596	25" D x 96" L	84	122
34CT3696	36" D x 96" L	138	233
34CT4896	48" D x 96" L	180	243
RISER MATERIAL			
34RISER-PLY	3/4" x 1-1/2" x 96" Raw	-	16
34RISER-FIN	3/4" x 2-1/2" x 96" B1E	32	-
34RISER-FIN-PLY	3/4" x 2-1/2" x 96" B1E	-	35

## Edge Tape

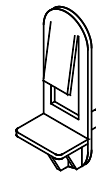
- Edge tape is 15/16" wide
- May be ordered loose (8' lengths) or applied to a panel
- Available in all species and in PVC compatible colors
- Loose edge tape is not pre-glued
- Specify if edge tape is needed for IFE, IFBOT or IFTOP as they have finished wood edge tape applied to match doors (except when HG-HPL or TSS)

Loose Edge Tape		MSRP (roll)
ETL-RAW	Unfinished Wood	69
ETL-FIN	Finished Wood	138
ETL-LAM	PVC	52

## Adjustable Shelf Clips

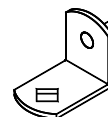
- Clear plastic, locking clips (SC-P)
- Nickel "L" shaped clips (SC-N)
- Shelf clips fit standard 5mm (13/64") diameter system holes

20 per bag	MSRP
SC-P For 3/4" Shelf	17



### Nickel Clips

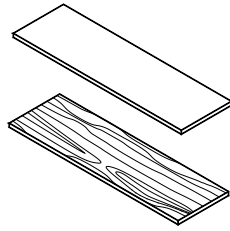
5 per bag	MSRP
SC-N For 3/4" Shelf	5



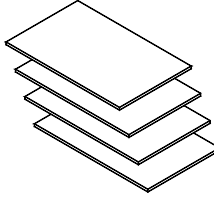
# Accessories - Loose Shelves

## Adjustable Shelf

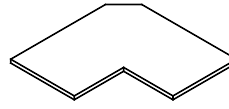
- Includes one 3/4" thick adjustable shelf, finished both faces and one long edge
- Substrate & face material matches order header selection (MWH/PBD or WGL/PLY)
- FMI option is available on both substrates
  - When ordering FMI option, front edge will be wood tape & finished to match door/drawer face (except TSS & HG-HPL)
- Order shelf clips separately



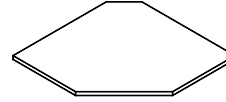
Adjustable Shelf (AS)



Utility Shelf Kit (USK)



Wall Corner Cabinet (ASWCC)



Wall Corner Angle (ASWCA)

### Modification Limits (to cabinet depth)

RDA (\$0)	Reduce D to min. 9"
-----------	---------------------

### Selection Options

Substrate	(PBD) Particleboard (PLY) Plywood (when order is upgraded)
	(MWH) Matches order header substrate/interior (White on PBD)
Face Material	(WGL) Matches order header substrate/interior (Woodgrain Laminate on PLY)
	(FMI) Matches order header door color/species

Thermofoil FMI is Painted wood Veneer

### HOW TO ORDER

Style +	Cab W +	Cab D +	Substrate +	"-" +	Face Material
AS	42	12	PBD	-	FMI

LOOSE SHELVES 3/4"		MWH WGL	FMI
ADJ. SHELVES	12" D CABINET	MSRP	
AS09X12 -_-	9" W	23	53
AS12X12 -_-	12" W	24	59
AS15X12 -_-	15" W	26	62
AS18X12 -_-	18" W	27	66
AS21X12 -_-	21" W	29	71
AS24X12 -_-	24" W	32	75
AS27X12 -_-	27" W	33	79
AS30X12 -_-	30" W	35	84
AS33X12 -_-	33" W	36	86
AS36X12 -_-	36" W	37	92
AS39X12 -_-	39" W	40	95
AS42X12 -_-	42" W	42	101
ADJ. SHELVES	21" D CABINET	MSRP	
AS09X21 -_-	9" W	27	66
AS12X21 -_-	12" W	32	75
AS15X21 -_-	15" W	35	84
AS18X21 -_-	18" W	37	92
AS21X21 -_-	21" W	75	104
AS24X21 -_-	24" W	46	112
AS27X21 -_-	27" W	50	121
AS30X21 -_-	30" W	55	132
AS33X21 -_-	33" W	59	141
AS36X21 -_-	36" W	63	154
AS39X21 -_-	39" W	69	166
AS42X21 -_-	42" W	75	179
ADJ. SHELVES	24" D CABINET	MSRP	
AS09X24 -_-	9" W	32	72
AS12X24 -_-	12" W	35	82
AS15X24 -_-	15" W	37	92
AS18X24 -_-	18" W	42	101
AS21X24 -_-	21" W	45	107
AS24X24 -_-	24" W	114	122
AS27X24 -_-	27" W	55	132
AS30X24 -_-	30" W	60	145
AS33X24 -_-	33" W	63	156
AS36X24 -_-	36" W	71	170
AS39X24 -_-	39" W	76	183
AS42X24 -_-	42" W	81	197

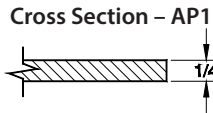
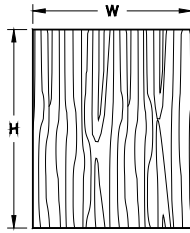
LOOSE SHELVES 3/4"		MWH WGL	FMI
ADJ. SHELVES	WALL CORNER CABINET	MSRP	
ASWCC2412 -_-	WCC 24" x 12"	86	204
ADJ. SHELVES	WALL CORNER ANGLE	MSRP	
ASWCA2412 -_-	WCA 24" x 12"	86	204
UTILITY SHELF KITS	12" D CABINET	MSRP	
USK15X12 -_-	15" W	121	N/A
USK18X12 -_-	18" W	128	
USK21X12 -_-	21" W	135	
USK24X12 -_-	24" W	141	
USK27X12 -_-	27" W	148	
USK30X12 -_-	30" W	156	
USK33X12 -_-	33" W	163	
USK36X12 -_-	36" W	170	
UTILITY SHELF KITS	21" D CABINET	MSRP	
USK15X21 -_-	15" W	156	N/A
USK18X21 -_-	18" W	170	
USK21X21 -_-	21" W	190	
USK24X21 -_-	24" W	204	
USK27X21 -_-	27" W	217	
USK30X21 -_-	30" W	239	
USK33X21 -_-	33" W	252	
USK36X21 -_-	36" W	274	
UTILITY SHELF KITS	24" D CABINET	MSRP	
USK15X24 -_-	15" W	170	N/A
USK18X24 -_-	18" W	184	
USK21X24 -_-	21" W	204	
USK24X24 -_-	24" W	223	
USK27X24 -_-	27" W	239	
USK30X24 -_-	30" W	261	
USK33X24 -_-	33" W	276	
USK36X24 -_-	36" W	300	



# Accessories – Appliance Panels (AP1, AP2 & APDR)

## Appliance Panel #1: 1/4" Panel

- (AP1) 1/4" thick woodgrain veneer with MDF substrate or White paint with melamine topcoat on 1/4" MDF
- Thermofoil orders receive panels with White or Crème paint
- Avail. only in White and Crème for HPL orders
- WIDTH: Max. 48" | HEIGHT: Max. 96"
- For pricing details, see chart at bottom of page
- **Not available:** any HPL or TSS slab door styles



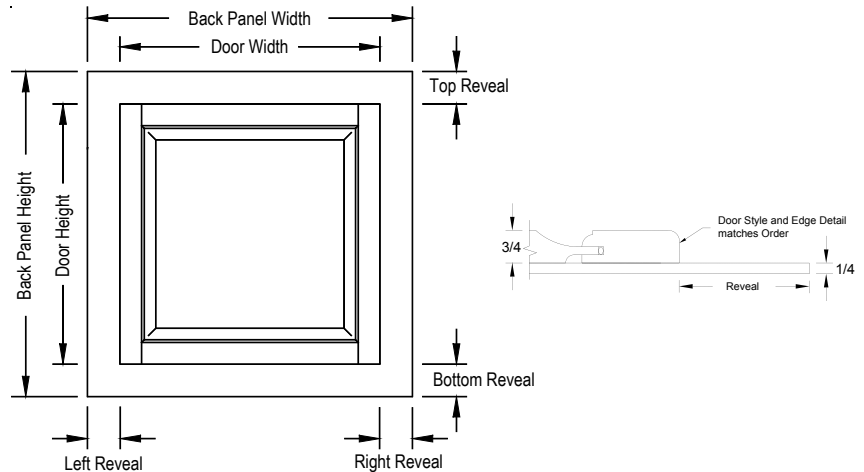
HOW TO ORDER		
Style +	Width +	Height
AP1	36.5	60

		K1	K2	K3	K4	K5
APPLIANCE PANELS						
AP1	1/4" Flush Panel	0.79	0.84	0.98	1.05	1.21
AP2	Door on 1/4" Panel w/Standard Reveals	0.79	0.84	0.98	1.05	1.21
APDR	Door only (no back panel)	0.50	0.53	0.70	0.77	0.92

PRICING NOTE
Price is MSRP per square inch (W x H)
1. Round fractions to next whole number
2. Multiply results by square inch price
<b>Add \$216 MSRP for AP2 w/Custom Reveals</b>

## Appliance Panel #2: Door Mounted on 1/4" Back Panel

- (AP2) Available with standard or custom reveals
- Standard reveals: door is centered on back panel with 3" reveals on all sides (panel must be trimmed onsite to change reveals)
- **Custom reveals: (AP2) Appliance Panel Form is required** (see Forms section)
- Choose vertical (VV) or horizontal (HH) grain
- Door styling and edge detail matches order header
- Thermofoil orders: back panel will be painted with compatible White or Crème colors
- HPL orders: AP2s available only in White or Crème
- Size limits and panel configuration are based on door style construction, size and grain direction selected (min. and max. noted below)
- **Not available:** any HPL slab door styles, can order APDR



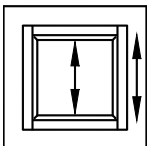
### Appliance Panel Door: Door only (APDR)

Refer to individual door style pages for size limits and specifications (General section)

HOW TO ORDER					
Style +	Grain Direction +	Custom or Standard Reveals +	Door Width (1/16" increments) +	"X" +	Door Height (1/16" increments)
AP2	VV	S	24	x	42
APDR			24	x	42

### AP2VV

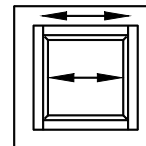
- WIDTH: Min. 10" | Max. 36"
- M&T styles: center mullion when wider than 27"



- HEIGHT: Min. is same as DFMD drawer front
- Panels below 10" tall: built as DFMD drawer fronts
- HEIGHT: Max. 73"
- M&T styles: center rail and two equal panels when taller than 52"
- Mitered frame panel styles: single raised or recessed panel, regardless of size

### AP2HH

- WIDTH: Min. 10" | Max. 48"

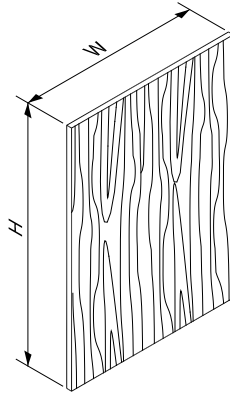


- HEIGHT: Min. is same as DFMD drawer front
- Panels below 10" tall will be built as DFMD drawer fronts
- HEIGHT: Max. 27"

# Accessories - Full Sheet & Custom Size Finished Panels

## Finished Panels: Full Sheet & Custom Size

- **Wood Veneer Species:** All species except for Rustic Alder
- **HPL Doors:** order High-Pressure Laminate (HPL)
- **WIDTH:** Min. 3" | Max. 48"  
**HEIGHT:** Min. 12" | Max. 96" (unless otherwise noted)
- Custom panels (CP): list Width first (cross grain), then Height (same direction as grain)
- Note: Min. price per piece is 3 square feet



### Edge Tape Instructions

- 1/2" and 3/4" panels only
- Edges will be banded with wood tape & finished to match door/drawer face (except TSS & HG-HPL)

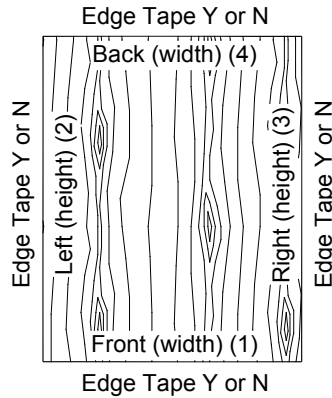
### \*Specify which edges will receive edge tape

Example:

CP STD 3/4 (W)x(H) HPL PBD F2F NYNY

"NYNY" indicates:

No: Front - Yes: Left - No: Right - Yes: Back



Nomenclature Guide	
132	1/32" Thick
14	1/4" Thick
34	3/4" Thick
CP	Custom Panel
F1F	Finished front side only
F2F	Finished front and back sides
FMI	Wood Veneer matches door selection
HPL	High-Pressure Laminate
LPL	Low-Pressure Laminate
MCI	Match Cabinet Interior on order header
MDF	Medium Density Fibreboard substrate
PBD	Particleboard substrate
PLY	Plywood substrate

OE Code	Edge Tape Location	MSRP
NNNN	No Edges	0
YYYY	All Edges	56
YNNN	Front Only	14
NYNN	Left Only	14
NNYN	Right Only	14
NNNY	Back Only	14
YYNN	Front & Left	27
YNYN	Front & Right	27
YNNY	Front & Back	27
NYYN	Left & Right	27
NYNY	Left & Back	27
NNYY	Right & Back	27
YYYY	Front, Left, Right	42
YNNY	Front, Right, Back	42
YNYN	Front, Left, Back	42
NYNY	Left, Right, Back	42

### PRICING NOTES

1. W x H = Square inches ÷ 144 for square feet
2. Round up to next whole sq ft
3. Multiply by MSRP (Min. price per piece: 3 sq ft)

### HOW TO ORDER

Panel +	Thickness +	Dimensions W x H	Finished Face	Substrate	# Finished Faces	Finished Edges
CP	34	27 x 52	MCI	PBD	F2F	YYYN

Thickness	Substrate	Front of Panel	Back of Panel	Per sq ft MSRP	Max MSRP/ea	Notes	Electronic Catalog (20-20 & CVS) Nomenclature	Electronic Catalog (20-20 & CVS) Description - When ordering, modify description to include Width x Height
1/32	Wood	Wood Veneer	Unfinished	23	660		CP132FMI	CP 1/32 (W)x(H) Wood Veneer
1/32	HPL	HPL	Unfinished	17	485		CP132HPLY	CP 1/32 (W)x(H) HPL
1/4	MDF	Wood Veneer	Unfinished	14	416		CP14FMI	CP 1/4 (W)x(H) Wood Veneer MDF
1/4	MDF	Beaded Wood Veneer	Unfinished	19	550		CP14FMIBEADED	CP 1/4 (W)x(H) Beaded Wd Ven MDF
1/4	MDF	White Paint	Unfinished	9	206		CP14WHITE	CP 1/4 (W)x(H) Wht Paint MDF

Note: PBD and PLY Substrate should match order header selection. PLY up-charge is applied per order only

3/4	PBD or PLY	Wood Veneer	Unfinished	20	582	Rustic Alder N/A	CP34FMIPBDF1F*	CP 3/4 (W)x(H) Wood Veneer PBD F1F*
3/4		Wood Veneer	Wood Veneer	23	693	Rustic Alder N/A	CP34FMIPBDF2F*	CP 3/4 (W)x(H) Wood Veneer PBD F2F*
3/4		Wood Veneer	MCI	20	608	Rustic Alder N/A	CP34FMIMCIPBD	CP 3/4 (W)x(H) Wd Ven/MCI PBD F1F*
3/4		MCI	MCI	12	308		CP34MCI PBD F2F*	CP 3/4 (W)x(H) MCI PBD F2F*
3/4		LPL White	LPL White	13	337		CP34LPLWPBDF2F*	CP 3/4 (W)x(H) LPL White PBD F2F*
3/4		LPL Almond	LPL Almond	13	337		CP34LPLAPBDF2F*	CP 3/4 (W)x(H) LPL Almond PBD F2F*
3/4		HPL	White Melamine	24	743	See HPL color selection in General Section	CP34HPPBDF1F*	CP 3/4 (W)x(H) HPL PBD F1F*
3/4		HPL	HPL	29	878		CP34HPPBDF2F*	CP 3/4 (W)x(H) HPL PBD F2F*

# Accessories - Finished End Doors

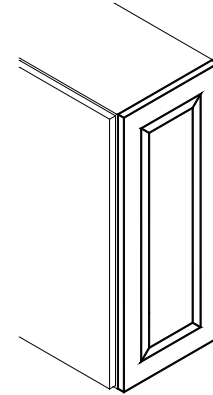
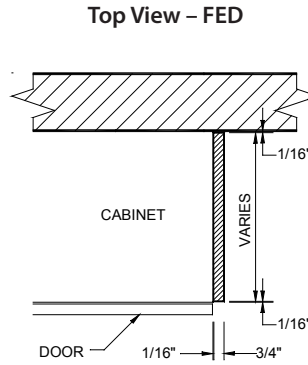
## Finished End Doors

- Pre-sized doors installed over an Integral Finished End (Ordered separately – see Modifications section)
- Height of door(s) is same as doors/drawers on cabinet – when installed properly, door(s) will line up with adjacent doors and drawers
- Width is 1/8" less than cabinet depth
- Edge detail and panel detail are same as door style selected
- When ordered for Tall cabinets the package will contain two or three doors depending on cabinet configuration
- Available in all door styles and/or wood species
- Factory installation not available

### ORDERING

1. Order Integral Finished End for cabinet (see Modifications section)
2. Order loose Finished End Door using information below

Modification Limits	
For non-standard sizes order loose doors (DOOR-NH)	
RFG, MGD	Refer to Modifications section for use



### HOW TO ORDER

Style +	Configuration +	Cab D +	Cab H
FED	P	21	90

# Doors	Cabinet Configurations		Cabinet Depth	Cabinet Height
1	Wall	W	12, 24	12, 15, 18, 21, 24, 27, 30, 33, 36, 39, 42
1	Base and Vanity Grand	B	12, 18, 21, 24	Do not list height for Base and Vanity configurations
1	Mid-Base and Vanity-Mid	M	12, 18, 21, 24	
2	Utility or Pantry	U or P	12, 24	84, 90, 93, 96

FINISHED END DOORS		K1	K2	K3	K4	K5
<b>WALL: 12" D</b>						
FEDW1212	12" H	72	78	101	109	132
FEDW1215	15" H	89	96	124	137	166
FEDW1218	18" H	109	115	148	164	199
FEDW1221	21" H	127	135	174	192	230
FEDW1224	24" H	145	154	199	219	265
FEDW1227	27" H	163	173	225	248	297
FEDW1230	30" H	180	193	249	274	330
FEDW1233	33" H	199	213	275	301	363
FEDW1236	36" H	216	232	300	328	396
FEDW1239	39" H	235	251	325	356	429
FEDW1242	42" H	252	269	348	383	461
FEDW1248	48" H	288	310	397	438	527
FEDW1254	54" H	325	347	448	492	595
FEDW1260	60" H	361	386	498	547	660
<b>BASE HEIGHT</b>						
FEDB12	12" D	210	225	291	320	386
FEDB18	18" D	317	337	435	478	577
FEDB21	21" D	369	395	508	559	672
FEDB24	24" D	422	449	580	639	769
<b>MID HEIGHT</b>						
FEDM12	12" D	192	206	266	292	353
FEDM18	18" D	288	310	397	438	527
FEDM21	21" D	337	360	465	511	615
FEDM24	24" D	386	412	530	585	703

FINISHED END DOORS		K1	K2	K3	K4	K5
<b>WALL: 24" D</b>						
FEDW2412	12" H	145	154	199	219	265
FEDW2415	15" H	180	193	249	274	330
FEDW2418	18" H	216	232	300	328	396
FEDW2421	21" H	252	269	348	383	461
FEDW2424	24" H	288	310	397	438	527
FEDW2427	27" H	325	347	448	492	593
FEDW2430	30" H	361	386	498	547	660
FEDW2433	33" H	397	425	547	603	726
FEDW2436	36" H	433	464	598	657	792
FEDW2439	39" H	469	501	648	711	857
FEDW2442	42" H	504	539	697	768	923
<b>TALL: 12" D Insert Tall designation (U or P) for correct door size</b>						
FED_1284	84" H	504	539	697	768	923
FED_1290	90" H	541	579	746	821	988
FED_1293	93" H	559	598	772	848	1021
FED_1296	96" H	577	616	796	876	1054
<b>TALL: 24" D Insert Tall designation (U or P) for correct door size</b>						
FED_2484	84" H	1011	1080	1392	1532	1846
FED_2490	90" H	1081	1158	1493	1642	1976
FED_2493	93" H	1117	1195	1544	1696	2042
FED_2496	96" H	1155	1234	1593	1752	2108

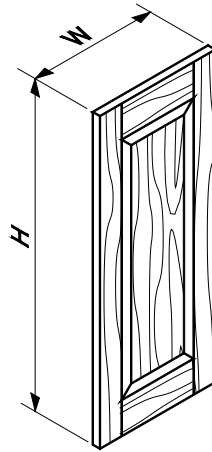
# Accessories - Doors

## Doors

- Door style, edge detail and finish matches order header information
- Loose doors are prepped for hinges as specified, but hinges must be ordered separately
- When DOOR-MH and hinges are ordered, the door will be prepped for hinges, and hinges will be shipped separately
- Apply standard door modifications, such as RFG or MGD, using information in Modifications section
- For individual door size limitations and specifications, refer to door style specifications pages
- Doors 36" H and below will have two hinges
- Doors over 36" H will have three hinges
- Square panel doors may be ordered with any door style

**APDR** Appliance Panel Door: is identical to DOOR-NH but used for appliance application to display, design and price within 20-20 (see Appliance Panels pg 87)

HOW TO ORDER			
Style	Hinge Prep side	Width	Height
+		+	+
DOOR-NH		18	36



		K1	K2	K3	K4	K5
<b>LOOSE DOORS</b>						
DOOR-NH / APDR	No Hinge Prep	0.50	0.53	0.69	0.76	0.92
DOOR-MH	Hinge Prep (L/R)	0.50	0.53	0.69	0.76	0.92

PRICING NOTE
Price is MSRP per square inch (W x H)
1. Round fractions to next whole number
2. Multiply results by square inch price

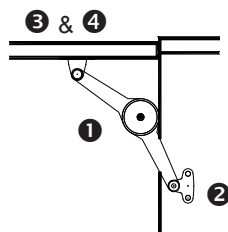
## Hinges

- Hinges are ordered individually (not in pairs)
- Each hinge includes mounting plate and attachment screws
- Refer to chart to determine hinge type used for odd cabinets
- Soft-close hinges sense door size, weight and closing force and adjusts braking power for a smooth, silent close
- Soft-close integrates into hinge cup

HINGES (INCLUDES MOUNTING PLATE & SCREWS)			MSRP (ea)
HINGE-K110-INMO	110° soft-close hinge & mounting plate for standard cabinets		37
HINGE-K60	60° bifold hinge & mounting plate for between doors on FBCC / WCC cabinets		46
HINGE-K45	45° diagonal hinge & mounting plate for WCA cabinet		24
HINGE-K45NEG	Negative 45° angle hinge & mounting plate for FBEA/WEA cabinets		46
HINGE-KSC-INMO	110° blind corner soft close hinge, spacer gasket & mounting plate for BSC/WSC cabinets		14
HINGE-TO	Hinge set for tip-out drawer fronts		52
HINGE-K170	170° hinge & mounting plate for FBCC/WCC cabinets		39
HINGE-KFD	94° mini hinge & mounting plate for flip-down drawer fronts		37
HINGE-KAD	110° hinge & mounting plate for W_LS-RFG aluminum door cabinets		37
HINGE-KSD	110° hinge & mounting plate for V_S3D-DD & FV_2SD cabinets (inner door)		36
MOUNTING PLATES (HINGES NOT INCLUDED)			
HINGE-KMP-STD	6mm mounting plate for use with K110, K170, KAD and KSC hinges		6
HINGE-KMP-EA	3mm mounting plate for use with K45, K45NEG, K60 & KSD hinges		7
HINGE-KMP-FD	2mm mounting plate for use with KFD (flip-down) hinge		6

## Lidstays

- Reversible lidstay hardware surface mounts to door (or lid) and inner side of cabinet
- Door (or lid) locks into position when fully opened
- Adjustable brake controls lid closure
- Packaged with four mounting screws
- Order individual components of Lidstay



LIDSTAY PARTS	DESCRIPTION	MSRP (ea)	USE FOR
1 DUOARM	Lidstay Arm - Short	84	All applications
2 DUOBRKT-C	Duo Cabinet Bracket	10	All applications
3 DUOBRKT-DA	Duo Door Bracket Aluminum A01 (only)	3	A01 Alum. Dr frame
4 DUOBRKT-DS	Duo Door Bracket Standard	6	All Except: A01 Alum. Dr frame

# Accessories - Drawer Fronts & Boxes

## Drawer Fronts (loose)

- Style, edge detail and finish matches order header information
- Max. W: 48"

### To override order header configuration

- Apply DFMD ( Drawer Front Match Door) as allowed (by style)
- If ordering DFMD, (4) DF-BRKT (Drawer Front Bracket) required per drawer
- Applicable DFMD up-charge is applied per drawer front

### Drawer Front Styles

**DF:** Drawer front without machining. Order for typical drawer fronts and tip-out fronts. No prep is required for tip-out hinges but hinges must be ordered separately.

**DF-FD:** Drawer front machined for flip-down hinges. Flip-down hinges are used for breadboards (BB) and chopping blocks (CB). Flip-down hinges must be ordered separately.

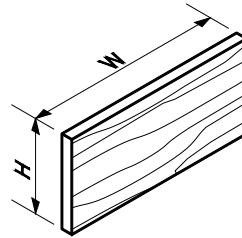
Loose hinges listed on previous page

Refer to individual door style pages, in General Section, to find dimensional min. and max. drawer front sizes and available styles

### HOW TO ORDER

Style +	Width +	Height +
DF-FD	18	4.75

		K1	K2	K3	K4	K5
DRAWER FRONTS						
DF	Drawer Front	0.69	0.69	0.69	0.69	0.92
DF-FD	Flip-Down DF	0.69	0.69	0.69	0.69	0.92



### PRICING NOTE

Price is MSRP per square inch (W x H)

1. Round fractions to next whole number

2. Multiply results by square inch price

Add up-charge per front for DFMD

### SIZING NOTE

Typical drawer front heights, drawer box heights, and opening heights are on Cross Section pages of Base and Vanity sections

Cabinets up to 36" W have one drawer front  
Cabinets wider than 36" have two drawer fronts

## Drawer Front Bracket

- Bracket used with 5-piece DFMD drawer front
- Measures 9/16" x 1-1/8" x 1-1/2"
- Color: light brown
- Attaches with 4 flat head screws (provided)



	MSRP
DF-BRKT	6

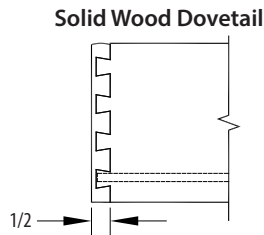
# Accessories - Drawer Guides & Hardware

## Drawer Boxes (loose)

- 1/2" thick solid wood front, back and sides
- 1/4" bottom captured on front and sides, glued dovetail construction and clear finish
- Drawer boxes may be ordered with or without drawer guide hardware (NGU = Prepped box only, does not include any guide hardware)

### Available sizes:

- Heights: 2-1/4", 3-1/4", 4-1/4", 6-1/4", 8-1/4" and 10-1/4"
- Width: See chart at right
- Depths: 15", 18" and 21"
- No modifications



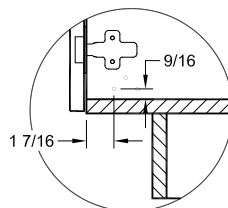
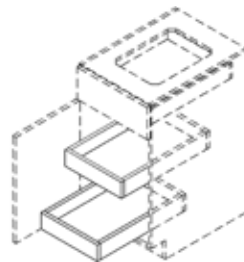
HOW TO SIZE DRAWER BOX WIDTHS	
Solid Wood Dovetail Drawer Box Sizes	
Cab Box = PBD	Cab Width less 1-29/32" (1.90625)
Cab Box = PLY	Cab Width less 1-13/16" (1.8125)

HOW TO ORDER			
Style +	Height	Width	Depth
<b>DBOXY-NGU</b>	<b>6-1/4</b>	<b>13-15/16</b>	<b>21</b>

Solid Wood Dovetail Drawer Boxes		MSRP (ea)
DBOX-NGU	No Guide Hardware - UMFEG-IM prep only	79
DBOX-UMFEG-IM	Under Mount Full-Extension w/soft close	372

## Roll-out Trays

- 3-1/4" High
- 1/2" thick solid wood sides with dovetail construction, natural finish, and standard guides
- Designed for 24" D cabinets
- Order individually, loose or factory installed
- Loose: includes complete drawer guide set with attachment hardware
  - Order BOTRO-SPCR for loose ROs that will be installed at bottom of cabinet
  - Installer must drill additional set of mounting holes
- Installed: specify cabinet and number of roll-outs to be installed at factory (Ex: P3684x24, 2-IRO36)
  - First roll-out will be placed at bottom of cabinet
  - Additional roll-outs will be evenly spaced
  - IROs replace existing adjustable shelves that would normally be included with cabinet



BOTRO-SPCR front mounting hole location

### Modification Limits (for RO & SMRO)

RDA (\$0)	Reduce D to min. 15" allowed for loose only
-----------	---

Loose Roll-outs	Cab W	Loose MSRP	Installed MSRP
R015	15	189	276
R018	18	206	294
R021	21	225	312
R024	24	245	334
R027	27	261	348
R030	30	276	364
R033	33	294	382
R036	36	310	397
1" BOTRO-SPCR		17	pkg. of 4

\*For installed add 'I' prefix (Ex: **IRO36**)

## Drawer & Roll-Out Guides (loose)

- Undermount, Full-Extension with soft close system are rated for 75lbs.
- Loose drawer guides include guide, cabinet members, and all necessary mounting hardware for drawer box application
- Order roll-out spacers separately

Cabinet Depth	Guide Lengths & Drawer Depths [by Type and Cabinet Depth]			
	Drawer		RO	
	Gd L	Dpth	Gd L	Dpth
18"	15		15	
19"	15		15	
20"	15		15	
21"	18		18	
22"	18		18	
23"	18		18	
24"	21		21	

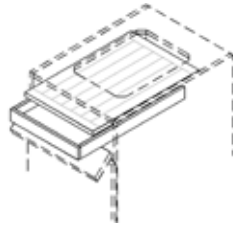
Loose Spacer	Loose MSRP
1" BOTRO-SPCR	17 pkg. of 4

UMFEG-IM Guide Set	MSRP
UMFEG-IMS-15	15"
UMFEG-IMS-18	18"
UMFEG-IMS-21	21"
	75

# Accessories - Breadboard, Chopping Block and Roll-out Trays

## Breadboard & Shallow Drawer

- 3/4" thick hardwood breadboard
- Retrofit kits include breadboard, shallow drawer and guides
- Flip-down front and hinges must be ordered separately
- Size modifications not allowed

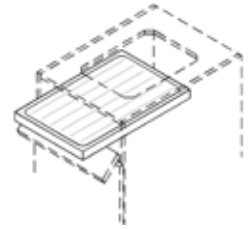


- Callout indicates cabinet width

Retrofit Kit	MSRP
BBK15	297
BBK18	356
BBK21	415
BBK24	472

## Chopping Block

- 1-1/2" thick hardwood chopping block with juice groove
- Retrofit kits include chopping block with locking full-extension guides
- Flip-down front and hinges must be ordered separately
- Size modifications not allowed



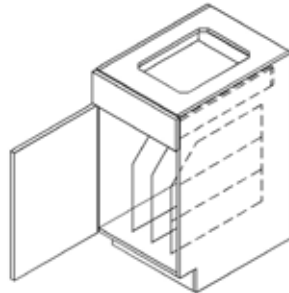
- Callout indicates cabinet width

Retrofit Kit	MSRP
CBK18	544
CBK21	579
CBK24	605

## Tray Dividers

- Loose chrome wire dividers come with mounting clips

B18L shown with (3) TD18



Cabinet not included

TD12: 12" H x 20" D

**Cabinet sizes (Wall only):**

W: N/A | H: 18" or 21" | D: 24"

TD18: 18" H x 20" D

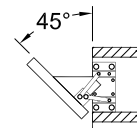
**Cabinet sizes (Wall and Base):**

W: N/A" | H: 24" | D: 24"

Loose	MSRP
TD12	43
TD18	49

## Tip-out Trays

- Loose trays available in 10", 11", 14" and 19" widths
- Tip-out hinges and mounting screws included
- Existing drawer front or false front may be used (Special machining not required)

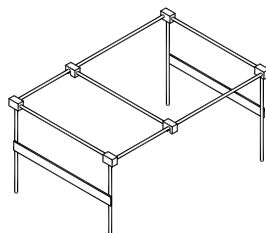


Cabinet not included

	Loose	MSRP
T010	10" Single Stainless Steel	121
T011	11-1/4" Pair White Plastic	141
T014	14-1/4" Pair White Plastic	144
T019	19" Single Stainless Steel	127

## File Drawer Systems

- Black wire file drawer racks
- Each system includes corner connectors and adjustable T-rod connections to allow divided storage for letter and legal size folders
- Designed to fit into Base 18" or 21" cabinets; metal supports can be trimmed to fit various drawer sizes
- Loose only



Letter size (SMFD): 13" W x 9-3/4" H x 19-1/4" D

**Drawer Requirements:**

Min. W: 13" | Min. H: 8-1/2" | Min. D: 9"

Legal size (LGFD): 15-7/8" W x 9-3/4" H x 19-1/4" D

**Drawer Requirements:**

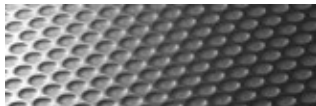
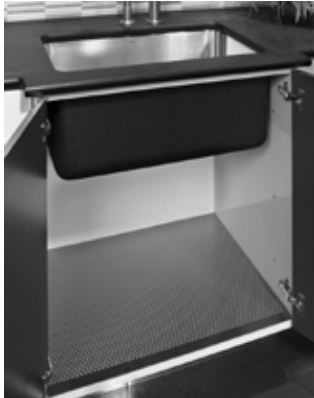
Min. W: 15-7/8" | Min. H: 8-1/2" | Min. D: 9"

Loose	MSRP
SMFD	111
LGFD	127

# Accessories - Miscellaneous

## Sink Cabinet Floor Liner

- Flexible liner made of grey/stainless colored polystyrene
- Designed to prevent damage to cabinet floor by collecting liquid spills in unique dimples
- No modifications (may be cut on site with table saw)



Size: 3/32" thick x 45-1/2" W x 24-5/8" D

	MSRP
LNRS	276

### NOTE

Stain (QST), Aerosol lacquer and Aerosol paint are for touch-up purposes only. They will not provide a consistent match to factory-finished product if applied to unfinished material.

Contact customer service for information about matching stains and paints.

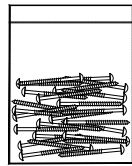
## MISCELLANEOUS HARDWARE

Plastic Screw Caps (50 per bag)



	MSRP
CAPS-W (White)	20
CAPS-LB (Light Brown)	20

Installation Screws (70 per bag)  
Connector Screws (50 per bag)



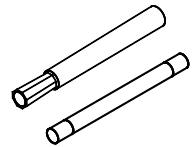
Loose	MSRP
SCREWS-I	20
SCREWS-C	71

## STAIN, LACQUER AND TOUCH-UP



	MSRP
LAQ-STD Std Gloss	92
LAQ-MAT Matte Gloss	92

13 oz Clear Lacquer aerosol

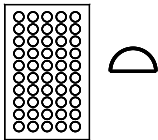


	MSRP
TUK Touch-up Kit	101

Stain or Paint pen and putty stick  
Color determined by order header  
\*Note: Thunder is paint pen only

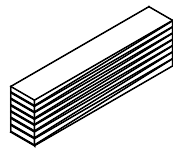
Clear Bumper Pads (50 per sheet)

- Installed on doors and drawer fronts received before 4/2013 and after 7/2014

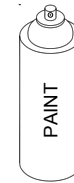


	MSRP
PADS	9

Wood Installation Shims (bundle)

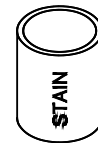


	MSRP
SHIMS	19



	MSRP
-AERO Paint	92

13 oz aerosol Specify paint color



	MSRP
QST 1 Quart Stain	107

Color determined by order header

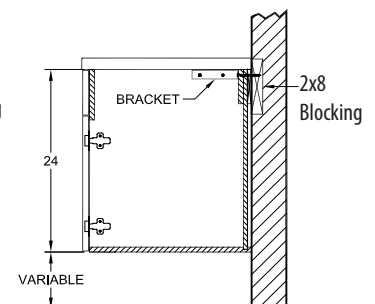
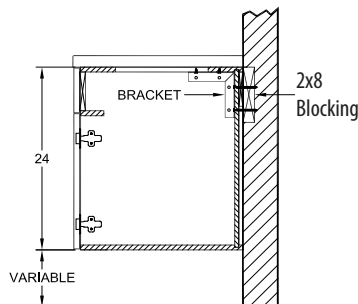
## Vanity Wall Hung Support Bracket

- 6" x 6", white powder coated, 12 gauge steel
- Wood screws included for mounting
- Loose only



### Installation Requirements (onsite):

- Minimum two brackets per cabinet
- Must install 2x8 blocking between wall framing prior to cabinet installation
- Install brackets vertically or horizontally to top, inside back corner of cabinet
- Use (6) #8 x 5/8" screws to fasten brackets to cabinet end panel and top shelf
- Use (2) #8 x 3" screws to fasten brackets through cabinet back and into 2x8 wall blocking

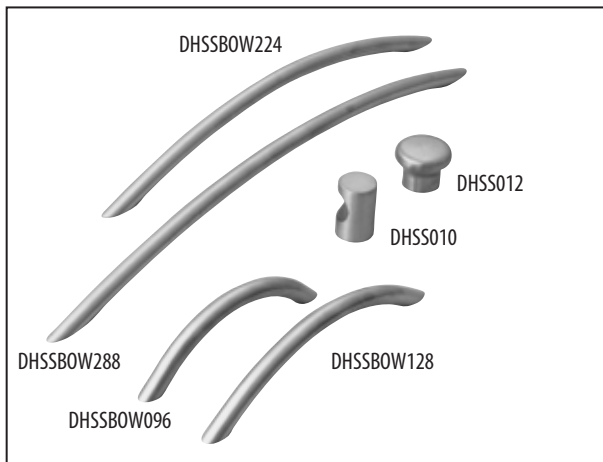


	MSRP (ea)
VWH-BRKT	135

\* On sink applications, wall hung vanity support brackets mount horizontally

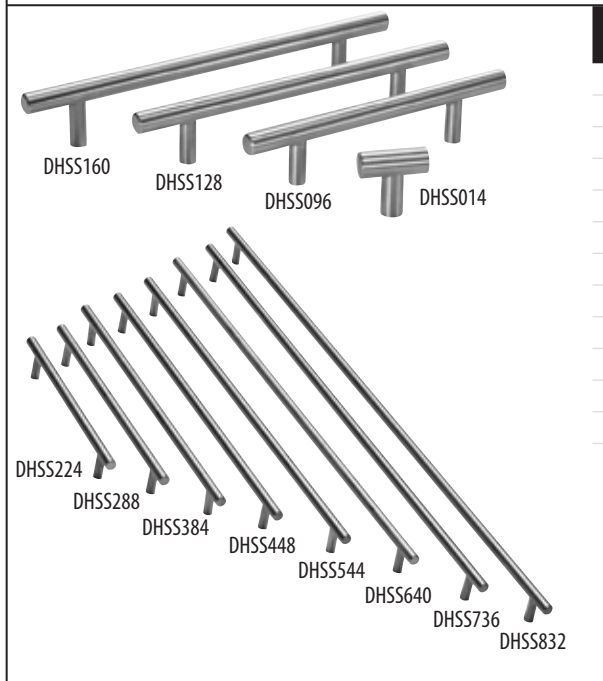


## Accessories - Decorative Hardware (Contemporary Collections)



DHSSBOW224  
 DHSSBOW288  
 DHSSBOW096  
 DHSSBOW128  
 DHSS010  
 DHSS012

Item	Type	Finish	Drill C/C	Overall Length	Projection	Base Width	MSRP
DHSS010	Knob	Stainless Steel	N/A	3/4 dia.	1-1/8	3/4	52
DHSS012	Knob	Stainless Steel	N/A	1-3/16 dia.	7/8	3/4	84
DHSSBOW096	Bow Pull	Stainless Steel	3-3/4	4-1/2	1-1/8	3/8	52
DHSSBOW128	Bow Pull	Stainless Steel	5-1/16	6-1/8	1-1/8	3/8	58
DHSSBOW224	Bow Pull	Stainless Steel	8-13/16	10-1/4	1-1/8	3/8	84
DHSSBOW288	Bow Pull	Stainless Steel	11-5/16	13-1/4	1-1/8	3/8	102



DHSS160  
 DHSS128  
 DHSS096  
 DHSS014  
 DHSS224  
 DHSS288  
 DHSS384  
 DHSS448  
 DHSS544  
 DHSS640  
 DHSS736  
 DHSS832

Item	Type	Finish	Drill C/C	Overall Length	Projection	Base Width	MSRP
DHSS014	"T" Knob	Stainless Steel	N/A	1-3/8	1-3/8	1/2	45
DHSS096	Bar Pull	Stainless Steel	3-3/4	6-1/8	1-3/8	1/2	79
DHSS128	Bar Pull	Stainless Steel	5-1/16	7-3/8	1-3/8	1/2	84
DHSS160	Bar Pull	Stainless Steel	6-5/16	8-5/8	1-3/8	1/2	89
DHSS224	Bar Pull	Stainless Steel	8-13/16	11-1/8	1-3/8	1/2	107
DHSS288	Bar Pull	Stainless Steel	11-5/16	13-3/4	1-3/8	1/2	114
DHSS384	Bar Pull	Stainless Steel	15-1/8	17-1/2	1-3/8	1/2	140
DHSS448	Bar Pull	Stainless Steel	17-5/8	20	1-3/8	1/2	153
DHSS544	Bar Pull	Stainless Steel	21-7/16	23-3/4	1-3/8	1/2	179
DHSS640	Bar Pull	Stainless Steel	25-3/16	27-1/2	1-3/8	1/2	196
DHSS736	Bar Pull	Stainless Steel	29	31-3/8	1-3/8	1/2	222
DHSS832	Bar Pull	Stainless Steel	32-3/4	35-1/8	1-3/8	1/2	233

Photos may not accurately represent product. Please view a sample prior to placing an order.

# Accessories - Decorative Hardware (Advantage Plus Series)

\* Please view samples or a display board prior to placing an order. Photos may not accurately represent product.

 34MM MSRP DH9362-10VB-P 13 *Display Board 3	 34MM MSRP DH9363-10WN-P 13 *Display Board 3	 34MM MSRP DH9364-1055-P 13 *Display Board 3	 34MM MSRP DH0919-126-P 13 *Display Board 3
 34MM MSRP DH0920-1BPN-P 13 *Display Board 3	 34MM MSRP DH0917-1RG-P 13 *Display Board 3	 34MM MSRP DH0921-1ORBL-P 13 *Display Board 3	 28.5MM MSRP DH1775-110-P 13 *Display Board 2
 29MM MSRP DH0923-1BBN-P 13 *Display Board 2	 29MM MSRP DH0925-199-P 13 *Display Board 2	 28.5MM MSRP DH1773-126-P 13 *Display Board 2	 29MM MSRP DH9338-10VB-P 10 *Display Board 1
 29MM MSRP DH9339-10WN-P 13 *Display Board 1	 29MM MSRP DH9340-1RGZ-P 13 *Display Board 1	 28.5MM MSRP DH9351-10VB-P 13 *Display Board 2	 28.5MM MSRP DH9352-10WN-P 13 *Display Board 2
 28.5MM MSRP DH1777-1RGZ-P 13 *Display Board 2	 29MM MSRP DH0913-1BPN-P 10 *Display Board 1	 29MM MSRP DH0914-198-P 10 *Display Board 2	 29MM MSRP DH9429-1BPN-P 13 *Display Board 7
 29MM MSRP DH9430-1026-P 13 *Display Board 7	 29MM MSRP DH9431-1055-P 13 *Display Board 7	 31MM MSRP DH9432-4BPN-P 13 *Display Board 7	 31MM MSRP DH9433-4026-P 13 *Display Board 7


\* Please view samples or a display board prior to placing an order. Photos may not accurately represent product.

# Accessories - Decorative Hardware (Advantage Plus Series)

 <p>Black</p> <p>31MM MSRP DH9434-4055-P 13 *Display Board 7</p>	 <p>29MM MSRP DH1759-1RGZ-P 13 *Display Board 1</p>	 <p>29MM MSRP DH1756-1BPN-P 13 *Display Board 1</p>	 <p>29MM MSRP DH9337-10WN-P 13 *Display Board 1</p>																								
 <p>29MM MSRP DH9336-10VB-P 13 *Display Board 1</p>	 <p>1-1/8" MSRP DH9374-10VB-P 19 *Display Board 5</p>	 <p>1-1/8" MSRP DH9375-1BPN-P 19 *Display Board 5</p>	 <p>1-1/8" MSRP DH9376-10WN-P 19 *Display Board 5</p>																								
 <p>1-1/8" MSRP DH9380-10VB-P 19 *Display Board 5</p>	 <p>1-1/8" MSRP DH9381-1BPN-P 19 *Display Board 5</p>	 <p>1-1/8" MSRP DH9382-10WN-P 19 *Display Board 5</p>	 <p>Matte Black</p> <p>1-5/16" MSRP DH0935-155-P 13 *Display Board 4</p>																								
 <p>1-5/16" MSRP DH0931-1BPN-P 13 *Display Board 4</p>	 <p>1-5/16" MSRP DH9366-10WN-P 13 *Display Board 4</p>	 <p>1-5/16" MSRP DH0934-1RG-P 13 *Display Board 4</p>	 <p>1-5/16" MSRP DH9365-10VB-P 13 *Display Board 4</p>																								
 <p>31MM MSRP DH0954-1BBN-P 20 *Display Board 4</p>	 <p>31MM MSRP DH0955-1BPN-P 19 *Display Board 4</p>	<table border="1"> <tbody> <tr> <td>BBN</td> <td>Brushed Black Nickel</td> <td>WN</td> <td>Weathered Nickel</td> </tr> <tr> <td>BPN</td> <td>Brushed Polished Nickel</td> <td colspan="2">* Indicated next to image:</td> </tr> <tr> <td>ORB</td> <td>Oil Rubbed Bronze</td> <td colspan="2">Black or Matte Black</td> </tr> <tr> <td>RG</td> <td>Rust Glaze</td> <td colspan="2">Black Nickel</td> </tr> <tr> <td>RGZ</td> <td>Black w/Rust Glaze</td> <td colspan="2">Polished Chrome</td> </tr> <tr> <td>VB</td> <td>Verona Bronze</td> <td colspan="2">Rubbed Bronze</td> </tr> </tbody> </table>		BBN	Brushed Black Nickel	WN	Weathered Nickel	BPN	Brushed Polished Nickel	* Indicated next to image:		ORB	Oil Rubbed Bronze	Black or Matte Black		RG	Rust Glaze	Black Nickel		RGZ	Black w/Rust Glaze	Polished Chrome		VB	Verona Bronze	Rubbed Bronze	
BBN	Brushed Black Nickel	WN	Weathered Nickel																								
BPN	Brushed Polished Nickel	* Indicated next to image:																									
ORB	Oil Rubbed Bronze	Black or Matte Black																									
RG	Rust Glaze	Black Nickel																									
RGZ	Black w/Rust Glaze	Polished Chrome																									
VB	Verona Bronze	Rubbed Bronze																									
 <p>31MM MSRP DH0956-1ORB-P 19 *Display Board 4</p>	 <p>31MM MSRP DH0957-1RG-P 20 *Display Board 4</p>	 <p>31MM MSRP DH9372-10VB-P 19 *Display Board 4</p>	 <p>2" T-Bar MSRP DH9435-2BPN-P 13 *Display Board 7</p>																								
























# Accessories - Decorative Hardware (Advantage Plus Series)

\* Please view samples or a display board prior to placing an order. Photos may not accurately represent product.

 <p>1-7/16" MSRP DH9426-1BPN-P 13 *Display Board 6</p>	<p>Polished Chrome</p>  <p>1-7/16" MSRP DH9427-1026-P 13 *Display Board 6</p>	<p>Black</p>  <p>1-7/16" MSRP DH9428-1055-P 13 *Display Board 6</p>	 <p>2-3/8" x 1-13/16" MSRP DH9389-10WN-P 23 *Display Board 5</p>																								
 <p>2-3/8" x 1-13/16" MSRP DH9390-10VB-P 23 *Display Board 5</p>	 <p>2-3/8" x 1-13/16" MSRP DH9391-1BPN-P 23 *Display Board 5</p>	<table border="1"> <tr> <td>BBN</td> <td>Brushed Black Nickel</td> <td>WN</td> <td>Weathered Nickel</td> </tr> <tr> <td>BPN</td> <td>Brushed Polished Nickel</td> <td colspan="2">* Indicated next to image:</td> </tr> <tr> <td>ORB</td> <td>Oil Rubbed Bronze</td> <td colspan="2">Black or Matte Black</td> </tr> <tr> <td>RG</td> <td>Rust Glaze</td> <td colspan="2">Black Nickel</td> </tr> <tr> <td>RGZ</td> <td>Black w/Rust Glaze</td> <td colspan="2">Polished Chrome</td> </tr> <tr> <td>VB</td> <td>Verona Bronze</td> <td colspan="2">Rubbed Bronze</td> </tr> </table>		BBN	Brushed Black Nickel	WN	Weathered Nickel	BPN	Brushed Polished Nickel	* Indicated next to image:		ORB	Oil Rubbed Bronze	Black or Matte Black		RG	Rust Glaze	Black Nickel		RGZ	Black w/Rust Glaze	Polished Chrome		VB	Verona Bronze	Rubbed Bronze	
BBN	Brushed Black Nickel	WN	Weathered Nickel																								
BPN	Brushed Polished Nickel	* Indicated next to image:																									
ORB	Oil Rubbed Bronze	Black or Matte Black																									
RG	Rust Glaze	Black Nickel																									
RGZ	Black w/Rust Glaze	Polished Chrome																									
VB	Verona Bronze	Rubbed Bronze																									
<p>Polished Chrome</p>  <p>3" MSRP DH0971-126-P 10 *Display Board 2</p>	<p>Black Nickel</p>  <p>3" MSRP DH0972-198-P 10 *Display Board 2</p>	 <p>3" MSRP DH0973-1BPN-P 10 *Display Board 2</p>	<p>Rubbed Bronze</p>  <p>3" MSRP DH1733-110-P 10 *Display Board 2</p>																								
 <p>3" MSRP DH1735-1RGZ-P 13 *Display Board 2</p>	 <p>3" MSRP DH9355-10VB-P 10 *Display Board 2</p>	 <p>3" MSRP DH9356-10WN-P 10 *Display Board 2</p>	 <p>96MM MSRP DH9383-10VB-P 19 *Display Board 5</p>																								
 <p>96MM MSRP DH9384-1BPN-P 19 *Display Board 5</p>	 <p>96MM MSRP DH9385-10WN-P 19 *Display Board 5</p>	 <p>96MM MSRP DH9392-10VB-P 23 *Display Board 5</p>	 <p>96MM MSRP DH9393-1BPN-P 23 *Display Board 5</p>																								
 <p>96MM MSRP DH9394-10WN-P 23 *Display Board 5</p>	 <p>3" MSRP DH0922-1BBN-P 13 *Display Board 2</p>	<p>Brushed Nickel</p>  <p>3" MSRP DH0924-199-P 13 *Display Board 2</p>	<p>Polished Chrome</p>  <p>3" MSRP DH1767-126-P 13 *Display Board 2</p>																								



# Accessories - Decorative Hardware (Advantage Plus Series)

\* Please view samples or a display board prior to placing an order. Photos may not accurately represent product.

 <p>Rubbed Bronze</p> <hr/> <p>3" MSRP DH1769-110-P 13 *Display Board 2</p>	 <hr/> <p>3" MSRP DH1771-1RGZ-P 13 *Display Board 2</p>	 <hr/> <p>3" MSRP DH9353-10VB-P 13 *Display Board 2</p>	 <hr/> <p>3" MSRP DH9354-10WN-P 13 *Display Board 2</p>
 <hr/> <p>3" MSRP DH1786-1BPN-P 13 *Display Board 1</p>	 <hr/> <p>3" MSRP DH1789-1RGZ-P 13 *Display Board 1</p>	 <hr/> <p>3" MSRP DH9342-10VB-P 13 *Display Board 1</p>	 <hr/> <p>3" MSRP DH9343-10WN-P 13 *Display Board 1</p>
 <hr/> <p>3" MSRP DH1738-1BPN-P 13 *Display Board 1</p>	 <hr/> <p>3" MSRP DH1741-1RGZ-P 13 *Display Board 1</p>	 <hr/> <p>3" MSRP DH9344-10VB-P 13 *Display Board 1</p>	 <hr/> <p>3" MSRP DH9345-10WN-P 13 *Display Board 1</p>
 <hr/> <p>3" MSRP DH1744-1BPN-P 13 *Display Board 1</p>	 <hr/> <p>3" MSRP DH1747-1RGZ-P 13 *Display Board 1</p>	 <hr/> <p>3" MSRP DH9346-10VB-P 13 *Display Board 1</p>	 <hr/> <p>3" MSRP DH9350-10WN-P 13 *Display Board 1</p>
 <p>Polished Chrome</p> <hr/> <p>96MM MSRP DH0991-126-P 13 *Display Board 3</p>	 <hr/> <p>96MM MSRP DH0992-1BPN-P 13 *Display Board 3</p>	 <hr/> <p>96MM MSRP DH0993-10RBL-P 13 *Display Board 3</p>	 <hr/> <p>96MM MSRP DH0994-1RG-P 13 *Display Board 3</p>
 <hr/> <p>96MM MSRP DH9357-10VB-P 13 *Display Board 3</p>	 <hr/> <p>96MM MSRP DH9358-10WN-P 13 *Display Board 3</p>	 <p>Matte Black</p> <hr/> <p>96MM MSRP DH9359-1055-P 13 *Display Board 3</p>	












# Accessories - Decorative Hardware (Advantage Plus Series)

\* Please view samples or a display board prior to placing an order. Photos may not accurately represent product.

 <p>3" MSRP DH9377-10VB-P 23 *Display Board 5</p>	 <p>3" MSRP DH9378-1BPN-P 23 *Display Board 5</p>	 <p>3" MSRP DH9379-10WN-P 23 *Display Board 5</p>	 <p>96MM MSRP DH9403-4BPN-P 17 *Display Board 5</p>
 <p>96MM MSRP DH9404-4026-P 17 *Display Board 5</p>	<p>Black</p>  <p>96MM MSRP DH9405-4055-P 17 *Display Board 5</p>	<p>Brushed Nickel</p>  <p>128MM MSRP DH9406-4BPN-P 23 *Display Board 5</p>	<p>Polished Chrome</p>  <p>128MM MSRP DH9407-4026-P 23 *Display Board 5</p>
<p>Black</p>  <p>128MM MSRP DH9408-4055-P 23 *Display Board 5</p>	 <p>96MM MSRP DH9395-1BPN-P 19 *Display Board 7</p>	<p>Polished Chrome</p>  <p>96MM MSRP DH9396-1026-P 19 *Display Board 7</p>	<p>Black</p>  <p>96MM MSRP DH9397-1055-P 19 *Display Board 7</p>
 <p>128MM MSRP DH9398-1BPN-P 23 *Display Board 7</p>	<p>Polished Chrome</p>  <p>128MM MSRP DH9399-1026-P 23 *Display Board 7</p>	<p>Black</p>  <p>128MM MSRP DH9400-1055-P 23 *Display Board 7</p>	 <p>96MM MSRP DH9409-1BPN-P 19 *Display Board 6</p>
<p>Polished Chrome</p>  <p>96MM MSRP DH9410-1026-P 19 *Display Board 6</p>	<p>Black</p>  <p>96MM MSRP DH9411-1055-P 19 *Display Board 6</p>	 <p>128MM MSRP DH9412-1BPN-P 23 *Display Board 6</p>	<p>Polished Chrome</p>  <p>128MM MSRP DH9413-1026-P 23 *Display Board 6</p>
<p>Black</p>  <p>128MM MSRP DH9414-1055-P 23 *Display Board 6</p>	 <p>96MM MSRP DH9415-1BPN-P 23 *Display Board 6</p>	<p>Polished Chrome</p>  <p>96MM MSRP DH9416-1026-P 23 *Display Board 6</p>	<p>Black</p>  <p>96MM MSRP DH9417-1055-P 23 *Display Board 6</p>


\* Please view samples or a display board prior to placing an order. Photos may not accurately represent product.

# Accessories - Decorative Hardware (Advantage Plus Series)

 <p>96MM MSRP DH9418-4BPN-P 13 *Display Board 7</p>	<p>Polished Chrome</p>  <p>96MM MSRP DH9419-4026-P 13 *Display Board 7</p>	<p>Black</p>  <p>96MM MSRP DH9420-4055-P 13 *Display Board 7</p>	 <p>128MM MSRP DH9423-4BPN-P 17 *Display Board 7</p>																								
<p>Polished Chrome</p>  <p>128MM MSRP DH9424-4026-P 17 *Display Board 7</p>	<p>Black</p>  <p>128MM MSRP DH9425-4055-P 17 *Display Board 7</p>	 <p>96MM MSRP DH9401-2BPN-P 19 *Display Board 7</p>	 <p>128MM MSRP DH9402-2BPN-P 23 *Display Board 7</p>																								
<table border="1"> <tr> <td>BBN</td> <td>Brushed Black Nickel</td> <td>WN</td> <td>Weathered Nickel</td> </tr> <tr> <td>BPN</td> <td>Brushed Polished Nickel</td> <td colspan="2">* Indicated next to image:</td> </tr> <tr> <td>ORB</td> <td>Oil Rubbed Bronze</td> <td colspan="2">Black or Matte Black</td> </tr> <tr> <td>RG</td> <td>Rust Glaze</td> <td colspan="2">Black Nickel</td> </tr> <tr> <td>RGZ</td> <td>Black w/Rust Glaze</td> <td colspan="2">Polished Chrome</td> </tr> <tr> <td>VB</td> <td>Verona Bronze</td> <td colspan="2">Rubbed Bronze</td> </tr> </table>		BBN	Brushed Black Nickel	WN	Weathered Nickel	BPN	Brushed Polished Nickel	* Indicated next to image:		ORB	Oil Rubbed Bronze	Black or Matte Black		RG	Rust Glaze	Black Nickel		RGZ	Black w/Rust Glaze	Polished Chrome		VB	Verona Bronze	Rubbed Bronze		 <p>3" MSRP DH0944-1BBN-P 17 *Display Board 4</p>	 <p>3" MSRP DH0945-1BPN-P 16 *Display Board 4</p>
BBN	Brushed Black Nickel	WN	Weathered Nickel																								
BPN	Brushed Polished Nickel	* Indicated next to image:																									
ORB	Oil Rubbed Bronze	Black or Matte Black																									
RG	Rust Glaze	Black Nickel																									
RGZ	Black w/Rust Glaze	Polished Chrome																									
VB	Verona Bronze	Rubbed Bronze																									
 <p>3" MSRP DH0946-1ORB-P 15 *Display Board 4</p>	 <p>3" MSRP DH0947-1RG-P 17 *Display Board 4</p>	 <p>3" MSRP DH9373-10VB-P 16 *Display Board 4</p>	 <p>3" MSRP DH9367-10VB-P 19 *Display Board 4</p>																								
 <p>3" MSRP DH9368-1BPN-P 19 *Display Board 4</p>	 <p>3" MSRP DH9369-10WN-P 19 *Display Board 4</p>	<p>Black</p>  <p>3" MSRP DH9370-1055-P 19 *Display Board 4</p>	 <p>3" MSRP DH9371-1RGZ-P 20 *Display Board 4</p>																								
 <p>3" MSRP DH9387-1BPN-P 19 *Display Board 5</p>	 <p>3" MSRP DH9388-10WN-P 19 *Display Board 5</p>	 <p>3" MSRP DH9386-10VB-P 19 *Display Board 5</p>																									

# Accessories - Decorative Hardware (Advantage Plus Series)

\* Please view samples or a display board prior to placing an order. Photos may not accurately represent product.

 <p>Polished Chrome</p> <p>64MM      MSRP DH0961-126-P      13 *Display Board 3</p>	 <p>64MM      MSRP DH0963-1BPN-P      13 *Display Board 3</p>	 <p>64MM      MSRP DH0964-1ORB-P      13 *Display Board 3</p>	 <p>64MM      MSRP DH0966-1RG-P      13 *Display Board 3</p>
 <p>Matte Black</p> <p>64MM      MSRP DH0967-155-P      13 *Display Board 3</p>	 <p>64MM      MSRP DH9360-10VB-P      13 *Display Board 3</p>	 <p>64MM      MSRP DH9361-10WN-P      13 *Display Board 3</p>	

BBN	Brushed Black Nickel	WN	Weathered Nickel
BPN	Brushed Polished Nickel	* Indicated next to image:	
ORB	Oil Rubbed Bronze	Black or Matte Black	
RG	Rust Glaze	Black Nickel	
RGZ	Black w/Rust Glaze	Polished Chrome	
VB	Verona Bronze	Rubbed Bronze	

**Canyon Creek Cabinet Company**  
 16726 Tye St SE • Monroe, WA 98272  
[www.canyoncreek.com](http://www.canyoncreek.com)

**Customer Service:**  
 PH: 800-228-1830 x 299 • FX: 800-787-0131