


**CORNERSTONE  
P&S Guide Update  
October 2018**

**IN THIS UPDATE: New Blum Hinges & Guides,  
Discontinued Items and Maintenance Edits**

<b>NEW</b>	<p><b>New Pages</b></p> <p>G-1, G-2, G-3, T-10, T-12, A-38, A-39</p> <p>2, G-1, G-2, G-3, B-16, V-28, HO-2, HO-4, HO-6, A-41, A-42, A-46</p> <p>G-19 - G-113</p>	<p><b>New: Blum Hinges</b> Blum concealed hinges are now standard, concealed inMotion hinges have a \$29 up-charge</p> <p><b>New: Blum Guides</b> Blum InMotion guides are now standard</p> <p><b>New Door Pages</b></p>	
<b>DISCONTINUED</b>	<p><b>New Pages</b></p> <p>G-5 - G-7, G-19 - G-113 W-50, W-52, W-54, W-56, W-98 - W-102, B-33, V-40, A-9, A-29, A-30, A-32, A-37, A-38, M-10 - M-13</p> <p>G-2, G-13, G-14, G-18, B-34, V-34, WB-2, A-6, A-7, A-8, A-10, A-17, A-19</p> <p>2, G-1, G-2, G-3, W-103, W-104, W-105, B-16, V-20, V-28, HO-2, HO-4, HO-6, A-41, A-42, A-46, M-15</p>	<p><b>Discontinued Doors:</b> Belvedere, Dakota, Limoges, Montpelier, Nantucket, Westland, Westland Solid, and Winterhaven</p> <p>Center styles: except Shaker</p> <p>Arched styles: Crown, Cathedral, Shoulder and Tudor (Roman stays)</p> <p><b>Discontinued Edge Details:</b> R, T and routed finger pull (_F) edge details have been discontinued</p> <p><b>Discontinued Full-Extension Guides:</b> Side Mount Full-Extension Guides (FEG-Z, FEGW and FEGB) have been discontinued</p>	

<b>DISCONTINUED</b>	<p><b>New Pages</b></p> <p>G-1, G-2, G-3, T-10, T-12, A-38, A-39</p> <p>G-15 - G-17, Index 8</p> <p>B-25, B-50, B-54, B-55, B-56, B-57, V-36, V-37</p> <p>HO-10</p> <p>A-8</p> <p>A-39, A-42</p>	<p><b>Discontinued Hinges:</b> Exposed and Finial-Ball Polished Brass hinges have been discontinued</p> <p><b>Discontinued Spattering:</b> Finish enhancement spattering has been discontinued</p> <p><b>Discontinued Cabinets:</b></p> <ul style="list-style-type: none"> <li>• Mid Base Drop-In (MBD_)</li> <li>• Base End Angle (BEA24)</li> <li>• Base End Cabinet (BEC24)</li> <li>• Base Angled Back (BAB24)</li> <li>• Base Outside Corner (BOC18X24)</li> <li>• Vanity End Angle (VEA21, VMEA21, VGEA21)</li> <li>• Vanity End Cabinet (VEC21, VMEC21, VGEC21)</li> <li>• Vanity Angle Back (VAB21, VMAB21, VGAB21)</li> </ul> <p><b>Discontinued:</b> Keyboard Tray-Flip Down (KBFD_)</p> <p><b>Discontinued Pediments</b></p> <p><b>Discontinued Hardware:</b> ROPRO2, HGC-CC12R, HGC-CC12L, HGC-CC114R, HGC-114L</p>
	<b>GENERAL</b>	<p><b>New Pages</b></p> <p>G-12</p>



<b>ACCESSORIES</b>	<p><b>New Pages</b></p> <p>A1, A-3, A-11 - A-15</p> <p>A-2</p> <p>A-37</p>	<p><b>Maintenance Edit:</b> Removed Brown Wood Inc. products from P&amp;SG. Updated BWI catalog and pricing is available in CC Business.</p> <p><b>Maintenance Edit:</b> CRWN-ACX120 nomenclature fixed</p> <p><b>Maintenance Edit:</b> Note clarification on Finished Furniture Backs</p>
<b>MISCELLANEOUS</b>	<p><b>New Pages</b></p> <p>B-52, A-27</p> <p>W-6 - W-9</p> <p>W-42, B-28, B-29, T-34 - T-41, M-16</p> <p>B-42</p> <p>M-2</p> <p>M-11</p>	<p><b>Maintenance Edit:</b> Base &amp; Full Base Sink Front Kit Angle and Hood Vent Covers shipped unassembled</p> <p><b>Maintenance Edit:</b> Hood Block Modification information located on page M-8. Wall cabinet nomenclatures ending in HB have been discontinued</p> <p><b>Maintenance Edit:</b> Clarification on oven cutout notes</p> <p><b>Maintenance Edit:</b> Left or right orientation required for Base Square Corner - Chrome Optimizer</p> <p><b>Maintenance Edit:</b> When Increase Height Modification, drawer banks are increased beginning with bottom drawer until opening height becomes 12-3/4" for Base-3 Drawer (B3D) and 10" for Base 4-Drawer (B4D), then second drawer from bottom is increased using same criteria</p> <p><b>Maintenance Edit:</b> Carlsbad added to mullion grid chart</p>

>> This page intentionally blank <<

# Cornerstone

## Price & Specifications



Your Style With Our Solutions Creates Home

**CANYON CREEK**  
Cabinet Company

# Common Abbreviations

1D	1 Drawer		LS	Lidstay or Lazy Susan
1DR	1 Door		M&T	Mortise & Tenon
2D	2 Drawer		MB	Mid Base (31-1/2" H)
2DR	2 Door		MDF	Medium Density Fiberboard
3D	3 Drawer		MGD	Mullion Grid Door (modification)
4D	4 Drawer		P	Pantry (tall cabinet)
AD	Active Door Ends		PBD	Particleboard
AG	Appliance Garage		PE	Panel End
AP	Appliance Panel		PLY	Plywood
B	Base cabinet (34-1/2" H)		Plycore	Plywood center, MDF each side, Veneer face
BB	Breadboard		R	Right
BRO	Base Roll-out		RE	Refrigerator Enclosure (Tall cabinet)
CAG	Corner Appliance Garage		RFG	Rout for Glass (modification)
CC	Clipped Corner (modification)		RO	Roll-out (IRO to install)
CC1	Custom Cutout (single opening)		SEDB	Double Beaded Self-edge
CC2	Custom Cutout (middle opening or bottom w/ 2 openings)		SMRO	Shelf Mount Roll-out
CC3	Custom Cutout (bottom opening w/ 3 openings)		SPR	Special Product Request
CP	Custom Panel (1/32", 1/4", 3/8", 1/2" or 3/4" thick)		SQ	Square or Suzy Q
D	Depth		SS	Stainless Steel or Super Susan
DD	Double Door (24" wide cabinets)		T	Tall cabinet
DFMD	Drawer Front Matches Door		TK	Toekick
DFOS	Drawer Front Only Sample		U	Utility (tall cabinet)
DH	Decorative Hardware		UMFEG-IM	Under Mount Full-Extension Drawer Guides w/inMotion
DOS	Door Only Sample		UOV	Universal Oven (tall cabinet)
EBB	Exposed Breadboard		V	Vanity (29-1/4" H)
EP	End Panel		VB	Vertical Bifold
FB	Full Base (no drawers)		VG	Vanity Grand (34-1/2" H)
FE	Finished End (1/4" or 3/8" thick) or Flush End		VL	Vertical Lift
FED	Finished End Door		VM	Vanity Mid (31-1/2" H)
FFB	Finished Furniture Back		W	Wall cabinet or Width
FFDRS	Face Frame and Door Sample		WGL	Woodgrain Laminate
FFE	Finished Furniture End		WHTV	White Vinyl
Finial Ball	Finial Ball exposed hinge (Inset only)		WS	Wardrobe Storage cabinet
FMI	Finish to Match Interior			
FP	Finished Panel (1/4", 3/8" or 3/4" thick)		<	Less than
FV	Full Vanity (no drawers)		>	Greater than
H	Height		≥	Equal to or greater than
HPL	High-Pressure Laminate			
HWDWR	Hardwood Dovetail (drawers and roll-outs)			
I	Install Accessory (Example: IRO=Install Roll-out)			
IM	inMotion			
L	Left or Length			
LPL	Low-Pressure Laminate			

Please see cabinet specifications for individual product nomenclature

Canyon Creek Cabinet Company reserves the right to change the design, specifications or material presented in this book without notice

# Table of Contents

Welcome to Canyon Creek Cabinet Company	
Framed Cabinet Construction	G-1
Door Overlays	G-2
Cabinet, Door and Drawer Options/Notes	G-2
Inset & Beaded Inset Notes	G-3
General Wood Species Characteristics	G-4
Door Style Quick Selection Guides	G-5 – G-10
Stain & Paint Colors by Wood Species & Finish Notes	G-11 – G-12
Finish Enhancements and Options	G-13 – G-17
Edge Details	G-18
Wood Door Styles	G-19 – G-96
Slab Wood Door Styles	G-97 – G-103
Thermofoil Door Styles	G-104 – G-110
Laminate Door Styles	G-111
Sample Doors & Drawer Fronts	G-112
Wall Cabinets	W Section
Base Cabinets	B Section
Vanity Cabinets	V Section
Tall Cabinets	T Section
Home Office Cabinets	HO Section
Accessories	A Section
Decorative Hardware	DH Section
Modifications	M Section
Forms & Ordering Information	Forms Section
Index with 20-20 & Nomenclature Guides	Index
Printed in USA	Copyright 2018

# Framed Cabinet Specifications

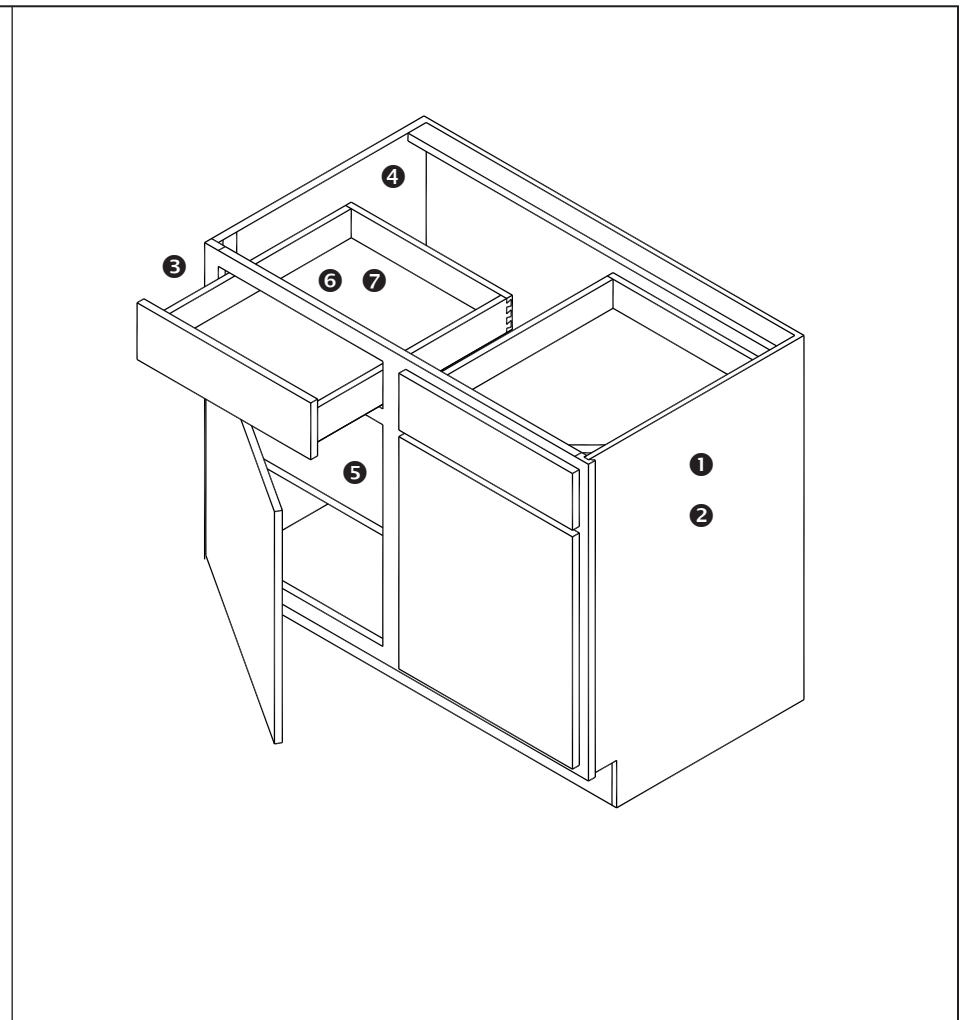
1   Cabinet Box	
PBD	1/2" particleboard
PLY	1/2" plywood
Dadoed sides lock in top, bottom and back panels	
Base & Vanity cabinets have full-width solid wood stretchers	
BOX ONLY CABINETS	
Includes all cabinet components except doors, drawer fronts and hinges. Frames are pre-drilled for hinges.	
Use price point C0 for Box Only	

2   Exterior	
Standard exterior is unfinished	

3   Face Frame	
Solid hardwood	Pocket screwed and glued
Cabinets over 36" W have a 3" center mullion	

4   Interior Finish	
Particleboard or Plywood	WHTV White Vinyl WGL Woodgrain Laminate

5   Adjustable Shelves		
PBD	3/4" particleboard	Full depth
PLY	3/4" plywood	
Adjust in 1-1/4" increments		
Clear plastic locking shelf clips		



6   Drawers and Roll-outs	
DRAWER BOXES	
SWD	1/2" solid wood dovetail
HWDWR	5/8" hardwood dovetail
1/4" captive bottom in front and sides	
Rabbeted joint on boxes less than 5" W	

ROLL-OUTS	
RO	5/8" hardwood dovetail
Available loose or installed	

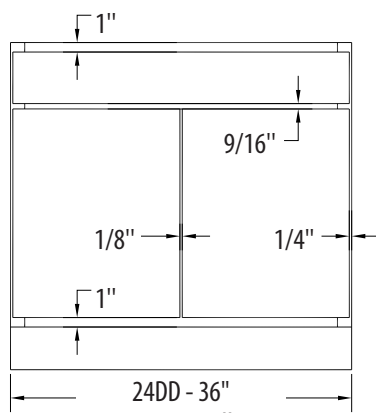
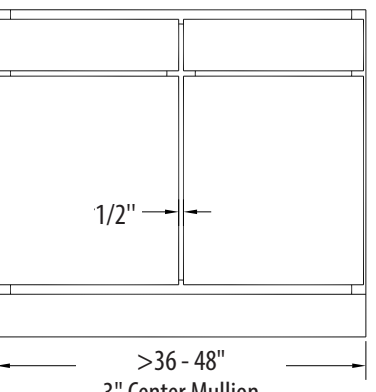
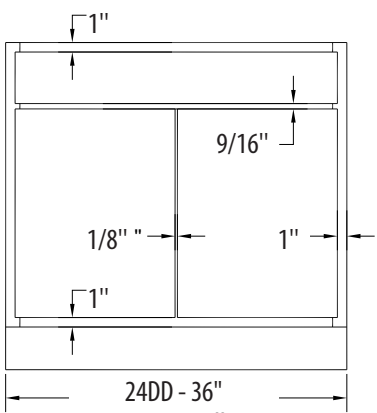
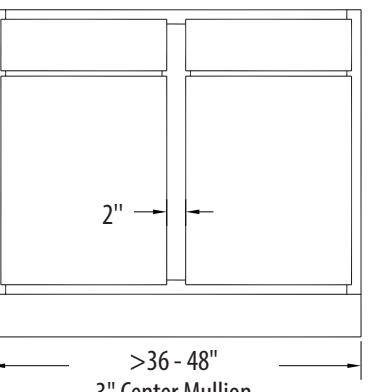
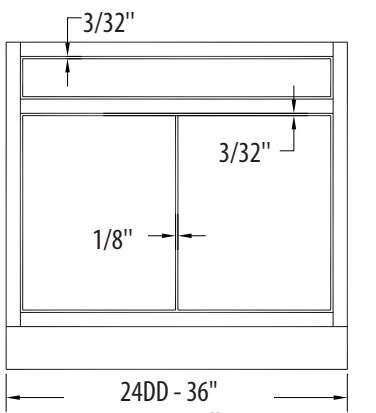
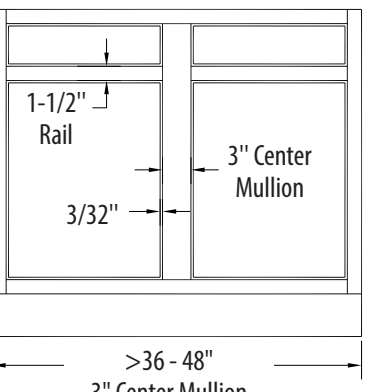
DRAWER GUIDES	
UMFEG-IM	Blum Under Mount Full-Extension with inMotion soft-close
Load capacity up to 90 lbs. (includes weight of drawer and drawer front)	

7   Hinges	
Doors 36" - <60" H will have three hinges	
Doors >60" H will have four hinges	

MODIFIED & TRADITIONAL OVERLAY HINGE OPTIONS	
Concealed	Blum 6-way adjustable, 1-piece, self-closing
Concealed-IM	Blum 6-way adjustable, 1-piece with inMotion soft-close
Hinge Note	Modified Overlay: 110° opening
	Traditional Overlay: 105° opening

INSET HINGE OPTIONS			
Concealed	Blum 110°, 6-way adjustable, 1-piece, self-closing		
Concealed-IM	Blum 6-way adjustable, 1-piece with inMotion soft-close		
Finial Ball	180° (not self-closing)		
Select Finial Ball color:	-BK (Black)	-PW (Pewter)	-SN (Sterling Nickel)

# Door Overlays




<b>Modified Overlay</b>	<b>Traditional</b>	<b>Inset</b>
 <p style="text-align: center;">24DD - 36" No Center Mullion</p>  <p style="text-align: center;">&gt;36 - 48" 3" Center Mullion</p>	 <p style="text-align: center;">24DD - 36" No Center Mullion</p>  <p style="text-align: center;">&gt;36 - 48" 3" Center Mullion</p>	 <p style="text-align: center;">24DD - 36" No Center Mullion</p>  <p style="text-align: center;">&gt;36 - 48" 3" Center Mullion</p>
<p><b>Modified</b> doors and fronts overlay the frame 1/2" on the top and bottom and 1-1/4" on each side, leaving a 1" reveal top and bottom, and a 1/4" reveal on each side of the face frame.</p>	<p><b>Traditional</b> doors and fronts overlay the cabinet frame 1/2" on each side, leaving a 1" reveal on the top, bottom and sides of the face frame.</p>	<p><b>Inset</b> doors and fronts do not overlay face frame. They are set between stiles and rails of frame, flush with front. The gap between doors or fronts and face frame is 3/32" on all sides.</p>

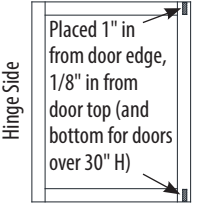
## Cabinet, Door and Drawer Options & Pricing

Cabinet Box Options			Door Options			Drawer Box Options		
BOX MATERIAL (MSRP/cabinet)			DOOR EDGE DETAILS			BOX MATERIAL (MSRP/drawer)		
\$0	PBD	Particleboard	\$0	A, B, D, G, H, L, M, N, S, Standard		\$0	SWD	1/2" solid wood
\$119	PLY	Plywood	HINGE SELECTIONS			\$102	HWDWR	5/8" hardwood
<i>PLY Note</i>		Plywood box required for Sapele & Black Walnut. Standard up-charges apply.	\$0	Finial Ball	Inset only	GUIDES		
INTERIOR (PBD & PLY)			\$0	Concealed	Inset, Modified, & Traditional overlays	\$0	UMFEG-IM	Blum Under Mount Full-Extension with inMotion soft-close
\$0	WHTV	White Vinyl	Concealed-IM with inMotion soft-close not available on the following cabinets: WCC, WCCS, FBCC, FBCC_LS, FBCC_RC, FBCC_SS, LS, VB, VL					
\$0	WGL	Woodgrain Laminate						



# Inset and Beaded Inset Notes

Pricing	
10%	Inset
15%	Beaded Inset
Beaded Inset	
Unless otherwise noted, Beaded Inset follows the same rules and guidelines as regular Inset	
Adjustable shelves with 1-1/2" self-edge will receive Double Beaded Edge (SEDB) up-charge	\$136 MSRP per box
Doors	
See individual door style pages for availability	
Door size will be 3/16" less than frame opening size. This provides a 3/32" reveal around all sides of the door and drawer front, which allows adjustment capability and expansion.	
Edge Details	
  	or Standard
Finishes	
Available	All Standard finishes & Enhancements
Not Available	Artisan 3 & 5
Face Frame	
Construction is typical of our framed cabinets	
The inside edge of all openings is a 1/8" radius, regardless of the door edge detail	
Beaded face frames feature a bead around the inside perimeter of all cabinet openings	
Cabinets over 36" wide will have a 3" fixed center mullion	
<i>Construction Note</i>	Face Frame stile(s) increase on hinged side of cabinet to accommodate size of Concealed Inset Hinge Plate for following cabinet types:
	_AE (Angled End)      _EA (End Angle)
	_TC (Transition)      _AB (Angle Back)
	<b>WAB:</b> when hinged on transition side, door size will decrease and will be slab
Packaging	
Cartoning required; face wrap packaging is not allowed	

Hinges & Magnetic Catches			
"Hinge Type" Selections	Self-closing 110° opening	Concealed	\$0
		Concealed-IM	\$29
	Finial Ball 170° opening (not self-closing)	-BK (Black)	\$0
		-PW (Pewter)	\$0
		-SN (Sterling Nickel)	\$0
All doors, regardless of hinge type, receive tan magnetic catches 2" long x 11/16" wide			
Modification Notes			
IDIB	Installed Drawer Ironing Board: slab drawer front only		
BB	Breadboard cabinets will not receive knife drawer		
NAD	Non-Active Door, an integral end options, is available to finish cabinet ends with an inset door and panel (see Accessories pg A-36)		
Roll-outs			
All roll-outs are shelf-mounted		Size and ordering info: pg A-46	
Cabinets Not Available With Inset			
Cabinets under 12" W		21" W DD (Double Door) styles	
Cabinets with Finial Ball hinge under 15"H			
WALL			
W-LS (Wall Lid Stay)		HMA   HMB   HMC	
W-VB (Wall Vertical Bifold)		(Mantel Hoods)	
BASE (B)   FULL BASE (FB)			
B18RC   FB18RC (Recycle Center)		BSC-HR   FBSC-HR (Sq. Corner/Half Round Trays)	
BSC-OPT   FBSC-OPT (Sq. Corner/Chrome Optimizer)		BCC2D   BCC3D   BCC4D (Corner Drawer)	
VANITY (V)   FULL VANITY (FV)			
VGH   FVH   FVGH   FVMH   FV_H   FV_H_BM (White Wire & Bottom Mount Hampers)			
HOME OFFICE			
VP   MP   BP (Printer Cabinet with Doors)			



# General Wood Species Characteristics

Wood components used in cabinetry are a product of nature and include a variety of species with various densities, colors and grain patterns. Color variation within a wood species is influenced by a number of factors such as moisture and mineral content of the soil, exposure to sunlight and genetic makeup. The tree diameter and type of cut determines growth ring size and orientation, which in turn affects the grain pattern and color.

A range of grain patterns and colors may appear on the same panel, and adjacent door and drawer fronts may not match each other. These are natural characteristics of wood and are not considered a defect.

## Rustic Woods - Rustic Alder, Rustic Beech, Rustic Hickory, Rustic Maple

No single door or front perfectly matches another. The look is created by a blend of cabinets, each with its own unique characteristics. Creating this overall appearance on a single sample is not possible, so we recommend viewing as large a sampling as possible.

- Characteristics represented: mineral streaks, burlled grains, natural color variations, grain variations, naturally occurring cracks, grain roughness and knots
- Open knots (up to 1/2") are acceptable, but they must be structurally sound, and may not have sharp edges that can create a hazard for end user
- Presence of Rustic characteristics cannot be guaranteed on each piece, or as part of every cabinet. Rustic product contains natural attributes of the wood species, so quantity, size, placement, and color of characteristics will vary.

Individual characteristics may not be specified on an order, and their consistency (or lack of) is not considered cause for replacement. Doors, drawer fronts, Finished Furniture Ends, Finished Furniture Backs and Panel Ends are only components that will be Rustic.

- All veneer panels and mouldings will be manufactured using clear material
- Cabinet accessories and components of 3/4" sheet-stock will be produced using clear material (Examples: letter organizers, end shelf cabinets, range hoods, valances, and finished interiors)

### Maple (MAP)

A stiff, strong, heavy wood. **Grain patterns:** tight and uniform with a smooth surface. **Characteristics:** burl grain, pin knots, heartwood stains, mineral streaks, tiger stripes, caramelizing. **Color:** nearly white to yellow, pink, light purple and slightly reddish brown. **Note:** Natural resins cause Maple to turn yellow or amber over time. Exposure to sun or natural light speeds up this process. (More obvious with light-colored stains or clear finishes.)

### Cherry (CHE)

Moderate in hardness, weight and strength. **Grain patterns:** fine to medium, with a relatively smooth surface. **Characteristics:** mineral streaking, pin knots, gum spots, sapwood. **Color:** off-white to light red to dark reddish brown. Greenish hue may be seen when finished Natural. **Note:** Exposure to sun or natural light causes Cherry to darken. Color changes over time can be dramatic, and will be enhanced with light or clear finishes.

### Alder (ALD)

Moderately light, somewhat soft hardwood grown primarily in the Northwest. **Grain patterns:** minimal, with a smooth surface. **Characteristics:** pin knots, grain "fuzz", mineral streaks. **Color:** very white to tan and pale pinkish brown. Clear, light stain colors accentuate differences.

### Beech (BCH)

Strong hardwood with excellent durability. **Grain patterns:** "closed." **Characteristics:** small flecks, mineral streaks. **Color:** light tan to light brown. Darker stains tend to subdue flecks, though grain patterns may be more apparent. **Note:** Pre-drilling recommended before hand-nailing or inserting screws.

### Hickory (HIC)

Very heavy, hard and dense. **Grain patterns:** bold, prominent and irregular. **Color:** extreme variations (often in a single board) from nearly white to dark brown. **Characteristics:** burls, water stains, mineral streaks, sound knots. **Note:** Pre-drilling recommended before hand-nailing or inserting screws.

### Red Oak (OAK)

Dense, heavy wood, very hard and stiff. **Grain patterns:** open and prominent. **Characteristics:** mineral streaks, mineral stains, sap stain, ray flecks, pin or closed (sound) knots. **Color:** light tan to grey, dark brown, and pink to medium red-brown.

### Black Walnut (BWL)

Very durable hardwood with a rich smooth grain. **Characteristics:** Grain patterns range from straight to irregular, with a natural luster. **Color:** Ranges from dark chocolate to lighter browns and blond or white sapwood. For a natural look choose Toffee stain, which minimizes contrast between dark and light color variations.

### Sapele (SAP)

African hardwood prized for its colors, grain patterns and strength. **Characteristics:** interlocking, fine textured, luminous grain that frequently changes direction. When quarter-sawn, produces a "ribbon" striped pattern. **Color:** ranges from light brown to medium brown tones.

All woods change color over time. The amount of change varies depending on wood species, type of cut, exposure to natural light, and amount and color of stain pigment used. While color samples give a general idea of the appearance of a specific stain color and wood species combination, it is impossible to represent all grain patterns, wood and stain colors, and natural variations that will occur. Because of this, we recommend viewing the largest sample possible before final species and color selection.

# Door Style – Quick Selection Guide

Page #	Door Style	Price Point	Type		Page #	Door Style	Price Point	Type
	Box Only	C0	-		G-42	Duet Solid	C15	M&T
<b>AM – Applied Moulding</b>					G-43	Emerson	C14	M&T
<b>LAM – Laminate</b>					G-44	Equinox	C9	M&T
<b>M – Mitered</b>					G-45	Equinox Solid	C12	M&T
<b>M&amp;T – Mortise &amp; Tenon</b>					G-46	Fairfax	C15	M
<b>SW – Solid Wood</b>					G-47	Falmouth	C14	M
<b>TH – Thermofoil</b>					G-48	Falmouth Solid	C15	M
<b>WV – Wood Veneer</b>					G-49	Galloway	C13	M
					G-50	Galloway Solid	C15	M
G-19	Aberdeen	C14	M&T		G-51	Garrison	C16	M
G-111	Alpine	C2	LAM		G-52	Gettysburg	C15	AM
G-20	Athens	C10	M&T		G-53	Gettysburg Solid	C16	AM
G-21	Athens Roman	C10A	M&T		G-104	Glacier Bay	C4	TH
G-22	Belmont	C14	M		G-105	Glacier Bay Roman	C4A	TH
G-23	Belmont Solid	C15	M		G-100	Halifax	C9	WV
G-24	Brentwood	C9	M&T		G-101	Halifax Plycore	C9	WV
G-25	Brentwood Solid	C12	M&T		G-54	Hampton	C5	M
G-26	Brentwood Roman	C9A	M&T		G-102	Hanover	C12	WV
G-27	Brentwood Roman Solid	C12A	M&T		G-55	Houston	C13	M
G-28	Canterbury	C12	M&T		G-56	Houston Solid	C5	M
G-29	Cape Cod Solid	C15	M&T		G-57	Kennedy	C14	M
G-30	Carlsbad	C9	M&T		G-58	Kennedy Solid	C15	M
G-31	Carlsbad Solid	C12	M&T		G-59	Kingston Solid	C16	M&T
G-32	Catalina	C16	M&T		G-106	Lancaster	C14	TH
G-33	Charleston	C15	M		G-60	Legend	C7	M&T
G-34	Chatham	C14	M		G-61	Legend Roman	C7A	M&T
G-35	Chatham Solid	C15	M		G-62	Lynden	C12	M&T
G-36	Concord	C13	M		G-63	Lynden Solid	C14	M&T
G-37	Concord Solid	C5	M		G-64	Monterey	C14	M&T
G-97	Copenhagen	C11	SW		G-65	Monticello	C15	AM
G-38	Cortina	C12	M&T		G-66	Monticello Solid	C16	AM
G-39	Cortina Solid	C14	M&T		G-67	Mount Vernon	C16	AM
G-40	Coventry	C5	M		G-68	Newport	C5	M
G-98	Dover	C7	WV		G-69	Normandy	C10	M&T
G-99	Dover Plycore	C7	WV		G-70	Normandy Solid	C12	M&T
G-41	Duet	C14	M&T		G-71	Norwood	C13	M

# Door Style – Quick Selection Guide

Page #	Door Style	Price Point	Type
G-72	Norwood Solid	C5	M
G-73	Prescott Solid	C16	M
G-103	Princeton	C9	SW
G-74	Quattro	C14	M&T
G-75	Quattro Solid	C15	M&T
G-76	Quincy	C14	M
G-77	Quincy Solid	C15	M
G-78	Ridgecrest	C14	M&T
G-79	Roanoke	C14	M
G-80	Roanoke Solid	C15	M
G-81	Shaker Traditional	C7	M&T
G-82	Shaker	C9	M&T
G-83	Shaker Solid	C12	M&T
G-84	Shaker Center	C12	M&T
G-85	Shaker Center Solid	C14	M&T
G-86	Shalimar	C12	M&T
G-87	Shalimar Roman	C12A	M&T
G-107	Silhouette	C4	TH
G-88	Springwood	C16	AM
G-89	Stratford	C12	M&T
G-90	Stratford Roman	C12A	M&T
G-91	Trio	C14	M
G-92	Trio Solid	C15	M
G-108	Tuscany	C5	TH
G-93	Valley Forge	C12	M&T
G-94	Valley Forge Solid	C14	M&T
G-95	Windsor	C12	M&T
G-96	Windsor Roman	C12A	M&T
G-109	Winterset	C13	TH
G-110	Winterset Roman	C13A	TH

# Door Style Selection by Wood Species

Door Style	Door & Frame Species												Drawer Fronts		Overlays			
	Maple	Cherry	Alder	Beech	Hickory	Red Oak	Sapele	Black Walnut	Rustic Maple	Rustic Alder	Rustic Beech	Rustic Hickory	Slab	DFMD	Modified	Inset	Beaded Inset	Traditional
Aberdeen	✓	✓	✓	✓	✓	✓	✓	✓	✓	✓	✓	✓	✓	✓	✓	✓	✓	-
Athens	✓	✓	✓	✓	✓	✓	-	-	✓	✓	✓	✓	✓	✓	-	-	-	✓
Athens Roman	✓	✓	✓	✓	✓	✓	-	-	✓	✓	✓	✓	✓	✓	-	-	-	✓
Belmont	✓	✓	✓	✓	✓	✓	-	-	-	-	-	-	✓	✓	✓	✓	✓	-
Belmont Solid	✓	✓	✓	✓	✓	✓	✓	-	✓	✓	✓	✓	✓	✓	✓	✓	✓	-
Brentwood	✓	✓	✓	✓	✓	✓	-	-	-	-	-	-	✓	✓	✓	✓	✓	-
Brentwood Solid	✓	✓	✓	✓	✓	✓	✓	✓	✓	✓	✓	✓	✓	✓	✓	✓	✓	-
Brentwood Roman	✓	✓	✓	✓	✓	✓	-	-	-	-	-	-	✓	✓	✓	✓	✓	-
Brentwood Rom. Solid	✓	✓	✓	✓	✓	✓	✓	-	✓	✓	✓	✓	✓	✓	✓	✓	✓	-
Canterbury	✓	✓	✓	✓	✓	✓	✓	✓	✓	✓	✓	✓	✓	✓	✓	✓	✓	-
Cape Cod Solid	✓	✓	✓	✓	✓	✓	✓	-	✓	✓	✓	✓	✓	✓	✓	✓	✓	-
Carlsbad	✓	✓	✓	✓	✓	✓	-	-	-	-	-	-	✓	✓	✓	✓	✓	-
Carlsbad Solid	✓	✓	✓	✓	✓	✓	✓	✓	✓	✓	✓	✓	✓	✓	✓	✓	✓	-
Catalina	✓	✓	✓	✓	✓	✓	-	-	-	-	-	-	✓	-	✓	✓	✓	-
Charleston	✓	✓	✓	✓	✓	✓	✓	-	✓	✓	✓	✓	✓	✓	✓	✓	✓	-
Chatham	✓	✓	✓	✓	✓	✓	-	-	-	-	-	-	✓	✓	✓	✓	✓	-
Chatham Solid	✓	✓	✓	✓	✓	✓	✓	-	✓	✓	✓	✓	✓	✓	✓	✓	✓	-
Concord	✓	✓	✓	✓	✓	✓	-	-	-	-	-	-	✓	✓	✓	✓	✓	-
Concord Solid	✓	✓	✓	✓	✓	✓	✓	-	✓	✓	✓	✓	✓	✓	✓	✓	✓	-
Copenhagen	✓	✓	✓	✓	✓	✓	✓	✓	-	-	-	-	✓	-	✓	-	-	-
Cortina	✓	✓	✓	✓	✓	✓	-	-	-	-	-	-	✓	✓	✓	✓	✓	-
Cortina Solid	✓	✓	✓	✓	✓	✓	✓	✓	✓	✓	✓	✓	✓	✓	✓	✓	✓	-
Coventry	✓	✓	✓	✓	✓	✓	✓	-	✓	✓	✓	✓	✓	✓	✓	✓	✓	-
Dover	✓	✓	-	✓	✓	✓	-	-	-	-	-	-	✓	-	✓	-	-	-
Dover Plycore	✓	✓	✓	✓	✓	✓	✓	-	-	-	-	-	✓	-	✓	-	-	-
Duet	✓	✓	✓	✓	✓	✓	-	-	-	-	-	-	✓	✓	✓	✓	✓	-
Duet Solid	✓	✓	✓	✓	✓	✓	✓	-	✓	✓	✓	✓	✓	✓	✓	✓	✓	-
Emerson	✓	✓	✓	✓	✓	✓	✓	✓	✓	✓	✓	✓	✓	✓	✓	✓	✓	-
Equinox	✓	✓	✓	✓	✓	✓	-	-	-	-	-	-	✓	✓	✓	✓	✓	-
Equinox Solid	✓	✓	✓	✓	✓	✓	✓	✓	✓	✓	✓	✓	✓	✓	✓	✓	✓	-
Fairfax	✓	✓	✓	✓	✓	✓	✓	-	✓	✓	✓	✓	✓	✓	✓	✓	✓	-

# Door Style Selection by Wood Species

Door Style	Door & Frame Species												Drawer Fronts		Overlays			
	Maple	Cherry	Alder	Beech	Hickory	Red Oak	Sapele	Black Walnut	Rustic Maple	Rustic Alder	Rustic Beech	Rustic Hickory	Slab	DFMD	Modified	Inset	Beaded Inset	Traditional
Falmouth	✓	✓	✓	✓	✓	✓	-	-	-	-	-	-	✓	✓	✓	✓	✓	-
Falmouth Solid	✓	✓	✓	✓	✓	✓	✓	-	✓	✓	✓	✓	✓	✓	✓	✓	✓	-
Galloway	✓	✓	✓	✓	✓	✓	-	-	-	-	-	-	✓	✓	✓	-	-	-
Galloway Solid	✓	✓	✓	✓	✓	✓	✓	-	✓	✓	✓	✓	✓	✓	✓	-	-	-
Garrison	✓	✓	✓	✓	✓	✓	✓	-	✓	✓	✓	✓	✓	✓	✓	✓	✓	-
Gettysburg	✓	✓	✓	✓	✓	✓	-	-	-	-	-	-	✓	✓	✓	✓	✓	-
Gettysburg Solid	✓	✓	✓	✓	✓	✓	✓	-	✓	✓	✓	✓	✓	✓	✓	✓	✓	-
Halifax	✓	✓	-	✓	✓	✓	-	-	-	-	-	-	✓	-	✓	-	-	-
Halifax Plycore	✓	✓	-	✓	✓	✓	✓	-	-	-	-	-	✓	-	✓	-	-	-
Hampton	✓	✓	✓	✓	✓	✓	✓	-	✓	✓	✓	✓	✓	✓	✓	✓	✓	-
Hanover	✓	✓	✓	✓	-	✓	-	-	-	-	-	-	✓	-	✓	-	-	-
Houston	✓	✓	✓	✓	✓	✓	-	-	-	-	-	-	✓	✓	✓	✓	✓	-
Houston Solid	✓	✓	✓	✓	✓	✓	✓	-	✓	✓	✓	✓	✓	✓	✓	✓	✓	-
Kennedy	✓	✓	✓	✓	✓	✓	-	-	-	-	-	-	✓	✓	✓	✓	✓	-
Kennedy Solid	✓	✓	✓	✓	✓	✓	✓	-	✓	✓	✓	✓	✓	✓	✓	✓	✓	-
Kingston Solid	✓	✓	✓	✓	✓	✓	✓	-	✓	✓	✓	✓	✓	✓	✓	✓	✓	-
Legend	✓	✓	✓	✓	✓	✓	-	-	-	-	-	-	✓	✓	-	-	-	✓
Legend Roman	✓	✓	✓	✓	✓	✓	-	-	-	-	-	-	✓	✓	-	-	-	✓
Lynden	✓	✓	✓	✓	✓	✓	-	-	-	-	-	-	✓	✓	✓	✓	✓	-
Lynden Solid	✓	✓	✓	✓	✓	✓	✓	✓	✓	✓	✓	✓	✓	✓	✓	✓	✓	-
Monterey	✓	✓	✓	✓	✓	✓	✓	✓	✓	✓	✓	✓	✓	✓	✓	✓	✓	-
Monticello	✓	✓	✓	✓	✓	✓	-	-	-	-	-	-	✓	✓	✓	✓	✓	-
Monticello Solid	✓	✓	✓	✓	✓	✓	✓	-	✓	✓	✓	✓	✓	✓	✓	✓	✓	-
Mount Vernon	✓	✓	✓	✓	✓	✓	✓	-	✓	✓	✓	✓	✓	✓	✓	✓	✓	-
Newport	✓	✓	✓	✓	✓	✓	✓	-	✓	✓	✓	✓	✓	✓	✓	✓	✓	-
Normandy	✓	✓	✓	✓	✓	✓	-	-	-	-	-	-	✓	✓	✓	✓	✓	-
Normandy Solid	✓	✓	✓	✓	✓	✓	✓	-	✓	✓	✓	✓	✓	✓	✓	✓	✓	-
Norwood	✓	✓	✓	✓	✓	✓	-	-	-	-	-	-	✓	✓	✓	✓	✓	-
Norwood Solid	✓	✓	✓	✓	✓	✓	✓	-	✓	✓	✓	✓	✓	✓	✓	✓	✓	-
Prescott Solid	✓	✓	✓	✓	✓	✓	-	-	✓	✓	✓	✓	✓	✓	✓	✓	✓	-
Princeton	✓	✓	✓	✓	✓	✓	-	-	-	-	-	-	✓	-	-	-	-	✓

# Door Style Selection by Wood Species

Door Style	Door & Frame Species												Drawer Fronts		Overlays			
	Maple	Cherry	Alder	Beech	Hickory	Red Oak	Sapele	Black Walnut	Rustic Maple	Rustic Alder	Rustic Beech	Rustic Hickory	Slab	DFMD	Modified	Inset	Beaded Inset	Traditional
Quattro	✓	✓	✓	✓	✓	✓	-	-	-	-	-	-	✓	✓	✓	✓	✓	-
Quattro Solid	✓	✓	✓	✓	✓	✓	✓	-	✓	✓	✓	✓	✓	✓	✓	✓	✓	-
Quincy	✓	✓	✓	✓	✓	✓	-	-	-	-	-	-	✓	✓	✓	-	-	-
Quincy Solid	✓	✓	✓	✓	✓	✓	✓	-	✓	✓	✓	✓	✓	✓	✓	-	-	-
Ridgecrest	✓	✓	✓	✓	✓	✓	✓	✓	✓	✓	✓	✓	✓	✓	✓	✓	✓	-
Roanoke	✓	✓	✓	✓	✓	✓	-	-	-	-	-	-	✓	✓	✓	-	-	-
Roanoke Solid	✓	✓	✓	✓	✓	✓	✓	-	✓	✓	✓	✓	✓	✓	✓	-	-	-
Shaker	✓	✓	✓	✓	✓	✓	-	-	-	-	-	-	✓	✓	✓	✓	✓	✓
Shaker Solid	✓	✓	✓	✓	✓	✓	✓	✓	✓	✓	✓	✓	✓	✓	✓	✓	✓	-
Shaker Center	✓	✓	✓	✓	✓	✓	-	-	-	-	-	-	✓	✓	✓	✓	✓	-
Shaker Center Solid	✓	✓	✓	✓	✓	✓	✓	-	✓	✓	✓	✓	✓	✓	✓	✓	✓	-
Shalimar	✓	✓	✓	✓	✓	✓	✓	✓	✓	✓	✓	✓	✓	✓	✓	✓	✓	-
Shalimar Roman	✓	✓	✓	✓	✓	✓	✓	-	✓	✓	✓	✓	✓	✓	✓	✓	✓	-
Springwood	✓	✓	✓	✓	✓	✓	✓	-	✓	✓	✓	✓	✓	✓	✓	✓	✓	-
Stratford	✓	✓	✓	✓	✓	✓	✓	✓	✓	✓	✓	✓	✓	✓	✓	✓	✓	-
Stratford Roman	✓	✓	✓	✓	✓	✓	✓	-	✓	✓	✓	✓	✓	✓	✓	✓	✓	-
Trio	✓	✓	✓	✓	✓	✓	-	-	-	-	-	-	✓	✓	✓	-	-	-
Trio Solid	✓	✓	✓	✓	✓	✓	✓	-	✓	✓	✓	✓	✓	✓	✓	-	-	-
Valley Forge	✓	✓	✓	✓	✓	✓	-	-	-	-	-	-	✓	✓	✓	✓	✓	-
Valley Forge Solid	✓	✓	✓	✓	✓	✓	✓	✓	✓	✓	✓	✓	✓	✓	✓	✓	✓	-
Windsor	✓	✓	✓	✓	✓	✓	✓	✓	✓	✓	✓	✓	✓	✓	✓	✓	✓	-
Windsor Roman	✓	✓	✓	✓	✓	✓	✓	-	✓	✓	✓	✓	✓	✓	✓	✓	✓	-

## Door Style Selection – Laminate & Thermofoil

Door Style	Door & Frame Species						Drawer Fronts		Overlays	
	Maple	Cherry	Alder	Beech	Hickory	Oak	Slab	DFMD	Modified	Traditional
<b>Laminate Doors</b>										
Alpine	✓	✓	✓	✓	✓	✓	✓	-	✓	-
<b>Thermofoil Doors</b>										
Glacier Bay	<ul style="list-style-type: none"> <li>• Thermofoil doors are available White or Crème</li> <li>• Cabinet frames and wood mouldings are painted (solid) wood</li> <li>• Tight grain woods such as Maple are typically used</li> <li>• Base coat contains high solids therefore hairline fractures may appear at joints (This is a natural occurrence that results from expansion &amp; contraction of wood &amp; is not considered a defect)</li> <li>• No up-charge for painted accessories on Thermofoil orders</li> </ul>						✓	✓	✓	-
Glacier Bay Roman							✓	✓	✓	-
Lancaster							✓	✓	✓	-
Silhouette							✓	-	✓	-
Tuscany							✓	✓	✓	-
Winterset							✓	✓	✓	-
Winterset Roman							✓	✓	✓	-

# Stain & Paint Colors by Wood Species

STAIN COLORS	Abbreviation	Maple	Cherry	Alder	Beech	Hickory	Red Oak	Rustic Maple	Rustic Alder & Rustic Beech	Rustic Hickory	Black Walnut	Sapele	GLOSS		
													Standard	Matte	Lo-Luster
Caraway	CRW	0%	0%	0%	0%	0%	0%	0%	0%	0%	0%	0%	✓	✓	✓
Cayenne	CAY	0%	0%	0%	0%	0%	0%	0%	0%	0%	0%	0%	✓	✓	✓
Charcoal	CHA	0%	-	-	-	-	-	0%	-	-	-	-	✓	✓	✓
Chicory	CHI	0%	0%	0%	0%	0%	0%	0%	0%	0%	0%	0%	✓	✓	✓
Cinnamon	CIN	0%	0%	0%	0%	0%	0%	0%	0%	0%	0%	0%	✓	✓	✓
Dune	DUN	0%	0%	0%	0%	0%	0%	0%	0%	0%	0%	0%	✓	✓	✓
Ebony	EBY	5%	-	-	-	-	5%	5%	-	-	-	-	-	✓	✓
Espresso	ESP	0%	0%	0%	0%	0%	0%	0%	0%	0%	0%	0%	✓	✓	✓
Graphite	GRP	0%	0%	0%	0%	0%	0%	0%	0%	0%	0%	0%	✓	✓	✓
Hazelnut	HAZ	0%	0%	0%	0%	0%	0%	0%	0%	0%	0%	0%	✓	✓	✓
Honey	HON	0%	0%	0%	0%	0%	0%	0%	0%	0%	0%	0%	✓	✓	✓
Java	JAV	0%	0%	0%	0%	0%	0%	0%	0%	0%	0%	0%	✓	✓	✓
Kona	KON	0%	0%	0%	0%	0%	0%	0%	0%	0%	0%	0%	✓	✓	✓
Natural	NAT	0%	0%	0%	0%	0%	0%	0%	0%	0%	-	0%	✓	✓	✓
Pecan	PEC	0%	0%	0%	0%	0%	0%	0%	0%	0%	0%	0%	✓	✓	✓
Sable	SAB	0%	0%	0%	0%	0%	0%	0%	0%	0%	0%	0%	✓	✓	✓
Sea Drift	SEA	0%	0%	0%	0%	0%	0%	0%	0%	0%	0%	-	✓	✓	✓
Sealer Only	SLO	0%	0%	0%	0%	0%	0%	0%	0%	0%	-	-	✓	✓	✓
Shadow	SHW	0%	-	-	-	-	-	0%	-	-	-	-	✓	✓	✓
Toffee	TOF	0%	0%	0%	0%	0%	0%	0%	0%	0%	0%	0%	✓	✓	✓
Unfinished	UNF	0%	0%	0%	0%	0%	0%	0%	0%	0%	0%	0%	-	-	-

## CURATED COLLECTION PAINTS & PICK YOUR PAINT: Maple, Red Oak and HDF\* only

Ash	ASP	10%	Fog	FOG	10%	Olive	OLI	10%	<p style="text-align: center;">Pick Your Paint</p> <p style="text-align: center;">See Notes Below</p> <p style="text-align: center;">PYP      20%</p>	<p style="text-align: center;">All paints available in Standard, Matte or Lo-Luster gloss options</p>
Black	BLK	10%	Frosty White	FWP	10%	Sage	SAG	10%		
Breeze	BRE	10%	Granite	GRA	10%	Sand	SND	10%		
Cardinal	CRD	10%	Icing	ICI	10%	Smoke	SMP	10%		
Chambray	CHM	10%	Ivory	IVP	10%	Snowcap	SCP	10%		
Cornsilk	CSK	10%	Mist	MST	10%	Summer Cloud	SMC	10%		
Crème	CPT	10%	Mojave	MOJ	10%	Thunder	THU	10%		
Eggshell	EGG	10%	Navy	NAV	10%	White	WPT	10%		

\*HDF: Copenhagen door style only

### Custom Color Match

Want a color outside of our standard offerings? No problem, our color match program can meet your needs - see details on CCM Request Form.

### Pick Your Paint

We can match most retail paint colors in our lab. To order:

1. Mail or drop off retail paint chip to CCCC, Attn: Customer Care
2. Select "Paint" in the "Door Color Stain & Paint" field of the order form
3. Include in the Notes section of order form: Manufacturer name, color name and color code. (Ex. Pick Your Paint: Sherwin Williams, Extra White, SW7006)



# Finish Notes

Paint Information		Sealer Only & Unfinished		
Available Species/Materials	HDF (Copenhagen), Red Oak, Maple, Maple/MDF	Sealer Only	May be selected when painting is to take place outside of our factory	
Maple Doors	Center panels are MDF material		Not recommended if product is to be stained; sealer coat will prevent stain from penetrating into wood	
	Panel is maple when Pre-finish, Artisan or Sanding enhancements are ordered		Available with Artisan and Distressing options	
Doors Not Available Painted	Dover, Halifax, Hanover, Princeton	Unfinished	Not available on HDF material or with post-color finish enhancements or sanding	
	Copenhagen in Maple or Red Oak		Products are sanded prior to shipping; additional preparation may be required due to subsequent changes in moisture content of the wood	
Finish Enhancements	Not available with Artisan #4		Unfinished	Changes in moisture content can cause warping, cracking, splitting, spotting, and other undesirable effects
Gloss	Available with all gloss levels	We do not recommend the sale of "Unfinished" products as it lacks protection from changes in moisture content		
Bridging And Hairline Fractures	The high solids content of paint may cause bridging and hairline fractures to appear at joints. Both occur naturally with expansion and contraction of wood and are not considered a defect.	Unfinished	Not available on HDF material	
Aging	As paint ages a slight change in color may occur, mostly during the first month, and is not considered a product defect.		<b>WAIVED WARRANTY NOTE</b> Because we are not completing the finish process, we will not be liable for warranty claims involving materials supplied "Sealer Only" or "Unfinished." Customer assumes responsibility for all subsequent issues relating to the selection of "Sealer Only" or "Unfinished" product. <b>We make no representation of warranty, either written or implied, for these items.</b>	
Gloss Levels		Gloss Notes		
Standard	Sheen level 35% +/- 5%	UV Inhibitors	All gloss levels contain UV inhibitors that reduce (not eliminate) discoloration from prolonged exposure to natural light. The presence of certain conditions (such as large windows with southern exposure, or direct exposure to the sun) will increase the intensity of ultraviolet rays and discolor the finish.	
Matte	Sheen level 15% +/- 5%		Performance	Physical properties and application process remain the same for all gloss levels, there is no difference in performance between selections
Lo-Luster	Sheen level 5%		Samples	Sample gloss board is available; order 3SHEENBRD
Sheen	Gloss level (or sheen) is determined by measuring the amount of light that reflects off a surface under prescribed conditions			

# Pre-Color Finish Enhancements - Distressing & Artisan Packages

## Distressing (+5%)

- Random nicks and cuts are hand-placed on the surface to create a well-used, or aged look. Amount, placement and severity of Distress marks are random and may be inconsistent from one piece to the next.
- Distress marks are usually more evident on softer woods, and those with smooth, tight grain patterns. Distress marks on veneer panels tend to be less severe than those on solid wood. Distressing is applied to all finished

wood surfaces, except the back of doors and fronts. Glazing will “hang up” in Distress marks. Highlighting is not applied to flat surfaces where Distress marks are prevalent.






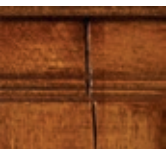


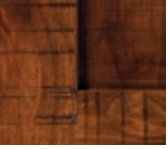

- **The 5% premium for Distressing is in addition to species, stain color, finish enhancement and Artisan up-charges. It is applied to cabinets as well as accessories and modifications that are species-sensitive.**

## Artisan Packages

- Unique combinations of hand-applied distressing techniques which simulate old world craftsmanship and vintage aging
- Available on wood door styles with solid wood raised or solid wood recessed panels
- We recommend that Glazing, Patina or Antiquing be ordered with Artisan packages (Glazing and Antiquing price not included)
- Applied to: doors, fronts, Finished End doors, Finished Furniture Ends and Backs, and Appliance Door Panels
- Not applied to: back of doors and fronts, cabinet frames, Finished Ends, finished interiors (FMI), open cabinets or shelves, panels, mouldings and other finished wood accessories
- We suggest adding standard Distressing to Inset and Beaded Inset orders, and orders with numerous open cabinets to blend Artisan and non-Artisan

components. Combining distressing techniques from different packages is not allowed.

- Because of the variable appearances created by numerous combinations of door style, species, stain color, Glazing or Patina color and Artisan options, it is strongly recommended that a sample door be viewed prior to placing an order. Samples are only a representation of characteristics that occur when a package is selected, and actual product may vary from sample, and from piece to piece.
- **The premium for Artisan Packages is in addition to species, stain color, finish enhancement and Distressing up-charges. It is applied to cabinets as well as accessories and modifications that are species-sensitive.**
- **Note:** Artisan packages #4 and #5 require a six week lead time

 <p><b>Chisel Marks</b> • “V” shaped marks at random angles</p>	 <p><b>Screw Marks</b> • Screw edge (3/4" max.) at random angles</p>	 <p><b>Dings</b> • Dents and dings of random size and shape</p>
 <p><b>Worm Holes</b> • 3-5 small, elliptical holes to mimic the timber worm</p>	 <p><b>Worm Hole Cluster</b> • Large groups of worm holes may spread across stiles and rails to panels</p>	 <p><b>Cracks</b> • Simulated stress or drying cracks located at end of panel, stile or rail • Min. 3/door &amp; 1-2/front</p>
 <p><b>Scarring</b> • Gouged areas randomly placed across entire door • Min. 3/door</p>	 <p><b>Carved Edges</b> • Random carving on interior and exterior of stiles and rails, and on exposed edges of raised panels • Not available with Inset or Beaded Inset doors • Not available on outside edge details</p>	 <p><b>Re-Sawn</b> • Saw cuts run perpendicular to grain direction of each part in an inconsistent pattern • Not available: Applied Moulding, Mitered or Veneer Doors • Not available with paint</p>
 <p><b>Worn Edges</b> • Raised corners and edges randomly sanded • Heavier at corners &amp; inconsistent on edges of stiles and rails</p>		

# Pre-Color Finish Enhancements - Artisan Packages



**ARTISAN PACKAGE 1 Add 7%**

- Chisel Marks
- Dings
- Screw Marks



**ARTISAN PACKAGE 2 Add 7%**

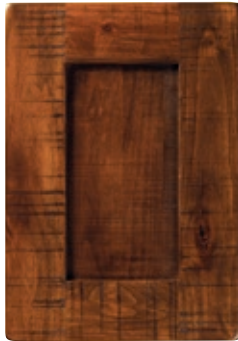
- Worm Holes
- Cracks
- Worn Edges



**ARTISAN PACKAGE 3 Add 14%**

- Carved Edges
- Dings
- Chisel Marks
- Cracks

Not available with Inset overlay



**ARTISAN PACKAGE 4 Add 15%**

- Re-Sawn
- Worn Edges

ARTISAN 4 AVAILABLE IN THE FOLLOWING SOLID DOOR STYLES ONLY:	
Brentwood Solid	Quattro Solid
Brentwood Roman Solid	Shaker Solid
Carlsbad Solid	Shaker Center Solid
Duet Solid	Valley Forge Solid
AVAILABLE EDGE DETAILS:	
H, S	

**Note:** Artisan packages #4 and #5 require a six week lead time



**ARTISAN PACKAGE 5 Add 15%**

- Carved Edges
- Screw Marks
- Chisel Marks
- Worn Edges
- Cracks
- Worm Hole Clusters
- Scarring

Not available with Inset overlay

# Post-Color Finish Enhancements

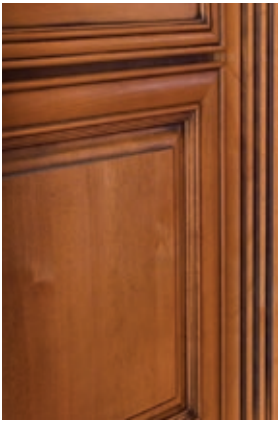
Many factors determine the final appearance of products with finish enhancements, such as door style, edge detail, wood species, and stain/finish enhancement selections. Enhancements are applied by hand, so the amount, density and strength of each enhancement will vary from one piece to the next.

The wide range of options combine with the technique of the individual applying the finish enhancement to create a look that is truly unique.

Samples are only a representation of the general characteristics that occur when a specific door style, wood species and finish enhancement(s) are chosen, and actual product may vary from the sample viewed.

**Premiums for finish enhancements are in addition to all other up-charges (species, color and distressing). Enhancements are applied to all cabinets, accessories and modifications that are species-sensitive.**

**We strongly recommend that a sample door be viewed prior to placing an order**



## **Glaze (+10%) – Chocolate, Licorice, Pewter, Suede or Vanilla**

- Glaze material is flooded over surface, hand-wiped to create an aged or antiqued look unique to each piece, then sealed with a topcoat. Glaze “hang up” will be heavier on styles with sharp crevices in panel or edge details, and in Distress marks.
- Woods with open grain, such as Red Oak and Hickory, will retain more Glaze material, which accentuates the grain pattern
- Styles with smooth, sloping, or rounded details, and woods with tight grains, such as Maple, Cherry, Alder and Beech retain very little Glaze material
- Glaze may not be visible on flat surfaces  
Glaze can be somewhat transparent, therefore we do not recommend combining Glazes with similar colored stains and paint colors
- The addition of Glaze may alter the base color, so we strongly recommend obtaining a sample in the exact style, species, stain and Glaze color
- Not available with Ebony, Sealer Only or Unfinished
- Vanilla Glaze is not available with Cornsilk, Crème, Sand and White paints.



## **Antiqued (+10%) – Chocolate**

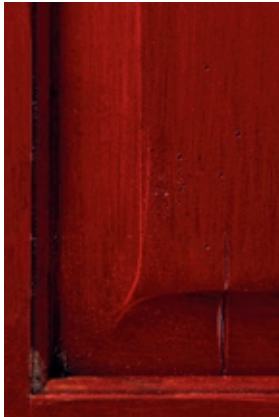
- Muted brown brush strokes applied in direction of wood grain result in a look common with painted antiques
- May include slightly curved brush strokes, “cross-hatching” where wood grain changes direction, buildup and swirls at end of the brush stroke, and general inconsistencies in level of Antiqued material
- All finished wood surfaces, except backs of doors and fronts will be Antiqued
- **Antiqued is available on paint colors only**
- Available with Artisan and Distressing
- Not available with any stain
- Not available with Glazing, Highlighting or Patina

# Post-Color Finish Enhancements



## Highlighting (+15%) – Chocolate, Licorice, Pewter, Suede or Vanilla

- Highlighting material is airbrushed directly into detailed areas of doors, fronts, mouldings and Beaded Inset face frames
- Highlighting does not change base stain color dramatically, as it is not applied to flat surfaces
- Areas that will not receive Highlighting are: Artisan and Distress marks, finished interiors and ends (except beaded), panels, door backs, and surfaces that do not have detail
- Highlighting can be somewhat transparent, therefore we do not recommend combining Highlighting with similar colored stains and paint colors
- Every combination of Highlighting color, base color, door style, edge detail and species looks different so we strongly recommend obtaining a sample before ordering
- Not available with Ebony, Patina, Sealer Only or Unfinished
- Vanilla Highlighting is not available with Cornsilk, Crème, Sand and White paints



## Patina (+25%) – Licorice

- Glaze material is applied to the surface using a Chinese brush creating a heavy antiqued appearance
  - Does not have the "hang-up" appearance like standard glaze; remains on smooth surface
  - Woods with open grain, such as Red Oak and Hickory, retain more Patina, which accentuates the grain pattern
  - Visible brush strokes follow direction of wood grain
  - Applied to all finished wood surfaces, except back of doors and drawer fronts
  - Available on all species, stains and paints (not visible on Ebony or Black paint)
  - Not available with sealer only or unfinished material
  - Not available with Glaze, Highlighting, Burnishing or Antiquing
  - The addition of Patina will alter the base color to varying degrees, so we strongly recommend obtaining a sample in the exact style, species, stain and Patina color
  - Patina can be somewhat transparent, therefore we do not recommend combining with similar colored stains and paint colors
- Note:** Patina requires a six week lead time

# Post-Color Sanding

Premiums for post-color sanding are in addition to all other up-charges (Species, color and distressing)  
 Applied to all cabinets, accessories and modifications that are species-sensitive



## Burnished (No Charge)

- Wood is lightly sanded in random areas after stain is applied, revealing a portion of natural wood color
- All finished wood surfaces, except backs of doors and drawer fronts will be Burnished
- Available with Artisan and Distressing options
- Optional for Ebony stain only
- Only on Maple, Rustic Maple and Red Oak
- Not available with Glazing, Highlighting or Patina

## Sand-Thru Enhancements

- Applied to doors, drawer fronts and carved, turned and moulded wood accessories
- On doors and drawer fronts, location and intensity is random on outside corners, corners of raised panels, beads on beaded panels, inside and outside edges of stiles and rails and edges of raised panels
- Not applied to: finished ends, finished interiors (except beaded interior backs), panels, sheet goods and fillers
- Inset and Beaded Inset: inside edges of face frames will receive Sand-Thru enhancement
- May be combined with Pre-Color Distressing (Artisan Packages and Distressing) and Post-Color Finish Enhancements (Glazing, Highlighting, Antiquing or Patina)



## Sand-Thru to Wood (+15%)

- Sand-Thru to Wood depicts long-term wear through the finish to natural wood due to repetitive handling or rubbing
- Available with all finishes
- Not available on laminate or veneer doors
- Not available with Sand-Thru to Color



## Sand-Thru to Color (+20%)

- Sand-Thru to Color gives the appearance of the top coat of paint having worn through exposing a different color below
- Top finish is paint
- Available with all paint colors
- Stain is used for "exposed colors" (see chart for availability)
- Not available on Laminate, Solid Slab, Thermofoil or Veneer door styles
- Not available with Sand-Thru to Wood

### How to Order:

- Specify paint color
- Specify enhancement(s)
- Specify one stain color to expose

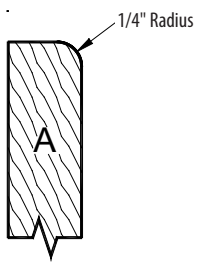

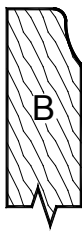

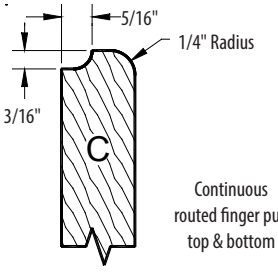

















### AVAILABLE STAIN COLORS

Caraway	Graphite
Cayenne	Java
Chicory	Kona
Espresso	





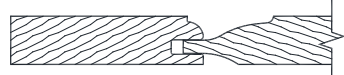


# Edge Details

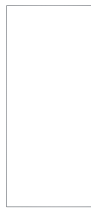
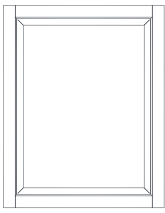
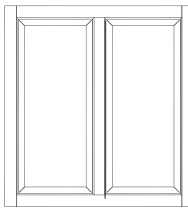
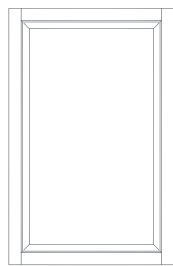
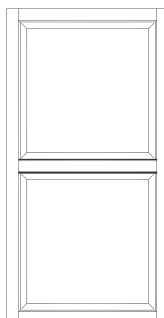
- Most door styles have multiple options for edge details (refer to individual door pages to determine edge detail availability per door style)
- Mitered, Thermofoil, Laminate and a few other door styles have "Standard" or specific edge details that are unique to the door style (See edge profile drawings on individual door specification pages)
- Inset doors have limited options (A, H & N)
- Unless noted, all edge details require a knob or pull

 <p>1/4" Radius</p> 	 	 <p>5/16"</p> <p>1/4" Radius</p> <p>3/16"</p> <p>Continuous routed finger pull top &amp; bottom</p> 	<p>9° back bevel   No pull or knob required</p>  
<p>9° back bevel   No pull or knob required</p>  	 	 <p>1/8" Radius</p> 	 
 	 <p>2mm x 2mm notch</p> 	 	



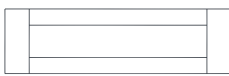
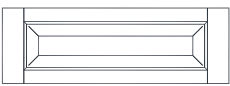
# Wood Doors

<b>Aberdeen (ABE)</b>		<b>PRICE POINT: C14</b>		  			
		<b>Overlays</b>	0%			Modified	<b>Prep for Glass</b>
			10%			Inset	
			15%	Beaded Inset			
<b>Hinges (per door)</b>	\$0	Finial Ball (Inset only)	<b>Drawer Fronts</b>	\$0	Slab		
	\$0	Concealed		\$153	DFMD		
	\$29	Concealed IM		<b>Wood Species</b> 0% Red Oak 0% Hickory    5% Rustic 0% Beech    7% Rustic 4% Alder    7% Rustic 10% Maple    15% Rustic 20% Cherry 30% Sapele 40% Black Walnut			
<b>Type</b>	Mortise & Tenon		<b>Paint</b>			Available on Red Oak or Maple +	
	Center Panel	3/4" thick solid wood				10%	Curated Paints
	Stile Width	3"				20%	Pick Your Paint
	Rail Width	3"					

## Door & panel appearance and size limits:






4" - <7" W	7" - 27" W	Center Mullion Added >27" - 36" W	8-15/16" - 52" H	Center Rail Added >52" - 73" H
				
Doors under 9" wide: stiles vary by width				

## Drawer front appearance and size limits:

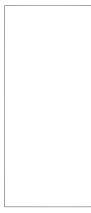
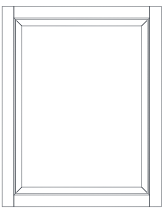
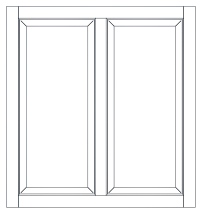
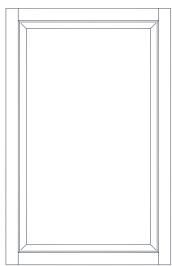
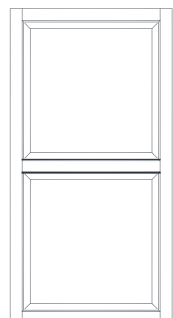
<b>SLAB</b>	Slab 2-1/2" – 18" H	<b>DFMD</b>	Slab 2-1/2" – <4-1/4" H	5-pc 1/4" recessed panel 4-1/4" – <5-7/16" H	5-pc solid raised panel 5-7/16" – 18" H
					
Rail height will vary based on drawer front height					






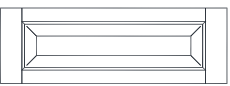
# Wood Doors

<b>Athens (ATH)</b>		<b>PRICE POINT: C10</b>		  			
		<b>Overlay</b>	0%			Traditional	
		<b>Hinges (per door)</b>	\$0			Concealed	
			\$29	Concealed IM			
		<b>Drawer Fronts</b>	\$0	Slab			
			\$153	DFMD			
		<b>Wood Species</b>	0%	Red Oak			
			0%	Beech	7%	Rustic	
			4%	Alder	7%	Rustic	
			5%	Hickory	10%	Rustic	
			10%	Maple	15%	Rustic	
			20%	Cherry			
		<b>Prep for Glass</b>		RFG, MGD, MGDC, MGDH, MGDN, MGDX			
				See pgs M-11 – M-13 for details			
				<b>Paint</b>		Available on Red Oak or Maple +	
		10%	Curated Paints				
		20%	Pick Your Paint				



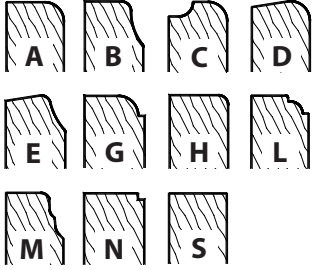
## Door & panel appearance and size limits:

4" - <7" W	7" - 27" W	<b>Center Mullion Added</b> >27" - 36" W		8-3/4" - 52" H	<b>Center Rail Added</b> >52" - 73" H
					
Doors under 7-1/2" wide: stiles vary by width					


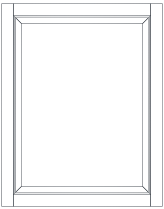
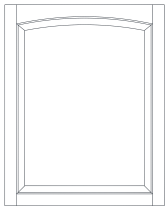
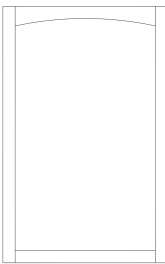
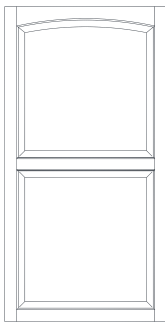
## Drawer front appearance and size limits:

<b>SLAB</b>	<b>Slab</b> 2-1/2" - 18" H		<b>DFMD</b>	<b>Slab</b> 2-1/2" - <4-1/4" H	<b>5-pc 1/4" recessed panel</b> 4-1/4" - <5-7/16" H	<b>5-pc solid raised panel</b> 5-7/16" - 18" H
						
Rail height will vary based on drawer front height						



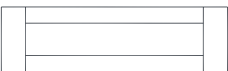
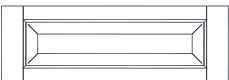
# Wood Doors

<p><b>Athens Roman (ATH-R)</b></p>  		<b>PRICE POINT: C10A</b>							
		<b>Overlay</b>	0%	Traditional					
<b>Hinges (per door)</b>	\$0	Concealed		<b>Prep for Glass</b>	RFG, MGD, MGDH				
	\$29	Concealed IM			See pgs M-11 – M-12 for details				
<b>Drawer Fronts</b>	\$0	Slab		<b>Paint</b>	Available on Red Oak or Maple +				
	\$153	DFMD			10%	Curated Paints			
<b>Wood Species</b>	0%	Red Oak			20%	Pick Your Paint			
	0%	Beech	7%		Rustic				
	4%	Alder	7%		Rustic				
	5%	Hickory	10%		Rustic				
	10%	Maple	15%	Rustic					
20%	Cherry								
<b>Type</b>	Mortise & Tenon								
<b>Center Panel</b>	3/4" thick solid wood								
<b>Stile Width</b>	2-1/4"								
<b>Rail Width</b>	2-1/4"								



## Door & panel appearance and size limits:

4" - <7" W	7" - 8-1/2" W	<b>Arched Top</b> 8-1/2" - 27" W		8-3/4" - 52" H	<b>Center Rail Added</b> >52" - 73" H	<p>Arch is applied to:</p> <ul style="list-style-type: none"> <li>• Wall cabinets</li> <li>• Top door(s) of stacked cabinets</li> <li>• Top door(s) of Tall cabinets</li> </ul> <p>Includes finished end options with doors</p>
						
Doors under 7-1/2" wide: stiles vary by width						


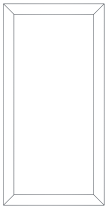
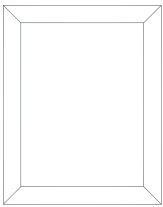
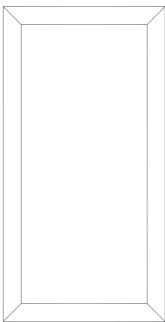
## Drawer front appearance and size limits:

<b>SLAB</b>	<b>Slab</b> 2-1/2" - 18" H		<b>DFMD</b>	<b>Slab</b> 2-1/2" - <4-1/4" H	<b>5-pc 1/4" recessed panel</b> 4-1/4" - <5-7/16" H	<b>5-pc solid raised panel</b> 5-7/16" - 18" H
						
Rail height will vary based on drawer front height						




# Wood Doors

<p><b>Belmont (BMT)</b></p> 		<p><b>PRICE POINT: C14</b></p>		<p><b>Standard Edge Detail</b></p> 
<p><b>Hinges (per door)</b></p>	<p>10% Inset</p>	<p><b>Prep for Glass</b></p>	<p>RFG, MGD, MGDH, MGDN</p>	
	<p>15% Beaded Inset</p>		<p>See pgs M-11 – M-12 for details</p>	
	<p>\$0 Finial Ball (Inset only)</p>		<p>\$0 Concealed</p>	
<p><b>Drawer Fronts</b></p>	<p>\$29 Concealed IM</p>	<p><b>Paint</b></p>	<p>Available on Red Oak or Maple +</p>	
	<p>\$0 Slab</p>		<p>10% Curated Paints</p>	
<p><b>Wood Species</b></p>	<p>\$0 DFMD</p>	<p>20% Pick Your Paint</p>		
	<p>0% Red Oak</p>	<p><b>Type</b> Mitered</p> <p><b>Center Panel</b> 1/4" thick</p> <p><b>Stile Width</b> 3"</p> <p><b>Rail Width</b> 3"</p>		
	<p>0% Beech</p>			
	<p>5% Hickory</p>			
	<p>6% Alder</p>			
<p>10% Maple</p>				
<p>20% Cherry</p>				


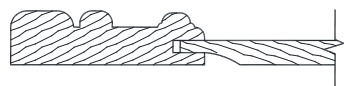

**Door & panel appearance and size limits:**

<p>4" - &lt;7" W</p> 	<p><b>1-3/4" Stile &amp; Rail</b></p> <p>7" - &lt;8-1/2" W</p> 	<p><b>3" Stile &amp; Rail</b></p> <p>8-1/2" - 36" W</p> 	<p>8-3/4" - 73" H</p> 
<p>.....</p>			

**Drawer front appearance and size limits:**

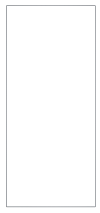

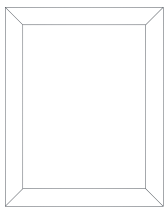
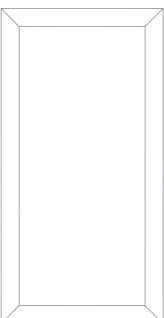
<p><b>SLAB</b></p>	<p><b>Slab</b></p> <p>2-1/2" – 18" H</p> 	<p>.....</p>	<p><b>DFMD</b></p>	<p><b>Slab</b></p> <p>2-1/2" – &lt;5-7/16" H</p> 	<p><b>5-pc 1/4" recessed panel</b></p> <p>5-7/16" – 18" H</p> 
	<p>.....</p>			<p>1-3/4" W stiles &amp; rails</p>	

# Wood Doors




<p><b>Belmont Solid (BMTS)</b></p>  		<b>PRICE POINT: C15</b>			<p><b>Standard Edge Detail</b></p> 	
		<p><b>Overlays</b></p>	0%	Modified		
10%	Inset					
15%	Beaded Inset					
<p><b>Hinges (per door)</b></p>	\$0	Finial Ball (Inset only)		<p><b>Prep for Glass</b></p>	<p>RFG, MGD, MGDH, MGDN</p>	
	\$0	Concealed				
	\$29	Concealed IM				
<p><b>Drawer Fronts</b></p>	\$0	Slab		<p>See pgs M-11 – M-12 for details</p>		
	\$0	DFMD				
<p><b>Wood Species</b></p>	0%	Red Oak			<p><b>Paint</b></p>	<p>Available on Red Oak or Maple +</p>
	0%	Beech	7%	Rustic		
	4%	Alder	7%	Rustic		
	5%	Hickory	10%	Rustic		
	10%	Maple	15%	Rustic		
	20%	Cherry				
	30%	Sapele				
10%	Curated Paints					
20%	Pick Your Paint					

<b>Type</b>	Mitered
<b>Center Panel</b>	3/8" thick solid wood
<b>Stile Width</b>	3"
<b>Rail Width</b>	3"

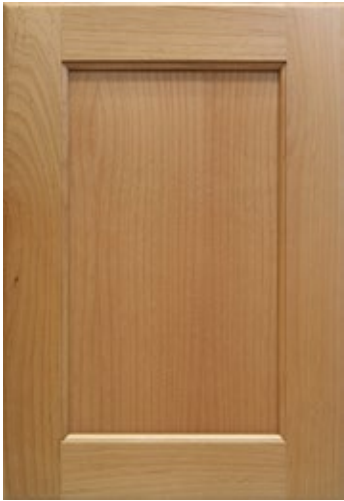
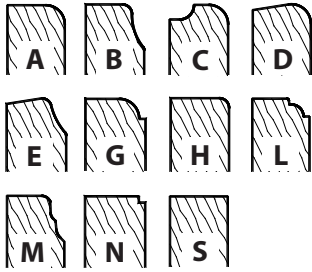
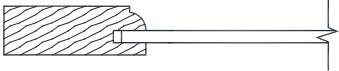
## Door & panel appearance and size limits:

4" - <7" W	1-3/4" Stile & Rail 7" - <8-1/2" W	3" Stile & Rail 8-1/2" - 36" W	8-3/4" - 73" H
			


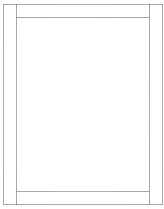
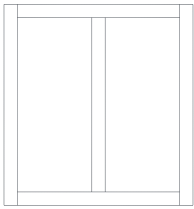
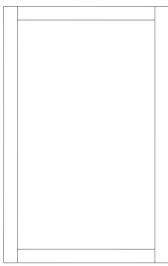
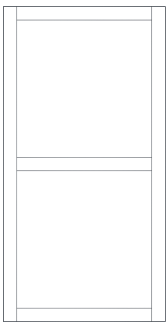
## Drawer front appearance and size limits:

<p><b>SLAB</b></p>	<p><b>Slab</b> 2-1/2" – 18" H</p> 	<p><b>DFMD</b></p>	<p><b>Slab</b> 2-1/2" – &lt;5-7/16" H</p> 	<p><b>5-pc solid recessed panel</b> 5-7/16" – 18" H</p> 
				<p>1-3/4" W stiles &amp; rails</p>



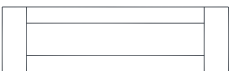
# Wood Doors

<b>Brentwood (BTW)</b>												
	<b>PRICE POINT: C9</b>				<b>Edge Details</b>							
		<b>Overlays</b>				0% Modified	<b>Hinges (per door)</b>	\$0 Finial Ball (Inset only)				
10% Inset			\$0 Concealed									
15% Beaded Inset			\$29 Concealed IM									
<b>Drawer Fronts</b>	\$0 Slab	<b>Wood Species</b>	0% Red Oak	<b>Prep for Glass</b>	RFG, MGD, MGDC, MGDH, MGDN, MGDX							
	\$153 DFMD		0% Beech		See pgs M-11 – M-13 for details							
<table border="1"> <tr> <td><b>Construction</b></td> <td>Mortise &amp; Tenon</td> </tr> <tr> <td><b>Center Panel</b></td> <td>1/4" thick</td> </tr> <tr> <td><b>Stile Width</b></td> <td>2-1/4"</td> </tr> <tr> <td><b>Rail Width</b></td> <td>2-1/4"</td> </tr> </table>	<b>Construction</b>	Mortise & Tenon	<b>Center Panel</b>	1/4" thick	<b>Stile Width</b>	2-1/4"	<b>Rail Width</b>	2-1/4"	0% Hickory	<b>Paint</b>	Available on Red Oak or Maple +	
	<b>Construction</b>	Mortise & Tenon										
	<b>Center Panel</b>	1/4" thick										
	<b>Stile Width</b>	2-1/4"										
	<b>Rail Width</b>	2-1/4"										
6% Alder	10% Curated Paints											
10% Maple	20% Pick Your Paint											
20% Cherry												

## Door & panel appearance and size limits:

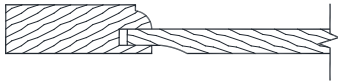
<b>Slab</b> 4" - <7" W	7" - 27" W	<b>Center Mullion Added</b> >27" - 36" W	8-3/4" - 52" H	<b>Center Rail Added</b> >52" - 73" H
				

## Drawer front appearance and size limits:

<b>SLAB</b>	<b>Slab</b> 2-1/2" - 18" H	<b>DFMD</b>	<b>Slab</b> 2-1/2" - <4-1/4" H	<b>5-pc 1/4" recessed panel</b> 4-1/4" - 18" H
				
Rail height will vary based on drawer front height				

# Wood Doors

## Brentwood Solid (BTWS)

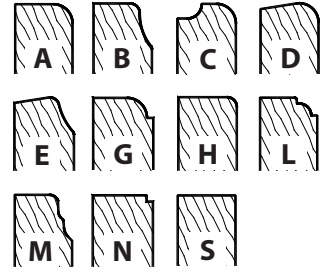


Type	Mortise & Tenon
Center Panel	3/8" thick solid wood
Stile Width	2-1/4"
Rail Width	2-1/4"

### PRICE POINT: C12

Overlays	0%	Modified	
	10%	Inset	
	15%	Beaded Inset	
Hinges (per door)	\$0	Finial Ball (Inset only)	
	\$0	Concealed	
	\$29	Concealed IM	
Drawer Fronts	\$0	Slab	
	\$153	DFMD	
Wood Species	0%	Red Oak	
	0%	Hickory	5% Rustic
	0%	Beech	7% Rustic
	4%	Alder	7% Rustic
	10%	Maple	15% Rustic
	20%	Cherry	
	30%	Sapele	
	40%	Black Walnut	

### Edge Details



### Prep for Glass

RFG,  
MGD, MGDC, MGDH,  
MGDN, MGDX

See pgs M-11 – M-13 for details

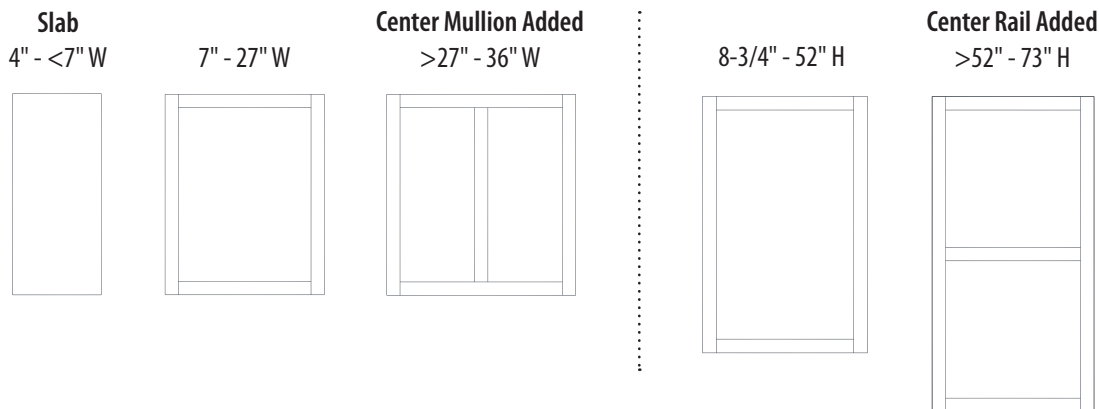
### Paint

Available on Red Oak or Maple +

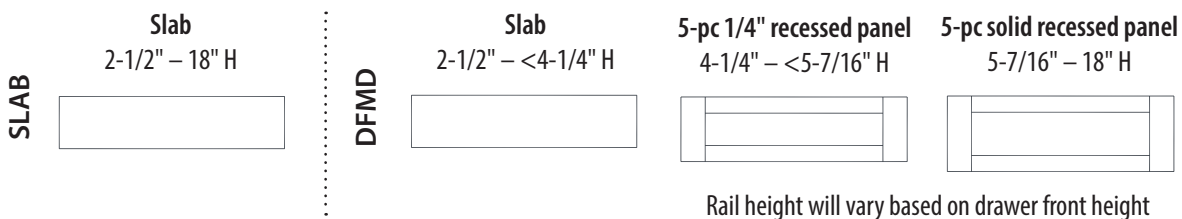
10% Curated Paints

20% Pick Your Paint


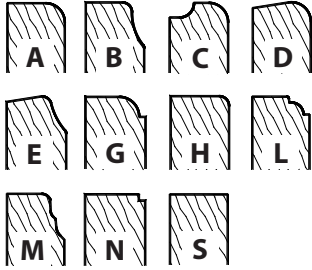
### Door & panel appearance and size limits:

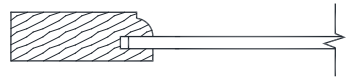


### Drawer front appearance and size limits:




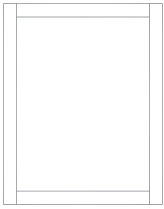
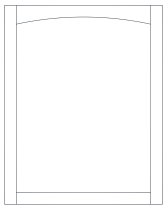
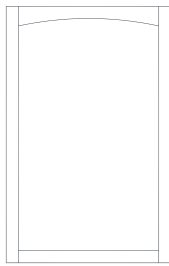
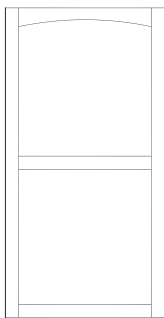
# Wood Doors

<b>Brentwood Roman (BTW-R)</b> 		<b>PRICE POINT: C9A</b>					
		<b>Overlays</b>	0%				
10%	Inset		\$0	Concealed	See pgs M-11 – M-12 for details		
15%	Beaded Inset		\$29	Concealed IM			
<b>Drawer Fronts</b>	\$0	Slab	<b>Wood Species</b>	0%	Red Oak	<b>Paint</b>	Available on Red Oak or Maple +
	\$153	DFMD		0%	Beech		10%
0%	Hickory	6%		Alder	20%		Pick Your Paint
0%	Maple	10%		Cherry			
0%	Cherry						
0%	Cherry						






<b>Type</b>	Mortise & Tenon
<b>Center Panel</b>	1/4" thick
<b>Stile Width</b>	2-1/4"
<b>Rail Width</b>	2-1/4"

## Door & panel appearance and size limits:

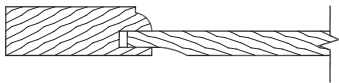
4" - <7" W	7" - <8-1/2" W	Arched Top 8-1/2" - 27" W	Arched Top 8-3/4" - 52" H	Center Rail Added >52" - 73" H	Arch is applied to: • Wall cabinets • Top door(s) of stacked cabinets • Top door(s) of Tall cabinets Includes finished end options with doors
					

## Drawer front appearance and size limits:

<b>SLAB</b>	<b>Slab</b> 2-1/2" - 18" H 	<b>DFMD</b>	<b>Slab</b> 2-1/2" - <4-1/4" H 	<b>5-pc 1/4" recessed panel</b> 4-1/4" - 18" H 
				Rail height will vary based on drawer front height

# Wood Doors

## Brentwood Roman Solid (BTWS-R)



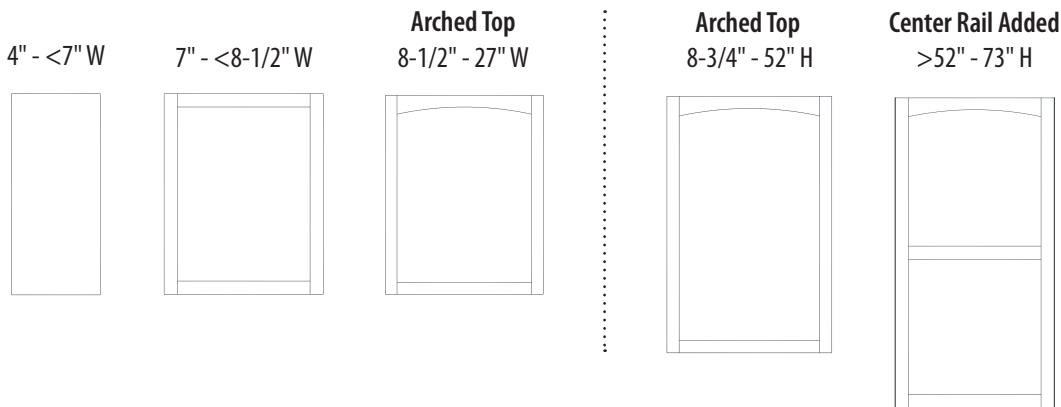
Type	Mortise & Tenon
Center Panel	3/8" thick solid wood
Stile Width	2-1/4"
Rail Width	2-1/4"

### PRICE POINT: C12A

Overlays	0%	Modified	
	10%	Inset	
	15%	Beaded Inset	
Hinges (per door)	\$0	Finial Ball (Inset only)	
	\$0	Concealed	
	\$29	Concealed IM	
Drawer Fronts	\$0	Slab	
	\$153	DFMD	
Wood Species	0%	Red Oak	
	0%	Hickory	5% Rustic
	0%	Beech	7% Rustic
	4%	Alder	7% Rustic
	10%	Maple	15% Rustic
	20%	Cherry	
	30%	Sapele	

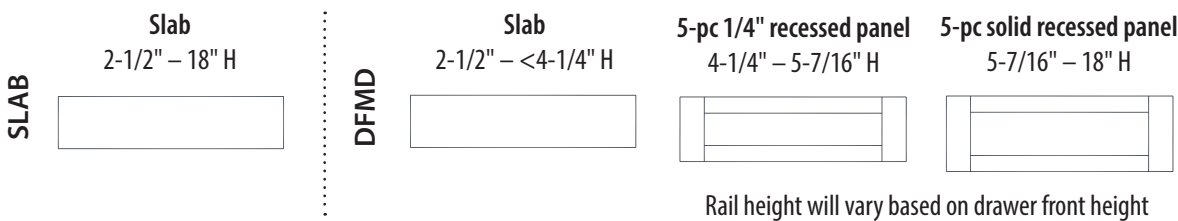
Edge Details	A	B	C	D
	E	G	H	L
	M	N	S	
Prep for Glass	RFG, MGD, MGDH			
	See pgs M-11 – M-12 for details			
Paint	Available on Red Oak or Maple +			
	10%	Curated Paints		
	20%	Pick Your Paint		

### Door & panel appearance and size limits:





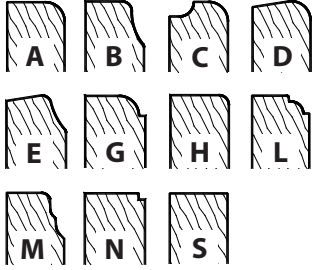
- Arch is applied to:
- Wall cabinets
  - Top door(s) of stacked cabinets
  - Top door(s) of Tall cabinets
- Includes finished end options with doors

### Drawer front appearance and size limits:


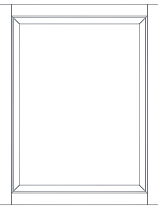
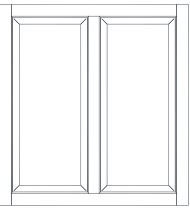
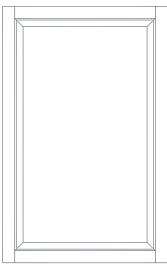
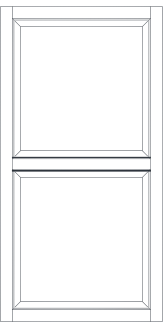








# Wood Doors

<p>Canterbury (CAN)</p>   <table border="1"> <tr> <td>Type</td> <td>Mortise &amp; Tenon</td> </tr> <tr> <td>Center Panel</td> <td>3/4" thick solid wood</td> </tr> <tr> <td>Stile Width</td> <td>2-1/4"</td> </tr> <tr> <td>Rail Width</td> <td>2-1/4"</td> </tr> </table>	Type	Mortise & Tenon	Center Panel	3/4" thick solid wood	Stile Width	2-1/4"	Rail Width	2-1/4"	<p><b>PRICE POINT: C12</b></p> <table border="1"> <tr> <td rowspan="3">Overlays</td> <td>0%</td> <td>Modified</td> </tr> <tr> <td>10%</td> <td>Inset</td> </tr> <tr> <td>15%</td> <td>Beaded Inset</td> </tr> <tr> <td rowspan="3">Hinges (per door)</td> <td>\$0</td> <td>Finial Ball (Inset only)</td> </tr> <tr> <td>\$0</td> <td>Concealed</td> </tr> <tr> <td>\$29</td> <td>Concealed IM</td> </tr> <tr> <td rowspan="2">Drawer Fronts</td> <td>\$0</td> <td>Slab</td> </tr> <tr> <td>\$153</td> <td>DFMD</td> </tr> <tr> <td rowspan="8">Wood Species</td> <td>0%</td> <td>Red Oak</td> </tr> <tr> <td>0%</td> <td>Hickory</td> <td>5% Rustic</td> </tr> <tr> <td>0%</td> <td>Beech</td> <td>7% Rustic</td> </tr> <tr> <td>4%</td> <td>Alder</td> <td>7% Rustic</td> </tr> <tr> <td>10%</td> <td>Maple</td> <td>15% Rustic</td> </tr> <tr> <td>20%</td> <td>Cherry</td> <td></td> </tr> <tr> <td>30%</td> <td>Sapele</td> <td></td> </tr> <tr> <td>40%</td> <td>Black Walnut</td> <td></td> </tr> </table>		Overlays	0%	Modified	10%	Inset	15%	Beaded Inset	Hinges (per door)	\$0	Finial Ball (Inset only)	\$0	Concealed	\$29	Concealed IM	Drawer Fronts	\$0	Slab	\$153	DFMD	Wood Species	0%	Red Oak	0%	Hickory	5% Rustic	0%	Beech	7% Rustic	4%	Alder	7% Rustic	10%	Maple	15% Rustic	20%	Cherry		30%	Sapele		40%	Black Walnut		
	Type	Mortise & Tenon																																																				
Center Panel	3/4" thick solid wood																																																					
Stile Width	2-1/4"																																																					
Rail Width	2-1/4"																																																					
Overlays	0%	Modified																																																				
	10%	Inset																																																				
	15%	Beaded Inset																																																				
Hinges (per door)	\$0	Finial Ball (Inset only)																																																				
	\$0	Concealed																																																				
	\$29	Concealed IM																																																				
Drawer Fronts	\$0	Slab																																																				
	\$153	DFMD																																																				
Wood Species	0%	Red Oak																																																				
	0%	Hickory	5% Rustic																																																			
	0%	Beech	7% Rustic																																																			
	4%	Alder	7% Rustic																																																			
	10%	Maple	15% Rustic																																																			
	20%	Cherry																																																				
	30%	Sapele																																																				
	40%	Black Walnut																																																				
		<table border="1"> <tr> <td rowspan="2">Prep for Glass</td> <td>                     RFG,                      MGD, MGDC, MGDH,                      MGDN, MGDX                      See pgs M-11 – M-13 for details                 </td> </tr> <tr> <td> <table border="1"> <tr> <td rowspan="3">Paint</td> <td>Available on Red Oak or Maple +</td> </tr> <tr> <td>10% Curated Paints</td> </tr> <tr> <td>20% Pick Your Paint</td> </tr> </table> </td> </tr> </table>	Prep for Glass	RFG, MGD, MGDC, MGDH, MGDN, MGDX See pgs M-11 – M-13 for details	<table border="1"> <tr> <td rowspan="3">Paint</td> <td>Available on Red Oak or Maple +</td> </tr> <tr> <td>10% Curated Paints</td> </tr> <tr> <td>20% Pick Your Paint</td> </tr> </table>	Paint	Available on Red Oak or Maple +	10% Curated Paints	20% Pick Your Paint																																													
Prep for Glass	RFG, MGD, MGDC, MGDH, MGDN, MGDX See pgs M-11 – M-13 for details																																																					
	<table border="1"> <tr> <td rowspan="3">Paint</td> <td>Available on Red Oak or Maple +</td> </tr> <tr> <td>10% Curated Paints</td> </tr> <tr> <td>20% Pick Your Paint</td> </tr> </table>	Paint	Available on Red Oak or Maple +	10% Curated Paints	20% Pick Your Paint																																																	
Paint	Available on Red Oak or Maple +																																																					
	10% Curated Paints																																																					
	20% Pick Your Paint																																																					


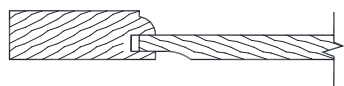

































## Door & panel appearance and size limits:

4" - <7" W	7" - 27" W	Center Mullion Added >27" - 36" W	8-15/16" - 52" H	Center Rail Added >52" - 73" H
				
Doors under 7-1/2" wide: stiles vary by width				


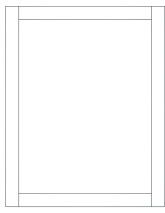
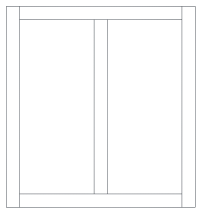
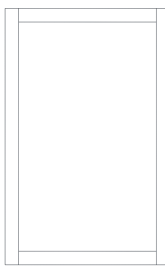
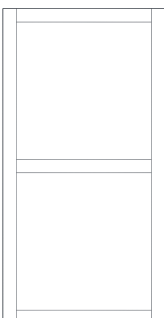
## Drawer front appearance and size limits:

SLAB	Slab 2-1/2" - 18" H	DFMD	Slab 2-1/2" - <4-1/4" H	5-pc 1/4" recessed panel 4-1/4" - <5-7/16" H	5-pc solid raised panel 5-7/16" - 18" H
					
Rail height will vary based on drawer front height					



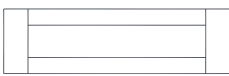
# Wood Doors

<p>Cape Cod Solid (CODS)</p>  		<p><b>PRICE POINT: C15</b></p> <table border="1"> <tr> <td rowspan="3">Overlays</td> <td>0%</td> <td>Modified</td> </tr> <tr> <td>10%</td> <td>Inset</td> </tr> <tr> <td>15%</td> <td>Beaded Inset</td> </tr> <tr> <td rowspan="3">Hinges (per door)</td> <td>\$0</td> <td>Finial Ball (Inset only)</td> </tr> <tr> <td>\$0</td> <td>Concealed</td> </tr> <tr> <td>\$29</td> <td>Concealed IM</td> </tr> <tr> <td rowspan="2">Drawer Fronts</td> <td>\$0</td> <td>Slab</td> </tr> <tr> <td>\$0</td> <td>DFMD</td> </tr> <tr> <td rowspan="7">Wood Species</td> <td>0%</td> <td>Red Oak</td> </tr> <tr> <td>0%</td> <td>Hickory</td> <td>5% Rustic</td> </tr> <tr> <td>0%</td> <td>Beech</td> <td>7% Rustic</td> </tr> <tr> <td>4%</td> <td>Alder</td> <td>7% Rustic</td> </tr> <tr> <td>10%</td> <td>Maple</td> <td>15% Rustic</td> </tr> <tr> <td>20%</td> <td>Cherry</td> <td></td> </tr> <tr> <td>30%</td> <td>Sapele</td> <td></td> </tr> </table>		Overlays	0%	Modified	10%	Inset	15%	Beaded Inset	Hinges (per door)	\$0	Finial Ball (Inset only)	\$0	Concealed	\$29	Concealed IM	Drawer Fronts	\$0	Slab	\$0	DFMD	Wood Species	0%	Red Oak	0%	Hickory	5% Rustic	0%	Beech	7% Rustic	4%	Alder	7% Rustic	10%	Maple	15% Rustic	20%	Cherry		30%	Sapele		<table border="1"> <tr> <td rowspan="3">Edge Details</td> <td></td> <td></td> <td></td> <td></td> </tr> <tr> <td></td> <td></td> <td></td> <td></td> </tr> <tr> <td></td> <td></td> <td></td> <td></td> </tr> </table>		Edge Details												
					Overlays	0%	Modified																																																			
10%	Inset																																																									
15%	Beaded Inset																																																									
Hinges (per door)	\$0	Finial Ball (Inset only)																																																								
	\$0	Concealed																																																								
	\$29	Concealed IM																																																								
Drawer Fronts	\$0	Slab																																																								
	\$0	DFMD																																																								
Wood Species	0%	Red Oak																																																								
	0%	Hickory	5% Rustic																																																							
	0%	Beech	7% Rustic																																																							
	4%	Alder	7% Rustic																																																							
	10%	Maple	15% Rustic																																																							
	20%	Cherry																																																								
	30%	Sapele																																																								
Edge Details																																																										
																																																										
																																																										
<table border="1"> <tr> <td>Type</td> <td>Mortise &amp; Tenon</td> </tr> <tr> <td>Center Panel</td> <td>3/8" thick solid wood</td> </tr> <tr> <td>Stile Width</td> <td>2-1/4"</td> </tr> <tr> <td>Rail Width</td> <td>2-1/4"</td> </tr> </table>		Type	Mortise & Tenon	Center Panel	3/8" thick solid wood	Stile Width	2-1/4"	Rail Width	2-1/4"	<table border="1"> <tr> <td rowspan="2">Prep for Glass</td> <td colspan="2">RFG, MGD, MGDC, MGDH, MGDN, MGDX</td> </tr> <tr> <td colspan="2">See pgs M-11 – M-13 for details</td> </tr> <tr> <td rowspan="3">Paint</td> <td colspan="2">Available on Red Oak or Maple +</td> </tr> <tr> <td>10%</td> <td>Curated Paints</td> </tr> <tr> <td>20%</td> <td>Pick Your Paint</td> </tr> </table>		Prep for Glass	RFG, MGD, MGDC, MGDH, MGDN, MGDX		See pgs M-11 – M-13 for details		Paint	Available on Red Oak or Maple +		10%	Curated Paints	20%	Pick Your Paint																																			
Type	Mortise & Tenon																																																									
Center Panel	3/8" thick solid wood																																																									
Stile Width	2-1/4"																																																									
Rail Width	2-1/4"																																																									
Prep for Glass	RFG, MGD, MGDC, MGDH, MGDN, MGDX																																																									
	See pgs M-11 – M-13 for details																																																									
Paint	Available on Red Oak or Maple +																																																									
	10%	Curated Paints																																																								
	20%	Pick Your Paint																																																								


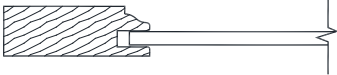



## Door & panel appearance and size limits:

4" - <7" W	7" - 27" W	Center Mullion Added >27" - 36" W	8-3/4" - 52" H	Center Rail Added >52" - 73" H
				


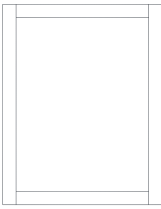
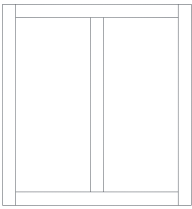
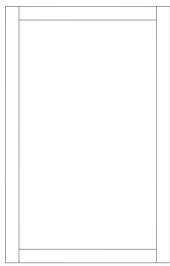
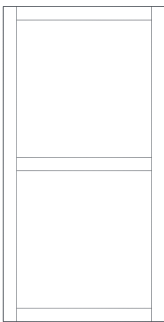
## Drawer front appearance and size limits:

SLAB	Slab 2-1/2" – 18" H	DFMD	Slab 2-1/2" – <5-7/16" H	5-pc solid recessed panel 5-7/16" – 18" H
				
Rail height will vary based on drawer front height				



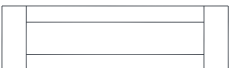
# Wood Doors

Carlsbad (CBD)						
  	<b>PRICE POINT: C9</b>				  	
	<b>Overlays</b>	0%	Modified			
		10%	Inset			
		15%	Beaded Inset			
	<b>Hinges (per door)</b>	\$0	Finial Ball (Inset only)			
		\$0	Concealed			
		\$29	Concealed IM			
	<b>Drawer Fronts</b>	\$0	Slab			
		\$153	DFMD			
	<b>Wood Species</b>	0%	Red Oak			
0%		Beech				
0%		Hickory				
6%		Alder				
10%		Maple				
20%		Cherry				
				RFG, MGD, MGDC, MGDH, MGDN, MGDX  See pgs M-11 – M-13 for details		
				Available on Red Oak or Maple + 10% Curated Paints 20% Pick Your Paint		


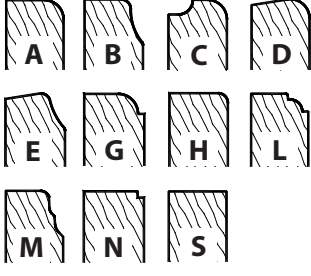
## Door & panel appearance and size limits:

4" - <7" W	7" - 27" W	Center Mullion Added >27" - 36" W	8-3/4" - 52" H	Center Rail Added >52" - 73" H
				


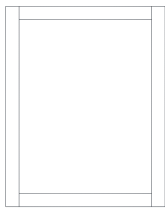
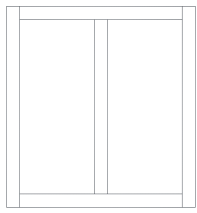
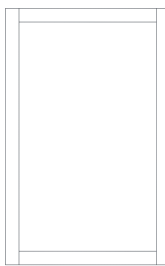
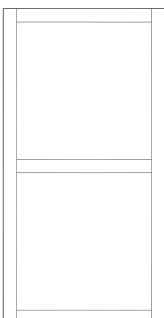
## Drawer front appearance and size limits:

<b>SLAB</b>	Slab 2-1/2" – 18" H 	.....	Slab 2-1/2" – <4-1/4" H 	5-pc 1/4" recessed panel 4-1/4" – 18" H 	
	Rail height will vary based on drawer front height				



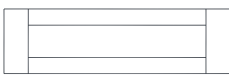
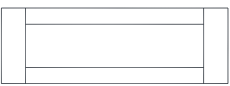
# Wood Doors

<p><b>Carlsbad Solid (CBDS)</b></p> 		<p><b>PRICE POINT: C12</b></p>																																																																											
						<table border="1"> <tr> <td rowspan="3"><b>Overlays</b></td> <td>0%</td> <td>Modified</td> </tr> <tr> <td>10%</td> <td>Inset</td> </tr> <tr> <td>15%</td> <td>Beaded Inset</td> </tr> <tr> <td rowspan="3"><b>Hinges (per door)</b></td> <td>\$0</td> <td>Finial Ball (Inset only)</td> </tr> <tr> <td>\$0</td> <td>Concealed</td> </tr> <tr> <td>\$29</td> <td>Concealed IM</td> </tr> <tr> <td rowspan="2"><b>Drawer Fronts</b></td> <td>\$0</td> <td>Slab</td> </tr> <tr> <td>\$153</td> <td>DFMD</td> </tr> <tr> <td rowspan="8"><b>Wood Species</b></td> <td>0%</td> <td>Red Oak</td> </tr> <tr> <td>0%</td> <td>Hickory</td> <td>5%</td> <td>Rustic</td> </tr> <tr> <td>0%</td> <td>Beech</td> <td>7%</td> <td>Rustic</td> </tr> <tr> <td>4%</td> <td>Alder</td> <td>7%</td> <td>Rustic</td> </tr> <tr> <td>10%</td> <td>Maple</td> <td>15%</td> <td>Rustic</td> </tr> <tr> <td>20%</td> <td>Cherry</td> <td></td> <td></td> </tr> <tr> <td>30%</td> <td>Sapele</td> <td></td> <td></td> </tr> <tr> <td>40%</td> <td>Black Walnut</td> <td></td> <td></td> </tr> <tr> <td colspan="2"> <table border="1"> <tr> <td><b>Type</b></td> <td>Mortise &amp; Tenon</td> </tr> <tr> <td><b>Center Panel</b></td> <td>3/8" thick solid wood</td> </tr> <tr> <td><b>Stile Width</b></td> <td>2-1/4"</td> </tr> <tr> <td><b>Rail Width</b></td> <td>2-1/4"</td> </tr> </table> </td> <td colspan="2"> <table border="1"> <tr> <td rowspan="3"><b>Prep for Glass</b></td> <td colspan="2">RFG, MGD, MGDC, MGDH, MGDN, MGDX</td> </tr> <tr> <td colspan="2">See pgs M-11 – M-13 for details</td> </tr> <tr> <td colspan="2"></td> </tr> <tr> <td rowspan="3"><b>Paint</b></td> <td colspan="2">Available on Red Oak or Maple +</td> </tr> <tr> <td>10%</td> <td>Curated Paints</td> </tr> <tr> <td>20%</td> <td>Pick Your Paint</td> </tr> </table> </td> </tr> </table>		<b>Overlays</b>	0%	Modified	10%	Inset	15%	Beaded Inset	<b>Hinges (per door)</b>	\$0	Finial Ball (Inset only)	\$0	Concealed	\$29	Concealed IM	<b>Drawer Fronts</b>	\$0	Slab	\$153	DFMD	<b>Wood Species</b>	0%	Red Oak	0%	Hickory	5%	Rustic	0%	Beech	7%	Rustic	4%	Alder	7%	Rustic	10%	Maple	15%	Rustic	20%	Cherry			30%	Sapele			40%	Black Walnut			<table border="1"> <tr> <td><b>Type</b></td> <td>Mortise &amp; Tenon</td> </tr> <tr> <td><b>Center Panel</b></td> <td>3/8" thick solid wood</td> </tr> <tr> <td><b>Stile Width</b></td> <td>2-1/4"</td> </tr> <tr> <td><b>Rail Width</b></td> <td>2-1/4"</td> </tr> </table>		<b>Type</b>	Mortise & Tenon	<b>Center Panel</b>	3/8" thick solid wood	<b>Stile Width</b>	2-1/4"	<b>Rail Width</b>	2-1/4"	<table border="1"> <tr> <td rowspan="3"><b>Prep for Glass</b></td> <td colspan="2">RFG, MGD, MGDC, MGDH, MGDN, MGDX</td> </tr> <tr> <td colspan="2">See pgs M-11 – M-13 for details</td> </tr> <tr> <td colspan="2"></td> </tr> <tr> <td rowspan="3"><b>Paint</b></td> <td colspan="2">Available on Red Oak or Maple +</td> </tr> <tr> <td>10%</td> <td>Curated Paints</td> </tr> <tr> <td>20%</td> <td>Pick Your Paint</td> </tr> </table>		<b>Prep for Glass</b>	RFG, MGD, MGDC, MGDH, MGDN, MGDX		See pgs M-11 – M-13 for details				<b>Paint</b>
<b>Overlays</b>	0%	Modified																																																																											
	10%	Inset																																																																											
	15%	Beaded Inset																																																																											
<b>Hinges (per door)</b>	\$0	Finial Ball (Inset only)																																																																											
	\$0	Concealed																																																																											
	\$29	Concealed IM																																																																											
<b>Drawer Fronts</b>	\$0	Slab																																																																											
	\$153	DFMD																																																																											
<b>Wood Species</b>	0%	Red Oak																																																																											
	0%	Hickory	5%	Rustic																																																																									
	0%	Beech	7%	Rustic																																																																									
	4%	Alder	7%	Rustic																																																																									
	10%	Maple	15%	Rustic																																																																									
	20%	Cherry																																																																											
	30%	Sapele																																																																											
	40%	Black Walnut																																																																											
<table border="1"> <tr> <td><b>Type</b></td> <td>Mortise &amp; Tenon</td> </tr> <tr> <td><b>Center Panel</b></td> <td>3/8" thick solid wood</td> </tr> <tr> <td><b>Stile Width</b></td> <td>2-1/4"</td> </tr> <tr> <td><b>Rail Width</b></td> <td>2-1/4"</td> </tr> </table>		<b>Type</b>	Mortise & Tenon	<b>Center Panel</b>	3/8" thick solid wood	<b>Stile Width</b>	2-1/4"	<b>Rail Width</b>	2-1/4"	<table border="1"> <tr> <td rowspan="3"><b>Prep for Glass</b></td> <td colspan="2">RFG, MGD, MGDC, MGDH, MGDN, MGDX</td> </tr> <tr> <td colspan="2">See pgs M-11 – M-13 for details</td> </tr> <tr> <td colspan="2"></td> </tr> <tr> <td rowspan="3"><b>Paint</b></td> <td colspan="2">Available on Red Oak or Maple +</td> </tr> <tr> <td>10%</td> <td>Curated Paints</td> </tr> <tr> <td>20%</td> <td>Pick Your Paint</td> </tr> </table>		<b>Prep for Glass</b>	RFG, MGD, MGDC, MGDH, MGDN, MGDX		See pgs M-11 – M-13 for details				<b>Paint</b>	Available on Red Oak or Maple +		10%	Curated Paints	20%	Pick Your Paint																																																				
<b>Type</b>	Mortise & Tenon																																																																												
<b>Center Panel</b>	3/8" thick solid wood																																																																												
<b>Stile Width</b>	2-1/4"																																																																												
<b>Rail Width</b>	2-1/4"																																																																												
<b>Prep for Glass</b>	RFG, MGD, MGDC, MGDH, MGDN, MGDX																																																																												
	See pgs M-11 – M-13 for details																																																																												
<b>Paint</b>	Available on Red Oak or Maple +																																																																												
	10%	Curated Paints																																																																											
	20%	Pick Your Paint																																																																											






## Door & panel appearance and size limits:

4" - <7" W	7" - 27" W	Center Mullion Added >27" - 36" W	8-3/4" - 52" H	Center Rail Added >52" - 73" H
				

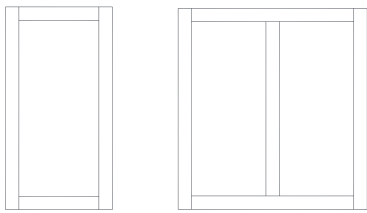

## Drawer front appearance and size limits:

<b>SLAB</b>	Slab 2-1/2" - 18" H	<b>DFMD</b>	Slab 2-1/2" - <4-1/4" H	5-pc 1/4" recessed panel 4-1/4" - <5-7/16" H	5-pc solid recessed panel 5-7/16" - 18" H
					
Rail height will vary based on drawer front height					

# Wood Doors

Catalina (CAT)		<b>PRICE POINT: C16</b>		  			
		<b>Overlays</b>	0% Modified			<b>Hinges (per door)</b>	\$0 Finial Ball (Inset only)
			10% Inset				\$0 Concealed
			15% Beaded Inset	\$29 Concealed IM			
<b>Type</b>	Mortise & Tenon	<b>Center Panel</b>	1/4" thick	<b>Drawer Fronts</b>	\$0 Slab Only		
			plus 5/16" thick louver		<b>Wood Species</b>	0% Red Oak	
			<b>Stile Width</b>			2-1/4"	0% Beech
<b>Rail Width</b>	2-1/4"	0% Hickory	6% Alder	<b>Prep for Glass</b>	RFG, MGD, MGDC, MGDH, MGDN, MGDX		
		10% Maple	20% Cherry		See pgs M-11 – M-13 for details		
				<b>Paint</b>	Available on Red Oak or Maple +		
					10% Curated Paints		
				20% Pick Your Paint			

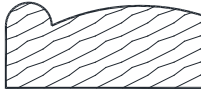


## Door & panel appearance and size limits:

<b>Center Mullion Added</b> 6-3/4" - <30" W 30" - 48" W 	<b>Center Rail Added</b> 7-1/2" - <60" H 60" - 73" H 	<ul style="list-style-type: none"> <li>• Louvers are 1-7/8"H &amp; 5/16" thick at thickest point</li> <li>• Louvers are filled from top to bottom of door</li> <li>• Bottom louver is trimmed to fit</li> </ul>
--	--	---



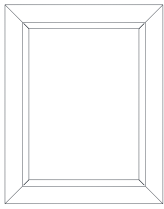
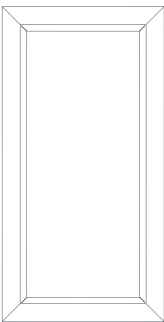
## Drawer front appearance and size limits:

<b>Slab</b> 2-1/2" – 18" H 	<b>SLAB</b>
--	-------------




# Wood Doors

<b>Charleston (CHR)</b>		<b>PRICE POINT: C15</b>		<b>Standard Edge Detail</b> 		
		<b>Overlays</b>	0% Modified			
			10% Inset			
15% Beaded Inset						
<b>Hinges (per door)</b>	\$0	Finial Ball (Inset only)				
	\$0	Concealed				
	\$29	Concealed IM				
<b>Drawer Fronts</b>	\$0	Slab				
	\$0	DFMD				
		<b>Wood Species</b>	0% Red Oak			
			0% Beech			7% Rustic
			4% Alder			7% Rustic
			5% Hickory			10% Rustic
			10% Maple			15% Rustic
			20% Cherry			
			30% Sapele			
<b>Type</b>		Mitered				
<b>Center Panel</b>	3/4" thick solid wood					
<b>Stile Width</b>	3"					
<b>Rail Width</b>	3"					
		<b>Paint</b>	Available on Red Oak or Maple +			
			10%	Curated Paints		
			20%	Pick Your Paint		
		<b>Prep for Glass</b>	RFG, MGD, MGDH, MGDN			
			See pgs M-11 – M-12 for details			

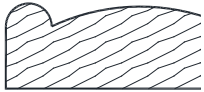


## Door & panel appearance and size limits:

4" - <7" W	1-3/4" Stile & Rail 7" - <9" W	3" Stile & Rail 9" - 36" W	8-3/4" - 73" H
			
	Recessed solid panel	Raised panel	


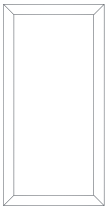
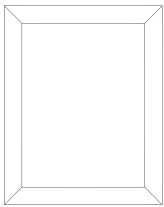
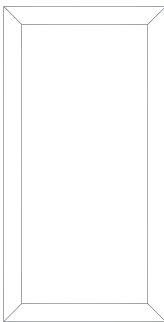
## Drawer front appearance and size limits:

<b>SLAB</b>	Slab 2-1/2" - 18" H	<b>DFMD</b>	Slab 2-1/2" - <5-7/16" H	5-pc solid recessed panel 5-7/16" - 18" H
				
			1-3/4" W stiles & rails	




# Wood Doors

Chatham (CHT)		<b>PRICE POINT: C14</b>		<b>Standard Edge Detail</b>	
		<b>Overlays</b>	0% Modified		
			10% Inset		
			15% Beaded Inset		
<b>Hinges (per door)</b>	<b>Drawer Fronts</b>	\$0 Finial Ball (Inset only)	<b>Wood Species</b>	Available on Red Oak or Maple +	
		\$0 Concealed		0% Red Oak	10% Curated Paints
		\$29 Concealed IM		0% Beech	20% Pick Your Paint
<b>Type</b>	Mitered	<b>Drawer Fronts</b>	\$0 Slab Only	<b>Paint</b>	
	Center Panel		1/4" thick		\$0 DFMD
<b>Stile Width</b>	3"	<b>Wood Species</b>	0% Red Oak		
<b>Rail Width</b>	3"		0% Beech		
			5% Hickory		
			6% Alder		
			10% Maple		
			20% Cherry		


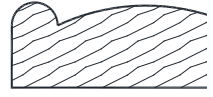
## Door & panel appearance and size limits:

4" - <7" W	1-3/4" Stile & Rail 7" - <8-1/2" W	3" Stile & Rail 8-1/2" - 36" W	8-3/4" - 73" H
			

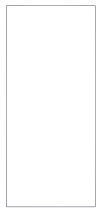

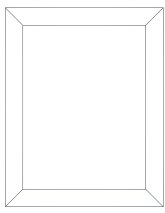
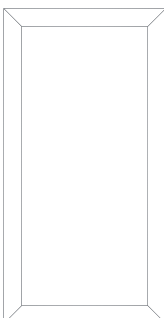
## Drawer front appearance and size limits:

<b>SLAB</b>	Slab 2-1/2" – 18" H	<b>DFMD</b>	Slab 2-1/2" – <5-7/16" H	5-pc 1/4" recessed panel 5-7/16" – 18" H
				
			1-3/4" W stiles & rails	




# Wood Doors

<p><b>Chatham Solid (CHTS)</b></p> 		<p><b>PRICE POINT: C15</b></p>		<p><b>Standard Edge Detail</b></p> 																																			
						<table border="1"> <tr> <td rowspan="3"><b>Overlays</b></td> <td>0%</td> <td>Modified</td> </tr> <tr> <td>10%</td> <td>Inset</td> </tr> <tr> <td>15%</td> <td>Beaded Inset</td> </tr> </table>		<b>Overlays</b>	0%	Modified	10%	Inset	15%	Beaded Inset																									
<b>Overlays</b>	0%	Modified																																					
	10%	Inset																																					
	15%	Beaded Inset																																					
<table border="1"> <tr> <td rowspan="3"><b>Hinges (per door)</b></td> <td>\$0</td> <td>Finial Ball (Inset only)</td> </tr> <tr> <td>\$0</td> <td>Concealed</td> </tr> <tr> <td>\$29</td> <td>Concealed IM</td> </tr> </table>		<b>Hinges (per door)</b>	\$0	Finial Ball (Inset only)	\$0	Concealed	\$29	Concealed IM	<table border="1"> <tr> <td rowspan="2"><b>Drawer Fronts</b></td> <td>\$0</td> <td>Slab</td> </tr> <tr> <td>\$0</td> <td>DFMD</td> </tr> </table>		<b>Drawer Fronts</b>	\$0	Slab	\$0	DFMD	<p><b>Prep for Glass</b></p> <p>RFG, MGD, MGDH, MGDN</p> <p>See pgs M-11 – M-12 for details</p>																							
			<b>Hinges (per door)</b>	\$0	Finial Ball (Inset only)																																		
\$0	Concealed																																						
\$29	Concealed IM																																						
<b>Drawer Fronts</b>	\$0	Slab																																					
	\$0	DFMD																																					
<table border="1"> <tr> <td rowspan="7"><b>Wood Species</b></td> <td>0%</td> <td>Red Oak</td> <td></td> <td></td> </tr> <tr> <td>0%</td> <td>Beech</td> <td>7%</td> <td>Rustic</td> </tr> <tr> <td>4%</td> <td>Alder</td> <td>7%</td> <td>Rustic</td> </tr> <tr> <td>5%</td> <td>Hickory</td> <td>10%</td> <td>Rustic</td> </tr> <tr> <td>10%</td> <td>Maple</td> <td>15%</td> <td>Rustic</td> </tr> <tr> <td>20%</td> <td>Cherry</td> <td></td> <td></td> </tr> <tr> <td>30%</td> <td>Sapele</td> <td></td> <td></td> </tr> </table>		<b>Wood Species</b>	0%	Red Oak			0%	Beech	7%	Rustic	4%	Alder	7%	Rustic	5%	Hickory	10%	Rustic	10%	Maple	15%	Rustic	20%	Cherry			30%	Sapele			<table border="1"> <tr> <td rowspan="3"><b>Paint</b></td> <td colspan="2">Available on Red Oak or Maple +</td> </tr> <tr> <td>10%</td> <td>Curated Paints</td> </tr> <tr> <td>20%</td> <td>Pick Your Paint</td> </tr> </table>		<b>Paint</b>	Available on Red Oak or Maple +		10%	Curated Paints	20%	Pick Your Paint
			<b>Wood Species</b>	0%	Red Oak																																		
0%	Beech			7%	Rustic																																		
4%	Alder			7%	Rustic																																		
5%	Hickory			10%	Rustic																																		
10%	Maple			15%	Rustic																																		
20%	Cherry																																						
30%	Sapele																																						
<b>Paint</b>	Available on Red Oak or Maple +																																						
	10%	Curated Paints																																					
	20%	Pick Your Paint																																					
<table border="1"> <tr> <td><b>Type</b></td> <td>Mitered</td> </tr> <tr> <td><b>Center Panel</b></td> <td>3/8" thick solid wood</td> </tr> <tr> <td><b>Stile Width</b></td> <td>3"</td> </tr> <tr> <td><b>Rail Width</b></td> <td>3"</td> </tr> </table>		<b>Type</b>	Mitered	<b>Center Panel</b>	3/8" thick solid wood	<b>Stile Width</b>	3"	<b>Rail Width</b>	3"																														
<b>Type</b>	Mitered																																						
<b>Center Panel</b>	3/8" thick solid wood																																						
<b>Stile Width</b>	3"																																						
<b>Rail Width</b>	3"																																						

**Door & panel appearance and size limits:**


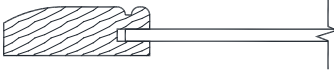
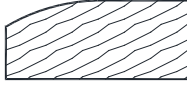
4" - <7" W	1-3/4" Stile & Rail 7" - <8-1/2" W	3" Stile & Rail 8-1/2" - 36" W	8-3/4" - 73" H
			

**Drawer front appearance and size limits:**


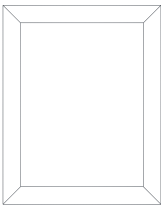
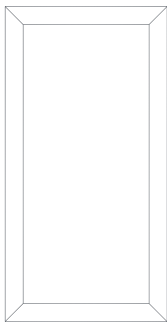
<b>SLAB</b>	Slab 2-1/2" – 18" H	<b>DFMD</b>	Slab 2-1/2" – <5-7/16" H	5-pc solid recessed panel 5-7/16" – 18" H
				






# Wood Doors

<b>Concord (CON)</b>  		<b>PRICE POINT: C13</b>		<b>Standard Edge Detail</b> 																						
<table border="1"> <tr> <td><b>Type</b></td> <td>Mitered</td> </tr> <tr> <td><b>Center Panel</b></td> <td>1/4" thick</td> </tr> <tr> <td><b>Stile Width</b></td> <td>2-1/4"</td> </tr> <tr> <td><b>Rail Width</b></td> <td>2-1/4"</td> </tr> </table>	<b>Type</b>	Mitered	<b>Center Panel</b>			1/4" thick	<b>Stile Width</b>	2-1/4"	<b>Rail Width</b>	2-1/4"	<table border="1"> <tr> <td rowspan="3" style="text-align: center;"><b>Overlays</b></td> <td>0%</td> <td>Modified</td> </tr> <tr> <td>10%</td> <td>Inset</td> </tr> <tr> <td>15%</td> <td>Beaded Inset</td> </tr> </table>		<b>Overlays</b>	0%	Modified	10%	Inset	15%	Beaded Inset	<table border="1"> <tr> <td rowspan="3" style="text-align: center;"><b>Hinges (per door)</b></td> <td>\$0</td> <td>Finial Ball (Inset only)</td> </tr> <tr> <td>\$0</td> <td>Concealed</td> </tr> <tr> <td>\$29</td> <td>Concealed IM</td> </tr> </table>		<b>Hinges (per door)</b>	\$0	Finial Ball (Inset only)	\$0	Concealed
	<b>Type</b>	Mitered																								
<b>Center Panel</b>	1/4" thick																									
<b>Stile Width</b>	2-1/4"																									
<b>Rail Width</b>	2-1/4"																									
<b>Overlays</b>	0%	Modified																								
	10%	Inset																								
	15%	Beaded Inset																								
<b>Hinges (per door)</b>	\$0	Finial Ball (Inset only)																								
	\$0	Concealed																								
	\$29	Concealed IM																								
		<table border="1"> <tr> <td rowspan="2" style="text-align: center;"><b>Drawer Fronts</b></td> <td>\$0</td> <td>Slab Only</td> </tr> <tr> <td>\$153</td> <td>DFMD</td> </tr> </table>		<b>Drawer Fronts</b>	\$0	Slab Only	\$153	DFMD	<table border="1"> <tr> <td rowspan="6" style="text-align: center;"><b>Prep for Glass</b></td> <td colspan="2" style="text-align: center;">                     RFG,                      MGD, MGDH, MGDN                      See pgs M-11 – M-12 for details                 </td> </tr> <tr> <td colspan="2" style="text-align: center;">                     Available on Red Oak or Maple +                 </td> </tr> <tr> <td style="text-align: center;"><b>Paint</b></td> <td>10%</td> <td>Curated Paints</td> </tr> <tr> <td></td> <td>20%</td> <td>Pick Your Paint</td> </tr> </table>		<b>Prep for Glass</b>	RFG, MGD, MGDH, MGDN See pgs M-11 – M-12 for details		Available on Red Oak or Maple +		<b>Paint</b>	10%	Curated Paints		20%	Pick Your Paint					
<b>Drawer Fronts</b>	\$0	Slab Only																								
	\$153	DFMD																								
<b>Prep for Glass</b>	RFG, MGD, MGDH, MGDN See pgs M-11 – M-12 for details																									
	Available on Red Oak or Maple +																									
	<b>Paint</b>	10%	Curated Paints																							
		20%	Pick Your Paint																							
			<table border="1"> <tr> <td rowspan="6" style="text-align: center;"><b>Wood Species</b></td> <td>0%</td> <td>Red Oak</td> </tr> <tr> <td>0%</td> <td>Beech</td> </tr> <tr> <td>5%</td> <td>Hickory</td> </tr> <tr> <td>6%</td> <td>Alder</td> </tr> <tr> <td>10%</td> <td>Maple</td> </tr> <tr> <td>20%</td> <td>Cherry</td> </tr> </table>		<b>Wood Species</b>	0%	Red Oak	0%	Beech	5%	Hickory	6%	Alder	10%	Maple	20%	Cherry									
	<b>Wood Species</b>	0%	Red Oak																							
0%		Beech																								
5%		Hickory																								
6%		Alder																								
10%		Maple																								
20%		Cherry																								


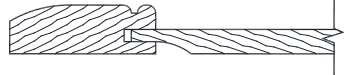
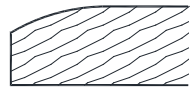
## Door & panel appearance and size limits:

4" - <7" W 	7" - 36" W 	8-3/4" - 73" H 
---	---	---


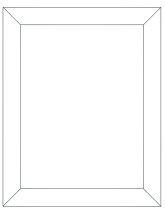
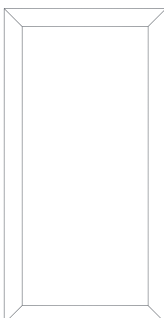
## Drawer front appearance and size limits:

<b>SLAB</b>	<b>Slab</b> 2-1/2" – 18" H  Slab front w/beveled edge	<b>DFMD</b>	<b>Slab</b> 2-1/2" – <5-7/16" H  Slab front w/beveled edge	<b>5-pc 1/4" recessed panel</b> 5-7/16" – 18" H  2-1/4" W stiles & rails
-------------	---	-------------	--	---




# Wood Doors

<p><b>Concord Solid (CONS)</b></p>  		<p><b>PRICE POINT: C5</b></p> <table border="1"> <tr> <td rowspan="3"><b>Overlays</b></td> <td>0%</td> <td>Modified</td> </tr> <tr> <td>10%</td> <td>Inset</td> </tr> <tr> <td>15%</td> <td>Beaded Inset</td> </tr> <tr> <td rowspan="3"><b>Hinges (per door)</b></td> <td>\$0</td> <td>Finial Ball (Inset only)</td> </tr> <tr> <td>\$0</td> <td>Concealed</td> </tr> <tr> <td>\$29</td> <td>Concealed IM</td> </tr> <tr> <td rowspan="2"><b>Drawer Fronts</b></td> <td>\$0</td> <td>Slab</td> </tr> <tr> <td>\$153</td> <td>DFMD</td> </tr> <tr> <td rowspan="7"><b>Wood Species</b></td> <td>0%</td> <td>Red Oak</td> </tr> <tr> <td>0%</td> <td>Beech</td> <td>7% Rustic</td> </tr> <tr> <td>4%</td> <td>Alder</td> <td>7% Rustic</td> </tr> <tr> <td>5%</td> <td>Hickory</td> <td>10% Rustic</td> </tr> <tr> <td>10%</td> <td>Maple</td> <td>15% Rustic</td> </tr> <tr> <td>20%</td> <td>Cherry</td> <td></td> </tr> <tr> <td>30%</td> <td>Sapele</td> <td></td> </tr> </table>		<b>Overlays</b>	0%	Modified	10%	Inset	15%	Beaded Inset	<b>Hinges (per door)</b>	\$0	Finial Ball (Inset only)	\$0	Concealed	\$29	Concealed IM	<b>Drawer Fronts</b>	\$0	Slab	\$153	DFMD	<b>Wood Species</b>	0%	Red Oak	0%	Beech	7% Rustic	4%	Alder	7% Rustic	5%	Hickory	10% Rustic	10%	Maple	15% Rustic	20%	Cherry		30%	Sapele		<p><b>Standard Edge Detail</b></p> 	
					<b>Overlays</b>	0%	Modified																																						
10%	Inset																																												
15%	Beaded Inset																																												
<b>Hinges (per door)</b>	\$0	Finial Ball (Inset only)																																											
	\$0	Concealed																																											
	\$29	Concealed IM																																											
<b>Drawer Fronts</b>	\$0	Slab																																											
	\$153	DFMD																																											
<b>Wood Species</b>	0%	Red Oak																																											
	0%	Beech	7% Rustic																																										
	4%	Alder	7% Rustic																																										
	5%	Hickory	10% Rustic																																										
	10%	Maple	15% Rustic																																										
	20%	Cherry																																											
	30%	Sapele																																											
<table border="1"> <tr> <td><b>Type</b></td> <td>Mitered</td> </tr> <tr> <td><b>Center Panel</b></td> <td>3/8" thick solid wood</td> </tr> <tr> <td><b>Stile Width</b></td> <td>2-1/4"</td> </tr> <tr> <td><b>Rail Width</b></td> <td>2-1/4"</td> </tr> </table>		<b>Type</b>	Mitered	<b>Center Panel</b>	3/8" thick solid wood	<b>Stile Width</b>	2-1/4"	<b>Rail Width</b>	2-1/4"	<p><b>Prep for Glass</b></p> <p>RFG, MGD, MGDH, MGDN</p> <p>See pgs M-11 – M-12 for details</p>																																			
<b>Type</b>	Mitered																																												
<b>Center Panel</b>	3/8" thick solid wood																																												
<b>Stile Width</b>	2-1/4"																																												
<b>Rail Width</b>	2-1/4"																																												
		<p><b>Paint</b></p> <p>Available on Red Oak or Maple +</p> <table border="1"> <tr> <td>10%</td> <td>Curated Paints</td> </tr> <tr> <td>20%</td> <td>Pick Your Paint</td> </tr> </table>		10%	Curated Paints	20%	Pick Your Paint																																						
10%	Curated Paints																																												
20%	Pick Your Paint																																												





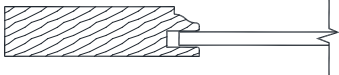
## Door & panel appearance and size limits:

4" - <7" W	7" - 36" W	8-3/4" - 73" H
		


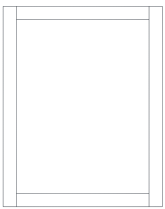
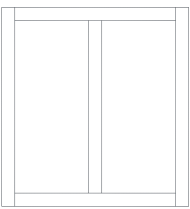
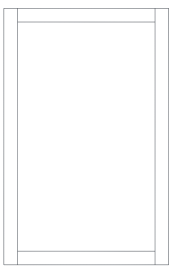
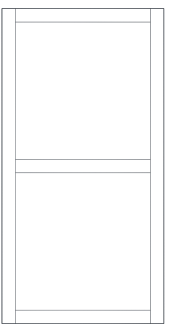
## Drawer front appearance and size limits:

<b>SLAB</b>	<p><b>Slab</b> 2-1/2" – 18" H</p>  <p>Slab front w/beveled edge</p>	<b>DFMD</b>	<p><b>Slab</b> 2-1/2" – &lt;5-7/16" H</p>  <p>Slab front w/beveled edge</p>	<p><b>5-pc solid recessed panel</b> 5-7/16" – 18" H</p>  <p>2-1/4" W stiles &amp; rails</p>
-------------	--	-------------	--	--




# Wood Doors

<b>Cortina (CRT)</b>																			
	<b>PRICE POINT: C12</b>		  																
	<b>Overlays</b>	<table border="1"> <tr><td>0%</td><td>Modified</td></tr> <tr><td>10%</td><td>Inset</td></tr> <tr><td>15%</td><td>Beaded Inset</td></tr> </table>				0%	Modified	10%	Inset	15%	Beaded Inset								
0%	Modified																		
10%	Inset																		
15%	Beaded Inset																		
<b>Hinges (per door)</b>	\$0	Finial Ball (Inset only)	<b>Prep for Glass</b>																
	\$0	Concealed																	
	\$29	Concealed IM																	
<b>Drawer Fronts</b>	\$0	Slab Only	RFG, MGD, MGDC, MGDH, MGDN, MGDX  See pgs M-11 – M-13 for details																
	\$153	DFMD																	
<b>Wood Species</b>	0%	Red Oak	<b>Paint</b>																
	0%	Beech																	
	0%	Hickory																	
	6%	Alder																	
	10%	Maple																	
	20%	Cherry																	
<table border="1"> <tr><td><b>Type</b></td><td>Mortise &amp; Tenon</td></tr> <tr><td><b>Center Panel</b></td><td>1/4" thick</td></tr> <tr><td><b>Stile Width</b></td><td>3"</td></tr> <tr><td><b>Rail Width</b></td><td>3"</td></tr> </table>		<b>Type</b>	Mortise & Tenon	<b>Center Panel</b>	1/4" thick	<b>Stile Width</b>	3"	<b>Rail Width</b>	3"			<table border="1"> <tr><td colspan="2">Available on Red Oak or Maple +</td></tr> <tr><td>10%</td><td>Curated Paints</td></tr> <tr><td>20%</td><td>Pick Your Paint</td></tr> </table>		Available on Red Oak or Maple +		10%	Curated Paints	20%	Pick Your Paint
<b>Type</b>	Mortise & Tenon																		
<b>Center Panel</b>	1/4" thick																		
<b>Stile Width</b>	3"																		
<b>Rail Width</b>	3"																		
Available on Red Oak or Maple +																			
10%	Curated Paints																		
20%	Pick Your Paint																		





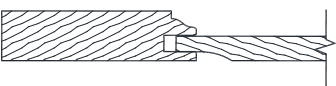
## Door & panel appearance and size limits:

4" - <7" W	7" - 27" W	Center Mullion Added >27" - 36" W		8-3/4" - 52" H	Center Rail Added >52" - 73" H
					
Doors under 7-1/2" wide: stiles vary by width					


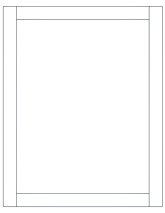
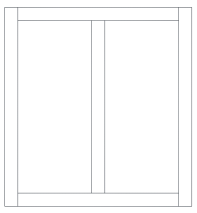

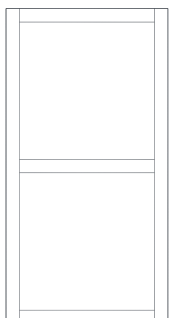
## Drawer front appearance and size limits:

<b>SLAB</b>	<b>Slab</b> 2-1/2" - 18" H 		<b>DFMD</b> <b>Slab</b> 2-1/2" - 4-1/4" H 	<b>5-pc 1/4" recessed panel</b> 4-1/4" - 18" H 
	Rail height will vary based on drawer front height			



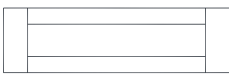
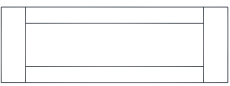
# Wood Doors

<b>Cortina Solid (CRTS)</b>		<b>PRICE POINT: C14</b>		  															
		<b>Overlays</b>	0% Modified			<b>Prep for Glass</b> RFG, MGD, MGDC, MGDH, MGDN, MGDX See pgs M-11 – M-13 for details													
			10% Inset																
			15% Beaded Inset																
<b>Hinges (per door)</b>	\$0	Final Ball (Inset only)	<b>Paint</b> Available on Red Oak or Maple + 10% Curated Paints 20% Pick Your Paint																
	\$0	Concealed																	
	\$29	Concealed IM																	
<b>Drawer Fronts</b>	\$0	Slab	<b>Wood Species</b> 0% Red Oak 0% Hickory    5% Rustic 0% Beech      7% Rustic 4% Alder      7% Rustic 10% Maple    15% Rustic 20% Cherry 30% Sapele 40% Black Walnut																
	\$153	DFMD																	
<b>Wood Species</b> 0% Red Oak 0% Hickory    5% Rustic 0% Beech      7% Rustic 4% Alder      7% Rustic 10% Maple    15% Rustic 20% Cherry 30% Sapele 40% Black Walnut		<b>Prep for Glass</b> RFG, MGD, MGDC, MGDH, MGDN, MGDX See pgs M-11 – M-13 for details																	
					<b>Paint</b> Available on Red Oak or Maple + 10% Curated Paints 20% Pick Your Paint														
							<b>Paint</b> Available on Red Oak or Maple + 10% Curated Paints 20% Pick Your Paint												
									<b>Paint</b> Available on Red Oak or Maple + 10% Curated Paints 20% Pick Your Paint										
											<b>Paint</b> Available on Red Oak or Maple + 10% Curated Paints 20% Pick Your Paint								
													<b>Paint</b> Available on Red Oak or Maple + 10% Curated Paints 20% Pick Your Paint						
															<b>Paint</b> Available on Red Oak or Maple + 10% Curated Paints 20% Pick Your Paint				
																	<b>Paint</b> Available on Red Oak or Maple + 10% Curated Paints 20% Pick Your Paint		
				<b>Paint</b> Available on Red Oak or Maple + 10% Curated Paints 20% Pick Your Paint															
																			<b>Paint</b> Available on Red Oak or Maple + 10% Curated Paints 20% Pick Your Paint



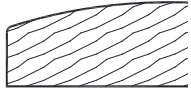
## Door & panel appearance and size limits:

4" - <7" W	7" - 27" W	Center Mullion Added >27" - 36" W	8-3/4" - 52" H	Center Rail Added >52" - 73" H
				
Doors under 7-1/2" wide: stiles vary by width				


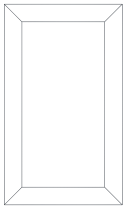
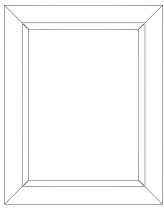
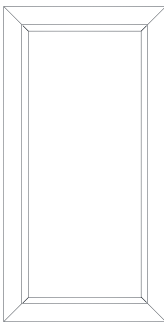
## Drawer front appearance and size limits:

<b>SLAB</b>	Slab 2-1/2" - 18" H	<b>DFMD</b>	Slab 2-1/2" - <4-1/4" H	5-pc 1/4" recessed panel 4-1/4" - <5-7/16" H	5-pc solid recessed panel 5-7/16" - 18" H
					
Rail height will vary based on drawer front height					




# Wood Doors

<b>Coventry (CTR)</b>  		<b>PRICE POINT: C5</b>		<b>Standard Edge Detail</b> 																																																									
<table border="1"> <tr> <td><b>Type</b></td> <td>Mitered</td> </tr> <tr> <td><b>Center Panel</b></td> <td>3/4" thick solid wood</td> </tr> <tr> <td><b>Stile Width</b></td> <td>2-1/4"</td> </tr> <tr> <td><b>Rail Width</b></td> <td>2-1/4"</td> </tr> </table>		<b>Type</b>	Mitered			<b>Center Panel</b>	3/4" thick solid wood	<b>Stile Width</b>	2-1/4"	<b>Rail Width</b>	2-1/4"	<table border="1"> <tr> <td rowspan="3"><b>Overlays</b></td> <td>0%</td> <td>Modified</td> </tr> <tr> <td>10%</td> <td>Inset</td> </tr> <tr> <td>15%</td> <td>Beaded Inset</td> </tr> <tr> <td rowspan="3"><b>Hinges (per door)</b></td> <td>\$0</td> <td>Finial Ball (Inset only)</td> </tr> <tr> <td>\$0</td> <td>Concealed</td> </tr> <tr> <td>\$29</td> <td>Concealed IM</td> </tr> <tr> <td rowspan="2"><b>Drawer Fronts</b></td> <td>\$0</td> <td>Slab</td> </tr> <tr> <td>\$153</td> <td>DFMD</td> </tr> <tr> <td rowspan="7"><b>Wood Species</b></td> <td>0%</td> <td>Red Oak</td> </tr> <tr> <td>0%</td> <td>Beech</td> <td>7% Rustic</td> </tr> <tr> <td>4%</td> <td>Alder</td> <td>7% Rustic</td> </tr> <tr> <td>5%</td> <td>Hickory</td> <td>10% Rustic</td> </tr> <tr> <td>10%</td> <td>Maple</td> <td>15% Rustic</td> </tr> <tr> <td>20%</td> <td>Cherry</td> <td></td> </tr> <tr> <td>30%</td> <td>Sapele</td> <td></td> </tr> </table>		<b>Overlays</b>	0%	Modified	10%	Inset	15%	Beaded Inset	<b>Hinges (per door)</b>	\$0	Finial Ball (Inset only)	\$0	Concealed	\$29	Concealed IM	<b>Drawer Fronts</b>	\$0	Slab	\$153	DFMD	<b>Wood Species</b>	0%	Red Oak	0%	Beech	7% Rustic	4%	Alder	7% Rustic	5%	Hickory	10% Rustic	10%	Maple	15% Rustic	20%	Cherry		30%	Sapele		<table border="1"> <tr> <td rowspan="3"><b>Prep for Glass</b></td> <td colspan="2">                     RFG,                      MGD, MGDH, MGDN                      See pgs M-11 – M-12 for details                 </td> </tr> <tr> <td rowspan="2"><b>Paint</b></td> <td>Available on Red Oak or Maple +</td> </tr> <tr> <td>10% Curated Paints</td> </tr> <tr> <td></td> <td>20% Pick Your Paint</td> </tr> </table>		<b>Prep for Glass</b>	RFG, MGD, MGDH, MGDN See pgs M-11 – M-12 for details		<b>Paint</b>	Available on Red Oak or Maple +	10% Curated Paints
		<b>Type</b>	Mitered																																																										
<b>Center Panel</b>	3/4" thick solid wood																																																												
<b>Stile Width</b>	2-1/4"																																																												
<b>Rail Width</b>	2-1/4"																																																												
<b>Overlays</b>	0%	Modified																																																											
	10%	Inset																																																											
	15%	Beaded Inset																																																											
<b>Hinges (per door)</b>	\$0	Finial Ball (Inset only)																																																											
	\$0	Concealed																																																											
	\$29	Concealed IM																																																											
<b>Drawer Fronts</b>	\$0	Slab																																																											
	\$153	DFMD																																																											
<b>Wood Species</b>	0%	Red Oak																																																											
	0%	Beech	7% Rustic																																																										
	4%	Alder	7% Rustic																																																										
	5%	Hickory	10% Rustic																																																										
	10%	Maple	15% Rustic																																																										
	20%	Cherry																																																											
	30%	Sapele																																																											
<b>Prep for Glass</b>	RFG, MGD, MGDH, MGDN See pgs M-11 – M-12 for details																																																												
	<b>Paint</b>	Available on Red Oak or Maple +																																																											
		10% Curated Paints																																																											
	20% Pick Your Paint																																																												


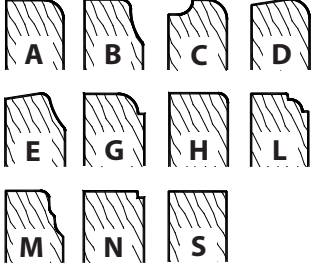
## Door & panel appearance and size limits:

4" - <7" W	7" - <7-1/2" W	7-1/2" - 36" W	8-3/4" - 73" H
			
	Recessed solid panel	Raised panel	


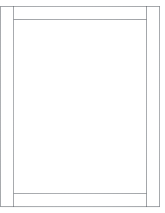
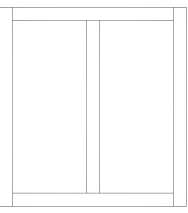
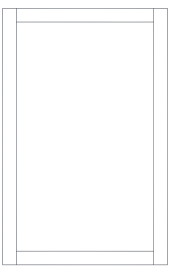
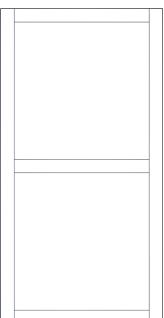
## Drawer front appearance and size limits:

<b>SLAB</b>	<b>Slab</b> 2-1/2" – 18" H 	.....	<b>Slab</b> 2-1/2" – <5-7/16" H 	<b>5-pc recessed panel</b> 5-7/16" – 18" H 
	Slab front w/beveled edge		Slab front w/beveled edge	2-1/4" W stiles & rails




# Wood Doors

<b>Duet (DUT)</b>					
		<b>PRICE POINT: C14</b>			
		<b>Overlays</b>	0%		
10%	Inset		<b>Paint</b>	Available on Red Oak or Maple +	
15%	Beaded Inset			10% Curated Paints	
<b>Hinges (per door)</b>	\$0	Finial Ball (Inset only)	20% Pick Your Paint		
	\$0	Concealed			
	\$29	Concealed IM			
<b>Drawer Fronts</b>	\$0	Slab Only			
	\$153	DFMD			
<b>Wood Species</b>	0%	Red Oak			
	0%	Beech			
	0%	Hickory			
	6%	Alder			
	10%	Maple			
	10%	Maple			
	20%	Cherry			
<b>Type</b>	Mortise & Tenon				
<b>Center Panel</b>	1/4" thick				
<b>Stile Width</b>	2-1/4"				
<b>Rail Width</b>	4"				


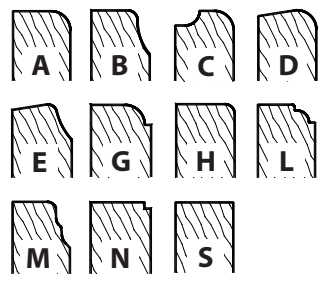
## Door & panel appearance and size limits:

4" - <7" W	7" - 27" W	<b>Center Mullion Added</b> >27" - 36" W		8-13/16" - 52" H	<b>Center Rail Added</b> >52" - 73" H
					
Doors under 7-1/2" wide: stiles vary by width					


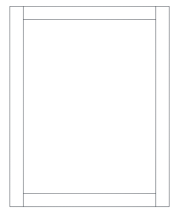
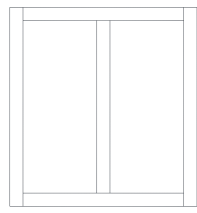
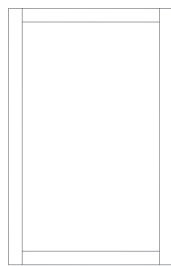
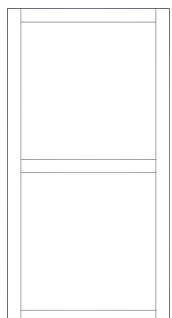
## Drawer front appearance and size limits:

<b>SLAB</b>	<b>Slab</b> 2-1/2" - 18" H		<b>DFMD</b>	<b>3-piece Slab</b> 2-1/2" - <4-1/4" H	<b>5-pc 1/4" recessed panel</b> 4-1/4" - 18" H
					
Rail height will vary based on drawer front height					





# Wood Doors

<b>Duet Solid (DUTS)</b> 		<b>PRICE POINT: C15</b>							
<b>Overlays</b>	0%	Modified						<b>Hinges (per door)</b>	\$0
	10%	Inset		\$0		Concealed			
15%	Beaded Inset		\$29		Concealed IM				
<b>Drawer Fronts</b>	\$0		Slab		<b>Wood Species</b>	0%		Red Oak	
	\$153		DFMD			0%		Hickory	7%
		0%		Beech	7%	Rustic			
		4%		Alder	7%	Rustic			
		10%		Maple	15%	Rustic			
		20%		Cherry					
		30%		Sapele					
		0%		Red Oak					
<b>Prep for Glass</b>	RFG, MGD, MGDC, MGDH, MGDX  See pgs M-11 – M-13 for details								
	<b>Paint</b>	Available on Red Oak or Maple +							
		10%	Curated Paints						
20%		Pick Your Paint							





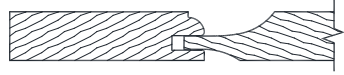
## Door & panel appearance and size limits:

4" - <7" W	7" - 27" W	Center Mullion Added >27" - 36" W	8-13/16" - 52" H*	Center Rail Added >52" - 73" H
				
Doors under 7-1/2" wide: stiles vary by width				

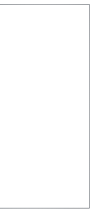
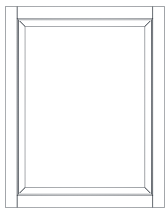
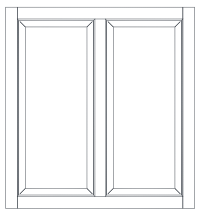
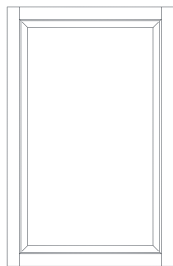
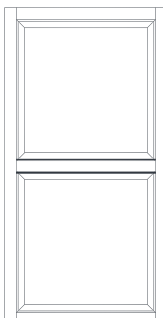
## Drawer front appearance and size limits:

<b>SLAB</b>	Slab 2-1/2" - 18" H 	<b>DFMD</b>	3-piece Slab 2-1/2" - <4-1/4" H 	5-pc 1/4" recessed panel 4-1/4" - <5-7/16" H 	5-pc solid recessed panel 5-7/16" - 18" H 





# Wood Doors

Emerson (EME)		<b>PRICE POINT: C14</b>		  	
		<b>Overlays</b>	0% Modified		
			10% Inset	\$0 Concealed	
15% Beaded Inset	\$29 Concealed IM				
<b>Drawer Fronts</b>	\$0 Slab	<b>Wood Species</b>	0% Red Oak	<b>Prep for Glass</b>	RFG, MGD, MGDC, MGDH, MGDN, MGDX
	\$153 DFMD		0% Hickory 5% Rustic		See pgs M-11 – M-13 for details
<b>Type</b>	Mortise & Tenon	<b>Paint</b>	0% Beech 7% Rustic	Available on Red Oak or Maple +	
	Center Panel 3/4" thick solid wood		10% Curated Paints		
	Stile Width 3"		20% Pick Your Paint		
	Rail Width 3"				

## Door & panel appearance and size limits:


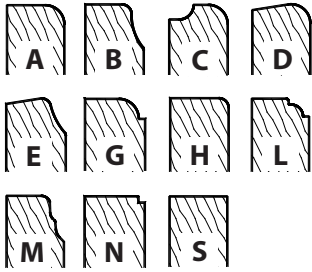
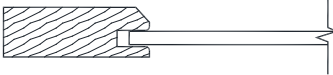
4" - <9" W	9" - 27" W	Center Mullion Added >27" - 36" W	8-15/16" - 52" H	Center Rail Added >52" - 73" H
				
Doors under 7-1/2" wide: stiles vary by width				

## Drawer front appearance and size limits:


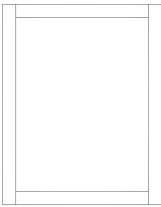
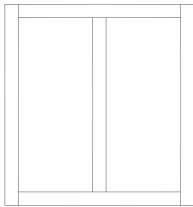
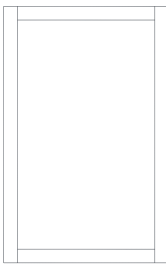
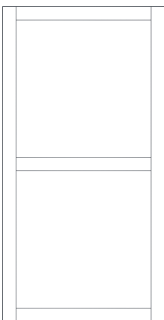
<b>SLAB</b>	Slab 2-1/2" - 18" H	<b>DFMD</b>	Slab 2-1/2" - <4-1/4" H	5-pc 1/4" recessed panel 4-1/4" - <5-7/16" H	5-pc solid raised panel 5-7/16" - 18" H
					
Rail height will vary based on drawer front height					





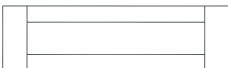
# Wood Doors

<b>Equinox (EQU)</b>													
	<b>PRICE POINT: C9</b>												
	<b>Overlays</b>	0% Modified 10% Inset 15% Beaded Inset											
	<b>Hinges (per door)</b>	\$0 Finial Ball (Inset only) \$0 Concealed \$29 Concealed IM	<b>Prep for Glass</b>										
	<b>Drawer Fronts</b>	\$0 Slab Only \$153 DFMD	RFG, MGD, MGDH, MGDN  See pgs M-11 – M-12 for details										
	<b>Wood Species</b>	0% Red Oak 0% Beech 0% Hickory 6% Alder 10% Maple 20% Cherry	<b>Paint</b>										
<table border="1"> <tr> <td style="text-align: center;"><b>Type</b></td> <td style="text-align: center;">Mortise &amp; Tenon</td> </tr> <tr> <td style="text-align: center;"><b>Center Panel</b></td> <td style="text-align: center;">1/4" thick</td> </tr> <tr> <td style="text-align: center;"><b>Stile Width</b></td> <td style="text-align: center;">2-1/4"</td> </tr> <tr> <td style="text-align: center;"><b>Rail Width</b></td> <td style="text-align: center;">2-1/4"</td> </tr> </table>	<b>Type</b>	Mortise & Tenon	<b>Center Panel</b>	1/4" thick	<b>Stile Width</b>	2-1/4"	<b>Rail Width</b>	2-1/4"			Available on Red Oak or Maple + 10% Curated Paints 20% Pick Your Paint		
<b>Type</b>	Mortise & Tenon												
<b>Center Panel</b>	1/4" thick												
<b>Stile Width</b>	2-1/4"												
<b>Rail Width</b>	2-1/4"												

**Door & panel appearance and size limits:**

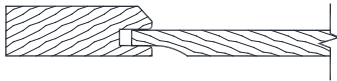
4" - <7" W	7" - 27" W	Center Mullion Added >27" - 36" W	8-3/4" - 52" H	Center Rail Added >52" - 73" H
				

**Drawer front appearance and size limits:**

<b>SLAB</b>	Slab 2-1/2" – 18" H  	<b>DFMD</b>	Slab 2-1/2" – <4-1/4" H  	5-pc 1/4" recessed panel 4-1/4" – 18" H    Rail height will vary based on drawer front height
-------------	---	-------------	---	--

# Wood Doors

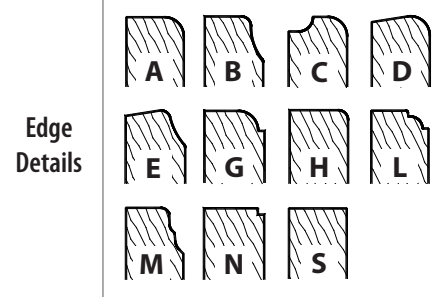
## Equinox Solid (EQUUS)



Type	Mortise & Tenon
Center Panel	3/8" thick solid wood
Stile Width	2-1/4"
Rail Width	2-1/4"

### PRICE POINT: C12

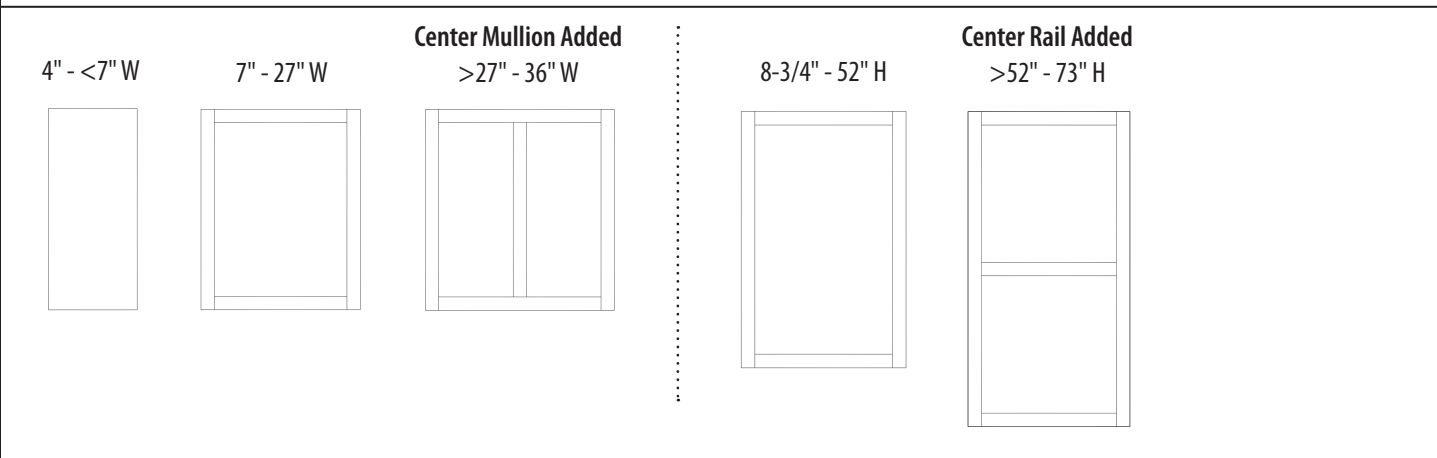
Overlays	0%	Modified	
	10%	Inset	
	15%	Beaded Inset	
Hinges (per door)	\$0	Finial Ball (Inset only)	
	\$0	Concealed	
	\$29	Concealed IM	
Drawer Fronts	\$0	Slab	
	\$153	DFMD	
Wood Species	0%	Red Oak	
	0%	Hickory	5% Rustic
	0%	Beech	7% Rustic
	4%	Alder	7% Rustic
	10%	Maple	15% Rustic
	20%	Cherry	
	30%	Sapele	
	40%	Black Walnut	



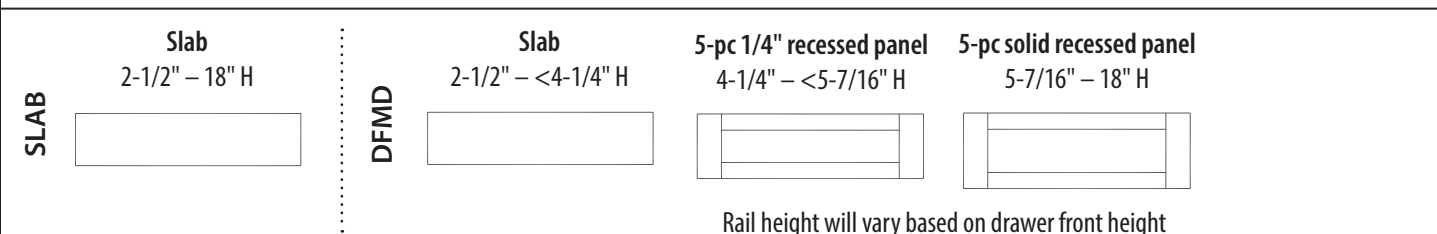
Prep for Glass	RFG, MGD, MGDH, MGDN,
	See pgs M-11 – M-12 for details

Paint	Available on Red Oak or Maple +
	10% Curated Paints
	20% Pick Your Paint

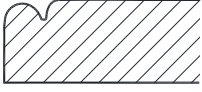


### Door & panel appearance and size limits:





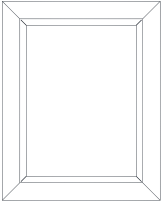
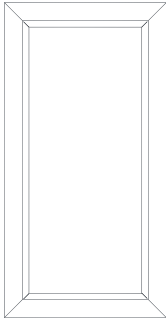
### Drawer front appearance and size limits:






# Wood Doors

Fairfax (FFX)		<b>PRICE POINT: C15</b>		<b>Standard Edge Detail</b> 
  	<b>Overlays</b>	0%	Modified	
		10%	Inset	
		15%	Beaded Inset	
	<b>Hinges (per door)</b>	\$0	Finial Ball (Inset only)	
		\$0	Concealed	
		\$29	Concealed IM	
	<b>Drawer Fronts</b>	\$0	Slab	
\$0		DFMD		
<b>Wood Species</b>	0%	Red Oak		
	0%	Beech	7%	Rustic
	4%	Alder	7%	Rustic
	5%	Hickory	10%	Rustic
	10%	Maple	15%	Rustic
	20%	Cherry		
	30%	Sapele		
<b>Type</b>	Mitered			
	<b>Center Panel</b>	3/4" thick solid wood		
<b>Stile Width</b>	3"			
<b>Rail Width</b>	3"			
<b>Prep for Glass</b>	RFG, MGD, MGDH, MGDN			
	See pgs M-11 – M-12 for details			
	<b>Paint</b>	Available on Red Oak or Maple +		
10%		Curated Paints		
20%		Pick Your Paint		


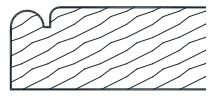
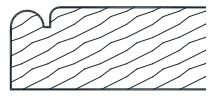
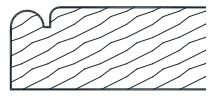
## Door & panel appearance and size limits:

4" - <7" W	1-3/4" Stile & Rail 7" - <9" W	3" Stile & Rail 9" - 36" W	8-3/4" - 73" H
			
	Recessed solid panel	Raised panel	


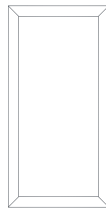
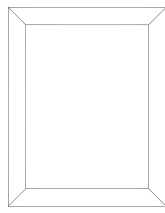
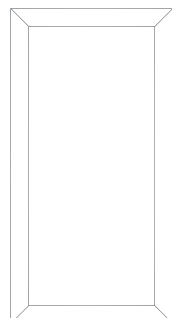
## Drawer front appearance and size limits:

<b>SLAB</b>	<b>Slab</b> 2-1/2" – 18" H	<b>DFMD</b>	<b>Slab</b> 2-1/2" – <5-7/16" H	<b>5-pc solid recessed panel</b> 5-7/16" – 18" H
				
			1-3/4" W stiles & rails	




# Wood Doors

<b>Falmouth (FLM)</b>																						
		<b>PRICE POINT: C14</b>		<table border="1"> <tr> <td rowspan="3"><b>Standard Edge Detail</b></td> <td colspan="2"></td> </tr> <tr> <td rowspan="2"><b>Prep for Glass</b></td> <td colspan="2" style="text-align: center;">RFG, MGD, MGDH, MGDN</td> </tr> <tr> <td colspan="2">See pgs M-11 – M-12 for details</td> </tr> <tr> <td rowspan="3"><b>Paint</b></td> <td colspan="2">Available on Red Oak or Maple +</td> </tr> <tr> <td>10%</td> <td colspan="2">Curated Paints</td> </tr> <tr> <td>20%</td> <td colspan="2">Pick Your Paint</td> </tr> </table>		<b>Standard Edge Detail</b>			<b>Prep for Glass</b>	RFG, MGD, MGDH, MGDN		See pgs M-11 – M-12 for details		<b>Paint</b>	Available on Red Oak or Maple +		10%	Curated Paints		20%	Pick Your Paint	
		<b>Standard Edge Detail</b>																				
<b>Prep for Glass</b>	RFG, MGD, MGDH, MGDN																					
	See pgs M-11 – M-12 for details																					
<b>Paint</b>	Available on Red Oak or Maple +																					
	10%	Curated Paints																				
	20%	Pick Your Paint																				
		<b>Overlays</b>	0%	Modified																		
			10%	Inset																		
			15%	Beaded Inset																		
		<b>Hinges (per door)</b>	\$0	Finial Ball (Inset only)																		
			\$0	Concealed																		
			\$29	Concealed IM																		
		<b>Drawer Fronts</b>	\$0	Slab Only																		
			\$0	DFMD																		
		<b>Wood Species</b>	0%	Red Oak																		
			0%	Beech																		
			5%	Hickory																		
			6%	Alder																		
			10%	Maple																		
			20%	Cherry																		
<b>Type</b>	Mitered																					
<b>Center Panel</b>	1/4" thick																					
<b>Stile Width</b>	3"																					
<b>Rail Width</b>	3"																					




## Door & panel appearance and size limits:

4" - <7" W	1-3/4" Stile & Rail 7" - <8-1/2" W	3" Stile & Rail 8-1/2" - 36" W	8-3/4" - 73" H
			


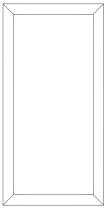
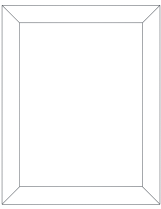
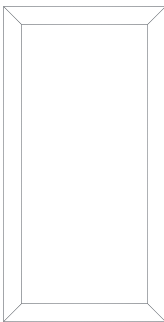
## Drawer front appearance and size limits:

<b>SLAB</b>	Slab 2-1/2" – 18" H	<b>DFMD</b>	Slab 2-1/2" – <5-7/16" H	5-pc 1/4" recessed panel 5-7/16" – 18" H
				
1-3/4" W stiles & rails				




# Wood Doors

<b>Falmouth Solid (FLMS)</b>		<b>PRICE POINT: C15</b>		<b>Standard Edge Detail</b>					
		<b>Overlays</b>	0% Modified			<b>Prep for Glass</b>	RFG, MGD, MGDH, MGDN  See pgs M-11 – M-12 for details		
			10% Inset						
			15% Beaded Inset						
<b>Hinges (per door)</b>	<b>Drawer Fronts</b>	<b>Wood Species</b>	\$0 Finial Ball (Inset only)	<b>Paint</b>	Available on Red Oak or Maple +				
			\$0 Concealed			10% Curated Paints			
			\$29 Concealed IM	\$0 Slab	20% Pick Your Paint				
\$0 DFMD	0% Red Oak	0% Beech    7% Rustic							
<b>Type</b>	<b>Mitered</b>		<b>Center Panel</b>	<b>3/8" thick solid wood</b>	<b>Stile Width</b>	<b>3"</b>	<b>Rail Width</b>	<b>3"</b>	<b>10% Cherry</b>
		0% Alder    7% Rustic							
		5% Hickory    10% Rustic							
		10% Maple    15% Rustic							
		20% Cherry							
		30% Sapele							


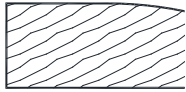
**Door & panel appearance and size limits:**

4" - <7" W	1-3/4" Stile & Rail 7" - <8-1/2" W	3" Stile & Rail 8-1/2" - 36" W	8-3/4" - 73" H
			


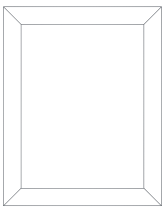
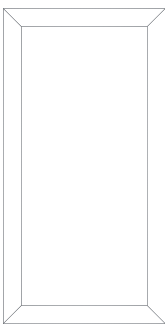
**Drawer front appearance and size limits:**

<b>SLAB</b>	<b>Slab</b> 2-1/2" – 18" H	<b>DFMD</b>	<b>Slab</b> 2-1/2" – <5-7/16" H	<b>5-pc solid recessed panel</b> 5-7/16" – 18" H
				




# Wood Doors

<p><b>Galloway (GAL)</b></p> 		<b>PRICE POINT: C13</b>		<p><b>Standard Edge Detail</b></p> 							
		<p><b>Overlay</b></p>	<p>0% Modified</p>		<p><b>Prep for Glass</b></p>	<p>RFG</p> <p>See pg M-11 for details</p>					
<p><b>Hinges (per door)</b></p>	<p>\$0 Concealed</p> <p>\$29 Concealed IM</p>	<p><b>Drawer Fronts</b></p>	<p>\$0 Slab Only</p> <p>\$0 DFMD</p>	<p><b>Paint</b></p> <p>Available on Red Oak or Maple +</p> <p>10% Curated Paints</p> <p>20% Pick Your Paint</p>							
<p><b>Wood Species</b></p>	<p>0% Red Oak</p>		<p><b>Prep for Glass</b></p>		<p>See pg M-11 for details</p>						
	<p>0% Beech</p>										
	<p>5% Hickory</p>										
	<p>6% Alder</p>										
	<p>10% Maple</p>										
<p>20% Cherry</p>											
<table border="1"> <tr> <td><b>Type</b></td> <td>Mitered</td> </tr> <tr> <td><b>Center Panel</b></td> <td>1/4" thick</td> </tr> <tr> <td><b>Stile Width</b></td> <td>2-1/4"</td> </tr> <tr> <td><b>Rail Width</b></td> <td>2-1/4"</td> </tr> </table>	<b>Type</b>	Mitered	<b>Center Panel</b>	1/4" thick	<b>Stile Width</b>	2-1/4"	<b>Rail Width</b>	2-1/4"			
<b>Type</b>	Mitered										
<b>Center Panel</b>	1/4" thick										
<b>Stile Width</b>	2-1/4"										
<b>Rail Width</b>	2-1/4"										

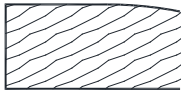

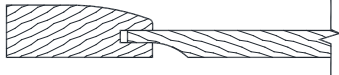
**Door & panel appearance and size limits:**

<p>4" - &lt;7" W</p> 	<p>7" - 36" W</p> 	<p>8-3/4" - 73" H</p> 
--	---	---


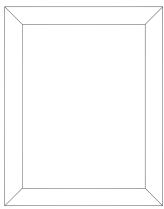
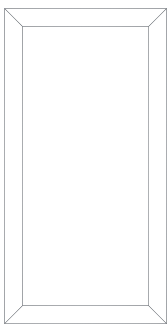
**Drawer front appearance and size limits:**

<p><b>SLAB</b></p>	<p><b>Slab</b></p> <p>2-1/2" - 18" H</p> 	<p><b>DFMD</b></p>	<p><b>Slab</b></p> <p>2-1/2" - &lt;5-7/16" H</p> 	<p><b>5-pc 1/4" recessed panel</b></p> <p>5-7/16" - 18" H</p>  <p>1-3/4" W stiles &amp; rails</p>
--------------------	--	--------------------	--	--




# Wood Doors

<b>Galloway Solid (GALS)</b>		<b>PRICE POINT: C15</b>		<b>Standard Edge Detail</b> 	
	<b>Overlay</b>		0% Modified		
		<b>Hinges (per door)</b>		\$0 Concealed	
		\$29 Concealed IM			
	<b>Drawer Fronts</b>		\$0 Slab		
			\$0 DFMD		
<b>Wood Species</b>	0% Red Oak				
	0% Beech	7% Rustic			
	4% Alder	7% Rustic			
	5% Hickory	10% Rustic			
	10% Maple	15% Rustic			
	20% Cherry				
	30% Sapele				
<b>Type</b>		Mitered			
<b>Center Panel</b>	3/8" thick solid wood				
<b>Stile Width</b>	2-1/4"				
<b>Rail Width</b>	2-1/4"				
<b>Prep for Glass</b>		RFG			
		See pg M-11 for details			
<b>Paint</b>		Available on Red Oak or Maple +			
		10%	Curated Paints		
		20%	Pick Your Paint		





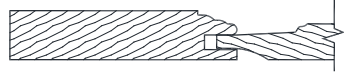
## Door & panel appearance and size limits:

4" - <7" W	7" - 36" W	8-3/4" - 73" H
		


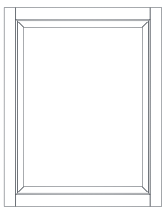
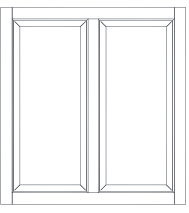
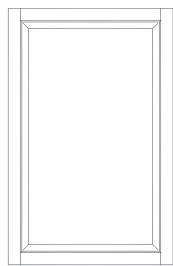
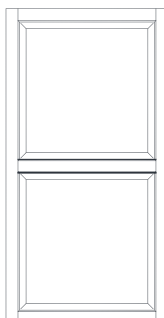
## Drawer front appearance and size limits:

<b>SLAB</b>	<b>Slab</b> 2-1/2" - 18" H	<b>DFMD</b>	<b>Slab</b> 2-1/2" - <5-7/16" H	<b>5-pc recessed panel</b> 5-7/16" - 18" H
				




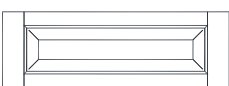
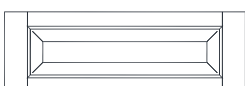
# Wood Doors

<b>Garrison (GAR)</b>		<b>PRICE POINT: C16</b>		  																																	
		<table border="1"> <tr> <td rowspan="3"><b>Overlays</b></td> <td>0%</td> <td>Modified</td> </tr> <tr> <td>10%</td> <td>Inset</td> </tr> <tr> <td>15%</td> <td>Beaded Inset</td> </tr> </table>	<b>Overlays</b>			0%	Modified	10%	Inset	15%	Beaded Inset	<table border="1"> <tr> <td rowspan="3"><b>Hinges (per door)</b></td> <td>\$0</td> <td>Finial Ball (Inset only)</td> </tr> <tr> <td>\$0</td> <td>Concealed</td> </tr> <tr> <td>\$29</td> <td>Concealed IM</td> </tr> </table>		<b>Hinges (per door)</b>	\$0	Finial Ball (Inset only)	\$0	Concealed	\$29	Concealed IM																	
						<b>Overlays</b>	0%	Modified																													
				10%	Inset																																
15%	Beaded Inset																																				
<b>Hinges (per door)</b>	\$0	Finial Ball (Inset only)																																			
	\$0	Concealed																																			
	\$29	Concealed IM																																			
<table border="1"> <tr> <td rowspan="2"><b>Drawer Fronts</b></td> <td>\$0</td> <td>Slab</td> </tr> <tr> <td>\$0</td> <td>DFMD</td> </tr> </table>		<b>Drawer Fronts</b>	\$0	Slab	\$0	DFMD	<table border="1"> <tr> <td rowspan="7"><b>Wood Species</b></td> <td>0%</td> <td>Red Oak</td> <td></td> <td></td> </tr> <tr> <td>0%</td> <td>Hickory</td> <td>5%</td> <td>Rustic</td> </tr> <tr> <td>0%</td> <td>Beech</td> <td>7%</td> <td>Rustic</td> </tr> <tr> <td>4%</td> <td>Alder</td> <td>7%</td> <td>Rustic</td> </tr> <tr> <td>10%</td> <td>Maple</td> <td>15%</td> <td>Rustic</td> </tr> <tr> <td>20%</td> <td>Cherry</td> <td></td> <td></td> </tr> <tr> <td>30%</td> <td>Sapele</td> <td></td> <td></td> </tr> </table>		<b>Wood Species</b>	0%	Red Oak			0%	Hickory	5%	Rustic	0%	Beech	7%	Rustic	4%	Alder	7%	Rustic	10%	Maple	15%	Rustic	20%	Cherry			30%	Sapele		
<b>Drawer Fronts</b>	\$0		Slab																																		
	\$0	DFMD																																			
<b>Wood Species</b>	0%	Red Oak																																			
	0%	Hickory	5%	Rustic																																	
	0%	Beech	7%	Rustic																																	
	4%	Alder	7%	Rustic																																	
	10%	Maple	15%	Rustic																																	
	20%	Cherry																																			
	30%	Sapele																																			
<table border="1"> <tr> <td><b>Type</b></td> <td>Mortise &amp; Tenon</td> </tr> <tr> <td><b>Center Panel</b></td> <td>7/16" solid wood</td> </tr> <tr> <td><b>Stile Width</b></td> <td>2-1/4"</td> </tr> <tr> <td><b>Rail Width</b></td> <td>3-1/2"</td> </tr> </table>		<b>Type</b>	Mortise & Tenon	<b>Center Panel</b>	7/16" solid wood	<b>Stile Width</b>	2-1/4"	<b>Rail Width</b>	3-1/2"	<table border="1"> <tr> <td rowspan="3"><b>Prep for Glass</b></td> <td colspan="2">RFG, MGD, MGDH, MGDN</td> </tr> <tr> <td colspan="2">See pgs M-11 – M-12 for details</td> </tr> </table>		<b>Prep for Glass</b>	RFG, MGD, MGDH, MGDN		See pgs M-11 – M-12 for details		<table border="1"> <tr> <td rowspan="3"><b>Paint</b></td> <td colspan="2">Available on Red Oak or Maple +</td> </tr> <tr> <td>10%</td> <td>Curated Paints</td> </tr> <tr> <td>20%</td> <td>Pick Your Paint</td> </tr> </table>		<b>Paint</b>	Available on Red Oak or Maple +		10%	Curated Paints	20%	Pick Your Paint												
<b>Type</b>	Mortise & Tenon																																				
<b>Center Panel</b>	7/16" solid wood																																				
<b>Stile Width</b>	2-1/4"																																				
<b>Rail Width</b>	3-1/2"																																				
<b>Prep for Glass</b>	RFG, MGD, MGDH, MGDN																																				
	See pgs M-11 – M-12 for details																																				
	<b>Paint</b>	Available on Red Oak or Maple +																																			
10%		Curated Paints																																			
20%		Pick Your Paint																																			

## Door & panel appearance and size limits:























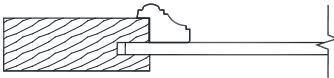
4" - <7" W	7" - 27" W	<b>Center Mullion Added</b> >27" - 36" W	8-3/4" - 52" H	<b>Center Rail Added</b> >52" - 73" H
				

## Drawer front appearance and size limits:


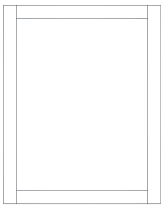
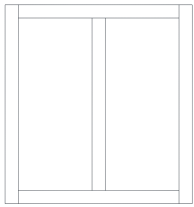
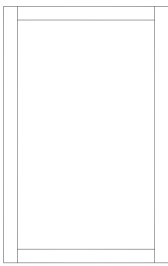
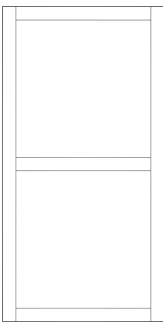
<b>SLAB</b>	<b>Slab</b> 2-1/2" – 18" H	<b>DFMD</b>	<b>Slab</b> 2-1/2" – <4-1/4" H	<b>5-pc 1/4" recessed panel</b> 4-1/4" – <6-7/16" H	<b>5-pc solid raised panel</b> 6-7/16" – <8-1/16" H	<b>5-pc solid raised panel</b> 8-1/16" – 18" H
						
			No chamfer on stiles	No chamfer on stiles	Chamfered stiles	
5-pc fronts: rail height will vary based on drawer front height						







# Wood Doors

<b>Gettysburg (GET)</b>																																					
		<b>PRICE POINT: C15</b>		<table border="1"> <tr> <td rowspan="2" style="text-align: center;"><b>Edge Details</b></td> <td style="text-align: center;">  <b>A</b> </td> <td style="text-align: center;">  <b>G</b> </td> <td style="text-align: center;">  <b>H</b> </td> <td style="text-align: center;">  <b>L</b> </td> </tr> <tr> <td style="text-align: center;">  <b>M</b> </td> <td style="text-align: center;">  <b>N</b> </td> <td style="text-align: center;">  <b>S</b> </td> <td></td> </tr> </table>		<b>Edge Details</b>	 <b>A</b>	 <b>G</b>	 <b>H</b>	 <b>L</b>	 <b>M</b>	 <b>N</b>	 <b>S</b>																								
		<b>Edge Details</b>	 <b>A</b>				 <b>G</b>	 <b>H</b>	 <b>L</b>																												
 <b>M</b>	 <b>N</b>		 <b>S</b>																																		
		<table border="1"> <tr> <td rowspan="3" style="text-align: center;"><b>Overlays</b></td> <td style="text-align: center;">0%</td> <td>Modified</td> </tr> <tr> <td style="text-align: center;">10%</td> <td>Inset</td> </tr> <tr> <td style="text-align: center;">15%</td> <td>Beaded Inset</td> </tr> </table>	<b>Overlays</b>	0%	Modified	10%	Inset	15%	Beaded Inset	<table border="1"> <tr> <td rowspan="3" style="text-align: center;"><b>Hinges (per door)</b></td> <td style="text-align: center;">\$0</td> <td>Finial Ball (Inset only)</td> </tr> <tr> <td style="text-align: center;">\$0</td> <td>Concealed</td> </tr> <tr> <td style="text-align: center;">\$29</td> <td>Concealed IM</td> </tr> </table>	<b>Hinges (per door)</b>	\$0	Finial Ball (Inset only)	\$0	Concealed	\$29	Concealed IM	<table border="1"> <tr> <td rowspan="2" style="text-align: center;"><b>Prep for Glass</b></td> <td style="text-align: center;">                     RFG, MGD, MGDH                 </td> </tr> <tr> <td style="text-align: center;">See pgs M-11 – M-12 for details</td> </tr> </table>	<b>Prep for Glass</b>	RFG, MGD, MGDH	See pgs M-11 – M-12 for details																
				<b>Overlays</b>	0%	Modified																															
10%	Inset																																				
15%	Beaded Inset																																				
<b>Hinges (per door)</b>	\$0	Finial Ball (Inset only)																																			
	\$0	Concealed																																			
	\$29	Concealed IM																																			
<b>Prep for Glass</b>	RFG, MGD, MGDH																																				
	See pgs M-11 – M-12 for details																																				
<table border="1"> <tr> <td style="text-align: center;"><b>Type</b></td> <td>M&amp;T Applied Mldg.</td> </tr> <tr> <td style="text-align: center;"><b>Center Panel</b></td> <td>1/4" thick</td> </tr> <tr> <td style="text-align: center;"><b>Stile Width</b></td> <td>2-1/4"</td> </tr> <tr> <td style="text-align: center;"><b>Rail Width</b></td> <td>2-1/4"</td> </tr> </table>		<b>Type</b>	M&T Applied Mldg.	<b>Center Panel</b>	1/4" thick	<b>Stile Width</b>	2-1/4"	<b>Rail Width</b>	2-1/4"	<table border="1"> <tr> <td rowspan="6" style="text-align: center;"><b>Drawer Fronts</b></td> <td style="text-align: center;">\$0</td> <td>Slab Only</td> </tr> <tr> <td style="text-align: center;">\$153</td> <td>DFMD</td> </tr> </table>	<b>Drawer Fronts</b>	\$0	Slab Only	\$153	DFMD	<table border="1"> <tr> <td rowspan="6" style="text-align: center;"><b>Wood Species</b></td> <td style="text-align: center;">0%</td> <td>Red Oak</td> </tr> <tr> <td style="text-align: center;">0%</td> <td>Beech</td> </tr> <tr> <td style="text-align: center;">0%</td> <td>Hickory</td> </tr> <tr> <td style="text-align: center;">6%</td> <td>Alder</td> </tr> <tr> <td style="text-align: center;">10%</td> <td>Maple</td> </tr> <tr> <td style="text-align: center;">20%</td> <td>Cherry</td> </tr> </table>	<b>Wood Species</b>	0%	Red Oak	0%	Beech	0%	Hickory	6%	Alder	10%	Maple	20%	Cherry	<table border="1"> <tr> <td rowspan="3" style="text-align: center;"><b>Paint</b></td> <td colspan="2" style="text-align: center;">Available on Red Oak or Maple +</td> </tr> <tr> <td style="text-align: center;">10%</td> <td>Curated Paints</td> </tr> <tr> <td style="text-align: center;">20%</td> <td>Pick Your Paint</td> </tr> </table>	<b>Paint</b>	Available on Red Oak or Maple +		10%	Curated Paints	20%	Pick Your Paint
		<b>Type</b>	M&T Applied Mldg.																																		
<b>Center Panel</b>	1/4" thick																																				
<b>Stile Width</b>	2-1/4"																																				
<b>Rail Width</b>	2-1/4"																																				
<b>Drawer Fronts</b>	\$0	Slab Only																																			
	\$153	DFMD																																			
	<b>Wood Species</b>	0%	Red Oak																																		
		0%	Beech																																		
		0%	Hickory																																		
		6%	Alder																																		
10%		Maple																																			
20%		Cherry																																			
<b>Paint</b>	Available on Red Oak or Maple +																																				
	10%	Curated Paints																																			
	20%	Pick Your Paint																																			

## Door & panel appearance and size limits:

4" - <7" W	7" - 27" W	Center Mullion Added >27" - 36" W		8-3/4" - 52" H	Center Rail Added >52" - 73" H
					
Doors under 7-1/2" wide: stiles vary by width					

## Drawer front appearance and size limits:

<b>SLAB</b>	<b>Slab</b> 2-1/2" – 18" H 	<b>DFMD</b>	<b>Slab</b> 2-1/2" - <4-1/4" H 	<b>3-piece slab w/mldg</b> 4-1/4" – <5-7/16" H 	<b>5-piece 1/4" recessed panel w/mldg</b> 5-7/16" – 18" H 
					Rail height will vary based on drawer front height

# Wood Doors

## Gettysburg Solid (GETS)

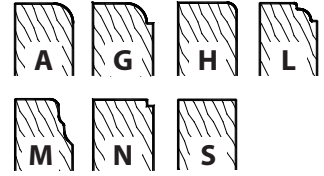


Type	M&T Applied Mldg.
Center Panel	3/8" thick solid wood
Stile Width	2-1/4"
Rail Width	2-1/4"

### PRICE POINT: C16

Overlays	0%	Modified	
	10%	Inset	
	15%	Beaded Inset	
Hinges (per door)	\$0	Finial Ball (Inset only)	
	\$0	Concealed	
	\$29	Concealed IM	
Drawer Fronts	\$0	Slab	
	\$153	DFMD	
Wood Species	0%	Red Oak	
	0%	Beech	7% Rustic
	4%	Alder	7% Rustic
	5%	Hickory	10% Rustic
	10%	Maple	15% Rustic
	20%	Cherry	
	30%	Sapele	

### Edge Details



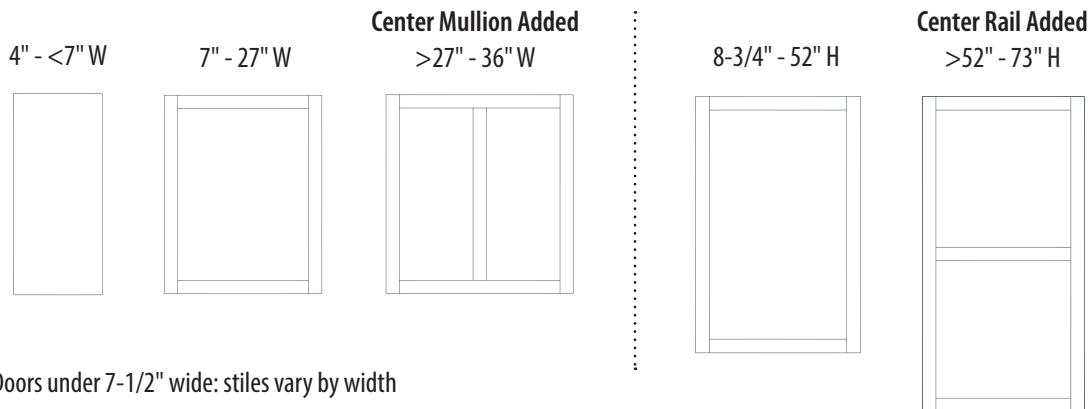
### Prep for Glass

RFG,  
MGD, MGDH  
See pgs M-11 – M-12 for details

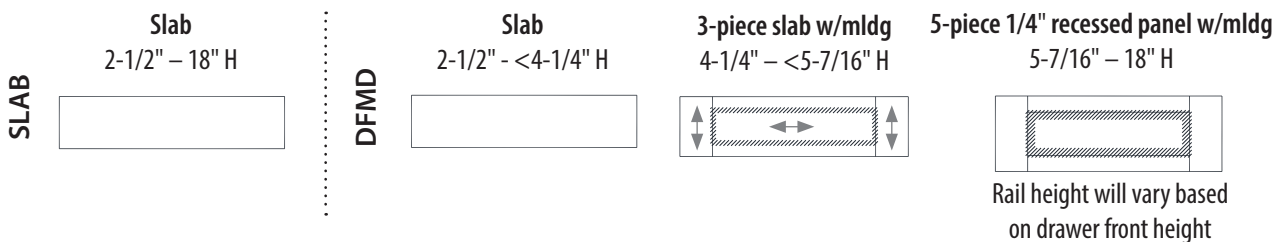
### Paint

Available on Red Oak or Maple +  
10% Curated Paints  
20% Pick Your Paint



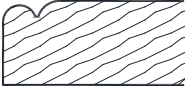
### Door & panel appearance and size limits:





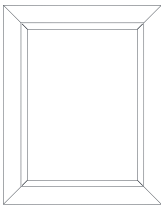
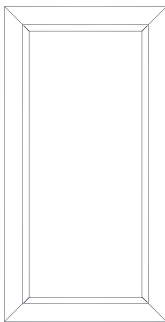
### Drawer front appearance and size limits:






# Wood Doors

<b>Hampton (HMPT)</b>  		<b>PRICE POINT: C5</b>		<b>Standard Edge Detail</b> 	
<b>Overlays</b>	0%	Modified			
	10%	Inset			
	15%	Beaded Inset			
<b>Hinges (per door)</b>	\$0	Finial Ball (Inset only)			
	\$0	Concealed			
	\$29	Concealed IM			
<b>Drawer Fronts</b>	\$0	Slab			
	\$153	DFMD			
<b>Wood Species</b>	0%	Red Oak			
	0%	Beech	7%	Rustic	
	4%	Alder	7%	Rustic	
	5%	Hickory	10%	Rustic	
	10%	Maple	15%	Rustic	
	20%	Cherry			
	30%	Sapele			
<b>Type</b>   Mitered <b>Center Panel</b>   3/4" thick solid wood <b>Stile Width</b>   2-1/4" <b>Rail Width</b>   2-1/4"		<b>Prep for Glass</b>   RFG, MGD, MGDH, MGDN See pgs M-11 – M-12 for details		<b>Paint</b>   Available on Red Oak or Maple + 10%   Curated Paints 20%   Pick Your Paint	



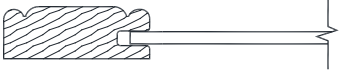
## Door & panel appearance and size limits:

4" - <7" W	7" - <7-1/2" W	7-1/2" - 36" W	8-3/4" - 73" H
			
	Recessed solid panel	Raised panel	


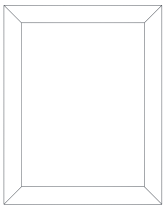
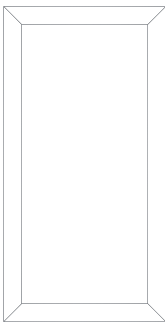
## Drawer front appearance and size limits:

<b>SLAB</b>	<b>Slab</b> 2-1/2" – 18" H 	..... <b>DFMD</b>	<b>Slab</b> 2-1/2" – <5-7/16" H 	<b>5-pc recessed panel</b> 5-7/16" – 18" H  2-1/4" W stiles & rails
-------------	--	----------------------	---	--




# Wood Doors

<b>Houston (HOU)</b>		<b>PRICE POINT: C13</b>		<b>Standard Edge Detail</b>								
		<b>Overlays</b>	0% Modified			<b>Prep for Glass</b>	RFG, MGD, MGDH, MGDN  See pgs M-11 – M-12 for details					
			10% Inset									
			15% Beaded Inset									
<b>Hinges (per door)</b>	<b>Drawer Fronts</b>	\$0 Finial Ball (Inset only)	<b>Wood Species</b>	<b>Paint</b>	Available on Red Oak or Maple +							
		\$0 Concealed				0% Red Oak	10% Curated Paints					
		\$29 Concealed IM				0% Beech	20% Pick Your Paint					
<b>Type</b>	<b>Mitered</b>	<b>Center Panel</b>	<b>1/4" thick</b>	<b>Stile Width</b>	<b>2-1/4"</b>	<b>Rail Width</b>	<b>2-1/4"</b>	<b>5% Hickory</b>	<b>6% Alder</b>	<b>10% Maple</b>	<b>20% Cherry</b>	
												\$0 Slab Only
												\$153 DFMD



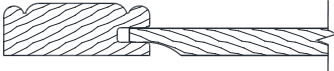
## Door & panel appearance and size limits:

4" - <7" W	7" - 36" W		8-3/4" - 73" H
			


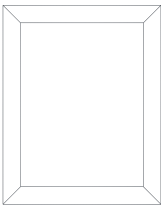
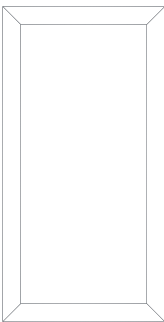
## Drawer front appearance and size limits:

<b>SLAB</b>	<b>Slab</b> 2-1/2" – 18" H		<b>Slab</b> 2-1/2" – <5-7/16" H	<b>5-pc 1/4" recessed panel</b> 5-7/16" – 18" H
				
			2-1/4" W stiles & rails	




# Wood Doors

<b>Houston Solid (HOUS)</b>		<b>PRICE POINT: C5</b>		<b>Standard Edge Detail</b>			
	<b>Overlays</b>	0%	Modified			<b>Prep for Glass</b>	RFG, MGD, MGDH, MGDN  See pgs M-11 – M-12 for details
		10%	Inset				
		15%	Beaded Inset				
	<b>Hinges (per door)</b>	\$0	Finial Ball (Inset only)	<b>Wood Species</b>	<b>Paint</b>	Available on Red Oak or Maple +	
		\$0	Concealed				
		\$29	Concealed IM				
	<b>Drawer Fronts</b>	\$0	Slab	0% Red Oak			7% Rustic
		\$153	DFMD				
		<b>Type</b>	Mitered				10% Curated Paints
			Center Panel	3/8" thick solid wood			
Stile Width			2-1/4"				20% Pick Your Paint
Rail Width			2-1/4"				
<b>Wood Species</b>			0%	Beech			7% Rustic
			4%	Alder	7% Rustic		
	5%	Hickory	10% Rustic				
	10%	Maple	15% Rustic				
	20%	Cherry					
	30%	Sapele					


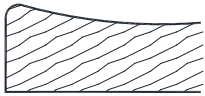
**Door & panel appearance and size limits:**

4" - <7" W	7" - 36" W	8-3/4" - 73" H
		



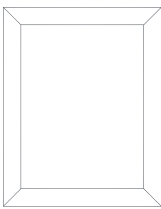
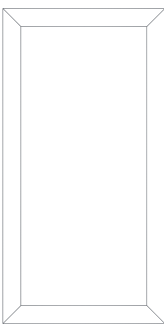
**Drawer front appearance and size limits:**

<b>SLAB</b>	<b>Slab</b> 2-1/2" – 18" H	<b>DFMD</b>	<b>Slab</b> 2-1/2" – <5-7/16" H	<b>5-pc recessed panel</b> 5-7/16" – 18" H
				
			2-1/4" W stiles & rails	




# Wood Doors

<p>Kennedy (KEN)</p> 		<b>PRICE POINT: C14</b>		<p><b>Standard Edge Detail</b></p> 
		<p><b>Overlays</b></p>	0%	
10%	Inset			
15%	Beaded Inset			
<p><b>Hinges (per door)</b></p>	\$0	Finial Ball (Inset only)		
	\$0	Concealed		
	\$29	Concealed IM		
<p><b>Drawer Fronts</b></p>	\$0	Slab Only		
	\$0	DFMD		
<p><b>Wood Species</b></p>	0%	Red Oak		
	0%	Beech		
	5%	Hickory		
	6%	Alder		
	10%	Maple		
	20%	Cherry		
<p><b>Type</b></p>	Mitered			
<p><b>Center Panel</b></p>	1/4" thick			
<p><b>Stile Width</b></p>	3"			
<p><b>Rail Width</b></p>	3"			
<p><b>Prep for Glass</b></p>	<p>RFG</p> <p>See pg M-11 for details</p>			
<p><b>Paint</b></p>	<p>Available on Red Oak or Maple +</p> <p>10% Curated Paints</p> <p>20% Pick Your Paint</p>			


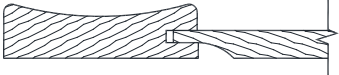
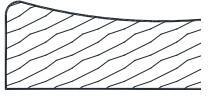
## Door & panel appearance and size limits:

4" - <7" W	1-3/4" Stile & Rail 7" - <8-1/2" W	3" Stile & Rail 8-1/2" - 36" W		8-3/4" - 73" H
				



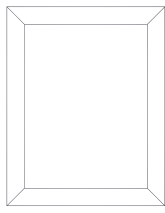
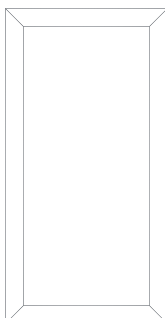
## Drawer front appearance and size limits:

<b>SLAB</b>	<p><b>Slab</b> 2-1/2" - 18" H</p> 	<b>DFMD</b>	<p><b>Slab</b> 2-1/2" - &lt;5-7/16" H</p> 	<p><b>5-pc 1/4" recessed panel</b> 5-7/16" - 18" H</p>  <p>1-3/4" W stiles &amp; rails</p>
-------------	---	-------------	---	---




# Wood Doors

<p><b>Kennedy Solid (KENS)</b></p>  		<p><b>PRICE POINT: C15</b></p>			<p><b>Standard Edge Detail</b></p> 
		<p><b>Overlays</b></p>	0%	Modified	
10%	Inset				
15%	Beaded Inset				
<p><b>Hinges (per door)</b></p>	\$0	Finial Ball (Inset only)			
	\$0	Concealed			
	\$29	Concealed IM			
<p><b>Drawer Fronts</b></p>	\$0	Slab			
	\$0	DFMD			
<p><b>Wood Species</b></p>	0%	Red Oak			
	0%	Beech	7% Rustic		
	4%	Alder	7% Rustic		
	5%	Hickory	10% Rustic		
	10%	Maple	15% Rustic		
	20%	Cherry			
	30%	Sapele			
<p><b>Type</b></p>	Mitered				
<p><b>Center Panel</b></p>	3/8" thick solid wood				
<p><b>Stile Width</b></p>	3"				
<p><b>Rail Width</b></p>	3"				
<p><b>Prep for Glass</b></p>	<p>RFG</p> <p>See pg M-11 for details</p>				
<p><b>Paint</b></p>	Available on Red Oak or Maple +				
	10%	Curated Paints			
	20%	Pick Your Paint			


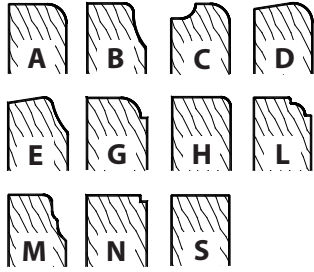
**Door & panel appearance and size limits:**

4" - <7" W	1-3/4" Stile & Rail 7" - <8-1/2" W	3" Stile & Rail 8-1/2" - 36" W	8-3/4" - 73" H
			


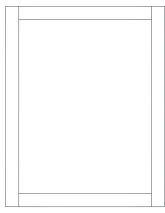
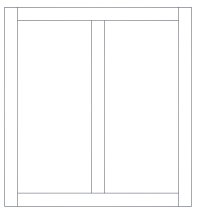
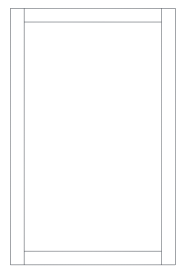
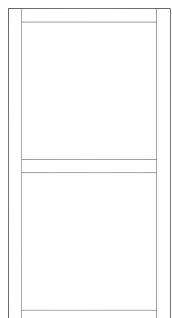
**Drawer front appearance and size limits:**

<p><b>SLAB</b></p>	<p><b>Slab</b> 2-1/2" - 18" H</p> 	<p><b>DFMD</b></p>	<p><b>Slab</b> 2-1/2" - &lt;5-7/16" H</p> 	<p><b>5-pc recessed panel</b> 5-7/16" - 18" H</p> 
			<p>1-3/4" W stiles &amp; rails</p>	






# Wood Doors

<p><b>Kingston Solid (KNGS)</b></p> 	<p><b>PRICE POINT: C16</b></p>											
	<p><b>Overlays</b></p>	<p>0% Modified</p> <p>10% Inset</p> <p>15% Beaded Inset</p>	<p><b>Hinges (per door)</b></p>	<p>\$0 Finial Ball (Inset only)</p> <p>\$0 Concealed</p> <p>\$29 Concealed IM</p>	<p><b>Edge Details</b></p> <p>A B C D</p> <p>E G H L</p> <p>M N S</p>							
<p><b>Drawer Fronts</b></p>	<p>\$0 Slab</p> <p>\$0 DFMD</p>	<p><b>Prep for Glass</b></p>	<p>\$0 Slab</p> <p>\$0 DFMD</p>	<p>RFG, MGD, MGDH, MGDN</p> <p>See pgs M-11 – M-12 for details</p>								
<p><b>Wood Species</b></p>	<p>0% Red Oak</p> <p>0% Hickory</p> <p>0% Beech</p> <p>4% Alder</p> <p>10% Maple</p> <p>20% Cherry</p> <p>30% Sapele</p>	<p>5% Rustic</p> <p>7% Rustic</p> <p>7% Rustic</p> <p>15% Rustic</p>	<p><b>Paint</b></p>	<p>Available on Red Oak or Maple +</p> <p>10% Curated Paints</p> <p>20% Pick Your Paint</p>								
<table border="1"> <tr> <td><b>Type</b></td> <td>Mortise &amp; Tenon</td> </tr> <tr> <td><b>Center Panel</b></td> <td>3/8" thick solid wood</td> </tr> <tr> <td><b>Stile Width</b></td> <td>2-1/4"</td> </tr> <tr> <td><b>Rail Width</b></td> <td>3-1/2"</td> </tr> </table>	<b>Type</b>	Mortise & Tenon	<b>Center Panel</b>	3/8" thick solid wood	<b>Stile Width</b>	2-1/4"	<b>Rail Width</b>	3-1/2"				
<b>Type</b>	Mortise & Tenon											
<b>Center Panel</b>	3/8" thick solid wood											
<b>Stile Width</b>	2-1/4"											
<b>Rail Width</b>	3-1/2"											

## Door & panel appearance and size limits:













<p>4" - &lt;7" W</p> 	<p>7" - 27" W</p> 	<p><b>Center Mullion Added</b></p> <p>&gt;27" - 36" W</p> 		<p>8-3/4" - 52" H</p> 	<p><b>Center Rail Added</b></p> <p>&gt;52" - 73" H</p> 
<p>Doors under 7-1/2" wide: stiles vary by width</p>					

## Drawer front appearance and size limits:


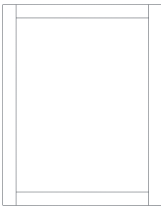
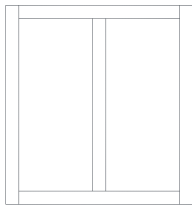
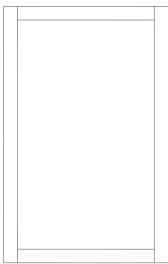
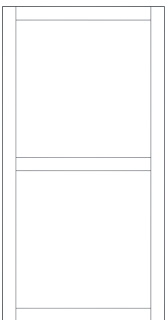
<p><b>SLAB</b></p>	<p><b>Slab</b></p> <p>2-1/2" – 18" H</p> 	<p><b>DFMD</b></p>	<p><b>Slab</b></p> <p>2-1/2" – &lt;4-1/4" H</p> 	<p><b>5-pc 1/4" recessed panel</b></p> <p>4-1/4" – &lt;6-7/16" H</p> 	<p><b>5-pc solid raised panel</b></p> <p>6-7/16" – &lt;8-1/16" H</p> 	<p><b>5-pc solid raised panel</b></p> <p>8-1/16" – 18" H</p> 
			<p>No chamfer on stiles</p>	<p>No chamfer on stiles</p>	<p>Chamfered stiles</p>	
<p>Rail height will vary based on drawer front height</p>						





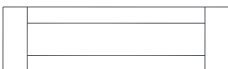
# Wood Doors

Legend (LEG)		PRICE POINT: C7		Edge Details												
	<table border="1"> <tr> <td>Type</td> <td>Mortise &amp; Tenon</td> </tr> <tr> <td>Center Panel</td> <td>1/4" thick</td> </tr> <tr> <td>Stile Width</td> <td>2-1/4"</td> </tr> <tr> <td>Rail Width</td> <td>2-1/4"</td> </tr> </table>	Type	Mortise & Tenon	Center Panel	1/4" thick	Stile Width	2-1/4"	Rail Width	2-1/4"	Overlay	0%	Traditional				
		Type	Mortise & Tenon													
		Center Panel	1/4" thick													
		Stile Width	2-1/4"													
		Rail Width	2-1/4"													
		Hinges (per door)	\$0	Concealed												
\$29	Concealed IM															
Drawer Fronts	\$0	Slab Only														
	\$153	DFMD														
Wood Species	0%	Red Oak	RFG, MGD, MGDC, MGDH, MGDN, MGDX  See pgs M-11 – M-13 for details													
	0%	Beech														
	5%	Hickory														
	6%	Alder														
	10%	Maple														
	20%	Cherry														
Paint	Available on Red Oak or Maple +															
	10%	Curated Paints														
	20%	Pick Your Paint														


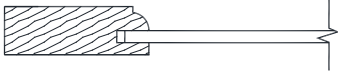
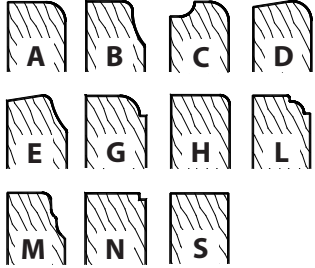
## Door & panel appearance and size limits:

4" - <7" W	7" - 27" W	Center Mullion Added >27" - 36" W	8-3/4" - 52" H	Center Rail Added >52" - 73" H
				


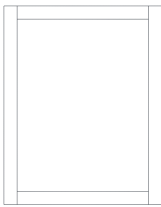
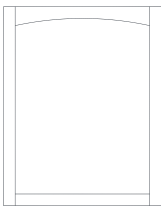
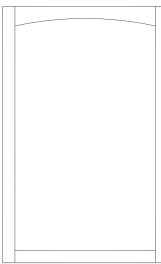
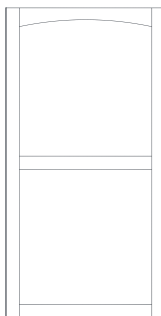
## Drawer front appearance and size limits:

SLAB	DFMD	5-pc 1/4" recessed panel
Slab 2-1/2" - 18" H 	Slab 2-1/2" - <4-1/4" H 	5-pc 1/4" recessed panel 4-1/4" - 18" H   Rail height will vary based on drawer front height



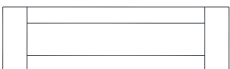
# Wood Doors

<p><b>Legend Roman (LEG-R)</b></p>  		<b>PRICE POINT: C7A</b>					
		<b>Overlay</b>	0%				
<b>Hinges (per door)</b>	\$0	Concealed	<b>Wood Species</b>	See pgs M-11 – M-12 for details			
	\$29	Concealed IM					
<b>Drawer Fronts</b>	\$0	Slab Only		0%	Red Oak		
	\$153	DFMD		0%	Beech		
		5%		Hickory	<b>Paint</b>	Available on Red Oak or Maple +	
		6%		Alder		10%	Curated Paints
		10%	Maple	20%	Pick Your Paint		
		20%	Cherry				
<b>Type</b>	Mortise & Tenon						
<b>Center Panel</b>	1/4" thick						
<b>Stile Width</b>	2-1/4"						
<b>Rail Width</b>	2-1/4"						


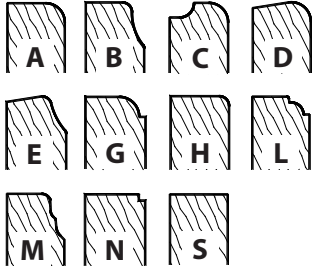
## Door & panel appearance and size limits:

4" - <7" W	7" - <8-1/2" W	<b>Arched Top</b> 8-1/2" - 27" W		<b>Arched Top</b> 8-3/4" - 52" H	<b>Center Rail Added</b> >52" - 73" H	<p>Arch is applied to:</p> <ul style="list-style-type: none"> <li>• Wall cabinets</li> <li>• Top door(s) of stacked cabinets</li> <li>• Top door(s) of Tall cabinets</li> </ul> <p>Includes finished end options with doors</p>
						

## Drawer front appearance and size limits:

<b>SLAB</b>	<b>Slab</b> 2-1/2" – 18" H		<b>Slab</b> 2-1/2" – <4-1/4" H	<b>5-pc 1/4" recessed panel</b> 4-1/4" – 18" H
				
				Rail height will vary based on drawer front height


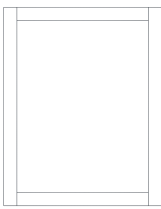
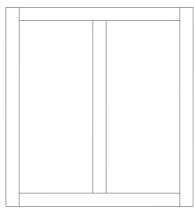
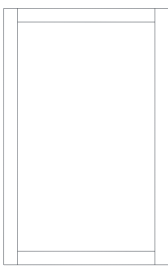
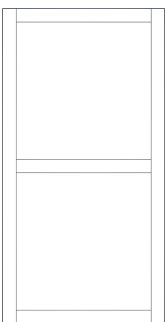
# Wood Doors

Lynden (LYN)						
	<b>PRICE POINT: C12</b>					
	<b>Overlays</b>	0%	Modified			
		10%	Inset			
		15%	Beaded Inset			
	<b>Hinges (per door)</b>	\$0	Finial Ball (Inset only)			
		\$0	Concealed			
\$29		Concealed IM				
<b>Drawer Fronts</b>	\$0	Slab Only				
	\$153	DFMD				
		<b>Wood Species</b>	0%	Red Oak	<b>Prep for Glass</b>	
			0%	Beech		
			0%	Hickory		
			6%	Alder		RFG, MGD, MGDH, MGDN
			10%	Maple		See pgs M-11 – M-12 for details
			20%	Cherry		
				<b>Paint</b>	Available on Red Oak or Maple +	
					10%	Curated Paints
					20%	Pick Your Paint



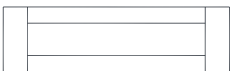


<b>Type</b>	Mortise & Tenon
<b>Center Panel</b>	1/4" thick
<b>Stile Width</b>	3"
<b>Rail Width</b>	3"





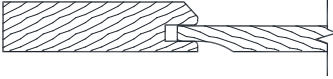
## Door & panel appearance and size limits:

4" - <7" W	7" - 27" W	Center Mullion Added >27" - 36" W		8-3/4" - 52" H	Center Rail Added >52" - 73" H
					
Doors under 7-1/2" wide: stiles vary by width					


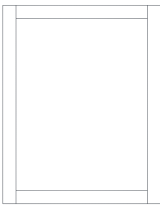
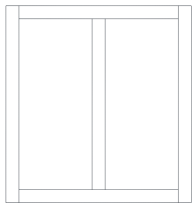
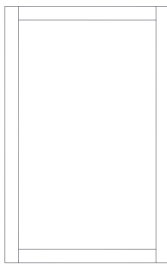
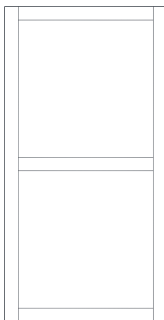
## Drawer front appearance and size limits:

<b>SLAB</b>	Slab 2-1/2" – 18" H		Slab 2-1/2" – <4-1/4" H	5-pc 1/4" recessed panel 4-1/4" – 18" H
				
	Rail height will vary based on drawer front height			



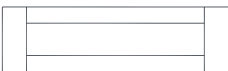

# Wood Doors

<b>Lynden Solid (LYNS)</b>		<b>PRICE POINT: C14</b>		  				
		<b>Overlays</b>	0%			Modified	<b>Prep for Glass</b>	RFG, MGD, MGDH, MGDN,
			10%			Inset		See pgs M-11 – M-12 for details
			15%	Beaded Inset				
<b>Hinges (per door)</b>	\$0	Finial Ball (Inset only)	<b>Wood Species</b>	0%	Red Oak			
	\$0	Concealed		0%	Hickory	5%	Rustic	
	\$29	Concealed IM		0%	Beech	7%	Rustic	
<b>Drawer Fronts</b>	\$0	Slab	4%	Alder	7%	Rustic		
	\$153	DFMD	10%	Maple	15%	Rustic		
<b>Type</b>	Mortise & Tenon		20%	Cherry		<b>Paint</b>	Available on Red Oak or Maple +	
	<b>Center Panel</b>	3/8" thick solid wood		30%	Sapele		10%	Curated Paints
	<b>Stile Width</b>	3"		40%	Black Walnut		20%	Pick Your Paint
	<b>Rail Width</b>	3"						


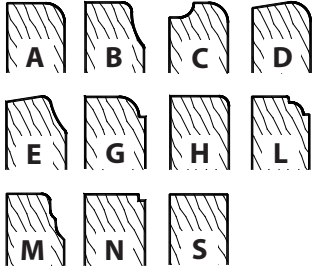

## Door & panel appearance and size limits:

4" - <7" W	7" - 27" W	<b>Center Mullion Added</b> >27" - 36" W	8-3/4" - 52" H	<b>Center Rail Added</b> >52" - 73" H
				
Doors under 7-1/2" wide: stiles vary by width				

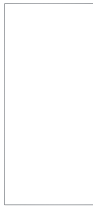
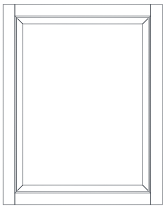
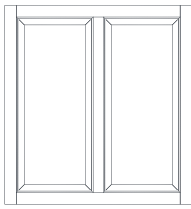
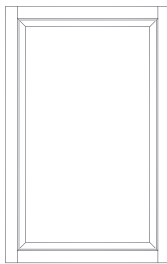
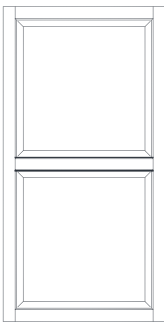
## Drawer front appearance and size limits:

<b>SLAB</b>	<b>Slab</b> 2-1/2" - 18" H	<b>DFMD</b>	<b>Slab</b> 2-1/2" - <4-1/4" H	<b>5-pc 1/4" recessed panel</b> 4-1/4" - <5-7/16" H	<b>5-pc solid recessed panel</b> 5-7/16" - 18" H
					
Rail height will vary based on drawer front height					





# Wood Doors

<b>Monterey (MTE)</b> 		<b>PRICE POINT: C14</b>																																																	
		<table border="1"> <tr> <td rowspan="3" style="text-align: center;"><b>Overlays</b></td> <td>0%</td> <td>Modified</td> </tr> <tr> <td>10%</td> <td>Inset</td> </tr> <tr> <td>15%</td> <td>Beaded Inset</td> </tr> </table>				<b>Overlays</b>	0%	Modified	10%	Inset	15%	Beaded Inset																																							
		<b>Overlays</b>	0%	Modified																																															
10%	Inset																																																		
15%	Beaded Inset																																																		
<table border="1"> <tr> <td rowspan="3" style="text-align: center;"><b>Hinges (per door)</b></td> <td>\$0</td> <td>Finial Ball (Inset only)</td> </tr> <tr> <td>\$0</td> <td>Concealed</td> </tr> <tr> <td>\$29</td> <td>Concealed IM</td> </tr> </table>		<b>Hinges (per door)</b>	\$0	Finial Ball (Inset only)	\$0	Concealed	\$29	Concealed IM	<table border="1"> <tr> <td rowspan="2" style="text-align: center;"><b>Drawer Fronts</b></td> <td>\$0</td> <td>Slab</td> </tr> <tr> <td>\$153</td> <td>DFMD</td> </tr> </table>		<b>Drawer Fronts</b>	\$0	Slab	\$153	DFMD	<table border="1"> <tr> <td rowspan="2" style="text-align: center;"><b>Prep for Glass</b></td> <td colspan="2">                     RFG,                      MGD, MGDC, MGDH,                      MGDN, MGDX                 </td> </tr> <tr> <td colspan="2">                     See pgs M-11 – M-13 for details                 </td> </tr> </table>		<b>Prep for Glass</b>	RFG, MGD, MGDC, MGDH, MGDN, MGDX		See pgs M-11 – M-13 for details																														
			<b>Hinges (per door)</b>	\$0	Finial Ball (Inset only)																																														
\$0	Concealed																																																		
\$29	Concealed IM																																																		
<b>Drawer Fronts</b>	\$0	Slab																																																	
	\$153	DFMD																																																	
<b>Prep for Glass</b>	RFG, MGD, MGDC, MGDH, MGDN, MGDX																																																		
	See pgs M-11 – M-13 for details																																																		
<table border="1"> <tr> <td><b>Type</b></td> <td>Mortise &amp; Tenon</td> </tr> <tr> <td><b>Center Panel</b></td> <td>3/4" thick solid wood</td> </tr> <tr> <td><b>Stile Width</b></td> <td>3"</td> </tr> <tr> <td><b>Rail Width</b></td> <td>3"</td> </tr> </table>		<b>Type</b>	Mortise & Tenon	<b>Center Panel</b>	3/4" thick solid wood	<b>Stile Width</b>	3"	<b>Rail Width</b>	3"	<table border="1"> <tr> <td rowspan="8" style="text-align: center;"><b>Wood Species</b></td> <td>0%</td> <td>Red Oak</td> </tr> <tr> <td>0%</td> <td>Hickory</td> <td>5%</td> <td>Rustic</td> </tr> <tr> <td>0%</td> <td>Beech</td> <td>7%</td> <td>Rustic</td> </tr> <tr> <td>4%</td> <td>Alder</td> <td>7%</td> <td>Rustic</td> </tr> <tr> <td>10%</td> <td>Maple</td> <td>15%</td> <td>Rustic</td> </tr> <tr> <td>20%</td> <td>Cherry</td> <td></td> <td></td> </tr> <tr> <td>30%</td> <td>Sapele</td> <td></td> <td></td> </tr> <tr> <td>40%</td> <td>Black Walnut</td> <td></td> <td></td> </tr> </table>		<b>Wood Species</b>	0%	Red Oak	0%	Hickory	5%	Rustic	0%	Beech	7%	Rustic	4%	Alder	7%	Rustic	10%	Maple	15%	Rustic	20%	Cherry			30%	Sapele			40%	Black Walnut			<table border="1"> <tr> <td rowspan="3" style="text-align: center;"><b>Paint</b></td> <td colspan="2">Available on Red Oak or Maple +</td> </tr> <tr> <td>10%</td> <td>Curated Paints</td> </tr> <tr> <td>20%</td> <td>Pick Your Paint</td> </tr> </table>		<b>Paint</b>	Available on Red Oak or Maple +		10%	Curated Paints	20%	Pick Your Paint
		<b>Type</b>	Mortise & Tenon																																																
<b>Center Panel</b>	3/4" thick solid wood																																																		
<b>Stile Width</b>	3"																																																		
<b>Rail Width</b>	3"																																																		
<b>Wood Species</b>	0%	Red Oak																																																	
	0%	Hickory	5%	Rustic																																															
	0%	Beech	7%	Rustic																																															
	4%	Alder	7%	Rustic																																															
	10%	Maple	15%	Rustic																																															
	20%	Cherry																																																	
	30%	Sapele																																																	
	40%	Black Walnut																																																	
<b>Paint</b>	Available on Red Oak or Maple +																																																		
	10%	Curated Paints																																																	
	20%	Pick Your Paint																																																	

## Door & panel appearance and size limits:

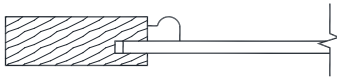
4" - <7" W 	7" - 27" W 	Center Mullion Added >27" - 36" W 	8-15/16" - 52" H 	Center Rail Added >52" - 73" H 
Doors under 7-1/2" wide: stiles vary by width				

## Drawer front appearance and size limits:

<b>SLAB</b>	Slab 2-1/2" - 18" H 	<b>DFMD</b>	Slab 2-1/2" - <4-1/4" H 	5-pc 1/4" recessed panel 4-1/4" - <5-7/16" H 	5-pc solid raised panel 5-7/16" - 18" H 
	Rail height will vary based on drawer front height				

# Wood Doors

## Monticello (MTC)



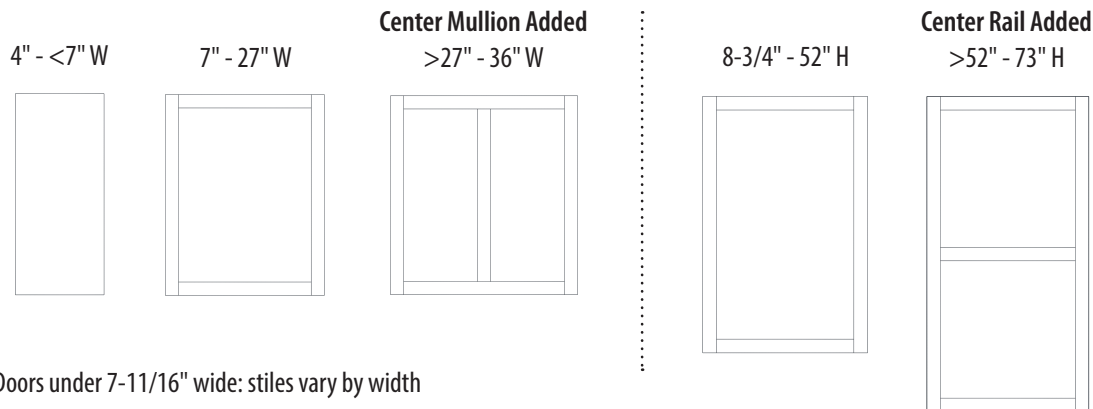
Type	M&T Applied Mldg.
Center Panel	1/4" thick
Stile Width	2-1/4"
Rail Width	2-1/4"

### PRICE POINT: C15

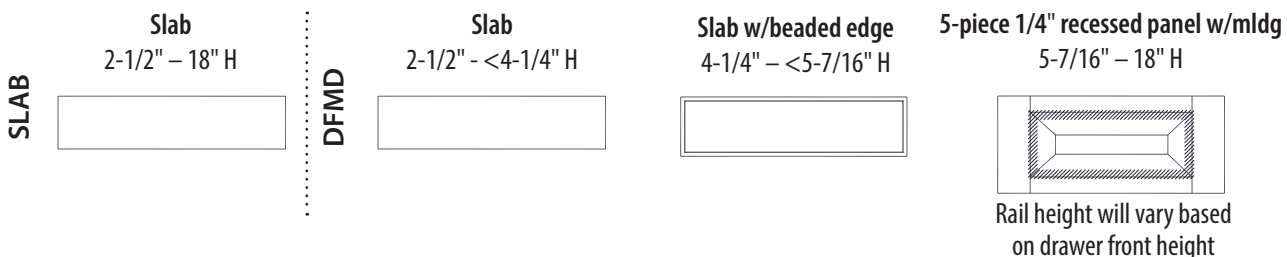
Overlays	0%	Modified
	10%	Inset
	15%	Beaded Inset
Hinges (per door)	\$0	Finial Ball (Inset only)
	\$0	Concealed
	\$29	Concealed IM
Drawer Fronts	\$0	Slab Only
	\$153	DFMD
Wood Species	0%	Red Oak
	0%	Beech
	5%	Hickory
	6%	Alder
	10%	Maple
	20%	Cherry

Edge Details				
Prep for Glass	RFG, MGD, MGDH			
	See pgs M-11 – M-12 for details			
Paint	Available on Red Oak or Maple +			
	10%	Curated Paints		
	20%	Pick Your Paint		

### Door & panel appearance and size limits:

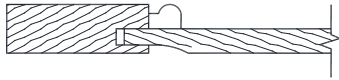


### Drawer front appearance and size limits:



# Wood Doors

## Monticello Solid (MTCS)



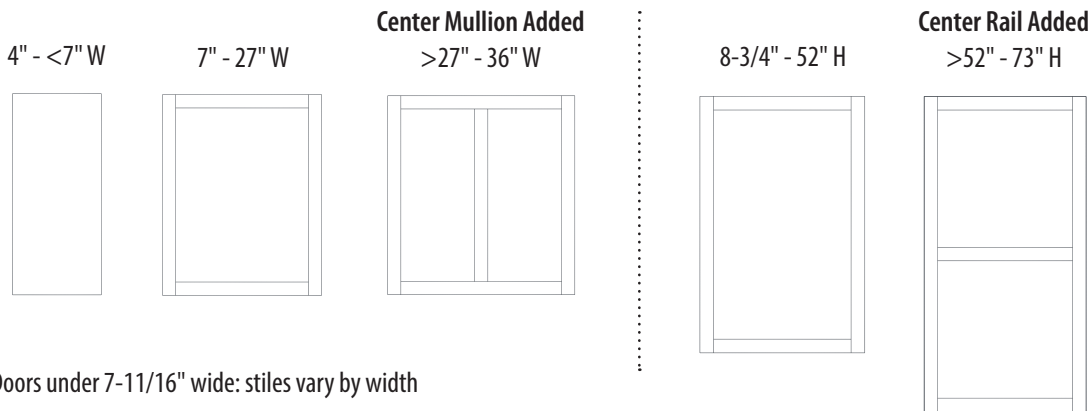
Type	M&T Applied Mldg.
Center Panel	3/8" thick solid wood
Stile Width	2-1/4"
Rail Width	2-1/4"

### PRICE POINT: C16

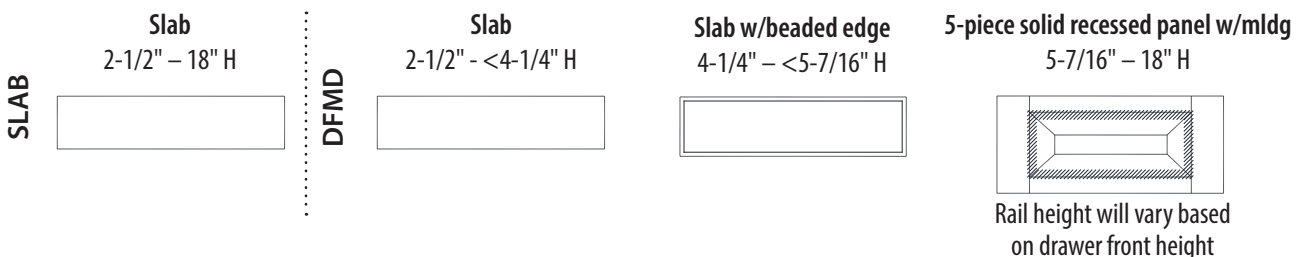
Overlays	0%	Modified	
	10%	Inset	
	15%	Beaded Inset	
Hinges (per door)	\$0	Finial Ball (Inset only)	
	\$0	Concealed	
	\$29	Concealed IM	
Drawer Fronts	\$0	Slab	
	\$153	DFMD	
Wood Species	0%	Red Oak	
	0%	Beech	7% Rustic
	4%	Alder	7% Rustic
	5%	Hickory	10% Rustic
	10%	Maple	15% Rustic
	20%	Cherry	
	30%	Sapele	

Edge Details				
Prep for Glass	RFG, MGD, MGDH			
	See pgs M-11 – M-12 for details			
Paint	Available on Red Oak or Maple +			
	10%	Curated Paints		
	20%	Pick Your Paint		

### Door & panel appearance and size limits:


























### Drawer front appearance and size limits:


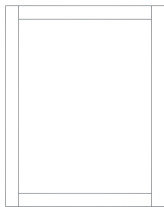
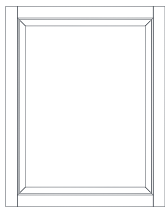
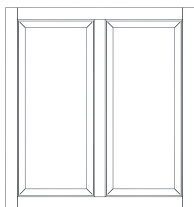
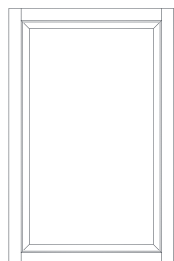
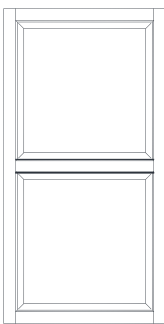







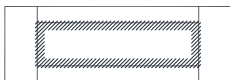

# Wood Doors

<p><b>Mount Vernon (MTV)</b></p>  		<p><b>PRICE POINT: C16</b></p> <table border="1"> <tr> <td rowspan="3">Overlays</td> <td>0%</td> <td>Modified</td> </tr> <tr> <td>10%</td> <td>Inset</td> </tr> <tr> <td>15%</td> <td>Beaded Inset</td> </tr> <tr> <td rowspan="3">Hinges (per door)</td> <td>\$0</td> <td>Finial Ball (Inset only)</td> </tr> <tr> <td>\$0</td> <td>Concealed</td> </tr> <tr> <td>\$29</td> <td>Concealed IM</td> </tr> <tr> <td rowspan="2">Drawer Fronts</td> <td>\$0</td> <td>Slab</td> </tr> <tr> <td>\$153</td> <td>DFMD</td> </tr> <tr> <td rowspan="7">Wood Species</td> <td>0%</td> <td>Red Oak</td> </tr> <tr> <td>0%</td> <td>Beech</td> <td>7% Rustic</td> </tr> <tr> <td>4%</td> <td>Alder</td> <td>7% Rustic</td> </tr> <tr> <td>5%</td> <td>Hickory</td> <td>10% Rustic</td> </tr> <tr> <td>10%</td> <td>Maple</td> <td>15% Rustic</td> </tr> <tr> <td>20%</td> <td>Cherry</td> <td></td> </tr> <tr> <td>30%</td> <td>Sapele</td> <td></td> </tr> </table>		Overlays	0%	Modified	10%	Inset	15%	Beaded Inset	Hinges (per door)	\$0	Finial Ball (Inset only)	\$0	Concealed	\$29	Concealed IM	Drawer Fronts	\$0	Slab	\$153	DFMD	Wood Species	0%	Red Oak	0%	Beech	7% Rustic	4%	Alder	7% Rustic	5%	Hickory	10% Rustic	10%	Maple	15% Rustic	20%	Cherry		30%	Sapele		<table border="1"> <tr> <td rowspan="2">Edge Details</td> <td> <b>A</b></td> <td> <b>G</b></td> <td> <b>H</b></td> <td> <b>L</b></td> </tr> <tr> <td> <b>M</b></td> <td> <b>N</b></td> <td> <b>S</b></td> <td></td> </tr> </table>		Edge Details	 <b>A</b>	 <b>G</b>	 <b>H</b>	 <b>L</b>	 <b>M</b>	 <b>N</b>	 <b>S</b>	
					Overlays	0%	Modified																																															
10%	Inset																																																					
15%	Beaded Inset																																																					
Hinges (per door)	\$0	Finial Ball (Inset only)																																																				
	\$0	Concealed																																																				
	\$29	Concealed IM																																																				
Drawer Fronts	\$0	Slab																																																				
	\$153	DFMD																																																				
Wood Species	0%	Red Oak																																																				
	0%	Beech	7% Rustic																																																			
	4%	Alder	7% Rustic																																																			
	5%	Hickory	10% Rustic																																																			
	10%	Maple	15% Rustic																																																			
	20%	Cherry																																																				
	30%	Sapele																																																				
Edge Details	 <b>A</b>	 <b>G</b>	 <b>H</b>	 <b>L</b>																																																		
	 <b>M</b>	 <b>N</b>	 <b>S</b>																																																			
<table border="1"> <tr> <td rowspan="2">Prep for Glass</td> <td colspan="2">RFG, MGD, MGDH</td> </tr> <tr> <td colspan="2">See pgs M-11 – M-12 for details</td> </tr> </table>		Prep for Glass	RFG, MGD, MGDH		See pgs M-11 – M-12 for details		<table border="1"> <tr> <td rowspan="3">Paint</td> <td colspan="2">Available on Red Oak or Maple +</td> </tr> <tr> <td>10%</td> <td>Curated Paints</td> </tr> <tr> <td>20%</td> <td>Pick Your Paint</td> </tr> </table>		Paint	Available on Red Oak or Maple +		10%	Curated Paints	20%	Pick Your Paint																																							
Prep for Glass	RFG, MGD, MGDH																																																					
	See pgs M-11 – M-12 for details																																																					
Paint	Available on Red Oak or Maple +																																																					
	10%	Curated Paints																																																				
	20%	Pick Your Paint																																																				
<table border="1"> <tr> <td>Type</td> <td>M&amp;T Applied Mldg.</td> </tr> <tr> <td>Center Panel</td> <td>3/4" thick solid wood</td> </tr> <tr> <td>Stile Width</td> <td>2-1/4"</td> </tr> <tr> <td>Rail Width</td> <td>2-1/4"</td> </tr> </table>		Type	M&T Applied Mldg.	Center Panel	3/4" thick solid wood	Stile Width	2-1/4"	Rail Width	2-1/4"																																													
Type	M&T Applied Mldg.																																																					
Center Panel	3/4" thick solid wood																																																					
Stile Width	2-1/4"																																																					
Rail Width	2-1/4"																																																					

## Door & panel appearance and size limits:



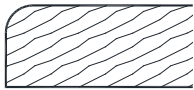
<p>4" - &lt;7" W</p> 	<p><b>Recessed Panel</b> 7" - &lt;8-11/6" W</p>  <p>Recessed solid panel</p>	<p><b>Raised Panel</b> 8-11/16" - 27" W</p>  <p>Raised panel</p>	<p><b>Center Mullion Added</b> &gt;27" - 36" W</p> 		<p>8-3/4" - 52" H</p>  <p>Doors below 10" H receive 1/4" recessed panel</p>	<p><b>Center Rail Added</b> &gt;52" - 73" H</p> 
--	---	---	--	--	--	---

## Drawer front appearance and size limits:


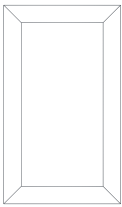
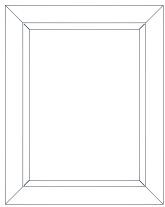
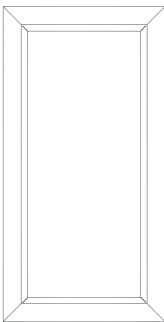
<b>SLAB</b>	<p><b>Slab</b> 2-1/2" - 18" H</p> 	<b>DFMD</b>	<p><b>Slab</b> 2-1/2" - &lt;4-1/4" H</p> 	<p><b>3-piece slab w/mldg</b> 4-1/4" - &lt;5-7/16" H</p> 	<p><b>5-piece solid recessed panel</b> 5-7/16" - &lt;7-11/16" H</p> 	<p><b>5-piece raised panel</b> 7-11/16" - 18" H</p> 
	<p>Drawer fronts 4-1/4" H and up include moulding detail to match door 5-pc front: rail height will vary based on drawer front height</p>					






# Wood Doors

<p>Newport (NPT)</p>  		PRICE POINT: C5			<p>Standard Edge Detail</p> 
		Overlays	0%	Modified	
10%	Inset				
15%	Beaded Inset				
Hinges (per door)	\$0	Finial Ball (Inset only)			
	\$0	Concealed			
	\$29	Concealed IM			
Drawer Fronts	\$0	Slab			
	\$153	DFMD			
Wood Species	0%	Red Oak			
	0%	Beech	7% Rustic		
	4%	Alder	7% Rustic		
	5%	Hickory	10% Rustic		
	10%	Maple	15% Rustic		
	20%	Cherry			
	30%	Sapele			
Type	Mitered				
Center Panel	3/4" thick solid wood				
Stile Width	2-1/4"				
Rail Width	2-1/4"				
Prep for Glass	RFG, MGD, MGDH, MGDN				
	See pgs M-11 – M-12 for details				
Paint	Available on Red Oak or Maple +				
	10%	Curated Paints			
	20%	Pick Your Paint			


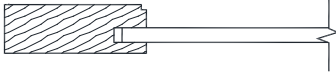

## Door & panel appearance and size limits:

4" - <7" W	7" - <7-1/2" W	7-1/2" - 36" W	8-3/4" - 73" H
			
	Recessed solid panel	Raised panel	


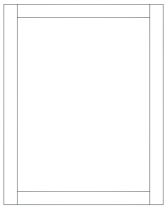
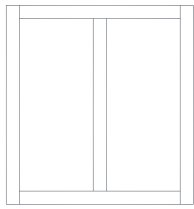
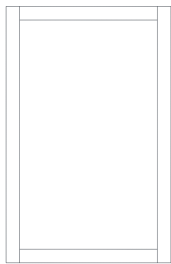
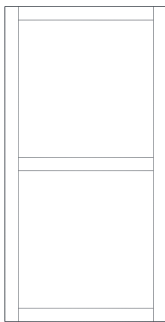
## Drawer front appearance and size limits:

SLAB	Slab 2-1/2" – 18" H	DFMD	Slab 2-1/2" – <5-7/16" H	5-pc recessed panel 5-7/16" – 18" H
				
			2-1/4" W stiles & rails	



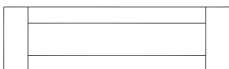
# Wood Doors

<b>Normandy (NRM)</b>													
  	<b>PRICE POINT: C10</b>												
	<b>Overlays</b>	0%	Modified										
		10%	Inset										
		15%	Beaded Inset										
	<b>Hinges (per door)</b>	\$0	Finial Ball (Inset only)										
		\$0	Concealed										
		\$29	Concealed IM										
	<b>Drawer Fronts</b>	\$0	Slab Only										
		\$153	DFMD										
	<b>Wood Species</b>	0%	Red Oak										
0%		Beech											
0%		Hickory											
6%		Alder											
10%		Maple											
	20%	Cherry											
<table border="1"> <tr> <td><b>Type</b></td> <td>Mortise &amp; Tenon</td> </tr> <tr> <td><b>Center Panel</b></td> <td>1/4" thick</td> </tr> <tr> <td><b>Stile Width</b></td> <td>2-1/4"</td> </tr> <tr> <td><b>Rail Width</b></td> <td>2-1/4"</td> </tr> </table>	<b>Type</b>	Mortise & Tenon	<b>Center Panel</b>	1/4" thick	<b>Stile Width</b>	2-1/4"	<b>Rail Width</b>	2-1/4"					<b>Prep for Glass</b> RFG, MGD, MGDC, MGDH, MGDN, MGDX See pgs M-11 – M-13 for details
<b>Type</b>	Mortise & Tenon												
<b>Center Panel</b>	1/4" thick												
<b>Stile Width</b>	2-1/4"												
<b>Rail Width</b>	2-1/4"												
				<table border="1"> <tr> <td rowspan="3"><b>Paint</b></td> <td colspan="2">Available on Red Oak or Maple +</td> </tr> <tr> <td>10%</td> <td>Curated Paints</td> </tr> <tr> <td>20%</td> <td>Pick Your Paint</td> </tr> </table>		<b>Paint</b>	Available on Red Oak or Maple +		10%	Curated Paints	20%	Pick Your Paint	
<b>Paint</b>	Available on Red Oak or Maple +												
	10%	Curated Paints											
	20%	Pick Your Paint											




## Door & panel appearance and size limits:

4" - <7" W	7" - 27" W	<b>Center Mullion Added</b> >27" - 36" W		8-3/4" - 52" H	<b>Center Rail Added</b> >52" - 73" H
					


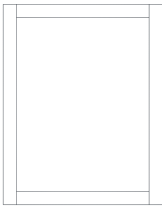
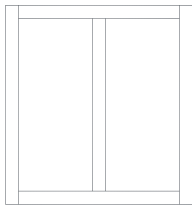
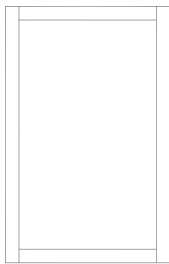
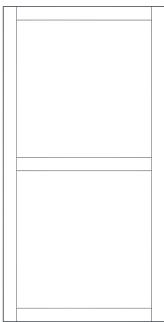
## Drawer front appearance and size limits:

<b>SLAB</b>	<b>Slab</b> 2-1/2" - 18" H		<b>Slab</b> 2-1/2" - <4-1/4" H	<b>5-pc 1/4" recessed panel</b> 4-1/4" - 18" H
				
	Rail height will vary based on drawer front height			



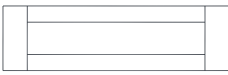

# Wood Doors

<p><b>Normandy Solid (NRMS)</b></p>  		<p><b>PRICE POINT: C12</b></p>		<p><b>Edge Detail</b></p> 																																	
						<table border="1"> <tr> <td rowspan="3"><b>Overlays</b></td> <td>0%</td> <td>Modified</td> </tr> <tr> <td>10%</td> <td>Inset</td> </tr> <tr> <td>15%</td> <td>Beaded Inset</td> </tr> </table>		<b>Overlays</b>	0%	Modified	10%	Inset	15%	Beaded Inset																							
<b>Overlays</b>	0%	Modified																																			
	10%	Inset																																			
	15%	Beaded Inset																																			
<table border="1"> <tr> <td rowspan="3"><b>Hinges (per door)</b></td> <td>\$0</td> <td>Finial Ball (Inset only)</td> </tr> <tr> <td>\$0</td> <td>Concealed</td> </tr> <tr> <td>\$29</td> <td>Concealed IM</td> </tr> </table>		<b>Hinges (per door)</b>	\$0	Finial Ball (Inset only)	\$0	Concealed	\$29	Concealed IM	<table border="1"> <tr> <td rowspan="2"><b>Drawer Fronts</b></td> <td>\$0</td> <td>Slab</td> </tr> <tr> <td>\$153</td> <td>DFMD</td> </tr> </table>		<b>Drawer Fronts</b>	\$0	Slab	\$153	DFMD	<p><b>Prep for Glass</b></p> <p>RFG, MGD, MGDC, MGDH, MGDN, MGDX</p> <p>See pgs M-11 – M-13 for details</p>																					
			<b>Hinges (per door)</b>	\$0	Finial Ball (Inset only)																																
\$0	Concealed																																				
\$29	Concealed IM																																				
<b>Drawer Fronts</b>	\$0	Slab																																			
	\$153	DFMD																																			
<table border="1"> <tr> <td rowspan="7"><b>Wood Species</b></td> <td>0%</td> <td>Red Oak</td> </tr> <tr> <td>0%</td> <td>Hickory</td> <td>5%</td> <td>Rustic</td> </tr> <tr> <td>0%</td> <td>Beech</td> <td>7%</td> <td>Rustic</td> </tr> <tr> <td>4%</td> <td>Alder</td> <td>7%</td> <td>Rustic</td> </tr> <tr> <td>10%</td> <td>Maple</td> <td>15%</td> <td>Rustic</td> </tr> <tr> <td>20%</td> <td>Cherry</td> <td></td> <td></td> </tr> <tr> <td>30%</td> <td>Sapele</td> <td></td> <td></td> </tr> </table>		<b>Wood Species</b>	0%	Red Oak	0%	Hickory	5%	Rustic	0%	Beech	7%	Rustic	4%	Alder	7%	Rustic	10%	Maple	15%	Rustic	20%	Cherry			30%	Sapele			<table border="1"> <tr> <td rowspan="3"><b>Paint</b></td> <td colspan="2">Available on Red Oak or Maple +</td> </tr> <tr> <td>10%</td> <td>Curated Paints</td> </tr> <tr> <td>20%</td> <td>Pick Your Paint</td> </tr> </table>		<b>Paint</b>	Available on Red Oak or Maple +		10%	Curated Paints	20%	Pick Your Paint
			<b>Wood Species</b>	0%	Red Oak																																
				0%	Hickory	5%	Rustic																														
				0%	Beech	7%	Rustic																														
				4%	Alder	7%	Rustic																														
				10%	Maple	15%	Rustic																														
				20%	Cherry																																
30%	Sapele																																				
<b>Paint</b>	Available on Red Oak or Maple +																																				
	10%	Curated Paints																																			
	20%	Pick Your Paint																																			
<table border="1"> <tr> <td><b>Type</b></td> <td>Mortise &amp; Tenon</td> </tr> <tr> <td><b>Center Panel</b></td> <td>3/8" thick solid wood</td> </tr> <tr> <td><b>Stile Width</b></td> <td>2-1/4"</td> </tr> <tr> <td><b>Rail Width</b></td> <td>2-1/4"</td> </tr> </table>		<b>Type</b>	Mortise & Tenon	<b>Center Panel</b>	3/8" thick solid wood	<b>Stile Width</b>	2-1/4"	<b>Rail Width</b>	2-1/4"																												
<b>Type</b>	Mortise & Tenon																																				
<b>Center Panel</b>	3/8" thick solid wood																																				
<b>Stile Width</b>	2-1/4"																																				
<b>Rail Width</b>	2-1/4"																																				


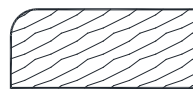
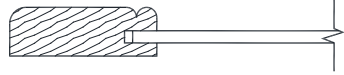
**Door & panel appearance and size limits:**

4" - <7" W	7" - 27" W	<b>Center Mullion Added</b> >27" - 36" W	8-3/4" - 52" H	<b>Center Rail Added</b> >52" - 73" H
				


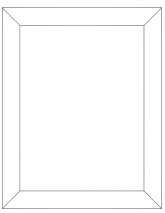
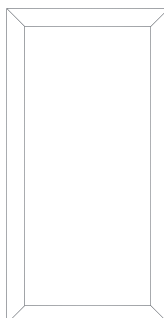
**Drawer front appearance and size limits:**

<b>SLAB</b>	<b>Slab</b> 2-1/2" - 18" H	<b>DFMD</b>	<b>Slab</b> 2-1/2" - <4-1/4" H	<b>5-pc 1/4" recessed panel</b> 4-1/4" - <5-7/16" H	<b>5-pc solid recessed panel</b> 5-7/16" - 18" H
					
<p>Rail height will vary based on drawer front height</p>					




# Wood Doors

<p>Norwood (NRW)</p> 		<p><b>PRICE POINT: C13</b></p>		<p><b>Standard Edge Detail</b></p> 																				
					<p><b>Overlays</b></p> <table border="1"> <tr> <td>0%</td> <td>Modified</td> </tr> <tr> <td>10%</td> <td>Inset</td> </tr> <tr> <td>15%</td> <td>Beaded Inset</td> </tr> </table>	0%	Modified	10%	Inset	15%	Beaded Inset	<p><b>Hinges (per door)</b></p> <table border="1"> <tr> <td>\$0</td> <td>Finial Ball (Inset only)</td> </tr> <tr> <td>\$0</td> <td>Concealed</td> </tr> <tr> <td>\$29</td> <td>Concealed IM</td> </tr> </table>	\$0	Finial Ball (Inset only)	\$0	Concealed	\$29	Concealed IM	<p><b>Prep for Glass</b></p> <p>RFG, MGD, MGDH, MGDN</p> <p>See pgs M-11 – M-12 for details</p>					
0%	Modified																							
10%	Inset																							
15%	Beaded Inset																							
\$0	Finial Ball (Inset only)																							
\$0	Concealed																							
\$29	Concealed IM																							
		<p><b>Drawer Fronts</b></p> <table border="1"> <tr> <td>\$0</td> <td>Slab Only</td> </tr> <tr> <td>\$153</td> <td>DFMD</td> </tr> </table>		\$0	Slab Only	\$153	DFMD	<p><b>Paint</b></p> <table border="1"> <tr> <td colspan="2">Available on Red Oak or Maple +</td> </tr> <tr> <td>10%</td> <td>Curated Paints</td> </tr> <tr> <td>20%</td> <td>Pick Your Paint</td> </tr> </table>	Available on Red Oak or Maple +		10%	Curated Paints	20%	Pick Your Paint										
				\$0	Slab Only																			
\$153	DFMD																							
Available on Red Oak or Maple +																								
10%	Curated Paints																							
20%	Pick Your Paint																							
<table border="1"> <tr> <td><b>Type</b></td> <td>Mitered</td> </tr> <tr> <td><b>Center Panel</b></td> <td>1/4" thick</td> </tr> <tr> <td><b>Stile Width</b></td> <td>2-1/4"</td> </tr> <tr> <td><b>Rail Width</b></td> <td>2-1/4"</td> </tr> </table>		<b>Type</b>	Mitered	<b>Center Panel</b>	1/4" thick	<b>Stile Width</b>	2-1/4"	<b>Rail Width</b>	2-1/4"	<p><b>Wood Species</b></p> <table border="1"> <tr> <td>0%</td> <td>Red Oak</td> </tr> <tr> <td>0%</td> <td>Beech</td> </tr> <tr> <td>5%</td> <td>Hickory</td> </tr> <tr> <td>6%</td> <td>Alder</td> </tr> <tr> <td>10%</td> <td>Maple</td> </tr> <tr> <td>20%</td> <td>Cherry</td> </tr> </table>		0%	Red Oak	0%	Beech	5%	Hickory	6%	Alder	10%	Maple	20%	Cherry	
<b>Type</b>	Mitered																							
<b>Center Panel</b>	1/4" thick																							
<b>Stile Width</b>	2-1/4"																							
<b>Rail Width</b>	2-1/4"																							
0%	Red Oak																							
0%	Beech																							
5%	Hickory																							
6%	Alder																							
10%	Maple																							
20%	Cherry																							


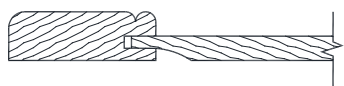
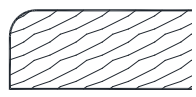
## Door & panel appearance and size limits:

<p>4" - &lt;7" W</p> 	<p>7" - 36" W</p> 	<p>8-3/4" - 73" H</p> 
--	---	---

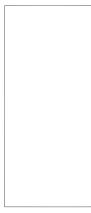
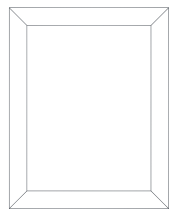
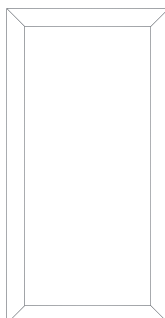
## Drawer front appearance and size limits:

<p><b>SLAB</b></p> <p><b>Slab</b> 2-1/2" – 18" H</p> 	<p><b>DFMD</b></p> <p><b>Slab</b> 2-1/2" – &lt;5-7/16" H</p> 	<p><b>5-pc 1/4" recessed panel</b> 5-7/16" – 18" H</p>  <p>2-1/4" W stiles &amp; rails</p>
--	--	---




# Wood Doors

<p>Norwood Solid (NRWS)</p>  		PRICE POINT: C5			<p>Standard Edge Detail</p> 
		Overlays	0%	Modified	
10%	Inset				
15%	Beaded Inset				
Hinges (per door)	\$0	Finial Ball (Inset only)			
	\$0	Concealed			
	\$29	Concealed IM			
Drawer Fronts	\$0	Slab			
	\$153	DFMD			
Wood Species	0%	Red Oak			
	0%	Beech	7% Rustic		
	4%	Alder	7% Rustic		
	5%	Hickory	10% Rustic		
	10%	Maple	15% Rustic		
	20%	Cherry			
	30%	Sapele			
Type	Mitered				
Center Panel	3/8" thick solid wood				
Stile Width	2-1/4"				
Rail Width	2-1/4"				
Prep for Glass	RFG, MGD, MGDH, MGDN				
	See pgs M-11 – M-12 for details				
	Paint	Available on Red Oak or Maple +			
10%		Curated Paints			
20%		Pick Your Paint			


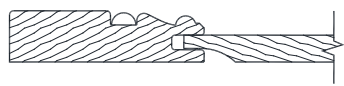
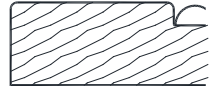
**Door & panel appearance and size limits:**

4" - <7" W	7" - 36" W		8-3/4" - 73" H
			



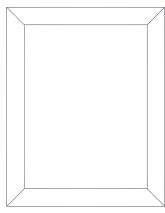
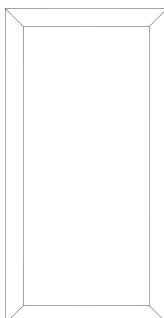
**Drawer front appearance and size limits:**

<b>SLAB</b>	<p>Slab</p> <p>2-1/2" – 18" H</p> 		<p>Slab</p> <p>2-1/2" – &lt;5-7/16" H</p> 	<p>5-pc recessed panel</p> <p>5-7/16" – 18" H</p> 
			2-1/4" W stiles & rails	





# Wood Doors

<p>Prescott Solid (PRES)</p>  		<p><b>PRICE POINT: C16</b></p> <table border="1"> <tr> <td rowspan="3">Overlays</td> <td>0%</td> <td>Modified</td> </tr> <tr> <td>10%</td> <td>Inset</td> </tr> <tr> <td>15%</td> <td>Beaded Inset</td> </tr> <tr> <td rowspan="3">Hinges (per door)</td> <td>\$0</td> <td>Finial Ball (Inset only)</td> </tr> <tr> <td>\$0</td> <td>Concealed</td> </tr> <tr> <td>\$29</td> <td>Concealed IM</td> </tr> <tr> <td rowspan="2">Drawer Fronts</td> <td>\$0</td> <td>Slab</td> </tr> <tr> <td>\$0</td> <td>DFMD</td> </tr> <tr> <td rowspan="6">Wood Species</td> <td>0%</td> <td>Red Oak</td> </tr> <tr> <td>0%</td> <td>Beech</td> <td>7% Rustic</td> </tr> <tr> <td>4%</td> <td>Alder</td> <td>7% Rustic</td> </tr> <tr> <td>5%</td> <td>Hickory</td> <td>10% Rustic</td> </tr> <tr> <td>10%</td> <td>Maple</td> <td>15% Rustic</td> </tr> <tr> <td>20%</td> <td>Cherry</td> <td></td> </tr> </table>		Overlays	0%	Modified	10%	Inset	15%	Beaded Inset	Hinges (per door)	\$0	Finial Ball (Inset only)	\$0	Concealed	\$29	Concealed IM	Drawer Fronts	\$0	Slab	\$0	DFMD	Wood Species	0%	Red Oak	0%	Beech	7% Rustic	4%	Alder	7% Rustic	5%	Hickory	10% Rustic	10%	Maple	15% Rustic	20%	Cherry		<p><b>Standard Edge Detail</b></p> 	
					Overlays	0%	Modified																																			
10%	Inset																																									
15%	Beaded Inset																																									
Hinges (per door)	\$0	Finial Ball (Inset only)																																								
	\$0	Concealed																																								
	\$29	Concealed IM																																								
Drawer Fronts	\$0	Slab																																								
	\$0	DFMD																																								
Wood Species	0%	Red Oak																																								
	0%	Beech	7% Rustic																																							
	4%	Alder	7% Rustic																																							
	5%	Hickory	10% Rustic																																							
	10%	Maple	15% Rustic																																							
	20%	Cherry																																								
<table border="1"> <tr> <td>Type</td> <td>Mitered</td> </tr> <tr> <td>Center Panel</td> <td>3/8" thick solid wood</td> </tr> <tr> <td>Stile Width</td> <td>3"</td> </tr> <tr> <td>Rail Width</td> <td>3"</td> </tr> </table>		Type	Mitered	Center Panel	3/8" thick solid wood	Stile Width	3"	Rail Width	3"	<p><b>Prep for Glass</b></p> <p>RFG</p> <p>See pg M-11 for details</p>																																
Type	Mitered																																									
Center Panel	3/8" thick solid wood																																									
Stile Width	3"																																									
Rail Width	3"																																									
		<p><b>Paint</b></p> <p>Available on Red Oak or Maple +</p> <table border="1"> <tr> <td>10%</td> <td>Curated Paints</td> </tr> <tr> <td>20%</td> <td>Pick Your Paint</td> </tr> </table>		10%	Curated Paints	20%	Pick Your Paint																																			
10%	Curated Paints																																									
20%	Pick Your Paint																																									


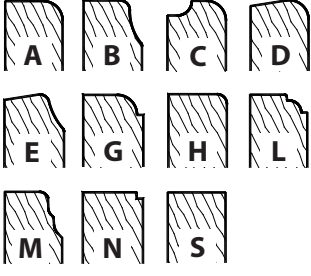
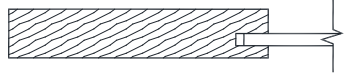
## Door & panel appearance and size limits:

4" - <7" W	2-1/4" Stile & Rail 7" - <9" W	3" Stile & Rail 9" - 36" W	8-3/4" - 73" H
			

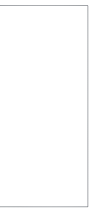
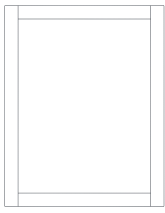
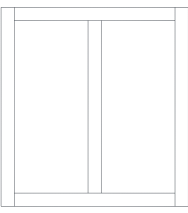
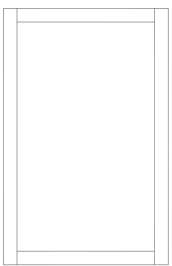
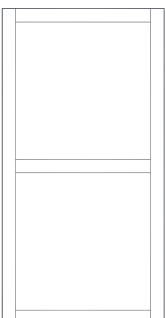
## Drawer front appearance and size limits:

SLAB	Slab 2-1/2" - 18" H	DFMD	Slab 2-1/2" - <4-1/4" H	Slab w/rope moulding 4-1/4" - <5-7/16" H	5-pc recessed panel w/rope moulding 5-7/16" - 18" H
					
2-1/4" W stiles & rails					




# Wood Doors

<b>Quattro (QTR)</b> 		<b>PRICE POINT: C14</b>																							
	<table border="1"> <tr> <td><b>Type</b></td> <td>Mortise &amp; Tenon</td> </tr> <tr> <td><b>Center Panel</b></td> <td>1/4" thick</td> </tr> <tr> <td><b>Stile Width</b></td> <td>4"</td> </tr> <tr> <td><b>Rail Width</b></td> <td>4"</td> </tr> </table>	<b>Type</b>	Mortise & Tenon			<b>Center Panel</b>	1/4" thick	<b>Stile Width</b>	4"	<b>Rail Width</b>	4"	<table border="1"> <tr> <td rowspan="3"><b>Overlays</b></td> <td>0%</td> <td>Modified</td> </tr> <tr> <td>10%</td> <td>Inset</td> </tr> <tr> <td>15%</td> <td>Beaded Inset</td> </tr> </table>	<b>Overlays</b>	0%	Modified	10%	Inset	15%	Beaded Inset	<table border="1"> <tr> <td rowspan="3"><b>Hinges (per door)</b></td> <td>\$0</td> <td>Finial Ball (Inset only)</td> </tr> <tr> <td>\$0</td> <td>Concealed</td> </tr> <tr> <td>\$29</td> <td>Concealed IM</td> </tr> </table>	<b>Hinges (per door)</b>	\$0	Finial Ball (Inset only)	\$0	Concealed
		<b>Type</b>	Mortise & Tenon																						
		<b>Center Panel</b>	1/4" thick																						
<b>Stile Width</b>	4"																								
<b>Rail Width</b>	4"																								
<b>Overlays</b>	0%	Modified																							
	10%	Inset																							
	15%	Beaded Inset																							
<b>Hinges (per door)</b>	\$0	Finial Ball (Inset only)																							
	\$0	Concealed																							
	\$29	Concealed IM																							
<table border="1"> <tr> <td rowspan="6"><b>Wood Species</b></td> <td>0%</td> <td>Red Oak</td> </tr> <tr> <td>0%</td> <td>Beech</td> </tr> <tr> <td>0%</td> <td>Hickory</td> </tr> <tr> <td>6%</td> <td>Alder</td> </tr> <tr> <td>10%</td> <td>Maple</td> </tr> <tr> <td>20%</td> <td>Cherry</td> </tr> </table>		<b>Wood Species</b>	0%	Red Oak	0%	Beech	0%	Hickory	6%	Alder	10%	Maple	20%	Cherry	<table border="1"> <tr> <td rowspan="3"><b>Prep for Glass</b></td> <td colspan="2">                     RFG,                      MGD, MGDC, MGDH, MGDX                 </td> </tr> <tr> <td colspan="2">                     See pgs M-11 – M-13 for details                 </td> </tr> </table>		<b>Prep for Glass</b>	RFG, MGD, MGDC, MGDH, MGDX		See pgs M-11 – M-13 for details					
<b>Wood Species</b>	0%		Red Oak																						
	0%		Beech																						
	0%		Hickory																						
	6%		Alder																						
	10%		Maple																						
	20%	Cherry																							
<b>Prep for Glass</b>	RFG, MGD, MGDC, MGDH, MGDX																								
	See pgs M-11 – M-13 for details																								
	<table border="1"> <tr> <td rowspan="3"><b>Paint</b></td> <td colspan="2">                     Available on Red Oak or Maple +                 </td> </tr> <tr> <td>10%</td> <td>Curated Paints</td> </tr> <tr> <td>20%</td> <td>Pick Your Paint</td> </tr> </table>		<b>Paint</b>	Available on Red Oak or Maple +		10%	Curated Paints	20%	Pick Your Paint																
<b>Paint</b>	Available on Red Oak or Maple +																								
	10%	Curated Paints																							
	20%	Pick Your Paint																							






## Door & panel appearance and size limits:

4" - <7" W 	7" - 27" W 	Center Mullion Added >27" - 36" W 		8-13/16" - 52" H 	Center Rail Added >52" - 73" H 
Doors under 10-1/4" wide: stiles vary by width					


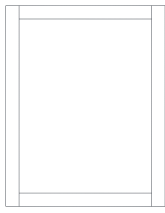
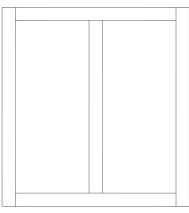
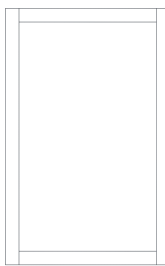
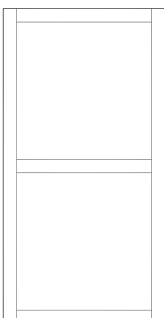
## Drawer front appearance and size limits:

<b>SLAB</b>	<b>Slab</b> 2-1/2" - 18" H 		<b>3-piece Slab</b> 2-1/2" - <4-1/4" H 	<b>5-pc 1/4" recessed panel</b> 4-1/4" - 18" H 
			Rail height will vary based on drawer front height	



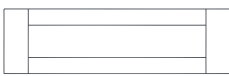

# Wood Doors

<b>Quattro Solid (QTRS)</b>		<b>PRICE POINT: C15</b>		  																														
		<b>Overlays</b>	0% Modified			<table border="1"> <tr> <td rowspan="3" style="text-align: center; vertical-align: middle;"><b>Prep for Glass</b></td> <td colspan="2" style="text-align: center;">RFG, MGD, MGDC, MGDH, MGDX</td> </tr> <tr> <td colspan="2" style="text-align: center;">See pgs M-11 – M-13 for details</td> </tr> </table>		<b>Prep for Glass</b>	RFG, MGD, MGDC, MGDH, MGDX		See pgs M-11 – M-13 for details																							
			<b>Prep for Glass</b>						RFG, MGD, MGDC, MGDH, MGDX																									
				See pgs M-11 – M-13 for details																														
10% Inset																																		
15% Beaded Inset																																		
<b>Hinges (per door)</b>	\$0	Finial Ball (Inset only)	<b>Paint</b>	Available on Red Oak or Maple +																														
	\$0	Concealed		10% Curated Paints																														
	\$29	Concealed IM		20% Pick Your Paint																														
<b>Drawer Fronts</b>	\$0	Slab	<table border="1"> <tr> <td rowspan="10" style="text-align: center; vertical-align: middle;"><b>Wood Species</b></td> <td>0%</td> <td>Red Oak</td> <td colspan="2"></td> </tr> <tr> <td>0%</td> <td>Hickory</td> <td>7%</td> <td>Rustic</td> </tr> <tr> <td>0%</td> <td>Beech</td> <td>7%</td> <td>Rustic</td> </tr> <tr> <td>4%</td> <td>Alder</td> <td>7%</td> <td>Rustic</td> </tr> <tr> <td>10%</td> <td>Maple</td> <td>15%</td> <td>Rustic</td> </tr> <tr> <td>20%</td> <td>Cherry</td> <td colspan="2"></td> </tr> <tr> <td>30%</td> <td>Sapele</td> <td colspan="2"></td> </tr> </table>			<b>Wood Species</b>	0%	Red Oak			0%	Hickory	7%	Rustic	0%	Beech	7%	Rustic	4%	Alder	7%	Rustic	10%	Maple	15%	Rustic	20%	Cherry			30%	Sapele		
	<b>Wood Species</b>	0%					Red Oak																											
0%		Hickory					7%	Rustic																										
0%		Beech					7%	Rustic																										
4%		Alder					7%	Rustic																										
10%		Maple					15%	Rustic																										
20%		Cherry																																
30%		Sapele																																
\$153		DFMD																																

## Door & panel appearance and size limits:


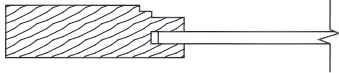
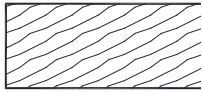
4" - <7" W	7" - 27" W	<b>Center Mullion Added</b> >27" - 36" W	8-13/16" - 52" H	<b>Center Rail Added</b> >52" - 73" H
				
Doors under 11" wide: stiles vary by width				

## Drawer front appearance and size limits:


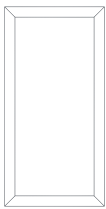
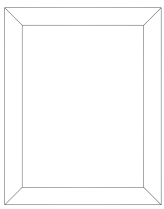
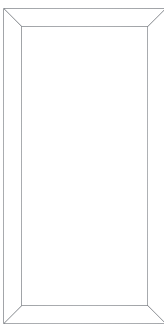
<b>SLAB</b>	<b>Slab</b> 2-1/2" - 18" H	<b>DFMD</b>	<b>3-piece Slab</b> 2-1/2" - <4-1/4" H	<b>5-pc 1/4" recessed panel</b> 4-1/4" - <5-7/16" H	<b>5-pc solid recessed panel</b> 5-7/16" - 18" H
					
Rail height will vary based on drawer front height					







# Wood Doors

<b>Quincy (QNC)</b>  		<b>PRICE POINT: C14</b>		<b>Standard Edge Detail</b> 																									
<table border="1"> <tr> <td><b>Overlay</b></td> <td>0%</td> <td>Modified</td> </tr> <tr> <td rowspan="2"><b>Hinges (per door)</b></td> <td>\$0</td> <td>Concealed</td> </tr> <tr> <td>\$29</td> <td>Concealed IM</td> </tr> <tr> <td rowspan="2"><b>Drawer Fronts</b></td> <td>\$0</td> <td>Slab Only</td> </tr> <tr> <td>\$0</td> <td>DFMD</td> </tr> </table>		<b>Overlay</b>	0%		Modified	<b>Hinges (per door)</b>	\$0	Concealed	\$29	Concealed IM	<b>Drawer Fronts</b>	\$0	Slab Only	\$0	DFMD	<table border="1"> <tr> <td rowspan="6"><b>Wood Species</b></td> <td>0%</td> <td>Red Oak</td> </tr> <tr> <td>0%</td> <td>Beech</td> </tr> <tr> <td>5%</td> <td>Hickory</td> </tr> <tr> <td>6%</td> <td>Alder</td> </tr> <tr> <td>10%</td> <td>Maple</td> </tr> <tr> <td>20%</td> <td>Cherry</td> </tr> </table>		<b>Wood Species</b>	0%	Red Oak	0%	Beech	5%	Hickory	6%	Alder	10%	Maple	20%
<b>Overlay</b>	0%	Modified																											
<b>Hinges (per door)</b>	\$0	Concealed																											
	\$29	Concealed IM																											
<b>Drawer Fronts</b>	\$0	Slab Only																											
	\$0	DFMD																											
<b>Wood Species</b>	0%	Red Oak																											
	0%	Beech																											
	5%	Hickory																											
	6%	Alder																											
	10%	Maple																											
	20%	Cherry																											
<table border="1"> <tr> <td><b>Type</b></td> <td>Mitered</td> </tr> <tr> <td><b>Center Panel</b></td> <td>1/4" thick</td> </tr> <tr> <td><b>Stile Width</b></td> <td>2-3/4"</td> </tr> <tr> <td><b>Rail Width</b></td> <td>2-3/4"</td> </tr> </table>		<b>Type</b>	Mitered	<b>Center Panel</b>	1/4" thick	<b>Stile Width</b>	2-3/4"	<b>Rail Width</b>	2-3/4"	<table border="1"> <tr> <td rowspan="3"><b>Prep for Glass</b></td> <td colspan="2">RFG, MGD, MGDH, MGDN</td> </tr> <tr> <td colspan="2">See pgs M-11 – M-12 for details</td> </tr> <tr> <td colspan="2">Available on Red Oak or Maple +</td> </tr> <tr> <td rowspan="2"><b>Paint</b></td> <td>10%</td> <td>Curated Paints</td> </tr> <tr> <td>20%</td> <td>Pick Your Paint</td> </tr> </table>		<b>Prep for Glass</b>	RFG, MGD, MGDH, MGDN		See pgs M-11 – M-12 for details		Available on Red Oak or Maple +		<b>Paint</b>	10%	Curated Paints	20%	Pick Your Paint						
<b>Type</b>	Mitered																												
<b>Center Panel</b>	1/4" thick																												
<b>Stile Width</b>	2-3/4"																												
<b>Rail Width</b>	2-3/4"																												
<b>Prep for Glass</b>	RFG, MGD, MGDH, MGDN																												
	See pgs M-11 – M-12 for details																												
	Available on Red Oak or Maple +																												
<b>Paint</b>	10%	Curated Paints																											
	20%	Pick Your Paint																											


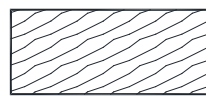
## Door & panel appearance and size limits:

4" - <7" W	1-3/4" Stile & Rail 7" - <7-1/2" W	2-3/4" Stile & Rail 7-1/2" - 36" W	8-3/4" - 73" H
			



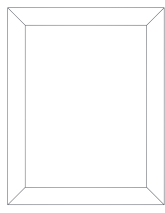
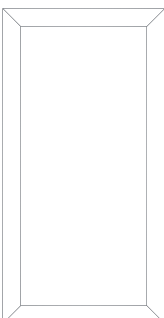
## Drawer front appearance and size limits:

<b>SLAB</b>	<b>Slab</b> 2-1/2" – 18" H 	<b>DFMD</b>	<b>Slab</b> 2-1/2" – <5-7/16" H 	<b>5-pc 1/4" recessed panel</b> 5-7/16" – 18" H  1-3/4" W stiles & rails
				




# Wood Doors

<p>Quincy Solid (QNCS)</p> 		<b>PRICE POINT: C15</b>				<p><b>Standard Edge Detail</b></p> 	
		<p><b>Overlay</b></p>	0%	Modified			<p><b>Prep for Glass</b></p>
<p><b>Hinges (per door)</b></p>	\$0	Concealed		<p><b>Wood Species</b></p>	<p>Available on Red Oak or Maple +</p>		
	\$29	Concealed IM					
<p><b>Drawer Fronts</b></p>	\$0	Slab				<p><b>Paint</b></p>	10% Curated Paints
	\$0	DFMD					20% Pick Your Paint
	0%	Red Oak					
	0%	Beech	7%			Rustic	
	4%	Alder	7%			Rustic	
	5%	Hickory	10%	Rustic			
	10%	Maple	15%	Rustic			
	20%	Cherry					
	30%	Sapele					


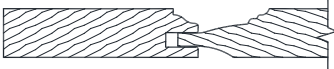

































## Door & panel appearance and size limits:

4" - <7" W	1-3/4" Stile & Rail 7" - <8" W	2-3/4" Stile & Rail 8" - 36" W	8-3/4" - 73" H
			


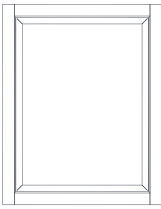
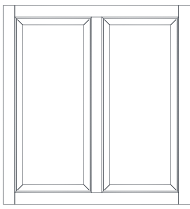
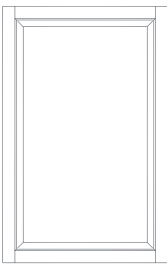
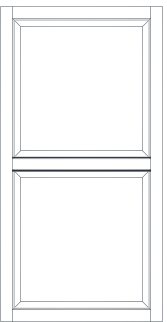
## Drawer front appearance and size limits:

<b>SLAB</b>	<p><b>Slab</b> 2-1/2" – 18" H</p> 	<b>DFMD</b>	<p><b>Slab</b> 2-1/2" – &lt;5-7/16" H</p> 	<p><b>5-pc recessed panel</b> 5-7/16" – 18" H</p>  <p>1-3/4" W stiles &amp; rails</p>
-------------	---	-------------	---	--





# Wood Doors

<p>Ridgecrest (RID)</p>   <table border="1"> <tr> <td>Type</td> <td>Mortise &amp; Tenon</td> </tr> <tr> <td>Center Panel</td> <td>3/4" thick solid wood</td> </tr> <tr> <td>Stile Width</td> <td>3"</td> </tr> <tr> <td>Rail Width</td> <td>3"</td> </tr> </table>	Type	Mortise & Tenon	Center Panel	3/4" thick solid wood	Stile Width	3"	Rail Width	3"	<p><b>PRICE POINT: C14</b></p> <table border="1"> <tr> <td rowspan="3">Overlays</td> <td>0%</td> <td>Modified</td> </tr> <tr> <td>10%</td> <td>Inset</td> </tr> <tr> <td>15%</td> <td>Beaded Inset</td> </tr> <tr> <td rowspan="3">Hinges (per door)</td> <td>\$0</td> <td>Finial Ball (Inset only)</td> </tr> <tr> <td>\$0</td> <td>Concealed</td> </tr> <tr> <td>\$29</td> <td>Concealed IM</td> </tr> <tr> <td rowspan="2">Drawer Fronts</td> <td>\$0</td> <td>Slab</td> </tr> <tr> <td>\$153</td> <td>DFMD</td> </tr> <tr> <td rowspan="8">Wood Species</td> <td>0%</td> <td>Red Oak</td> </tr> <tr> <td>0%</td> <td>Hickory</td> <td>5% Rustic</td> </tr> <tr> <td>0%</td> <td>Beech</td> <td>7% Rustic</td> </tr> <tr> <td>4%</td> <td>Alder</td> <td>7% Rustic</td> </tr> <tr> <td>10%</td> <td>Maple</td> <td>15% Rustic</td> </tr> <tr> <td>20%</td> <td>Cherry</td> <td></td> </tr> <tr> <td>30%</td> <td>Sapele</td> <td></td> </tr> <tr> <td>40%</td> <td>Black Walnut</td> <td></td> </tr> </table>		Overlays	0%	Modified	10%	Inset	15%	Beaded Inset	Hinges (per door)	\$0	Finial Ball (Inset only)	\$0	Concealed	\$29	Concealed IM	Drawer Fronts	\$0	Slab	\$153	DFMD	Wood Species	0%	Red Oak	0%	Hickory	5% Rustic	0%	Beech	7% Rustic	4%	Alder	7% Rustic	10%	Maple	15% Rustic	20%	Cherry		30%	Sapele		40%	Black Walnut		<table border="1"> <tr> <td rowspan="3">Edge Details</td> <td></td> <td></td> <td></td> <td></td> </tr> <tr> <td></td> <td></td> <td></td> <td></td> </tr> <tr> <td></td> <td></td> <td></td> <td></td> </tr> </table>	Edge Details												
	Type	Mortise & Tenon																																																																	
Center Panel	3/4" thick solid wood																																																																		
Stile Width	3"																																																																		
Rail Width	3"																																																																		
Overlays	0%	Modified																																																																	
	10%	Inset																																																																	
	15%	Beaded Inset																																																																	
Hinges (per door)	\$0	Finial Ball (Inset only)																																																																	
	\$0	Concealed																																																																	
	\$29	Concealed IM																																																																	
Drawer Fronts	\$0	Slab																																																																	
	\$153	DFMD																																																																	
Wood Species	0%	Red Oak																																																																	
	0%	Hickory	5% Rustic																																																																
	0%	Beech	7% Rustic																																																																
	4%	Alder	7% Rustic																																																																
	10%	Maple	15% Rustic																																																																
	20%	Cherry																																																																	
	30%	Sapele																																																																	
	40%	Black Walnut																																																																	
Edge Details																																																																			
																																																																			
																																																																			
		<table border="1"> <tr> <td rowspan="2">Prep for Glass</td> <td>                     RFG,                      MGD, MGDC, MGDH,                      MGDN, MGDX                 </td> </tr> <tr> <td>See pgs M-11 – M-13 for details</td> </tr> </table>	Prep for Glass	RFG, MGD, MGDC, MGDH, MGDN, MGDX	See pgs M-11 – M-13 for details																																																														
Prep for Glass	RFG, MGD, MGDC, MGDH, MGDN, MGDX																																																																		
	See pgs M-11 – M-13 for details																																																																		
		<table border="1"> <tr> <td rowspan="3">Paint</td> <td>Available on Red Oak or Maple +</td> </tr> <tr> <td>10% Curated Paints</td> </tr> <tr> <td>20% Pick Your Paint</td> </tr> </table>	Paint	Available on Red Oak or Maple +	10% Curated Paints	20% Pick Your Paint																																																													
Paint	Available on Red Oak or Maple +																																																																		
	10% Curated Paints																																																																		
	20% Pick Your Paint																																																																		


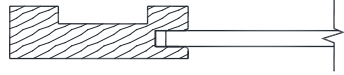
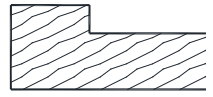
## Door & panel appearance and size limits:

4" - <7" W	7" - 27" W	Center Mullion Added >27" - 36" W	8-15/16" - 52" H	Center Rail Added >52" - 73" H
				
Doors under 9" wide: stiles vary by width				



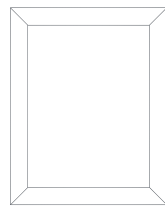
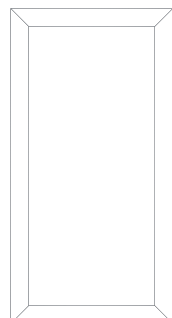
## Drawer front appearance and size limits:

SLAB	Slab 2-1/2" - 18" H	DFMD	Slab 2-1/2" - <4-1/4" H	5-pc 1/4" recessed panel 4-1/4" - <5-7/16" H	5-pc solid raised panel 5-7/16" - 18" H
					
			Rail height will vary based on drawer front height		




# Wood Doors

<b>Roanoke (RNK)</b>													
	<b>PRICE POINT: C14</b>												
	<b>Overlay</b>	0%	Modified										
<b>Hinges (per door)</b>	\$0	Concealed											
	\$29	Concealed IM											
<b>Drawer Fronts</b>	\$0	Slab Only											
	\$0	DFMD											
<b>Wood Species</b>	0%	Red Oak											
	0%	Beech											
	5%	Hickory											
	6%	Alder											
	10%	Maple											
	20%	Cherry											
				<b>Standard Edge Detail</b>									
<table border="1"> <tr> <td style="text-align: center;"><b>Type</b></td> <td style="text-align: center;">Mitered</td> </tr> <tr> <td style="text-align: center;"><b>Center Panel</b></td> <td style="text-align: center;">1/4" thick</td> </tr> <tr> <td style="text-align: center;"><b>Stile Width</b></td> <td style="text-align: center;">2-3/4"</td> </tr> <tr> <td style="text-align: center;"><b>Rail Width</b></td> <td style="text-align: center;">2-3/4"</td> </tr> </table>		<b>Type</b>	Mitered	<b>Center Panel</b>	1/4" thick	<b>Stile Width</b>	2-3/4"	<b>Rail Width</b>	2-3/4"			<b>Prep for Glass</b>	RFG, MGD, MGDH, MGDN  See pgs M-11 – M-12 for details
<b>Type</b>	Mitered												
<b>Center Panel</b>	1/4" thick												
<b>Stile Width</b>	2-3/4"												
<b>Rail Width</b>	2-3/4"												
				<b>Paint</b>	Available on Red Oak or Maple + 10% Curated Paints 20% Pick Your Paint								


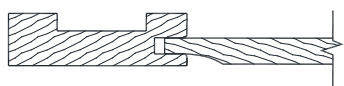
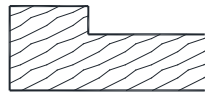
## Door & panel appearance and size limits:

4" - <7" W	1-3/4" Stile & Rail 7" - <7-1/2" W	2-3/4" Stile & Rail 7-1/2" - 36" W	8-3/4" - 73" H
			


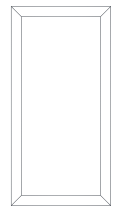
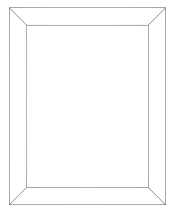
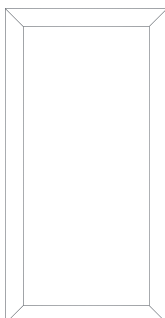
## Drawer front appearance and size limits:

<b>SLAB</b>	<b>Slab</b> 2-1/2" – 18" H 	<b>DFMD</b>	<b>Slab</b> 2-1/2" – <5-7/16" H 	<b>5-pc 1/4" recessed panel</b> 5-7/16" – 18" H  1-3/4" W stiles & rails
-------------	--	-------------	---	--




# Wood Doors

<p><b>Roanoke Solid (RNKS)</b></p>  		<b>PRICE POINT: C15</b>				<p><b>Standard Edge Detail</b></p> 
		<b>Overlay</b>		0%	Modified	
<b>Hinges (per door)</b>		\$0		Concealed		
		\$29		Concealed IM		
<b>Drawer Fronts</b>		\$0		Slab		
		\$0		DFMD		
<b>Wood Species</b>		0% Red Oak				
		0%	Beech	7%	Rustic	
		4%	Alder	7%	Rustic	
		5%	Hickory	10%	Rustic	
		10%	Maple	15%	Rustic	
		20%	Cherry			
		30%	Sapele			
<b>Type</b>		Mitered				
<b>Center Panel</b>		3/8" thick solid wood				
<b>Stile Width</b>		2-3/4"				
<b>Rail Width</b>		2-3/4"				
<b>Prep for Glass</b>		<p>RFG, MGD, MGDH, MGDN</p> <p>See pgs M-11 – M-12 for details</p>				
<b>Paint</b>		Available on Red Oak or Maple +				
		10%	Curated Paints			
		20%	Pick Your Paint			

**Door & panel appearance and size limits:**

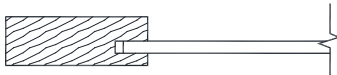
4" - <7" W	1-3/4" Stile & Rail 7" - <8" W	2-3/4" Stile & Rail 8" - 36" W		8-3/4" - 73" H
				

**Drawer front appearance and size limits:**

<b>SLAB</b>	<b>Slab</b> 2-1/2" – 18" H	<b>DFMD</b>	<b>Slab</b> 2-1/2" – <5-7/16" H	<b>5-pc recessed panel</b> 5-7/16" – 18" H
				
1-3/4" W stiles & rails				

# Wood Doors

## Shaker Traditional (SHK)

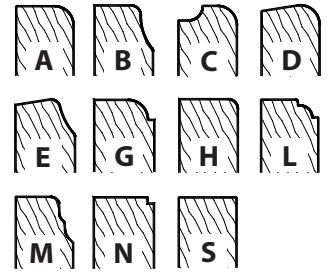


Type	Mortise & Tenon
Center Panel	1/4" thick
Stile Width	2-1/4"
Rail Width	2-1/4"

### PRICE POINT: C7

Overlay	0%	Traditional
Hinges (per door)	\$0	Concealed
	\$29	Concealed IM
Drawer Fronts	\$0	Slab Only
	\$153	DFMD
Wood Species	0%	Red Oak
	0%	Beech
	0%	Hickory
	6%	Alder
	10%	Maple
	20%	Cherry

### Edge Details



### Prep for Glass

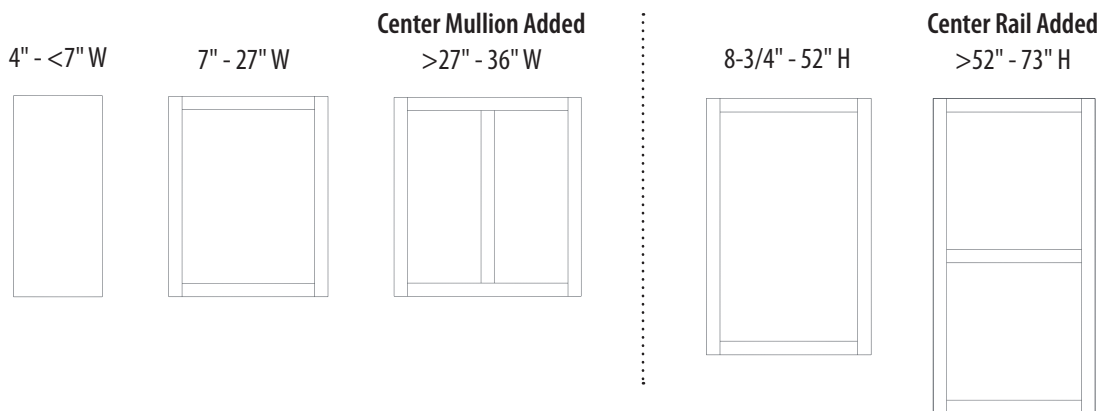
RFG,  
MGD, MGDC, MGDH,  
MGDN, MGDX, VT, VTR

See pgs M-11 – M-13 for details

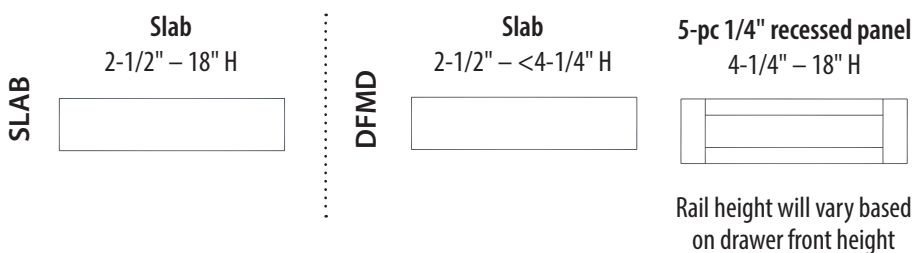
### Paint

Available on Red Oak or Maple +	
10%	Curated Paints
20%	Pick Your Paint





### Door & panel appearance and size limits:




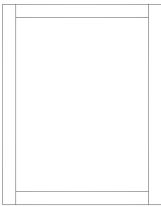
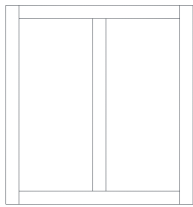
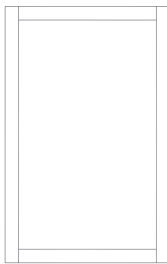
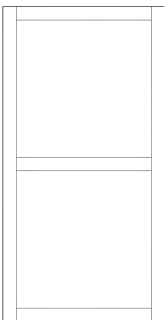
### Drawer front appearance and size limits:





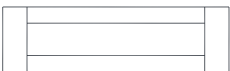
# Wood Doors

<b>Shaker (SHK)</b>					
		<b>PRICE POINT: C9</b>		  	
		<b>Overlays</b>	0%		
10%	Inset				
<b>Hinges (per door)</b>	15%	Beaded Inset			
	\$0	Finial Ball (Inset only)			
	\$0	Concealed			
<b>Drawer Fronts</b>	\$29	Concealed IM			
	\$0	Slab Only			
<b>Wood Species</b>	\$153	DFMD			
	0%	Red Oak			
	0%	Beech			
	0%	Hickory			
	6%	Alder			
	10%	Maple			
<b>Type</b>	Mortise & Tenon				
	<b>Center Panel</b>	1/4" thick			
<b>Stile Width</b>	2-1/4"				
<b>Rail Width</b>	2-1/4"				
<b>Prep for Glass</b>	RFG, MGD, MGDC, MGDH, MGDN, MGDX, VT, VTR				
	See pgs M-11 – M-13 for details				
<b>Paint</b>	Available on Red Oak or Maple +				
	10%	Curated Paints			
	20%	Pick Your Paint			

**Door & panel appearance and size limits:**

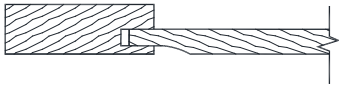
4" - <7" W	7" - 27" W	Center Mullion Added >27" - 36" W	8-3/4" - 52" H	Center Rail Added >52" - 73" H
				

**Drawer front appearance and size limits:**

<b>SLAB</b>	<b>Slab</b> 2-1/2" – 18" H 	.....	<b>DFMD</b> 2-1/2" – <4-1/4" H 	<b>5-pc 1/4" recessed panel</b> 4-1/4" – 18" H 
	Rail height will vary based on drawer front height			

# Wood Doors

## Shaker Solid (SHKS)

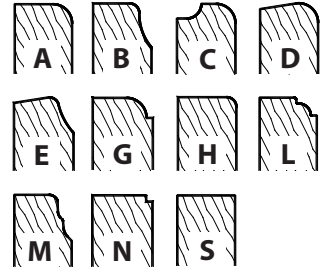


Type	Mortise & Tenon
Center Panel	3/8" thick solid wood
Stile Width	2-1/4"
Rail Width	2-1/4"

### PRICE POINT: C12

Overlays	0%	Modified	
	10%	Inset	
	15%	Beaded Inset	
Hinges (per door)	\$0	Finial Ball (Inset only)	
	\$0	Concealed	
	\$29	Concealed IM	
Drawer Fronts	\$0	Slab	
	\$153	DFMD	
Wood Species	0%	Red Oak	
	0%	Hickory	5% Rustic
	0%	Beech	7% Rustic
	4%	Alder	7% Rustic
	10%	Maple	15% Rustic
	20%	Cherry	
	30%	Sapele	
	40%	Black Walnut	

### Edge Details



### Prep for Glass

RFG,  
MGD, MGDC, MGDH,  
MGDN, MGDX, VT, VTR

See pgs M-11 – M-13 for details

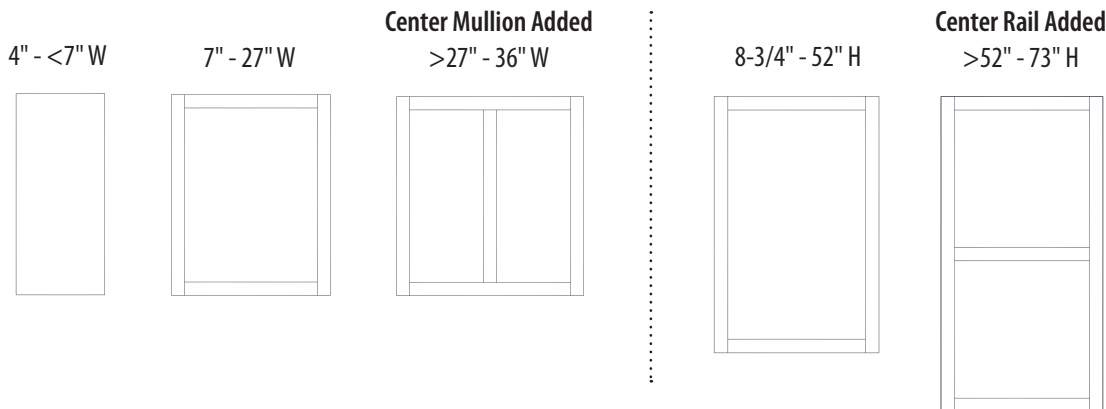
### Paint

Available on Red Oak or Maple +

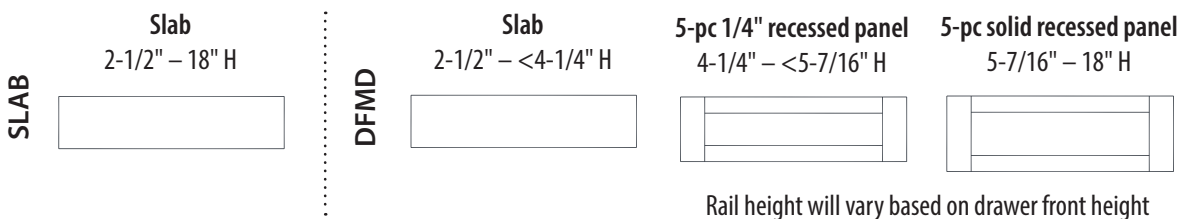
10% Curated Paints

20% Pick Your Paint

### Door & panel appearance and size limits:


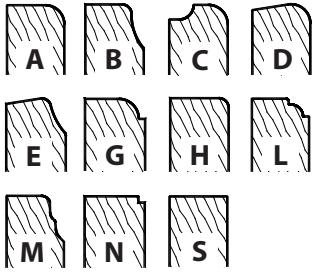
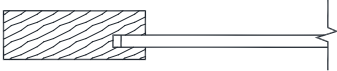


### Drawer front appearance and size limits:


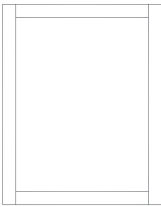
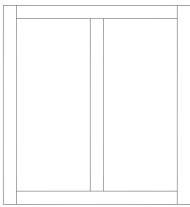
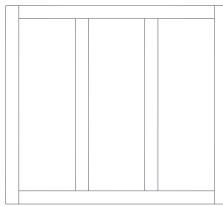
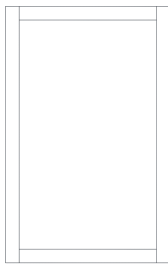
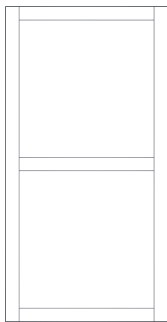






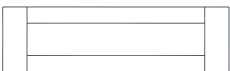
# Wood Doors

<b>Shaker Center (SHK-M)</b>							
		<b>PRICE POINT: C12</b>					
		<b>Overlays</b>	0%			Modified	<b>Prep for Glass</b>
10%	Inset		See pg M-11 for details				
15%	Beaded Inset						
<b>Hinges (per door)</b>	\$0	Finial Ball (Inset only)	<b>Paint</b>	Available on Red Oak or Maple +			
	\$0	Concealed		10%	Curated Paints		
	\$29	Concealed IM		20%	Pick Your Paint		
<b>Drawer Fronts</b>	\$0	Slab Only					
	\$153	DFMD					
		<b>Wood Species</b>					
						0%	Red Oak
						0%	Beech
						0%	Hickory
						6%	Alder
						10%	Maple
		20%	Cherry				
<b>Type</b>	Mortise & Tenon						
<b>Center Panel</b>	1/4" thick						
<b>Stile Width</b>	2-1/4"						
<b>Rail Width</b>	2-1/4"						

## Door & panel appearance and size limits:

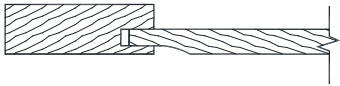
4" - <7" W	7" - <13-3/16" W	13-3/16" - 24-1/4" W	Center Mullion Added >24-1/4" - 36" W	8-3/4" - 52" H	Center Rail Added >52" - 73" H
					

## Drawer front appearance and size limits:

<b>SLAB</b>	<b>Slab</b> 2-1/2" - 18" H	<b>DFMD</b>	<b>Slab</b> 2-1/2" - <4-1/4" H	<b>5-pc 1/4" recessed panel</b> 4-1/4" - 18" H
				
Rail height will vary based on drawer front height				

# Wood Doors

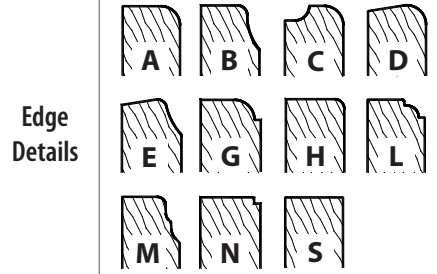
## Shaker Center Solid (SHKS-M)



Type	Mortise & Tenon
Center Panel	3/8" thick solid wood
Stile Width	2-1/4"
Rail Width	2-1/4"

### PRICE POINT: C14

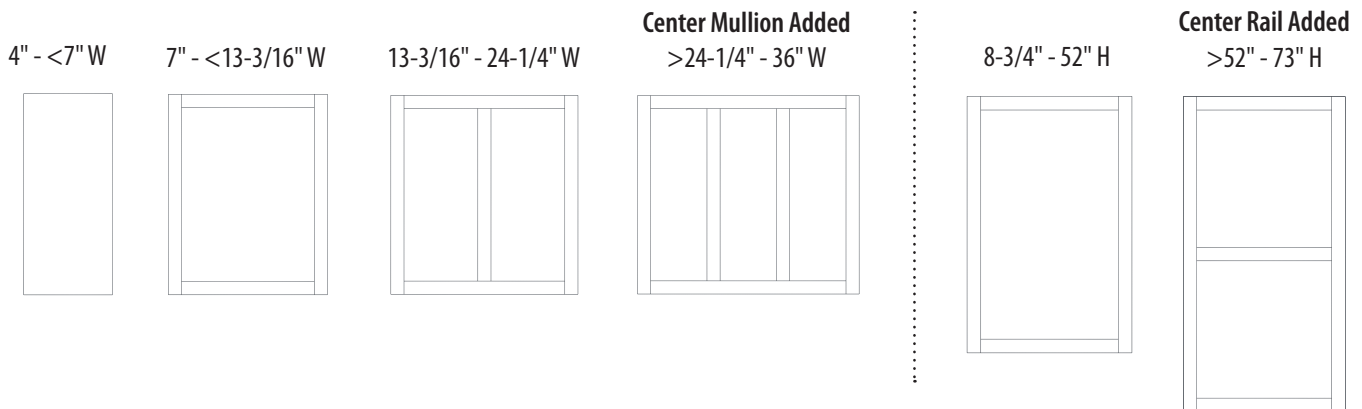
Overlays	0%	Modified	
	10%	Inset	
	15%	Beaded Inset	
Hinges (per door)	\$0	Finial Ball (Inset only)	
	\$0	Concealed	
	\$29	Concealed IM	
Drawer Fronts	\$0	Slab	
	\$153	DFMD	
Wood Species	0%	Red Oak	
	0%	Hickory	5% Rustic
	0%	Beech	7% Rustic
	4%	Alder	7% Rustic
	10%	Maple	15% Rustic
	20%	Cherry	
	30%	Sapele	



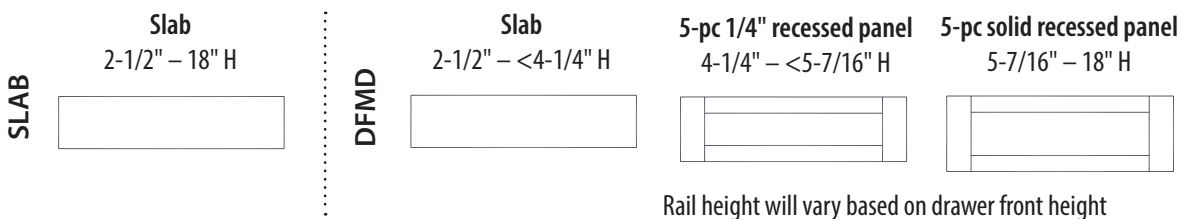
Prep for Glass	RFG
	See pg M-11 for details

Paint	Available on Red Oak or Maple +	
	10%	Curated Paints
	20%	Pick Your Paint



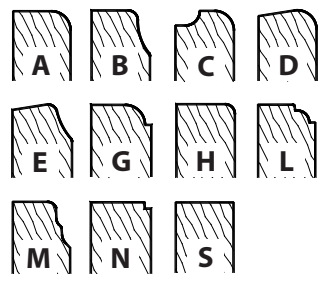
### Door & panel appearance and size limits:



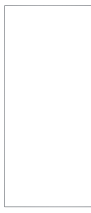
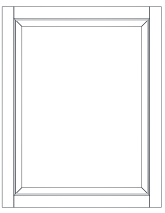
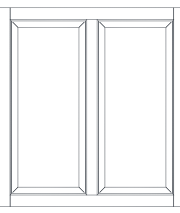
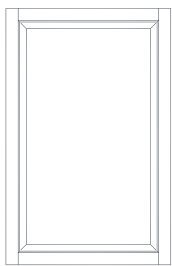
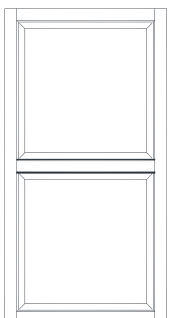
### Drawer front appearance and size limits:





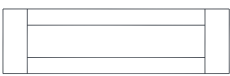
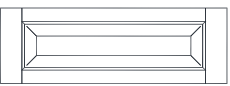
# Wood Doors

Shalimar (SHL)						
  	<b>PRICE POINT: C12</b>					
	<b>Overlays</b>	0%	Modified			
		10%	Inset			
		15%	Beaded Inset			
	<b>Hinges (per door)</b>	\$0	Finial Ball (Inset only)			
		\$0	Concealed			
		\$29	Concealed IM			
	<b>Drawer Fronts</b>	\$0	Slab			
		\$153	DFMD			
	<b>Wood Species</b>	0%	Red Oak			
0%		Hickory	5%	Rustic		
0%		Beech	7%	Rustic		
4%		Alder	7%	Rustic		
10%		Maple	15%	Rustic		
20%		Cherry				
30%		Sapele				
40%		Black Walnut				
				RFG, MGD, MGDC, MGDH, MGDN, MGDX See pgs M-11 – M-13 for details		
				Available on Red Oak or Maple + 10% Curated Paints 20% Pick Your Paint		

**Door & panel appearance and size limits:**

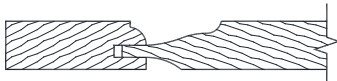
4" - <7" W	7" - 27" W	Center Mullion Added >27" - 36" W	8-15/16" - 52" H	Center Rail Added >52" - 73" H
				
Doors under 7-1/2" wide: stiles vary by width				

**Drawer front appearance and size limits:**

<b>SLAB</b>	Slab 2-1/2" – 18" H	<b>DFMD</b>	Slab 2-1/2" – <4-1/4" H	5-pc 1/4" recessed panel 4-1/4" – <5-7/16" H	5-pc solid raised panel 5-7/16" – 18" H
					
Rail height will vary based on drawer front height					

# Wood Doors

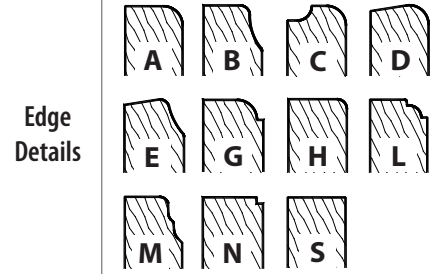
## Shalimar Roman (SHL-R)



Type	Mortise & Tenon
Center Panel	3/4" thick solid wood
Stile Width	2-1/4"
Rail Width	2-1/4"

### PRICE POINT: C12A

Overlays	0%	Modified	
	10%	Inset	
	15%	Beaded Inset	
Hinges (per door)	\$0	Finial Ball (Inset only)	
	\$0	Concealed	
	\$29	Concealed IM	
Drawer Fronts	\$0	Slab	
	\$153	DFMD	
Wood Species	0%	Red Oak	
	0%	Hickory	5% Rustic
	0%	Beech	7% Rustic
	4%	Alder	7% Rustic
	10%	Maple	15% Rustic
	20%	Cherry	
	30%	Sapele	



Prep for Glass	RFG, MGD, MGDH
	See pgs M-11 – M-12 for details

Paint	Available on Red Oak or Maple +
	10% Curated Paints
	20% Pick Your Paint

### Door & panel appearance and size limits:

4" - <7" W	7" - 8-1/2" W	Arched Top 8-1/2" - 27" W	Arched Top 8-3/4" - 52" H	Center Rail Added >52" - 73" H

Doors under 7-1/2" wide: stiles vary by width
























- Arch is applied to:
- Wall cabinets
  - Top door(s) of stacked cabinets
  - Top door(s) of Tall cabinets
- Includes finished end options with doors

### Drawer front appearance and size limits:


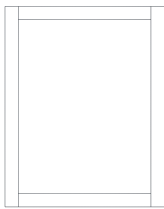
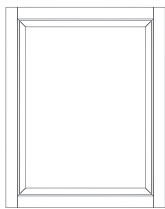
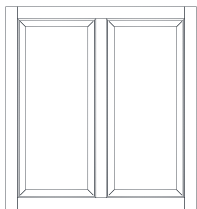
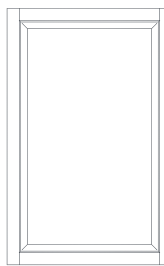
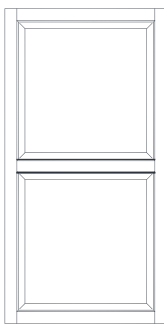
SLAB	Slab 2-1/2" - 18" H	DFMD	Slab 2-1/2" - <4-1/4" H	5-pc 1/4" recessed panel 4-1/4" - <5-7/16" H	5-pc solid raised panel 5-7/16" - 18" H

Rail height will vary based on drawer front height





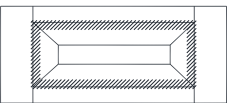
# Wood Doors

<p>Springwood (SPW)</p>   <table border="1"> <tr> <td>Type</td> <td>M&amp;T Applied Mldg.</td> </tr> <tr> <td>Center Panel</td> <td>3/4" thick solid wood</td> </tr> <tr> <td>Stile Width</td> <td>2-1/4"</td> </tr> <tr> <td>Rail Width</td> <td>2-1/4"</td> </tr> </table>	Type	M&T Applied Mldg.	Center Panel	3/4" thick solid wood	Stile Width	2-1/4"	Rail Width	2-1/4"	<p><b>PRICE POINT: C16</b></p> <table border="1"> <tr> <td rowspan="3">Overlays</td> <td>0%</td> <td>Modified</td> </tr> <tr> <td>10%</td> <td>Inset</td> </tr> <tr> <td>15%</td> <td>Beaded Inset</td> </tr> <tr> <td rowspan="3">Hinges (per door)</td> <td>\$0</td> <td>Finial Ball (Inset only)</td> </tr> <tr> <td>\$0</td> <td>Concealed</td> </tr> <tr> <td>\$29</td> <td>Concealed IM</td> </tr> <tr> <td rowspan="2">Drawer Fronts</td> <td>\$0</td> <td>Slab</td> </tr> <tr> <td>\$153</td> <td>DFMD</td> </tr> <tr> <td rowspan="7">Wood Species</td> <td>0%</td> <td>Red Oak</td> </tr> <tr> <td>0%</td> <td>Beech</td> <td>7% Rustic</td> </tr> <tr> <td>4%</td> <td>Alder</td> <td>7% Rustic</td> </tr> <tr> <td>5%</td> <td>Hickory</td> <td>10% Rustic</td> </tr> <tr> <td>10%</td> <td>Maple</td> <td>15% Rustic</td> </tr> <tr> <td>20%</td> <td>Cherry</td> <td></td> </tr> <tr> <td>30%</td> <td>Sapele</td> <td></td> </tr> </table>		Overlays	0%	Modified	10%	Inset	15%	Beaded Inset	Hinges (per door)	\$0	Finial Ball (Inset only)	\$0	Concealed	\$29	Concealed IM	Drawer Fronts	\$0	Slab	\$153	DFMD	Wood Species	0%	Red Oak	0%	Beech	7% Rustic	4%	Alder	7% Rustic	5%	Hickory	10% Rustic	10%	Maple	15% Rustic	20%	Cherry		30%	Sapele		<table border="1"> <tr> <td rowspan="2">Edge Details</td> <td></td> <td></td> <td></td> <td></td> </tr> <tr> <td></td> <td></td> <td></td> <td></td> </tr> <tr> <td rowspan="2">Prep for Glass</td> <td colspan="4">                     RFG, MGD, MGDH See pgs M-11 – M-12 for details                 </td> </tr> <tr> <td rowspan="3">Paint</td> <td colspan="4">Available on Red Oak or Maple +</td> </tr> <tr> <td>10%</td> <td colspan="3">Curated Paints</td> </tr> <tr> <td>20%</td> <td colspan="3">Pick Your Paint</td> </tr> </table>	Edge Details									Prep for Glass	RFG, MGD, MGDH See pgs M-11 – M-12 for details				Paint	Available on Red Oak or Maple +				10%	Curated Paints			20%	Pick Your Paint		
	Type	M&T Applied Mldg.																																																																												
Center Panel	3/4" thick solid wood																																																																													
Stile Width	2-1/4"																																																																													
Rail Width	2-1/4"																																																																													
Overlays	0%	Modified																																																																												
	10%	Inset																																																																												
	15%	Beaded Inset																																																																												
Hinges (per door)	\$0	Finial Ball (Inset only)																																																																												
	\$0	Concealed																																																																												
	\$29	Concealed IM																																																																												
Drawer Fronts	\$0	Slab																																																																												
	\$153	DFMD																																																																												
Wood Species	0%	Red Oak																																																																												
	0%	Beech	7% Rustic																																																																											
	4%	Alder	7% Rustic																																																																											
	5%	Hickory	10% Rustic																																																																											
	10%	Maple	15% Rustic																																																																											
	20%	Cherry																																																																												
	30%	Sapele																																																																												
Edge Details																																																																														
																																																																														
Prep for Glass	RFG, MGD, MGDH See pgs M-11 – M-12 for details																																																																													
	Paint	Available on Red Oak or Maple +																																																																												
10%		Curated Paints																																																																												
20%		Pick Your Paint																																																																												






**Door & panel appearance and size limits:**

<p>4" - &lt;7" W</p> 	<p><b>Recessed Panel</b> 7" - &lt;8-11/6" W</p>  <p>Recessed solid panel</p>	<p><b>Raised Panel</b> 8-11/16" - 27" W</p>  <p>Raised panel</p>	<p><b>Center Mullion Added</b> &gt;27" - 36" W</p> 	<p>8-3/4" - 52" H</p>  <p>Doors below 10" H receive 1/4" recessed panel</p>	<p><b>Center Rail Added</b> &gt;52" - 73" H</p> 
--	---	---	--	--	---

**Drawer front appearance and size limits:**


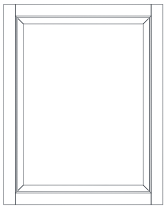
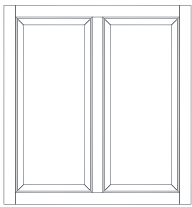
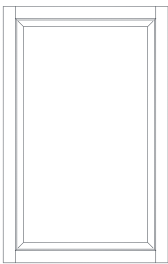
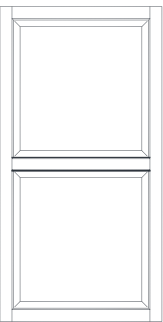
SLAB	<p><b>Slab</b> 2-1/2" - 18" H</p> 	DFMD	<p><b>Slab</b> 2-1/2" - &lt;4-1/4" H</p> 	<p><b>3-piece slab w/mldg</b> 4-1/4" - &lt;5-7/16" H</p> 	<p><b>5-piece solid recessed panel</b> 5-7/16" - &lt;7-11/16" H</p> 	<p><b>5-piece raised panel</b> 7-11/16" - 18" H</p> 
	<p>Drawer fronts 4-1/4" H and up include moulding detail to match door 5-pc front: rail height will vary based on drawer front height</p>					

# Wood Doors





<b>Stratford (STF)</b>		<b>PRICE POINT: C12</b>		  		
		<b>Overlays</b>	0%			Modified
			10%	Inset	<b>Paint</b>	Available on Red Oak or Maple + 10% Curated Paints 20% Pick Your Paint
<b>Hinges (per door)</b>	\$0	Finial Ball (Inset only)	<b>Wood Species</b>			
	\$0	Concealed				
<b>Drawer Fronts</b>	\$29	Concealed IM	0%	Red Oak		
	\$0	Slab	0%	Hickory		
			0%	Beech	7%	Rustic
			4%	Alder	7%	Rustic
			10%	Maple	15%	Rustic
			20%	Cherry		
			30%	Sapele		
			40%	Black Walnut		

<b>Type</b>	Mortise & Tenon
<b>Center Panel</b>	3/4" thick solid wood
<b>Stile Width</b>	2-1/4"
<b>Rail Width</b>	2-1/4"


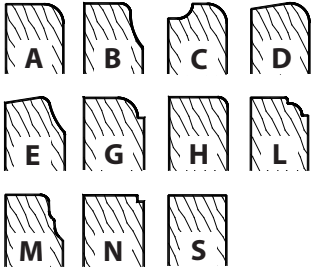
## Door & panel appearance and size limits:

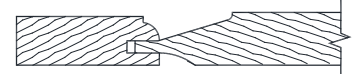
4" - <7" W	7" - 27" W	<b>Center Mullion Added</b> >27" - 36" W		8-3/4" - 52" H	<b>Center Rail Added</b> >52" - 73" H
					
Doors under 7-1/2" wide: stiles vary by width					

## Drawer front appearance and size limits:

<b>SLAB</b>	<b>Slab</b> 2-1/2" – 18" H		<b>DFMD</b>	<b>Slab</b> 2-1/2" – <4-1/4" H	<b>5-pc 1/4" recessed panel</b> 4-1/4" – <5-7/16" H	<b>5-pc solid raised panel</b> 5-7/16" – 18" H
						


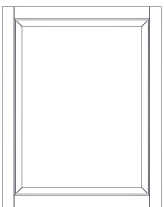
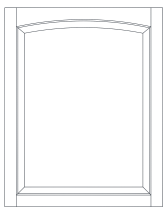
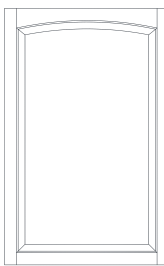
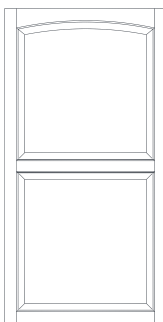
# Wood Doors

<b>Stratford Roman (STF-R)</b>						
	<b>PRICE POINT: C12A</b>					
	<b>Overlays</b>	0%	Modified			
		10%	Inset			
		15%	Beaded Inset			
	<b>Hinges (per door)</b>	\$0	Finial Ball (Inset only)			
		\$0	Concealed			
		\$29	Concealed IM			
	<b>Drawer Fronts</b>	\$0	Slab			
		\$153	DFMD			
	<b>Wood Species</b>	0%	Red Oak			
0%		Hickory	5%	Rustic		
0%		Beech	7%	Rustic		
4%		Alder	7%	Rustic		
10%		Maple	15%	Rustic		
20%		Cherry				
30%		Sapele				
				<b>Prep for Glass</b>	RFG, MGD, MGDH  See pgs M-11 – M-12 for details	
				<b>Paint</b>	Available on Red Oak or Maple + 10% Curated Paints 20% Pick Your Paint	




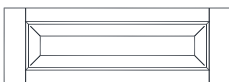


<b>Type</b>	Mortise & Tenon
<b>Center Panel</b>	3/4" thick solid wood
<b>Stile Width</b>	2-1/4"
<b>Rail Width</b>	2-1/4"

### Door & panel appearance and size limits:


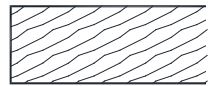
<b>Slab</b> 4" - <7" W	<b>Arched Top</b> 7" - 8-1/2" W	<b>Arched Top</b> 8-1/2" - 27" W	<b>Arched Top</b> 8-3/4" - 52" H	<b>Center Rail Added</b> >52" - 73" H	
					Arch is applied to: • Wall cabinets • Top door(s) of stacked cabinets • Top door(s) of Tall cabinets Includes finished end options with doors
Doors under 7-1/2" wide: stiles vary by width					

### Drawer front appearance and size limits:


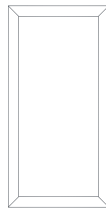
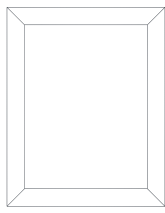
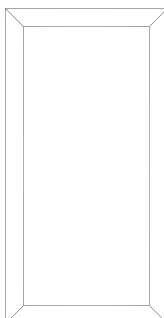
<b>Slab</b> 2-1/2" - 18" H	<b>Slab</b> 2-1/2" - <4-1/4" H	<b>5-pc 1/4" recessed panel</b> 4-1/4" - <5-7/16" H	<b>5-pc solid raised panel</b> 5-7/16" - 18" H
			
Rail height will vary based on drawer front height			






# Wood Doors

<p style="text-align: center;">Trio (TRO)</p> 		<b>PRICE POINT: C14</b>		<p style="text-align: center;"><b>Standard Edge Detail</b></p> 												
		<p><b>Overlay</b></p>	0%		Modified											
<p><b>Hinges (per door)</b></p>	\$0	Concealed														
	\$29	Concealed IM														
<p><b>Drawer Fronts</b></p>	\$0	Slab Only														
	\$153	DFMD														
<p style="text-align: center;"><b>Wood Species</b></p>	0%	Red Oak														
	0%	Beech														
	0%	Hickory														
	6%	Alder														
	10%	Maple														
	20%	Cherry														
<table border="1"> <tr> <td><b>Type</b></td> <td>Mitered</td> </tr> <tr> <td><b>Center Panel</b></td> <td>1/4" thick</td> </tr> <tr> <td><b>Stile Width</b></td> <td>3"</td> </tr> <tr> <td><b>Rail Width</b></td> <td>3"</td> </tr> </table>		<b>Type</b>	Mitered	<b>Center Panel</b>	1/4" thick	<b>Stile Width</b>	3"	<b>Rail Width</b>	3"	<p><b>Prep for Glass</b></p> <p style="text-align: center;">RFG, MGD, MGDH, MGDN</p> <p style="text-align: center;">See pgs M-11 – M-12 for details</p>		<p><b>Paint</b></p> <p style="text-align: center;">Available on Red Oak or Maple +</p> <table border="1"> <tr> <td>10%</td> <td>Curated Paints</td> </tr> <tr> <td>20%</td> <td>Pick Your Paint</td> </tr> </table>	10%	Curated Paints	20%	Pick Your Paint
<b>Type</b>	Mitered															
<b>Center Panel</b>	1/4" thick															
<b>Stile Width</b>	3"															
<b>Rail Width</b>	3"															
10%	Curated Paints															
20%	Pick Your Paint															

## Door & panel appearance and size limits:

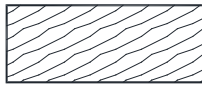

4" - <7" W	1-3/4" Stile & Rail 7" - <8-1/2" W	3" Stile & Rail 8-1/2" - 36" W	8-13/16" - 73" H
			

## Drawer front appearance and size limits:



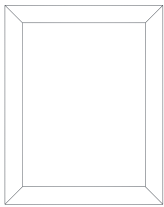
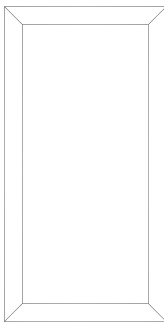
<b>SLAB</b>	<p><b>Slab</b> 2-1/2" – 18" H</p> 	<b>DFMD</b>	<p><b>Slab</b> 2-1/2" – &lt;5-7/16" H</p> 	<p><b>5-pc 1/4" recessed panel</b> 5-7/16" – 18" H</p>  <p style="text-align: center;">1-3/4" W stiles &amp; rails</p>
-------------	---	-------------	---	---






# Wood Doors

<b>Trio Solid (TROS)</b>		<b>PRICE POINT: C15</b>		<b>Standard Edge Detail</b> 		
		<b>Overlay</b>	0%			Modified
		<b>Hinges (per door)</b>		\$0	Concealed	
			\$29	Concealed IM		
	<b>Drawer Fronts</b>		\$0	Slab		
			\$153	DFMD		
	<b>Wood Species</b>		0%	Red Oak		
			0%	Beech	7%	Rustic
			0%	Hickory	7%	Rustic
			4%	Alder	7%	Rustic
			10%	Maple	15%	Rustic
			20%	Cherry		
			30%	Sapele		
<b>Type</b>	Mitered					
<b>Center Panel</b>	3/8" thick solid wood					
<b>Stile Width</b>	3"					
<b>Rail Width</b>	3"					
<b>Prep for Glass</b>	RFG, MGD, MGDH, MGDN					
	See pgs M-11 – M-12 for details					
<b>Paint</b>	Available on Red Oak or Maple +					
	10%	Curated Paints				
	20%	Pick Your Paint				


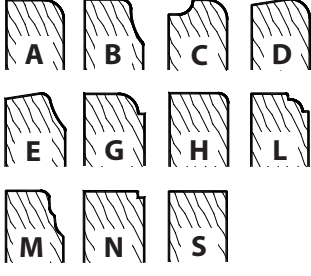
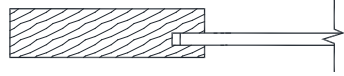
## Door & panel appearance and size limits:

4" - <7" W	1-3/4" Stile & Rail 7" - <8-1/2" W	3" Stile & Rail 8-1/2" - 36" W	8-13/16" - 73" H
			


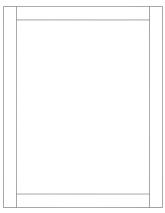
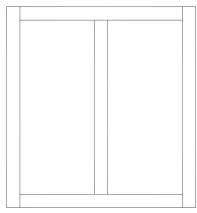
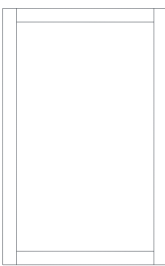
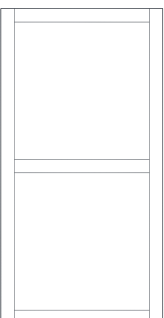
## Drawer front appearance and size limits:

<b>SLAB</b>	<b>Slab</b> 2-1/2" – 18" H	<b>DFMD</b>	<b>Slab</b> 2-1/2" – <5-7/16" H	<b>5-pc solid recessed panel</b> 5-7/16" – 18" H
				
1-3/4" W stiles & rails				





# Wood Doors

<p>Valley Forge (VAF)</p> 		<p><b>PRICE POINT: C12</b></p>												
		<p><b>Overlays</b></p>	0%					Modified	<p><b>Hinges (per door)</b></p>	\$0	Finial Ball (Inset only)			
10%	Inset		\$0	Concealed										
15%	Beaded Inset		\$29	Concealed IM										
<p><b>Drawer Fronts</b></p>	\$0	Slab Only	<p><b>Wood Species</b></p>	0%	Red Oak									
	\$90	3-Piece		0%	Beech									
	\$153	DFMD		0%	Hickory									
 <table border="1"> <tr> <td><b>Type</b></td> <td>Mortise &amp; Tenon</td> </tr> <tr> <td><b>Center Panel</b></td> <td>1/4" thick</td> </tr> <tr> <td><b>Stile Width</b></td> <td>3"</td> </tr> <tr> <td><b>Rail Width</b></td> <td>3"</td> </tr> </table>		<b>Type</b>	Mortise & Tenon	<b>Center Panel</b>	1/4" thick	<b>Stile Width</b>	3"	<b>Rail Width</b>	3"	6%	Alder	<p><b>Prep for Glass</b></p>	RFG, MGD, MGDC, MGDH, MGDN, MGDX	
		<b>Type</b>	Mortise & Tenon											
		<b>Center Panel</b>	1/4" thick											
		<b>Stile Width</b>	3"											
<b>Rail Width</b>	3"													
10%	Maple	See pgs M-11 – M-13 for details												
20%	Cherry	<p><b>Paint</b></p>	Available on Red Oak or Maple +											
			10%	Curated Paints										
				20%	Pick Your Paint									


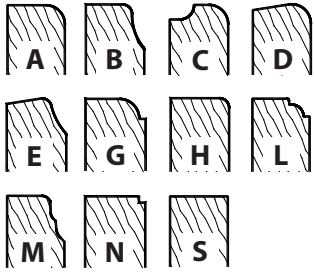
## Door & panel appearance and size limits:

4" - <7" W	7" - 27" W	Center Mullion Added >27" - 36" W	8-3/4" - 52" H	Center Rail Added >52" - 73" H
				
Doors under 8-1/2" wide: stiles vary by width				

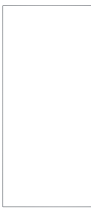
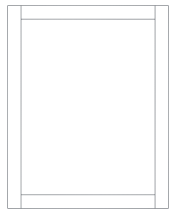
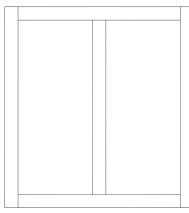

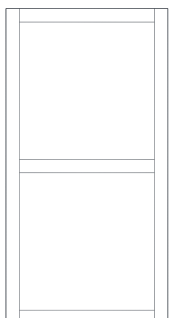
## Drawer front appearance and size limits:

<p><b>SLAB</b></p>	<p>Slab 2-1/2" - 18" H</p> 	<p><b>3-PIECE</b></p>	<p>3-piece slab - ordered 2-1/2" - 18" H</p> 	<p><b>DFMD</b></p>	<p>3-piece slab 2-1/2" - &lt;4-1/4" H</p> 	<p>5-pc 1/4" recessed panel 4-1/4" - 18" H</p> 
	Rail height will vary based on drawer front height					






# Wood Doors

<b>Valley Forge Solid (VAFS)</b> 		<b>PRICE POINT: C14</b>							
		<b>Overlays</b>	0%	Modified					
10%	Inset		\$0	Concealed					
15%	Beaded Inset		\$29	Concealed IM					
<b>Drawer Fronts</b>	\$0	Slab		<b>Wood Species</b>	0%	Red Oak			
	\$90	3-Piece			0%	Hickory	5%	Rustic	
	\$153	DFMD			0%	Beech	7%	Rustic	
<b>Type</b> <b>Center Panel</b> <b>Stile Width</b> <b>Rail Width</b>	<b>Mortise &amp; Tenon</b> 3/8" thick solid wood 3" 3"		0%	Alder		7%	Rustic		
			10%	Maple		15%	Rustic		
			20%	Cherry					
			30%	Sapele					
			40%	Black Walnut					
							<b>Prep for Glass</b>	RFG, MGD, MGDC, MGDH, MGDN, MGDX See pgs M-11 – M-13 for details	
				<b>Paint</b>	Available on Red Oak or Maple +				
					10%	Curated Paints			
					20%	Pick Your Paint			














## Door & panel appearance and size limits:

4" - <7" W	7" - 27" W	Center Mullion Added >27" - 36" W	8-3/4" - 52" H	Center Rail Added >52" - 73" H
				
Doors under 9" wide: stiles vary by width				


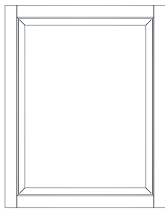
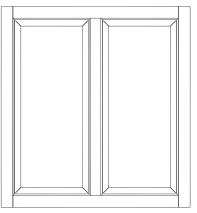
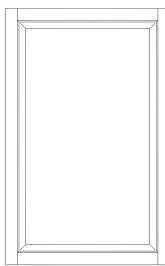
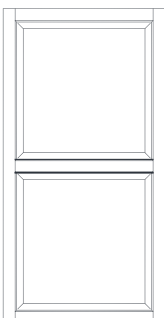
## Drawer front appearance and size limits:

<b>SLAB</b>	<b>Slab</b> 2-1/2" - 18" H	<b>3-PIECE</b>	<b>3-piece slab - ordered</b> 2-1/2" - 18" H	<b>DFMD</b>	<b>3-piece slab</b> 2-1/2" - <4-1/4" H	<b>5-pc 1/4" recessed panel</b> 4-1/4" - <5-7/16" H	<b>5-pc solid recessed panel</b> 5-7/16" - "18 H
							
Rail height will vary based on drawer front height							



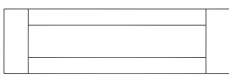
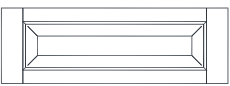
# Wood Doors

<p><b>Windsor (WIN)</b></p>  	<p><b>PRICE POINT: C12</b></p>		   	
	<p><b>Overlays</b></p>	<p>0% Modified</p> <p>10% Inset</p> <p>15% Beaded Inset</p>	   	
<p><b>Hinges (per door)</b></p>	<p>\$0 Finial Ball (Inset only)</p> <p>\$0 Concealed</p> <p>\$29 Concealed IM</p>	  		
	<p><b>Drawer Fronts</b></p>	<p>\$0 Slab</p> <p>\$153 DFMD</p>	<p><b>Prep for Glass</b></p> <p>RFG, MGD, MGDC, MGDH, MGDN, MGDX</p> <p>See pgs M-11 – M-13 for details</p>	
	<p><b>Wood Species</b></p>	<p>0% Red Oak</p> <p>0% Hickory</p> <p>0% Beech</p> <p>4% Alder</p> <p>10% Maple</p> <p>20% Cherry</p> <p>30% Sapele</p> <p>40% Black Walnut</p>	<p>5% Rustic</p> <p>7% Rustic</p> <p>7% Rustic</p> <p>15% Rustic</p>	<p><b>Paint</b></p> <p>Available on Red Oak or Maple +</p> <p>10% Curated Paints</p> <p>20% Pick Your Paint</p>
<p><b>Type</b></p>		<p>Mortise &amp; Tenon</p>		
<p><b>Center Panel</b></p>		<p>3/4" thick solid wood</p>		
<p><b>Stile Width</b></p>		<p>2-1/4"</p>		
<p><b>Rail Width</b></p>		<p>2-1/4"</p>		

## Door & panel appearance and size limits:

<p>4" - &lt;7" W</p> 	<p>7" - 27" W</p> 	<p><b>Center Mullion Added</b> &gt;27" - 36" W</p> 		<p>8-3/4" - 52" H</p> 	<p><b>Center Rail Added</b> &gt;52" - 73" H</p> 
<p>Doors under 7-1/2" wide: stiles vary by width</p>					

## Drawer front appearance and size limits:

<p><b>SLAB</b></p>	<p><b>Slab</b> 2-1/2" - 18" H</p> 	<p><b>DFMD</b></p>	<p><b>Slab</b> 2-1/2" - &lt;4-1/4" H</p> 	<p><b>5-pc 1/4" recessed panel</b> 4-1/4" - &lt;5-7/16" H</p> 	<p><b>5-pc solid raised panel</b> 5-7/16" - 18" H</p> 
	<p>Rail height will vary based on drawer front height</p>				

# Wood Doors

## Windsor Roman (WIN-R)



Type	Mortise & Tenon
Center Panel	3/4" thick solid wood
Stile Width	2-1/4"
Rail Width	2-1/4"

### PRICE POINT: C12A

Overlays	0%	Modified	
	10%	Inset	
	15%	Beaded Inset	
Hinges (per door)	\$0	Finial Ball (Inset only)	
	\$0	Concealed	
	\$29	Concealed IM	
Drawer Fronts	\$0	Slab	
	\$153	DFMD	
Wood Species	0%	Red Oak	
	0%	Hickory	5% Rustic
	0%	Beech	7% Rustic
	4%	Alder	7% Rustic
	10%	Maple	15% Rustic
	20%	Cherry	
	30%	Sapele	

Edge Details	A	B	C	D
	E	G	H	L
	M	N	S	
Prep for Glass	RFG, MGD, MGDH			
	See pgs M-11 – M-12 for details			
Paint	Available on Red Oak or Maple +			
	10%	Curated Paints		
	20%	Pick Your Paint		

### Door & panel appearance and size limits:

4" - <7" W	7" - 8-1/2" W	Arched Top 8-1/2" - 27" W	Arched Top 8-3/4" - 52" H	Center Rail Added >52" - 73" H

Doors under 7-1/2" wide: stiles vary by width

Arch is applied to:

- Wall cabinets
- Top door(s) of stacked cabinets
- Top door(s) of Tall cabinets

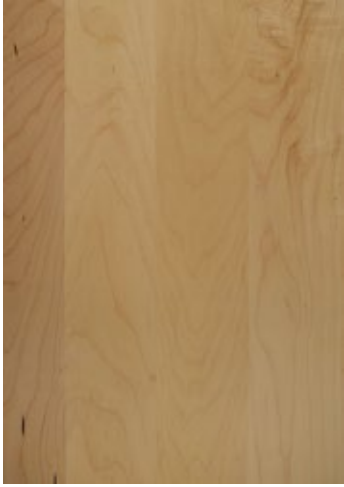
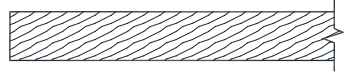




















Includes finished end options with doors

### Drawer front appearance and size limits:


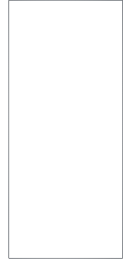
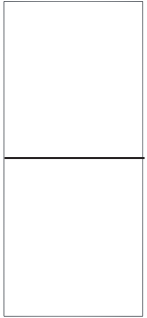
SLAB	Slab 2-1/2" - 18" H	DFMD	Slab 2-1/2" - <4-1/4" H	5-pc 1/4" recessed panel 4-1/4" - <5-7/16" H	5-pc solid raised panel 5-7/16" - 18" H

Rail height will vary based on drawer front height

# Slab Wood Doors

Copenhagen (CPH)		<b>PRICE POINT: C11</b>																										
  	<b>Overlay</b>	0%	Modified	<b>Wood Edge Details</b>           																								
	<b>Hinges (per door)</b>	\$0	Concealed																									
	<b>Drawer Fronts</b>	\$0	Slab only																									
	<b>Wood Species</b>	0%	Red Oak																									
		0%	Beech																									
		0%	Hickory																									
		0%	HDF (for paint)																									
		4%	Alder																									
		10%	Maple																									
		20%	Cherry																									
	30%	Sapele																										
	40%	Black Walnut																										
<table border="1"> <tr> <td style="background-color: #cccccc;"><b>Type</b></td> <td>Solid Wood or HDF</td> </tr> <tr> <td style="background-color: #cccccc;"><b>Panel</b></td> <td>3/4" thick</td> </tr> <tr> <td style="background-color: #cccccc;"><b>Grain</b></td> <td>Doors: Vertical</td> </tr> <tr> <td style="background-color: #cccccc;"><b>Direction</b></td> <td>Drawers: Horizontal</td> </tr> </table>		<b>Type</b>	Solid Wood or HDF	<b>Panel</b>	3/4" thick	<b>Grain</b>	Doors: Vertical	<b>Direction</b>	Drawers: Horizontal	<p>Wood doors are constructed from multiple pieces. A range of grain patterns and colors may appear on the same panel.</p>		<table border="1"> <tr> <td style="background-color: #cccccc;"><b>HDF Edge Details</b></td> <td colspan="2">  </td> </tr> <tr> <td style="background-color: #cccccc;"><b>Prep for Glass</b></td> <td colspan="2">Not Available</td> </tr> <tr> <td style="background-color: #cccccc;"><b>Paint</b></td> <td colspan="2">Available on HDF* only +</td> </tr> <tr> <td></td> <td>10%</td> <td>Curated Paints</td> </tr> <tr> <td></td> <td>20%</td> <td>Pick Your Paint</td> </tr> </table> <p>*Painted HDF material will be used for doors, fronts and SFPOs only. Box components, accessories, oven panels and tambour doors will be painted maple.</p>		<b>HDF Edge Details</b>	  		<b>Prep for Glass</b>	Not Available		<b>Paint</b>	Available on HDF* only +			10%	Curated Paints		20%	Pick Your Paint
<b>Type</b>	Solid Wood or HDF																											
<b>Panel</b>	3/4" thick																											
<b>Grain</b>	Doors: Vertical																											
<b>Direction</b>	Drawers: Horizontal																											
<b>HDF Edge Details</b>	  																											
<b>Prep for Glass</b>	Not Available																											
<b>Paint</b>	Available on HDF* only +																											
	10%	Curated Paints																										
	20%	Pick Your Paint																										


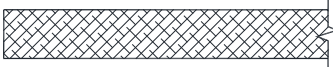
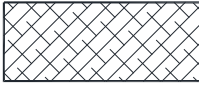
## Door & panel appearance and size limits:

4" - 35" W	8-3/4" - 49-3/4" H	<b>2 Equal Sized Doors Battened Together</b> >49-3/4" - 73" H
		



## Drawer front appearance and size limits:

2-1/2" - 18" H


# Slab Wood Doors

Dover (DOV)					
  	<b>PRICE POINT: C7</b>				<b>Standard Edge Detail</b>  
	<b>Overlay</b>	0%	Modified		
	<b>Hinges (per door)</b>	\$0	Concealed		
		\$29	Concealed IM		
	<b>Drawer Fronts</b>	\$0	Slab only		
	<b>Wood Species</b>	0%	Red Oak		
5%		Beech			
0%		Hickory			
10%		Maple			
20%		Cherry			
		<b>Note:</b> Alder and Sapele are available on Dover Plycore (see next page)			
<b>Type</b>	Wood Veneer				
<b>Panel</b>	3/4" thick PBD				
<b>Grain</b>	Doors: Vertical				
<b>Direction</b>	Drawers: Horizontal				
		<b>Prep for Glass</b>	Not Available		
		<b>Paint</b>	Not Available		
			Select Copenhagen HDF		


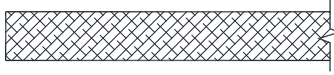
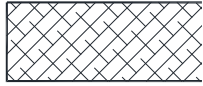
## Door & panel appearance and size limits:

4" - 36" W	8-3/4" - 73" H	<p>Wood veneer materials can be composed of several spliced veneers. As a result, a variable range of grain patterns and colors may appear on the same panel.</p>
		



## Drawer front appearance and size limits:

<b>SLAB</b>	2-1/2" - 18" H
	

# Slab Wood Doors

<p>Dover Plycore (DVP)</p>  		<p><b>PRICE POINT: C7</b></p>		<p><b>Standard Edge Detail</b></p> 																												
						<table border="1"> <tr> <td><b>Overlay</b></td> <td>0%</td> <td>Modified</td> </tr> <tr> <td rowspan="2"><b>Hinges (per door)</b></td> <td>\$0</td> <td>Concealed</td> </tr> <tr> <td>\$29</td> <td>Concealed IM</td> </tr> <tr> <td><b>Drawer Fronts</b></td> <td>\$0</td> <td>Slab only</td> </tr> <tr> <td rowspan="7"><b>Wood Species</b></td> <td>0%</td> <td>Red Oak</td> </tr> <tr> <td>0%</td> <td>Beech</td> </tr> <tr> <td>5%</td> <td>Hickory</td> </tr> <tr> <td>10%</td> <td>Alder</td> </tr> <tr> <td>10%</td> <td>Maple</td> </tr> <tr> <td>20%</td> <td>Cherry</td> </tr> <tr> <td>30%</td> <td>Sapele</td> </tr> <tr> <td><b>Plycore Up-charge</b></td> <td>\$102 MSRP</td> <td><b>Per Cabinet Box</b></td> </tr> </table>		<b>Overlay</b>	0%	Modified	<b>Hinges (per door)</b>	\$0	Concealed	\$29	Concealed IM	<b>Drawer Fronts</b>	\$0	Slab only	<b>Wood Species</b>	0%	Red Oak	0%	Beech	5%	Hickory	10%	Alder	10%	Maple	20%	Cherry	30%
<b>Overlay</b>	0%	Modified																														
<b>Hinges (per door)</b>	\$0	Concealed																														
	\$29	Concealed IM																														
<b>Drawer Fronts</b>	\$0	Slab only																														
<b>Wood Species</b>	0%	Red Oak																														
	0%	Beech																														
	5%	Hickory																														
	10%	Alder																														
	10%	Maple																														
	20%	Cherry																														
	30%	Sapele																														
<b>Plycore Up-charge</b>	\$102 MSRP	<b>Per Cabinet Box</b>																														
<table border="1"> <tr> <td><b>Type</b></td> <td>Wood Veneer</td> </tr> <tr> <td><b>Panel</b></td> <td>3/4" thick Plycore</td> </tr> <tr> <td><b>Grain</b></td> <td>Doors: Vertical</td> </tr> <tr> <td><b>Direction</b></td> <td>Drawers: Horizontal</td> </tr> </table>		<b>Type</b>	Wood Veneer	<b>Panel</b>	3/4" thick Plycore	<b>Grain</b>	Doors: Vertical	<b>Direction</b>	Drawers: Horizontal	<p><b>Paint</b></p> <p>Not Available Select Copenhagen HDF</p>																						
<b>Type</b>	Wood Veneer																															
<b>Panel</b>	3/4" thick Plycore																															
<b>Grain</b>	Doors: Vertical																															
<b>Direction</b>	Drawers: Horizontal																															

## Door & panel appearance and size limits:


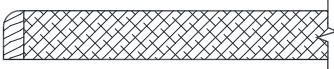



<p>4" - 36" W</p> 	<p>8-3/4" - 73" H</p> 	<p>Wood veneer materials can be composed of several spliced veneers. As a result, a variable range of grain patterns and colors may appear on the same panel.</p>
---	---	---

## Drawer front appearance and size limits:



<p><b>SLAB</b></p> <p>2-1/2" - 18" H</p> 
--



# Slab Wood Doors

Halifax (HAL)																								
	<b>PRICE POINT: C9</b>																							
	<b>Overlay</b>	0%	Modified																					
	<b>Hinges (per door)</b>	\$0	Concealed																					
		\$29	Concealed IM																					
	<b>Drawer Fronts</b>	\$0	Slab only																					
	<b>Wood Species</b>	0%	Red Oak																					
0%		Beech																						
0%		Hickory																						
10%		Maple																						
20%		Cherry																						
		<p><b>Note:</b> Sapele is available on Halifax Plycore (see next page)</p>																						
<b>Type</b>	Wood Veneer																							
<b>Panel</b>	3/4" thick PBD																							
<b>Grain Direction</b>	Doors: Vertical Drawers: Horizontal																							
				<table border="1"> <tr> <td style="text-align: center;"><b>Edge Detail</b></td> <td colspan="2" style="text-align: center;">  </td> </tr> <tr> <td></td> <td colspan="2" style="text-align: center;">Edge cap is 5/16" thick solid wood</td> </tr> <tr> <td style="text-align: center;"><b>Prep for Glass</b></td> <td colspan="2" style="text-align: center;">Not Available</td> </tr> <tr> <td colspan="3"></td> <td colspan="2"> <p><b>Note:</b> Edge cap may be a different species than the face; specify both when ordering</p> <p>When mixed, a 5% up-charge will apply to all cabinets with doors or fronts</p> </td> </tr> <tr> <td rowspan="2" style="text-align: center;"><b>Paint</b></td> <td colspan="2" style="text-align: center;">Not Available</td> </tr> <tr> <td colspan="2" style="text-align: center;">Select Copenhagen HDF</td> </tr> </table>		<b>Edge Detail</b>				Edge cap is 5/16" thick solid wood		<b>Prep for Glass</b>	Not Available					<p><b>Note:</b> Edge cap may be a different species than the face; specify both when ordering</p> <p>When mixed, a 5% up-charge will apply to all cabinets with doors or fronts</p>		<b>Paint</b>	Not Available		Select Copenhagen HDF	
<b>Edge Detail</b>																								
	Edge cap is 5/16" thick solid wood																							
<b>Prep for Glass</b>	Not Available																							
			<p><b>Note:</b> Edge cap may be a different species than the face; specify both when ordering</p> <p>When mixed, a 5% up-charge will apply to all cabinets with doors or fronts</p>																					
<b>Paint</b>	Not Available																							
	Select Copenhagen HDF																							


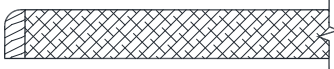

**Door & panel appearance and size limits:**

4" - 36" W	8-3/4" - 73" H	<p>Wood veneer materials can be composed of several spliced veneers. As a result, a variable range of grain patterns and colors may appear on the same panel.</p>
		

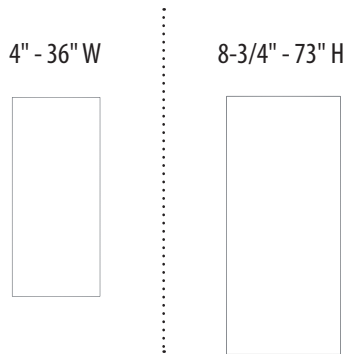
**Drawer front appearance and size limits:**

2-1/2" - 18" H	<p><b>SLAB</b></p> 
	

# Slab Wood Doors

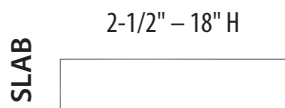
<p><b>Halifax Plycore (HALP)</b></p>  		<p><b>PRICE POINT: C9</b></p>		<p><b>Edge Detail</b></p>  <p>Edge cap is 5/16" thick solid wood</p>	
<p><b>Hinges (per door)</b></p>		<p>\$0 Concealed</p>		<p><b>Prep for Glass</b></p> <p>Not Available</p>	
		<p>\$29 Concealed IM</p>			
<p><b>Drawer Fronts</b></p>		<p>\$0 Slab only</p>		<p><b>Note:</b> Edge cap may be a different species than the face; specify both when ordering</p> <p>When mixed, a 5% up-charge will apply to all cabinets with doors or fronts</p>	
<p><b>Wood Species (Face and Edges)</b></p>		<p>0% Red Oak</p>			
		<p>0% Beech</p>			
		<p>0% Hickory</p>			
		<p>10% Maple</p>			
		<p>20% Cherry</p>			
<p>30% Sapele</p>					
<p><b>Plycore Up-charge</b></p>		<p>\$102 MSRP</p>	<p><b>Per Cabinet Box</b></p>	<p><b>Paint</b></p> <p>Not Available</p> <p>Select Copenhagen HDF</p>	
<p><b>Type</b></p>	<p>Wood Veneer</p>				
<p><b>Panel</b></p>	<p>3/4" thick Plycore</p>				
<p><b>Grain Direction</b></p>	<p>Doors: Vertical Drawers: Horizontal</p>				

## Door & panel appearance and size limits:


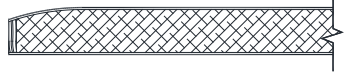
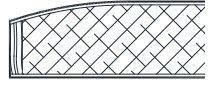


Wood veneer materials can be composed of several spliced veneers. As a result, a variable range of grain patterns and colors may appear on the same panel.



## Drawer front appearance and size limits:



# Slab Wood Doors

<p>Hanover (HAN)</p>  	<p><b>PRICE POINT: C12</b></p>		<p><b>Standard Edge Detail</b></p>  <p>3mm edge tape</p>
	<p><b>Overlay</b></p>	<p>0% Modified</p>	
<p><b>Hinges (per door)</b></p>	<p>\$0 Concealed</p>	<p><b>Drawer Fronts</b></p>	<p>\$0 Slab</p>
	<p>\$29 Concealed IM</p>		
<p><b>Wood Species</b></p>	<p>0% Red Oak</p>	<p><b>Prep for Glass</b></p>	<p>RFG See pg M-11 for details</p>
	<p>0% Beech</p>		
	<p>10% Alder</p>		
	<p>10% Maple</p>		
	<p>20% Cherry</p>		
<p><b>Type</b></p>	<p>Wood Veneer</p>	<p><b>Paint</b></p>	<p>Not Available Select Copenhagen HDF</p>
<p><b>Panel</b></p>	<p>3/4" thick MDF</p>		
<p><b>Grain Direction</b></p>	<p>Doors: Vertical Drawers: Vertical</p>		

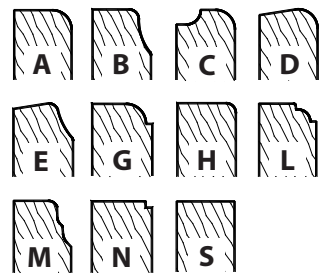

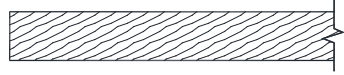
**Door & panel appearance and size limits:**

<p>4" - 36" W</p> 	<p>8-3/4" - 73" H</p> 	<p>Wood veneer materials can be composed of several spliced veneers. As a result, a variable range of grain patterns and colors may appear on the same panel.</p>
---	---	---


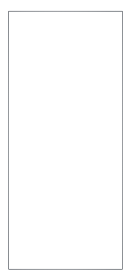
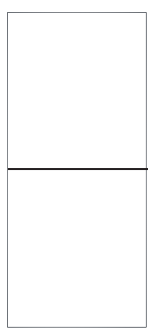
**Drawer front appearance and size limits:**

<p><b>SLAB</b></p> <p>2-1/2" - 18" H</p> 
--

# Slab Wood Doors

Princeton (PCT)		<b>PRICE POINT: C9</b>					
  	<b>Overlay</b>	0%	Traditional			<b>Wood Edge Details</b>	
	<b>Hinges (per door)</b>	\$0	Concealed				
		\$29	Concealed IM	Not Available			
		<b>Drawer Fronts</b>	\$0	Slab only	<b>Paint</b>		
		<b>Wood Species</b>  0% Red Oak 0% Beech 0% Hickory 4% Alder 10% Maple 20% Cherry  Wood doors are constructed from multiple pieces. A range of grain patterns and colors may appear on the same panel.		Not Available			
				Not Available			
				Not Available			
				Not Available			
				Not Available			
<b>Type</b>	Solid Wood						
<b>Panel</b>	3/4" thick solid wood						
<b>Grain</b>	Doors: Vertical						
<b>Direction</b>	Drawers: Horizontal						



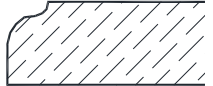
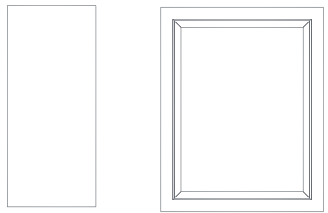
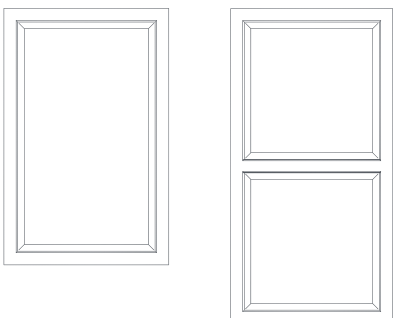


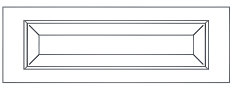
## Door & panel appearance and size limits:

4" - 35" W	8-3/4" - 49-3/4" H	2 Equal Sized Doors Battened Together 49-3/4" - 73" H
		



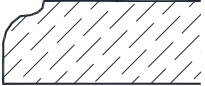
## Drawer front appearance and size limits:

2-1/2" - 18" H


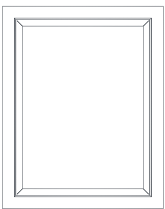
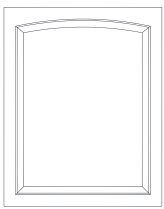
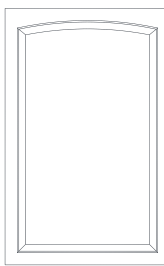
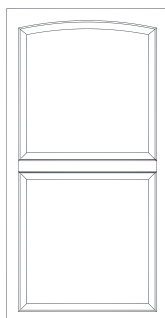

# Thermofoil Doors

<p><b>Glacier Bay (GBA)</b></p>  		<p><b>PRICE POINT: C4</b></p>		<p><b>Standard Edge Detail</b></p> 								
		<p><b>Overlay</b></p>	<p>0% Modified</p>									
<table border="1"> <tr> <td><b>Type</b></td> <td>Thermofoil</td> </tr> <tr> <td><b>Center Panel</b></td> <td>3/4" thick</td> </tr> <tr> <td><b>Stile Width</b></td> <td>2-1/4"</td> </tr> <tr> <td><b>Rail Width</b></td> <td>2-1/4"</td> </tr> </table>		<b>Type</b>	Thermofoil	<b>Center Panel</b>	3/4" thick	<b>Stile Width</b>	2-1/4"	<b>Rail Width</b>	2-1/4"	<p><b>Hinges (per door)</b></p>	<p>\$0 Concealed</p> <p>\$29 Concealed IM</p>	<p><b>Prep for Glass</b></p> <p>RFG, MGD, MGDH, MGDN, MGDQ</p> <p>See pgs M-11 – M-12 for details</p>
		<b>Type</b>	Thermofoil									
<b>Center Panel</b>	3/4" thick											
<b>Stile Width</b>	2-1/4"											
<b>Rail Width</b>	2-1/4"											
<p><b>Drawer Fronts</b></p>	<p>\$0 Slab</p> <p>\$42 DFMD</p>											
<p><b>Available Colors</b></p>												
<p>Doors, drawer fronts, finished end foors (FED) scribe filler plant-ons (SFPO), appliance panel doors (APDR)</p>		<p>Cabinet frames, finished ends, finished interiors, mouldings and finished wood accessories</p>		<p>Compatible HPL Color</p>								
<p><b>White Thermofoil</b></p>		<p>Maple White paint</p>	<p>No up-charges applied</p>	<p>Frosty White 1573</p>								
<p><b>Creme Thermofoil</b></p>		<p>Maple Creme paint</p>		<p>White Sand D403</p>								
<p>Paint and HPL colors are listed as "compatible" to the Thermofoil door color. We cannot guarantee an exact match due to the number of variables and material types involved in the process.</p>												
<p><b>Door &amp; panel appearance and size limits:</b></p>			<p><b>Thermofoil Notes</b></p> <ul style="list-style-type: none"> <li>Thermofoil is a rigid vinyl foil that is vacuumed and bladder pressed with a bonding adhesive onto a routed MDF substrate. It is very durable and resistant to scratches, dents, chips and stains.</li> <li>Thermofoil reacts unfavorably to extreme heat, so a minimum of 1-1/2" is recommended between the door and appliances producing temperatures of 160° F or greater. The distance should be at least 3" if placed directly over an appliance (such as a toaster oven.)</li> </ul>									
<p>4" - &lt;7-1/2" W      7-1/2" - 36" W</p> 			<p>8-3/4" - 52" H      <b>Center Rail Added</b> &gt;52" - 73" H</p> 									
<p><b>Drawer front appearance and size limits:</b></p>												
<p><b>SLAB</b></p>	<p><b>Slab</b></p> <p>2-1/2" – 18" H</p> 	<p><b>DFMD</b></p>	<p><b>Slab</b></p> <p>2-1/2" – &lt;5-7/16" H</p> 	<p><b>Raised panel</b></p> <p>5-7/16" – 18" H</p> 								
	<p>Paint and HPL colors are listed as "compatible" to the Thermofoil door color. We cannot guarantee an exact match due to the number of variables and material types involved in the process.</p>											



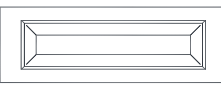
# Thermofoil Doors

<p>Glacier Bay Roman (GBA-R)</p>  	<p><b>PRICE POINT: C4A</b></p>		<p><b>Standard Edge Detail</b></p> 										
	<p><b>Overlay</b></p>	<p>0% Modified</p>											
<p><b>Hinges (per door)</b></p>	<p>\$0 Concealed</p>	<p><b>Prep for Glass</b></p>	<p>RFG, MGD, MGDH, MGDN, MGDQ</p>										
	<p>\$29 Concealed IM</p>		<p>See pgs M-11 – M-12 for details</p>										
<p><b>Drawer Fronts</b></p>	<p>\$0 Slab</p>	<p><b>Available Colors</b></p>											
	<p>\$42 DFMD</p>	<table border="1"> <tr> <td>Doors, drawer fronts, finished end foors (FED) scribe filler plant-ons (SFPO), appliance panel doors (APDR)</td> <td>Cabinet frames, finished ends, finished interiors, mouldings and finished wood accessories</td> <td colspan="2">Compatible HPL Color</td> </tr> <tr> <td><b>White Thermofoil</b></td> <td>Maple White paint</td> <td rowspan="2">No up-charges applied</td> <td>Frosty White 1573</td> </tr> <tr> <td><b>Creme Thermofoil</b></td> <td>Maple Creme paint</td> <td>White Sand D403</td> </tr> </table>		Doors, drawer fronts, finished end foors (FED) scribe filler plant-ons (SFPO), appliance panel doors (APDR)	Cabinet frames, finished ends, finished interiors, mouldings and finished wood accessories	Compatible HPL Color		<b>White Thermofoil</b>	Maple White paint	No up-charges applied	Frosty White 1573	<b>Creme Thermofoil</b>	Maple Creme paint
Doors, drawer fronts, finished end foors (FED) scribe filler plant-ons (SFPO), appliance panel doors (APDR)	Cabinet frames, finished ends, finished interiors, mouldings and finished wood accessories	Compatible HPL Color											
<b>White Thermofoil</b>	Maple White paint	No up-charges applied	Frosty White 1573										
<b>Creme Thermofoil</b>	Maple Creme paint		White Sand D403										
<p>Type   Thermofoil</p> <p>Center Panel   3/4" thick</p> <p>Stile Width   2-1/4"</p> <p>Rail Width   2-1/4"</p>													
<p>Paint and HPL colors are listed as "compatible" to the Thermofoil door color. We cannot guarantee an exact match due to the number of variables and material types involved in the process.</p>													



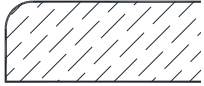






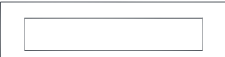
## Door & panel appearance and size limits:

<p>4" - &lt;7-1/2" W</p> 	<p>7-1/2" - &lt;8" W</p> 	<p><b>Arched Top</b> 8" - 36" W</p> 	<p><b>Arched Top</b> 8-3/4" - 52" H</p> 	<p><b>Center Rail Added</b> &gt;52" - 73" H</p> 	<p>Arch is applied to:</p> <ul style="list-style-type: none"> <li>• Wall cabinets</li> <li>• Top door(s) of stacked cabinets</li> <li>• Top door(s) of Tall cabinets</li> </ul> <p>Includes finished end options with doors</p>
--	--	---	---	--	---


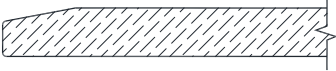
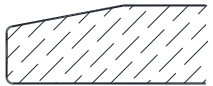



## Drawer front appearance and size limits:

<p><b>SLAB</b></p> <p><b>Slab</b> 2-1/2" - 18" H</p> 	<p><b>DFMD</b></p> <p><b>Slab</b> 2-1/2" - &lt;5-7/16" H</p> 	<p><b>Raised panel</b> 5-7/16" - 18" H</p> 	<p>See Thermofoil notes on Glacier Bay page</p>
--	--	--	---

# Thermofoil Doors




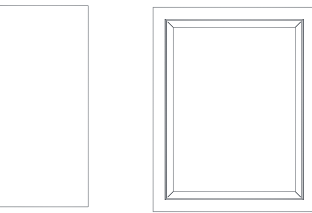
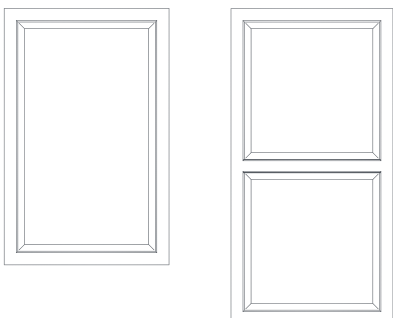


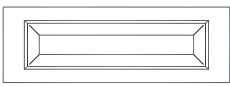
<p>Lancaster (LCS)</p>   <table border="1" data-bbox="175 940 508 1045"> <tr> <td>Center Panel</td> <td>1/2" thick</td> </tr> <tr> <td>Stile Width</td> <td>2-1/4"</td> </tr> <tr> <td>Rail Width</td> <td>2-1/4"</td> </tr> </table>	Center Panel	1/2" thick	Stile Width	2-1/4"	Rail Width	2-1/4"	<p><b>PRICE POINT: C14</b></p> <table border="1"> <tr> <td>Overlay</td> <td>0%</td> <td>Modified</td> </tr> <tr> <td rowspan="2">Hinges (per door)</td> <td>\$0</td> <td>Concealed</td> </tr> <tr> <td>\$29</td> <td>Concealed IM</td> </tr> <tr> <td rowspan="2">Drawer Fronts</td> <td>\$0</td> <td>Slab</td> </tr> <tr> <td>\$42</td> <td>DFMD</td> </tr> </table>		Overlay	0%	Modified	Hinges (per door)	\$0	Concealed	\$29	Concealed IM	Drawer Fronts	\$0	Slab	\$42	DFMD	<p><b>Standard Edge Detail</b></p> 
	Center Panel	1/2" thick																				
Stile Width	2-1/4"																					
Rail Width	2-1/4"																					
Overlay	0%	Modified																				
Hinges (per door)	\$0	Concealed																				
	\$29	Concealed IM																				
Drawer Fronts	\$0	Slab																				
	\$42	DFMD																				
		<p><b>Prep for Glass</b></p> <p>RFG, MGD, MGDH, MGDN, MGDQ</p> <p>See pgs M-11 – M-12 for details</p>																				
<b>Available Colors</b>																						
Doors, drawer fronts, finished end foors (FED) scribe filler plant-ons (SFPO), appliance panel doors (APDR)		Cabinet frames, finished ends, finished interiors, mouldings and finished wood accessories		Compatible HPL Color																		
<b>White Thermofoil</b>		Maple White paint	No up-charges applied	Frosty White	1573																	
<b>Creme Thermofoil</b>		Maple Creme paint		White Sand	D403																	
<p>Paint and HPL colors are listed as "compatible" to the Thermofoil door color. We cannot guarantee an exact match due to the number of variables and material types involved in the process.</p>																						
<b>Door &amp; panel appearance and size limits:</b>			<b>Thermofoil Notes</b>																			
<p>4" - &lt;7-1/2" W      7-1/2" - 36" W</p> 			<p>8-3/4" - 52" H      Center Rail Added &gt;52" - 73" H</p> 																			
<b>Drawer front appearance and size limits:</b>																						
<b>SLAB</b>	<b>Slab</b> 2-1/2" – 18" H		<b>DFMD</b>	<b>Slab</b> 2-1/2" – <5-7/16" H																		
																						
				<b>Recessed panel</b> 5-7/16" – 18" H																		
																						

# Thermofoil Doors



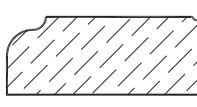
<p>Silhouette (SIL)</p>   <p>Thickness   3/4" thick</p>	<p><b>PRICE POINT: C4</b></p> <table border="1"> <tr> <td>Overlay</td> <td>0%</td> <td>Modified</td> </tr> <tr> <td rowspan="2">Hinges (per door)</td> <td>\$0</td> <td>Concealed</td> </tr> <tr> <td>\$29</td> <td>Concealed IM</td> </tr> <tr> <td>Drawer Fronts</td> <td>\$0</td> <td>Slab</td> </tr> </table>		Overlay	0%	Modified	Hinges (per door)	\$0	Concealed	\$29	Concealed IM	Drawer Fronts	\$0	Slab	<p>Standard Edge Detail</p> 
	Overlay	0%	Modified											
Hinges (per door)	\$0	Concealed												
	\$29	Concealed IM												
Drawer Fronts	\$0	Slab												
<p>Prep for Glass</p> <p>RFG, MGD, MGDH, MGDN, MGDQ</p> <p>See pgs M-11 – M-12 for details</p>														
<p><b>Available Colors</b></p>														
<p>Doors, drawer fronts, finished end foors (FED) scribe filler plant-ons (SFPO), appliance panel doors (APDR)</p>		<p>Cabinet frames, finished ends, finished interiors, mouldings and finished wood accessories</p>		<p>Compatible HPL Color</p>										
<p><b>White Thermofoil</b></p>		<p>Maple White paint</p>	<p>No up-charges applied</p>	<p>Frosty White</p>	<p>1573</p>									
<p><b>Creme Thermofoil</b></p>		<p>Maple Creme paint</p>		<p>White Sand</p>	<p>D403</p>									
<p>Paint and HPL colors are listed as "compatible" to the Thermofoil door color. We cannot guarantee an exact match due to the number of variables and material types involved in the process.</p>														
<p><b>Door &amp; panel appearance and size limits:</b></p>			<p><b>Thermofoil Notes</b></p> <ul style="list-style-type: none"> <li>• Thermofoil is a rigid vinyl foil that is vacuumed and bladder pressed with a bonding adhesive onto a routed MDF substrate. It is very durable and resistant to scratches, dents, chips and stains.</li> <li>• Thermofoil reacts unfavorably to extreme heat, so a minimum of 1-1/2" is recommended between the door and appliances producing temperatures of 160° F or greater. The distance should be at least 3" if placed directly over an appliance (such as a toaster oven.)</li> </ul>											
<p>4" - 36" W</p> 			<p>8-3/4" - 73" H</p> 											
<p><b>Drawer front appearance and size limits:</b></p>														
<p>Slab</p> <p>2-1/2" - 18" H</p> 														
<p>SLAB</p>														


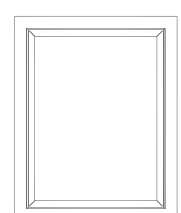
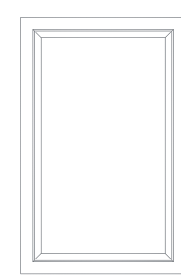
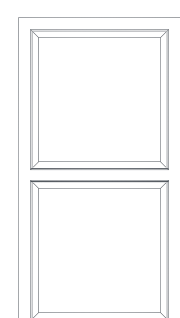


# Thermofoil Doors

<p>Tuscany (TUS)</p>   <table border="1" data-bbox="175 940 506 1045"> <tr> <td>Center Panel</td> <td>3/4" thick</td> </tr> <tr> <td>Stile Width</td> <td>2-1/4"</td> </tr> <tr> <td>Rail Width</td> <td>2-1/4"</td> </tr> </table>	Center Panel	3/4" thick	Stile Width	2-1/4"	Rail Width	2-1/4"	<p><b>PRICE POINT: C4</b></p> <table border="1"> <tr> <td>Overlay</td> <td>0%</td> <td>Modified</td> </tr> <tr> <td rowspan="2">Hinges (per door)</td> <td>\$0</td> <td>Concealed</td> </tr> <tr> <td>\$29</td> <td>Concealed IM</td> </tr> <tr> <td rowspan="2">Drawer Fronts</td> <td>\$0</td> <td>Slab</td> </tr> <tr> <td>\$42</td> <td>DFMD</td> </tr> </table>		Overlay	0%	Modified	Hinges (per door)	\$0	Concealed	\$29	Concealed IM	Drawer Fronts	\$0	Slab	\$42	DFMD	<p><b>Standard Edge Detail</b></p> 
	Center Panel	3/4" thick																				
Stile Width	2-1/4"																					
Rail Width	2-1/4"																					
Overlay	0%	Modified																				
Hinges (per door)	\$0	Concealed																				
	\$29	Concealed IM																				
Drawer Fronts	\$0	Slab																				
	\$42	DFMD																				
		<p><b>Prep for Glass</b></p> <p>RFG, MGD, MGDH, MGDN, MGDQ</p> <p>See pgs M-11 – M-12 for details</p>																				
<b>Available Colors</b>																						
Doors, drawer fronts, finished end foors (FED) scribe filler plant-ons (SFPO), appliance panel doors (APDR)		Cabinet frames, finished ends, finished interiors, mouldings and finished wood accessories																				
		Compatible HPL Color																				
<b>White Thermofoil</b>		Maple White paint	No up-charges applied																			
<b>Creme Thermofoil</b>		Maple Creme paint																				
			Frosty White 1573																			
			White Sand D403																			
<p>Paint and HPL colors are listed as "compatible" to the Thermofoil door color. We cannot guarantee an exact match due to the number of variables and material types involved in the process.</p>																						
<b>Door &amp; panel appearance and size limits:</b>		<b>Thermofoil Notes</b>																				
<p>4" - 8" W      8" - 36" W</p> 		<p>8-3/4" - 52" H      Center Rail Added &gt;52" - 73" H</p> 																				
<b>Drawer front appearance and size limits:</b>																						
<b>SLAB</b>	<p><b>Slab</b> 2-1/2" - 18" H</p> 	<b>DFMD</b>	<p><b>Slab</b> 2-1/2" - &lt;5-7/16" H</p> 																			
			<p><b>Raised panel</b> 5-7/16" - 18" H</p> 																			

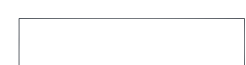
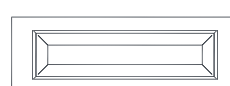
# Thermofoil Doors

<p>Winterset (WNS)</p>   <table border="1" data-bbox="121 924 454 1050"> <tr> <td>Center Panel</td> <td>3/4" thick</td> </tr> <tr> <td>Stile Width</td> <td>2-1/4"</td> </tr> <tr> <td>Rail Width</td> <td>2-1/4"</td> </tr> </table>	Center Panel	3/4" thick	Stile Width	2-1/4"	Rail Width	2-1/4"	<p><b>PRICE POINT: C13</b></p> <table border="1"> <tr> <td>Overlay</td> <td>0%</td> <td>Modified</td> </tr> <tr> <td rowspan="2">Hinges (per door)</td> <td>\$0</td> <td>Concealed</td> </tr> <tr> <td>\$29</td> <td>Concealed IM</td> </tr> <tr> <td rowspan="2">Drawer Fronts</td> <td>\$0</td> <td>Slab</td> </tr> <tr> <td>\$42</td> <td>DFMD</td> </tr> </table>		Overlay	0%	Modified	Hinges (per door)	\$0	Concealed	\$29	Concealed IM	Drawer Fronts	\$0	Slab	\$42	DFMD	<p><b>Standard Edge Detail</b></p> 
	Center Panel	3/4" thick																				
Stile Width	2-1/4"																					
Rail Width	2-1/4"																					
Overlay	0%	Modified																				
Hinges (per door)	\$0	Concealed																				
	\$29	Concealed IM																				
Drawer Fronts	\$0	Slab																				
	\$42	DFMD																				
		<p><b>Prep for Glass</b></p> <p>RFG, MGD, MGDH, MGDN, MGDQ</p> <p>See pgs M-11 – M-12 for details</p>																				
<b>Available Colors</b>																						
Doors, drawer fronts, finished end foors (FED) scribe filler plant-ons (SFPO), appliance panel doors (APDR)		Cabinet frames, finished ends, finished interiors, mouldings and finished wood accessories																				
Compatible HPL Color																						
<b>White Thermofoil</b>	Maple White paint	No up-charges applied	Frosty White 1573																			
<b>Creme Thermofoil</b>	Maple Creme paint		White Sand D403																			
<p>Paint and HPL colors are listed as "compatible" to the Thermofoil door color. We cannot guarantee an exact match due to the number of variables and material types involved in the process.</p>																						



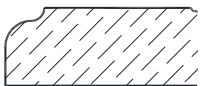
<b>Door &amp; panel appearance and size limits:</b>			
4" - <8" W	8" - 36" W	8-3/4" - 52" H	Center Rail Added >52" - 73" H
			

**Thermofoil Notes**

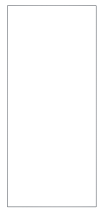
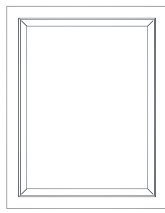
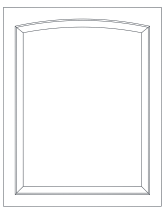
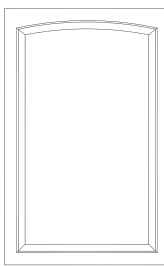
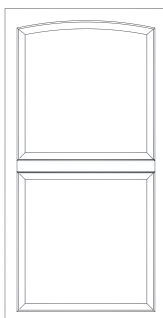
- Thermofoil is a rigid vinyl foil that is vacuumed and bladder pressed with a bonding adhesive onto a routed MDF substrate. It is very durable and resistant to scratches, dents, chips and stains.
- Thermofoil reacts unfavorably to extreme heat, so a minimum of 1-1/2" is recommended between the door and appliances producing temperatures of 160° F or greater. The distance should be at least 3" if placed directly over an appliance (such as a toaster oven.)

<b>Drawer front appearance and size limits:</b>			
<b>SLAB</b>	Slab 2-1/2" – 18" H	<b>DFMD</b>	Slab 2-1/2" – <5-7/16" H
			Raised panel 5-7/16" – 18" H
			



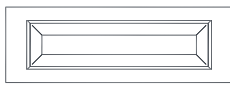
# Thermofoil Doors

<p><b>Winterset Roman (WNS-R)</b></p>   <table border="1" data-bbox="170 934 511 1039"> <tr> <td><b>Center Panel</b></td> <td>3/4" thick</td> </tr> <tr> <td><b>Stile Width</b></td> <td>2-1/4"</td> </tr> <tr> <td><b>Rail Width</b></td> <td>2-1/4"</td> </tr> </table>	<b>Center Panel</b>	3/4" thick	<b>Stile Width</b>	2-1/4"	<b>Rail Width</b>	2-1/4"	<p><b>PRICE POINT: C13A</b></p> <table border="1"> <tr> <td><b>Overlay</b></td> <td>0%</td> <td>Modified</td> </tr> <tr> <td rowspan="2"><b>Hinges (per door)</b></td> <td>\$0</td> <td>Concealed</td> </tr> <tr> <td>\$29</td> <td>Concealed IM</td> </tr> <tr> <td rowspan="2"><b>Drawer Fronts</b></td> <td>\$0</td> <td>Slab</td> </tr> <tr> <td>\$42</td> <td>DFMD</td> </tr> </table>		<b>Overlay</b>	0%	Modified	<b>Hinges (per door)</b>	\$0	Concealed	\$29	Concealed IM	<b>Drawer Fronts</b>	\$0	Slab	\$42	DFMD	<p><b>Standard Edge Detail</b></p> 
	<b>Center Panel</b>	3/4" thick																				
	<b>Stile Width</b>	2-1/4"																				
	<b>Rail Width</b>	2-1/4"																				
	<b>Overlay</b>	0%	Modified																			
<b>Hinges (per door)</b>	\$0	Concealed																				
	\$29	Concealed IM																				
<b>Drawer Fronts</b>	\$0	Slab																				
	\$42	DFMD																				
		<p><b>Prep for Glass</b></p> <p>RFG, MGD, MGDH, MGDN, MGDQ</p> <p>See pgs M-11 – M-12 for details</p>																				
<p><b>Available Colors</b></p> <table border="1"> <tr> <td>Doors, drawer fronts, finished end foors (FED) scribe filler plant-ons (SFPO), appliance panel doors (APDR)</td> <td>Cabinet frames, finished ends, finished interiors, mouldings and finished wood accessories</td> <td colspan="2">Compatible HPL Color</td> </tr> <tr> <td><b>White Thermofoil</b></td> <td>Maple White paint</td> <td rowspan="2">No up-charges applied</td> <td>Frosty White   1573</td> </tr> <tr> <td><b>Creme Thermofoil</b></td> <td>Maple Creme paint</td> <td>White Sand   D403</td> </tr> </table> <p>Paint and HPL colors are listed as "compatible" to the Thermofoil door color. We cannot guarantee an exact match due to the number of variables and material types involved in the process.</p>			Doors, drawer fronts, finished end foors (FED) scribe filler plant-ons (SFPO), appliance panel doors (APDR)	Cabinet frames, finished ends, finished interiors, mouldings and finished wood accessories	Compatible HPL Color		<b>White Thermofoil</b>	Maple White paint	No up-charges applied	Frosty White   1573	<b>Creme Thermofoil</b>	Maple Creme paint	White Sand   D403									
Doors, drawer fronts, finished end foors (FED) scribe filler plant-ons (SFPO), appliance panel doors (APDR)	Cabinet frames, finished ends, finished interiors, mouldings and finished wood accessories	Compatible HPL Color																				
<b>White Thermofoil</b>	Maple White paint	No up-charges applied	Frosty White   1573																			
<b>Creme Thermofoil</b>	Maple Creme paint		White Sand   D403																			


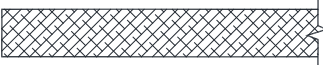






**Door & panel appearance and size limits:**

4" - <8" W	8" - <8-1/2" W	Arched Top 8-1/2" - 36" W	Arched Top 8-3/4" - 52" H	Center Rail Added >52" - 73" H	<p>Arch is applied to:</p> <ul style="list-style-type: none"> <li>• Wall cabinets</li> <li>• Top door(s) of stacked cabinets</li> <li>• Top door(s) of Tall cabinets</li> </ul> <p>Includes finished end options with doors</p>
					

**Drawer front appearance and size limits:**

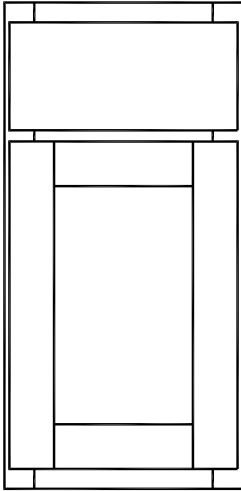
<b>SLAB</b>	Slab 2-1/2" – 18" H	<b>DFMD</b>	Slab 2-1/2" – <5-7/16" H	Raised panel 5-7/16" – 18" H	See Thermofoil notes on Glacier Bay page
					

# Laminate

<p style="text-align: center;"><b>Alpine (ALP)</b></p>   <table border="1" data-bbox="115 894 508 1094"> <tr> <td>Type</td> <td>Slab</td> </tr> <tr> <td>Material</td> <td>LPL or HPL on PBD substrate</td> </tr> <tr> <td>Thickness</td> <td>3/4"</td> </tr> <tr> <td>Edge</td> <td>.5mm PVC edge tape</td> </tr> </table>	Type	Slab	Material	LPL or HPL on PBD substrate	Thickness	3/4"	Edge	.5mm PVC edge tape	<table border="1"> <tr> <th colspan="3">PRICE POINT: C2</th> </tr> <tr> <td>Overlay</td> <td>0%</td> <td>Modified</td> </tr> <tr> <td rowspan="2">Hinges (per door)</td> <td>\$0</td> <td>Concealed</td> </tr> <tr> <td>\$29</td> <td>Concealed IM</td> </tr> <tr> <td>Drawer Fronts</td> <td>\$0</td> <td>Slab</td> </tr> <tr> <td colspan="3">Doors, drawer fronts, finished end foors (FED) scribe filler plant-ons (SFPO), appliance panel doors (APDR)</td> </tr> <tr> <td rowspan="2">LPL Colors</td> <td>0%</td> <td>White</td> <td rowspan="2"><i>See LPL Notes Below</i></td> </tr> <tr> <td>0%</td> <td>Almond</td> </tr> <tr> <td rowspan="10">Wilsonart HPL Colors</td> <td colspan="2">Antique White</td> <td>1572</td> </tr> <tr> <td colspan="2">Black</td> <td>1595-60</td> </tr> <tr> <td colspan="2">Designer White</td> <td>D354-60</td> </tr> <tr> <td colspan="2">Dove Grey</td> <td>D92-60</td> </tr> <tr> <td colspan="2">Fashion Grey</td> <td>D381-60</td> </tr> <tr> <td colspan="2">+20% Frosty White</td> <td>1573</td> </tr> <tr> <td colspan="2">Khaki Brown</td> <td>D50-60</td> </tr> <tr> <td colspan="2">Natural Almond</td> <td>D30-60</td> </tr> <tr> <td colspan="2">White</td> <td>1570-60</td> </tr> <tr> <td colspan="2">White Sand</td> <td>D403-60</td> </tr> <tr> <td colspan="4"><i>See HPL Notes Below</i></td> </tr> </table>	PRICE POINT: C2			Overlay	0%	Modified	Hinges (per door)	\$0	Concealed	\$29	Concealed IM	Drawer Fronts	\$0	Slab	Doors, drawer fronts, finished end foors (FED) scribe filler plant-ons (SFPO), appliance panel doors (APDR)			LPL Colors	0%	White	<i>See LPL Notes Below</i>	0%	Almond	Wilsonart HPL Colors	Antique White		1572	Black		1595-60	Designer White		D354-60	Dove Grey		D92-60	Fashion Grey		D381-60	+20% Frosty White		1573	Khaki Brown		D50-60	Natural Almond		D30-60	White		1570-60	White Sand		D403-60	<i>See HPL Notes Below</i>				<table border="1"> <tr> <td>Edge Detail</td> <td></td> </tr> <tr> <td>Prep for Glass</td> <td>Not Available</td> </tr> <tr> <td colspan="2">Specify wood species and stain for cabinet frames, finished ends, finished interiors, mouldings and finished wood accessories</td> </tr> <tr> <td rowspan="5">Wood Species</td> <td>0%</td> <td>Red Oak</td> </tr> <tr> <td>0%</td> <td>Beech</td> </tr> <tr> <td>5%</td> <td>Hickory</td> </tr> <tr> <td>6%</td> <td>Alder</td> </tr> <tr> <td>10%</td> <td>Maple</td> </tr> <tr> <td></td> <td>20%</td> <td>Cherry</td> </tr> </table>	Edge Detail		Prep for Glass	Not Available	Specify wood species and stain for cabinet frames, finished ends, finished interiors, mouldings and finished wood accessories		Wood Species	0%	Red Oak	0%	Beech	5%	Hickory	6%	Alder	10%	Maple		20%	Cherry
Type	Slab																																																																																							
Material	LPL or HPL on PBD substrate																																																																																							
Thickness	3/4"																																																																																							
Edge	.5mm PVC edge tape																																																																																							
PRICE POINT: C2																																																																																								
Overlay	0%	Modified																																																																																						
Hinges (per door)	\$0	Concealed																																																																																						
	\$29	Concealed IM																																																																																						
Drawer Fronts	\$0	Slab																																																																																						
Doors, drawer fronts, finished end foors (FED) scribe filler plant-ons (SFPO), appliance panel doors (APDR)																																																																																								
LPL Colors	0%	White	<i>See LPL Notes Below</i>																																																																																					
	0%	Almond																																																																																						
Wilsonart HPL Colors	Antique White		1572																																																																																					
	Black		1595-60																																																																																					
	Designer White		D354-60																																																																																					
	Dove Grey		D92-60																																																																																					
	Fashion Grey		D381-60																																																																																					
	+20% Frosty White		1573																																																																																					
	Khaki Brown		D50-60																																																																																					
	Natural Almond		D30-60																																																																																					
	White		1570-60																																																																																					
	White Sand		D403-60																																																																																					
<i>See HPL Notes Below</i>																																																																																								
Edge Detail																																																																																								
Prep for Glass	Not Available																																																																																							
Specify wood species and stain for cabinet frames, finished ends, finished interiors, mouldings and finished wood accessories																																																																																								
Wood Species	0%	Red Oak																																																																																						
	0%	Beech																																																																																						
	5%	Hickory																																																																																						
	6%	Alder																																																																																						
	10%	Maple																																																																																						
	20%	Cherry																																																																																						
<p><b>Door &amp; panel appearance and size limits:</b></p> <div style="display: flex; justify-content: space-around; align-items: center;"> <div style="text-align: center;"> <p>4" - 36" W</p>  </div> <div style="text-align: center;"> <p>8-3/4" - 73" H</p>  </div> </div> <hr/> <p><b>Drawer front appearance and size limits:</b></p> <div style="display: flex; align-items: center;"> <div style="writing-mode: vertical-rl; transform: rotate(180deg); font-weight: bold; margin-right: 5px;">SLAB</div> <div style="text-align: center;"> <p>Slab</p> <p>2-1/2" - 18" H</p>  </div> </div>	<p><b>LPL (Low-Pressure Laminate) Door Faces</b></p> <ul style="list-style-type: none"> <li>• “Low-pressure laminate” is used to describe a broad range of products in the industry. We use a melamine product that is thermally fused to the substrate.</li> <li>• Compatible HPL colors are Wilsonart #1573 Frosty White and Wilsonart #D30 Natural Almond</li> </ul> <p><b>HPL (High-Pressure Laminate) Door Faces</b></p> <ul style="list-style-type: none"> <li>• HPL will be applied to both sides of doors and drawer fronts. Edges will be finished with a pre-selected compatible PVC edge tape.</li> <li>• Manufacturing lead-time is typically four weeks but may vary depending on vendor availability of sheet-stock and edge tape</li> <li>• While we make every attempt to keep this list current, we cannot guarantee availability due to discontinuation or reclassification by the manufacturer or our suppliers</li> <li>• <b>For availability and pricing on a brand, pattern or color of HPL not listed above please use the Special Product Request (SPR) program</b></li> </ul>																																																																																							

# Sample Door and Drawer Fronts

FFDRS shown



ITEM	DESCRIPTION	MSRP
DFOS	Drawer Front only	\$46
DOS	Door Only: no pin hinge prep	\$97
DOS-PH (L/R)	Door Only: pin hinge & prep (specify side)	\$132
FFDRS	Face Frame/Door/Drawer Front	\$178
DOS-RACK	Aluminum door sample rack	\$594
PINHG10	Pkg of 10 pin hinges for DOS	\$85

- Up-charges for any species, finish enhancements or distressing will not be applied to MSRP
- DOS-PH\_ is prepped for & includes a pin hinge (used with door sample racks)
- DOS-RACK: predrilled and holds 39 DOS-PH (mounting screws not included)

## Sample descriptions and sizes:

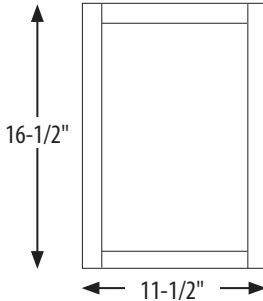
**DFOS: Drawer Front Only**  
Specify Slab or DFMD



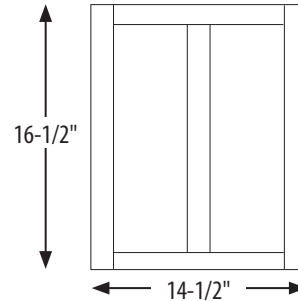
**DOS-RACK**

2 1/8" thick L-shaped rails:  
2" x 2" x 60"

**DOS: Door only**  
Square & Arched styles



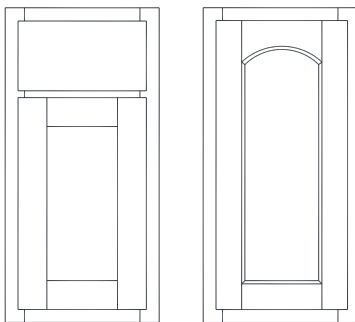
**DOS: Door only**  
Shaker Center



**FFDRS: Face Frame, Door and Drawer Front** | Face frame size: 12" W x 24-1/2" H

- Specify Slab or DFMD
- Select hinge option (will be hinged left)

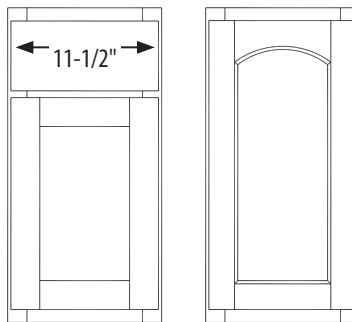
**Traditional Overlay**



Door & DF: 10" W  
Door: 16-1/2" H  
DF: 5-7/16" H

Door:  
10" W  
22-1/2" H

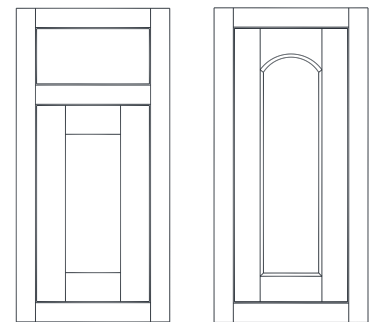
**Modified Overlay**



Door & DF: 11-1/2" W  
Door: 16-1/2" H  
DF: 5-7/16" H

Door:  
11-1/2" W  
22-1/2" H

**Inset & Beaded Inset**



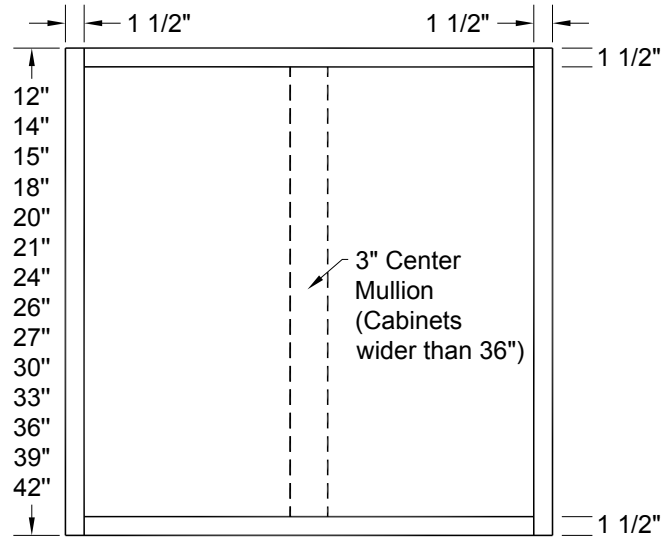
Door & DF: 8-13/16" W  
Door: 15-5/16" H  
DF: 4-5/16" H

Door:  
8-13/16" W  
22-5/16" H

>> This page intentionally blank <<

# Wall Cabinets

## Typical Wall Configuration



**Note:**

- Cabinets wider than 36" have a 3" wide center mullion that is compatible with door color
- Height of cabinet determines quantity of adjustable shelves

## Standard door sizes

Door Widths			
Cabinet Width	Traditional Overlay	Modified Overlay	Inset
9"	7"	8-1/2"	N/A
12"	10"	11-1/2"	8-13/16"
15"	13"	14-1/2"	11-13/16"
18"	16"	17-1/2"	14-13/16"
21"	19"	20-1/2"	17-13/16"
24"	22"	23-1/2"	20-13/16"
24" DD	(2) 10-15/16"	(2) 11-11/16"	(2) 10-11/32"
27"	(2) 12-7/16"	(2) 13-3/16"	(2) 11-27/32"
30"	(2) 13-15/16"	(2) 14-11/16"	(2) 13-11/32"
33"	(2) 15-7/16"	(2) 16-3/16"	(2) 14-27/32"
36"	(2) 16-15/16"	(2) 17-11/16"	(2) 16-11/32"
39"	(2) 17-1/2"	(2) 19"	(2) 16-5/16"
42"	(2) 19"	(2) 20-1/2"	(2) 17-13/16"
45"	(2) 20-1/2"	(2) 22"	(2) 19-5/16"
48"	(2) 22"	(2) 23-1/2"	(2) 20-13/16"

Door Heights		
Cabinet Height	Traditional & Modified Overlay	Inset
12"	10"	8-13/16"
14"	12"	10-13/16"
15"	13"	11-13/16"
18"	16"	14-13/16"
20"	18"	16-13/16"
21"	19"	17-13/16"
24"	22"	20-13/16"
26"	24"	22-13/16"
27"	25"	23-13/16"
30"	28"	26-13/16"
33"	31"	29-13/16"
36"	34"	32-13/16"
39"	37"	35-13/16"
42"	40"	38-13/16"

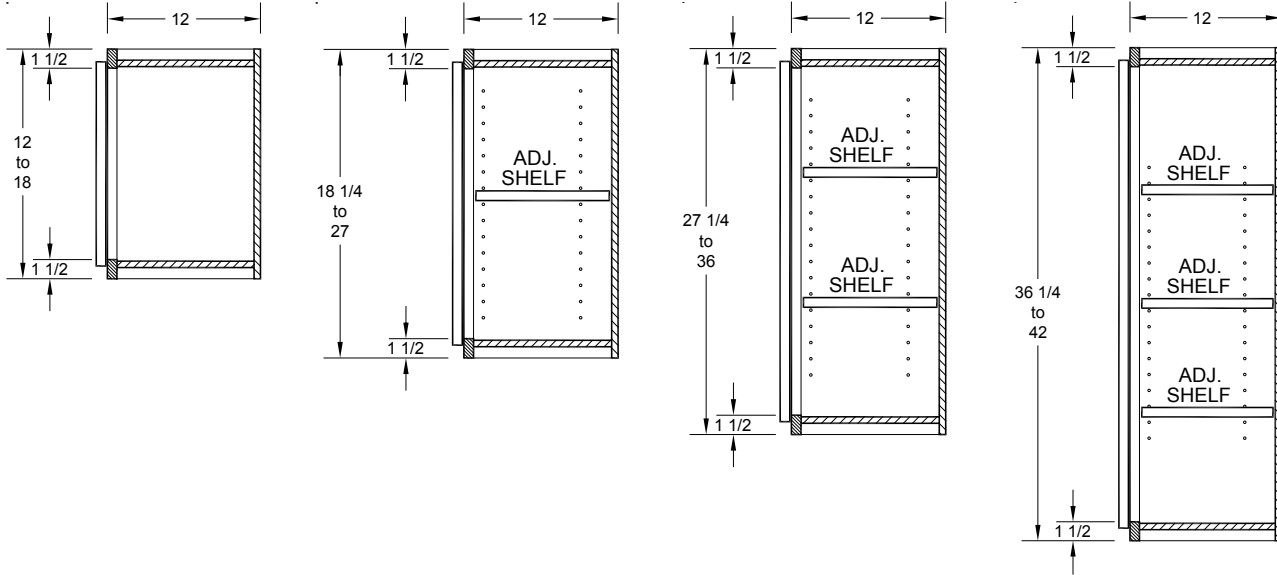
Non-Standard Door & Drawer Front Size Formulas			
Number of Doors & Fronts	Traditional Width	Modified Width	Inset Width
9" - 24" = 1 door, 9" - 36" = 1 drawer	Opening + 1"	Opening + 2-1/2"	Opening - 3/16"
24" DD - 36" = 2 doors, "butt" type	(Opening ÷ 2) + 7/16"	(Opening ÷ 2) + 1-3/16"	(Opening - 5/16") ÷ 2
>36" - 48" = 2 doors, fixed center mullion	Opening + 1"	Opening + 2-1/2"	Opening - 3/16"
	Traditional & Modified Height		Inset Height
Doors	Opening + 1"		Opening - 3/16"
Drawer Fronts	Opening + 15/16"		Opening - 3/16"

# Wall Cabinets

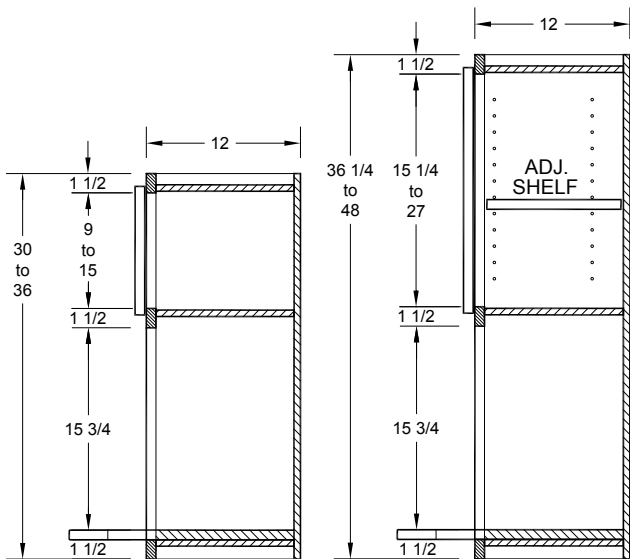
## Wall Cross Sections

Find door & drawer front heights, widths and reveals on pg W-1

### Walls (W\_)

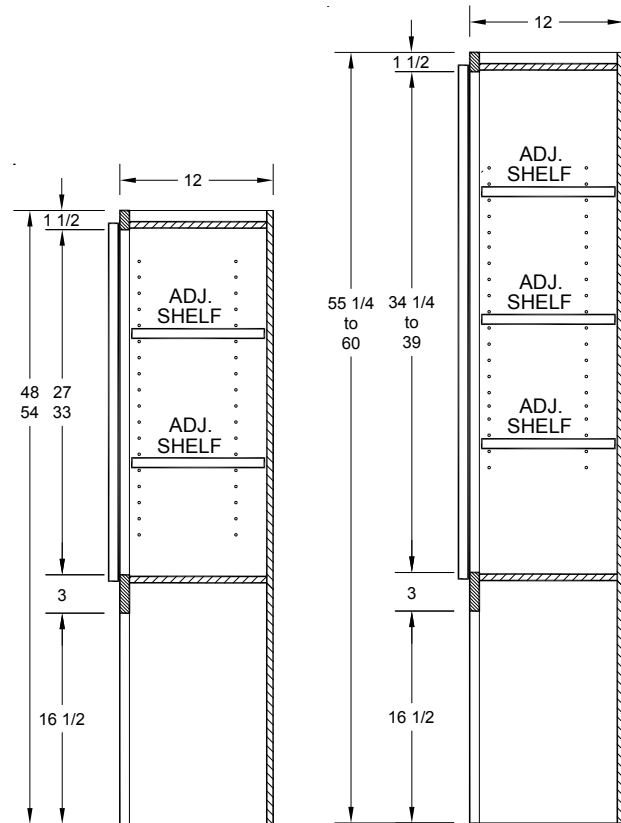


### Microwave Shelf Cabinet (MSC)



### Wall Appliance Garage (WAG)

### Wall Corner Angle Appliance Garage (WCAAG)



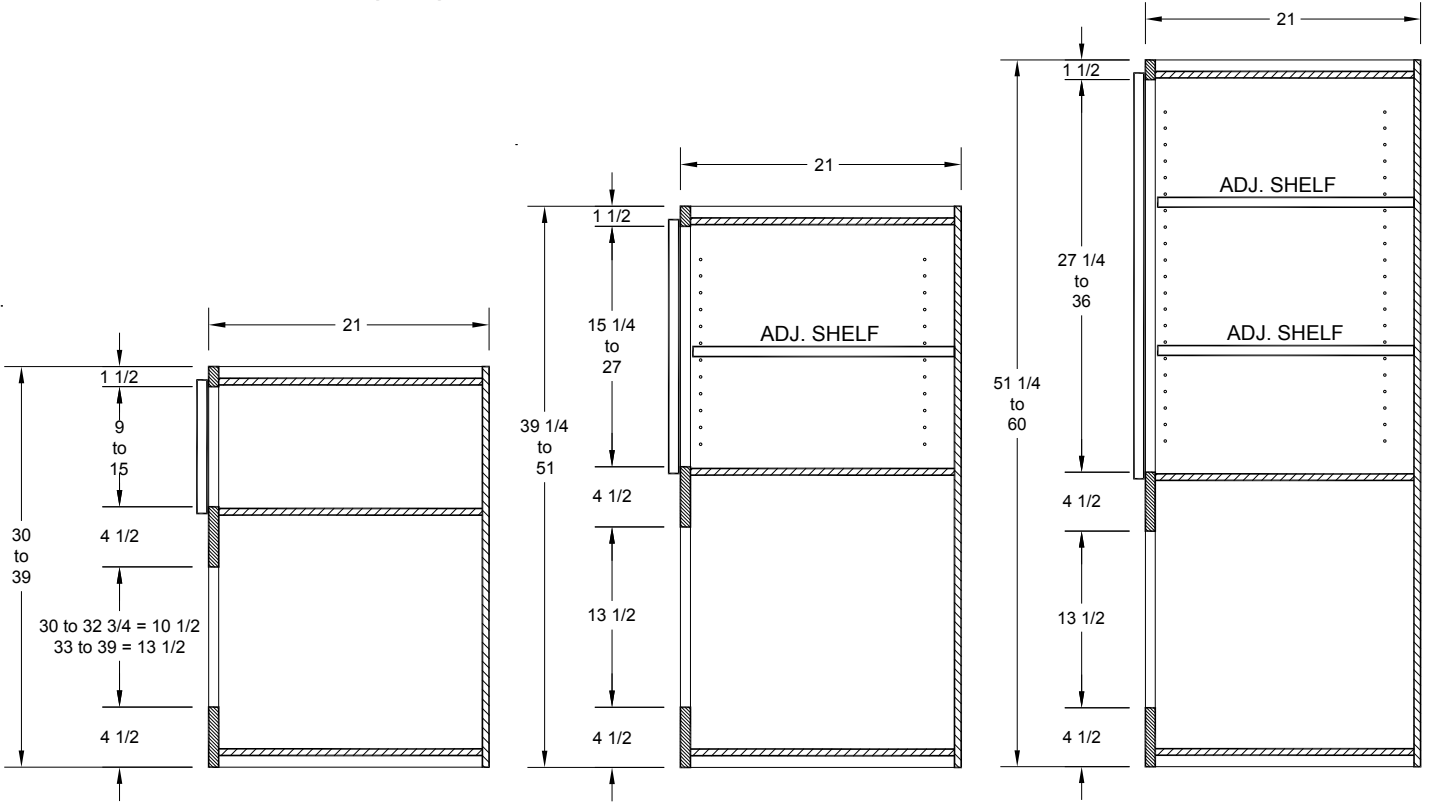


# Wall Cabinets

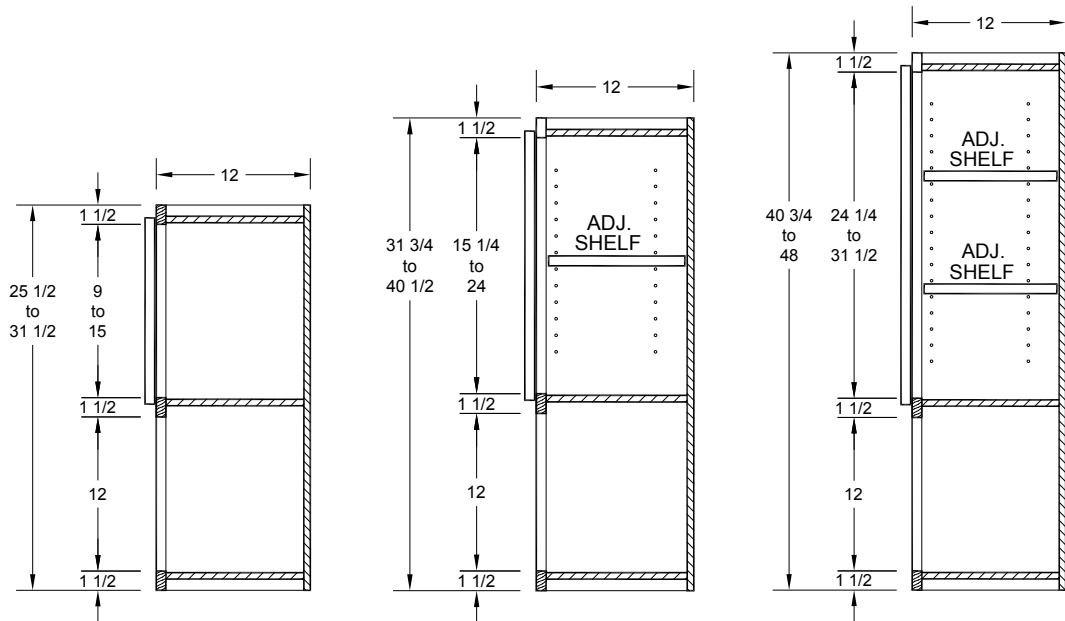
## Wall Cross Sections

Find door & drawer front heights, widths and reveals on pg W-1

### Microwave Universal Cabinets (MUC)



### Wall Display (WD)



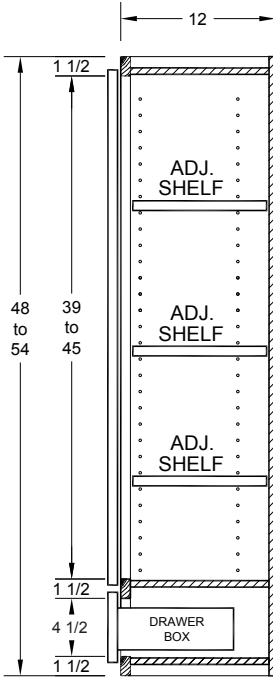
# Wall Cabinets

## Wall Cross Sections

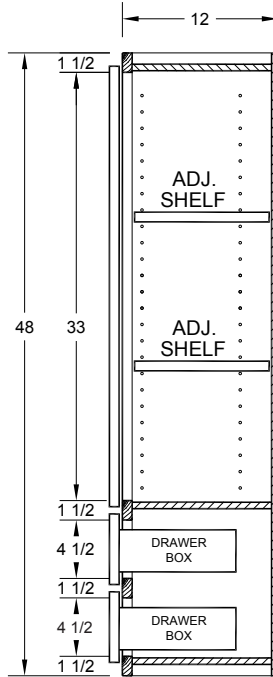
Find door & drawer front heights, widths and reveals on pg W-1

### Wall with drawers (W\_D)

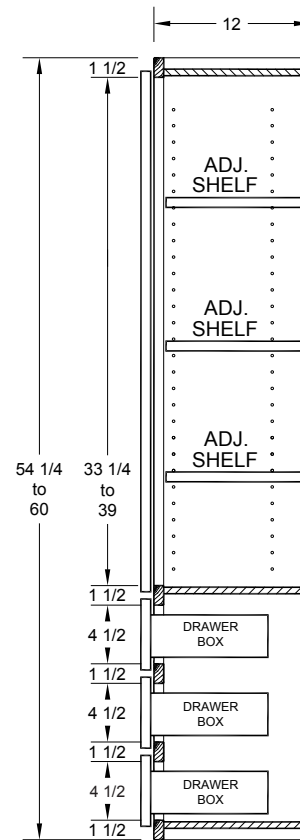
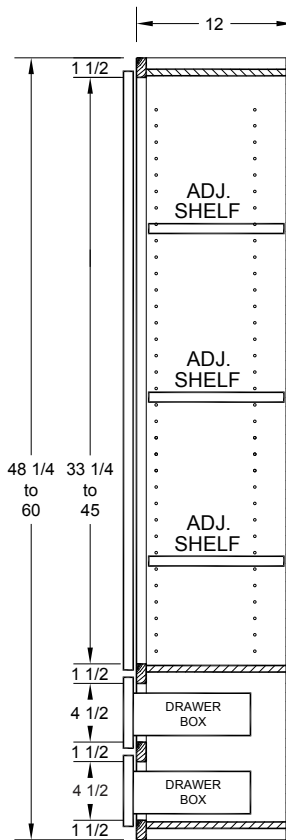
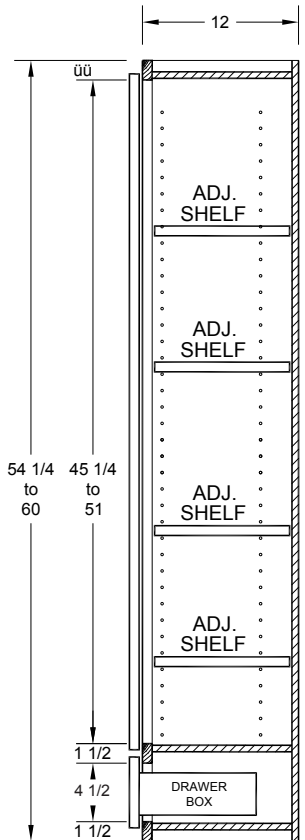
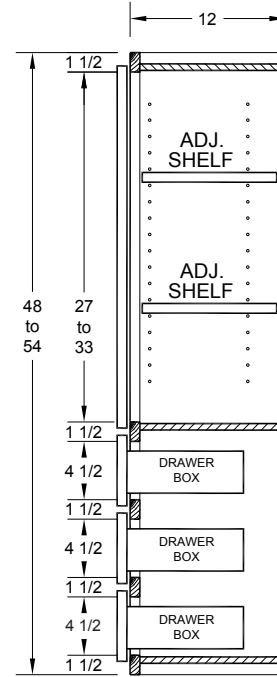
Wall 1-Drawer (W1D)



Wall 2-Drawer (W2D)



Wall 3-Drawer (W3D)

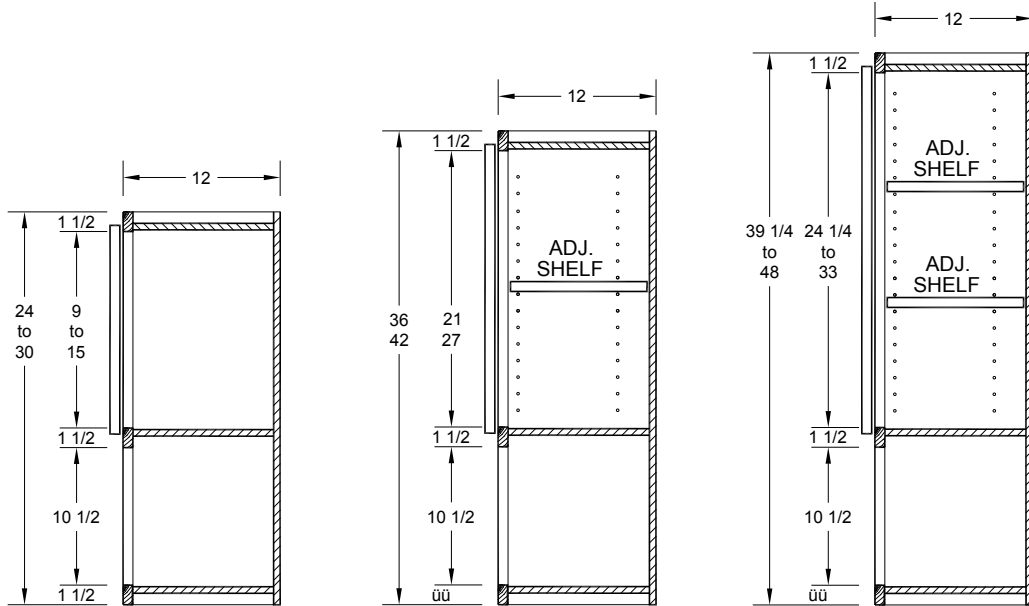


# Wall Cabinets

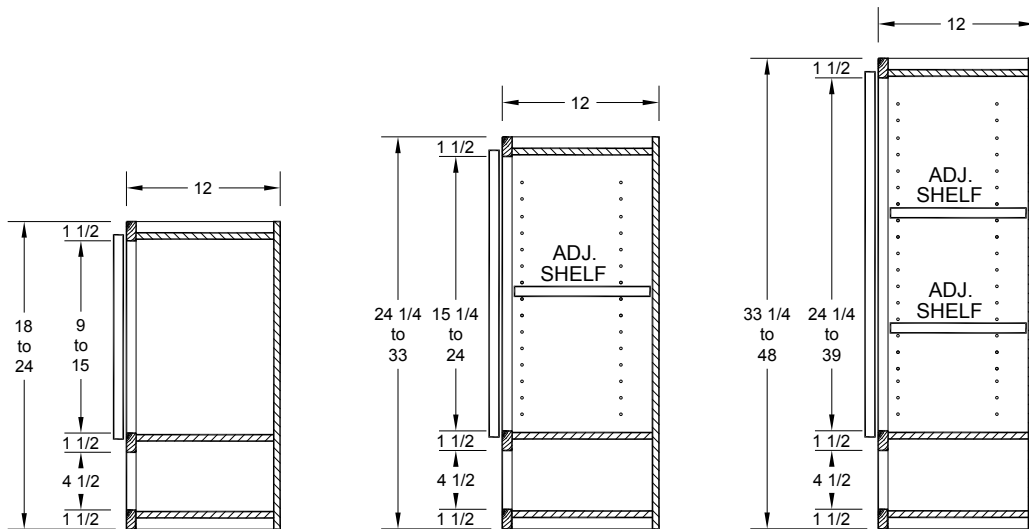
## Wall Cross Sections

Find door & drawer front heights, widths and reveals on pg W-1

### Wall Letter Organizers (WLO-12)



### Wall Letter Organizers (WLO-6)



# Wall Cabinets

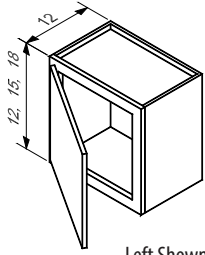
\* L or R required

## WALL – 12", 14", 15" & 18" H

• No adjustable shelves

### MODIFICATION LIMITS

Width 6" – 24" (Inset: 12" min.)  
 Height 12" – 18"  
 Depth 6" – 24"



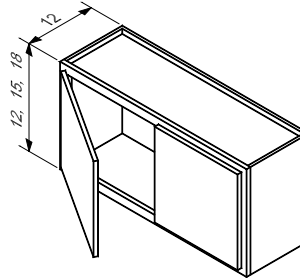
Left Shown

### W1DR

12" H	15" H	18" H
W1212*	W1215*	W1218*
W1512*	W1515*	W1518*
W1812*	W1815*	W1818*
W2112*	W2115*	W2118*
W2412*	W2415*	W2418*

### MODIFICATION LIMITS

Width 18" – 36" (Inset: 21" min.)  
 Height 12" – 18"  
 Depth 6" – 30"



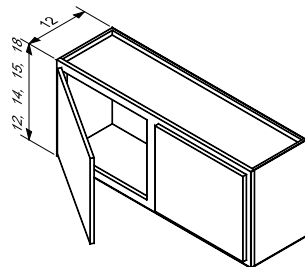
### W2DR

12" H	15" H	18" H
W2412DD	W2415DD	W2418DD
W2712	W2715	W2718
W3012	W3015	W3018
W3312	W3315	W3318
W3612	W3615	W3618

Hood Block (HB) modification needed for mounting ventilation units see pg M-8

### MODIFICATION LIMITS

Width 36-1/4" – 48"  
 Height 12" – 18"  
 Depth 6" – 30"



### W2DR

12" H	14" H	15" H	18" H
W3912	W3714	W3915	W3918
W4212		W4215	W4218
W4512		W4515	W4518
W4812		W4815	W4818

# Wall Cabinets

\* L or R required

	C0	C1	C2	C4	C4A	C5	C7	C7A	C9	C9A	C10	C10A	C11	C12	C12A	C13	C13A	C14	C15	C16
<b>WALL – 12" H</b>																				
W1212*	204	229	236	293	341	383	243	293	282	327	297	324	298	319	348	332	363	360	395	455
W1512*	209	234	244	305	360	409	249	312	293	344	317	341	315	339	388	354	405	383	446	514
W1812*	214	239	253	322	388	444	258	327	309	371	343	368	341	368	429	383	448	416	499	575
W2112*	219	244	265	344	412	478	266	349	331	395	368	393	363	395	458	412	478	448	533	614
W2412*	224	251	270	377	444	514	280	368	361	426	388	424	392	424	490	443	512	480	572	660
W2412DD	226	268	304	414	482	565	305	380	397	461	410	460	431	465	533	485	556	527	614	711
W2712	239	290	339	443	524	605	341	412	424	502	431	492	456	497	568	519	594	565	655	758
W3012	248	302	353	461	544	633	356	429	441	521	444	516	480	519	595	543	622	590	683	792
W3312	258	314	366	480	566	665	371	448	460	541	463	541	504	544	622	570	651	619	719	833
W3612	268	326	382	499	587	694	387	466	477	561	485	566	527	568	650	594	680	646	751	870
W3912	293	351	409	533	624	743	416	499	509	597	521	605	566	607	694	634	726	690	804	933
W4212	305	365	426	555	651	782	434	521	531	622	550	639	599	639	731	668	765	728	848	984
W4512	315	378	444	578	680	823	455	544	553	650	580	673	629	672	767	702	802	765	890	1033
W4812	326	393	461	604	706	862	475	568	577	675	609	707	661	704	804	736	841	802	934	1085
<b>WALL – 14" H</b>																				
W3714	304	366	427	553	646	790	443	527	529	619	566	651	612	646	739	677	775	736	856	994
<b>WALL – 15" H</b>																				
W1215*	207	234	253	297	353	395	258	305	285	338	305	331	314	327	377	341	393	370	427	492
W1515*	217	248	271	324	383	438	276	329	310	366	332	365	346	361	416	377	434	409	473	544
W1815*	227	263	290	351	416	478	297	353	336	397	361	399	377	395	453	412	473	446	517	597
W2115*	237	276	307	378	446	521	315	375	361	426	388	432	407	427	492	446	514	485	563	651
W2415*	248	290	326	404	477	561	336	399	387	456	416	466	439	461	529	482	555	524	609	704
W2415DD	258	304	344	431	507	604	354	422	412	485	443	500	470	495	568	517	594	563	653	756
W2715	268	317	363	458	538	644	373	446	439	514	470	534	502	529	605	553	634	600	699	809
W3015	278	332	380	485	570	687	393	468	465	544	499	568	533	561	644	587	673	639	743	862
W3315	288	346	399	512	600	728	412	492	490	573	526	600	565	595	682	622	714	678	789	914
W3615	298	360	417	539	631	770	432	516	516	604	553	634	595	629	721	658	755	716	834	967
W3915	309	373	436	566	661	811	451	539	541	633	580	668	628	663	758	694	794	755	879	1021
W4215	319	388	455	592	694	853	470	563	566	661	609	702	658	697	797	729	834	794	924	1074
W4515	329	402	471	619	724	895	490	585	592	692	636	736	690	729	836	763	873	831	968	1126
W4815	339	416	490	646	755	936	509	609	617	721	663	770	721	763	873	799	914	870	1014	1179
<b>WALL – 18" H</b>																				
W1218*	209	237	268	300	361	405	271	315	288	346	314	338	329	336	405	349	424	378	460	529
W1518*	214	244	276	324	383	444	280	327	310	368	329	365	351	368	429	383	448	416	485	560
W1818*	219	251	285	349	407	487	288	338	336	390	348	397	382	402	456	419	477	455	526	607
W2118*	224	259	295	377	436	529	300	353	361	417	377	432	414	436	494	455	516	494	572	660
W2418*	234	273	312	400	463	570	321	377	383	443	407	466	446	468	531	488	555	531	616	712
W2418DD	246	304	360	475	561	665	366	443	455	538	460	539	505	544	624	570	653	619	719	833
W2718	256	319	377	500	589	704	385	466	478	563	490	573	536	577	661	604	692	656	762	882
W3018	268	332	395	522	616	745	405	488	500	589	521	607	568	609	699	638	731	694	806	934
W3318	278	348	412	546	644	784	426	512	522	616	550	641	600	641	734	670	768	729	850	985
W3618	288	361	429	570	670	824	446	536	544	641	578	675	633	673	772	704	807	767	892	1035
W3918	319	395	466	616	721	890	483	580	589	689	629	729	685	726	831	760	870	828	963	1119
W4218	331	409	483	639	748	929	502	602	611	714	658	763	717	758	868	794	909	865	1007	1170
W4518	341	422	502	661	775	970	522	626	633	741	689	797	748	790	904	828	946	902	1050	1219
W4818	351	438	519	687	802	1009	543	650	656	767	717	831	780	823	941	862	985	938	1094	1272

# Wall Cabinets

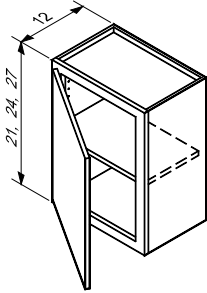
\* L or R required

**WALL – 20", 21", 24", 26", & 27" H**

• One adjustable shelf

## MODIFICATION LIMITS

Width 6" – 24" (Inset: 12" min.)  
 Height 18-1/4" – 27"  
 Depth 6" – 24"

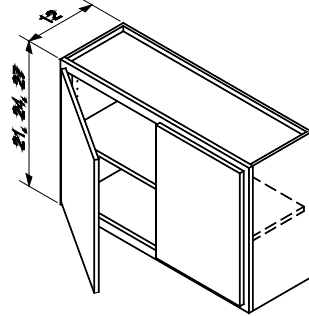


### W1DR

21" H	24" H	27" H
W0921*	W0924*	W0927*
W1221*	W1224*	W1227*
W1521*	W1524*	W1527*
W1821*	W1824*	W1827*
W2121*	W2124*	W2127*
W2421*	W2424*	W2427*

## MODIFICATION LIMITS

Width 18" – 36" (Inset: 21" min.)  
 Height 18-1/4" – 27"  
 Depth 6" – 30"



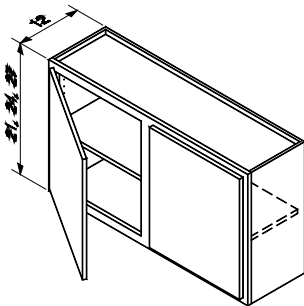
### W2DR

21" H	24" H	27" H
W2421DD	W2424DD	W2427DD
W2721	W2724	W2727
W3021	W3024	W3027
W3321	W3324	W3327
W3621	W3624	W3627

Hood Block (HB) modification needed for mounting ventilation units see pg M-8

## MODIFICATION LIMITS

Width 36-1/4" – 48"  
 Height 18-1/4" – 27"  
 Depth 6" – 30"



### W2DR

20" H	21" H	24" H	26" H	27" H
W3720	W3921	W3924	W3726	W3927
	W4221	W4224		W4227
	W4521	W4524		W4527
	W4821	W4824		W4827

# Wall Cabinets

\* L or R required

	C0	C1	C2	C4	C4A	C5	C7	C7A	C9	C9A	C10	C10A	C11	C12	C12A	C13	C13A	C14	C15	C16
<b>WALL – 20" H</b>																				
W3720	307	392	470	629	739	931	495	592	600	706	656	762	719	758	870	794	911	865	1007	1170
<b>WALL – 21" H</b>																				
W0921*	161	185	207	249	293	343	210	244	239	282	253	283	273	283	329	295	344	319	378	436
W1221*	215	246	276	332	390	456	280	326	319	375	338	377	363	377	439	393	458	426	504	580
W1521*	224	258	293	361	422	505	298	349	346	405	363	410	399	417	478	434	500	471	548	633
W1821*	234	271	310	392	455	556	317	371	377	431	395	451	438	458	519	478	543	519	600	695
W2121*	243	285	321	424	495	611	334	399	407	475	432	502	473	502	573	524	599	570	661	765
W2421DD	266	319	380	505	592	731	395	473	483	565	516	599	563	599	685	626	717	680	792	919
W2421	254	304	360	478	560	690	375	448	458	534	487	566	534	566	648	592	677	643	748	867
W2721	278	334	399	531	622	772	416	499	509	595	543	631	594	631	722	660	756	717	836	970
W3021	290	366	438	585	687	851	456	548	560	656	597	695	655	695	797	728	834	792	923	1072
W3321	302	383	460	614	721	901	480	577	587	689	634	738	694	736	843	770	882	838	977	1133
W3621	314	400	480	643	755	951	505	605	614	721	670	778	734	775	889	811	931	884	1029	1196
W3921	351	441	526	699	817	1033	551	660	668	780	733	848	801	841	963	880	1009	960	1119	1301
W4221	375	471	563	748	877	1109	590	707	716	836	785	909	858	902	1033	945	1084	1029	1202	1398
W4521	397	502	599	799	936	1184	629	753	763	892	838	970	916	963	1104	1007	1157	1101	1284	1494
W4821	421	531	636	848	996	1260	667	801	811	948	890	1033	974	1024	1174	1072	1231	1170	1367	1589
<b>WALL – 24" H</b>																				
W0924*	210	237	261	334	382	451	261	305	321	366	312	356	349	373	419	390	438	422	485	560
W1224*	220	253	283	365	419	507	287	336	349	402	361	416	395	417	471	436	492	473	546	631
W1524*	234	271	309	399	461	565	315	370	382	441	397	455	444	465	527	485	551	527	611	706
W1824*	248	292	334	434	500	624	344	405	416	478	443	505	492	512	582	536	609	582	675	782
W2124*	261	310	358	468	539	683	373	439	448	516	487	556	539	560	636	585	665	636	739	856
W2424*	275	329	383	502	580	745	402	473	480	555	531	607	587	609	692	638	724	694	806	934
W2424DD	287	360	431	577	678	840	448	538	551	648	583	680	644	685	787	717	824	780	909	1055
W2724	298	380	456	612	719	901	477	572	585	687	629	731	692	734	841	768	880	838	975	1133
W3024	312	399	480	646	758	960	505	607	617	724	673	782	739	782	895	819	938	892	1040	1208
W3324	326	419	505	680	797	1018	534	641	650	762	717	833	787	829	951	868	997	946	1102	1282
W3624	339	438	531	714	836	1077	563	675	682	799	762	882	834	877	1006	918	1053	1001	1167	1357
W3924	383	487	585	782	912	1175	619	739	746	872	836	967	914	957	1096	1002	1148	1092	1275	1484
W4224	397	507	611	816	951	1236	648	773	778	909	880	1016	962	1006	1152	1053	1208	1150	1342	1562
W4524	419	534	643	872	1016	1304	683	816	833	970	933	1077	1031	1060	1231	1111	1291	1211	1414	1647
W4824	424	544	660	884	1031	1355	706	841	845	984	970	1118	1057	1101	1260	1153	1321	1258	1469	1710
<b>WALL – 26" H</b>																				
W3726	360	465	566	762	892	1158	600	721	728	851	821	948	899	941	1080	987	1131	1075	1255	1460
<b>WALL – 27" H</b>																				
W0927*	220	248	275	351	404	478	275	321	336	387	329	377	371	395	444	412	465	446	516	595
W1227*	234	273	300	387	446	543	305	356	371	427	383	441	424	446	505	466	527	507	585	677
W1527*	249	298	329	426	492	609	338	395	407	470	427	488	478	500	566	522	592	568	658	762
W1827*	263	315	356	465	536	675	370	434	444	512	478	546	533	553	628	578	656	629	731	846
W2127*	278	332	383	504	580	741	402	471	482	555	527	602	585	607	689	634	721	690	802	931
W2427*	293	353	412	541	624	809	434	510	517	597	577	660	638	661	751	692	787	753	875	1016
W2427DD	305	383	460	616	722	906	478	575	589	690	629	733	697	738	846	773	885	841	980	1138
W2727	319	405	487	655	768	972	510	612	626	734	680	789	750	792	907	829	950	904	1053	1225
W3027	334	427	514	692	812	1038	543	651	661	775	729	846	802	845	968	885	1014	965	1124	1308
W3327	348	449	543	731	856	1104	577	690	699	817	780	902	856	899	1031	941	1080	1026	1197	1392
W3627	363	470	572	770	901	1170	607	728	734	860	829	958	909	951	1092	997	1143	1087	1269	1476
W3927	412	524	631	845	984	1275	670	801	806	940	912	1053	997	1036	1192	1085	1250	1184	1384	1611
W4227	427	546	660	882	1029	1348	702	838	843	982	962	1109	1052	1096	1255	1148	1316	1253	1464	1704
W4527	446	572	690	931	1085	1416	738	880	890	1036	1016	1170	1116	1150	1328	1206	1392	1314	1537	1789
W4827	458	589	716	960	1118	1482	767	914	916	1067	1062	1223	1158	1202	1377	1260	1443	1375	1606	1871

# Wall Cabinets

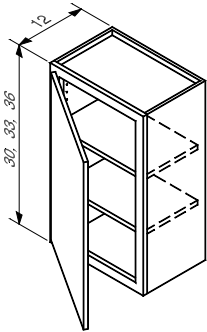
\* L or R required

**WALL – 30", 33" & 36" H**

• Two adjustable shelves

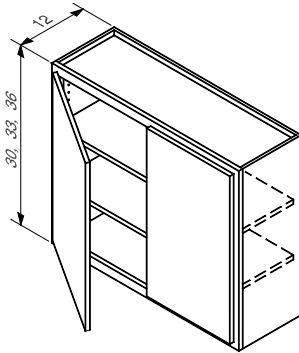
### MODIFICATION LIMITS

Width 6" – 24" (Inset: 12" min.)  
 Height 27-1/4" – 36"  
 Depth 6" – 24"



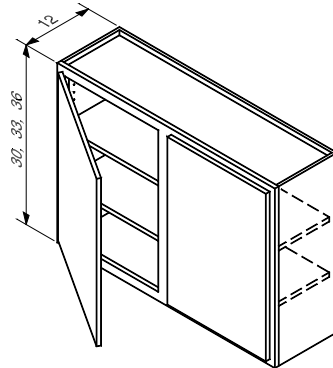
### MODIFICATION LIMITS

Width 18" – 36" (Inset: 21" min.)  
 Height 27-1/4" – 36"  
 Depth 6" – 24"



### MODIFICATION LIMITS

Width 36-1/4" – 48"  
 Height 27-1/4" – 36"  
 Depth 6" – 24"



#### W1DR

30" H	33" H	36" H
W0930*	W0933*	W0936*
W1230*	W1233*	W1236*
W1530*	W1533*	W1536*
W1830*	W1833*	W1836*
W2130*	W2133*	W2136*
W2430*	W2433*	W2436*

#### W2DR

30" H	33" H	36" H
W2430DD	W2433DD	W2436DD
W2730	W2733	W2736
W3030	W3033	W3036
W3330	W3333	W3336
W3630	W3633	W3636

#### W2DR

30" H	33" H	36" H
W3930	W3933	W3936
W4230	W4233	W4236
W4530	W4533	W4536
W4830	W4833	W4836



# Wall Cabinets

\* L or R required

	C0	C1	C2	C4	C4A	C5	C7	C7A	C9	C9A	C10	C10A	C11	C12	C12A	C13	C13A	C14	C15	C16
<b>WALL 30" H</b>																				
W0930*	231	258	287	366	424	504	287	336	351	405	346	397	393	416	470	434	490	470	544	629
W1230*	246	292	317	409	471	578	322	377	392	451	405	466	453	475	538	497	561	539	624	722
W1530*	263	326	348	451	521	651	358	421	432	499	458	522	512	534	605	558	633	607	706	817
W1830*	278	339	378	495	572	726	393	461	473	546	512	585	572	594	673	621	704	675	785	911
W2130*	293	353	409	538	619	799	429	504	514	592	566	648	629	653	741	683	775	743	865	1004
W2430*	310	377	439	580	667	873	465	546	555	638	622	711	689	712	811	746	848	812	945	1097
W2430DD	322	407	487	655	767	970	509	611	626	733	675	784	748	790	904	828	946	902	1050	1219
W2730	338	431	517	697	817	1043	544	653	667	780	731	846	807	850	974	890	1019	970	1131	1314
W3030	354	455	548	738	865	1114	580	695	706	826	785	909	865	907	1041	950	1091	1036	1209	1406
W3330	370	478	580	782	914	1191	617	738	746	873	841	972	924	968	1109	1014	1162	1106	1291	1501
W3630	387	502	611	824	963	1262	651	780	787	919	895	1035	984	1026	1177	1075	1233	1172	1369	1593
W3930	441	561	677	906	1055	1374	721	860	865	1007	987	1138	1080	1116	1289	1169	1352	1275	1491	1737
W4230	458	585	707	948	1106	1460	756	902	906	1055	1043	1201	1140	1186	1357	1243	1423	1357	1584	1845
W4530	473	609	738	990	1153	1528	792	945	946	1101	1099	1264	1199	1240	1425	1299	1494	1418	1657	1930
W4830	490	633	770	1035	1202	1608	828	987	987	1148	1153	1328	1258	1304	1492	1367	1565	1492	1743	2032
<b>WALL 33" H</b>																				
W0933*	237	266	295	380	438	522	295	346	363	419	360	410	409	431	487	449	509	487	565	653
W1233*	253	295	327	424	488	600	332	390	405	466	419	480	471	494	558	516	583	560	650	751
W1533*	271	326	360	468	539	678	371	436	448	517	477	543	534	556	631	582	660	633	734	850
W1833*	287	344	392	514	592	756	409	478	490	566	534	609	597	619	702	648	734	704	819	950
W2133*	302	365	424	558	643	833	444	522	533	614	592	675	658	680	773	712	809	775	902	1046
W2433*	319	388	456	602	694	911	483	568	575	663	650	741	719	743	846	778	885	848	987	1146
W2433DD	331	419	502	677	794	1007	527	633	646	758	702	816	778	821	940	860	984	938	1092	1269
W2733	348	444	534	722	845	1085	565	677	690	807	762	882	841	884	1013	926	1062	1009	1177	1369
W3033	363	468	566	765	895	1162	602	721	731	855	819	948	902	945	1084	990	1136	1080	1260	1465
W3333	380	494	599	811	946	1241	639	765	773	904	877	1014	965	1009	1157	1057	1211	1152	1345	1565
W3633	397	517	631	855	999	1318	677	809	816	953	934	1080	1028	1070	1228	1121	1286	1223	1428	1662
W3933	453	580	700	941	1096	1440	750	894	899	1046	1031	1189	1130	1170	1345	1226	1411	1338	1564	1822
W4233	470	605	733	985	1148	1525	787	938	941	1096	1091	1255	1192	1238	1418	1297	1486	1416	1654	1927
W4533	487	629	765	1029	1199	1599	824	982	984	1145	1150	1321	1255	1297	1489	1360	1562	1486	1735	2022
W4833	504	655	799	1075	1250	1681	862	1028	1026	1194	1208	1389	1318	1364	1560	1428	1637	1560	1823	2125
<b>WALL 36" H</b>																				
W0936*	244	273	304	392	449	539	304	356	375	431	371	424	424	444	504	465	526	504	583	675
W1236*	259	298	338	438	504	622	343	402	419	482	432	494	488	510	578	534	605	580	673	780
W1536*	278	324	371	483	558	704	383	449	463	534	494	563	555	577	655	604	685	656	762	882
W1836*	293	349	404	531	612	787	422	495	507	585	555	633	621	643	731	673	765	733	851	987
W2136*	310	375	438	577	665	867	460	541	551	636	616	702	685	707	806	739	843	806	938	1089
W2436*	327	400	471	622	719	948	500	589	595	687	677	772	750	773	880	809	923	882	1028	1194
W2436DD	339	431	517	697	819	1045	544	653	667	782	729	846	809	851	975	892	1021	972	1133	1318
W2736	356	456	551	746	872	1128	583	699	712	833	790	916	873	918	1052	962	1102	1048	1223	1423
W3036	371	482	585	792	926	1208	622	746	756	884	851	985	940	982	1126	1029	1180	1123	1309	1523
W3336	388	507	617	838	979	1291	661	792	801	934	912	1055	1004	1048	1202	1097	1260	1197	1399	1628
W3636	405	533	651	884	1033	1372	700	838	845	985	974	1124	1070	1114	1277	1167	1338	1274	1487	1732
W3936	465	599	724	975	1136	1506	777	926	931	1084	1075	1238	1179	1223	1401	1282	1469	1399	1635	1905
W4236	482	624	758	1021	1191	1589	817	974	975	1136	1138	1309	1245	1289	1477	1352	1548	1476	1723	2008
W4536	499	650	792	1068	1245	1671	856	1019	1019	1187	1199	1379	1309	1355	1554	1421	1628	1552	1813	2113
W4836	516	675	826	1116	1297	1754	895	1067	1065	1238	1260	1448	1375	1421	1628	1489	1708	1626	1903	2218

# Wall Cabinets

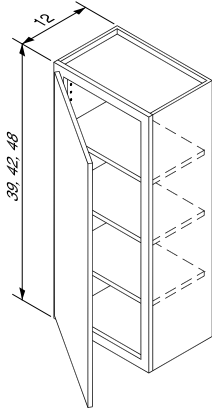
\* L or R required

## WALL – 39", 42" & 48" H

• Three adjustable shelves

### MODIFICATION LIMITS

Width 6" – 24" (Inset: 12" min.)  
 Height 36-1/4" – 48"  
 Depth 6" – 24"

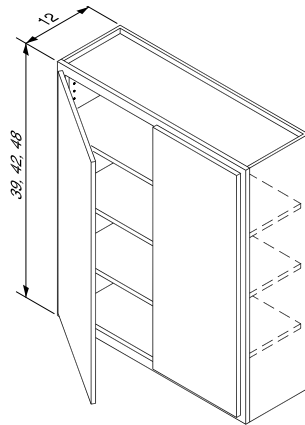


### W1DR

39" H	42" H	48" H
W0939*	W0942*	W0948*
W1239*	W1242*	W1248*
W1539*	W1542*	W1548*
W1839*	W1842*	W1848*
W2139*	W2142*	W2148*
W2439*	W2442*	W2448*

### MODIFICATION LIMITS

Width 18" – 36" (Inset: 21" min.)  
 Height 36-1/4" – 48"  
 Depth 6" – 24"

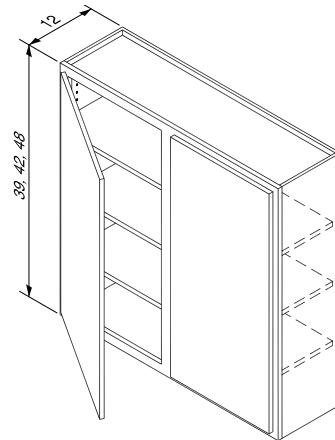


### W2DR

39" H	42" H	48" H
W2439DD	W2442DD	W2448DD
W2739	W2742	W2748
W3039	W3042	W3048
W3339	W3342	W3348
W3639	W3642	W3648

### MODIFICATION LIMITS

Width 36-1/4" – 48"  
 Height 36-1/4" – 48"  
 Depth 6" – 24"



### W2DR

39" H	42" H	48" H
W3939	W3942	W3948
W4239	W4242	W4248
W4539	W4542	W4548
W4839	W4842	W4848

# Wall Cabinets

\* L or R required

	C0	C1	C2	C4	C4A	C5	C7	C7A	C9	C9A	C10	C10A	C11	C12	C12A	C13	C13A	C14	C15	C16
<b>WALL – 39" H</b>																				
W0939*	254	285	317	409	470	568	317	371	392	449	390	444	446	466	529	488	553	529	614	711
W1239*	271	312	353	460	529	658	360	422	439	505	456	521	517	539	611	563	639	612	711	824
W1539*	293	343	392	516	594	753	405	475	494	568	526	599	594	616	700	644	733	702	814	945
W1839*	310	370	427	566	653	843	448	526	541	624	592	675	665	689	782	721	819	784	912	1060
W2139*	329	397	465	616	711	929	488	575	589	678	658	750	736	758	863	794	904	865	1007	1170
W2439*	346	424	500	667	770	1018	533	626	638	734	724	826	806	829	945	868	990	946	1104	1282
W2439DD	361	458	550	746	875	1123	578	694	714	834	778	902	870	914	1046	957	1096	1043	1218	1416
W2739	378	485	585	799	933	1211	621	743	763	890	845	977	941	985	1128	1033	1182	1126	1313	1528
W3039	397	512	622	850	990	1299	663	794	811	946	912	1053	1013	1057	1211	1107	1269	1208	1409	1640
W3339	414	539	658	899	1050	1389	706	845	858	1002	979	1128	1084	1128	1292	1180	1355	1289	1506	1754
W3639	432	568	694	948	1107	1477	748	894	906	1057	1045	1204	1155	1199	1374	1257	1440	1372	1603	1866
W3939	497	639	773	1048	1219	1623	831	990	1001	1163	1155	1328	1272	1318	1509	1381	1582	1508	1762	2054
W4239	510	663	806	1087	1265	1699	870	1036	1038	1208	1218	1399	1333	1377	1579	1445	1655	1577	1844	2149
W4539	534	695	846	1148	1336	1801	918	1091	1096	1275	1289	1481	1414	1460	1674	1531	1754	1672	1955	2279
W4839	551	722	884	1201	1396	1891	960	1141	1145	1331	1355	1555	1486	1533	1755	1606	1840	1755	2052	2393
<b>WALL – 42" H</b>																				
W0942*	265	295	329	426	488	595	331	387	407	468	407	465	468	488	555	510	580	555	643	745
W1242*	283	326	368	480	553	692	377	441	460	529	480	546	544	566	643	592	673	644	748	867
W1542*	307	360	412	546	629	801	427	500	522	602	556	634	633	655	745	685	780	746	867	1006
W1842*	327	390	451	602	692	899	473	555	575	661	628	716	709	733	833	767	872	834	974	1131
W2142*	346	419	490	655	755	992	517	609	626	721	699	797	785	809	921	846	965	923	1075	1250
W2442*	365	448	529	711	819	1087	563	663	678	782	770	879	862	885	1009	928	1057	1011	1179	1370
W2442DD	382	483	580	795	929	1199	612	733	760	887	828	957	931	975	1116	1021	1169	1114	1301	1513
W2742	400	514	619	851	994	1294	658	787	812	948	899	1038	1009	1052	1204	1102	1262	1202	1403	1633
W3042	421	543	658	906	1055	1391	704	841	865	1007	972	1119	1085	1130	1294	1184	1357	1292	1508	1755
W3342	439	572	697	960	1119	1486	750	895	916	1068	1043	1201	1162	1206	1382	1264	1448	1379	1611	1877
W3642	458	602	736	1013	1182	1582	795	950	967	1128	1114	1282	1238	1284	1470	1345	1542	1469	1716	2000
W3942	529	680	823	1119	1303	1740	885	1053	1068	1243	1233	1418	1365	1411	1616	1479	1694	1615	1889	2201
W4242	539	700	853	1152	1340	1808	923	1099	1099	1279	1297	1489	1420	1465	1679	1537	1760	1677	1962	2288
W4542	568	739	901	1228	1428	1932	977	1162	1172	1362	1377	1581	1520	1565	1793	1642	1879	1793	2096	2444
W4842	587	768	940	1284	1492	2028	1023	1216	1225	1423	1448	1662	1596	1643	1881	1723	1972	1883	2201	2568
<b>WALL – 48" H</b>																				
W0948*	303	337	376	487	558	680	378	442	465	535	465	531	535	558	634	583	663	634	735	851
W1248*	323	373	421	549	632	791	431	504	526	605	549	624	622	647	735	677	769	736	855	991
W1548*	351	411	471	624	719	915	488	571	597	688	635	725	723	749	851	783	891	853	991	1150
W1848*	374	446	515	688	791	1027	541	634	657	755	718	818	810	838	952	877	997	953	1113	1293
W2148*	395	479	560	749	863	1134	591	696	715	824	799	911	897	925	1053	967	1103	1055	1229	1429
W2448*	417	512	605	813	936	1242	643	758	775	894	880	1005	985	1011	1153	1061	1208	1155	1347	1566
W2448DD	437	552	663	909	1062	1370	699	838	869	1014	946	1094	1064	1114	1275	1167	1336	1273	1487	1729
W2748	457	587	707	973	1136	1479	752	899	928	1083	1027	1186	1153	1202	1376	1259	1442	1374	1603	1866
W3048	481	621	752	1035	1206	1590	805	961	989	1151	1111	1279	1240	1291	1479	1353	1551	1477	1723	2006
W3348	502	654	797	1097	1279	1698	857	1023	1047	1221	1192	1373	1328	1378	1579	1445	1655	1576	1841	2145
W3648	523	688	841	1158	1351	1808	909	1086	1105	1289	1273	1465	1415	1467	1680	1537	1762	1679	1961	2286
W3948	605	777	941	1279	1489	1989	1011	1203	1221	1421	1409	1621	1560	1613	1847	1690	1936	1846	2159	2515
W4248	616	800	975	1317	1531	2066	1055	1256	1256	1462	1482	1702	1623	1674	1919	1757	2011	1917	2242	2615
W4548	649	845	1030	1403	1632	2208	1117	1328	1339	1557	1574	1807	1737	1789	2049	1877	2147	2049	2395	2793
W4848	671	878	1074	1467	1705	2318	1169	1390	1400	1626	1655	1899	1824	1878	2150	1969	2254	2152	2515	2935

# Wall Cabinets

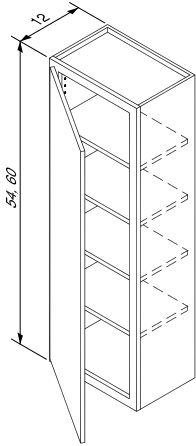
\* L or R required

## WALL – 54" & 60" H

- Four adjustable shelves

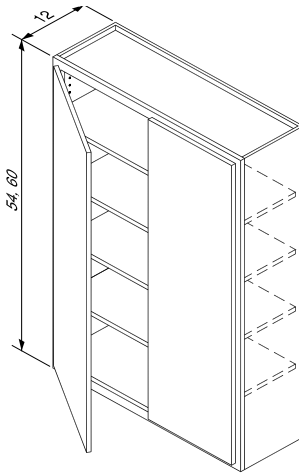
### MODIFICATION LIMITS

Width 6" – 24" (Inset: 12" min.)  
 Height 48-1/4" – 60"  
 Depth 6" – 24"



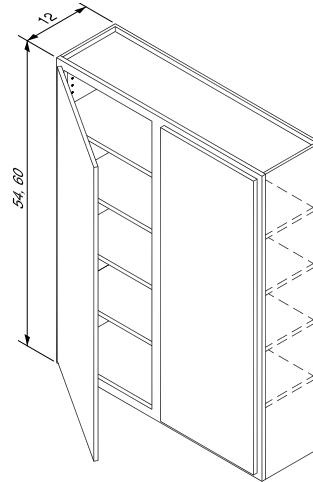
### MODIFICATION LIMITS

Width 18" – 36" (Inset: 21" min.)  
 Height 48-1/4" – 60"  
 Depth 6" – 24"



### MODIFICATION LIMITS

Width 36-1/4" – 48"  
 Height 48-1/4" – 60"  
 Depth 6" – 24"



#### W1DR

54" H	60" H
W0954*	W0960*
W1254*	W1260*
W1554*	W1560*
W1854*	W1860*
W2154*	W2160*
W2454*	W2460*

#### W2DR

54" H	60" H
W2454DD	W2460DD
W2754	W2760
W3054	W3060
W3354	W3360
W3654	W3660

#### W2DR

54" H	60" H
W3954	W3960
W4254	W4260
W4554	W4560
W4854	W4860

# Wall Cabinets

\* L or R required

	C0	C1	C2	C4	C4A	C5	C7	C7A	C9	C9A	C10	C10A	C11	C12	C12A	C13	C13A	C14	C15	C16
<b>WALL – 54" H</b>																				
<b>W0954*</b>	341	379	423	548	627	765	426	498	523	602	523	598	602	627	714	656	746	714	827	958
<b>W1254*</b>	364	419	473	617	711	890	485	567	591	680	617	702	699	728	827	761	865	828	962	1115
<b>W1554*</b>	395	463	530	702	809	1030	549	643	671	774	715	815	814	842	958	881	1003	959	1115	1293
<b>W1854*</b>	420	501	580	774	890	1156	608	714	739	850	807	921	912	942	1071	986	1121	1072	1252	1454
<b>W2154*</b>	445	539	630	842	971	1275	665	783	805	927	899	1025	1009	1040	1184	1088	1241	1187	1382	1607
<b>W2454*</b>	469	576	680	914	1053	1398	724	852	872	1005	990	1130	1108	1138	1297	1193	1359	1300	1516	1761
<b>W2454DD</b>	491	621	746	1022	1194	1542	787	942	977	1140	1065	1230	1197	1254	1435	1313	1503	1432	1673	1945
<b>W2754</b>	514	661	796	1094	1278	1664	846	1012	1044	1219	1156	1335	1297	1353	1548	1417	1623	1545	1804	2100
<b>W3054</b>	541	698	846	1165	1356	1788	905	1081	1112	1295	1250	1439	1395	1453	1664	1522	1745	1661	1939	2256
<b>W3354</b>	564	735	896	1234	1439	1911	964	1151	1178	1373	1341	1544	1494	1551	1777	1625	1862	1773	2071	2413
<b>W3654</b>	589	774	946	1302	1520	2034	1022	1221	1243	1450	1432	1648	1592	1651	1890	1729	1983	1889	2206	2571
<b>W3954</b>	680	874	1058	1439	1675	2237	1138	1354	1373	1598	1585	1823	1755	1814	2078	1902	2178	2076	2429	2830
<b>W4254</b>	693	900	1097	1481	1723	2325	1187	1413	1413	1644	1668	1914	1826	1884	2159	1976	2263	2156	2523	2942
<b>W4554</b>	730	950	1158	1579	1836	2484	1256	1494	1507	1751	1770	2033	1954	2012	2305	2111	2416	2305	2695	3142
<b>W4854</b>	755	987	1209	1651	1918	2607	1315	1563	1575	1830	1862	2137	2052	2112	2418	2215	2535	2421	2830	3302
<b>WALL – 60" H</b>																				
<b>W0960*</b>	379	421	470	609	697	850	473	553	581	669	581	664	669	697	793	729	829	793	919	1064
<b>W1260*</b>	404	466	526	686	790	989	539	630	657	756	686	780	777	809	919	846	961	920	1069	1239
<b>W1560*</b>	439	514	589	780	899	1144	610	714	746	860	794	906	904	936	1064	979	1114	1066	1239	1437
<b>W1860*</b>	467	557	644	860	989	1284	676	793	821	944	897	1023	1013	1047	1190	1096	1246	1191	1391	1616
<b>W2160*</b>	494	599	700	936	1079	1417	739	870	894	1030	999	1139	1121	1156	1316	1209	1379	1319	1536	1786
<b>W2460*</b>	521	640	756	1016	1170	1553	804	947	969	1117	1100	1256	1231	1264	1441	1326	1510	1444	1684	1957
<b>W2460DD</b>	546	690	829	1136	1327	1713	874	1047	1086	1267	1183	1367	1330	1393	1594	1459	1670	1591	1859	2161
<b>W2760</b>	571	734	884	1216	1420	1849	940	1124	1160	1354	1284	1483	1441	1503	1720	1574	1803	1717	2004	2333
<b>W3060</b>	601	776	940	1294	1507	1987	1006	1201	1236	1439	1389	1599	1550	1614	1849	1691	1939	1846	2154	2507
<b>W3360</b>	627	817	996	1371	1599	2123	1071	1279	1309	1526	1490	1716	1660	1723	1974	1806	2069	1970	2301	2681
<b>W3660</b>	654	860	1051	1447	1689	2260	1136	1357	1381	1611	1591	1831	1769	1834	2100	1921	2203	2099	2451	2857
<b>W3960</b>	756	971	1176	1599	1861	2486	1264	1504	1526	1776	1761	2026	1950	2016	2309	2113	2420	2307	2699	3144
<b>W4260</b>	770	1000	1219	1646	1914	2583	1319	1570	1570	1827	1853	2127	2029	2093	2399	2196	2514	2396	2803	3269
<b>W4560</b>	811	1056	1287	1754	2040	2760	1396	1660	1674	1946	1967	2259	2171	2236	2561	2346	2684	2561	2994	3491
<b>W4860</b>	839	1097	1343	1834	2131	2897	1461	1737	1750	2033	2069	2374	2280	2347	2687	2461	2817	2690	3144	3669

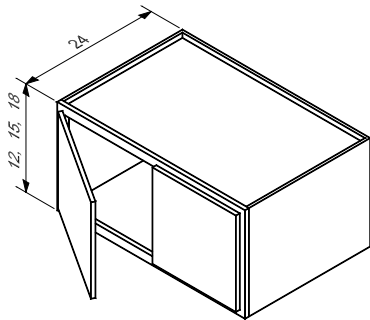
# Wall Cabinets

24" DEEP WALL – 12", 14", 15" & 18" H

• No adjustable shelves

## MODIFICATION LIMITS

Width 18" – 36" (Inset: 21" min.)  
 Height 12" – 18"  
 Depth No Depth Mods

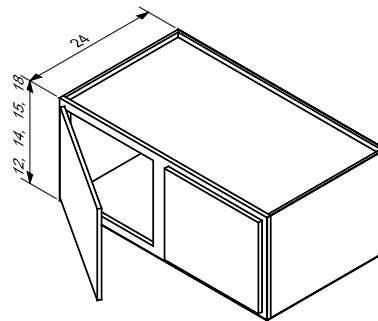


W2DRX24

12" H	15" H	18" H
W3012X24	W3015X24	W3018X24
W3312X24	W3315X24	W3318X24
W3612X24	W3615X24	W3618X24

## MODIFICATION LIMITS

Width 36-1/4" – 48"  
 Height 12" – 18"  
 Depth No Depth Mods



W2DRX24

12" H	14" H	15" H	18" H
W3912X24	W3714X24	W3915X24	W3918X24
W4212X24		W4215X24	W4218X24
W4512X24		W4515X24	W4518X24
W4812X24		W4815X24	W4818X24

# Wall Cabinets

	C0	C1	C2	C4	C4A	C5	C7	C7A	C9	C9A	C10	C10A	C11	C12	C12A	C13	C13A	C14	C15	C16	
<b>24" DEEP WALL – 12" H</b>																					
W3012X24	310	366	424	550	648	768	426	516	526	619	536	626	587	628	719	656	753	714	831	963	
W3312X24	319	375	432	558	656	778	434	524	534	628	544	634	595	636	728	665	762	724	841	975	
W3612X24	334	393	451	583	685	816	456	550	558	655	575	670	626	667	765	697	801	760	882	1023	
W3912X24	366	427	488	628	734	879	494	590	600	702	621	721	677	717	821	751	860	817	951	1104	
W4212X24	390	456	522	672	787	943	527	633	643	753	665	773	726	768	880	806	923	877	1021	1186	
W4512X24	416	485	556	717	840	1006	561	673	685	802	709	824	773	821	940	860	985	936	1091	1267	
W4812X24	439	516	590	762	892	1070	597	716	728	853	753	875	821	872	999	914	1046	996	1160	1348	
<b>24" DEEP WALL – 14" H</b>																					
W3714X24	368	427	487	624	728	870	492	587	597	695	616	712	668	709	811	743	848	809	941	1092	
<b>24" DEEP WALL – 15" H</b>																					
W3015X24	327	383	441	568	665	789	443	533	543	636	553	643	604	644	736	675	770	734	853	990	
W3315X24	336	392	449	577	675	799	451	541	551	644	561	651	612	653	745	683	780	743	865	1004	
W3615X24	351	410	468	602	702	838	473	566	575	672	592	687	643	683	782	716	819	778	906	1052	
W3915X24	383	444	505	646	753	901	510	607	617	719	638	738	694	734	838	768	877	838	975	1133	
W4215X24	409	475	541	692	807	967	546	650	661	770	683	790	743	787	899	824	941	899	1046	1216	
W4515X24	434	505	575	738	862	1031	582	694	706	823	728	845	794	840	960	879	1004	960	1118	1299	
W4815X24	461	536	611	784	916	1097	617	736	748	873	773	897	843	892	1019	934	1068	1019	1189	1384	
<b>24" DEEP WALL – 18" H</b>																					
W3018X24	344	409	473	614	719	868	482	577	587	687	611	709	667	709	811	741	848	807	941	1092	
W3318X24	353	417	482	622	728	879	490	585	595	695	619	717	675	717	819	751	858	817	951	1104	
W3618X24	368	436	504	651	760	923	514	612	622	726	655	756	712	753	860	789	901	858	1001	1162	
W3918X24	405	475	546	700	817	997	556	661	670	780	709	817	770	812	926	851	970	928	1080	1255	
W4218X24	432	507	585	751	877	1070	595	709	717	836	760	877	826	872	994	912	1041	996	1160	1348	
W4518X24	460	541	622	801	936	1143	634	756	765	892	811	936	880	929	1062	975	1113	1063	1240	1440	
W4818X24	488	573	661	851	996	1216	673	802	814	950	862	996	936	989	1128	1036	1182	1131	1318	1533	

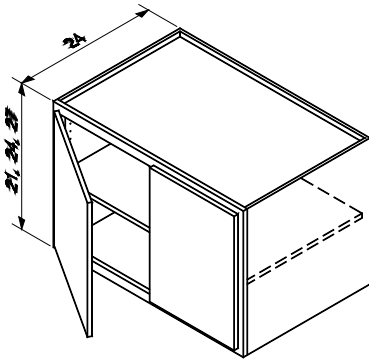
# Wall Cabinets

24" DEEP WALL – 20", 21", 24", 26" & 27" H

• One adjustable shelf

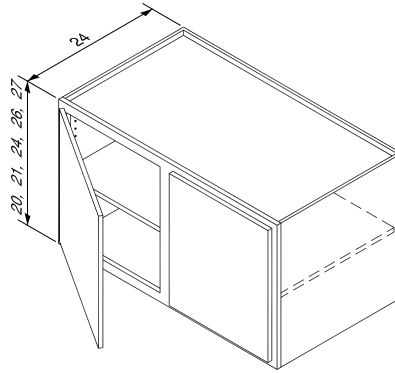
### MODIFICATION LIMITS

Width 18" – 36" (Inset: 21" min.)  
 Height 18-1/4" – 27"  
 Depth No Depth Mods



### MODIFICATION LIMITS

Width 36-1/4" – 48"  
 Height 18-1/4" – 27"  
 Depth No Depth Mods



Adjustable shelf not removable

#### W2DRX24

21" H	24" H	27" H
W3021X24	W3024X24	W3027X24
W3321X24	W3324X24	W3327X24
W3621X24	W3624X24	W3627X24

#### W2DRX24

20" H	21" H	24" H	26" H	27" H
W3720X24	W3921X24	W3924X24	W3726X24	W3927X24
	W4221X24	W4224X24		W4227X24
	W4521X24	W4524X24		W4527X24
	W4821X24	W4824X24		W4827X24



# Wall Cabinets

	C0	C1	C2	C4	C4A	C5	C7	C7A	C9	C9A	C10	C10A	C11	C12	C12A	C13	C13A	C14	C15	C16
<b>24" DEEP WALL – 20" H</b>																				
W3720X24	424	512	600	790	870	1167	626	746	755	829	829	958	907	950	1087	994	1138	1084	1267	1474
<b>24" DEEP WALL – 21" H</b>																				
W3021X24	380	429	482	607	714	921	505	583	580	682	682	765	748	751	851	787	892	856	997	1158
W3321X24	388	438	490	616	722	931	514	592	589	690	690	773	756	760	860	795	901	867	1009	1172
W3621X24	432	524	614	807	889	1192	639	763	772	848	848	979	928	970	1111	1016	1163	1107	1294	1506
W3921X24	485	589	685	892	982	1313	711	845	851	938	938	1079	1023	1067	1218	1118	1275	1219	1423	1657
W4221X24	519	631	734	957	1053	1409	762	906	912	1006	1006	1158	1097	1145	1308	1201	1370	1309	1528	1781
W4521X24	553	672	784	1023	1126	1508	812	967	975	1075	1075	1236	1172	1223	1398	1282	1464	1399	1635	1905
W4821X24	585	712	833	1087	1197	1604	863	1028	1036	1143	1143	1316	1248	1303	1487	1364	1559	1489	1740	2028
<b>24" DEEP WALL – 24" H</b>																				
W3024X24	397	446	499	624	704	943	522	600	597	673	699	782	765	768	868	804	909	877	1021	1186
W3324X24	405	455	507	633	714	953	531	609	605	682	707	790	773	777	877	812	918	885	1033	1201
W3624X24	449	541	631	826	962	1214	656	780	789	918	865	996	945	987	1128	1035	1182	1128	1316	1531
W3924X24	502	597	694	901	1045	1323	719	853	860	997	946	1087	1031	1075	1226	1126	1286	1230	1435	1671
W4224X24	538	639	743	967	1121	1421	770	916	923	1070	1016	1167	1107	1155	1316	1209	1381	1321	1542	1796
W4524X24	572	682	794	1031	1197	1520	823	977	985	1143	1084	1247	1182	1233	1408	1292	1476	1411	1649	1920
W4824X24	607	724	843	1097	1275	1616	873	1038	1046	1216	1153	1326	1258	1313	1498	1375	1570	1503	1755	2045
<b>24" DEEP WALL – 26" H</b>																				
W3726X24	495	585	675	870	1004	1264	700	823	831	958	906	1036	985	1028	1167	1075	1223	1174	1372	1596
<b>24" DEEP WALL – 27" H</b>																				
W3027X24	448	497	550	678	758	1006	573	646	648	724	750	833	816	819	919	858	963	934	1089	1265
W3327X24	456	505	558	687	767	1016	582	660	656	733	758	841	824	828	928	867	972	945	1101	1279
W3627X24	500	592	682	879	1014	1277	707	831	840	968	916	1046	996	1038	1179	1087	1235	1186	1386	1613
W3927X24	553	648	745	953	1097	1323	770	904	911	1048	997	1138	1082	1075	1226	1126	1286	1230	1435	1671
W4227X24	592	694	799	1023	1179	1421	826	970	977	1124	1070	1221	1162	1155	1316	1209	1381	1321	1542	1796
W4527X24	631	739	851	1092	1258	1520	880	1036	1043	1202	1143	1306	1241	1233	1408	1292	1476	1411	1649	1920
W4827X24	670	787	906	1162	1340	1616	936	1101	1109	1279	1216	1389	1321	1313	1498	1375	1570	1503	1755	2045

# Wall Cabinets

\*\*LL, LR, RL or RR required

## WALL DOUBLE-ENTRY – 18" H

- See chart on pg W-19 for hinging on single-door cabinets
- No adjustable shelves

### MODIFICATION LIMITS

Width 9" – 24"  
Height 12" – 18"  
Depth 9" – 24"

### MODIFICATION LIMITS

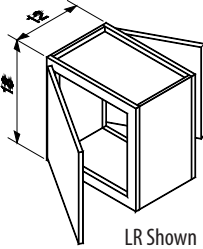
Width 18" – 36" (Inset: 21" min.)  
Height 12" – 18"  
Depth 9" – 24"

### MODIFICATION LIMITS

Width 36-1/4" – 48"  
Height 12" – 18"  
Depth 9" – 24"

WDE2DR

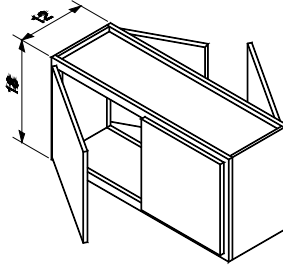
WDE1218\*\*  
WDE1518\*\*  
WDE1818\*\*  
WDE2118\*\*  
WDE2418\*\*



LR Shown

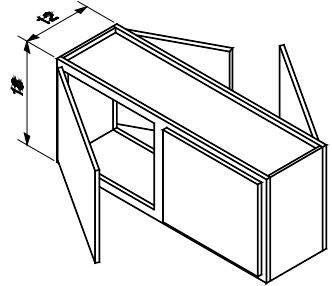
WDE4DR

WDE2418DD  
WDE2718  
WDE3018  
WDE3318  
WDE3618



WDE4DR

WDE3918  
WDE4218  
WDE4518  
WDE4818



## WALL DOUBLE-ENTRY – 24" H

- One adjustable shelf

### MODIFICATION LIMITS

Width 9" – 24"  
Height 18-1/4" – 27"  
Depth 9" – 24"

### MODIFICATION LIMITS

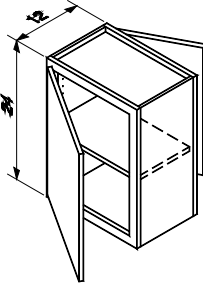
Width 18" – 36" (Inset: 21" min.)  
Height 18-1/4" – 27"  
Depth 9" – 24"

### MODIFICATION LIMITS

Width 36-1/4" – 48"  
Height 18-1/4" – 27"  
Depth 9" – 24"

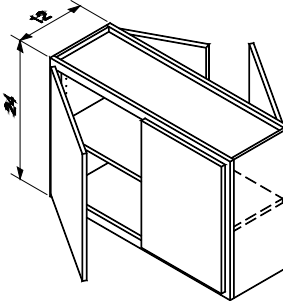
WDE2DR

WDE1224\*\*  
WDE1524\*\*  
WDE1824\*\*  
WDE2124\*\*  
WDE2424\*\*



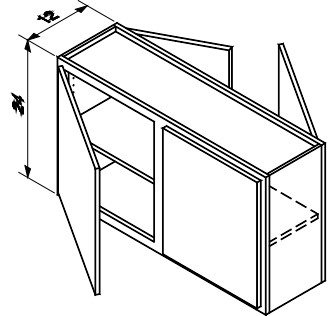
WDE4DR

WDE2424DD  
WDE2724  
WDE3024  
WDE3324  
WDE3624



WDE4DR

WDE3924  
WDE4224  
WDE4524  
WDE4824



## WALL DOUBLE-ENTRY – 30" H

- Two adjustable shelves

### MODIFICATION LIMITS

Width 9" – 24"  
Height 27-1/4" – 36"  
Depth 9" – 24"

### MODIFICATION LIMITS

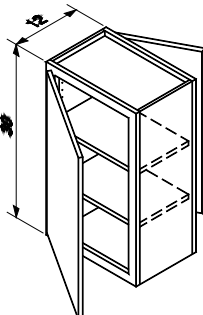
Width 18" – 36" (Inset: 21" min.)  
Height 27-1/4" – 36"  
Depth 9" – 24"

### MODIFICATION LIMITS

Width 36-1/4" – 48"  
Height 27-1/4" – 36"  
Depth 9" – 24"

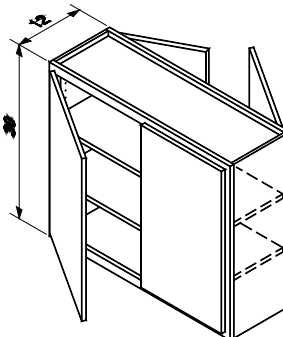
WDE2DR

WDE1230\*\*  
WDE1530\*\*  
WDE1830\*\*  
WDE2130\*\*  
WDE2430\*\*



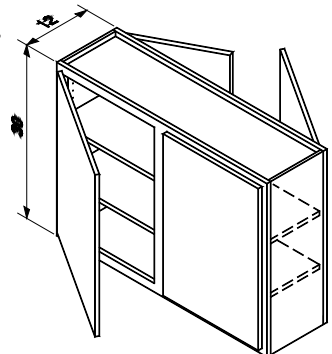
WDE4DR

WDE2430DD  
WDE2730  
WDE3030  
WDE3330  
WDE3630



WDE4DR

WDE3930  
WDE4230  
WDE4530  
WDE4830

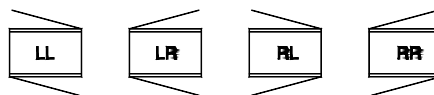


# Wall Cabinets

\*\*LL, LR, RL or RR required

	C0	C1	C2	C4	C4A	C5	C7	C7A	C9	C9A	C10	C10A	C11	C12	C12A	C13	C13A	C14	C15	C16
<b>WALL DBL-ENTRY (2-DR) – 18" H</b>																				
WDE1218**	295	349	405	543	643	734	410	502	519	614	485	566	558	600	689	628	721	683	794	921
WDE1518**	309	371	436	585	690	807	444	544	560	660	539	628	617	660	756	690	792	751	873	1014
WDE1818**	317	378	443	592	699	816	451	551	566	668	544	636	624	667	765	697	801	760	884	1026
WDE2118**	338	414	495	668	790	953	516	629	639	755	644	750	733	777	892	812	934	885	1033	1201
WDE2418**	332	419	507	692	817	1001	534	653	661	780	682	792	773	816	940	855	984	931	1085	1262
<b>WALL DBL-ENTRY (4-DR) – 18" H</b>																				
WDE2418DD	358	483	605	851	1031	1204	629	795	812	984	789	940	894	979	1136	1024	1191	1118	1304	1518
WDE2718	368	502	633	892	1077	1274	663	834	851	1028	840	999	950	1035	1202	1084	1260	1182	1381	1606
WDE3018	380	522	660	931	1123	1343	697	875	889	1072	890	1057	1006	1091	1267	1143	1328	1247	1455	1694
WDE3318	392	543	687	970	1169	1413	729	916	926	1116	941	1116	1062	1146	1333	1201	1398	1311	1531	1784
WDE3618	404	561	714	1009	1216	1484	763	955	963	1160	992	1174	1118	1204	1398	1262	1465	1377	1610	1874
WDE3918	458	621	782	1094	1311	1606	833	1038	1045	1252	1082	1274	1216	1303	1509	1365	1582	1491	1742	2030
WDE4218	468	641	809	1133	1358	1676	865	1079	1082	1296	1133	1333	1272	1358	1576	1425	1652	1555	1818	2118
WDE4518	480	660	836	1174	1404	1745	899	1118	1119	1340	1184	1391	1328	1414	1640	1482	1720	1620	1893	2206
WDE4818	492	680	863	1213	1450	1815	931	1158	1157	1384	1235	1448	1384	1470	1704	1542	1788	1684	1969	2295
<b>WALL DBL-ENTRY (2-DR) – 24" H</b>																				
WDE1224**	326	395	466	638	753	899	480	589	609	719	631	714	690	733	843	767	882	834	974	1131
WDE1524**	341	422	507	695	823	1006	531	648	665	785	690	814	775	819	941	858	985	934	1089	1265
WDE1824**	354	449	546	755	892	1111	580	707	721	851	748	884	860	904	1041	946	1091	1033	1204	1401
WDE2124**	368	477	585	812	962	1218	628	768	777	918	824	955	945	990	1141	1038	1196	1131	1321	1538
WDE2424**	382	504	626	873	1031	1326	678	828	834	984	902	1045	1031	1077	1240	1128	1299	1231	1438	1674
<b>WALL DBL-ENTRY (4-DR) – 24" H</b>																				
WDE2424DD	407	568	724	1033	1243	1526	773	968	985	1186	1009	1192	1152	1238	1437	1297	1506	1416	1655	1928
WDE2724	421	595	763	1091	1311	1632	823	1028	1041	1252	1087	1282	1236	1323	1537	1387	1611	1515	1769	2061
WDE3024	434	622	804	1152	1381	1738	872	1089	1099	1318	1165	1370	1323	1409	1637	1477	1716	1613	1886	2198
WDE3324	449	650	843	1211	1450	1845	921	1148	1155	1384	1243	1460	1408	1496	1735	1569	1820	1713	2003	2335
WDE3624	463	677	882	1269	1518	1952	970	1208	1211	1448	1321	1548	1492	1581	1835	1657	1925	1810	2118	2469
WDE3924	543	767	984	1396	1664	2140	1075	1333	1331	1587	1457	1703	1643	1733	2008	1818	2106	1986	2324	2710
WDE4224	556	794	1023	1453	1733	2246	1124	1394	1387	1654	1535	1793	1728	1818	2106	1906	2210	2083	2439	2846
WDE4524	570	821	1063	1513	1801	2354	1174	1453	1443	1718	1613	1881	1813	1905	2205	1998	2313	2183	2554	2980
WDE4824	583	848	1102	1572	1871	2459	1223	1513	1499	1784	1691	1971	1898	1989	2305	2086	2418	2281	2670	3116
<b>WALL DBL-ENTRY (2-DR) – 30" H</b>																				
WDE1230**	358	436	517	712	840	1023	538	656	680	802	706	833	789	833	957	872	1002	950	1107	1287
WDE1530**	375	470	566	785	926	1155	599	731	750	884	778	918	895	940	1080	984	1131	1074	1252	1457
WDE1830**	392	504	616	858	1011	1287	660	806	819	965	865	1001	1001	1046	1204	1096	1262	1196	1396	1625
WDE2130**	407	536	665	931	1096	1418	721	879	889	1046	962	1111	1106	1152	1326	1208	1391	1318	1538	1791
WDE2430**	424	570	712	1004	1182	1552	780	953	958	1128	1058	1221	1211	1258	1450	1319	1520	1440	1682	1961
<b>WALL DBL-ENTRY (4-DR) – 30" H</b>																				
WDE2430DD	449	633	811	1162	1394	1752	877	1094	1109	1330	1165	1370	1333	1420	1647	1487	1727	1625	1900	2213
WDE2730	465	667	860	1235	1479	1884	938	1167	1179	1411	1262	1481	1438	1526	1771	1601	1857	1749	2044	2383
WDE3030	482	699	909	1308	1565	2017	997	1241	1248	1492	1357	1591	1543	1633	1894	1713	1986	1871	2188	2551
WDE3330	499	733	958	1381	1650	2149	1058	1316	1318	1574	1453	1701	1649	1740	2017	1825	2115	1994	2332	2720
WDE3630	514	765	1006	1452	1735	2279	1119	1389	1386	1655	1550	1811	1754	1845	2140	1935	2246	2115	2474	2887
WDE3930	611	875	1130	1610	1915	2512	1250	1543	1535	1827	1720	2003	1940	2032	2354	2130	2469	2329	2727	3182
WDE4230	628	907	1179	1682	2000	2644	1309	1618	1604	1906	1816	2113	2045	2139	2476	2244	2598	2452	2871	3351
WDE4530	643	941	1226	1755	2084	2775	1370	1691	1674	1988	1911	2223	2151	2244	2598	2354	2725	2573	3012	3516
WDE4830	660	974	1275	1827	2171	2907	1430	1764	1742	2069	2008	2332	2256	2351	2722	2466	2856	2697	3156	3684

WDE Single-door hinging



Primary Entry

# Wall Cabinets

\* L or R required

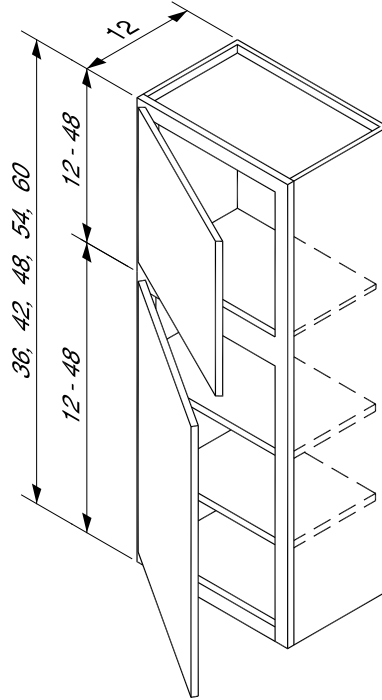
## WALL STACKED DOORS – 12" – 24" WIDE

### MODIFICATION LIMITS

Width 6" – 24" (Inset: 12" min.)  
 Height 24" – 66"  
 Depth 6" – 24"

- 1/2" fixed mid-shelf and 3" tall fixed mid rail between upper and lower doors
- On Modified and Traditional styles, doors will overlay mid rail 1/2" resulting in a 2" space between stacked doors
- Location and height of upper and lower doors will match cabinets of same callout height

Upper or Lower Section Height	Qty of Adj. Shelves
12" – 18"	0
18 1/4" – 27"	1
27 1/4" – 36"	2
36 1/4" – 48"	3



W2SDR			W2SDR		
36" H	39" H	42" H	48" H	54" H	60" H
W2SDR0936*	W2SDR0939*	W2SDR0942*	W2SDR0948*	W2SDR0954*	W2SDR0960*
W2SDR1236*	W2SDR1239*	W2SDR1242*	W2SDR1248*	W2SDR1254*	W2SDR1260*
W2SDR1536*	W2SDR1539*	W2SDR1542*	W2SDR1548*	W2SDR1554*	W2SDR1560*
W2SDR1836*	W2SDR1839*	W2SDR1842*	W2SDR1848*	W2SDR1854*	W2SDR1860*
W2SDR2136*	W2SDR2139*	W2SDR2142*	W2SDR2148*	W2SDR2154*	W2SDR2160*
W2SDR2436*	W2SDR2439*	W2SDR2442*	W2SDR2448*	W2SDR2454*	W2SDR2460*

- Use chart to determine overall cabinet height by combining upper and lower section heights
- **Bold** heights are standard
- Light grey heights require height modification

		HEIGHT OF UPPER SECTION												
		12	15	18	21	24	27	30	33	36	39	42	45	48
HEIGHT OF LOWER SECTION	12	24	27	30	33	<b>36</b>	<b>39</b>	<b>42</b>	45	<b>48</b>	51	<b>54</b>	57	<b>60</b>
	15	27	30	33	<b>36</b>	<b>39</b>	<b>42</b>	45	<b>48</b>	51	<b>54</b>	57	<b>60</b>	63
	18	30	33	<b>36</b>	<b>39</b>	<b>42</b>	45	<b>48</b>	51	<b>54</b>	57	<b>60</b>	63	66
	21	33	<b>36</b>	<b>39</b>	<b>42</b>	45	<b>48</b>	51	<b>54</b>	57	<b>60</b>	63	66	
	24	<b>36</b>	<b>39</b>	<b>42</b>	45	<b>48</b>	51	<b>54</b>	57	<b>60</b>	63	66		
	27	<b>39</b>	<b>42</b>	45	<b>48</b>	51	<b>54</b>	57	<b>60</b>	63	66			
	30	<b>42</b>	45	<b>48</b>	51	<b>54</b>	57	<b>60</b>	63	66				
	33	45	<b>48</b>	51	<b>54</b>	57	<b>60</b>	63	66					
	36	<b>48</b>	51	<b>54</b>	57	<b>60</b>	63	66						
	39	51	<b>54</b>	57	<b>60</b>	63	66							
42	<b>54</b>	57	<b>60</b>	63	66									
45	57	<b>60</b>	63	66										
48	<b>60</b>	63	66											

# Wall Cabinets

\* L or R required

	C0	C1	C2	C4	C4A	C5	C7	C7A	C9	C9A	C10	C10A	C11	C12	C12A	C13	C13A	C14	C15	C16
<b>WALL (2-DR) STACK – 36" H</b>																				
W2SDR0936-__*	785	836	892	929	1048	1107	894	977	909	1021	951	985	972	985	1118	1009	1152	1060	1206	1330
W2SDR1236-__*	799	856	918	982	1104	1192	924	1013	958	1074	1009	1057	1040	1053	1192	1080	1230	1138	1301	1440
W2SDR1536-__*	809	870	934	1029	1148	1270	941	1036	1002	1118	1040	1111	1084	1118	1240	1148	1277	1213	1352	1501
W2SDR1836-__*	819	884	951	1080	1196	1355	958	1057	1053	1162	1077	1175	1145	1186	1294	1219	1335	1291	1433	1596
W2SDR2136-__*	829	901	972	1135	1253	1440	982	1087	1104	1216	1135	1247	1209	1253	1369	1291	1413	1369	1525	1701
W2SDR2436-__*	850	928	1006	1182	1308	1521	1023	1135	1148	1267	1196	1314	1274	1318	1443	1358	1491	1443	1613	1806
<b>WALL (2-DR) STACK – 39" or 42" H</b>																				
W2SDR09__*	811	884	895	1014	1116	1233	901	990	989	1085	1004	1079	1048	1087	1167	1118	1201	1179	1284	1421
W2SDR12__*	831	902	934	1084	1194	1343	946	1052	1055	1160	1084	1172	1133	1175	1267	1211	1306	1280	1401	1559
W2SDR15__*	853	941	974	1138	1262	1442	989	1114	1107	1225	1157	1245	1209	1255	1375	1294	1420	1372	1533	1713
W2SDR18__*	873	960	1013	1199	1342	1552	1033	1170	1163	1299	1236	1335	1294	1343	1484	1386	1533	1472	1665	1867
W2SDR21__*	894	979	1055	1264	1413	1659	1077	1235	1226	1369	1316	1423	1374	1430	1581	1477	1635	1572	1779	2000
W2SDR24__*	916	1009	1091	1338	1492	1769	1126	1296	1297	1445	1392	1516	1462	1518	1682	1570	1742	1674	1898	2139
" __ - __" Specify overall height & lower section height																				
<b>WALL (2-DR) STACK – 48" H</b>																				
W2SDR0948-__*	829	884	921	1067	1172	1304	928	1031	1038	1140	1050	1130	1104	1145	1233	1179	1270	1245	1360	1511
W2SDR1248-__*	845	909	955	1113	1226	1387	967	1077	1082	1191	1111	1199	1169	1211	1308	1248	1350	1321	1450	1616
W2SDR1548-__*	868	940	997	1170	1299	1494	1014	1143	1138	1260	1192	1286	1252	1297	1425	1340	1472	1421	1589	1777
W2SDR1848-__*	889	970	1038	1235	1382	1613	1062	1204	1197	1338	1279	1382	1343	1392	1542	1438	1594	1530	1732	1944
W2SDR2148-__*	911	1001	1084	1303	1459	1727	1107	1272	1264	1413	1365	1477	1430	1484	1645	1533	1703	1635	1852	2084
W2SDR2448-__*	933	1033	1123	1381	1545	1844	1162	1338	1338	1494	1447	1577	1523	1579	1752	1633	1816	1743	1981	2235
<b>WALL (2-DR) STACK – 54" H</b>																				
W2SDR0954-__*	834	892	953	1074	1192	1326	957	1053	1045	1158	1067	1143	1135	1162	1291	1196	1331	1264	1425	1586
W2SDR1254-__*	850	918	987	1119	1247	1409	996	1099	1089	1209	1128	1213	1199	1228	1365	1265	1411	1340	1515	1691
W2SDR1554-__*	873	950	1029	1189	1323	1530	1045	1158	1155	1284	1204	1309	1287	1326	1465	1369	1515	1453	1628	1823
W2SDR1854-__*	894	982	1070	1262	1401	1655	1092	1214	1225	1357	1284	1411	1384	1426	1569	1474	1623	1569	1759	1976
W2SDR2154-__*	916	1016	1114	1335	1482	1777	1141	1275	1294	1435	1374	1516	1481	1525	1681	1576	1740	1681	1891	2130
W2SDR2454-__*	943	1055	1165	1404	1564	1900	1202	1347	1360	1511	1465	1620	1577	1623	1793	1679	1859	1794	2025	2288
<b>WALL (2-DR) STACK – 60" H</b>																				
W2SDR0960-__*	855	914	979	1107	1231	1382	984	1084	1077	1196	1102	1184	1179	1206	1342	1241	1386	1314	1484	1655
W2SDR1260-__*	873	945	1018	1162	1296	1479	1029	1138	1130	1257	1175	1265	1255	1284	1430	1323	1479	1404	1589	1777
W2SDR1560-__*	902	985	1070	1252	1394	1626	1089	1209	1214	1352	1267	1381	1365	1404	1555	1450	1610	1543	1733	1947
W2SDR1860-__*	928	1023	1118	1333	1481	1767	1143	1274	1292	1433	1357	1494	1472	1516	1671	1567	1730	1671	1881	2120
W2SDR2160-__*	951	1060	1167	1413	1572	1903	1199	1343	1369	1520	1457	1611	1581	1626	1796	1682	1862	1798	2028	2291
W2SDR2460-__*	980	1102	1223	1492	1664	2039	1265	1421	1443	1606	1559	1727	1689	1735	1922	1798	1993	1923	2176	2464
" __" Specify height of lower section																				

# Wall Cabinets

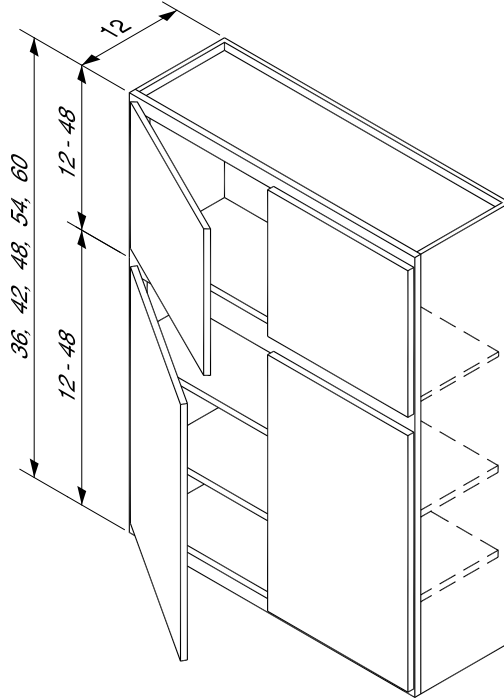
## WALL STACKED DOORS – 24DD" – 36" WIDE

### MODIFICATION LIMITS

Width 18" – 36" (Inset: 12" min.)  
 Height 24" – 66"  
 Depth 6" – 24"

- 1/2" fixed mid-shelf and 3" tall fixed mid rail between upper and lower doors
- On Modified and Traditional styles, doors will overlay mid rail 1/2" resulting in a 2" space between stacked doors
- Location and height of upper and lower doors will match cabinets of same callout height

Upper or Lower Section Height	Qty of Adj. Shelves
12" – 18"	0
18 1/4" – 27"	1
27 1/4" – 36"	2
36 1/4" – 48"	3



W4SDR			W4SDR		
36" H	39" H	42" H	48" H	54" H	60" H
W4SDR2436	W4SDR2439	W4SDR2442	W4SDR2448	W4SDR2454	W4SDR2460
W4SDR2736	W4SDR2739	W4SDR2742	W4SDR2748	W4SDR2754	W4SDR2760
W4SDR3036	W4SDR3039	W4SDR3042	W4SDR3048	W4SDR3054	W4SDR3060
W4SDR3336	W4SDR3339	W4SDR3342	W4SDR3348	W4SDR3354	W4SDR3360
W4SDR3636	W4SDR3639	W4SDR3642	W4SDR3648	W4SDR3654	W4SDR3660

- Use chart to determine overall cabinet height by combining upper and lower section heights
- **Bold** heights are standard
- Light grey heights require height modification

		HEIGHT OF UPPER SECTION												
		12	15	18	21	24	27	30	33	36	39	42	45	48
HEIGHT OF LOWER SECTION	12	24	27	30	33	<b>36</b>	<b>39</b>	42	45	<b>48</b>	51	<b>54</b>	57	<b>60</b>
	15	27	30	33	<b>36</b>	<b>39</b>	<b>42</b>	45	<b>48</b>	51	<b>54</b>	57	<b>60</b>	63
	18	30	33	<b>36</b>	<b>39</b>	<b>42</b>	45	<b>48</b>	51	<b>54</b>	57	<b>60</b>	63	66
	21	33	<b>36</b>	<b>39</b>	<b>42</b>	45	<b>48</b>	51	<b>54</b>	57	<b>60</b>	63	66	
	24	<b>36</b>	<b>39</b>	<b>42</b>	45	<b>48</b>	51	<b>54</b>	57	<b>60</b>	63	66		
	27	<b>39</b>	<b>42</b>	45	<b>48</b>	51	<b>54</b>	57	<b>60</b>	63	66			
	30	<b>42</b>	45	<b>48</b>	51	<b>54</b>	57	<b>60</b>	63	66				
	33	45	<b>48</b>	51	<b>54</b>	57	<b>60</b>	63	66					
	36	<b>48</b>	51	<b>54</b>	57	<b>60</b>	63	66						
	39	51	<b>54</b>	57	<b>60</b>	63	66							
42	<b>54</b>	57	<b>60</b>	63	66									
45	57	<b>60</b>	63	66										
48	<b>60</b>	63	66											

# Wall Cabinets

	C0	C1	C2	C4	C4A	C5	C7	C7A	C9	C9A	C10	C10A	C11	C12	C12A	C13	C13A	C14	C15	C16
<b>WALL (4-DR) STACK – 36" H</b>																				
W4SDR2436-__	873	989	1101	1331	1504	1711	1114	1267	1291	1457	1301	1460	1392	1470	1630	1521	1688	1620	1820	2047
W4SDR2736-__	894	1019	1135	1382	1559	1789	1152	1314	1338	1508	1362	1528	1453	1535	1704	1589	1766	1694	1905	2145
W4SDR3036-__	918	1046	1172	1426	1613	1871	1192	1358	1382	1559	1423	1596	1518	1599	1779	1657	1844	1769	1993	2251
W4SDR3336-__	938	1077	1206	1474	1671	1949	1233	1406	1426	1613	1481	1664	1582	1664	1850	1721	1918	1840	2081	2352
W4SDR3636-__	958	1104	1240	1521	1721	2030	1274	1453	1470	1664	1538	1732	1647	1728	1925	1789	1996	1915	2166	2451

<b>WALL (4-DR) STACK – 39" or 42" H</b>																				
W4SDR24__-__	929	1057	1172	1450	1630	1916	1196	1372	1404	1576	1467	1625	1560	1637	1818	1694	1884	1811	2045	2312
W4SDR27__-__	958	1102	1238	1521	1723	2030	1267	1447	1472	1664	1543	1720	1645	1728	1923	1791	1994	1916	2167	2454
W4SDR30__-__	984	1138	1282	1581	1791	2128	1318	1506	1528	1728	1611	1806	1727	1808	2018	1874	2095	2008	2274	2580
W4SDR33__-__	1009	1174	1328	1643	1862	2237	1370	1567	1587	1796	1686	1894	1810	1894	2113	1966	2195	2106	2391	2715
W4SDR36__-__	1036	1209	1374	1704	1932	2337	1420	1628	1645	1862	1762	1983	1893	1976	2208	2050	2295	2200	2502	2844

"\_\_ - \_\_" Specify overall height & lower section height

<b>WALL (4-DR) STACK – 48" H</b>																				
W4SDR2448-__	946	1080	1202	1492	1682	1991	1231	1414	1445	1625	1521	1688	1621	1698	1889	1759	1959	1881	2128	2410
W4SDR2748-__	977	1128	1272	1570	1777	2115	1306	1492	1518	1716	1603	1789	1711	1796	2001	1862	2078	1994	2259	2563
W4SDR3048-__	1001	1165	1319	1635	1852	2222	1360	1557	1579	1786	1677	1883	1801	1883	2103	1954	2184	2095	2374	2697
W4SDR3348-__	1028	1202	1365	1699	1927	2337	1414	1621	1642	1857	1757	1978	1889	1974	2206	2049	2293	2198	2500	2842
W4SDR3648-__	1055	1240	1414	1764	2001	2447	1469	1686	1703	1928	1840	2073	1979	2064	2308	2142	2400	2301	2620	2983

<b>WALL (4-DR) STACK – 54" H</b>																				
W4SDR2454-__	967	1116	1258	1554	1762	2091	1292	1477	1503	1701	1570	1767	1696	1777	1981	1844	2056	1972	2234	2532
W4SDR2754-__	994	1157	1309	1628	1842	2213	1350	1547	1572	1777	1662	1871	1791	1876	2095	1947	2176	2086	2366	2686
W4SDR3054-__	1021	1196	1362	1696	1923	2334	1409	1616	1638	1854	1754	1974	1889	1972	2206	2049	2293	2198	2497	2839
W4SDR3354-__	1048	1236	1411	1766	2005	2456	1469	1686	1704	1932	1844	2078	1986	2071	2318	2149	2410	2308	2630	2995
W4SDR3654-__	1075	1275	1462	1835	2084	2578	1528	1755	1771	2008	1933	2181	2084	2169	2430	2252	2527	2422	2761	3148

<b>WALL (4-DR) STACK – 60" H</b>																				
W4SDR2460-__	1009	1169	1321	1652	1872	2246	1360	1557	1596	1806	1669	1877	1818	1901	2122	1972	2203	2115	2402	2727
W4SDR2760-__	1038	1214	1377	1733	1964	2379	1425	1635	1672	1893	1771	1993	1927	2010	2247	2088	2335	2240	2546	2897
W4SDR3060-__	1070	1257	1435	1810	2052	2517	1491	1711	1747	1978	1874	2108	2035	2120	2374	2203	2469	2368	2695	3071
W4SDR3360-__	1099	1301	1491	1888	2145	2651	1557	1789	1820	2066	1974	2223	2144	2229	2498	2315	2598	2490	2842	3244
W4SDR3660-__	1128	1345	1547	1964	2234	2788	1623	1867	1893	2151	2074	2339	2252	2339	2624	2430	2731	2617	2990	3416

"\_\_" Specify height of lower section



# Wall Cabinets

\* L or R required

## WALL APPLIANCE GARAGE

Cabinet Height	Qty of Adj. Shelves
48" – 54"	2
54-1/4" – 66"	3

- Exterior ends are not finished
- Height modifications made in door area
- Opening height with tambour door raised: 15"
- Default height of tambour section: 18"

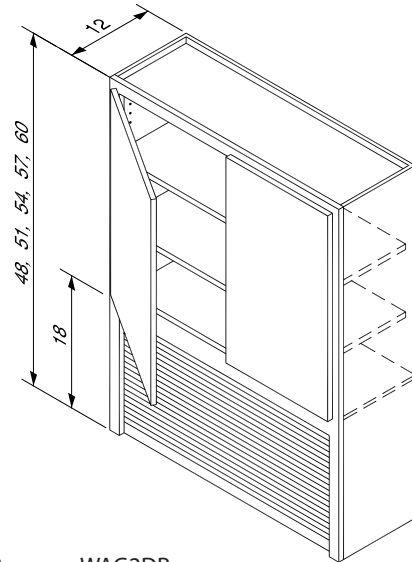
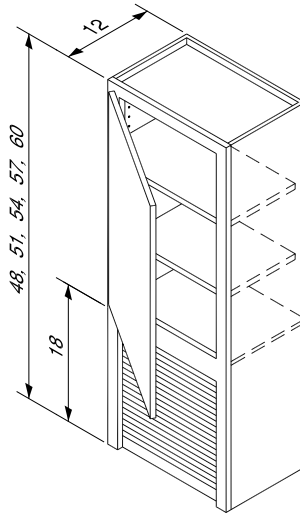
- Tambour height Modification available:
  - Increased to a max. 24" H (1/4" increments)
  - Overall cabinet height does not change, difference is taken from door section
  - Add \$254 MSRP for this modification
- **Not available:** Black Walnut, Sapele

### MODIFICATION LIMITS

Width 15" – 24"  
 Height 48" – 66"  
 Depth 12" – 24"

### MODIFICATION LIMITS

Width 18" – 36" (Inset: 21" min.)  
 Height 48" – 66"  
 Depth 12" – 24"



WAG1DR	WAG2DR
48", 51", 54", 57", 60" H	
WAG15__*	WAG24__DD
WAG18__*	WAG27__
WAG21__*	WAG30__
WAG24__*	WAG33__
	WAG36__

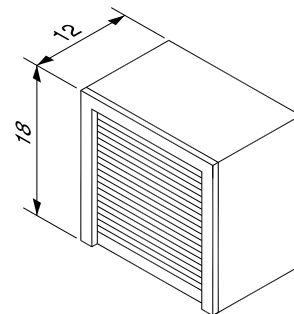
## APPLIANCE GARAGE

### MODIFICATION LIMITS

Width 15" – 36"  
 Height 18" – 24"  
 Depth 12" – 24"

- Opening height with tambour door raised is 15"
- Exterior ends are not finished
- **Not available:** Black Walnut, Sapele

AG	
18" H	
AG15	AG27
AG18	AG30
AG21	AG33
AG24	AG36





# Wall Cabinets

\* L or R required

	C0	C1	C2	C4	C4A	C5	C7	C7A	C9	C9A	C10	C10A	C11	C12	C12A	C13	C13A	C14	C15	C16
<b>WALL APPLIANCE GARAGE (1-DR) - 48" H</b>																				
WAG1548*	538	611	675	801	831	1070	721	748	765	794	816	843	846	872	892	912	934	996	1160	1348
WAG1848*	600	683	841	940	965	1170	865	887	897	921	914	936	926	951	967	997	1013	1087	1269	1476
WAG2148*	728	756	936	1045	1070	1304	963	987	997	1021	1021	1045	1035	1060	1075	1111	1126	1211	1414	1647
WAG2448*	812	829	1031	1150	1175	1437	1063	1089	1097	1121	1130	1153	1141	1167	1184	1223	1240	1335	1559	1815
<b>WALL APPLIANCE GARAGE (2-DR) - 48" H</b>																				
WAG2448DD	846	868	1094	1245	1291	1557	1130	1172	1187	1231	1199	1241	1214	1264	1289	1325	1352	1445	1689	1967
WAG2748	914	943	1189	1350	1396	1693	1228	1272	1287	1331	1308	1352	1321	1372	1398	1438	1465	1570	1835	2139
WAG3048	982	1016	1284	1453	1501	1825	1328	1372	1387	1431	1414	1460	1430	1479	1506	1550	1579	1693	1981	2310
WAG3348	1033	1089	1381	1557	1606	1959	1428	1472	1486	1531	1523	1569	1537	1587	1615	1664	1693	1818	2127	2480
WAG3648	1109	1162	1476	1662	1711	2093	1526	1572	1586	1632	1632	1677	1645	1694	1725	1777	1808	1942	2271	2649
<b>WALL APPLIANCE GARAGE (1-DR) - 51" &amp; 54" H</b>																				
WAG15(H)*	592	634	775	877	902	1101	802	824	838	862	853	877	870	895	911	938	953	1023	1192	1387
WAG18(H)*	643	711	875	985	1013	1245	906	931	941	967	970	994	987	1013	1028	1060	1077	1157	1350	1570
WAG21(H)*	762	785	974	1096	1123	1389	1011	1036	1046	1072	1085	1111	1102	1128	1145	1182	1199	1289	1506	1754
WAG24(H)*	812	860	1072	1204	1233	1531	1114	1141	1150	1177	1201	1228	1218	1243	1262	1303	1323	1423	1662	1937
<b>WALL APPLIANCE GARAGE (2-DR) - 51" &amp; 54" H</b>																				
WAG24(H)DD	855	901	1135	1301	1350	1652	1180	1225	1241	1287	1272	1316	1289	1340	1367	1404	1433	1533	1793	2089
WAG27(H)	914	975	1235	1411	1460	1796	1286	1331	1347	1392	1387	1433	1404	1455	1484	1525	1555	1665	1949	2271
WAG30(H)	999	1052	1333	1520	1570	1939	1389	1437	1450	1498	1503	1550	1520	1570	1601	1647	1679	1799	2103	2452
WAG33(H)	1084	1126	1431	1630	1682	2083	1494	1542	1555	1604	1618	1667	1637	1686	1718	1767	1801	1932	2259	2636
WAG36(H)	1202	1262	1530	1738	1793	2227	1598	1647	1659	1710	1735	1784	1750	1803	1835	1891	1925	2066	2417	2819
<b>WALL APPLIANCE GARAGE (1-DR) - 57" &amp; 60" H</b>																				
WAG15(H)*	660	682	831	958	984	1221	867	890	914	940	936	962	967	992	1011	1040	1058	1133	1323	1540
WAG18(H)*	728	763	938	1077	1106	1382	980	1006	1028	1055	1065	1092	1097	1123	1141	1177	1196	1284	1499	1745
WAG21(H)*	795	843	1045	1196	1226	1543	1094	1121	1141	1170	1196	1225	1226	1252	1272	1311	1333	1431	1674	1950
WAG24(H)*	863	924	1150	1316	1347	1704	1208	1238	1255	1286	1325	1355	1355	1382	1404	1448	1472	1582	1850	2157
<b>WALL APPLIANCE GARAGE (2-DR) - 57" &amp; 60" H</b>																				
WAG24(H)DD	897	970	1219	1426	1477	1840	1279	1326	1360	1409	1401	1448	1442	1491	1523	1564	1596	1708	1996	2327
WAG27(H)	982	1050	1325	1547	1599	2001	1392	1442	1476	1525	1530	1581	1570	1621	1655	1699	1735	1857	2173	2534
WAG30(H)	1067	1131	1431	1665	1721	2164	1508	1559	1589	1642	1660	1713	1699	1752	1786	1837	1872	2008	2349	2741
WAG33(H)	1152	1213	1538	1786	1842	2324	1621	1674	1703	1757	1789	1844	1828	1881	1918	1972	2011	2156	2522	2943
WAG36(H)	1236	1292	1645	1905	1964	2485	1735	1789	1816	1872	1920	1974	1959	2010	2049	2108	2149	2303	2697	3146

"(H)" Specify height

	C0	C1	C2	C4	C4A	C5	C7	C7A	C9	C9A	C10	C10A	C11	C12	C12A	C13	C13A	C14	C15	C16
<b>APPLIANCE GARAGE - 18" H</b>																				
AG15	628	628	628	656	656	628	628	628	628	628	628	628	628	628	628	656	656	628	628	628
AG18	667	667	667	697	697	667	667	667	667	667	667	667	667	667	667	697	697	667	667	667
AG21	704	704	704	736	736	704	704	704	704	704	704	704	704	704	704	736	736	704	704	704
AG24	743	743	743	777	777	743	743	743	743	743	743	743	743	743	743	777	777	743	743	743
AG27	782	782	782	819	819	782	782	782	782	782	782	782	782	782	782	819	819	782	782	782
AG30	821	821	821	860	860	821	821	821	821	821	821	821	821	821	821	860	860	821	821	821
AG33	858	858	858	899	899	858	858	858	858	858	858	858	858	858	858	899	899	858	858	858
AG36	897	897	897	940	940	897	897	897	897	897	897	897	897	897	897	940	940	897	897	897

# Wall Cabinets

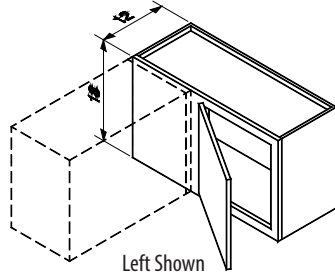
\* L or R required

## WALL SQUARE CORNER – 18" H

### MODIFICATION LIMITS

Width No Width Mods  
 Height 12" – 18"  
 Depth 6" – 24"

- No adjustable shelves
- See chart/diagram on pg W-27 for specifications
- Blind area not finished
- Right or Left determined by side voided



### WSC1DR

18" H

WSC2418\*

WSC2718\*

WSC3018\*

WSC3318\*

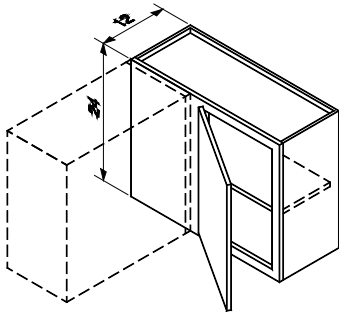
WSC3618\*

## WALL SQUARE CORNER – 24" H

### MODIFICATION LIMITS

Width No Width Mods  
 Height 18-1/4" – 24"  
 Depth 6" – 24"

- One adjustable shelf



### WSC1DR

24" H

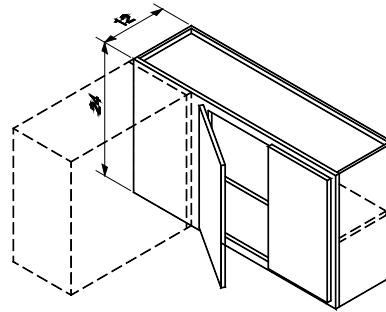
WSC2424\*

WSC2724\*

WSC3024\*

WSC3324\*

WSC3624\*



### WSC2DR

24" H

WSC3924\*

WSC4224\*

WSC4524\*

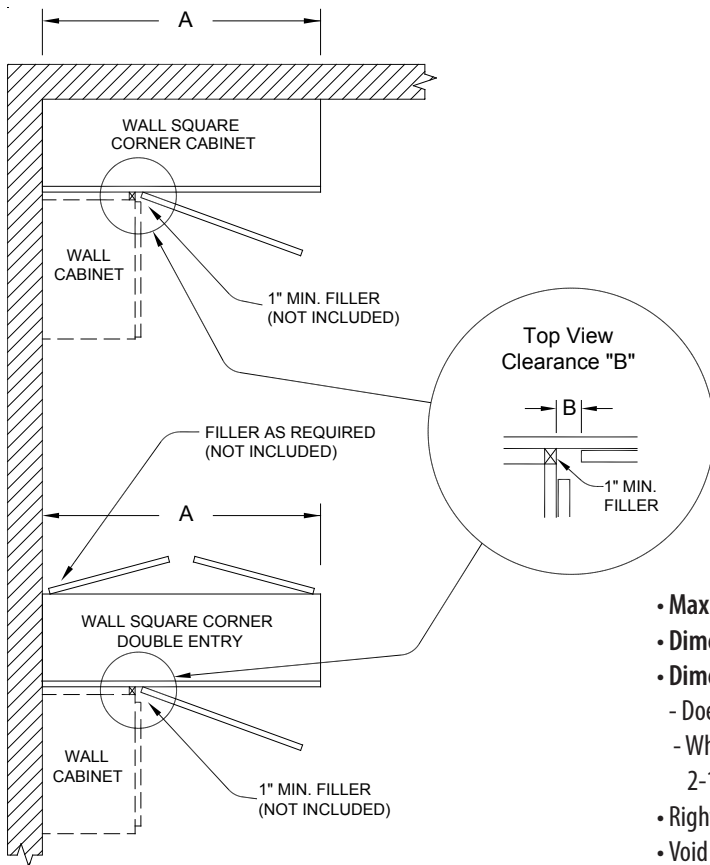
WSC4824\*

# Wall Cabinets

\* L or R required

	C0	C1	C2	C4	C4A	C5	C7	C7A	C9	C9A	C10	C10A	C11	C12	C12A	C13	C13A	C14	C15	C16
<b>WALL SQUARE CORNER (1-DR) – 18" H</b>																				
WSC2418*	319	341	366	449	514	605	363	421	431	492	446	509	478	497	560	519	585	565	655	758
WSC2718*	334	361	392	483	550	660	390	453	463	526	480	544	522	541	611	566	639	616	714	828
WSC3018*	348	380	416	516	592	873	417	485	494	566	516	583	566	712	663	746	694	812	945	1097
WSC3318*	363	399	439	550	628	772	538	517	526	600	556	631	612	631	714	660	748	717	836	970
WSC3618*	377	419	561	582	626	823	471	550	556	599	599	678	656	672	765	702	801	765	890	1033
<b>WALL SQUARE CORNER (1-DR) – 24" H</b>																				
WSC2424*	349	373	402	495	566	667	397	461	473	541	490	561	526	546	616	572	644	621	721	834
WSC2724*	366	395	429	533	607	728	427	497	509	580	527	602	575	595	673	622	704	677	787	912
WSC3024*	382	417	456	568	650	790	458	533	543	621	566	643	624	646	731	677	765	736	856	994
WSC3324*	397	438	483	605	692	851	488	570	578	661	612	695	675	695	787	728	824	792	923	1072
WSC3624*	412	460	510	641	733	909	519	605	612	700	660	748	724	741	845	775	884	845	984	1143
<b>WALL SQUARE CORNER (2-DR) – 24" H</b>																				
WSC3924*	471	541	614	785	911	1113	622	738	750	870	789	907	863	906	1031	948	1080	1035	1206	1403
WSC4224*	487	563	641	823	951	1174	653	773	785	909	834	960	914	955	1089	1001	1141	1091	1272	1481
WSC4524*	502	583	668	858	996	1235	683	811	819	950	882	1013	963	1004	1146	1052	1201	1146	1340	1559
WSC4824*	517	605	695	895	1038	1291	714	846	855	990	928	1067	1013	1048	1204	1097	1262	1197	1399	1628

## Wall Square Corner & Wall Square Double-Entry Specifications



Cabinet Size	Actual Width "A"	Frame Opening Width
WSC24	24"	7-1/2"
WSC27	27"	10-1/2"
WSC30	30"	13-1/2"
WSC33	33"	16-1/2"
WSC36	36"	19-1/2"
WSC39	39"	22-1/2"
WSC42	42"	25-1/2"
WSC45	45"	28-1/2"
WSC48	48"	31-1/2"

- Maximum recommended pull is 3"
- Dimension "A" – Actual callout width and cabinet width
- Dimension "B" – Clearance between return cabinet and edge of door or drawer
  - Does not include depth of door, drawer or hardware on return cabinet
  - When cabinet is placed at callout width (dim. "A"), dimension "B" will be 2-1/2" for Traditional Overlays and 1-3/4" for Modified Overlays
- Right or Left orientation determined by specifying which side is voided
- Void covered with a 1/4" panel on inside of cabinet
- 1" minimum filler required to allow adjacent cabinet door to clear door on square corner cabinet

# Wall Cabinets

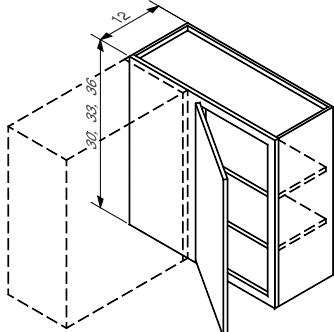
\* L or R required

## WALL SQUARE CORNER – 30", 33", & 36" H

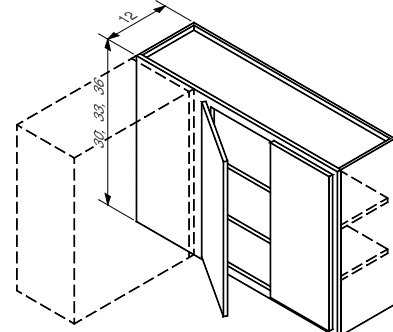
### MODIFICATION LIMITS

Width No Width Mods  
 Height 24-1/4" – 36"  
 Depth 6" – 24"

- Two adjustable shelves
- See chart/diagram on pg W-27 for specifications
- Right or Left determined by side voided
- Blind area not finished



WSC1DR



WSC2DR

WSC1DR		
30" Tall	33" Tall	36" Tall
WSC2430*	WSC2433*	WSC2436*
WSC2730*	WSC2733*	WSC2736*
WSC3030*	WSC3033*	WSC3036*
WSC3330*	WSC3333*	WSC3336*
WSC3630*	WSC3633*	WSC3636*

WSC2DR		
30" Tall	33" Tall	36" Tall
WSC3930*	WSC3933*	WSC3936*
WSC4230*	WSC4233*	WSC4236*
WSC4530*	WSC4533*	WSC4536*
WSC4830*	WSC4833*	WSC4836*

	C0	C1	C2	C4	C4A	C5	C7	C7A	C9	C9A	C10	C10A	C11	C12	C12A	C13	C13A	C14	C15	C16
<b>WALL SQUARE CORNER (1-DR) – 30" H</b>																				
WSC2430*	383	410	443	548	626	746	438	509	524	599	543	621	590	611	690	639	722	695	807	936
WSC2730*	399	434	473	590	675	821	473	551	565	644	585	663	650	670	758	700	794	763	889	1031
WSC3030*	416	458	504	633	722	894	509	594	605	690	639	726	707	729	826	763	865	831	968	1124
WSC3330*	431	482	536	677	772	968	544	636	646	738	695	789	767	789	894	826	936	899	1048	1218
WSC3630*	448	505	566	717	823	1041	580	678	685	785	750	851	826	848	962	889	1007	968	1128	1311
<b>WALL SQUARE CORNER (2-DR) – 30" H</b>																				
WSC3930*	514	595	678	873	1013	1260	695	823	834	967	894	1028	982	1024	1169	1074	1225	1170	1367	1591
WSC4230*	531	619	711	916	1062	1335	731	865	875	1014	950	1091	1041	1084	1236	1136	1296	1240	1447	1684
WSC4530*	546	643	741	960	1113	1399	767	907	916	1062	1006	1153	1101	1136	1304	1191	1367	1299	1518	1767
WSC4830*	563	667	772	1002	1160	1474	802	950	957	1107	1060	1216	1160	1196	1372	1253	1438	1367	1598	1861
<b>WALL SQUARE CORNER (1-DR) – 33" H</b>																				
WSC2433*	397	424	458	568	648	777	455	527	543	621	563	643	614	636	717	665	751	724	841	975
WSC2733*	412	449	490	612	700	855	492	572	585	668	609	690	677	697	789	729	826	795	926	1074
WSC3033*	429	473	522	656	750	933	529	616	628	717	667	756	738	760	862	795	902	867	1009	1172
WSC3333*	446	499	555	702	802	1011	566	661	672	767	724	823	801	823	933	862	977	938	1094	1272
WSC3633*	461	522	587	746	853	1087	604	706	712	816	782	889	863	885	1004	928	1052	1011	1177	1369
<b>WALL SQUARE CORNER (2-DR) – 33" H</b>																				
WSC3933*	531	616	704	907	1050	1313	722	855	867	1002	933	1070	1024	1067	1216	1118	1275	1219	1425	1657
WSC4233*	548	641	736	951	1102	1392	760	899	909	1052	990	1136	1087	1130	1289	1184	1350	1292	1509	1757
WSC4533*	565	667	768	997	1153	1465	797	943	951	1101	1050	1202	1150	1189	1360	1247	1426	1360	1589	1852
WSC4833*	582	690	801	1041	1206	1543	834	987	994	1150	1107	1269	1211	1252	1431	1313	1501	1431	1674	1949
<b>WALL SQUARE CORNER (1-DR) – 36" H</b>																				
WSC2436*	409	438	473	587	670	807	470	546	561	641	582	665	638	660	745	690	780	751	873	1014
WSC2736*	426	463	507	633	724	887	509	592	605	692	631	716	704	724	819	758	858	826	962	1116
WSC3036*	443	488	541	680	777	970	548	638	650	743	692	785	768	790	895	828	938	902	1050	1219
WSC3336*	460	514	573	728	831	1052	587	685	695	794	753	855	833	856	970	897	1016	977	1140	1325
WSC3636*	475	539	607	773	884	1131	626	731	739	845	814	924	899	921	1045	965	1094	1052	1226	1426
<b>WALL SQUARE CORNER (2-DR) – 36" H</b>																				
WSC3936*	548	636	728	940	1087	1365	748	885	897	1038	970	1113	1067	1109	1264	1162	1325	1269	1481	1723
WSC4236*	565	663	762	985	1141	1448	787	931	941	1089	1031	1182	1131	1175	1340	1231	1404	1345	1570	1828
WSC4536*	582	689	795	1033	1194	1530	826	977	985	1140	1092	1252	1197	1241	1416	1301	1484	1420	1660	1935
WSC4836*	599	714	829	1079	1250	1613	865	1024	1029	1192	1153	1321	1262	1308	1491	1370	1564	1496	1749	2037

# Wall Cabinets

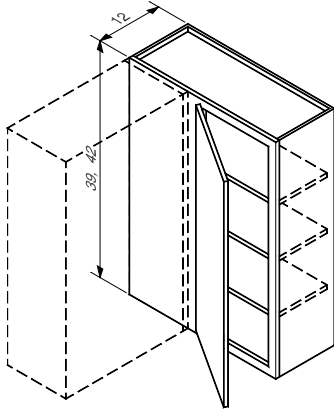
\* L or R required

## WALL SQUARE CORNER – 39" & 42" H

### MODIFICATION LIMITS

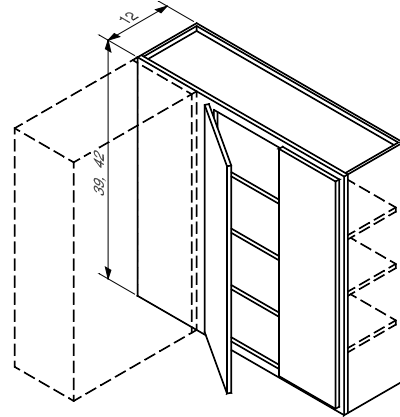
Width No width mods  
 Height 36-1/4" – 48"  
 Depth 6" – 24"

- Three adjustable shelves
- See chart/diagram on pg W-27 for specifications
- Right or Left determined by side voided
- Blind area not finished



WSC1DR

39" Tall	42" Tall
WSC2439*	WSC2442*
WSC2739*	WSC2742*
WSC3039*	WSC3042*
WSC3339*	WSC3342*
WSC3639*	WSC3642*



WSC1DR

39" Tall	42" Tall
WSC3939*	WSC3942*
WSC4239*	WSC4242*
WSC4539*	WSC4542*
WSC4839*	WSC4842*

	C0	C1	C2	C4	C4A	C5	C7	C7A	C9	C9A	C10	C10A	C11	C12	C12A	C13	C13A	C14	C15	C16
<b>WALL SQUARE CORNER (1-DR) – 39" H</b>																				
WSC2439*	427	458	495	619	706	855	492	572	592	675	612	700	675	697	787	729	824	795	924	1074
WSC2739*	444	483	531	668	763	940	534	621	639	729	665	753	746	767	867	802	909	875	1019	1184
WSC3039*	461	510	566	717	819	1028	575	670	685	784	731	828	816	838	948	877	994	957	1114	1294
WSC3339*	478	538	600	767	877	1116	616	719	733	838	795	902	884	907	1029	951	1079	1036	1209	1406
WSC3639*	494	563	636	816	933	1201	658	768	780	892	862	977	955	977	1109	1024	1162	1116	1303	1515
<b>WALL SQUARE CORNER (2-DR) – 39" H</b>																				
WSC3939*	573	667	763	994	1150	1452	787	931	950	1097	1026	1177	1136	1179	1343	1235	1409	1348	1576	1833
WSC4239*	590	695	799	1045	1208	1540	829	980	997	1152	1092	1252	1206	1250	1425	1309	1494	1430	1671	1945
WSC4539*	607	721	834	1094	1264	1626	870	1029	1043	1206	1157	1325	1275	1319	1506	1384	1579	1509	1766	2059
WSC4839*	624	748	870	1141	1323	1716	912	1079	1091	1262	1223	1399	1345	1391	1586	1459	1664	1593	1861	2169
<b>WALL SQUARE CORNER (1-DR) – 42" H</b>																				
WSC2442*	444	477	516	650	739	901	514	597	621	707	643	734	712	734	829	768	868	838	975	1133
WSC2742*	461	504	553	702	801	992	558	648	672	765	699	790	787	809	914	846	958	923	1075	1250
WSC3042*	478	533	590	755	862	1085	602	700	721	823	768	870	862	884	1001	926	1048	1009	1177	1369
WSC3342*	495	560	628	806	923	1179	644	753	770	880	838	950	934	958	1087	1004	1140	1094	1277	1486
WSC3642*	512	587	665	858	982	1270	689	804	819	938	907	1029	1009	1033	1172	1082	1228	1180	1377	1603
<b>WALL SQUARE CORNER (2-DR) – 42" H</b>																				
WSC3942*	597	697	799	1048	1213	1538	826	977	1001	1157	1082	1240	1204	1248	1423	1308	1492	1428	1669	1944
WSC42*42*	614	726	836	1102	1272	1632	870	1028	1052	1214	1152	1319	1279	1323	1509	1387	1582	1515	1769	2061
WSC4542*	631	753	873	1153	1333	1723	914	1080	1101	1272	1221	1398	1353	1398	1594	1465	1672	1599	1871	2181
WSC4842*	648	780	911	1204	1394	1818	958	1133	1150	1330	1291	1477	1428	1474	1681	1545	1762	1688	1972	2300

# Wall Cabinets

\* L or R required

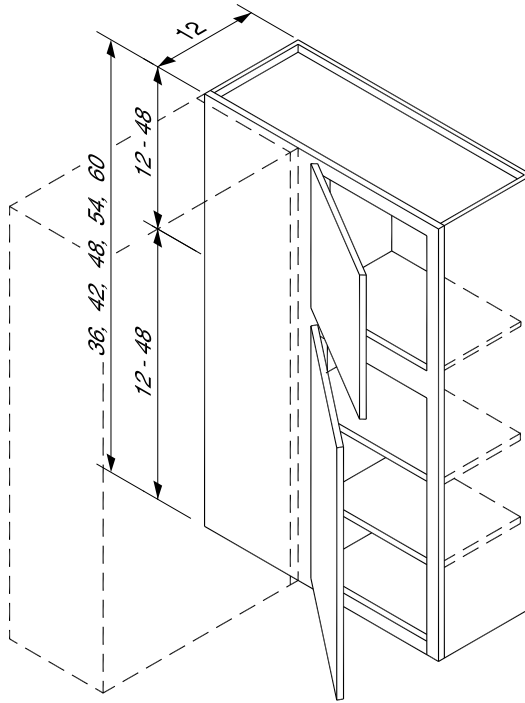
## WALL SQUARE CORNER STACKED DOORS

### MODIFICATION LIMITS

Width No Width Mods  
 Height 24" – 66"  
 Depth 6" – 24"

- 1/2" fixed mid-shelf and 3" tall fixed mid rail between upper and lower doors
- On Modified and Traditional styles, doors will overlay mid rail 1/2" resulting in a 2" space between stacked doors
- Location and height of upper and lower doors will match cabinets of same callout height
- See chart/diagram on pg W-27 for specifications
- Right or Left determined by side voided
- Blind area not finished

Upper or Lower Section Height	Qty of Adj. Shelves
12" – 18"	0
18-1/4" – 27"	1
27-1/4" – 36"	2
36-1/4" – 48"	3



WSSC2DR			WSSC2DR		
36" H	39" H	42" H	48" H	54" H	60" H
WSSC2436*	WSSC2439*	WSSC2442*	WSSC2448*	WSSC2454*	WSSC2460*
WSSC2736*	WSSC2739*	WSSC2742*	WSSC2748*	WSSC2754*	WSSC2760*
WSSC3036*	WSSC3039*	WSSC3042*	WSSC3048*	WSSC3054*	WSSC3060*
WSSC3336*	WSSC3339*	WSSC3342*	WSSC3348*	WSSC3354*	WSSC3360*
WSSC3636*	WSSC3639*	WSSC3642*	WSSC3648*	WSSC3654*	WSSC3660*

		HEIGHT OF UPPER SECTION												
		12	15	18	21	24	27	30	33	36	39	42	45	48
HEIGHT OF LOWER SECTION	12	24	27	30	33	<b>36</b>	<b>39</b>	<b>42</b>	45	<b>48</b>	51	<b>54</b>	57	<b>60</b>
	15	27	30	33	<b>36</b>	<b>39</b>	<b>42</b>	45	<b>48</b>	51	<b>54</b>	57	<b>60</b>	63
	18	30	33	<b>36</b>	<b>39</b>	<b>42</b>	45	<b>48</b>	51	<b>54</b>	57	<b>60</b>	63	66
	21	33	<b>36</b>	<b>39</b>	<b>42</b>	45	<b>48</b>	51	<b>54</b>	57	<b>60</b>	63	66	
	24	<b>36</b>	<b>39</b>	<b>42</b>	45	<b>48</b>	51	<b>54</b>	57	<b>60</b>	63	66		
	27	<b>39</b>	<b>42</b>	45	<b>48</b>	51	<b>54</b>	57	<b>60</b>	63	66			
	30	<b>42</b>	45	<b>48</b>	51	<b>54</b>	57	<b>60</b>	63	66				
	33	45	<b>48</b>	51	<b>54</b>	57	<b>60</b>	63	66					
	36	<b>48</b>	51	<b>54</b>	57	<b>60</b>	63	66						
	39	51	<b>54</b>	57	<b>60</b>	63	66							
	42	<b>54</b>	57	<b>60</b>	63	66								
	45	57	<b>60</b>	63	66									
48	<b>60</b>	63	66											

- Use chart to determine overall cabinet height by combining upper and lower section heights
- **Bold** heights are standard
- Light grey heights require height modification

# Wall Cabinets

\* L or R required

	C0	C1	C2	C4	C4A	C5	C7	C7A	C9	C9A	C10	C10A	C11	C12	C12A	C13	C13A	C14	C15	C16
<b>SQ. CORNER (2-DR) STACK – 36" H</b>																				
WSSC2436-__*	1019	1063	1114	1280	1409	1593	1107	1223	1243	1365	1274	1399	1338	1375	1501	1420	1552	1511	1691	1898
WSSC2736-__*	1050	1104	1165	1348	1481	1701	1162	1287	1308	1433	1342	1470	1426	1464	1603	1515	1660	1613	1810	2037
WSSC3036-__*	1077	1141	1213	1413	1565	2128	1216	1352	1369	1515	1413	1548	1515	1806	1708	1874	1769	2006	2271	2576
WSSC3336-__*	1107	1179	1260	1481	1637	1925	1457	1416	1433	1582	1494	1643	1606	1643	1810	1701	1877	1816	2054	2322
WSSC3636-__*	1135	1219	1504	1545	1633	2027	1325	1481	1494	1579	1579	1738	1694	1725	1911	1786	1983	1911	2162	2447
<b>SQ. CORNER (2-DR) STACK – 39" or 42" H</b>																				
WSSC24__-__*	1050	1096	1150	1326	1462	1654	1141	1264	1286	1414	1318	1452	1386	1425	1557	1472	1611	1567	1757	1974
WSSC27__-__*	1082	1138	1202	1398	1538	1769	1199	1331	1353	1487	1389	1528	1479	1518	1665	1570	1725	1674	1883	2122
WSSC30__-__*	1111	1179	1253	1465	1623	2045	1257	1399	1418	1569	1464	1608	1572	1740	1776	1805	1840	1930	2183	2473
WSSC33__-__*	1141	1218	1304	1537	1701	2005	1408	1469	1486	1643	1550	1708	1669	1708	1883	1769	1954	1891	2140	2424
WSSC36__-__*	1170	1260	1453	1604	1740	2113	1372	1537	1550	1681	1640	1808	1762	1794	1991	1859	2066	1991	2256	2558
"__ - __" Specify overall height & lower section height																				
<b>SQ. CORNER (2-DR) STACK – 48" H</b>																				
WSSC2448-__*	1084	1133	1191	1379	1521	1733	1182	1311	1336	1472	1370	1511	1450	1489	1632	1540	1689	1642	1844	2076
WSSC2748-__*	1114	1177	1247	1455	1606	1862	1245	1386	1409	1552	1447	1589	1554	1593	1750	1649	1815	1760	1984	2240
WSSC3048-__*	1145	1219	1301	1530	1696	2149	1308	1460	1481	1638	1537	1691	1655	1823	1871	1891	1940	2025	2295	2603
WSSC3348-__*	1175	1262	1357	1608	1781	2122	1464	1535	1554	1720	1633	1801	1760	1801	1989	1867	2066	1998	2266	2569
WSSC3648-__*	1206	1306	1509	1681	1830	2246	1433	1610	1623	1766	1730	1911	1864	1901	2108	1972	2190	2115	2400	2725
<b>SQ. CORNER (2-DR) STACK – 54" H</b>																				
WSSC2454-__*	1109	1160	1221	1418	1565	1794	1214	1348	1374	1515	1409	1555	1498	1538	1686	1591	1747	1698	1910	2154
WSSC2754-__*	1141	1206	1280	1498	1655	1928	1280	1426	1450	1599	1492	1642	1608	1647	1811	1706	1879	1823	2057	2325
WSSC3054-__*	1172	1250	1338	1577	1750	2225	1347	1504	1525	1691	1589	1750	1716	1884	1940	1955	2013	2096	2376	2698
WSSC3354-__*	1204	1294	1394	1659	1840	2205	1506	1584	1603	1776	1691	1867	1827	1869	2066	1939	2145	2076	2357	2676
WSSC3654-__*	1233	1340	1550	1737	1891	2335	1479	1662	1677	1825	1794	1984	1937	1974	2191	2049	2276	2198	2498	2841
<b>SQ. CORNER (2-DR) STACK – 60" H</b>																				
WSSC2460-__*	1145	1199	1264	1481	1635	1888	1258	1399	1433	1581	1470	1625	1572	1613	1771	1669	1835	1784	2011	2273
WSSC2760-__*	1177	1247	1326	1567	1732	2034	1330	1482	1516	1672	1560	1716	1691	1732	1906	1794	1979	1920	2171	2459
WSSC3060-__*	1208	1294	1387	1652	1835	2340	1401	1567	1596	1771	1665	1835	1810	1978	2045	2054	2123	2203	2503	2848
WSSC3360-__*	1240	1340	1448	1737	1932	2332	1564	1652	1677	1862	1776	1962	1928	1971	2183	2045	2269	2193	2495	2837
WSSC3660-__*	1270	1387	1608	1822	1989	2474	1542	1735	1757	1918	1888	2089	2047	2086	2318	2166	2410	2327	2649	3017
"__" Specify height of lower section																				

# Wall Cabinets

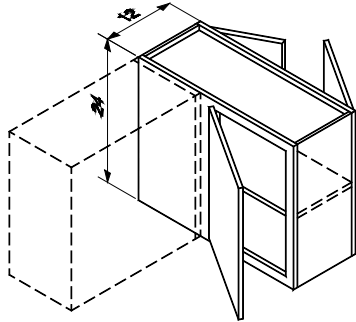
\* L or R required

## WALL SQUARE CORNER DOUBLE-ENTRY – 24" H

### MODIFICATION LIMITS

Width No Width Mods  
 Height 18-1/4" – 27"  
 Depth 9" – 24"

- One adjustable shelf
- See chart/diagram on pg W-27 for specifications
- Right or Left determined by side voided
- Blind area not finished



WSCDE2DR  
 24" H  
 WSCDE2424\*

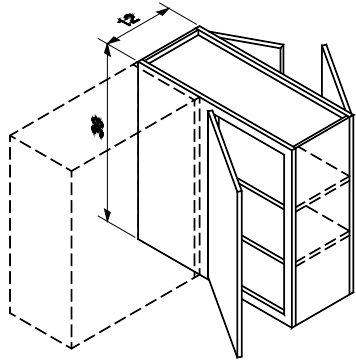
WSCDE3DR  
 24" H  
 WSCDE2424DD\*  
 WSCDE2724\*  
 WSCDE3024\*  
 WSCDE3324\*  
 WSCDE3624\*

## WALL SQUARE CORNER DOUBLE-ENTRY – 30" H

### MODIFICATION LIMITS

Width No Width Mods  
 Height 27-1/4" – 36"  
 Depth 9" – 24"

- Two adjustable shelves



WSCDE2DR  
 30" H  
 WSCDE2430\*

WSCDE3DR  
 30" H  
 WSCDE2430DD\*  
 WSCDE2730\*  
 WSCDE3030\*  
 WSCDE3330\*  
 WSCDE3630\*



# Wall Cabinets

\* L or R required

	C0	C1	C2	C4	C4A	C5	C7	C7A	C9	C9A	C10	C10A	C11	C12	C12A	C13	C13A	C14	C15	C16
<b>SQ. CORNER DBL-ENTRY (2-DR) – 24" H</b>																				
WSCDE2424	488	573	658	875	1014	1270	675	802	836	968	875	1006	990	1033	1177	1082	1233	1180	1377	1603
<b>SQ. CORNER DBL-ENTRY (3-DR) – 24" H</b>																				
WSCDE2424DD	514	614	712	955	1114	1389	733	875	912	1063	951	1099	1075	1128	1289	1182	1352	1289	1504	1750
WSCDE2724	524	639	751	1021	1197	1491	777	933	975	1143	1014	1177	1146	1209	1386	1267	1452	1384	1616	1883
WSCDE3024	543	856	794	1082	1267	1599	828	992	1033	1209	1096	1270	1235	1297	1487	1360	1559	1484	1735	2022
WSCDE3324	570	802	845	1152	1347	1718	885	1060	1099	1284	1184	1372	1330	1392	1596	1460	1674	1594	1864	2173
WSCDE3624	595	746	894	1219	1425	1835	941	1128	1163	1358	1272	1472	1423	1487	1704	1559	1788	1703	1991	2322

	C0	C1	C2	C4	C4A	C5	C7	C7A	C9	C9A	C10	C10A	C11	C12	C12A	C13	C13A	C14	C15	C16
<b>SQ. CORNER DBL-ENTRY (2-DR) – 30" H</b>																				
WSCDE2430	529	629	728	975	1131	1445	756	895	931	1080	996	1143	1130	1174	1338	1230	1403	1342	1569	1827
<b>SQ. CORNER DBL-ENTRY (3-DR) – 30" H</b>																				
WSCDE2430DD	555	672	785	1062	1236	1576	817	974	1014	1180	1080	1247	1225	1279	1460	1340	1531	1462	1708	1989
WSCDE2730	565	699	829	1133	1328	1688	865	1038	1082	1267	1152	1335	1304	1369	1567	1435	1643	1567	1832	2135
WSCDE3030	585	734	879	1208	1409	1818	926	1109	1152	1345	1250	1447	1409	1474	1689	1545	1771	1688	1972	2300
WSCDE3330	600	770	931	1280	1501	1937	985	1186	1221	1431	1338	1554	1494	1569	1801	1645	1889	1798	2101	2451
WSCDE3630	616	806	984	1352	1591	2054	1043	1262	1289	1518	1425	1659	1577	1664	1913	1745	2006	1906	2230	2602

# Wall Cabinets

\* L or R required

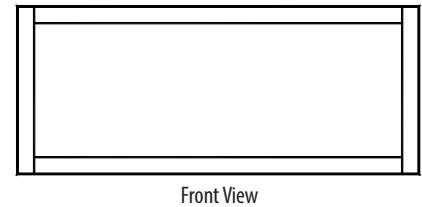
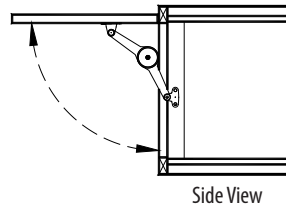
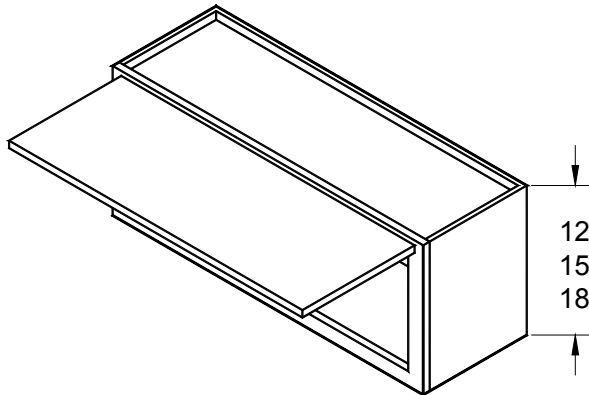
## WALL CABINET W/ LIDSTAY – 12", 15" & 18" H

### MODIFICATION LIMITS

Width 24-1/4" – 36"  
 Height 11" – 18"  
 Depth 6" – 24"

- Single hinged-top, full-width door and two lidstays
- Nickel-plated lidstay mechanism has friction brake that can be adjusted with an allen wrench
- Door opens to 90° with 13/16" clearance between face of door and top of cabinet (not including decorative hardware)

- Refer to door style page in General Section to determine if door will have double horizontal panel
- Use HINGETOP-LS option on standard side-hinged cabinet for lidstay on cabinets less than 24-1/4" W
- **Not available:** Inset or Beaded Inset



W1DRLS		
12" H	15" H	18" H
W2712LS	W2715LS	W2718LS
W3012LS	W3015LS	W3018LS
W3312LS	W3315LS	W3318LS
W3612LS	W3615LS	W3618LS

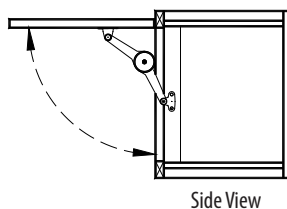
## HINGETOP W/LIDSTAY OPTION

### MODIFICATION LIMITS

Width 15" – 48"  
 Height \* 11" – 18"  
 Depth 6" – 24"  
 \* Height of door section

- Available on upper section of Wall and Tall cabinets
- Replace standard side-hinged door with hinged-top door and one lidstay
- Does not change the number of doors
- Nickel-plated lidstay mechanism has friction brake that can be adjusted with an allen wrench

- Door opens to 90° with 13/16" clearance between face of door and top of cabinet (not including decorative hardware)
- With some door style and size combinations factory may opt to install lidstays on both sides at no additional charge
- **Not available:** Inset or Beaded Inset



HINGETOP-LSL (Lift Mechanism on Left)  
 HINGETOP-LSR (Lift Mechanism on Right)

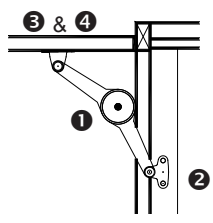
# Wall Cabinets

\* L or R required

	C0	C1	C2	C4	C4A	C5	C7	C7A	C9	C9A	C10	C10A	C11	C12	C12A	C13	C13A	C14	C15	C16
<b>WALL LIDSTAY - 12" H</b>				No vertical center divider, no adjustable shelf, 2 hinges, 2 lidstays. Use HINGETOP-LS option for cabinets less than 27" wide																
W2712LS	668	719	768	872	953	1035	770	841	853	931	860	921	885	926	997	948	1023	994	1084	1187
W3012LS	677	731	782	890	974	1062	785	858	870	950	873	945	909	948	1024	972	1052	1019	1113	1221
W3312LS	687	743	795	909	996	1094	801	877	889	970	892	970	933	974	1052	999	1080	1048	1148	1262
W3612LS	697	755	811	928	1016	1123	816	895	906	990	914	996	957	997	1079	1023	1109	1075	1180	1299
<b>WALL LIDSTAY - 15" H</b>				No vertical center divider, no adjustable shelf, 2 hinges, 2 lidstays. Use HINGETOP-LS option for cabinets less than 27" wide																
W2715LS	697	746	792	887	967	1074	802	875	868	943	899	963	931	958	1035	982	1063	1029	1128	1238
W3015LS	707	762	809	914	999	1116	823	897	894	974	928	997	962	990	1074	1016	1102	1068	1172	1291
W3315LS	717	775	828	941	1029	1157	841	921	919	1002	955	1029	994	1024	1111	1052	1143	1107	1218	1343
W3615LS	728	789	846	968	1060	1199	862	945	945	1033	982	1063	1024	1058	1150	1087	1184	1145	1264	1396
<b>WALL LIDSTAY - 18" H</b>				No vertical center divider, no adjustable shelf, 2 hinges, 2 lidstays. Use HINGETOP-LS option for cabinets less than 27" wide																
W2718LS	685	748	806	929	1018	1133	814	895	907	992	919	1002	965	1006	1091	1033	1121	1085	1191	1311
W3018LS	697	762	824	951	1045	1174	834	918	929	1018	950	1036	997	1038	1128	1067	1160	1123	1235	1364
W3318LS	707	777	841	975	1074	1213	855	941	951	1045	979	1070	1029	1070	1163	1099	1197	1158	1279	1414
W3618LS	717	790	858	999	1099	1253	875	965	974	1070	1007	1104	1062	1102	1201	1133	1236	1196	1321	1464

HINGETOP - LS OPTION	MSRP
HINGETOP-LSL (Left)	348 per door
HINGETOP-LSR (Right)	348 per door

LIDSTAY - LOOSE PARTS	MSRP	DESCRIPTION	DOOR TYPE USE
① DUOARM	81 ea	Lidstay Arm – Short	All applications
② DUOBRKT-C	10 ea	Lidstay Cabinet Bracket	All applications
③ DUOBRKT-DS	5 ea	Lidstay Door Bracket Standard	Traditional Overlay
④ DUOBRKT-DM	5 ea	Lidstay Door Bracket Modified Overlay	Modified Overlay



# Wall Cabinets

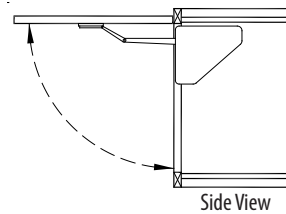
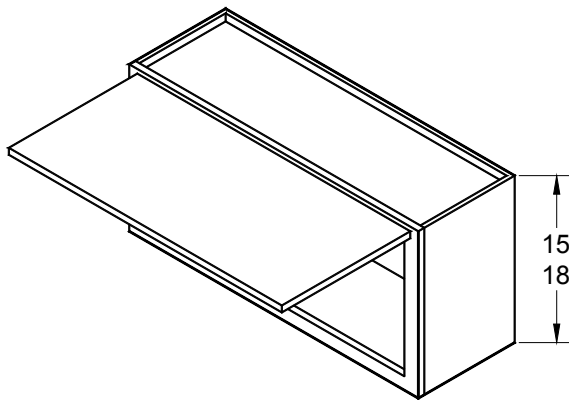
\* L or R required

## WALL CABINET W/ VERTICAL LIFT – 15" & 18" H

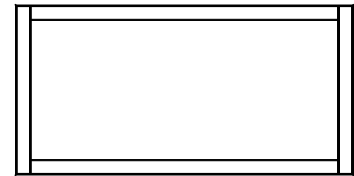
### MODIFICATION LIMITS

Width 24-1/4" – 48"  
 Height\*\* 13" – 18" (Inset: 15" min.)  
 Depth 9" – 24"  
 \*\*Two piston lifts when >15" – 18" H

- Single hinged-top, full-width doors with one or two piston lifts
- Specify Right or Left side when one lift
- Pistons assist upward motion to 90° open position with 1-1/4" (1-3/4" for Inset) clearance between face of door and top of cabinet (not including decorative hardware)
- Downward motion has inMotion soft close feature
- Available with Traditional & Modified overlays and Inset
- Refer to door style page in General Section to determine if door has double horizontal panel
- Max. width for solid wood door styles is 36"
- Use HINGETOP-VL option for vertical lifts on cabinets less than 24-1/4" W



Side View



Front View

### W1DRVL

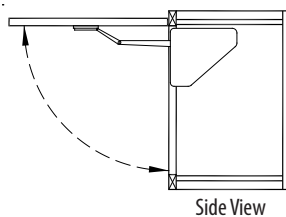
15" H	18" H
W2715VL*	W2718VL
W3015VL*	W3018VL
W3315VL*	W3318VL
W3615VL*	W3618VL
W3915VL	W3918VL
W4515VL	W4518VL
W4815VL	W4818VL

## HINGETOP WITH VERTICAL LIFT OPTION

### MODIFICATION LIMITS

Width 15" – 48"  
 Height\*\* 13" – 24" (Inset: 15" min.)  
 Depth 9" – 24"  
 \*\* Height of door section

- Available on upper section of Wall and Tall cabinets
- Replaces standard side-hinged door with hinged-top door, and one or two piston lifts
- Does not change number of doors
- Pistons assist upward motion to 90° open position with 1-1/4" (1-3/4" for Inset) clearance between face of door and top of cabinet (not including decorative hardware)
- Downward motion has inMotion soft close feature



Side View

HINGETOP-VLL (Lift Mechanism on Left)  
 HINGETOP-VLR (Lift Mechanism on Right)

# Wall Cabinets

\* L or R required

	C0	C1	C2	C4	C4A	C5	C7	C7A	C9	C9A	C10	C10A	C11	C12	C12A	C13	C13A	C14	C15	C16
<b>WALL VERTICAL LIFT - 15" H</b>																				
No vertical center divider, no adjustable shelf, 2 hinges, 1 piston lift - use HINGETOP-VL option for cabinets less than 27" wide																				
<b>W2715VL*</b>	736	785	831	926	1006	1113	841	914	907	982	938	1002	970	997	1074	1021	1102	1068	1167	1277
<b>W3015VL*</b>	746	801	848	953	1038	1155	862	936	933	1013	967	1036	1001	1029	1113	1055	1141	1107	1211	1330
<b>W3315VL*</b>	756	814	867	980	1068	1196	880	960	958	1041	994	1068	1033	1063	1150	1091	1182	1146	1257	1382
<b>W3615VL*</b>	767	828	885	1007	1099	1238	901	984	984	1072	1021	1102	1063	1097	1189	1126	1223	1184	1303	1435
No vertical center divider, no adjustable shelf, 3 hinges, 2 piston lift																				
<b>W3915VL</b>	1167	1231	1294	1425	1520	1669	1309	1398	1399	1491	1438	1526	1486	1521	1616	1552	1652	1613	1737	1879
<b>W4215VL</b>	1177	1247	1313	1450	1552	1711	1328	1421	1425	1520	1467	1560	1516	1555	1655	1587	1693	1652	1782	1932
<b>W4515VL</b>	1187	1260	1330	1477	1582	1754	1348	1443	1450	1550	1494	1594	1548	1587	1694	1621	1732	1689	1827	1984
<b>W4815VL</b>	1197	1274	1348	1504	1613	1794	1367	1467	1476	1579	1521	1628	1579	1621	1732	1657	1772	1728	1872	2037
<b>WALL VERTICAL LIFT - 18" H</b>																				
No vertical center divider, no adjustable shelf, 2 hinges, 2 piston lift																				
<b>W2718VL</b>	1089	1152	1209	1333	1421	1537	1218	1299	1311	1396	1323	1406	1369	1409	1494	1437	1525	1489	1594	1715
<b>W3018VL</b>	1101	1165	1228	1355	1448	1577	1238	1321	1333	1421	1353	1440	1401	1442	1531	1470	1564	1526	1638	1767
<b>W3318VL</b>	1111	1180	1245	1379	1477	1616	1258	1345	1355	1448	1382	1474	1433	1474	1567	1503	1601	1562	1682	1818
<b>W3618VL</b>	1121	1194	1262	1403	1503	1657	1279	1369	1377	1474	1411	1508	1465	1506	1604	1537	1640	1599	1725	1867
No vertical center divider, no adjustable shelf, 3 hinges, 2 piston lift																				
<b>W3918VL</b>	1177	1253	1325	1474	1579	1749	1342	1438	1447	1547	1487	1587	1543	1584	1689	1618	1728	1686	1822	1978
<b>W4218VL</b>	1189	1267	1342	1498	1606	1788	1360	1460	1469	1572	1516	1621	1576	1616	1727	1652	1767	1723	1866	2028
<b>W4518VL</b>	1199	1280	1360	1520	1633	1828	1381	1484	1491	1599	1547	1655	1606	1649	1762	1686	1805	1760	1908	2078
<b>W4818VL</b>	1209	1296	1377	1545	1660	1867	1401	1508	1515	1625	1576	1689	1638	1681	1799	1720	1844	1796	1952	2130

<b>HINGETOP - VL OPTION</b>	<b>MSRP</b>
<b>HINGETOP-VLL (Left)</b>	424 per door
<b>HINGETOP-VLR (Right)</b>	424 per door

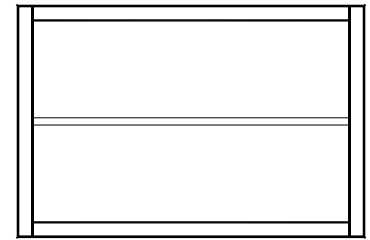
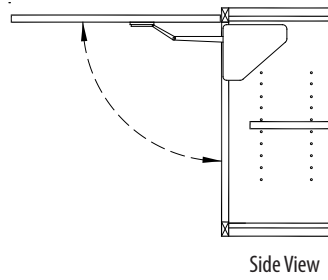
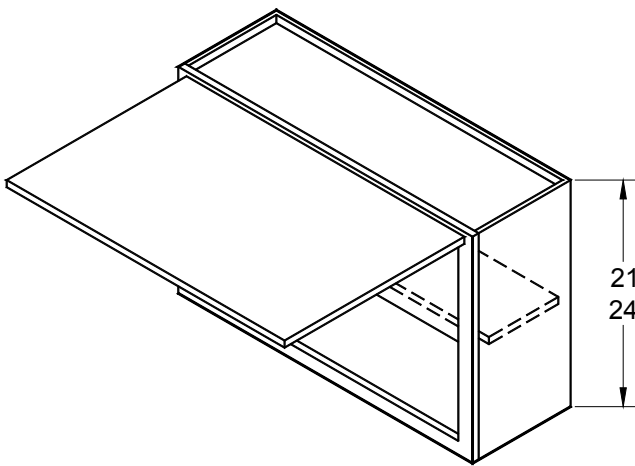
# Wall Cabinets

## WALL CABINET W/ VERTICAL LIFT – 21" & 24" H

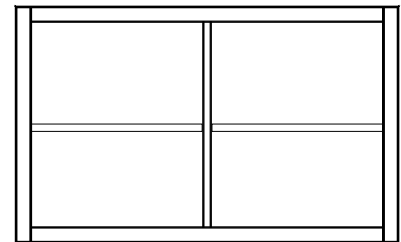
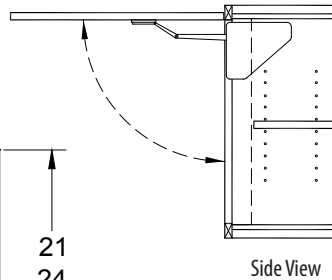
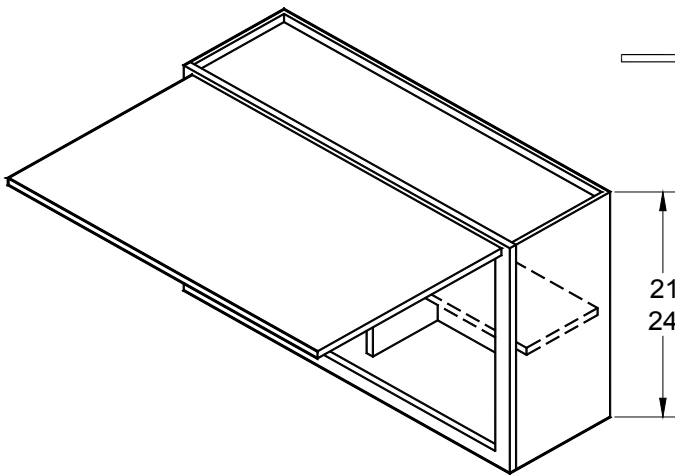
### MODIFICATION LIMITS

Width 24-1/4" – 48"  
 Height 18-1/4" – 24"  
 Depth 9" – 24"

- Single hinged-top, full-width doors and two piston lifts
- Pistons assist upward motion to 90° open position with 1-1/4" (1-3/4" for Inset) clearance between face of door and top of cabinet (not including decorative hardware)
- Downward motion has inMotion soft close feature
- Cabinets 36" and narrower have one 8-1/2" deep adjustable shelf
- Cabinets wider than 36" have an 8-3/4" deep vertical center divider and two 8-1/2" deep adjustable shelves
- Available with Traditional & Modified overlays and Inset
- Refer to door style page in General Section to determine if door has double horizontal panel
- Max. width for solid wood door styles is 36"
- Use HINGETOP-VL option for vertical lifts on cabinets less than 27" W



W1DRVL	
21" H	24" H
W2721VL	W2724VL
W3021VL	W3024VL
W3321VL	W3324VL
W3621VL	W3624VL



W1DRVL	
21" H	24" H
W3921VL	W3924VL
W4221VL	W4224VL
W4521VL	W4524VL
W4821VL	W4824VL

# Wall Cabinets

	C0	C1	C2	C4	C4A	C5	C7	C7A	C9	C9A	C10	C10A	C11	C12	C12A	C13	C13A	C14	C15	C16
<b>WALL VERTICAL LIFT - 21" H</b>																				
No vertical center divider, 1 reduced depth adjustable shelf, 2 hinges, 2 piston lifts - use HINGETOP-VL option for cabinets less than 27" wide																				
<b>W2721VL</b>	1111	1167	1231	1364	1455	1604	1248	1331	1342	1428	1375	1464	1426	1464	1555	1492	1589	1550	1669	1803
<b>W3021VL</b>	1123	1199	1270	1418	1520	1684	1289	1381	1392	1489	1430	1528	1487	1528	1630	1560	1667	1625	1755	1905
<b>W3321VL</b>	1135	1216	1292	1447	1554	1733	1313	1409	1420	1521	1467	1570	1526	1569	1676	1603	1715	1671	1810	1966
<b>W3621VL</b>	1146	1233	1313	1476	1587	1784	1338	1438	1447	1554	1503	1611	1567	1608	1721	1643	1764	1716	1862	2028
8-3/4" D vertical center divider, 2 reduced depth adjustable shelves (1 per side), 3 hinges, 2 piston lifts																				
<b>W3921VL</b>	1243	1333	1418	1591	1710	1925	1443	1552	1560	1672	1625	1740	1693	1733	1855	1772	1901	1852	2011	2193
<b>W4221VL</b>	1267	1364	1455	1640	1769	2001	1482	1599	1608	1728	1677	1801	1750	1794	1925	1837	1976	1922	2095	2290
<b>W4521VL</b>	1289	1394	1491	1691	1828	2076	1521	1645	1655	1784	1730	1862	1808	1855	1996	1900	2049	1993	2176	2386
<b>W4821VL</b>	1313	1423	1528	1740	1888	2152	1559	1693	1703	1840	1782	1925	1866	1916	2066	1964	2123	2062	2259	2481
<b>WALL VERTICAL LIFT - 24" H</b>																				
No vertical center divider, 1 reduced depth adjustable shelf, 2 hinges, 2 piston lifts. Use HINGETOP-VL option for cabinets less than 27" wide																				
<b>W2724VL</b>	1131	1213	1289	1445	1552	1733	1309	1404	1418	1520	1462	1564	1525	1567	1674	1601	1713	1671	1808	1966
<b>W3024VL</b>	1145	1231	1313	1479	1591	1793	1338	1440	1450	1557	1506	1615	1572	1615	1728	1652	1771	1725	1872	2040
<b>W3324VL</b>	1158	1252	1338	1513	1630	1850	1367	1474	1482	1594	1550	1665	1620	1662	1784	1701	1830	1779	1935	2115
<b>W3624VL</b>	1172	1270	1364	1547	1669	1910	1396	1508	1515	1632	1594	1715	1667	1710	1838	1750	1886	1833	2000	2190
8-3/4" D vertical center divider, 2 reduced depth adjustable shelves (1 per side), 3 hinges, 2 piston lifts																				
<b>W3924VL</b>	1275	1379	1477	1674	1805	2067	1511	1632	1638	1764	1728	1859	1806	1849	1988	1894	2040	1984	2167	2376
<b>W4224VL</b>	1289	1399	1503	1708	1844	2128	1540	1665	1671	1801	1772	1908	1854	1898	2044	1945	2100	2042	2234	2454
<b>W4524VL</b>	1311	1426	1535	1764	1908	2196	1576	1708	1725	1862	1825	1969	1923	1952	2123	2003	2183	2103	2307	2539
<b>W4824VL</b>	1316	1437	1552	1776	1923	2247	1598	1733	1737	1876	1862	2010	1949	1993	2152	2045	2213	2151	2361	2602

# Wall Cabinets

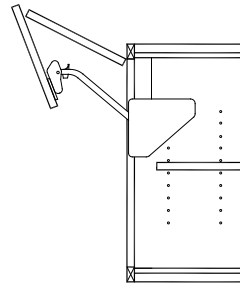
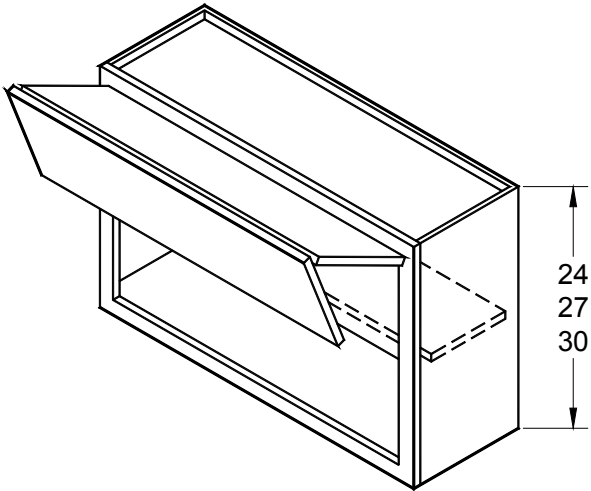
## WALL CABINET W/VERTICAL BIFOLD

### MODIFICATION LIMITS

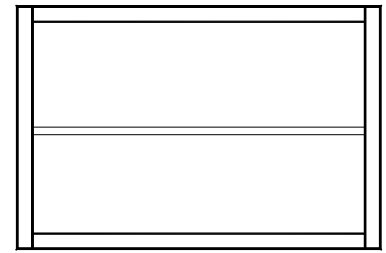
Width 24" – 48"  
 Height 24" – 30"  
 Depth 9" – 24"

**NOTE!** Care must be taken when disengaging lift arm from the door. It is under pressure, and may cause personal injury or damage to door if not handled carefully.

- Two full-width doors are hinged together at rails and open vertically with two bifold piston lifts
- Downward motion has inMotion soft close feature
- Fully raised doors extend above cabinet (approx.: 4" for 24" | 5" for 27" and 6" for 30" H cabinet)
- Allow proper clearance between cabinet and ceiling or other obstructions
- Cabinets 36" and narrower have one 8-1/2" deep adjustable shelf
- Cabinets wider than 36" have an 8-3/4" deep vertical center divider and two 8-1/2" deep adjustable shelves
- Refer to door style page in General Section to determine if door will have double horizontal panel
- Max. width for solid wood door styles is 36"
- **Not available:** Inset or Beaded Inset



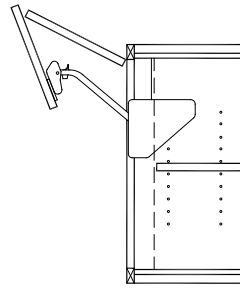
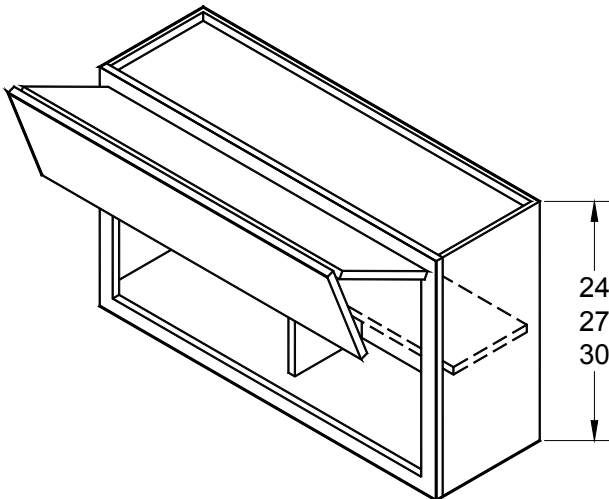
Side View



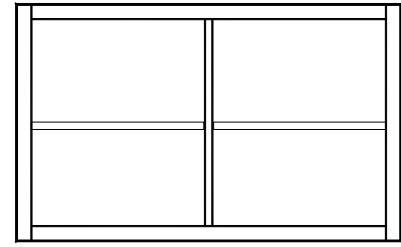
Front View

### W1DRVB

24" H	27" H	30" H
W2724VB	W2727VB	W2730VB
W3024VB	W3027VB	W3030VB
W3324VB	W3327VB	W3330VB
W3624VB	W3627VB	W3630VB



Side View



Front View

### W1DRVB

24" H	27" H	30" H
W3924VB	W3927VB	W3930VB
W4224VB	W4227VB	W4230VB
W4524VB	W4527VB	W4530VB
W4824VB	W4827VB	W4830VB



# Wall Cabinets

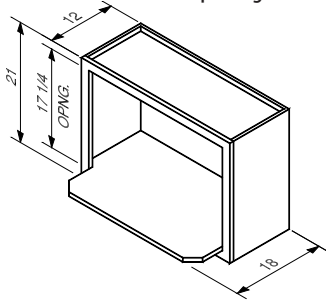
	C0	C1	C2	C4	C4A	C5	C7	C7A	C9	C9A	C10	C10A	C11	C12	C12A	C13	C13A	C14	C15	C16
<b>WALL VERTICAL BIFOLD - 24" H</b>																				
No vertical center divider, 1 adjustable shelf, 2 hinges, 2 bifold lifts																				
<b>W2724VB</b>	1287	1369	1445	1601	1708	1889	1465	1560	1574	1676	1618	1720	1681	1723	1830	1757	1869	1827	1964	2122
<b>W3024VB</b>	1301	1387	1469	1635	1747	1949	1494	1596	1606	1713	1662	1771	1728	1771	1884	1808	1927	1881	2028	2196
<b>W3324VB</b>	1314	1408	1494	1669	1786	2006	1523	1630	1638	1750	1706	1822	1776	1818	1940	1857	1986	1935	2091	2271
<b>W3624VB</b>	1328	1426	1520	1703	1825	2066	1552	1664	1671	1788	1750	1871	1823	1866	1994	1906	2042	1989	2156	2346
8-3/4" D vertical center divider, 2 reduced depth adjustable shelves (1 per side), 3 hinges, 2 piston lifts																				
<b>W3924VB</b>	1431	1535	1633	1830	1961	2223	1667	1788	1794	1920	1884	2015	1962	2005	2144	2050	2196	2140	2324	2532
<b>W4224VB</b>	1445	1555	1659	1864	2000	2285	1696	1822	1827	1957	1928	2064	2010	2054	2200	2101	2256	2198	2390	2610
<b>W4524VB</b>	1467	1582	1691	1920	2064	2352	1732	1864	1881	2018	1981	2125	2079	2108	2279	2159	2339	2259	2463	2695
<b>W4824VB</b>	1472	1593	1708	1932	2079	2403	1754	1889	1893	2032	2018	2166	2105	2149	2308	2201	2369	2307	2517	2758
<b>WALL VERTICAL BIFOLD - 27" H</b>																				
No vertical center divider, 1 adjustable shelf, 2 hinges, 2 bifold lifts																				
<b>W2727VB</b>	1308	1394	1476	1643	1757	1961	1499	1601	1615	1723	1669	1777	1738	1781	1896	1818	1939	1893	2042	2213
<b>W3027VB</b>	1323	1416	1503	1681	1801	2027	1531	1640	1650	1764	1718	1835	1791	1833	1957	1874	2003	1954	2113	2296
<b>W3327VB</b>	1336	1438	1531	1720	1845	2093	1565	1679	1688	1806	1769	1891	1845	1888	2020	1930	2069	2015	2186	2381
<b>W3627VB</b>	1352	1459	1560	1759	1889	2159	1596	1716	1723	1849	1818	1947	1898	1940	2081	1986	2132	2076	2257	2464
8-3/4" D vertical center divider, 2 reduced depth adjustable shelves (1 per side), 3 hinges, 2 bifold lifts																				
<b>W3927VB</b>	1460	1572	1679	1893	2032	2324	1718	1849	1854	1988	1961	2101	2045	2084	2240	2134	2298	2232	2432	2659
<b>W4227VB</b>	1476	1594	1708	1930	2078	2396	1750	1886	1891	2030	2010	2157	2100	2144	2303	2196	2364	2301	2512	2753
<b>W4527VB</b>	1494	1620	1738	1979	2134	2464	1786	1928	1939	2084	2064	2218	2164	2198	2376	2254	2441	2363	2585	2837
<b>W4827VB</b>	1506	1637	1764	2008	2166	2530	1815	1962	1964	2115	2110	2271	2206	2251	2425	2308	2491	2424	2654	2919
<b>WALL VERTICAL BIFOLD - 30" H</b>																				
No vertical center divider, 1 adjustable shelf, 2 hinges, 2 bifold lifts																				
<b>W2730VB</b>	1326	1420	1506	1686	1806	2032	1533	1642	1655	1769	1720	1835	1796	1838	1962	1879	2008	1959	2120	2303
<b>W3030VB</b>	1343	1443	1537	1727	1854	2103	1569	1684	1694	1815	1774	1898	1854	1896	2030	1939	2079	2025	2198	2395
<b>W3330VB</b>	1358	1467	1569	1771	1903	2179	1606	1727	1735	1862	1830	1961	1913	1957	2098	2003	2151	2095	2279	2490
<b>W3630VB</b>	1375	1491	1599	1813	1952	2251	1640	1769	1776	1908	1884	2023	1972	2015	2166	2064	2222	2161	2357	2581
8-3/4" D vertical center divider, 2 reduced depth adjustable shelves (1 per side), 3 hinges, 2 bifold lifts																				
<b>W3930VB</b>	1489	1610	1725	1954	2103	2422	1769	1908	1913	2056	2035	2186	2128	2164	2337	2217	2400	2324	2539	2785
<b>W4230VB</b>	1506	1633	1755	1996	2154	2508	1805	1950	1954	2103	2091	2249	2188	2234	2405	2291	2471	2405	2632	2893
<b>W4530VB</b>	1521	1657	1786	2039	2201	2576	1840	1993	1994	2149	2147	2312	2247	2288	2473	2347	2542	2466	2705	2978
<b>W4830VB</b>	1538	1681	1818	2083	2251	2656	1876	2035	2035	2196	2201	2376	2307	2352	2541	2415	2614	2541	2792	3080

# Wall Cabinets

## MICROWAVE SHELF

### MODIFICATION LIMITS

Width 18" – 36"  
 Height 15" – 30"  
 Depth 9" – 24"



- Finished interior (FMI)
- Inside of frame opening has eased edge
- Opening width: 3" less than cabinet width

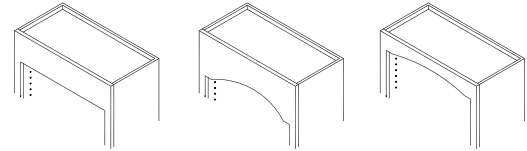
- Microwave shelf is 3/4" thick edge-taped material with front corners clipped 2"
- Shelf shipped loose

### MS

MS2421  
 MS2721  
 MS3021

### Optional Top Rail Valances

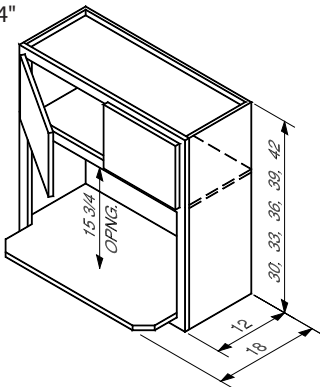
(See Modification section)



## MICROWAVE SHELF CABINET

### MODIFICATION LIMITS

Width 18" – 36" (Inset: 21" min.)  
 Height 30" – 48"  
 Depth 9" – 24"



- See notes above

- Height modifications made to door section
- Depth modification does not change 6" shelf overhang
- Number of adjustable shelves in upper section depends on height:  
 $30" - 36" = 0$  |  $36-1/4" - 48" = 1$

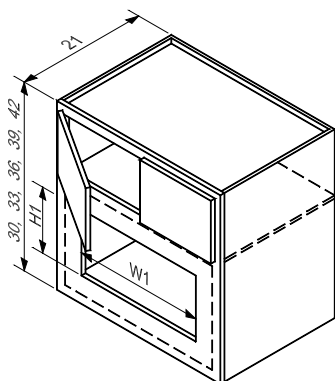
### MSC2DR

30" H	33" H	36" H	39" H	42" H
MSC2430DD	MSC2433DD	MSC2436DD	MSC2439DD	MSC2442DD
MSC2730	MSC2733	MSC2736	MSC2739	MSC2742
MSC3030	MSC3033	MSC3036	MSC3039	MSC3042
12" Upper Section	15" Upper Section	18" Upper Section	21" Upper Section	24" Upper Section

## MICROWAVE UNIVERSAL CABINET

### MODIFICATION LIMITS

Width 24" – 36"  
 Height 30" – 60"  
 Depth 12" – 24"



- Height modifications made to door section
- Exterior ends not finished
- Qty of adj. shelves in upper section depends on cabinet height:  $30" - 39" = 0$  |  $39-1/4" - 51" = 1$  |  $51-1/4" - 60" = 2$
- Standard opening will be minimum cutout dimensions (see charts below)
- Cutouts are centered vertically and horizontally
- Wide stiles and rails allow opening size to be

- enlarged in the field
- Removal of screws from back of frame may be required before cutting
- Oven shelf and cleats are tacked to exterior of cabinet end
- Custom factory cutouts are available, apply Custom Cutout Modification. See pg M-16 for CC1 specs and pricing, Minimum and maximum cutout dimensions listed below.

### MUC2DR

30" H	33" H	36" H	39" H	42" H
MUC2730X21	MUC2733X21	MUC2736X21	MUC2739X21	MUC2742X21
MUC3030X21	MUC3033X21	MUC3036X21	MUC3039X21	MUC3042X21
MUC3330X21	MUC3333X21	MUC3336X21	MUC3339X21	MUC3342X21
12" Upper Section	12" Upper Section	15" Upper Section	18" Upper Section	21" Upper Section

### Size Note:

- Minimum height for 33"H MUC is 33"
- For overall heights between 30" and 33" order 30" H cabinet and IH modification
- Minimum cutout dimensions represent existing opening size in oven panels

### MUC: 30"- 32-3/4" H

Opening	Existing & Min. Cutout	Max. Cutout
W1 (width)	Cab. Width - 9"	Cab. Width - 3"
H1 (height)	10-1/2"	16-1/2"

### MUC: 33"- 60" H

Opening	Existing & Min. Cutout	Max. Cutout
W1 (width)	Cab. Width - 9"	Cab. Width - 3"
H1 (height)	13-1/2"	19-1/2"

### CUSTOM CUTOUT MODIFICATION (CC1)

- Specify opening width (W1) and height (H1)
- Rails above and below the opening are made equal height

### MSRP

CC1

382

# Wall Cabinets

MICROWAVE SHELF – 21" H																				
MS2421	509	No Doors																		
MS2721	526																			
MS3021	543																			
C0	C1	C2	C4	C4A	C5	C7	C7A	C9	C9A	C10	C10A	C11	C12	C12A	C13	C13A	C14	C15	C16	
MICROWAVE SHELF CABINET – 30" H																				
MSC2430DD	466	551	626	753	799	975	661	704	719	763	734	773	746	795	823	833	862	907	1055	1226
MSC2730	495	583	661	795	841	1035	700	745	760	804	780	823	794	843	870	882	911	962	1121	1303
MSC3030	526	617	699	840	887	1099	743	787	802	846	829	875	845	894	921	936	965	1021	1191	1384
MICROWAVE SHELF CABINET – 33" - H																				
MSC2433DD	477	566	646	780	828	1058	685	729	745	790	768	809	784	862	860	902	901	984	1106	1286
MSC2733	507	600	683	826	873	1087	729	773	789	834	821	865	836	885	914	928	957	1011	1179	1370
MSC3033	538	636	724	873	921	1157	773	819	834	880	873	921	890	940	968	985	1016	1074	1253	1457
MICROWAVE SHELF CABINET – 36" - H																				
MSC2436DD	487	580	665	806	855	1140	709	755	770	816	801	845	819	928	895	972	938	1060	1157	1345
MSC2736	517	617	706	856	906	1140	756	802	817	865	860	906	877	928	957	972	1002	1060	1236	1438
MSC3036	548	653	748	906	955	1213	804	851	865	912	918	965	934	985	1016	1033	1065	1126	1314	1530
MICROWAVE SHELF CABINET – 39" - H																				
MSC2439DD	526	599	690	843	894	1169	743	790	806	853	850	895	870	950	950	996	996	1085	1226	1426
MSC2739	560	638	734	897	948	1211	794	841	856	906	914	962	934	985	1016	1031	1065	1126	1313	1528
MSC3039	594	675	778	951	1002	1292	845	894	907	958	979	1028	997	1050	1082	1099	1133	1199	1401	1630
MICROWAVE SHELF CABINET – 42" - H																				
MSC2442DD	565	617	716	880	933	1196	777	824	841	890	899	946	921	972	1004	1018	1052	1111	1296	1508
MSC2742	602	656	763	938	990	1282	831	880	895	946	968	1018	990	1041	1075	1091	1126	1191	1389	1616
MSC3042	639	695	809	996	1050	1370	885	936	950	1002	1038	1089	1060	1113	1146	1165	1201	1272	1486	1730
MICROWAVE UNIVERSAL CABINET – 30" H																				
MUC2730X21	589	677	755	894	938	1187	794	836	853	895	872	916	941	965	1014	1011	1063	1102	1240	1442
MUC3030X21	626	717	799	945	990	1257	843	887	902	946	931	975	996	1021	1072	1070	1123	1167	1313	1528
MUC3330X21	663	758	845	997	1045	1326	892	938	951	997	989	1035	1052	1077	1130	1128	1184	1231	1386	1613
MICROWAVE UNIVERSAL CABINET – 33" H																				
MUC2733X21	602	697	780	928	974	1235	826	870	885	929	916	960	977	1002	1053	1050	1104	1146	1289	1499
MUC3033X21	639	739	828	982	1029	1306	877	923	938	984	979	1024	1035	1062	1114	1113	1167	1213	1365	1589
MUC3333X21	678	780	875	1036	1085	1381	929	975	989	1036	1040	1087	1092	1121	1175	1174	1231	1282	1442	1679
MICROWAVE UNIVERSAL CABINET – 36" H																				
MUC2736X21	616	716	806	962	1009	1280	856	902	918	963	958	1004	1013	1040	1091	1089	1143	1189	1336	1555
MUC3036X21	653	760	855	1018	1068	1355	911	957	972	1019	1024	1072	1074	1101	1155	1153	1211	1258	1416	1649
MUC3336X21	692	802	904	1075	1126	1435	965	1013	1026	1075	1091	1138	1133	1163	1219	1219	1279	1331	1498	1743
MICROWAVE UNIVERSAL CABINET – 39" H																				
MUC2739X21	629	738	836	1004	1055	1338	895	943	958	1007	1016	1063	1058	1085	1141	1138	1196	1241	1396	1625
MUC3039X21	667	784	889	1065	1118	1418	953	1002	1016	1067	1087	1136	1123	1152	1209	1206	1267	1316	1482	1725
MUC3339X21	706	828	940	1126	1179	1503	1011	1062	1075	1126	1158	1209	1187	1219	1277	1277	1338	1394	1570	1828
MICROWAVE UNIVERSAL CABINET – 42" H																				
MUC2742X21	643	760	867	1046	1101	1394	934	984	999	1050	1072	1121	1104	1131	1191	1186	1248	1294	1455	1694
MUC3042X21	680	807	921	1111	1165	1481	996	1046	1060	1113	1148	1201	1172	1201	1262	1258	1323	1374	1547	1801
MUC3342X21	719	853	974	1177	1231	1569	1057	1109	1123	1175	1226	1280	1241	1274	1333	1335	1398	1457	1642	1913

# Wall Cabinets

\* L or R required

## WALL CORNER CABINET

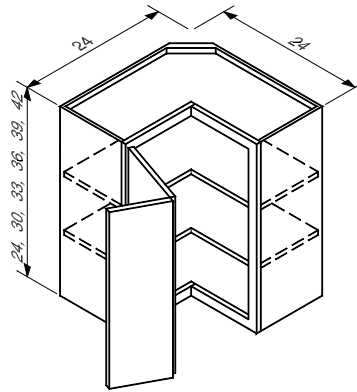
• Bi-fold hinged opens 170° from face of cabinet

• Concealed-IM, Soft Close hinge not available

### MODIFICATION LIMITS

Width No Width Mods  
 Height 12" – 48"  
 Depth No Depth Mods

Upper or Lower Section Height	Qty of Adjustable Shelves
18-1/4" – 27"	1
27-1/4" – 36"	2
36-1/4" – 48"	3



### WCC24

24" W x 12" D

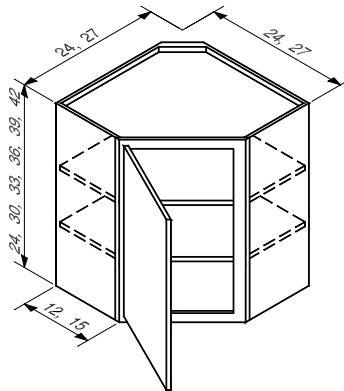
- WCC2424\*
- WCC2430\*
- WCC2433\*
- WCC2436\*
- WCC2439\*
- WCC2442\*

## WALL CORNER ANGLE

### MODIFICATION LIMITS

Width No Width Mods  
 Height 12" – 60"  
 Depth No Depth Mods

Upper or Lower Section Height	Qty of Adjustable Shelves
18-1/4" – 27"	1
27-1/4" – 36"	2
36-1/4" – 48"	3
48-1/4" – 60"	4



### WCA24

24" W x 12" D

- WCA2424\*
- WCA2430\*
- WCA2433\*
- WCA2436\*
- WCA2439\*
- WCA2442\*

### WCA27

27" W x 15" D

- WCA2724X15\*
- WCA2730X15\*
- WCA2733X15\*
- WCA2736X15\*
- WCA2739X15\*
- WCA2742X15\*

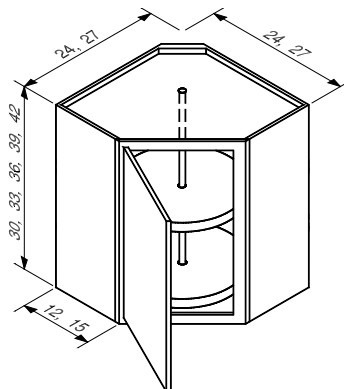
## WALL CORNER ANGLE LAZY SUSAN

• 18" diameter Lazy Susan available in white plastic (LS\_) or wood (LSW\_)

### MODIFICATION LIMITS

Width No Width Mods  
 Height 27" – 48"  
 Depth No Depth Mods

Upper or Lower Section Height	Qty of Lazy Susan Shelves
27" – 36"	2
36-1/4" – 48"	3



### WCALS24

24" W x 12" D

- WCA2430LS\*
- WCA2433LS\*
- WCA2436LS\*
- WCA2439LS\*
- WCA2442LS\*

### WCALS27

27" W x 15" D

- WCA2730X15LS\*
- WCA2733X15LS\*
- WCA2736X15LS\*
- WCA2739X15LS\*
- WCA2742X15LS\*

### WCALSW24

24" W x 12" D

- WCA2430LSW\*
- WCA2433LSW\*
- WCA2436LSW\*
- WCA2439LSW\*
- WCA2442LSW\*

### WCALSW27

27" W x 15" D

- WCA2730X15LSW\*
- WCA2733X15LSW\*
- WCA2736X15LSW\*
- WCA2739X15LSW\*
- WCA2742X15LSW\*

# Wall Cabinets

\* L or R required

	C0	C1	C2	C4	C4A	C5	C7	C7A	C9	C9A	C10	C10A	C11	C12	C12A	C13	C13A	C14	C15	C16
<b>WALL CORNER CABINET (DBL-HINGED DR)</b>																				
WCC2424*	390	451	514	661	770	928	519	617	633	736	656	763	716	756	862	792	902	863	1004	1167
WCC2430*	448	516	587	755	877	1070	594	706	721	838	751	867	829	872	994	912	1041	996	1160	1348
WCC2433*	458	529	602	777	902	1107	612	726	743	862	778	895	860	902	1028	945	1077	1029	1201	1396
WCC2436*	468	543	617	799	928	1145	629	746	763	885	804	924	889	931	1062	975	1113	1063	1240	1442
WCC2439*	500	578	656	855	992	1230	670	794	817	946	858	985	957	999	1138	1046	1192	1141	1331	1550
WCC2442*	531	612	695	911	1055	1313	711	841	870	1007	912	1046	1024	1067	1214	1118	1272	1219	1423	1657
<b>WALL CORNER ANGLE</b>																				
WCA2424*	361	377	399	485	553	638	388	449	465	529	482	548	502	522	587	546	614	594	689	797
WCA2430*	421	438	461	560	638	739	448	519	536	609	555	631	585	605	682	633	714	689	801	928
WCA2433*	432	449	475	577	656	765	461	534	551	626	572	650	604	626	704	655	736	712	828	960
WCA2436*	443	460	487	592	673	789	473	548	566	643	587	667	622	644	724	675	758	734	853	990
WCA2439*	473	492	519	634	721	846	505	583	607	689	629	714	668	690	777	722	812	787	916	1063
WCA2442*	504	522	550	677	767	902	536	619	646	733	670	760	714	736	828	770	867	840	977	1135
WCA2724X15*	439	458	487	594	678	785	473	550	568	650	589	673	616	641	721	670	755	729	848	984
WCA2730X15*	514	534	565	687	785	912	548	636	658	750	682	778	719	745	840	778	880	848	989	1148
WCA2733X15*	527	550	582	707	807	943	565	655	677	772	702	801	743	770	867	806	909	877	1023	1187
WCA2736X15*	541	563	597	728	829	974	580	673	695	792	721	823	767	794	894	831	936	906	1055	1226
WCA2739X15*	580	602	636	782	889	1045	619	717	746	848	773	880	824	851	958	890	1004	972	1133	1316
WCA2742X15*	617	641	675	834	946	1116	658	762	795	904	826	938	880	907	1023	950	1072	1038	1209	1406
<b>WALL CORNER ANGLE LAZY SUSAN - WHT PLASTIC</b>																				
WCA2430LS*	636	639	660	780	879	1007	633	728	745	840	772	872	801	821	921	860	965	936	1092	1270
WCA2433LS*	648	651	673	795	897	1033	644	743	760	856	789	889	821	841	943	880	989	960	1119	1301
WCA2436LS*	658	663	685	811	914	1057	656	756	775	873	804	906	840	860	965	901	1011	982	1145	1331
WCA2439LS*	729	733	755	894	1006	1163	722	831	853	962	885	997	926	946	1062	992	1113	1082	1262	1467
WCA2442LS*	801	801	823	975	1097	1270	787	904	931	1048	967	1089	1011	1033	1158	1082	1214	1180	1377	1603
WCA2730X15LS*	784	787	812	963	1085	1247	778	897	919	1038	955	1077	989	1014	1140	1063	1194	1158	1353	1576
WCA2733X15LS*	797	802	829	982	1109	1279	794	916	938	1060	974	1099	1014	1040	1167	1089	1223	1187	1387	1615
WCA2736X15LS*	811	817	845	1001	1131	1309	809	933	957	1080	992	1121	1038	1063	1194	1114	1252	1216	1420	1652
WCA2739X15LS*	901	904	931	1104	1247	1443	890	1026	1055	1189	1094	1235	1145	1172	1316	1228	1379	1340	1565	1822
WCA2742X15LS*	989	989	1016	1208	1360	1576	972	1118	1152	1297	1196	1347	1252	1279	1437	1340	1506	1464	1710	1991
<b>WALL CORNER ANGLE LAZY SUSAN - WOOD</b>																				
WCA2430LSW*	1068	1085	1109	1208	1286	1387	1096	1167	1184	1257	1202	1279	1233	1253	1330	1280	1362	1336	1448	1576
WCA2433LSW*	1080	1097	1123	1225	1304	1413	1109	1182	1199	1274	1219	1297	1252	1274	1352	1303	1384	1360	1476	1608
WCA2436LSW*	1196	1213	1240	1345	1426	1542	1226	1301	1319	1396	1340	1420	1375	1398	1477	1428	1511	1487	1606	1743
WCA2439LSW*	1440	1459	1486	1601	1688	1813	1472	1550	1574	1655	1596	1681	1635	1657	1743	1689	1779	1754	1883	2030
WCA2442LSW*	1470	1489	1516	1643	1733	1869	1503	1586	1613	1699	1637	1727	1681	1703	1794	1737	1833	1806	1944	2101
WCA2730X15LSW*	1162	1182	1213	1335	1433	1560	1196	1284	1306	1398	1330	1426	1367	1392	1487	1426	1528	1496	1637	1796
WCA2733X15LSW*	1175	1197	1230	1355	1455	1591	1213	1303	1325	1420	1350	1448	1391	1418	1515	1453	1557	1525	1671	1835
WCA2736X15LSW*	1294	1316	1350	1481	1582	1727	1333	1426	1448	1545	1474	1576	1520	1547	1647	1584	1689	1659	1808	1979
WCA2739X15LSW*	1547	1569	1603	1749	1855	2011	1586	1684	1713	1815	1740	1847	1791	1818	1925	1857	1971	1939	2100	2283
WCA2742X15LSW*	1584	1608	1642	1801	1913	2083	1625	1728	1762	1871	1793	1905	1847	1874	1989	1916	2039	2005	2176	2373

# Wall Cabinets

\*\*LL, LR, RL or RR required

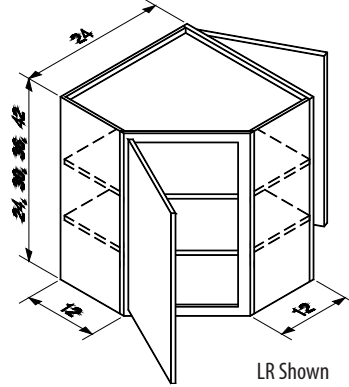
## WALL CORNER ANGLE DOUBLE-ENTRY

• See below for orientation and hinging

### MODIFICATION LIMITS

Width No Width Mods  
 Height 12" – 48"  
 Depth No Depth Mods

Upper or Lower Section Height	Qty of Adjustable Shelves
18-1/4" – 27"	1
27-1/4" – 36"	2
36-1/4" – 42"	3



### WCADE

24" W x 12" D  
 WCADE2424\*\*  
 WCADE2430\*\*  
 WCADE2433\*\*  
 WCADE2436\*\*  
 WCADE2439\*\*  
 WCADE2442\*\*

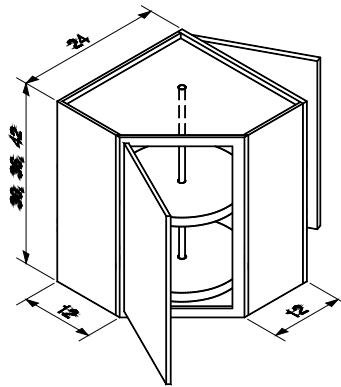
## WALL CORNER ANGLE DOUBLE-ENTRY LAZY SUSAN

• 18" diameter Lazy Susan available in white plastic (LS\_) or wood (LSW\_)

### MODIFICATION LIMITS

Width No Width Mods  
 Height 27" – 48"  
 Depth No Depth Mods

Upper or Lower Section Height	Qty of Lazy Susan Shelves
27" – 36"	2
36-1/4" – 48"	3



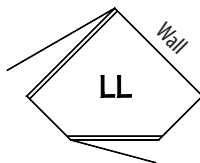
### WCADELS

24" W x 12" D  
 WCADE2430LS\*\*  
 WCADE2433LS\*\*  
 WCADE2436LS\*\*  
 WCADE2439LS\*\*  
 WCADE2442LS\*\*

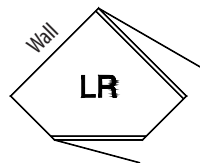
### WCADELSW

24" W x 12" D  
 WCADE2430LSW\*\*  
 WCADE2439LSW\*\*  
 WCADE2436LSW\*\*  
 WCADE2439LSW\*\*  
 WCADE2442LSW\*\*

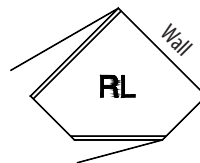
### WCADE Orientation & Hinging



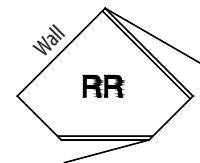
Left hinge front  
 Left hinge back



Left hinge front  
 Right hinge back



Right hinge front  
 Left hinge back



Right hinge front  
 Right hinge back

Primary Entry





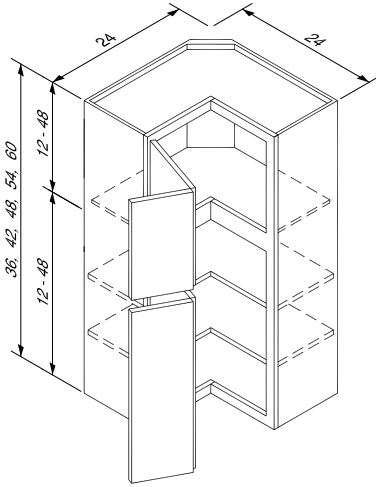
# Wall Cabinets

\* L or R required

## WALL CORNER STACKED DOOR CABINETS

### MODIFICATION LIMITS

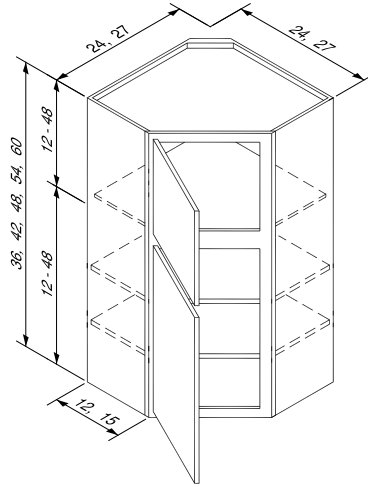
Width No Width Mods  
 Height 24" – 66"  
 Depth No Depth Mods



- 1/2" fixed mid-shelf and 3" tall fixed mid rail between upper and lower doors
- Doors overlay mid rail 1/2" resulting in a 2" space between stacked doors (except Inset)
- Location and height of upper and lower doors will match non-stacking cabinets of same callout height

- WCCS only: Bifold-hinged doors open 170° from face of cabinet
- WCCS only: Concealed-IM, Soft Close hinge not available

Upper or Lower Section Height	Qty of Adj. Shelves
12" – 18"	0
18-1/4" – 27"	1
27-1/4" – 36"	2
36-1/4" – 48"	3



### WCCS24

24" W x 12" D

WCCS2436*	WCCS2451*
WCCS2439*	WCCS2454*
WCCS2442*	WCCS2457*
WCCS2448*	WCCS2460*

### WCAS24

24" W x 12" D

WCAS2433*	WCAS2448*
WCAS2436*	WCAS2451*
WCAS2439*	WCAS2454*
WCAS2442*	WCAS2457*
WCAS2445*	WCAS2460*

### WCAS27

27" W x 15" D

WCAS2733*	WCAS2748*
WCAS2736*	WCAS2751*
WCAS2739*	WCAS2754*
WCAS2742*	WCAS2757*
WCAS2745*	WCAS2760*

## WALL CORNER ANGLE STACKED DOORS – LS

### MODIFICATION LIMITS

Width No Width Mods  
 Height 42" – 66"  
 Depth No Depth Mods

Upper or Lower Section Height	Qty of Lazy Susan Shelves
12" – 29-3/4"	0
30" – 36"	2
36-1/4" – 48"	3

- See notes above
- Lazy Susan shelves available in white plastic (LS\_) or wood (LSW\_)
- LS shelves require a 30" H section and will be mounted in lower section – LS will be mounted in upper section if lower section is less than 30" H

### WCAS24LS

24" W x 12" D

WCAS2439LS*	WCAS2451LS*
WCAS2442LS*	WCAS2454LS*
WCAS2445LS*	WCAS2457LS*
WCAS2448LS*	WCAS2460LS*

### WCAS24LSW

24" W x 12" D

WCAS2439LSW*	WCAS2451LSW*
WCAS2442LSW*	WCAS2454LSW*
WCAS2445LSW*	WCAS2457LSW*
WCAS2448LSW*	WCAS2460LSW*

### WCAS27LS

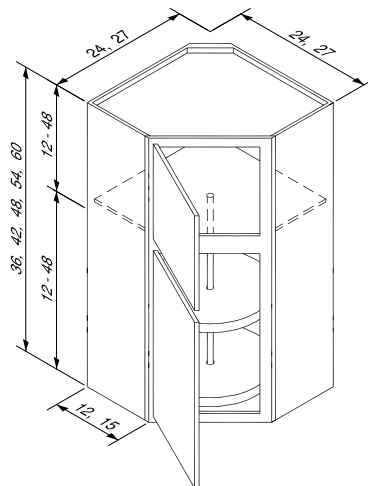
24" W x 15" D

WCAS2739LS*	WCAS2751LS*
WCAS2742LS*	WCAS2754LS*
WCAS2745LS*	WCAS2757LS*
WCAS2748LS*	WCAS2760LS*

### WCAS27LSW

24" W x 15" D

WCAS2739LSW*	WCAS2751LSW*
WCAS2742LSW*	WCAS2754LSW*
WCAS2745LSW*	WCAS2757LSW*
WCAS2748LSW*	WCAS2760LSW*





# Wall Cabinets

\* L or R required

	C0	C1	C2	C4	C4A	C5	C7	C7A	C9	C9A	C10	C10A	C11	C12	C12A	C13	C13A	C14	C15	C16
<b>WALL CORNER CABINET STACKED (WCCS)</b>																				
WCCS2436-__*	967	931	1026	1247	1409	1647	1033	1180	1204	1358	1240	1399	1328	1389	1547	1443	1608	1550	1760	2005
WCCS24(39&42)-__*	1024	1123	1226	1467	1643	1916	1235	1396	1420	1587	1462	1630	1569	1632	1806	1691	1874	1810	2044	2313
WCCS24(45&48)-__*	1045	1150	1257	1511	1694	1991	1270	1437	1462	1635	1515	1688	1628	1691	1874	1754	1945	1877	2123	2407
WCCS24(51&54)-__*	1143	1264	1384	1677	1888	2222	1401	1591	1620	1820	1677	1879	1808	1881	2089	1950	2171	2093	2374	2698
WCCS24(57&60)-__*	1206	1333	1462	1789	2015	2390	1482	1686	1727	1942	1786	2001	1944	2017	2242	2093	2330	2249	2558	2914
<b>WALL CORNER ANGLE STACKED (WCAS)</b>																				
WCAS24(33&36)-__*	924	946	980	1109	1211	1338	965	1057	1079	1175	1104	1204	1135	1165	1262	1201	1303	1272	1414	1577
WCAS24(39&42)-__*	984	1007	1043	1184	1296	1440	1024	1126	1150	1255	1177	1287	1218	1248	1357	1287	1403	1367	1526	1708
WCAS24(45&48)-__*	1006	1029	1068	1216	1331	1489	1050	1155	1180	1289	1209	1323	1255	1287	1399	1330	1447	1413	1579	1771
WCAS24(51&54)-__*	1096	1124	1167	1338	1470	1649	1146	1267	1297	1421	1330	1459	1381	1418	1547	1467	1601	1562	1752	1971
WCAS24(57&60)-__*	1157	1187	1230	1423	1564	1762	1209	1338	1377	1511	1413	1552	1472	1509	1650	1562	1710	1667	1876	2115
WCAS27(33&36)-__*	1041	1068	1113	1272	1399	1560	1092	1206	1235	1357	1265	1392	1306	1343	1464	1387	1515	1476	1654	1857
WCAS27(39&42)-__*	1116	1145	1191	1365	1506	1688	1167	1292	1325	1457	1358	1498	1409	1447	1582	1496	1640	1594	1794	2022
WCAS27(45&48)-__*	1143	1174	1223	1406	1550	1749	1199	1330	1362	1499	1398	1542	1457	1496	1637	1548	1696	1652	1861	2100
WCAS27(51&54)-__*	1252	1289	1343	1555	1720	1944	1316	1467	1503	1660	1543	1710	1610	1657	1816	1715	1884	1835	2073	2346
WCAS27(57&60)-__*	1328	1367	1421	1662	1837	2086	1394	1555	1603	1772	1649	1825	1723	1771	1945	1833	2020	1967	2227	2525
<b>LS - WHITE PLASTIC (WCAS-LS)</b>																				
WCAS24(39&42)LS_*	1199	1209	1241	1404	1537	1708	1209	1335	1358	1486	1394	1528	1433	1464	1596	1515	1654	1615	1818	2050
WCAS24(45&48)LS_*	1221	1233	1267	1435	1572	1757	1233	1364	1389	1520	1426	1562	1472	1503	1640	1555	1699	1660	1871	2112
WCAS24(51&54)LS_*	1311	1328	1365	1557	1711	1916	1330	1476	1506	1652	1547	1698	1598	1633	1788	1693	1854	1810	2044	2312
WCAS24(57&60)LS_*	1453	1465	1503	1721	1894	2130	1460	1623	1662	1827	1710	1881	1769	1806	1981	1874	2057	2008	2276	2583
WCAS27(39&42)LS_*	1391	1406	1448	1657	1830	2062	1406	1567	1601	1766	1647	1818	1706	1743	1915	1810	1989	1940	2203	2503
WCAS27(45&48)LS_*	1413	1428	1470	1679	1852	2084	1428	1589	1623	1788	1669	1840	1728	1766	1937	1832	2011	1962	2225	2525
WCAS27(51&54)LS_*	1521	1543	1591	1828	2022	2279	1545	1727	1764	1949	1815	2008	1881	1927	2117	1998	2200	2145	2437	2771
WCAS27(57&60)LS_*	1699	1715	1762	2035	2251	2546	1708	1911	1959	2166	2018	2234	2095	2142	2359	2223	2454	2393	2727	3110
<b>LSW - WOOD (WCAS_LSW)</b>																				
WCAS24(39&42)LSW_*	1772	1796	1832	1972	2084	2229	1813	1915	1939	2044	1966	2076	2006	2037	2145	2076	2191	2156	2315	2497
WCAS24(45&48)LSW_*	1794	1818	1857	2005	2120	2278	1838	1944	1969	2078	1998	2112	2044	2076	2188	2118	2235	2201	2368	2559
WCAS24(51&54)LSW_*	1884	1913	1955	2127	2259	2437	1935	2056	2086	2210	2118	2247	2169	2206	2335	2256	2390	2351	2541	2759
WCAS24(57&60)LSW_*	1945	1976	2018	2212	2352	2551	1998	2127	2166	2300	2201	2340	2261	2298	2439	2351	2498	2456	2664	2904
WCAS27(39&42)LSW_*	1905	1933	1979	2154	2295	2476	1955	2081	2113	2246	2147	2286	2198	2235	2371	2285	2429	2383	2583	2810
WCAS27(45&48)LSW_*	1932	1962	2011	2195	2339	2537	1988	2118	2151	2288	2186	2330	2246	2285	2425	2337	2485	2441	2649	2888
WCAS27(51&54)LSW_*	2040	2078	2132	2344	2508	2732	2105	2256	2291	2449	2332	2498	2398	2446	2605	2503	2673	2624	2861	3134
WCAS27(57&60)LSW_*	2117	2156	2210	2451	2625	2875	2183	2344	2391	2561	2437	2614	2512	2559	2734	2622	2809	2756	3015	3314

"\_\_" Specify overall height & lower section height

<b>HOW TO ORDER</b>					
Configuration	W	H	Lower Section H	* Swing	
WCCS	24	60	-	<u>36</u>	L
WCAS	24	60LS	-	<u>36</u>	L

- Use chart to determine overall cabinet height by combining upper and lower section heights
- **Bold** heights are standard
- Light grey heights require height modification

		<b>HEIGHT OF UPPER SECTION</b>												
		12	15	18	21	24	27	30	33	36	39	42	45	48
<b>HEIGHT OF LOWER SECTION</b>	12	24	27	30	33	<b>36</b>	<b>39</b>	<b>42</b>	45	<b>48</b>	51	<b>54</b>	57	<b>60</b>
	15	27	30	33	<b>36</b>	<b>39</b>	<b>42</b>	45	<b>48</b>	51	<b>54</b>	57	<b>60</b>	63
	18	30	33	<b>36</b>	<b>39</b>	<b>42</b>	45	<b>48</b>	51	<b>54</b>	57	<b>60</b>	63	66
	21	33	<b>36</b>	<b>39</b>	<b>42</b>	45	<b>48</b>	51	<b>54</b>	57	<b>60</b>	63	66	
	24	<b>36</b>	<b>39</b>	<b>42</b>	45	<b>48</b>	51	<b>54</b>	57	<b>60</b>	63	66		
	27	<b>39</b>	<b>42</b>	45	<b>48</b>	51	<b>54</b>	57	<b>60</b>	63	66			
	30	<b>42</b>	45	<b>48</b>	51	<b>54</b>	57	<b>60</b>	63	66				
	33	45	<b>48</b>	51	<b>54</b>	57	<b>60</b>	63	66					
	36	<b>48</b>	51	<b>54</b>	57	<b>60</b>	63	66						
	39	51	<b>54</b>	57	<b>60</b>	63	66							
	42	<b>54</b>	57	<b>60</b>	63	66								
	45	57	<b>60</b>	63	66									
48	<b>60</b>	63	66											

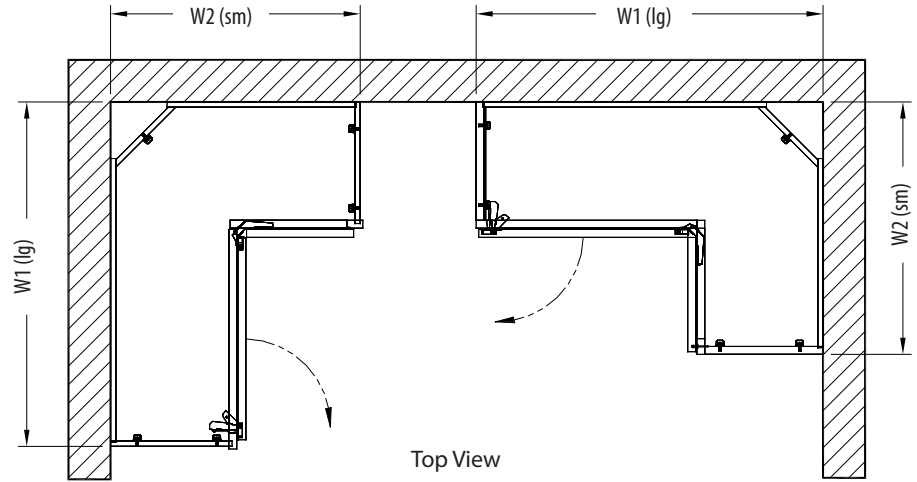
# Wall Cabinets

## ASYMMETRICAL CORNER CABINETS - HINGED LEFT

### Design note:

- 21" W side of cabinets: Doors will be slab when door style is Mitered, Applied Mldg or M&T w/3" stiles
- Roman door styles not recommended (door will be square on 21" W side only)
- Clipped Corner modifications not available

- Cabinets are hinged on the large door (see top view)
- Bifold-hinged door opens 170° from face of cabinet
- Sum of combined box face widths cannot exceed 30"
- Quantity of adjustable shelves determined by cabinet height (refer to chart below)



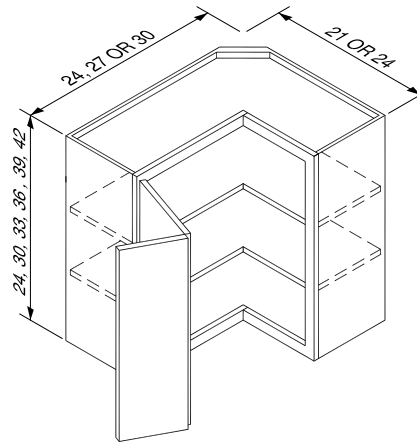
## WALL CORNER CABINET - ASYM - L

### MODIFICATION LIMITS

Width No Width Mods  
 Height 12" – 48"  
 Depth No Depth Mods

Cabinet Height	Qty of Adj. Shelves
12" – 18"	0
18-1/4" – 27"	1
27-1/4" – 36"	2
36-1/4" – 48"	3

Cabinet Width	Frame Width
21"	9"
24"	12"
27"	15"
30"	18"



# Wall Cabinets

	C0	C1	C2	C4	C4A	C5	C7	C7A	C9	C9A	C10	C10A	C11	C12	C12A	C13	C13A	C14	C15	C16
<b>ASYMMETRICAL WALL CORNER CABINET - 24" H</b>																				
WCC242421	390	451	514	661	770	928	519	617	633	736	656	763	716	756	862	792	902	863	1004	1167
WCC272421	390	451	514	661	770	928	519	617	633	736	656	763	716	756	862	792	902	863	1004	1167
WCC272424	499	565	631	787	902	1070	636	741	756	867	782	895	845	889	1001	926	1043	1002	1152	1325
WCC302421	499	565	631	787	902	1070	636	741	756	867	782	895	845	889	1001	926	1043	1002	1152	1325
WCC302424	524	592	663	829	951	1128	668	780	797	912	823	943	890	936	1055	975	1101	1057	1214	1398
<b>ASYMMETRICAL WALL CORNER CABINET - 30" H</b>																				
WCC243021	448	516	587	755	877	1070	594	706	721	838	751	867	829	872	994	912	1041	996	1160	1348
WCC273021	448	516	587	755	877	1070	594	706	721	838	751	867	829	872	994	912	1041	996	1160	1348
WCC273024	561	633	709	887	1016	1221	716	834	851	975	884	1006	967	1011	1141	1055	1191	1143	1318	1518
WCC303021	561	633	709	887	1016	1221	716	834	851	975	884	1006	967	1011	1141	1055	1191	1143	1318	1518
WCC303024	589	665	745	934	1072	1289	753	879	895	1028	929	1060	1018	1065	1202	1111	1257	1204	1391	1601
<b>ASYMMETRICAL WALL CORNER CABINET - 33" H</b>																				
WCC243321	458	529	602	777	902	1107	612	726	743	862	778	895	860	902	1028	945	1077	1029	1201	1396
WCC273321	458	529	602	777	902	1107	612	726	743	862	778	895	860	902	1028	945	1077	1029	1201	1396
WCC273324	572	648	724	911	1043	1262	736	856	873	1001	912	1036	999	1043	1177	1089	1230	1179	1360	1567
WCC303321	572	648	724	911	1043	1262	736	856	873	1001	912	1036	999	1043	1177	1089	1230	1179	1360	1567
WCC303324	600	680	762	958	1101	1331	773	902	921	1055	960	1092	1052	1101	1241	1148	1296	1243	1437	1655
<b>ASYMMETRICAL WALL CORNER CABINET - 36" H</b>																				
WCC243621	468	543	617	799	928	1145	629	746	763	885	804	924	889	931	1062	975	1113	1063	1240	1442
WCC273621	468	543	617	799	928	1145	629	746	763	885	804	924	889	931	1062	975	1113	1063	1240	1442
WCC273624	582	661	741	933	1070	1301	753	879	895	1026	940	1067	1029	1074	1213	1121	1267	1214	1403	1616
WCC303621	582	661	741	933	1070	1301	753	879	895	1026	940	1067	1029	1074	1213	1121	1267	1214	1403	1616
WCC303624	612	695	780	984	1128	1372	792	924	943	1080	989	1124	1085	1133	1279	1182	1336	1280	1479	1706
<b>ASYMMETRICAL WALL CORNER CABINET - 39" H</b>																				
WCC243921	500	578	656	855	992	1230	670	794	817	946	858	985	957	999	1138	1046	1192	1141	1331	1550
WCC273921	500	578	656	855	992	1230	670	794	817	946	858	985	957	999	1138	1046	1192	1141	1331	1550
WCC273924	616	699	782	994	1140	1391	797	928	953	1091	997	1131	1101	1146	1294	1197	1352	1297	1499	1732
WCC303921	616	699	782	994	1140	1391	797	928	953	1091	997	1131	1101	1146	1294	1197	1352	1297	1499	1732
WCC303924	648	736	823	1046	1201	1469	838	979	1004	1150	1050	1194	1162	1209	1365	1262	1426	1369	1582	1828
<b>ASYMMETRICAL WALL CORNER CABINET - 42" H</b>																				
WCC244221	531	612	695	911	1055	1313	711	841	870	1007	912	1046	1024	1067	1214	1118	1272	1219	1423	1657
WCC274221	531	612	695	911	1055	1313	711	841	870	1007	912	1046	1024	1067	1214	1118	1272	1219	1423	1657
WCC274224	650	736	824	1053	1206	1479	840	979	1009	1155	1055	1197	1174	1218	1375	1272	1437	1381	1596	1845
WCC304221	682	773	867	1109	1272	1562	884	1031	1063	1218	1111	1262	1238	1286	1452	1342	1516	1457	1686	1949
WCC304224	682	773	867	1109	1272	1562	884	1031	1063	1218	1111	1262	1238	1286	1452	1342	1516	1457	1686	1949

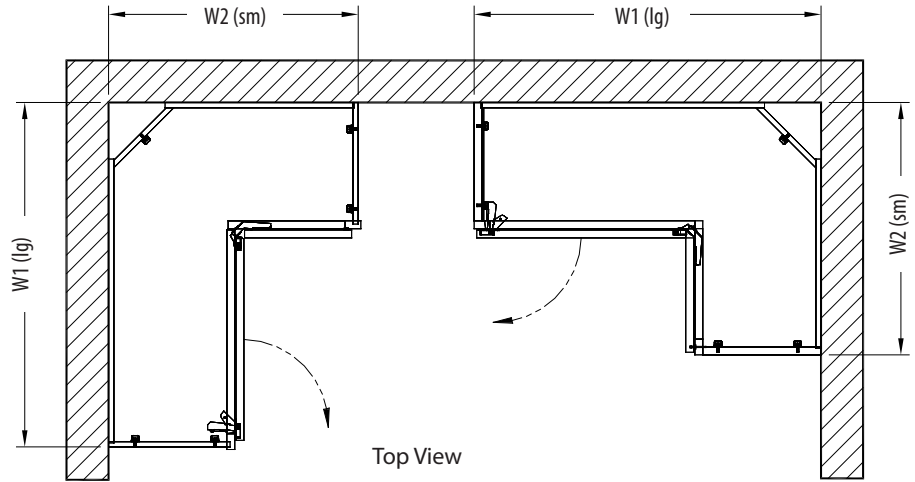
# Wall Cabinets

## ASYMMETRICAL CORNER CABINETS - HINGED LEFT

- Cabinets are hinged on the large door (see top view)
- Bifold-hinged door opens 170° from face of cabinet
- Sum of combined box face widths cannot exceed 30"
- Quantity of adjustable shelves determined by cabinet height (refer to chart below)

### Design note:

- 21" W side of cabinets: Doors will be slab when door style is Mitered, Applied Mldg or M&T w/3" stiles
- Roman door styles not recommended (door will be square on 21" W side only)
- Clipped Corner modifications not available



## WALL CORNER CABINET STACKED - ASYM - L

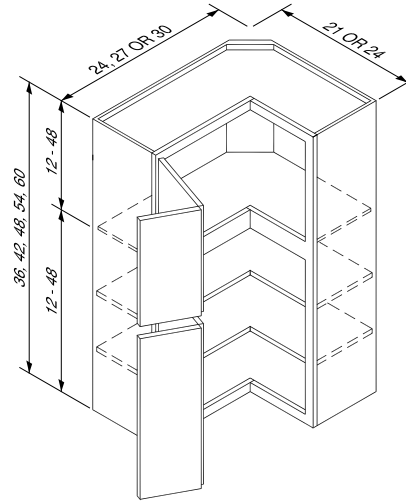
### MODIFICATION LIMITS

Width	No Width Mods
Height	24" - 66"
Depth	No Depth Mods

- 1/2" fixed mid-shelf and 3" tall fixed mid-rail between upper and lower doors
- Doors overlay mid-rail 1/2" resulting in a 2" space between stacked doors (except Inset)
- Location and height of door on lower section will be same height as door(s) on a non-stacking cabinet of same callout height

Upper or Lower Section Height	Qty of Adj. Shelves
12" - 18"	0
18-1/4" - 27"	1
27-1/4" - 36"	2
36-1/4" - 48"	3

Cabinet Width	Frame Width
21"	9"
24"	12"
27"	15"
30"	18"



		HEIGHT OF UPPER SECTION												
		12	15	18	21	24	27	30	33	36	39	42	45	48
HEIGHT OF LOWER SECTION	12	24	27	30	33	<b>36</b>	<b>39</b>	<b>42</b>	45	<b>48</b>	51	<b>54</b>	57	<b>60</b>
	15	27	30	33	<b>36</b>	<b>39</b>	<b>42</b>	45	<b>48</b>	51	<b>54</b>	57	<b>60</b>	63
	18	30	33	<b>36</b>	<b>39</b>	<b>42</b>	45	<b>48</b>	51	<b>54</b>	57	<b>60</b>	63	66
	21	33	<b>36</b>	<b>39</b>	<b>42</b>	45	<b>48</b>	51	<b>54</b>	57	<b>60</b>	63	66	
	24	<b>36</b>	<b>39</b>	<b>42</b>	45	<b>48</b>	51	<b>54</b>	57	<b>60</b>	63	66		
	27	<b>39</b>	<b>42</b>	45	<b>48</b>	51	<b>54</b>	57	<b>60</b>	63	66			
	30	<b>42</b>	45	<b>48</b>	51	<b>54</b>	57	<b>60</b>	63	66				
	33	45	<b>48</b>	51	<b>54</b>	57	<b>60</b>	63	66					
	36	<b>48</b>	51	<b>54</b>	57	<b>60</b>	63	66						
	39	51	<b>54</b>	57	<b>60</b>	63	66							
42	<b>54</b>	57	<b>60</b>	63	66									
45	57	<b>60</b>	63	66										
48	<b>60</b>	63	66											

- Use chart to determine overall cabinet height by combining upper and lower section heights
- **Bold** heights are standard
- Light grey heights require height modification

# Wall Cabinets

	C0	C1	C2	C4	C4A	C5	C7	C7A	C9	C9A	C10	C10A	C11	C12	C12A	C13	C13A	C14	C15	C16
<b>ASYMMETRICAL WCC STACKED - 36" H</b>																				
WCCS243621-__	967	931	1026	1247	1409	1647	1033	1180	1204	1358	1240	1399	1328	1389	1547	1443	1608	1550	1760	2005
WCCS273621-__	967	931	1026	1247	1409	1647	1033	1180	1204	1358	1240	1399	1328	1389	1547	1443	1608	1550	1760	2005
WCCS303621-__	1113	1074	1175	1409	1582	1835	1182	1340	1364	1528	1403	1572	1496	1560	1728	1618	1793	1732	1955	2215
WCCS273624-__	1113	1074	1175	1409	1582	1835	1182	1340	1364	1528	1403	1572	1496	1560	1728	1618	1793	1732	1955	2215
WCCS303624-__	1172	1133	1240	1487	1671	1937	1247	1413	1440	1613	1479	1659	1579	1647	1825	1708	1894	1828	2066	2340
<b>ASYMMETRICAL WCC STACKED - 39" &amp; 42" H</b>																				
WCCS24(H)21-__	1024	1123	1226	1467	1643	1916	1235	1396	1420	1587	1462	1630	1569	1632	1806	1691	1874	1810	2044	2313
WCCS27(H)21-__	1024	1123	1226	1467	1643	1916	1235	1396	1420	1587	1462	1630	1569	1632	1806	1691	1874	1810	2044	2313
WCCS30(H)21-__	1109	1208	1311	1552	1728	2001	1319	1481	1504	1672	1547	1715	1654	1716	1891	1776	1959	1894	2128	2398
WCCS27(H)24-__	1109	1208	1311	1552	1728	2001	1319	1481	1504	1672	1547	1715	1654	1716	1891	1776	1959	1894	2128	2398
WCCS30(H)24-__	1170	1274	1384	1638	1825	2113	1392	1562	1587	1766	1633	1811	1745	1813	1998	1876	2069	2001	2249	2534
<b>ASYMMETRICAL WCC STACKED - 45" &amp; 48" H</b>																				
WCCS24(H)21-__	1045	1150	1257	1511	1694	1991	1270	1437	1462	1635	1515	1688	1628	1691	1874	1754	1945	1877	2123	2407
WCCS27(H)21-__	1045	1150	1257	1511	1694	1991	1270	1437	1462	1635	1515	1688	1628	1691	1874	1754	1945	1877	2123	2407
WCCS30(H)21-__	1196	1306	1420	1691	1884	2200	1435	1611	1638	1822	1694	1877	1815	1881	2076	1949	2152	2079	2340	2642
WCCS27(H)24-__	1196	1306	1420	1691	1884	2200	1435	1611	1638	1822	1694	1877	1815	1881	2076	1949	2152	2079	2340	2642
WCCS30(H)24-__	1260	1379	1499	1784	1991	2325	1515	1701	1730	1925	1789	1983	1916	1988	2193	2057	2273	2196	2474	2792
<b>ASYMMETRICAL WCC STACKED - 51" &amp; 54" H</b>																				
WCCS24(H)21-__	1143	1264	1384	1677	1888	2222	1401	1591	1620	1820	1677	1879	1808	1881	2089	1950	2171	2093	2374	2698
WCCS27(H)21-__	1143	1264	1384	1677	1888	2222	1401	1591	1620	1820	1677	1879	1808	1881	2089	1950	2171	2093	2374	2698
WCCS30(H)21-__	1299	1428	1555	1867	2091	2446	1574	1776	1806	2018	1867	2081	2006	2083	2305	2157	2391	2308	2608	2951
WCCS27(H)24-__	1299	1428	1555	1867	2091	2446	1574	1776	1806	2018	1867	2081	2006	2083	2305	2157	2391	2308	2608	2951
WCCS30(H)24-__	1370	1506	1642	1972	2208	2585	1660	1874	1906	2132	1972	2200	2118	2201	2435	2279	2527	2439	2756	3121
<b>ASYMMETRICAL WCC STACKED - 57" &amp; 60" H</b>																				
WCCS24(H)21-__	1206	1333	1462	1789	2015	2390	1482	1686	1727	1942	1786	2001	1944	2017	2242	2093	2330	2249	2558	2914
WCCS27(H)21-__	1206	1333	1462	1789	2015	2390	1482	1686	1727	1942	1786	2001	1944	2017	2242	2093	2330	2249	2558	2914
WCCS30(H)21-__	1365	1501	1638	1986	2225	2624	1660	1876	1920	2149	1983	2212	2151	2227	2468	2308	2561	2474	2802	3180
WCCS27(H)24-__	1365	1501	1638	1986	2225	2624	1660	1876	1920	2149	1983	2212	2151	2227	2468	2308	2561	2474	2802	3180
WCCS30(H)24-__	1442	1584	1730	2098	2352	2773	1752	1981	2027	2269	2095	2337	2271	2354	2607	2439	2707	2615	2963	3363

"\_\_" Specify overall height & lower section height

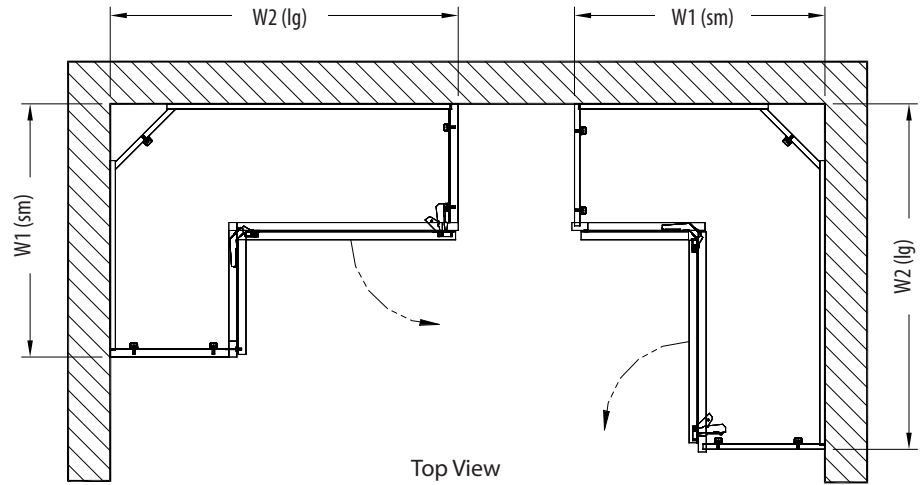
# Wall Cabinets

## ASYMMETRICAL CORNER CABINETS - HINGED RIGHT

### Design note:

- 21" W side of cabinets: Doors will be slab when door style is Mitered, Applied Mldg or M&T w/3" stiles
- Roman door styles not recommended (door will be square on 21" W side only)
- Clipped Corner modifications not available

- Cabinets are hinged on the large door (see top view)
- Bifold-hinged door opens 170° from face of cabinet
- Sum of combined box face widths cannot exceed 30"
- Quantity of adjustable shelves determined by cabinet height (refer to chart below)



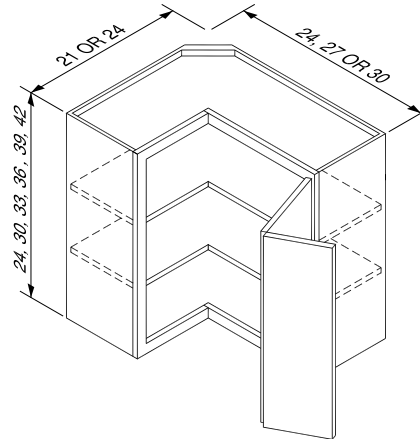
## WALL CORNER CABINET - ASYM - R

### MODIFICATION LIMITS

Width No Width Mods  
 Height 12" – 48"  
 Depth No Depth Mods

Cabinet Height	Qty of Adj. Shelves
12" – 18"	0
18-1/4" – 27"	1
27-1/4" – 36"	2
36-1/4" – 48"	3

Cabinet Width	Frame Width
21"	9"
24"	12"
27"	15"
30"	18"



# Wall Cabinets

	C0	C1	C2	C4	C4A	C5	C7	C7A	C9	C9A	C10	C10A	C11	C12	C12A	C13	C13A	C14	C15	C16
<b>ASYMMETRICAL WALL CORNER CABINET - 24" H</b>																				
WCC212424	390	451	514	661	770	928	519	617	633	736	656	763	716	756	862	792	902	863	1004	1167
WCC212427	390	451	514	661	770	928	519	617	633	736	656	763	716	756	862	792	902	863	1004	1167
WCC212430	499	565	631	787	902	1070	636	741	756	867	782	895	845	889	1001	926	1043	1002	1152	1325
WCC242427	499	565	631	787	902	1070	636	741	756	867	782	895	845	889	1001	926	1043	1002	1152	1325
WCC242430	524	592	663	829	951	1128	668	780	797	912	823	943	890	936	1055	975	1101	1057	1214	1398
<b>ASYMMETRICAL WALL CORNER CABINET - 30" H</b>																				
WCC213024	448	516	587	755	877	1070	594	706	721	838	751	867	829	872	994	912	1041	996	1160	1348
WCC213027	448	516	587	755	877	1070	594	706	721	838	751	867	829	872	994	912	1041	996	1160	1348
WCC213030	561	633	709	887	1016	1221	716	834	851	975	884	1006	967	1011	1141	1055	1191	1143	1318	1518
WCC243027	561	633	709	887	1016	1221	716	834	851	975	884	1006	967	1011	1141	1055	1191	1143	1318	1518
WCC243030	589	665	745	934	1072	1289	753	879	895	1028	929	1060	1018	1065	1202	1111	1257	1204	1391	1601
<b>ASYMMETRICAL WALL CORNER CABINET - 33" H</b>																				
WCC213324	458	529	602	777	902	1107	612	726	743	862	778	895	860	902	1028	945	1077	1029	1201	1396
WCC213327	458	529	602	777	902	1107	612	726	743	862	778	895	860	902	1028	945	1077	1029	1201	1396
WCC213330	572	648	724	911	1043	1262	736	856	873	1001	912	1036	999	1043	1177	1089	1230	1179	1360	1567
WCC243327	572	648	724	911	1043	1262	736	856	873	1001	912	1036	999	1043	1177	1089	1230	1179	1360	1567
WCC243330	600	680	762	958	1101	1331	773	902	921	1055	960	1092	1052	1101	1241	1148	1296	1243	1437	1655
<b>ASYMMETRICAL WALL CORNER CABINET - 36" H</b>																				
WCC213624	468	543	617	799	928	1145	629	746	763	885	804	924	889	931	1062	975	1113	1063	1240	1442
WCC213627	468	543	617	799	928	1145	629	746	763	885	804	924	889	931	1062	975	1113	1063	1240	1442
WCC213630	582	661	741	933	1070	1301	753	879	895	1026	940	1067	1029	1074	1213	1121	1267	1214	1403	1616
WCC243627	582	661	741	933	1070	1301	753	879	895	1026	940	1067	1029	1074	1213	1121	1267	1214	1403	1616
WCC243630	612	695	780	984	1128	1372	792	924	943	1080	989	1124	1085	1133	1279	1182	1336	1280	1479	1706
<b>ASYMMETRICAL WALL CORNER CABINET - 39" H</b>																				
WCC213924	500	578	656	855	992	1230	670	794	817	946	858	985	957	999	1138	1046	1192	1141	1331	1550
WCC213927	500	578	656	855	992	1230	670	794	817	946	858	985	957	999	1138	1046	1192	1141	1331	1550
WCC213930	616	699	782	994	1140	1391	797	928	953	1091	997	1131	1101	1146	1294	1197	1352	1297	1499	1732
WCC243927	616	699	782	994	1140	1391	797	928	953	1091	997	1131	1101	1146	1294	1197	1352	1297	1499	1732
WCC243930	648	736	823	1046	1201	1469	838	979	1004	1150	1050	1194	1162	1209	1365	1262	1426	1369	1582	1828
<b>ASYMMETRICAL WALL CORNER CABINET - 42" H</b>																				
WCC214224	531	612	695	911	1055	1313	711	841	870	1007	912	1046	1024	1067	1214	1118	1272	1219	1423	1657
WCC214227	531	612	695	911	1055	1313	711	841	870	1007	912	1046	1024	1067	1214	1118	1272	1219	1423	1657
WCC214230	650	736	824	1053	1206	1479	840	979	1009	1155	1055	1197	1174	1218	1375	1272	1437	1381	1596	1845
WCC244227	650	736	824	1053	1206	1479	840	979	1009	1155	1055	1197	1174	1218	1375	1272	1437	1381	1596	1845
WCC244230	682	773	867	1109	1272	1562	884	1031	1063	1218	1111	1262	1238	1286	1452	1342	1516	1457	1686	1949



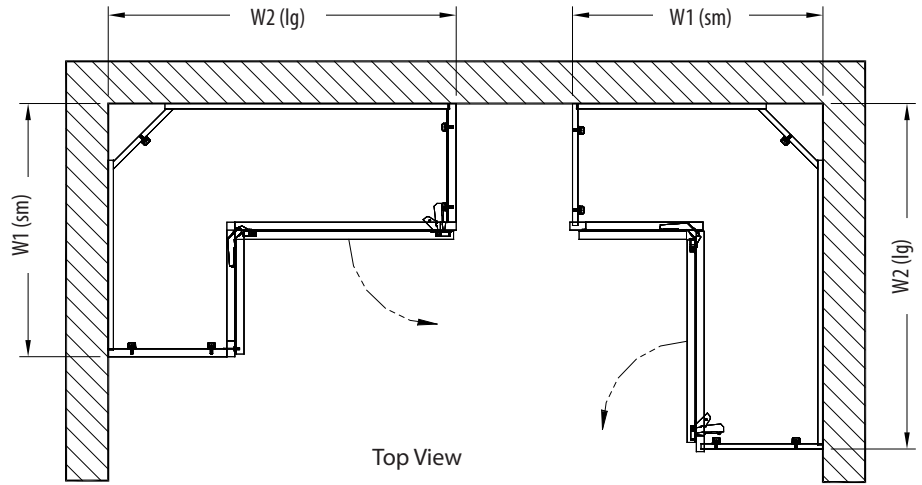
# Wall Cabinets

## ASYMMETRICAL CORNER CABINETS - HINGED RIGHT

- Cabinets are hinged on the large door (see top view)
- Bifold-hinged door opens 170° from face of cabinet
- Sum of combined box face widths cannot exceed 30"
- Quantity of adjustable shelves determined by cabinet height (refer to chart below)

### Design note:

- 21" W side of cabinets: Doors will be slab when door style is Mitered, Applied Mldg or M&T w/3" stiles
- Roman door styles not recommended (door will be square on 21" W side only)
- Clipped Corner modifications not available



## WALL CORNER CABINET STACKED - ASYM - R

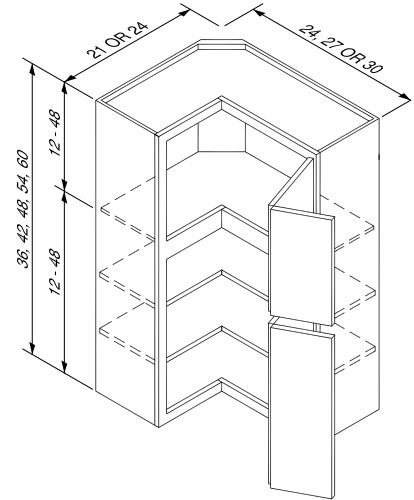
### MODIFICATION LIMITS

Width No Width Mods  
 Height 24" - 66"  
 Depth No Depth Mods

- 1/2" fixed mid-shelf and 3" tall fixed mid-rail between upper and lower doors
- Doors overlay mid-rail 1/2" resulting in a 2" space between stacked doors (except Inset)
- Location and height of door on lower section will be same height as door(s) on a non-stacking cabinet of same callout height

Upper or Lower Section Height	Qty of Adj. Shelves
12" - 18"	0
18-1/4" - 27"	1
27-1/4" - 36"	2
36-1/4" - 48"	3

Cabinet Width	Frame Width
21"	9"
24"	12"
27"	15"
30"	18"



		HEIGHT OF UPPER SECTION												
		12	15	18	21	24	27	30	33	36	39	42	45	48
HEIGHT OF LOWER SECTION	12	24	27	30	33	<b>36</b>	<b>39</b>	<b>42</b>	45	<b>48</b>	51	<b>54</b>	57	<b>60</b>
	15	27	30	33	<b>36</b>	<b>39</b>	<b>42</b>	45	<b>48</b>	51	<b>54</b>	57	<b>60</b>	63
	18	30	33	<b>36</b>	<b>39</b>	<b>42</b>	45	<b>48</b>	51	<b>54</b>	57	<b>60</b>	63	66
	21	33	<b>36</b>	<b>39</b>	<b>42</b>	45	<b>48</b>	51	<b>54</b>	57	<b>60</b>	63	66	
	24	<b>36</b>	<b>39</b>	<b>42</b>	45	<b>48</b>	51	<b>54</b>	57	<b>60</b>	63	66		
	27	<b>39</b>	<b>42</b>	45	<b>48</b>	51	<b>54</b>	57	<b>60</b>	63	66			
	30	<b>42</b>	45	<b>48</b>	51	<b>54</b>	57	<b>60</b>	63	66				
	33	45	<b>48</b>	51	<b>54</b>	57	<b>60</b>	63	66					
	36	<b>48</b>	51	<b>54</b>	57	<b>60</b>	63	66						
	39	51	<b>54</b>	57	<b>60</b>	63	66							
42	<b>54</b>	57	<b>60</b>	63	66									
45	57	<b>60</b>	63	66										
48	<b>60</b>	63	66											

- Use chart to determine overall cabinet height by combining upper and lower section heights
- **Bold** heights are standard
- Light grey heights require height modification



# Wall Cabinets

	C0	C1	C2	C4	C4A	C5	C7	C7A	C9	C9A	C10	C10A	C11	C12	C12A	C13	C13A	C14	C15	C16
<b>ASYMMETRICAL WALL CORNER STACKED - 36"H</b>																				
WCCS213624-__	967	931	1026	1247	1409	1647	1033	1180	1204	1358	1240	1399	1328	1389	1547	1443	1608	1550	1760	2005
WCCS213627-__	967	931	1026	1247	1409	1647	1033	1180	1204	1358	1240	1399	1328	1389	1547	1443	1608	1550	1760	2005
WCCS213630-__	1113	1074	1175	1409	1582	1835	1182	1340	1364	1528	1403	1572	1496	1560	1728	1618	1793	1732	1955	2215
WCCS243627-__	1113	1074	1175	1409	1582	1835	1182	1340	1364	1528	1403	1572	1496	1560	1728	1618	1793	1732	1955	2215
WCCS243630-__	1172	1133	1240	1487	1671	1937	1247	1413	1440	1613	1479	1659	1579	1647	1825	1708	1894	1828	2066	2340
<b>ASYMMETRICAL WCC STACKED - 39" &amp; 42" H</b>																				
WCCS21(H)24-__	1024	1123	1226	1467	1643	1916	1235	1396	1420	1587	1462	1630	1569	1632	1806	1691	1874	1810	2044	2313
WCCS21(H)27-__	1024	1123	1226	1467	1643	1916	1235	1396	1420	1587	1462	1630	1569	1632	1806	1691	1874	1810	2044	2313
WCCS21(H)30-__	1109	1208	1311	1552	1728	2001	1319	1481	1504	1672	1547	1715	1654	1716	1891	1776	1959	1894	2128	2398
WCCS24(H)27-__	1109	1208	1311	1552	1728	2001	1319	1481	1504	1672	1547	1715	1654	1716	1891	1776	1959	1894	2128	2398
WCCS24(H)30-__	1170	1274	1384	1638	1825	2113	1392	1562	1587	1766	1633	1811	1745	1813	1998	1876	2069	2001	2249	2534
<b>ASYMMETRICAL WCC STACKED - 45" &amp; 48" H</b>																				
WCCS21(H)24-__	1045	1150	1257	1511	1694	1991	1270	1437	1462	1635	1515	1688	1628	1691	1874	1754	1945	1877	2123	2407
WCCS21(H)27-__	1045	1150	1257	1511	1694	1991	1270	1437	1462	1635	1515	1688	1628	1691	1874	1754	1945	1877	2123	2407
WCCS21(H)30-__	1196	1306	1420	1691	1884	2200	1435	1611	1638	1822	1694	1877	1815	1881	2076	1949	2152	2079	2340	2642
WCCS24(H)27-__	1196	1306	1420	1691	1884	2200	1435	1611	1638	1822	1694	1877	1815	1881	2076	1949	2152	2079	2340	2642
WCCS24(H)30-__	1260	1379	1499	1784	1991	2325	1515	1701	1730	1925	1789	1983	1916	1988	2193	2057	2273	2196	2474	2792
<b>ASYMMETRICAL WCC STACKED - 51" &amp; 54" H</b>																				
WCCS21(H)24-__	1143	1264	1384	1677	1888	2222	1401	1591	1620	1820	1677	1879	1808	1881	2089	1950	2171	2093	2374	2698
WCCS21(H)27-__	1143	1264	1384	1677	1888	2222	1401	1591	1620	1820	1677	1879	1808	1881	2089	1950	2171	2093	2374	2698
WCCS21(H)30-__	1299	1428	1555	1867	2091	2446	1574	1776	1806	2018	1867	2081	2006	2083	2305	2157	2391	2308	2608	2951
WCCS24(H)27-__	1299	1428	1555	1867	2091	2446	1574	1776	1806	2018	1867	2081	2006	2083	2305	2157	2391	2308	2608	2951
WCCS24(H)30-__	1370	1506	1642	1972	2208	2585	1660	1874	1906	2132	1972	2200	2118	2201	2435	2279	2527	2439	2756	3121
<b>ASYMMETRICAL WCC STACKED - 57" &amp; 60" H</b>																				
WCCS21(H)24-__	1206	1333	1462	1789	2015	2390	1482	1686	1727	1942	1786	2001	1944	2017	2242	2093	2330	2249	2558	2914
WCCS21(H)27-__	1206	1333	1462	1789	2015	2390	1482	1686	1727	1942	1786	2001	1944	2017	2242	2093	2330	2249	2558	2914
WCCS21(H)30-__	1365	1501	1638	1986	2225	2624	1660	1876	1920	2149	1983	2212	2151	2227	2468	2308	2561	2474	2802	3180
WCCS24(H)27-__	1365	1501	1638	1986	2225	2624	1660	1876	1920	2149	1983	2212	2151	2227	2468	2308	2561	2474	2802	3180
WCCS24(H)30-__	1442	1584	1730	2098	2352	2773	1752	1981	2027	2269	2095	2337	2271	2354	2607	2439	2707	2615	2963	3363

"\_\_" Specify overall height & lower section height

# Wall Cabinets

\* L or R required

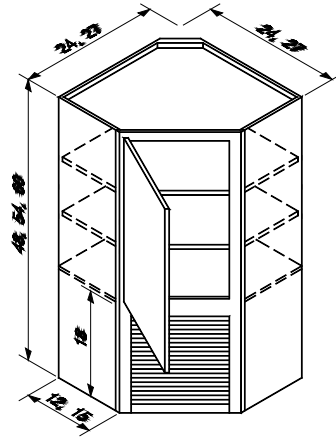
## WALL CORNER ANGLE APPLIANCE GARAGE

### MODIFICATION LIMITS

Width	No Width Mods
Height	48" – 66"
Depth	No Depth Mods

Cabinet Height	Qty of Adjustable Shelves
48" – 54"	2
54-1/4" – 66"	3

- Exterior ends not finished
- Height modifications made in door area
- Height may be reduced by trimming bottom
- Default height of tambour section: 18"
- Opening height with tambour raised: 15"



- Tambour height modification available:
  - Increased to a max. 24" H (1/4" increments)
  - Overall cabinet height does not change, difference is taken from door section
  - Add \$254 MSRP for this modification
- **Not available:** Black Walnut, Sapele

### WCAAG24

24" W x 12" D  
 WCAAG2448\*  
 WCAAG2451\*  
 WCAAG2454\*  
 WCAAG2457\*  
 WCAAG2460\*

### WCAAG27

27" W x 15" D  
 WCAAG2748X15\*  
 WCAAG2751X15\*  
 WCAAG2754X15\*  
 WCAAG2757X15\*  
 WCAAG2760X15\*

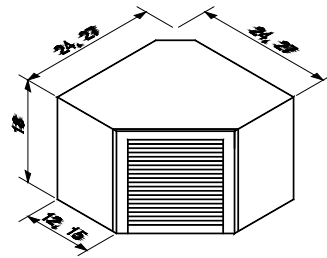
	C0	C1	C2	C4	C4A	C5	C7	C7A	C9	C9A	C10	C10A	C11	C12	C12A	C13	C13A	C14	C15	C16
WCAAG2448*	728	901	946	1065	1089	1328	972	994	1016	1040	1055	1079	1053	1079	1094	1130	1146	1233	1440	1676
WCAAG2451*	736	1011	979	1106	1131	1387	1007	1031	1055	1080	1096	1121	1101	1126	1143	1180	1197	1287	1504	1752
WCAAG2454*	736	1011	979	1106	1131	1387	1007	1031	1055	1080	1096	1121	1101	1126	1143	1180	1197	1287	1504	1752
WCAAG2457*	745	1013	1063	1213	1238	1528	1097	1121	1157	1182	1201	1228	1214	1240	1257	1299	1318	1418	1657	1930
WCAAG2460*	745	1013	1063	1213	1238	1528	1097	1121	1157	1182	1201	1228	1214	1240	1257	1299	1318	1418	1657	1930
WCAAG2748X15*	897	1114	1170	1319	1348	1649	1202	1230	1258	1287	1308	1336	1304	1336	1355	1399	1421	1530	1788	2083
WCAAG2751X15*	907	1252	1211	1370	1403	1721	1247	1277	1306	1338	1357	1389	1364	1396	1416	1464	1484	1598	1869	2178
WCAAG2754X15*	907	1252	1211	1370	1403	1721	1247	1277	1306	1338	1357	1389	1364	1396	1416	1464	1484	1598	1869	2178
WCAAG2757X15*	919	1253	1318	1504	1535	1898	1360	1389	1433	1465	1489	1521	1506	1538	1559	1611	1635	1760	2059	2400
WCAAG2760X15*	919	1253	1318	1504	1535	1898	1360	1389	1433	1465	1489	1521	1506	1538	1559	1611	1635	1760	2059	2400

## CORNER APPLIANCE GARAGE

### MODIFICATION LIMITS

Width	No Width Mods
Height	18" – 24"
Depth	No Depth Mods

- Opening height with tambour door raised: 15"
- Exterior ends not finished



### CAG

24" W x 12" D  
 CAG

### CAG27X15

27" W x 15" D  
 CAG27X15

	C0	C1	C2	C4	C4A	C5	C7	C7A	C9	C9A	C10	C10A	C11	C12	C12A	C13	C13A	C14	C15	C16
CAG	836	836	836	875	875	836	836	836	836	836	836	836	836	836	836	875	875	836	836	836
CAG27X15	940	940	940	984	984	940	940	940	940	940	940	940	940	940	940	984	984	940	940	940

# Wall Cabinets

\* L or R required

## WALL CORNER ANGLE APPLIANCE GARAGES - LS

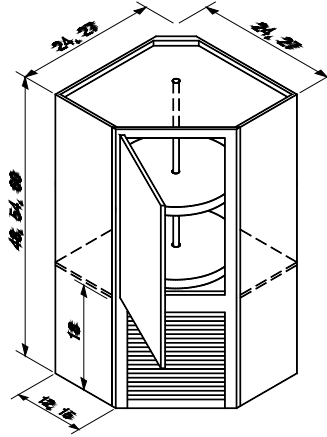
### MODIFICATION LIMITS

Width No Width Mods  
 Height 48" - 66"  
 Depth No Depth Mods

Cabinet Height	Qty of Lazy Susan Shelves
48" - 54"	2
54-1/4" - 66"	3

- 18" diameter Lazy Susan available in white plastic (LS\_) or wood (LSW\_)
- Opening height with tambour door raised: 15"
- Height modifications made in door area
- Exterior ends not finished
- Default height of tambour section: 18"

- Tambour height modification available:
  - Increased to a max. 24" H (1/4" increments)
  - Overall cabinet height does not change, difference is taken from door section
  - Add \$254 MSRP for this modification
- **Not available:** Black Walnut, Sapele



WCAAGLS24 24" W x 12" D	WCAAGLS27 27" W x 15" D	WCAAGLSW24 24" W x 12" D	WCAAGLSW27 27" W x 15" D
WCAAG2448LS*	WCAAG2748X15LS*	WCAAG2448LSW*	WCAAG2748X15LSW*
WCAAG2451LS*	WCAAG2751X15LS*	WCAAG2451LSW*	WCAAG2751X15LSW*
WCAAG2454LS*	WCAAG2754X15LS*	WCAAG2454LSW*	WCAAG2754X15LSW*
WCAAG2457LS*	WCAAG2757X15LS*	WCAAG2457LSW*	WCAAG2757X15LSW*
WCAAG2460LS*	WCAAG2760X15LS*	WCAAG2460LSW*	WCAAG2760X15LSW*

	C0	C1	C2	C4	C4A	C5	C7	C7A	C9	C9A	C10	C10A	C11	C12	C12A	C13	C13A	C14	C15	C16
<b>WHITE PLASTIC</b>																				
WCAAG2448LS*	948	1167	1211	1342	1369	1659	1236	1260	1280	1306	1330	1357	1319	1345	1360	1409	1426	1540	1799	2096
WCAAG2451LS*	957	1197	1245	1382	1409	1718	1274	1297	1319	1345	1370	1398	1367	1392	1408	1460	1476	1594	1864	2173
WCAAG2454LS*	957	1197	1245	1382	1409	1718	1274	1297	1319	1345	1370	1398	1367	1392	1408	1460	1476	1594	1864	2173
WCAAG2457LS*	965	1377	1430	1594	1621	1811	1462	1487	1521	1547	1581	1606	1579	1604	1623	1682	1701	1838	2149	2505
WCAAG2460LS*	965	1377	1430	1594	1621	1981	1462	1487	1521	1547	1581	1606	1579	1604	1623	1682	1701	1838	2149	2505
WCAAG2748X15LS	1174	1447	1501	1665	1699	2061	1533	1564	1589	1620	1650	1682	1637	1669	1688	1750	1771	1913	2237	2608
WCAAG2751X15LS*	1184	1484	1543	1716	1750	2135	1581	1610	1637	1669	1699	1733	1696	1728	1747	1813	1832	1981	2318	2703
WCAAG2754X15LS*	1184	1484	1543	1716	1750	2135	1581	1610	1637	1669	1699	1733	1696	1728	1747	1813	1832	1981	2318	2703
WCAAG2757X15LS*	1194	1710	1776	1981	2015	2464	1815	1847	1889	1922	1962	1996	1962	1993	2017	2091	2115	2286	2675	3119
WCAAG2760X15LS*	1194	1710	1776	1981	2015	2464	1815	1847	1889	1922	1962	1996	1962	1993	2017	2091	2115	2286	2675	3119
<b>WOOD</b>																				
WCAAG2448LSW*	1375	1548	1594	1713	1737	1976	1620	1642	1664	1688	1703	1727	1701	1727	1742	1777	1794	1881	2088	2324
WCAAG2451LSW*	1489	1764	1732	1859	1884	2140	1760	1642	1808	1833	1849	1874	1854	1879	1896	1933	1950	2040	2257	2505
WCAAG2454LSW*	1489	1764	1732	1859	1884	2140	1760	1784	1808	1833	1849	1874	1854	1879	1896	1933	1950	2040	2257	2505
WCAAG2457LSW*	1711	1979	2030	2179	2205	2495	2064	1784	2123	2149	2167	2195	2181	2206	2223	2266	2285	2385	2624	2897
WCAAG2460LSW*	1711	1979	2030	2179	2205	2495	2064	2088	2123	2149	2167	2195	2181	2206	2223	2266	2285	2385	2624	2897
WCAAG2748X15LSW*	1545	1762	1818	1967	1996	2296	1850	1877	1906	1935	1955	1984	1952	1984	2003	2047	2069	2178	2435	2731
WCAAG2751X15LSW*	1660	2005	1964	2123	2156	2474	2000	2030	2059	2091	2110	2142	2117	2149	2169	2217	2237	2351	2622	2931
WCAAG2754X15LSW*	1660	2005	1964	2123	2156	2474	2000	2030	2059	2091	2110	2142	2117	2149	2169	2217	2237	2351	2622	2931
WCAAG2757X15LSW*	1886	2220	2285	2471	2502	2865	2327	2356	2400	2432	2456	2488	2473	2505	2525	2578	2602	2727	3026	3367
WCAAG2760X15LSW*	1886	2220	2285	2471	2502	2865	2327	2356	2400	2432	2456	2488	2473	2505	2525	2578	2602	2727	3026	3367

# Wall Cabinets

\* L or R required

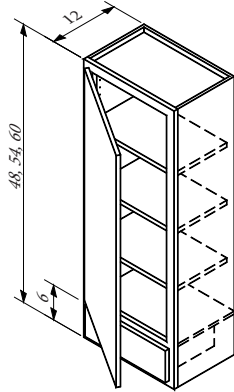
## WALL 1-DRAWER

- Height modifications made in door area
- Exterior ends not finished

Cabinet Height	Qty of Adj. Shelves
18" - 24"	0
24-1/4" - 33"	1
33-1/4" - 42"	2
42-1/4" - 48"	3
48-1/4" - 66"	4

### MODIFICATION LIMITS

Width 12" - 24"  
 Height 18" - 66"  
 Depth 12" - 24"



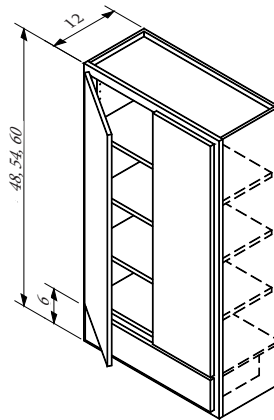
### W1DR1DWR

48" | 51" | 54" | 57" | 60" H

W1D15\_\_\*  
 W1D18\_\_\*  
 W1D21\_\_\*  
 W1D24\_\_\*

### MODIFICATION LIMITS

Width 18" - 27" (Inset: 21" min.)  
 Height 18" - 66"  
 Depth 12" - 24"



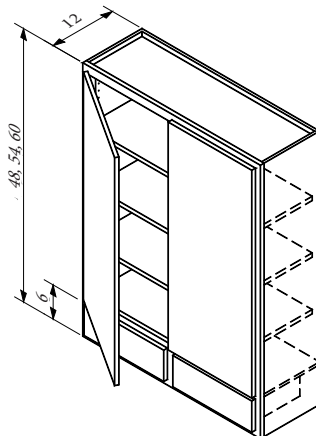
### W2DR1DWR

48" | 51" | 54" | 57" | 60" H

W1D24\_\_DD  
 W1D27\_\_

### MODIFICATION LIMITS

Width 27-1/4" - 42"  
 Height 18" - 66"  
 Depth 12" - 24"



### W2DR2DWR

48" | 51" | 54" | 57" | 60" H

W1D30\_\_  
 W1D33\_\_  
 W1D36\_\_

# Wall Cabinets

\* L or R required

	C0	C1	C2	C4	C4A	C5	C7	C7A	C9	C9A	C10	C10A	C11	C12	C12A	C13	C13A	C14	C15	C16
<b>WALL 1-DRAWER – 48" H</b>																				
W1D1548*	916	968	1004	1131	1187	1496	1026	1077	1080	1135	1111	1167	1194	1225	1287	1284	1350	1389	1577	1837
W1D1848*	938	1001	1041	1177	1236	1557	1067	1119	1123	1179	1155	1213	1241	1274	1336	1335	1401	1445	1642	1913
W1D2148*	958	1031	1079	1221	1282	1615	1107	1163	1165	1223	1199	1258	1287	1321	1387	1386	1453	1499	1703	1984
W1D2448*	979	1062	1118	1265	1328	1676	1148	1206	1208	1267	1241	1304	1335	1370	1438	1437	1508	1555	1767	2059
W1D2448DD	1057	1158	1213	1360	1428	1799	1233	1294	1297	1362	1335	1401	1435	1472	1545	1543	1620	1671	1900	2213
W1D2748	1182	1297	1358	1525	1601	2020	1381	1450	1453	1526	1496	1570	1608	1650	1733	1730	1818	1874	2130	2485
W1D3048	1309	1437	1504	1688	1772	2240	1530	1606	1610	1689	1657	1738	1781	1828	1918	1916	2011	2078	2363	2756
W1D3348	1435	1574	1649	1852	1944	2459	1677	1760	1766	1854	1816	1908	1954	2006	2106	2105	2210	2281	2593	3026
W1D3648	1560	1713	1794	2017	2117	2678	1827	1918	1922	2018	1978	2078	2127	2184	2295	2291	2407	2483	2826	3297
<b>WALL 1-DRAWER - 51" &amp; 54" H</b>																				
W1D15(H)*	938	990	1029	1172	1230	1550	1062	1114	1118	1174	1150	1208	1235	1267	1331	1328	1396	1438	1632	1901
W1D18(H)*	960	1023	1070	1221	1282	1615	1107	1163	1165	1223	1199	1258	1287	1321	1387	1386	1453	1499	1703	1984
W1D21(H)*	984	1057	1111	1269	1331	1679	1152	1209	1211	1272	1247	1309	1338	1374	1443	1440	1513	1559	1771	2064
W1D24(H)*	1006	1089	1152	1319	1386	1747	1196	1255	1258	1321	1294	1360	1391	1428	1499	1498	1572	1621	1842	2147
W1D24(H)DD	1092	1194	1258	1418	1489	1881	1286	1350	1353	1421	1392	1462	1498	1537	1613	1611	1691	1745	1983	2312
W1D27(H)	1223	1336	1409	1589	1669	2108	1442	1513	1516	1593	1560	1638	1677	1721	1808	1805	1896	1955	2223	2593
W1D30(H)	1353	1481	1560	1760	1849	2337	1596	1676	1679	1762	1728	1813	1859	1908	2001	2001	2100	2167	2466	2876
W1D33(H)	1484	1623	1711	1932	2028	2566	1750	1837	1842	1933	1896	1989	2039	2093	2198	2195	2305	2379	2707	3158
W1D36(H)	1615	1767	1864	2103	2208	2797	1906	2001	2006	2106	2066	2167	2222	2281	2395	2393	2512	2593	2951	3445
<b>WALL 1-DRAWER - 57" &amp; 60" H</b>																				
W1D15(H)*	958	1011	1055	1202	1262	1591	1091	1145	1148	1206	1180	1240	1269	1303	1367	1365	1433	1477	1679	1955
W1D18(H)*	984	1046	1099	1255	1318	1660	1138	1194	1197	1257	1231	1292	1323	1358	1426	1425	1496	1542	1752	2042
W1D21(H)*	1009	1082	1143	1306	1370	1730	1186	1245	1247	1309	1282	1347	1379	1414	1486	1482	1557	1606	1825	2127
W1D24(H)*	1035	1118	1187	1360	1428	1799	1233	1294	1297	1362	1335	1401	1435	1472	1545	1543	1620	1671	1900	2213
W1D24(H)DD	1130	1231	1303	1460	1533	1933	1323	1389	1392	1462	1433	1504	1540	1581	1660	1657	1742	1794	2040	2379
W1D27(H)	1265	1379	1459	1637	1718	2171	1482	1557	1560	1638	1606	1686	1727	1772	1861	1859	1950	2013	2290	2671
W1D30(H)	1399	1526	1616	1813	1903	2407	1642	1723	1728	1815	1779	1867	1913	1964	2062	2059	2162	2232	2539	2963
W1D33(H)	1535	1674	1772	1989	2089	2641	1801	1891	1896	1991	1952	2049	2100	2154	2262	2259	2373	2449	2785	3250
W1D36(H)	1671	1823	1930	2166	2274	2878	1961	2059	2064	2167	2125	2230	2286	2346	2464	2461	2585	2668	3034	3541

"(H)" Specify height

# Wall Cabinets

## WALL BOOKCASE 1-DRAWER

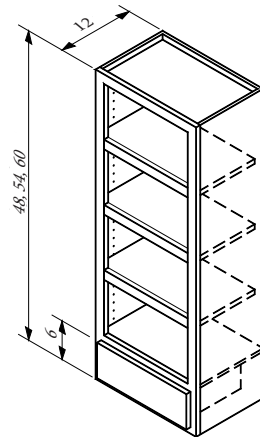
Cabinet Height	Qty of Adj. Shelves
18" – 24"	0
24-1/4" – 33"	1
33-1/4" – 42"	2
42-1/4" – 48"	3
48-1/4" – 66"	4

- Finished interior (FMI)
- Exterior ends not finished
- Adjustable shelves have 1-1/2" H double eased front edge
- Clear locking shelf clips are installed and nickel shelf clips sent loose

- Inside of frame opening has eased edge
- Height modifications made in open area
- Width exceeds 36": PLY cabinet box required (up-charges apply)
- Width exceeds 42": max. depth is 18"
- We do not recommend storing heavy loads on cabinets over 36" W

### MODIFICATION LIMITS

Width 12" – 27"  
 Height 18" – 66"  
 Depth 12" – 24"



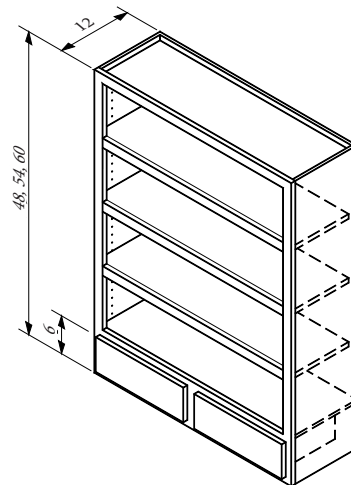
### WBC1DWR

48" | 51" | 54" | 57" | 60" H

WBC1D15\_\_  
 WBC1D18\_\_  
 WBC1D21\_\_  
 WBC1D24\_\_  
 WBC1D27\_\_

### MODIFICATION LIMITS

Width 27 1/4" – 48"  
 Height 18" – 66"  
 Depth 12" – 24"



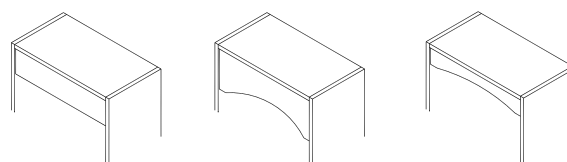
### WBC2DWR

48" | 51" | 54" | 57" | 60" H

WBC1D30\_\_  
 WBC1D33\_\_  
 WBC1D36\_\_

### Optional Top Rail Valances

(See Modification section)



# Wall Cabinets

	C0	C1	C2	C4	C4A	C5	C7	C7A	C9	C9A	C10	C10A	C11	C12	C12A	C13	C13A	C14	C15	C16
<b>WALL BOOKCASE 1-DRAWER - 48" H</b>																				
WBC1D1548	965	965	965	1011	1011	1187	965	965	965	965	965	965	965	965	965	1011	1011	1102	965	1121
WBC1D1848	1041	1041	1041	1091	1091	1282	1041	1041	1041	1041	1041	1041	1041	1041	1041	1091	1091	1191	1041	1209
WBC1D2148	1116	1116	1116	1169	1169	1374	1116	1116	1116	1116	1116	1116	1116	1116	1116	1169	1169	1275	1116	1297
WBC1D2448	1192	1192	1192	1250	1250	1469	1192	1192	1192	1192	1192	1192	1192	1192	1192	1250	1250	1364	1192	1387
WBC1D2748	1335	1335	1335	1401	1401	1647	1335	1335	1335	1335	1335	1335	1335	1335	1335	1401	1401	1528	1335	1555
WBC1D3048	1479	1479	1479	1550	1550	1823	1479	1479	1479	1479	1479	1479	1479	1479	1479	1550	1550	1693	1479	1721
WBC1D3348	1621	1621	1621	1701	1701	2001	1621	1621	1621	1621	1621	1621	1621	1621	1621	1701	1701	1857	1621	1889
WBC1D3648	1764	1764	1764	1850	1850	2179	1764	1764	1764	1764	1764	1764	1764	1764	1764	1850	1850	2022	1764	2057
<b>WALL BOOKCASE 1-DRAWER - 51" &amp; 54" H</b>																				
WBC1D15(H)	1038	1038	1038	1087	1087	1277	1038	1038	1038	1038	1038	1038	1038	1038	1038	1087	1087	1186	1038	1206
WBC1D18(H)	1124	1124	1124	1179	1179	1384	1124	1124	1124	1124	1124	1124	1124	1124	1124	1179	1179	1286	1124	1308
WBC1D21(H)	1209	1209	1209	1267	1267	1491	1209	1209	1209	1209	1209	1209	1209	1209	1209	1267	1267	1384	1209	1406
WBC1D24(H)	1294	1294	1294	1357	1357	1596	1294	1294	1294	1294	1294	1294	1294	1294	1294	1357	1357	1481	1294	1506
WBC1D27(H)	1450	1450	1450	1520	1520	1789	1450	1450	1450	1450	1450	1450	1450	1450	1450	1520	1520	1660	1450	1688
WBC1D30(H)	1606	1606	1606	1684	1684	1983	1606	1606	1606	1606	1606	1606	1606	1606	1606	1684	1684	1838	1606	1871
WBC1D33(H)	1760	1760	1760	1847	1847	2176	1760	1760	1760	1760	1760	1760	1760	1760	1760	1847	1847	2018	1760	2052
WBC1D36(H)	1916	1916	1916	2011	2011	2369	1916	1916	1916	1916	1916	1916	1916	1916	1916	2011	2011	2196	1916	2235
<b>WALL BOOKCASE 1-DRAWER - 57" &amp; 60" H</b>																				
WBC1D15(H)	1106	1106	1106	1158	1158	1362	1106	1106	1106	1106	1106	1106	1106	1106	1106	1158	1158	1264	1106	1286
WBC1D18(H)	1199	1199	1199	1257	1257	1477	1199	1199	1199	1199	1199	1199	1199	1199	1199	1257	1257	1372	1199	1394
WBC1D21(H)	1292	1292	1292	1355	1355	1593	1292	1292	1292	1292	1292	1292	1292	1292	1292	1355	1355	1479	1292	1504
WBC1D24(H)	1386	1386	1386	1452	1452	1710	1386	1386	1386	1386	1386	1386	1386	1386	1386	1452	1452	1586	1386	1613
WBC1D27(H)	1554	1554	1554	1626	1626	1916	1554	1554	1554	1554	1554	1554	1554	1554	1554	1626	1626	1777	1554	1808
WBC1D30(H)	1720	1720	1720	1803	1803	2125	1720	1720	1720	1720	1720	1720	1720	1720	1720	1803	1803	1971	1720	2005
WBC1D33(H)	1888	1888	1888	1978	1978	2332	1888	1888	1888	1888	1888	1888	1888	1888	1888	1978	1978	2162	1888	2200
WBC1D36(H)	2054	2054	2054	2154	2154	2541	2054	2054	2054	2054	2054	2054	2054	2054	2054	2154	2154	2354	2054	2395

"(H)" Specify height

# Wall Cabinets

\* L or R required

## WALL 2-DRAWER

- Height modifications made in door area
- Exterior ends not finished

Cabinet Height	Qty of Adj. Shelves
24" - 30"	0
30-1/4" - 39"	1
39-1/4" - 48"	2
48-1/4" - 54"	3
54-1/4" - 66"	4

### MODIFICATION LIMITS

Width 12" - 24"  
 Height 24" - 66"  
 Depth 12" - 24"

### MODIFICATION LIMITS

Width 18" - 27" (Inset: 21" min.)  
 Height 24" - 66"  
 Depth 12" - 24"

W1DRV2DWR W2DRV2DWR

48" | 51" | 54" | 57" | 60" H

W2D15\_\*

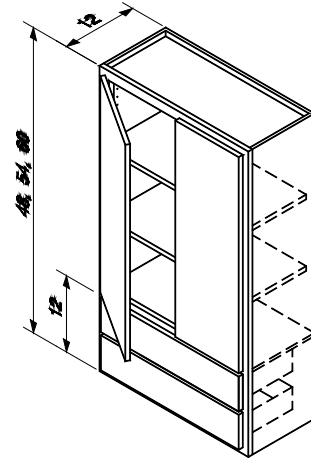
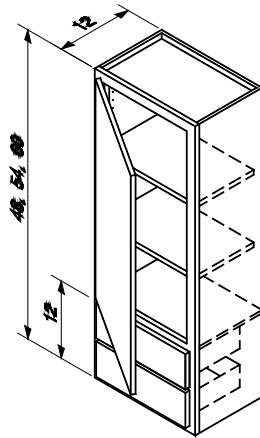
W2D24\_DD

W2D18\_\*

W2D27\_\_

W2D21\_\*

W2D24\_\*

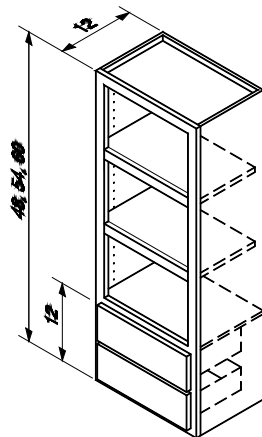


## WALL BOOKCASE 2-DRAWER

### MODIFICATION LIMITS

Width 12" - 27"  
 Height 24" - 66"  
 Depth 12" - 24"

- See adjustable shelf chart above
- Finished interior (FMI)
- Exterior ends not finished
- Adjustable shelves have 1-1/2" H double eased front edge
- Clear locking shelf clips are installed and nickel shelf clips sent loose
- Inside of frame opening has eased edge
- Height modifications made in open area



WBCV2DWR

48" | 51" | 54" | 57" | 60" H

WBC2D15\_\_

WBC2D18\_\_

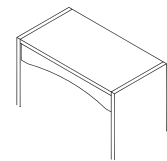
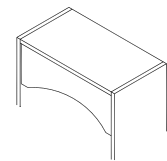
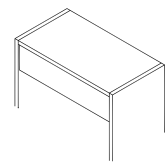
WBC2D21\_\_

WBC2D24\_\_

WBC2D27\_\_

### Optional Top Rail Valances

(See Modification section)





# Wall Cabinets

\* L or R required

	C0	C1	C2	C4	C4A	C5	C7	C7A	C9	C9A	C10	C10A	C11	C12	C12A	C13	C13A	C14	C15	C16
<b>WALL 2-DRAWER - 48" H</b>																				
W2D1548*	1021	1067	1101	1247	1309	1662	1130	1186	1189	1248	1223	1284	1314	1348	1416	1413	1484	1543	1738	2025
W2D1848*	1043	1099	1141	1296	1360	1730	1175	1235	1236	1297	1272	1335	1367	1403	1472	1470	1543	1606	1808	2106
W2D2148*	1067	1131	1180	1347	1414	1799	1221	1282	1286	1350	1323	1389	1421	1459	1531	1530	1606	1671	1881	2193
W2D2448*	1091	1163	1221	1399	1469	1871	1269	1331	1335	1401	1374	1442	1476	1515	1591	1587	1667	1735	1954	2278
W2D2448DD	1155	1247	1303	1477	1550	1974	1340	1406	1409	1479	1450	1521	1559	1599	1679	1677	1760	1832	2064	2407
W2D2748	1294	1396	1459	1655	1738	2215	1501	1576	1579	1657	1625	1704	1747	1793	1883	1879	1974	2054	2315	2700
<b>WALL 2-DRAWER - 51" &amp; 54" H</b>																				
W2D15(H)*	1046	1099	1138	1294	1358	1728	1174	1231	1235	1296	1270	1333	1365	1401	1470	1469	1542	1604	1806	2105
W2D18(H)*	1072	1135	1182	1350	1418	1803	1223	1284	1287	1352	1325	1391	1423	1460	1535	1531	1610	1672	1884	2196
W2D21(H)*	1099	1172	1226	1404	1474	1877	1274	1336	1340	1406	1379	1447	1482	1521	1596	1594	1674	1742	1962	2288
W2D24(H)*	1124	1208	1270	1460	1533	1950	1323	1389	1392	1462	1433	1504	1540	1581	1660	1657	1742	1810	2040	2379
W2D24(H)DD	1202	1304	1367	1555	1633	2081	1411	1481	1484	1559	1526	1604	1642	1684	1771	1766	1857	1930	2174	2536
W2D27(H)	1347	1462	1531	1743	1830	2335	1581	1659	1664	1747	1713	1798	1842	1889	1984	1981	2081	2166	2442	2849
<b>WALL 2-DRAWER - 57" &amp; 60" H</b>																				
W2D15(H)*	1067	1119	1163	1333	1399	1781	1209	1270	1272	1335	1309	1374	1406	1443	1515	1513	1587	1652	1862	2171
W2D18(H)*	1096	1158	1211	1394	1464	1862	1264	1326	1330	1396	1369	1437	1470	1509	1584	1582	1660	1728	1947	2269
W2D21(H)*	1123	1196	1258	1453	1526	1944	1318	1384	1387	1457	1428	1499	1535	1574	1654	1650	1733	1803	2032	2369
W2D24(H)*	1152	1235	1306	1513	1587	2023	1372	1440	1443	1515	1486	1559	1596	1638	1720	1718	1803	1877	2115	2466
W2D24(H)DD	1238	1340	1413	1615	1694	2159	1464	1537	1540	1616	1584	1664	1704	1749	1835	1833	1925	2003	2259	2636
W2D27(H)	1387	1501	1584	1810	1900	2424	1640	1721	1727	1813	1777	1866	1911	1961	2061	2056	2161	2247	2534	2956

"(H)" Specify height

	C0	C1	C2	C4	C4A	C5	C7	C7A	C9	C9A	C10	C10A	C11	C12	C12A	C13	C13A	C14	C15	C16
<b>WALL BOOKCASE 2-DRAWER - 48" H</b>																				
WBC2D1548	1058	1058	1058	1109	1109	1303	1058	1058	1058	1058	1058	1058	1058	1058	1058	1109	1109	1209	1058	1230
WBC2D1848	1143	1143	1143	1197	1197	1408	1143	1143	1143	1143	1143	1143	1143	1143	1143	1197	1197	1308	1143	1330
WBC2D2148	1226	1226	1226	1286	1286	1511	1226	1226	1226	1226	1226	1226	1226	1226	1226	1286	1286	1403	1226	1426
WBC2D2448	1311	1311	1311	1374	1374	1616	1311	1311	1311	1311	1311	1311	1311	1311	1311	1374	1374	1501	1311	1525
WBC2D2748	1469	1469	1469	1540	1540	1813	1469	1469	1469	1469	1469	1469	1469	1469	1469	1540	1540	1682	1469	1710
<b>WALL BOOKCASE 2-DRAWER - 51" &amp; 54" H</b>																				
WBC2D15(H)	1131	1131	1131	1186	1186	1392	1131	1131	1131	1131	1131	1131	1131	1131	1131	1186	1186	1294	1131	1314
WBC2D18(H)	1226	1226	1226	1286	1286	1511	1226	1226	1226	1226	1226	1226	1226	1226	1226	1286	1286	1403	1226	1426
WBC2D21(H)	1319	1319	1319	1382	1382	1626	1319	1319	1319	1319	1319	1319	1319	1319	1319	1382	1382	1509	1319	1535
WBC2D24(H)	1413	1413	1413	1481	1481	1743	1413	1413	1413	1413	1413	1413	1413	1413	1413	1481	1481	1618	1413	1645
WBC2D27(H)	1584	1584	1584	1660	1660	1955	1584	1584	1584	1584	1584	1584	1584	1584	1584	1660	1660	1815	1584	1845
<b>WALL BOOKCASE 2-DRAWER - 57" &amp; 60" H</b>																				
WBC2D15(H)	1199	1199	1199	1257	1257	1477	1199	1199	1199	1199	1199	1199	1199	1199	1199	1257	1257	1372	1199	1394
WBC2D18(H)	1301	1301	1301	1364	1364	1604	1301	1301	1301	1301	1301	1301	1301	1301	1301	1364	1364	1489	1301	1513
WBC2D21(H)	1403	1403	1403	1470	1470	1730	1403	1403	1403	1403	1403	1403	1403	1403	1403	1470	1470	1606	1403	1633
WBC2D24(H)	1504	1504	1504	1577	1577	1857	1504	1504	1504	1504	1504	1504	1504	1504	1504	1577	1577	1723	1504	1752
WBC2D27(H)	1686	1686	1686	1769	1769	2083	1686	1686	1686	1686	1686	1686	1686	1686	1686	1769	1769	1932	1686	1966

"(H)" Specify height

# Wall Cabinets

\* L or R required

## WALL 3-DRAWER

- Height modifications made in door area
- Exterior ends not finished

Cabinet Height	Qty of Adj. Shelves
30" - 36"	0
36-1/4" - 45"	1
45-1/4" - 54"	2
54-1/4" - 66"	3

### MODIFICATION LIMITS

Width 12" - 24"  
 Height 30" - 66"  
 Depth 12" - 24"

### MODIFICATION LIMITS

Width 18" - 27" (Inset: 21" min.)  
 Height 30" - 66"  
 Depth 12" - 24"

W1DRV3DWR W2DRV3DWR

48" | 51" | 54" | 57" | 60" H

W3D15\_\_\*

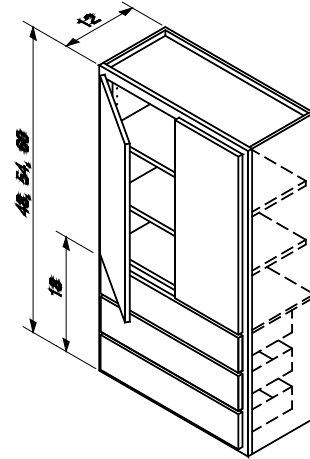
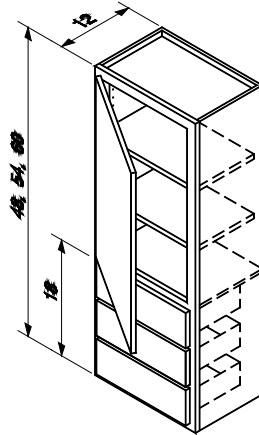
W3D24\_\_DD

W3D18\_\_\*

W3D27\_\_

W3D21\_\_\*

W3D24\_\_\*

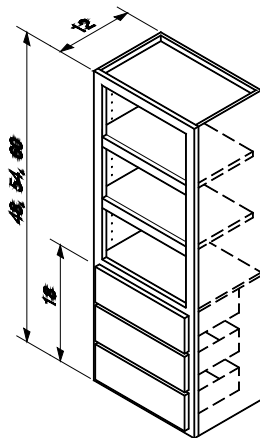


## WALL BOOKCASE 3-DRAWER

### MODIFICATION LIMITS

Width 12" - 27"  
 Height 30" - 66"  
 Depth 12" - 24"

- See adjustable shelf chart above
- Finished interior (FMI)
- Exterior ends not finished
- Adjustable shelves have 1-1/2" H double eased front edge
- Clear locking shelf clips are installed and nickel shelf clips sent loose
- Inside of frame opening has eased edge
- Height modifications made in open area



WBCV3DWR

48" | 51" | 54" | 57" | 60" H

WBC3D15\_\_

WBC3D18\_\_

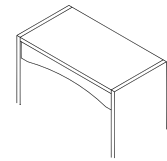
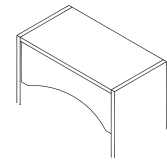
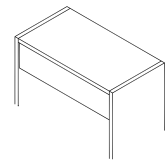
WBC3D21\_\_

WBC3D24\_\_

WBC3D27\_\_

### Optional Top Rail Valances

(See Modification section)



# Wall Cabinets

\* L or R required

	C0	C1	C2	C4	C4A	C5	C7	C7A	C9	C9A	C10	C10A	C11	C12	C12A	C13	C13A	C14	C15	C16
<b>WALL 3-DRAWER - 48" H</b>																				
W3D1548*	1106	1169	1204	1369	1437	1830	1241	1303	1306	1370	1343	1409	1445	1482	1555	1554	1630	1698	1913	2230
W3D1848*	1141	1202	1247	1428	1499	1906	1294	1358	1362	1430	1401	1470	1506	1545	1623	1620	1701	1769	1994	2325
W3D2148*	1179	1238	1289	1484	1559	1986	1347	1414	1416	1487	1457	1530	1567	1608	1689	1686	1771	1842	2076	2420
W3D2448*	1208	1274	1331	1543	1620	2062	1399	1469	1472	1545	1515	1589	1628	1671	1754	1752	1838	1913	2157	2515
W3D2448DD	1262	1347	1404	1606	1686	2147	1455	1528	1531	1608	1576	1655	1694	1738	1827	1823	1915	1991	2246	2619
W3D2748	1413	1509	1574	1801	1891	2410	1632	1713	1716	1801	1766	1854	1900	1950	2047	2045	2147	2235	2520	2941
<b>WALL 3-DRAWER - 51" &amp; 54" H</b>																				
W3D15(H)*	1145	1191	1230	1401	1470	1872	1270	1333	1336	1403	1375	1443	1477	1516	1593	1589	1671	1737	1957	2281
W3D18(H)*	1170	1226	1275	1464	1537	1955	1326	1392	1396	1465	1437	1508	1543	1584	1664	1660	1745	1815	2045	2385
W3D21(H)*	1199	1264	1321	1523	1599	2039	1381	1450	1453	1526	1496	1570	1608	1650	1733	1730	1818	1891	2130	2485
W3D24(H)*	1228	1301	1365	1584	1664	2118	1437	1508	1511	1586	1555	1632	1672	1716	1801	1799	1889	1966	2217	2585
W3D24(H)DD	1292	1384	1448	1654	1737	2212	1499	1574	1577	1655	1623	1703	1745	1791	1881	1877	1972	2052	2313	2698
W3D27(H)*	1448	1550	1623	1854	1947	2483	1681	1764	1769	1857	1820	1911	1959	2010	2110	2108	2213	2303	2598	3032
<b>WALL 3-DRAWER - 57" &amp; 60" H</b>																				
W3D15(H)*	1170	1223	1267	1448	1521	1935	1314	1381	1382	1452	1423	1494	1528	1569	1649	1645	1728	1796	2025	2361
W3D18(H)*	1201	1264	1318	1515	1591	2025	1374	1442	1445	1516	1487	1560	1599	1640	1721	1720	1805	1879	2117	2468
W3D21(H)*	1231	1304	1367	1581	1659	2113	1433	1504	1508	1582	1552	1628	1669	1711	1798	1794	1886	1961	2210	2578
W3D24(H)*	1262	1345	1416	1645	1727	2200	1491	1565	1569	1647	1615	1694	1737	1781	1871	1867	1962	2040	2300	2683
W3D24(H)DD	1340	1442	1513	1730	1816	2315	1569	1647	1650	1733	1698	1784	1827	1874	1969	1966	2066	2147	2422	2826
W3D27(H)*	1501	1616	1696	1940	2037	2600	1759	1847	1850	1942	1905	1998	2049	2103	2206	2206	2315	2412	2719	3173

"(H)" Specify height

	C0	C1	C2	C4	C4A	C5	C7	C7A	C9	C9A	C10	C10A	C11	C12	C12A	C13	C13A	C14	C15	C16
<b>WALL BOOKCASE 3-DRAWER - 48" H</b>																				
WBC3D1548	1152	1152	1152	1208	1208	1418	1152	1152	1152	1152	1152	1152	1152	1152	1152	1208	1208	1318	1152	1340
WBC3D1848	1245	1245	1245	1304	1304	1535	1245	1245	1245	1245	1245	1245	1245	1245	1245	1304	1304	1425	1245	1448
WBC3D2148	1336	1336	1336	1401	1401	1649	1336	1336	1336	1336	1336	1336	1336	1336	1336	1401	1401	1530	1336	1555
WBC3D2448	1430	1430	1430	1499	1499	1764	1430	1430	1430	1430	1430	1430	1430	1430	1430	1499	1499	1637	1430	1664
WBC3D2748	1603	1603	1603	1681	1681	1978	1603	1603	1603	1603	1603	1603	1603	1603	1603	1681	1681	1835	1603	1866
<b>WALL BOOKCASE 3-DRAWER - 51" &amp; 54" H</b>																				
WBC3D15(H)	1225	1225	1225	1284	1284	1509	1225	1225	1225	1225	1225	1225	1225	1225	1225	1284	1284	1401	1225	1425
WBC3D18(H)	1328	1328	1328	1392	1392	1637	1328	1328	1328	1328	1328	1328	1328	1328	1328	1392	1392	1520	1328	1545
WBC3D21(H)	1430	1430	1430	1499	1499	1764	1430	1430	1430	1430	1430	1430	1430	1430	1430	1499	1499	1637	1430	1664
WBC3D24(H)	1531	1531	1531	1606	1606	1891	1531	1531	1531	1531	1531	1531	1531	1531	1531	1606	1606	1754	1531	1784
WBC3D27(H)	1716	1716	1716	1801	1801	2122	1716	1716	1716	1716	1716	1716	1716	1716	1716	1801	1801	1967	1716	2001
<b>WALL BOOKCASE 3-DRAWER - 57" &amp; 60" H</b>																				
WBC3D15(H)	1292	1292	1292	1355	1355	1593	1292	1292	1292	1292	1292	1292	1292	1292	1292	1355	1355	1479	1292	1504
WBC3D18(H)	1403	1403	1403	1470	1470	1730	1403	1403	1403	1403	1403	1403	1403	1403	1403	1470	1470	1606	1403	1633
WBC3D21(H)	1513	1513	1513	1586	1586	1867	1513	1513	1513	1513	1513	1513	1513	1513	1513	1586	1586	1732	1513	1762
WBC3D24(H)	1623	1623	1623	1701	1701	2005	1623	1623	1623	1623	1623	1623	1623	1623	1623	1701	1701	1859	1623	1891
WBC3D27(H)	1820	1820	1820	1908	1908	2249	1820	1820	1820	1820	1820	1820	1820	1820	1820	1908	1908	2084	1820	2122

"(H)" Specify height

# Wall Cabinets

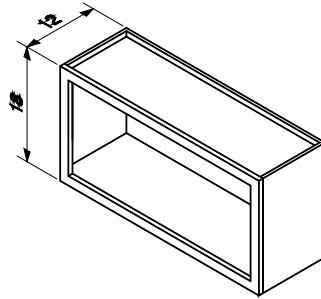
## WALL BOOKCASE – 18" H

### MODIFICATION LIMITS

Width 12" – 48"  
 Height 12" – 18"  
 Depth 6" – 24"

- No adjustable shelves
- Finished interior (FMI)
- Exterior ends not finished
- Inside of frame opening has eased edge

- Width exceeds 36": PLY cabinet box required (up-charges apply)
- Width exceeds 42": max. depth is 18"
- We do not recommend storing heavy loads on cabinets over 36" W



WBC	
18" H	
WBC1218	WBC3018
WBC1518	WBC3318
WBC1818	WBC3618
WBC2118	WBC3918
WBC2418	WBC4218
WBC2718	

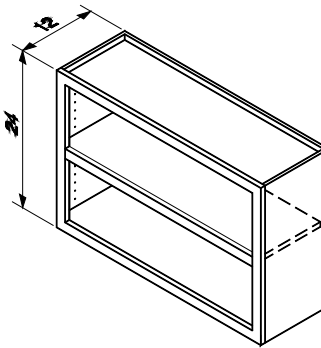
## WALL BOOKCASE – 24" H

### MODIFICATION LIMITS

Width 12" – 48"  
 Height 18-1/4" – 24"  
 Depth 6" – 24"

- See notes above
- One adjustable shelf w/ 1-1/2" H double eased front edge

- Clear locking shelf clips are installed and nickel shelf clips sent loose



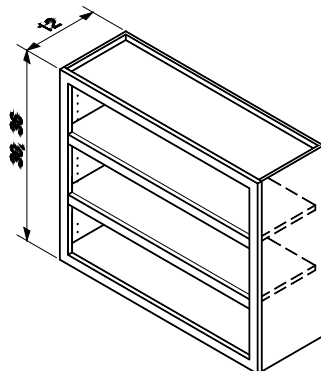
WBC	
24" H	
WBC1224	WBC3024
WBC1524	WBC3324
WBC1824	WBC3624
WBC2124	WBC3924
WBC2424	WBC4224
WBC2724	

## WALL BOOKCASE – 30", 33" & 36" H

### MODIFICATION LIMITS

Width 12" – 48"  
 Height 24-1/4" – 36"  
 Depth 6" – 24"

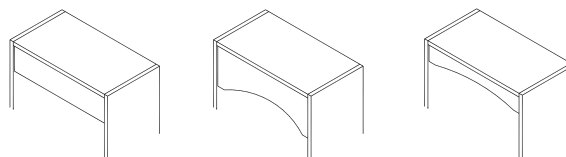
- See notes above
- Two adjustable shelves



WBC	
30"   33"   36" H	
WBC12__	WBC30__
WBC15__	WBC33__
WBC18__	WBC36__
WBC21__	WBC39__
WBC24__	WBC42__
WBC27__	

### Optional Top Rail Valances

Available for all WBCs shown (See Modification section)



# Wall Cabinets

	C0	C1	C2	C4	C4A	C5	C7	C7A	C9	C9A	C10	C10A	C11	C12	C12A	C13	C13A	C14	C15	C16
<b>WALL BOOKCASE – 18" H</b>																				
WBC1218	298	298	298	310	310	298	298	298	298	298	298	298	298	298	298	310	310	298	298	298
WBC1518	361	361	361	377	377	361	361	361	361	361	361	361	361	361	361	377	377	361	361	361
WBC1818	388	388	388	404	404	388	388	388	388	388	388	388	388	388	388	404	404	388	388	388
WBC2118	412	412	412	429	429	412	412	412	412	412	412	412	412	412	412	429	429	412	412	412
WBC2418	439	439	439	460	460	439	439	439	439	439	439	439	439	439	439	460	460	439	439	439
WBC2718	465	465	465	485	485	465	465	465	465	465	465	465	465	465	465	485	485	465	465	465
WBC3018	492	492	492	514	514	492	492	492	492	492	492	492	492	492	492	514	514	492	492	492
WBC3318	519	519	519	541	541	519	519	519	519	519	519	519	519	519	519	541	541	519	519	519
WBC3618	544	544	544	568	568	544	544	544	544	544	544	544	544	544	544	568	568	544	544	544
WBC3918	585	585	585	612	612	585	585	585	585	585	585	585	585	585	585	612	612	585	585	585
WBC4218	626	626	626	655	655	626	626	626	626	626	626	626	626	626	626	655	655	626	626	626
<b>WALL BOOKCASE – 24" H</b>																				
WBC1224	382	382	382	399	399	382	382	382	382	382	382	382	382	382	382	399	399	382	382	382
WBC1524	465	465	465	485	485	465	465	465	465	465	465	465	465	465	465	485	485	465	465	465
WBC1824	500	500	500	522	522	500	500	500	500	500	500	500	500	500	500	522	522	500	500	500
WBC2124	533	533	533	556	556	533	533	533	533	533	533	533	533	533	533	556	556	533	533	533
WBC2424	570	570	570	595	595	570	570	570	570	570	570	570	570	570	570	595	595	570	570	570
WBC2724	604	604	604	631	631	604	604	604	604	604	604	604	604	604	604	631	631	604	604	604
WBC3024	639	639	639	668	668	639	639	639	639	639	639	639	639	639	639	668	668	639	639	639
WBC3324	675	675	675	706	706	675	675	675	675	675	675	675	675	675	675	706	706	675	675	675
WBC3624	709	709	709	741	741	709	709	709	709	709	709	709	709	709	709	741	741	709	709	709
WBC3924	763	763	763	799	799	763	763	763	763	763	763	763	763	763	763	799	799	763	763	763
WBC4224	819	819	819	856	856	819	819	819	819	819	819	819	819	819	819	856	856	819	819	819
<b>WALL BOOKCASE – 30" H</b>																				
WBC1230	392	392	392	410	410	392	392	392	392	392	392	392	392	392	392	410	410	392	392	392
WBC1530	478	478	478	500	500	478	478	478	478	478	478	478	478	478	478	500	500	478	478	478
WBC1830	514	514	514	538	538	514	514	514	514	514	514	514	514	514	514	538	538	514	514	514
WBC2130	548	548	548	573	573	548	548	548	548	548	548	548	548	548	548	573	573	548	548	548
WBC2430	585	585	585	612	612	585	585	585	585	585	585	585	585	585	585	612	612	585	585	585
WBC2730	621	621	621	650	650	621	621	621	621	621	621	621	621	621	621	650	650	621	621	621
WBC3030	656	656	656	687	687	656	656	656	656	656	656	656	656	656	656	687	687	656	656	656
WBC3330	692	692	692	724	724	692	692	692	692	692	692	692	692	692	692	724	724	692	692	692
WBC3630	728	728	728	762	762	728	728	728	728	728	728	728	728	728	728	762	762	728	728	728
WBC3930	784	784	784	821	821	784	784	784	784	784	784	784	784	784	784	821	821	784	784	784
WBC4230	841	841	841	880	880	841	841	841	841	841	841	841	841	841	841	880	880	841	841	841
<b>WALL BOOKCASE – 33" &amp; 36" H</b>																				
WBC12(H)	414	414	414	432	432	414	414	414	414	414	414	414	414	414	414	432	432	414	414	414
WBC15(H)	505	505	505	527	527	505	505	505	505	505	505	505	505	505	505	527	527	505	505	505
WBC18(H)	543	543	543	568	568	543	543	543	543	543	543	543	543	543	543	568	568	543	543	543
WBC21(H)	580	580	580	607	607	580	580	580	580	580	580	580	580	580	580	607	607	580	580	580
WBC24(H)	617	617	617	646	646	617	617	617	617	617	617	617	617	617	617	646	646	617	617	617
WBC27(H)	655	655	655	685	685	655	655	655	655	655	655	655	655	655	655	685	685	655	655	655
WBC30(H)	690	690	690	722	722	690	690	690	690	690	690	690	690	690	690	722	722	690	690	690
WBC33(H)	728	728	728	762	762	728	728	728	728	728	728	728	728	728	728	762	762	728	728	728
WBC36(H)	765	765	765	801	801	765	765	765	765	765	765	765	765	765	765	801	801	765	765	765
WBC39(H)	824	824	824	863	863	824	824	824	824	824	824	824	824	824	824	863	863	824	824	824
WBC42(H)	884	884	884	926	926	884	884	884	884	884	884	884	884	884	884	926	926	884	884	884

"(H)" Specify height

# Wall Cabinets

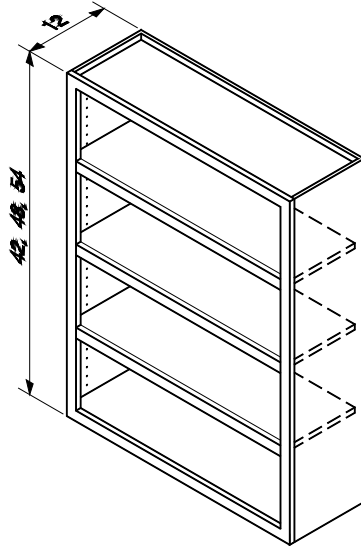
## WALL BOOKCASE – 39" to 54" H

### MODIFICATION LIMITS

Width 12" – 48"  
 Height 36-1/4" – 54"  
 Depth 6" – 24"

- Three adjustable shelves w/ 1-1/2" H double eased front edge
- Clear locking shelf clips are installed and nickel shelf clips sent loose
- Finished interior (FMI)
- Exterior ends not finished

- Inside of frame opening has eased edge
- Width exceeds 36": PLY cabinet box required (up-charges apply)
- Width exceeds 42": max. depth is 18"
- We do not recommend storing heavy loads on cabinets over 36" W



### WBC

39" | 42" | 45" | 48" | 51" | 54" H

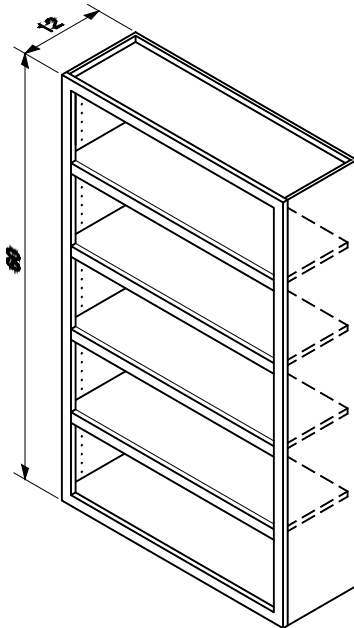
WBC12 \_\_  
 WBC15 \_\_  
 WBC18 \_\_  
 WBC21 \_\_  
 WBC24 \_\_  
 WBC27 \_\_  
 WBC30 \_\_  
 WBC33 \_\_  
 WBC36 \_\_  
 WBC39 \_\_  
 WBC42 \_\_

## WALL BOOKCASE – 57" & 60" H

### MODIFICATION LIMITS

Width 12" – 48"  
 Height 54-1/4" – 66"  
 Depth 6" – 24"

- See notes above
- Four adjustable shelves



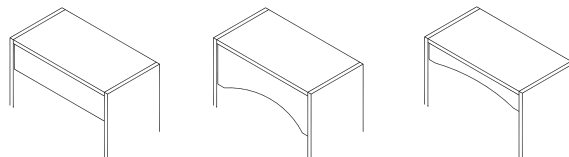
### WBC

57" | 60" H

WBC12 \_\_  
 WBC15 \_\_  
 WBC18 \_\_  
 WBC21 \_\_  
 WBC24 \_\_  
 WBC27 \_\_  
 WBC30 \_\_  
 WBC33 \_\_  
 WBC36 \_\_  
 WBC39 \_\_  
 WBC42 \_\_

### Optional Top Rail Valances

Available for all WBCs shown (See Modification section)



# Wall Cabinets

	C0	C1	C2	C4	C4A	C5	C7	C7A	C9	C9A	C10	C10A	C11	C12	C12A	C13	C13A	C14	C15	C16
<b>WALL BOOKCASE – 39" &amp; 42" H</b>																				
WBC12(H)	460	460	460	480	480	460	460	460	460	460	460	460	460	460	460	480	480	460	460	460
WBC15(H)	563	563	563	589	589	563	563	563	563	563	563	563	563	563	563	589	589	563	563	563
WBC18(H)	609	609	609	638	638	609	609	609	609	609	609	609	609	609	609	638	638	609	609	609
WBC21(H)	653	653	653	683	683	653	653	653	653	653	653	653	653	653	653	683	683	653	653	653
WBC24(H)	697	697	697	729	729	697	697	697	697	697	697	697	697	697	697	729	729	697	697	697
WBC27(H)	741	741	741	775	775	741	741	741	741	741	741	741	741	741	741	775	775	741	741	741
WBC30(H)	787	787	787	824	824	787	787	787	787	787	787	787	787	787	787	824	824	787	787	787
WBC33(H)	831	831	831	870	870	831	831	831	831	831	831	831	831	831	831	870	870	831	831	831
WBC36(H)	875	875	875	916	916	875	875	875	875	875	875	875	875	875	875	916	916	875	875	875
WBC39(H)	945	945	945	989	989	945	945	945	945	945	945	945	945	945	945	989	989	945	945	945
WBC42(H)	1013	1013	1013	1060	1060	1013	1013	1013	1013	1013	1013	1013	1013	1013	1013	1060	1060	1013	1013	1013
<b>WALL BOOKCASE – 45" &amp; 48" H</b>																				
WBC12(H)	646	646	646	677	677	646	646	646	646	646	646	646	646	646	646	677	677	646	646	646
WBC15(H)	795	795	795	833	833	795	795	795	795	795	795	795	795	795	795	833	833	795	795	795
WBC18(H)	863	863	863	904	904	863	863	863	863	863	863	863	863	863	863	904	904	863	863	863
WBC21(H)	929	929	929	974	974	929	929	929	929	929	929	929	929	929	929	974	974	929	929	929
WBC24(H)	997	997	997	1045	1045	997	997	997	997	997	997	997	997	997	997	1045	1045	997	997	997
WBC27(H)	1063	1063	1063	1114	1114	1063	1063	1063	1063	1063	1063	1063	1063	1063	1063	1114	1114	1063	1063	1063
WBC30(H)	1133	1133	1133	1187	1187	1133	1133	1133	1133	1133	1133	1133	1133	1133	1133	1187	1187	1133	1133	1133
WBC33(H)	1199	1199	1199	1257	1257	1199	1199	1199	1199	1199	1199	1199	1199	1199	1199	1257	1257	1199	1199	1199
WBC36(H)	1265	1265	1265	1326	1326	1265	1265	1265	1265	1265	1265	1265	1265	1265	1265	1326	1326	1265	1265	1265
WBC39(H)	1367	1367	1367	1433	1433	1367	1367	1367	1367	1367	1367	1367	1367	1367	1367	1433	1433	1367	1367	1367
WBC42(H)	1469	1469	1469	1540	1540	1469	1469	1469	1469	1469	1469	1469	1469	1469	1469	1540	1540	1469	1469	1469
<b>WALL BOOKCASE – 51" &amp; 54" H</b>																				
WBC12(H)	704	704	704	738	738	704	704	704	704	704	704	704	704	704	704	738	738	704	704	704
WBC18(H)	868	868	868	909	909	868	868	868	868	868	868	868	868	868	868	909	909	868	868	868
WBC15(H)	946	946	946	990	990	946	946	946	946	946	946	946	946	946	946	990	990	946	946	946
WBC21(H)	1023	1023	1023	1072	1072	1023	1023	1023	1023	1023	1023	1023	1023	1023	1023	1072	1072	1023	1023	1023
WBC24(H)	1099	1099	1099	1152	1152	1099	1099	1099	1099	1099	1099	1099	1099	1099	1099	1152	1152	1099	1099	1099
WBC27(H)	1177	1177	1177	1233	1233	1177	1177	1177	1177	1177	1177	1177	1177	1177	1177	1233	1233	1177	1177	1177
WBC30(H)	1257	1257	1257	1318	1318	1257	1257	1257	1257	1257	1257	1257	1257	1257	1257	1318	1318	1257	1257	1257
WBC33(H)	1331	1331	1331	1396	1396	1331	1331	1331	1331	1331	1331	1331	1331	1331	1331	1396	1396	1331	1331	1331
WBC36(H)	1409	1409	1409	1477	1477	1409	1409	1409	1409	1409	1409	1409	1409	1409	1409	1477	1477	1409	1409	1409
WBC39(H)	1523	1523	1523	1596	1596	1523	1523	1523	1523	1523	1523	1523	1523	1523	1523	1596	1596	1523	1523	1523
WBC42(H)	1637	1637	1637	1715	1715	1637	1637	1637	1637	1637	1637	1637	1637	1637	1637	1715	1715	1637	1637	1637
<b>WALL BOOKCASE – 57" &amp; 60" H</b>																				
WBC12(H)	758	758	758	794	794	758	758	758	758	758	758	758	758	758	758	794	794	758	758	758
WBC15(H)	936	936	936	980	980	936	936	936	936	936	936	936	936	936	936	980	980	936	936	936
WBC18(H)	1021	1021	1021	1070	1070	1021	1021	1021	1021	1021	1021	1021	1021	1021	1021	1070	1070	1021	1021	1021
WBC21(H)	1106	1106	1106	1158	1158	1106	1106	1106	1106	1106	1106	1106	1106	1106	1106	1158	1158	1106	1106	1106
WBC24(H)	1191	1191	1191	1248	1248	1191	1191	1191	1191	1191	1191	1191	1191	1191	1191	1248	1248	1191	1191	1191
WBC27(H)	1275	1275	1275	1336	1336	1275	1275	1275	1275	1275	1275	1275	1275	1275	1275	1336	1336	1275	1275	1275
WBC30(H)	1364	1364	1364	1430	1430	1364	1364	1364	1364	1364	1364	1364	1364	1364	1364	1430	1430	1364	1364	1364
WBC33(H)	1447	1447	1447	1516	1516	1447	1447	1447	1447	1447	1447	1447	1447	1447	1447	1516	1516	1447	1447	1447
WBC36(H)	1531	1531	1531	1606	1606	1531	1531	1531	1531	1531	1531	1531	1531	1531	1531	1606	1606	1531	1531	1531
WBC39(H)	1655	1655	1655	1737	1737	1655	1655	1655	1655	1655	1655	1655	1655	1655	1655	1737	1737	1655	1655	1655
WBC42(H)	1779	1779	1779	1866	1866	1779	1779	1779	1779	1779	1779	1779	1779	1779	1779	1866	1866	1779	1779	1779

"(H)" Specify height

# Wall Cabinets

## WALL HUTCH CABINET 48", 51", 54" H

### MODIFICATION LIMITS

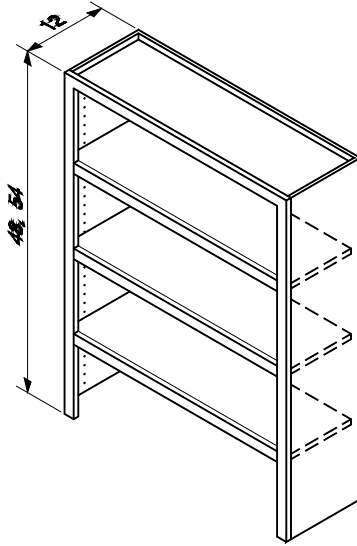
Width 12" – 48"  
 Height 36-1/4" – 54"  
 Depth 6" – 24"

#### • Important:

Must be secured to counter to prevent ends from spreading and shelves from falling

- Three adjustable shelves w/ 1-1/2" H double eased front edge
- Clear locking shelf clips are installed and nickel shelf clips sent loose
- Finished interior (FMI)
- Exterior ends not finished

- Inside of frame opening has eased edge
- Width exceeds 36": PLY cabinet box required (up-charges apply)
- Width exceeds 42": max. depth is 18"
- We do not recommend storing heavy loads on cabinets over 36" W



### WHC

48" | 51" | 54" H

WHC12__	WHC30__
WHC15__	WHC33__
WHC18__	WHC36__
WHC21__	WHC39__
WHC24__	WHC42__
WHC27__	

## WALL HUTCH CABINET – 57" & 60" H

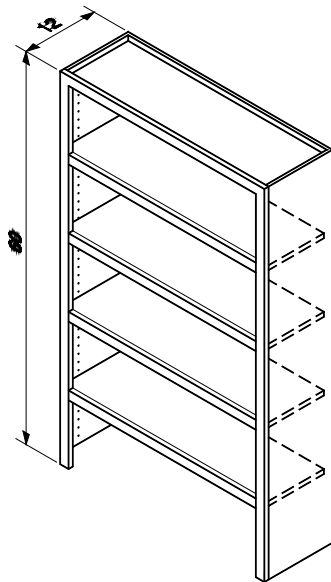
### MODIFICATION LIMITS

Width 12" – 48"  
 Height 54-1/4" – 66"  
 Depth 6" – 24"

#### • Important:

Must be secured to counter to prevent ends from spreading and shelves from falling

- See notes above
- Four adjustable shelves



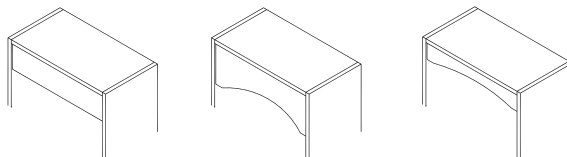
### WHC

57" | 60" H

WHC12__	WHC30__
WHC15__	WHC33__
WHC18__	WHC36__
WHC21__	WHC39__
WHC24__	WHC42__
WHC27__	

### Optional Top Rail Valances

Available for all WHCs shown (See Modification section)





# Wall Cabinets

	C0	C1	C2	C4	C4A	C5	C7	C7A	C9	C9A	C10	C10A	C11	C12	C12A	C13	C13A	C14	C15	C16
<b>WALL HUTCH CABINET – 48" H</b>																				
WHC1248	646	646	646	677	677	646	646	646	646	646	646	646	646	646	646	677	677	646	646	646
WHC1548	795	795	795	833	833	795	795	795	795	795	795	795	795	795	795	833	833	795	795	795
WHC1848	863	863	863	904	904	863	863	863	863	863	863	863	863	863	863	904	904	863	863	863
WHC2148	929	929	929	974	974	929	929	929	929	929	929	929	929	929	929	974	974	929	929	929
WHC2448	997	997	997	1045	1045	997	997	997	997	997	997	997	997	997	997	1045	1045	997	997	997
WHC2748	1063	1063	1063	1114	1114	1063	1063	1063	1063	1063	1063	1063	1063	1063	1063	1114	1114	1063	1063	1063
WHC3048	1133	1133	1133	1187	1187	1133	1133	1133	1133	1133	1133	1133	1133	1133	1133	1187	1187	1133	1133	1133
WHC3348	1199	1199	1199	1257	1257	1199	1199	1199	1199	1199	1199	1199	1199	1199	1199	1257	1257	1199	1199	1199
WHC3648	1265	1265	1265	1326	1326	1265	1265	1265	1265	1265	1265	1265	1265	1265	1265	1326	1326	1265	1265	1265
WHC3948	1367	1367	1367	1433	1433	1367	1367	1367	1367	1367	1367	1367	1367	1367	1367	1433	1433	1367	1367	1367
WHC4248	1469	1469	1469	1540	1540	1469	1469	1469	1469	1469	1469	1469	1469	1469	1469	1540	1540	1469	1469	1469
<b>WALL HUTCH CABINET – 51" &amp; 54" H</b>																				
WHC12(H)	704	704	704	738	738	704	704	704	704	704	704	704	704	704	704	738	738	704	704	704
WHC15(H)	868	868	868	909	909	868	868	868	868	868	868	868	868	868	868	909	909	868	868	868
WHC18(H)	946	946	946	990	990	946	946	946	946	946	946	946	946	946	946	990	990	946	946	946
WHC21(H)	1023	1023	1023	1072	1072	1023	1023	1023	1023	1023	1023	1023	1023	1023	1023	1072	1072	1023	1023	1023
WHC24(H)	1099	1099	1099	1152	1152	1099	1099	1099	1099	1099	1099	1099	1099	1099	1099	1152	1152	1099	1099	1099
WHC27(H)	1177	1177	1177	1233	1233	1177	1177	1177	1177	1177	1177	1177	1177	1177	1177	1233	1233	1177	1177	1177
WHC30(H)	1257	1257	1257	1318	1318	1257	1257	1257	1257	1257	1257	1257	1257	1257	1257	1318	1318	1257	1257	1257
WHC33(H)	1331	1331	1331	1396	1396	1331	1331	1331	1331	1331	1331	1331	1331	1331	1331	1396	1396	1331	1331	1331
WHC36(H)	1409	1409	1409	1477	1477	1409	1409	1409	1409	1409	1409	1409	1409	1409	1409	1477	1477	1409	1409	1409
WHC39(H)	1523	1523	1523	1596	1596	1523	1523	1523	1523	1523	1523	1523	1523	1523	1523	1596	1596	1523	1523	1523
WHC42(H)	1637	1637	1637	1715	1715	1637	1637	1637	1637	1637	1637	1637	1637	1637	1637	1715	1715	1637	1637	1637
<b>WALL HUTCH CABINET – 57" &amp; 60" H</b>																				
WHC12(H)	758	758	758	794	794	758	758	758	758	758	758	758	758	758	758	794	794	758	758	758
WHC15(H)	936	936	936	980	980	936	936	936	936	936	936	936	936	936	936	980	980	936	936	936
WHC18(H)	1021	1021	1021	1070	1070	1021	1021	1021	1021	1021	1021	1021	1021	1021	1021	1070	1070	1021	1021	1021
WHC21(H)	1106	1106	1106	1158	1158	1106	1106	1106	1106	1106	1106	1106	1106	1106	1106	1158	1158	1106	1106	1106
WHC24(H)	1191	1191	1191	1248	1248	1191	1191	1191	1191	1191	1191	1191	1191	1191	1191	1248	1248	1191	1191	1191
WHC27(H)	1275	1275	1275	1336	1336	1275	1275	1275	1275	1275	1275	1275	1275	1275	1275	1336	1336	1275	1275	1275
WHC30(H)	1364	1364	1364	1430	1430	1364	1364	1364	1364	1364	1364	1364	1364	1364	1364	1430	1430	1364	1364	1364
WHC33(H)	1447	1447	1447	1516	1516	1447	1447	1447	1447	1447	1447	1447	1447	1447	1447	1516	1516	1447	1447	1447
WHC36(H)	1531	1531	1531	1606	1606	1531	1531	1531	1531	1531	1531	1531	1531	1531	1531	1606	1606	1531	1531	1531
WHC39(H)	1655	1655	1655	1737	1737	1655	1655	1655	1655	1655	1655	1655	1655	1655	1655	1737	1737	1655	1655	1655
WHC42(H)	1779	1779	1779	1866	1866	1779	1779	1779	1779	1779	1779	1779	1779	1779	1779	1866	1866	1779	1779	1779

"(H)" Specify height

# Wall Cabinets

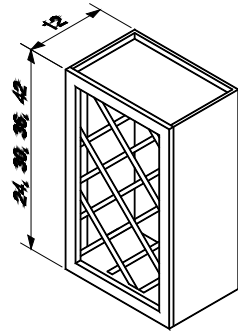
## WALL WINE RACK – LATTICE

- Finished Interior (FMI)
- Inside of frame opening has eased edge
- Lattice is recessed 1-1/2" from face of cabinet (won't change if depth is increased)

- A false back will be installed when depth is increased to 15" or greater
- **Not available:** Black Walnut, Sapele

### MODIFICATION LIMITS

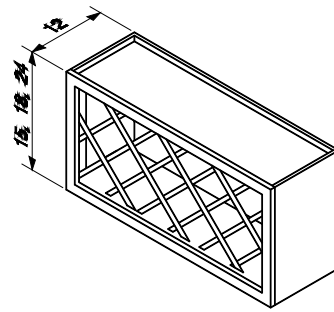
Width 15" – 24"  
 Height 15" – 42"  
 Depth 12" – 24"



Vertical cabinet

### MODIFICATION LIMITS

Width 24-1/4" – 42"  
 Height 15" – 24"  
 Depth 12" – 24"

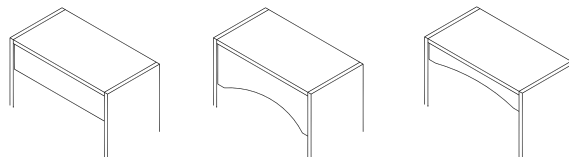


Horizontal cabinet

WWRL	Approximate Bottle Capacity
24" H	
WWRL1524	7
WWRL1824	8
WWRL2124	8
WWRL2424	13
30" H	
WWRL1530	10
WWRL1830	11
WWRL2130	11
WWRL2430	18
33" & 36" H	
WWRL15__	13
WWRL18__	15
WWRL21__	23
WWRL24__	23
39" & 42" H	
WWRL15__	16
WWRL18__	17
WWRL21__	28
WWRL24__	28

WWRL	Approximate Bottle Capacity
15" H	
WWRL3015	7
WWRL3315	8
WWRL3615	9
WWRL3915	10
18" H	
WWRL3018	10
WWRL3318	12
WWRL3618	14
WWRL3918	15
24" H	
WWRL3024	17
WWRL3324	20
WWRL3624	23
WWRL3924	25

### Optional Top Rail Valances (See Modification section)



# Wall Cabinets

	C0	C1	C2	C4	C4A	C5	C7	C7A	C9	C9A	C10	C10A	C11	C12	C12A	C13	C13A	C14	C15	C16
<b>WALL WINE RACK – LATTICE - 15" H</b>																				
WWRL3015	680	680	680	712	712	680	680	680	680	680	680	680	680	680	680	712	712	680	680	680
WWRL3315	731	731	731	765	765	731	731	731	731	731	731	731	731	731	731	765	765	731	731	731
WWRL3615	780	780	780	817	817	780	780	780	780	780	780	780	780	780	780	817	817	780	780	780
WWRL3915	846	846	846	887	887	846	846	846	846	846	846	846	846	846	846	887	887	846	846	846
<b>WALL WINE RACK – LATTICE - 18" H</b>																				
WWRL3018	745	745	745	780	780	745	745	745	745	745	745	745	745	745	745	780	780	745	745	745
WWRL3318	799	799	799	836	836	799	799	799	799	799	799	799	799	799	799	836	836	799	799	799
WWRL3618	853	853	853	894	894	853	853	853	853	853	853	853	853	853	853	894	894	853	853	853
WWRL3918	928	928	928	972	972	928	928	928	928	928	928	928	928	928	928	972	972	928	928	928
<b>WALL WINE RACK – LATTICE - 24" H</b>																				
WWRL1524	655	655	655	685	685	655	655	655	655	655	655	655	655	655	655	685	685	655	655	655
WWRL1824	753	753	753	789	789	753	753	753	753	753	753	753	753	753	753	789	789	753	753	753
WWRL2124	851	851	851	892	892	851	851	851	851	851	851	851	851	851	851	892	892	851	851	851
WWRL2424	963	963	963	1009	1009	963	963	963	963	963	963	963	963	963	963	1009	1009	963	963	963
WWRL3024	1021	1021	1021	1070	1070	1021	1021	1021	1021	1021	1021	1021	1021	1021	1021	1070	1070	1021	1021	1021
WWRL3324	1102	1102	1102	1155	1155	1102	1102	1102	1102	1102	1102	1102	1102	1102	1102	1155	1155	1102	1102	1102
WWRL3624	1182	1182	1182	1238	1238	1182	1182	1182	1182	1182	1182	1182	1182	1182	1182	1238	1238	1182	1182	1182
WWRL3924	1291	1291	1291	1353	1353	1291	1291	1291	1291	1291	1291	1291	1291	1291	1291	1353	1353	1291	1291	1291
<b>WALL WINE RACK – LATTICE - 30" H</b>																				
WWRL1530	739	739	739	773	773	739	739	739	739	739	739	739	739	739	739	773	773	739	739	739
WWRL1830	838	838	838	877	877	838	838	838	838	838	838	838	838	838	838	877	877	838	838	838
WWRL2130	936	936	936	980	980	936	936	936	936	936	936	936	936	936	936	980	980	936	936	936
WWRL2430	1048	1048	1048	1097	1097	1048	1048	1048	1048	1048	1048	1048	1048	1048	1048	1097	1097	1048	1048	1048
<b>WALL WINE RACK – LATTICE - 33" &amp; 36" H</b>																				
WWRL15(H)	809	809	809	846	846	809	809	809	809	809	809	809	809	809	809	846	846	809	809	809
WWRL18(H)	918	918	918	962	962	918	918	918	918	918	918	918	918	918	918	962	962	918	918	918
WWRL21(H)	1026	1026	1026	1075	1075	1026	1026	1026	1026	1026	1026	1026	1026	1026	1026	1075	1075	1026	1026	1026
WWRL24(H)	1148	1148	1148	1202	1202	1148	1148	1148	1148	1148	1148	1148	1148	1148	1148	1202	1202	1148	1148	1148
<b>WALL WINE RACK – LATTICE - 39" &amp; 42" H</b>																				
WWRL15(H)	921	921	921	965	965	921	921	921	921	921	921	921	921	921	921	965	965	921	921	921
WWRL18(H)	1048	1048	1048	1097	1097	1048	1048	1048	1048	1048	1048	1048	1048	1048	1048	1097	1097	1048	1048	1048
WWRL21(H)	1175	1175	1175	1231	1231	1175	1175	1175	1175	1175	1175	1175	1175	1175	1175	1231	1231	1175	1175	1175
WWRL24(H)	1319	1319	1319	1382	1382	1319	1319	1319	1319	1319	1319	1319	1319	1319	1319	1382	1382	1319	1319	1319

“(H)” Specify height

# Wall Cabinets

\* L or R required

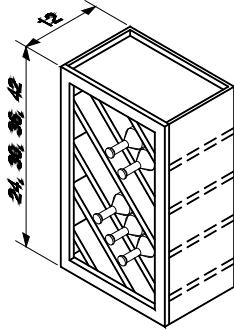
## WALL WINE RACK – DIAGONAL

### MODIFICATION LIMITS

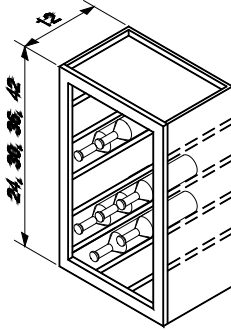
Width No width mods  
 Height No height mods  
 Depth 12" – 15"

- Finished Interior (FMI)
- Inside of frame opening has eased edge
- Diagonal shelves are recessed 3/4" from face of cabinet

- Distance between shelves is always 4"
- Number of shelves depends on height of cabinet
- Right or Left determined by high side of shelves (see images below)

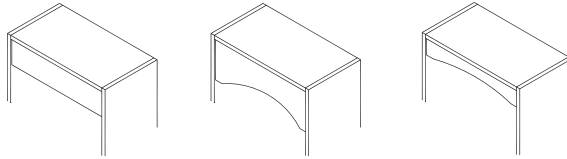


Left Shown



Right Shown

### Optional Top Rail Valances (See Modification section)



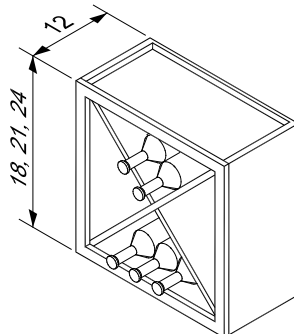
WWRD (L/R)	Approximate Bottle Capacity
24" H	
WWRD1224*	8
WWRD1524*	11
WWRD1824*	14
30" H	
WWRD1230*	12
WWRD1530*	15
WWRD1830*	19
33" & 36" H	
WWRD12__*	14
WWRD15__*	18
WWRD18__*	23
39" & 42" H	
WWRD12__*	17
WWRD15__*	22
WWRD18__*	28

## WALL WINE RACK – X GRID

### MODIFICATION LIMITS

No Modifications

- Finished interior (FMI)
- Inside of frame opening has eased edge
- X grid shelves are recessed 3/4" from face of cabinet
- Bottle capacity chart (see below) is based on 3" diameter bottles
- **Not available:** Installed top rail valances



WWRX	MSRP	Approximate Bottle Capacity
WxH		
WWRX1818	1248	15
WWRX2121	1272	24
WWRX2424	1304	35

# Wall Cabinets

\* L or R required

	C0	C1	C2	C4	C4A	C5	C7	C7A	C9	C9A	C10	C10A	C11	C12	C12A	C13	C13A	C14	C15	C16
<b>WALL WINE RACK – DIAGONAL - 24" H</b>																				
WWRD1224*	1864	1864	1864	1954	1954	1864	1864	1864	1864	1864	1864	1864	1864	1864	1864	1954	1954	1864	1864	1864
WWRD1524*	1984	1984	1984	2081	2081	1984	1984	1984	1984	1984	1984	1984	1984	1984	1984	2081	2081	1984	1984	1984
WWRD1824*	2105	2105	2105	2206	2206	2105	2105	2105	2105	2105	2105	2105	2105	2105	2105	2206	2206	2105	2105	2105
<b>WALL WINE RACK – DIAGONAL - 30" H</b>																				
WWRD1230*	2105	2105	2105	2208	2208	2105	2105	2105	2105	2105	2105	2105	2105	2105	2105	2208	2208	2105	2105	2105
WWRD1530*	2223	2223	2223	2332	2332	2223	2223	2223	2223	2223	2223	2223	2223	2223	2223	2332	2332	2223	2223	2223
WWRD1830*	2344	2344	2344	2458	2458	2344	2344	2344	2344	2344	2344	2344	2344	2344	2344	2458	2458	2344	2344	2344
<b>WALL WINE RACK – DIAGONAL - 33" &amp; 36" H</b>																				
WWRD12(H)*	2337	2337	2337	2451	2451	2337	2337	2337	2337	2337	2337	2337	2337	2337	2337	2451	2451	2337	2337	2337
WWRD15(H)*	2456	2456	2456	2575	2575	2456	2456	2456	2456	2456	2456	2456	2456	2456	2456	2575	2575	2456	2456	2456
WWRD18(H)*	2575	2575	2575	2700	2700	2575	2575	2575	2575	2575	2575	2575	2575	2575	2575	2700	2700	2575	2575	2575
<b>WALL WINE RACK – DIAGONAL - 39" &amp; 42" H</b>																				
WWRD12(H)*	2717	2717	2717	2851	2851	2717	2717	2717	2717	2717	2717	2717	2717	2717	2717	2851	2851	2717	2717	2717
WWRD15(H)*	2832	2832	2832	2971	2971	2832	2832	2832	2832	2832	2832	2832	2832	2832	2832	2971	2971	2832	2832	2832
WWRD18(H)*	2949	2949	2949	3095	3095	2949	2949	2949	2949	2949	2949	2949	2949	2949	2949	3095	3095	2949	2949	2949

"(H)" Specify height

# Wall Cabinets

\* L or R required

## WALL SPICE RACK WOOD

### MODIFICATION LIMITS

No Modifications

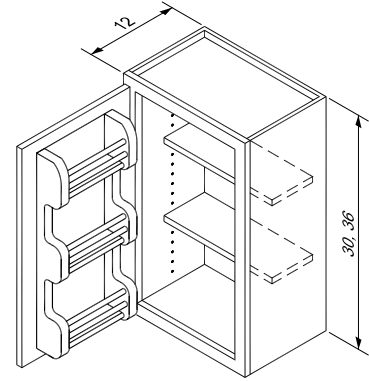
- Door spice rack: three fixed shelves, hardwood with natural wood finish
- Adjustable shelves inside of cabinet are 7-5/16" deep to accommodate spice rack

WSRW

30" | 36" H

WSRW15\_\_\*

WSRW18\_\_\*



## WALL PANTRY PULL-OUT

### MODIFICATION LIMITS

No Modifications

- Plywood pull-out with natural wood finish
- Four shelves (three adjustable) with chrome rails
- Cabinets 36" H and 42" H have additional space above top shelf
- Zinc full-extension guides
- Allow clearance adjacent to pull-out for hardware, appliances, and wall mouldings when pull-out is extended
- Extra chrome rails are included to use with 36" H and 42" H cabinets, install on top shelf of pull-out (pre-drilled) to create more storage (see images)

- Pull-out dimensions:

9" W: 5" W x 26-1/4" H x 10-3/4" D

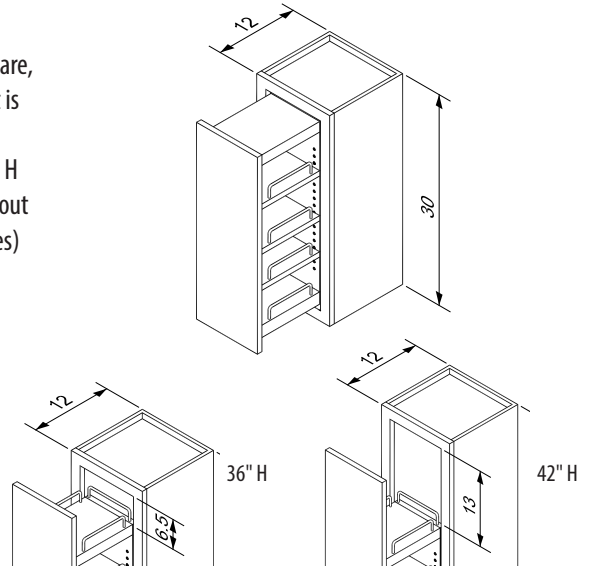
12" W: 8" W x 26-1/4" H x 10-3/4" D

WPP

30" | 33" | 36" | 39" | 42" H

WPP09\_\_

WPP12\_\_



## WALL PULL-OUT STAINLESS STEEL

### MODIFICATION LIMITS

No Modifications

- Pull-out is plywood with natural wood finish
- Chrome rails; magnetic stainless steel panel with an assortment of black pegs and hooks
- Cabinets 36" H and 42" H have additional space above top shelf
- Zinc full-extension guides

- Specify Right or Left orientation (Left shown)

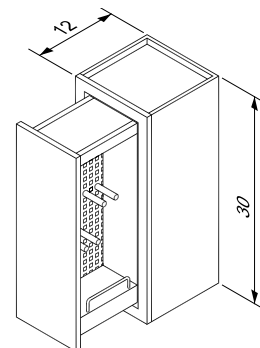
- Pull-out dimensions:

5" W x 26-1/4" H x 10-3/4" D

WPSS (L/R)

30" | 36" | 42" H

WPSS09\_\_\*



Left Shown

# Wall Cabinets

\* L or R required

	C0	C1	C2	C4	C4A	C5	C7	C7A	C9	C9A	C10	C10A	C11	C12	C12A	C13	C13A	C14	C15	C16
<b>WALL SPICE RACK - WOOD</b>																				
WSRW1530*	465	527	550	653	722	853	560	622	634	700	660	724	714	736	807	760	834	809	907	1019
WSRW1830*	519	580	619	736	812	967	634	702	714	787	753	826	812	834	914	862	945	916	1026	1152
WSRW1536*	480	526	573	685	760	906	585	651	665	736	695	765	756	778	856	806	887	858	963	1084
WSRW1836*	534	590	644	772	853	1028	663	736	748	826	795	873	862	884	972	914	1006	974	1092	1228
	C0	C1	C2	C4	C4A	C5	C7	C7A	C9	C9A	C10	C10A	C11	C12	C12A	C13	C13A	C14	C15	C16
<b>WALL PANTRY PULL-OUT - 30" H</b>																				
WPP0930	745	792	804	884	926	1080	831	870	845	884	855	895	853	879	919	919	963	1004	979	1136
WPP1230	765	834	851	936	980	1167	880	923	894	936	924	968	923	950	996	996	1043	1084	1091	1269
<b>WALL PANTRY PULL-OUT - 33" &amp; 36" H</b>																				
WPP09(H)	780	809	823	904	946	1102	850	890	863	904	872	912	872	897	940	940	984	1024	996	1157
WPP12(H)	807	846	863	946	990	1180	890	933	904	946	936	980	933	960	1006	1006	1053	1097	1102	1282
<b>WALL PANTRY PULL-OUT - 39" &amp; 42" H</b>																				
WPP09(H)	797	828	840	923	967	1124	867	907	880	923	890	933	889	914	958	958	1004	1045	1014	1177
WPP12(H)	819	862	879	965	1011	1201	906	948	921	965	951	997	950	977	1023	1023	1072	1116	1118	1299
"(H)" Specify height																				
	C0	C1	C2	C4	C4A	C5	C7	C7A	C9	C9A	C10	C10A	C11	C12	C12A	C13	C13A	C14	C15	C16
<b>WALL PULL-OUT -STAINLESS STEEL</b>																				
WPSS0930*	972	999	1028	1107	1165	1245	1028	1077	1092	1146	1087	1138	1135	1157	1211	1175	1231	1211	1286	1370
WPSS0936*	985	1014	1045	1133	1191	1280	1045	1097	1116	1172	1113	1165	1165	1186	1245	1206	1267	1245	1325	1416
WPSS0942*	1006	1036	1070	1167	1230	1336	1072	1128	1148	1209	1148	1206	1209	1230	1296	1252	1321	1296	1384	1486

# Wall Cabinets

\* L or R required

## WALL FILLER PULL-OUT ORGANIZER NOTES

### FILLER PULL-OUTS:

- Designed to install between two cabinets
- Callout width=space required to install
- Plywood with natural wood finish
- Filler face is flush with frames of adjacent cabinets
  - (S) Square edge detail on all four sides
  - When installed, 1/16" reveal on each side
- Zinc full-extension guide mounted to top and bottom of pull-out

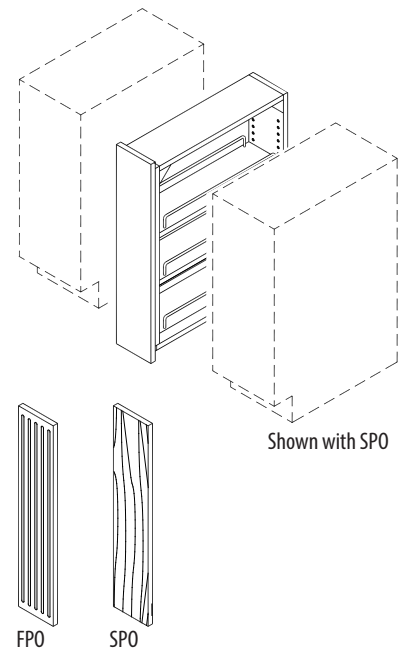
### OPTIONAL PLANT-ONS:

Fluted (FPO) and Solid (SPO) are for 3" or 6" widths

- Plant-on height equals Full Base door
- Edge detail matches door style
- Plant-ons are shipped loose
- Install at jobsite

### INSTALL/DESIGN Notes:

- Knob or pull required (not included)
- Flush opening required when installed next to face frame construction (see Opt. 1 – 3 below)
- Opt. 1: Install 3/8" thick x 3" W cleat directly behind pull-out hardware
  - Note: Unfinished exterior of cabinets will be visible when unit is pulled out
- Opt. 2: Order 3/8" finished end panels (separately) and install on adjacent cabinets at jobsite
  - Order panels to match frame color or Maple/Natural to match pull-out shelves
- Opt. 3: Order adjacent cabinets with installed finished/flush ends



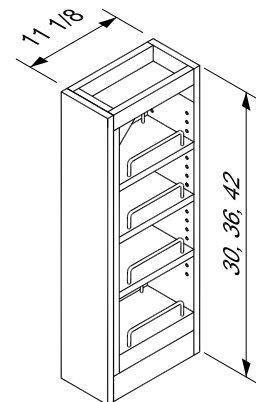
## WALL FILLER PULL-OUT SPICE RACK

- Four shelves (three adjustable) with chrome rails

### MODIFICATION LIMITS

No Modifications

WFPS06_	MSRP
30" H	
WFPS0630	1107
WFPS0630-FPO	1319
WFPS0630-SPO	1319
36" H	
WFPS0636	1277
WFPS0636-FPO	1489
WFPS0636-SPO	1489
42" H	
WFPS0642	1353
WFPS0642-FPO	1565
WFPS0642-SPO	1565





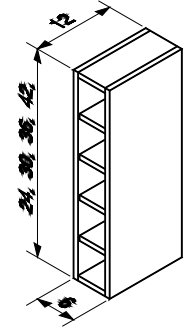
# Wall Cabinets

## WALL OPEN CUBBYHOLE

### MODIFICATION LIMITS

Width 6" – 12"  
 Height No Height Mods  
 Depth 12" – 24"

- 3/4" frameless construction
- Intermediate fixed shelves are set back 1/4" from cabinet face
- Openings are 4-1/2" wide
- Exterior ends, top, bottom and interior are finished



WOCH	Space Between Shelves	
	Top & Bottom	Middle Section
WOCH0624	2 at 5"	2 at 5-1/8"
WOCH0630	2 at 5-1/16"	3 at 5-1/8"
WOCH0636	2 at 5-1/6"	4 at 5-1/8"
WOCH0642	2 at 5-3/16"	5 at 5-1/8"

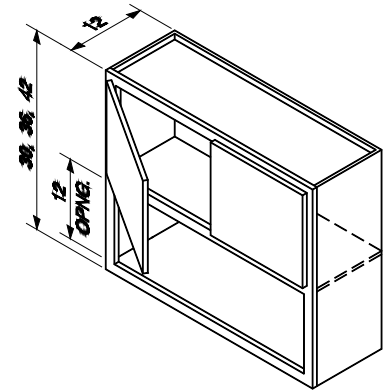
	C0	C1	C2	C4	C4A	C5	C7	C7A	C9	C9A	C10	C10A	C11	C12	C12A	C13	C13A	C14	C15	C16
WOCH0624	704	704	704	736	736	704	704	704	704	704	704	704	704	704	704	736	736	704	704	704
WOCH0630	743	743	743	777	777	743	743	743	743	743	743	743	743	743	743	777	777	743	743	743
WOCH0636	782	782	782	819	819	782	782	782	782	782	782	782	782	782	782	819	819	782	782	782
WOCH0642	804	804	804	841	841	804	804	804	804	804	804	804	804	804	804	841	841	804	804	804

## WALL DISPLAY

### MODIFICATION LIMITS

Width 18" – 48" (Inset: 21" min.)  
 Height 25-1/4" – 48"  
 Depth 12" – 24"

- Finished interior (FMI)
- Inside of frame opening has eased edge
- Height modifications made in door area



Overall Cabinet Height	Qty of Adj. Shelves
25-1/4" – 31-1/2"	0
31-3/4" – 40-1/2"	1
40-3/4" – 48"	2

WD  
 30" | 33" | 36" | 39" | 42" H  
 WD24\_DD  
 WD27\_\_  
 WD30\_\_  
 WD33\_\_  
 WD36\_\_

30" H	C0	C1	C2	C4	C4A	C5	C7	C7A	C9	C9A	C10	C10A	C11	C12	C12A	C13	C13A	C14	C15	C16
WD2430DD	1040	1097	1116	1233	1292	1584	1152	1208	1158	1214	1191	1248	1174	1209	1267	1287	1350	1442	1338	1623
WD2730	1068	1131	1152	1274	1335	1645	1191	1248	1197	1255	1240	1299	1223	1258	1319	1338	1403	1498	1408	1704
WD3030	1092	1157	1180	1314	1377	1704	1221	1280	1236	1296	1280	1342	1270	1308	1370	1391	1459	1554	1479	1788
WD3330	1128	1197	1225	1364	1430	1774	1265	1326	1282	1343	1335	1399	1323	1362	1428	1447	1516	1616	1555	1877
WD3630	1184	1257	1286	1430	1499	1864	1330	1394	1345	1409	1409	1477	1392	1435	1504	1523	1596	1701	1652	1989
33" & 36" H																				
WD24(H)DD	1104	1177	1202	1336	1401	1742	1248	1308	1257	1318	1311	1374	1297	1336	1401	1420	1487	1587	1535	1854
WD27(H)	1138	1219	1248	1386	1452	1820	1294	1357	1304	1367	1372	1438	1358	1399	1467	1486	1557	1659	1630	1964
WD30(H)	1167	1253	1286	1435	1504	1896	1333	1398	1350	1414	1426	1496	1418	1460	1531	1550	1625	1730	1723	2073
WD33(H)	1233	1326	1362	1518	1591	2011	1411	1479	1430	1499	1520	1593	1508	1554	1628	1649	1728	1838	1847	2218
WD36(H)	1270	1369	1408	1567	1643	2089	1459	1530	1476	1547	1582	1659	1569	1616	1694	1715	1798	1910	1942	2329
39" & 42" H																				
WD24(H)DD	1140	1225	1258	1406	1474	1859	1311	1374	1323	1387	1398	1465	1391	1431	1501	1520	1593	1696	1701	2049
WD27(H)	1177	1270	1308	1460	1531	1949	1364	1430	1374	1440	1469	1540	1459	1503	1576	1594	1672	1779	1815	2179
WD30(H)	1209	1309	1350	1513	1586	2037	1406	1474	1425	1494	1533	1608	1528	1574	1650	1669	1750	1861	1927	2312
WD33(H)	1277	1386	1431	1599	1677	2164	1489	1560	1508	1581	1635	1715	1628	1677	1759	1777	1864	1979	2069	2480
WD36(H)	1316	1431	1481	1654	1733	2254	1540	1615	1559	1635	1708	1791	1698	1749	1833	1854	1944	2062	2183	2610

"(H)" Specify height

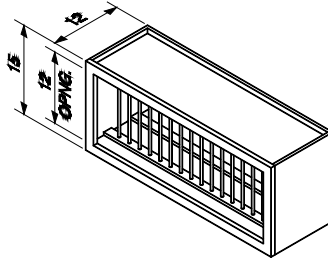
# Wall Cabinets

## PLATE DISPLAY

### MODIFICATION LIMITS

Width 24" – 36"  
 Height No Height Mods  
 Depth 12" – 18"

- Finished interior (FMI)
- Exterior is not finished
- Inside of frame opening has eased edge
- Three middle dowels in front and back row



- may be removed for cleaning
- A false back will be installed when depth is increased to 15" or greater
- Cherry dowels used with Alder or Sapele orders

PD	
15" H	Plate Openings
PD2415	10
PD2715	12
PD3015	13
PD3315	15
PD3615	16

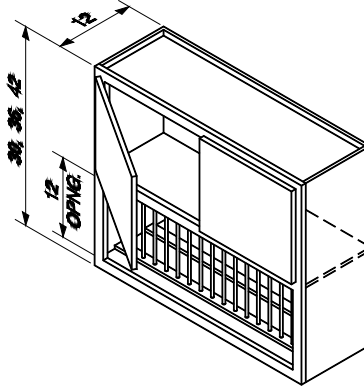
## WALL PLATE DISPLAY

### MODIFICATION LIMITS

Width 18" – 36" (Inset: 21" min.)  
 Height 25-1/2" – 48"  
 Depth 12" – 18"

- See notes above
- Height modifications made in door area

Overall Cabinet Height	Qty of Adj. Shelves
25-1/2" – 31-1/2"	0
31-3/4" – 40-1/2"	1
40-3/4" – 48"	2



WPD	
30"   33"   36"   39"   42" H	Plate Openings
WPD24__DD	10
WPD27__	12
WPD30__	13
WPD33__	15
WPD36__	16

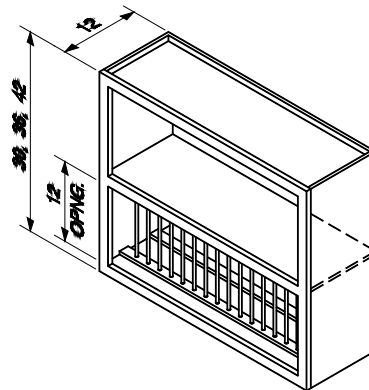
## WALL OPEN PLATE DISPLAY

### MODIFICATION LIMITS

Width 24" – 36"  
 Height 25-1/2" – 48"  
 Depth 12" – 18"

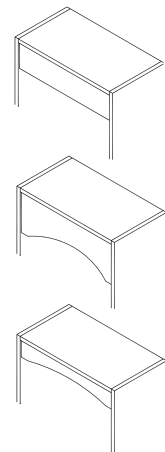
- See notes above
- Height modifications made in open (upper) area

Overall Cabinet Height	Qty of Adj. Shelves
25-1/2" – 31-1/2"	0
31-3/4" – 40-1/2"	1
40-3/4" – 48"	2



WOPD	
30"   33"   36"   39"   42" H	Plate Openings
WOPD24__	10
WOPD27__	12
WOPD30__	13
WOPD33__	15
WOPD36__	16

### Optional Top Rail Valances (See Modification section)



# Wall Cabinets

PLATE DISPLAY - 15" H																					
PD2415	1150	No Doors																			
PD2715	1158																				
PD3015	1167																				
PD3315	1177																				
PD3615	1187																				
		C0	C1	C2	C4	C4A	C5	C7	C7A	C9	C9A	C10	C10A	C11	C12	C12A	C13	C13A	C14	C15	C16
WALL PLATE DISPLAY - 30" H																					
WPD2430DD	1428	1486	1504	1621	1699	1972	1540	1615	1547	1621	1579	1655	1552	1598	1676	1676	1757	1830	1727	2011	
WPD2730	1457	1520	1540	1662	1743	2034	1579	1655	1586	1662	1628	1708	1599	1647	1727	1727	1810	1886	1796	2093	
WPD3030	1481	1545	1569	1703	1786	2093	1610	1688	1625	1703	1669	1750	1647	1696	1779	1779	1866	1942	1867	2176	
WPD3330	1516	1586	1613	1752	1837	2162	1654	1733	1671	1752	1723	1806	1699	1750	1835	1835	1925	2005	1944	2266	
WPD3630	1572	1645	1674	1818	1906	2252	1718	1801	1733	1818	1798	1886	1771	1823	1911	1911	2005	2089	2040	2378	
WALL PLATE DISPLAY - 33" & 36" H																					
WPD24(H)DD	1492	1565	1591	1725	1808	2130	1637	1716	1645	1725	1699	1782	1674	1725	1808	1808	1896	1976	1923	2242	
WPD27(H)	1526	1608	1637	1774	1861	2208	1682	1764	1693	1774	1760	1845	1735	1788	1874	1874	1966	2047	2018	2352	
WPD30(H)	1555	1642	1674	1823	1911	2285	1721	1805	1738	1823	1815	1903	1794	1849	1939	1939	2034	2118	2112	2461	
WPD33(H)	1621	1715	1750	1906	2000	2400	1799	1888	1818	1906	1908	2001	1886	1942	2037	2037	2137	2227	2235	2607	
WPD36(H)	1659	1757	1796	1955	2050	2478	1847	1937	1864	1955	1971	2067	1945	2005	2103	2103	2206	2298	2330	2717	
WALL PLATE DISPLAY - 39" & 42" H																					
WPD24(H)DD	1528	1613	1647	1794	1881	2247	1699	1782	1711	1794	1786	1872	1767	1820	1908	1908	2001	2084	2089	2437	
WPD27(H)	1565	1659	1696	1849	1939	2337	1752	1837	1762	1849	1857	1947	1835	1891	1983	1983	2079	2167	2203	2568	
WPD30(H)	1598	1698	1738	1901	1994	2425	1794	1881	1813	1901	1922	2015	1905	1962	2057	2057	2157	2249	2315	2700	
WPD33(H)	1665	1774	1820	1988	2084	2552	1877	1969	1896	1988	2023	2122	2005	2066	2166	2166	2271	2368	2458	2868	
WPD36(H)	1704	1820	1869	2042	2142	2642	1928	2022	1947	2042	2096	2198	2074	2137	2242	2242	2352	2451	2571	2999	
"(H)" Specify height																					
		C0	C1	C2	C4	C4A	C5	C7	C7A	C9	C9A	C10	C10A	C11	C12	C12A	C13	C13A	C14	C15	C16
WALL OPEN PLATE DISPLAY - 30" H																					
WOPD2430	1258	1258	1258	1319	1319	1258	1258	1258	1258	1258	1258	1258	1258	1258	1258	1319	1319	1258	1258	1258	
WOPD2730	1314	1314	1314	1377	1377	1314	1314	1314	1314	1314	1314	1314	1314	1314	1314	1377	1377	1314	1314	1314	
WOPD3030	1348	1348	1348	1413	1413	1348	1348	1348	1348	1348	1348	1348	1348	1348	1348	1413	1413	1348	1348	1348	
WOPD3330	1413	1413	1413	1481	1481	1413	1413	1413	1413	1413	1413	1413	1413	1413	1413	1481	1481	1413	1413	1413	
WOPD3630	1447	1447	1447	1516	1516	1447	1447	1447	1447	1447	1447	1447	1447	1447	1447	1516	1516	1447	1447	1447	
WALL OPEN PLATE DISPLAY - 33" & 36" H																					
WOPD24(H)	1353	1353	1353	1418	1418	1353	1353	1353	1353	1353	1353	1353	1353	1353	1353	1418	1418	1353	1353	1353	
WOPD27(H)	1425	1425	1425	1494	1494	1425	1425	1425	1425	1425	1425	1425	1425	1425	1425	1494	1494	1425	1425	1425	
WOPD30(H)	1469	1469	1469	1540	1540	1469	1469	1469	1469	1469	1469	1469	1469	1469	1469	1540	1540	1469	1469	1469	
WOPD33(H)	1545	1545	1545	1620	1620	1545	1545	1545	1545	1545	1545	1545	1545	1545	1545	1620	1620	1545	1545	1545	
WOPD36(H)	1589	1589	1589	1665	1665	1589	1589	1589	1589	1589	1589	1589	1589	1589	1589	1665	1665	1589	1589	1589	
WALL OPEN PLATE DISPLAY - 39" & 42" H																					
WOPD24(H)	1391	1391	1391	1459	1459	1391	1391	1391	1391	1391	1391	1391	1391	1391	1391	1459	1459	1391	1391	1391	
WOPD27(H)	1469	1469	1469	1540	1540	1469	1469	1469	1469	1469	1469	1469	1469	1469	1469	1540	1540	1469	1469	1469	
WOPD30(H)	1516	1516	1516	1589	1589	1516	1516	1516	1516	1516	1516	1516	1516	1516	1516	1589	1589	1516	1516	1516	
WOPD33(H)	1594	1594	1594	1672	1672	1594	1594	1594	1594	1594	1594	1594	1594	1594	1594	1672	1672	1594	1594	1594	
WOPD36(H)	1642	1642	1642	1721	1721	1642	1642	1642	1642	1642	1642	1642	1642	1642	1642	1721	1721	1642	1642	1642	
"(H)" Specify height																					

# Wall Cabinets

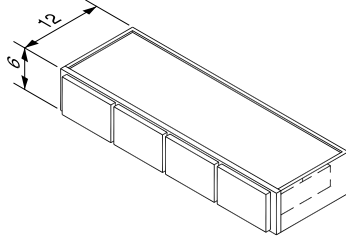
## SPICE DRAWERS

### MODIFICATION LIMITS

Width No Width Mods  
 Height No Height Mods  
 Depth\* 12" – 24"  
 \*drawer depth does not increase

- Solid wood dovetail drawers are 9" deep
- Drawers are friction fit (no hardware)
- Fronts are slab with horizontal grain only (no DFMD)
- Edge details match doors unless door is Mitered, then fronts will have 'A' edge detail

- Reveal is approximately 1/2" between fronts and 1" on sides
- Exterior is not finished



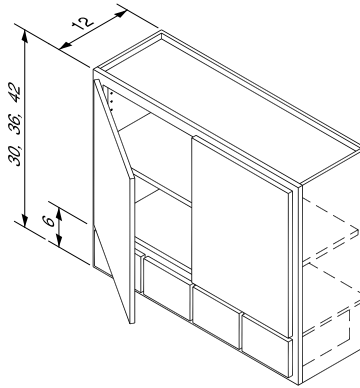
SD	
6" H	Qty. of Drawers
SD2406	3
SD2706	3
SD3006	4
SD3306	4
SD3606	4

## WALL SPICE DRAWERS

### MODIFICATION LIMITS

Width No Width Mods  
 Height 18" – 48"  
 Depth\* 12" – 24"  
 \*drawer depth does not increase

- See notes above
- Height modifications made in door area



Overall Cabinet Heights	Qty of Adj. Shelves
18" – 24"	0
24-1/4" – 33"	1
33-1/4" – 48"	2

WSD2DR	
30"   33"   36"   39"   42" H	Qty. of Drawers
WSD24__DD	3
WSD27__	3
WSD30__	4
WSD33__	4
WSD36__	4

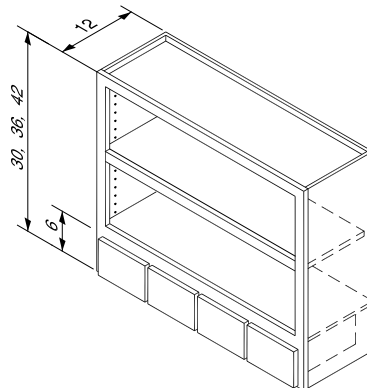
## WALL OPEN SPICE DRAWERS

### MODIFICATION LIMITS

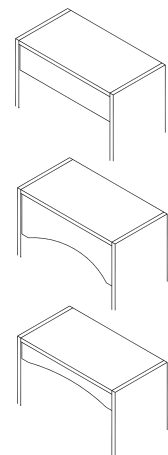
Width No Width Mods  
 Height 18" – 48"  
 Depth\* 12" – 24"  
 \*drawer depth does not increase

- See cabinet notes and shelf chart above
- Finished interior (FMI)
- Inside of frame opening has eased edge
- Adjustable shelves have 1-1/2" H double eased front edge

WOSD	
30"   33"   36"   39"   42" H	Qty. of Drawers
WOSD24__	3
WOSD27__	3
WOSD30__	4
WOSD33__	4
WOSD36__	4



### Optional Top Rail Valances (See Modification section)



# Wall Cabinets

<b>SPICE DRAWERS – 6" H</b>																				
SD2406	940	No Doors																		
SD2706	943																			
SD3006	994																			
SD3306	999																			
SD3606	1055																			
	C0	C1	C2	C4	C4A	C5	C7	C7A	C9	C9A	C10	C10A	C11	C12	C12A	C13	C13A	C14	C15	C16
<b>WALL SPICE DRAWERS - 30" H</b>																				
WSD2430DD	1253	1326	1357	1708	1791	2286	1423	1492	1630	1708	1676	1757	1803	1850	1940	1940	2035	2120	2391	2788
WSD2730	1270	1352	1387	1749	1833	2342	1457	1528	1669	1749	1716	1799	1847	1896	1986	1988	2084	2171	2449	2856
WSD3030	1333	1420	1459	1842	1930	2466	1533	1608	1755	1842	1806	1894	1944	1994	2093	2093	2195	2286	2578	3009
WSD3330	1353	1447	1487	1884	1976	2524	1569	1645	1796	1884	1849	1939	1989	2040	2140	2140	2246	2340	2639	3080
WSD3630	1423	1521	1567	1984	2081	2659	1652	1732	1893	1984	1947	2042	2095	2151	2256	2256	2366	2466	2781	3244
<b>WALL SPICE DRAWERS - 33" &amp; 36" H</b>																				
WSD24(H)DD	1287	1372	1403	1764	1849	2361	1469	1540	1682	1764	1730	1815	1861	1911	2005	2003	2101	2190	2469	2880
WSD27(H)	1309	1403	1437	1811	1898	2424	1508	1581	1727	1811	1777	1864	1911	1961	2057	2057	2157	2249	2536	2958
WSD30(H)	1374	1474	1511	1906	2000	2554	1587	1664	1818	1906	1871	1962	2013	2066	2166	2167	2273	2368	2671	3117
WSD33(H)	1396	1504	1547	1954	2049	2617	1626	1706	1864	1954	1918	2011	2062	2118	2220	2220	2329	2427	2737	3194
WSD36(H)	1469	1584	1630	2061	2161	2761	1715	1798	1964	2061	2022	2120	2176	2232	2342	2342	2456	2561	2888	3370
<b>WALL SPICE DRAWERS - 39" &amp; 42" H</b>																				
WSD24(H)DD	1326	1418	1448	1818	1906	2435	1515	1587	1735	1818	1784	1872	1920	1971	2066	2066	2167	2259	2547	2971
WSD27(H)	1352	1452	1486	1871	1961	2505	1557	1633	1782	1871	1835	1925	1974	2025	2125	2125	2229	2322	2619	3056
WSD30(H)	1418	1528	1565	1972	2069	2642	1642	1721	1881	1972	1935	2030	2083	2137	2242	2242	2351	2451	2763	3224
WSD33(H)	1443	1562	1604	2023	2122	2712	1684	1766	1930	2023	1986	2083	2137	2193	2300	2300	2412	2513	2836	3309
WSD36(H)	1520	1647	1693	2135	2240	2863	1777	1864	2037	2135	2096	2198	2256	2315	2427	2429	2547	2654	2995	3495
"(H)" Specify height																				
<b>WALL OPEN SPICE DRAWERS - 30" H</b>																				
WOSD2430	1165	1165	1170	1245	1245	1186	1186	1186	1187	1187	1186	1186	1187	1187	1187	1245	1245	1186	1221	1186
WOSD2730	1194	1194	1199	1279	1279	1216	1216	1216	1219	1219	1216	1216	1219	1219	1219	1279	1279	1216	1262	1216
WOSD3030	1258	1258	1265	1352	1352	1286	1286	1286	1289	1289	1286	1286	1289	1289	1289	1352	1352	1286	1340	1286
WOSD3330	1286	1286	1294	1386	1386	1318	1318	1318	1321	1321	1318	1318	1321	1321	1321	1386	1386	1318	1381	1318
WOSD3630	1350	1350	1358	1452	1452	1382	1382	1382	1386	1386	1382	1382	1386	1386	1386	1452	1452	1382	1445	1382
<b>WALL OPEN SPICE DRAWERS - 33" &amp; 36" H</b>																				
WOSD24(H)	1236	1236	1241	1319	1319	1255	1255	1255	1258	1258	1255	1255	1258	1258	1258	1319	1319	1255	1291	1255
WOSD27(H)	1270	1270	1275	1358	1358	1294	1294	1294	1296	1296	1294	1294	1296	1296	1296	1358	1358	1294	1338	1294
WOSD30(H)	1343	1343	1348	1438	1438	1370	1370	1370	1372	1372	1370	1370	1372	1372	1372	1438	1438	1370	1425	1370
WOSD33(H)	1377	1377	1384	1479	1479	1409	1409	1409	1411	1411	1409	1409	1411	1411	1411	1479	1479	1409	1472	1409
WOSD36(H)	1448	1448	1455	1554	1554	1481	1481	1481	1482	1482	1481	1481	1482	1482	1482	1554	1554	1481	1543	1481
<b>WALL OPEN SPICE DRAWERS - 39" &amp; 42" H</b>																				
WOSD24(H)	1274	1274	1279	1358	1358	1292	1292	1292	1296	1296	1292	1292	1296	1296	1296	1358	1358	1292	1328	1292
WOSD27(H)	1311	1311	1316	1401	1401	1333	1333	1333	1336	1336	1333	1333	1336	1336	1336	1401	1401	1333	1379	1333
WOSD30(H)	1384	1384	1391	1482	1482	1413	1413	1413	1414	1414	1413	1413	1414	1414	1414	1482	1482	1413	1465	1413
WOSD33(H)	1421	1421	1428	1525	1525	1453	1453	1453	1455	1455	1453	1453	1455	1455	1455	1525	1525	1453	1516	1453
WOSD36(H)	1494	1494	1501	1604	1604	1526	1526	1526	1530	1530	1526	1526	1530	1530	1530	1604	1604	1526	1589	1526
"(H)" Specify height																				

# Wall Cabinets

## LETTER ORGANIZER – 6"

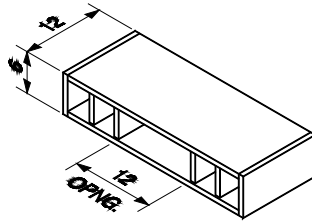
### MODIFICATION LIMITS

Width No Width Mods  
 Height No Height Mods  
 Depth 6" – 24"

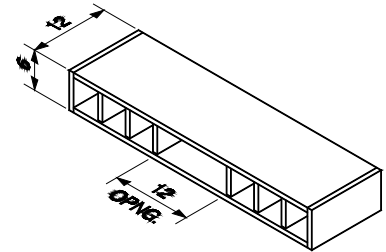
6" H	MSRP	No Doors
LO2406	704	
LO2706	724	
LO3006	743	
LO3306	767	
LO3606	782	
LO3906	794	
LO4206	804	

- 3/4" frameless construction
- Finished Interior (FMI)

- Exterior ends, top and bottom are finished
- Intermediate dividers recessed 1/4" from cabinet face



LO-6	
6" H	Qty. of Openings
LO2406	5
LO2706	5
LO3006	5
LO3306	5
LO3606	5
LO3906	5
LO4206	7



## WALL LETTER ORGANIZER – 6"

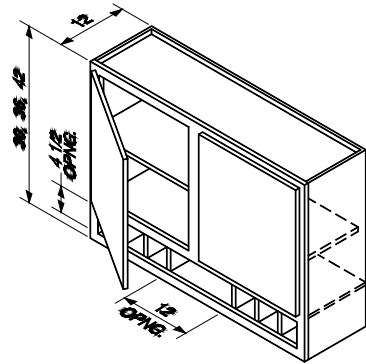
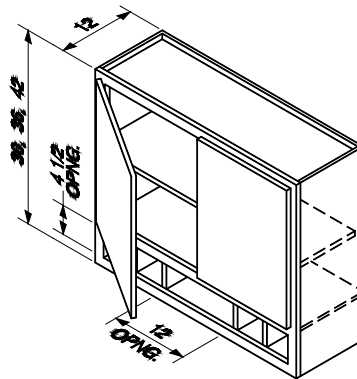
### MODIFICATION LIMITS

Width No Width Mods  
 Height 18" – 48"  
 Depth 12" – 24"

Overall Cabinet Heights	Qty of Adj. Shelves
18" – 24"	0
24-1/4" – 33"	1
33-1/4" – 48"	2

- Finished interior (FMI)
- Inside of frame opening has eased edge
- Interior dividers recessed 3/4" from cabinet face

- Height modifications made in door area
- 39" W has same organizer configuration as 36" W



### WLO2DR-6

30"   33"   36"   39"   42" H	Qty. of Openings
WLO24__-6DD	3
WLO27__-6	5
WLO30__-6	5
WLO33__-6	5
WLO36__-6	5
WLO39__-6	5
WLO42__-6	7

## WALL OPEN LETTER ORGANIZER – 6"

### MODIFICATION LIMITS

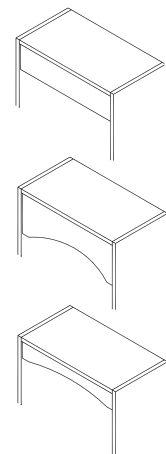
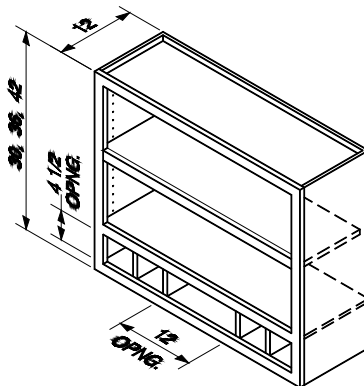
Width No Width Mods  
 Height 18" – 48"  
 Depth 12" – 24"

- See cabinet notes and shelf chart above
- Adjustable shelves have 1-1/2" H double eased front edge
- Height modifications made in open (upper) area

### Optional Top Rail Valances (See Modification section)

### WOLO-6

30"   33"   36"   39"   42" H	Qty. of Openings
WOLO24__-6DD	3
WOLO27__-6	5
WOLO30__-6	5
WOLO33__-6	5
WOLO36__-6	5
WOLO39__-6	5
WOLO42__-6	7



# Wall Cabinets

\* L or R required

	C0	C1	C2	C4	C4A	C5	C7	C7A	C9	C9A	C10	C10A	C11	C12	C12A	C13	C13A	C14	C15	C16
<b>WALL LETTER ORGANIZER - (6") - 30" H</b>																				
WLO2430-6DD	1238	1311	1336	1443	1513	1806	1309	1372	1377	1443	1453	1523	1420	1464	1535	1535	1610	1677	1681	1959
WLO2730-6	1270	1352	1382	1492	1565	1884	1352	1418	1423	1492	1515	1587	1481	1526	1601	1601	1679	1749	1777	2071
WLO3030-6	1291	1377	1409	1540	1615	1962	1396	1464	1469	1540	1562	1638	1542	1589	1665	1665	1747	1820	1874	2184
WLO3330-6	1325	1418	1453	1587	1664	2039	1440	1508	1515	1587	1623	1701	1603	1652	1732	1732	1816	1891	1969	2296
WLO3630-6	1360	1459	1499	1638	1718	2117	1484	1557	1562	1638	1686	1767	1664	1715	1798	1798	1886	1964	2066	2408
WLO3930-6	1391	1494	1531	1682	1764	2164	1525	1599	1604	1682	1710	1793	1699	1752	1837	1837	1927	2006	2179	2542
WLO4230-6	1425	1535	1576	1730	1815	2237	1569	1643	1650	1730	1769	1855	1757	1811	1900	1900	1993	2076	2276	2654
<b>WALL LETTER ORGANIZER - (6") - 33" &amp; 36" H</b>																				
WLO24(H)-6DD	1314	1399	1433	1545	1620	1962	1401	1469	1474	1545	1581	1657	1542	1589	1665	1665	1747	1822	1879	2190
WLO27(H)-6	1355	1448	1486	1603	1681	2057	1452	1523	1528	1603	1655	1735	1616	1665	1747	1747	1832	1908	1998	2329
WLO30(H)-6	1377	1477	1518	1659	1738	2152	1504	1576	1582	1659	1711	1794	1689	1742	1827	1827	1915	1996	2117	2468
WLO33(H)-6	1409	1525	1570	1716	1799	2246	1555	1632	1637	1716	1788	1874	1764	1818	1906	1906	2000	2083	2235	2607
WLO36(H)-6	1459	1574	1625	1772	1859	2340	1606	1684	1691	1772	1864	1955	1838	1894	1986	1986	2083	2171	2354	2746
WLO39(H)-6	1496	1616	1662	1805	1893	2369	1635	1715	1721	1805	1903	1996	1859	1916	2010	2010	2108	2196	2474	2887
WLO42(H)-6	1537	1664	1715	1861	1950	2458	1686	1767	1774	1861	1962	2057	1930	1989	2086	2086	2188	2279	2593	3026
<b>WALL LETTER ORGANIZER - (6") - 39" &amp; 42" H</b>																				
WLO24(H)-6DD	1343	1452	1503	1625	1703	2145	1472	1543	1548	1625	1742	1827	1688	1737	1822	1822	1910	1991	2169	2530
WLO27(H)-6	1384	1496	1548	1676	1755	2261	1518	1593	1598	1676	1796	1883	1777	1830	1920	1920	2013	2096	2324	2710
WLO30(H)-6	1426	1542	1596	1727	1810	2279	1565	1640	1647	1727	1850	1942	1791	1844	1933	1933	2028	2113	2400	2798
WLO33(H)-6	1470	1589	1645	1779	1866	2490	1611	1691	1696	1779	1908	2001	1957	2015	2113	2113	2217	2308	2630	3070
WLO36(H)-6	1515	1642	1703	1835	1923	2530	1662	1743	1749	1835	1993	2089	1989	2047	2147	2147	2252	2347	2734	3190
WLO39(H)-6	1552	1686	1742	1891	1983	2605	1713	1796	1803	1891	2020	2118	2047	2106	2210	2210	2318	2415	2785	3250
WLO42(H)-6	1594	1737	1798	1950	2045	2630	1767	1854	1861	1950	2100	2201	2067	2128	2232	2232	2340	2439	2871	3351

"(H)" Specify height

	C0	C1	C2	C4	C4A	C5	C7	C7A	C9	C9A	C10	C10A	C11	C12	C12A	C13	C13A	C14	C15	C16
<b>WALL OPEN LTR ORGANIZER - (6") - 30" H</b>																				
WOLO2430-6	1314	1314	1314	1377	1377	1314	1314	1314	1314	1314	1314	1314	1314	1314	1314	1377	1377	1314	1314	1314
WOLO2730-6	1352	1352	1352	1416	1416	1352	1352	1352	1352	1352	1352	1352	1352	1352	1352	1416	1416	1352	1352	1352
WOLO3030-6	1379	1379	1379	1445	1445	1379	1379	1379	1379	1379	1379	1379	1379	1379	1379	1445	1445	1379	1379	1379
WOLO3330-6	1418	1418	1418	1486	1486	1418	1418	1418	1418	1418	1418	1418	1418	1418	1418	1486	1486	1418	1418	1418
WOLO3630-6	1460	1460	1460	1531	1531	1460	1460	1460	1460	1460	1460	1460	1460	1460	1460	1531	1531	1460	1460	1460
WOLO3930-6	1499	1499	1499	1572	1572	1499	1499	1499	1499	1499	1499	1499	1499	1499	1499	1572	1572	1499	1499	1499
WOLO4230-6	1542	1542	1542	1616	1616	1542	1542	1542	1542	1542	1542	1542	1542	1542	1542	1616	1616	1542	1542	1542
<b>WALL OPEN LTR ORGNZR - (6") - 33" &amp; 36" H</b>																				
WOLO24(H)-6	1391	1391	1391	1459	1459	1391	1391	1391	1391	1391	1391	1391	1391	1391	1391	1459	1459	1391	1391	1391
WOLO27(H)-6	1437	1437	1437	1506	1506	1437	1437	1437	1437	1437	1437	1437	1437	1437	1437	1506	1506	1437	1437	1437
WOLO30(H)-6	1465	1465	1465	1537	1537	1465	1465	1465	1465	1465	1465	1465	1465	1465	1465	1537	1537	1465	1465	1465
WOLO33(H)-6	1503	1503	1503	1576	1576	1503	1503	1503	1503	1503	1503	1503	1503	1503	1503	1576	1576	1503	1503	1503
WOLO36(H)-6	1559	1559	1559	1635	1635	1559	1559	1559	1559	1559	1559	1559	1559	1559	1559	1635	1635	1559	1559	1559
WOLO39(H)-6	1604	1604	1604	1682	1682	1604	1604	1604	1604	1604	1604	1604	1604	1604	1604	1682	1682	1604	1604	1604
WOLO42(H)-6	1654	1654	1654	1733	1733	1654	1654	1654	1654	1654	1654	1654	1654	1654	1654	1733	1733	1654	1654	1654
<b>WALL OPEN LTR ORGNZR - (6") - 39" &amp; 42" H</b>																				
WOLO24(H)-6	1409	1409	1409	1477	1477	1409	1409	1409	1409	1409	1409	1409	1409	1409	1409	1477	1477	1409	1409	1409
WOLO27(H)-6	1442	1442	1442	1511	1511	1442	1442	1442	1442	1442	1442	1442	1442	1442	1442	1511	1511	1442	1442	1442
WOLO30(H)-6	1491	1491	1491	1564	1564	1491	1491	1491	1491	1491	1491	1491	1491	1491	1491	1564	1564	1491	1491	1491
WOLO33(H)-6	1564	1564	1564	1640	1640	1564	1564	1564	1564	1564	1564	1564	1564	1564	1564	1640	1640	1564	1564	1564
WOLO36(H)-6	1615	1615	1615	1693	1693	1615	1615	1615	1615	1615	1615	1615	1615	1615	1615	1693	1693	1615	1615	1615
WOLO39(H)-6	1660	1660	1660	1742	1742	1660	1660	1660	1660	1660	1660	1660	1660	1660	1660	1742	1742	1660	1660	1660
WOLO42(H)-6	1711	1711	1711	1794	1794	1711	1711	1711	1711	1711	1711	1711	1711	1711	1711	1794	1794	1711	1711	1711

"(H)" Specify height



# Wall Cabinets

## LETTER ORGANIZER – 12"

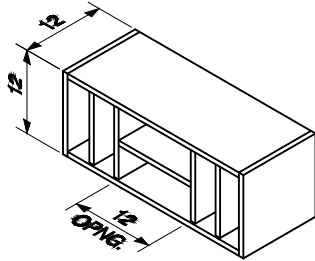
### MODIFICATION LIMITS

Width No Width Mods  
 Height No Height Mods  
 Depth 6" – 24"

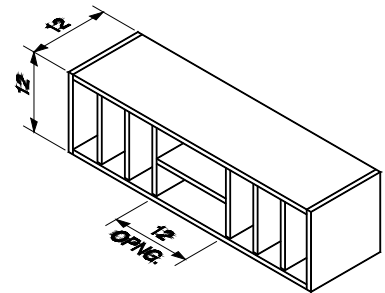
- 3/4" frameless construction
- Finished Interior (FMI)

- Intermediate dividers recessed 1/4" from cabinet face
- Exterior ends, top and bottom finished

12" H	MSRP	No Doors
LO2412	758	
LO2712	778	
LO3012	797	
LO3312	836	
LO3612	873	
LO3912	894	
LO4212	912	



LO-12	
12" H	Qty. of Openings
LO2412	6
LO2712	6
LO3012	6
LO3312	6
LO3612	6
LO3912	6
LO4212	8



## WALL LETTER ORGANIZER – 12"

### MODIFICATION LIMITS

Width No Width Mods  
 Height 24" – 48"  
 Depth 12" – 24"

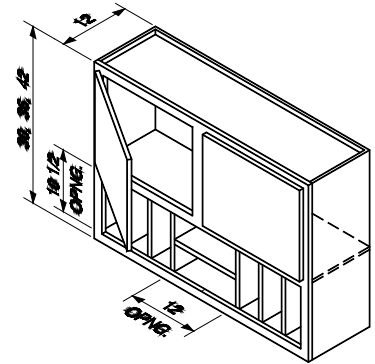
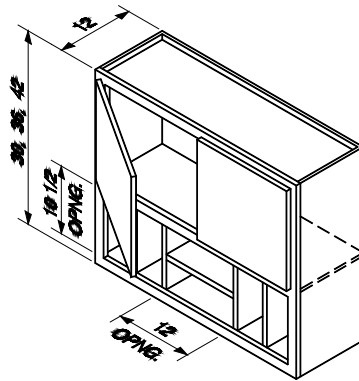
- Finished interior (FMI)
- Inside of frame opening has eased edge
- Interior dividers recessed 3/4" from cabinet face

- Height modifications made in door area
- 39" W has same organizer configuration as 36" W

Overall Cabinet Heights	Qty of Adj. Shelves
24" – 30"	0
30-1/4" – 39"	1
39-1/4" – 48"	2

### WLO2DR-12

30"   33"   36"   39"   42" H	Qty. of Openings
WLO24__-12DD	4
WLO27__-12	6
WLO30__-12	6
WLO33__-12	6
WLO36__-12	6
WLO39__-12	6
WLO42__-12	8



## WALL OPEN LETTER ORGANIZER – 12"

### MODIFICATION LIMITS

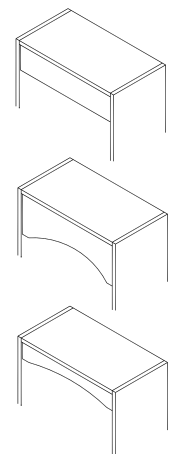
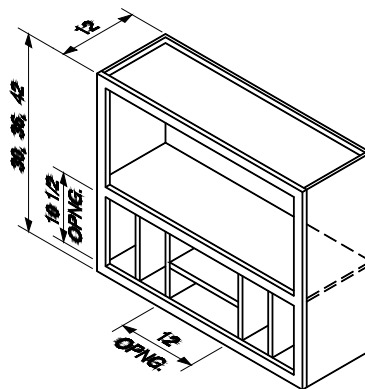
Width No Width Mods  
 Height 24" – 48"  
 Depth 12" – 24"

- See cabinet notes and shelf chart above
- Adjustable shelves have 1-1/2" H double eased front edge
- Height modifications made in open (upper) area

### Optional Top Rail Valances (See Modification section)

### WOLO-12

30"   33"   36"   39"   42" H	Qty. of Openings
WOLO24__-12DD	4
WOLO27__-12	6
WOLO30__-12	6
WOLO33__-12	6
WOLO36__-12	6
WOLO39__-12	6
WOLO42__-12	8





# Wall Cabinets

	C0	C1	C2	C4	C4A	C5	C7	C7A	C9	C9A	C10	C10A	C11	C12	C12A	C13	C13A	C14	C15	C16
<b>WALL LETTER ORGANIZER - (12") - 30" H</b>																				
WLO2430-12DD	1223	1280	1299	1404	1472	1723	1274	1335	1340	1404	1384	1450	1355	1398	1465	1465	1537	1599	1543	1796
WLO2730-12	1253	1316	1338	1445	1515	1788	1311	1374	1379	1445	1435	1504	1406	1448	1518	1518	1591	1659	1618	1886
WLO3030-12	1275	1340	1365	1487	1559	1852	1348	1413	1420	1487	1476	1547	1455	1499	1572	1572	1649	1718	1694	1974
WLO3330-12	1306	1375	1404	1531	1606	1915	1387	1455	1460	1531	1526	1601	1506	1552	1626	1626	1706	1777	1771	2062
WLO3630-12	1338	1411	1442	1574	1650	1979	1426	1496	1501	1574	1577	1654	1555	1603	1681	1681	1762	1837	1847	2152
WLO3930-12	1367	1443	1472	1599	1677	2005	1448	1520	1525	1599	1601	1679	1574	1623	1701	1701	1784	1859	1922	2240
WLO4230-12	1401	1479	1509	1640	1720	2066	1486	1559	1564	1640	1650	1730	1623	1672	1754	1754	1838	1916	1998	2329
<b>WALL LETTER ORGANIZER - (12") - 33" &amp; 36" H</b>																				
WLO24(H)-12DD	1296	1369	1396	1506	1579	1879	1365	1431	1437	1506	1511	1584	1477	1523	1596	1596	1674	1743	1740	2027
WLO27(H)-12	1331	1413	1443	1555	1630	1961	1409	1477	1484	1555	1576	1652	1540	1587	1664	1664	1745	1818	1838	2142
WLO30(H)-12	1353	1440	1474	1608	1686	2040	1457	1528	1533	1608	1625	1703	1604	1654	1733	1733	1818	1893	1937	2259
WLO33(H)-12	1391	1484	1521	1659	1738	2122	1504	1576	1582	1659	1689	1771	1667	1718	1801	1801	1889	1967	2037	2374
WLO36(H)-12	1430	1528	1567	1710	1793	2203	1548	1625	1630	1710	1755	1840	1730	1782	1869	1869	1961	2044	2135	2490
WLO39(H)-12	1462	1565	1603	1738	1823	2230	1576	1652	1659	1738	1782	1869	1752	1806	1894	1894	1986	2069	2234	2605
WLO42(H)-12	1499	1610	1649	1789	1876	2308	1621	1699	1706	1789	1844	1933	1811	1867	1959	1959	2054	2140	2332	2720
<b>WALL LETTER ORGANIZER - (12") - 39" &amp; 42" H</b>																				
WLO24(H)-12DD	1372	1443	1443	1830	1922	2469	1516	1593	1743	1830	1796	1884	1935	1988	2086	2088	2191	2286	2585	3024
WLO27(H)-12	1408	1486	1486	1884	1979	2541	1560	1638	1794	1884	1849	1940	1991	2045	2149	2147	2256	2352	2659	3112
WLO30(H)-12	1443	1530	1530	1939	2035	2614	1606	1686	1847	1939	1903	1996	2050	2105	2210	2210	2320	2420	2736	3200
WLO33(H)-12	1479	1574	1574	1994	2095	2692	1652	1735	1900	1994	1957	2054	2108	2166	2274	2274	2388	2491	2815	3294
WLO36(H)-12	1515	1623	1623	2059	2162	2776	1704	1789	1961	2059	2020	2120	2176	2235	2347	2347	2464	2571	2905	3399
WLO39(H)-12	1552	1669	1669	2115	2220	2853	1752	1840	2015	2115	2076	2178	2237	2296	2412	2412	2532	2641	2985	3492
WLO42(H)-12	1589	1718	1718	2179	2288	2937	1805	1894	2076	2179	2139	2246	2305	2366	2485	2485	2608	2720	3077	3599

"(H)" Specify height

	C0	C1	C2	C4	C4A	C5	C7	C7A	C9	C9A	C10	C10A	C11	C12	C12A	C13	C13A	C14	C15	C16
<b>WALL OPEN LTR ORGANIZER - (12") - 30" H</b>																				
WLO2430-12	1299	1299	1299	1362	1362	1299	1299	1299	1299	1299	1299	1299	1299	1299	1299	1362	1362	1299	1299	1299
WLO2730-12	1335	1335	1335	1399	1399	1335	1335	1335	1335	1335	1335	1335	1335	1335	1335	1399	1399	1335	1335	1335
WLO3030-12	1364	1364	1364	1430	1430	1364	1364	1364	1364	1364	1364	1364	1364	1364	1364	1430	1430	1364	1364	1364
WLO3330-12	1399	1399	1399	1467	1467	1399	1399	1399	1399	1399	1399	1399	1399	1399	1399	1467	1467	1399	1399	1399
WLO3630-12	1438	1438	1438	1508	1508	1438	1438	1438	1438	1438	1438	1438	1438	1438	1438	1508	1508	1438	1438	1438
WLO3930-12	1476	1476	1476	1547	1547	1476	1476	1476	1476	1476	1476	1476	1476	1476	1476	1547	1547	1476	1476	1476
WLO4230-12	1518	1518	1518	1591	1591	1518	1518	1518	1518	1518	1518	1518	1518	1518	1518	1591	1591	1518	1518	1518
<b>WALL OPEN LTR ORGNZR - (12") - 33" &amp; 36" H</b>																				
WLO24(H)-12	1372	1372	1372	1438	1438	1372	1372	1372	1372	1372	1372	1372	1372	1372	1372	1438	1438	1372	1372	1372
WLO27(H)-12	1413	1413	1413	1481	1481	1413	1413	1413	1413	1413	1413	1413	1413	1413	1413	1481	1481	1413	1413	1413
WLO30(H)-12	1442	1442	1442	1511	1511	1442	1442	1442	1442	1442	1442	1442	1442	1442	1442	1511	1511	1442	1442	1442
WLO33(H)-12	1484	1484	1484	1555	1555	1484	1484	1484	1484	1484	1484	1484	1484	1484	1484	1555	1555	1484	1484	1484
WLO36(H)-12	1530	1530	1530	1604	1604	1530	1530	1530	1530	1530	1530	1530	1530	1530	1530	1604	1604	1530	1530	1530
WLO39(H)-12	1570	1570	1570	1647	1647	1570	1570	1570	1570	1570	1570	1570	1570	1570	1570	1647	1647	1570	1570	1570
WLO42(H)-12	1616	1616	1616	1694	1694	1616	1616	1616	1616	1616	1616	1616	1616	1616	1616	1694	1694	1616	1616	1616
<b>WALL OPEN LTR ORGNZR - (12") - 39" &amp; 42" H</b>																				
WLO24(H)-12	1423	1423	1423	1492	1492	1423	1423	1423	1423	1423	1423	1423	1423	1423	1423	1492	1492	1423	1423	1423
WLO27(H)-12	1467	1467	1467	1538	1538	1467	1467	1467	1467	1467	1467	1467	1467	1467	1467	1538	1538	1467	1467	1467
WLO30(H)-12	1513	1513	1513	1586	1586	1513	1513	1513	1513	1513	1513	1513	1513	1513	1513	1586	1586	1513	1513	1513
WLO33(H)-12	1559	1559	1559	1635	1635	1559	1559	1559	1559	1559	1559	1559	1559	1559	1559	1635	1635	1559	1559	1559
WLO36(H)-12	1611	1611	1611	1689	1689	1611	1611	1611	1611	1611	1611	1611	1611	1611	1611	1689	1689	1611	1611	1611
WLO39(H)-12	1659	1659	1659	1738	1738	1659	1659	1659	1659	1659	1659	1659	1659	1659	1659	1738	1738	1659	1659	1659
WLO42(H)-12	1711	1711	1711	1794	1794	1711	1711	1711	1711	1711	1711	1711	1711	1711	1711	1794	1794	1711	1711	1711

"(H)" Specify height

# Wall Cabinets

\* L or R required  
 \*\*LL, LR, RL or RR required

## WALL ANGLE END

Overall Cabinet Heights	Qty of Adj. Shelves
18-1/4" - 24"	1
24-1/4" - 36"	2
36-1/4" - 48"	3

- Callout width is dimension "A" (overall width)
- Width modifications made to section "B"
- Doors are always hinged on outside stiles

- Right or Left orientation and swing determined by angled side

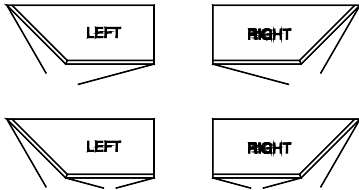
### MODIFICATION LIMITS

Width 21" - 48"  
 Height 18-1/4" - 48"  
 Depth No Depth Mods

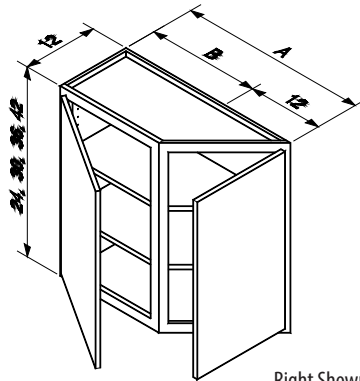
### MODIFICATION LIMITS

Width 30" - 48" (Inset: 33" min.)  
 Height 18-1/4" - 48"  
 Depth No Depth Mods

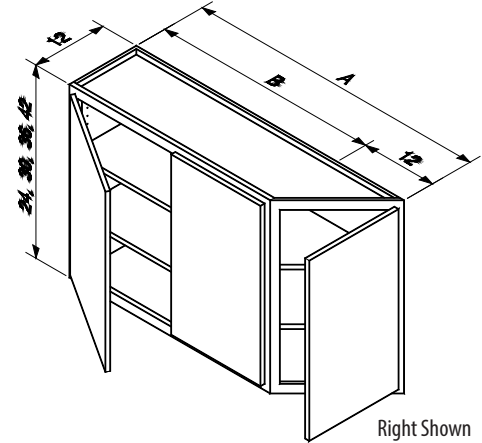
### WAE Orientation & Hinging



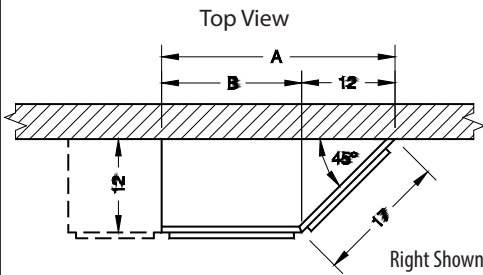
Primary Entry



Right Shown



Right Shown



Top View

Right Shown

### WAE2DR

24" | 30" | 33" | 36" | 39" | 42" H

WAE24\_\*  
 WAE27\_\*  
 WAE30\_\*  
 WAE33\_\*  
 WAE36\_\*

### WAE3DR

24" | 30" | 33" | 36" | 39" | 42" H

WAE36\_DD\*  
 WAE39\_\*  
 WAE42\_\*  
 WAE45\_\*  
 WAE48\_\*

## WALL PENINSULA

### MODIFICATION LIMITS

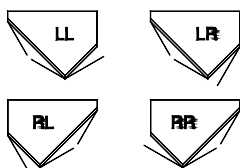
Width No Width Mods  
 Height 18-1/4" - 48"  
 Depth 12" - 24"

Overall Cabinet Heights	Qty of Adj. Shelves
18-1/4" - 24"	1
24-1/4" - 36"	2
36-1/4" - 48"	3

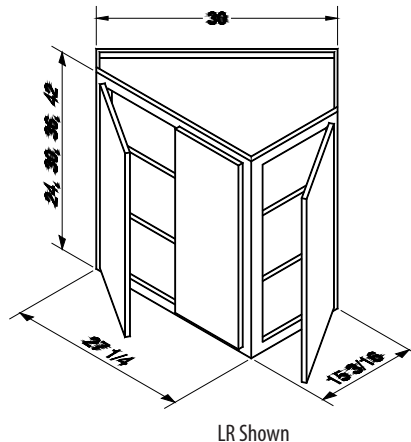
- First hinge callout determined by side with two doors, second callout designates hinge side of single door

- Standard depth = 12" D (increasing depth will not change door sizing)
- Extended stile modification not available

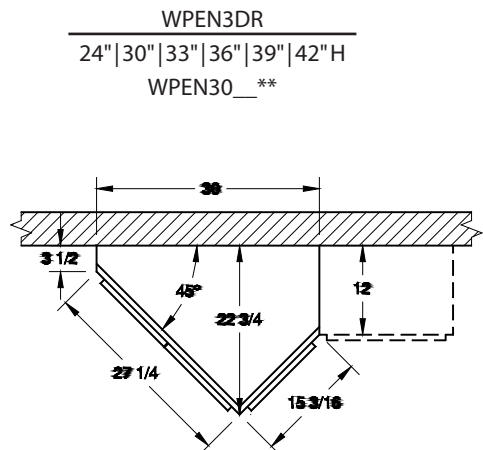
### WPEN Orientation & Hinging



Primary Entry



LR Shown



### WPEN3DR

24" | 30" | 33" | 36" | 39" | 42" H

WPEN30\_\*\*

# Wall Cabinets

\* L or R required  
 \*\*LL, LR, RL or RR required

	C0	C1	C2	C4	C4A	C5	C7	C7A	C9	C9A	C10	C10A	C11	C12	C12A	C13	C13A	C14	C15	C16
<b>WALL ANGLE END - 24" H</b>																				
WAE2424*	475	556	643	856	992	1170	663	777	817	948	834	958	890	951	1062	997	1111	1087	1218	1416
WAE2724*	488	575	668	890	1035	1228	692	811	850	987	879	1009	940	999	1118	1046	1170	1141	1282	1491
WAE3024*	502	595	694	926	1074	1287	721	846	884	1024	924	1060	987	1046	1172	1097	1228	1196	1347	1567
WAE3324*	516	614	717	960	1113	1347	750	880	916	1062	968	1111	1035	1094	1226	1146	1284	1250	1411	1642
WAE3624*	541	663	790	1068	1252	1503	824	979	1019	1194	1065	1235	1140	1219	1377	1279	1443	1394	1581	1840
WAE3624DD*	551	677	806	1091	1277	1533	841	997	1040	1218	1085	1258	1162	1243	1404	1304	1472	1421	1613	1877
WAE3924*	553	683	816	1104	1292	1564	853	1013	1053	1233	1111	1286	1187	1269	1431	1330	1499	1452	1647	1918
WAE4224*	566	702	840	1138	1331	1623	882	1048	1085	1270	1155	1336	1235	1316	1486	1381	1557	1506	1711	1993
WAE4524*	580	722	865	1172	1370	1681	911	1082	1118	1308	1199	1387	1282	1364	1542	1430	1616	1560	1774	2067
WAE4824*	594	741	890	1206	1409	1740	940	1116	1150	1345	1243	1437	1330	1411	1596	1479	1672	1615	1838	2142
<b>WALL ANGLE END - 30" H</b>																				
WAE2430*	512	609	690	919	1062	1264	717	840	879	1013	899	1035	1013	1026	1146	1075	1201	1174	1321	1538
WAE2730*	529	643	721	962	1111	1336	753	884	919	1060	955	1097	1072	1085	1214	1136	1272	1241	1403	1633
WAE3030*	544	656	751	1006	1162	1411	789	924	960	1107	1009	1160	1131	1145	1282	1199	1343	1309	1482	1727
WAE3330*	560	670	782	1048	1209	1484	824	967	1001	1153	1063	1223	1189	1204	1350	1262	1414	1377	1562	1820
WAE3630*	589	724	860	1165	1357	1655	904	1074	1113	1294	1172	1358	1308	1342	1513	1406	1586	1537	1747	2035
WAE3630DD*	600	738	877	1189	1384	1688	923	1096	1135	1319	1196	1386	1333	1369	1543	1435	1618	1567	1782	2076
WAE3930*	604	748	890	1208	1408	1728	940	1116	1153	1342	1228	1421	1367	1401	1582	1469	1659	1604	1828	2130
WAE4230*	621	772	921	1248	1455	1799	975	1158	1192	1387	1282	1484	1425	1459	1650	1528	1730	1671	1906	2222
WAE4530*	636	795	953	1292	1504	1876	1013	1201	1233	1435	1338	1547	1484	1520	1718	1593	1801	1740	1988	2317
WAE4830*	653	819	984	1335	1554	1947	1046	1243	1274	1481	1392	1610	1543	1577	1786	1654	1872	1806	2066	2408
<b>WALL ANGLE END - 33" &amp; 36" H</b>																				
WAE24(H)*	538	631	731	974	1133	1352	756	897	929	1080	965	1107	1082	1097	1225	1150	1284	1255	1409	1642
WAE27(H)*	556	656	765	1019	1187	1433	797	945	974	1133	1026	1177	1148	1163	1301	1219	1364	1331	1498	1743
WAE30(H)*	572	682	797	1067	1241	1516	836	990	1018	1184	1087	1247	1214	1230	1377	1289	1443	1408	1587	1849
WAE33(H)*	589	707	831	1113	1294	1596	873	1036	1062	1235	1148	1316	1279	1294	1452	1355	1521	1481	1674	1950
WAE36(H)*	617	763	911	1233	1448	1774	958	1148	1177	1381	1262	1460	1403	1438	1621	1508	1699	1647	1869	2179
WAE36(H)DD*	629	778	929	1257	1477	1810	977	1170	1201	1408	1287	1489	1430	1467	1654	1538	1733	1679	1906	2223
WAE39(H)*	634	789	945	1282	1501	1857	997	1194	1223	1431	1323	1530	1467	1504	1698	1577	1781	1723	1959	2285
WAE42(H)*	650	814	979	1328	1555	1937	1036	1241	1267	1482	1384	1599	1533	1569	1772	1645	1859	1798	2045	2385
WAE45(H)*	667	840	1011	1374	1608	2020	1075	1287	1311	1533	1445	1669	1598	1635	1849	1713	1939	1872	2135	2490
WAE48(H)*	683	865	1045	1420	1662	2101	1114	1333	1355	1584	1506	1738	1664	1701	1923	1782	2017	1949	2223	2593
<b>WALL ANGLE END - 39" &amp; 42" H</b>																				
WAE24(H)*	590	695	806	1085	1262	1508	840	984	1036	1204	1080	1238	1189	1223	1381	1280	1448	1399	1586	1847
WAE27(H)*	614	729	850	1152	1338	1616	890	1043	1099	1277	1157	1326	1274	1311	1482	1374	1555	1501	1704	1986
WAE30(H)*	634	760	889	1208	1401	1715	936	1097	1152	1336	1228	1408	1350	1389	1570	1455	1647	1589	1811	2112
WAE33(H)*	653	789	928	1260	1464	1808	980	1152	1202	1396	1299	1489	1425	1465	1659	1535	1740	1677	1913	2230
WAE36(H)*	672	817	967	1316	1528	1903	1026	1206	1255	1457	1370	1570	1498	1542	1747	1616	1832	1766	2017	2351
WAE36(H)DD*	685	834	985	1342	1559	1940	1046	1230	1280	1486	1398	1601	1528	1572	1782	1649	1869	1801	2057	2398
WAE39(H)*	689	853	1018	1401	1638	2015	1075	1275	1336	1562	1428	1649	1586	1632	1854	1710	1944	1869	2139	2493
WAE42(H)*	707	884	1057	1457	1703	2110	1121	1330	1389	1623	1499	1730	1660	1708	1942	1791	2037	1957	2240	2614
WAE45(H)*	728	912	1096	1511	1764	2206	1167	1384	1442	1682	1572	1811	1735	1786	2032	1872	2132	2047	2346	2736
WAE48(H)*	746	941	1135	1565	1828	2301	1213	1438	1492	1743	1643	1893	1810	1862	2120	1952	2223	2134	2449	2858
"(H)" Specify height																				
<b>WALL PENNINSULA</b>																				
WPEN3024**	836	960	1079	1335	1508	1896	1111	1267	1289	1455	1360	1526	1474	1537	1713	1594	1779	1760	1940	2205
WPEN3030**	907	1070	1186	1481	1676	2139	1228	1406	1428	1615	1533	1721	1667	1732	1937	1799	2015	1984	2205	2513
WPEN30(33 or 36)**	940	1096	1247	1565	1774	2285	1296	1486	1509	1708	1635	1838	1784	1849	2071	1922	2156	2118	2361	2697
WPEN30(39 or 42)**	1018	1192	1360	1742	1976	2564	1421	1632	1677	1900	1818	2044	2008	2074	2329	2159	2425	2378	2664	3051

# Wall Cabinets

\* L or R required

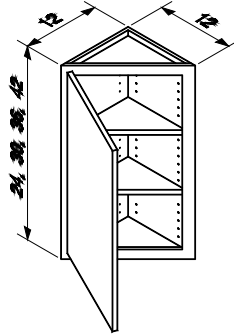
## WALL END ANGLE

• Ends (back) not prepped for finished panels

### MODIFICATION LIMITS

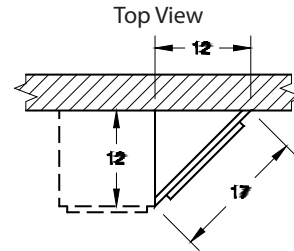
Width No Width Mods  
 Height 12" – 48"  
 Depth No Depth Mods

Overall Cabinet Heights	Qty of Shelves
18-1/4" – 24"	1
24-1/4" – 36"	2
36-1/4" – 48"	3



### WEA

- WEA1224\*
- WEA1230\*
- WEA1233\*
- WEA1236\*
- WEA1239\*
- WEA1242\*



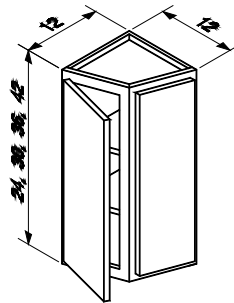
	C0	C1	C2	C4	C4A	C5	C7	C7A	C9	C9A	C10	C10A	C11	C12	C12A	C13	C13A	C14	C15	C16
<b>WALL END ANGLE</b>																				
WEA1224*	304	353	409	541	622	712	426	490	517	595	531	604	568	583	639	611	668	663	721	834
WEA1230*	315	366	422	560	639	734	444	512	536	611	546	624	585	600	658	628	689	683	746	865
WEA1233*	327	382	443	585	678	778	463	544	560	648	582	663	619	636	695	665	728	724	785	911
WEA1236*	327	382	443	585	678	778	463	544	560	648	582	663	619	636	695	665	728	724	785	911
WEA1239*	356	419	487	655	758	865	512	592	626	724	650	741	687	706	787	738	824	804	887	1029
WEA1242*	356	419	487	655	758	865	512	592	626	724	650	741	687	706	787	738	824	804	887	1029

## WALL END CABINET

• Doors are hinged on outside stiles  
 • See notes and adjustable shelf chart above

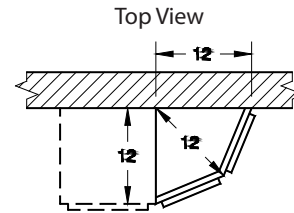
### MODIFICATION LIMITS

Width No Width Mods  
 Height 12" – 48"  
 Depth No Depth Mods



### WEC

- WEC1224
- WEC1230
- WEC1233
- WEC1236
- WEC1239
- WEC1242



	C0	C1	C2	C4	C4A	C5	C7	C7A	C9	C9A	C10	C10A	C11	C12	C12A	C13	C13A	C14	C15	C16
<b>WALL END CABINET</b>																				
WEC1224	609	717	840	1130	1309	1509	877	1019	1079	1250	1109	1269	1191	1225	1348	1284	1413	1401	1526	1777
WEC1230	634	746	870	1174	1345	1555	919	1068	1119	1284	1143	1314	1226	1262	1389	1323	1457	1443	1582	1844
WEC1233	661	780	914	1228	1433	1652	960	1138	1172	1367	1221	1399	1303	1340	1470	1404	1542	1533	1669	1944
WEC1236	661	780	914	1228	1433	1652	960	1138	1172	1367	1221	1399	1303	1340	1470	1404	1542	1533	1669	1944
WEC1239	724	863	1013	1381	1610	1842	1068	1243	1318	1535	1370	1572	1450	1492	1672	1565	1754	1710	1893	2206
WEC1242	724	863	1013	1381	1610	1842	1068	1243	1318	1535	1370	1572	1450	1492	1672	1565	1754	1710	1893	2206

# Wall Cabinets

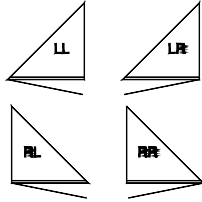
\* L or R required  
 \*\*LL, LR, RL or RR required

## WALL ANGLE BACK

### MODIFICATION LIMITS

Width No Width Mods  
 Height 12" – 48"  
 Depth No Depth Mods

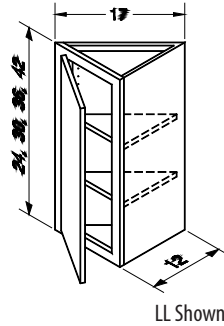
### WAB Orientation & Hinging



Primary Entry

- First (orientation) callout indicates which side angled back is on, second callout designates door hinging

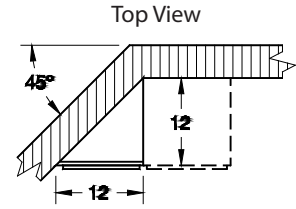
- Angled end (back) not prepped for finished panels
- See adjustable shelf notes at left



LL Shown

### WAB

- WAB1224\*\*
- WAB1230\*\*
- WAB1233\*\*
- WAB1236\*\*
- WAB1239\*\*
- WAB1242\*\*



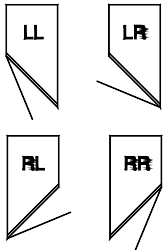
	C0	C1	C2	C4	C4A	C5	C7	C7A	C9	C9A	C10	C10A	C11	C12	C12A	C13	C13A	C14	C15	C16
<b>WALL ANGLE BACK</b>																				
WAB1224**	431	480	536	668	750	840	553	617	644	722	658	731	692	711	767	738	795	790	848	962
WAB1230**	443	494	550	687	767	862	572	639	663	738	673	751	707	728	785	755	816	811	873	992
WAB1233**	455	509	570	712	806	906	590	672	687	775	709	790	743	763	823	792	855	851	912	1038
WAB1236**	455	509	570	712	806	906	590	672	687	775	709	790	743	763	823	792	855	851	912	1038
WAB1239**	483	546	614	782	885	992	639	719	753	851	777	868	811	833	914	865	951	931	1014	1157
WAB1242**	483	546	614	782	885	992	639	719	753	851	777	868	811	833	914	865	951	931	1014	1157

## WALL TRANSITION CABINET

### MODIFICATION LIMITS

Width No Width Mods  
 Height 12" – 48"  
 Depth\* 15" – 24"

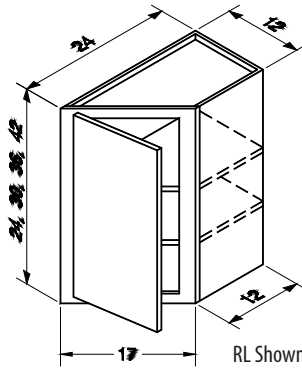
### WTC Orientation & Hinging



Primary Entry

- Accepts finished end panel on shallow side only
- First (orientation) callout designates shallow side, second callout designates door hinging
- See adjustable shelf notes at top left

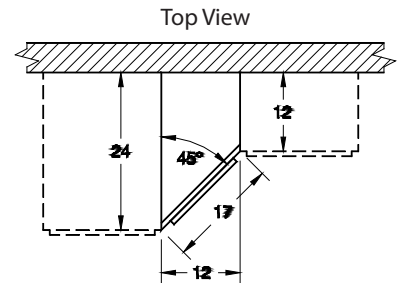
- Depth modifications made to box only, equally to both sides. Specify dimension of deeper side (shallow side will be adjusted accordingly).



RL Shown

### WTC

- WTC1224\*\*
- WTC1230\*\*
- WTC1233\*\*
- WTC1236\*\*
- WTC1239\*\*
- WTC1242\*\*



	C0	C1	C2	C4	C4A	C5	C7	C7A	C9	C9A	C10	C10A	C11	C12	C12A	C13	C13A	C14	C15	C16
<b>WALL TRANSITION CABINET</b>																				
WTC1224**	756	801	843	943	1009	1257	853	914	924	987	951	1014	1001	1021	1091	1045	1118	1167	1184	1291
WTC1230**	787	848	887	1004	1080	1357	902	970	982	1055	1021	1094	1080	1102	1182	1130	1213	1260	1294	1420
WTC1233**	802	858	912	1040	1121	1418	931	1004	1016	1094	1063	1141	1130	1152	1240	1182	1274	1318	1360	1496
WTC1236**	836	899	960	1111	1201	1530	982	1063	1084	1170	1136	1225	1218	1241	1342	1275	1381	1420	1482	1640
WTC1239**	836	899	960	1111	1201	1530	982	1063	1084	1170	1136	1225	1218	1241	1342	1275	1381	1420	1482	1640
WTC1242**	836	899	960	1111	1201	1530	982	1063	1084	1170	1136	1225	1218	1241	1342	1275	1381	1420	1482	1640

# Wall Cabinets

\* L or R required

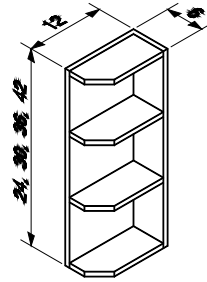
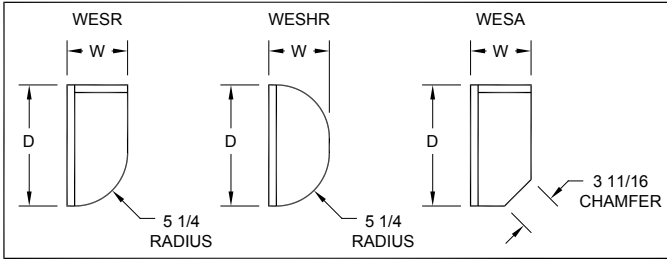
## WALL END SHELF - 6" WIDE

### MODIFICATION LIMITS

Width 6" - 12"  
 Height 18" - 60"  
 Depth 6" - 24"

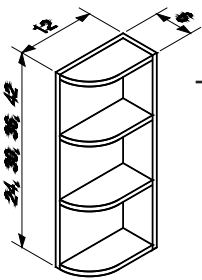
- 3/4" frameless construction finished to match frame on adjoining cabinets
- Right or Left determined by side of cabinet end shelf is to be applied to
- Clearance between shelves ranges from a minimum of 8" to a maximum of 12"

TOP VIEWS



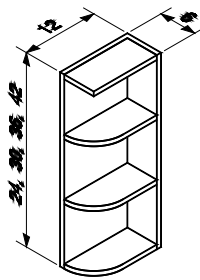
### WESASM

WESA0624  
 WESA0630  
 WESA0633  
 WESA0636  
 WESA0639  
 WESA0642  
 Reversible



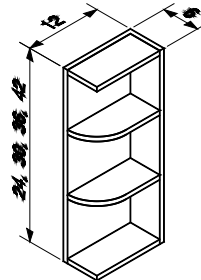
### WESRSM

WESR0624  
 WESR0630  
 WESR0633  
 WESR0636  
 WESR0639  
 WESR0642  
 Reversible



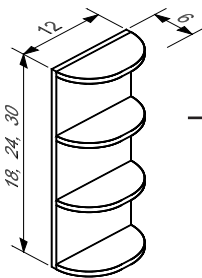
### WESRS1SM

WESR0624S1\*  
 WESR0630S1\*  
 WESR0633S1\*  
 WESR0636S1\*  
 WESR0639S1\*  
 WESR0642S1\*  
 Right Shown



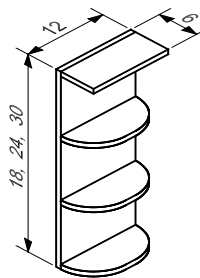
### WESRS2SM

WESR0624S2  
 WESR0630S2  
 WESR0633S2  
 WESR0636S2  
 WESR0639S2  
 WESR0642S2  
 Reversible



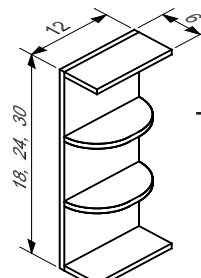
### WESHRSM

WESH0618  
 WESH0624  
 WESH0630  
 Reversible



### WESHRS1SM

WESH0618S1  
 WESH0624S1  
 WESH0630S1  
 Reversible



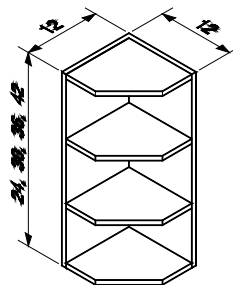
### WESHRS2SM

WESH0618S2  
 WESH0624S2  
 WESH0630S2  
 Reversible

## WALL END SHELF - 12" WIDE

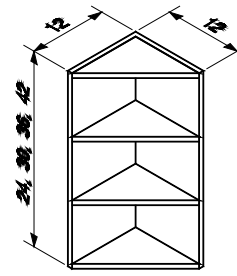
### MODIFICATION LIMITS

Width No Width Mods  
 Height 18" - 60"  
 Depth No Depth Mods



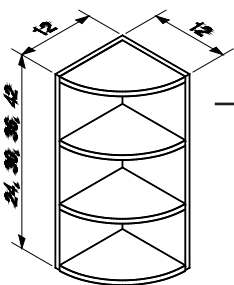
### WESALG

WESA1224  
 WESA1230  
 WESA1233  
 WESA1236  
 WESA1239  
 WESA1242  
 Reversible



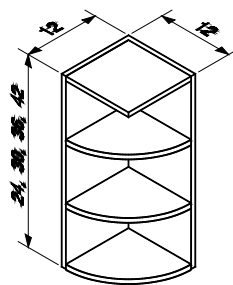
### WESDLG

WESD1224  
 WESD1230  
 WESD1233  
 WESD1236  
 WESD1239  
 WESD1242  
 Reversible



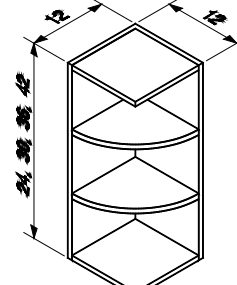
### WESRLG

WESR1224  
 WESR1230  
 WESR1233  
 WESR1236  
 WESR1239  
 WESR1242  
 Reversible



### WESRS1LG

WESR1224S1  
 WESR1230S1  
 WESR1233S1  
 WESR1236S1  
 WESR1239S1  
 WESR1242S1  
 Reversible



### WESRS2LG

WESR1224S2  
 WESR1230S2  
 WESR1233S2  
 WESR1236S2  
 WESR1239S2  
 WESR1242S2  
 Reversible

# Wall Cabinets

\* L or R required

	C0	C1	C2	C4	C4A	C5	C7	C7A	C9	C9A	C10	C10A	C11	C12	C12A	C13	C13A	C14	C15	C16
<b>WALL END SHELVES - 6" W</b>																				
WESA0624*	331	331	331	344	344	331	331	331	331	331	331	331	331	331	331	344	344	331	331	331
WESA0630*	370	370	370	385	385	370	370	370	370	370	370	370	370	370	370	385	385	370	370	370
WESA06(33 or 36)*	409	409	409	427	427	409	409	409	409	409	409	409	409	409	409	427	427	409	409	409
WESA06(39 or 42)*	465	465	465	485	485	465	465	465	465	465	465	465	465	465	465	485	485	465	465	465
WESR0624*	331	331	331	344	344	331	331	331	331	331	331	331	331	331	331	344	344	331	331	331
WESR0630*	370	370	370	385	385	370	370	370	370	370	370	370	370	370	370	385	385	370	370	370
WESR06(33 or 36)*	409	409	409	427	427	409	409	409	409	409	409	409	409	409	409	427	427	409	409	409
WESR06(39 or 42)*	465	465	485	485	465	465	465	465	465	465	465	465	465	465	485	485	465	465	465	465
WESR0624S1*	331	331	331	344	344	331	331	331	331	331	331	331	331	331	331	344	344	331	331	331
WESR0630S1*	370	370	370	385	385	370	370	370	370	370	370	370	370	370	370	385	385	370	370	370
WESR06(33 or 36)S1*	409	409	409	427	427	409	409	409	409	409	409	409	409	409	409	427	427	409	409	409
WESR06(39 or 42)S1*	465	465	485	485	465	465	465	465	465	465	465	465	465	465	485	485	465	465	465	465
WESR0624S2*	331	331	331	344	344	331	331	331	331	331	331	331	331	331	331	344	344	331	331	331
WESR0630S2*	370	370	370	385	385	370	370	370	370	370	370	370	370	370	370	385	385	370	370	370
WESR06(33 or 36)S2*	409	409	409	427	427	409	409	409	409	409	409	409	409	409	409	427	427	409	409	409
WESR06(39 or 42)S2*	465	465	485	485	465	465	465	465	465	465	465	465	465	465	485	485	465	465	465	465
WESHR0618	292	292	292	304	304	292	292	292	292	292	292	292	292	292	292	304	304	292	292	292
WESHR0624	331	331	331	344	344	331	331	331	331	331	331	331	331	331	331	344	344	331	331	331
WESHR0630	370	370	370	385	385	370	370	370	370	370	370	370	370	370	370	385	385	370	370	370
WESHR0618S1	292	292	292	304	304	292	292	292	292	292	292	292	292	292	292	304	304	292	292	292
WESHR0624S1	331	331	331	344	344	331	331	331	331	331	331	331	331	331	331	344	344	331	331	331
WESHR0630S1	370	370	370	385	385	370	370	370	370	370	370	370	370	370	370	385	385	370	370	370
WESHR0618S2	292	292	292	304	304	292	292	292	292	292	292	292	292	292	292	304	304	292	292	292
WESHR0624S2	331	331	331	344	344	331	331	331	331	331	331	331	331	331	331	344	344	331	331	331
WESHR0630S2	370	370	370	385	385	370	370	370	370	370	370	370	370	370	370	385	385	370	370	370
<b>WALL END SHELVES - 12" W</b>																				
WESA1224	380	380	380	397	397	380	380	380	380	380	380	380	380	380	380	397	397	380	380	380
WESA1230	419	419	419	438	438	419	419	419	419	419	419	419	419	419	419	438	438	419	419	419
WESA12(33 or 36)	458	458	458	478	478	458	458	458	458	458	458	458	458	458	458	478	478	458	458	458
WESA12(39 or 42)	531	531	531	555	555	531	531	531	531	531	531	531	531	531	531	555	555	531	531	531
WESD1224	380	380	380	397	397	380	380	380	380	380	380	380	380	380	380	397	397	380	380	380
WESD1230	419	419	419	438	438	419	419	419	419	419	419	419	419	419	419	438	438	419	419	419
WESD12(33 or 36)	458	458	458	478	478	458	458	458	458	458	458	458	458	458	458	478	478	458	458	458
WESD12(39 or 42)	531	531	531	555	555	531	531	531	531	531	531	531	531	531	531	555	555	531	531	531
WESR1224	380	380	380	397	397	380	380	380	380	380	380	380	380	380	380	397	397	380	380	380
WESR1230	419	419	419	438	438	419	419	419	419	419	419	419	419	419	419	438	438	419	419	419
WESR12(33 or 36)	458	458	458	478	478	458	458	458	458	458	458	458	458	458	458	478	478	458	458	458
WESR12(39 or 42)	531	531	531	555	555	531	531	531	531	531	531	531	531	531	531	555	555	531	531	531
WESR1224S1	380	380	380	397	397	380	380	380	380	380	380	380	380	380	380	397	397	380	380	380
WESR1230S1	419	419	419	438	438	419	419	419	419	419	419	419	419	419	419	438	438	419	419	419
WESR12(33 or 36)S1	458	458	458	478	478	458	458	458	458	458	458	458	458	458	458	478	478	458	458	458
WESR12(39 or 42)S1	531	531	531	555	555	531	531	531	531	531	531	531	531	531	531	555	555	531	531	531
WESR1224S2	380	380	380	397	397	380	380	380	380	380	380	380	380	380	380	397	397	380	380	380
WESR1230S2	419	419	419	438	438	419	419	419	419	419	419	419	419	419	419	438	438	419	419	419
WESR12(33 or 36)S2	458	458	458	478	478	458	458	458	458	458	458	458	458	458	458	478	478	458	458	458
WESR12(39 or 42)S2	531	531	531	555	555	531	531	531	531	531	531	531	531	531	531	555	555	531	531	531

# Wall Cabinets

<< Intentionally Blank >>

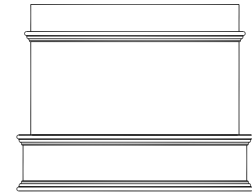
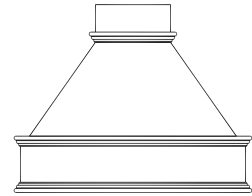
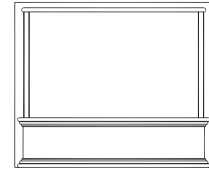
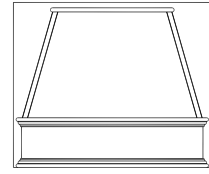


# Wall Cabinets – Wood Hoods

## WOOD HOODS

### General Information

- Five different types of hoods are available and each have several canopy, chimney and valance design options (see individual hoods)
- Accepts our standard powered hood liners (available with a variety of size, power and lighting options)
  - Order with or without the powered hood liner
- Available in two depths for standard and pro-style residential ranges and cooktops
- Species: available in all (Rustic available in select canopies only; specified with individual hoods)
- Species and color will match cabinet face frames
- Constructed of solid wood and plywood Veneer
- Available with all Finish Enhancements
  - Distressing note: solid wood pieces will show heavier and more distress marks than wood Veneer components
- Fully assembled and cartoned for shipping



### HOW TO ORDER WOOD HOODS

Style +	Width +	Height +	Depth +	Valance option	Canopy option	Chimney option	"-" +	* Power Liner opt.
H1F	36	30	X 20	A	E	if required	-	625

\*Power liners:  
refer to wood hood pricing pages and liner specs to find compatible liners for each hood  
(blank = no liner | NV = Non venting liner)

**If you order a wood hood without our standard hood liner, it is your responsibility to ensure that the hood liner fits.**

# Wall Cabinets – Wood Hoods

## H1F Wood Hood (H1F\_)

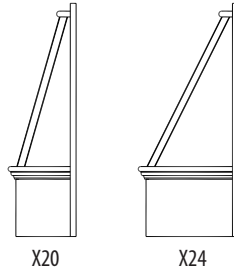
- Tapered front and sides
- Designed to be installed between two cabinets
- Rustic available with canopy option D only
- Loose filler kit (HFK) required; order size indicated on pricing pages

### Valance Options (listed first in nomenclature):

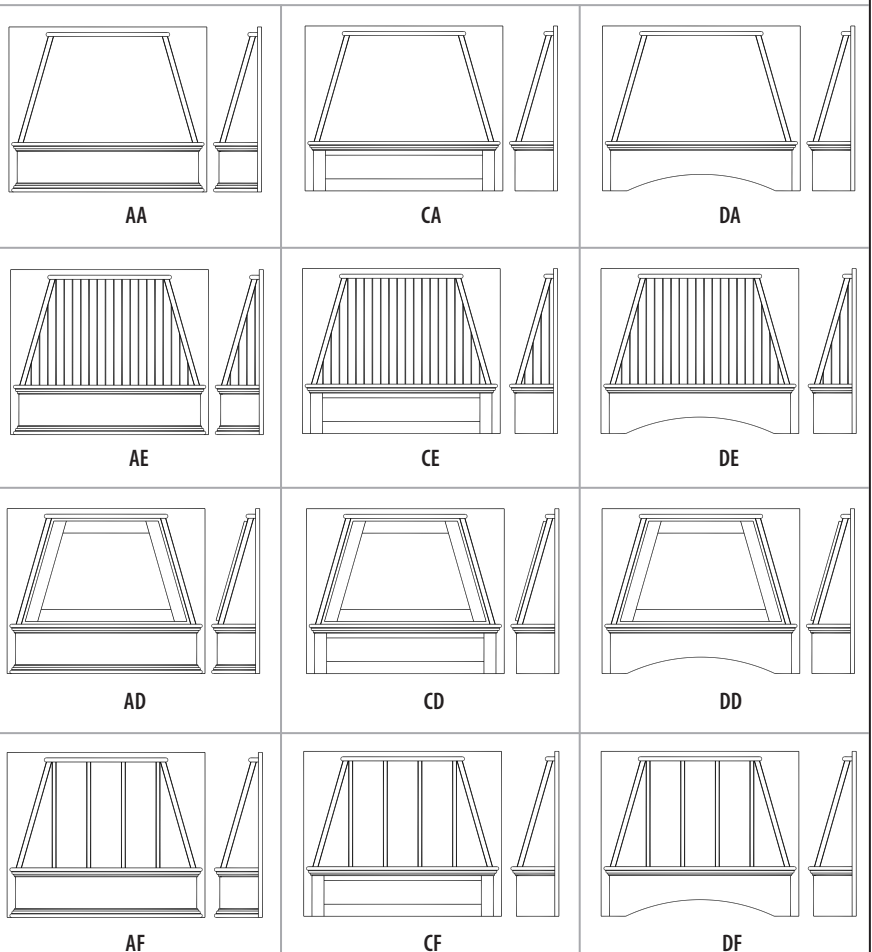
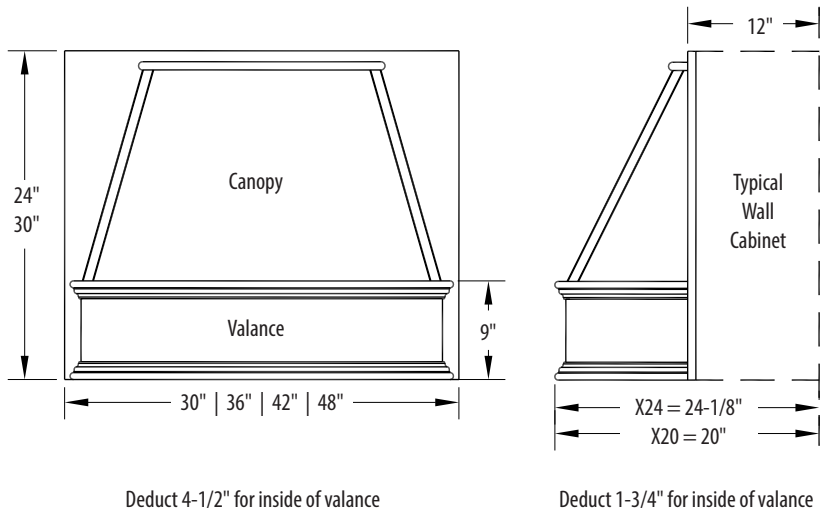
A	Flush face with hood moulding top and bottom
B	Integrated door panel with hood moulding top only
C	Valances with panels will follow DFMD drawer front rules. Exception: Applied Moulding styles will have recessed panels with 2-1/4" rails.
	Valances will have a single panel. Exception: Cape Cod Solid – vertical grain double panel will be used for 42" and 48" W.
	<b>Not available:</b> Mitered, Thermofoil or Normandy
D	Flush arched face with hood moulding top only

### Canopy Options (listed second in nomenclature):

A	Flush (vertical grain)
B	Flush (vertical grain) with plant-on door 42" & 48" W: plant-on door will have center mullion with two panels
D	<b>Not available:</b> Roman, Center, Mitered, Wood Veneer, Solid Wood Slab, LPL, HPL, Thermofoil, or Normandy
E	Flush beaded panel with vertical grain <b>Not available:</b> Cape Cod Solid
F	Flush (vertical grain) with 1/4" x 3/4" batten strips Quantity per width: 30" = 3   36" = 4   42" = 5   48" = 6



H1F Hoods	
W	30"   36"   42"   48"
H	24"   30"
D	20"   24" (Nominal)
Modification Limits	
W   H   D	N/A



### HOW TO ORDER

Style +	Width +	Height +	Depth +	Valance option	Canopy option	"-" +	Pwr Liner opt.
H1F	36	30	X 20	A	E	-	625
1	HFK320 (Loose filler kit)						

See pg W-106, 107 for H1F pricing

# Wall Cabinets – Wood Hoods

## H2F Wood Hood (H2F\_)

- Tapered front and square sides
- Designed to be installed between two cabinets
- Rustic available with canopy option D only
- Loose filler kit (HFK) required; order size indicated on pricing pages

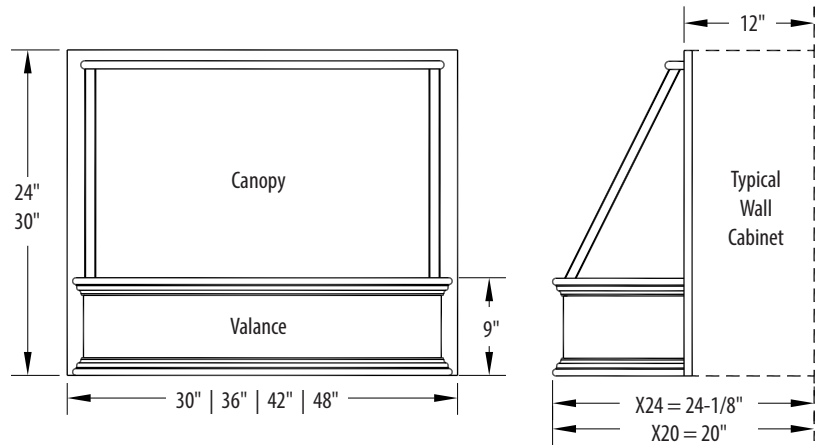
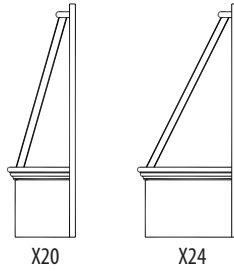
### Valance Options (listed first in nomenclature):

A	Flush face with hood moulding top and bottom
C	Integrated door panel with hood moulding top only
	Valances with panels will follow DFMD drawer front rules. Exception: Applied Moulding styles will have recessed panels with 2-1/4" rails.
	Valances will have a single panel. Exception: Cape Cod Solid – vertical grain double panel will be used for 42" and 48" W.
	<b>Not available:</b> Mitered, Thermofoil or Normandy
D	Flush arched face with hood moulding top only

### Canopy Options (listed second in nomenclature):

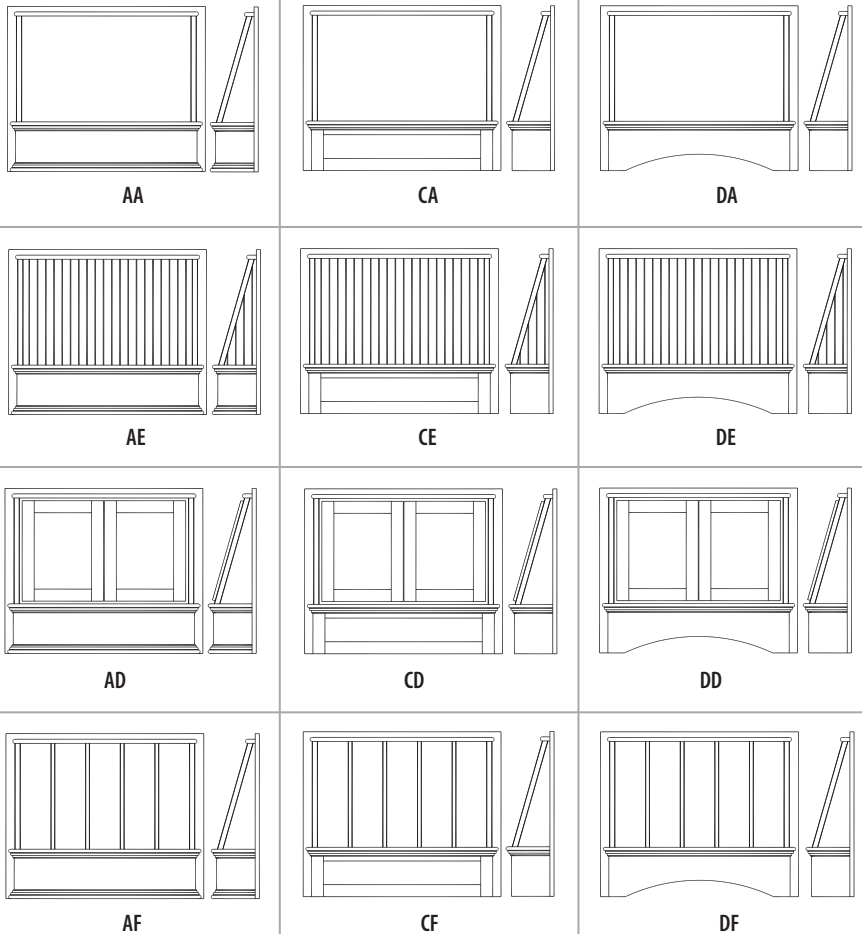
A	Flush (vertical grain)
D	Flush (vertical grain) with plant-on door
	<b>Not available:</b> Wood Veneer, Solid Wood Slab, LPL, HPL or Thermofoil
E	Flush beaded panel with vertical grain
	<b>Not available:</b> Cape Cod Solid
F	Flush (vertical grain) with 1/4" x 3/4" batten strips Quantity per width: 30" = 3   36" = 4   42" = 5   48" = 6

H2F Hoods	
W	30"   36"   42"   48"
H	24"   30"
D	20"   24" (Both nominal)
Modification Limits	
W   H   D	N/A



Deduct 4-1/2" for inside of valance

Deduct 1-3/4" for inside of valance



### HOW TO ORDER

Style +	Width +	Height +	Depth +	Valance option	Canopy option	"_" +	Pwr Liner opt.
H2F	36	30	X 20	A	E	-	625
1	HFK320 (Loose filler kit)						

See pg W-108, 109 for H2F pricing

# Wall Cabinets – Wood Hoods

## Wood Hood #1 (H1S\_ & H1T\_)

- Tapered front and sides
- Rustic available with canopy options B and C only
- Height modifications made to chimney section

### Valance Options (listed first in nomenclature):

A	Flush face with hood moulding top and bottom
B	Panel face and sides with hood moulding top only
C	Panel face, flush sides with hood moulding top only
B & C notes	Valances with panels will follow DFMD drawer front rules. Exception: Applied Moulding styles will have recessed panels with 2-1/4" rails.
	Valances will have a single panel. Exception: Cape Cod Solid – vertical grain double panel will be used for 42" and 48" W
	<b>Not available:</b> Mitered, Thermofoil or Normandy
D	Flush arched face with hood moulding top only

### Canopy Options (listed second in nomenclature):

A	Flush (vertical grain)
B	Panel face and sides
C	Panel face and flush sides

Canopies with panels will have a single panel for 36" W and double panels for 42" & 48" W

**Not available:** Roman, Center, Mitered, Wood Veneer, Solid Wood Slab, LPL, HPL, Thermofoil, or Normandy

### Chimney (listed third in nomenclature):

A	Flush (vertical grain)
---	------------------------

Width and depth callouts are nominal, overall sizes include moulding

Nominal W	Overall W	Chimney W
36	38	12
42	44	18
48	50	24

Nominal D	Overall D	Chimney D
24	25	12

### HOW TO ORDER

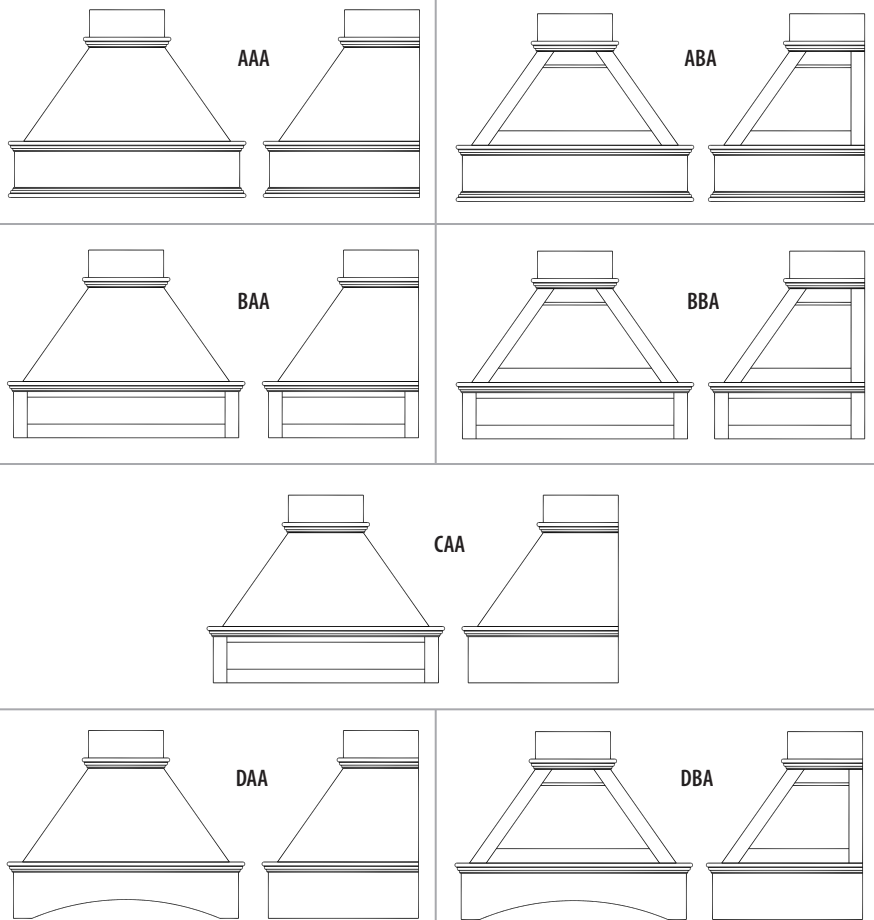
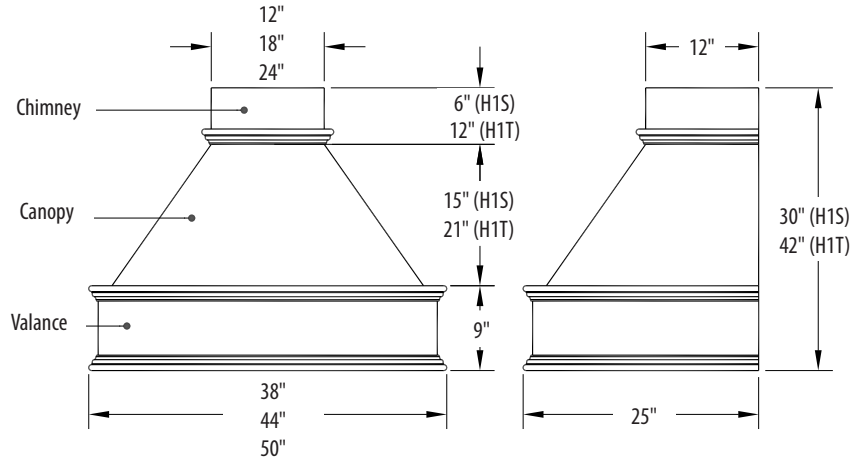
Style +	Width +	Height +	Depth +	Valance	Canopy	Chmy	Pwr Liner opt.
H1S	36	30	X 24	A	B	A	- 750

See pg W-110 for H1S & H1T pricing

H1S and H1T Hoods	
W	36"   42"   48" (All nominal)
H	30" (H1S)   42" (H1T)
D	24" (Nominal)

Modification Limits	
W   D	N/A
H	27 - 54" (H1S)   33 - 60" (H1T)



# Wall Cabinets – Wood Hoods

## Wood Hood #2 (H2S\_ & H2T\_)

- Tapered front and square sides
- Rustic available with canopy option C only
- Height modifications made to chimney section

### Valance Options (listed first in nomenclature):

A	Flush face with hood moulding top and bottom
C	Integrated door panel with hood moulding top only
	Valances with panels will follow DFMD drawer front rules. Exception: Applied Moulding styles will have recessed panels with 2-1/4" rails.
D	Valances will have a single panel. Exception: Cape Cod Solid – vertical grain double panel will be used for 42" and 48" W.
	<b>Not available:</b> Mitered, Thermofoil or Normandy
D	Flush arched face with hood moulding top only

### Canopy Options (listed second in nomenclature):

A	Flush (vertical grain)
C	Panel face and flush sides

Canopies with panels will have a single panel for 36" W and double panels for 42" & 48" W (Center styles will have three panels for 36" W and four panels for 42" & 48" W)

**Not available:** Roman, Mitered, Wood Veneer, Solid Wood Slab, LPL, HPL, Thermofoil, or Normandy

### Chimney (listed third in nomenclature):

A	Flush (vertical grain)
---	------------------------

Width and depth callouts are nominal, overall sizes include moulding

Nominal W	Overall W	Chimney W
30	32	27-1/2
36	38	33-1/2
42	44	39-1/2
48	50	45-1/2

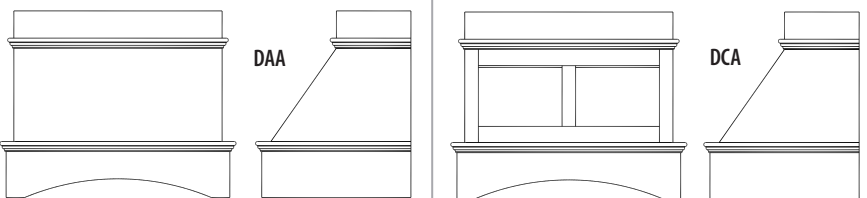
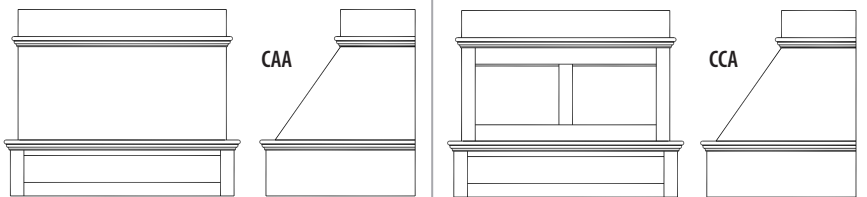
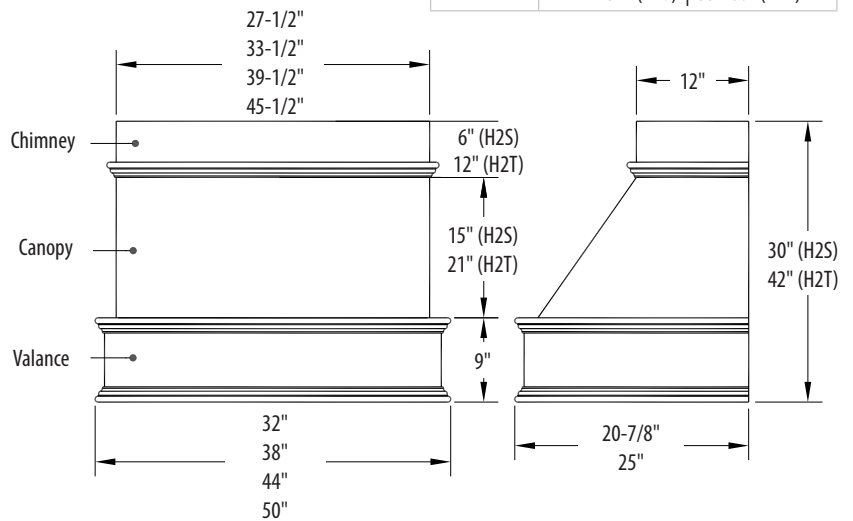
Nominal D	Overall D	Chimney D
20	20-7/8	12
24	25	12

### HOW TO ORDER

Style +	Width +	Height +	Depth +	Valance	Canopy	Chmy	Pwr Liner opt.
H2S	36	30	X 20	A	C	A	- 750

See pg W-110, 111 for H2S & H2T pricing

H2S and H2T Hoods	
W	30"   36"   42"   48" (All nominal)
H	30" (H2S)   42" (H2T)
D	20"   24" (Both nominal)
Modification Limits	
W   D	N/A
H	27 - 54" (H2S)   33 - 60" (H2T)



# Wall Cabinets – Wood Hoods

## Wood Hood #3 (H3S\_ & H3T\_)

- Square (vertical) front and sides (upper section is Chimney)
- Rustic available with canopy option C only
- Height modifications made to chimney section

### Valance Options (listed first in nomenclature):

<b>A</b>	Flush face with hood moulding top and bottom
<b>C</b>	Integrated door panel with hood moulding top only Valances with panels will follow DFMD drawer front rules. Exception: Applied Moulding styles will have recessed panels with 2-1/4" rails Valances will have a single panel. Exception: Cape Cod Solid – vertical grain double panel will be used for 42" and 48" W <b>Not available:</b> Mitered, Thermofoil or Normandy
<b>D</b>	Flush arched face with hood moulding top only

### Chimney Options (listed second in nomenclature):

<b>A</b>	Flush (vertical grain)
<b>C</b>	Panel face and flush sides

Chimneys with panels will have a single panel for 36" W and double panels for 42" & 48" W (Center styles will have three panels for 36" W and four panels for 42" & 48" W)

**Not available:** Roman, Mitered, Wood Veneer, Solid Wood Slab, LPL, HPL, Thermofoil, or Normandy

Width and depth callouts are nominal, overall sizes include moulding

Nominal W	Overall W	Chimney W
30	32	27-1/2
36	38	33-1/2
42	44	39-1/2
48	50	45-1/2

Nominal D	Overall D	Chimney D
20	20-7/8	16
24	25	20-1/8

### HOW TO ORDER

Style +	Width +	Height +	Depth +	Valance	Chimney		Pwr Liner opt.
H3T	36	42	X 24	A	C	-	750

### HOW TO ORDER w/ Modified sizes

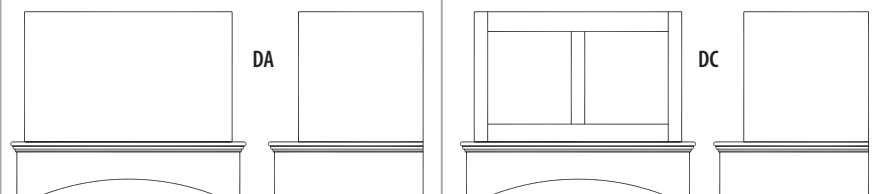
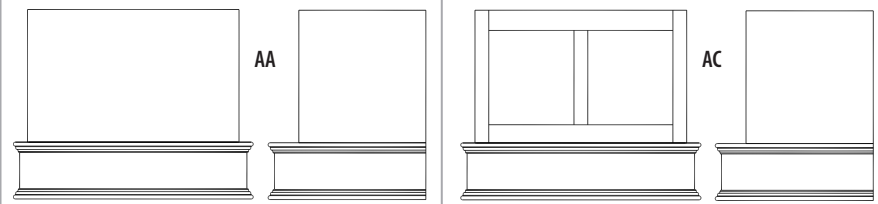
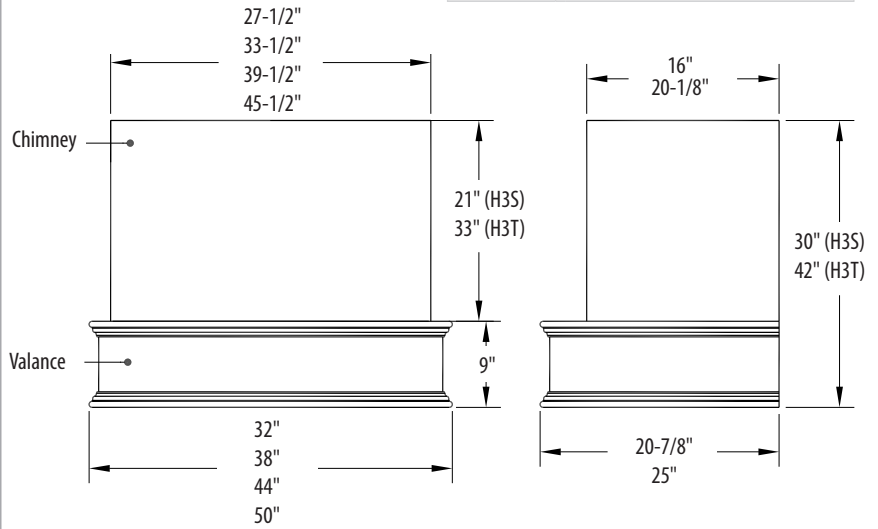
Style +	Width +	Height +	Depth +	Valance	Chimney		Pwr Liner opt.
H3	36	40	X 24	A	C	-	1250

See pg W-112, 113 for H3S & H3T pricing

H3S and H3T Hoods	
<b>W</b>	30"   36"   42"   48" (All nominal)
<b>H</b>	30" (H3S)   42" (H3T)
<b>D</b>	20"   24" (Both nominal)

Modification Limits	
<b>W   D</b>	N/A
<b>H</b>	27 - 60"

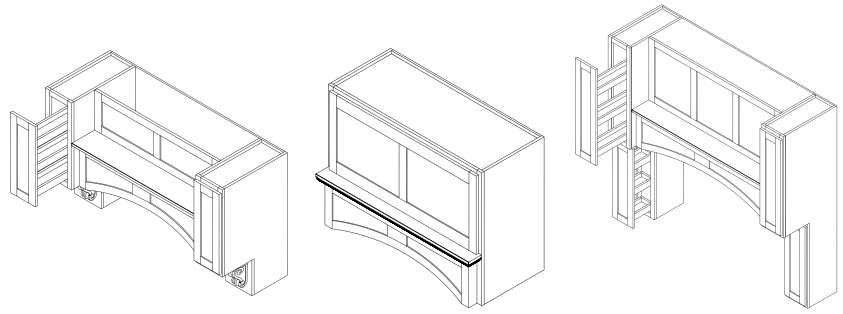


# Wall Cabinets

## HOOD MANTELS

### General Information

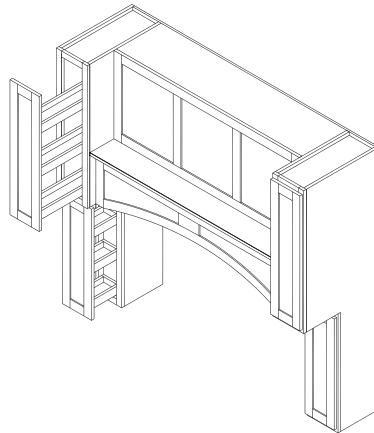
- Three hood mantel styles available (HMA, HMB and HMC)
- Features vary by style - see individual info
- Plywood box construction standard (no up-charge applied)
- Available in all wood species
- When ordering Mitered door styles, DVAL and FFBW will be M&T construction. Only pull-outs will match mitered door style
- Modified Overlay only
- **Not available:** Laminate, Thermofoil, or Slab door styles
- Accepts our standard powered hood liners (available with a variety of size, power and lighting options)
  - Order with or without powered hood liner



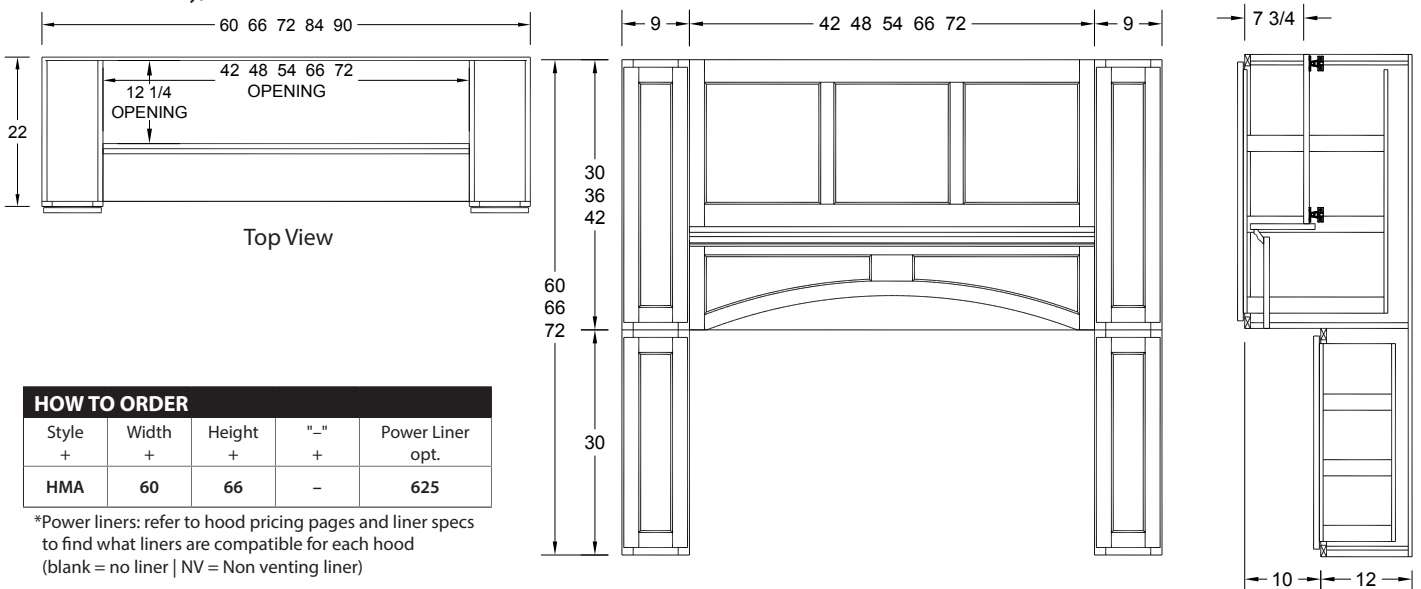
### Hood Mantel - Style A (HMA\_)

#### Features:

- Two columns with pantry pull-outs
- Side mount zinc full-extension guides used on pull-outs
- Rabbeted joints on pull-out boxes
- Decorative valance (DVAL)
- Finished Furniture Wall (on front)
- Finished ends, back and top shelf (mantel)
- 2" crown moulding
- **Note:** 90"W mantels with power liner requires two 3/4" flanges (FLANGE7500 ordered loose only)



HMA Hood Mantel		
W	60"	66"   72"   84"   90"
H	60"   66"   72"	66"
D	22"	
Modification Limits		
W   H   D	N/A	



#### HOW TO ORDER

Style	Width	Height	"-"	Power Liner opt.
HMA	60	66	-	625

\*Power liners: refer to hood pricing pages and liner specs to find what liners are compatible for each hood (blank = no liner | NV = Non venting liner)

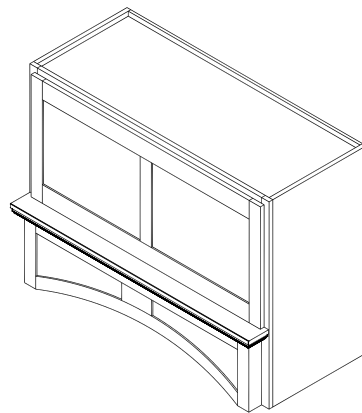
**See pg W-114 for HMA pricing**

# Wall Cabinets – Wood Hoods

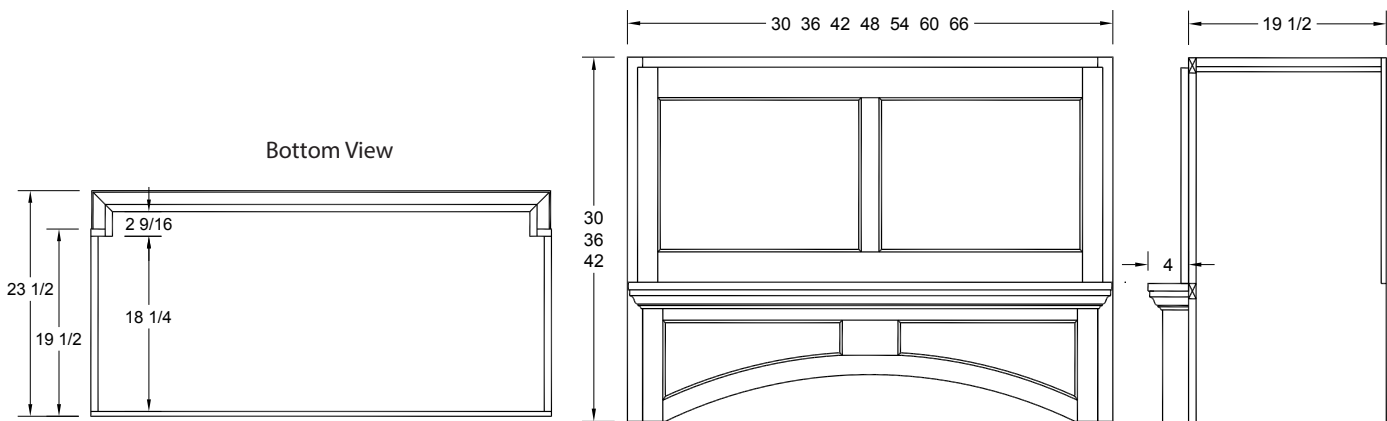
## Hood Mantel - Style B (HMB\_)

### Features:

- Decorative valance (DVAL)
- Finished Furniture Wall (on front)
- Finished ends, back and top shelf (mantel)
- 2" crown moulding
- M&T door styles only



HMB Hood Mantel	
W	30"   36"   42"   48"   54"   60"   66"
H	30"   36"   42"
D	23-1/2"
Modification Limits	
W   H   D	N/A



### HOW TO ORDER

Style	Width	Height	"-"	Power Liner opt.
HMB	54	42	-	625

\*Power liners: refer to hood pricing pages and liner specs to find what liners are compatible for each hood (blank = no liner | NV = Non venting liner)

**See pg W-115, 116 for HMB pricing**

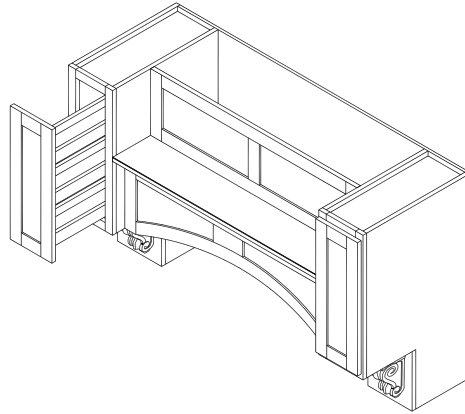


# Wall Cabinets

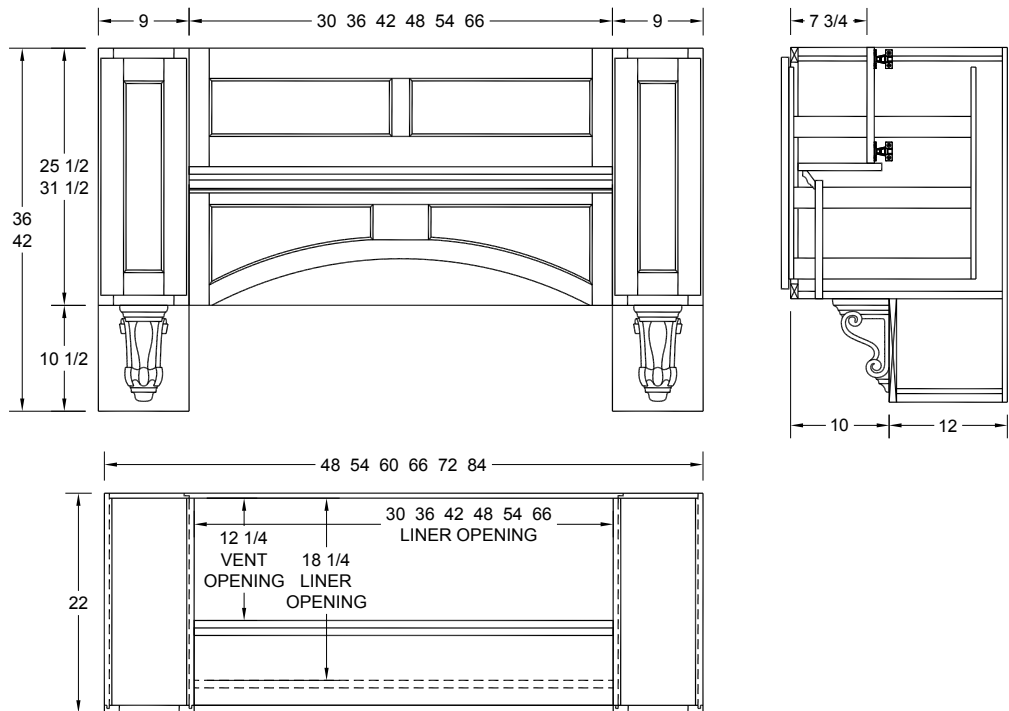
## Hood Mantel - Style C (HMC\_)

### Features:

- Two columns with pantry pull-outs
- Side mount zinc full-extension guides used on pull-outs
- Rabbeted joints on pull-out boxes
- Decorative valance (DVAL)
- Finished Furniture Wall (on front)
- Finished ends, back and top shelf (mantel)
- Corbels (Brown Wood Inc. #01605001)
  - Species will be Cherry, Maple or Oak
- 2" crown moulding



HMC Hood Mantels	
W	48"   54"   60"   66"   72"   84"
H	36"   42"
D	22"
Modification Limits	
W   H   D	N/A



Top View

### HOW TO ORDER

Style	Width	Height	"-"	Power Liner opt.
HMC	60	42	-	625

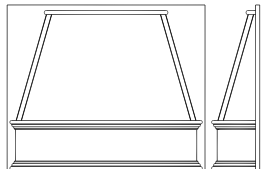
\*Power liners: refer to hood pricing pages and liner specs to find what liners are compatible for each hood (blank = no liner | NV = Non venting liner)

**See pg W-117 for HMC pricing**

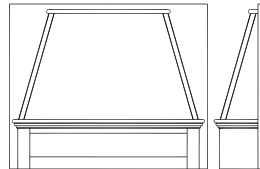
# Wall Cabinets – H1F Wood Hood Pricing

H1F Wood Hood	Powered Hood Liner Included	MSRP												Power Liner Size Needed		Filler Kit Req'd	
		AA	AD	AE	AF	CA	CD	CE	CF	DA	DD	DE	DF	W	D		
<b>24" H x 20" D</b>																	
H1F3024X20	-	1319	1704	1387	1404	1447	1832	1515	1531	1421	1806	1489	1506	25.375	18.125	HFK212	
H1F3024X20-360	C2027SD2	2824	3209	2892	2909	2951	3336	3019	3036	2926	3311	2993	3010				
H1F3024X20-430	C2027SD4	3406	3791	3473	3490	3533	3918	3601	3618	3507	3892	3575	3592				
H1F3024X20-625	C2027BP1	4735	5120	4803	4820	4862	5247	4930	4947	4837	5222	4905	4922				
H1F3624X20	-	1382	1827	1459	1467	1518	1962	1594	1603	1492	1937	1569	1577	28.375	18.125		
H1F3624X20-625	C2030BP1	4798	5242	4874	4883	4934	5378	5010	5018	4908	5353	4985	4993				
H1F3624X20-735	C2030BP	5500	5944	5576	5585	5636	6080	5712	5721	5610	6055	5687	5695				
H1F3624X20-430	C2030SD4	3468	3913	3545	3553	3604	4048	3680	3689	3579	4023	3655	3663				
H1F3624X20-360	C2030SD2	3194	3638	3270	3278	3329	3774	3406	3414	3304	3748	3380	3389				
H1F3624X20-NV	C2030SD2NV	3285	3730	3361	3370	3421	3865	3497	3506	3395	3840	3472	3480				
H1F4224X20	-	1447	1949	1531	1574	1591	2093	1676	1718	1565	2067	1650	1693	34.375	18.125	HFK320	
H1F4224X20-625	C2036BP1	5015	5517	5100	5142	5159	5661	5244	5286	5134	5636	5219	5261				
H1F4224X20-735	C2036BP	5726	6228	5810	5853	5870	6372	5955	5997	5844	6346	5929	5972				
H1F4224X20-1250	C2036BP1-TW	6123	6625	6207	6250	6267	6769	6352	6394	6241	6743	6326	6368				
H1F4224X20-430	C2036SD4	3640	4142	3724	3767	3784	4286	3869	3911	3758	4260	3843	3886				
H1F4224X20-360	C2036SD2	3356	3858	3441	3484	3501	4003	3585	3628	3475	3977	3560	3602				
H1F4224X20-NV	C2036SD2NV	3426	3928	3511	3553	3570	4072	3655	3697	3545	4047	3629	3672				
H1F4824X20	-	1511	2069	1604	1638	1664	2222	1757	1791	1638	2196	1732	1766				
H1F4824X20-625	C2042BP1	5208	5766	5302	5336	5361	5919	5454	5488	5336	5894	5429	5463	40.375	18.125		
H1F4824X20-735	C2042BP	5919	6477	6012	6046	6072	6630	6165	6199	6046	6604	6140	6173				
H1F4824X20-1250	C2042BP1-TW	6324	6882	6418	6452	6477	7035	6570	6604	6452	7010	6545	6579				
H1F4824X20-430	C2042SD4	3811	4369	3904	3938	3964	4522	4057	4091	3938	4496	4031	4065				
H1F4824X20-360	C2042SD2	3528	4086	3621	3655	3680	4238	3774	3808	3655	4213	3748	3782				
<b>24" H x 24" D</b>																	
H1F3624X24	-	1450	1942	1526	1535	1577	2069	1654	1662	1552	2044	1628	1637	28.375	22.25	HFK324	
H1F3624X24-750	C2030PS	6438	6930	6514	6523	6565	7057	6642	6650	6540	7032	6616	6625				
H1F4224X24	-	1521	2096	1606	1606	1657	2232	1742	1742	1632	2206	1716	1716	34.375	22.25		
H1F4224X24-750	C2036PS	6694	7269	6779	6779	6830	7405	6915	6915	6804	7379	6889	6889				
H1F4224X24-1270	C2036PS1-TW	7786	8361	7871	7871	7922	8497	8007	8007	7897	8472	7981	7981	40.375	22.25		
H1F4824X24	-	1593	2251	1686	1720	1737	2395	1830	1864	1711	2369	1805	1838				
H1F4824X24-750	C2042PS	6910	7568	7003	7037	7054	7712	7147	7181	7028	7686	7122	7155	40.375	22.25		
H1F4824X24-1270	C2042PS1-TW	8048	8706	8141	8175	8192	8850	8285	8319	8166	8824	8260	8293				

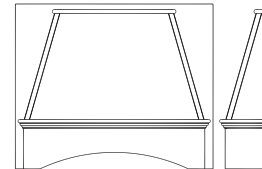
See pg W-98 for H1F specifications



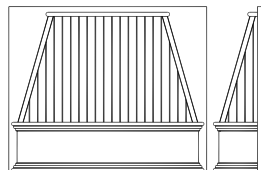
AA



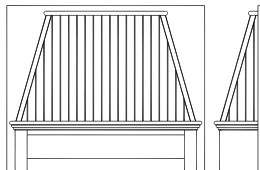
CA



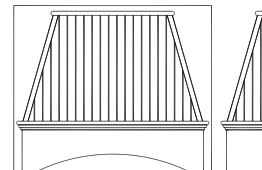
DA



AE



CE

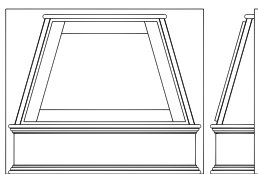


DE

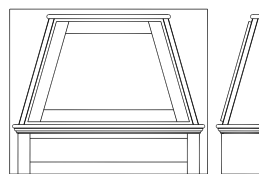
# Wall Cabinets – H1F Wood Hood Pricing

H1F Wood Hood	Powered Hood Liner Included	MSRP												Power Liner Size Needed		Filler Kit Req'd	
		AA	AD	AE	AF	CA	CD	CE	CF	DA	DD	DE	DF	W	D		
<b>30" H x 20" D</b>																	
H1F3030X20	-	1662	2405	1764	1789	1815	2558	1916	1942	1789	2532	1891	1916	25.375	18.125	HFK1212	
H1F3030X20-360	C2027SD2	3166	3909	3268	3294	3319	4062	3421	3446	3294	4036	3395	3421				
H1F3030X20-430	C2027SD4	3748	4491	3850	3875	3901	4644	4003	4028	3875	4618	3977	4003				
H1F3030X20-625	C2027BP1	5078	5821	5180	5205	5230	5973	5332	5358	5205	5948	5307	5332	28.375	18.125	HFK320	
H1F3630X20	-	1452	1935	1528	1537	1587	2071	1664	1672	1562	2045	1638	1647				
H1F3630X20-625	C2030BP1	4868	5351	4944	4952	5003	5487	5080	5088	4978	5461	5054	5063				
H1F3630X20-735	C2030BP	5570	6053	5646	5654	5705	6189	5782	5790	5680	6163	5756	5765				
H1F3630X20-430	C2030SD4	3538	4021	3614	3623	3674	4157	3750	3758	3648	4131	3724	3733				
H1F3630X20-360	C2030SD2	3263	3746	3339	3348	3399	3882	3475	3484	3373	3857	3450	3458				
H1F3630X20-NV	C2030SD2NV	3355	3838	3431	3439	3490	3974	3567	3575	3465	3948	3541	3550	34.375	18.125	HFK320	
H1F4230X20	-	1520	2067	1604	1647	1664	2212	1749	1791	1638	2186	1723	1766				
H1F4230X20-625	C2036BP1	5088	5636	5173	5215	5232	5780	5317	5359	5207	5755	5292	5334				
H1F4230X20-735	C2036BP	5799	6346	5883	5926	5943	6491	6028	6070	5917	6465	6002	6045				
H1F4230X20-1250	C2036BP1-TW	6195	6743	6280	6323	6340	6887	6424	6467	6314	6862	6399	6441				
H1F4230X20-430	C2036SD4	3713	4260	3797	3840	3857	4405	3942	3984	3831	4379	3916	3958				
H1F4230X20-360	C2036SD2	3429	3977	3514	3557	3573	4121	3658	3701	3548	4096	3633	3675	40.375	18.125	HFK320	
H1F4230X20-NV	C2036SD2NV	3499	4047	3584	3626	3643	4191	3728	3770	3618	4165	3702	3745				
H1F4830X20	-	1587	2200	1681	1715	1740	2352	1833	1867	1715	2327	1808	1842				
H1F4830X20-625	C2042BP1	5285	5897	5378	5412	5437	6050	5531	5565	5412	6024	5505	5539				
H1F4830X20-735	C2042BP	5995	6608	6089	6123	6148	6760	6241	6275	6123	6735	6216	6250				
H1F4830X20-1250	C2042BP1-TW	6401	7013	6494	6528	6553	7166	6647	6681	6528	7140	6621	6655				
H1F4830X20-430	C2042SD4	3887	4499	3981	4014	4040	4652	4133	4167	4014	4627	4108	4142	34.375	18.125	HFK320	
H1F4830X20-360	C2042SD2	3604	4216	3697	3731	3757	4369	3850	3884	3731	4343	3824	3858				
<b>30" H x 24" D</b>																	
H1F3630X24	-	1598	2200	1682	1682	1733	2335	1818	1818	1708	2310	1793	1793	28.375	22.25	HFK324	
H1F3630X24-750	C2030PS	6586	7188	6670	6670	6721	7323	6806	6806	6696	7298	6781	6781				
H1F4230X24	-	1671	2364	1764	1798	1815	2508	1908	1942	1789	2483	1883	1916	34.375	22.25		
H1F4230X24-750	C2036PS	6843	7537	6937	6971	6988	7681	7081	7115	6962	7656	7055	7089				
H1F4230X24-1270	C2036PS1-TW	7936	8629	8029	8063	8080	8773	8173	8207	8054	8748	8148	8182	40.375	22.25		
H1F4830X24	-	1688	2469	1789	1815	1840	2622	1942	1967	1815	2597	1916	1942				
H1F4830X24-750	C2042PS	7004	7786	7106	7132	7157	7939	7259	7284	7132	7914	7233	7259	34.375	22.25		
H1F4830X24-1270	C2042PS1-TW	8142	8924	8244	8270	8295	9077	8397	8422	8270	9052	8371	8397				

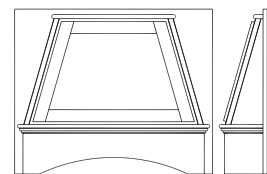
See pg W-98 for H1F specifications



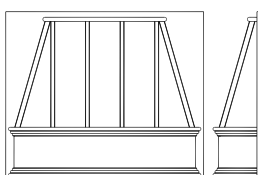
AD



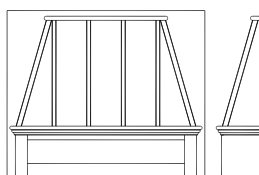
CD



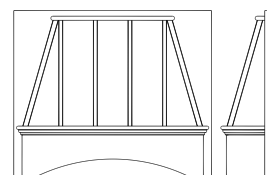
DD



AF



CF

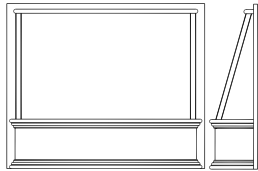


DF

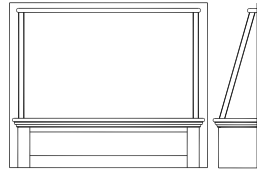
# Wall Cabinets – H2F Wood Hood Pricing

H2F Wood Hood	Powered Hood Liner Included	MSRP												Power Liner Size Needed		Filler Kit Req'd			
		AA	AD	AE	AF	CA	CD	CE	CF	DA	DD	DE	DF	W	D				
<b>24" H x 20" D</b>																			
H2F3024X20	-	1336	1626	1404	1421	1464	1754	1531	1548	1438	1728	1506	1523	25.375	18.125	HFK212			
H2F3024X20-360	C2027SD2	2841	3131	2909	2926	2968	3258	3036	3053	2943	3233	3010	3027						
H2F3024X20-430	C2027SD4	3423	3713	3490	3507	3550	3840	3618	3635	3524	3814	3592	3609						
H2F3024X20-625	C2027BP1	4752	5042	4820	4837	4879	5169	4947	4964	4854	5144	4922	4939	28.375	18.125				
H2F3624X20	-	1401	1749	1477	1486	1537	1884	1613	1621	1511	1859	1587	1596						
H2F3624X20-625	C2030BP1	4817	5164	4893	4901	4952	5300	5029	5037	4927	5275	5003	5012						
H2F3624X20-735	C2030BP	5519	5866	5595	5604	5654	6002	5731	5739	5629	5977	5705	5714						
H2F3624X20-430	C2030SD4	3487	3835	3563	3572	3623	3970	3699	3707	3597	3945	3674	3682						
H2F3624X20-360	C2030SD2	3212	3560	3289	3297	3348	3696	3424	3433	3322	3670	3399	3407						
H2F3624X20-NV	C2030SD2NV	3304	3651	3380	3389	3439	3787	3516	3524	3414	3762	3490	3499	34.375	18.125	HFK320			
H2F4224X20	-	1465	1871	1550	1593	1610	2015	1694	1737	1584	1989	1669	1711						
H2F4224X20-625	C2036BP1	5034	5439	5119	5161	5178	5583	5263	5305	5152	5558	5237	5280						
H2F4224X20-735	C2036BP	5744	6150	5829	5872	5889	6294	5973	6016	5863	6268	5948	5990						
H2F4224X20-1250	C2036BP1-TW	6141	6547	6226	6268	6285	6691	6370	6413	6260	6665	6345	6387						
H2F4224X20-430	C2036SD4	3658	4064	3743	3785	3802	4208	3887	3930	3777	4182	3862	3904						
H2F4224X20-360	C2036SD2	3375	3780	3460	3502	3519	3925	3604	3646	3494	3899	3579	3621						
H2F4224X20-NV	C2036SD2NV	3445	3850	3529	3572	3589	3994	3674	3716	3563	3969	3648	3690						
H2F4824X20	-	1528	1991	1621	1655	1681	2144	1774	1808	1655	2118	1740	1782				40.375	18.125	
H2F4824X20-625	C2042BP1	5225	5688	5319	5353	5378	5841	5471	5505	5353	5816	5437	5480						
H2F4824X20-735	C2042BP	5936	6399	6029	6063	6089	6552	6182	6216	6063	6526	6148	6190						
H2F4824X20-1250	C2042BP1-TW	6341	6804	6435	6469	6494	6957	6587	6621	6469	6932	6553	6596						
H2F4824X20-430	C2042SD4	3828	4291	3921	3955	3981	4444	4074	4108	3955	4418	4040	4082						
H2F4824X20-360	C2042SD2	3545	4008	3638	3672	3697	4160	3791	3824	3672	4135	3757	3799						
<b>24" H x 24" D</b>																			
H2F3624X24	-	1470	1866	1547	1555	1598	1993	1674	1682	1572	1967	1649	1657	28.375	22.25	HFK324			
H2F3624X24-750	C2030PS	6458	6854	6535	6543	6586	6981	6662	6670	6560	6955	6636	6645						
H2F4224X24	-	1540	2020	1625	1625	1676	2156	1760	1760	1650	2130	1735	1735	34.375	22.25				
H2F4224X24-750	C2036PS	6713	7193	6798	6798	6848	7328	6933	6933	6823	7303	6908	6908						
H2F4224X24-1270	C2036PS1-TW	7805	8285	7890	7890	7941	8421	8025	8025	7915	8395	8000	8000	40.375	22.25				
H2F4824X24	-	1611	2174	1704	1738	1755	2318	1849	1883	1730	2293	1823	1857						
H2F4824X24-750	C2042PS	6928	7491	7021	7055	7072	7635	7166	7200	7047	7610	7140	7174						
H2F4824X24-1270	C2042PS1-TW	8066	8629	8159	8193	8210	8773	8304	8338	8185	8748	8278	8312						

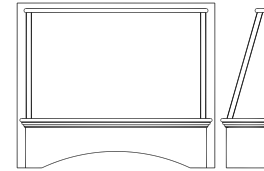
See pg W-99 for H2F specifications



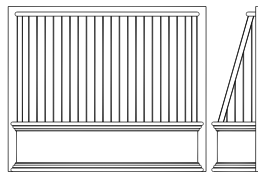
AA



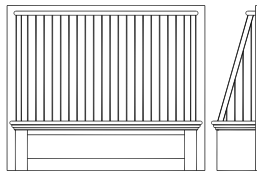
CA



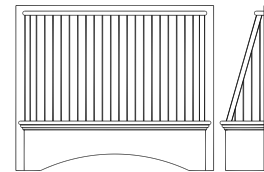
DA



AE



CE

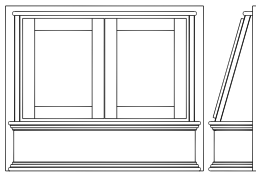


DE

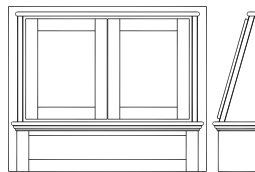
# Wall Cabinets – H2F Wood Hood Pricing

H2F Wood Hood	Powered Hood Liner Included	MSRP												Power Liner Size Needed		Filler Kit Req'd	
		AA	AD	AE	AF	CA	CD	CE	CF	DA	DD	DE	DF	W	D		
<b>30" H x 20" D</b>																	
H2F3030X20	-	1682	2330	1784	1810	1835	2483	1937	1962	1810	2458	1911	1937	25.375	18.125	HFK212	
H2F3030X20-360	C2027SD2	3187	3835	3289	3314	3339	3987	3441	3467	3314	3962	3416	3441				
H2F3030X20-430	C2027SD4	3769	4416	3870	3896	3921	4569	4023	4048	3896	4544	3997	4023				
H2F3030X20-625	C2027BP1	5098	5746	5200	5225	5251	5899	5353	5378	5225	5873	5327	5353	28.375	18.125	HFK212	
H2F3630X20	-	1470	1857	1547	1555	1606	1993	1682	1691	1581	1967	1657	1665				
H2F3630X20-625	C2030BP1	4886	5273	4962	4971	5022	5409	5098	5107	4996	5383	5073	5081				
H2F3630X20-735	C2030BP	5588	5975	5665	5673	5724	6111	5800	5809	5699	6085	5775	5783				
H2F3630X20-430	C2030SD4	3557	3943	3633	3641	3692	4079	3769	3777	3667	4053	3743	3752				
H2F3630X20-360	C2030SD2	3282	3668	3358	3367	3417	3804	3494	3502	3392	3779	3468	3477				
H2F3630X20-NV	C2030SD2NV	3373	3760	3450	3458	3509	3896	3585	3594	3484	3870	3560	3568	34.375	18.125	HFK320	
H2F4230X20	-	1538	1989	1623	1665	1682	2134	1767	1810	1657	2108	1742	1784				
H2F4230X20-625	C2036BP1	5107	5558	5191	5234	5251	5702	5336	5378	5225	5677	5310	5353				
H2F4230X20-735	C2036BP	5817	6268	5902	5944	5961	6413	6046	6089	5936	6387	6021	6063	34.375	18.125	HFK320	
H2F4230X20-1250	C2036BP1-TW	6214	6665	6299	6341	6358	6809	6443	6486	6333	6784	6418	6460				
H2F4230X20-430	C2036SD4	3731	4182	3816	3858	3875	4326	3960	4003	3850	4301	3935	3977				
H2F4230X20-360	C2036SD2	3448	3899	3533	3575	3592	4043	3677	3719	3567	4018	3651	3694				
H2F4230X20-NV	C2036SD2NV	3518	3969	3602	3645	3662	4113	3746	3789	3636	4087	3721	3763				
H2F4830X20	-	1606	2123	1699	1733	1759	2276	1852	1886	1733	2251	1827	1861				40.375
H2F4830X20-625	C2042BP1	5303	5821	5397	5431	5456	5973	5549	5583	5431	5948	5524	5558				
H2F4830X20-735	C2042BP	6014	6531	6107	6141	6167	6684	6260	6294	6141	6658	6234	6268				
H2F4830X20-1250	C2042BP1-TW	6419	6937	6513	6547	6572	7089	6665	6699	6547	7064	6640	6674				
H2F4830X20-430	C2042SD4	3906	4423	3999	4033	4059	4576	4152	4186	4033	4550	4126	4160				
H2F4830X20-360	C2042SD2	3623	4140	3716	3750	3775	4293	3869	3902	3750	4267	3843	3877				
<b>30" H x 24" D</b>																	
H2F3630X24	-	1618	2125	1703	1703	1754	2261	1838	1838	1728	2235	1813	1813	28.375	22.25	HFK324	
H2F3630X24-750	C2030PS	6606	7113	6691	6691	6742	7249	6826	6826	6716	7223	6801	6801				
H2F4230X24	-	1693	2290	1786	1820	1837	2434	1930	1964	1811	2408	1905	1939	34.375	22.25		
H2F4230X24-750	C2036PS	6865	7462	6959	6993	7010	7607	7103	7137	6984	7581	7077	7111				
H2F4230X24-1270	C2036PS1-TW	7958	8555	8051	8085	8102	8699	8195	8229	8076	8673	8170	8204	40.375	22.25		
H2F4830X24	-	1772	2459	1874	1900	1925	2612	2027	2052	1900	2586	2001	2027				
H2F4830X24-750	C2042PS	7089	7776	7191	7216	7242	7929	7344	7369	7216	7903	7318	7344				
H2F4830X24-1270	C2042PS1-TW	8227	8914	8329	8354	8380	9067	8482	8507	8354	9041	8456	8482				

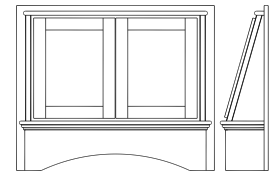
See pg W-99 for H2F specifications



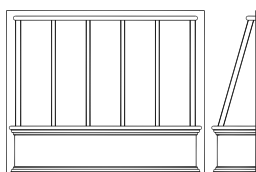
AD



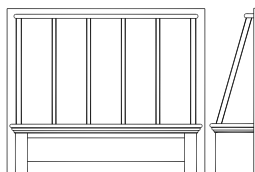
CD



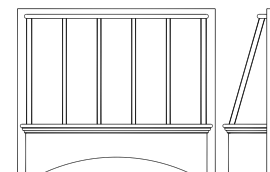
DD



AF



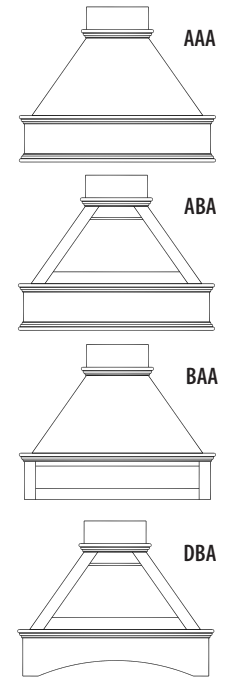
CF



DF

# Wall Cabinets – H1S / H1T and H2S Wood Hood Pricing

H1S / H1T Hoods	Overall Dimensions (includes moulding)			Powered Hood Liner Included	MSRP							Power Liner Size Needed	
	Valance W	Chimney W	D		AAA	ABA	BAA	BBA	CAA	DAA	DBA	W	D
<b>H1S (30" Short hood)</b>													
H1S3630X24	38	12	25	-	2483	3195	2561	3273	2637	2627	3338	34.375	22.25
H1S3630X24-750				C2036PS	7656	8368	7734	8446	7810	7800	8511		
H1S3630X24-1270				C2036PS1TW	8748	9460	8826	9538	8902	8892	9603		
H1S4230X24	44	18	25	-	3014	3845	3105	3936	3194	3182	4013	40.375	22.25
H1S4230X24-750				C2042PS	8331	9162	8422	9253	8511	8499	9330		
H1S4230X24-1270				C2042PS1TW	9469	10300	9560	10391	9649	9637	10468		
H1S4830X24	50	24	25	-	3546	4494	3650	4600	3752	3738	4688	46.375	22.25
H1S4830X24-750				C2048PS	8994	9942	9097	10047	9199	9186	10135		
H1S4830X24-1270				C2048PS1TW	10178	11126	10281	11231	10383	10369	11319		
<b>H1T (42" Tall hood)</b>													
H1T3642X24	38	12	25	-	3287	4284	3367	4364	3443	3431	4428	34.375	22.25
H1T3642X24-750				C2036PS	8460	9457	8539	9537	8616	8604	9601		
H1T3642X24-1270				C2036PS1TW	9552	10549	9632	10629	9708	9696	10693		
H1T4242X24	44	18	25	-	4072	5234	4164	5325	4252	4238	5402	40.375	22.25
H1T4242X24-750				C2042PS	9389	10551	9481	10642	9569	9555	10719		
H1T4242X24-1270				C2042PS1TW	10527	11689	10619	11780	10707	10693	11857		
H1T4842X24	50	24	25	-	4856	6184	4959	6289	5061	5047	6375	46.375	22.25
H1T4842X24-750				C2048PS	10303	11631	10407	11736	10508	10495	11823		
H1T4842X24-1270				C2048PS1TW	11487	12815	11590	12920	11692	11679	13007		



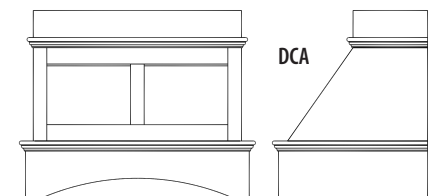
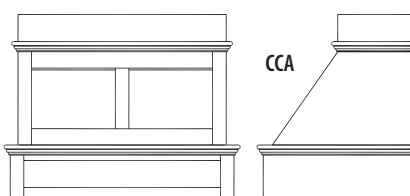
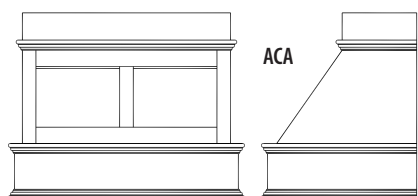
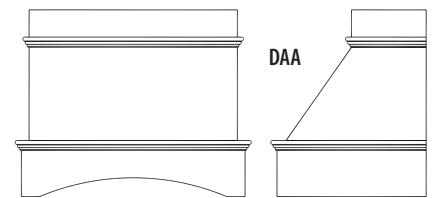
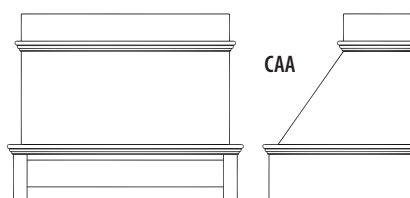
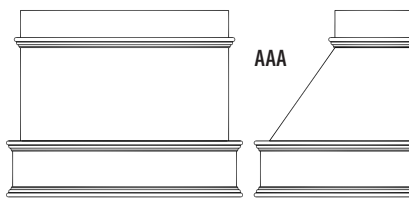
See pg W-100 for H1S / H1T specifications

H2S Wood Hoods	Overall Dimensions (includes moulding)			Powered Hood Liner Included	MSRP						Power Liner Size Needed	
	Valance W	Chimney W	D		AAA	ACA	CAA	CCA	DAA	DCA	W	D
<b>H2S (30" Short hood)</b>												
H2S3030X20	32	27-1/2	20-7/8	-	1964	2167	2071	2274	2064	2268	28.375	18.125
H2S3030X20-625				C2030BP1	5380	5583	5487	5690	5480	5683		
H2S3030X20-735				C2030BP	6082	6285	6189	6392	6182	6385		
H2S3030X20-430				C2030SD4	4050	4254	4157	4360	4150	4354		
H2S3030X20-360				C2030SD2	3775	3979	3882	4086	3875	4079		
H2S3030X20-NV				C2030SD2NV	3867	4070	3974	4177	3967	4170		
H2S3630X20	38	33-1/2	20-7/8	-	2356	2600	2485	2729	2476	2720	34.375	18.125
H2S3630X20-625				C2036BP1	5924	6168	6053	6297	6045	6289		
H2S3630X20-735				C2036BP	6635	6879	6764	7008	6755	6999		
H2S3630X20-1250				C2036BP1TW	7032	7276	7161	7405	7152	7396		
H2S3630X20-430				C2036SD4	4549	4793	4678	4922	4669	4913		
H2S3630X20-360				C2036SD2	4265	4510	4394	4639	4386	4630		
H2S3630X20-NV	C2036SD2NV	4335	4579	4464	4708	4455	4700					
H2S4230X20	44	39-1/2	20-7/8	-	2749	3034	2900	3185	2890	3173	40.375	18.125
H2S4230X20-625				C2042BP1	6446	6731	6597	6882	6587	6870		
H2S4230X20-735				C2042BP	7157	7442	7308	7593	7298	7581		
H2S4230X20-1250				C2042BP1TW	7562	7847	7713	7998	7703	7986		
H2S4230X20-430				C2042SD4	5049	5334	5200	5485	5190	5473		
H2S4230X20-360				C2042SD2	4766	5051	4917	5202	4907	5190		
H2S4830X20	50	45-1/2	20-7/8	-	3143	3468	3314	3640	3302	3628	46.375	18.125
H2S4830X20-735				C2048BP	7803	8129	7975	8300	7963	8288		
H2S4830X20-1250				C2048BP1TW	8176	8502	8348	8673	8336	8661		
H2S4830X20-430				C2048SD4	5656	5982	5827	6153	5816	6141		
H2S3030X24	32	27-1/2	25	-	2222	2466	2351	2595	2342	2586	28.375	22.25
H2S3030X24-750				C2030PS	7210	7454	7339	7583	7330	7574		
H2S3630X24	38	33-1/2	25	-	2666	2960	2820	3114	2810	3104	34.375	22.25
H2S3630X24-750				C2036PS	7839	8132	7993	8287	7983	8276		
H2S3630X24-1270				C2036PS1TW	8931	9225	9085	9379	9075	9369		
H2S4230X24	44	39-1/2	25	-	3110	3453	3290	3633	3278	3621	40.375	22.25
H2S4230X24-750				C2042PS	8427	8770	8607	8950	8595	8938		
H2S4230X24-1270				C2042PS1TW	9565	9908	9745	10088	9733	10076		
H2S4830X24	50	45-1/2	25	-	3555	3947	3762	4152	3746	4138	46.375	22.25
H2S4830X24-750				C2048PS	9002	9394	9209	9599	9194	9586		
H2S4830X24-1270				C2048PS1TW	10186	10578	10393	10783	10378	10770		

# Wall Cabinets – H2T Wood Hood Pricing

H2T Wood Hoods	Overall Dimensions (includes moulding)			Powered Hood Liner Included	MSRP						Power Liner Size Needed	
	Valance W	Chimney W	D		AAA	ACA	CAA	CCA	DAA	DCA	W	D
<b>H2T (42" Tall hood)</b>												
H2T3042X20	32	27-1/2	20-7/8	-	2714	2999	2820	3105	2814	3099	28.375	18.125
H2T3042X20-625				C2030BP1	6129	6414	6236	6521	6229	6514		
H2T3042X20-735				C2030BP	6831	7116	6938	7223	6932	7216		
H2T3042X20-430				C2030SD4	4800	5085	4907	5191	4900	5185		
H2T3042X20-360				C2030SD2	4525	4810	4632	4917	4625	4910		
H2T3042X20-NV				C2030SD2NV	4617	4901	4723	5008	4717	5002		
H2T3642X20	38	33-1/2	20-7/8	-	3256	3597	3385	3726	3375	3718	34.375	18.125
H2T3642X20-625				C2036BP1	6825	7166	6954	7294	6943	7286		
H2T3642X20-735				C2036BP	7535	7876	7664	8005	7654	7997		
H2T3642X20-1250				C2036BP1TW	7932	8273	8061	8402	8051	8394		
H2T3642X20-430				C2036SD4	5449	5790	5578	5919	5568	5911		
H2T3642X20-360				C2036SD2	5166	5507	5295	5636	5285	5627		
H2T3642X20-NV	C2036SD2NV	5236	5576	5364	5705	5354	5697					
H2T4242X20	44	39-1/2	20-7/8	-	3799	4198	3948	4347	3938	4337	40.375	18.125
H2T4242X20-625				C2042BP1	7496	7895	7646	8044	7635	8034		
H2T4242X20-735				C2042BP	8207	8606	8356	8755	8346	8745		
H2T4242X20-1250				C2042BP1TW	8612	9011	8762	9160	8751	9150		
H2T4242X20-430				C2042SD4	6099	6497	6248	6647	6238	6636		
H2T4242X20-360				C2042SD2	5816	6214	5965	6363	5955	6353		
H2T4842X20	50	45-1/2	20-7/8	-	4342	4796	4513	4969	4501	4957	46.375	18.125
H2T4842X20-735				C2048BP	9002	9457	9174	9630	9162	9618		
H2T4842X20-1250				C2048BP1TW	9375	9830	9547	10003	9535	9991		
H2T4842X20-430				C2048SD4	6855	7310	7027	7483	7015	7471		
H2T3042X24	32	27-1/2	25	-	3019	3361	3148	3490	3139	3480	28.375	22.25
H2T3042X24-750				C2030PS	8007	8349	8136	8478	8127	8468		
H2T3642X24	38	33-1/2	25	-	3623	4033	3777	4187	3767	4177	34.375	22.25
H2T3642X24-750				C2036PS	8795	9206	8950	9360	8940	9350		
H2T3642X24-1270				C2036PS1TW	9888	10298	10042	10452	10032	10442		
H2T4242X24	44	39-1/2	25	-	4226	4705	4406	4886	4394	4873	40.375	22.25
H2T4242X24-750				C2042PS	9543	10022	9723	10203	9711	10190		
H2T4242X24-1270				C2042PS1TW	10681	11160	10861	11341	10849	11328		
H2T4842X24	50	45-1/2	25	-	4830	5378	5037	5583	5022	5570	46.375	22.25
H2T4842X24-750				C2048PS	10278	10826	10485	11031	10469	11017		
H2T4842X24-1270				C2048PS1TW	11462	12009	11668	12215	11653	12201		

**H2S pricing at left | See pg W-101 for H2S / H2T specifications**

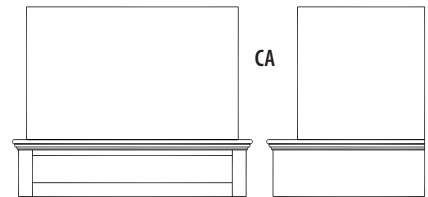
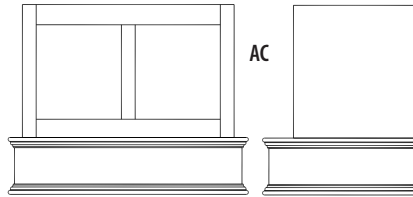
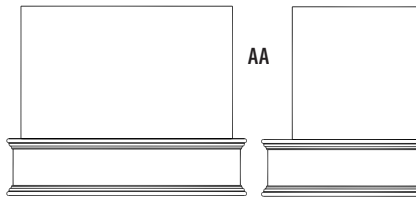




# Wall Cabinets – H3S Wood Hood Pricing

H3S Wood Hoods	Overall Dimensions (includes moulding)			Powered Hood Liner Included	MSRP						Power Liner Size Needed	
	Valance W	Chimney W	D		AA	AC	CA	CC	DA	DC	W	D
<b>H3S (30" Short hood)</b>												
H3S3030X20	32	27-1/2	20-7/8	-	1650	1884	1757	1991	1750	1984	28.375	18.125
H3S3030X20-625				C2030BP1	5066	5300	5173	5407	5166	5400		
H3S3030X20-735				C2030BP	5768	6002	5875	6109	5868	6102		
H3S3030X20-430				C2030SD4	3736	3970	3843	4077	3836	4070		
H3S3030X20-360				C2030SD2	3462	3696	3568	3802	3562	3796		
H3S3030X20-NV				C2030SD2NV	3553	3787	3660	3894	3653	3887		
H3S3630X20	38	33-1/2	20-7/8	-	1981	2261	2110	2390	2100	2379	34.375	18.125
H3S3630X20-625				C2036BP1	5397	5677	5526	5805	5515	5795		
H3S3630X20-735				C2036BP	6260	6540	6389	6669	6379	6658		
H3S3630X20-1250				C2036BP1-TW	6657	6937	6786	7066	6776	7055		
H3S3630X20-430				C2036SD4	4174	4454	4303	4583	4293	4572		
H3S3630X20-360				C2036SD2	3891	4170	4020	4299	4009	4289		
H3S3630X20-NV	C2036SD2NV	3960	4240	4089	4369	4079	4359					
H3S4230X20	44	39-1/2	20-7/8	-	2310	2637	2461	2788	2451	2776	40.375	18.125
H3S4230X20-625				C2042BP1	6007	6335	6158	6486	6148	6474		
H3S4230X20-735				C2042BP	6718	7045	6869	7196	6859	7184		
H3S4230X20-1250				C2042BP1TW	7123	7451	7274	7601	7264	7590		
H3S4230X20-430				C2042SD4	4610	4937	4761	5088	4750	5076		
H3S4230X20-360				C2042SD2	4326	4654	4477	4805	4467	4793		
H3S4830X20	50	45-1/2	20-7/8	-	2641	3014	2812	3185	2800	3173	46.375	18.125
H3S4830X20-735				C2048BP	7301	7674	7473	7846	7461	7834		
H3S4830X20-1250				C2048BP1TW	7674	8048	7846	8219	7834	8207		
H3S4830X20-430				C2048SD4	5154	5527	5325	5699	5314	5687		
H3S3030X24	32	27-1/2	25	-	1966	2259	2095	2388	2086	2379	28.375	22.25
H3S3030X24-750				C2030PS	6954	7247	7082	7376	7074	7367		
H3S3630X24	38	33-1/2	25	-	2359	2712	2513	2866	2503	2856	34.375	22.25
H3S3630X24-750				C2036PS	7532	7885	7686	8039	7676	8029		
H3S3630X24-1270				C2036PS1TW	8624	8977	8778	9131	8768	9121		
H3S4230X24	44	39-1/2	25	-	2753	3163	2932	3343	2921	3331	40.375	22.25
H3S4230X24-750				C2042PS	8070	8480	8249	8660	8237	8648		
H3S4230X24-1270				C2042PS1TW	9208	9618	9387	9798	9375	9786		
H3S4830X24	50	45-1/2	25	-	3146	3616	3351	3821	3338	3808	46.375	22.25
H3S4830X24-750				C2048PS	8594	9063	8799	9269	8785	9255		
H3S4830X24-1270				C2048PS1TW	9777	10247	9983	10452	9969	10439		

See pg W-102 for H3S / H3T specifications

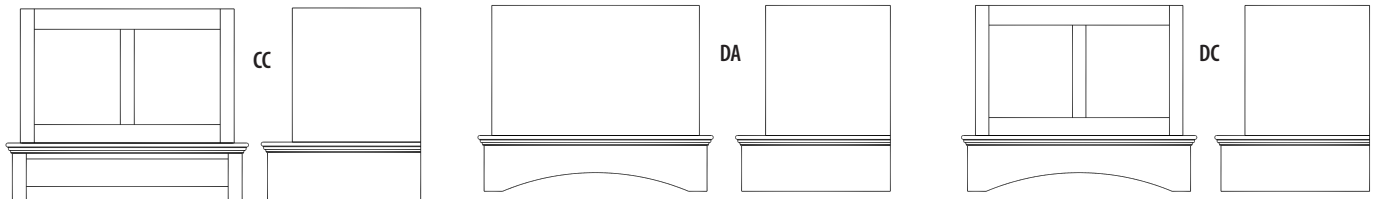




# Wall Cabinets – H3T Wood Hood Pricing

H3T Wood Hoods	Overall Dimensions (includes moulding)			Powered Hood Liner Included	MSRP						Power Liner Size Needed	
	Valance W	Chimney W	D		AA	AC	CA	CC	DA	DC	W	D
<b>H3T (42" Tall hood)</b>												
H3T3042X20	32	27-1/2	20-7/8	-	2151	2517	2257	2624	2251	2617	28.375	18.125
H3T3042X20-625				C2030BP1	5566	5933	5673	6039	5666	6033		
H3T3042X20-735				C2030BP	6268	6635	6375	6742	6368	6735		
H3T3042X20-430				C2030SD4	4237	4603	4343	4710	4337	4703		
H3T3042X20-360				C2030SD2	3962	4328	4069	4435	4062	4428		
H3T3042X20-NV				C2030SD2NV	4053	4420	4160	4527	4154	4520		
H3T3642X20	38	33-1/2	20-7/8	-	2580	3021	2709	3149	2700	3139	34.375	18.125
H3T3642X20-625				C2036BP1	5995	6436	6124	6565	6116	6555		
H3T3642X20-735				C2036BP	6859	7300	6988	7428	6979	7418		
H3T3642X20-1250				C2036BP1-TW	7255	7696	7384	7825	7376	7815		
H3T3642X20-430				C2036SD4	4773	5214	4901	5342	4893	5332		
H3T3642X20-360				C2036SD2	4489	4930	4618	5059	4610	5049		
H3T3642X20-NV	C2036SD2NV	4559	5000	4688	5129	4679	5119					
H3T4242X20	44	39-1/2	20-7/8	-	3010	3524	3161	3674	3149	3663	40.375	18.125
H3T4242X20-625				C2042BP1	6708	7222	6859	7371	6847	7361		
H3T4242X20-735				C2042BP	7418	7932	7569	8081	7557	8071		
H3T4242X20-1250				C2042BP1TW	7824	8338	7975	8487	7963	8477		
H3T4242X20-430				C2042SD4	5310	5824	5461	5973	5449	5963		
H3T4242X20-360				C2042SD2	5027	5541	5178	5690	5166	5680		
H3T4842X20	50	45-1/2	20-7/8	-	3441	4026	3612	4199	3601	4187	46.375	18.125
H3T4842X20-735				C2048BP	8102	8687	8273	8860	8261	8848		
H3T4842X20-1250				C2048BP1TW	8475	9060	8646	9233	8634	9221		
H3T4842X20-430				C2048SD4	5955	6540	6126	6713	6114	6701		
H3T3042X24	32	27-1/2	25	-	2568	3027	2695	3156	2686	3148	28.375	22.25
H3T3042X24-750				C2030PS	7741	8200	7868	8329	7859	8321		
H3T3042X24-1270				C2030PS1TW	8833	9292	8960	9421	8951	9413		
H3T3642X24	38	33-1/2	25	-	3080	3633	3234	3789	3224	3777	34.375	22.25
H3T3642X24-750				C2036PS	8253	8806	8407	8962	8397	8950		
H3T3642X24-1270	C2036PS1TW	9345	9898	9499	10054	9489	10042					
H3T4242X24	44	39-1/2	25	-	3594	4240	3774	4420	3762	4406	40.375	22.25
H3T4242X24-750				C2042PS	8911	9557	9091	9737	9079	9723		
H3T4242X24-1270				C2042PS1TW	10049	10695	10229	10875	10217	10861		
H3T4842X24	50	45-1/2	25	-	4108	4845	4313	5051	4299	5037	46.375	22.25
H3T4842X24-750				C2048PS	9555	10293	9760	10498	9747	10485		
H3T4842X24-1270				C2048PS1TW	10739	11477	10944	11682	10931	11668		

See pg W-102 for H3S / H3T specifications

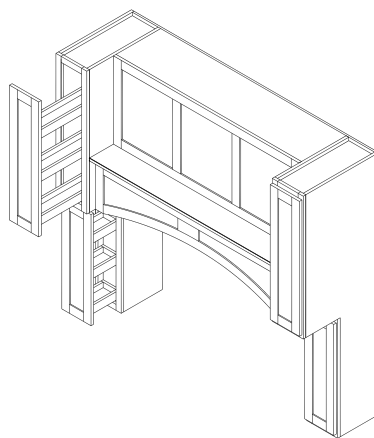


# Wall Cabinets – HMA Hood Mantel Pricing

Hood Mantel A	Powered Hood Liner Included	C0 C1 C2	C4	C4A	C5	C7	C7A	C9	C9A	C10	C10A	C11	C12	C12A	C13	C13A	C14	C15	C16
<b>60" H</b>																			
HMA6060	-	-	10067	10237	11139	9764	9920	9818	9974	10095	10257	9995	12070	10352	10352	10529	10763	10781	11577
HMA6060-360	C2042SD2	-	12084	12254	13156	11780	11936	11835	11991	12111	12274	12011	14087	12369	12369	12545	12779	12798	13593
HMA6060-625	C2042BP1	-	13765	13934	14837	13461	13617	13515	13671	13792	13955	13692	15768	14050	14050	14226	14460	14479	15274
HMA6060-735	C2042BP	-	14475	14645	15547	14172	14328	14226	14382	14502	14665	14402	16478	14760	14760	14937	15171	15189	15985
<b>66" H</b>																			
HMA6066	-	-	10442	10612	11731	10157	10317	10212	10371	10653	10815	10412	12632	10917	10917	11094	11339	11326	12201
HMA6066-360	C2042SD2	-	12459	12628	13748	12174	12333	12228	12388	12669	12832	12428	14648	12934	12934	13110	13356	13342	14218
HMA6066-625	C2042BP1	-	14140	14309	15429	13855	14014	13909	14068	14350	14513	14109	16329	14614	14614	14791	15037	15023	15898
HMA6066-735	C2042BP	-	10442	10612	11731	10157	10317	10212	10371	10653	10815	10412	12632	10917	10917	11094	11339	11326	12201
HMA6666	-	-	11209	11378	12488	10924	11083	10978	11138	11412	11575	11175	11511	11677	11677	11853	12098	12081	12952
HMA6666-735	C2048BP	-	15869	16039	17148	15585	15744	15639	15798	16073	16236	15836	16171	16338	16338	16514	16758	16741	17613
HMA7266	-	-	11506	11675	12846	11224	11384	11278	11438	11750	11913	11495	11848	12014	12014	12191	12445	12452	13341
HMA7266-1250	C2054BP1TW	-	17208	17377	18547	16926	17086	16980	17140	17452	17615	17197	17550	17716	17716	17893	18147	18154	19043
HMA8466	-	-	12657	12869	14328	12327	12527	12394	12594	12957	13161	12664	13081	13290	13290	13510	13827	13855	14943
HMA8466-1250	C2066BP1TW	-	20274	20486	21945	19943	20143	20011	20211	20574	20778	20281	20698	20907	20907	21127	21444	21471	22560
HMA9066	-	-	11901	12070	13424	11616	11775	11670	11830	12267	12430	11948	12366	12532	12532	12708	12993	13058	14011
HMA9066-1250*	C2072BP1TW	-	20930	21100	22453	20645	20805	20700	20859	21297	21459	20978	21395	21561	21561	21738	22023	22087	23040
<b>72" H</b>																			
HMA6072	-	-	11122	11295	12347	10883	11043	10938	11100	11285	11451	11114	11380	11550	11550	11730	11964	11972	12778
HMA6072-360	C2042SD2	-	13139	13312	14363	12900	13059	12954	13117	13302	13468	13130	13397	13566	13566	13746	13980	13989	14794
HMA6072-625	C2042BP1	-	14820	14993	16044	14581	14740	14635	14798	14982	15149	14811	15077	15247	15247	15427	15661	15669	16475
HMA6072-735	C2042BP	-	15530	15703	16755	15291	15451	15345	15508	15693	15859	15522	15788	15958	15958	16137	16371	16380	17186

\* Order two FLANGE7500

See pg W-103 for Hood Mantel A specifications

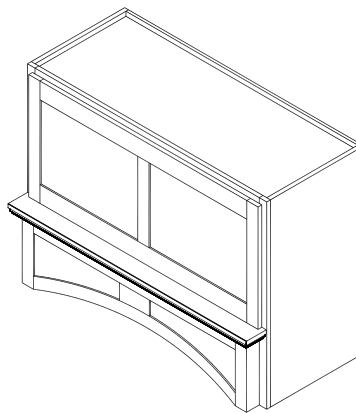


# Wall Cabinets – HMB Hood Mantel Pricing

Hood Mantel B	Powered Hood Liner Included	C0 C1 C2	C4	C4A	C5	C7	C7A	C9	C9A	C10	C10A	C11	C12	C12A	C13	C13A	C14	C15	C16
<b>30" H</b>																			
HMB3030	-	-	6606	6606	6809	6513	6513	6513	6513	6708	6665	6614	6708	6708	6708	6708	6759	6818	6962
HMB3030-360	C2030SD2	-	8417	8417	8621	8324	8324	8324	8324	8519	8477	8426	8519	8519	8519	8519	8570	8629	8773
HMB3030-625	C2030BP1	-	10022	10022	10225	9928	9928	9928	9928	10123	10081	10030	10123	10123	10123	10123	10174	10234	10378
HMB3030-735	C2030BP	-	10724	10724	10927	10631	10631	10631	10631	10826	10783	10732	10826	10826	10826	10826	10876	10936	11080
HMB3630	-	-	6699	6699	6943	6596	6596	6596	6596	6821	6779	6718	6821	6821	6821	6821	6882	6962	7127
HMB3630-360	C2036SD2	-	8609	8609	8853	8505	8505	8505	8505	8731	8689	8628	8731	8731	8731	8731	8792	8872	9036
HMB3630-625	C2036BP1	-	10268	10268	10512	10164	10164	10164	10164	10390	10347	10286	10390	10390	10390	10390	10451	10530	10695
HMB3630-735	C2036BP	-	10978	10978	11222	10875	10875	10875	10875	11100	11058	10997	11100	11100	11100	11100	11161	11241	11406
HMB3630-1250	C2036BP1TW	-	11375	11375	11619	11272	11272	11272	11272	11497	11455	11394	11497	11497	11497	11497	11558	11638	11802
HMB4230	-	-	6845	6845	7130	6752	6752	6752	6752	6988	6988	6894	6988	6988	6988	6988	7059	7179	7344
HMB4230-360	C2042SD2	-	8862	8862	9147	8768	8768	8768	8768	9004	9004	8911	9004	9004	9004	9004	9075	9196	9360
HMB4230-625	C2042BP1	-	10542	10542	10827	10449	10449	10449	10449	10685	10685	10592	10685	10685	10685	10685	10756	10876	11041
HMB4230-735	C2042BP	-	11253	11253	11538	11160	11160	11160	11160	11395	11395	11302	11395	11395	11395	11395	11467	11587	11752
HMB4230-1250	C2042BP1TW	-	11658	11658	11943	11565	11565	11565	11565	11801	11801	11707	11801	11801	11801	11801	11872	11992	12157
HMB4830	-	-	7025	7025	7350	6872	6872	6872	6872	7188	7188	7035	7188	7188	7188	7188	7269	7361	7595
HMB4830-735	C2048BP	-	11685	11685	12011	11533	11533	11533	11533	11848	11848	11696	11848	11848	11848	11848	11930	12021	12255
HMB4830-1250	C2048BP1TW	-	12059	12059	12384	11906	11906	11906	11906	12221	12221	12069	12221	12221	12221	12221	12303	12394	12628
HMB5430	-	-	7296	7296	7663	7137	7137	7137	7137	7479	7479	7320	7479	7479	7479	7479	7571	7686	7937
HMB5430-1250	C2054BP1TW	-	12998	12998	13364	12839	12839	12839	12839	13181	13181	13022	13181	13181	13181	13181	13273	13388	13639
HMB6030	-	-	7432	7432	7839	7262	7262	7262	7262	7635	7635	7466	7635	7635	7635	7635	7737	7873	8144
HMB6030-1250	C2060BP1TW	-	13866	13866	14274	13697	13697	13697	13697	14070	14070	13900	14070	14070	14070	14070	14172	14307	14579
HMB6630	-	-	7549	7549	7997	7374	7374	7374	7374	7773	7773	7598	7773	7773	7773	7773	7885	8046	8332
HMB6630-1250	C2066BP1TW	-	15166	15166	15613	14991	14991	14991	14991	15390	15390	15215	15390	15390	15390	15390	15501	15663	15949

See next page for 36" H and 42" H pricing

**See pg W-104 for Hood Mantel B specifications**



# Wall Cabinets – HMB Hood Mantel Pricing

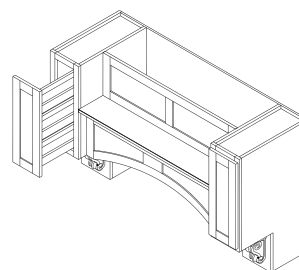
Hood Mantel B	Powered Hood Liner Included	C0 C1 C2	C4	C4A	C5	C7	C7A	C9	C9A	C10	C10A	C11	C12	C12A	C13	C13A	C14	C15	C16
<b>36" H</b>																			
HMB3036	-	-	6674	6674	6979	6631	6631	6631	6631	6877	6835	6733	6877	6877	6877	6877	6928	6988	7132
HMB3036-360	C2030SD2	-	8485	8485	8790	8443	8443	8443	8443	8689	8646	8544	8689	8689	8689	8689	8739	8799	8943
HMB3036-625	C2030BP1	-	10090	10090	10395	10047	10047	10047	10047	10293	10251	10149	10293	10293	10293	10293	10344	10403	10547
HMB3036-735	C2030BP	-	10792	10792	11097	10749	10749	10749	10749	10995	10953	10851	10995	10995	10995	10995	11046	11105	11250
HMB3636	-	-	6779	6779	7145	6737	6737	6737	6737	7023	6981	6859	7023	7023	7023	7023	7084	7164	7328
HMB3636-360	C2036SD2	-	8590	8590	8957	8548	8548	8548	8548	8834	8792	8670	8834	8834	8834	8834	8896	8975	9140
HMB3636-625	C2036BP1	-	10347	10347	10714	10305	10305	10305	10305	10592	10549	10427	10592	10592	10592	10592	10653	10732	10897
HMB3636-735	C2036BP	-	11058	11058	11424	11016	11016	11016	11016	11302	11260	11138	11302	11302	11302	11302	11363	11443	11607
HMB3636-1250	C2036BP1TW	-	11455	11455	11821	11412	11412	11412	11412	11699	11657	11534	11699	11699	11699	11699	11760	11840	12004
HMB4236	-	-	6940	6940	7367	6918	6918	6918	6918	7225	7225	7060	7225	7225	7225	7225	7296	7417	7581
HMB4236-360	C2042SD2	-	8957	8957	9384	8935	8935	8935	8935	9242	9242	9077	9242	9242	9242	9242	9313	9433	9598
HMB4236-625	C2042BP1	-	10637	10637	11065	10615	10615	10615	10615	10922	10922	10758	10922	10922	10922	10922	10993	11114	11278
HMB4236-735	C2042BP	-	11348	11348	11775	11326	11326	11326	11326	11633	11633	11468	11633	11633	11633	11633	11704	11825	11989
HMB4236-1250	C2042BP1TW	-	11753	11753	12181	11731	11731	11731	11731	12038	12038	11874	12038	12038	12038	12038	12109	12230	12394
HMB4836	-	-	7132	7132	7620	7060	7060	7060	7060	7457	7457	7223	7457	7457	7457	7457	7539	7630	7864
HMB4836-735	C2048BP	-	11792	11792	12281	11721	11721	11721	11721	12118	12118	11884	12118	12118	12118	12118	12199	12291	12525
HMB4836-1250	C2048BP1TW	-	12165	12165	12654	12094	12094	12094	12094	12491	12491	12257	12491	12491	12491	12491	12572	12664	12898
HMB5436	-	-	7425	7425	7975	7357	7357	7357	7357	7791	7791	7540	7791	7791	7791	7791	7883	7998	8249
HMB5436-1250	C2054BP1TW	-	13127	13127	13677	13059	13059	13059	13059	13493	13493	13242	13493	13493	13493	13493	13585	13700	13951
HMB6036	-	-	7568	7568	8178	7500	7500	7500	7500	7975	7975	7703	7975	7975	7975	7975	8076	8212	8483
HMB6036-1250	C2060BP1TW	-	14002	14002	14613	13934	13934	13934	13934	14409	14409	14138	14409	14409	14409	14409	14511	14647	14918
HMB6636	-	-	7698	7698	8370	7635	7635	7635	7635	8146	8146	7859	8146	8146	8146	8146	8258	8419	8706
HMB6636-1250	C2066BP1TW	-	15315	15315	15986	15252	15252	15252	15252	15763	15763	15476	15763	15763	15763	15763	15875	16036	16322
<b>42" H</b>																			
HMB3042	-	-	6825	6825	7181	6782	6782	6782	6782	7028	6986	6884	7028	7028	7028	7028	7130	7240	7435
HMB3042-360	C2030SD2	-	8636	8636	8992	8594	8594	8594	8594	8840	8797	8695	8840	8840	8840	8840	8941	9052	9247
HMB3042-625	C2030BP1	-	10240	10240	10597	10198	10198	10198	10198	10444	10402	10300	10444	10444	10444	10444	10546	10656	10851
HMB3042-735	C2030BP	-	10943	10943	11299	10900	10900	10900	10900	11146	11104	11002	11146	11146	11146	11146	11248	11358	11553
HMB3642	-	-	6954	6954	7381	6911	6911	6911	6911	7198	7155	7033	7198	7198	7198	7198	7320	7461	7686
HMB3642-360	C2036SD2	-	8863	8863	9291	8821	8821	8821	8821	9108	9065	8943	9108	9108	9108	9108	9230	9370	9596
HMB3642-625	C2036BP1	-	10522	10522	10949	10480	10480	10480	10480	10766	10724	10602	10766	10766	10766	10766	10888	11029	11255
HMB3642-735	C2036BP	-	11233	11233	11660	11190	11190	11190	11190	11477	11434	11312	11477	11477	11477	11477	11599	11740	11965
HMB3642-1250	C2036BP1TW	-	11629	11629	12057	11587	11587	11587	11587	11874	11831	11709	11874	11874	11874	11874	11996	12137	12362
HMB4242	-	-	7140	7140	7639	7118	7118	7118	7118	7425	7425	7261	7425	7425	7425	7425	7568	7759	7995
HMB4242-360	C2042SD2	-	9157	9157	9655	9135	9135	9135	9135	9442	9442	9277	9442	9442	9442	9442	9584	9776	10011
HMB4242-625	C2042BP1	-	10837	10837	11336	10815	10815	10815	10815	11122	11122	10958	11122	11122	11122	11122	11265	11456	11692
HMB4242-735	C2042BP	-	11548	11548	12047	11526	11526	11526	11526	11833	11833	11668	11833	11833	11833	11833	11975	12167	12403
HMB4242-1250	C2042BP1TW	-	11953	11953	12452	11931	11931	11931	11931	12238	12238	12074	12238	12238	12238	12238	12381	12572	12808
HMB4842	-	-	7366	7366	7936	7294	7294	7294	7294	7691	7691	7457	7691	7691	7691	7691	7854	8027	8343
HMB4842-735	C2048BP	-	12026	12026	12596	11955	11955	11955	11955	12352	12352	12118	12352	12352	12352	12352	12515	12688	13003
HMB4842-1250	C2048BP1TW	-	12399	12399	12969	12328	12328	12328	12328	12725	12725	12491	12725	12725	12725	12725	12888	13061	13376
HMB5442	-	-	7696	7696	8338	7629	7629	7629	7629	8063	8063	7812	8063	8063	8063	8063	8246	8453	8795
HMB5442-1250	C2054BP1TW	-	13398	13398	14039	13331	13331	13331	13331	13765	13765	13514	13765	13765	13765	13765	13948	14155	14497
HMB6042	-	-	7869	7869	8582	7802	7802	7802	7802	8276	8276	8005	8276	8276	8276	8276	8480	8717	9091
HMB6042-1250	C2060BP1TW	-	14304	14304	15016	14236	14236	14236	14236	14711	14711	14440	14711	14711	14711	14711	14915	15152	15525
HMB6642	-	-	8024	8024	8807	7961	7961	7961	7961	8472	8472	8185	8472	8472	8472	8472	8695	8968	9367
HMB6642-1250	C2066BP1TW	-	15641	15641	16424	15578	15578	15578	15578	16088	16088	15802	16088	16088	16088	16088	16312	16585	16984

See pg W-104 for Hood Mantel B specifications

# Wall Cabinets – HMC Hood Mantel Pricing

Hood Mantel C	Powered Hood Liner Included	C0 C1 C2	C4	C4A	C5	C7	C7A	C9	C9A	C10	C10A	C11	C12	C12A	C13	C13A	C14	C15	C16
<b>36" H</b>																			
HMC4836	-	-	9789	9874	10183	9537	9615	9564	9642	9732	9813	9581	9779	9861	9861	9949	10030	9832	10295
HMC4836-360	C2030SD2	-	11601	11685	11994	11348	11426	11375	11453	11543	11624	11392	11590	11672	11672	11760	11841	11643	12106
HMC4836-625	C2030BP1	-	13205	13290	13599	12952	13030	12979	13058	13147	13229	12996	13195	13276	13276	13364	13446	13247	13710
HMC4836-735	C2030BP	-	13907	13992	14301	13654	13733	13682	13760	13850	13931	13699	13897	13978	13978	14067	14148	13950	14413
HMC5436	-	-	9891	9976	10285	9618	9696	9645	9723	9833	9915	9662	9881	9962	9962	10050	10132	9913	10396
HMC5436-360	C2036SD2	-	11801	11886	12194	11528	11606	11555	11633	11743	11825	11572	11791	11872	11872	11960	12042	11823	12306
HMC5436-625	C2036BP1	-	13459	13544	13853	13186	13264	13214	13292	13402	13483	13230	13449	13531	13531	13619	13700	13482	13965
HMC5436-735	C2036BP	-	14170	14255	14564	13897	13975	13924	14002	14112	14194	13941	14160	14241	14241	14330	14411	14192	14675
HMC5436-1250	C2036BP1TW	-	14567	14652	14960	14294	14372	14321	14399	14509	14591	14338	14557	14638	14638	14726	14808	14589	15072
HMC6036	-	-	10006	10091	10400	9733	9811	9760	9838	9949	10030	9777	9996	10078	10078	10166	10247	10028	10512
HMC6036-360	C2042SD2	-	12023	12108	12416	11750	11828	11777	11855	11965	12047	11794	12013	12094	12094	12182	12264	12045	12528
HMC6036-625	C2042BP1	-	13704	13788	14097	13431	13509	13458	13536	13646	13727	13475	13694	13775	13775	13863	13945	13726	14209
HMC6036-735	C2042BP	-	14414	14499	14808	14141	14219	14168	14246	14357	14438	14185	14404	14486	14486	14574	14655	14436	14920
HMC6036-1250	C2042BP1TW	-	14820	14904	15213	14547	14625	14574	14652	14762	14843	14591	14809	14891	14891	14979	15060	14842	15325
HMC6636	-	-	10498	10583	10892	10139	10217	10166	10244	10441	10522	10183	10488	10569	10569	10658	10739	10434	11004
HMC6636-735	C2048BP	-	15159	15244	15552	14799	14877	14826	14904	15101	15183	14843	15149	15230	15230	15318	15400	15094	15664
HMC6636-1250	C2048BP1TW	-	15532	15617	15925	15172	15250	15200	15278	15474	15556	15217	15522	15603	15603	15691	15773	15468	16037
HMC7236	-	-	10641	10726	11034	10261	10339	10288	10366	10583	10664	10305	10631	10712	10712	10800	10882	10556	11146
HMC7236-1250	C2054BP1TW	-	16343	16427	16736	15963	16041	15990	16068	16285	16366	16007	16332	16414	16414	16502	16583	16258	16848
HMC8436	-	-	10768	10853	11161	10373	10451	10400	10478	10710	10792	10417	10758	10839	10839	10927	11009	10668	11273
HMC8436-1250	C2066BP1TW	-	18385	18469	18778	17989	18067	18017	18095	18327	18408	18034	18374	18456	18456	18544	18625	18285	18890
<b>42" H</b>																			
HMC4842	No Liner	-	9842	9927	10235	9589	9667	9616	9694	9784	9866	9633	9832	9913	9913	10001	10083	9884	10347
HMC4842-360	C2030SD2	-	11653	11738	12047	11401	11479	11428	11506	11596	11677	11445	11643	11724	11724	11813	11894	11696	12159
HMC4842-625	C2030BP1	-	13258	13342	13651	13005	13083	13032	13110	13200	13281	13049	13247	13329	13329	13417	13498	13300	13763
HMC4842-735	C2030BP	-	13960	14045	14353	13707	13785	13734	13812	13902	13984	13751	13950	14031	14031	14119	14201	14002	14465
HMC5442	No Liner	-	9954	10039	10347	9681	9759	9708	9786	9896	9978	9725	9944	10025	10025	10113	10195	9976	10459
HMC5442-360	C2036SD2	-	11864	11948	12257	11590	11668	11618	11696	11806	11887	11635	11853	11935	11935	12023	12104	11886	12369
HMC5442-625	C2036BP1	-	13522	13607	13916	13249	13327	13276	13354	13465	13546	13293	13512	13593	13593	13682	13763	13544	14028
HMC5442-735	C2036BP	-	14233	14318	14626	13960	14038	13987	14065	14175	14257	14004	14223	14304	14304	14392	14474	14255	14738
HMC5442-1250	C2036BP1TW	-	14630	14714	15023	14357	14435	14384	14462	14572	14653	14401	14620	14701	14701	14789	14871	14652	15135
HMC6042	No Liner	-	10079	10164	10473	9806	9884	9833	9911	10022	10103	9850	10069	10151	10151	10239	10320	10101	10585
HMC6042-360	C2042SD2	-	12096	12181	12489	11823	11901	11850	11928	12038	12120	11867	12086	12167	12167	12255	12337	12118	12601
HMC6042-625	C2042BP1	-	13777	13861	14170	13504	13582	13531	13609	13719	13800	13548	13766	13848	13848	13936	14017	13799	14282
HMC6042-735	C2042BP	-	14487	14572	14881	14214	14292	14241	14319	14430	14511	14258	14477	14558	14558	14647	14728	14509	14993
HMC6042-1250	C2042BP1TW	-	14887	14972	15281	14614	14692	14642	14720	14830	14911	14659	14877	14959	14959	15047	15128	14910	15393
HMC6642	No Liner	-	10592	10676	10985	10232	10310	10259	10337	10534	10615	10276	10581	10663	10663	10751	10832	10527	11097
HMC6642-735	C2048BP	-	15252	15337	15646	14893	14971	14920	14998	15194	15276	14937	15242	15323	15323	15412	15493	15188	15758
HMC6642-1250	C2048BP1TW	-	15625	15710	16019	15266	15344	15293	15371	15568	15649	15310	15615	15696	15696	15785	15866	15561	16131
HMC7242	No Liner	-	10744	10829	11138	10364	10442	10391	10469	10686	10768	10408	10734	10815	10815	10904	10985	10659	11250
HMC7242-1250	C2054BP1TW	-	18361	18446	18754	17981	18059	18008	18086	18303	18385	18025	18351	18432	18432	18520	18602	18276	18866
HMC8442	No Liner	-	10882	10966	11275	10486	10564	10514	10592	10824	10905	10530	10871	10953	10953	11041	11122	10781	11387
HMC8442-1250	C2066BP1TW	-	18498	18583	18892	18103	18181	18130	18208	18441	18522	18147	18488	18570	18570	18658	18739	18398	19004

See pg W-105 for Hood Mantel C specifications

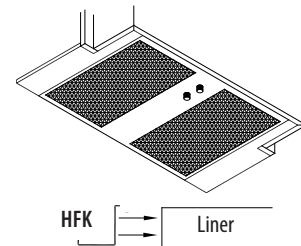
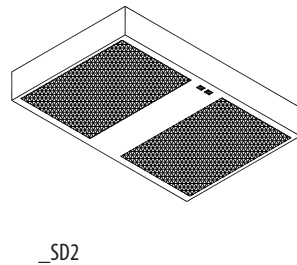
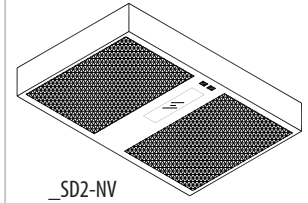
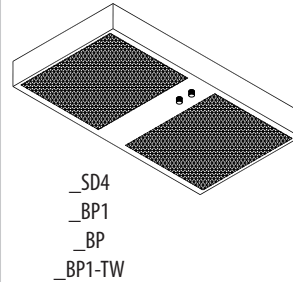
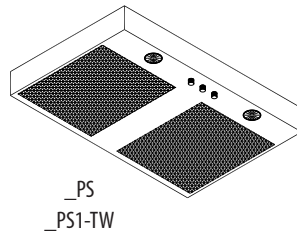


# Wall Cabinets

## POWERED HOOD LINERS

- Assembled & complete with motors, light fixtures (bulbs not included), back draft damper and controls
- Complete stainless steel construction
- Power ranges from 360 – 1350 CFM internal blowers depending on motors, booster and ducting
- Widths: 30" - 60"  
Depths: 18-1/8" and 22-1/4"
- Recessed Lighting (18-1/8" depth): requires 75 watt incandescent bulbs
- Dual Lighting (22-1/4" depth): Recessed Incandescent and Exposed Halogen. Requires 75 watt incandescent bulbs and PAR20 50 watt halogen spotlights.
- Ducting: 7" Round (Single or double)
- Optional Booster transition from 7" to 8" round ducting increases performance by approx. 20%
- Optional 3' Pigtail
- Optional 3/4" flange on all four sides
- Optional remote located wall switch
- **NOTE:** Due to venting requirements of twin blowers, they may not fit on some wood hoods with tapered sides

Bottom view  
see next page for detailed top view and compatible liners



Hood Filler Kits (HFK\_) fill the gap between powered liners and H1F/H2F wood hoods and adjacent wall cabinets

### Options for Powered Liners

Item	Description	MSRP
PIGTAIL5300	3' Power Cord with Plug	54
FLANGE7500*	3/4" Flange 4 Sides	268
REMOTE	Remote Located Wall Switch	192

\*90" W hood mantels with C2072BP1-TW requires two Flange7500

\*\* No optional items available for C2027SD2

### Powered Liner Accessories

Item	Description	MSRP
B00ST8800	Transition Booster Duct Single 7" to Single 8"	421
B00ST8800TW	Transition Booster Duct Twin 7" to Twin 8"	534
CTW710-36	Transition Duct Twin 7" to Single 10" (9" C/C)	611
CTW710	Transition Duct Twin 7" to Single 10" (12" C/C)	611
CPIPE710	Transition Duct Single 7" To 3-1/4" x 10" Rectangle	229
HFK212*	Filler Kit (Includes 1-Left and 1-Right) 2-1/4" W x 11-1/8" D	141
HFK320*	Filler Kit (Includes 1-Left and 1-Right) 3-3/4" W x 18-1/8" D with 2-1/4" x 7" notch	178
HFK324*	Filler Kit (Includes 1-Left and 1-Right) 3-3/4" W x 22-1/4" D with 2-1/4" x 11-1/8" notch	178

\*Required for H1F and H2F hoods  
See HFK size requirements per hood (pg W-98, 99)



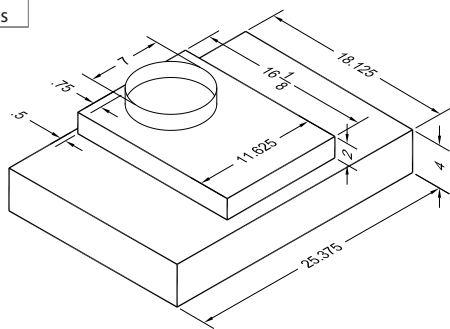
# Wall Cabinets

## HOW TO ORDER

Model	Width (Nominal)	Power Liner
C20	30	BP1

See next page for individual specifications

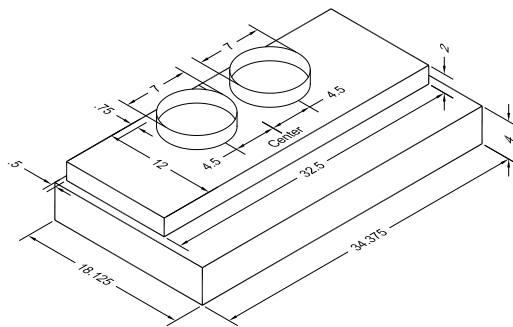
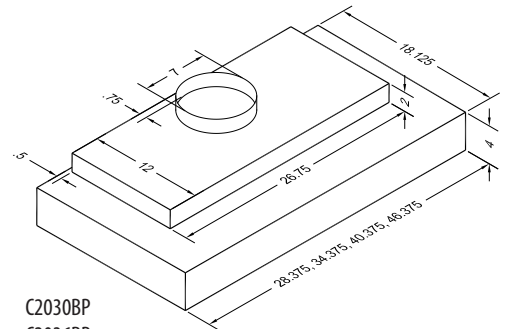
### Top view - Includes list of compatible powered liners



C2027SD2  
C2027SD4  
C2027BP1

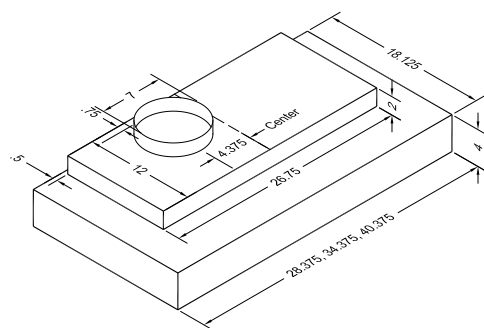
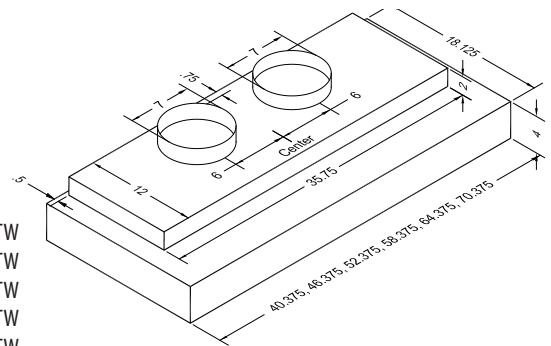
C2030SD2  
C2030SD2NV  
C2036SD2  
C2036SD2NV  
C2042SD2

C2030SD4      C2030BP  
C2036SD4      C2036BP  
C2042SD4      C2042BP  
C2048SD4      C2048BP



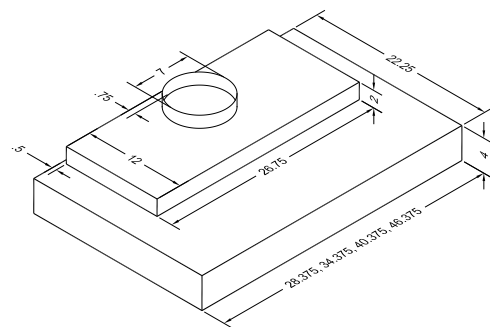
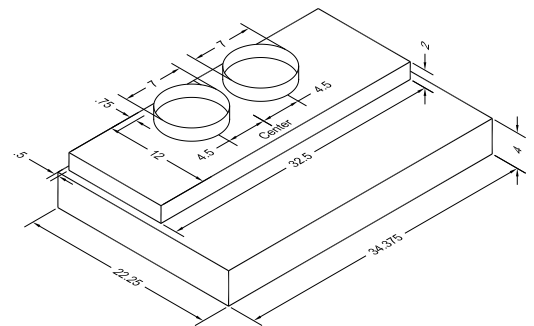
C2036BP1-TW

C2042BP1-TW  
C2048BP1-TW  
C2054BP1-TW  
C2060BP1-TW  
C2066BP1-TW  
C2072BP1-TW\*  
\*order 2 FLANGE7500



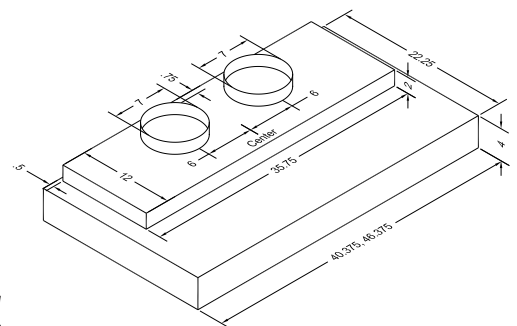
C2030BP1  
C2036BP1  
C2042BP1

C2036PS1-TW



C2030PS  
C2036PS  
C2042PS  
C2048PS

C2042PS1-TW  
C2048PS1-TW



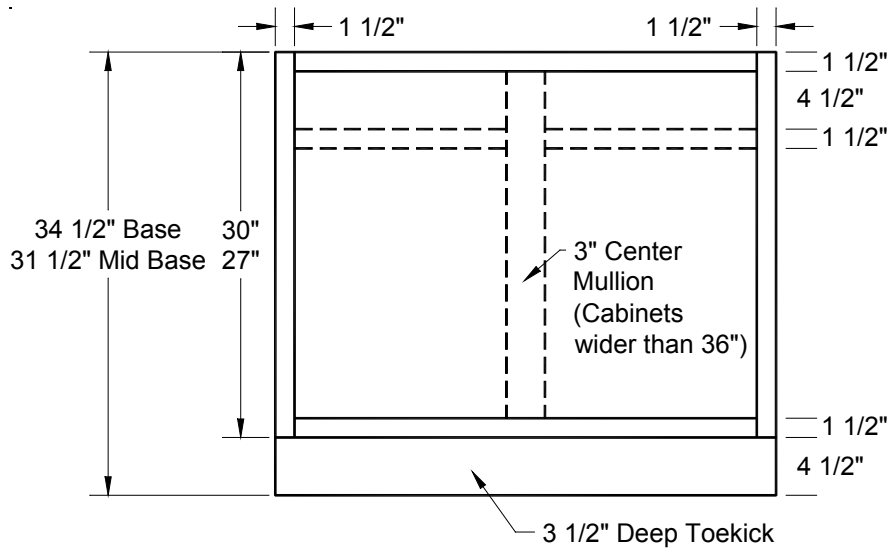
# Wall Cabinets – Powered Liner Detail & Pricing

Item	Description	MSRP	CFM @ Sones	Blowers	Blower Power Control	Duct Position Kit Included	Ducting Information	Light Control	Lighting Quantity
<b>Powered Liners for 20" to 23-1/2" D Wood Hoods</b>									
<b>25-3/8" X 18-1/8"</b>									
C2027SD2*	SS Liner 360CFM	1504	360 @ 4.9	Sgl Air Ring Fan	Hi/Lo/Off	None	7" Round Centered	Hi/Lo/Off	Recessed (2)
C2027SD4	SS Liner 430CFM	2086	430 @ 7.6	Sgl Air Ring Fan	Variable	None	7" Round Centered	Variable	Recessed (2)
C2027BP1	SS Liner 610CFM	3416	610 @ 4.6	Sgl Centrifugal	Variable	2550	7" Round Centered	Variable	Recessed (2)
<b>28-3/8" X 18-1/8"</b>									
C2030BP1	SS Liner 610CFM	3416	610 @ 4.6	Sgl Centrifugal	Variable	2550	7" Round 4-3/8" off-center (L)	Variable	Recessed (2)
C2030BP	SS Liner 710CFM	4118	710 @ 4.6	Dual Centrifugal	Variable	2550	7" Round Centered	Variable	Recessed (2)
C2030SD4	SS Liner 430CFM	2086	430 @ 7.6	Sgl Air Ring Fan	Variable	None	7" Round Centered	Variable	Recessed (2)
C2030SD2	SS Liner 360CFM	1811	360 @ 4.9	Sgl Air Ring Fan	Hi/Lo/Off	None	7" Round Centered	Hi/Lo/Off	Recessed (2)
C2030SD2NV	SS Liner No Vent	1903	No Vent @ 4.9	Sgl Air Ring Fan	Hi/Lo/Off	None	Char. Filter, Elbow Trans Incl.	Hi/Lo/Off	Recessed (1)
<b>34-3/8" x 18-1/8"</b>									
C2036BP1	SS Liner 610CFM	3568	610 @ 4.6	Sgl Centrifugal	Variable	2550	7" Round 4-3/8" off-center (L)	Variable	Recessed (4)
C2036BP	SS Liner 710CFM	4279	710 @ 4.6	Dual Centrifugal	Variable	2550	7" Round Centered	Variable	Recessed (4)
C2036BP1TW	SS Liner 1250CFM	4676	1350 @4.6	Twin Centrifugal	Variable	2550-TW	Twin 7" Round – 9" C/C	Variable	Recessed (4)
C2036SD4	SS Liner 430CFM	2193	430 @ 7.6	Sgl Air Ring Fan	Variable	None	7" Round Centered	Variable	Recessed (2)
C2036SD2	SS Liner 360CFM	1910	360 @ 4.9	Sgl Air Ring Fan	Hi/Lo/Off	None	7" Round Centered	Hi/Lo/Off	Recessed (2)
C2036SD2NV	SS Liner No Vent	1979	No Vent @ 4.9	Sgl Air Ring Fan	Hi/Lo/Off	None	Char. Filter, Elbow Trans Incl.	Hi/Lo/Off	Recessed (1)
<b>40-3/8" x 18-1/8"</b>									
C2042BP1	SS Liner 610CFM	3697	610 @ 4.6	Sgl Centrifugal	Variable	2550	7" Round 4-3/8" off-center (L)	Variable	Recessed (4)
C2042BP	SS Liner 710CFM	4408	710 @ 4.6	Dual Centrifugal	Variable	2550	7" Round Centered	Variable	Recessed (4)
C2042BP1TW	SS Liner 1250CFM	4813	1350 @4.6	Twin Centrifugal	Variable	2550-TW	Twin 7" Round – 12" C/C	Variable	Recessed (4)
C2042SD4	SS Liner 430CFM	2300	430 @ 7.6	Sgl Air Ring Fan	Variable	None	7" Round Centered	Variable	Recessed (2)
C2042SD2	SS Liner 360CFM	2017	360 @ 4.9	Sgl Air Ring Fan	Hi/Lo/Off	None	7" Round Centered	Hi/Lo/Off	Recessed (2)
<b>46-3/8" x 18-1/8"</b>									
C2048BP	SS Liner 710CFM	4661	710 @ 4.6	Dual Centrifugal	Variable	2550	7" Round Centered	Variable	Recessed (4)
C2048BP1TW	SS Liner 1250CFM	5034	1350 @4.6	Twin Centrifugal	Variable	2550-TW	Twin 7" Round – 12" C/C	Variable	Recessed (4)
C2048SD4	SS Liner 430CFM	2513	430 @ 7.6	Sgl Air Ring Fan	Variable	None	7" Round Centered	Variable	Recessed (2)
<b>52-3/8"   58/3/8"   64-3/8"   70-3/8" x 18-1/8"</b>									
C2054BP1TW	SS Liner 1250CFM	5702	1350 @ 4.6	Twin Centrifugal	Variable	2550-TW	Twin 7" Round – 12" C/C	Variable	Recessed (4)
C2060BP1TW	SS Liner 1250CFM	6435	1350 @ 4.6	Twin Centrifugal	Variable	2550-TW	Twin 7" Round – 12" C/C	Variable	Recessed (4)
C2066BP1TW	SS Liner 1250CFM	7617	1350 @ 4.6	Twin Centrifugal	Variable	2550-TW	Twin 7" Round – 12" C/C	Variable	Recessed (4)
C2072BP1TW**	SS Liner 1250CFM	9030	1350 @ 4.6	Twin Centrifugal	Variable	2550-TW	Twin 7" Round – 12" C/C	Variable	Recessed (4)
<b>Powered Liners for 24" D Wood Hoods</b>									
<b>28-3/8" x 22-1/4"</b>									
C2030PS	SS Liner 740CFM	4988	740 @ 4.6	Dual Centrifugal	Variable	2550	7" Round Centered	Variable	Dual (2+2)
<b>34-3/8" x 22-1/4"</b>									
C2036PS	SS Liner 740CFM	5173	740 @ 4.6	Dual Centrifugal	Variable	2550	7" Round Centered	Variable	Dual (4+2)
C2036PS1TW	SS Liner 1250CFM	6265	1350 @4.6	Twin Centrifugal	Variable	2550-TW	Twin 7" Round – 9" C/C	Variable	Dual (4+2)
<b>40-3/8" x 22-1/4"</b>									
C2042PS	SS Liner 740CFM	5317	740 @ 4.6	Dual Centrifugal	Variable	2550	7" Round Centered	Variable	Dual (4+2)
C2042PS1TW	SS Liner 1270CFM	6455	1350 @4.6	Twin Centrifugal	Variable	2550-TW	Twin 7" Round – 12" C/C	Variable	Dual (4+2)
<b>46-3/8" x 22-1/4"</b>									
C2048PS	SS Liner 740CFM	5448	740 @ 4.6	Dual Centrifugal	Variable	2550	7" Round Centered	Variable	Dual (4+2)
C2048PS1TW	SS Liner 1270CFM	6631	1350 @4.6	Twin Centrifugal	Variable	2550-TW	Twin 7" Round – 12" C/C	Variable	Dual (4+2)
<p><b>Note</b> - Dual lighting takes two styles of bulbs. The first number refers to incandescent bulbs, and the second number refers to halogen bulbs</p> <p>*No optional items available for C2027SD2</p> <p>** C2072BP1TW requires two flanges, order separately</p>									



# Base Cabinets

## Typical Base & Mid-Base Configuration



## Standard door & drawer sizes

Door & Drawer Front Widths			
Cabinet Width	Traditional Overlay	Modified Overlay	Inset
9"	7"	8-1/2"	N/A
12"	10"	11-1/2"	8-13/16"
15"	13"	14-1/2"	11-13/16"
18"	16"	17-1/2"	14-13/16"
21"	19"	20-1/2"	17-13/16"
24"	22"	23-1/2"	20-13/16"
24" DD	(2) 10-15/16"	(2) 11-11/16"	(2) 10-11/32"
27"	(2) 12-7/16"	(2) 13-3/16"	(2) 11-27/32"
30"	(2) 13-15/16"	(2) 14-11/16"	(2) 13-11/32"
33"	(2) 15-7/16"	(2) 16-3/16"	(2) 14-27/32"
36"	(2) 16-15/16"	(2) 17-11/16"	(2) 16-11/32"
39"	(2) 17-1/2"	(2) 19"	(2) 16-5/16"
42"	(2) 19"	(2) 20-1/2"	(2) 17-13/16"
45"	(2) 20-1/2"	(2) 22"	(2) 19-5/16"
48"	(2) 22"	(2) 23-1/2"	(2) 20-13/16"

Door & Drawer Front Heights				
Cabinet Type	Modified & Traditional		Inset	
	Door	Fronts	Door	Fronts
FB	28"	-	26-13/16"	-
B	22"	5-7/16"	20-13/16"	4-5/16"
BLC	16"	(2) 5-7/16"	14-13/16"	(2) 4-5/16"
B1D	-	10-11/16"	-	9-9/16"
B2D	-	(2) 13-11/16"	-	(2) 12-9/16"
B3D	-	5-7/16" (2) 10-11/16"	-	4-5/16" (2) 9-9/16"
B4D	-	5-7/16" (3) 6-15/16"	-	4-5/16" (3) 5-13/16"
MFB	25"	-	23-13/16"	-
MB	19"	5-7/16"	17-13/16"	4-5/16"
MB2D	-	(2) 12-3/16"	-	(2) 11-1/16"
MB3D	-	5-7/16" 7-11/16" 10-11/16"	-	4-5/16" 6-9/16" 9-9/16"
MB4D	-	5-7/16" (3) 5-15/16"	-	4-5/16" (3) 4-13/16"

Non-Standard Door & Drawer Front Size Formulas			
Number of Doors & Fronts	Traditional Width	Modified Width	Inset Width
9" - 24" = 1 door, 9" - 36" = 1 drawer	Opening + 1"	Opening + 2-1/2"	Opening - 3/16"
24" DD - 36" = 2 doors, "butt" type	(Opening ÷ 2) + 7/16"	(Opening ÷ 2) + 1-3/16"	(Opening - 5/16") ÷ 2
>36" - 48" = 2 doors, fixed center mullion	Opening + 1"	Opening + 2-1/2"	Opening - 3/16"
	Traditional & Modified Height		Inset Height
Doors	Opening + 1"		Opening - 3/16"
Drawer Fronts	Opening + 15/16"		Opening - 3/16"

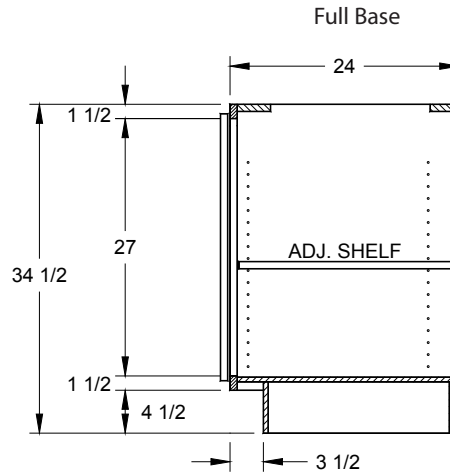
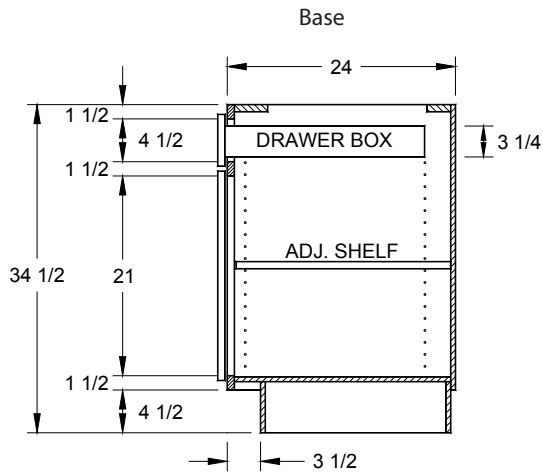
# Base Cabinets

## Base Cross Sections

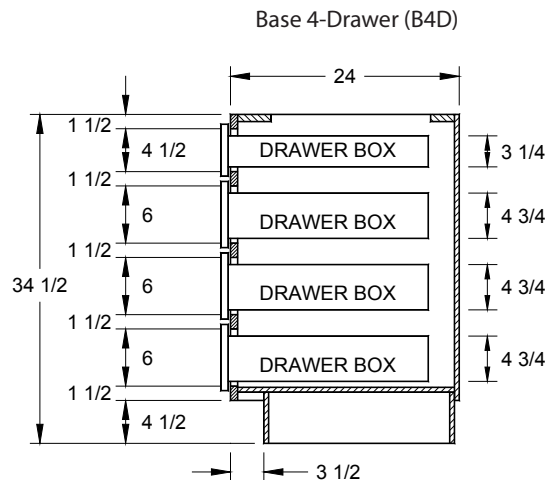
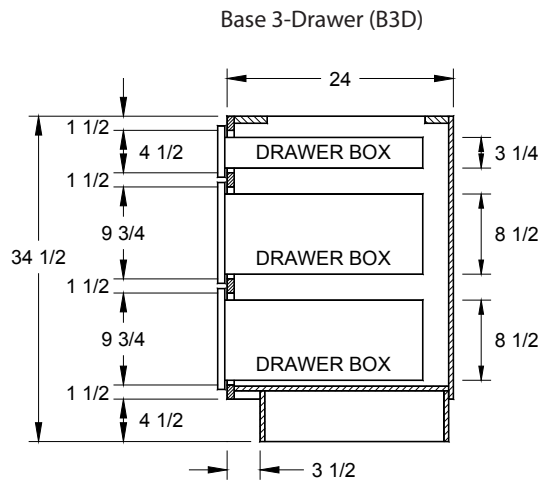
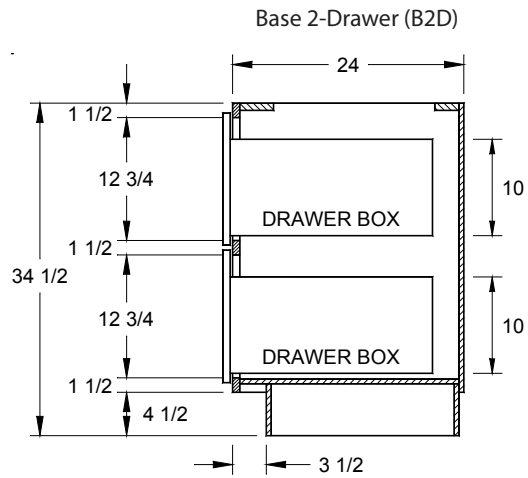
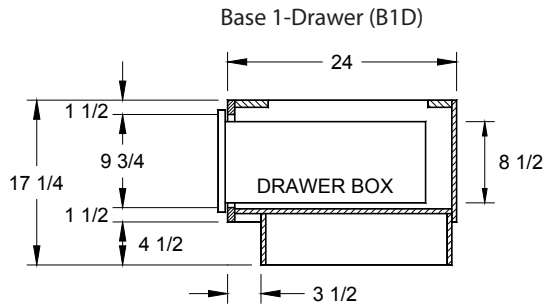
Find door & drawer front heights, widths and reveals on pg B-1

Cross sections feature drawer heights of hardwood drawers (HWDWR). Drawer heights of solid wood drawers (SWD) may vary slightly. Drawer front heights and openings are not affected.

### Base (B\_) and Full Base (FB\_)



### Base Drawer Cabinets (B\_D)



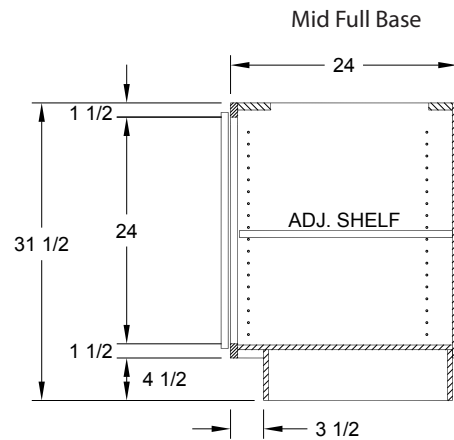
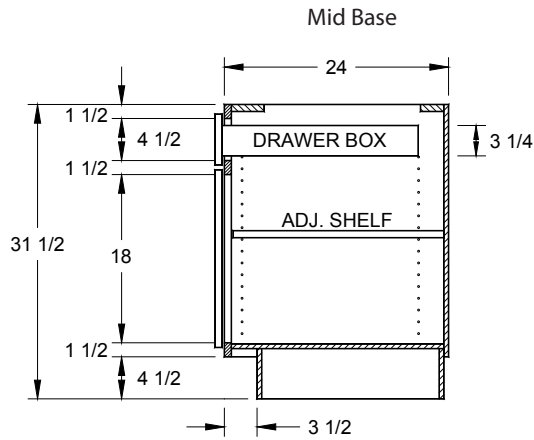
# Base Cabinets

## Mid Base Cross Sections

Find door & drawer front heights, widths and reveals on pg B-1

Cross sections feature drawer heights of hardwood drawers (HWDWR). Drawer heights of solid wood drawers (SWD) may vary slightly. Drawer front heights and openings are not affected.

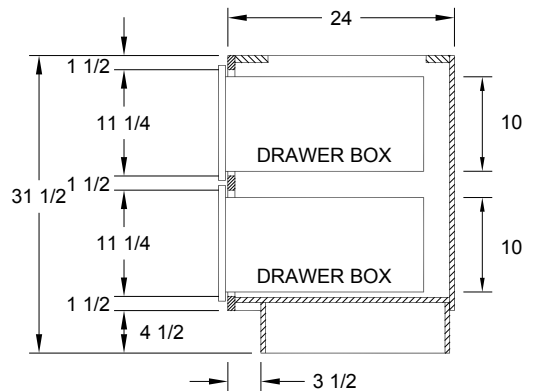
### Mid Base (MB\_) and Mid Full Base (MFB\_)



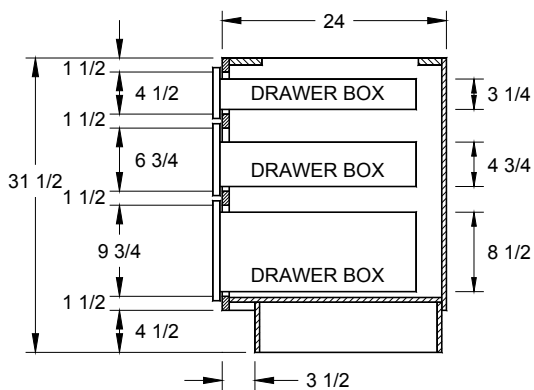
### Mid Base Drawer Cabinets (MB\_D)

Mid Base cabinets are 31-1/2" tall. To order Mid Base cabinets, use the standard base cabinet nomenclature with an "M" prefix. Examples: MB36, MB4D24, MBSC42-45R.

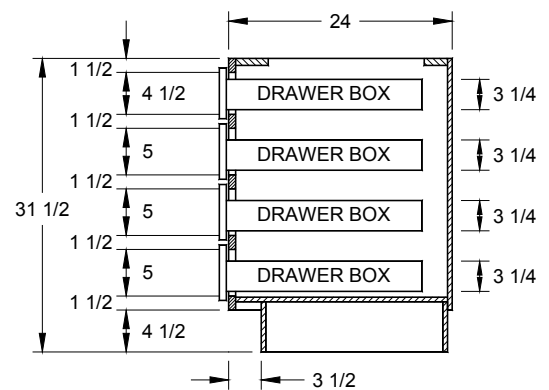
#### Mid Base 2-Drawer (MB2D)



#### Mid Base 3-Drawer (MB3D)



#### Mid Base 4-Drawer (MB4D)



# Base Cabinets

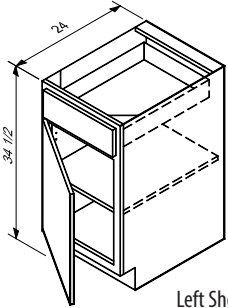
\* L or R required

## BASE

• One 3/4" thick full depth adjustable shelf

### MODIFICATION LIMITS

Width 9" – 24"  
Height 22-1/2" – 46-1/2"  
Depth 12" – 30"



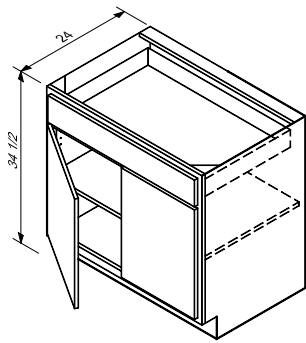
Left Shown

### B1DR1DWR

B09\*  
B12\*  
B15\*  
B18\*  
B21\*  
B24\*

### MODIFICATION LIMITS

Width 18" – 36" (Inset: 21" min.)  
Height 22-1/2" – 46-1/2"  
Depth 12" – 30"

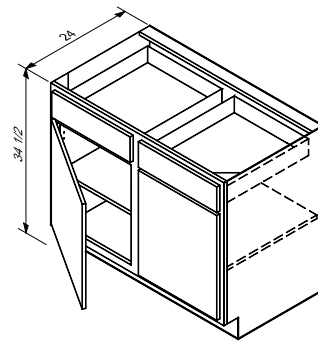


### B2DR1DWR

B24DD  
B27  
B30  
B33  
B36

### MODIFICATION LIMITS

Width 36-1/4" – 48"  
Height 22-1/2" – 46-1/2"  
Depth 12" – 30"



### B2DR2DWR

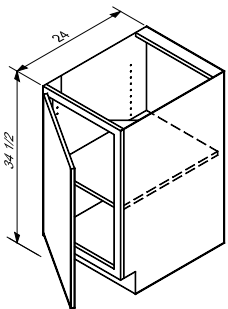
B39  
B42  
B45  
B48

## FULL BASE – 24" DEEP

• One 3/4" thick full depth adjustable shelf

### MODIFICATION LIMITS

Width 6" – 24" (Inset: 12" min.)  
Height 16-1/2" – 46-1/2"  
Depth 6" – 30"

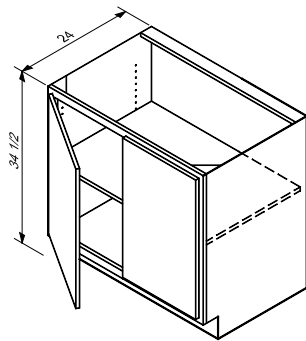


### FB1DR

FB09\*  
FB12\*  
FB15\*  
FB18\*  
FB21\*  
FB24\*

### MODIFICATION LIMITS

Width 18" – 36" (Inset: 21" min.)  
Height 16-1/2" – 46-1/2"  
Depth 6" – 30"

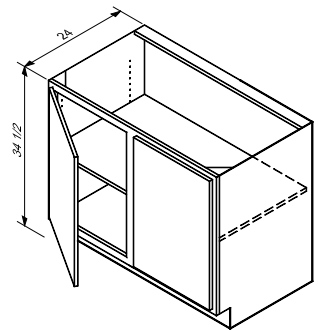


### FB2DR

FB24DD  
FB27  
FB30  
FB33  
FB36

### MODIFICATION LIMITS

Width 36-1/4" – 48"  
Height 16-1/2" – 46-1/2"  
Depth 6" – 30"



### FB2DR

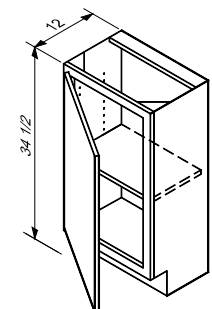
FB39  
FB42  
FB45  
FB48

## FULL BASE – 12" DEEP

• One 3/4" thick full depth adjustable shelf

### MODIFICATION LIMITS

Width 6" – 24" (Inset: 12" min.)  
Height 16-1/2" – 46-1/2"  
Depth No Depth Mods

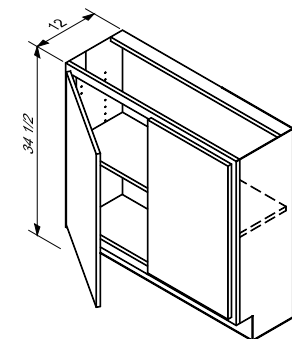


### FB1DRx12

FB09x12\*  
FB12x12\*  
FB15x12\*  
FB18x12\*  
FB21x12\*  
FB24x12\*

### MODIFICATION LIMITS

Width \* 18" – 36" (Inset: 21" min.)  
Height 16-1/2" – 46-1/2"  
Depth No Depth Mods

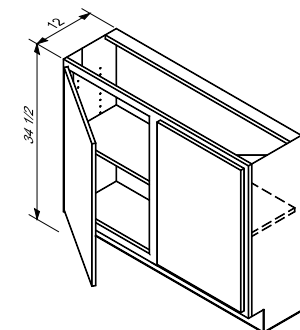


### FB2DRx12

FB24x12DD  
FB27x12  
FB30x12  
FB33x12  
FB36x12

### MODIFICATION LIMITS

Width 36-1/4" – 48"  
Height 16-1/2" – 46-1/2"  
Depth No Depth Mods



### FB2DRx12

FB39x12  
FB42x12  
FB45x12  
FB48x12

# Base Cabinets

\* L or R required

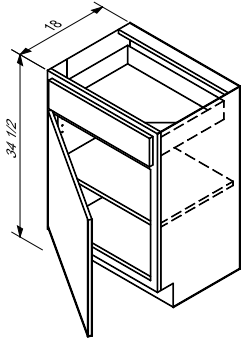
	C0	C1	C2	C4	C4A	C5	C7	C7A	C9	C9A	C10	C10A	C11	C12	C12A	C13	C13A	C14	C15	C16
<b>BASE</b>																				
<b>B09*</b>	360	399	414	539	539	702	424	424	516	516	534	534	555	575	575	602	602	655	760	880
<b>B12*</b>	387	432	458	595	595	787	470	470	570	570	590	590	622	643	643	673	673	733	851	987
<b>B15*</b>	414	466	504	651	651	873	517	517	622	622	646	646	692	712	712	746	746	812	945	1097
<b>B18*</b>	439	499	551	709	709	960	565	565	677	677	702	702	760	782	782	819	819	892	1040	1208
<b>B21*</b>	466	533	600	763	763	1040	612	612	729	729	756	756	828	846	846	887	887	967	1126	1309
<b>B24*</b>	494	566	641	819	819	1130	658	658	782	782	809	809	897	919	919	963	963	1050	1225	1425
<b>B24DD</b>	505	597	687	895	895	1226	704	704	855	855	887	887	955	997	997	1045	1045	1140	1330	1547
<b>B27</b>	531	629	728	950	950	1275	751	751	907	907	941	941	1024	1036	1036	1085	1085	1184	1382	1610
<b>B30</b>	558	663	768	1006	1006	1398	797	797	960	960	996	996	1092	1135	1135	1189	1189	1297	1515	1764
<b>B33</b>	585	697	807	1062	1062	1482	845	845	1014	1014	1053	1053	1160	1202	1202	1260	1260	1375	1606	1871
<b>B36</b>	611	729	848	1118	1118	1567	892	892	1067	1067	1118	1118	1230	1272	1272	1333	1333	1455	1701	1983
<b>B39</b>	734	873	1013	1304	1304	1767	1043	1043	1245	1245	1296	1296	1426	1433	1433	1503	1503	1640	1918	2235
<b>B42</b>	760	906	1052	1360	1360	1828	1089	1089	1297	1297	1358	1358	1482	1494	1494	1567	1567	1698	1984	2313
<b>B45</b>	787	940	1092	1414	1414	1894	1136	1136	1350	1350	1423	1423	1535	1562	1562	1638	1638	1757	2056	2396
<b>B48</b>	812	974	1133	1472	1472	2005	1184	1184	1404	1404	1486	1486	1623	1632	1632	1711	1711	1859	2174	2536
<b>FULL BASE – 24" DEEP</b>																				
<b>FB09*</b>	302	326	358	453	453	599	354	354	434	434	449	449	470	492	492	514	514	558	648	750
<b>FB12*</b>	322	353	392	502	502	678	395	395	480	480	497	497	534	556	556	582	582	633	734	851
<b>FB15*</b>	343	380	427	550	550	756	434	434	526	526	544	544	597	619	619	648	648	704	819	950
<b>FB18*</b>	361	407	461	595	595	834	473	473	570	570	590	590	660	682	682	714	714	777	904	1050
<b>FB21*</b>	382	434	495	644	644	914	514	514	616	616	638	638	722	746	746	782	782	851	990	1150
<b>FB24*</b>	400	461	531	692	692	996	553	553	661	661	695	695	787	811	811	848	848	924	1079	1253
<b>FB24DD</b>	414	494	580	772	772	1094	600	600	738	738	765	765	846	890	890	933	933	1016	1186	1379
<b>FB27</b>	432	521	614	819	819	1174	641	641	782	782	811	811	911	955	955	1001	1001	1091	1272	1481
<b>FB30</b>	453	548	650	867	867	1252	680	680	828	828	865	865	974	1018	1018	1067	1067	1163	1357	1579
<b>FB33</b>	471	575	683	914	914	1331	721	721	873	873	923	923	1036	1082	1082	1133	1133	1236	1445	1682
<b>FB36</b>	492	602	717	962	962	1409	760	760	918	918	979	979	1099	1145	1145	1199	1199	1309	1530	1781
<b>FB39</b>	551	667	790	1050	1050	1538	834	834	1002	1002	1074	1074	1202	1248	1248	1308	1308	1428	1669	1944
<b>FB42</b>	570	694	824	1097	1097	1618	873	873	1048	1048	1131	1131	1265	1313	1313	1375	1375	1503	1755	2045
<b>FB45</b>	590	721	858	1145	1145	1696	912	912	1092	1092	1189	1189	1330	1375	1375	1442	1442	1574	1840	2145
<b>FB48</b>	609	748	894	1192	1192	1774	953	953	1138	1138	1245	1245	1392	1438	1438	1508	1508	1647	1925	2244
<b>FULL BASE – 12" DEEP</b>																				
<b>FB09X12*</b>	278	302	334	429	429	575	331	331	410	410	426	426	446	468	468	490	490	534	624	726
<b>FB12X12*</b>	297	327	366	477	477	653	370	370	455	455	471	471	509	531	531	556	556	607	709	826
<b>FB15X12*</b>	314	351	399	521	521	728	405	405	497	497	516	516	568	590	590	619	619	675	790	921
<b>FB18X12*</b>	331	377	431	565	565	804	443	443	539	539	560	560	629	651	651	683	683	746	873	1019
<b>FB21X12*</b>	349	402	463	612	612	882	482	482	583	583	605	605	690	714	714	750	750	819	958	1118
<b>FB24X12*</b>	366	427	497	658	658	962	519	519	628	628	661	661	753	777	777	814	814	890	1045	1219
<b>FB24X12DD</b>	380	460	546	738	738	1060	566	566	704	704	731	731	812	856	856	899	899	982	1152	1345
<b>FB27X12</b>	395	483	577	782	782	1136	604	604	745	745	773	773	873	918	918	963	963	1053	1235	1443
<b>FB30X12</b>	414	509	611	828	828	1213	641	641	789	789	826	826	934	979	979	1028	1028	1124	1318	1540
<b>FB33X12</b>	431	534	643	873	873	1291	680	680	833	833	882	882	996	1041	1041	1092	1092	1196	1404	1642
<b>FB36X12</b>	449	560	675	919	919	1367	717	717	875	875	936	936	1057	1102	1102	1157	1157	1267	1487	1738
<b>FB39X12</b>	507	622	746	1006	1006	1494	790	790	958	958	1029	1029	1158	1204	1204	1264	1264	1384	1625	1900
<b>FB42X12</b>	522	646	777	1050	1050	1570	826	826	1001	1001	1084	1084	1218	1265	1265	1328	1328	1455	1708	1998
<b>FB45X12</b>	541	672	809	1096	1096	1647	863	863	1043	1043	1140	1140	1280	1326	1326	1392	1392	1525	1791	2096
<b>FB48X12</b>	558	697	843	1141	1141	1723	902	902	1087	1087	1194	1194	1342	1387	1387	1457	1457	1596	1874	2193

## PENINSULA STARTER CABINET

- One 3/4" thick full depth adjustable shelf
- Cabinet is 18" deep with regular Toekick

### MODIFICATION LIMITS

Width 9" – 36"  
 Height 22-1/2" – 46-1/2"  
 Depth 12" – 30"

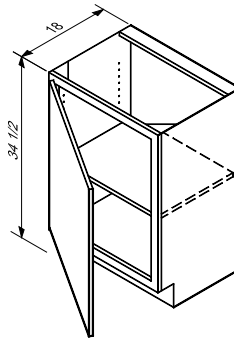


PSC1DR1DWR  
 PSC24\*

PSC2DR1DWR  
 PSC24DD  
 PSC27

### MODIFICATION LIMITS

Width 9" – 36"  
 Height 16-1/2" – 46-1/2"  
 Depth 12" – 30"



FPSC1DR  
 FPSC24\*

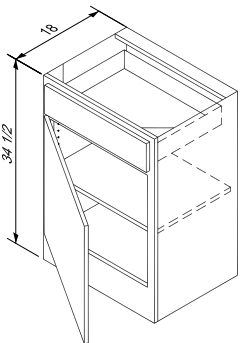
FPSC2DR  
 FPSC24DD  
 FPSC27

## PENINSULA STARTER – FLUSH TOEKICK

- See notes above

### MODIFICATION LIMITS

Width 9" – 36"  
 Height 22-1/2" – 46-1/2"  
 Depth 12" – 30"

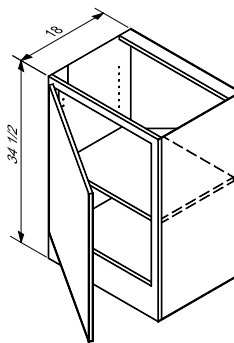


PSC1DR1DWRFTK  
 PSC24FTK\*

PSC2DR1DWRFTK  
 PSC24FTKDD  
 PSC27FTK

### MODIFICATION LIMITS

Width 9" – 36"  
 Height 16-1/2" – 46-1/2"  
 Depth 12" – 30"



FPSC1DRFTK  
 FPSC24FTK\*

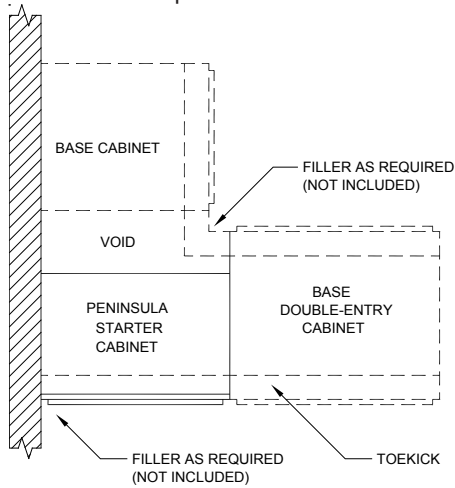
FPSC2DRFTK  
 FPSC24FTKDD  
 FPSC27FTK

# Base Cabinets

\* L or R required

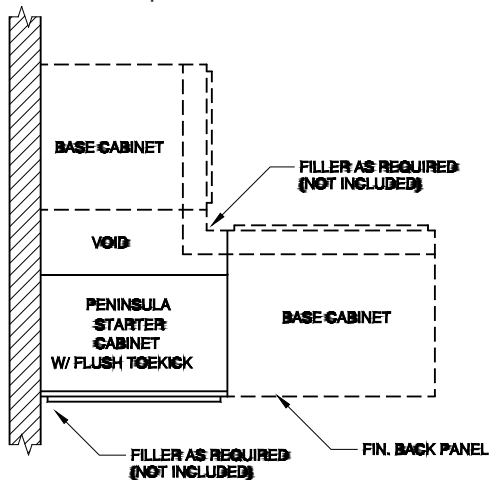
	C0	C1	C2	C4	C4A	C5	C7	C7A	C9	C9A	C10	C10A	C11	C12	C12A	C13	C13A	C14	C15	C16	
<b>PENINSULA STARTER CABINET</b>																					
PSC24*	502	634	790	943	943	1274	731	731	892	892	950	950	980	1004	1004	1060	1060	1172	1394	1650	
PSC24DD	516	697	841	1031	1031	1398	804	804	977	977	1043	1043	1077	1102	1102	1163	1163	1286	1528	1808	
PSC27	539	729	880	1118	1118	1504	858	858	1058	1058	1121	1121	1140	1189	1189	1255	1255	1386	1645	1944	
<b>FULL PENINSULA STARTER CABINET</b>																					
FPSC24*	409	529	665	816	816	1140	626	626	772	772	836	836	870	895	895	946	946	1046	1248	1479	
FPSC24DD	422	594	743	909	909	1265	700	700	860	860	931	931	968	996	996	1052	1052	1162	1384	1638	
FPSC27	441	621	777	985	985	1403	748	748	933	933	1002	1002	1026	1107	1107	1169	1169	1291	1535	1815	

Top View – PSC with Toekick



	C0	C1	C2	C4	C4A	C5	C7	C7A	C9	C9A	C10	C10A	C11	C12	C12A	C13	C13A	C14	C15	C16	
<b>PENINSULA STARTER – FLUSH TOEKICK</b>																					
PSC24FTK*	663	795	951	1104	1104	1435	892	892	1053	1053	1111	1111	1141	1165	1165	1221	1221	1333	1555	1811	
PSC24FTKDD	677	858	1002	1192	1192	1559	965	965	1138	1138	1204	1204	1238	1264	1264	1325	1325	1447	1689	1969	
PSC27FTK	700	890	1041	1279	1279	1665	1019	1019	1219	1219	1282	1282	1301	1350	1350	1416	1416	1547	1806	2105	
<b>FULL PENINSULA STARTER – FLUSH TOEKICK</b>																					
FPSC24FTK*	570	690	826	977	977	1301	787	787	933	933	997	997	1031	1057	1057	1107	1107	1208	1409	1640	
FPSC24FTKDD	583	755	904	1070	1070	1426	862	862	1021	1021	1092	1092	1130	1157	1157	1213	1213	1323	1545	1799	
FPSC27FTK	602	782	938	1146	1146	1564	909	909	1094	1094	1163	1163	1187	1269	1269	1330	1330	1452	1696	1976	

Top View – PSC with Flush Toekick



## BASE ROLL-OUT

- Two adjustable roll-outs included
- 3-1/4" tall, finished Natural, 5/8" thick solid wood sides and dovetail construction
- When height is modified quantity of roll-outs does not change
- Apply **IRO** modification or order loose **RO** for additional full-width roll-outs (see accessories)

- Modified & Traditional overlay: cabinets over 36" W will have floating center mullion
- Inset door styles: will have installed shelf mount roll-outs (ISMRO)
  - Cabinets wider than 36" will have fixed center mullion and four ISMRO
- Apply **2DF1** modification for two horizontal top drawers

### MODIFICATION LIMITS

Width 15" – 24"  
 Height 29-1/4" – 46-1/2"  
 Depth 12" – 30"

### MODIFICATION LIMITS

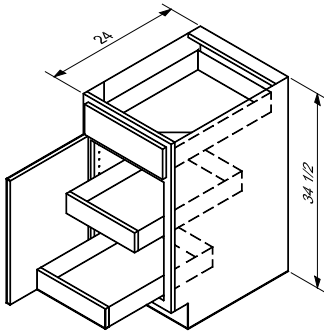
Width 18" – 36" (Inset: 21" min.)  
 Height 29-1/4" – 46-1/2"  
 Depth 12" – 30"

### MODIFICATION LIMITS

Width 36-1/4" – 48"  
 Height 29-1/4" – 46-1/2"  
 Depth 12" – 30"

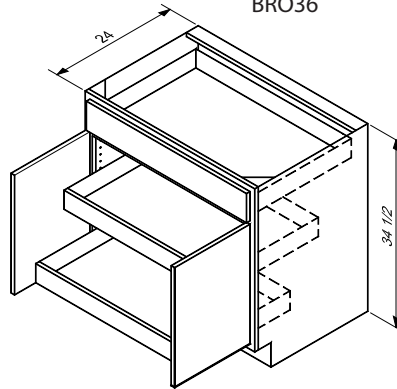
#### BRO1DR1DWR

BRO15\* BRO21\*  
 BRO18\* BRO24\*



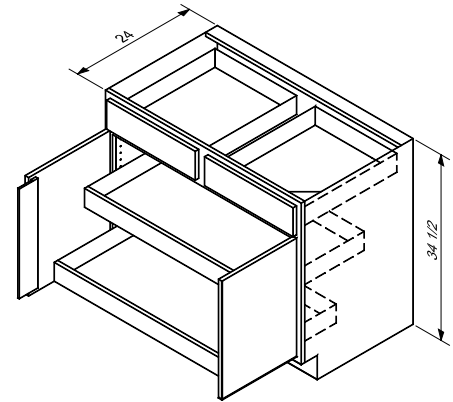
#### BRO2DR1DWR

BRO24DD BRO30  
 BRO27 BRO33  
 BRO36



#### BRO2DR2DWR

BRO39 BRO45  
 BRO42 BRO48



## FULL BASE ROLL-OUT

- See notes above

### MODIFICATION LIMITS

Width 15" – 24"  
 Height 23-1/2" – 67-1/2"  
 Depth 12" – 30"

### MODIFICATION LIMITS

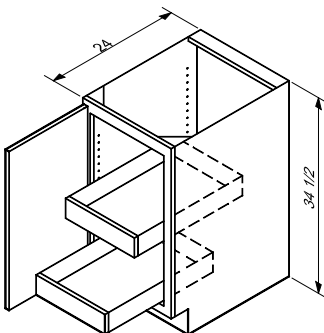
Width 18" – 36" (Inset: 21" min.)  
 Height 23-1/2" – 67-1/2"  
 Depth 12" – 30"

### MODIFICATION LIMITS

Width 36-1/4" – 48"  
 Height 23-1/2" – 67-1/2"  
 Depth 12" – 30"

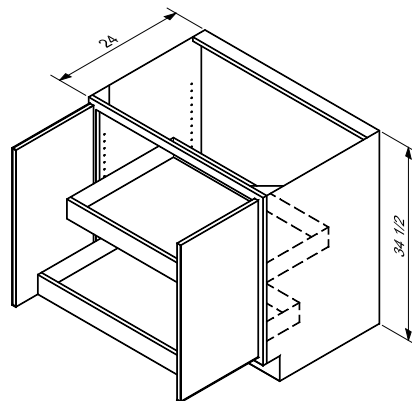
#### FBRO1DR

FBRO15\* FBRO21\*  
 FBRO18\* FBRO24\*



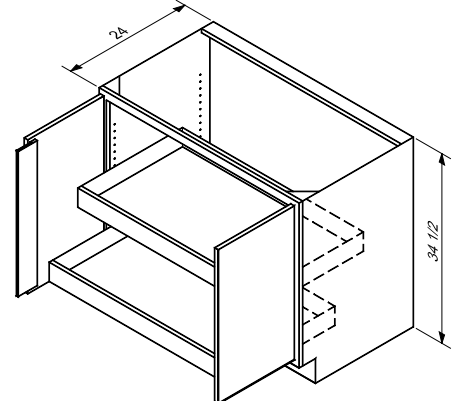
#### FBRO2DR

FBRO24DD FBRO30  
 FBRO27 FBRO33  
 FBRO36



#### FBRO2DR

FBRO39 FBRO45  
 FBRO42 FBRO48





# Base Cabinets

\* L or R required

	C0	C1	C2	C4	C4A	C5	C7	C7A	C9	C9A	C10	C10A	C11	C12	C12A	C13	C13A	C14	C15	C16
<b>BASE ROLL-OUT</b>																				
<b>BRO15*</b>	689	726	775	931	931	1216	753	753	889	889	923	923	968	989	989	1036	1036	1130	1318	1533
<b>BRO18*</b>	731	773	828	1002	1002	1319	812	812	957	957	992	992	1052	1072	1072	1123	1123	1225	1431	1667
<b>BRO21*</b>	772	819	882	1074	1074	1423	872	872	1024	1024	1063	1063	1133	1155	1155	1211	1211	1321	1543	1798
<b>BRO24*</b>	812	867	934	1143	1143	1526	931	931	1091	1091	1133	1133	1216	1238	1238	1297	1297	1416	1655	1928
<b>BRO24DD</b>	824	897	982	1218	1218	1623	977	977	1162	1162	1206	1206	1275	1316	1316	1379	1379	1506	1760	2052
<b>BRO27</b>	867	945	1036	1289	1289	1727	1036	1036	1230	1230	1277	1277	1358	1399	1399	1467	1467	1601	1872	2183
<b>BRO30</b>	907	992	1089	1360	1360	1832	1096	1096	1297	1297	1347	1347	1442	1484	1484	1555	1555	1699	1988	2317
<b>BRO33</b>	948	1040	1143	1430	1430	1935	1155	1155	1364	1364	1416	1416	1525	1567	1567	1643	1643	1794	2100	2449
<b>BRO36</b>	989	1085	1196	1501	1501	2037	1214	1214	1431	1431	1487	1487	1608	1650	1650	1730	1730	1891	2212	2580
<b>BRO39</b>	1126	1243	1374	1701	1701	2162	1377	1377	1623	1623	1660	1660	1699	1750	1750	1835	1835	2005	2347	2737
<b>BRO42</b>	1167	1289	1426	1771	1771	2244	1437	1437	1689	1689	1737	1737	1764	1816	1816	1905	1905	2081	2435	2841
<b>BRO45</b>	1208	1336	1481	1842	1842	2307	1496	1496	1757	1757	1815	1815	1813	1867	1867	1959	1959	2140	2505	2922
<b>BRO48</b>	1250	1384	1533	1913	1913	2418	1555	1555	1825	1825	1893	1893	1900	1957	1957	2052	2052	2244	2625	3063

	C0	C1	C2	C4	C4A	C5	C7	C7A	C9	C9A	C10	C10A	C11	C12	C12A	C13	C13A	C14	C15	C16
<b>FULL BASE ROLL-OUT</b>																				
<b>FBRO15*</b>	577	614	663	819	819	1104	641	641	777	777	806	806	856	877	877	924	924	1018	1206	1421
<b>FBRO18*</b>	619	661	716	890	890	1208	700	700	845	845	877	877	940	960	960	1011	1011	1113	1319	1555
<b>FBRO21*</b>	660	707	770	962	962	1311	760	760	912	912	946	946	1021	1043	1043	1099	1099	1209	1431	1686
<b>FBRO24*</b>	700	755	823	1031	1031	1414	819	819	979	979	1016	1016	1104	1126	1126	1186	1186	1304	1543	1816
<b>FBRO24DD</b>	712	785	870	1106	1106	1511	865	865	1050	1050	1091	1091	1163	1204	1204	1267	1267	1394	1649	1940
<b>FBRO27</b>	755	833	924	1177	1177	1615	924	924	1118	1118	1160	1160	1247	1287	1287	1355	1355	1489	1760	2071
<b>FBRO30</b>	795	880	977	1248	1248	1720	984	984	1186	1186	1231	1231	1330	1372	1372	1443	1443	1587	1876	2205
<b>FBRO33</b>	836	928	1031	1318	1318	1823	1043	1043	1252	1252	1299	1299	1413	1455	1455	1531	1531	1682	1988	2337
<b>FBRO36</b>	877	974	1084	1389	1389	1925	1102	1102	1319	1319	1370	1370	1482	1526	1526	1611	1611	1779	2100	2468
<b>FBRO39</b>	902	1019	1150	1477	1477	1939	1153	1153	1399	1399	1437	1437	1494	1538	1538	1618	1618	1781	2123	2513
<b>FBRO42</b>	943	1065	1202	1547	1547	2020	1213	1213	1465	1465	1513	1513	1547	1593	1593	1681	1681	1857	2212	2617
<b>FBRO45</b>	984	1113	1257	1618	1618	2083	1272	1272	1533	1533	1591	1591	1596	1643	1643	1735	1735	1916	2281	2698
<b>FBRO48</b>	1026	1160	1309	1689	1689	2195	1331	1331	1601	1601	1669	1669	1682	1733	1733	1828	1828	2020	2402	2839

## BASE SINK

- Open back with full-height panels that extend inward 5"
- Apply FSB modification for full-back option
- Apply 2FF modification for two horizontal fronts

### MODIFICATION LIMITS

Width 9" – 24"  
 Height 22-1/2" – 46-1/2"  
 Depth 9" – 30"

### MODIFICATION LIMITS

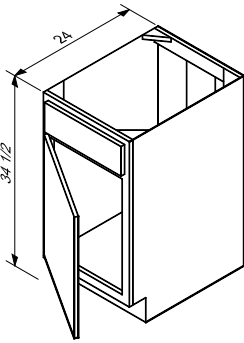
Width 18" – 36" (Inset: 21" min.)  
 Height 22-1/2" – 46-1/2"  
 Depth 9" – 30"

### MODIFICATION LIMITS

Width 36-1/4" – 48"  
 Height 22-1/2" – 46-1/2"  
 Depth 9" – 30"

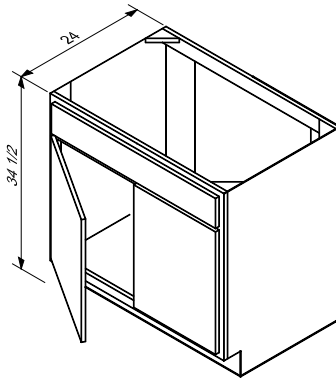
#### BS1DR1FF

BS18\*  
 BS21\*  
 BS24\*



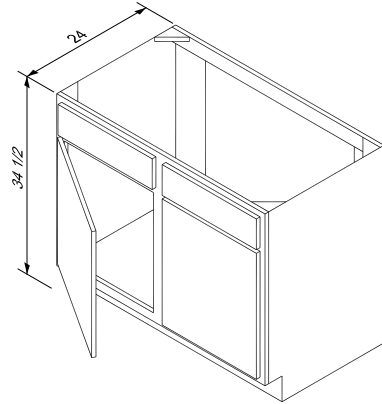
#### BS2DR1FF

BS24DD  
 BS27  
 BS30  
 BS33  
 BS36



#### BS2DR2FF

BS39  
 BS42  
 BS45  
 BS48



## BASE SINK with TIP-OUT

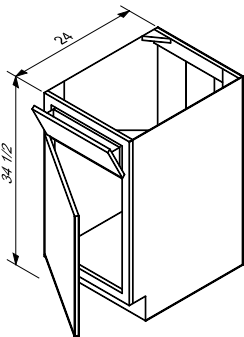
- Open back with full-height panels that extend inward 5"
- Apply FSB modification for full-back option
- Apply 2TO modification for two horizontal fronts with tip-outs

### MODIFICATION LIMITS

Width No Width Mods  
 Height 22-1/2" – 46-1/2"  
 Depth 9" – 30"

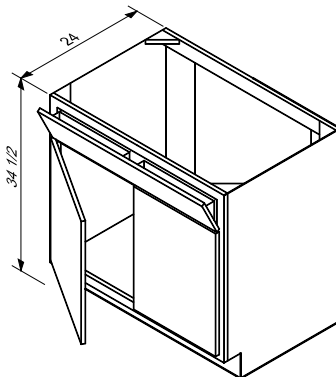
#### BST1DR1FF

BST18\*  
 BST21\*  
 BST24\*



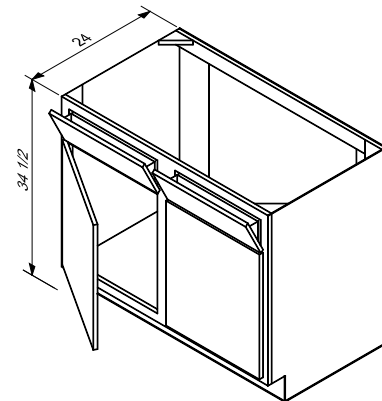
#### BST2DR1FF

BST24DD  
 BST27  
 BST30  
 BST33  
 BST36



#### BST2DR2FF

BST39  
 BST42  
 BST45  
 BST48



# Base Cabinets

\* L or R required

	C0	C1	C2	C4	C4A	C5	C7	C7A	C9	C9A	C10	C10A	C11	C12	C12A	C13	C13A	C14	C15	C16	
<b>BASE SINK</b>																					
<b>BS18*</b>	365	449	551	653	653	943	578	578	624	624	663	663	741	768	768	804	804	877	1021	1186	
<b>BS21*</b>	387	470	573	673	673	975	599	599	643	643	712	712	775	795	795	833	833	907	1058	1230	
<b>BS24*</b>	397	485	580	722	722	1029	614	614	690	690	753	753	811	838	838	877	877	957	1114	1296	
<b>BS24DD</b>	397	499	597	775	775	1079	634	634	741	741	782	782	838	879	879	919	919	1002	1170	1360	
<b>BS27</b>	404	510	611	821	821	1153	660	660	784	784	807	807	895	938	938	982	982	1072	1250	1453	
<b>BS30</b>	421	534	641	867	867	1226	682	682	828	828	862	862	955	997	997	1045	1045	1140	1330	1547	
<b>BS33</b>	438	558	673	912	912	1301	719	719	872	872	918	918	1014	1057	1057	1107	1107	1208	1409	1640	
<b>BS36</b>	455	583	704	960	960	1372	758	758	916	916	972	972	1072	1114	1114	1167	1167	1274	1487	1732	
<b>BS39</b>	516	668	812	1084	1084	1467	856	856	1035	1035	1092	1092	1157	1191	1191	1248	1248	1362	1591	1854	
<b>BS42</b>	533	692	843	1130	1130	1535	895	895	1079	1079	1146	1146	1209	1245	1245	1304	1304	1425	1664	1939	
<b>BS45</b>	550	717	873	1177	1177	1626	934	934	1123	1123	1202	1202	1282	1319	1319	1382	1382	1509	1766	2057	
<b>BS48</b>	566	741	906	1221	1221	1730	974	974	1165	1165	1257	1257	1384	1403	1403	1470	1470	1606	1877	2188	

	C0	C1	C2	C4	C4A	C5	C7	C7A	C9	C9A	C10	C10A	C11	C12	C12A	C13	C13A	C14	C15	C16	
<b>BASE SINK with TIP-OUT</b>																					
<b>BST18*</b>	365	517	619	724	724	1026	646	646	692	692	731	731	809	836	836	875	875	955	1089	1265	
<b>BST21*</b>	387	533	641	745	745	1060	667	667	711	711	780	780	843	863	863	904	904	985	1126	1309	
<b>BST24*</b>	397	546	648	794	794	1113	682	682	758	758	821	821	879	906	906	948	948	1035	1182	1375	
<b>BST24DD</b>	397	577	665	846	846	1163	702	702	809	809	850	850	906	946	946	990	990	1080	1238	1440	
<b>BST27</b>	404	646	746	963	963	1321	795	795	919	919	943	943	1031	1074	1074	1124	1124	1228	1386	1613	
<b>BST30</b>	421	670	777	1009	1009	1396	817	817	963	963	997	997	1091	1133	1133	1187	1187	1296	1465	1706	
<b>BST33</b>	438	694	809	1055	1055	1469	855	855	1007	1007	1053	1053	1150	1192	1192	1250	1250	1364	1545	1799	
<b>BST36</b>	455	719	840	1102	1102	1540	894	894	1052	1052	1107	1107	1208	1250	1250	1309	1309	1430	1623	1891	
<b>BST39</b>	516	804	948	1226	1226	1635	992	992	1170	1170	1228	1228	1287	1326	1326	1391	1391	1518	1727	2011	
<b>BST42</b>	533	828	979	1272	1272	1703	1031	1031	1214	1214	1282	1282	1340	1381	1381	1447	1447	1581	1799	2096	
<b>BST45</b>	550	853	1009	1319	1319	1796	1070	1070	1258	1258	1338	1338	1413	1455	1455	1525	1525	1665	1901	2217	
<b>BST48</b>	566	877	1041	1364	1364	1898	1109	1109	1301	1301	1392	1392	1520	1538	1538	1613	1613	1762	2013	2347	

## FULL BASE SINK

- Open back with full-height panels that extend inward 5"
- Apply FSB modification for full-back option

### MODIFICATION LIMITS

Width 9" – 24"  
 Height 16-1/2" – 46-1/2"  
 Depth 9" – 30"

### MODIFICATION LIMITS

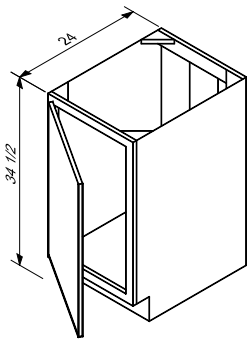
Width 18" – 36" (Inset: 21" min.)  
 Height 16-1/2" – 46-1/2"  
 Depth 9" – 30"

### MODIFICATION LIMITS

Width 36-1/4" – 48"  
 Height 16-1/2" – 46-1/2"  
 Depth 9" – 30"

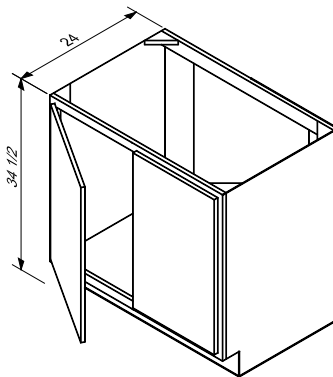
#### FBS1DR

FBS18\*  
 FBS21\*  
 FBS24\*



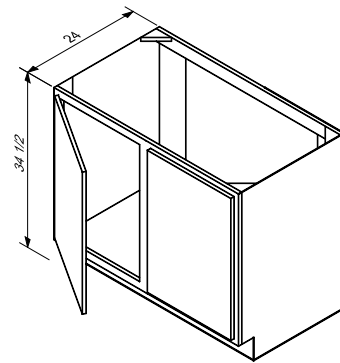
#### FBS2DR

FBS24DD  
 FBS27  
 FBS30  
 FBS33  
 FBS36



#### FBS2DR

FBS39  
 FBS42  
 FBS45  
 FBS48



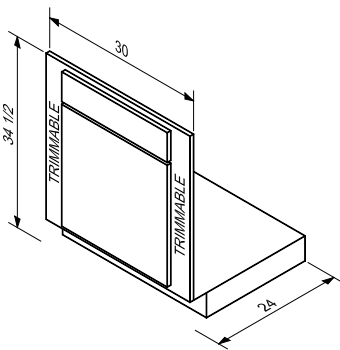
## BASE SINK FRONT KIT

### MODIFICATION LIMITS

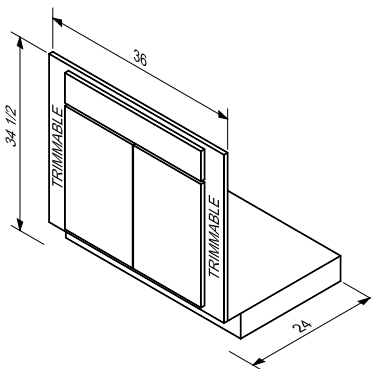
Width No Width Mods  
 Height 22-1/2" – 46-1/2"  
 Depth 12" – 30"

- 4-1/2" side stiles allow each side to be trimmed up to 3" (6" total)
- Shipped in two pieces - floor unit and face frame with doors and fronts attached
- Apply ITO modification for tip-out tray(s)
- Apply 2FF modification for two horizontal fronts

#### BSFK24-30

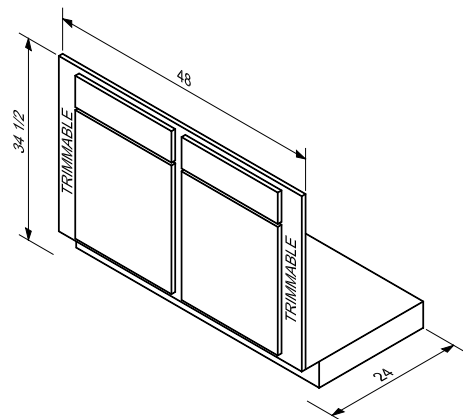


#### BSFK30-36



#### BSFK36-42

#### BSFK42-48



# Base Cabinets

\* L or R required

	C0	C1	C2	C4	C4A	C5	C7	C7A	C9	C9A	C10	C10A	C11	C12	C12A	C13	C13A	C14	C15	C16
<b>FULL BASE SINK</b>																				
<b>FBS18*</b>	341	407	487	609	609	838	480	480	582	582	604	604	661	683	683	716	716	778	906	1052
<b>FBS21*</b>	358	431	517	655	655	909	519	519	626	626	650	650	721	741	741	775	775	845	984	1143
<b>FBS24*</b>	375	455	548	699	699	982	558	558	668	668	694	694	811	801	801	838	838	912	1065	1238
<b>FBS24DD</b>	377	460	546	733	733	1050	570	570	700	700	726	726	811	855	855	895	895	975	1138	1323
<b>FBS27</b>	392	482	577	775	775	1121	605	605	741	741	770	770	868	912	912	955	955	1041	1216	1414
<b>FBS30</b>	407	505	605	819	819	1196	641	641	782	782	823	823	928	972	972	1018	1018	1111	1296	1508
<b>FBS33</b>	421	527	636	862	862	1269	677	677	823	823	875	875	985	1031	1031	1080	1080	1179	1375	1601
<b>FBS36</b>	436	550	667	904	904	1343	712	712	863	863	929	929	1045	1091	1091	1143	1143	1247	1455	1694
<b>FBS39</b>	492	611	734	987	987	1465	782	782	943	943	1019	1019	1143	1189	1189	1247	1247	1360	1589	1850
<b>FBS42</b>	505	633	765	1031	1031	1537	817	817	984	984	1072	1072	1201	1247	1247	1306	1306	1426	1667	1942
<b>FBS45</b>	521	656	794	1074	1074	1610	853	853	1024	1024	1124	1124	1260	1306	1306	1369	1369	1494	1747	2035
<b>FBS48</b>	536	678	824	1116	1116	1684	889	889	1065	1065	1179	1179	1318	1365	1365	1431	1431	1562	1827	2128

	C0	C1	C2	C4	C4A	C5	C7	C7A	C9	C9A	C10	C10A	C11	C12	C12A	C13	C13A	C14	C15	C16
<b>BASE SINK FRONT KIT</b>																				
<b>BSFK24-30*</b>	419	497	573	746	746	1007	595	595	712	712	741	741	797	821	821	860	860	936	1092	1270
<b>BSFK30-36</b>	487	612	733	990	990	1313	785	785	946	946	1002	1002	1036	1067	1067	1118	1118	1219	1423	1657
<b>BSFK36-42</b>	502	665	816	1101	1101	1431	870	870	1050	1050	1119	1119	1128	1162	1162	1218	1218	1328	1552	1808
<b>BSFK42-48</b>	524	700	867	1179	1179	1572	936	936	1124	1124	1218	1218	1238	1275	1275	1336	1336	1459	1706	1988

# Base Cabinets

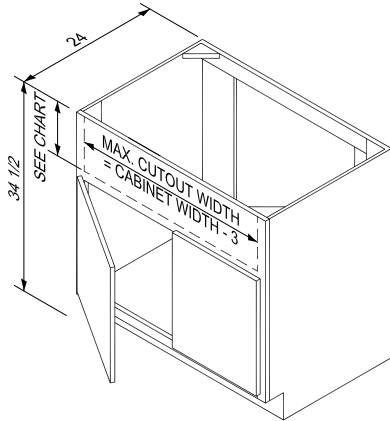
## FARMHOUSE BASE SINK

### HOW TO ORDER

Configuration	W	+ Panel Option
<b>FHBS</b>	<b>36</b>	<b>ERTOP-IN 1.25</b>
Results:	(A) 11-3/4" Top rail (B) 10-1/4" Max cutout (C) 16-3/4" Dr opening	

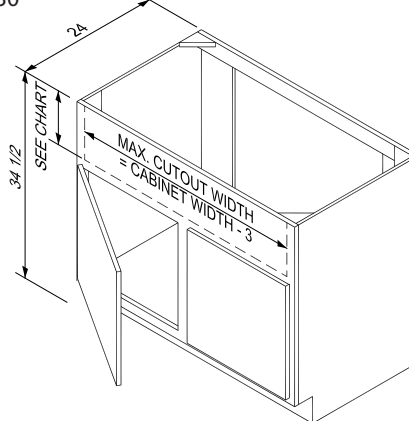
### MODIFICATION LIMITS

Width 18DD" – 36" (Inset: 21" min.)  
 Height 25-1/2" – 46-1/2"  
 Depth 9" – 30"



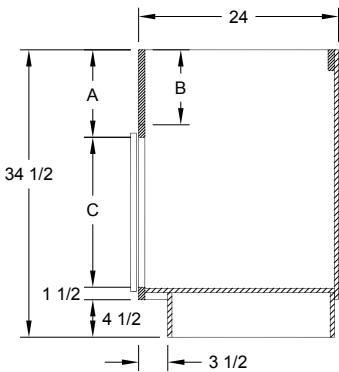
### MODIFICATION LIMITS

Width 36-1/4" – 48"  
 Height 25-1/2" – 46-1/2"  
 Depth 9" – 30"



**FHBS2DR**  
**FHBS24DD**  
 FHBS27  
 FHBS30  
 FHBS33  
 FHBS36

**FHBS2DR**  
 FHBS39  
 FHBS42  
 FHBS45  
 FHBS48



Apply Extend Top Rail Inward (ERTOP-IN \$0) option to:  
 -Increase top rail (A) and max cutout (B) heights in 1/4" increments  
 -Door & opening height (C) will decrease in 1/4" increments

- Maximum cutout height results in 1-1/2" mid-rail (above doors)
- Min. door opening height = 9"

### ERTOP-IN SIZE RESULTS

Apply ERTOP-IN*	'A' Top Rail H	'B' Max Cutout H	'C' Dr Opg. H
Not required	10-1/2	9	18
.25	10-3/4	9-1/4	17-3/4
.50	11	9-1/2	17-1/2
.75	11-1/4	9-3/4	17-1/4
1	11-1/2	10	17
1.25	11-3/4	10-1/4	16-3/4
1.50	12	10-1/2	16-1/2
1.75	12-1/4	10-3/4	16-1/4
2	12-1/2	11	16
2.25	12-3/4	11-1/4	15-3/4
2.50	13	11-1/2	15-1/2

\*Specify amount of extension as shown

	C0	C1	C2	C4	C4A	C5	C7	C7A	C9	C9A	C10	C10A	C11	C12	C12A	C13	C13A	C14	C15	C16
<b>FARMHOUSE BASE SINK</b>																				
<b>FHBS24DD</b>	397	499	597	775	775	1079	634	634	741	741	782	782	838	879	879	919	919	1002	1170	1360
<b>FHBS27</b>	404	510	611	821	821	1153	660	660	784	784	807	807	895	938	938	982	982	1072	1250	1453
<b>FHBS30</b>	421	534	641	867	867	1226	682	682	828	828	862	862	955	997	997	1045	1045	1140	1330	1547
<b>FHBS33</b>	438	558	673	912	912	1301	719	719	872	872	918	918	1014	1057	1057	1107	1107	1208	1409	1640
<b>FHBS36</b>	455	583	704	960	960	1372	758	758	916	916	972	972	1072	1114	1114	1167	1167	1274	1487	1732
<b>FHBS39</b>	516	668	812	1084	1084	1467	856	856	1035	1035	1092	1092	1157	1191	1191	1248	1248	1362	1591	1854
<b>FHBS42</b>	533	692	843	1130	1130	1535	895	895	1079	1079	1146	1146	1209	1245	1245	1304	1304	1425	1664	1939
<b>FHBS45</b>	550	717	873	1177	1177	1626	934	934	1123	1123	1202	1202	1282	1319	1319	1382	1382	1509	1766	2057
<b>FHBS48</b>	566	741	906	1221	1221	1730	974	974	1165	1165	1257	1257	1384	1403	1403	1470	1470	1606	1877	2188

# Base Cabinets

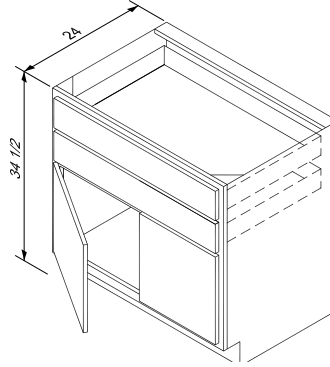
## BASE LINEN CABINET

### MODIFICATION LIMITS

Width 18DD" – 36" (Inset: 21" min.)  
 Height 29-1/4" – 46-1/2"  
 Depth 12" – 30"

- No adjustable shelves
- Drawer opening heights: (2) 4-1/2"
- Door opening height: 15"
- Doors: 16" H (Mod or Trad overlay)

- Apply 2DF1 modification for two horizontal top drawers
- Height modifications effect door heights
- For Inset or non-standard sizes use charts and formulas on pg B-1



BLC  
 BLC24DD  
 BLC27  
 BLC30  
 BLC33  
 BLC36

	C0	C1	C2	C4	C4A	C5	C7	C7A	C9	C9A	C10	C10A	C11	C12	C12A	C13	C13A	C14	C15	C16
<b>BLC24DD</b>	860	950	987	1160	1160	1435	1114	1114	1107	1107	1160	1160	1131	1165	1165	1221	1221	1333	1501	1749
<b>BLC27</b>	885	979	1019	1204	1204	1503	1157	1157	1150	1150	1214	1214	1184	1219	1219	1277	1277	1394	1608	1872
<b>BLC30</b>	909	1006	1052	1269	1269	1591	1199	1199	1211	1211	1267	1267	1253	1291	1291	1353	1353	1477	1732	2017
<b>BLC33</b>	934	1033	1084	1314	1314	1659	1241	1241	1253	1253	1321	1321	1306	1345	1345	1409	1409	1538	1837	2140
<b>BLC36</b>	960	1062	1118	1358	1358	1725	1284	1284	1297	1297	1374	1374	1358	1399	1399	1465	1465	1601	1942	2264

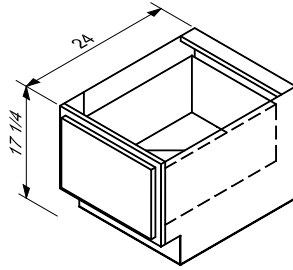
# Base Cabinets

## BASE 1-DRAWER

### MODIFICATION LIMITS

Width 9" – 36"  
 Height 12" – 20-1/4"  
 Depth 12" – 30"

- Drawer opening is 9-3/4"
- Apply 2DF1 modification for two horizontal top drawers



### B1D

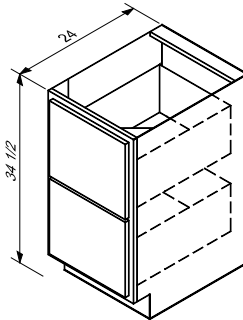
B1D12  
 B1D15  
 B1D18  
 B1D21  
 B1D24  
 B1D27  
 B1D30  
 B1D33  
 B1D36

## BASE 2-DRAWER

### MODIFICATION LIMITS

Width 9" – 36"  
 Height 18" – 34-1/2"  
 Depth 12" – 30"

- Drawer openings are 12-3/4" (2)
- Drawer clearance height is approximately 11-7/16", which allows for letter or legal size files and file holders (not included)
- Suggest hardwood drawer box construction (HWDWR) if using as file drawers
- Drawer box heights are 10"
- Height reduction in cabinet comes from top drawer first, until its opening becomes 4-1/2", then from bottom drawer opening to a minimum of 4-1/2"
- If reducing height and two equal sized drawers are required, order V2D, VM2D or VG2D



### B2D

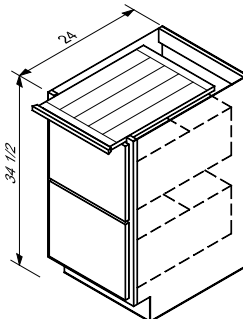
B2D12  
 B2D15  
 B2D18  
 B2D21  
 B2D24  
 B2D27  
 B2D30  
 B2D33  
 B2D36

## BASE 2-DRAWER – EXPOSED BREADBOARD

### MODIFICATION LIMITS

Width 12" – 27"  
 Height 18" – 34-1/2"  
 Depth 24" – 30"

- See notes above
- Top of breadboard is approximately 1/8" from top of cabinet. Allow proper clearance between countertop edge and breadboard.



### B2DEBB

B2D12EBB  
 B2D15EBB  
 B2D18EBB  
 B2D21EBB  
 B2D24EBB  
 B2D27EBB



# Base Cabinets

	C0	C1	C2	C4	C4A	C5	C7	C7A	C9	C9A	C10	C10A	C11	C12	C12A	C13	C13A	C14	C15	C16	
<b>BASE 1-DRAWER</b>																					
B1D12	309	334	370	485	485	600	368	368	448	448	351	351	448	448	448	485	485	560	648	789	
B1D15	348	370	404	539	539	668	412	412	497	497	395	395	497	497	497	539	539	622	711	862	
B1D18	385	404	436	594	594	736	456	456	548	548	439	439	548	548	548	594	594	685	773	934	
B1D21	422	438	471	648	648	804	499	499	599	599	483	483	599	599	599	648	648	748	836	1009	
B1D24	461	473	504	700	700	870	544	544	646	646	527	527	646	646	646	700	700	809	897	1080	
B1D27	499	509	538	755	755	938	589	589	697	697	572	572	697	697	697	755	755	872	960	1153	
B1D30	536	543	572	809	809	1002	631	631	746	746	616	616	746	746	746	809	809	933	1021	1225	
B1D33	575	578	604	862	862	1070	675	675	795	795	658	658	795	795	795	862	862	996	1084	1299	
B1D36	612	612	638	916	916	1136	719	719	845	845	702	702	845	845	845	916	916	1057	1145	1370	

	C0	C1	C2	C4	C4A	C5	C7	C7A	C9	C9A	C10	C10A	C11	C12	C12A	C13	C13A	C14	C15	C16	
<b>BASE 2-DRAWER</b>																					
B2D12	482	539	602	780	780	914	650	650	746	746	650	650	746	746	746	780	780	851	1009	1172	
B2D15	519	583	653	867	867	1016	726	726	828	828	726	726	828	828	828	867	867	945	1119	1301	
B2D18	555	626	702	951	951	1116	801	801	909	909	801	801	909	909	909	951	951	1038	1230	1430	
B2D21	589	667	751	1036	1036	1218	873	873	989	989	873	873	989	989	989	1036	1036	1131	1338	1559	
B2D24	626	711	801	1119	1119	1316	950	950	1068	1068	950	950	1068	1068	1068	1119	1119	1221	1447	1684	
B2D27	661	753	851	1206	1206	1416	1024	1024	1150	1150	1024	1024	1150	1150	1150	1206	1206	1314	1557	1813	
B2D30	697	795	901	1289	1289	1515	1099	1099	1230	1230	1099	1099	1230	1230	1230	1289	1289	1406	1665	1940	
B2D33	734	840	950	1374	1374	1616	1174	1174	1311	1311	1174	1174	1311	1311	1311	1374	1374	1499	1776	2069	
B2D36	770	882	1001	1457	1457	1715	1248	1248	1391	1391	1248	1248	1391	1391	1391	1457	1457	1591	1884	2195	

	C0	C1	C2	C4	C4A	C5	C7	C7A	C9	C9A	C10	C10A	C11	C12	C12A	C13	C13A	C14	C15	C16	
<b>BASE 2-DRAWER – EXPOSED BB</b>																					
B2D12EBB	663	714	775	974	974	1141	823	823	929	929	823	823	929	929	929	974	974	1062	1238	1440	
B2D15EBB	726	780	848	1084	1084	1272	921	921	1035	1035	921	921	1035	1035	1035	1084	1084	1182	1381	1606	
B2D18EBB	785	846	919	1194	1194	1403	1019	1019	1140	1140	1019	1019	1140	1140	1140	1194	1194	1303	1523	1772	
B2D21EBB	845	911	990	1304	1304	1533	1114	1114	1243	1243	1114	1114	1243	1243	1243	1304	1304	1423	1664	1939	
B2D24EBB	906	977	1062	1414	1414	1664	1213	1213	1348	1348	1213	1213	1348	1348	1348	1414	1414	1543	1806	2105	
B2D27EBB	965	1043	1135	1525	1525	1793	1311	1311	1453	1453	1311	1311	1453	1453	1453	1525	1525	1664	1949	2273	

# Base Cabinets

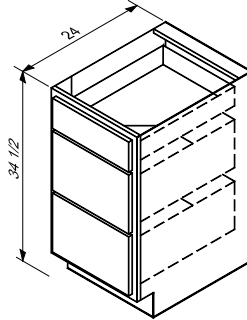
## BASE 3-DRAWER

### MODIFICATION LIMITS

Width 9" – 42"  
 Height 24" – 40-1/2"  
 Depth 12" – 30"  
 (No depth mods on 39" & 42" W cabinets)

- Apply 2DF1 mod. for two horizontal top drawers (min. 24" W cabinet)
- Apply ICB mod. for flip-down front w/chopping block in lieu of top drawer (18", 21" or 24" W cabinets)

- 39" & 42" W cabinets:
  - Comes standard with 110 lb rated heavy duty UMFEQ-IM guides only
  - Cape Cod Solid style drawer fronts will have center mullions



B3D	B3D
B3D12	B3D30
B3D15	B3D33
B3D18	B3D36
B3D21	*B3D39
B3D24	*B3D42
B3D27	

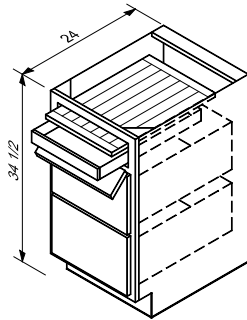
## BASE 3-DRAWER BREADBOARD

### MODIFICATION LIMITS

Width 12" – 27"  
 Height 24" – 40-1/2"  
 Depth 24" – 30"

- Top drawer flips down to allow access to breadboard and knife drawer

- Inset cabinets will not receive a knife drawer
- DFMD flip down fronts will have exposed hinges



B3DBB
B3D12BB
B3D15BB
B3D18BB
B3D21BB
B3D24BB
B3D27BB

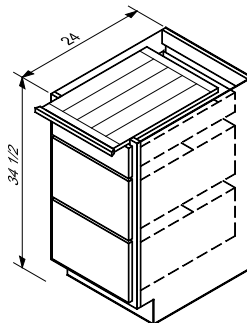
## BASE 3-DRAWER – EXPOSED BREADBOARD

### MODIFICATION LIMITS

Width 12" – 27"  
 Height 24" – 40-1/2"  
 Depth 24" – 30"

- Top of breadboard is approximately 1/8" from top of cabinet

- Allow proper clearance between countertop edge and breadboard



B3DEBB
B3D12EBB
B3D15EBB
B3D18EBB
B3D21EBB
B3D24EBB
B3D27EBB

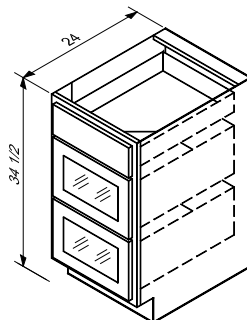
## BASE 3-DRAWER – DISPLAY FRONTS

### MODIFICATION LIMITS

Width No Width Mods  
 Height No Height Mods  
 Depth No Depth Mods

- Bottom 2 drawers are hardwood dovetail construction, fronts are 3" stiles and rails w/clear Plexi-glass inserts

- Divider is installed 2" from display front, leaving 18" of usable drawer space
- Apply IBB mod. for Installed Breadboard in top drawer
- Apply ICB mod. for flip-down front w/chopping block in lieu of top drawer (18", 21" or 24" W cabinets)



B3D__DIS
B3D15DIS
B3D18DIS
B3D21DIS

**Not available:** As Mid-Height cabinet or with Slab Wood, Flush Wood Veneer, 2-1/4" Mitered wood and Laminate door styles

# Base Cabinets

	C0	C1	C2	C4	C4A	C5	C7	C7A	C9	C9A	C10	C10A	C11	C12	C12A	C13	C13A	C14	C15	C16	
<b>BASE 3-DRAWER</b>																					
B3D12	533	590	653	834	834	979	700	700	797	797	700	700	797	797	797	834	834	909	1060	1231	
B3D15	572	636	706	923	923	1082	778	778	880	880	778	778	880	880	880	923	923	1006	1172	1364	
B3D18	609	680	756	1009	1009	1184	855	855	963	963	855	855	963	963	963	1009	1009	1101	1284	1494	
B3D21	646	724	809	1096	1096	1287	931	931	1046	1046	931	931	1046	1046	1046	1096	1096	1196	1396	1625	
B3D24	685	770	860	1182	1182	1389	1009	1009	1128	1128	1009	1009	1128	1128	1128	1182	1182	1289	1506	1754	
B3D27	722	814	912	1269	1269	1492	1085	1085	1211	1211	1085	1085	1211	1211	1211	1269	1269	1386	1618	1884	
B3D30	760	858	963	1355	1355	1593	1162	1162	1292	1292	1162	1162	1292	1292	1292	1355	1355	1479	1728	2013	
B3D33	799	904	1014	1442	1442	1696	1238	1238	1375	1375	1238	1238	1375	1375	1375	1442	1442	1574	1840	2145	
B3D36	836	948	1067	1528	1528	1798	1314	1314	1457	1457	1314	1314	1457	1457	1457	1528	1528	1669	1950	2274	
*B3D39	1063	1182	1308	1803	1803	2089	1579	1579	1728	1728	1579	1579	1728	1728	1728	1803	1803	1952	2251	2269	
*B3D42	1289	1414	1547	2079	2079	2379	1845	1845	2000	2000	1845	1845	2000	2000	2000	2079	2079	2235	2551	2588	

	C0	C1	C2	C4	C4A	C5	C7	C7A	C9	C9A	C10	C10A	C11	C12	C12A	C13	C13A	C14	C15	C16	
<b>BASE 3-DRAWER BREADBOARD</b>																					
B3D12BB	663	714	775	974	974	1143	823	823	929	929	823	823	929	929	929	974	974	1062	1238	1440	
B3D15BB	728	782	850	1085	1085	1275	923	923	1036	1036	923	923	1036	1036	1036	1085	1085	1184	1382	1610	
B3D18BB	789	850	923	1197	1197	1408	1023	1023	1143	1143	1023	1023	1143	1143	1143	1197	1197	1308	1526	1777	
B3D21BB	851	918	997	1309	1309	1540	1121	1121	1250	1250	1121	1121	1250	1250	1250	1309	1309	1430	1671	1947	
B3D24BB	914	985	1070	1423	1423	1674	1221	1221	1357	1357	1221	1221	1357	1357	1357	1423	1423	1554	1815	2115	
B3D27BB	975	1053	1145	1535	1535	1806	1321	1321	1464	1464	1321	1321	1464	1464	1464	1535	1535	1676	1959	2283	

	C0	C1	C2	C4	C4A	C5	C7	C7A	C9	C9A	C10	C10A	C11	C12	C12A	C13	C13A	C14	C15	C16	
<b>BASE 3-DRAWER – EXPOSED BB</b>																					
B3D12EBB	714	765	826	1026	1026	1206	873	873	980	980	873	873	980	980	980	1026	1026	1119	1289	1499	
B3D15EBB	778	833	901	1140	1140	1338	974	974	1087	1087	974	974	1087	1087	1087	1140	1140	1243	1433	1669	
B3D18EBB	840	901	974	1252	1252	1470	1074	1074	1194	1194	1074	1074	1194	1194	1194	1252	1252	1365	1577	1837	
B3D21EBB	902	968	1048	1364	1364	1604	1172	1172	1301	1301	1172	1172	1301	1301	1301	1364	1364	1489	1721	2006	
B3D24EBB	965	1036	1121	1476	1476	1737	1272	1272	1408	1408	1272	1272	1408	1408	1408	1476	1476	1611	1866	2174	
B3D27EBB	1026	1104	1196	1587	1587	1869	1372	1372	1515	1515	1372	1372	1515	1515	1515	1587	1587	1735	2010	2344	

	C0	C1	C2	C4	C4A	C5	C7	C7A	C9	C9A	C10	C10A	C11	C12	C12A	C13	C13A	C14	C15	C16	
<b>BASE 3-DRAWER – DISPLAY FRONTS</b>																					
B3D15DIS	1433	1433	1433	1503	1503	1767	1433	1433	1433	1433	1433	1433	1433	1433	1433	1503	1503	1640	1433	1669	
B3D18DIS	1501	1501	1501	1574	1574	1852	1501	1501	1501	1501	1501	1501	1501	1501	1501	1574	1574	1718	1501	1749	
B3D21DIS	1567	1567	1567	1643	1643	1935	1567	1567	1567	1567	1567	1567	1567	1567	1567	1643	1643	1794	1567	1825	

# Base Cabinets

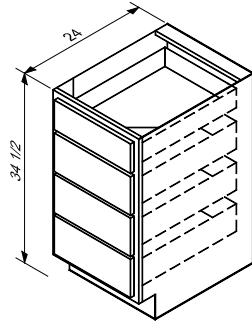
## BASE 4-DRAWER

### MODIFICATION LIMITS

Width 9" – 36"  
 Height 30" – 46-1/2"  
 Depth 12" – 30"

- Apply 2DF1 mod. for two horizontal top drawers (min. 24" W cabinet)

- Apply ICB mod. for flip-down front w/chopping block in lieu of top drawer (18", 21" or 24" W cabinets)



### B4D

B4D12  
 B4D15  
 B4D18  
 B4D21  
 B4D24  
 B4D27  
 B4D30  
 B4D33  
 B4D36

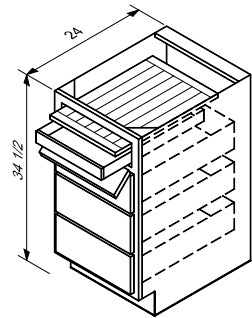
## BASE 4-DRAWER BREADBOARD

### MODIFICATION LIMITS

Width 12" – 27"  
 Height 30" – 46-1/2"  
 Depth 24" – 30"

- Top of breadboard is approximately 1/8" from top of cabinet
- Allow proper clearance between countertop edge and breadboard

- Top drawer flips down to allow access to breadboard and knife drawer. Inset cabinets will not receive a knife drawer.
- DFMD flip down drawer fronts will have exposed hinges



### B4DBB

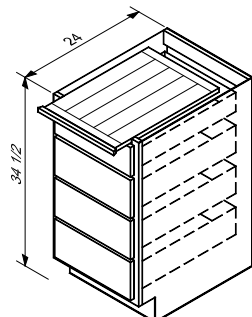
B4D12BB  
 B4D15BB  
 B4D18BB  
 B4D21BB  
 B4D24BB  
 B4D27BB

## BASE 4-DRAWER – EXPOSED BREADBOARD

### MODIFICATION LIMITS

Width 12" – 27"  
 Height 30" – 46-1/2"  
 Depth 24" – 30"

- Top of breadboard is approximately 1/8" from top of cabinet
- Allow proper clearance between countertop edge and breadboard



### B4DEBB

B4D12EBB  
 B4D15EBB  
 B4D18EBB  
 B4D21EBB  
 B4D24EBB  
 B4D27EBB

# Base Cabinets

	C0	C1	C2	C4	C4A	C5	C7	C7A	C9	C9A	C10	C10A	C11	C12	C12A	C13	C13A	C14	C15	C16	
<b>BASE 4-DRAWER</b>																					
B4D12	589	663	741	929	929	1091	777	777	887	887	777	777	887	887	887	929	929	1013	1180	1372	
B4D15	633	714	799	1021	1021	1199	860	860	975	975	860	860	975	975	975	1021	1021	1114	1301	1513	
B4D18	677	763	855	1114	1114	1309	941	941	1063	1063	941	941	1063	1063	1063	1114	1114	1216	1420	1652	
B4D21	719	812	911	1204	1204	1416	1023	1023	1150	1150	1023	1023	1150	1150	1150	1204	1204	1314	1537	1789	
B4D24	762	862	967	1297	1297	1526	1104	1104	1238	1238	1104	1104	1238	1238	1238	1297	1297	1416	1655	1928	
B4D27	806	911	1023	1391	1391	1635	1186	1186	1326	1326	1186	1186	1326	1326	1326	1391	1391	1518	1774	2067	
B4D30	848	960	1080	1481	1481	1743	1267	1267	1413	1413	1267	1267	1413	1413	1413	1481	1481	1618	1891	2205	
B4D33	890	1011	1136	1574	1574	1852	1348	1348	1501	1501	1348	1348	1501	1501	1501	1574	1574	1718	2010	2344	
B4D36	934	1060	1192	1665	1665	1962	1430	1430	1589	1589	1430	1430	1589	1589	1589	1665	1665	1820	2128	2481	

	C0	C1	C2	C4	C4A	C5	C7	C7A	C9	C9A	C10	C10A	C11	C12	C12A	C13	C13A	C14	C15	C16	
<b>BASE 4-DRAWER BREADBOARD</b>																					
B4D12BB	721	787	862	1068	1068	1253	901	901	1019	1019	901	901	1019	1019	1019	1068	1068	1165	1360	1582	
B4D15BB	789	860	941	1186	1186	1392	1004	1004	1131	1131	1004	1004	1131	1131	1131	1186	1186	1294	1511	1760	
B4D18BB	856	933	1021	1303	1303	1531	1109	1109	1243	1243	1109	1109	1243	1243	1243	1303	1303	1423	1662	1937	
B4D21BB	923	1004	1099	1421	1421	1671	1213	1213	1355	1355	1213	1213	1355	1355	1355	1421	1421	1552	1813	2113	
B4D24BB	990	1077	1177	1538	1538	1810	1316	1316	1467	1467	1316	1316	1467	1467	1467	1538	1538	1679	1964	2290	
B4D27BB	1058	1150	1257	1655	1655	1949	1421	1421	1579	1579	1421	1421	1579	1579	1579	1655	1655	1808	2115	2466	

	C0	C1	C2	C4	C4A	C5	C7	C7A	C9	C9A	C10	C10A	C11	C12	C12A	C13	C13A	C14	C15	C16	
<b>BASE 4-DRAWER - EXPOSED BB</b>																					
B4D12EBB	772	838	912	1121	1121	1318	951	951	1070	1070	951	951	1070	1070	1070	1121	1121	1223	1411	1643	
B4D15EBB	840	911	992	1238	1238	1457	1055	1055	1182	1182	1055	1055	1182	1182	1182	1238	1238	1352	1562	1820	
B4D18EBB	907	984	1072	1357	1357	1596	1160	1160	1294	1294	1160	1160	1294	1294	1294	1357	1357	1481	1713	1996	
B4D21EBB	974	1055	1150	1474	1474	1735	1264	1264	1406	1406	1264	1264	1406	1406	1406	1474	1474	1610	1864	2173	
B4D24EBB	1041	1128	1228	1591	1591	1874	1367	1367	1518	1518	1367	1367	1518	1518	1518	1591	1591	1738	2015	2349	
B4D27EBB	1109	1201	1308	1710	1710	2013	1472	1472	1630	1630	1472	1472	1630	1630	1630	1710	1710	1867	2166	2525	

# Base Cabinets

\* L or R required

\*\* LL, LR, RL or RR required

## BASE DOUBLE-ENTRY

- One 3/4" thick full depth adjustable shelf
- False drawer front on back side of cabinet

- Apply 2DF1 modification for two horizontal top drawers

### MODIFICATION LIMITS

Width 9" – 24"  
Height 22-1/2" – 46-1/2"  
Depth 12" – 30"

### MODIFICATION LIMITS

Width 18" – 36" (Inset: 21" min.)  
Height 22-1/2" – 46-1/2"  
Depth 12" – 30"

### MODIFICATION LIMITS

Width 36-1/4" – 48"  
Height 22-1/2" – 46-1/2"  
Depth 12" – 30"

#### BDE2DR2DWR

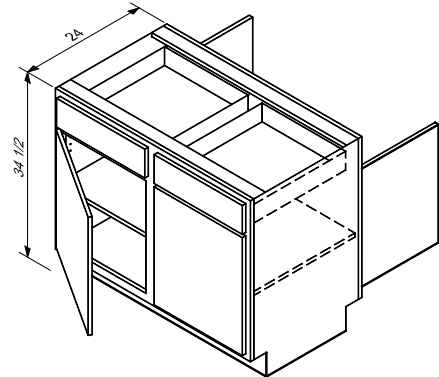
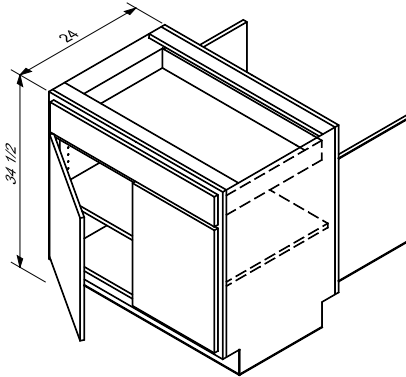
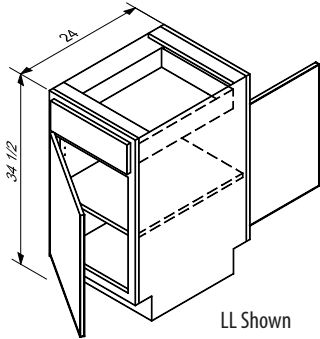
BDE12\*\*  
BDE15\*\*  
BDE18\*\*  
BDE21\*\*  
BDE24\*\*

#### BDE4DR2DWR

BDE24DD  
BDE27  
BDE30  
BDE33  
BDE36

#### BDE4DR4DWR

BDE39  
BDE42  
BDE45  
BDE48



## FULL BASE DOUBLE-ENTRY

- One 3/4" thick full depth adjustable shelf
- Full door(s) on back side of cabinet

### MODIFICATION LIMITS

Width 9" – 24"  
Height 16-1/2" – 46-1/2"  
Depth 9" – 30"

### MODIFICATION LIMITS

Width 18" – 36" (Inset: 21" min.)  
Height 16-1/2" – 46-1/2"  
Depth 9" – 30"

### MODIFICATION LIMITS

Width 36-1/4" – 48"  
Height 16-1/2" – 46-1/2"  
Depth 9" – 30"

#### FBDE2DR

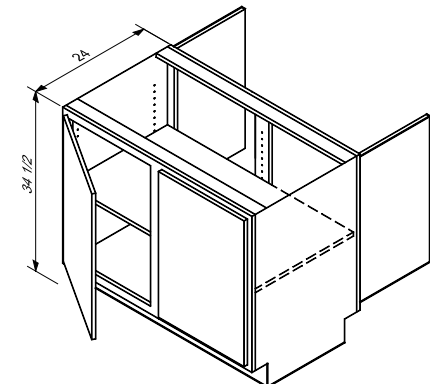
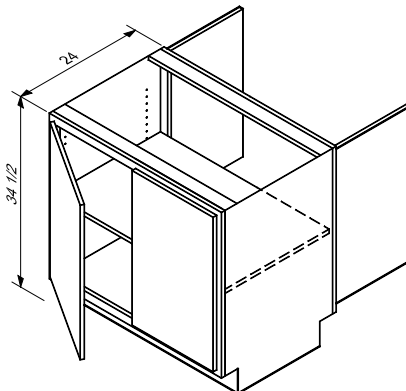
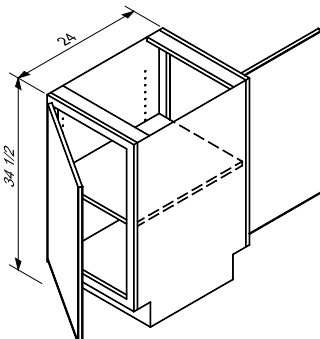
FBDE12\*\*  
FBDE15\*\*  
FBDE18\*\*  
FBDE21\*\*  
FBDE24\*\*

#### FBDE4DR

FBDE24DD  
FBDE27  
FBDE30  
FBDE33  
FBDE36

#### FBDE4DR

FBDE39  
FBDE42  
FBDE45  
FBDE48



# Base Cabinets

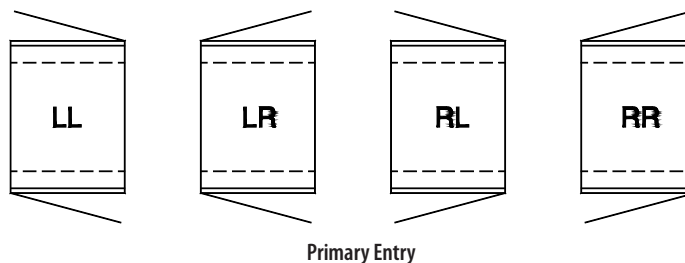
\* L or R required

\*\* LL, LR, RL or RR required

	C0	C1	C2	C4	C4A	C5	C7	C7A	C9	C9A	C10	C10A	C11	C12	C12A	C13	C13A	C14	C15	C16
<b>BASE DOUBLE-ENTRY</b>																				
BDE12**	495	604	717	948	948	1267	719	719	906	906	940	940	987	1029	1029	1079	1079	1177	1374	1599
BDE15**	524	648	777	1040	1040	1413	795	795	992	992	1029	1029	1102	1146	1146	1201	1201	1311	1531	1784
BDE18**	553	692	836	1130	1130	1555	872	872	1079	1079	1119	1119	1218	1262	1262	1323	1323	1443	1688	1966
BDE21**	580	736	895	1221	1221	1701	948	948	1165	1165	1209	1209	1333	1379	1379	1445	1445	1579	1845	2151
BDE24**	609	780	955	1314	1314	1844	1023	1023	1253	1253	1301	1301	1448	1494	1494	1567	1567	1711	2001	2334
BDE24DD	634	845	1053	1472	1472	2044	1152	1152	1404	1404	1496	1496	1570	1655	1655	1735	1735	1896	2218	2586
BDE27	663	889	1119	1565	1565	2190	1233	1233	1492	1492	1618	1618	1686	1772	1772	1859	1859	2030	2376	2771
BDE30	690	933	1184	1655	1655	2339	1313	1313	1579	1579	1740	1740	1801	1893	1888	1984	1979	2169	2539	2963
BDE33	719	977	1248	1747	1747	2490	1392	1392	1665	1665	1864	1864	1916	2015	2005	2113	2103	2310	2703	3155
BDE36	748	1021	1313	1837	1837	2644	1472	1472	1752	1752	1986	1986	2039	2139	2120	2244	2223	2452	2871	3351
BDE39	919	1240	1555	2147	2147	3027	1669	1669	2047	2047	2196	2196	2359	2447	2447	2568	2568	2807	3287	3838
BDE42	946	1282	1615	2237	2237	3172	1745	1745	2134	2134	2318	2318	2473	2563	2563	2688	2688	2939	3443	4020
BDE45	975	1326	1674	2329	2329	3316	1822	1822	2220	2220	2441	2441	2588	2680	2680	2812	2812	3075	3601	4204
BDE48	1002	1370	1733	2420	2420	3460	1896	1896	2307	2307	2564	2564	2703	2795	2795	2932	2932	3207	3757	4388

	C0	C1	C2	C4	C4A	C5	C7	C7A	C9	C9A	C10	C10A	C11	C12	C12A	C13	C13A	C14	C15	C16
<b>FULL BASE DOUBLE-ENTRY</b>																				
FBDE12**	466	578	678	863	863	1204	714	714	824	824	875	875	931	979	979	1024	1024	1118	1304	1518
FBDE15**	492	624	743	950	950	1357	795	795	907	907	997	997	1053	1102	1102	1155	1155	1260	1472	1715
FBDE18**	517	670	807	1040	1040	1509	875	875	992	992	1119	1119	1174	1225	1225	1284	1284	1401	1637	1906
FBDE21**	543	716	873	1126	1126	1660	955	955	1075	1075	1243	1243	1296	1347	1347	1411	1411	1542	1801	2100
FBDE24**	570	763	938	1214	1214	1815	1035	1035	1158	1158	1304	1304	1418	1470	1470	1542	1542	1684	1969	2295
FBDE24DD	597	838	1052	1392	1392	2034	1119	1119	1328	1328	1365	1365	1552	1647	1647	1727	1727	1886	2206	2573
FBDE27	622	884	1111	1481	1481	2188	1196	1196	1413	1413	1470	1470	1674	1771	1771	1857	1857	2028	2374	2770
FBDE30	648	929	1170	1569	1569	2332	1272	1272	1496	1496	1577	1577	1794	1888	1888	1979	1979	2164	2532	2954
FBDE33	675	977	1230	1655	1655	2478	1347	1347	1579	1579	3378	1682	1906	2005	2005	2103	2103	2298	2690	3139
FBDE36	700	1016	1289	1745	1745	2620	1423	1423	1664	1664	1788	1788	2039	2120	2120	2223	2223	2430	2846	3321
FBDE39	814	1157	1465	1925	1925	2905	1637	1637	1835	1835	2069	2069	2247	2349	2349	2464	2464	2693	3155	3682
FBDE42	840	1202	1531	2011	2011	3058	1718	1718	1918	1918	2174	2174	2369	2471	2471	2591	2591	2834	3319	3875
FBDE45	865	1250	1596	2100	2100	3209	1798	1798	2001	2001	2279	2279	2491	2593	2593	2720	2720	2975	3484	4067
FBDE48	890	1296	1660	2186	2186	3360	1877	1877	2084	2084	2385	2385	2612	2715	2715	2849	2849	3116	3650	4262

## Single Door BDE & FBDE Hinging



# Base Cabinets

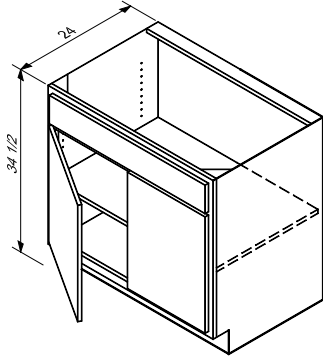
## BASE COOKTOP

- Full 1/2" thick back
- One 3/4" thick full depth adjustable shelf

- Apply ITO mod. for tip-out tray
- Apply 2FF mod. for two horizontal fronts

### MODIFICATION LIMITS

Width 18" – 36" (Inset: 21" min.)  
 Height 22-1/2" – 46-1/2"  
 Depth 9" – 30"

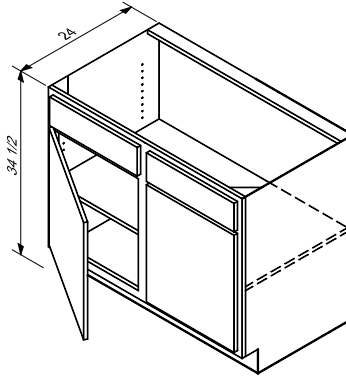


### BCT2DR1FF

BCT30  
 BCT33  
 BCT36

### MODIFICATION LIMITS

Width 36-1/4" – 48"  
 Height 22-1/2" – 46-1/2"  
 Depth 9" – 30"



### BCT2DR2FF

BCT39  
 BCT42  
 BCT45  
 BCT48

	C0	C1	C2	C4	C4A	C5	C7	C7A	C9	C9A	C10	C10A	C11	C12	C12A	C13	C13A	C14	C15	C16
<b>BASE COOKTOP</b>																				
<b>BCT30</b>	463	573	680	909	909	1279	717	717	868	868	902	902	1011	1040	1040	1089	1089	1189	1387	1615
<b>BCT33</b>	485	602	716	962	962	1357	760	760	918	918	960	960	1070	1102	1102	1155	1155	1260	1472	1715
<b>BCT36</b>	505	631	751	1011	1011	1416	802	802	965	965	1019	1019	1118	1150	1150	1204	1204	1314	1537	1789
<b>BCT39</b>	568	717	860	1136	1136	1467	901	901	1084	1084	1140	1140	1157	1191	1191	1248	1248	1362	1591	1854
<b>BCT42</b>	589	746	895	1187	1187	1535	943	943	1133	1133	1199	1199	1209	1245	1245	1304	1304	1425	1664	1939
<b>BCT45</b>	611	773	929	1236	1236	1626	985	985	1180	1180	1258	1258	1282	1319	1319	1382	1382	1509	1766	2057
<b>BCT48</b>	631	802	965	1287	1287	1730	1028	1028	1228	1228	1318	1318	1362	1403	1403	1470	1470	1606	1877	2188

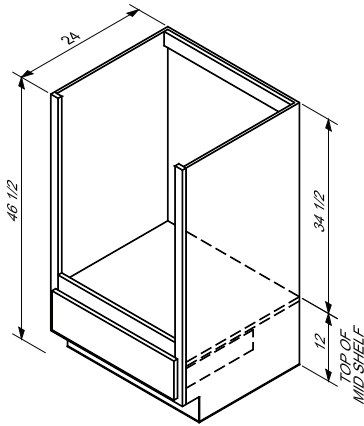


# Base Cabinets

## BASE RAISED DISHWASHER CABINET

### MODIFICATION LIMITS

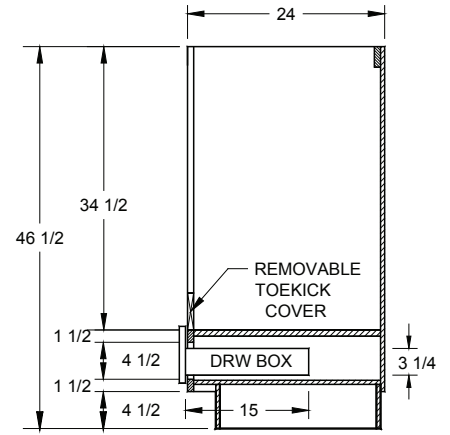
Width 12" – 33"  
 Height No Height Mods  
 Depth 24" – 30"



BRDW1DWR  
 BRDW27  
 BRDW33

- Raises dishwasher 12" above floor
- Removable dishwasher toekick cover is trimmable and secured with magnetic clips

- Drawer is 15" deep to allow for plumbing behind drawer
- One 3/4" thick fixed shelf above drawer



	C0	C1	C2	C4	C4A	C5	C7	C7A	C9	C9A	C10	C10A	C11	C12	C12A	C13	C13A	C14	C15	C16
<b>RAISED DISHWASHER CABINET</b>																				
<b>BRDW27</b>	826	941	941	941	941	941	941	941	941	941	941	941	941	941	941	941	941	1094	1094	941
<b>BRDW33</b>	1009	1150	1150	1150	1150	1150	1150	1150	1150	1150	1150	1150	1150	1150	1150	1150	1150	1303	1303	1150

# Base Cabinets

## BASE DOWNDRAFT

- Full 1/2" thick back
- One 3/4" thick half-depth adjustable shelf
- Center vertical divider is removable from front side of cabinet interior

- Area behind center divider is enlarged when depth is increased
- Apply ITO modification for tip-out tray

### MODIFICATION LIMITS

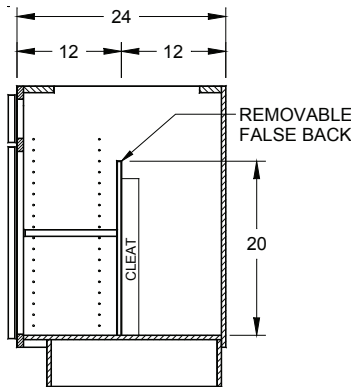
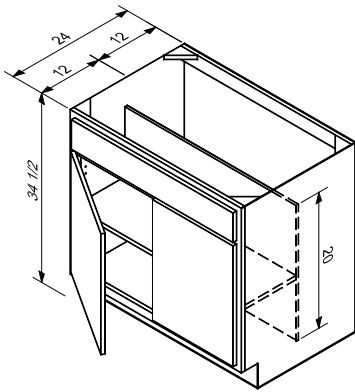
Width 18" – 36" (Inset: 21" min.)  
 Height 22-1/2" – 46-1/2"  
 Depth 24" – 30"

### MODIFICATION LIMITS

Width 36-1/4" – 48"  
 Height 22-1/2" – 46 1/2"  
 Depth 24" – 30"

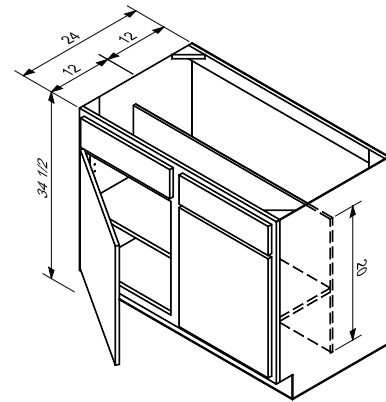
#### BDD2DR1FF

BDD30  
 BDD33  
 BDD36



#### BDD2DR2FF

BDD39  
 BDD42  
 BDD45  
 BDD48



## BASE REVERSE RANGE

- Full 1/2" thick back
- No adjustable shelves

- Do not use with downdraft cooktop

### MODIFICATION LIMITS

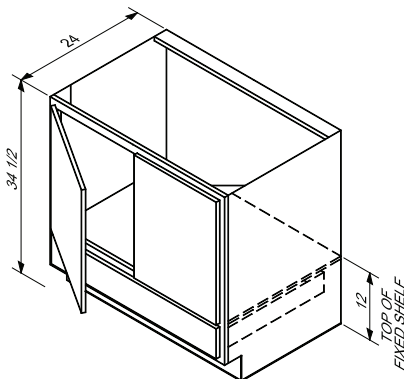
Width 18" – 36" (Inset: 21" min.)  
 Height 22-1/2" – 46-1/2"  
 Depth 12" – 30"

### MODIFICATION LIMITS

Width 36-1/4" – 48"  
 Height 22-1/2" – 46-1/2"  
 Depth 12" – 30"

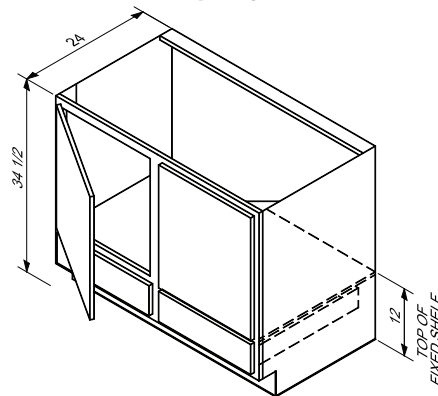
#### BRR2DR1DWR

BRR30  
 BRR33  
 BRR36



#### BRR2DR2DWR

BRR39  
 BRR42  
 BRR45  
 BRR48



# Base Cabinets

	C0	C1	C2	C4	C4A	C5	C7	C7A	C9	C9A	C10	C10A	C11	C12	C12A	C13	C13A	C14	C15	C16
<b>BASE DOWNDRAFT</b>																				
<b>BDD30</b>	504	626	743	996	996	1403	784	784	950	950	987	987	1092	1138	1138	1194	1194	1303	1521	1771
<b>BDD33</b>	529	658	782	1052	1052	1487	831	831	1004	1004	1052	1052	1162	1208	1208	1265	1265	1382	1615	1881
<b>BDD36</b>	551	689	821	1107	1107	1554	877	877	1057	1057	1116	1116	1230	1260	1260	1321	1321	1442	1686	1964
<b>BDD39</b>	594	741	885	1196	1196	1679	946	946	1141	1141	1204	1204	1328	1362	1362	1428	1428	1557	1822	2123
<b>BDD42</b>	634	795	950	1284	1284	1805	1014	1014	1225	1225	1294	1294	1426	1462	1462	1533	1533	1674	1959	2283
<b>BDD45</b>	677	848	1014	1372	1372	1930	1084	1084	1309	1309	1382	1382	1525	1564	1564	1640	1640	1789	2095	2442
<b>BDD48</b>	719	902	1079	1460	1460	2056	1153	1153	1392	1392	1472	1472	1623	1664	1664	1745	1745	1906	2232	2602

	C0	C1	C2	C4	C4A	C5	C7	C7A	C9	C9A	C10	C10A	C11	C12	C12A	C13	C13A	C14	C15	C16
<b>BASE REVERSE RANGE</b>																				
<b>BRR30</b>	568	673	777	1016	1016	1409	807	807	970	970	999	999	1102	1145	1145	1199	1199	1309	1530	1781
<b>BRR33</b>	594	704	816	1070	1070	1492	851	851	1021	1021	1062	1062	1169	1211	1211	1269	1269	1386	1618	1884
<b>BRR36</b>	617	736	855	1124	1124	1576	897	897	1074	1074	1124	1124	1235	1279	1279	1340	1340	1464	1710	1991
<b>BRR39</b>	717	858	997	1289	1289	1793	1029	1029	1230	1230	1280	1280	1411	1453	1453	1523	1523	1664	1945	2268
<b>BRR42</b>	743	890	1036	1342	1342	1876	1074	1074	1280	1280	1343	1343	1477	1520	1520	1593	1593	1740	2035	2373
<b>BRR45</b>	767	921	1074	1396	1396	1959	1119	1119	1331	1331	1404	1404	1543	1587	1587	1664	1664	1818	2127	2480
<b>BRR48</b>	792	953	1113	1450	1450	2042	1165	1165	1384	1384	1467	1467	1610	1654	1654	1733	1733	1894	2217	2585

# Base Cabinets

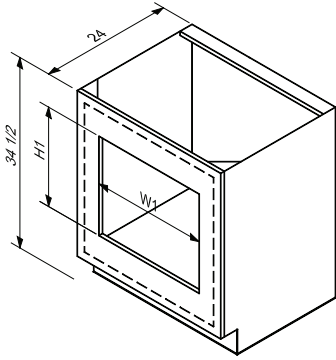
## BASE OVENS

### MODIFICATION LIMITS

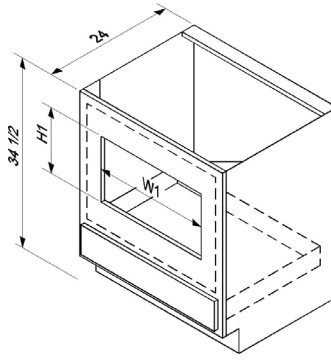
Width 24" – 36"  
 Height No Height Mods  
 Depth 12" – 30"

- Full 1/2" thick back
- Apply 2DF1 mod. for two horizontal drawers
- Standard opening will be minimum cutout dimensions (see charts below)
- Cutouts are centered vertically and horizontally
- Wide stiles and rails construction allows opening size to be enlarged in field
- Removal of screws from back side of frame may

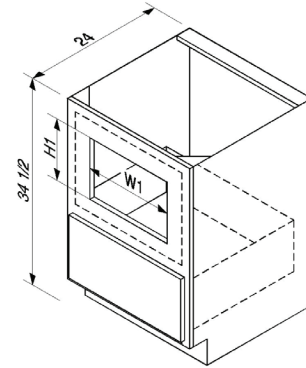
- be required before cutting
- Oven shelf and cleats are tacked to exterior cabinet end for field install
- Custom factory cutouts are available, apply Custom Cutout Modification. See pg M-16 for CC1 specs and pricing. Minimum and maximum cutout dimensions listed below.



BOV  
BOV(width)



BOVD  
BOVD(width)



BOVD  
BOVD(width)

BASE OVEN		
Opening	Existing & Min. Cutout	Max. Cutout
W1 (width)	Cab. Width - 9"	Cab. Width - 3"
H1 (height)	18"	27-1/4"

BASE OVEN WITH DRAWER		
Opening	Existing & Min. Cutout	Max. Cutout
W1 (width)	Cab. Width - 9"	Cab. Width - 3"
H1 (height)	12"	21"

BASE OVEN WITH 1 DEEP DRAWER		
Opening	Existing & Min. Cutout	Max. Cutout
W1 (width)	Cab. Width - 9"	Cab. Width - 3"
H1 (height)	9-3/4"	15-3/4"

Cabinet	Drawer Opening Height	Drawer Front Height
BOVD	4-1/2"	5-7/16"
BOVD	9-3/4"	*10-11/16"

\*Same as bottom drawer of B3D cabinet

	C0	C1	C2	C4	C4A	C5	C7	C7A	C9	C9A	C10	C10A	C11	C12	C12A	C13	C13A	C14	C15	C16
<b>BASE OVEN</b>																				
BOV24	700	700	700	733	733	700	700	700	700	700	700	700	700	700	700	733	733	700	700	700
BOV27	721	721	721	755	755	721	721	721	721	721	721	721	721	721	721	755	755	721	721	721
BOV30	743	743	743	778	778	743	743	743	743	743	743	743	743	743	743	778	778	743	743	743
BOV33	765	765	765	801	801	765	765	765	765	765	765	765	765	765	765	801	801	765	765	765
BOV36	829	829	829	868	868	829	829	829	829	829	829	829	829	829	829	868	868	829	829	829
<b>BASE OVEN W/ DRAWER</b>																				
BOVD24	823	843	851	916	916	1075	873	873	875	875	873	873	875	875	875	916	916	999	955	1109
BOVD27	850	870	879	946	946	1111	904	904	904	904	904	904	904	904	904	946	946	1031	996	1157
BOVD30	875	895	906	982	982	1152	934	934	936	936	934	934	936	936	936	982	982	1070	1036	1204
BOVD33	901	923	934	1014	1014	1191	965	965	968	968	965	965	968	968	968	1014	1014	1106	1079	1253
BOVD36	979	1002	1016	1102	1102	1294	1048	1048	1052	1052	1048	1048	1052	1052	1052	1102	1102	1202	1172	1364
<b>BASE OVEN W/ DEEP DRAWER</b>																				
BOVD24	916	946	960	1033	1033	1128	977	977	990	990	1004	1004	980	918	918	958	958	1045	1018	1182
BOVD27	948	979	992	1077	1077	1213	1014	1014	1029	1029	1035	1035	1018	985	985	1031	1031	1124	1106	1286
BOVD30	980	1011	1024	1121	1121	1297	1052	1052	1068	1068	1065	1065	1055	1053	1053	1104	1104	1204	1194	1389
BOVD33	1014	1045	1058	1162	1162	1342	1089	1089	1109	1109	1096	1096	1092	1089	1089	1141	1141	1245	1245	1442
BOVD36	1048	1079	1092	1202	1202	1386	1126	1126	1150	1150	1126	1126	1130	1124	1124	1179	1179	1286	1296	1494

### CUSTOM CUTOUT MODIFICATION (CC1)

- Specify opening width (W1) and height (H1)
- Rails above and below opening are made equal height

CC1	MSRP
CC1	382

# Base Cabinets

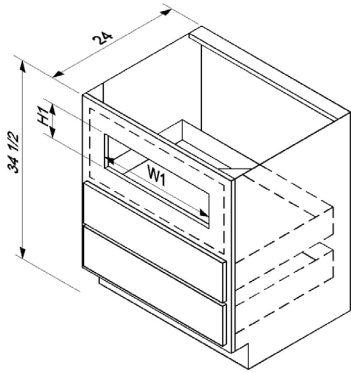
## BASE WARMING DRAWER

### MODIFICATION LIMITS

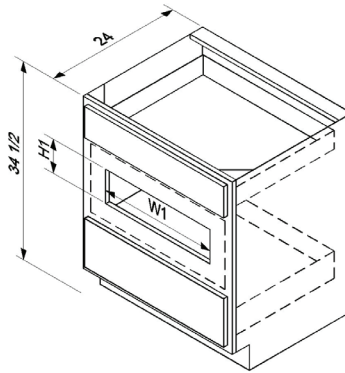
Width 24" – 39"  
 Height No Height Mods  
 Depth 12" – 30"

- Full 1/2" thick back
- Apply 2DF1 mod. for two horizontal drawers
- Standard opening will be minimum cutout dimensions (see charts below)
- Cutouts are centered vertically and horizontally
- Wide stiles and rails construction allows opening size to be enlarged in field

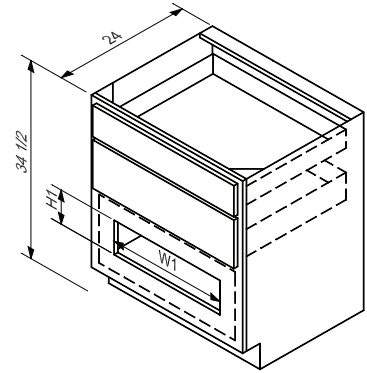
- Removal of screws from back side of frame may be required before cutting
- Oven shelf and cleats are tacked to exterior cabinet end for field install
- Custom factory cutouts are available, apply Custom Cutout Modification. See pg M-16 for CC1 specs and pricing. Minimum and maximum cutout dimensions listed below.



**BWDT2DWR**  
BWDT(width)



**BWDM2DWR**  
BWDM(width)



**BWDB2DWR**  
BWDB(width)

### BASE WARMING DRAWER (T, M & B)

Opening	Existing & Min. Cutout	Max. Cutout
W1 (width)	Cab. Width - 9"	Cab. Width - 3"
H1 (height)	6"	12"

Cabinet	Top Drawer Opening Height	Bottom Drawer Opening Height
BWDT	6"	6"
BWD: M,B	4-1/2"	7-1/2"

	C0	C1	C2	C4	C4A	C5	C7	C7A	C9	C9A	C10	C10A	C11	C12	C12A	C13	C13A	C14	C15	C16
<b>WARMING DRAWER - TOP</b>																				
BWDT27	948	979	992	1077	1077	1213	1014	1014	1029	1029	1035	1035	1018	985	985	1031	1031	1124	1106	1286
BWDT30	980	1011	1024	1121	1121	1297	1052	1052	1068	1068	1065	1065	1055	1053	1053	1104	1104	1204	1194	1389
BWDT33	1014	1045	1058	1162	1162	1342	1089	1089	1109	1109	1096	1096	1092	1089	1089	1141	1141	1245	1240	1442
<b>WARMING DRAWER - MIDDLE</b>																				
BWDM27	948	979	992	1077	1077	1213	1014	1014	1029	1029	1035	1035	1018	985	985	1031	1031	1124	1106	1286
BWDM30	980	1011	1024	1121	1121	1297	1052	1052	1068	1068	1065	1065	1055	1053	1053	1104	1104	1204	1194	1389
BWDM33	1014	1045	1058	1162	1162	1342	1089	1089	1109	1109	1096	1096	1092	1089	1089	1141	1141	1245	1240	1442
<b>WARMING DRAWER - BOTTOM</b>																				
BWDB27	948	979	992	1077	1077	1213	1014	1014	1029	1029	1035	1035	1018	985	985	1031	1031	1124	1106	1286
BWDB30	980	1011	1024	1121	1121	1297	1052	1052	1068	1068	1065	1065	1055	1053	1053	1104	1104	1204	1194	1389
BWDB33	1014	1045	1058	1162	1162	1342	1089	1089	1109	1109	1096	1096	1092	1089	1089	1141	1141	1245	1240	1442

### CUSTOM CUTOUT MODIFICATION (CC1)

- Specify opening width (W1) and height (H1)
- Rails above and below opening are made equal height

CC1	MSRP
	382

# Base Cabinets

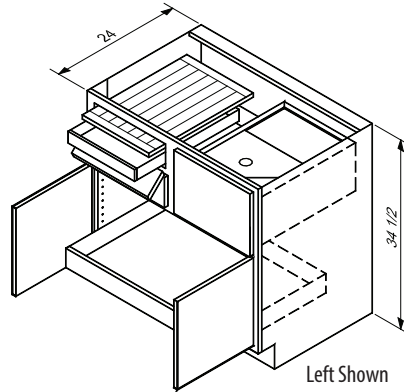
## BASE BAKE CENTER

### MODIFICATION LIMITS

Width	No Width Mods
Height	29-1/4" – 46-1/2"
Depth	No Depth Mods

- Right or Left determined by side with breadboard
- 3-1/4" tall adjustable dovetailed hardwood roll-out
- Top drawer front flips down to allow access to breadboard and shallow drawer
- Sliding bread drawer cover is white plastic

- Drawer opening heights: (2) 4-1/2" and (1) 10-1/2"
- Doors: 16" H
- Height modification comes from door opening
- **Note:** BBC42 and BBC48 comes w/floating center mullion attached to left-hand door



### BBC

- BBC30\*
- BBC36\*
- BBC42\*
- BBC48\*

	C0	C1	C2	C4	C4A	C5	C7	C7A	C9	C9A	C10	C10A	C11	C12	C12A	C13	C13A	C14	C15	C16
BBC30*	1576	1745	1782	1944	1944	2420	1859	1859	1854	1854	1947	1947	1900	1957	1957	2054	2054	2244	2407	2807
BBC36*	1667	1847	1894	2112	2112	2615	2010	2010	2013	2013	2088	2088	2054	2115	2115	2218	2218	2425	2637	3077
BBC42*	1801	1994	2049	2244	2244	2844	2140	2140	2139	2139	2286	2286	2232	2300	2300	2413	2413	2637	2932	3423
BBC48*	1939	2147	2210	2481	2481	3105	2363	2363	2366	2366	2480	2480	2437	2510	2510	2634	2634	2880	3209	3746

# Base Cabinets

\* L or R required

## BASE MICROWAVE

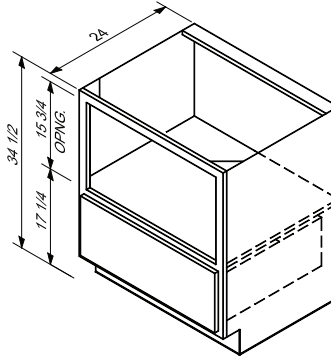
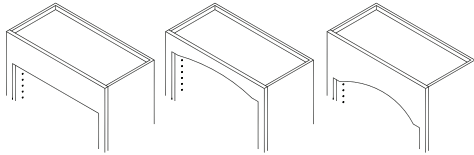
### MODIFICATION LIMITS

Width 12" – 36"  
 Height 29-1/4" – 46-1/2"  
 Depth 12" – 30"

- Full 1/2" thick back
- Drawer opening height: 9-3/4"
- Inside of frame opening has eased edge
- Finished interior (FMI)
- Opening width: 3" less than cabinet width

- Height reductions (RH) come from drawer
- Height increases (IH) are added to opening
- Apply 2DF1 modification for two horizontal drawers

### Optional Top Rail Valances (See Modification section)



BM  
 BM24  
 BM27  
 BM30  
 BM33  
 BM36

	C0	C1	C2	C4	C4A	C5	C7	C7A	C9	C9A	C10	C10A	C11	C12	C12A	C13	C13A	C14	C15	C16
BM24	987	1011	1026	1145	1145	1345	1085	1085	1092	1092	1085	1085	1092	1092	1092	1145	1145	1248	1255	1459
BM27	1028	1052	1068	1197	1197	1408	1136	1136	1143	1143	1136	1136	1143	1143	1143	1197	1197	1308	1326	1543
BM30	1075	1102	1119	1270	1270	1492	1197	1197	1213	1213	1197	1197	1213	1213	1213	1270	1270	1386	1414	1647
BM33	1116	1143	1162	1323	1323	1557	1248	1248	1262	1262	1248	1248	1262	1262	1262	1323	1323	1445	1487	1732
BM36	1213	1243	1264	1438	1438	1694	1357	1357	1372	1372	1357	1357	1372	1372	1372	1438	1438	1572	1618	1884

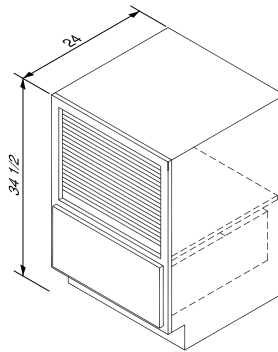
## BASE APPLIANCE GARAGE

### MODIFICATION LIMITS

Width 15" – 36"  
 Height No Height Mods  
 Depth 18" – 30"

- Opening height 12-3/4" when tambour door is raised
- Height of tambour section: 18"
- Drawer opening height: 9-3/4"

- Drawer front height: Modified overlay is 10-11/16" and Inset is 9-9/16" (matches bottom drawers of B3D cabinets)



### BAG1D

BAG15      BAG27  
 BAG18      BAG30  
 BAG21      BAG33  
 BAG24      BAG36

	C0	C1	C2	C4	C4A	C5	C7	C7A	C9	C9A	C10	C10A	C11	C12	C12A	C13	C13A	C14	C15	C16
BAG15	975	997	1031	1196	1196	1296	1040	1040	1124	1124	1023	1023	1124	1124	1124	1196	1196	1250	1338	1489
BAG18	1052	1070	1102	1291	1291	1403	1123	1123	1214	1214	1106	1106	1214	1214	1214	1291	1291	1352	1440	1601
BAG21	1126	1141	1175	1384	1384	1508	1202	1152	1303	1303	1187	1187	1303	1303	1303	1384	1384	1452	1540	1713
BAG24	1204	1216	1247	1477	1477	1613	1287	1287	1389	1389	1270	1270	1389	1389	1389	1477	1477	1552	1640	1823
BAG27	1280	1291	1319	1574	1574	1720	1370	1370	1479	1479	1353	1353	1479	1479	1479	1574	1574	1654	1742	1935
BAG30	1357	1364	1392	1669	1669	1823	1452	1452	1567	1567	1437	1437	1567	1567	1567	1669	1669	1754	1842	2045
BAG33	1433	1437	1462	1760	1760	1928	1533	1533	1654	1654	1516	1516	1654	1654	1654	1760	1760	1854	1942	2157
BAG36	1509	1509	1535	1855	1855	2034	1616	1616	1742	1742	1599	1599	1742	1742	1742	1855	1855	1954	2042	2268

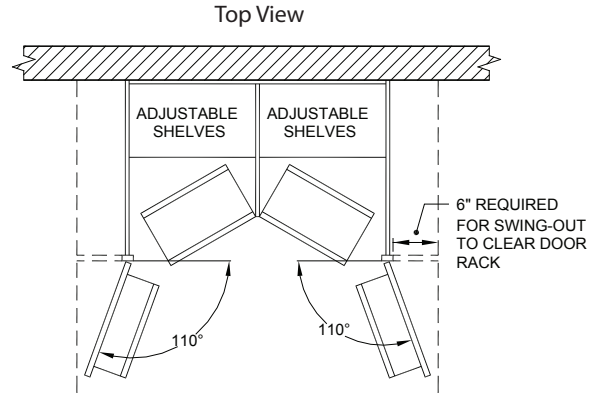
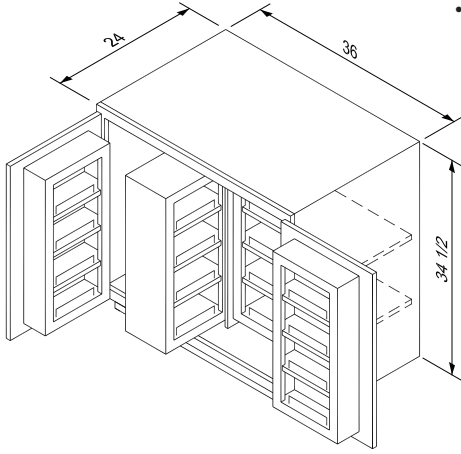
# Base Cabinets

## FULL BASE SWING-OUT SHELF PANTRY

### MODIFICATION LIMITS

No Modifications

- Swing-out shelves and door storage are solid 1/2" thick plywood with natural finish
- Two swing-out pantry racks: 12" W x 25" H x 7-1/2" D with adjustable shelves & chrome rails
- Two door storage racks: 12" W x 25" H x 4" D with adjustable shelves, chrome rails and adjustable door mount brackets
- Four adjustable shelves (behind pantry racks)
- **Design Note:** Allow a minimum of 6" from edge of cabinet to an adjacent wall or object for swing-out shelves to clear door rack when opened

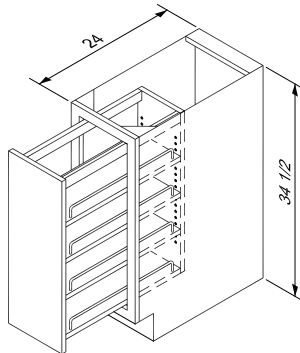


FBSOS__	C0	C1	C2	C4	C4A	C5	C7	C7A	C9	C9A	C10	C10A	C11	C12	C12A	C13	C13A	C14	C15	C16
FBSOS36	2400	2510	2625	2870	2870	3317	2668	2668	2826	2826	2887	2887	3007	3053	3053	3107	3107	3217	3438	3689

## FULL BASE PANTRY PULL-OUT

### MODIFICATION LIMITS

Width No Width Mods  
 Height No Height Mods  
 Depth 24" – 30" (Applied to cabinet only)



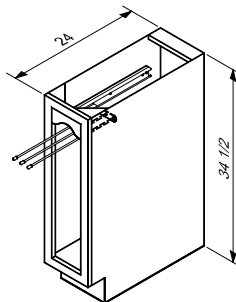
- Three adjustable shelves with chrome rails
- Plywood construction with natural finish
- Soft-close undermount guides
- Pull-out dimensions: 5-1/2", 8-1/2" or 11-1/2" W x 25-1/2" H x 21-3/4" D
- Allow clearance adjacent to pull-out for hardware, appliances, and wall mouldings when pull-out is extended

FBPP1DR	C0	C1	C2	C4	C4A	C5	C7	C7A	C9	C9A	C10	C10A	C11	C12	C12A	C13	C13A	C14	C15	C16
FBPP09	950	1050	1063	1152	1152	1399	1094	1094	1099	1099	1119	1119	1104	1136	1136	1191	1191	1299	1270	1477
FBPP12	997	1102	1121	1213	1213	1501	1152	1152	1157	1157	1201	1201	1184	1219	1219	1277	1277	1394	1399	1628
FBPP15	1235	1365	1389	1504	1504	1864	1428	1428	1433	1433	1489	1489	1469	1513	1513	1584	1584	1730	1737	2023

## BASE OPEN TOWEL RACK

### MODIFICATION LIMITS

Width No Width Mods  
 Height 29-1/4" – 46-1/2"  
 Depth 24" – 30"



- Finished interior (FMI)
- Inside of frame opening has eased edge
- Arch is recessed 1/8" from front of frame
- Three-pronged chrome pull-out mounted on left side, extends approximately 12" from cabinet face

BOTR	MSRP
BOTR09A	858



# Base Cabinets

\* L or R required

## BASE FILLER PULL-OUT ORGANIZERS

### FILLER PULL-OUTS:

- Designed to fit between two cabinets
- Callout width = space required to install between cabinets
- Plywood with natural wood finish
- Filler face is flush with frames of adjacent cabinets
- (S) Square edge detail on all four sides
- When installed, 1/16" reveal on each side
- Soft-close undermount guides mounted to top and bottom of pull-out

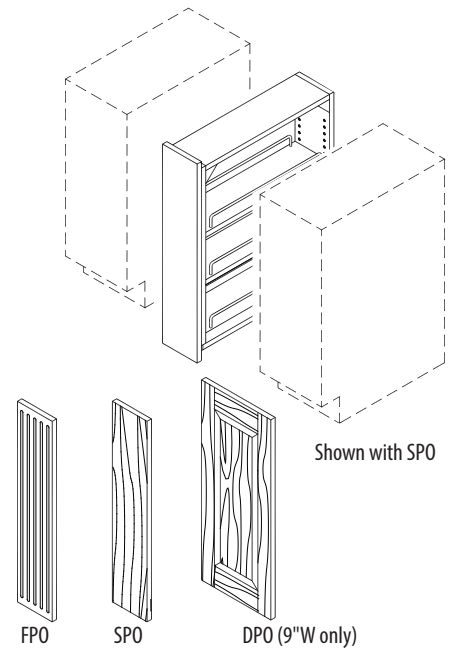
### OPTIONAL PLANT-ON MODELS:

- Fluted (FPO) and Solid (SPO) are for 3" or 6" widths
- Door (DPO) is available for 9" W only
- Plant-on height is same as full base height door
- Edge detail matches door style edge detail
- Plant-ons shipped loose

- 9" wide pull-out option is a door plant-on (DPO) instead of filler
- Install at jobsite

### INSTALL/DESIGN Notes:

- Knob or pull required (not included)
- Flush opening required when installed next to face frame construction (see Opt. 1 – 3 below)
  - Opt. 1: Install 3/8" thick x 3" W cleat directly behind pull-out hardware (Unfinished exterior of cabinets will be visible when unit is pulled out)
  - Opt. 2: Order 3/8" finished end panels (separately) and install on adjacent cabinets at jobsite (Order panels to match frame color or Maple/Natural to match pull-out shelves)
  - Opt. 3: Order adjacent cabinets with installed finished/flush ends



## BASE FILLER PULL-OUT SPICE RACK

- Includes chrome rails and two adjustable shelves

### MODIFICATION LIMITS

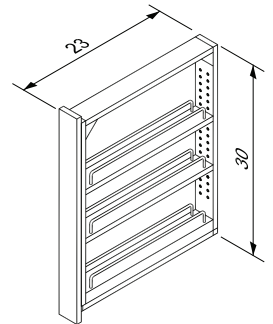
No Modifications

### Door styles not available:

Mount Vernon & Springwood  
(Slab door provided instead)

BFPS03_	MSRP	BFPS06_	MSRP
<b>BFPS03</b>	957	<b>BFPS06</b>	1160
<b>BFPS03-FPO</b>	1169	<b>BFPS06-FPO</b>	1372
<b>BFPS03-SPO</b>	1169	<b>BFPS06-SPO</b>	1372
BFPS09_		MSRP	
<b>BFPS09</b>	1391		

BFPS09-DPO Prices below



	C0	C1	C2	C4	C4A	C5	C7	C7A	C9	C9A	C10	C10A	C11	C12	C12A	C13	C13A	C14	C15	C16
<b>BFPS09-DPO</b>	-	1516	1516	1516	1516	1615	1516	1516	1516	1516	1570	1570	1554	1570	1570	1570	1570	1599	1635	1677

## BASE FILLER PULL-OUT STAINLESS STEEL

### MODIFICATION LIMITS

No Modifications

- Includes magnetic stainless steel panel and assortment of black accessory hooks and pegs
- 9" W pull-out also includes adjustable shelves with chrome rails
- See door styles not available above

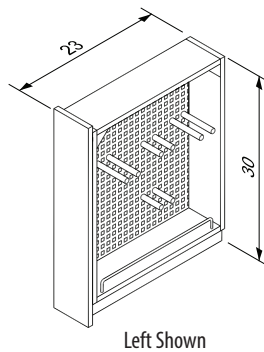
BFPS* (L/R)	MSRP
<b>BFPS06*</b>	1525
<b>BFPS06-FPO*</b>	1737
<b>BFPS06-SPO*</b>	1737

\*Specify L or R orientation

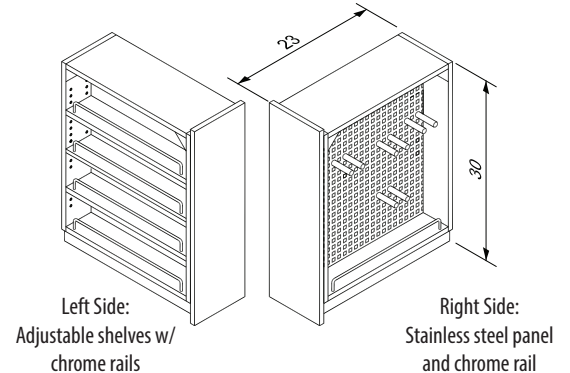
BFPS	MSRP
<b>BFPS09</b>	1847

BFPS09-DPO Prices below

### Stainless Steel - 6"



### Stainless Steel - 9"



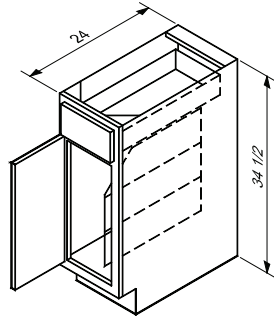
	C0	C1	C2	C4	C4A	C5	C7	C7A	C9	C9A	C10	C10A	C11	C12	C12A	C13	C13A	C14	C15	C16
<b>BFPS09-DPO</b>	1974	1974	1974	1974	1974	2073	1974	1974	1974	1974	2027	2027	2011	2027	2027	2027	2027	2056	2093	2134

## BASE TRAY

- 18" H x 20" D evenly spaced chrome tray dividers
- Number of dividers depends on cabinet width

### MODIFICATION LIMITS

Width 9" – 18"  
 Height 34-1/2" – 46-1/2"  
 Depth 24" – 30"



### BT1DR1DWR

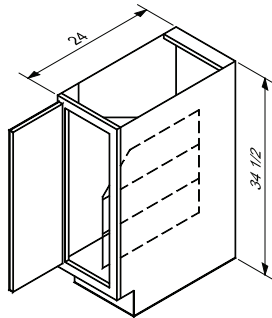
BT09\* (1-divider)  
 BT12\* (1-divider)  
 BT15\* (2-dividers)

## FULL BASE TRAY

- See notes above

### MODIFICATION LIMITS

Width \*6" – 18"  
 Height 28-1/2" – 46-1/2"  
 Depth 24" – 30"  
 Cabinets < 9" wide will not have tray dividers



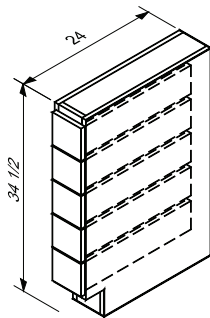
### FBT1DR

FBT09\* (1-divider)  
 FBT12\* (1-divider)  
 FBT15\* (2-dividers)

## BASE APOTHECARY DRAWER

### MODIFICATION LIMITS

Width 6" – 9"  
 Height No Height Mods  
 Depth 12" – 30"



- Finished ends and interior
- Slab fronts with horizontal grain
- Requires knobs or pulls
- 3/4" sides and 1-1/4" top and bottom rail
- Modified and Traditional Overlay styles: reveals are 1/4" on sides and between drawers, 1" on top and bottom

- Drawer fronts are equal in height
- Drawer boxes are friction fit, hardwood dovetail (HDWDR) and are 3" less than cabinet depth
- Drawer boxes in cabinets 6-1/2" W or less use rabbeted joint construction
- **Not available:** DFMD option

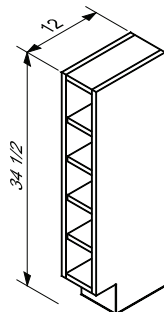
### BAD

BAD06  
 BAD09

## BASE OPEN CUBBYHOLE

### MODIFICATION LIMITS

Width 6" – 12"  
 Height No Height Mods  
 Depth 12" – 24"



- 3/4" frameless construction
- Finished ends and interior

- Openings are 4-1/2" W
- Three middle openings are 5-1/8" H
- Top and bottom openings are 5-1/16" H

### BOCH

BOCH06

# Base Cabinets

\* L or R required

	C0	C1	C2	C4	C4A	C5	C7	C7A	C9	C9A	C10	C10A	C11	C12	C12A	C13	C13A	C14	C15	C16	
<b>BASE TRAY</b>																					
<b>BT09*</b>	395	432	480	594	594	755	465	465	568	568	589	589	597	617	617	646	646	702	817	948	
<b>BT12*</b>	416	461	517	648	648	838	509	509	619	619	641	641	661	683	683	716	716	778	906	1052	
<b>BT15*</b>	439	492	555	702	702	919	555	555	672	672	697	697	728	750	750	785	785	855	996	1157	
	C0	C1	C2	C4	C4A	C5	C7	C7A	C9	C9A	C10	C10A	C11	C12	C12A	C13	C13A	C14	C15	C16	
<b>FULL BASE TRAY</b>																					
<b>FBT09*</b>	336	356	387	487	487	639	383	383	466	466	483	483	504	524	524	548	548	595	690	799	
<b>FBT12*</b>	349	378	417	531	531	712	417	417	507	507	526	526	561	583	583	611	611	663	772	894	
<b>FBT15*</b>	365	402	448	573	573	787	455	455	548	548	568	568	619	643	643	673	673	733	851	987	
	C0	C1	C2	C4	C4A	C5	C7	C7A	C9	C9A	C10	C10A	C11	C12	C12A	C13	C13A	C14	C15	C16	
<b>BASE APOTHECARY DRAWER</b>																					
<b>BAD06</b>	1299	1370	1370	1370	1370	1370	1370	1370	1370	1370	1370	1370	1370	1370	1370	1370	1370	1370	1370	1370	
<b>BAD09</b>	1413	1518	1518	1518	1518	1518	1518	1518	1518	1518	1518	1518	1518	1518	1518	1518	1518	1518	1518	1518	
	C0	C1	C2	C4	C4A	C5	C7	C7A	C9	C9A	C10	C10A	C11	C12	C12A	C13	C13A	C14	C15	C16	
<b>BASE OPEN CUBBYHOLE</b>																					
<b>BOCH06</b>	974	974	974	1019	1019	974	974	974	974	974	974	974	974	974	974	1019	1019	974	974	974	

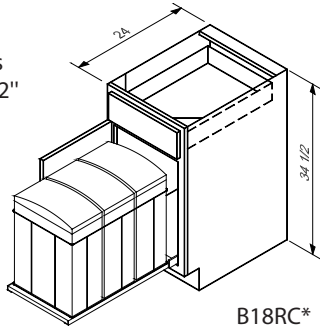
## BASE RECYCLE CENTER

- Includes three white plastic 20-quart bins with color-coded labels and hinged top

- Mounted on full-extension guides for easy removal of bins
- **Not available:** Inset or B18RC in mid-height

### MODIFICATION LIMITS

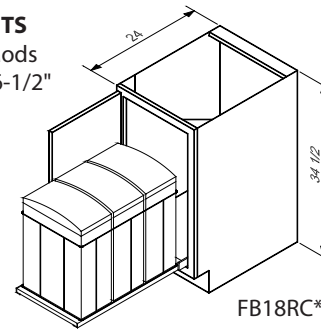
Width No Width Mods  
 Height 34-1/2" – 46-1/2"  
 Depth 24" – 30"



B18RC\*

### MODIFICATION LIMITS

Width No Width Mods  
 Height 29-1/4" – 46-1/2"  
 Depth 24" – 30"



FB18RC\*

	C0	C1	C2	C4	C4A	C5	C7	C7A	C9	C9A	C10	C10A	C11	C12	C12A	C13	C13A	C14	C15	C16
B18RC*	1338	1398	1460	1652	1652	2076	1464	1464	1576	1576	1637	1637	1659	1681	1681	1762	1762	1925	1939	2259
FB18RC*	1260	1306	1360	1494	1494	1952	1372	1372	1469	1469	1525	1525	1559	1581	1581	1657	1657	1810	1803	2101

## BASE TRASH PULL-OUT (TOP/BOTTOM MOUNT)

- Allow enough clearance from adjacent objects (hardware, appliances, wall moulding) to fully extend pull-out

- **Not available:** mid-heights

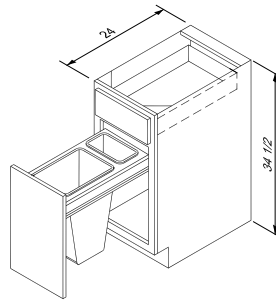
### MODIFICATION LIMITS

Width No Width Mods  
 Height No Height Mods  
 Depth 24" – 30" (Applied to cabinet only)

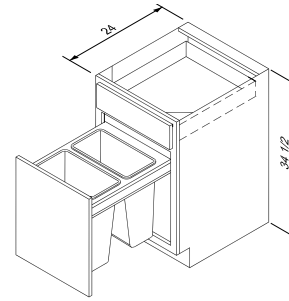
#### TOP MOUNT pull-outs:

Adjustable door mounting brackets, zinc full-extension, soft-close guides & silver colored trash bins

- B15STP: One 35 Qt. bin & one small bin
- B15DTP: Two 27 Qt. bins
- B18DTP: Two 35 Qt. bins



B\_STP

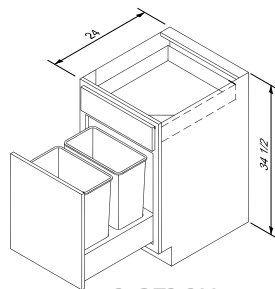


B\_DTP

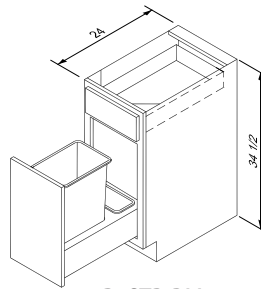
#### BOTTOM MOUNT pull-outs:

Bottom mounted with soft-close guides & silver colored trash bins

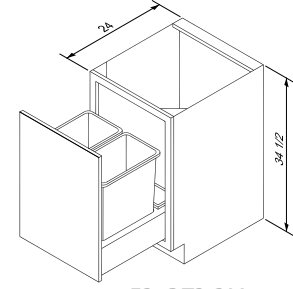
- B15STP-BM: One 35 Qt. bin
- B18DTP-BM: Two 35 Qt. bins
- FB21DTP-BM: Two 50 Qt. bins



B\_DTP-BM



B\_STP-BM



FB\_DTP-BM

	C0	C1	C2	C4	C4A	C5	C7	C7A	C9	C9A	C10	C10A	C11	C12	C12A	C13	C13A	C14	C15	C16
B15STP	1157	1209	1247	1394	1394	1616	1260	1260	1365	1365	1418	1418	1435	1455	1455	1489	1489	1555	1688	1840
B15DTP	1296	1348	1386	1533	1533	1755	1399	1399	1504	1504	1528	1528	1574	1594	1594	1628	1628	1694	1827	1979
B18DTP	1340	1399	1452	1610	1610	1861	1465	1465	1577	1577	1603	1603	1660	1682	1682	1720	1720	1793	1940	2108
B15STP-BM	1849	1901	1939	2086	2086	2308	1952	1952	2057	2057	2081	2081	2127	2147	2147	2181	2181	2247	2379	2532
B18DTP-BM	1986	2045	2098	2256	2256	2507	2112	2112	2223	2223	2249	2249	2307	2329	2329	2366	2366	2439	2586	2754
FB21DTP-BM	2074	2127	2188	2337	2337	2607	2206	2206	2308	2308	2330	2330	2415	2439	2439	2474	2474	2544	2683	2842

# Base Cabinets

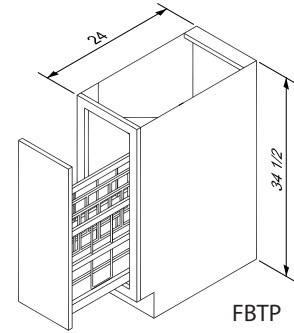
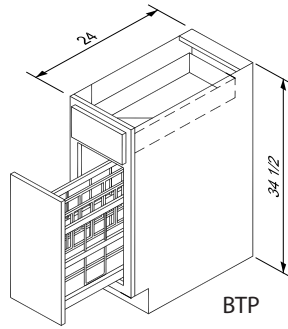
## BASE & FULL BASE TRAY PULL-OUT DIVIDERS

### MODIFICATION LIMITS

Width No Width Mods  
 Height No Height Mods  
 Depth 24" – 30" (Applied to cabinet only)

- Divider designed to hold baking sheets, aluminum foil, etc.
- Maple/Natural wood and Stainless dividers
- Soft-close undermount guides
- Remove center divider to store larger items
- Pull-out dimensions: (width depends on cab) 5-1/2" W or 8" W x 19-1/2" H x 22-7/16" D

- Allow clearance adjacent to pull-out for hardware, appliances, mouldings when pull-out is open
- Min. cabinet openings:
  - F/BTP09: 6" W x 20" H x 22.5" D
  - F/BTP12: 9" W x 20" H x 22.5" D
- **Note:** Mid-heights available with FBTPs only



	C0	C1	C2	C4	C4A	C5	C7	C7A	C9	C9A	C10	C10A	C11	C12	C12A	C13	C13A	C14	C15	C16
<b>BTP09</b>	1184	1223	1238	1364	1364	1526	1248	1248	1340	1340	1358	1358	1379	1399	1399	1426	1426	1479	1584	1704
<b>BTP12</b>	1477	1523	1548	1686	1686	1877	1560	1560	1660	1660	1681	1681	1713	1733	1733	1764	1764	1823	1942	2078
<b>FBTP09</b>	1126	1150	1182	1277	1277	1423	1179	1179	1258	1258	1274	1274	1294	1316	1316	1338	1338	1382	1472	1574
<b>FBTP12</b>	1413	1443	1482	1593	1593	1769	1486	1486	1570	1570	1587	1587	1625	1647	1647	1672	1672	1723	1825	1942

## FULL BASE PULL-OUT CONTAINER OR UTENSIL

### MODIFICATION LIMITS

Width No Width Mods  
 Height No Height Mods  
 Depth 24" – 30" (Applied to cabinet only)

- Door mounted pull-out with soft-close undermount guides
- Maple/Natural wood shelves

- Allow clearance adjacent to pull-out for hardware, appliances and mouldings when pull-out is open
- **Not available:** mid-heights

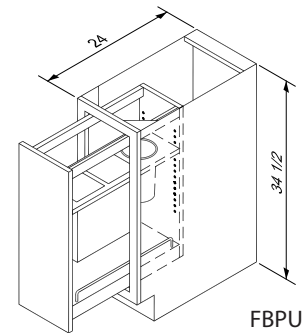
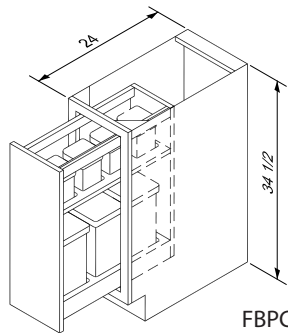
### CONTAINER STORAGE (FBPC)

Designed to organize food containers

- Includes a set of small and large OXO Good Grip containers

### UTENSIL/KNIFE (FBPU)

- Two universal knife inserts
- Stainless steel utensil bin
- Adjustable shelf for lower storage



	C0	C1	C2	C4	C4A	C5	C7	C7A	C9	C9A	C10	C10A	C11	C12	C12A	C13	C13A	C14	C15	C16
<b>FBPC12</b>	2122	2153	2192	2302	2302	2478	2195	2195	2280	2280	2297	2297	2334	2356	2356	2382	2382	2433	2534	2651
<b>FBPU12</b>	1756	1787	1826	1936	1936	2112	1829	1829	1914	1914	1931	1931	1968	1990	1990	2016	2016	2067	2168	2285

# Base Cabinets

## BASE FULL WINE RACK LATTICE

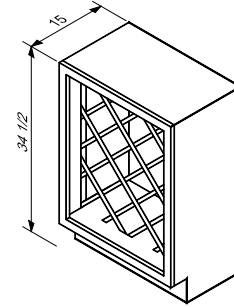
### MODIFICATION LIMITS

Width 15" – 24"  
 Height 22-1/2" – 46-1/2"  
 Depth 12" – 24"

- Cabinet is 15" D
- Inside of frame opening has eased edge
- Finished interior (FMI)
- Exterior ends not finished
- Lattice is recessed 4-1/2" from face of cabinet to allow for bottleneck overhang

- When depth is increased, distance from face of cabinet to lattice does not change
- False back installed when depth is increased to 18" or greater
- **Not available:** Black Walnut, Sapele

BFWRL	Approximate Bottle Capacity
BFWRL15	10
BFWRL18	11
BFWRL21	11
BFWRL24	18



	C0	C1	C2	C4	C4A	C5	C7	C7A	C9	C9A	C10	C10A	C11	C12	C12A	C13	C13A	C14	C15	C16
<b>BFWRL15</b>	1133	1133	1133	1187	1187	1133	1133	1133	1133	1133	1133	1133	1133	1133	1133	1187	1187	1133	1133	1133
<b>BFWRL18</b>	1191	1191	1191	1248	1248	1191	1191	1191	1191	1191	1191	1191	1191	1191	1191	1248	1248	1191	1191	1191
<b>BFWRL21</b>	1469	1469	1469	1540	1540	1469	1469	1469	1469	1469	1469	1469	1469	1469	1469	1540	1540	1469	1469	1469
<b>BFWRL24</b>	1498	1498	1498	1569	1569	1498	1498	1498	1498	1498	1498	1498	1498	1498	1498	1569	1569	1498	1498	1498

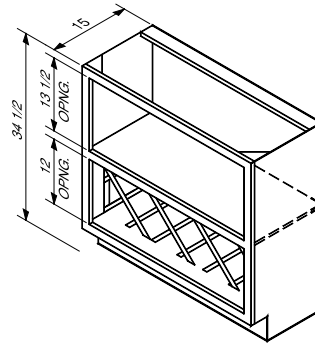
## BASE HALF WINE RACK LATTICE

### MODIFICATION LIMITS

Width 15" – 42"  
 Height 29-1/4" – 46-1/2"  
 Depth 12" – 24"

- See notes above
- When height is modified, open area increases or decreases incrementally

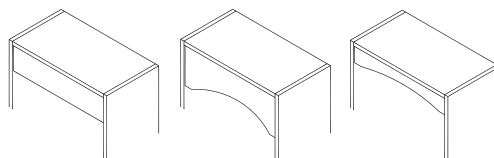
BHWRL	Approximate Bottle Capacity
BHWRL24	5
BHWRL27	6
BHWRL30	7
BHWRL33	8
BHWRL36	9



	C0	C1	C2	C4	C4A	C5	C7	C7A	C9	C9A	C10	C10A	C11	C12	C12A	C13	C13A	C14	C15	C16
<b>BHWRL24</b>	1194	1194	1194	1252	1252	1194	1194	1194	1194	1194	1194	1194	1194	1194	1194	1252	1252	1194	1194	1194
<b>BHWRL27</b>	1252	1252	1252	1313	1313	1252	1252	1252	1252	1252	1252	1252	1252	1252	1252	1313	1313	1252	1252	1252
<b>BHWRL30</b>	1279	1279	1279	1342	1342	1279	1279	1279	1279	1279	1279	1279	1279	1279	1279	1342	1342	1279	1279	1279
<b>BHWRL33</b>	1559	1559	1559	1633	1633	1559	1559	1559	1559	1559	1559	1559	1559	1559	1559	1633	1633	1559	1559	1559
<b>BHWRL36</b>	1586	1586	1586	1662	1662	1586	1586	1586	1586	1586	1586	1586	1586	1586	1586	1662	1662	1586	1586	1586

### Optional Top Rail Valances

Available on both BFWRL & BHWRL cabinets  
 (See Modification section)



# Base Cabinets

## BASE FULL WINE RACK - X GRID

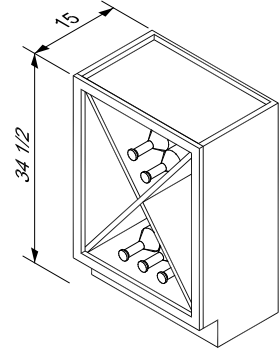
### MODIFICATION LIMITS

No Modifications

- Finished interior (FMI)
- Inside of frame opening has eased opening
- X grid shelves recessed 3/4" from face of cabinet

- Bottle capacity chart (see below) based on 3" diameter bottles
- **Not available:** Installed top rail valances

BFWRX	MSRP	Approximate Bottle Capacity
BFWRX21	1565	40
BFWRX24	1584	46



## ISLAND BOOKCASE CABINET

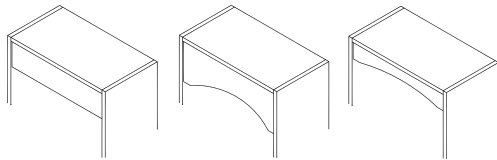
### MODIFICATION LIMITS

Width 12" – 48"  
Height 29-1/4" – 60"  
Depth 9" – 24"

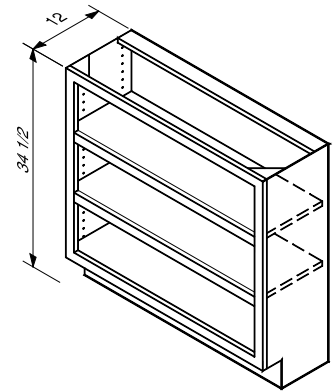
- Cabinet is 12" D
- Inside of frame opening has eased edge
- Finished interior (FMI)
- Exterior ends not finished
- Adjustable shelves have 1-1/2" H double eased front edge
- Clear locking shelf clips are installed, and nickel shelf clips are sent loose
- Apply FTK modification for Flush Toekick

- When height is modified, quantity of shelves does not change
- When width exceeds 36" plywood (PLY) must be selected as box material
- If using shelves to store heavy loads, then exceeding 36" in width is not recommended
- If width exceeds 42" then max. depth becomes 18"

### Optional Top Rail Valances (See Modification section)



IBC	
IBC12	IBC30
IBC15	IBC33
IBC18	IBC36
IBC21	IBC39
IBC24	IBC42
IBC27	



	C0	C1	C2	C4	C4A	C5	C7	C7A	C9	C9A	C10	C10A	C11	C12	C12A	C13	C13A	C14	C15	C16
IBC12	494	494	494	516	516	494	494	494	494	494	494	494	494	494	494	516	516	494	494	494
IBC15	605	605	605	633	633	605	605	605	605	605	605	605	605	605	605	633	633	605	605	605
IBC18	641	641	641	670	670	641	641	641	641	641	641	641	641	641	641	670	670	641	641	641
IBC21	675	675	675	706	706	675	675	675	675	675	675	675	675	675	675	706	706	675	675	675
IBC24	712	712	712	746	746	712	712	712	712	712	712	712	712	712	712	746	746	712	712	712
IBC27	748	748	748	784	784	748	748	748	748	748	748	748	748	748	748	784	784	748	748	748
IBC30	784	784	784	821	821	784	784	784	784	784	784	784	784	784	784	821	821	784	784	784
IBC33	819	819	819	858	858	819	819	819	819	819	819	819	819	819	819	858	858	819	819	819
IBC36	855	855	855	895	895	855	855	855	855	855	855	855	855	855	855	895	895	855	855	855
IBC39	923	923	923	967	967	923	923	923	923	923	923	923	923	923	923	967	967	923	923	923
IBC42	989	989	989	1036	1036	989	989	989	989	989	989	989	989	989	989	1036	1036	989	989	989

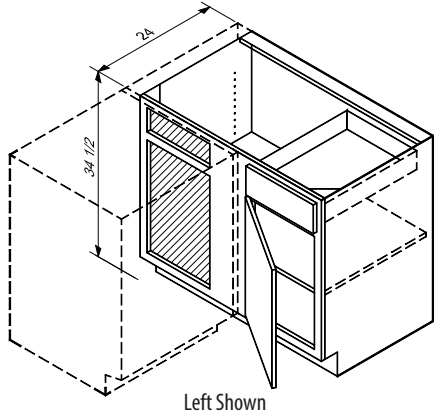
## BASE SQUARE CORNER

- One 3/4" thick full depth adjustable shelf
- Right or Left determined by side voided
- See chart/diagram on pg B-41 for specs
- For incorrect swing: remove door, drawer and drawer hardware and install on opposite side

- Cabinet may need to be pulled so drawer clears adjacent appliance handle or drawer hardware

### MODIFICATION LIMITS

Width No width mods  
 Height 22-1/2" – 46-1/2"  
 Depth 12" – 30"

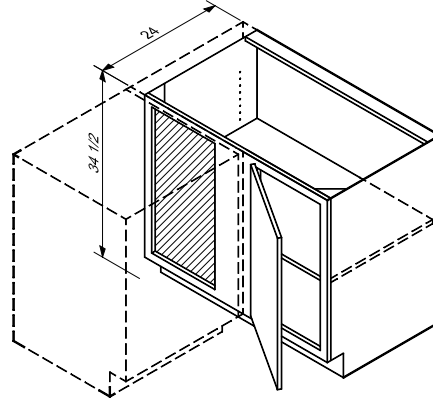


### BSC1DR1DWR

BSC36-39\*  
 BSC39-42\*  
 BSC42-45\*  
 BSC45-48\*  
 BSC48-51\*

### MODIFICATION LIMITS

Width No width mods  
 Height 16-1/2" – 46-1/2"  
 Depth 12" – 30"



### FBSC1DR

FBSC36-39\*  
 FBSC39-42\*  
 FBSC42-45\*  
 FBSC45-48\*  
 FBSC48-51\*

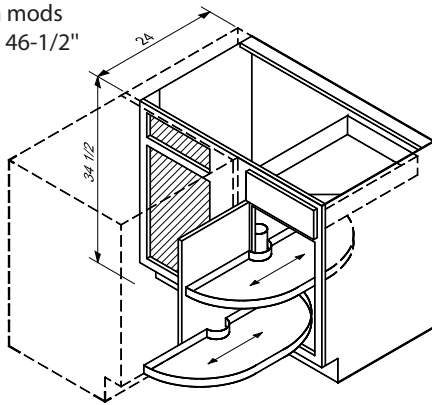
## BASE SQUARE CORNER – HALF-ROUND TRAYS

- Two half-round trays pivot and pull out of cabinet
- Choice of white plastic (HR) or wood (HRW)
- See chart/diagram on pg B-41 for specs

- Right or Left determined by side voided
- Size and number of trays does not change when cabinet size is modified
- **Not available:** Inset

### MODIFICATION LIMITS

Width No width mods  
 Height 34-1/2" – 46-1/2"  
 Depth 24" – 30"



### BSC1DR1DWRHR

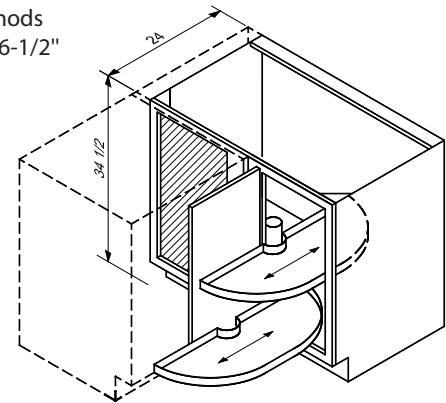
BSC42-45HR\*  
 BSC45-48HR\*  
 BSC48-51HR\*

### BSC1DR1DWRHRW

BSC42-45HRW\*  
 BSC45-48HRW\*  
 BSC48-51HRW\*

### MODIFICATION LIMITS

Width No width mods  
 Height 29-1/4" – 46-1/2"  
 Depth 24" – 30"



### FBSC1DRHR

FBSC42-45HR\*  
 FBSC45-48HR\*  
 FBSC48-51HR\*

### FBSC1DRHRW

FBSC42-45HRW\*  
 FBSC45-48HRW\*  
 FBSC48-51HRW\*

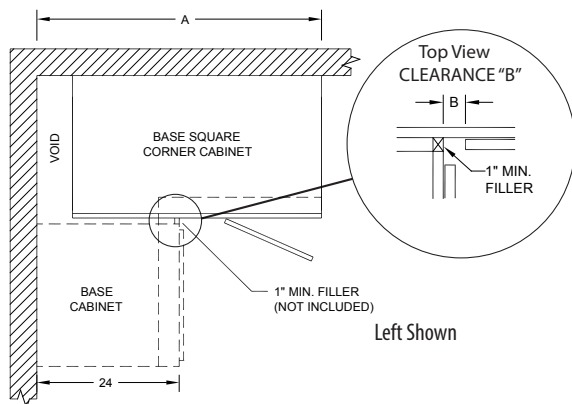


# Base Cabinets

\* L or R required

	C0	C1	C2	C4	C4A	C5	C7	C7A	C9	C9A	C10	C10A	C11	C12	C12A	C13	C13A	C14	C15	C16
<b>BASE SQUARE CORNER</b>																				
BSC36-39*	616	648	655	828	828	1050	667	667	790	790	819	819	840	855	855	895	895	975	1138	1323
BSC39-42*	641	680	700	882	882	1113	712	712	843	843	875	875	889	906	906	948	948	1035	1206	1403
BSC42-45*	667	712	745	936	936	1192	758	758	894	894	928	928	951	970	970	1016	1016	1107	1294	1506
BSC45-48*	692	745	790	990	990	1284	804	804	946	946	982	982	1023	1043	1043	1092	1092	1192	1392	1621
BSC48-51*	728	785	843	1055	1055	1421	858	858	1007	1007	1046	1046	1109	1153	1153	1209	1209	1319	1540	1793
<b>FULL BASE SQUARE CORNER</b>																				
FBSC36-39*	541	560	575	729	729	951	585	585	697	697	722	722	753	775	775	811	811	884	1029	1196
FBSC39-42*	561	587	614	775	775	1031	624	624	741	741	768	768	816	840	840	879	879	958	1118	1299
FBSC42-45*	582	614	651	824	824	1109	663	663	787	787	816	816	880	902	902	945	945	1029	1202	1399
FBSC45-48*	600	641	692	872	872	1187	704	704	833	833	863	863	943	965	965	1011	1011	1102	1286	1496
FBSC48-51*	621	668	729	919	919	1267	743	743	879	879	912	912	1006	1029	1029	1079	1079	1177	1374	1599
<b>BASE SQUARE CORNER – HALF-ROUND TRAYS - WHITE PLASTIC</b>																				
BSC42-45HR*	1509	1555	1587	1961	1961	2497	1618	1618	1869	1869	1942	1942	1998	2020	2020	2118	2118	2315	2710	3163
BSC45-48HR*	1535	1587	1633	2015	2015	2581	1665	1665	1922	1922	1996	1996	2066	2088	2088	2190	2190	2393	2802	3270
BSC48-51HR*	1576	1633	1686	2079	2079	2676	1718	1718	1983	1983	2061	2061	2142	2164	2164	2269	2269	2481	2905	3390
<b>BASE SQUARE CORNER – HALF-ROUND TRAYS - WOOD</b>																				
BSC42-45HRW*	2425	2471	2503	2876	2876	3412	2534	2534	2785	2785	2858	2858	2914	2936	2936	3034	3034	3231	3626	4079
BSC45-48HRW*	2675	2727	2773	3155	3155	3721	2805	2805	3061	3061	3136	3136	3205	3227	3227	3329	3329	3533	3942	4410
BSC48-51HRW*	2978	3036	3088	3482	3482	4079	3121	3121	3385	3385	3463	3463	3545	3567	3567	3672	3672	3884	4308	4793
<b>FULL BASE SQUARE CORNER – HALF-ROUND TRAYS - WHITE PLASTIC</b>																				
FBSC42-45HR*	1430	1464	1496	1849	1849	2413	1525	1525	1762	1762	1830	1830	1891	1952	1952	2047	2047	2237	2619	3056
FBSC45-48HR*	1448	1491	1537	1896	1896	2485	1565	1565	1808	1808	1877	1877	1954	2010	2010	2108	2108	2303	2697	3146
FBSC48-51HR*	1469	1691	1574	1944	1944	2524	1604	1604	1854	1854	1927	1927	2018	2042	2042	2142	2142	2340	2741	3199
<b>FULL BASE SQUARE CORNER – HALF-ROUND TRAYS - WOOD</b>																				
FBSC42-45HRW*	2346	2379	2412	2764	2764	3329	2441	2441	2678	2678	2746	2746	2807	2868	2868	2963	2963	3153	3534	3972
FBSC45-48HRW*	2588	2630	2676	3036	3036	3624	2705	2705	2948	2948	3017	3017	3094	3149	3149	3248	3248	3443	3836	4286
FBSC48-51HRW*	2871	3094	2976	3346	3346	3926	3007	3007	3256	3256	3329	3329	3421	3445	3445	3545	3545	3743	4143	4601

## Base Square Corner Specifications



**Max. recommended pull is 3"**

**Dimension "A"** – Min., max. and void dimensions are based on having a 24" deep cabinet being placed adjacent to square corner cabinet. Chart shows actual cabinet width.

**Dimension "B"** – Clearance between return cabinet and edge of door or drawer. Does not include depth of door, drawer or hardware on return cabinet.

Cabinet must be pulled so drawer clears adjacent appliance handle or drawer hardware. 1" min. filler is required to allow adjacent cabinet door to clear door on square corner cabinet. A filler equal to hardware depth + 1" must be used to clear door hardware.

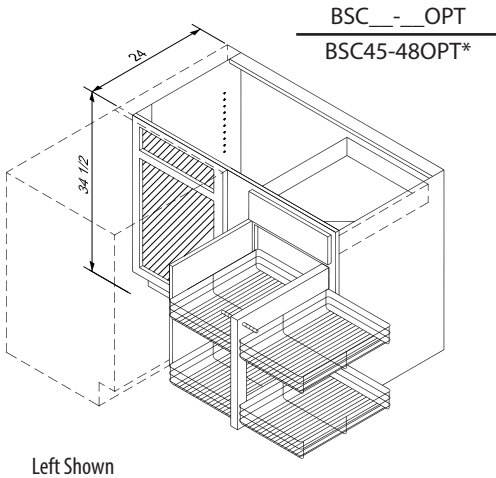
Cabinet	Actual Width	Minimum Space "A"	Void At Minimum	Maximum Space "A"	Void At Maximum	Frame Opening Width	Traditional Overlay "B" @ "A"	Modified Overlay "B" @ "A"
BSC36-39	27"	36"	9"	39"	12"	7-1/2"	2-1/2" @ 36"	1-3/4" @ 36"
BSC39-42	33"	39"	6"	42"	9"	10-1/2"	2-1/2" @ 39"	1-3/4" @ 39"
BSC42-45	39"	42"	3"	45"	6"	13-1/2"	2-1/2" @ 42"	1-3/4" @ 42"
BSC45-48	45"	45"	0"	48"	3"	16-1/2"	2-1/2" @ 45"	1-3/4" @ 45"
BSC48-51	48"	48"	0"	51"	3"	18"	4" @ 48"	3-1/4" @ 48"

## BASE SQUARE CORNER - CHROME OPTIMIZER

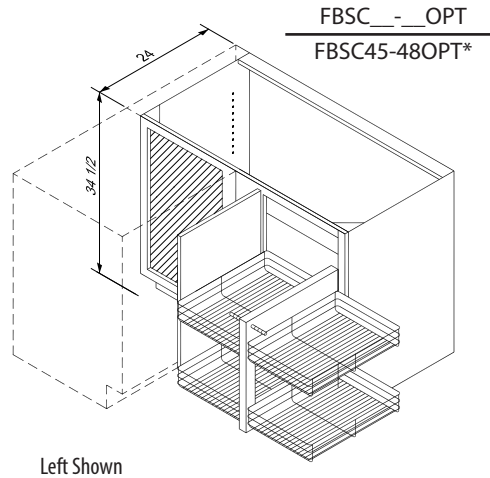
### MODIFICATION LIMITS

Width	No width mods
Height	No height mods
Depth	24" - 30"

- Maximizes space in blind corner of cabinet for full accessibility to entire storage unit
- Four baskets with chrome finish
- Heavy-duty frame with ball bearing guides
- Weight rated at 100 lbs. fully extended
- Left or right orientation is determined by blind side
- Verify clearance of min. 1-5/8" on adjacent appliance handle or drawer hardware to allow basket to slide across front of adjacent appliance or cabinet (see drawing below)
- **Not available:** Inset

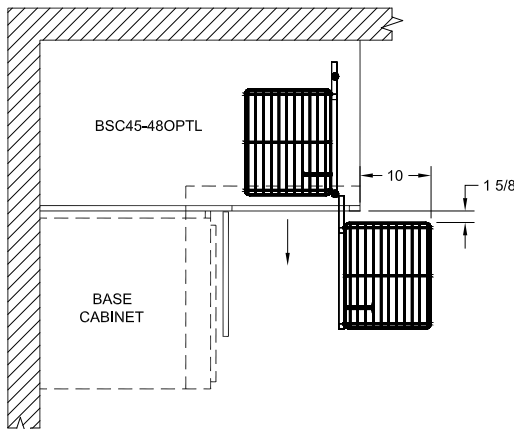


Left Shown



Left Shown

### Top View



### Easy three-step operation

1. Front basket pulls forward
2. Entire unit slides sideways allowing access to back basket
3. Back basket can then move forward

	C0	C1	C2	C4	C4A	C5	C7	C7A	C9	C9A	C10	C10A	C11	C12	C12A	C13	C13A	C14	C15	C16
<b>BSC45-48OPT*</b>	3197	3250	3295	3495	3495	3789	3309	3309	3451	3451	3487	3487	3528	3548	3548	3597	3597	3697	3897	4126
<b>FBSC45-48OPT*</b>	3105	3146	3197	3377	3377	3692	3209	3209	3338	3338	3368	3368	3448	3470	3470	3516	3516	3607	3791	4001

\* Left or right orientation required

# Base Cabinets

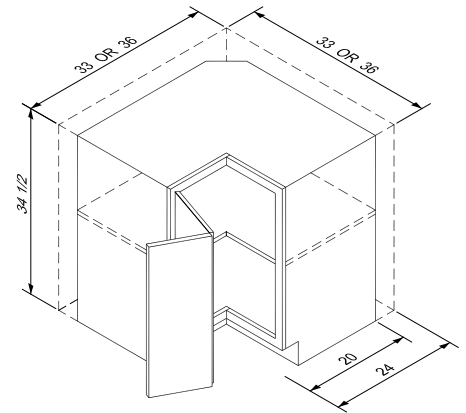
\* L or R required

## FULL BASE CORNER CABINET

### MODIFICATION LIMITS

Width No width mods  
 Height 34-1/2" – 46-1/2"  
 Depth No depth mods

- 3/4" thick full depth fixed shelf
- Bifold-hinged door opens 170° from face of cabinet
- Concealed-IM, Soft Close hinge not available
- Void between back of cabinet and wall is approx. 4"
- **FBCC33:** Doors will be slab when door style is Mitered, Applied Mldg or M&T w/3" stiles



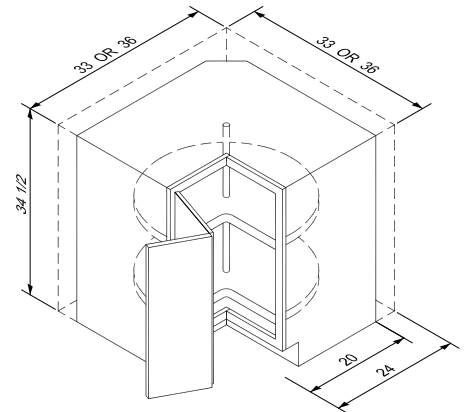
FBCC_	C0	C1	C2	C4	C4A	C5	C7	C7A	C9	C9A	C10	C10A	C11	C12	C12A	C13	C13A	C14	C15	C16
<b>FBCC33*</b>	548	575	580	750	750	975	590	590	716	716	743	743	755	795	795	833	833	907	1057	1228
<b>FBCC36*</b>	592	626	638	821	821	1084	650	650	784	784	812	812	841	882	882	924	924	1007	1174	1365

## FULL BASE CORNER – LAZY SUSAN

### MODIFICATION LIMITS

No Modifications

- Two rotating white plastic kidney shaped trays  
 33LS: 24" dia. | 36LS: 28" dia.
- Bifold-hinged door opens 170° from face of cabinet
- Void between back of cabinet and wall is approx. 4"
- **FBCC33:** Doors will be slab when door style is Mitered, Applied Mldg or M&T w/3" stiles



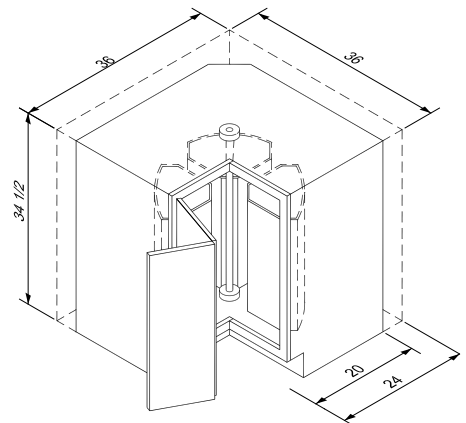
FBCC_LS	C0	C1	C2	C4	C4A	C5	C7	C7A	C9	C9A	C10	C10A	C11	C12	C12A	C13	C13A	C14	C15	C16
<b>FBCC33LS*</b>	911	943	948	1194	1194	1584	965	965	1140	1140	1184	1184	1245	1286	1286	1347	1347	1470	1720	2003
<b>FBCC36LS*</b>	1036	1068	1072	1347	1347	1793	1092	1092	1286	1286	1335	1335	1413	1453	1453	1523	1523	1664	1945	2268

## FULL BASE CORNER – RECYCLE

### MODIFICATION LIMITS

No Modifications

- Three white plastic recycle bins with color-coded labels
- Bifold-hinged door opens 170° from face of cabinet
- Void between back of cabinet and wall is approx. 4"
- **Not available:** mid-height



FBCC_RC	C0	C1	C2	C4	C4A	C5	C7	C7A	C9	C9A	C10	C10A	C11	C12	C12A	C13	C13A	C14	C15	C16
<b>FBCC36RC*</b>	1186	1219	1219	1443	1443	1822	1243	1243	1377	1377	1430	1430	1435	1476	1476	1547	1547	1689	1976	2303

# Base Cabinets

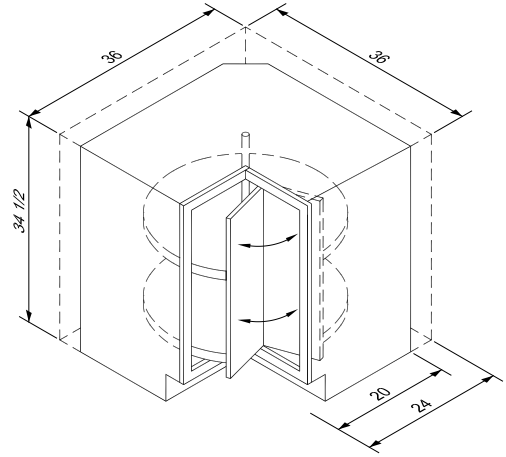
\* L or R required

## FULL BASE CORNER CABINET – REVOLVING

### MODIFICATION LIMITS

No Modifications

- Front doors attached to backer door that rotates into box with two 28" dia. white plastic lazy susan trays
- Void between back of cabinet and wall is approx. 4"
- **Not available:** mid-height



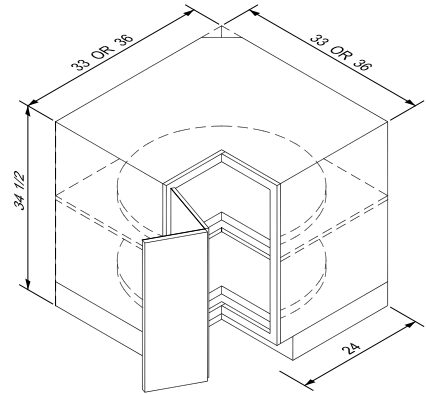
FBCC_REVS	C0	C1	C2	C4	C4A	C5	C7	C7A	C9	C9A	C10	C10A	C11	C12	C12A	C13	C13A	C14	C15	C16
<b>FBCC36REVS</b>	1194	1226	1230	1504	1504	1964	1250	1250	1443	1443	1499	1499	1570	1611	1611	1681	1681	1822	2103	2425

## FULL BASE CORNER CABINET SUPER SUSAN

### MODIFICATION LIMITS

Width No width mods  
Height 34-1/2" – 46-1/2"  
Depth No depth mods

- Two wood 31-3/4" dia. rotaries finished Natural with 1-1/2" H solid wood edge
- Operate independently on 3/4" fixed shelves
- Bifold-hinged door opens 170° from face of cabinet
- Concealed-IM, Soft Close hinge not available
- Cabinet is full base depth
- Toekick sent loose to allow cabinet to fit through a 31" W door opening



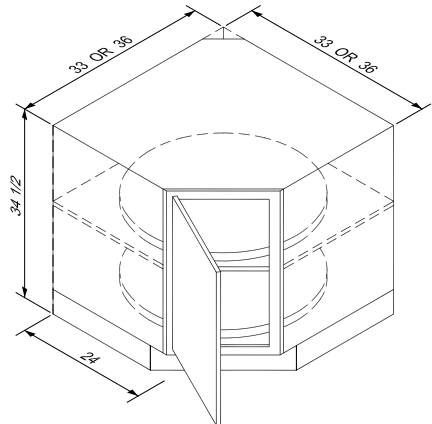
FBCC_SS	C0	C1	C2	C4	C4A	C5	C7	C7A	C9	C9A	C10	C10A	C11	C12	C12A	C13	C13A	C14	C15	C16
<b>FBCC33SS*</b>	1319	1357	1357	1577	1577	1981	1370	1370	1504	1504	1564	1564	1562	1603	1603	1682	1682	1838	1898	2212
<b>FBCC36SS*</b>	1440	1481	1481	1721	1721	2161	1494	1494	1642	1642	1706	1706	1704	1749	1749	1835	1835	2005	2071	2413

## FULL BASE CORNER ANGLE SUPER SUSAN

### MODIFICATION LIMITS

Width No width mods  
Height 34-1/2" – 46-1/2"  
Depth No depth mods

- Two wood super susan rotaries with 1-1/2" H solid wood edge are finished Natural (33SS: 28" dia. | 36SS: 32" dia.)
- Operate independently on 3/4" fixed shelves
- Cabinet is full base depth
- Toekick sent loose to allow cabinet to fit through a 31" W door opening



FBCA_SS	C0	C1	C2	C4	C4A	C5	C7	C7A	C9	C9A	C10	C10A	C11	C12	C12A	C13	C13A	C14	C15	C16
<b>FBCA33SS*</b>	1443	1504	1572	1743	1743	2047	1576	1576	1704	1704	1735	1735	1806	1828	1828	1872	1872	1964	2140	2347
<b>FBCA36SS*</b>	1594	1635	1635	1876	1876	2327	1649	1649	1796	1796	1866	1866	1859	1903	1903	1989	1989	2159	2225	2568

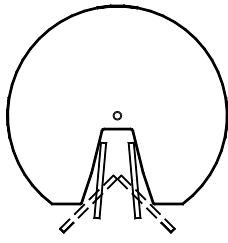
# Base Cabinets

\* L or R required

## FULL BASE CORNER SQ

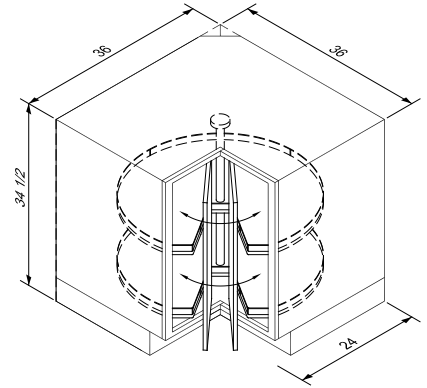
### MODIFICATION LIMITS

No Modifications



Top View of Tray and Doors

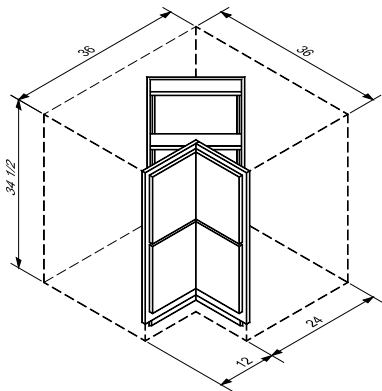
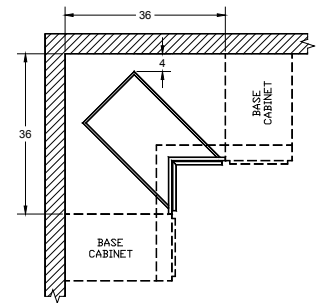
- Doors attach to pie-shaped lazy susan hardware; collapse inward as they rotate into cabinet, then automatically return to closed position
- Height of top and bottom rails are reduced, allowing doors to be same height as full-height base cabinet doors
- Doors may be adjusted in any direction
- Available with removable white (W) or natural Maple (M) melamine shelves with non-slip coating on surface and chrome-plated surround
- Toekick sent loose to allow cabinet to fit through a 31" wide door opening



FBCC_SQW	C0	C1	C2	C4	C4A	C5	C7	C7A	C9	C9A	C10	C10A	C11	C12	C12A	C13	C13A	C14	C15	C16
<b>FBCC36SQW</b>	3465	3506	3506	3746	3746	4186	3519	3519	3667	3667	3731	3731	3730	3774	3774	3860	3860	4030	4096	4438
<b>FBCC36SQM</b>	3519	3560	3560	3801	3801	4240	3573	3573	3721	3721	3785	3785	3784	3828	3828	3914	3914	4084	4150	4493

## BASE CORNER DRAWER

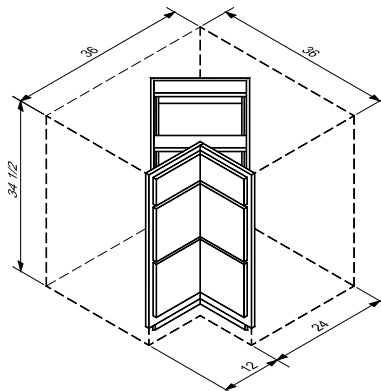
- Available with wood and wood veneer door styles only
- Available with SLAB or DFMD drawer fronts
- Drawer fronts are mitered and joined with (visible) dovetail keys prior to finish
- Hardwood Dovetail (HWDWR) drawers only (up-charges apply)
- **Not available:** Inset, Beaded, or any finished end



BCC2D36

### MODIFICATION LIMITS

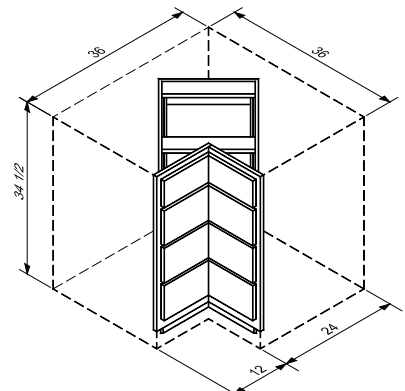
Width No Width Mods  
Height 18" - 34-1/2"  
Depth No Depth Mods



BCC3D36

### MODIFICATION LIMITS

Width No Width Mods  
Height 24" - 40-1/2"  
Depth No Depth Mods



BCC4D36

### MODIFICATION LIMITS

Width No Width Mods  
Height 30" - 46-1/2"  
Depth No Depth Mods

BCC_D_	C0	C1	C2	C4	C4A	C5	C7	C7A	C9	C9A	C10	C10A	C11	C12	C12A	C13	C13A	C14	C15	C16
<b>BCC2D36</b>	940	-	1201	-	-	1974	1425	1425	1603	1603	1425	1425	1603	1603	1603	1679	-	1832	2171	2527
<b>BCC3D36</b>	1028	-	1291	-	-	2084	1515	1515	1693	1693	1515	1515	1693	1693	1693	1774	-	1933	2259	2630
<b>BCC4D36</b>	1143	-	1450	-	-	2290	1657	1657	1857	1857	1657	1657	1857	1857	1857	1947	-	2125	2483	2893

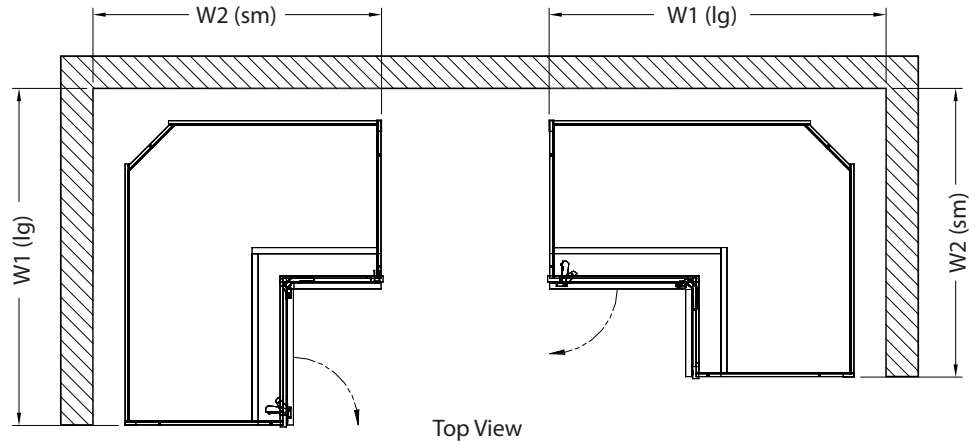
# Base Cabinets - Asymmetrical

## ASYMMETRICAL CORNER CABINETS - HINGED LEFT

- Cabinets are hinged on large door (see top view)
- Bifold-hinged door opens 170° from face of cabinet
- Sum of combined frame widths cannot exceed 30"

- Void between back of cabinet and wall is 4"
- 33" W side of cabinets: Doors will be slab when door style is Mitered, Applied Mldg or M&T w/3" stiles

Cabinet Width	Frame Width
33"	9"
36"	12"
39"	15"
42"	18"



## FULL BASE CORNER CABINET - ASYM - L

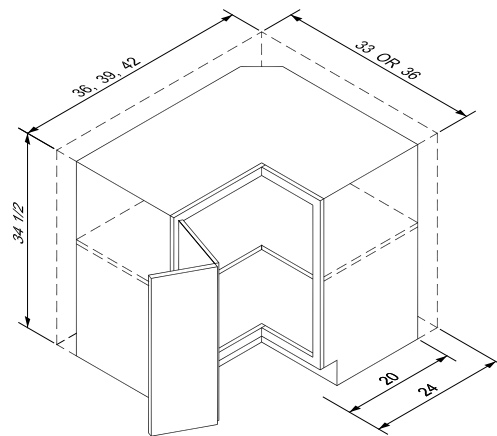
- 3/4" thick full depth fixed mid-shelf

### MODIFICATION LIMITS

Width No width mods  
 Height 34-1/2" - 46-1/2"  
 Depth No depth mods

### HOW TO ORDER

Configuration	W1	W2
FBCC	39	33



FBCC(W1,W2)	C0	C1	C2	C4	C4A	C5	C7	C7A	C9	C9A	C10	C10A	C11	C12	C12A	C13	C13A	C14	C15	C16
FBCC3633	566	600	611	787	787	1038	622	622	751	751	778	778	806	845	845	885	885	965	1124	1308
FBCC3933	592	626	638	821	821	1084	650	650	784	784	812	812	841	882	882	924	924	1007	1174	1365
FBCC3936	636	677	695	892	892	1192	709	709	851	851	882	882	928	968	968	1016	1016	1107	1291	1503
FBCC4233	636	677	695	892	892	1192	709	709	851	851	882	882	928	968	968	1016	1016	1107	1291	1503
FBCC4236	765	812	838	1048	1048	1386	853	853	1004	1004	1036	1036	1099	1140	1140	1192	1192	1292	1492	1725

# Base Cabinets - Asymmetrical

## FULL BASE CORNER – ASYM – LAZY SUSAN – L

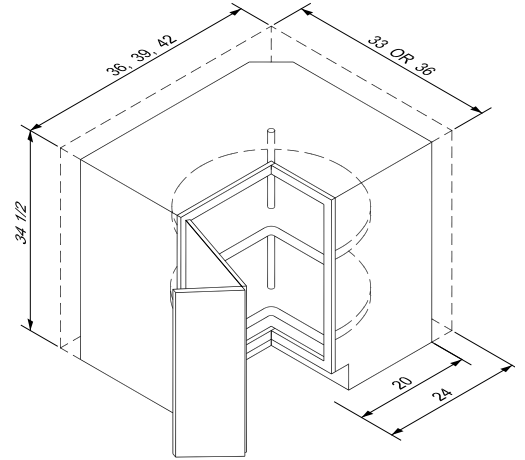
### MODIFICATION LIMITS

No Modifications

- Two rotating white plastic kidney shaped trays
- Smallest width of cabinet determines tray size  
33"W: 24" dia. | 36"W: 28" dia.

### HOW TO ORDER

Configuration	W1	H	
FBCC	39	33	LS



FBCC(W1,W2) LS	C0	C1	C2	C4	C4A	C5	C7	C7A	C9	C9A	C10	C10A	C11	C12	C12A	C13	C13A	C14	C15	C16
FBCC3633LS	994	1024	1028	1291	1291	1718	1046	1046	1231	1231	1279	1279	1353	1392	1392	1460	1460	1594	1864	2173
FBCC3933LS	1036	1068	1072	1347	1347	1793	1092	1092	1286	1286	1335	1335	1413	1453	1453	1523	1523	1664	1945	2268
FBCC3936LS	1162	1194	1196	1499	1499	2001	1219	1219	1431	1431	1486	1486	1581	1621	1621	1699	1699	1857	2171	2532
FBCC4233LS	1162	1194	1196	1499	1499	2001	1219	1219	1431	1431	1486	1486	1581	1621	1621	1699	1699	1857	2171	2532
FBCC4236LS	1372	1404	1404	1737	1737	2295	1431	1431	1662	1662	1721	1721	1833	1874	1874	1961	1961	2135	2481	2882

## FULL BASE CORNER – ASYM – SUPER SUSAN – L

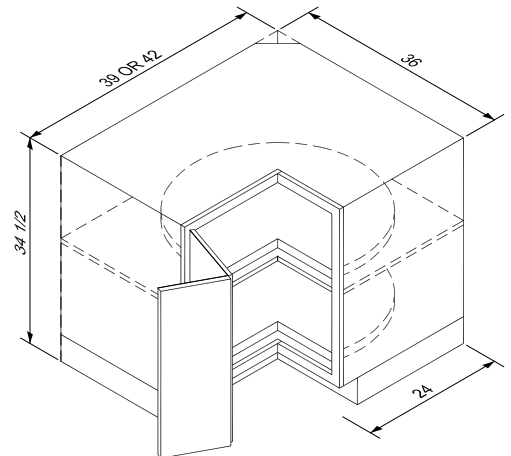
### MODIFICATION LIMITS

Width No width mods  
Height 34-1/2" – 46-1/2"  
Depth No depth mods

- Two wood rotating trays with 1-1/2" H solid wood edge are finished Natural
- Operate independently on 3/4" fixed shelves
- Toekick sent loose to allow cabinet to fit through a 31" wide door opening
- **Note:** Does not have void, cabinet is full 24" D

### HOW TO ORDER

Configuration	W1	H	
FBCC	39	36	SS



FBCC(W1,W2) SS	C0	C1	C2	C4	C4A	C5	C7	C7A	C9	C9A	C10	C10A	C11	C12	C12A	C13	C13A	C14	C15	C16
FBCC3936SS	1584	1626	1626	1877	1877	2335	1642	1642	1794	1794	1862	1862	1861	1906	1906	1996	1996	2173	2242	2598
FBCC4236SS	1645	1689	1689	1950	1950	2425	1703	1703	1864	1864	1933	1933	1932	1979	1979	2073	2073	2257	2329	2700

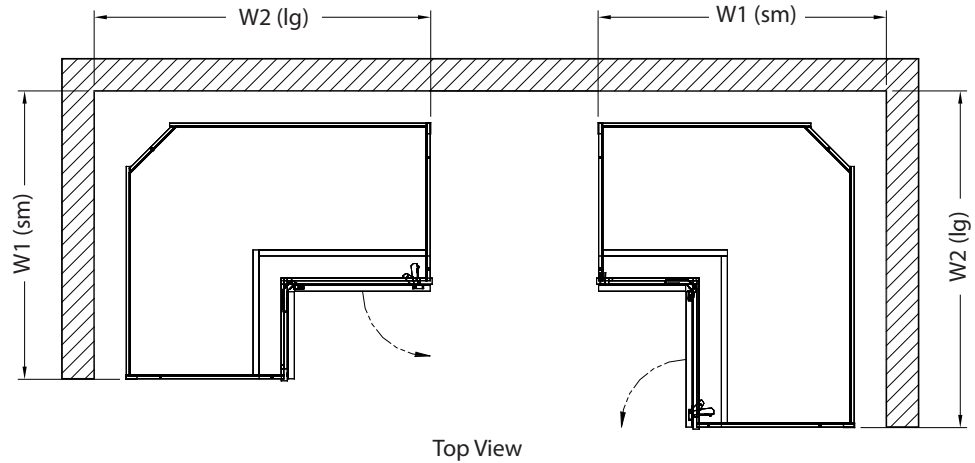
# Base Cabinets - Asymmetrical

## ASYMMETRICAL CORNER CABINETS - HINGED RIGHT

- Cabinets are hinged on the large door (see top view)
- Bifold-hinged door opens 170° from face of cabinet
- Sum of combined frame widths cannot exceed 30"

- Void between back of cabinet and wall is 4"
- 33" W side of cabinets: Doors will be slab when door style is Mitered, Applied Mldg or M&T w/3" stiles

Cabinet Width	Frame Width
33"	9"
36"	12"
39"	15"
42"	18"



## FULL BASE CORNER CABINET – ASYM – R

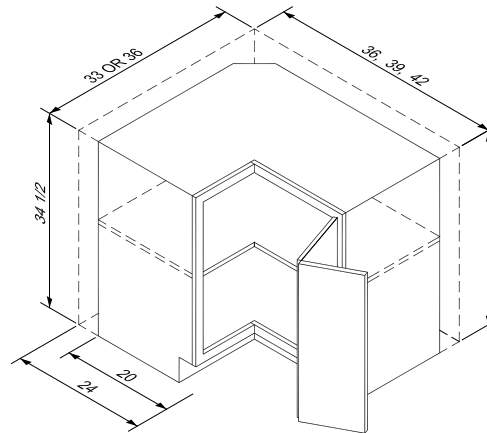
- 3/4" thick full depth fixed mid-shelf

### MODIFICATION LIMITS

Width No width mods  
 Height 34-1/2" – 46-1/2"  
 Depth No depth mods

### HOW TO ORDER

Configuration	W1	W2
FBCC	33	39



FBCC(W1,W2)	C0	C1	C2	C4	C4A	C5	C7	C7A	C9	C9A	C10	C10A	C11	C12	C12A	C13	C13A	C14	C15	C16
FBCC3336	566	600	611	787	787	1038	622	622	751	751	778	778	806	845	845	885	885	965	1124	1308
FBCC3339	592	626	638	821	821	1084	650	650	784	784	812	812	841	882	882	924	924	1007	1174	1365
FBCC3639	636	677	695	892	892	1192	709	709	851	851	882	882	928	968	968	1016	1016	1107	1291	1503
FBCC3342	636	677	695	892	892	1192	709	709	851	851	882	882	928	968	968	1016	1016	1107	1291	1503
FBCC3642	765	812	838	1048	1048	1386	853	853	1004	1004	1036	1036	1099	1140	1140	1192	1192	1292	1492	1725



# Base Cabinets - Asymmetrical

## FULL BASE CORNER – ASYM – LAZY SUSAN – R

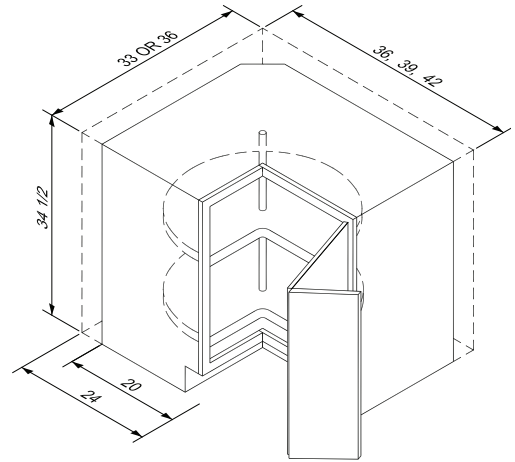
### MODIFICATION LIMITS

No Modifications

- Two rotating white plastic kidney shaped trays
- Smallest width of cabinet determines tray size  
33"W: 24" dia. | 36"W: 28" dia.

### HOW TO ORDER

Configuration	W1	H	
FBCC	33	39	LS



FBCC(W1,W2) LS	C0	C1	C2	C4	C4A	C5	C7	C7A	C9	C9A	C10	C10A	C11	C12	C12A	C13	C13A	C14	C15	C16
FBCC3336LS	994	1024	1028	1291	1291	1718	1046	1046	1231	1231	1279	1279	1353	1392	1392	1460	1460	1594	1864	2173
FBCC3339LS	1036	1068	1072	1347	1347	1793	1092	1092	1286	1286	1335	1335	1413	1453	1453	1523	1523	1664	1945	2268
FBCC3639LS	1162	1194	1196	1499	1499	2001	1219	1219	1431	1431	1486	1486	1581	1621	1621	1699	1699	1857	2171	2532
FBCC3342LS	1162	1194	1196	1499	1499	2001	1219	1219	1431	1431	1486	1486	1581	1621	1621	1699	1699	1857	2171	2532
FBCC3642LS	1372	1404	1404	1737	1737	2295	1431	1431	1662	1662	1721	1721	1833	1874	1874	1961	1961	2135	2481	2882

## FULL BASE CORNER – ASYM – SUPER SUSAN – R

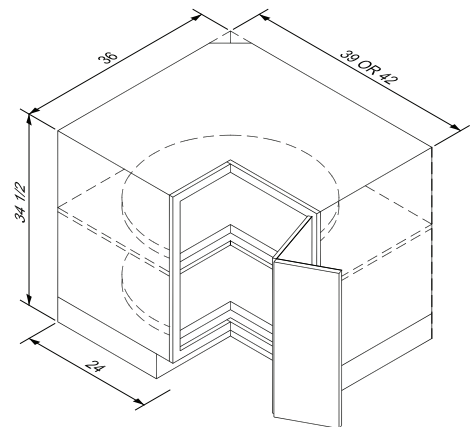
### MODIFICATION LIMITS

Width No width mods  
Height 34-1/2" – 46-1/2"  
Depth No depth mods

- Two wood rotating trays with 1-1/2" H solid wood edge are finished Natural
- Operate independently on 3/4" fixed shelves
- Toekick sent loose to allow cabinet to fit through a 31" wide door opening
- **Note:** Does not have void, cabinet is full 24" D

### HOW TO ORDER

Configuration	W1	H	
FBCC	36	39	SS



FBCC(W1,W2) SS	C0	C1	C2	C4	C4A	C5	C7	C7A	C9	C9A	C10	C10A	C11	C12	C12A	C13	C13A	C14	C15	C16
FBCC3639SS	1584	1626	1626	1877	1877	2335	1642	1642	1794	1794	1862	1862	1861	1906	1906	1996	1996	2173	2242	2598
FBCC3642SS	1645	1689	1689	1950	1950	2425	1703	1703	1864	1864	1933	1933	1932	1979	1979	2073	2073	2257	2329	2700

# Base Cabinets

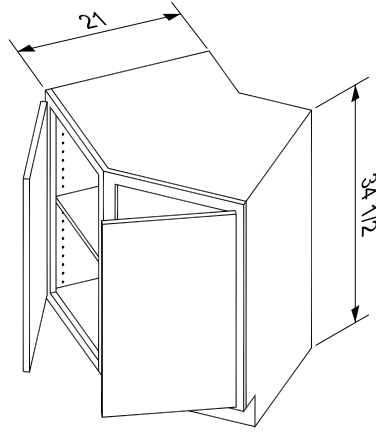
## FULL BASE OUTSIDE CORNER

### MODIFICATION LIMITS

Width No width mods  
 Height 16-1/2" – 46-1/2"  
 Depth No depth mods

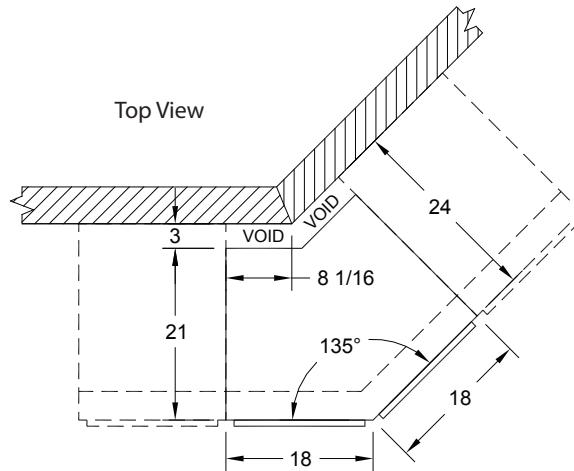
- One 3/4" thick full depth adjustable shelf
- BOC\_ cabinet has false drawer fronts
- Toekick is attached

- Only FTK and NTK toekick modifications available
- Void between back of cabinet & wall is 3"



FBOC\_  
 FBOC1818X24

Modifications not available:	
Drawer front mods (2DF1 & ITO)	Panel Ends
Roll-outs	Finished Ends
Clipped Corners	Flush Ends
Finished End Doors	Valances
Active Door Ends	



	C0	C1	C2	C4	C4A	C5	C7	C7A	C9	C9A	C10	C10A	C11	C12	C12A	C13	C13A	C14	C15	C16	
<b>FULL BASE OUTSIDE CORNER</b>																					
<b>FBOC1818X24</b>	924	1182	1416	1793	1793	2420	1610	1610	1715	1715	1864	1864	1913	1983	1983	2073	2073	2254	2615	3029	

# Base Cabinets

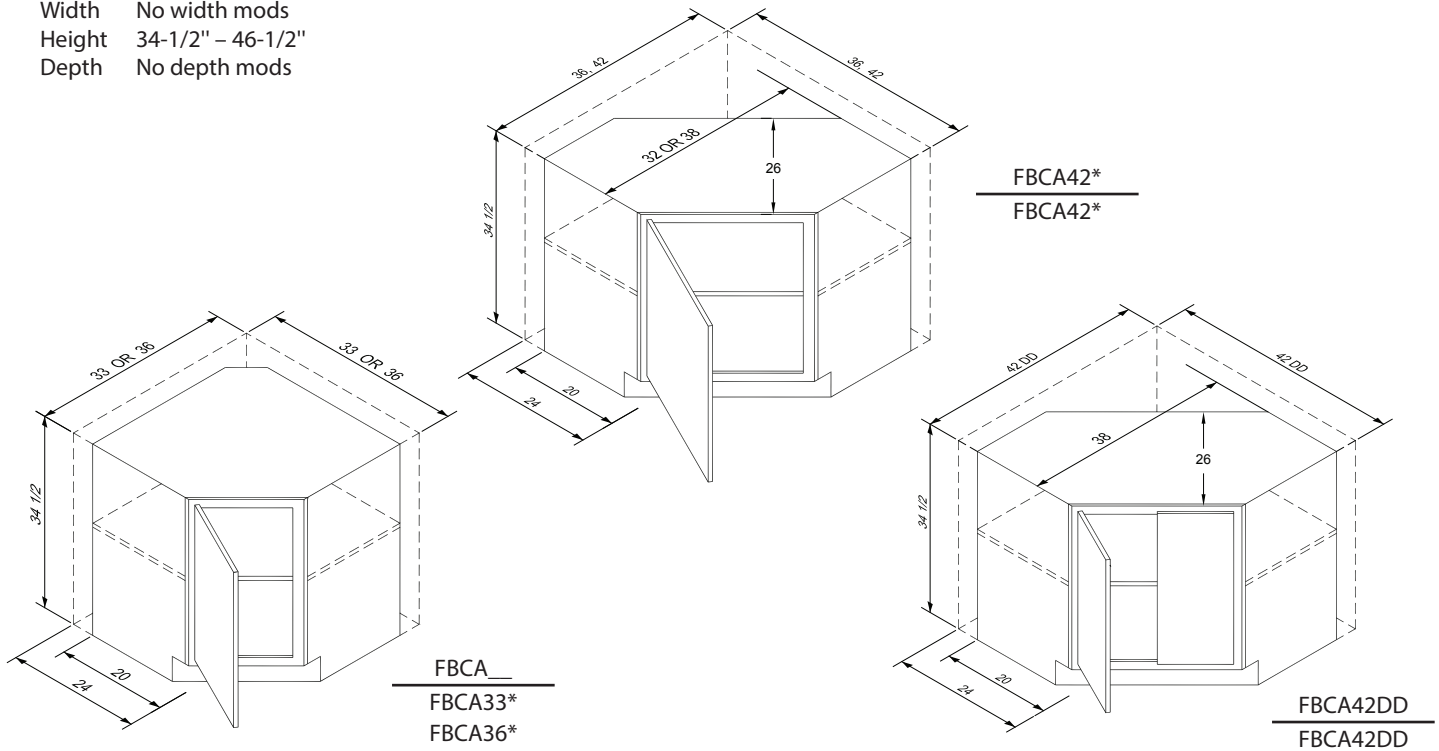
\* L or R required

## FULL BASE CORNER ANGLE

- 3/4" full depth fixed shelf in FBCA cabinets
- Void between back of cabinet & wall is approx. 4"

### MODIFICATION LIMITS

Width No width mods  
 Height 34-1/2" – 46-1/2"  
 Depth No depth mods



	C0	C1	C2	C4	C4A	C5	C7	C7A	C9	C9A	C10	C10A	C11	C12	C12A	C13	C13A	C14	C15	C16
FBCA33*	568	629	697	868	868	1172	700	700	829	829	860	860	931	953	953	997	997	1089	1265	1472
FBCA36*	619	680	748	919	919	1235	751	751	880	880	914	914	982	1004	1004	1048	1048	1146	1316	1531
FBCA42*	694	787	884	1114	1114	1513	901	901	1067	1067	1107	1107	1126	1228	1228	1282	1282	1404	1615	1881
FBCA42DD	738	831	919	1148	1148	1581	941	941	1099	1099	1152	1152	1186	1282	1282	1340	1340	1467	1688	1966

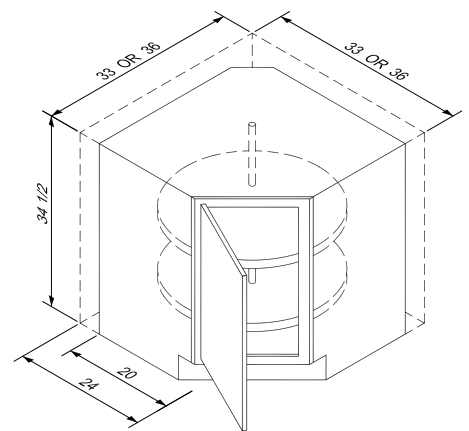
## FULL BASE CORNER ANGLE LAZY SUSAN

- Includes two round white plastic trays (33LS: 24" diameter | 36LS: 28" diameter)
- Void between back of cabinet & wall is approx. 4"

### MODIFICATION LIMITS

No Modifications

FBCA\_LS  
 FBCA33LS\*  
 FBCA36LS\*



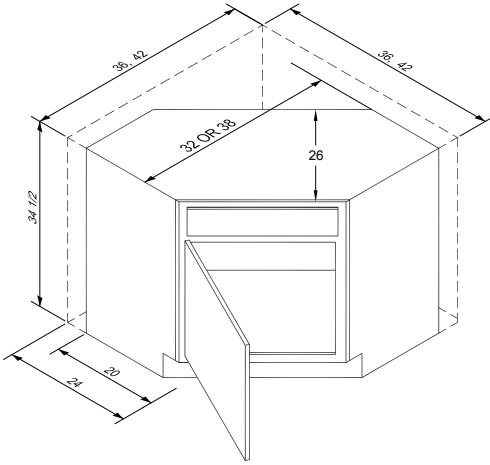
	C0	C1	C2	C4	C4A	C5	C7	C7A	C9	C9A	C10	C10A	C11	C12	C12A	C13	C13A	C14	C15	C16
FBCA33LS*	790	804	836	975	975	1236	790	790	931	931	967	967	985	1006	1006	1053	1053	1150	1342	1562
FBCA36LS*	972	982	1018	1187	1187	1513	968	968	1133	1133	1177	1177	1208	1228	1228	1287	1287	1404	1642	1913

## BASE & FULL BASE SINK ANGLE

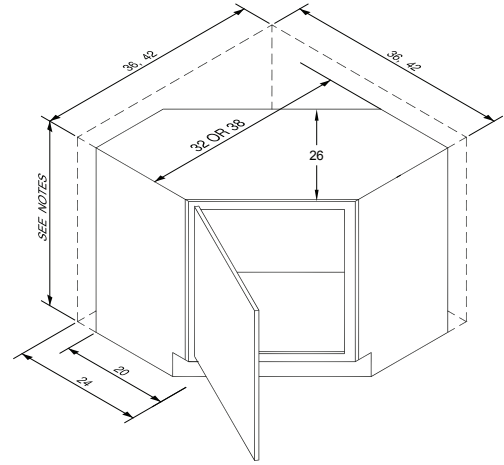
### MODIFICATION LIMITS

Width No width mods  
 Height 34-1/2" – 46-1/2"  
 Depth No depth mods

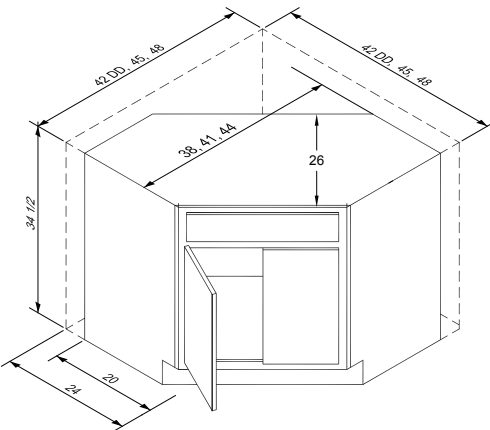
- Full 1/2" cabinet back
- No adjustable shelves
- Void between the back of the cabinet and the wall is approx. 4"
- Apply ITO modification for tip-out tray in lieu of false front



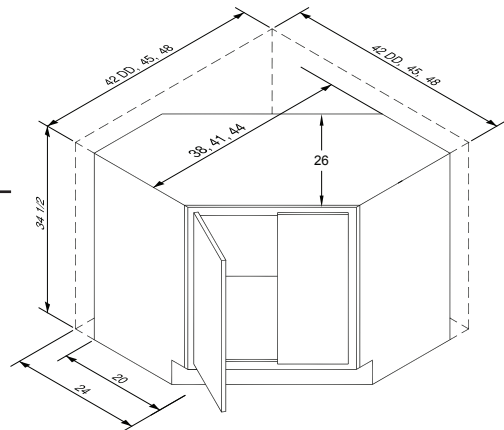
BSA  
 BSA36\*  
 BSA42\*



FBSA  
 FBSA36\*  
 FBSA42\*



BSA  
 BSA42DD  
 BSA45  
 BSA48



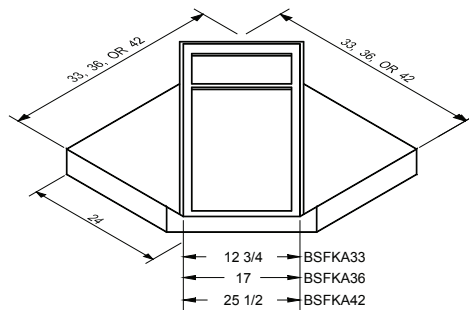
FBSA  
 FBSA42DD  
 FBSA45  
 FBSA48

## BASE & FULL BASE SINK FRONT KIT ANGLE

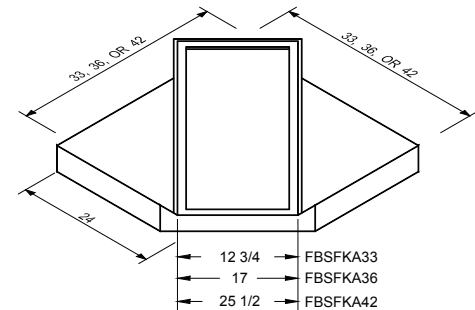
### MODIFICATION LIMITS

Width No width mods  
 Height 34-1/2" – 46-1/2"  
 Depth No depth mods

- Shipped unassembled
- Apply ITO modification for tip-out tray



BSFKA  
 BSFKA33\*  
 BSFKA36\*  
 BSFKA42\*



FBSFKA  
 FBSFKA33\*  
 FBSFKA36\*  
 FBSFKA42\*

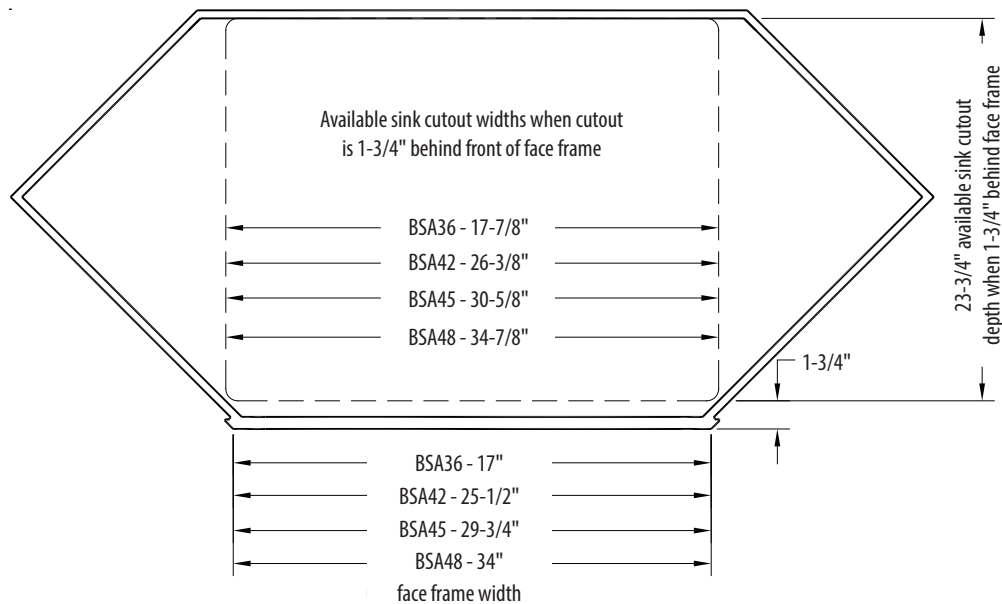
# Base Cabinets

\* L or R required

	C0	C1	C2	C4	C4A	C5	C7	C7A	C9	C9A	C10	C10A	C11	C12	C12A	C13	C13A	C14	C15	C16	
<b>BASE SINK ANGLE</b>																					
<b>BSA36*</b>	568	629	697	868	868	1172	700	700	829	829	860	860	931	953	953	999	999	1089	1265	1472	
<b>BSA42*</b>	633	726	823	1053	1053	1437	840	840	1006	1006	1045	1045	1068	1167	1167	1223	1223	1335	1554	1810	
<b>BSA42DD</b>	677	770	858	1087	1087	1504	880	880	1038	1038	1091	1091	1124	1221	1221	1280	1280	1398	1626	1894	
<b>BSA45</b>	773	880	980	1243	1243	1720	1006	1006	1186	1186	1247	1247	1286	1396	1396	1464	1464	1598	1859	2166	
<b>BSA48</b>	870	990	1104	1398	1398	1933	1131	1131	1335	1335	1403	1403	1445	1570	1570	1647	1647	1796	2091	2435	
<b>FULL BASE SINK ANGLE</b>																					
<b>FBSA36*</b>	551	612	680	851	851	1152	683	683	812	812	843	843	914	936	936	980	980	1068	1248	1452	
<b>FBSA42*</b>	616	709	806	1036	1036	1416	823	823	989	989	1026	1026	1053	1150	1150	1204	1204	1314	1537	1789	
<b>FBSA42DD</b>	660	753	841	1070	1070	1484	863	863	1021	1021	1074	1074	1107	1204	1204	1262	1262	1377	1610	1874	
<b>FBSA45</b>	755	860	962	1223	1223	1696	987	987	1167	1167	1226	1226	1265	1375	1375	1442	1442	1574	1840	2142	
<b>FBSA48</b>	848	968	1082	1375	1375	1908	1109	1109	1313	1313	1381	1381	1425	1548	1548	1623	1623	1771	2069	2410	

	C0	C1	C2	C4	C4A	C5	C7	C7A	C9	C9A	C10	C10A	C11	C12	C12A	C13	C13A	C14	C15	C16	
<b>BASE SINK FRONT KIT ANGLE</b>																					
<b>BSFKA33*</b>	427	446	463	527	527	689	492	492	505	505	534	534	560	563	563	590	590	641	717	831	
<b>BSFKA36*</b>	455	475	499	566	566	775	527	527	541	541	602	602	628	633	633	663	663	721	846	982	
<b>BSFKA42*</b>	478	500	534	607	607	906	568	568	582	582	704	704	729	739	739	773	773	843	1070	1243	
<b>FULL BASE SINK FRONT KIT ANGLE</b>																					
<b>FBSFKA33*</b>	410	429	446	509	509	667	475	475	488	488	517	517	543	546	546	572	572	621	700	811	
<b>FBSFKA36*</b>	438	458	482	548	548	753	510	510	524	524	585	585	611	616	616	644	644	702	829	962	
<b>FBSFKA42*</b>	461	483	517	590	590	885	551	551	565	565	687	687	712	722	722	756	756	823	1053	1223	

## Sink Angle Cutout Specifications



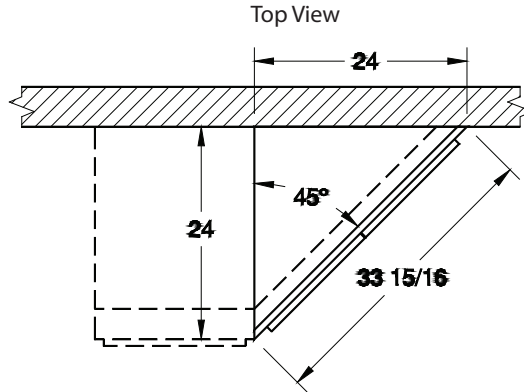
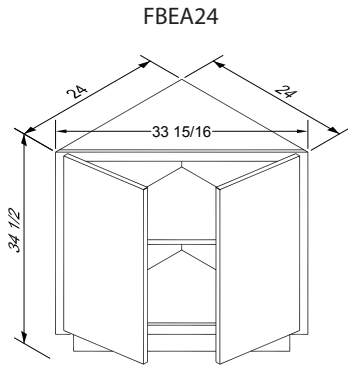
# Base Cabinets

## FULL BASE END ANGLE

### MODIFICATION LIMITS

Width No Width Mods  
 Height 16-1/2" – 46-1/2"  
 Depth No Depth Mods

- One 3/4" thick full depth adjustable shelf
- Cabinet is not designed to accept Finished End Panels
- BEA: apply 2FF mod. for two horizontal fronts



	C0	C1	C2	C4	C4A	C5	C7	C7A	C9	C9A	C10	C10A	C11	C12	C12A	C13	C13A	C14	C15	C16
<b>FULL BASE END ANGLE</b>																				
<b>FBEA24</b>	624	823	1002	1292	1292	1776	1152	1152	1233	1233	1347	1347	1386	1440	1440	1509	1509	1649	1927	2246

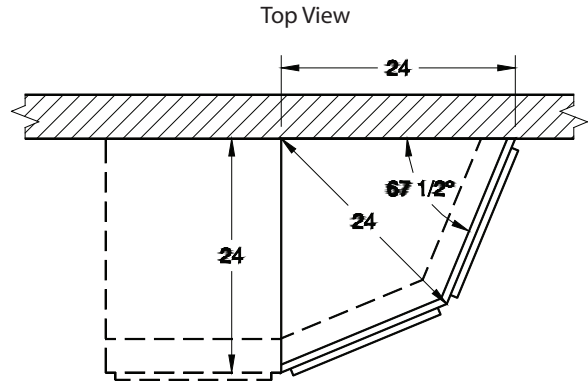
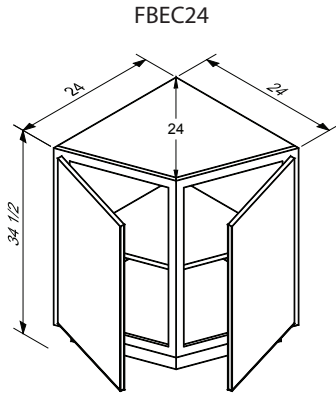
# Base Cabinets

## FULL BASE END CABINET

- One 3/4" thick full depth adjustable shelf
- Cabinet is not designed to accept Finished End Panels

### MODIFICATION LIMITS

Width No Width Mods  
 Height 16-1/2" – 46-1/2"  
 Depth No Depth Mods



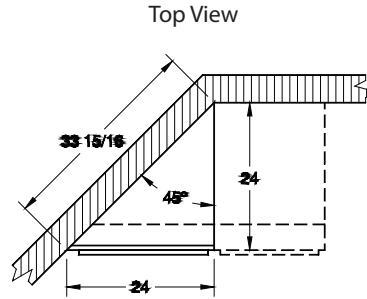
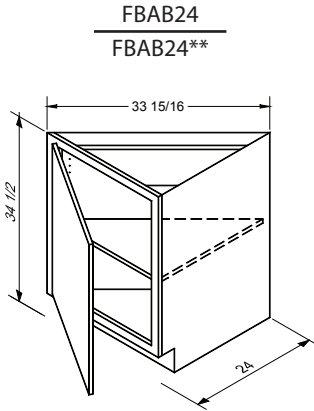
	C0	C1	C2	C4	C4A	C5	C7	C7A	C9	C9A	C10	C10A	C11	C12	C12A	C13	C13A	C14	C15	C16	
<b>FULL BASE END CABINET</b>																					
<b>FBEC24</b>	797	1055	1289	1665	1665	2293	1482	1482	1587	1587	1737	1737	1786	1855	1855	1945	1945	2127	2488	2902	

## FULL BASE ANGLE BACK

### MODIFICATION LIMITS

Width No Width Mods  
 Height 16-1/2" – 46-1/2"  
 Depth No Depth Mods

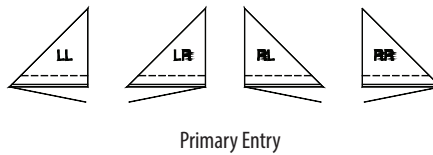
- One 3/4" thick full depth adjustable shelf
- Designed to accept Finished End Panel on 24" deep (90°) end
- First hinge callout designates side with angled back, and second callout is side on which door is hinged (See below)



FBAB24  
 FBAB24\*\*

	C0	C1	C2	C4	C4A	C5	C7	C7A	C9	C9A	C10	C10A	C11	C12	C12A	C13	C13A	C14	C15	C16
<b>FULL BASE ANGLE BACK</b>																				
<b>FBAB24**</b>	909	970	1040	1201	1201	1504	1062	1062	1170	1170	1204	1204	1296	1319	1319	1357	1357	1433	1587	1762

### Orientation & Hinging





# Base Cabinets

\*\* LL, LR, RL or RR required

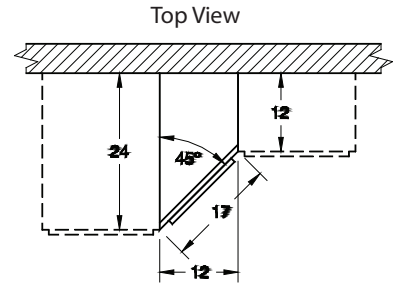
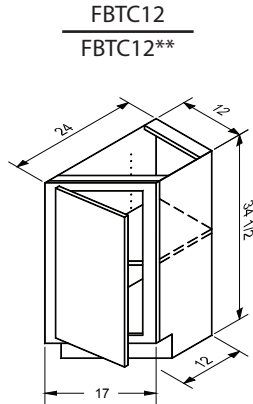
## FULL BASE TRANSITION CABINET

### MODIFICATION LIMITS

Width No Width Mods  
 Height 16-1/2" – 46-1/2"  
 Depth 18" – 30"

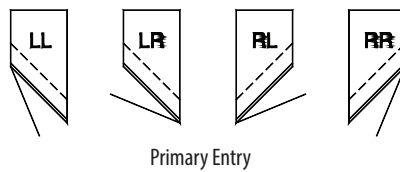
- One 3/4" thick full depth adjustable shelf
- Designed to accept Finished End Panel on shallow side only
- First hinge callout designates shallow side, second callout is side on which door is hinged (See below)

- Depth modifications made equally to both sides. Specify dimension of deeper side and shallow side will be adjusted accordingly.



	C0	C1	C2	C4	C4A	C5	C7	C7A	C9	C9A	C10	C10A	C11	C12	C12A	C13	C13A	C14	C15	C16
<b>FULL BASE TRANSITION CABINET</b>																				
<b>FBTC12**</b>	870	916	970	1104	1104	1384	982	982	1079	1079	1089	1089	1169	1191	1191	1223	1223	1286	1413	1559

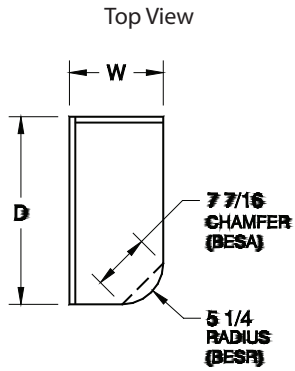
### Orientation & Hinging



## BASE END SHELF

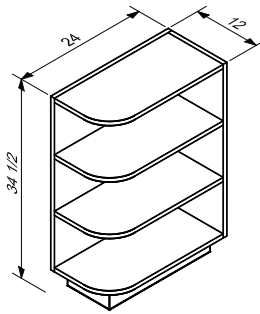
### MODIFICATION LIMITS

Width 6" – 12"  
 Height 29-1/4" – 46-1/2"  
 Depth 12" – 30"



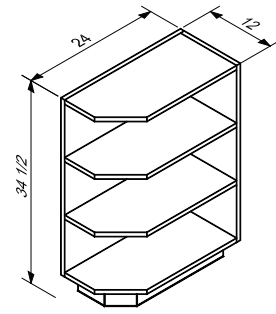
- 3/4" frameless construction finished to match frame on adjoining cabinets
- When height is modified the number of shelves increases or decreases accordingly

- Clearance between shelves ranges from a minimum of 8" to a maximum of 12"
- Right or Left determined by side of cabinet end shelf is to be applied to



ROUND END SHELF  
Right Shown

BESR	MSRP
BESR12*	519



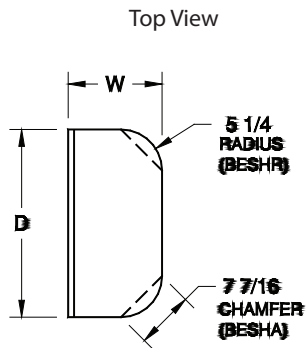
ANGLE END SHELF  
Right Shown

BESA	MSRP
BESA12*	519

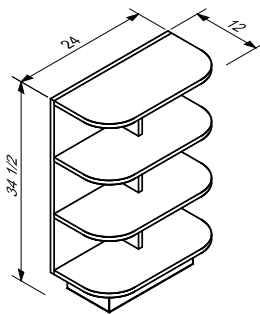
## BASE END SHELF HALF

### MODIFICATION LIMITS

Width 6" – 12"  
 Height 29-1/4" – 46-1/2"  
 Depth 12" – 30"

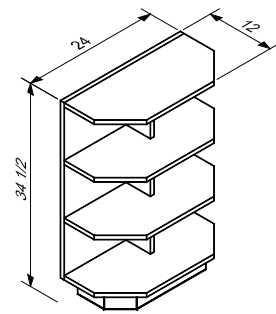


- See notes above



HALF ROUND END SHELF  
Reversible

BESHR	MSRP
BESHR12*	519



HALF ANGLE END SHELF  
Reversible

BESHA	MSRP
BESHA12*	519

# Base Cabinets

## BASE ISLAND END

### HOW TO ORDER

Style	# of Legs	"_"	*Width
BIE	2	-	20-1/2"

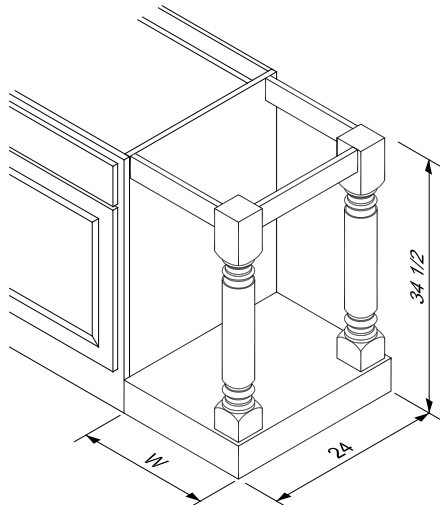
\*Specify width in 1/4" increments  
see modification limits for available sizes

- Designed to be applied to flush finished end of base height cabinets
- Cabinet may have standard or flush toekicks
- Reversible for right or left end cabinet application
- 3" tall upper valance

- 3-3/4" x 3-3/4" roman classic style legs
- 4-1/2" tall lower base
- Species available: Alder, Cherry, Maple and Red Oak only
- Ships assembled

### MODIFICATION LIMITS

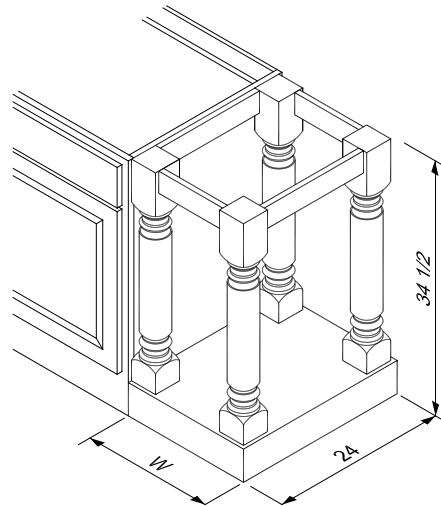
Width 15" - 24"  
Height No Height Mods  
Depth 24" - 36"



BIE2	MSRP
BIE2 (width)	2045

### MODIFICATION LIMITS

Width 18" - 24"  
Height No Height Mods  
Depth 24" - 36"



BIE4	MSRP
BIE4 (width)	3175

# Base Cabinets

## BASE ISLANDS

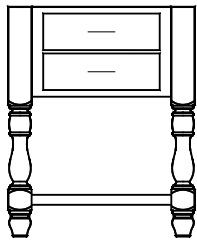
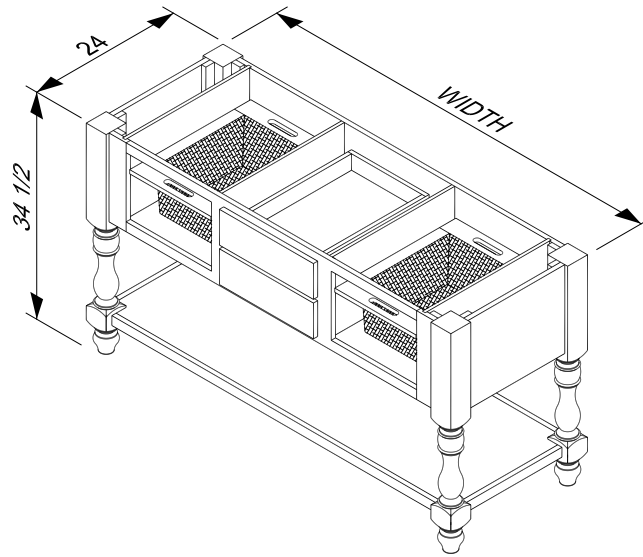
### MODIFICATION LIMITS

Width No Modifications  
 Height No Modifications  
 Depth 18" – 30" (Islands with drawers only)  
 No Modifications for Islands w/Wicker Baskets

- Plywood construction standard
- Finished back and sides standard
- Option to finish with Finished Furniture Back and Sides specify (-P) at end of nomenclature
- Door style will determine Finished Furniture Back and Sides style
- Shelf is 3/4" with SE96 applied
- Countertop not included
- Islands with Wicker Baskets will be FMI
- Wicker Baskets: pre-finished Natural, include clear plastic liner. Will not be refinished to match cabinet exterior.
- Openings around baskets have eased edge
- Drawers: hardwood dovetail construction with UMFEQ guides as standard
- Drawer opening: 4-1/2" H
- Note: Panels for mitered door styles will be M & T construction, interior edge profile will be our standard bead (like Brentwood) and surface of stiles and rails will be flat (no detail)
- **Not available:** -P option in Laminate or Slab door styles

### HOW TO ORDER

Style	# of Drawers	# of Wkr Baskets	Overall Width	Panel Option
BI	2D	2WB	64	-P

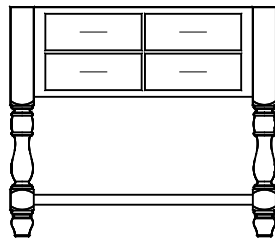


BI2D\_\_

BI2D28  
BI2D34

BI2D\_\_-P

BI2D28-P  
BI2D34-P

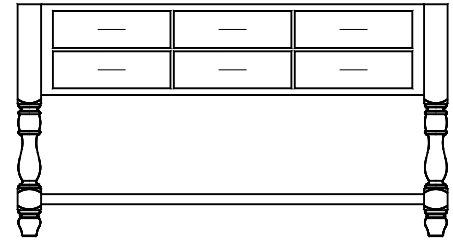


BI4D\_\_

BI4D40  
BI4D46  
BI4D52

BI4D\_\_-P

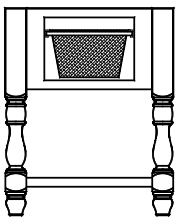
BI4D40-P  
BI4D46-P  
BI4D52-P



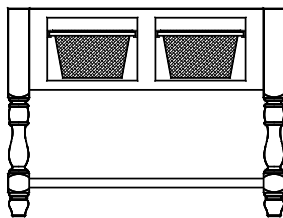
BI6D64 | BI6D64-P

BI1WB28

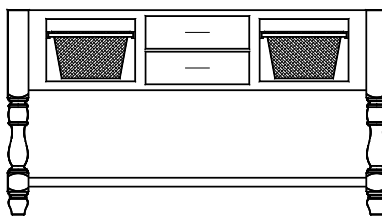
BI1WB28-P



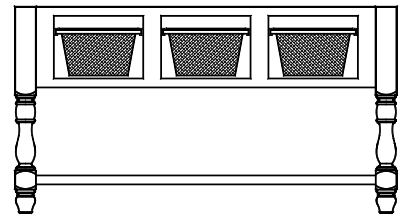
BI2WB46 | BI2WB46-P



BI2D2WB64 | BI2D2WB64-P



BI3WB64 | BI3WB64-P



# Base Cabinets

	C0	C1	C2	C4	C4A	C5	C7	C7A	C9	C9A	C10	C10A	C11	C12	C12A	C13	C13A	C14	C15	C16	
<b>BASE ISLAND with DRAWERS</b>																					
BI2D28	-	4803	4803	4803	4803	4803	4803	4803	4803	4803	4803	4803	4803	4803	4803	4803	4803	4803	4803	4803	
BI2D34	-	4959	4959	4959	4959	4959	4959	4959	4959	4959	4959	4959	4959	4959	4959	4959	4959	4959	4959	4959	
BI4D40	-	5559	5559	5559	5559	5559	5559	5559	5559	5559	5559	5559	5559	5559	5559	5559	5559	5559	5559	5559	
BI4D46	-	5719	5719	5719	5719	5719	5719	5719	5719	5719	5719	5719	5719	5719	5719	5719	5719	5719	5719	5719	
BI4D52	-	5877	5877	5877	5877	5877	5877	5877	5877	5877	5877	5877	5877	5877	5877	5877	5877	5877	5877	5877	
BI6D64	-	6611	6611	6611	6611	6611	6611	6611	6611	6611	6611	6611	6611	6611	6611	6611	6611	6611	6611	6611	
<b>BASE ISLAND with DRAWERS &amp; PANELS</b>																					
BI2D28-P	-	-	-	5030	5030	-	5030	5030	5030	5030	5030	5030	5030	5030	5030	5030	5030	5030	5030	5030	
BI2D34-P	-	-	-	5215	5215	-	5215	5215	5215	5215	5215	5215	5215	5215	5215	5215	5215	5215	5215	5215	
BI4D40-P	-	-	-	5839	5839	-	5839	5839	5839	5839	5839	5839	5839	5839	5839	5839	5839	5839	5839	5839	
BI4D46-P	-	-	-	6022	6022	-	6022	6022	6022	6022	6022	6022	6022	6022	6022	6022	6022	6022	6022	6022	
BI4D52-P	-	-	-	6204	6204	-	6204	6204	6204	6204	6204	6204	6204	6204	6204	6204	6204	6204	6204	6204	
BI6D64-P	-	-	-	6988	6988	-	6988	6988	6988	6988	6988	6988	6988	6988	6988	6988	6988	6988	6988	6988	

- Islands with -P are not available in Laminate or Slab door styles
- All Base Islands are priced with Slab drawer fronts. For DFMD matching drawer fronts, add \$153 MSRP per front for wood door styles and \$42 MSRP for Thermofoil door styles.

	C0	C1	C2	C4	C4A	C5	C7	C7A	C9	C9A	C10	C10A	C11	C12	C12A	C13	C13A	C14	C15	C16
<b>BASE ISLANDS with WICKER BASKETS</b>																				
BI1WB28	-	4635	4635	4635	4635	4635	4635	4635	4635	4635	4635	4635	4635	4635	4635	4635	4635	4635	4635	4635
BI2D2WB64	-	6326	6326	6326	6326	6326	6326	6326	6326	6326	6326	6326	6326	6326	6326	6326	6326	6326	6326	6326
BI2WB46	-	5478	5478	5478	5478	5478	5478	5478	5478	5478	5478	5478	5478	5478	5478	5478	5478	5478	5478	5478
BI3WB64	-	6380	6380	6380	6380	6380	6380	6380	6380	6380	6380	6380	6380	6380	6380	6380	6380	6380	6380	6380
<b>BASE ISLANDS with WICKER BASKETS &amp; PANELS</b>																				
BI1W28-P	-	-	-	4864	4864	-	4864	4864	4864	4864	4864	4864	4864	4864	4864	4864	4864	4864	4864	4864
BI2D2WB64-P	-	-	-	6703	6703	-	6703	6703	6703	6703	6703	6703	6703	6703	6703	6703	6703	6703	6703	6703
BI2WB46-P	-	-	-	5780	5780	-	5780	5780	5780	5780	5780	5780	5780	5780	5780	5780	5780	5780	5780	5780
BI3WB64-P	-	-	-	6757	6757	-	6757	6757	6757	6757	6757	6757	6757	6757	6757	6757	6757	6757	6757	6757

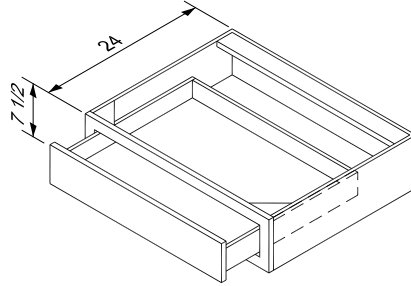
# Base Cabinets

## BASE DESK DRAWER CABINET

### MODIFICATION LIMITS

Width 12" - 36"  
 Height No Modifications  
 Depth 12" - 24"

- Top of drawer lines up with standard 5-7/16" H opening
- Drawer front of adjacent Base or Vanity drawer
- Cabinet is 7-1/2" H with 4-1/2" H frame
- Drawer box is 3-1/4" H
- Ends not finished



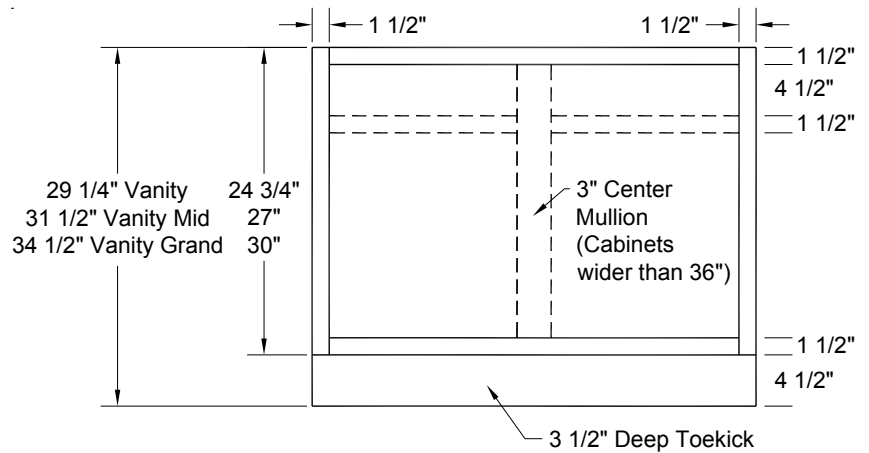
### BDDC1DWR

- BDDC18
- BDDC21
- BDDC24
- BDDC27
- BDDC30
- BDDC33
- BDDC36

BDDC1DWR	C0	C1	C2	C4	C4A	C5	C7	C7A	C9	C9A	C10	C10A	C11	C12	C12A	C13	C13A	C14	C15	C16
<b>BDDC18</b>	490	553	614	699	699	811	651	651	668	668	651	651	668	668	668	699	699	756	668	767
<b>BDDC21</b>	500	566	628	717	717	833	672	672	687	687	672	672	687	687	687	717	717	778	687	792
<b>BDDC24</b>	512	580	643	739	739	862	690	690	709	709	690	690	709	709	709	739	739	804	709	817
<b>BDDC27</b>	522	594	658	762	762	885	709	709	729	729	709	709	729	729	729	762	762	824	729	840
<b>BDDC30</b>	536	605	672	784	784	912	729	729	751	751	729	729	751	751	751	784	784	853	751	863
<b>BDDC33</b>	548	619	685	806	806	938	748	748	770	770	748	748	770	770	770	806	806	875	770	889
<b>BDDC36</b>	558	633	643	739	739	960	767	767	789	789	767	767	789	789	789	824	824	897	789	911

# Vanity Cabinets

## Typical Vanity, Vanity Mid, & Vanity Grand Configuration



**Note:**

- Cabinets wider than 36" have a 3" wide center mullion that is compatible with door color
- Height of cabinet determines quantity of adjustable shelves

## Standard door & drawer sizes

Door & Drawer Front Widths			
Cabinet Width	Traditional Overlay	Modified Overlay	Inset
9"	7"	8-1/2"	N/A
12"	10"	11-1/2"	8-13/16"
15"	13"	14-1/2"	11-13/16"
18"	16"	17-1/2"	14-13/16"
21"	19"	20-1/2"	17-13/16"
24"	22"	23-1/2"	20-13/16"
24" DD	(2) 10-15/16"	(2) 11-11/16"	(2) 10-11/32"
27"	(2) 12-7/16"	(2) 13-3/16"	(2) 11-27/32"
30"	(2) 13-15/16"	(2) 14-11/16"	(2) 13-11/32"
33"	(2) 15-7/16"	(2) 16-3/16"	(2) 14-27/32"
36"	(2) 16-15/16"	(2) 17-11/16"	(2) 16-11/32"
39"	(2) 17-1/2"	(2) 19"	(2) 16-5/16"
42"	(2) 19"	(2) 20-1/2"	(2) 17-13/16"
45"	(2) 20-1/2"	(2) 22"	(2) 19-5/16"
48"	(2) 22"	(2) 23-1/2"	(2) 20-13/16"

Door & Drawer Front Heights				
Cabinet Type	Modified & Traditional		Inset	
	Door	Fronts	Door	Fronts
FV	22-3/4"	-	21-9/16"	-
V	16-3/4"	5-7/16"	15-9/16"	4-5/16"
V2D	-	(2) 11-1/16"	-	(2) 9-15/16"
V3D	-	5-7/16" (2) 8-1/16"	-	4-5/16" (2) 6-15/16"
FVM	25"	-	23-13/16"	-
VM	19"	5-7/16"	17-13/16"	4-5/16"
VM2D	-	(2) 12-3/16"	-	(2) 11-1/16"
VM3D	-	5-7/16" 7-11/16" 10-11/16"	-	4-5/16" 6-9/16" 9-9/16"
VM4D	-	5-7/16" (3) 5-15/16"	-	4-5/16" (3) 4-13/16"
FVG	28"	-	26-13/16"	-
VG	22"	5-7/16"	20-13/16"	4-5/16"
VG2D	-	(2) 13-11/16"	-	(2) 12-9/16"
VG3D	-	5-7/16" (2) 10-11/16"	-	4-5/16" (2) 9-9/16"
VG4D	-	5-7/16" (3) 6-15/16"	-	4-5/16" (3) 5-13/16"

Non-Standard Door & Drawer Front Size Formulas			
Number of Doors & Fronts	Traditional Width	Modified Width	Inset Width
9" - 24" = 1 door, 9" - 36" = 1 drawer	Opening + 1"	Opening + 2-1/2"	Opening - 3/16"
24" DD - 36" = 2 doors, "butt" type	(Opening ÷ 2) + 7/16"	(Opening ÷ 2) + 1-3/16"	(Opening - 5/16") ÷ 2
>36" - 48" = 2 doors, fixed center mullion	Opening + 1"	Opening + 2-1/2"	Opening - 3/16"
	Traditional & Modified Height		Inset Height
Doors	Opening + 1"		Opening - 3/16"
Drawer Fronts	Opening + 15/16"		Opening - 3/16"

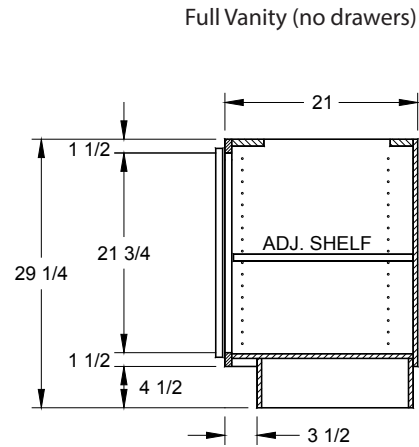
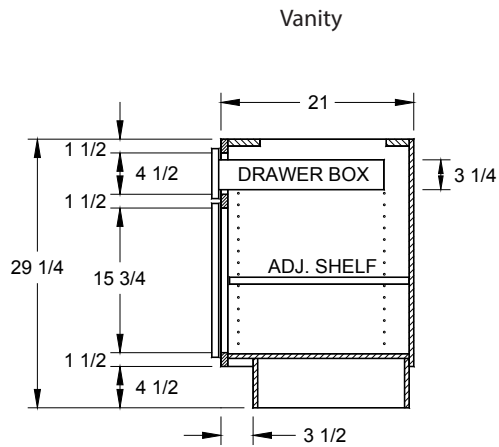
# Vanity Cabinets

## Vanity Cross Sections

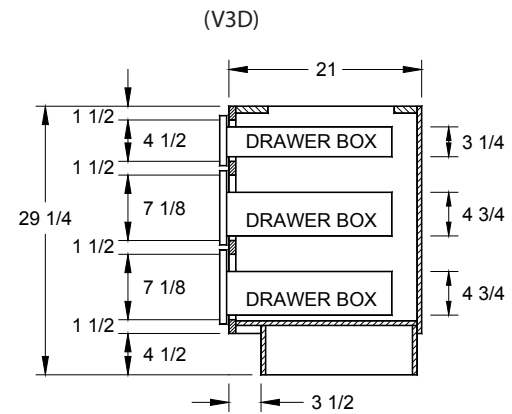
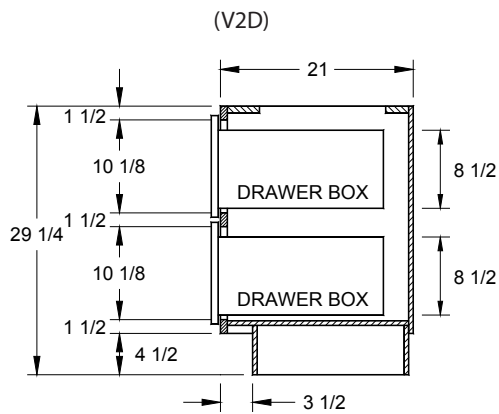
Find door & drawer front heights, widths and reveals on pg V-1

Cross sections feature drawer heights of hardwood drawers (HWDWR). Drawer heights of solid wood drawers (SWD) may vary slightly. Drawer front heights and openings are not affected.

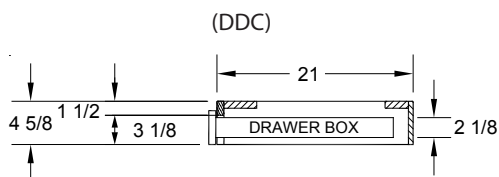
### Vanity (V\_) and Full Vanity (FV\_)



### Vanity Drawer Cabinets (V\_D)



### Desk Drawer Cabinet (DDC)





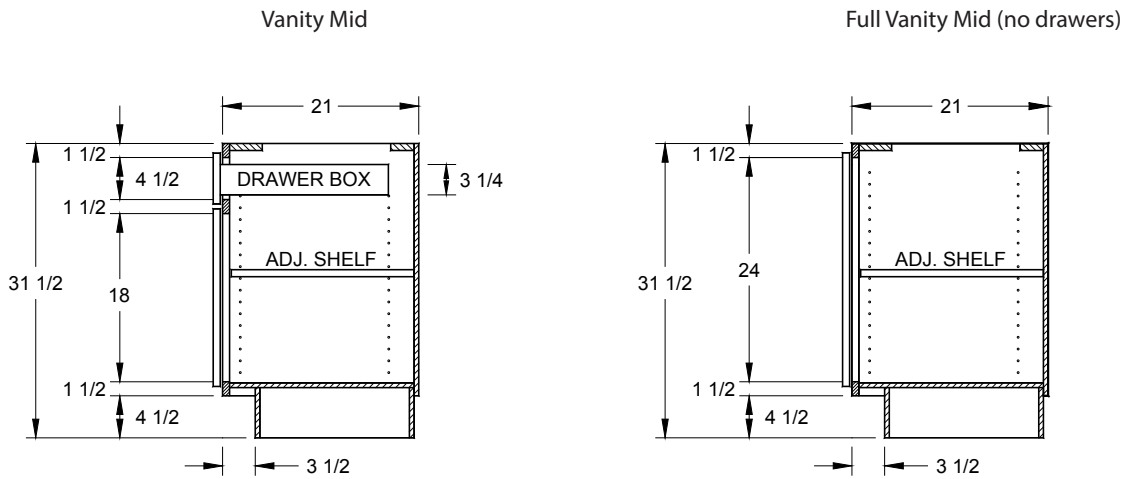
# Vanity Cabinets

## Vanity Mid Cross Sections

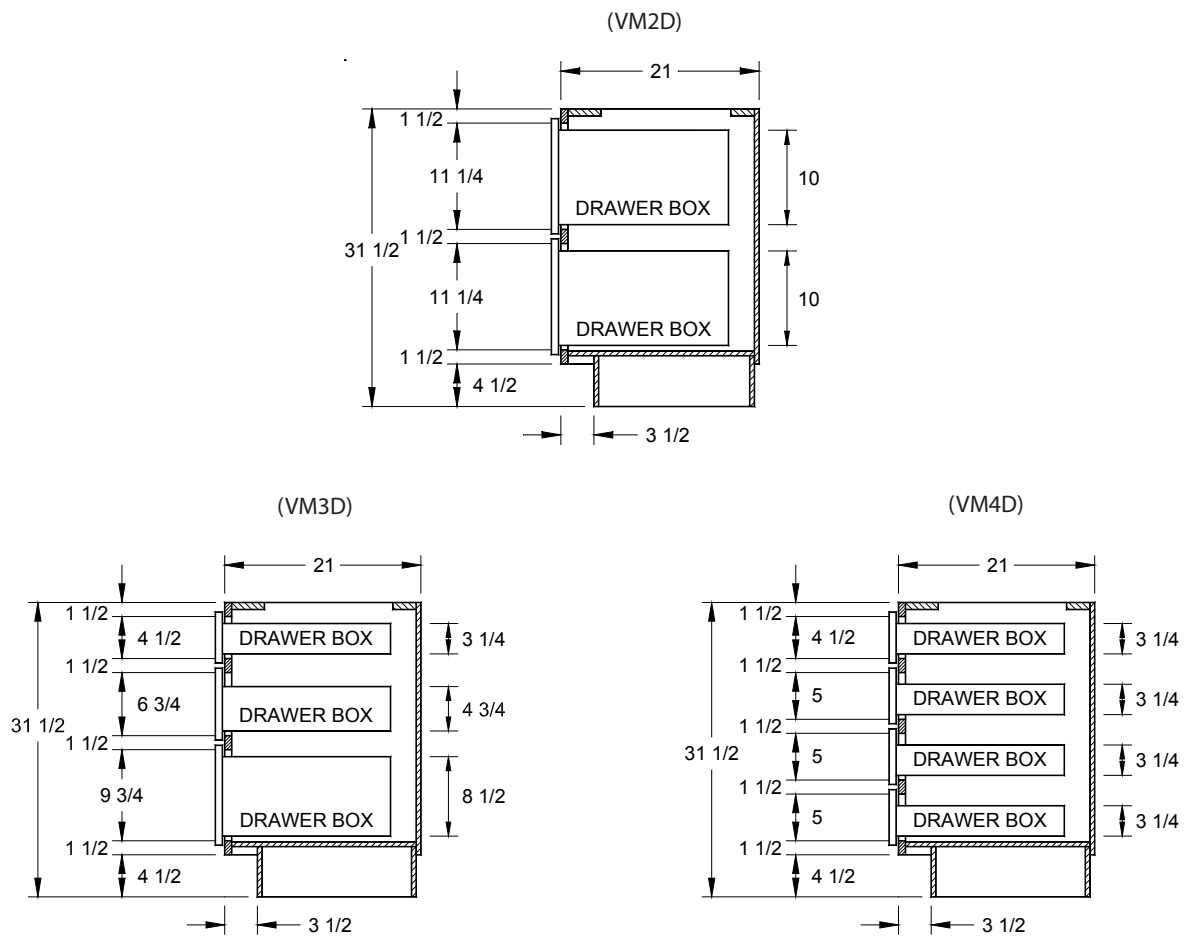
Find door & drawer front heights, widths and reveals on pg V-1

Cross sections feature drawer heights of hardwood drawers (HWDWR). Drawer heights of solid wood drawers (SWD) may vary slightly. Drawer front heights and openings are not affected.

### Vanity Mid (VM\_) and Full Vanity Mid (FVM\_)



### Vanity Mid Drawer Cabinets (VM\_D)



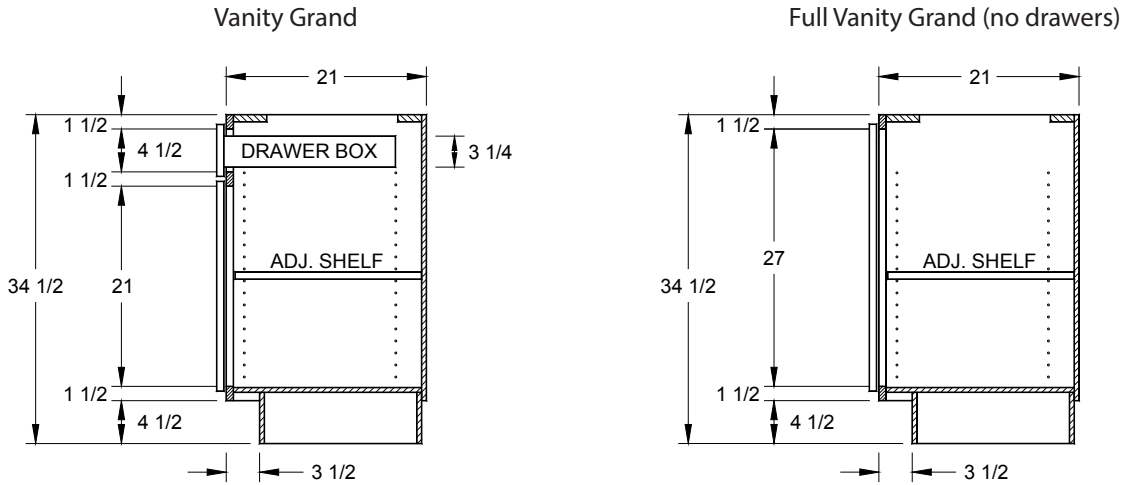
# Vanity Cabinets

## Vanity Grand Cross Sections

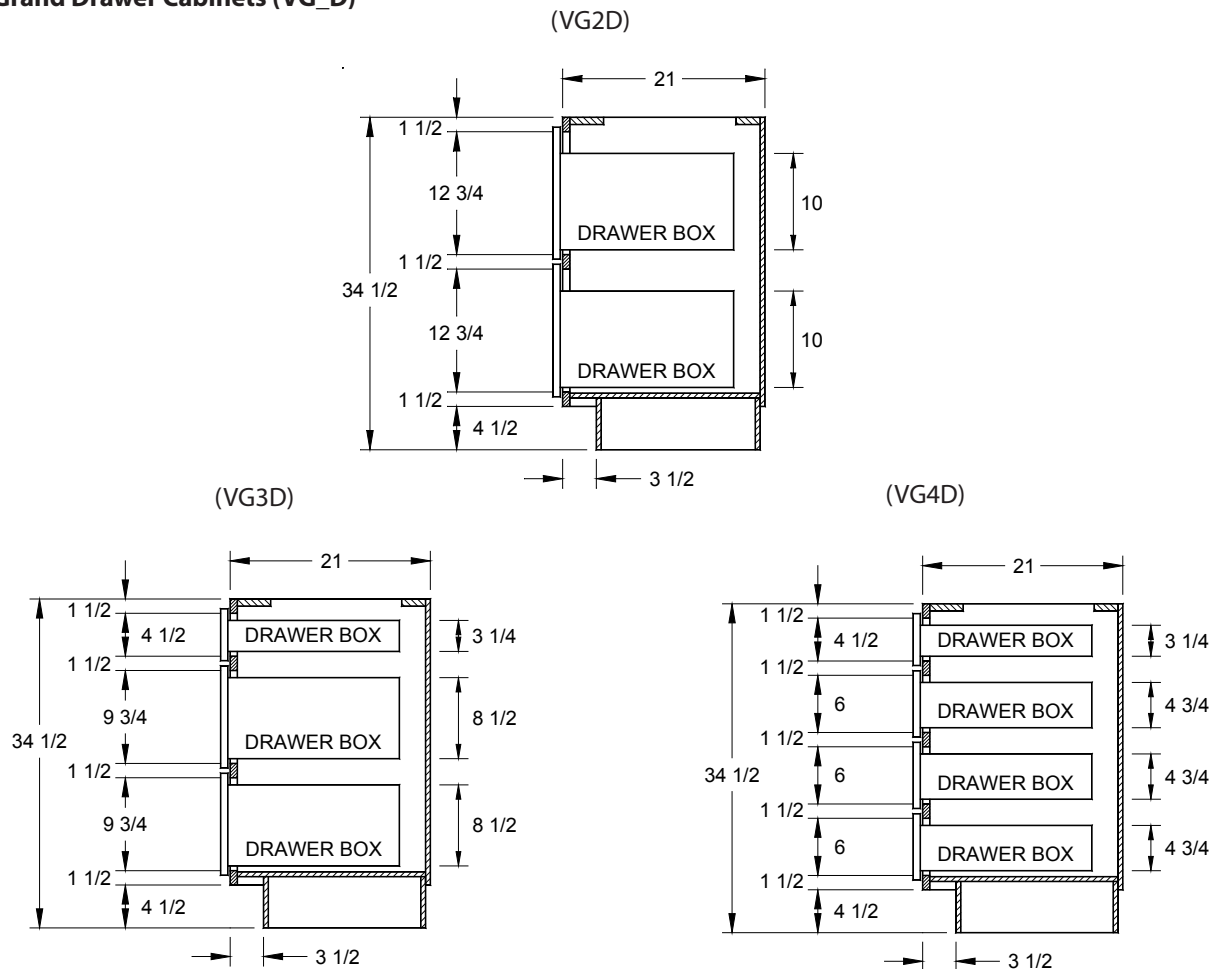
Find door & drawer front heights, widths and reveals on pg V-1

Cross sections feature drawer heights of hardwood drawers (HWDWR). Drawer heights of solid wood drawers (SWD) may vary slightly. Drawer front heights and openings are not affected.

### Vanity Grand (VG\_) and Full Vanity Grand (FVG\_)



### Vanity Grand Drawer Cabinets (VG\_D)



# Vanity Cabinets

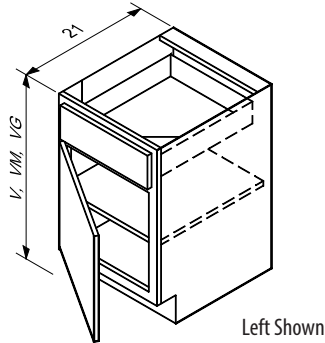
<< Page intentionally blank >>

## VANITY

- One 3/4" thick full-depth adjustable shelf
- Apply **RDV18** modification for 18" depth for other allowable depths use **RD** or **ID** modifications

### MODIFICATION LIMITS

Width 9" – 24"  
 Height 22-1/2" – 46-1/2"  
 Depth 12" – 30"

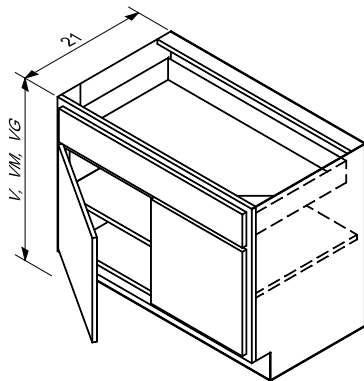


Vanity V1DR1DWR	Vanity Mid VM1DR1DWR	Vanity Grand VG1DR1DWR
V12*	VM12*	VG12*
V15*	VM15*	VG15*
V18*	VM18*	VG18*
V21*	VM21*	VG21*
V24*	VM24*	VG24*

### MODIFICATION LIMITS

Width 18" – 36" (21" min. for Inset)  
 Height 22-1/2" – 46-1/2"  
 Depth 12" – 30"

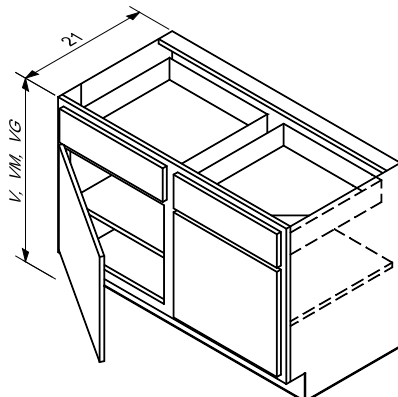
Apply **2DF1** mod. for two horizontal top drawers



Vanity V2DR1DWR	Vanity Mid VM2DR1DWR	Vanity Grand VG2DR1DWR
V24DD	VM24DD	VG24DD
V27	VM27	VG27
V30	VM30	VG30
V33	VM33	VG33
V36	VM36	VG36

### MODIFICATION LIMITS

Width 36-1/4" – 48"  
 Height 22-1/2" – 46-1/2"  
 Depth 12" – 30"



Vanity V2DR2DWR	Vanity Mid VM2DR2DWR	Vanity Grand VG2DR2DWR
V39	VM39	VG39
V42	VM42	VG42
V45	VM45	VG45
V48	VM48	VG48

# Vanity Cabinets

\* L or R required

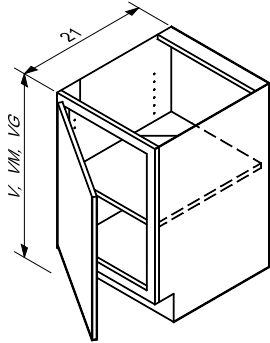
	C0	C1	C2	C4	C4A	C5	C7	C7A	C9	C9A	C10	C10A	C11	C12	C12A	C13	C13A	C14	C15	C16
<b>VANITY</b>																				
V12*	360	404	449	555	555	728	438	438	531	531	550	550	575	595	595	622	622	677	787	912
V15*	385	434	487	607	607	804	482	482	580	580	602	602	636	656	656	687	687	748	870	1009
V18*	410	465	522	658	658	882	524	524	629	629	653	653	697	719	719	753	753	819	955	1109
V21*	436	497	560	709	709	957	568	568	677	677	702	702	760	780	780	817	817	890	1036	1204
V24*	458	526	594	758	758	1031	609	609	724	724	751	751	817	840	840	879	879	958	1118	1299
V24DD	470	556	641	833	833	1068	653	653	795	795	826	826	877	870	870	911	911	994	1158	1347
V27	495	587	677	882	882	1204	695	695	843	843	875	875	938	979	979	1024	1024	1118	1304	1518
V30	573	667	762	987	987	1345	784	784	943	943	979	979	1052	1092	1092	1145	1145	1248	1459	1698
V33	597	697	799	1038	1038	1421	826	826	990	990	1028	1028	1113	1153	1153	1209	1209	1319	1540	1793
V36	622	728	834	1087	1087	1496	868	868	1038	1038	1077	1077	1172	1214	1214	1272	1272	1389	1623	1891
V39	672	802	929	1197	1197	1645	955	955	1143	1143	1187	1187	1292	1335	1335	1399	1399	1528	1786	2081
V42	697	833	967	1250	1250	1721	997	997	1192	1192	1238	1238	1353	1396	1396	1464	1464	1598	1867	2176
V45	722	863	1002	1299	1299	1798	1040	1040	1240	1240	1287	1287	1414	1457	1457	1528	1528	1669	1950	2274
V48	748	894	1040	1350	1350	1874	1082	1082	1287	1287	1343	1343	1476	1518	1518	1591	1591	1738	2034	2371
<b>VANITY MID</b>																				
VM12*	380	426	473	585	585	772	461	461	560	560	580	580	611	631	631	660	660	717	836	968
VM15*	407	458	512	639	639	855	509	509	612	612	634	634	678	699	699	731	731	795	926	1075
VM18*	432	490	551	695	695	940	555	555	665	665	690	690	745	767	767	802	802	873	1019	1184
VM21*	460	524	590	750	750	1019	602	602	716	716	743	743	811	829	829	868	868	946	1104	1282
VM24*	485	556	629	804	804	1106	646	646	768	768	797	797	877	899	899	941	941	1026	1197	1392
VM24DD	497	587	675	880	880	1187	692	692	840	840	872	872	936	965	965	1011	1011	1102	1287	1498
VM27	522	619	716	933	933	1257	738	738	892	892	926	926	1002	1023	1023	1070	1070	1169	1364	1586
VM30	561	665	767	1001	1001	1384	794	794	957	957	992	992	1082	1124	1124	1177	1177	1286	1501	1747
VM33	589	697	806	1057	1057	1467	840	840	1009	1009	1048	1048	1148	1191	1191	1247	1247	1362	1589	1852
VM36	614	729	845	1111	1111	1550	887	887	1060	1060	1106	1106	1216	1258	1258	1318	1318	1438	1682	1959
VM39	719	856	992	1279	1279	1737	1021	1021	1219	1219	1265	1265	1369	1409	1409	1477	1477	1613	1886	2198
VM42	745	887	1031	1333	1333	1803	1067	1067	1272	1272	1326	1326	1418	1460	1460	1531	1531	1672	1955	2279
VM45	772	921	1070	1386	1386	1871	1113	1113	1323	1323	1389	1389	1472	1516	1516	1589	1589	1735	2030	2366
VM48	797	953	1109	1442	1442	1971	1158	1158	1375	1375	1450	1450	1552	1598	1598	1674	1674	1828	2139	2495
<b>VANITY GRAND</b>																				
VG12*	387	432	480	595	595	787	470	470	570	570	590	590	622	643	643	673	673	733	851	987
VG15*	414	466	521	651	651	873	517	517	622	622	646	646	692	712	712	746	746	812	945	1097
VG18*	439	499	561	709	709	960	565	565	677	677	702	702	760	782	782	819	819	892	1040	1208
VG21*	466	533	600	763	763	1040	612	612	729	729	756	756	828	846	846	887	887	967	1126	1309
VG24*	494	566	641	819	819	1130	658	658	782	782	811	811	897	919	919	963	963	1050	1225	1425
VG24DD	505	597	687	895	895	1226	704	704	855	855	887	887	955	997	997	1045	1045	1140	1330	1547
VG27	531	629	728	950	950	1275	751	751	907	907	941	941	1024	1036	1036	1085	1085	1184	1382	1610
VG30	558	663	768	1006	1006	1398	797	797	960	960	996	996	1092	1135	1135	1189	1189	1297	1515	1764
VG33	585	697	807	1062	1062	1482	845	845	1014	1014	1053	1053	1160	1202	1202	1260	1260	1375	1606	1871
VG36	611	729	848	1118	1118	1567	892	892	1067	1067	1118	1118	1230	1272	1272	1333	1333	1455	1701	1983
VG39	734	873	1013	1304	1304	1767	1043	1043	1245	1245	1296	1296	1392	1433	1433	1503	1503	1640	1918	2235
VG42	760	906	1052	1360	1360	1828	1089	1089	1297	1297	1358	1358	1440	1482	1482	1554	1554	1698	1984	2313
VG45	787	940	1092	1414	1414	1894	1136	1136	1350	1350	1423	1423	1491	1535	1535	1610	1610	1757	2056	2396
VG48	812	974	1133	1472	1472	2005	1184	1184	1404	1404	1486	1486	1576	1623	1623	1701	1701	1859	2174	2536

## FULL VANITY

- One 3/4" thick full-depth adjustable shelf
- Apply **RDV18** modification for 18" depth  
for other allowable depths use **RD** or **ID** modifications

### MODIFICATION LIMITS

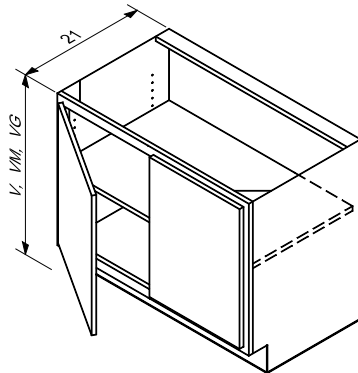
Width 9" – 24"  
Height 16-1/2" – 67-1/2"  
Depth 6" – 30"



Vanity	Vanity Mid	Vanity Grand
<u>FV1DR</u>	<u>FVM1DR</u>	<u>FVG1DR</u>
FV12*	FVM12*	FVG12*
FV15*	FVM15*	FVG15*
FV18*	FVM18*	FVG18*
FV21*	FVM21*	FVG21*
FV24*	FVM24*	FVG24*

### MODIFICATION LIMITS

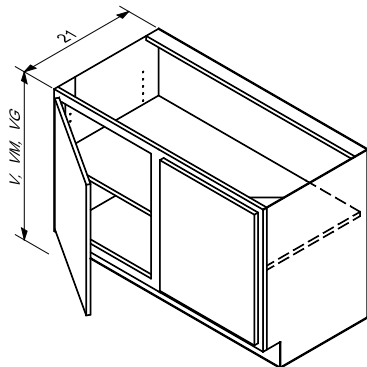
Width 18" – 36" (21" min. for Inset)  
Height 16-1/2" – 67-1/2"  
Depth 6" – 30"



Vanity	Vanity Mid	Vanity Grand
<u>FV2DR</u>	<u>FVM2DR</u>	<u>FVG2DR</u>
FV24DD	FVM24DD	FVG24DD
FV27	FVM27	FVG27
FV30	FVM30	FVG30
FV33	FVM33	FVG33
FV36	FVM36	FVG36

### MODIFICATION LIMITS

Width 36-1/4" – 48"  
Height 16-1/2" – 67-1/2"  
Depth 6" – 30"



Vanity	Vanity Mid	Vanity Grand
<u>FV2DR</u>	<u>FVM2DR</u>	<u>FVG2DR</u>
FV39	FVM39	FVG39
FV42	FVM42	FVG42
FV45	FVM45	FVG45
FV48	FVM48	FVG48

# Vanity Cabinets

\* L or R required

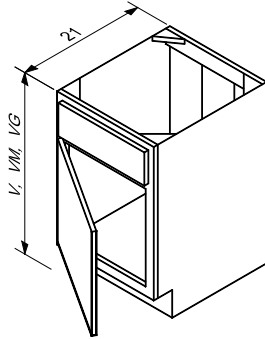
	C0	C1	C2	C4	C4A	C5	C7	C7A	C9	C9A	C10	C10A	C11	C12	C12A	C13	C13A	C14	C15	C16
<b>FULL VANITY</b>																				
FV12*	293	322	358	456	456	614	360	360	438	438	453	453	482	504	504	526	526	572	663	768
FV15*	312	348	390	500	500	685	395	395	478	478	495	495	539	561	561	587	587	638	741	858
FV18*	331	373	421	543	543	755	431	431	519	519	538	538	595	617	617	646	646	702	817	948
FV21*	349	397	453	585	585	824	466	466	560	560	580	580	651	673	673	704	704	767	892	1035
FV24*	368	424	485	629	629	895	504	504	602	602	628	628	707	731	731	765	765	833	970	1126
FV24DD	382	455	534	711	711	997	551	551	678	678	704	704	768	812	812	851	851	928	1080	1255
FV27	399	480	565	751	751	1067	587	587	717	717	745	745	824	868	868	909	909	990	1157	1345
FV30	417	505	597	794	794	1136	622	622	758	758	787	787	880	924	924	968	968	1055	1231	1431
FV33	436	529	628	836	836	1208	658	658	799	799	834	834	936	982	982	1029	1029	1123	1309	1523
FV36	455	555	660	879	879	1277	694	694	840	840	885	885	994	1038	1038	1087	1087	1186	1386	1613
FV39	509	612	722	958	958	1391	758	758	914	914	968	968	1084	1130	1130	1184	1184	1292	1508	1755
FV42	527	638	755	1002	1002	1460	795	795	957	957	1019	1019	1140	1186	1186	1243	1243	1357	1584	1845
FV45	546	661	785	1043	1043	1530	831	831	996	996	1070	1070	1196	1241	1241	1301	1301	1420	1660	1935
FV48	563	687	817	1085	1085	1601	867	867	1036	1036	1121	1121	1252	1299	1299	1362	1362	1487	1737	2023
<b>FULL VANITY MID</b>																				
FVM12*	315	346	383	490	490	663	387	387	470	470	487	487	521	543	543	568	568	617	717	829
FVM15*	336	371	419	538	538	739	424	424	514	514	533	533	583	605	605	633	633	689	801	928
FVM18*	354	399	451	582	582	814	463	463	558	558	578	578	644	667	667	697	697	758	882	1024
FVM21*	373	426	485	629	629	892	502	502	602	602	624	624	706	728	728	762	762	829	967	1121
FVM24*	392	453	519	677	677	970	541	541	646	646	678	678	767	790	790	828	828	902	1052	1221
FVM24DD	405	483	568	756	756	1070	589	589	722	722	750	750	828	872	872	912	912	994	1160	1348
FVM27	424	510	602	802	802	1146	628	628	767	767	795	795	889	933	933	977	977	1065	1243	1447
FVM30	444	538	636	848	848	1223	667	667	811	811	845	845	950	994	994	1041	1041	1136	1326	1542
FVM33	463	563	670	895	895	1301	706	706	855	855	901	901	1011	1057	1057	1107	1107	1208	1411	1643
FVM36	483	590	704	941	941	1377	743	743	899	899	955	955	1074	1118	1118	1172	1172	1279	1494	1740
FVM39	541	653	773	1026	1026	1501	816	816	980	980	1048	1048	1174	1219	1219	1277	1277	1394	1628	1898
FVM42	560	680	807	1074	1074	1579	855	855	1026	1026	1104	1104	1235	1280	1280	1343	1343	1465	1713	1994
FVM45	580	706	840	1119	1119	1655	892	892	1068	1068	1160	1160	1296	1342	1342	1406	1406	1537	1796	2093
FVM48	597	733	875	1165	1165	1732	931	931	1113	1113	1214	1214	1357	1404	1404	1470	1470	1606	1877	2190
<b>FULL VANITY GRAND</b>																				
FVG12*	322	353	392	502	502	678	395	395	480	480	497	497	534	556	556	582	582	633	734	851
FVG15*	343	380	427	550	550	756	434	434	526	526	544	544	597	619	619	648	648	704	819	950
FVG18*	361	407	461	595	595	834	473	473	570	570	590	590	660	682	682	714	714	777	904	1050
FVG21*	382	434	495	644	644	914	514	514	616	616	638	638	722	746	746	782	782	851	990	1150
FVG24*	400	461	531	692	692	996	553	553	661	661	695	695	787	811	811	848	848	924	1079	1253
FVG24DD	414	494	580	772	772	1094	600	600	738	738	765	765	846	890	890	933	933	1016	1186	1379
FVG27	432	521	614	819	819	1174	641	641	782	782	811	811	911	955	955	1001	1001	1091	1272	1481
FVG30	453	548	650	867	867	1252	680	680	828	828	865	865	974	1018	1018	1067	1067	1163	1357	1579
FVG33	471	575	683	914	914	1331	721	721	873	873	923	923	1036	1082	1082	1133	1133	1236	1445	1682
FVG36	492	602	717	962	962	1409	760	760	918	918	979	979	1099	1145	1145	1199	1199	1309	1530	1781
FVG39	551	667	790	1050	1050	1538	834	834	1002	1002	1074	1074	1202	1248	1248	1308	1308	1428	1669	1944
FVG42	570	694	824	1097	1097	1618	873	873	1048	1048	1131	1131	1265	1313	1313	1375	1375	1503	1755	2045
FVG45	590	721	858	1145	1145	1696	912	912	1092	1092	1189	1189	1330	1375	1375	1442	1442	1574	1840	2145
FVG48	609	748	894	1192	1192	1774	953	953	1138	1138	1245	1245	1392	1438	1438	1508	1508	1647	1925	2244

## VANITY SINK

- No adjustable shelves
- Full-height 1/2" thick back panels extend inward 5"
- Apply **FSB** modification for full-back option
- Apply **RDV18** modification for 18" depth for other allowable depths use **RD** or **ID** modifications

### MODIFICATION LIMITS

Width 9" – 24"  
 Height 22-1/2" – 46-1/2"  
 Depth 9" – 30"

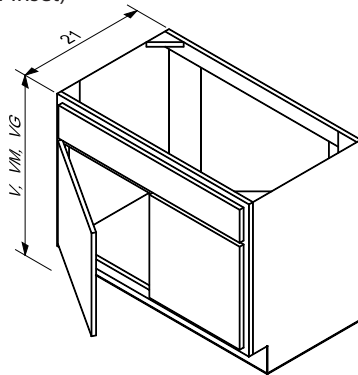


Vanity	Vanity Mid	Vanity Grand
<u>VS1DR1FF</u>	<u>VMS1DR1FF</u>	<u>VGS1DR1FF</u>
VS18*	VMS18*	VGS18*
VS21*	VMS21*	VGS21*
VS24*	VMS24*	VGS24*

### MODIFICATION LIMITS

Width 18" – 36" (21" min. for Inset)  
 Height 22-1/2" – 46-1/2"  
 Depth 9" – 30"

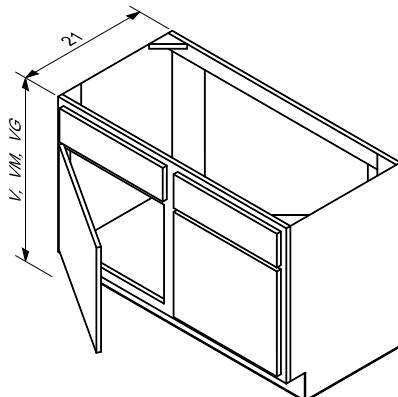
Apply **2FF** mod. for two horizontal top fronts



Vanity	Vanity Mid	Vanity Grand
<u>VS2DR1FF</u>	<u>VMS2DR1FF</u>	<u>VGS2DR1FF</u>
VS24DD	VMS24DD	VGS24DD
VS27	VMS27	VGS27
VS30	VMS30	VGS30
VS33	VMS33	VGS33
VS36	VMS36	VGS36

### MODIFICATION LIMITS

Width 36-1/4" – 48"  
 Height 22-1/2" – 46-1/2"  
 Depth 9" – 30"



Vanity	Vanity Mid	Vanity Grand
<u>VS2DR2FF</u>	<u>VMS2DR2FF</u>	<u>VGS2DR2FF</u>
VS39	VMS39	VGS39
VS42	VMS42	VGS42
VS45	VMS45	VGS45
VS48	VMS48	VGS48



# Vanity Cabinets

\* L or R required

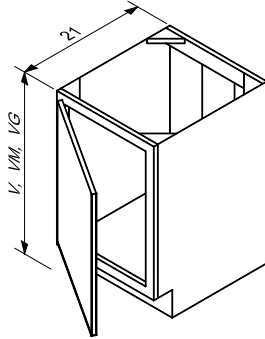
	C0	C1	C2	C4	C4A	C5	C7	C7A	C9	C9A	C10	C10A	C11	C12	C12A	C13	C13A	C14	C15	C16
<b>VANITY SINK</b>																				
VS18*	360	400	448	573	573	790	456	456	548	548	568	568	624	646	646	677	677	736	856	994
VS21*	365	412	466	607	607	843	482	482	580	580	602	602	667	689	689	721	721	785	912	1060
VS24*	382	436	499	653	653	912	521	521	624	624	648	648	722	745	745	780	780	850	989	1148
VS24DD	397	482	560	738	738	1031	575	575	706	706	731	731	797	840	840	879	879	958	1118	1299
VS27	404	505	590	782	782	1101	611	611	746	746	773	773	853	895	895	938	938	1023	1192	1387
VS30	421	531	622	824	824	1172	646	646	787	787	816	816	909	953	953	999	999	1089	1270	1477
VS33	438	555	653	867	867	1241	682	682	828	828	860	860	965	1009	1009	1057	1057	1153	1347	1567
VS36	455	556	685	909	909	1311	717	717	868	868	911	911	1021	1065	1065	1116	1116	1218	1421	1655
VS39	483	638	748	960	960	1372	790	790	916	916	955	955	1068	1114	1114	1167	1167	1274	1487	1732
VS42	492	663	780	1002	1002	1425	819	819	957	957	1002	1002	1113	1157	1157	1213	1213	1323	1545	1799
VS45	536	689	806	1082	1082	1460	856	856	1033	1033	1087	1087	1152	1186	1186	1243	1243	1357	1584	1845
VS48	555	714	834	1123	1123	1526	892	892	1072	1072	1136	1136	1202	1238	1238	1297	1297	1416	1655	1928
<b>VANITY MID SINK</b>																				
VMS18*	363	421	502	633	633	904	505	505	605	605	634	634	712	738	738	772	772	841	980	1138
VMS21*	373	456	546	656	656	923	570	570	628	628	682	682	729	753	753	787	787	858	999	1160
VMS24*	385	471	566	706	706	999	594	594	673	673	719	719	789	814	814	853	853	929	1084	1258
VMS24DD	405	495	589	767	767	1067	619	619	733	733	760	760	828	868	868	909	909	992	1157	1345
VMS27	422	509	605	811	811	1140	648	648	775	775	804	804	885	928	928	972	972	1058	1236	1437
VMS30	439	534	636	856	856	1213	673	673	817	817	848	848	943	987	987	1033	1033	1126	1314	1530
VMS33	458	558	668	901	901	1286	711	711	862	862	904	904	1002	1045	1045	1094	1094	1194	1394	1623
VMS36	468	577	699	946	946	1357	748	748	904	904	957	957	1060	1102	1102	1155	1155	1260	1470	1713
VMS39	507	661	797	1053	1053	1443	840	840	1006	1006	1058	1058	1138	1172	1172	1228	1228	1340	1565	1823
VMS42	522	685	828	1097	1097	1506	877	877	1048	1048	1111	1111	1187	1223	1223	1282	1282	1399	1635	1903
VMS45	546	711	856	1153	1153	1586	916	916	1101	1101	1174	1174	1248	1286	1286	1348	1348	1472	1720	2005
VMS48	563	734	889	1196	1196	1679	953	953	1141	1141	1226	1226	1323	1362	1362	1426	1426	1559	1822	2123
<b>VANITY GRAND SINK</b>																				
VGS18*	365	427	519	653	653	943	522	522	624	624	663	663	741	768	768	804	804	877	1021	1186
VGS21*	375	470	573	722	722	998	599	599	643	643	712	712	750	773	773	809	809	882	1028	1194
VGS24*	385	483	589	752	752	1029	617	617	690	690	745	745	811	838	838	877	877	957	1114	1296
VGS24DD	409	499	597	775	775	1079	634	634	741	741	782	782	838	879	879	919	919	1002	1170	1360
VGS27	427	510	611	821	821	1153	660	660	784	784	812	812	895	938	938	982	982	1072	1250	1453
VGS30	446	534	641	867	867	1226	682	682	828	828	862	862	955	997	997	1045	1045	1140	1330	1547
VGS33	465	558	673	912	912	1301	719	719	872	872	918	918	1014	1057	1057	1107	1107	1208	1409	1640
VGS36	473	583	704	960	960	1372	758	758	916	916	972	972	1072	1114	1114	1167	1167	1274	1487	1732
VGS39	516	668	812	1084	1084	1467	856	856	1035	1035	1092	1092	1157	1191	1191	1248	1248	1362	1591	1854
VGS42	533	692	843	1130	1130	1535	895	895	1079	1079	1146	1146	1209	1245	1245	1304	1304	1425	1664	1939
VGS45	550	717	873	1177	1177	1626	934	934	1123	1123	1202	1202	1282	1319	1319	1382	1382	1509	1766	2057
VGS48	566	741	906	1221	1221	1730	974	974	1165	1165	1257	1257	1362	1403	1403	1470	1470	1606	1877	2188

## FULL VANITY SINK

- No adjustable shelves
- Full-height 1/2" thick back panels extend inward 5"
- Apply **FSB** modification for full-back option
- Apply **RDV18** modification for 18" depth for other allowable depths use **RD** or **ID** modifications

### MODIFICATION LIMITS

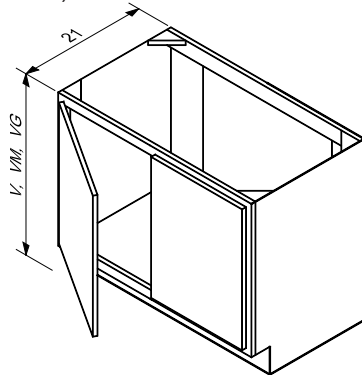
Width 9" – 24"  
 Height 16-1/2" – 46-1/2"  
 Depth 6" – 30"



Vanity	Vanity Mid	Vanity Grand
<u>FVS1DR</u>	<u>FVMS1DR</u>	<u>FVGS1DR</u>
FVS18*	FVMS18*	FVGS18*
FVS21*	FVMS21*	FVGS21*
FVS24*	FVMS24*	FVGS24*

### MODIFICATION LIMITS

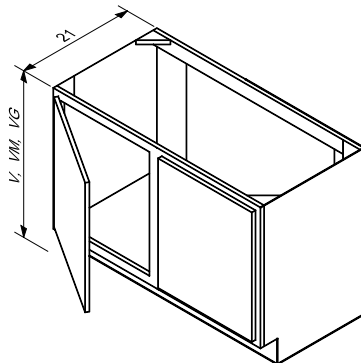
Width 18" – 36" (21" min. for Inset)  
 Height 16-1/2" – 46-1/2"  
 Depth 6" – 30"



Vanity	Vanity Mid	Vanity Grand
<u>FVS2DR</u>	<u>FVMS2DR</u>	<u>FVGS2DR</u>
FVS24DD	FVMS24DD	FVGS24DD
FVS27	FVMS27	FVGS27
FVS30	FVMS30	FVGS30
FVS33	FVMS33	FVGS33
FVS36	FVMS36	FVGS36

### MODIFICATION LIMITS

Width 36-1/4" – 48"  
 Height 16-1/2" – 46-1/2"  
 Depth 6" – 30"



Vanity	Vanity Mid	Vanity Grand
<u>FVS2DR</u>	<u>FVMS2DR</u>	<u>FVGS2DR</u>
FVS39	FVMS39	FVGS39
FVS42	FVMS42	FVGS42
FVS45	FVMS45	FVGS45
FVS48	FVMS48	FVGS48

# Vanity Cabinets

\* L or R required

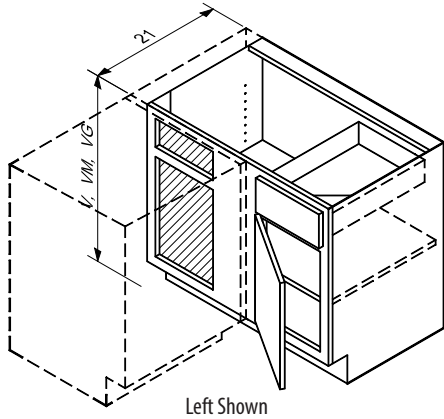
	C0	C1	C2	C4	C4A	C5	C7	C7A	C9	C9A	C10	C10A	C11	C12	C12A	C13	C13A	C14	C15	C16
<b>FULL VANITY SINK</b>																				
FVS18*	317	378	438	563	563	765	444	444	539	539	560	560	604	626	626	655	655	712	828	960
FVS21*	334	405	466	605	605	836	478	478	580	580	607	607	658	683	683	714	714	778	904	1050
FVS24*	351	432	495	648	648	907	512	512	621	621	655	655	712	741	741	773	773	845	980	1140
FVS24DD	368	460	524	690	690	979	546	546	661	661	702	702	767	799	799	833	833	911	1057	1230
FVS27	385	487	553	733	733	1050	580	580	702	702	750	750	821	856	856	892	892	977	1133	1319
FVS30	402	514	582	775	775	1121	614	614	743	743	797	797	875	914	914	951	951	1043	1209	1409
FVS33	419	541	611	817	817	1192	648	648	784	784	845	845	929	972	972	1011	1011	1109	1286	1499
FVS36	436	568	639	860	860	1264	682	682	824	824	892	892	984	1029	1029	1070	1070	1175	1362	1589
FVS39	453	595	668	902	902	1335	716	716	865	865	940	940	1038	1087	1087	1130	1130	1241	1438	1679
FVS42	470	622	697	945	945	1406	750	750	906	906	987	987	1092	1145	1145	1189	1189	1308	1515	1769
FVS45	487	650	726	987	987	1477	784	784	946	946	1035	1035	1146	1202	1202	1248	1248	1374	1591	1859
FVS48	504	677	755	1029	1029	1548	817	817	987	987	1082	1082	1201	1260	1260	1308	1308	1440	1667	1949
<b>FULL VANITY MID SINK</b>																				
FVMS18*	336	400	475	597	597	819	471	471	572	572	592	592	648	670	670	700	700	762	887	1028
FVMS21*	353	427	504	639	639	890	505	505	612	612	639	639	702	728	728	760	760	828	963	1118
FVMS24*	370	455	533	682	682	962	539	539	653	653	687	687	756	785	785	819	819	894	1040	1208
FVMS24DD	387	482	561	724	724	1033	573	573	694	694	734	734	811	843	843	879	879	960	1116	1297
FVMS27	404	509	590	767	767	1104	607	607	734	734	782	782	865	901	901	938	938	1026	1192	1387
FVMS30	421	536	619	809	809	1175	641	641	775	775	829	829	919	958	958	997	997	1092	1269	1477
FVMS33	438	563	648	851	851	1247	675	675	816	816	877	877	974	1016	1016	1057	1057	1158	1345	1567
FVMS36	455	590	677	894	894	1318	709	709	856	856	924	924	1028	1074	1074	1116	1116	1225	1421	1657
FVMS39	471	617	706	936	936	1389	743	743	897	897	972	972	1082	1131	1131	1175	1175	1291	1498	1747
FVMS42	488	644	734	979	979	1460	777	777	938	938	1019	1019	1136	1189	1189	1235	1235	1357	1574	1837
FVMS45	505	672	763	1021	1021	1531	811	811	979	979	1067	1067	1191	1247	1247	1294	1294	1423	1650	1927
FVMS48	522	699	792	1063	1063	1603	845	845	1019	1019	1114	1114	1245	1304	1304	1353	1353	1489	1727	2017
<b>FULL VANITY GRAND SINK</b>																				
FVGS18*	341	407	487	609	609	838	480	480	582	582	604	604	661	683	683	716	716	778	906	1052
FVGS21*	358	434	516	651	651	909	514	514	622	622	651	651	716	741	741	775	775	845	982	1141
FVGS24*	375	461	544	694	694	980	548	548	663	663	699	699	770	799	799	834	834	911	1058	1231
FVGS24DD	392	488	573	736	736	1052	582	582	704	704	746	746	824	856	856	894	894	977	1135	1321
FVGS27	409	516	602	778	778	1123	616	616	745	745	794	794	879	914	914	953	953	1043	1211	1411
FVGS30	426	543	631	821	821	1194	650	650	785	785	841	841	933	972	972	1013	1013	1109	1287	1501
FVGS33	443	570	660	863	863	1265	683	683	826	826	889	889	987	1029	1029	1072	1072	1175	1364	1591
FVGS36	460	597	689	906	906	1336	717	717	867	867	936	936	1041	1087	1087	1131	1131	1241	1440	1681
FVGS39	477	624	717	948	948	1408	751	751	907	907	984	984	1096	1145	1145	1191	1191	1308	1516	1771
FVGS42	494	651	746	990	990	1479	785	785	948	948	1031	1031	1150	1202	1202	1250	1250	1374	1593	1861
FVGS45	510	678	775	1033	1033	1550	819	819	989	989	1079	1079	1204	1260	1260	1309	1309	1440	1669	1950
FVGS48	527	706	804	1075	1075	1621	853	853	1029	1029	1126	1126	1258	1318	1318	1369	1369	1506	1745	2040

## VANITY SQUARE CORNER

- One 3/4" thick full-depth adjustable shelf
- Right or Left determined by side voided
- For incorrect swing: remove door, drawer and drawer hardware and install on opposite side
- When depth is modified, return (adjacent) depth does not change
- Cabinet may need to be pulled so drawer clears adjacent appliance handle or drawer hardware (See specifications below)
- **Not available: RDV18 modification**

### MODIFICATION LIMITS

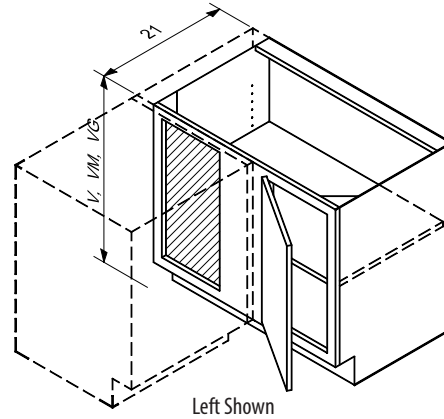
Width No Width Mods  
 Height 22-1/2" – 46-1/2"  
 Depth 12" – 30"



Left Shown

### MODIFICATION LIMITS

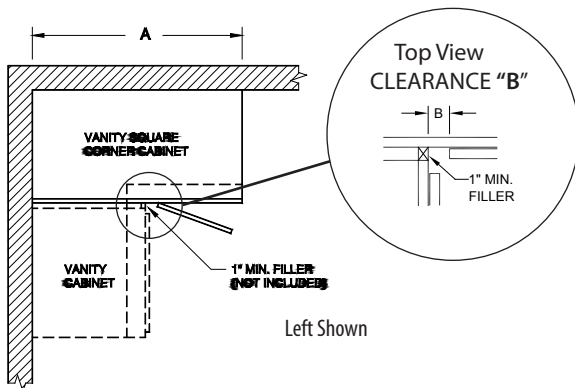
Width No Width Mods  
 Height 16-1/2" – 46-1/2"  
 Depth 12" – 30"



Left Shown

Vanity VSC1DR1DWR	Vanity Mid VMSC1DR1DWR	Vanity Grand VGSC1DR1DWR	Vanity FVSC1DR	Vanity Mid FVMSC1DR	Vanity Grand FVGSC1DR
VSC33-36*	VMSC33-36*	VGSC33-36*	FVSC33-36*	FVMSC33-36*	FVGSC33-36*
VSC36-39*	VMSC36-39*	VGSC36-39*	FVSC36-39*	FVMSC36-39*	FVGSC36-39*
VSC39-42*	VMSC39-42*	VGSC39-42*	FVSC39-42*	FVMSC39-42*	FVGSC39-42*

### Vanity Square Corner Specifications



Left Shown

- Maximum recommended pull is 3"
- **Dimension "A"** – Minimum callout space – see chart for actual cabinet width
- **Dimension "B"** – Clearance between return cabinet and edge of door or drawer. Does not include depth of door, drawer or hardware on return cabinet.

Cabinet Size	Actual Width	Frame Opening Width	Traditional Overlay "B" at "A"	Modified Overlay "B" at "A"
VSC33-36	27"	7-1/2"	2-1/2" at 33"	1-3/4" at 33"
VSC36-39	33"	10-1/2"	2-1/2" at 36"	1-3/4" at 36"
VSC39-42	39"	13-1/2"	2-1/2" at 39"	1-3/4" at 39"

# Vanity Cabinets

\* L or R required

	C0	C1	C2	C4	C4A	C5	C7	C7A	C9	C9A	C10	C10A	C11	C12	C12A	C13	C13A	C14	C15	C16
<b>VANITY SQUARE CORNER</b>																				
VSC33-36*	582	643	655	782	782	990	629	629	746	746	773	773	785	807	807	845	845	921	1074	1248
VSC36-39*	605	667	690	833	833	1050	673	673	795	795	826	826	831	855	855	895	895	975	1138	1323
VSC39-42*	629	738	728	884	884	1126	716	716	845	845	877	877	890	916	916	958	958	1046	1221	1420
<b>VANITY MID SQUARE CORNER</b>																				
VMSC33-36*	599	661	673	804	804	1019	648	648	768	768	797	797	807	831	831	870	870	948	1106	1286
VMSC36-39*	624	685	711	858	858	1080	692	692	819	819	850	850	855	880	880	921	921	1004	1172	1362
VMSC39-42*	648	760	748	909	909	1158	736	736	868	868	901	901	916	943	943	987	987	1077	1257	1462
<b>VANITY GRAND SQUARE CORNER</b>																				
VGSC33-36*	616	680	692	828	828	1050	667	667	790	790	819	819	831	855	855	895	895	975	1138	1323
VGSC36-39*	641	706	731	882	882	1113	712	712	843	843	875	875	880	906	906	948	948	1035	1206	1403
VGSC39-42*	667	782	770	936	936	1192	758	758	894	894	928	928	943	970	970	1016	1016	1107	1294	1506
<b>FULL VANITY SQUARE CORNER</b>																				
FVSC33-36*	502	539	546	668	668	860	536	536	638	638	661	661	682	702	702	734	734	801	929	1080
FVSC36-39*	512	555	563	689	689	897	553	553	658	658	682	682	711	733	733	767	767	834	972	1128
FVSC39-42*	531	585	597	733	733	974	590	590	700	700	726	726	770	792	792	829	829	904	1055	1226
<b>FULL VANITY MID SQUARE CORNER</b>																				
FVMSC33-36*	516	555	561	687	687	885	550	550	656	656	680	680	702	722	722	756	756	823	957	1111
FVMSC36-39*	526	570	578	709	709	924	570	570	678	678	704	704	733	753	753	789	789	858	1001	1162
FVMSC39-42*	546	602	614	755	755	1001	607	607	721	721	748	748	792	816	816	855	855	931	1085	1262
<b>FULL VANITY GRAND SQUARE CORNER</b>																				
FBGSC33-36*	531	572	578	706	706	911	566	566	675	675	700	700	722	743	743	777	777	846	985	1145
FBGSC36-39*	541	587	595	729	729	951	585	585	697	697	722	722	753	775	775	811	811	884	1029	1196
FBGSC39-42*	561	619	631	775	775	1031	624	624	741	741	768	768	816	840	840	879	879	958	1118	1299

# Vanity Cabinets

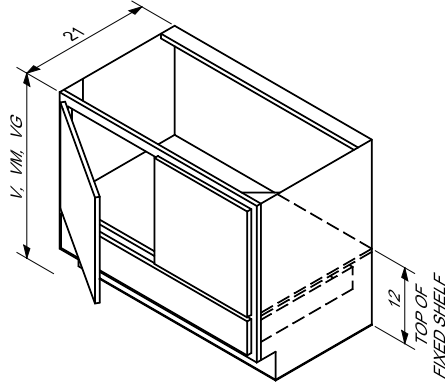
## VANITY REVERSE

- No adjustable shelves
- Full 1/2" thick back
- Apply **RDV18** modification for 18" depth  
for other allowable depths use **RD** or **ID** modifications

### MODIFICATION LIMITS

Width 18DD" – 36" (21" min. for Inset)  
 Height 22-1/2" – 46-1/2"  
 Depth 12" – 30"

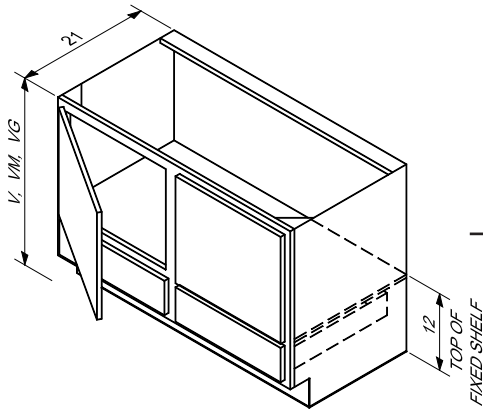
Apply **2DF1** mod. for two horizontal top drawers



Vanity VR2DR1DWR	Vanity Mid VMR2DR1DWR	Vanity Grand VGR2DR1DWR
VR24DD	VMR24DD	VGR24DD
VR27	VMR27	VGR27
VR30	VMR30	VGR30
VR33	VMR33	VGR33
VR36	VMR36	VGR36

### MODIFICATION LIMITS

Width 36-1/4" – 48"  
 Height 22-1/2" – 46-1/2"  
 Depth 12" – 30"



Vanity VR2DR2DWR	Vanity Mid VMR2DR2DWR	Vanity Grand VGR2DR2DWR
VR39	VMR39	VGR39
VR42	VMR42	VGR42
VR45	VMR45	VGR45
VR48	VMR48	VGR48

# Vanity Cabinets

	C0	C1	C2	C4	C4A	C5	C7	C7A	C9	C9A	C10	C10A	C11	C12	C12A	C13	C13A	C14	C15	C16
<b>VANITY REVERSE</b>																				
VR24DD	483	570	655	846	846	1085	667	667	809	809	840	840	890	884	884	926	926	1009	1172	1364
VR27	509	600	690	897	897	1221	709	709	856	856	889	889	951	992	992	1040	1040	1133	1318	1533
VR30	587	680	775	1002	1002	1362	797	797	957	957	992	992	1065	1106	1106	1158	1158	1264	1472	1715
VR33	611	711	812	1052	1052	1437	840	840	1004	1004	1043	1043	1126	1167	1167	1223	1223	1335	1554	1810
VR36	636	741	848	1102	1102	1513	882	882	1052	1052	1092	1092	1186	1228	1228	1287	1287	1404	1637	1906
VR39	685	816	943	1213	1213	1662	968	968	1157	1157	1201	1201	1306	1348	1348	1413	1413	1543	1799	2096
VR42	711	846	980	1264	1264	1738	1011	1011	1206	1206	1252	1252	1367	1409	1409	1477	1477	1613	1881	2193
VR45	736	877	1016	1314	1314	1815	1053	1053	1253	1253	1301	1301	1428	1470	1470	1542	1542	1684	1964	2290
VR48	762	907	1053	1364	1364	1891	1096	1096	1301	1301	1357	1357	1489	1531	1531	1606	1606	1754	2047	2386
<b>VANITY REVERSE MID</b>																				
VMR24DD	510	600	689	894	894	1204	706	706	853	853	885	885	950	979	979	1026	1026	1118	1301	1513
VMR27	536	633	729	948	948	1274	751	751	906	906	940	940	1016	1036	1036	1085	1085	1184	1377	1603
VMR30	573	675	777	1013	1013	1398	806	806	967	967	1004	1004	1094	1135	1135	1189	1189	1297	1516	1764
VMR33	599	706	816	1065	1065	1479	848	848	1018	1018	1057	1057	1158	1201	1201	1257	1257	1372	1603	1866
VMR36	622	738	853	1119	1119	1560	894	894	1068	1068	1114	1114	1223	1267	1267	1326	1326	1448	1691	1971
VMR39	709	848	984	1270	1270	1760	1014	1014	1211	1211	1257	1257	1386	1428	1428	1496	1496	1633	1910	2225
VMR42	734	880	1023	1323	1323	1842	1058	1058	1262	1262	1318	1318	1450	1492	1492	1564	1564	1708	1996	2327
VMR45	760	911	1060	1375	1375	1923	1102	1102	1313	1313	1379	1379	1515	1559	1559	1633	1633	1784	2086	2432
VMR48	785	941	1097	1428	1428	2005	1148	1148	1364	1364	1440	1440	1579	1623	1623	1701	1701	1859	2174	2536
<b>VANITY REVERSE GRAND</b>																				
VGR24DD	519	611	700	909	909	1243	717	717	868	868	901	901	968	1011	1011	1058	1058	1155	1343	1564
VGR27	544	643	741	965	965	1292	765	765	921	921	957	957	1038	1050	1050	1101	1101	1201	1396	1625
VGR30	568	673	777	1016	1016	1409	807	807	970	970	1007	1007	1102	1145	1145	1199	1199	1309	1530	1781
VGR33	594	704	816	1070	1070	1492	851	851	1021	1021	1062	1062	1169	1211	1211	1269	1269	1386	1618	1884
VGR36	617	736	855	1124	1124	1576	897	897	1074	1074	1124	1124	1235	1279	1279	1340	1340	1464	1710	1991
VGR39	717	858	997	1289	1289	1793	1029	1029	1230	1230	1280	1280	1411	1453	1453	1523	1523	1664	1945	2268
VGR42	743	890	1036	1342	1342	1876	1074	1074	1280	1280	1343	1343	1477	1520	1520	1593	1593	1740	2035	2373
VGR45	767	921	1074	1396	1396	1959	1119	1119	1331	1331	1404	1404	1543	1587	1587	1664	1664	1818	2127	2480
VGR48	792	953	1113	1450	1450	2042	1165	1165	1384	1384	1467	1467	1610	1654	1654	1733	1733	1894	2217	2585

## VANITY & FULL VANITY MID, GRAND HAMPERS

### White Wire Hamper:

- 14 1/2" W x 18 1/2" H x 18 3/4" D
- Removable epoxy-coated basket with 3/4 extension guides
- **Not available:** RDV18 modification
- **Not available:** Inset door styles

### Bottom Mount Pull-out Hamper:

- 14-1/4" W x 21" H x 20" D plastic bin
- Soft open/close, full-extension guides
- Pull-out is mounted to door
- **Modifications:** (-BM cabinets)  
No Width or Height modifications
- Cabinet Depth: 21" - 30" (only cab increases)

### MODIFICATION LIMITS

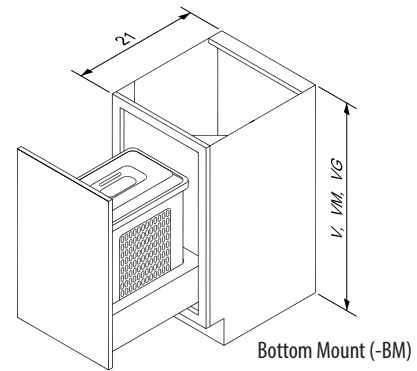
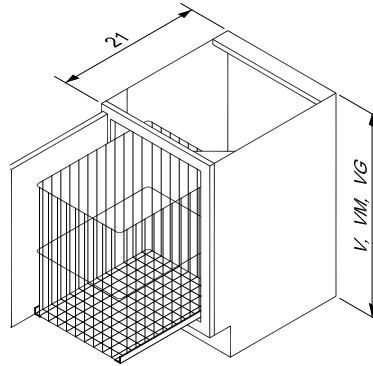
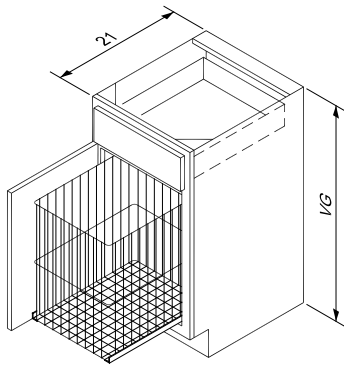
Width 18" - 21"  
Height 34-1/2" - 46-1/2"  
Depth 21" - 30"  
(only cabinet increases)

Vanity Grand  
VGH1DR1DWR  
VGH18\*  
VGH21\*

### MODIFICATION LIMITS

(White wire hampers only)  
Width 18" - 21"  
Height 29-1/4" - 46-1/2"  
Depth 21" - 30"  
(only cabinet increases)

Full Vanity	Full Vanity Mid or Grand
FVH__	FV(M or G) H__
FVH18*	FV_H18*
FVH21*	FV_H21*
FVHP18-BM	FV_HP18-BM



	C0	C1	C2	C4	C4A	C5	C7	C7A	C9	C9A	C10	C10A	C11	C12	C12A	C13	C13A	C14	C15	C16
<b>VANITY GRAND HAMPER</b>																				
VGH18*	758	789	845	1026	1026	1357	838	838	980	980	1018	1018	1077	1102	1102	1155	1155	1260	1448	1686
VGH21*	814	853	914	1114	1114	1484	1113	1113	1063	1063	1104	1104	1175	1204	1204	1262	1262	1377	1586	1847
<b>FULL VANITY HAMPER</b>																				
FVH18*	583	609	655	804	804	1068	650	650	768	768	797	797	848	870	870	911	911	994	1158	1347
FVH21*	629	661	712	877	877	1174	709	709	838	838	870	870	931	955	955	1001	1001	1091	1272	1481
FVHP18-BM	1806	1849	1896	2018	2018	2230	1906	1906	1994	1994	2013	2013	2071	2093	2093	2122	2122	2178	2293	2424
<b>FULL VANITY MID HAMPER</b>																				
FVMH18*	660	690	743	912	912	1216	736	736	872	872	904	904	963	989	989	1035	1035	1130	1318	1533
FVMH21*	714	750	809	997	997	1336	911	911	951	951	987	987	1058	1085	1085	1138	1138	1241	1448	1688
FVMHP18-BM	1830	1874	1927	2057	2057	2290	1939	1939	2034	2034	2054	2054	2120	2142	2142	2173	2173	2234	2357	2500
<b>FULL VANITY GRAND HAMPER</b>																				
FVGH18*	690	721	777	955	955	1274	770	770	912	912	946	946	1009	1035	1035	1084	1084	1182	1381	1606
FVGH21*	746	785	846	1043	1043	1399	1045	1045	996	996	1033	1033	1107	1136	1136	1191	1191	1299	1518	1767
FVGH21*	1837	1883	1937	2071	2071	2310	1949	1949	2045	2045	2066	2066	2135	2157	2157	2190	2190	2252	2379	2525



# Vanity Cabinets

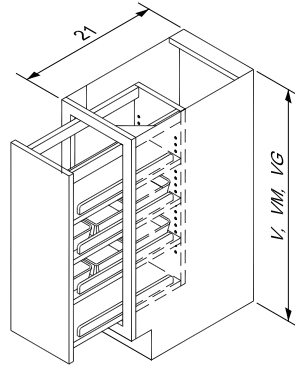
## FULL VANITY PULL-OUT ORGANIZER

### MODIFICATION LIMITS

Width No width mods  
 Height No height mods  
 Depth 21" - 30"  
 (only cabinet depth changes)

- Pull-out features adjustable wood shelves with non-skid liners and clear plastic bins
- Maple/Natural wood shelves
- Soft-close undermount guides
- Pull-out dimensions:  
 FVP/FVMP: 8" W x 20-1/4" H x 19" D  
 FVGP: 8" W x 25-1/2" H x 19" D

- Allow clearance adjacent to pull-out for hardware, appliances and mouldings when pull-out is open
- Min. cabinet openings:  
 FVP/FVMP12: 9" W x 20-3/4" H x 19-1/2" D  
 FVGP12: 9" W x 26" H x 19-1/2" D



F (V,VM,VG) P_	C0	C1	C2	C4	C4A	C5	C7	C7A	C9	C9A	C10	C10A	C11	C12	C12A	C13	C13A	C14	C15	C16
<b>FVP12</b>	1747	1776	1811	1910	1910	2067	1813	1813	1891	1891	1906	1906	1935	1957	1957	1979	1979	2025	2117	2222
<b>FVMP12</b>	1769	1799	1837	1944	1944	2117	1840	1840	1923	1923	1940	1940	1974	1996	1996	2022	2022	2071	2171	2283
<b>FVGP12</b>	2073	2103	2142	2252	2252	2429	2145	2145	2230	2230	2247	2247	2285	2307	2307	2332	2332	2383	2485	2602

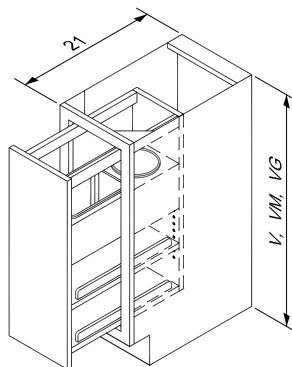
## FULL VANITY APPLIANCE PULL-OUT

### MODIFICATION LIMITS

Width No width mods  
 Height No height mods  
 Depth 21" - 30"  
 (only cabinet depth changes)

- Pull-out features adjustable wood shelves with non-skid liners and two stainless steel bins for styling & grooming appliances
- Maple/Natural wood shelves
- Soft-close undermount guides
- Pull-out dimensions:  
 FVAP/FVMAP: 8" W x 20-1/4" H x 19" D  
 FVGAP: 8" W x 25-1/2" H x 19" D

- Allow clearance adjacent to pull-out for hardware, appliances and mouldings when pull-out is open
- Min. cabinet openings:  
 FVAP/FVMAP12: 9" W x 20-3/4" H x 19-1/2" D  
 FVGAP12: 9" W x 26" H x 19-1/2" D



F (V,VM,VG)AP_	C0	C1	C2	C4	C4A	C5	C7	C7A	C9	C9A	C10	C10A	C11	C12	C12A	C13	C13A	C14	C15	C16
<b>FVAP12</b>	1426	1455	1491	1589	1589	1747	1492	1492	1570	1570	1586	1586	1615	1637	1637	1659	1659	1704	1796	1901
<b>FVMAP12</b>	1448	1479	1516	1623	1623	1796	1520	1520	1603	1603	1620	1620	1654	1676	1676	1701	1701	1750	1850	1962
<b>FVGAP12</b>	1642	1672	1711	1822	1822	1998	1715	1715	1799	1799	1816	1816	1854	1876	1876	1901	1901	1952	2054	2171

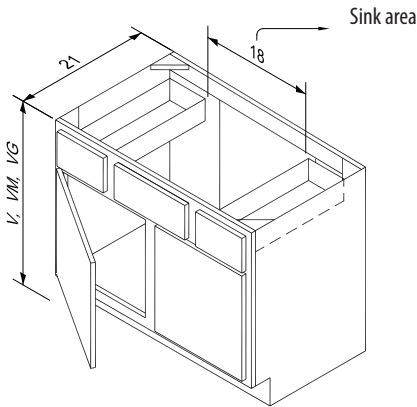
# Vanity Cabinets

## VANITY COMBINATION - 2 DOOR

- No adjustable shelves
- Width reduction taken from drawers equally
- Cabinets 48" W and less have full-height 1/2" thick back panels that extend inward from each side of cabinet to support drawer hardware
- Cabinets over 48" W have full-width 1/2" thick back panels (Use **FSB** modification for full-back option)
- 39" W cabinets have a 3" fixed center mullion in face frame
- Apply **RDV18** modification for 18" depth for other allowable depths use **RD** or **ID** modifications
- Apply **ITO** modification for tip-out tray

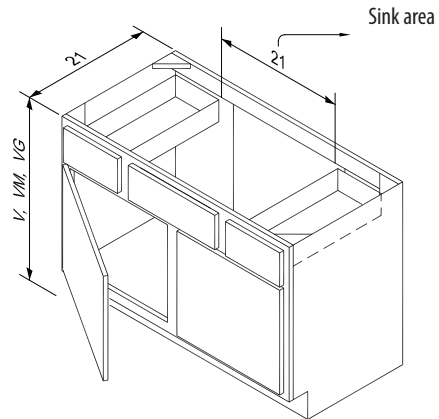
### MODIFICATION LIMITS

Width 33" – 39"  
 Height 22-1/2" – 46-1/2"  
 Depth 12" – 30"



### MODIFICATION LIMITS

Width 39-1/4" – 48"  
 Height 22-1/2" – 46-1/2"  
 Depth 12" – 30"



Vanity	Vanity Mid	Vanity Grand
VCOM2DR2DWR	VMCOM2DR2DWR	VGCOM2DR2DWR
VCOM33	VMCOM33	VGCOM33
VCOM36	VMCOM36	VGCOM36
VCOM39*	VMCOM39*	VGCOM39*

Vanity	Vanity Mid	Vanity Grand
VCOM2DR2DWR	VMCOM2DR2DWR	VGCOM2DR2DWR
VCOM42	VMCOM42	VGCOM42
VCOM45	VMCOM45	VGCOM45
VCOM48	VMCOM48	VGCOM48

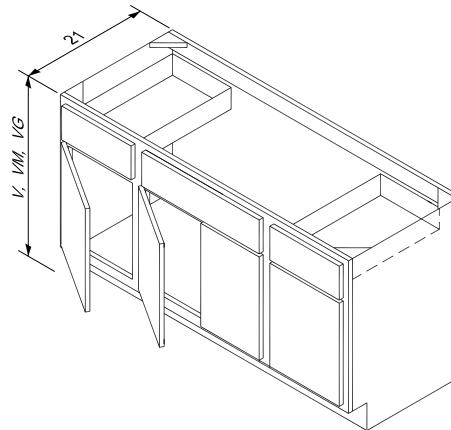
## VANITY COMBINATION - 4 DOOR

### MODIFICATION LIMITS

Width\*\* 49" – 60"  
 Height 22-1/2" – 46-1/2"  
 Depth 12" – 30"

\*\* Reduction taken from drawers equally

- See notes above
- Apply 2FF mod. for two horizontal top fronts on sink area



CABINET CONFIGURATIONS		
Cabinet Width	Sink/Door area width	Drawer area widths
Four Door cabinets		
51	27"	12"
54	24"	15"
57	27"	15"
60	30"	15"
<b>Note:</b> these are <u>not</u> door or drawer front dimensions (refer to pg V-1)		

Vanity	Vanity Mid	Vanity Grand
VCOM4DR2DWR	VMCOM4DR2DWR	VGCOM4DR2DWR
VCOM51	VMCOM51	VGCOM51
VCOM54	VMCOM54	VGCOM54
VCOM57	VMCOM57	VGCOM57
VCOM60	VMCOM60	VGCOM60

# Vanity Cabinets

	C0	C1	C2	C4	C4A	C5	C7	C7A	C9	C9A	C10	C10A	C11	C12	C12A	C13	C13A	C14	C15	C16
<b>VANITY COMBINATION</b>																				
<b>VCOM33</b>	555	695	829	1060	1060	1448	833	833	1013	1013	1052	1052	1135	1175	1175	1231	1231	1345	1570	1828
<b>VCOM36</b>	575	722	863	1107	1107	1521	872	872	1057	1057	1097	1097	1192	1235	1235	1294	1294	1413	1650	1922
<b>VCOM39</b>	631	782	928	1189	1189	1625	940	940	1135	1135	1179	1179	1282	1318	1318	1381	1381	1508	1762	2054
<b>VCOM42</b>	651	809	960	1235	1235	1686	980	980	1179	1179	1225	1225	1340	1367	1367	1433	1433	1565	1828	2130
<b>VCOM45</b>	673	836	994	1282	1282	1762	1019	1019	1223	1223	1270	1270	1387	1428	1428	1498	1498	1635	1842	2147
<b>VCOM48</b>	694	863	1026	1319	1319	1776	1058	1058	1258	1258	1308	1308	1398	1440	1440	1509	1509	1649	1872	2183
<b>VCOM51</b>	904	1055	1107	1330	1330	1791	1077	1077	1269	1269	1318	1250	1409	1452	1452	1521	1521	1662	1923	2242
<b>VCOM54</b>	923	1075	1131	1340	1340	1840	1094	1094	1279	1279	1328	1328	1448	1491	1491	1564	1564	1708	1927	2246
<b>VCOM57</b>	933	1089	1148	1377	1377	1849	1124	1124	1314	1314	1365	1365	1455	1498	1498	1570	1570	1715	2005	2337
<b>VCOM60</b>	946	1104	1163	1406	1406	1879	1148	1148	1342	1342	1392	1392	1479	1523	1523	1596	1596	1743	1966	2291
<b>VANITY MID COMBINATION</b>																				
<b>VMCOM33</b>	631	794	946	1213	1213	1659	951	951	1158	1158	1202	1202	1297	1345	1345	1409	1409	1538	1798	2096
<b>VMCOM36</b>	655	824	985	1265	1265	1743	996	996	1208	1208	1253	1253	1364	1413	1413	1481	1481	1618	1891	2203
<b>VMCOM39</b>	719	892	1060	1360	1360	1862	1074	1074	1297	1297	1347	1347	1469	1509	1509	1582	1582	1728	2020	2356
<b>VMCOM42</b>	741	924	1097	1387	1387	1932	1121	1121	1325	1325	1386	1386	1535	1565	1565	1642	1642	1793	2096	2444
<b>VMCOM45</b>	768	955	1136	1467	1467	2025	1163	1163	1399	1399	1447	1447	1593	1640	1640	1720	1720	1879	2117	2620
<b>VMCOM48</b>	790	985	1174	1515	1515	2035	1209	1209	1445	1445	1501	1501	1599	1649	1649	1728	1728	1888	2151	2508
<b>VMCOM51</b>	940	1106	1225	1521	1521	2057	1236	1236	1452	1452	1509	1509	1616	1665	1665	1747	1747	1908	2201	2568
<b>VMCOM54</b>	941	1126	1248	1538	1538	2105	1255	1255	1467	1467	1523	1523	1655	1704	1704	1788	1788	1952	2210	2576
<b>VMCOM57</b>	951	1140	1265	1574	1574	2118	1284	1284	1501	1501	1559	1559	1667	1715	1715	1798	1798	1966	2298	2681
<b>VMCOM60</b>	950	1160	1342	1727	1727	2312	1408	1408	1647	1647	1711	1711	1816	1871	1871	1962	1962	2144	2417	2819
<b>VANITY GRAND COMBINATION</b>																				
<b>VGCOM33</b>	656	826	985	1264	1264	1728	990	990	1206	1206	1252	1252	1352	1401	1401	1469	1469	1604	1874	2184
<b>VGCOM36</b>	680	858	1026	1319	1319	1816	1036	1036	1258	1258	1308	1308	1421	1472	1472	1543	1543	1686	1971	2298
<b>VGCOM39</b>	748	929	1104	1416	1416	1940	1118	1118	1352	1352	1404	1404	1530	1572	1572	1649	1649	1801	2106	2456
<b>VGCOM42</b>	772	962	1143	1438	1438	2015	1167	1167	1372	1372	1443	1443	1599	1632	1632	1711	1711	1869	2186	2549
<b>VGCOM45</b>	799	994	1184	1530	1530	2113	1211	1211	1459	1459	1508	1508	1662	1711	1711	1794	1794	1961	2210	2578
<b>VGCOM48</b>	823	1026	1223	1581	1581	2122	1260	1260	1508	1508	1565	1565	1667	1718	1718	1801	1801	1969	2244	2617
<b>VGCOM51</b>	951	1123	1264	1586	1586	2145	1289	1289	1513	1513	1572	1572	1686	1737	1737	1822	1822	1989	2293	2675
<b>VGCOM54</b>	948	1143	1287	1604	1604	2195	1308	1308	1530	1530	1589	1589	1723	1776	1776	1862	1862	2035	2303	2686
<b>VGCOM57</b>	958	1155	1304	1640	1640	2208	1336	1336	1564	1564	1625	1625	1737	1788	1788	1874	1874	2049	2396	2795
<b>VGCOM60</b>	950	1179	1401	1833	1833	2454	1494	1494	1749	1749	1816	1816	1928	1986	1986	2083	2083	2276	2568	2995

# Vanity Cabinets

## VANITY COMBINATION DRAWERS - 2 DOOR

### MODIFICATION LIMITS

Width\*\* 48" – 60"

Height 24" – 34-1/2"

Depth 12" – 30"

\*\*Width reduction taken only from sink/door area, two drawer areas do not change

### CABINET CONFIGURATIONS

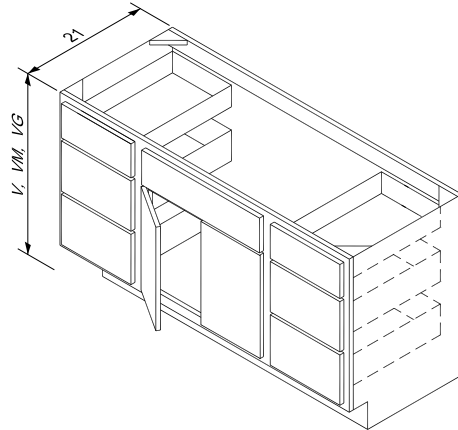
Cabinet Width	Sink/Door area width	Drawer area widths
Two Door cabinets		
48	24"	12"
51	27"	12"
54	24"	15"
57	27"	15"
60	30"	15"

**Note:** these are not door or drawer front dimensions (refer to pg V-1)

- No adjustable shelves
- Full 1/2" thick back
- Apply **RDV18** modification for 18" depth

for other allowable depths use **RD** or **ID** modifications

- Apply **ITO** modification for tip-out tray



Vanity VCD2DR6DWR	Vanity Mid VMCD2DR6DWR	Vanity Grand VGCD2DR6DWR
VCD48	VMCD48	VGCD48
VCD51	VMCD51	VGCD51
VCD54	VMCD54	VGCD54
VCD57	VMCD57	VGCD57
VCD60	VMCD60	VGCD60

## VANITY DOUBLE SINK DRAWERS - 4 DOOR

### MODIFICATION LIMITS

Width\*\* 60" – 72"

Height 24" – 34-1/2"

Depth 12" – 30"

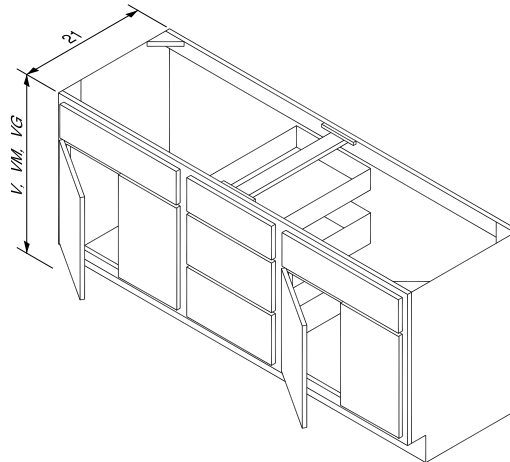
\*\*Width reduction taken equally from sink/door areas, drawer area does not change

### CABINET CONFIGURATIONS

Cabinet Width	Sink/Door areas width	Drawer area width
Four Door cabinets		
60	24"	12"
63	24"	15"
66	24"	18"
69	25-1/2"	18"
72	27"	18"

**Note:** these are not door or drawer front dimensions (refer to pg V-1)

- See notes above



Vanity V2S4DR3DWR	Vanity Mid VM2S4DR3DWR	Vanity Grand VG2S4DR3DWR
V2SD60	VM2SD60	VG2SD60
V2SD63	VM2SD63	VG2SD63
V2SD66	VM2SD66	VG2SD66
V2SD69	VM2SD69	VG2SD69
V2SD72	VM2SD72	VG2SD72

# Vanity Cabinets

	C0	C1	C2	C4	C4A	C5	C7	C7A	C9	C9A	C10	C10A	C11	C12	C12A	C13	C13A	C14	C15	C16
<b>VANITY COMBINATION DRAWERS</b>																				
VCD48	1109	1296	1347	1587	1587	1961	1447	1447	1515	1515	1574	1574	1570	1589	1589	1665	1665	1820	2112	2463
VCD51	1128	1318	1372	1620	1620	2011	1491	1491	1545	1545	1604	1604	1611	1628	1628	1708	1708	1866	2186	2551
VCD54	1133	1325	1382	1647	1647	2056	1537	1537	1570	1570	1632	1632	1647	1664	1664	1745	1745	1906	2259	2634
VCD57	1170	1369	1430	1710	1710	2123	1570	1570	1630	1630	1693	1693	1698	1720	1720	1803	1803	1971	2342	2732
VCD60	1241	1452	1515	1816	1816	2262	1696	1696	1732	1732	1799	1799	1810	1832	1832	1920	1920	2098	2490	2905
<b>VANITY MID COMBINATION DRAWERS</b>																				
VMCD48	1186	1394	1464	1740	1740	2171	1570	1570	1660	1660	1725	1725	1733	1759	1759	1844	1844	2015	2339	2729
VMCD51	1206	1420	1494	1779	1779	2232	1610	1610	1696	1696	1762	1762	1782	1806	1806	1894	1894	2071	2427	2832
VMCD54	1221	1435	1515	1818	1818	2293	1669	1669	1733	1733	1801	1801	1833	1855	1855	1945	1945	2127	2517	2937
VMCD57	1260	1482	1567	1862	1862	2371	1708	1708	1776	1776	1845	1845	1891	1918	1918	2011	2011	2198	2610	3046
VMCD60	1335	1569	1657	2001	2001	2522	1840	1840	1908	1908	1983	1983	2011	2040	2040	2139	2139	2339	2771	3234
<b>VANITY GRAND COMBINATION DWRS</b>																				
VGCD48	1211	1426	1503	1791	1791	2242	1611	1611	1708	1708	1774	1774	1788	1815	1815	1903	1903	2079	2415	2817
VGCD51	1233	1453	1535	1832	1832	2307	1649	1649	1747	1747	1815	1815	1840	1866	1866	1957	1957	2139	2507	2926
VGCD54	1250	1472	1559	1876	1876	2371	1715	1715	1788	1788	1857	1857	1894	1918	1918	2013	2013	2200	2603	3038
VGCD57	1291	1521	1613	1911	1911	2452	1754	1754	1823	1823	1894	1894	1957	1984	1984	2081	2081	2274	2700	3151
VGCD60	1367	1610	1704	2064	2064	2608	1888	1888	1967	1967	2044	2044	2079	2110	2110	2212	2212	2418	2866	3345
<b>VANITY DOUBLE SINK DRAWERS</b>																				
V2SD60	1140	1197	1260	1467	1467	1945	1399	1399	1399	1399	1516	1516	1530	1576	1576	1652	1652	1806	2259	2636
V2SD63	1180	1240	1308	1542	1542	2020	1470	1470	1470	1470	1570	1570	1589	1637	1637	1716	1716	1874	2386	2783
V2SD66	1192	1253	1321	1555	1555	2035	1484	1484	1484	1484	1582	1582	1601	1649	1649	1728	1728	1889	2400	2798
V2SD69	1225	1287	1362	1626	1626	2098	1552	1552	1552	1552	1650	1650	1650	1699	1699	1782	1782	1947	2481	2895
V2SD72	1243	1306	1381	1647	1647	2137	1572	1572	1572	1572	1671	1671	1679	1730	1730	1815	1815	1983	2512	2931
<b>VANITY MID DOUBLE SINK DRAWERS</b>																				
VM2SD60	1228	1291	1367	1606	1606	2127	1508	1508	1531	1531	1640	1640	1671	1721	1721	1805	1805	1972	2454	2863
VM2SD63	1269	1333	1414	1681	1681	2200	1579	1579	1603	1603	1694	1694	1728	1781	1781	1867	1867	2040	2581	3012
VM2SD66	1280	1347	1428	1694	1694	2217	1593	1593	1616	1616	1706	1706	1742	1794	1794	1881	1881	2056	2593	3026
VM2SD69	1313	1381	1469	1766	1766	2279	1660	1660	1684	1684	1774	1774	1789	1844	1844	1933	1933	2113	2676	3122
VM2SD72	1331	1399	1487	1786	1786	2317	1679	1679	1704	1704	1794	1794	1822	1876	1876	1966	1966	2149	2707	3158
<b>VANITY GRAND DOUBLE SINK DWRS</b>																				
VG2SD60	1258	1321	1403	1652	1652	2186	1543	1543	1576	1576	1681	1681	1718	1769	1769	1855	1855	2028	2519	2939
VG2SD63	1299	1364	1450	1728	1728	2261	1615	1615	1647	1647	1735	1735	1777	1830	1830	1918	1918	2096	2646	3087
VG2SD66	1311	1377	1464	1740	1740	2276	1628	1628	1660	1660	1747	1747	1788	1842	1842	1932	1932	2112	2659	3102
VG2SD69	1343	1411	1504	1813	1813	2339	1696	1696	1728	1728	1815	1815	1837	1893	1893	1984	1984	2169	2741	3199
VG2SD72	1362	1430	1523	1833	1833	2376	1716	1716	1749	1749	1835	1835	1867	1923	1923	2017	2017	2205	2771	3234

## VANITY SINK 3-DRAWER

- No adjustable shelves
- Full-height 1/2" thick back panels extend inward from each side of cabinet supporting drawer hardware (Apply **FSB** modification for full-back option)
- Right or Left determined by side with doors
- Apply **RDV18** modification for 18" depth for other allowable depths use **RD** or **ID** modifications
- Apply **ITO** modification for tip-out tray

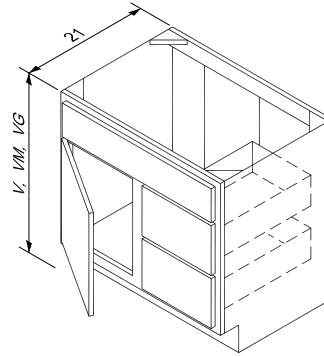
### MODIFICATION LIMITS

Width\*\* 24" – 36"

Height 24" – 34-1/2"

Depth 12" – 30"

\*\* Width reduction taken equally from door and drawer areas



Left Shown

CABINET CONFIGURATIONS		
Cabinet Width	Sink/Door area width	Drawer area width
<b>Single Door cabinets</b>		
24	12"	12"
27	13-1/2"	13-1/2"
30	15"	15"
33	16-1/2"	16-1/2"
36	18"	18"
<b>Note:</b> these are <u>not</u> door or drawer front dimensions (refer to pg V-1)		

Vanity VSD1DR2DWR	Vanity Mid VMSD1DR2DWR	Vanity Grand VGS1DR2DWR
VS3D24*	VMS3D24*	VGS3D24*
VS3D27*	VMS3D27*	VGS3D27*
VS3D30*	VMS3D30*	VGS3D30*
VS3D33*	VMS3D33*	VGS3D33*
VS3D36*	VMS3D36*	VGS3D36*

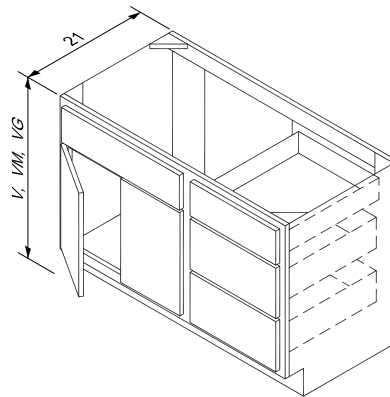
### MODIFICATION LIMITS

Width\*\* 36"DD – 48"

Height 24" – 34-1/2"

Depth 12" – 30"

\*\* Width reduction taken from door area only, drawer area will not change



Left Shown

CABINET CONFIGURATIONS		
Cabinet Width	Sink/Door area width	Drawer area width
<b>Double Door cabinets</b>		
36DD	24"	12"
39	24"	15"
42	24"	18"
45	27"	18"
48	30"	18"
<b>Note:</b> these are <u>not</u> door or drawer front dimensions (refer to pg V-1)		

Vanity VSD2DR3DWR	Vanity Mid VMSD2DR3DWR	Vanity Grand VGS2DR3DWR
VS3D36DD*	VMS3D36DD*	VGS3D36DD*
VS3D39*	VMS3D39*	VGS3D39*
VS3D42*	VMS3D42*	VGS3D42*
VS3D45*	VMS3D45*	VGS3D45*
VS3D48*	VMS3D48*	VGS3D48*

# Vanity Cabinets

\* L or R required

	C0	C1	C2	C4	C4A	C5	C7	C7A	C9	C9A	C10	C10A	C11	C12	C12A	C13	C13A	C14	C15	C16
<b>VANITY SINK 3-DRAWER</b>																				
VS3D24*	570	665	760	974	974	1241	765	765	929	929	965	965	989	1009	1009	1057	1057	1153	1347	1567
VS3D27*	585	687	789	1021	1021	1306	804	804	975	975	1013	1013	1041	1062	1062	1111	1111	1213	1416	1649
VS3D30*	600	709	816	1068	1068	1370	843	843	1019	1019	1058	1058	1092	1113	1113	1165	1165	1272	1486	1730
VS3D33*	626	738	850	1123	1123	1443	889	889	1072	1072	1113	1113	1152	1172	1172	1228	1228	1340	1565	1823
VS3D36*	648	767	885	1177	1177	1467	934	934	1123	1123	1165	1165	1157	1191	1191	1248	1248	1362	1591	1854
VS3D36DD*	660	782	902	1204	1204	1516	958	958	1148	1148	1192	1192	1196	1231	1231	1289	1289	1408	1645	1916
VS3D39*	672	795	919	1231	1231	1565	980	980	1175	1175	1221	1221	1233	1270	1270	1331	1331	1453	1699	1979
VS3D42*	694	824	953	1286	1286	1665	1026	1026	1226	1226	1274	1274	1328	1350	1350	1414	1414	1545	1806	2105
VS3D45*	733	870	1007	1358	1358	1762	1085	1085	1297	1297	1347	1347	1404	1428	1428	1498	1498	1635	1911	2229
VS3D48*	773	919	1065	1438	1438	1864	1146	1146	1372	1372	1425	1425	1486	1511	1511	1584	1584	1730	2023	2359
<b>VANITY MID SINK 3-DRAWER</b>																				
VMS3D24*	650	758	867	1113	1113	1421	873	873	1062	1062	1102	1102	1130	1155	1155	1209	1209	1319	1542	1794
VMS3D27*	667	784	899	1167	1167	1496	918	918	1114	1114	1157	1157	1189	1214	1214	1272	1272	1387	1621	1889
VMS3D30*	683	809	931	1221	1221	1569	963	963	1165	1165	1209	1209	1248	1274	1274	1335	1335	1457	1703	1983
VMS3D33*	711	845	970	1284	1284	1654	1014	1014	1226	1226	1274	1274	1318	1342	1342	1406	1406	1535	1794	2091
VMS3D36*	739	875	1011	1347	1347	1681	1065	1065	1284	1284	1333	1333	1379	1362	1362	1428	1428	1559	1823	2123
VMS3D36DD*	753	892	1031	1377	1377	1737	1092	1092	1314	1314	1365	1365	1425	1408	1408	1476	1476	1613	1884	2196
VMS3D39*	765	907	1050	1408	1408	1794	1119	1119	1343	1343	1396	1396	1472	1453	1453	1525	1525	1665	1947	2269
VMS3D42*	790	941	1089	1470	1470	1908	1174	1174	1403	1403	1457	1457	1520	1547	1547	1621	1621	1771	2071	2415
VMS3D45*	834	996	1152	1555	1555	2020	1241	1241	1484	1484	1542	1542	1608	1635	1635	1715	1715	1874	2193	2556
VMS3D48*	882	1052	1218	1647	1647	2139	1313	1313	1570	1570	1632	1632	1701	1732	1732	1815	1815	1983	2320	2707
<b>VANITY GRAND SINK 3-DRAWER</b>																				
VGS3D24*	675	789	902	1158	1158	1482	909	909	1106	1106	1148	1148	1177	1202	1202	1260	1260	1375	1606	1871
VGS3D27*	694	816	936	1216	1216	1559	957	957	1160	1160	1204	1204	1240	1265	1265	1325	1325	1447	1691	1969
VGS3D30*	711	841	970	1272	1272	1635	1002	1002	1214	1214	1260	1260	1301	1326	1326	1391	1391	1518	1774	2067
VGS3D33*	739	880	1011	1338	1338	1723	1057	1057	1277	1277	1326	1326	1357	1398	1398	1465	1465	1599	1871	2181
VGS3D36*	770	911	1053	1403	1403	1752	1109	1109	1338	1338	1389	1389	1323	1420	1420	1487	1487	1625	1900	2213
VGS3D36DD*	784	928	1074	1435	1435	1811	1138	1138	1369	1369	1421	1421	1367	1467	1467	1538	1538	1681	1964	2290
VGS3D39*	797	946	1094	1467	1467	1871	1167	1167	1401	1401	1455	1455	1411	1516	1516	1589	1589	1735	2030	2366
VGS3D42*	823	980	1135	1533	1533	1989	1223	1223	1462	1462	1518	1518	1584	1611	1611	1689	1689	1845	2159	2517
VGS3D45*	868	1036	1199	1621	1621	2106	1294	1294	1547	1547	1606	1606	1676	1704	1704	1788	1788	1954	2286	2666
VGS3D48*	918	1096	1269	1716	1716	2229	1369	1369	1637	1637	1699	1699	1774	1805	1805	1893	1893	2067	2420	2822



## VANITY SINK 4-DRAWER

- No adjustable shelves
- Full-height 1/2" thick back panels extend inward from each side of cabinet to support drawer hardware. Apply **FSB** modification for full-back option.
- Right or Left determined by side with doors
- Apply **RDV18** modification for 18" depth for other allowable depths use **RD** or **ID** modifications
- Apply **ITO** modification for tip-out tray

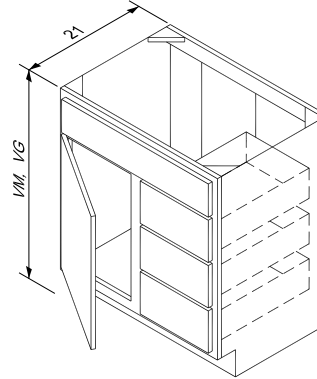
### MODIFICATION LIMITS

Width\*\* 24" – 36"

Height 30" – 45-3/4"

Depth 12" – 30"

\*\* Width reduction taken equally from door and drawer areas



CABINET CONFIGURATIONS		
Cabinet Width	Sink/Door area width	Drawer area width
<b>Single Door cabinets</b>		
24	12"	12"
27	13-1/2"	13-1/2"
30	15"	15"
33	16-1/2"	16-1/2"
36	18"	18"
<b>Note:</b> these are <u>not</u> door or drawer front dimensions (refer to pg V-1)		

Vanity Mid VMSD1DR3DWR	Vanity Grand VGS1DR3DWR
VMS4D24*	VGS4D24*
VMS4D27*	VGS4D27*
VMS4D30*	VGS4D30*
VMS4D33*	VGS4D33*
VMS4D36*	VGS4D36*

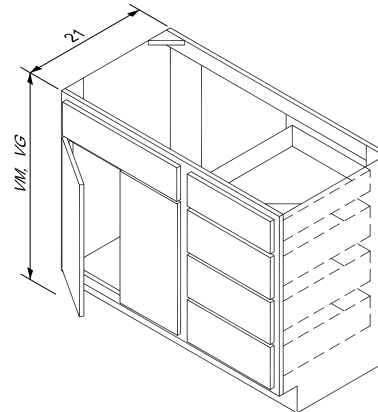
### MODIFICATION LIMITS

Width\*\* 36" DD – 48"

Height 30" – 45-3/4"

Depth 12" – 30"

\*\* Width reduction taken from door area only, drawer area will not change



CABINET CONFIGURATIONS		
Cabinet Width	Sink/Door area width	Drawer area width
<b>Double Door cabinets</b>		
36DD	24"	12"
39	24"	15"
42	24"	18"
45	27"	18"
48	30"	18"
<b>Note:</b> these are <u>not</u> door or drawer front dimensions (refer to pg V-1)		

Vanity Mid VMSD2DR4DWR	Vanity Grand VGS2DR4DWR
VMS4D36DD*	VGS4D36DD*
VMS4D39*	VGS4D39*
VMS4D42*	VGS4D42*
VMS4D45*	VGS4D45*
VMS4D48*	VGS4D48*



# Vanity Cabinets

\* L or R required

	C0	C1	C2	C4	C4A	C5	C7	C7A	C9	C9A	C10	C10A	C11	C12	C12A	C13	C13A	C14	C15	C16
<b>VANITY MID SINK 4-DRAWER</b>																				
VMS4D24*	846	955	1063	1309	1309	1618	1070	1070	1258	1258	1299	1299	1326	1352	1352	1406	1406	1516	1738	1991
VMS4D27*	863	980	1096	1364	1364	1693	1114	1114	1311	1311	1353	1353	1386	1411	1411	1469	1469	1584	1818	2086
VMS4D30*	880	1006	1128	1418	1418	1766	1160	1160	1362	1362	1406	1406	1445	1470	1470	1531	1531	1654	1900	2179
VMS4D33*	907	1041	1167	1481	1481	1850	1211	1211	1423	1423	1470	1470	1494	1538	1538	1603	1603	1732	1991	2288
VMS4D36*	936	1072	1208	1543	1543	1877	1262	1262	1481	1481	1530	1530	1513	1559	1559	1625	1625	1755	2020	2320
VMS4D36DD*	950	1089	1228	1574	1574	1933	1289	1289	1511	1511	1562	1562	1557	1604	1604	1672	1672	1810	2081	2393
VMS4D39*	962	1104	1247	1604	1604	1991	1316	1316	1540	1540	1593	1593	1603	1650	1650	1721	1721	1862	2144	2466
VMS4D42*	987	1138	1286	1667	1667	2105	1370	1370	1599	1599	1654	1654	1716	1743	1743	1818	1818	1967	2268	2612
VMS4D45*	1031	1192	1348	1752	1752	2217	1438	1438	1681	1681	1738	1738	1805	1832	1832	1911	1911	2071	2390	2753
VMS4D48*	1079	1248	1414	1844	1844	2335	1509	1509	1767	1767	1828	1828	1898	1928	1928	2011	2011	2179	2517	2904
<b>VANITY GRAND SINK 4-DRAWER</b>																				
VGS4D24*	872	985	1099	1355	1355	1679	1106	1106	1303	1303	1345	1345	1374	1399	1399	1457	1457	1572	1803	2067
VGS4D27*	890	1013	1133	1413	1413	1755	1153	1153	1357	1357	1401	1401	1437	1462	1462	1521	1521	1643	1888	2166
VGS4D30*	907	1038	1167	1469	1469	1832	1199	1199	1411	1411	1457	1457	1498	1523	1523	1587	1587	1715	1971	2264
VGS4D33*	936	1077	1208	1535	1535	1920	1253	1253	1474	1474	1523	1523	1548	1594	1594	1662	1662	1796	2067	2378
VGS4D36*	967	1107	1250	1599	1599	1949	1306	1306	1535	1535	1586	1586	1569	1616	1616	1684	1684	1822	2096	2410
VGS4D36DD*	980	1124	1270	1632	1632	2008	1335	1335	1565	1565	1618	1618	1615	1664	1664	1735	1735	1877	2161	2486
VGS4D39*	994	1143	1291	1664	1664	2067	1364	1364	1598	1598	1652	1652	1664	1713	1713	1786	1786	1932	2227	2563
VGS4D42*	1019	1177	1331	1730	1730	2186	1420	1420	1659	1659	1715	1715	1781	1808	1808	1886	1886	2042	2356	2714
VGS4D45*	1065	1233	1396	1818	1818	2303	1491	1491	1743	1743	1803	1803	1872	1901	1901	1984	1984	2151	2483	2863
VGS4D48*	1114	1292	1465	1913	1913	2425	1565	1565	1833	1833	1896	1896	1971	2001	2001	2089	2089	2264	2617	3019

# Vanity Cabinets

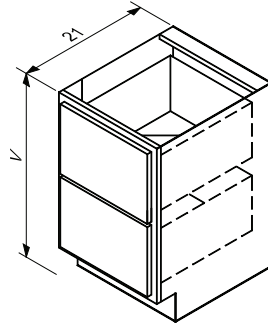
## VANITY 2-DRAWER

### MODIFICATION LIMITS

Width 9" – 36"  
 Height 18" – 29-1/4"  
 Depth 12" – 30"

- Apply **RDV18** modification for 18" depth for other allowable depths use **RD** or **ID** modifications
- Drawer opening heights are 10-1/8"
- Drawer clearance height is approximately 8-13/16"
- Not sufficient for files – refer to Home Office section for file drawer options

- Cabinet height reductions (**RH**) are made to both drawer fronts equally
- Apply **2DF1** modification for two horizontal top drawers on cabinets 24" or wider



Vanity V2D
V2D18
V2D21
V2D24
V2D27
V2D30
V2D33
V2D36

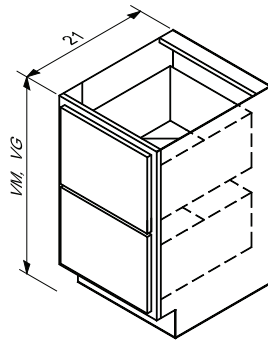
## VANITY MID & GRAND 2-DRAWER

### MODIFICATION LIMITS

Width 9" – 36"  
 Height 29-1/2" – 34-1/2"  
 Depth 12" – 30"

- Apply **RDV18** modification for 18" depth for other allowable depths use **RD** or **ID** modifications
- Drawer opening heights: 11-1/4" for Mid, 12-3/4" for Grand
- Drawer clearance height is approximately 8-13/16"

- Cabinet height reductions (**RH**) are made to both drawer fronts equally
- Apply **2DF1** modification for two horizontal top drawers on cabinets 24" or wider



Vanity Mid VM2D	Vanity Grand VG2D
VM2D18	VG2D18
VM2D21	VG2D21
VM2D24	VG2D24
VM2D27	VG2D27
VM2D30	VG2D30
VM2D33	VG2D33
VM2D36	VG2D36

**Note:** If using for file drawers;

- Use **UMFEG-IM** guides and **HWDWR** drawer construction (up-charges apply)
- Height should not be modified below 34-1/2" H (Grand)
- Files frames vary but most are approximately 10 1/2" H (w/tabs)
- Clearance height of drawer: (from bottom of drawer to top of opening)  
 Vanity: 8-13/16" | Vanity-Mid: 9-15/16" | Vanity-Grand: 11-7/16"

# Vanity Cabinets

	C0	C1	C2	C4	C4A	C5	C7	C7A	C9	C9A	C10	C10A	C11	C12	C12A	C13	C13A	C14	C15	C16
<b>VANITY 2-DRAWER</b>																				
V2D18	616	675	738	945	945	1082	821	821	911	911	821	821	911	911	911	945	945	1018	1177	1342
V2D21	644	709	780	1016	1016	1167	880	880	977	977	880	880	977	977	977	1016	1016	1094	1267	1450
V2D24	675	746	821	1085	1085	1248	945	945	1043	1043	945	945	1043	1043	1043	1085	1085	1169	1357	1554
V2D27	706	780	863	1157	1157	1331	1006	1006	1111	1111	1006	1006	1111	1111	1111	1157	1157	1247	1448	1660
V2D30	734	816	904	1226	1226	1413	1068	1068	1177	1177	1068	1068	1177	1177	1177	1226	1226	1323	1538	1766
V2D33	765	853	945	1296	1296	1498	1130	1130	1243	1243	1130	1130	1243	1243	1243	1296	1296	1399	1630	1872
V2D36	795	887	987	1365	1365	1579	1192	1192	1309	1309	1192	1192	1309	1309	1309	1365	1365	1476	1720	1978
<b>VANITY MID 2-DRAWER</b>																				
VM2D18	678	745	814	1041	1041	1192	904	904	1002	1002	904	904	1002	1002	1002	1041	1041	1121	1296	1479
VM2D21	709	782	858	1119	1119	1286	970	970	1075	1075	970	970	1075	1075	1075	1119	1119	1206	1396	1598
VM2D24	745	821	904	1196	1196	1375	1040	1040	1148	1148	1040	1040	1148	1148	1148	1196	1196	1289	1494	1711
VM2D27	777	860	950	1274	1274	1467	1109	1109	1223	1223	1109	1109	1223	1223	1223	1274	1274	1374	1596	1830
VM2D30	809	899	996	1350	1350	1557	1177	1177	1296	1296	1177	1177	1296	1296	1296	1350	1350	1457	1694	1947
VM2D33	843	940	1040	1428	1428	1650	1245	1245	1370	1370	1245	1245	1370	1370	1370	1428	1428	1543	1796	2064
VM2D36	875	979	1087	1504	1504	1740	1313	1313	1443	1443	1313	1313	1443	1443	1443	1504	1504	1626	1894	2179
<b>VANITY GRAND 2-DRAWER</b>																				
VG2D18	741	812	889	1138	1138	1303	987	987	1096	1096	987	987	1096	1096	1096	1138	1138	1225	1416	1616
VG2D21	775	853	938	1223	1223	1404	1060	1060	1175	1175	1060	1060	1175	1175	1175	1223	1223	1318	1525	1745
VG2D24	812	897	987	1306	1306	1503	1136	1136	1255	1255	1136	1136	1255	1255	1255	1306	1306	1408	1633	1871
VG2D27	848	940	1038	1392	1392	1603	1211	1211	1336	1336	1211	1211	1336	1336	1336	1392	1392	1501	1743	2000
VG2D30	884	982	1087	1476	1476	1701	1286	1286	1416	1416	1286	1286	1416	1416	1416	1476	1476	1593	1852	2127
VG2D33	921	1026	1136	1560	1560	1803	1360	1360	1498	1498	1360	1360	1498	1498	1498	1560	1560	1686	1962	2256
VG2D36	957	1068	1187	1643	1643	1901	1435	1435	1577	1577	1435	1435	1577	1577	1577	1643	1643	1777	2071	2381

# Vanity Cabinets

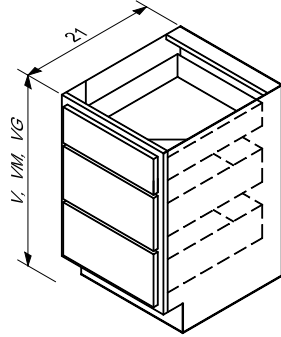
## VANITY 3-DRAWER

### MODIFICATION LIMITS

Width 9" – 36"  
 Height 24" – 40-1/2"  
 Depth 12" – 30"

- Full 1/2" thick back
- Apply **RDV18** modification for 18" depth for other allowable depths use **RD** or **ID** modifications

- Apply **2DF1** modification for two horizontal top drawers on cabinets 24" or wider



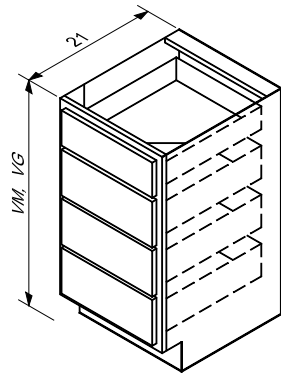
Vanity V3D	Vanity Mid VM3D	Vanity Grand VG3D
V3D12	VM3D12	VG3D12
V3D15	VM3D15	VG3D15
V3D18	VM3D18	VG3D18
V3D21	VM3D21	VG3D21
V3D24	VM3D24	VG3D24
V3D27	VM3D27	VG3D27
V3D30	VM3D30	VG3D30
V3D33	VM3D33	VG3D33
V3D36	VM3D36	VG3D36

## VANITY 4-DRAWER

- See notes above

### MODIFICATION LIMITS

Width 9" – 36"  
 Height 30" – 46-1/2"  
 Depth 12" – 30"



Vanity Mid VM4D	Vanity Grand VG4D
VM4D12	VG4D12
VM4D15	VG4D15
VM4D18	VG4D18
VM4D21	VG4D21
VM4D24	VG4D24
VM4D27	VG4D27
VM4D30	VG4D30
VM4D33	VG4D33
VM4D36	VG4D36

# Vanity Cabinets

	C0	C1	C2	C4	C4A	C5	C7	C7A	C9	C9A	C10	C10A	C11	C12	C12A	C13	C13A	C14	C15	C16
<b>VANITY 3-DRAWER</b>																				
V3D12	480	538	597	756	756	885	634	634	722	722	634	634	722	722	722	756	756	824	958	1113
V3D15	514	577	643	833	833	975	702	702	795	795	702	702	795	795	795	833	833	907	1057	1228
V3D18	546	616	689	909	909	1067	770	770	868	868	770	770	868	868	868	909	909	990	1157	1345
V3D21	580	655	734	984	984	1155	836	836	940	940	836	836	940	940	940	984	984	1074	1252	1457
V3D24	614	694	778	1060	1060	1245	904	904	1013	1013	904	904	1013	1013	1013	1060	1060	1157	1350	1570
V3D27	646	734	824	1138	1138	1336	972	972	1085	1085	972	972	1085	1085	1085	1138	1138	1241	1448	1686
V3D30	680	772	870	1213	1213	1425	1038	1038	1157	1157	1038	1038	1157	1157	1157	1213	1213	1323	1545	1799
V3D33	714	812	914	1287	1287	1513	1106	1106	1228	1228	1106	1106	1228	1228	1228	1287	1287	1404	1642	1913
V3D36	746	851	960	1364	1364	1604	1172	1172	1301	1301	1172	1172	1301	1301	1301	1364	1364	1489	1740	2027
<b>VANITY MID 3-DRAWER</b>																				
VM3D12	519	577	639	816	816	955	683	683	778	778	683	683	778	778	778	816	816	889	1035	1202
VM3D15	558	621	690	899	899	1055	760	760	860	860	760	760	860	860	860	899	899	980	1143	1330
VM3D18	594	665	739	984	984	1155	834	834	940	940	834	834	940	940	940	984	984	1074	1252	1457
VM3D21	629	707	790	1068	1068	1255	907	907	1019	1019	907	907	1019	1019	1019	1068	1068	1165	1360	1582
VM3D24	668	751	840	1152	1152	1353	984	984	1099	1099	984	984	1099	1099	1099	1152	1152	1257	1467	1708
VM3D27	704	794	890	1236	1236	1453	1057	1057	1180	1180	1057	1057	1180	1180	1180	1236	1236	1348	1576	1835
VM3D30	739	836	940	1319	1319	1552	1131	1131	1258	1258	1131	1131	1258	1258	1258	1319	1319	1440	1682	1961
VM3D33	778	882	989	1403	1403	1650	1206	1206	1338	1338	1206	1206	1338	1338	1338	1403	1403	1531	1791	2086
VM3D36	814	924	1040	1486	1486	1749	1279	1279	1418	1418	1279	1279	1418	1418	1418	1486	1486	1623	1898	2212
<b>VANITY GRAND 3-DRAWER</b>																				
VG3D12	533	590	653	834	834	979	700	700	797	797	700	700	797	797	797	834	834	909	1060	1231
VG3D15	572	636	706	923	923	1082	778	778	880	880	778	778	880	880	880	923	923	1006	1172	1364
VG3D18	609	680	756	1009	1009	1184	855	855	963	963	855	855	963	963	963	1009	1009	1101	1284	1494
VG3D21	646	724	809	1096	1096	1287	931	931	1046	1046	931	931	1046	1046	1046	1096	1096	1196	1396	1625
VG3D24	685	770	860	1182	1182	1389	1009	1009	1128	1128	1009	1009	1128	1128	1128	1182	1182	1289	1506	1754
VG3D27	722	814	912	1269	1269	1492	1085	1085	1211	1211	1085	1085	1211	1211	1211	1269	1269	1386	1618	1884
VG3D30	760	858	963	1355	1355	1593	1162	1162	1292	1292	1162	1162	1292	1292	1292	1355	1355	1479	1728	2013
VG3D33	799	904	1014	1442	1442	1696	1238	1238	1375	1375	1238	1238	1375	1375	1375	1442	1442	1574	1840	2145
VG3D36	836	948	1067	1528	1528	1798	1314	1314	1457	1457	1314	1314	1457	1457	1457	1528	1528	1669	1950	2274
<b>VANITY MID 4-DRAWER</b>																				
VM4D12	572	644	721	902	902	1058	755	755	862	862	755	755	862	862	862	902	902	984	1146	1333
VM4D15	616	694	777	992	992	1165	836	836	948	948	836	836	948	948	948	992	992	1082	1264	1470
VM4D18	658	741	831	1082	1082	1270	914	914	1033	1033	914	914	1033	1033	1033	1082	1082	1180	1379	1604
VM4D21	699	790	885	1170	1170	1375	994	994	1118	1118	994	994	1118	1118	1118	1170	1170	1277	1492	1737
VM4D24	739	838	940	1260	1260	1482	1072	1072	1202	1202	1072	1072	1202	1202	1202	1260	1260	1375	1608	1872
VM4D27	784	885	994	1350	1350	1587	1152	1152	1287	1287	1152	1152	1287	1287	1287	1350	1350	1474	1721	2006
VM4D30	824	933	1050	1438	1438	1693	1230	1230	1372	1372	1230	1230	1372	1372	1372	1438	1438	1570	1835	2140
VM4D33	865	982	1104	1528	1528	1798	1309	1309	1457	1457	1309	1309	1457	1457	1457	1528	1528	1669	1950	2274
VM4D36	907	1029	1158	1618	1618	1905	1389	1389	1543	1543	1389	1389	1543	1543	1543	1618	1618	1767	2066	2408
<b>VANITY GRAND 4-DRAWER</b>																				
VG4D12	589	663	741	929	929	1091	777	777	887	887	777	777	887	887	887	929	929	1013	1180	1372
VG4D15	633	714	799	1021	1021	1199	860	860	975	975	860	860	975	975	975	1021	1021	1114	1301	1513
VG4D18	677	763	855	1114	1114	1309	941	941	1063	1063	941	941	1063	1063	1063	1114	1114	1216	1420	1652
VG4D21	719	812	911	1204	1204	1416	1023	1023	1150	1150	1023	1023	1150	1150	1150	1204	1204	1314	1537	1789
VG4D24	762	862	967	1297	1297	1526	1104	1104	1238	1238	1104	1104	1238	1238	1238	1297	1297	1416	1655	1928
VG4D27	806	911	1023	1391	1391	1635	1186	1186	1326	1326	1186	1186	1326	1326	1326	1391	1391	1518	1774	2067
VG4D30	848	960	1080	1481	1481	1743	1267	1267	1413	1413	1267	1267	1413	1413	1413	1481	1481	1618	1891	2205
VG4D33	890	1011	1136	1574	1574	1852	1348	1348	1501	1501	1348	1348	1501	1501	1501	1574	1574	1718	2010	2344
VG4D36	934	1060	1192	1665	1665	1962	1430	1430	1589	1589	1430	1430	1589	1589	1589	1665	1665	1820	2128	2481

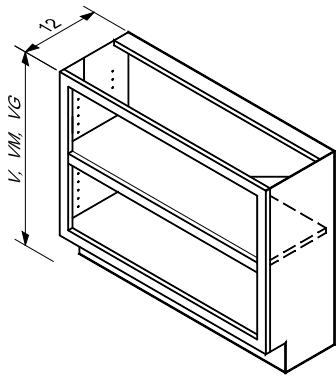
# Vanity Cabinets

## VANITY BOOKCASE

### MODIFICATION LIMITS

Width	12" – 48"
Height	26-1/2" – 60"
Depth	9" – 24"

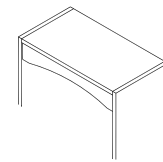
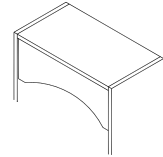
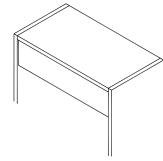
Overall Cabinet Height	Qty of Adj. Shelves
27-1/4" – 29-1/4"	1
29-1/2" – 60"	2



- Finished interior (FMI)
- Exterior is not finished
- Inside of frame opening has eased edge
- Adjustable shelves have 1-1/2" H double eased front edge
- Supplied w/clear locking and nickel shelf clips
- Loose shelves and clips available (see Accessories section)
- When width exceeds 36", plywood (PLY) must be selected as box material (up-charges apply)
- Exceeding 36" in width not recommended if using shelves to store heavy loads
- If width exceeds 42", max. depth becomes 18"
- Qty. of adjustable shelves depends on height

Vanity VBC	Vanity Mid VMBC	Vanity Grand VGBC
VBC12	VMBC12	VGBC12
VBC15	VMBC15	VGBC15
VBC18	VMBC18	VGBC18
VBC21	VMBC21	VGBC21
VBC24	VMBC24	VGBC24
VBC27	VMBC27	VGBC27
VBC30	VMBC30	VGBC30
VBC33	VMBC33	VGBC33
VBC36	VMBC36	VGBC36
VBC39	VMBC39	VGBC39
VBC42	VMBC42	VGBC42

### Optional Top Rail Valances (See Modification section)



# Vanity Cabinets

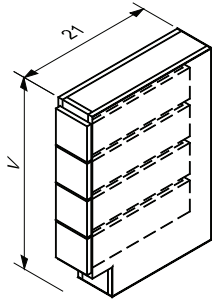
	C0	C1	C2	C4	C4A	C5	C7	C7A	C9	C9A	C10	C10A	C11	C12	C12A	C13	C13A	C14	C15	C16
<b>VANITY BOOKCASE</b>																				
VBC12	441	441	441	461	461	441	441	441	441	441	441	441	441	441	441	461	461	441	441	441
VBC15	550	550	550	575	575	550	550	550	550	550	550	550	550	550	550	575	575	550	550	550
VBC18	582	582	582	609	609	582	582	582	582	582	582	582	582	582	582	609	609	582	582	582
VBC21	612	612	612	641	641	612	612	612	612	612	612	612	612	612	612	641	641	612	612	612
VBC24	646	646	646	677	677	646	646	646	646	646	646	646	646	646	646	677	677	646	646	646
VBC27	678	678	678	711	711	678	678	678	678	678	678	678	678	678	678	711	711	678	678	678
VBC30	711	711	711	745	745	711	711	711	711	711	711	711	711	711	711	745	745	711	711	711
VBC33	743	743	743	777	777	743	743	743	743	743	743	743	743	743	743	777	777	743	743	743
VBC36	775	775	775	811	811	775	775	775	775	775	775	775	775	775	775	811	811	775	775	775
VBC39	840	840	840	879	879	840	840	840	840	840	840	840	840	840	840	879	879	840	840	840
VBC42	904	904	904	945	945	904	904	904	904	904	904	904	904	904	904	945	945	904	904	904
<b>VANITY MID BOOKCASE</b>																				
VMBC12	475	475	475	497	497	475	475	475	475	475	475	475	475	475	475	497	497	475	475	475
VMBC15	592	592	592	619	619	592	592	592	592	592	592	592	592	592	592	619	619	592	592	592
VMBC18	626	626	626	655	655	626	626	626	626	626	626	626	626	626	626	655	655	626	626	626
VMBC21	660	660	660	690	690	660	660	660	660	660	660	660	660	660	660	690	690	660	660	660
VMBC24	695	695	695	728	728	695	695	695	695	695	695	695	695	695	695	728	728	695	695	695
VMBC27	731	731	731	765	765	731	731	731	731	731	731	731	731	731	731	765	765	731	731	731
VMBC30	765	765	765	801	801	765	765	765	765	765	765	765	765	765	765	801	801	765	765	765
VMBC33	801	801	801	838	838	801	801	801	801	801	801	801	801	801	801	838	838	801	801	801
VMBC36	834	834	834	873	873	834	834	834	834	834	834	834	834	834	834	873	873	834	834	834
VMBC39	904	904	904	946	946	904	904	904	904	904	904	904	904	904	904	946	946	904	904	904
VMBC42	972	972	972	1018	1018	972	972	972	972	972	972	972	972	972	972	1018	1018	972	972	972
<b>VANITY GRAND BOOKCASE</b>																				
VGBC12	485	485	485	507	507	485	485	485	485	485	485	485	485	485	485	507	507	485	485	485
VGBC15	605	605	605	633	633	605	605	605	605	605	605	605	605	605	605	633	633	605	605	605
VGBC18	641	641	641	670	670	641	641	641	641	641	641	641	641	641	641	670	670	641	641	641
VGBC21	675	675	675	706	706	675	675	675	675	675	675	675	675	675	675	706	706	675	675	675
VGBC24	712	712	712	746	746	712	712	712	712	712	712	712	712	712	712	746	746	712	712	712
VGBC27	748	748	748	784	784	748	748	748	748	748	748	748	748	748	748	784	784	748	748	748
VGBC30	784	784	784	821	821	784	784	784	784	784	784	784	784	784	784	821	821	784	784	784
VGBC33	819	819	819	858	858	819	819	819	819	819	819	819	819	819	819	858	858	819	819	819
VGBC36	855	855	855	895	895	855	855	855	855	855	855	855	855	855	855	895	895	855	855	855
VGBC39	926	926	926	970	970	926	926	926	926	926	926	926	926	926	926	970	970	926	926	926
VGBC42	996	996	996	1043	1043	996	996	996	996	996	996	996	996	996	996	1043	1043	996	996	996

## VANITY APOTHECARY DRAWER

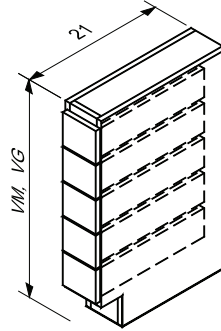
### MODIFICATION LIMITS

Width 6" – 9"  
 Height No Height Mods  
 Depth 12" – 30"

- Finished ends and interior
- Slab fronts only, will have horizontal grain
- Drawer fronts are equal in height
- Drawer boxes are friction fit, hardwood dovetail (HDWDR) and 3" less than cabinet depth
- Drawer boxes in cabinets 6-1/2" W or less use rabbeted joint construction
- Knobs and pulls required
- Sides are 3/4" | 1-1/4" top and bottom rail
- For Modified and Traditional Overlay styles, reveals are 1/4" on sides and between drawers, 1" on top and bottom



VAD  
 VAD06  
 VAD09



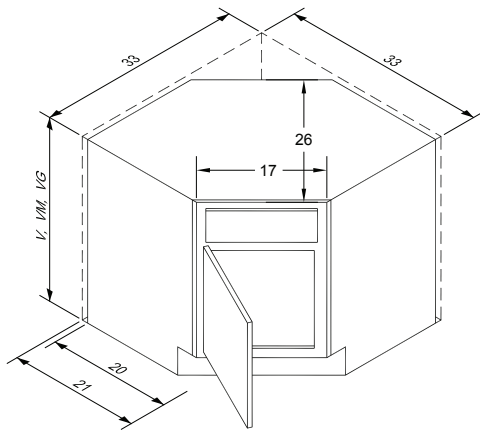
VMAD      VGAD  
 VMAD06    VGAD06  
 VMAD09    VGAD09

## VANITY SINK ANGLE

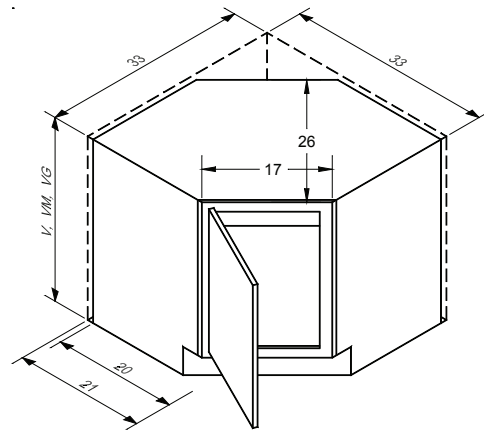
### MODIFICATION LIMITS

Width No Width Mods  
 Height No Height Mods  
 Depth No Depth Mods

- No adjustable shelves
- Full 1/2" thick back
- No extended stile (ESL\_, ESR\_) mods
- Apply ITO modification for tip-out tray



Vanity	Vanity Mid	Vanity Grand
VSA33	VMSA33	VGSA33
VSA33*	VMSA33*	VGSA33*



Vanity	Vanity Mid	Vanity Grand
FVSA33	FVMSA33	FVGSA33
FVSA33*	FVMSA33*	FVGSA33*



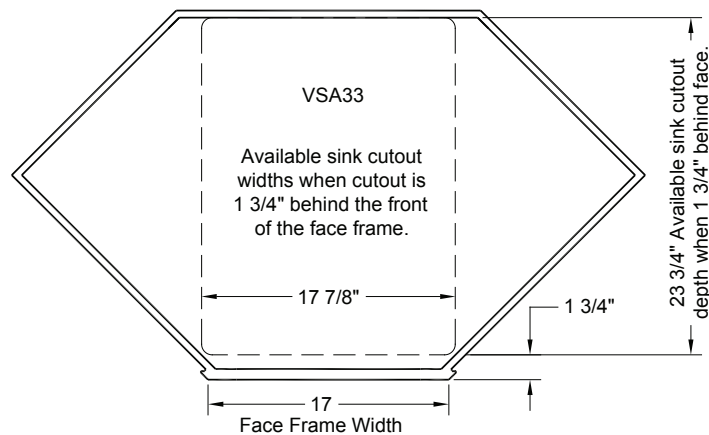
# Vanity Cabinets

\* L or R required

	C0	C1	C2	C4	C4A	C5	C7	C7A	C9	C9A	C10	C10A	C11	C12	C12A	C13	C13A	C14	C15	C16
<b>VANITY APOTHECARY DRAWER</b>																				
VAD06	1191	1245	1245	1245	1245	1245	1245	1245	1245	1245	1245	1245	1245	1245	1245	1245	1245	1245	1245	1245
VAD09	1294	1374	1374	1374	1374	1374	1374	1374	1374	1374	1374	1374	1374	1374	1374	1374	1374	1374	1374	1374
<b>VANITY MID APOTHECARY DRAWER</b>																				
VMAD06	1245	1304	1304	1304	1304	1304	1304	1304	1304	1304	1304	1304	1304	1304	1304	1304	1304	1304	1304	1304
VMAD09	1350	1438	1438	1438	1438	1438	1438	1438	1438	1438	1438	1438	1438	1438	1438	1438	1438	1438	1438	1438
<b>VANITY GRAND APOTHECARY DRAWER</b>																				
VGAD06	1272	1342	1342	1342	1342	1342	1342	1342	1342	1342	1342	1342	1342	1342	1342	1342	1342	1342	1342	1342
VGAD09	1374	1481	1481	1481	1481	1481	1481	1481	1481	1481	1481	1481	1481	1481	1481	1481	1481	1481	1481	1481

	C0	C1	C2	C4	C4A	C5	C7	C7A	C9	C9A	C10	C10A	C11	C12	C12A	C13	C13A	C14	C15	C16
<b>VANITY SINK ANGLE</b>																				
VSA33*	490	517	551	655	655	838	526	526	626	626	650	650	667	685	685	716	716	780	901	1046
VMSA33*	526	555	592	704	704	902	563	563	673	673	699	699	716	736	736	770	770	840	970	1128
VGSA33*	538	566	605	721	721	923	577	577	689	689	714	714	733	753	753	789	789	858	994	1155
<b>FULL VANITY SINK ANGLE</b>																				
FVSA33*	473	500	534	638	638	817	509	509	609	609	631	631	650	668	668	699	699	760	884	1026
FVMSA33*	509	538	575	687	687	880	546	546	656	656	680	680	699	719	719	753	753	819	953	1107
FVGSA33*	521	550	589	702	702	902	560	560	672	672	697	697	716	736	736	770	770	840	977	1135

## Sink Angle Cutout Specifications



# Vanity Cabinets

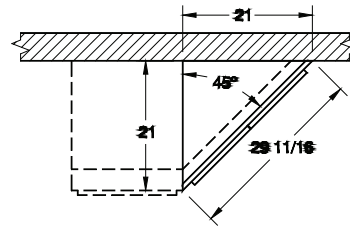
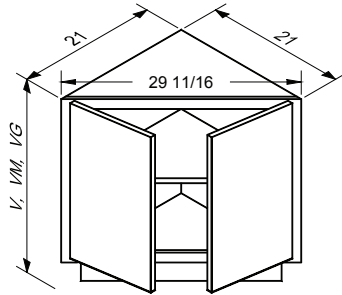
\*\*LL, LR, RL or RR required

## FULL VANITY END ANGLE

- One 3/4" thick full-depth adjustable shelf
- Not designed to accept Finished End Panels

### MODIFICATION LIMITS

Width No Width Mods  
 Height 16-1/2" – 46-1/2"  
 Depth No Depth Mods



Top View

Vanity  
 FVEA21  
 FVEA21

Vanity Mid  
 FVMEA21  
 FVMEA21

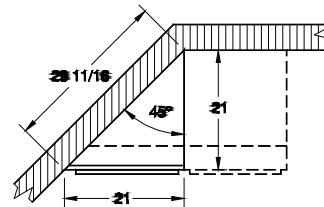
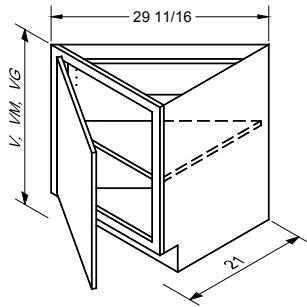
Vanity Grand  
 FVGEA21  
 FVGEA21

## FULL VANITY ANGLE BACK

- One 3/4" thick full-depth adjustable shelf
- Designed to accept Finished End Panel on 21" deep (90°) end
- First callout designates side with angled back, second callout indicates door hinging

### MODIFICATION LIMITS

Width No Width Mods  
 Height 16-1/2" – 46-1/2"  
 Depth No Depth Mods

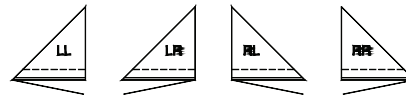


Top View

Vanity  
 FVAB21  
 FVAB21\*\*

Vanity Mid  
 FVMAB21  
 FVMAB21\*\*

Vanity Grand  
 FVGAB21  
 FVGAB21\*\*



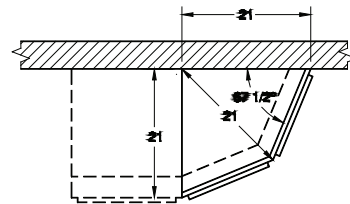
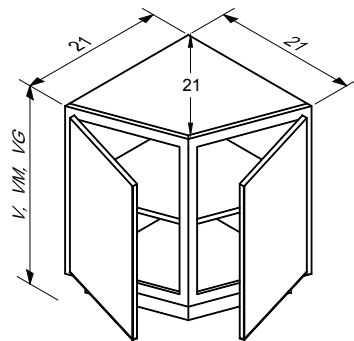
Primary Entry

## FULL VANITY END CABINET

- One 3/4" thick full-depth adjustable shelf
- Not designed to accept Finished End Panels

### MODIFICATION LIMITS

Width No Width Mods  
 Height 16-1/2" – 46-1/2"  
 Depth No Depth Mods



Top View

Vanity  
 FVEC21  
 FVEC21

Vanity Mid  
 FVMEC21  
 FVMEC21

Vanity Grand  
 FVGEC21  
 FVGEC21

# Vanity Cabinets

\*\* LL, LR, RR, or RL required

	C0	C1	C2	C4	C4A	C5	C7	C7A	C9	C9A	C10	C10A	C11	C12	C12A	C13	C13A	C14	C15	C16
<b>FULL VANITY END ANGLE (V, M, G)</b>																				
FVEA21	566	745	907	1169	1169	1277	1041	1041	1114	1114	1218	1218	1197	1221	1221	1282	1282	1403	1586	1854
FVMEA21	611	804	979	1262	1262	1381	1124	1124	1204	1204	1314	1314	1297	1323	1323	1389	1389	1520	1718	2010
FVGEA21	624	823	1002	1292	1292	1414	1152	1152	1233	1233	1347	1347	1331	1357	1357	1425	1425	1559	1762	2061

	C0	C1	C2	C4	C4A	C5	C7	C7A	C9	C9A	C10	C10A	C11	C12	C12A	C13	C13A	C14	C15	C16
<b>FULL VANITY ANGLE BACK (V, M, G)</b>																				
FVAB21**	919	975	1036	1180	1180	1447	1055	1055	1153	1153	1179	1179	1258	1282	1282	1316	1316	1384	1521	1677
FVMAB21**	943	1004	1070	1228	1228	1521	1092	1092	1197	1197	1230	1230	1318	1342	1342	1379	1379	1453	1603	1772
FVGAB21**	951	1013	1082	1243	1243	1547	1104	1104	1213	1213	1247	1247	1338	1362	1362	1399	1399	1476	1630	1805

	C0	C1	C2	C4	C4A	C5	C7	C7A	C9	C9A	C10	C10A	C11	C12	C12A	C13	C13A	C14	C15	C16
<b>FULL VANITY END CABINET (V, M, G)</b>																				
FVEC21	722	955	1165	1503	1503	1647	1340	1340	1435	1435	1567	1567	1555	1586	1586	1665	1665	1823	2059	2408
FVMEC21	797	1055	1289	1665	1665	1823	1482	1482	1587	1587	1737	1737	1727	1760	1760	1849	1849	2023	2286	2673
FVGEC21	778	1029	1257	1625	1625	1779	1447	1447	1550	1550	1694	1694	1684	1718	1718	1803	1803	1974	2232	2610

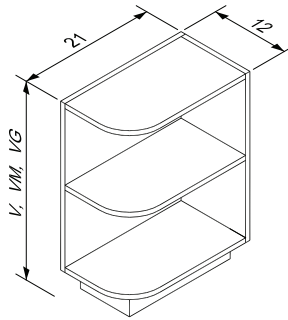
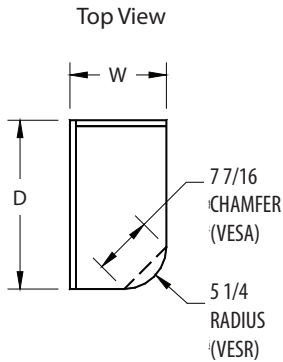
## VANITY END SHELF

### MODIFICATION LIMITS

Width 6" – 12"  
 Height 29-1/4" – 46-1/2"  
 Depth 12" – 30"

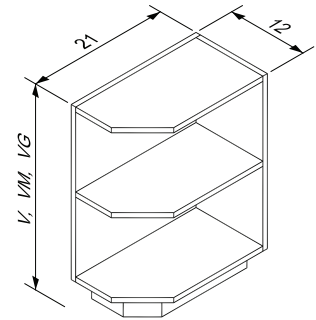
- 3/4" edge-taped material finished to match frame on adjoining cabinets
- Right or Left determined by side of cabinet shelf will be applied to
- When height is increased, number of shelves increases accordingly

- Clearance between shelves ranges from a minimum of 8" to a maximum of 12"
- Apply **RDV18** modification for 18" depth for other allowable depths use **RD** or **ID** modifications



**END SHELF ROUND**  
 VESR, VMESR, VGESR

Right Shown



**END SHELF ANGLE**  
 VESA, VMESA, VGESA

	C0	C1	C2	C4	C4A	C5	C7	C7A	C9	C9A	C10	C10A	C11	C12	C12A	C13	C13A	C14	C15	C16
<b>ROUND (R) or ANGLE (A)</b>																				
<b>VES(_) 12*</b>	495	495	495	517	517	495	495	495	495	495	495	495	495	495	495	517	517	495	495	495
<b>VMES(_) 12*</b>	514	514	514	536	536	514	514	514	514	514	514	514	514	514	514	536	536	514	514	514
<b>VGES(_) 12*</b>	519	519	519	543	543	519	519	519	519	519	519	519	519	519	519	543	543	519	519	519

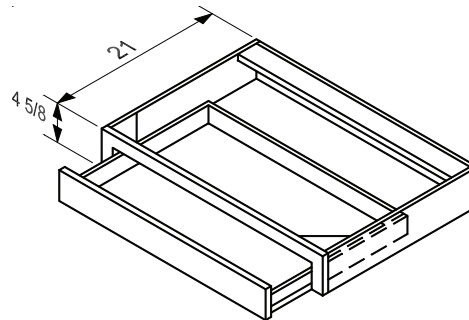
"(\_)" Specify R or A

## DESK DRAWER CABINET

### MODIFICATION LIMITS

Width 12" – 36"  
 Height No Height Mods  
 Depth 12" – 24"

- Top of drawer lines up with adjacent Base or Vanity drawer
- Drawer opening is 3-1/8" H
- Exterior of drawer box is 2-1/8" H
- Ends not finished
- Apply **RDV18** modification for 18" depth, for other allowable depths use **RD** or **ID** modifications



DDC_	C0	C1	C2	C4	C4A	C5	C7	C7A	C9	C9A	C10	C10A	C11	C12	C12A	C13	C13A	C14	C15	C16
<b>DDC18</b>	302	341	378	431	431	500	402	402	412	412	402	402	412	412	412	431	431	466	412	473
<b>DDC21</b>	309	349	387	443	443	514	414	414	424	424	414	414	424	424	424	443	443	480	424	488
<b>DDC24</b>	315	358	397	456	456	531	426	426	438	438	426	426	438	438	438	456	456	495	438	504
<b>DDC27</b>	322	366	405	470	470	546	438	438	449	449	438	438	449	449	449	470	470	509	449	517
<b>DDC30</b>	331	373	414	483	483	563	449	449	463	463	449	449	463	463	463	483	483	526	463	533
<b>DDC33</b>	338	382	422	497	497	578	461	461	475	475	461	461	475	475	475	497	497	539	475	548
<b>DDC36</b>	344	390	397	456	456	592	473	473	487	487	473	473	487	487	487	509	509	553	487	561

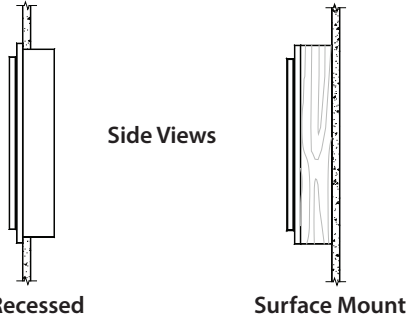
# Vanity Cabinets

\* L or R required

## MEDICINE CABINET & TRIM KIT

### MODIFICATION LIMITS

Width No Width Mods  
 Height 24" - 36"  
 Depth No Depth Mods

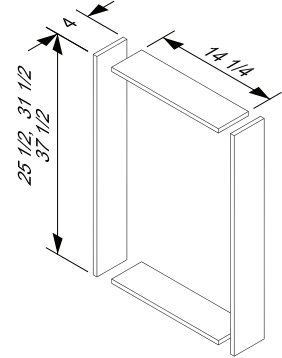
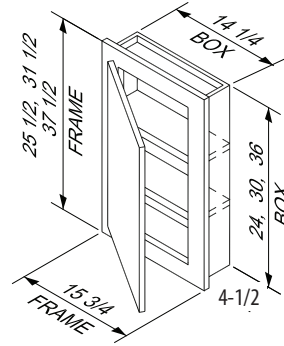


**Recessed:** cabinet box sized to fit between wall studs at 16" centers

**Recessed and Surface mount:** Frame extends 1/2" beyond box, allowing for overlap of opening when recessed or when using flush mount kit

- Install recessed in or surface-mounted to wall
- Frame is eased on front outside edge
- Frame stiles and rails are 2-1/4" wide
- Overall cabinet depth 4-1/2" D

- Two 3/4" thick adjustable shelves included
- Surface mounting: Order optional flush trim kit (MCFTK)



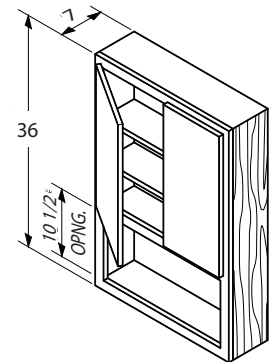
MC1DR	C0	C1	C2	C4	C4A	C5	C7	C7A	C9	C9A	C10	C10A	C11	C12	C12A	C13	C13A	C14	C15	C16
<b>MEDICINE CABINET</b>																				
MC1524*	275	332	385	478	524	582	404	461	458	502	490	534	465	478	577	500	604	543	629	728
MC1530*	344	416	482	599	655	728	505	577	573	628	612	668	582	599	721	626	755	678	787	909
MC1536*	412	499	578	717	787	873	605	692	687	753	736	802	697	717	865	751	906	814	945	1092
<b>FLUSH TRIM KIT</b>																				
MCFTK24	105																			
MCFTK30	132																			
MCFTK36	158																			

## WALL VANITY

### MODIFICATION LIMITS

Width 18DD" - 36" (21" min. for Inset)  
 Height 30" - 48"  
 Depth 6" - 12"

- Finished interior (FMI)
- Comes standard with 1/4" finished ends; can order with 3/8" finished ends
- Top and bottom finished to match door
- Inside of frame opening has eased edge
- Height modifications made to door area



VW2DR	C0	C1	C2	C4	C4A	C5	C7	C7A	C9	C9A	C10	C10A	C11	C12	C12A	C13	C13A	C14	C15	C16
VW2436DD	527	626	722	945	1107	1347	736	882	902	1057	938	1089	1033	1094	1253	1146	1314	1250	1460	1699

# Vanity Cabinets

## TRI-VIEW MIRROR MEDICINE CABINET

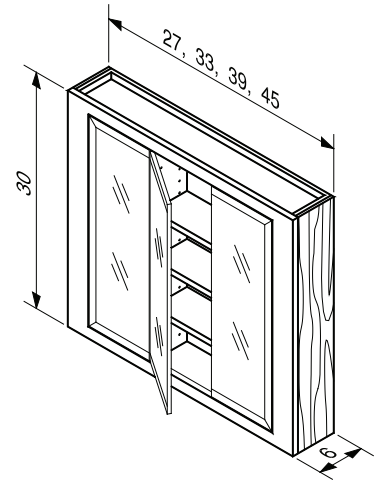
### MODIFICATION LIMITS

Width	No Width Mods
Height	No Height Mods
Depth	No Depth Mods

- Cabinet must be flush-mounted
- Plywood construction standard
- Cabinet Interior: White (WHV) or Woodgrain Laminate (WGL) only
- Ends are finished (using 38FE)
- Mirrors are 3/16" thick with 1" bevel, mounted on a 1/2" thick backer door
- Nine 3/4" thick adjustable shelves

- Doors opened individually by spring-loaded touch latches
- Clear wood used on frame and Finished Ends when Rustic species are ordered
- Thermofoil door style: ends will be White or Crème painted material

Tri-View Mirror	MSRP
TV2730	1252
TV3330	1297
TV3930	1345
TV4530	1394



## FLAT FRAMED MIRROR

### MODIFICATION LIMITS

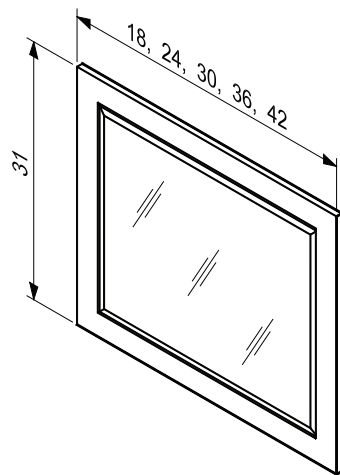
Width	No Width Mods
Height	No Height Mods
Depth	No Depth Mods

- Mirrors are 3/16" thick glass with a 1" bevel around outside edges
- Flat wood frames have heavy-duty 'D' ring hangers attached to back of frame
  - We do not include any other mounting, or wall reinforcement, hardware

- Mirrors fit in a rout in back of frame, and are secured with a full-sized back panel
- Square is provided when Roman door styles are ordered
- Interior and exterior frame edge detail determined by door style



**Side View**  
Mirror frame, mirror and wood backer



Styles Not Available		
Alpine	Dover	Princeton
Copenhagen	Halifax	
Applied Moulding door styles		

Door Style	Exterior Frame Size
2-1/4" Mitered	1-1/4" less than callout W x H
3" Mitered	1/4" greater than callout W x H
3" M & T	1/4" greater than callout W x H
2-7/8" Thermofoil	Matches callout W x H

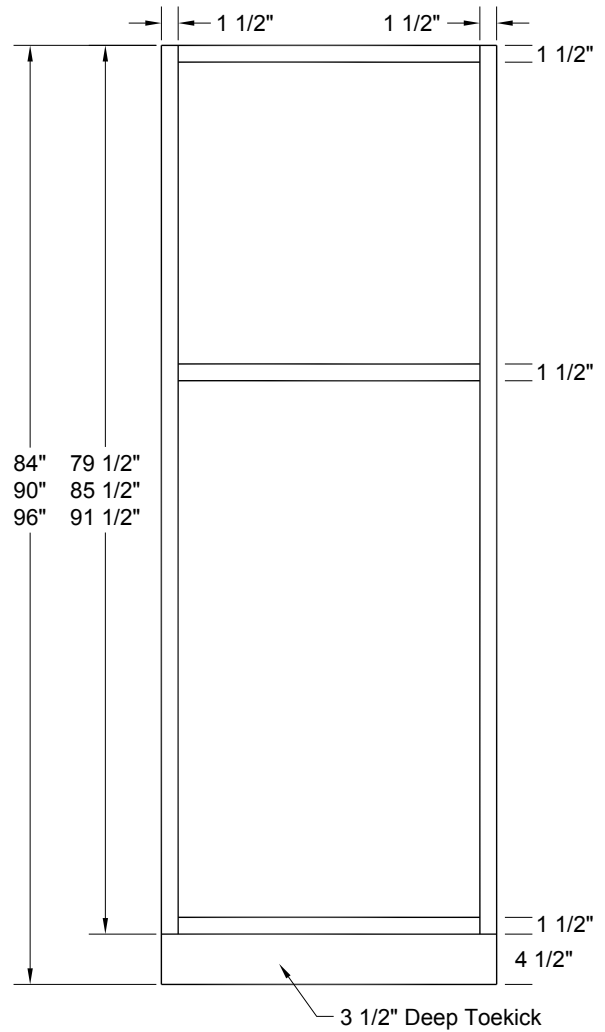
M__31	C0	C1	C2	C4	C4A	C5	C7	C7A	C9	C9A	C10	C10A	C11	C12	C12A	C13	C13A	C14	C15	C16
M1831	–	458	458	644	644	590	458	458	458	458	458	458	458	458	458	590	590	697	697	590
M2431	–	560	560	790	790	707	560	560	560	560	560	560	560	560	560	707	707	840	840	707
M3031	–	661	661	934	934	858	661	661	661	661	661	661	661	661	661	858	858	1016	1016	858
M3631	–	763	763	1089	1089	1001	763	763	763	763	763	763	763	763	763	1001	1001	1184	1184	1001
M4231	–	840	840	1241	1241	1143	840	840	840	840	840	840	840	840	840	1143	1143	1352	1352	1143

# Tall Cabinets

## Typical Tall Cabinet Configuration

**Note:**

- Cabinets over 90" H has toekick shipped loose
- (U\_) Utility and (P\_) Pantry cabinets are drilled for adjustable shelves
- Height of cabinet determines quantity of adjustable shelves or roll-outs installed
- Height reductions (RH) are typically taken from upper section of cabinets unless otherwise specified



### Door & Drawer Front Widths

Cabinet Width	Traditional Overlay	Modified Overlay	Inset
9"	7"	8-1/2"	N/A
12"	10"	11-1/2"	8-13/16"
15"	13"	14-1/2"	11-13/16"
18"	16"	17-1/2"	14-13/16"
21"	19"	20-1/2"	17-13/16"
24"	22"	23-1/2"	20-13/16"
24" DD	(2) 10-15/16"	(2) 11-11/16"	(2) 10-11/32"
27"	(2) 12-7/16"	(2) 13-3/16"	(2) 11-27/32"
30"	(2) 13-15/16"	(2) 14-11/16"	(2) 13-11/32"
33"	(2) 15-7/16"	(2) 16-3/16"	(2) 14-27/32"
36"	(2) 16-15/16"	(2) 17-11/16"	(2) 16-11/32"

### Non-Standard Door & Drawer Front Size Formulas

Number of Doors & Fronts	Traditional Width	Modified Width	Inset Width
9" - 24" W = 1 door & 9" - 36" W = 1 drawer	Opening + 1"	Opening + 2-1/2"	Opening - 3/16"
24" DD - 36" W = 2 doors ("butt" type)	(Opening ÷ 2) + 7/16"	(Opening ÷ 2) + 1-3/16"	(Opening - 5/16") ÷ 2
	Traditional & Modified Height		Inset Height
Doors	Opening + 1"		Opening - 3/16"
Drawer Fronts	Opening + 15/16"		Opening - 3/16"

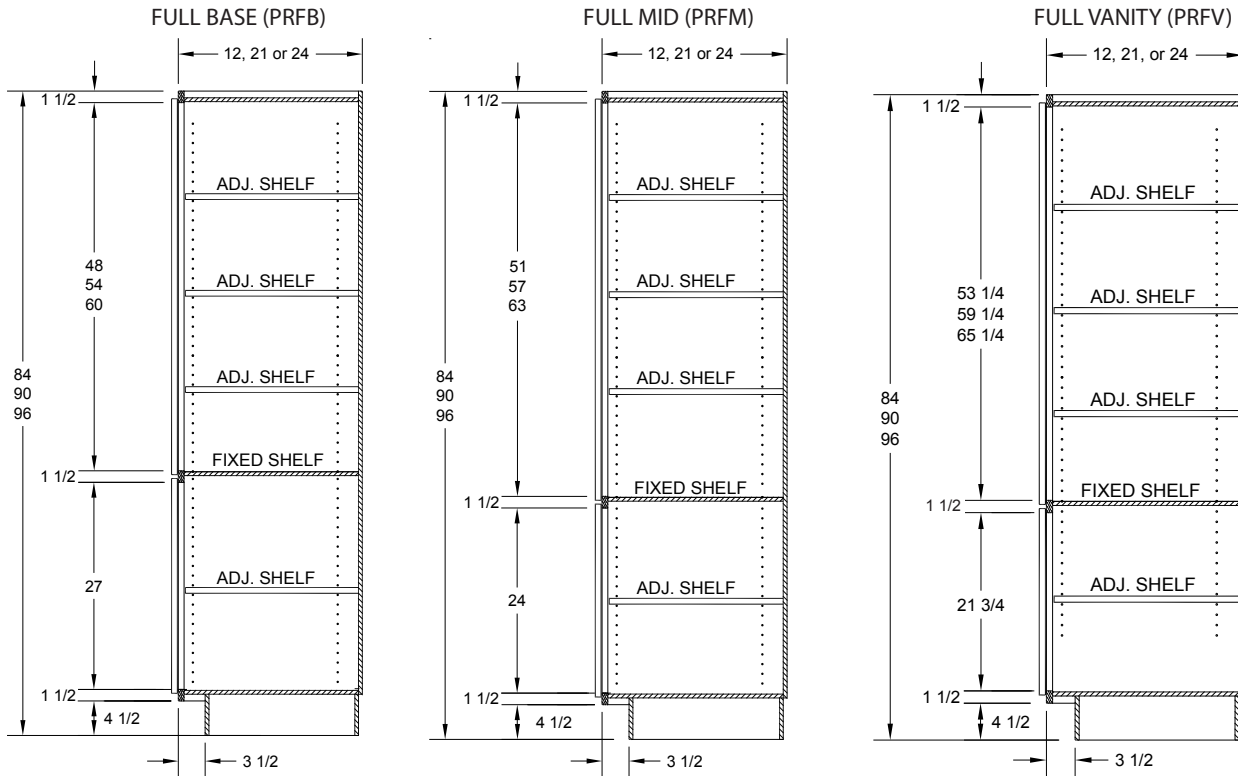
# Tall Cabinets

## Pantry Reverse Cross Sections

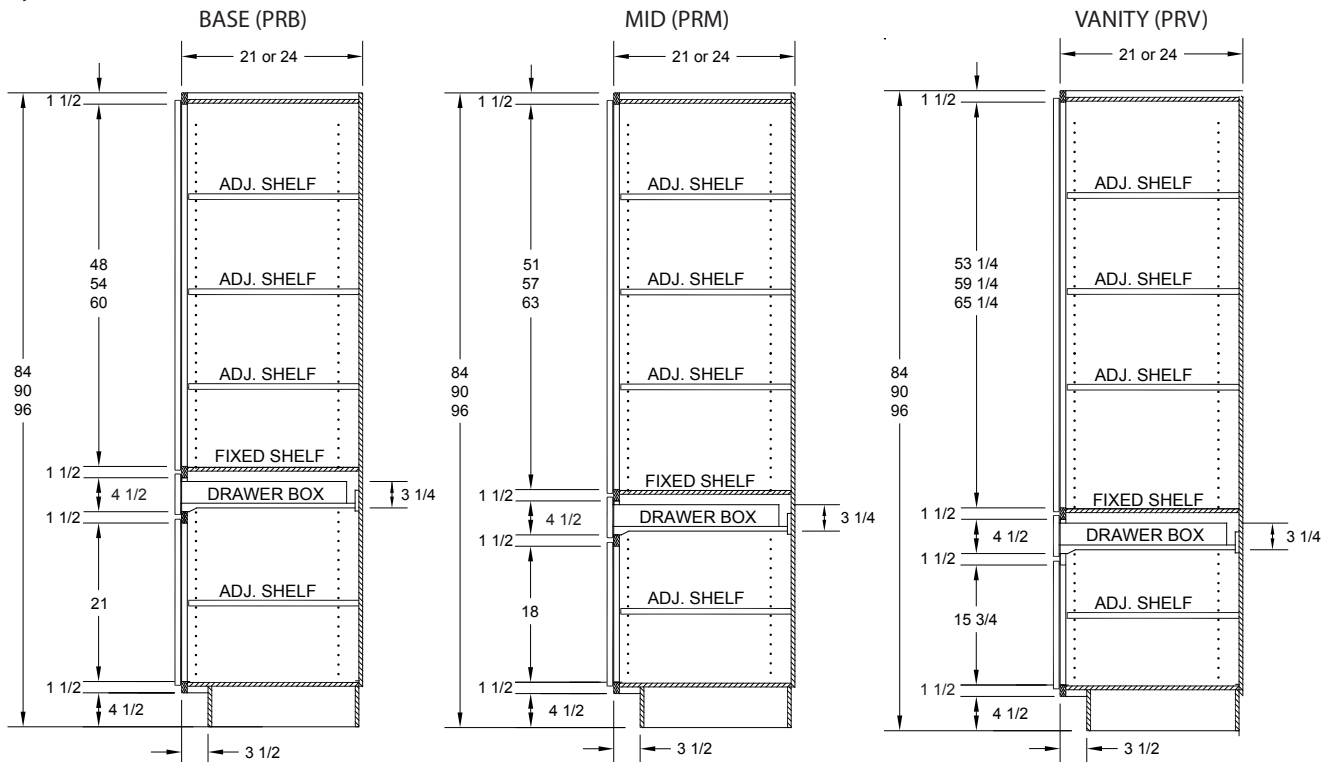
Find door & drawer front heights, widths and reveals on pg T-1

Cross sections feature drawer heights of hardwood drawers (HWDWR). Drawer heights of solid wood drawers (SWD) may vary slightly. Drawer front heights and openings are not affected.

### Pantry Reverse Full Doors (PRF-B,M,V\_)



### Pantry Reverse Doors / Drawers (PR-B,M,V\_)





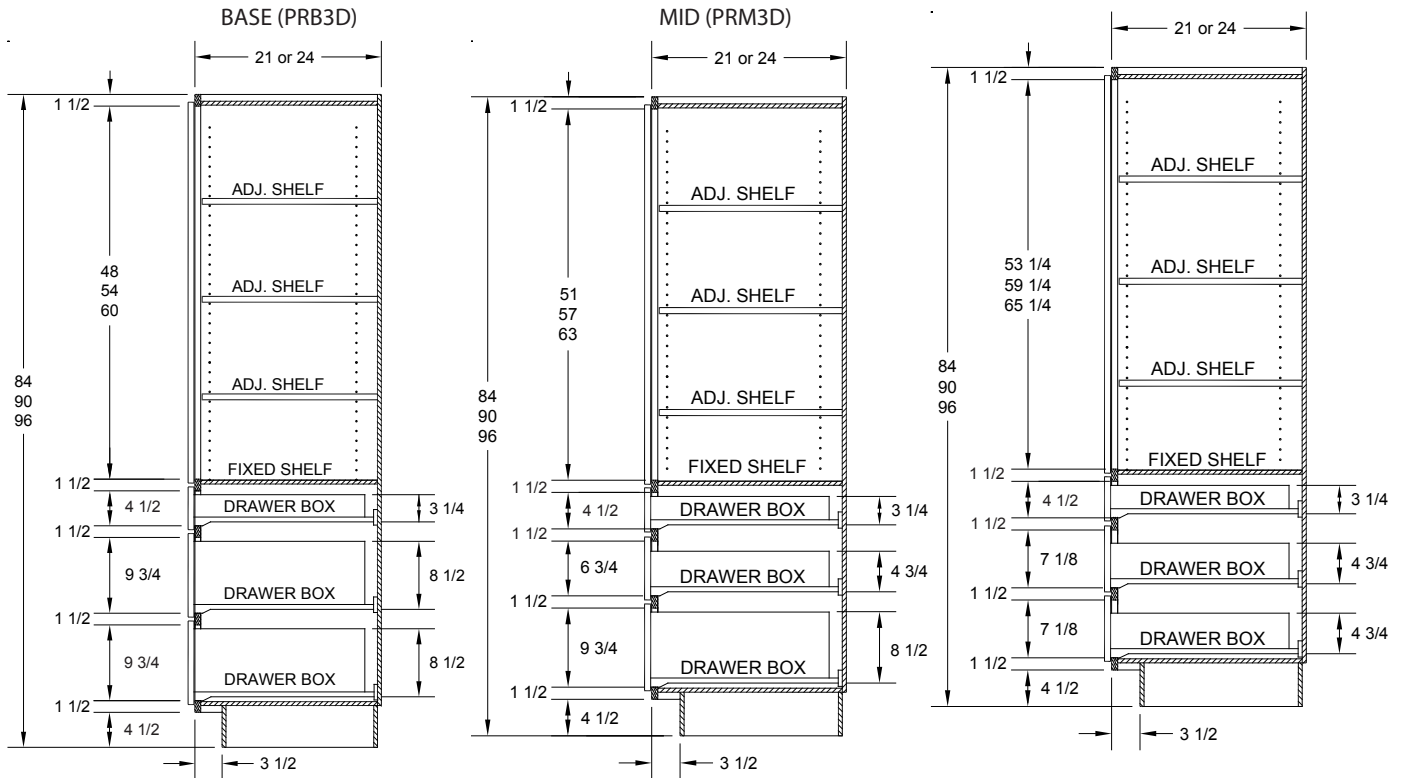
# Tall Cabinets

## Pantry Reverse Cross Sections

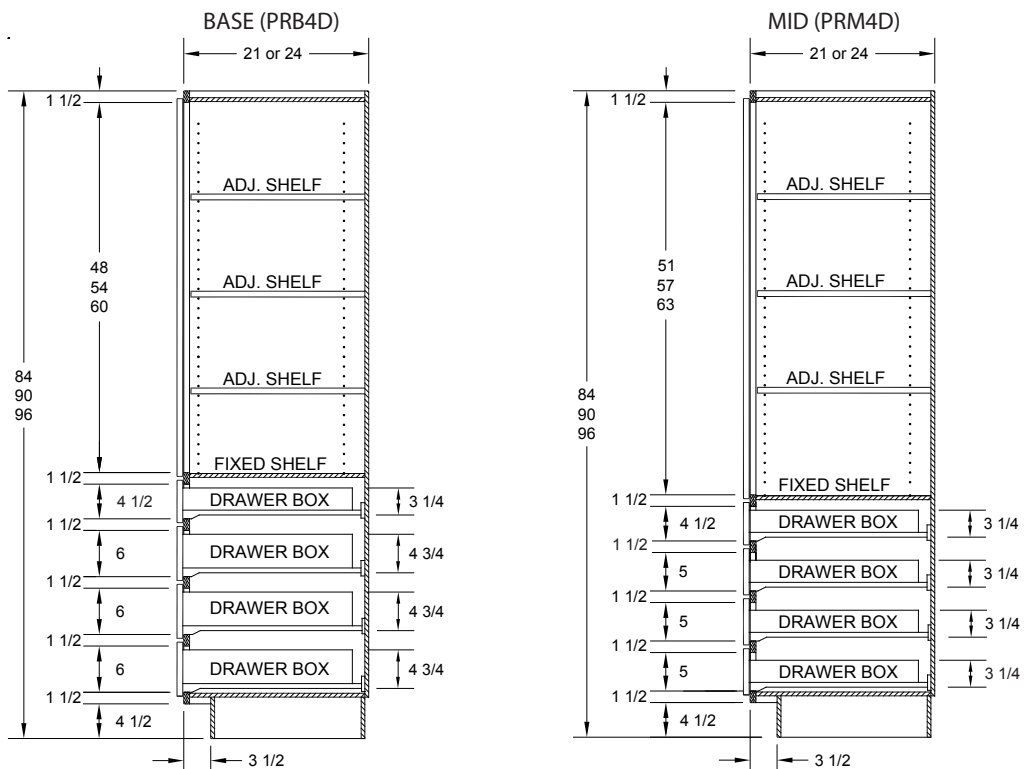
Find door & drawer front heights, widths and reveals on pg T-1

Cross sections feature drawer heights of hardwood drawers (HWDWR). Drawer heights of solid wood drawers (SWD) may vary slightly. Drawer front heights and openings are not affected.

### Pantry Reverse 3-Drawer (PR-B,M,V-3D)



### Pantry Reverse 4-Drawer (PR-B,M-4D)



# Tall Cabinets

\* L or R required

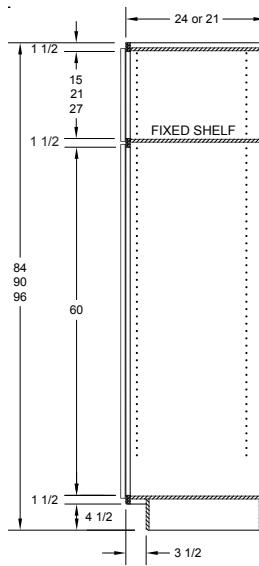
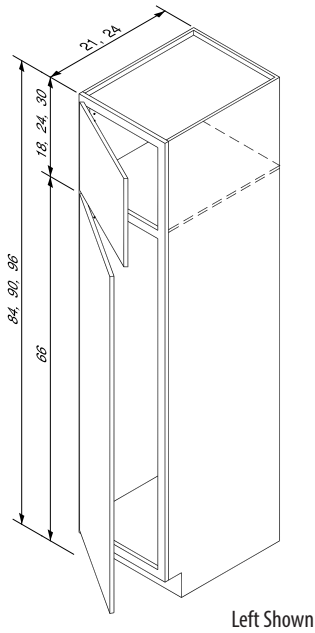
## UTILITY – 24" or 21" DEEP

Overall Cabinet Height	Qty of Adj. Shelves
78" – 90"	0
90-1/4" – 96"	1

- Qty. of adjustable shelves in upper section depends on cabinet height
- Cabinets sides are drilled for optional adjustable shelves or roll-outs
- Configuration for lower doors varies by door style (use General Section for lower door configuration)

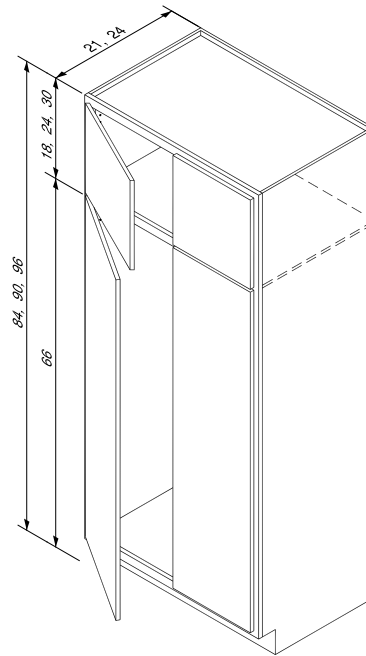
### MODIFICATION LIMITS

Width 9" – 24"  
 Height 78" – 96"  
 Depth 13" – 30"



### MODIFICATION LIMITS

Width 18" – 42" (Inset: 21" min.)  
 Height 78" – 96"  
 Depth 13" – 30"



#### U2DR

84" | 87" | 90" | 93" | 96" H

U15\_X21\*  
 U18\_X21\*  
 U21\_X21\*  
 U24\_X21\*

U15\_X24\*  
 U18\_X24\*  
 U21\_X24\*  
 U24\_X24\*

#### U4DR

84" | 87" | 90" | 93" | 96" H

U24\_X21DD  
 U27\_X21  
 U30\_X21  
 U33\_X21  
 U36\_X21

U24\_X24DD  
 U27\_X24  
 U30\_X24  
 U33\_X24  
 U36\_X24

# Tall Cabinets

\* L or R required

	C0	C1	C2	C4	C4A	C5	C7	C7A	C9	C9A	C10	C10A	C11	C12	C12A	C13	C13A	C14	C15	C16
<b>UTILITY (2-DR) - 84" H x 24" or 21" D</b>																				
U1584X(D)*	739	834	948	1258	1460	1788	974	1169	1201	1392	1247	1447	1408	1448	1655	1518	1735	1659	1939	2259
U1884X(D)*	782	897	1029	1374	1593	1984	1070	1286	1311	1520	1347	1538	1562	1608	1838	1686	1928	1842	2154	2512
U2184X(D)*	824	960	1114	1492	1730	2183	1167	1403	1423	1650	1491	1703	1716	1767	2023	1854	2122	2025	2369	2764
U2484X(D)*	865	1023	1196	1608	1864	2381	1264	1520	1533	1777	1635	1867	1872	1927	2206	2020	2315	2208	2585	3015
<b>UTILITY (4-DR) - 84" H x 24" or 21" D</b>																				
U2484X(D) DD	901	1096	1303	1791	2105	2610	1420	1671	1708	2006	1774	2084	2052	2112	2429	2215	2547	2420	2834	3307
U2784X(D)	943	1158	1386	1906	2240	2809	1465	1788	1818	2135	1896	2191	2206	2271	2614	2383	2742	2605	3049	3560
U3084X(D)	985	1221	1469	2023	2374	3007	1562	1905	1930	2264	2040	2356	2361	2430	2797	2549	2934	2788	3265	3811
U3384X(D)	1026	1284	1552	2140	2512	3205	1660	2022	2040	2395	2184	2520	2515	2590	2982	2717	3127	2971	3480	4064
U3684X(D)	1068	1347	1635	2256	2646	3402	1757	2139	2151	2522	2329	2685	2671	2749	3165	2885	3321	3155	3696	4316
<b>UTILITY (2-DR) - 87" or 90" H x 24" or 21" D</b>																				
U15(H)X(D)*	787	887	1006	1335	1545	1898	1035	1240	1274	1474	1323	1528	1494	1538	1757	1613	1842	1762	2061	2403
U18(H)X(D)*	834	957	1097	1462	1693	2113	1140	1369	1394	1615	1437	1640	1662	1711	1957	1794	2052	1961	2293	2675
U21(H)X(D)*	882	1026	1189	1589	1842	2330	1247	1498	1516	1757	1594	1820	1832	1886	2159	1978	2264	2161	2530	2953
U24(H)X(D)*	929	1096	1279	1716	1991	2546	1353	1625	1637	1898	1752	2000	2000	2059	2359	2159	2474	2361	2763	3224
<b>UTILITY (4-DR) - 87" or 90" H x 24" or 21" D</b>																				
U24(H)X(D) DD	963	1169	1386	1900	2230	2776	1508	1776	1811	2127	1867	2157	2181	2246	2581	2356	2709	2575	3015	3519
U27(H)X(D)	1011	1238	1477	2028	2378	2992	1564	1903	1933	2268	2025	2337	2349	2418	2781	2537	2919	2775	3248	3792
U30(H)X(D)	1058	1308	1569	2156	2527	3209	1669	2032	2056	2408	2183	2517	2519	2593	2983	2720	3131	2975	3484	4067
U33(H)X(D)	1106	1377	1660	2283	2675	3424	1776	2161	2176	2549	2340	2697	2686	2766	3183	2902	3339	3173	3718	4342
U36(H)X(D)	1153	1447	1752	2410	2824	3641	1883	2288	2298	2692	2498	2875	2856	2941	3384	3085	3550	3375	3953	4617
<b>UTILITY (2-DR) - 93" or 96" H x 24" or 21" D</b>																				
U15(H)X(D)*	833	936	1062	1406	1628	2008	1092	1309	1342	1554	1353	1545	1581	1626	1857	1706	1947	1864	2179	2542
U18(H)X(D)*	882	1009	1158	1542	1786	2237	1204	1445	1470	1703	1521	1737	1760	1811	2071	1900	2173	2076	2429	2834
U21(H)X(D)*	931	1084	1255	1677	1944	2468	1318	1581	1599	1854	1689	1927	1940	1996	2285	2093	2396	2288	2678	3126
U24(H)X(D)*	980	1157	1352	1813	2101	2697	1430	1716	1728	2003	1857	2118	2118	2181	2497	2288	2619	2502	2927	3416
<b>UTILITY (4-DR) - 93" or 96" H x 24" or 21" D</b>																				
U24(H)X(D) DD	1014	1230	1457	1996	2340	2927	1586	1867	1903	2232	1972	2276	2298	2366	2720	2481	2854	2714	3178	3711
U27(H)X(D)	1067	1304	1557	2135	2502	3160	1650	2006	2035	2385	2142	2469	2481	2554	2937	2680	3082	2931	3431	4006
U30(H)X(D)	1119	1381	1657	2273	2661	3394	1766	2145	2167	2537	2313	2664	2664	2742	3155	2876	3311	3146	3685	4303
U33(H)X(D)	1170	1455	1754	2408	2820	3624	1877	2283	2296	2688	2481	2854	2844	2927	3367	3071	3533	3360	3935	4594
U36(H)X(D)	1219	1528	1850	2544	2976	3853	1991	2418	2425	2837	2647	3046	3022	3112	3580	3265	3757	3572	4186	4890

"(H) & (D)" Specify overall height & depth

# Tall Cabinets

\* L or R required

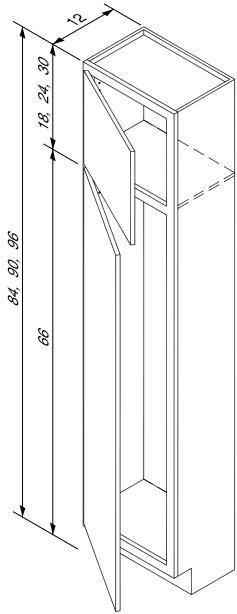
## UTILITY – 12" DEEP

Overall Cabinet Height	Qty of Adj. Shelves
78" – 90"	0
90-1/4" – 96"	1

- Qty. of adjustable shelves in upper section depends on cabinet height
- Cabinets sides are drilled for optional adjustable shelves or roll-outs
- Configuration for lower doors varies by door style (use General Section for lower door configuration)

### MODIFICATION LIMITS

Width 9" – 24"  
 Height 78" – 96"  
 Depth 9" – 12"



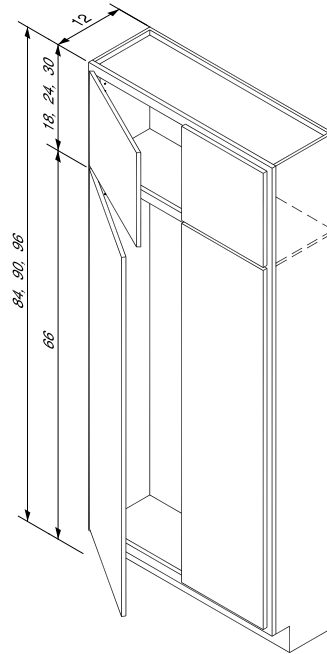
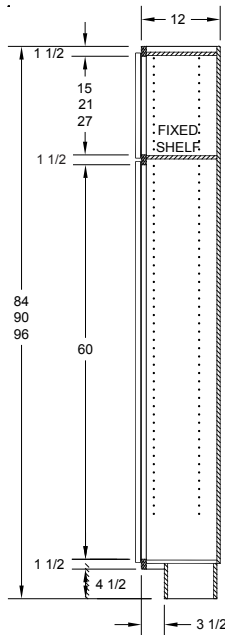
U2DR

84" | 87" | 90" | 93" | 96" H

- U15\_X12\*
- U18\_X12\*
- U21\_X12\*
- U24\_X12\*

### MODIFICATION LIMITS

Width 18" – 42" (Inset: 21" min.)  
 Height 78" – 96"  
 Depth 9" – 12"



U4DR

84" | 87" | 90" | 93" | 96" H

- U24\_X12DD
- U27\_X12
- U30\_X12
- U33\_X12
- U36\_X12

# Tall Cabinets

\* L or R required

	C0	C1	C2	C4	C4A	C5	C7	C7A	C9	C9A	C10	C10A	C11	C12	C12A	C13	C13A	C14	C15	C16
<b>UTILITY (2-DR) - 84" H x 12" D</b>																				
U1584X12*	578	683	799	1091	1272	1587	834	1007	1041	1214	1080	1260	1252	1287	1476	1350	1547	1474	1721	2006
U1884X12*	605	731	867	1191	1391	1766	918	1109	1136	1326	1187	1362	1391	1431	1642	1501	1721	1638	1916	2234
U2184X12*	633	780	934	1292	1508	1944	1001	1211	1233	1438	1318	1511	1530	1574	1808	1650	1896	1803	2108	2458
U2484X12*	658	828	1004	1392	1625	2122	1084	1311	1328	1550	1447	1660	1669	1718	1974	1801	2071	1969	2303	2686
<b>UTILITY (4-DR) - 84" H x 12" D</b>																				
U2484X12DD	692	901	1111	1576	1864	2352	1240	1462	1503	1777	1562	1847	1849	1903	2198	1996	2305	2181	2552	2978
U2784X12	719	948	1179	1676	1981	2530	1272	1564	1598	1889	1693	1967	1989	2047	2364	2147	2480	2347	2748	3205
U3084X12	746	997	1247	1777	2100	2710	1355	1665	1694	2001	1823	2117	2128	2191	2530	2298	2654	2512	2943	3434
U3384X12	772	1045	1316	1876	2217	2888	1438	1767	1789	2113	1954	2266	2269	2335	2697	2449	2829	2678	3136	3660
U3684X12	799	1092	1384	1976	2334	3068	1523	1869	1884	2225	2084	2413	2408	2480	2863	2602	3004	2844	3331	3889
<b>UTILITY (2-DR) - 87" or 90" H x 12" D</b>																				
U15(H)X12*	609	719	841	1150	1340	1677	880	1062	1097	1279	1140	1328	1321	1360	1559	1426	1635	1557	1820	2120
U18(H)X12*	639	772	916	1258	1467	1871	970	1172	1201	1399	1258	1445	1474	1516	1740	1589	1825	1737	2030	2368
U21(H)X12*	668	826	990	1367	1594	2066	1062	1282	1304	1521	1401	1606	1625	1672	1920	1754	2013	1916	2240	2614
U24(H)X12*	697	879	1065	1476	1721	2259	1152	1392	1408	1642	1542	1767	1776	1828	2100	1916	2201	2095	2452	2861
<b>UTILITY (4-DR) - 87" or 90" H x 12" D</b>																				
U24(H)X12DD	733	950	1170	1659	1962	2488	1308	1543	1582	1871	1657	1925	1955	2013	2324	2112	2437	2308	2702	3153
U27(H)X12	762	1004	1245	1769	2089	2683	1347	1654	1688	1993	1798	2086	2108	2169	2503	2276	2625	2488	2912	3399
U30(H)X12	790	1057	1321	1877	2217	2876	1438	1764	1791	2113	1940	2249	2259	2325	2683	2439	2815	2666	3122	3645
U33(H)X12	821	1109	1396	1986	2344	3070	1528	1874	1894	2235	2081	2410	2410	2481	2865	2603	3005	2846	3333	3891
U36(H)X12	850	1162	1470	2095	2473	3263	1620	1984	1998	2357	2222	2571	2563	2637	3044	2766	3194	3026	3545	4138
<b>UTILITY (2-DR) - 93" or 96" H x 12" D</b>																				
U15(H)X12*	638	755	882	1208	1404	1766	924	1114	1152	1340	1179	1352	1391	1431	1642	1501	1721	1638	1916	2234
U18(H)X12*	668	811	960	1323	1540	1972	1021	1233	1262	1469	1328	1523	1552	1598	1833	1676	1923	1830	2140	2497
U21(H)X12*	699	865	1040	1438	1677	2179	1118	1350	1372	1599	1479	1696	1715	1764	2025	1850	2123	2022	2364	2758
U24(H)X12*	729	921	1119	1552	1810	2385	1214	1467	1481	1727	1630	1867	1876	1930	2218	2023	2327	2212	2590	3022
<b>UTILITY (4-DR) - 93" or 96" H x 12" D</b>																				
U24(H)X12DD	765	994	1225	1737	2050	2615	1369	1616	1657	1955	1745	2025	2056	2115	2441	2218	2561	2425	2839	3314
U27(H)X12	797	1052	1306	1855	2190	2824	1416	1737	1769	2088	1898	2200	2218	2283	2636	2395	2764	2619	3065	3577
U30(H)X12	829	1109	1387	1972	2327	3032	1513	1855	1881	2218	2049	2373	2381	2451	2829	2571	2968	2810	3292	3843
U33(H)X12	860	1163	1465	2088	2463	3238	1610	1972	1991	2347	2200	2546	2542	2617	3022	2746	3172	3002	3516	4104
U36(H)X12	890	1219	1545	2205	2598	3445	1706	2089	2101	2476	2351	2717	2703	2783	3214	2921	3372	3194	3741	4369

"(H)" Specify overall height

# Tall Cabinets

\* L or R required

## UTILITY ROLL-OUT

Overall Cabinet Height	Qty of Adj. Shelves
78" - 90"	0
90-1/4" - 96"	1

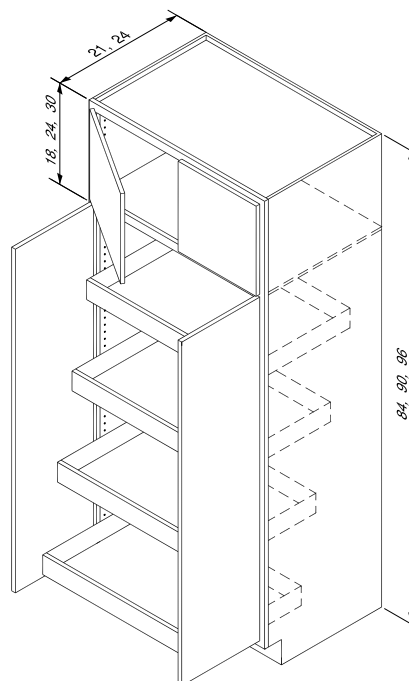
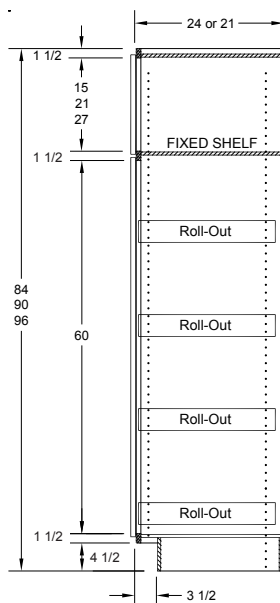
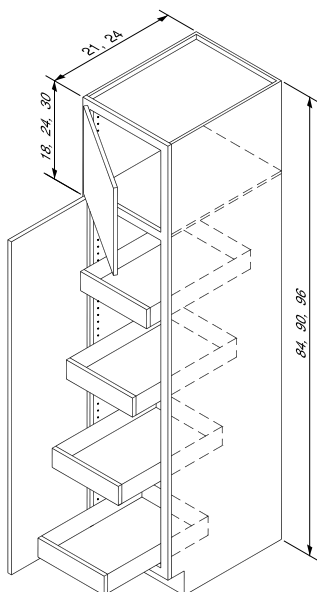
- Four 3-1/4" tall adjustable roll-outs, finished Natural, 5/8" thick solid wood sides and dovetail construction
- For depth increases beyond 24", roll-out depth and location does not change
- Roll-outs are shelfmounted (SMRO) when doors are Inset or Beaded Inset
- Qty. of adjustable shelves in upper section depends on cabinet height
- Configuration for lower doors varies by door style (use General Section for lower door configuration)

### MODIFICATION LIMITS

Width 15" - 24"  
 Height 78" - 96"  
 Depth 12" - 30"

### MODIFICATION LIMITS

Width 18" - 36" (Inset: 21" min.)  
 Height 78" - 96"  
 Depth 12" - 30"



#### URO2DR

84" | 87" | 90" | 93" | 96" H

URO15\_\_X21\*  
 URO18\_\_X21\*  
 URO21\_\_X21\*  
 URO24\_\_X21\*

URO15\_\_X24\*  
 URO18\_\_X24\*  
 URO21\_\_X24\*  
 URO24\_\_X24\*

#### URO4DR

84" | 87" | 90" | 93" | 96" H

URO24\_\_X21DD  
 URO27\_\_X21  
 URO30\_\_X21  
 URO33\_\_X21  
 URO36\_\_X21

URO24\_\_X24DD  
 URO27\_\_X24  
 URO30\_\_X24  
 URO33\_\_X24  
 URO36\_\_X24

# Tall Cabinets

\* L or R required

	C0	C1	C2	C4	C4A	C5	C7	C7A	C9	C9A	C10	C10A	C11	C12	C12A	C13	C13A	C14	C15	C16
<b>UTILITY-RO (2-DR) - 84" H x 24" or 21" D</b>																				
URO1584X(D)*	1314	1374	1481	1854	2122	2498	1470	1742	1767	2023	1837	2103	1976	2022	2295	2120	2407	2317	2714	3166
URO1884(D)*	1386	1465	1591	2001	2291	2736	1593	1889	1908	2184	1983	2269	2164	2212	2512	2320	2636	2536	2970	3467
URO2184(D)*	1459	1557	1703	2149	2463	2971	1716	2037	2049	2347	2128	2439	2354	2402	2731	2519	2865	2754	3226	3765
URO2484(D)*	1531	1647	1813	2296	2634	3207	1840	2184	2190	2510	2274	2608	2542	2591	2948	2719	3092	2973	3482	4065
<b>UTILITY-RO (4-DR) - 84" H x 24" or 21" D</b>																				
URO2484(D) DD	1565	1679	1845	2374	2720	3302	1869	2218	2264	2593	2352	2695	2619	2668	3034	2798	3183	3061	3585	4186
URO2784(D)	1638	1811	2030	2627	3043	3672	2067	2483	2505	2900	2603	3014	2875	2966	3389	3112	3555	3404	3987	4657
URO3084(D)	1710	1903	2142	2776	3214	3908	2190	2630	2646	3063	2749	3183	3065	3156	3607	3312	3785	3623	4245	4959
URO3384(D)	1782	1994	2254	2924	3385	4143	2313	2778	2787	3226	2897	3353	3253	3346	3824	3511	4013	3841	4501	5258
URO3684(D)	1855	2084	2364	3071	3553	4377	2437	2926	2927	3387	3043	3521	3441	3534	4042	3709	4242	4057	4756	5556
<b>UTILITY-RO (2-DR) - 87" or 90" H x 24" or 21" D</b>																				
URO15(H)(D)*	1362	1426	1538	1930	2210	2614	1530	1815	1840	2106	1911	2190	2066	2113	2398	2217	2515	2424	2836	3309
URO18(H)(D)*	1438	1525	1657	2088	2391	2866	1664	1972	1991	2279	2069	2369	2269	2317	2632	2430	2761	2658	3110	3631
URO21(H)(D)*	1516	1621	1777	2247	2575	3119	1796	2132	2142	2454	2225	2551	2473	2520	2866	2644	3007	2892	3385	3952
URO24(H)(D)*	1594	1720	1896	2405	2758	3372	1928	2290	2293	2629	2383	2732	2675	2724	3100	2858	3253	3126	3660	4274
<b>UTILITY-RO (4-DR) - 87" or 90" H x 24" or 21" D</b>																				
URO24(H)(D) DD	1628	1752	1928	2485	2848	3468	1957	2324	2369	2714	2463	2820	2751	2802	3187	2939	3345	3214	3767	4399
URO27(H)(D)	1706	1891	2122	2749	3182	3855	2164	2598	2620	3032	2724	3151	3022	3114	3558	3266	3733	3573	4187	4891
URO30(H)(D)	1784	1989	2242	2907	3365	4108	2296	2758	2771	3207	2880	3333	3226	3317	3792	3480	3979	3808	4462	5212
URO33(H)(D)	1862	2088	2361	3066	3548	4364	2430	2915	2922	3382	3038	3516	3429	3523	4026	3696	4225	4043	4739	5536
URO36(H)(D)	1940	2184	2481	3224	3730	4617	2563	3075	3073	3555	3194	3696	3631	3726	4260	3909	4471	4277	5013	5858
<b>UTILITY-RO (2-DR) - 93" or 96" H x 24" or 21" D</b>																				
URO15(H)(D)*	1406	1476	1594	2003	2291	2720	1589	1883	1910	2184	1984	2269	2154	2200	2498	2307	2620	2522	2953	3446
URO18(H)(D)*	1486	1577	1718	2169	2483	2988	1728	2049	2067	2368	2149	2461	2368	2415	2746	2534	2882	2770	3244	3787
URO21(H)(D)*	1565	1679	1844	2335	2678	3255	1867	2217	2227	2552	2313	2653	2581	2630	2993	2759	3141	3017	3534	4126
URO24(H)(D)*	1645	1781	1967	2502	2868	3523	2005	2383	2385	2734	2478	2841	2795	2846	3239	2985	3399	3265	3826	4469
<b>UTILITY-RO (4-DR) - 93" or 96" H x 24" or 21" D</b>																				
URO24(H)(D) DD	1679	1813	2000	2581	2958	3618	2035	2417	2461	2819	2558	2929	2871	2922	3324	3066	3489	3353	3928	4588
URO27(H)(D)	1762	1957	2201	2856	3304	4025	2251	2702	2722	3149	2829	3273	3156	3250	3713	3409	3896	3730	4371	5105
URO30(H)(D)	1845	2062	2330	3026	3501	4296	2393	2871	2883	3336	2997	3468	3373	3468	3964	3640	4159	3981	4666	5451
URO33(H)(D)	1925	2164	2454	3192	3692	4564	2532	3038	3043	3519	3165	3611	3589	3684	4211	3865	4420	4228	4957	5792
URO36(H)(D)	2005	2266	2580	3358	3886	4829	2671	3204	3200	3702	3360	3831	3802	3897	4457	4089	4678	4474	5246	6129

"(H) & (D)" Specify overall height & depth

# Tall Cabinets

\* L or R required

## UTILITY DOOR RACK

Overall Cabinet Height	Qty of Adj. Shelves
78" - 90"	0
90-1/4" - 96"	1

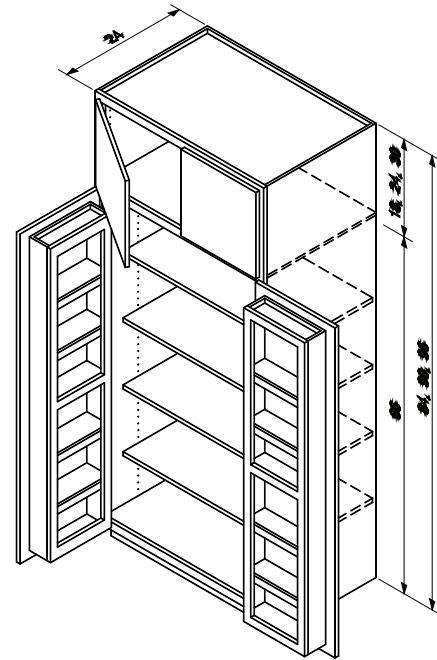
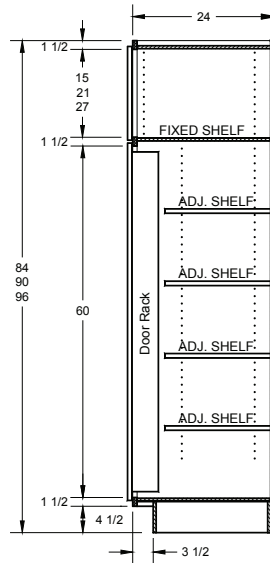
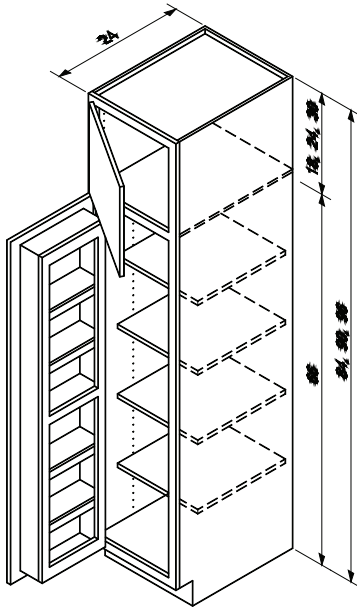
- Lower section contains four 3/4" thick x 18" deep adjustable shelves
- 4-1/2" deep Maple door rack is finished Natural, has five adjustable shelves and is shipped installed
- Qty. of adjustable shelves in upper section depends on cabinet height
- Configuration for lower doors varies by door style (use General Section for lower door configuration)

### MODIFICATION LIMITS

Width No Width Mods  
 Height 78" - 96"  
 Depth 18" - 30"

### MODIFICATION LIMITS

Width No Width Mods  
 Height 78" - 96"  
 Depth 18" - 30"



UDR2DR  
 84" | 87" | 90" | 93" | 96" H  
 UDR18\_X21\*  
 UDR18\_X24\*

UDR4DR  
 84" | 87" | 90" | 93" | 96" H  
 UDR36\_X21  
 UDR36\_X24

- Illustration shows right door open 180° to reveal interior of cabinet and door rack
- Actual maximum opening is 110° for concealed hinges



# Tall Cabinets

\* L or R required

	C0	C1	C2	C4	C4A	C5	C7	C7A	C9	C9A	C10	C10A	C11	C12	C12A	C13	C13A	C14	C15	C16
<b>UTILITY-DOOR RACK (2-DR) - 84" H</b>																				
UDR1884X21*	1330	1421	1570	2069	2413	2922	1572	1925	1957	2286	2047	2388	2246	2301	2656	2429	2802	2685	3199	3789
UDR1884X24*	1330	1421	1570	2069	2413	2922	1572	1925	1957	2286	2047	2388	2246	2301	2656	2429	2802	2685	3199	3789
<b>UTILITY-DOOR RACK (4-DR) - 84" H</b>																				
UDR3684X21	2112	2266	2515	3345	3919	4766	2517	3105	3160	3707	3307	3877	3638	3731	4323	3945	4567	4372	5229	6211
UDR3684X24	2112	2266	2515	3345	3919	4766	2517	3105	3160	3707	3307	3877	3638	3731	4323	3945	4567	4372	5229	6211
<b>UTILITY-DOOR RACK (2-DR) - 87" or 90" H</b>																				
UDR18(H)X21*	1365	1482	1654	2190	2556	3133	1672	2047	2073	2422	2166	2530	2413	2471	2853	2607	3009	2882	3428	4057
UDR18(H)X24*	1365	1482	1654	2190	2556	3133	1672	2047	2073	2422	2166	2530	2413	2471	2853	2607	3009	2882	3428	4057
<b>UTILITY-DOOR RACK (4-DR) - 87" or 90" H</b>																				
UDR36(H)X21	2173	2366	2653	3546	4157	5117	2683	3307	3351	3933	3507	4113	3919	4014	4652	4242	4912	4698	5610	6657
UDR36(H)X24	2173	2366	2653	3546	4157	5117	2683	3307	3351	3933	3507	4113	3919	4014	4652	4242	4912	4698	5610	6657
<b>UTILITY-DOOR RACK (2-DR) - 93" or 96" H</b>																				
UDR18(H)X21*	1423	1548	1730	2290	2670	3285	1754	2144	2167	2530	2266	2642	2536	2593	2992	2736	3155	3021	3594	4248
UDR18(H)X24*	1423	1548	1730	2290	2670	3285	1754	2144	2167	2530	2266	2642	2536	2593	2992	2736	3155	3021	3594	4248
<b>UTILITY-DOOR RACK (4-DR) - 93" or 96" H</b>																				
UDR36(H)X21	2269	2478	2780	3713	4345	5371	2819	3468	3509	4113	3672	4299	4121	4218	4883	4455	5154	4932	5885	6977
UDR36(H)X24	2269	2478	2780	3713	4345	5371	2819	3468	3509	4113	3672	4299	4121	4218	4883	4455	5154	4932	5885	6977

"(H)" Specify overall height

# Tall Cabinets

## UTILITY SWING-OUT SHELVES PANTRY

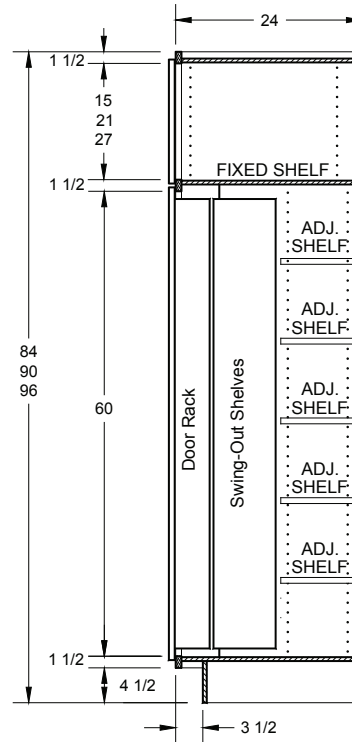
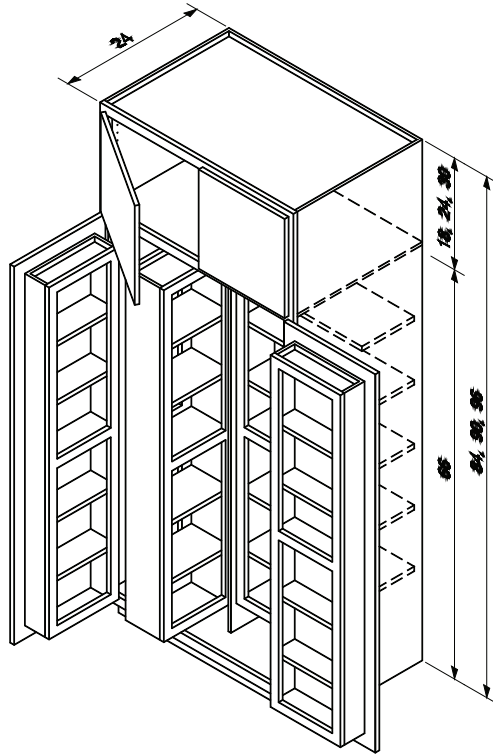
### MODIFICATION LIMITS

Width No Width Mods  
 Height 78" – 96"  
 Depth No Depth Mods

Overall Cabinet Height	Qty of Adj. Shelves
78" – 90"	0
90-1/4" – 96"	1

- Lower section includes five 9-3/4" deep adjustable shelves on each side of a fixed divider, two swing-out shelves and two door racks
- Each 8" deep Maple swing-out shelf and 4-1/2" deep door rack has five adjustable shelves and is finished Natural
- Door racks are shipped installed; swing-out shelves are installed, then removed for shipping

- Qty. of adjustable shelves in upper section depends on cabinet height
- Configuration for lower doors varies by door style (use General Section for configuration)
- **Note:** Allow a minimum of 6" from edge of cabinet to an adjacent wall or object in order for swing-out shelves to clear door rack when opened (see image on next page)



USOS4DR

84" | 87" | 90" | 93" | 96" H

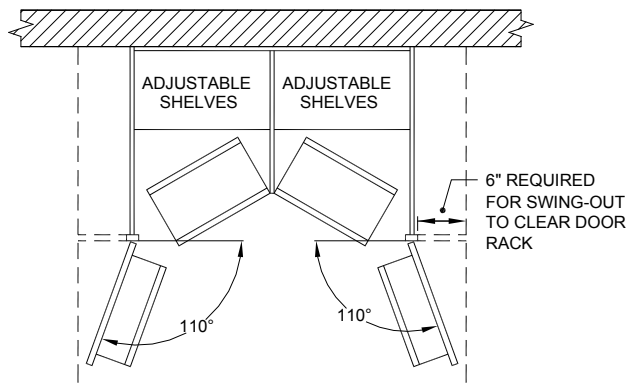
USOS36\_\_

- Illustration shows right door open 180° to reveal interior of cabinet and door rack
- Actual maximum opening is 110° for concealed hinges

# Tall Cabinets

	C0	C1	C2	C4	C4A	C5	C7	C7A	C9	C9A	C10	C10A	C11	C12	C12A	C13	C13A	C14	C15	C16
<b>UTILITY SWING-OUT SHELVES PANTRY (4-DR)</b>																				
<b>USOS3684</b>	2705	2859	3109	3938	4513	5359	3110	3699	3753	4301	3901	4471	4232	4325	4917	4538	5161	4966	5822	6804
<b>USOS3687</b>	2766	2960	3246	4140	4750	5710	3277	3901	3945	4527	4101	4706	4513	4608	5246	4835	5505	5292	6204	7250
<b>USOS3690</b>	2766	2960	3246	4140	4750	5710	3277	3901	3945	4527	4101	4706	4513	4608	5246	4835	5505	5292	6204	7250
<b>USOS3693</b>	2863	3071	3373	4306	4939	5965	3412	4062	4103	4706	4265	4893	4715	4812	5476	5049	5748	5526	6479	7571
<b>USOS3696</b>	2863	3071	3373	4306	4939	5965	3412	4062	4103	4706	4265	4893	4715	4812	5476	5049	5748	5526	6479	7571

Top View



# Tall Cabinets

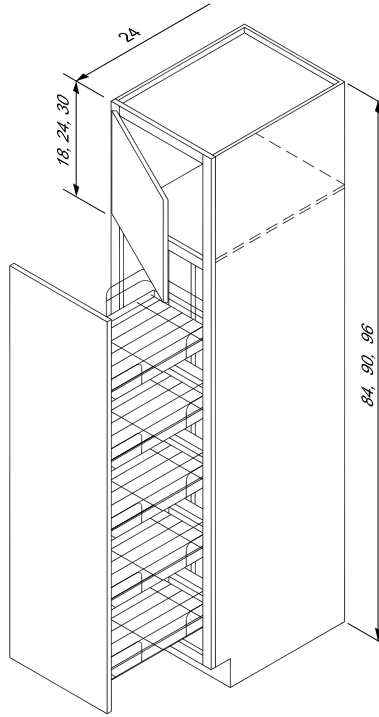
\* L or R required

## UTILITY PULL-OUT - CHROME

### MODIFICATION LIMITS

Width No Width Mods  
 Height 78" – 96"  
 Depth 24" – 30" (Applied to cabinet only)

- Lower section contains a five-basket, chrome pull-out pantry
- Soft-close guides and three adjustable door mount brackets
- Pull-out dimensions: 58-1/4" to 65-3/4"H x 20" D
- Basket dimensions:  
**UPO12\_:** 8-7/8" W x 3" H x 17-1/4" D | **UPO18\_:** 14-3/4" W x 3" H x 17-1/4" D



UPO2DR  
 84" | 87" | 90" | 93" | 96" H  
 UPO12\_\*  
 UPO18\_\*

	C0	C1	C2	C4	C4A	C5	C7	C7A	C9	C9A	C10	C10A	C11	C12	C12A	C13	C13A	C14	C15	C16
<b>UPO - 12" W</b>																				
<b>UPO1284*</b>	5080	5174	5288	5598	5800	6128	5314	5509	5541	5732	5587	5787	5748	5788	5995	5858	6075	5999	6279	6599
<b>UPO12(87 or 90)*</b>	5127	5227	5346	5675	5885	6238	5375	5580	5614	5814	5663	5868	5834	5878	6097	5953	6182	6102	6401	6743
<b>UPO12(93 or 96)*</b>	5173	5276	5402	5746	5968	6348	5432	5649	5682	5894	5693	5885	5921	5967	6197	6046	6287	6204	6519	6882
<b>UPO - 18" W</b>																				
<b>UPO1884*</b>	5515	5631	5763	6107	6326	6718	5804	6019	6045	6253	6080	6272	6296	6341	6572	6419	6662	6575	6887	7245
<b>UPO18(87 or 90)*</b>	5568	5690	5831	6195	6426	6847	5873	6102	6128	6348	6170	6374	6396	6445	6691	6528	6786	6694	7027	7408
<b>UPO18(93 or 96)*</b>	5615	5743	5892	6275	6519	6971	5938	6179	6204	6436	6255	6470	6494	6545	6804	6633	6906	6809	7162	7568

"(H)" Specify height

# Tall Cabinets

\* L or R required

## TALL FILLER PULL-OUT ORGANIZER NOTES

### MODIFICATION LIMITS

No Modifications

### FILLER PULL-OUTS:

- Designed to fit between two cabinets
- Callout width = space required to install between cabinets
- Plywood with natural wood finish
- Filler face is flush with frames of adjacent cabinets
  - (S) Square edge detail on all four sides
  - When installed, 1/16" reveal on each side
- Zinc full-extension guide mounted to top and bottom of pull-out

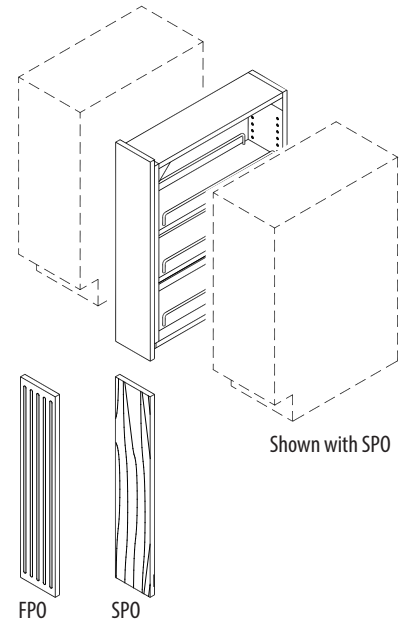
### OPTIONAL PLANT-ON MODELS:

Fluted (FPO) and Solid (SPO)

- Plant-on height will be same as a full height door
- Edge detail matches door
- Plant-ons shipped loose, when ordered
- Install at jobsite

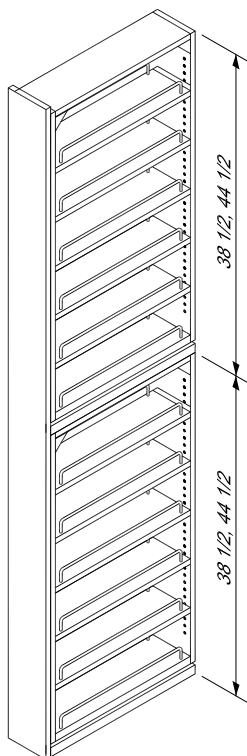
### INSTALL/DESIGN Notes:

- Knob or pull required (not included)
- Two pull-outs (stacked) create overall height
  - Assemble at jobsite
- Flush opening required when installed next to face frame construction (see Opt. 1–3 below)
- Opt. 1: Install 3/8" thick x 3" W cleat directly behind pull-out hardware
  - Raw exterior of cabinets will be visible when unit is pulled out
- Opt. 2: Order 3/8" finished end panels (separately) and install on adjacent cabinets at jobsite
  - Order panels to match frame color or Maple/Natural (to match pull-out shelves)
- Opt. 3: Order adjacent cabinets with installed finished or flush ends



## TALL FILLER PULL-OUT SPICE RACK

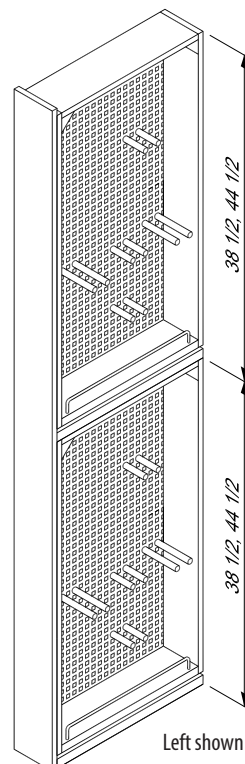
- Fixed and adjustable shelves with chrome rails:  
84" H – 12 shelves (10 adj. 2 fixed)  
90" H – 13 shelves (11 adj. 2 fixed)  
96" H – 14 shelves (12 adj. 2 fixed)



TFPS06_	MSRP
84" H	
TFPS0684	3958
TFPS0684-FPO	4586
TFPS0684-SPO	4274
90" H	
TFPS0690	4099
TFPS0690-FPO	4727
TFPS0690-SPO	4415
96" H	
TFPS0696	4242
TFPS0696-FPO	4869
TFPS0696-SPO	4557

## TALL FILLER PULL-OUT STAINLESS STEEL

- Includes two magnetic stainless steel panels, chrome rails, assortment of black accessory hooks and pegs
- Specify Right or Left orientation



TFPSS06_ (L/R)	MSRP
84" H	
TFPSS0684*	4717
TFPSS0684-FPO*	5344
TFPSS0684-SPO*	5032
90" H	
TFPSS0690*	4852
TFPSS0690-FPO*	5480
TFPSS0690-SPO*	5168
96" H	
TFPSS0696*	4988
TFPSS0696-FPO*	5615
TFPSS0696-SPO*	5303

# Tall Cabinets

\* L or R required

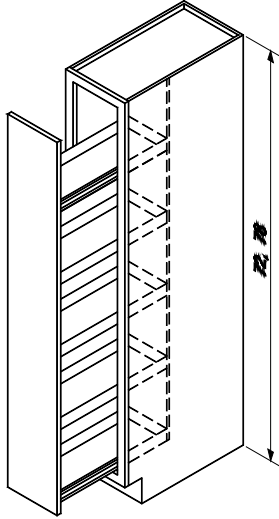
## TALL PULL-OUT

- 2-1/8" high solid hardwood trays with dovetail joints, mounted on two sets of full-extension guides (FEG-Z)
- **Not available:** UMFEg-IM
- Height reductions are made to "S", "M" or "T" upper section

- Allow space to clear adjacent objects such as door and drawer hardware, appliances, and wall mouldings when pull-out is extended
- Configuration for lower doors varies by style (Refer to General Section for details)
- Cabinets over 90" tall receive a loose Toekick

### MODIFICATION LIMITS

No Modifications

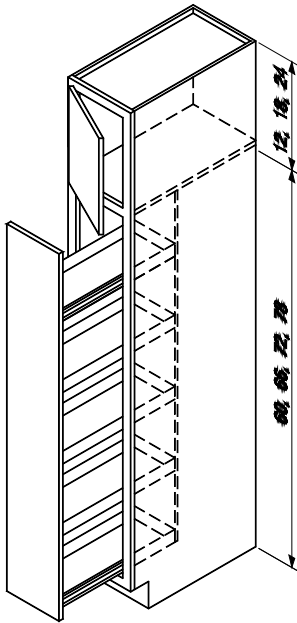


TPN\_\_\_\_  
**(N) No Upper**  
 TPN1272X24  
 TPN1278X24

No. Trays & Clearance
5 at 10-5/8"
5 at 11-3/4"

### MODIFICATION LIMITS

Width No Width Mods  
 Height See Chart  
 Depth No Depth Mods



TPS\_\_\_\_  
**(S) 12" UPPER**  
 TPS1272X24\*  
 TPS1278X24\*  
 TPS1284X24\*  
 TPS1287X24\*  
 TPS1290X24\*

No. Trays & Clearance	Minimum Height	Maximum Height
4 at 11-1/4"	No Height Mods	No Height Mods
4 at 12-3/4"	No Height Mods	No Height Mods
5 at 10-7/8"	No Height Mods	No Height Mods
5 at 11-1/2"	No Height Mods	No Height Mods
5 at 12-3/16"	No Height Mods	No Height Mods

TPM2DR  
**(M) 18" UPPER**  
 TPM1278X24\*  
 TPM1284X24\*  
 TPM1287X24\*  
 TPM1290X24\*  
 TPM1293X24\*  
 TPM1296X24\*

No. Trays & Clearance	Minimum Height	Maximum Height
4 at 11-1/4"	72-1/4"	78"
4 at 12-3/4"	78-1/4"	84"
4 at 13-1/2"	84-1/4"	87"
5 at 10-7/8"	87-1/4"	90"
5 at 11-1/2"	90-1/4"	93"
5 at 12-3/16"	93-1/4"	96"

TPT2DR  
**(T) 24" UPPER**  
 TPT1284X24\*  
 TPT1287X24\*  
 TPT1290X24\*  
 TPT1293X24\*  
 TPT1296X24\*

No. Trays & Clearance	Minimum Height	Maximum Height
4 at 11-1/4"	78-1/4"	84"
4 at 12"	84-1/4"	87"
4 at 12-3/4"	87-1/4"	90"
4 at 13-1/2"	90-1/4"	93"
5 at 10-7/8"	93-1/4"	96"

### HOW TO ORDER

Configuration	Upper	W	H	D	* Swing
TP	M	12	90	x 24	L

# Tall Cabinets

\* L or R required

	C0	C1	C2	C4	C4A	C5	C7	C7A	C9	C9A	C10	C10A	C11	C12	C12A	C13	C13A	C14	C15	C16
<b>TALL PULL-OUT (NO UPPER)</b>																				
TPN1272X24	1998	2215	2254	2442	2442	3038	2317	2317	2327	2327	2418	2418	2386	2456	2456	2575	2575	2815	2826	3299
TPN1278X24	2161	2396	2437	2641	2641	3287	2507	2507	2517	2517	2617	2617	2580	2656	2656	2787	2787	3046	3058	3568
<b>TALL PULL-OUT SHORT (12" UPPER)</b>																				
TPS1272X24*	2083	2288	2327	2541	2590	3129	2386	2437	2435	2481	2527	2554	2505	2578	2607	2692	2722	2919	2965	3416
TPS1278X24*	2246	2469	2510	2741	2788	3378	2576	2627	2625	2671	2724	2751	2698	2778	2807	2902	2932	3149	3195	3687
TPS1284X24*	2407	2649	2695	2941	2988	3626	2764	2815	2814	2859	2921	2948	2895	2980	3009	3112	3143	3380	3426	3958
TPS1287X24*	2569	2831	2878	3139	3187	3875	2954	3005	3004	3049	3119	3146	3088	3180	3209	3324	3353	3611	3658	4228
TPS1290X24*	2569	2831	2878	3139	3187	3875	2954	3005	3004	3049	3119	3146	3088	3180	3209	3324	3353	3611	3658	4228
<b>TALL PULL-OUT MID (18" UPPER)</b>																				
TPM1278X24*	2088	2296	2359	2549	2608	3149	2415	2459	2442	2500	2544	2568	2520	2595	2664	2710	2783	2939	3029	3492
TPM1284X24*	2251	2478	2542	2748	2809	3399	2605	2649	2632	2690	2741	2764	2715	2795	2865	2921	2993	3170	3260	3762
TPM1287X24*	2412	2658	2727	2948	3007	3648	2793	2837	2820	2878	2937	2961	2910	2997	3066	3131	3204	3400	3490	4033
TPM1290X24*	2412	2658	2727	2948	3007	3648	2793	2837	2820	2878	2937	2961	2910	2997	3066	3131	3204	3400	3490	4033
TPM1293X24*	2575	2839	2910	3146	3207	3897	2983	3027	3010	3068	3136	3160	3105	3197	3266	3341	3414	3631	3723	4304
TPM1296X24*	2575	2839	2910	3146	3207	3897	2983	3027	3010	3068	3136	3160	3105	3197	3266	3341	3414	3631	3723	4304
<b>TALL PULL-OUT TALL (24" UPPER)</b>																				
TPT1284X24*	2100	2312	2374	2612	2668	3251	2430	2480	2503	2556	2583	2634	2600	2676	2731	2795	2853	3032	3116	3592
TPT1287X24*	2262	2493	2558	2812	2866	3501	2620	2670	2693	2746	2780	2831	2793	2876	2931	3005	3063	3263	3346	3863
TPT1290X24*	2262	2493	2558	2812	2866	3501	2620	2670	2693	2746	2780	2831	2793	2876	2931	3005	3063	3263	3346	3863
TPT1293X24*	2424	2673	2742	3012	3066	3748	2809	2858	2882	2934	2976	3027	2990	3078	3133	3216	3273	3494	3577	4135
TPT1296X24*	2424	2673	2742	3012	3066	3748	2809	2858	2882	2934	2976	3027	2990	3078	3133	3216	3273	3494	3577	4135

# Tall Cabinets

\* L or R required

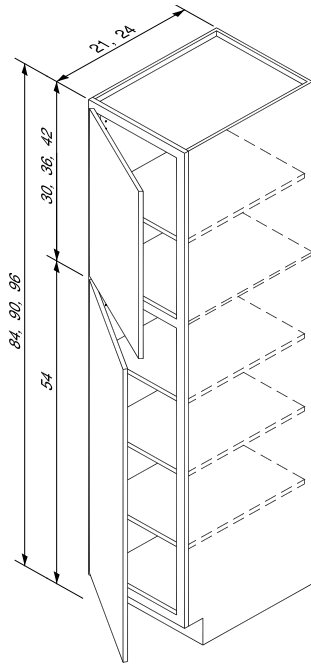
## PANTRY – 24" or 21" DEEP

Overall Cabinet Height	Qty of Adj. Shelves
66" – 81"	3
81-1/4" – 90"	4
90-1/4" – 96"	5

- Qty of adjustable shelves depends on height
- Apply **IRO** modification to add individual roll-outs
- Configuration for lower doors varies by door style (use General Section for lower door configuration)

### MODIFICATION LIMITS

Width 9" – 24"  
 Height 66" – 96"  
 Depth 13" – 30"



### P2DR

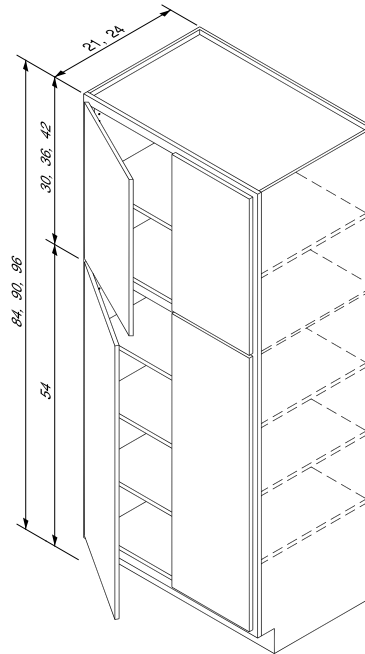
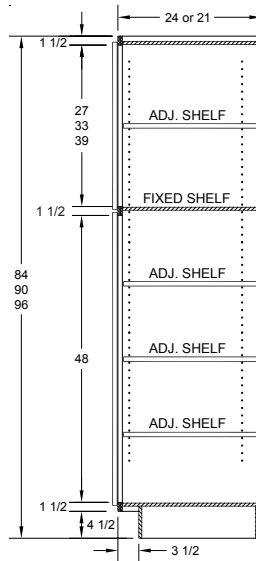
84" | 87" | 90" | 93" | 96" H

P15\_\_X21\*  
 P18\_\_X21\*  
 P21\_\_X21\*  
 P24\_\_X21\*

P15\_\_X24\*  
 P18\_\_X24\*  
 P21\_\_X24\*  
 P24\_\_X24\*

### MODIFICATION LIMITS

Width 18" – 42" (Inset: 21" min.)  
 Height 66" – 96"  
 Depth 13" – 30"



### P4DR

84" | 87" | 90" | 93" | 96" H

P24\_\_X21DD  
 P27\_\_X21  
 P30\_\_X21  
 P33\_\_X21  
 P36\_\_X21

P24\_\_X24DD  
 P27\_\_X24  
 P30\_\_X24  
 P33\_\_X24  
 P36\_\_X24



# Tall Cabinets

\* L or R required

	C0	C1	C2	C4	C4A	C5	C7	C7A	C9	C9A	C10	C10A	C11	C12	C12A	C13	C13A	C14	C15	C16
<b>PANTRY (2-DR) - 84" H x 24" or 21" D</b>																				
P1584X(D)*	926	1021	1135	1453	1523	2018	1160	1355	1387	1453	1442	1511	1589	1635	1842	1715	1932	1872	2191	2556
P1884X(D)*	985	1101	1233	1587	1664	2237	1274	1489	1515	1587	1550	1625	1760	1811	2042	1900	2142	2076	2429	2834
P2184X(D)*	1053	1189	1343	1732	1816	2468	1396	1632	1652	1732	1720	1803	1940	1996	2252	2093	2363	2288	2678	3126
P2484X(D)*	1111	1269	1442	1866	1972	2686	1509	1766	1779	1881	1881	2113	2112	2173	2452	2279	2573	2491	2917	3404
<b>PANTRY (4-DR) - 84" H x 24" or 21" D</b>																				
P2484X(D) DD	1146	1342	1548	2049	2363	2915	1665	1916	1954	2252	2030	2340	2290	2357	2675	2473	2805	2703	3166	3696
P2784X(D)	1206	1421	1649	2183	2515	3136	1728	2050	2081	2398	2159	2454	2461	2534	2876	2658	3017	2907	3404	3974
P3084X(D)	1274	1509	1757	2327	2678	3365	1850	2193	2218	2552	2329	2644	2641	2719	3085	2853	3238	3119	3653	4265
P3384X(D)	1336	1589	1857	2461	2832	3584	1966	2327	2346	2700	2490	2826	2812	2895	3287	3038	3448	3322	3892	4545
P3684X(D)	1399	1677	1966	2603	2993	3813	2088	2469	2481	2853	2659	3015	2992	3080	3495	3231	3668	3534	4142	4837
<b>PANTRY (2-DR) - 87" or 90" H x 24" or 21" D</b>																				
P15(H)X(D)*	974	1074	1192	1531	1606	2130	1221	1426	1460	1531	1516	1589	1676	1725	1944	1808	2039	1976	2312	2697
P18(H)X(D)*	1038	1160	1301	1676	1757	2366	1343	1572	1598	1676	1660	1742	1861	1915	2161	2008	2266	2195	2568	2995
P21(H)X(D)*	1111	1255	1418	1830	1920	2615	1476	1727	1745	1830	1823	2049	2056	2115	2388	2218	2505	2425	2839	3314
P24(H)X(D)*	1175	1342	1525	1974	2095	2851	1599	1871	1883	1998	1998	2246	2239	2305	2605	2418	2732	2644	3095	3612
<b>PANTRY (4-DR) - 87" or 90" H x 24" or 21" D</b>																				
P24(H)X(D) DD	1209	1414	1632	2152	2490	3082	1754	2022	2052	2373	2132	2466	2420	2491	2827	2614	2966	2858	3346	3906
P27(H)X(D)	1274	1501	1740	2298	2654	3319	1827	2166	2191	2530	2288	2600	2605	2681	3044	2814	3194	3077	3604	4208
P30(H)X(D)	1347	1596	1857	2454	2829	3567	1957	2320	2339	2697	2471	2805	2798	2882	3272	3024	3433	3307	3874	4523
P33(H)X(D)	1411	1682	1966	2598	2995	3802	2081	2466	2476	2854	2646	3002	2983	3071	3489	3222	3660	3524	4130	4823
P36(H)X(D)	1484	1777	2083	2758	3172	4052	2213	2619	2629	3022	2829	3205	3178	3272	3714	3433	3897	3755	4399	5139
<b>PANTRY (2-DR) - 93" or 96" H x 24" or 21" D</b>																				
P15(H)X(D)*	1053	1157	1289	1638	1718	2283	1313	1530	1562	1638	1623	1701	1794	1847	2078	1937	2179	2117	2476	2888
P18(H)X(D)*	1123	1250	1418	1794	1881	2537	1445	1686	1711	1794	1777	1864	1994	2052	2312	2152	2425	2352	2754	3214
P21(H)X(D)*	1202	1355	1559	1962	2057	2805	1589	1852	1871	1962	1961	2198	2203	2268	2556	2378	2681	2600	3044	3553
P24(H)X(D)*	1272	1448	1681	2118	2407	3060	1721	2008	2020	2295	2149	2410	2402	2473	2788	2593	2926	2836	3322	3879
<b>PANTRY (4-DR) - 93" or 96" H x 24" or 21" D</b>																				
P24(H)X(D) DD	1306	1521	1782	2301	2647	3289	1877	2159	2195	2524	2281	2622	2581	2658	3012	2788	3160	3049	3572	4170
P27(H)X(D)	1379	1616	1925	2463	2829	3548	1962	2318	2347	2697	2454	2781	2785	2866	3250	3007	3409	3289	3853	4499
P30(H)X(D)	1462	1723	2067	2634	3021	3819	2108	2488	2510	2880	2656	3007	2997	3085	3497	3238	3670	3541	4148	4845
P33(H)X(D)	1533	1818	2198	2790	3202	4074	2240	2646	2659	3051	2844	3217	3195	3290	3730	3453	3914	3777	4425	5169
P36(H)X(D)	1613	1922	2339	2958	3390	4342	2385	2812	2819	3231	3041	3439	3406	3506	3974	3679	4170	4025	4717	5510

"(H) & (D)" Specify overall height & depth

# Tall Cabinets

\* L or R required

## PANTRY – 12" DEEP

Overall Cabinet Height	Qty of Adj. Shelves
66" – 81"	3
81-1/4" – 90"	4
90-1/4" – 96"	5

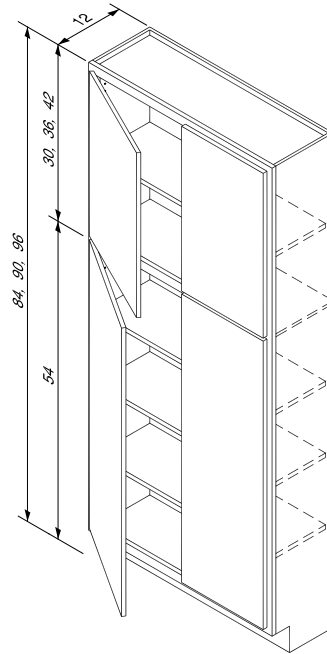
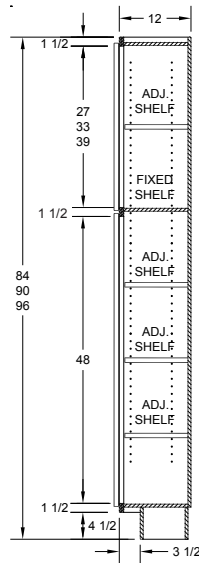
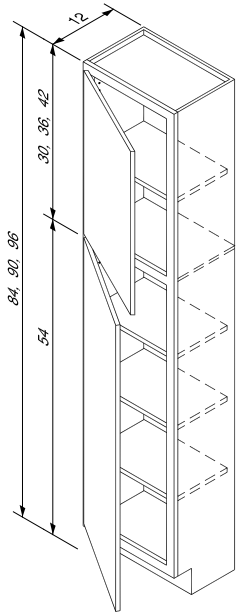
- Qty of adjustable shelves depends on cabinet height
- Apply **IRO** modification to add individual roll-outs
- Configuration for lower doors varies by door style (use General Section for lower door configuration)

### MODIFICATION LIMITS

Width 9" – 24"  
 Height 66" – 96"  
 Depth 9" – 12"

### MODIFICATION LIMITS

Width 18" – 42" (Inset: 21" min.)  
 Height 66" – 96"  
 Depth 9" – 12"



**P2DR**  
 84" | 87" | 90" | 93" | 96" H  
 P15\_\_X12\*  
 P18\_\_X12\*  
 P21\_\_X12\*  
 P24\_\_X12\*

**P4DR**  
 84" | 87" | 90" | 93" | 96" H  
 P24\_\_X12DD  
 P27\_\_X12  
 P30\_\_X12  
 P33\_\_X12  
 P36\_\_X12

# Tall Cabinets

\* L or R required

	C0	C1	C2	C4	C4A	C5	C7	C7A	C9	C9A	C10	C10A	C11	C12	C12A	C13	C13A	C14	C15	C16
<b>PANTRY (2-DR) - 84" H x 12" D</b>																				
P1584X12*	722	828	943	1243	1425	1766	979	1152	1186	1358	1231	1411	1391	1431	1620	1501	1698	1638	1916	2234
P1884X12*	758	884	1019	1352	1550	1955	1070	1262	1289	1479	1340	1515	1540	1584	1794	1660	1881	1815	2122	2474
P2184X12*	794	941	1096	1462	1677	2144	1162	1372	1394	1599	1479	1672	1686	1735	1969	1820	2066	1988	2325	2712
P2484X12*	828	997	1174	1570	1803	2332	1253	1481	1498	1720	1616	1830	1833	1888	2144	1979	2249	2164	2532	2954
<b>PANTRY (4-DR) - 84" H x 12" D</b>																				
P2484X12 DD	862	1070	1280	1754	2042	2563	1409	1632	1672	1947	1732	1988	2013	2073	2368	2174	2483	2376	2781	3246
P2784X12	897	1126	1357	1862	2169	2751	1450	1742	1776	2067	1871	2145	2162	2225	2542	2334	2668	2551	2988	3489
P3084X12	933	1184	1433	1972	2295	2941	1542	1852	1881	2188	2010	2303	2310	2378	2717	2495	2851	2727	3194	3728
P3384X12	967	1240	1511	2081	2422	3131	1633	1962	1984	2308	2149	2461	2458	2530	2892	2654	3034	2902	3400	3970
P3684X12	1002	1296	1587	2190	2547	3321	1727	2073	2088	2429	2288	2617	2607	2683	3066	2815	3217	3078	3606	4209
<b>PANTRY (2-DR) - 87" or 90" H x 12" D</b>																				
P15(H)X12*	753	863	985	1301	1492	1857	1024	1206	1241	1423	1289	1477	1462	1504	1703	1577	1786	1723	2015	2349
P18(H)X12*	792	924	1068	1418	1626	2061	1123	1325	1353	1552	1411	1598	1621	1669	1893	1750	1984	1911	2237	2608
P21(H)X12*	829	987	1092	1537	1764	2266	1223	1443	1465	1682	1562	1767	1781	1833	2081	1923	2183	2101	2459	2870
P24(H)X12*	867	1048	1170	1654	1900	2469	1321	1562	1577	1811	1711	1937	1942	1998	2269	2095	2379	2290	2681	3129
<b>PANTRY (4-DR) - 87" or 90" H x 12" D</b>																				
P24(H)X12 DD	867	1048	1235	1659	1962	2488	1321	1562	1582	1871	1657	1937	1955	2013	2324	2112	2437	2308	2702	3153
P27(H)X12	940	1182	1423	1957	2278	2904	1525	1832	1866	2171	1976	2264	2281	2347	2681	2463	2814	2692	3153	3680
P30(H)X12	977	1243	1508	2074	2412	3107	1625	1950	1978	2300	2127	2435	2441	2512	2870	2636	3010	2882	3375	3940
P33(H)X12	1016	1304	1591	2191	2549	3312	1723	2069	2089	2430	2276	2605	2600	2676	3060	2807	3211	3070	3597	4201
P36(H)X12	1053	1365	1674	2308	2686	3516	1823	2188	2201	2561	2425	2775	2759	2841	3248	2980	3407	3260	3819	4460
<b>PANTRY (2-DR) - 93" or 96" H x 12" D</b>																				
P15(H)X12*	807	924	1072	1386	1582	1976	1094	1284	1321	1509	1372	1567	1555	1601	1811	1679	1900	1833	2145	2502
P18(H)X12*	846	989	1162	1509	1727	2191	1199	1411	1440	1647	1496	1711	1723	1774	2011	1861	2110	2034	2378	2773
P21(H)X12*	885	1052	1226	1635	1872	2410	1304	1537	1559	1786	1665	1883	1894	1950	2212	2045	2320	2235	2617	3053
P24(H)X12*	929	1114	1342	1759	2018	2627	1409	1662	1677	1925	1825	2064	2064	2125	2412	2229	2530	2437	2853	3329
<b>PANTRY (4-DR) - 93" or 96" H x 12" D</b>																				
P24(H)X12 DD	960	1189	1442	1942	2256	2858	1564	1811	1852	2151	1940	2220	2244	2310	2636	2424	2764	2649	3102	3621
P27(H)X12	1001	1255	1589	2069	2403	3077	1620	1940	1972	2291	2101	2403	2415	2486	2839	2608	2978	2853	3339	3899
P30(H)X12	1041	1321	1693	2195	2549	3295	1725	2067	2093	2430	2261	2585	2586	2663	3041	2793	3190	3054	3579	4179
P33(H)X12	1080	1384	1794	2320	2693	3512	1830	2193	2212	2568	2420	2766	2756	2837	3243	2976	3402	3256	3814	4454
P36(H)X12	1119	1448	1898	2444	2837	3730	1935	2318	2330	2705	2580	2946	2926	3012	3443	3160	3612	3456	4050	4730

"(H)" Specify overall height

# Tall Cabinets

\* L or R required

## PANTRY REVERSE FULL BASE – 24" or 21" DEEP

Overall Cabinet Height	Qty of Adj. Shelves
40" – 60"	1
60-1/4" – 69"	2
69-1/4" – 78"	3
78-1/4" – 90"	4
90-1/4" – 96"	5

- Lower section has same size door as Full Base (FB), Mid (MFB and FVM) or Vanity (FV)
- Qty of adjustable shelves depends on cabinet height
- Apply IRO modification to add individual roll-outs
- Configuration for upper doors varies by door style (use General Section for upper door configuration)

### MODIFICATION LIMITS

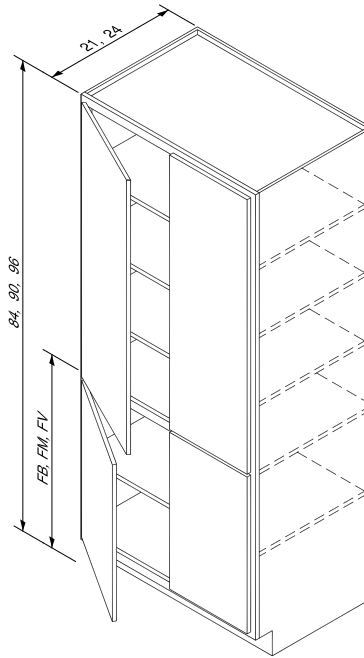
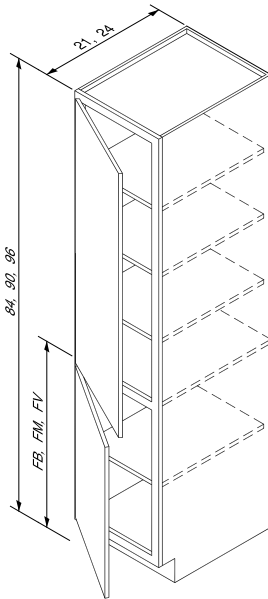
Width 9" – 24"  
 Height \*\* – 96"  
 Depth 13" – 30"

\*\* Min. Ht.  
 PRFB = 45"  
 PRFM = 42"  
 PRFV = 40"

### MODIFICATION LIMITS

Width 18" – 42" (Inset: 21" min.)  
 Height \*\* – 96"  
 Depth 13" – 30"

\*\* Min. Ht.  
 PRFB = 45"  
 PRFM = 42"  
 PRFV = 40"



### PRF\_2DR

84" | 87" | 90" | 93" | 96" H

PRF\_15\_X21\*  
 PRF\_18\_X21\*  
 PRF\_21\_X21\*  
 PRF\_24\_X21\*

PRF\_15\_X24\*  
 PRF\_18\_X24\*  
 PRF\_21\_X24\*  
 PRF\_24\_X24\*

Insert "B" (Base), "M" (Mid) or "V" (Vanity) after "PRF" to designate lower section height

### PRF\_4DR

84" | 87" | 90" | 93" | 96" H

PRF\_24\_X21DD  
 PRF\_27\_X21  
 PRF\_30\_X21  
 PRF\_33\_X21  
 PRF\_36\_X21

PRF\_24\_X24DD  
 PRF\_27\_X24  
 PRF\_30\_X24  
 PRF\_33\_X24  
 PRF\_36\_X24

### HOW TO ORDER

Configuration	Lwr Section	W	H	D	* Swing
PRF	B	21	90	x 21	L

# Tall Cabinets

\* L or R required

	C0	C1	C2	C4	C4A	C5	C7	C7A	C9	C9A	C10	C10A	C11	C12	C12A	C13	C13A	C14	C15	C16
<b>PANTRY REVERSE FULL (2-DR) - 84" H x 24" or 21" D</b>																				
PRF_1584X(D)*	926	1021	1135	1453	1523	2018	1160	1355	1387	1453	1442	1560	1589	1635	1842	1715	1932	1872	2191	2556
PRF_1884X(D)*	985	1101	1233	1587	1664	2237	1274	1489	1515	1587	1574	1742	1760	1811	2042	1900	2142	2076	2429	2834
PRF_2184X(D)*	1053	1189	1343	1732	1816	2468	1396	1632	1652	1732	1720	1932	1940	1996	2252	2093	2363	2288	2678	3126
PRF_2484X(D)*	1111	1269	1442	1866	1972	2686	1509	1766	1779	1881	1881	2113	2112	2173	2452	2279	2573	2491	2917	3404
<b>PANTRY REVERSE FULL (4-DR) - 84" H x 24" or 21" D</b>																				
PRF_2484X(D) DD	1146	1342	1548	2049	2363	2915	1665	1916	1954	2252	1996	2271	2290	2357	2675	2473	2805	2703	3166	3696
PRF_2784X(D)	1206	1421	1649	2183	2515	3136	1728	2050	2081	2398	2159	2454	2461	2534	2876	2658	3017	2907	3404	3974
PRF_3084X(D)	1274	1509	1757	2327	2678	3365	1850	2193	2218	2552	2329	2644	2641	2719	3085	2853	3238	3119	3653	4265
PRF_3384X(D)	1336	1589	1857	2461	2832	3584	1966	2327	2346	2700	2490	2826	2812	2895	3287	3038	3448	3322	3892	4545
PRF_3684X(D)	1399	1677	1966	2603	2993	3813	2088	2469	2481	2853	2659	3015	2992	3080	3495	3231	3668	3534	4142	4837
<b>PANTRY REVERSE FULL (2-DR) - 87" or 90" H x 24" or 21" D</b>																				
PRF_15(H)X(D)*	974	1074	1192	1531	1606	2130	1221	1426	1460	1531	1516	1647	1676	1725	1944	1808	2039	1976	2312	2697
PRF_18(H)X(D)*	1038	1160	1301	1676	1757	2366	1343	1572	1598	1676	1660	1844	1861	1915	2161	2008	2266	2195	2568	2995
PRF_21(H)X(D)*	1111	1255	1418	1830	1920	2615	1476	1727	1745	1830	1823	2049	2056	2115	2388	2218	2505	2425	2839	3314
PRF_24(H)X(D)*	1175	1342	1525	1974	2095	2851	1599	1871	1883	1998	1998	2246	2239	2305	2605	2418	2732	2644	3095	3612
<b>PANTRY REVERSE FULL (4-DR) - 87" or 90" H x 24" or 21" D</b>																				
PRF_24(H)X(D) DD	1209	1414	1632	2157	2490	3082	1754	2022	2057	2373	2113	2403	2420	2491	2827	2614	2966	2858	3346	3906
PRF_27(H)X(D)	1274	1501	1740	2303	2654	3319	1827	2166	2196	2530	2288	2600	2605	2681	3044	2814	3194	3077	3604	4208
PRF_30(H)X(D)	1347	1596	1857	2459	2829	3567	1957	2320	2344	2697	2471	2805	2798	2882	3272	3024	3433	3307	3874	4523
PRF_33(H)X(D)	1411	1682	1966	2603	2995	3802	2081	2466	2481	2854	2646	3002	2983	3071	3489	3222	3660	3524	4130	4823
PRF_36(H)X(D)	1484	1777	2083	2763	3172	4052	2213	2619	2634	3022	2829	3205	3178	3272	3714	3433	3897	3755	4399	5139
<b>PANTRY REVERSE FULL (2-DR) - 93" or 96" H x 24" or 21" D</b>																				
PRF_15(H)X(D)*	1053	1157	1289	1638	1718	2283	1313	1530	1562	1638	1623	1766	1794	1847	2078	1937	2179	2117	2476	2888
PRF_18(H)X(D)*	1123	1250	1418	1794	1883	2537	1445	1686	1711	1794	1777	1978	1994	2052	2312	2152	2425	2352	2754	3214
PRF_21(H)X(D)*	1202	1355	1559	1962	2057	2805	1589	1852	1871	1962	1961	2198	2203	2268	2556	2378	2681	2600	3044	3553
PRF_24(H)X(D)*	1272	1448	1681	2118	2407	3060	1721	2008	2020	2295	2149	2410	2402	2473	2788	2593	2926	2836	3322	3879
<b>PANTRY REVERSE FULL (4-DR) - 93" or 96" H x 24" or 21" D</b>																				
PRF_24(H)X(D) DD	1306	1521	1782	2301	2647	3289	1883	2159	2195	2524	2264	2568	2581	2658	3012	2788	3160	3049	3572	4170
PRF_27(H)X(D)	1379	1616	1925	2463	2829	3548	1962	2318	2347	2697	2454	2781	2785	2866	3250	3007	3409	3289	3853	4499
PRF_30(H)X(D)	1462	1723	2067	2634	3021	3819	2108	2488	2510	2880	2656	3007	2997	3085	3497	3238	3670	3541	4148	4845
PRF_33(H)X(D)	1533	1818	2198	2790	3202	4074	2240	2646	2659	3051	2844	3217	3195	3290	3730	3453	3914	3777	4425	5169
PRF_36(H)X(D)	1613	1922	2339	2958	3390	4342	2385	2812	2819	3231	3041	3439	3406	3506	3974	3679	4170	4025	4717	5510

"(H) & (D)" Specify overall height & depth | Insert "B" (Base), "M" (Mid) or "V" (Vanity) after "PRF" to designate lower section height

# Tall Cabinets

\* L or R required

## PANTRY REVERSE FULL BASE – 12" DEEP

Overall Cabinet Height	Qty of Adj. Shelves
40" – 60"	1
60-1/4" – 69"	2
69-1/4" – 78"	3
78-1/4" – 90"	4
90-1/4" – 96"	5

- Lower section has same size door as Full Base (FB), Mid (MFB and FVM) or Vanity (FV)
- Qty of adjustable shelves depends on cabinet height
- Apply IRO modification to add individual roll-outs
- Configuration for upper doors varies by door style (use General Section for upper door configuration)

### MODIFICATION LIMITS

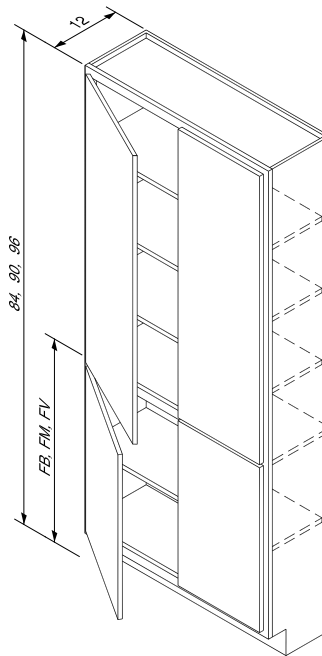
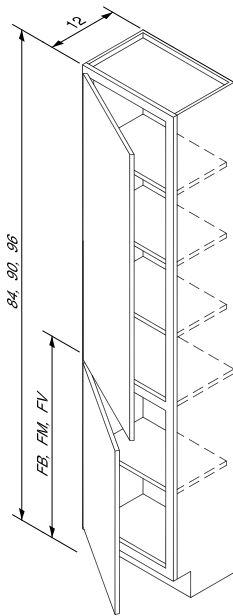
Width 9" – 24"  
 Height \*\* – 96"  
 Depth 9" – 12"

\*\* Min. Ht.  
 PRFB = 45"  
 PRFM = 42"  
 PRFV = 40"

### MODIFICATION LIMITS

Width 18" – 42" (Inset: 21" min.)  
 Height \*\* – 96"  
 Depth 9" – 12"

\*\* Min. Ht.  
 PRFB = 45"  
 PRFM = 42"  
 PRFV = 40"



### PRF\_2DR

84" | 87" | 90" | 93" | 96" H  
 PRF\_15\_X12\*  
 PRF\_18\_X12\*  
 PRF\_21\_X12\*  
 PRF\_24\_X12\*

### PRF\_4DR

84" | 87" | 90" | 93" | 96" H  
 PRF\_24\_X12DD  
 PRF\_27\_X12  
 PRF\_30\_X12  
 PRF\_33\_X12  
 PRF\_36\_X12

Insert "B" (Base), "M" (Mid) or "V" (Vanity)  
 after "PRF" to designate lower section height

### HOW TO ORDER

Configuration	Lwr Section	W	H	D	* Swing
PRF	B	21	90	x 12	L

# Tall Cabinets

\* L or R required

	C0	C1	C2	C4	C4A	C5	C7	C7A	C9	C9A	C10	C10A	C11	C12	C12A	C13	C13A	C14	C15	C16
<b>PANTRY REVERSE FULL (2-DR) - 84" H x 12" D</b>																				
PRF_1584X12*	722	828	943	1243	1303	1766	979	1152	1186	1358	1231	1357	1391	1431	1620	1501	1698	1638	1916	2234
PRF_1884X12*	758	884	1019	1352	1550	1955	1070	1262	1289	1479	1340	1515	1540	1584	1794	1660	1881	1815	2122	2474
PRF_2184X12*	794	941	1096	1462	1677	2144	1162	1372	1394	1599	1479	1672	1686	1735	1969	1820	2066	1988	2325	2712
PRF_2484X12*	828	997	1174	1570	1803	2332	1253	1481	1498	1720	1616	1830	1833	1888	2144	1979	2249	2164	2532	2954
<b>PANTRY REVERSE FULL (4-DR) - 84" H x 12" D</b>																				
PRF_2484X12 DD	862	1070	1280	1754	2042	2563	1409	1632	1672	1947	1732	1988	2013	2073	2368	2174	2483	2376	2781	3246
PRF_2784X12	897	1126	1357	1862	2169	2751	1450	1742	1776	2067	1871	2145	2162	2225	2542	2334	2668	2551	2988	3489
PRF_3084X12	933	1184	1433	1972	2295	2941	1542	1852	1881	2188	2010	2303	2310	2378	2717	2495	2851	2727	3194	3728
PRF_3384X12	967	1240	1511	2081	2422	3131	1633	1962	1984	2308	2149	2461	2458	2530	2892	2654	3034	2902	3400	3970
PRF_3684X12	1002	1296	1587	2190	2547	3321	1727	2073	2088	2429	2288	2617	2607	2683	3066	2815	3217	3078	3606	4209
<b>PANTRY REVERSE FULL (2-DR) - 87" or 90" H x 12" D</b>																				
PRF_15(H)X12*	753	863	985	1301	1492	1857	1024	1206	1241	1423	1289	1426	1462	1504	1703	1577	1786	1723	2015	2349
PRF_18(H)X12*	792	924	1068	1418	1626	2061	1123	1325	1353	1552	1411	1598	1621	1669	1893	1750	1984	1911	2237	2608
PRF_21(H)X12*	829	987	1092	1537	1764	2266	1223	1443	1465	1682	1562	1767	1781	1833	2081	1923	2183	2101	2459	2870
PRF_24(H)X12*	867	1048	1170	1654	1900	2469	1321	1562	1577	1811	1711	1937	1942	1998	2269	2095	2379	2290	2681	3129
<b>PANTRY REVERSE FULL (4-DR) - 87" or 90" H x 12" D</b>																				
PRF_24(H)X12 DD	867	1048	1235	1659	1962	2488	1321	1562	1582	1871	1657	1937	1955	2013	2324	2112	2437	2308	2702	3153
PRF_27(H)X12	940	1182	1423	1957	2278	2904	1525	1832	1866	2171	1976	2264	2281	2347	2681	2463	2814	2692	3153	3680
PRF_30(H)X12	977	1243	1508	2074	2412	3107	1625	1950	1978	2300	2127	2435	2441	2512	2870	2636	3010	2882	3375	3940
PRF_33(H)X12	1016	1304	1591	2191	2549	3312	1723	2069	2089	2430	2276	2605	2600	2676	3060	2807	3211	3070	3597	4201
PRF_36(H)X12	1053	1365	1674	2308	2686	3516	1823	2188	2201	2561	2425	2775	2759	2841	3248	2980	3407	3260	3819	4460
<b>PANTRY REVERSE FULL (2-DR) - 93" or 96" H x 12" D</b>																				
PRF_15(H)X12*	807	924	1072	1386	1582	1976	1094	1284	1321	1509	1372	1521	1555	1601	1811	1679	1900	1833	2145	2502
PRF_18(H)X12*	846	989	1162	1509	1727	2191	1199	1411	1440	1647	1506	1701	1723	1774	2011	1861	2110	2034	2378	2773
PRF_21(H)X12*	885	1052	1226	1635	1872	2410	1304	1537	1559	1786	1665	1883	1894	1950	2212	2045	2320	2235	2617	3053
PRF_24(H)X12*	929	1114	1342	1759	2018	2627	1409	1662	1677	1925	1825	2064	2064	2125	2412	2229	2530	2437	2853	3329
<b>PANTRY REVERSE FULL (4-DR) - 93" or 96" H x 12" D</b>																				
PRF_24(H)X12 DD	960	1189	1442	1942	2256	2858	1564	1811	1852	2151	1940	2220	2244	2310	2636	2424	2764	2649	3102	3621
PRF_27(H)X12	1001	1255	1589	2069	2403	3077	1620	1940	1972	2291	2101	2403	2415	2486	2839	2608	2978	2853	3339	3899
PRF_30(H)X12	1041	1321	1693	2195	2549	3295	1725	2067	2093	2430	2261	2585	2586	2663	3041	2793	3190	3054	3579	4179
PRF_33(H)X12	1080	1384	1794	2320	2693	3512	1830	2193	2212	2568	2420	2766	2756	2837	3243	2976	3402	3256	3814	4454
PRF_36(H)X12	1119	1448	1898	2444	2837	3730	1935	2318	2330	2705	2580	2946	2926	3012	3443	3160	3612	3456	4050	4730

"(H)" Specify overall height | Insert "B" (Base), "M" (Mid) or "V" (Vanity) after "PRF" to designate lower section height

# Tall Cabinets

\* L or R required

## PANTRY REVERSE BASE, MID, VANITY

Overall Cabinet Height	Qty of Adj. Shelves
40" – 60"	1
60-1/4" – 69"	2
69-1/4" – 78"	3
78-1/4" – 90"	4
90-1/4" – 96"	5

- Lower section has same size door as Base (B), Mid (MB and VM) or Vanity (V)
- Qty of adjustable shelves depends on cabinet height
- Apply **IRO** modification to add individual roll-outs
- Apply **2DF1** modification for two horizontal drawers
- Configuration for upper doors varies by door style (use General Section for upper door configuration)

### MODIFICATION LIMITS

Width 12" – 24"  
 Height \*\* – 96"  
 Depth 12" – 30"

\*\* Min. Ht.

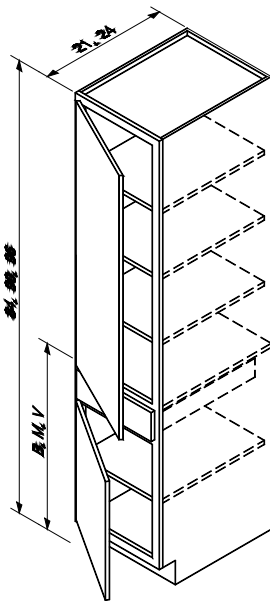
PRB = 45"  
 PRM = 42"  
 PRV = 40"

### MODIFICATION LIMITS

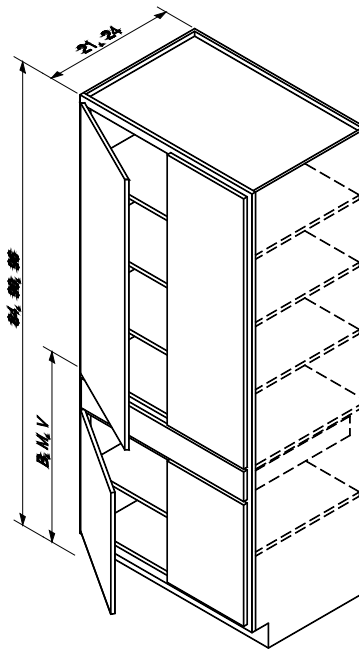
Width 18" – 36" (Inset: 21" min.)  
 Height \*\* – 96"  
 Depth 12" – 30"

\*\* Min. Ht.

PRB = 45"  
 PRM = 42"  
 PRV = 40"



**Depth note:** Drawer and guides do not change when cabinet depth is increased



### PR\_2

84" | 87" | 90" | 93" | 96" H

PR\_15\_X21\*  
 PR\_18\_X21\*  
 PR\_21\_X21\*  
 PR\_24\_X21\*

PR\_15\_X24\*  
 PR\_18\_X24\*  
 PR\_21\_X24\*  
 PR\_24\_X24\*

### PR\_4

84" | 87" | 90" | 93" | 96" H

PR\_24\_X21DD  
 PR\_27\_X21  
 PR\_30\_X21  
 PR\_33\_X21  
 PR\_36\_X21

PR\_24\_X24DD  
 PR\_27\_X24  
 PR\_30\_X24  
 PR\_33\_X24  
 PR\_36\_X24

Insert "B" (Base), "M" (Mid) or "V" (Vanity) after "PR" to designate lower section height

### HOW TO ORDER

Configuration	Lwr Section	W	H	D	* Swing
PR	B	21	90	x 21	L



# Tall Cabinets

\* L or R required

	C0	C1	C2	C4	C4A	C5	C7	C7A	C9	C9A	C10	C10A	C11	C12	C12A	C13	C13A	C14	C15	C16
<b>PANTRY REVERSE (2-DR) - 84" H x 24" or 21" D</b>																				
PR_1584X(D)*	997	1107	1211	1555	1630	2135	1243	1438	1484	1555	1542	1655	1679	1728	1935	1813	2030	1981	2317	2702
PR_1884X(D)*	1063	1192	1323	1699	1782	2363	1365	1581	1621	1699	1684	1842	1857	1911	2142	2005	2247	2191	2564	2992
PR_2184X(D)*	1138	1287	1448	1852	1942	2591	1494	1730	1766	1852	1835	2039	2037	2096	2352	2198	2468	2403	2814	3283
PR_2484X(D)*	1204	1374	1552	1993	2100	2820	1615	1871	1900	2001	1994	2227	2217	2281	2561	2393	2686	2615	3063	3575
<b>PANTRY REVERSE (4-DR) - 84" H x 24" or 21" D</b>																				
PR_2484X(D) DD	1238	1445	1655	2173	2485	3049	1769	2020	2071	2369	2108	2383	2395	2464	2781	2585	2919	2827	3311	3865
PR_2784X(D)	1304	1530	1762	2315	2647	3236	1838	2161	2206	2524	2278	2573	2541	2615	2958	2744	3104	3000	3514	4103
PR_3084X(D)	1379	1625	1876	2466	2817	3511	1967	2310	2351	2685	2454	2770	2754	2836	3202	2975	3360	3253	3811	4450
PR_3384X(D)	1450	1711	1981	2608	2980	3733	2089	2451	2486	2841	2620	2956	2929	3015	3407	3163	3575	3460	4053	4734
PR_3684X(D)	1518	1805	2096	2759	3149	3972	2220	2602	2630	3002	2798	3155	3116	3207	3623	3365	3801	3680	4313	5037
<b>PANTRY REVERSE (2-DR) - 87" or 90" H x 24" or 21" D</b>																				
PR_15(H)X(D)*	1045	1160	1269	1632	1711	2246	1304	1509	1557	1632	1618	1742	1767	1818	2037	1906	2137	2083	2437	2842
PR_18(H)X(D)*	1116	1252	1391	1788	1874	2490	1435	1664	1704	1788	1771	1944	1957	2015	2261	2113	2371	2310	2703	3155
PR_21(H)X(D)*	1196	1353	1523	1949	2044	2739	1574	1825	1859	1949	1932	2156	2152	2215	2488	2324	2610	2541	2975	3472
PR_24(H)X(D)*	1269	1447	1635	2101	2222	2985	1704	1976	2003	2118	2112	2359	2344	2413	2714	2532	2848	2768	3241	3784
<b>PANTRY REVERSE (4-DR) - 87" or 90" H x 24" or 21" D</b>																				
PR_24(H)X(D) DD	1301	1518	1738	2281	2612	3216	1857	2125	2174	2490	2225	2515	2524	2598	2934	2725	3078	2980	3490	4075
PR_27(H)X(D)	1372	1610	1854	2435	2787	3419	1937	2276	2322	2656	2407	2719	2683	2763	3126	2898	3280	3170	3714	4337
PR_30(H)X(D)	1452	1711	1976	2597	2968	3713	2074	2437	2476	2829	2597	2931	2912	2999	3389	3146	3555	3441	4031	4708
PR_33(H)X(D)	1525	1805	2089	2751	3143	3952	2205	2590	2622	2995	2776	3133	3100	3192	3609	3350	3787	3663	4291	5012
PR_36(H)X(D)	1603	1905	2213	2919	3328	4209	2346	2751	2783	3172	2968	3345	3300	3399	3841	3567	4031	3901	4571	5339
<b>PANTRY REVERSE (2-DR) - 93" or 96" H x 24" or 21" D</b>																				
PR_15(H)X(D)*	1124	1243	1365	1738	1823	2398	1396	1613	1659	1740	1723	1861	1886	1940	2171	2035	2278	2223	2602	3036
PR_18(H)X(D)*	1201	1342	1508	1906	2000	2661	1537	1777	1818	1906	1889	2078	2091	2152	2412	2257	2530	2468	2890	3373
PR_21(H)X(D)*	1287	1453	1664	2081	2183	2929	1688	1950	1984	2081	2067	2305	2300	2368	2656	2483	2787	2715	3180	3713
PR_24(H)X(D)*	1365	1554	1791	2246	2534	3194	1827	2113	2140	2415	2262	2524	2508	2581	2897	2709	3039	2961	3468	4050
<b>PANTRY REVERSE (4-DR) - 93" or 96" H x 24" or 21" D</b>																				
PR_24(H)X(D) DD	1398	1625	1889	2425	2770	3421	1986	2262	2312	2641	2376	2680	2685	2764	3119	2900	3273	3172	3716	4340
PR_27(H)X(D)	1477	1725	2039	2593	2961	3650	2073	2429	2473	2822	2573	2900	2863	2948	3331	3092	3495	3382	3964	4628
PR_30(H)X(D)	1567	1838	2186	2771	3160	3965	2225	2605	2642	3012	2781	3133	3110	3202	3614	3360	3792	3675	4306	5030
PR_33(H)X(D)	1647	1940	2322	2937	3350	4225	2364	2770	2800	3192	2975	3348	3312	3411	3850	3579	4040	3914	4586	5358
PR_36(H)X(D)	1732	2049	2469	3114	3546	4499	2517	2944	2968	3380	3180	3579	3528	3633	4101	3813	4303	4170	4888	5710

"(H) & (D)" Specify overall height & depth | Insert "B" (Base), "M" (Mid) or "V" (Vanity) after "PRF" to designate lower section height

# Tall Cabinets

\* L or R required

## PANTRY REVERSE BASE, MID, VANITY 3-DRAWER

Overall Cabinet Height	Qty of Adj. Shelves
40" – 60"	0
60-1/4" – 69"	1
69-1/4" – 78"	2
78-1/4" – 90"	3
90-1/4" – 96"	4

- Lower section has same size drawers as Base (B3D), Mid (MB3D and VM3D) or Vanity (V3D) 3-Drawer
- Qty of adjustable shelves depends on cabinet height
- Apply **IRO** modification to add individual roll-outs
- Apply **2DF1** modification for two horizontal drawers
- Configuration for upper doors varies by door style (use General Section for upper door configuration)

### MODIFICATION LIMITS

Width 12" – 24"  
 Height \*\* – 96"  
 Depth 12" – 30"

\*\* Min. Ht.

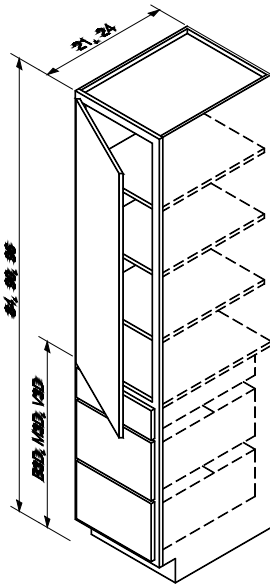
PRB = 45"  
 PRM = 42"  
 PRV = 40"

### MODIFICATION LIMITS

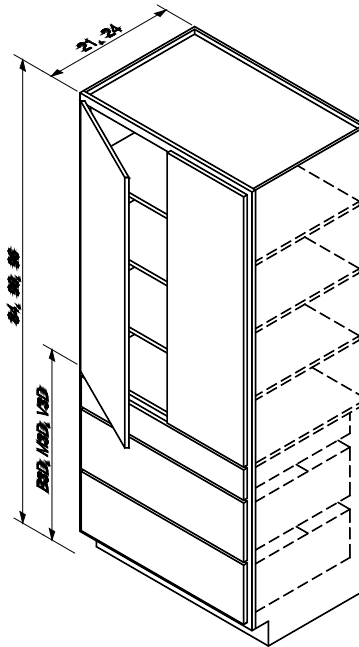
Width 18" – 36" (Inset: 21" min.)  
 Height \*\* – 96"  
 Depth 12" – 30"

\*\* Min. Ht.

PRB = 45"  
 PRM = 42"  
 PRV = 40"



**Depth note:** Drawer and guides do not change when cabinet depth is increased



### PR\_1DR3DWR

84" | 87" | 90" | 93" | 96" H

PR\_3D15\_\_X21\*  
 PR\_3D18\_\_X21\*  
 PR\_3D21\_\_X21\*  
 PR\_3D24\_\_X21\*

PR\_3D15\_\_X24\*  
 PR\_3D18\_\_X24\*  
 PR\_3D21\_\_X24\*  
 PR\_3D24\_\_X24\*

### PR\_2DR3DWR

84" | 87" | 90" | 93" | 96" H

PR\_3D24\_\_X21DD  
 PR\_3D27\_\_X21  
 PR\_3D30\_\_X21  
 PR\_3D33\_\_X21  
 PR\_3D36\_\_X21

PR\_3D24\_\_X24DD  
 PR\_3D27\_\_X24  
 PR\_3D30\_\_X24  
 PR\_3D33\_\_X24  
 PR\_3D36\_\_X24

Insert "B" (Base), "M" (Mid) or "V" (Vanity) after "PRF" to designate lower section height

### HOW TO ORDER

Configuration	Lwr Section	W	H	D	* Swing
PR	B3D	21	90	x 21	L

# Tall Cabinets

\* L or R required

	C0	C1	C2	C4	C4A	C5	C7	C7A	C9	C9A	C10	C10A	C11	C12	C12A	C13	C13A	C14	C15	C16
<b>PANTRY REVERSE (1-DR/3-DWR) - 84" H x 24" or 21" D</b>																				
PR_3D1584X(D)*	1155	1277	1413	1827	1915	2344	1504	1699	1742	1827	1810	1898	1842	1896	2103	1988	2206	2173	2544	2968
PR_3D1884X(D)*	1233	1374	1528	2001	2100	2588	1655	1871	1908	2001	1983	2079	2034	2093	2324	2195	2437	2400	2809	3278
PR_3D2184X(D)*	1318	1479	1657	2184	2291	2841	1813	2049	2083	2184	2164	2269	2230	2296	2552	2408	2678	2634	3083	3599
PR_3D2484X(D)*	1396	1577	1771	2356	2463	3080	1966	2222	2246	2347	2334	2447	2418	2490	2770	2612	2905	2856	3345	3904
<b>PANTRY REVERSE (2-DR/3-DWR) - 84" H x 24" or 21" D</b>																				
PR_3D2484X(D)DD	1418	1618	1828	2459	2771	3211	2074	2325	2344	2642	2435	2556	2520	2595	2912	2722	3054	2976	3487	4072
PR_3D2784X(D)	1496	1715	1947	2634	2966	3453	2173	2495	2510	2827	2608	2737	2710	2790	3133	2927	3287	3200	3750	4379
PR_3D3084X(D)	1581	1820	2071	2815	3166	3706	2332	2675	2683	3017	2788	2941	2907	2993	3360	3141	3526	3434	4025	4700
PR_3D3384X(D)	1664	1918	2188	2988	3360	3948	2483	2844	2848	3202	2960	3141	3097	3188	3580	3346	3757	3660	4287	5008
PR_3D3684X(D)	1743	2023	2315	3170	3560	4201	2642	3024	3021	3392	3139	3351	3295	3392	3808	3560	3996	3894	4562	5329
<b>PANTRY REVERSE (1-DR/3-DWR) - 87" or 90" H x 24" or 21" D</b>																				
PR_3D15(H)X(D)*	1202	1330	1470	1903	1996	2454	1565	1771	1815	1903	1886	1978	1930	1986	2205	2083	2313	2276	2664	3109
PR_3D18(H)X(D)*	1286	1433	1596	2088	2190	2715	1725	1954	1991	2088	2069	2169	2134	2196	2442	2303	2563	2519	2948	3441
PR_3D21(H)X(D)*	1375	1545	1732	2283	2395	2988	1893	2144	2176	2283	2261	2371	2346	2415	2688	2534	2820	2770	3244	3787
PR_3D24(H)X(D)*	1460	1650	1854	2464	2585	3244	2056	2327	2349	2464	2441	2561	2547	2622	2922	2751	3066	3009	3523	4113
<b>PANTRY REVERSE (2-DR/3-DWR) - 87" or 90" H x 24" or 21" D</b>																				
PR_3D24(H)X(D)DD	1481	1691	1911	2568	2898	3377	2162	2430	2447	2763	2544	2663	2651	2729	3065	2863	3216	3131	3667	4282
PR_3D27(H)X(D)	1564	1794	2039	2754	3105	3636	2271	2610	2625	2960	2729	2878	2853	2937	3300	3082	3463	3370	3950	4613
PR_3D30(H)X(D)	1654	1906	2171	2946	3317	3908	2439	2802	2809	3161	2919	3102	3066	3156	3546	3312	3721	3623	4245	4959
PR_3D33(H)X(D)	1738	2011	2296	3129	3523	4167	2598	2983	2983	3356	3100	3317	3268	3365	3782	3531	3969	3862	4525	5286
PR_3D36(H)X(D)	1828	2123	2432	3329	3738	4438	2768	3173	3173	3562	3299	3541	3480	3584	4026	3760	4225	4114	4820	5631
<b>PANTRY REVERSE (1-DR/3-DWR) - 93" or 96" H x 24" or 21" D</b>																				
PR_3D15(H)X(D)*	1282	1413	1567	2010	2108	2607	1657	1874	1916	2010	1991	2088	2049	2108	2339	2212	2454	2417	2829	3302
PR_3D18(H)X(D)*	1370	1523	1713	2208	2317	2887	1827	2067	2105	2208	2188	2295	2268	2334	2593	2447	2720	2676	3134	3658
PR_3D21(H)X(D)*	1467	1645	1872	2413	2532	3177	2006	2269	2301	2413	2391	2508	2495	2568	2856	2693	2997	2946	3450	4028
PR_3D24(H)X(D)*	1557	1757	2010	2608	2897	3453	2178	2464	2486	2761	2585	2724	2710	2790	3105	2927	3258	3200	3750	4379
<b>PANTRY REVERSE (2-DR/3-DWR) - 93" or 96" H x 24" or 21" D</b>																				
PR_3D24(H)X(D)DD	1577	1798	2062	2712	3056	3584	2291	2568	2585	2914	2686	2827	2812	2895	3250	3038	3409	3322	3892	4545
PR_3D27(H)X(D)	1669	1910	2223	2912	3280	3867	2407	2763	2776	3126	2885	3060	3032	3122	3506	3277	3679	3584	4199	4905
PR_3D30(H)X(D)	1769	2034	2381	3121	3509	4160	2590	2970	2975	3345	3092	3304	3263	3360	3772	3526	3958	3857	4520	5280
PR_3D33(H)X(D)	1861	2147	2529	3317	3728	4438	2758	3163	3161	3553	3285	3533	3480	3584	4023	3760	4221	4114	4820	5631
PR_3D36(H)X(D)	1957	2268	2688	3524	3957	4730	2939	3367	3358	3770	3490	3775	3707	3818	4286	4006	4498	4382	5137	6002

"(H) & (D)" Specify overall height & depth | Insert "B" (Base), "M" (Mid) or "V" (Vanity) after "PRF" to designate lower section height

# Tall Cabinets

\* L or R required

## PANTRY REVERSE BASE, MID 4-DRAWER

Overall Cabinet Height	Qty of Adj. Shelves
42" – 60"	0
60-1/4" – 69"	1
69-1/4" – 78"	2
78-1/4" – 90"	3
90-1/4" – 96"	4

- Lower section has same size drawers as Base (B4D) or Mid (MB4D and VM4D)
- Qty of adjustable shelves depends on cabinet height
- Apply **IRO** modification to add individual roll-outs
- Apply **ZDF1** modification for two horizontal drawers
- Configuration for upper doors varies by door style (use General Section for upper door configuration)

### MODIFICATION LIMITS

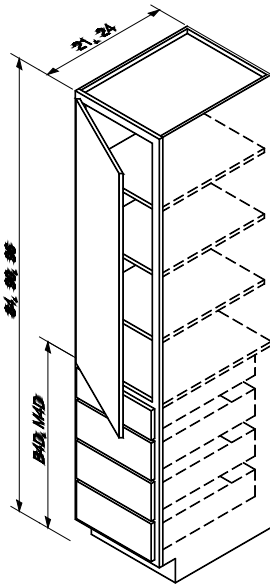
Width 12" – 24"  
 Height \*\* – 96"  
 Depth 12" – 30"

\*\* Min. Ht.  
 PRB = 45"  
 PRM = 42"

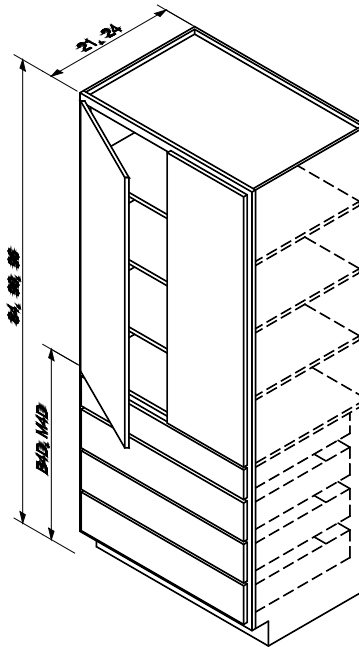
### MODIFICATION LIMITS

Width 18" – 36" (Inset: 21" min.)  
 Height \*\* – 96"  
 Depth 12" – 30"

\*\* Min. Ht.  
 PRB = 45"  
 PRM = 42"



**Depth note:** Drawer and guides do not change when cabinet depth is increased



### PR\_1DR4DWR

84" | 87" | 90" | 93" | 96" H

PR\_4D15\_\_X21\*  
 PR\_4D18\_\_X21\*  
 PR\_4D21\_\_X21\*  
 PR\_4D24\_\_X21\*

PR\_4D15\_\_X24\*  
 PR\_4D18\_\_X24\*  
 PR\_4D21\_\_X24\*  
 PR\_4D24\_\_X24\*

### PR\_2DR4DWR

84" | 87" | 90" | 93" | 96" H

PR\_4D24\_\_X21DD  
 PR\_4D27\_\_X21  
 PR\_4D30\_\_X21  
 PR\_4D33\_\_X21  
 PR\_4D36\_\_X21

PR\_4D24\_\_X24DD  
 PR\_4D27\_\_X24  
 PR\_4D30\_\_X24  
 PR\_4D33\_\_X24  
 PR\_4D36\_\_X24

Insert "B" (Base), "M" (Mid) or "V" (Vanity) after "PRF" to designate lower section height

### HOW TO ORDER

Configuration	Lwr Section	W	H	D	* Swing
PR	B4D	21	90	x 21	L

# Tall Cabinets

\* L or R required

	C0	C1	C2	C4	C4A	C5	C7	C7A	C9	C9A	C10	C10A	C11	C12	C12A	C13	C13A	C14	C15	C16
<b>PANTRY REVERSE (1-DR/4-DWR) - 84" H x 24" or 21" D</b>																				
PR_4D1584X(D)*	1216	1355	1506	1927	2020	2461	1586	1781	1837	1927	1908	2001	1935	1991	2198	2088	2305	2283	2673	3119
PR_4D1884X(D)*	1301	1457	1626	2106	2210	2712	1742	1957	2008	2106	2086	2188	2130	2193	2424	2300	2542	2515	2944	3436
PR_4D2184X(D)*	1391	1567	1759	2293	2405	2968	1905	2140	2186	2293	2271	2383	2332	2400	2656	2517	2787	2753	3224	3763
PR_4D2484X(D)*	1472	1669	1877	2471	2591	3217	2061	2317	2356	2471	2447	2568	2525	2600	2880	2727	3021	2983	3494	4079
<b>PANTRY REVERSE (2-DR/4-DWR) - 84" H x 24" or 21" D</b>																				
PR_4D2484X(D)DD	1494	1710	1935	2575	2888	3348	2169	2420	2454	2753	2551	2676	2627	2705	3022	2837	3172	3104	3636	4247
PR_4D2784X(D)	1579	1811	2057	2754	3087	3597	2273	2595	2625	2943	2729	2863	2822	2905	3248	3048	3407	3334	3906	4562
PR_4D3084X(D)	1669	1922	2188	2941	3292	3855	2437	2780	2803	3138	2914	3056	3024	3114	3480	3266	3651	3573	4187	4891
PR_4D3384X(D)	1755	2025	2310	3119	3492	4104	2593	2954	2973	3328	3090	3251	3219	3314	3706	3477	3889	3804	4457	5207
PR_4D3684X(D)	1842	2135	2441	3309	3697	4366	2758	3139	3153	3524	3277	3467	3423	3524	3940	3697	4135	4045	4740	5537
<b>PANTRY REVERSE (1-DR/4-DWR) - 87" or 90" H x 24" or 21" D</b>																				
PR_4D15(H)X(D)*	1264	1408	1564	2003	2101	2573	1647	1852	1910	2003	1984	2081	2022	2081	2300	2183	2412	2386	2793	3260
PR_4D18(H)X(D)*	1353	1516	1694	2193	2300	2841	1811	2040	2091	2193	2173	2279	2230	2296	2542	2408	2668	2634	3083	3599
PR_4D21(H)X(D)*	1448	1633	1833	2391	2508	3116	1984	2235	2279	2391	2369	2485	2447	2519	2792	2642	2929	2888	3385	3952
PR_4D24(H)X(D)*	1537	1742	1961	2580	2707	3382	2151	2422	2459	2580	2556	2681	2654	2732	3032	2866	3182	3134	3672	4287
<b>PANTRY REVERSE (2-DR/4-DWR) - 87" or 90" H x 24" or 21" D</b>																				
PR_4D24(H)X(D)DD	1557	1782	2018	2683	3014	3514	2257	2525	2558	2873	2658	2788	2758	2839	3175	2978	3331	3258	3816	4457
PR_4D27(H)X(D)	1647	1891	2149	2875	3226	3780	2371	2710	2741	3075	2849	2988	2965	3053	3416	3204	3584	3504	4106	4796
PR_4D30(H)X(D)	1742	2008	2288	3073	3443	4059	2544	2907	2929	3282	3044	3207	3183	3277	3667	3438	3848	3760	4408	5149
PR_4D33(H)X(D)	1830	2118	2418	3261	3653	4323	2709	3094	3109	3482	3231	3428	3390	3490	3908	3662	4101	4006	4695	5485
PR_4D36(H)X(D)	1927	2235	2558	3468	3875	4603	2883	3289	3306	3694	3436	3657	3609	3716	4159	3899	4364	4265	4998	5839
<b>PANTRY REVERSE (1-DR/4-DWR) - 93" or 96" H x 24" or 21" D</b>																				
PR_4D15(H)X(D)*	1343	1491	1660	2110	2213	2724	1738	1955	2011	2110	2089	2191	2140	2203	2434	2312	2552	2527	2958	3453
PR_4D18(H)X(D)*	1438	1606	1811	2313	2427	3010	1913	2154	2205	2313	2291	2403	2364	2434	2693	2552	2826	2792	3270	3818
PR_4D21(H)X(D)*	1540	1733	1974	2522	2646	3306	2098	2361	2405	2524	2500	2622	2595	2671	2960	2802	3105	3065	3590	4193
PR_4D24(H)X(D)*	1633	1849	2117	2724	3012	3590	2273	2559	2597	2871	2698	2831	2817	2900	3216	3043	3373	3328	3899	4554
<b>PANTRY REVERSE (2-DR/4-DWR) - 93" or 96" H x 24" or 21" D</b>																				
PR_4D24(H)X(D)DD	1654	1889	2169	2827	3173	3721	2386	2663	2695	3024	2800	2939	2919	3005	3360	3153	3526	3448	4042	4720
PR_4D27(H)X(D)	1752	2006	2334	3034	3400	4009	2507	2863	2892	3241	3005	3160	3144	3238	3621	3397	3799	3716	4355	5088
PR_4D30(H)X(D)	1857	2135	2498	3248	3636	4311	2695	3075	3095	3465	3217	3409	3380	3480	3892	3651	4084	3994	4683	5470
PR_4D33(H)X(D)	1952	2254	2651	3448	3860	4594	2868	3273	3287	3679	3416	3643	3602	3709	4148	3892	4354	4259	4990	5829
PR_4D36(H)X(D)	2056	2379	2814	3662	4096	4895	3054	3482	3490	3902	3628	3891	3836	3950	4418	4145	4637	4535	5315	6211

"(H) & (D)" Specify overall height & depth | Insert "B" (Base) or "M" (Mid) after "PRF" to designate lower section height

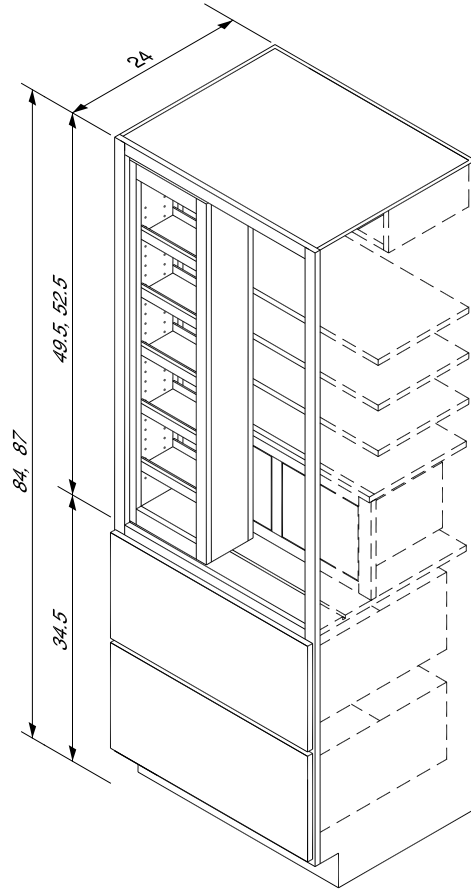
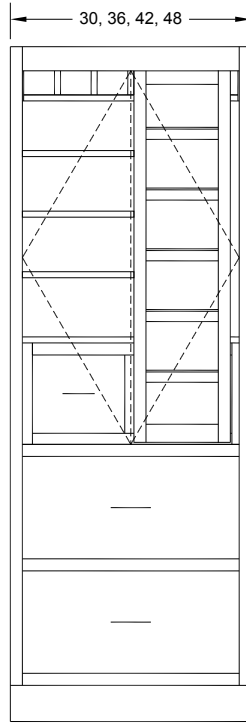
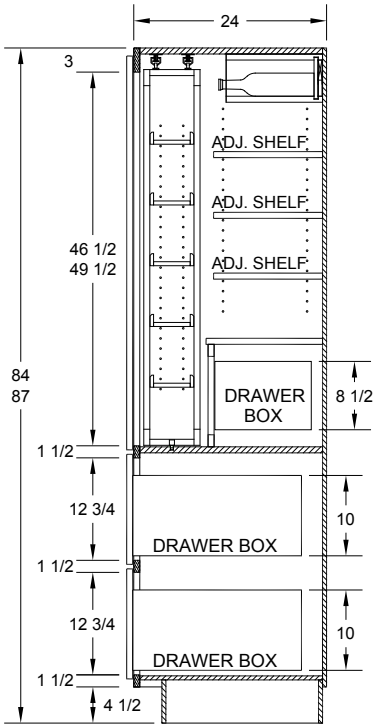
# Tall Cabinets

## PANTRY LARDER STORAGE – 84" AND 87" H

### MODIFICATION LIMITS

Width No Width Mods  
 Height No Height Mods  
 Depth 24" – 30"

- Features: Sliding spice rack, Open cubby hole, Adj shelves and interior drawer boxes
- Cabinet box: plywood construction only (up-charges apply)
- 48" W cabinet: doors will have floating center mullion
- 42" & 48" W cabinets: Four drawers in lower section
- Cabinet Interior: WGL or WHV only (FMI not available)
- Interior drawer boxes: Inset, H edge detail, Slab, HWDWR, UMFEG-IM and preselected Decorative Hardware included
- Interior drawers finish: Natural Maple when WGL or White painted Maple when WHV
- Sliding spice rack: Always natural Maple



Shown without doors to expose interior features

	C0	C1	C2	C4	C4A	C5	C7	C7A	C9	C9A	C10	C10A	C11	C12	C12A	C13	C13A	C14	C15	C16
<b>PL - 84" H</b>																				
<b>PL3084X24</b>	6290	6553	6830	7635	8037	8580	7094	7474	7459	7690	7586	7759	7717	7810	8234	8002	8449	8287	8945	9677
<b>PL3684X24</b>	6584	6893	7215	8139	8590	9238	7546	7971	7941	8370	8085	8321	8256	8360	8845	8578	9089	8904	9654	10490
<b>PL4284X24</b>	6976	7512	8036	9469	10205	11307	8480	9191	9192	9891	9396	9888	9742	9962	10710	10279	11063	10797	11899	13173
<b>PL4884X24</b>	7412	7817	8229	9491	10067	10960	8672	9236	9233	9783	9406	9733	9643	9793	10396	10079	10710	10519	11473	12579
<b>PL - 87" H</b>																				
<b>PL3087X24</b>	6363	6640	6930	7766	8188	8782	7201	7601	7585	7834	7717	7920	7876	7973	8421	8173	8645	8475	9165	9937
<b>PL3687X24</b>	6669	6993	7332	8299	8768	9476	7671	8120	8093	8539	8244	8511	8441	8551	9063	8778	9318	9124	9911	10792
<b>PL4287X24</b>	7076	7629	8173	9655	10412	11584	8626	9365	9370	10090	9582	10110	9957	10186	10965	10514	11329	11055	12201	13526
<b>PL4887X24</b>	7525	7951	8385	9703	10305	11277	8840	9435	9437	10010	9620	9986	9889	10049	10688	10346	11016	10812	11818	12981

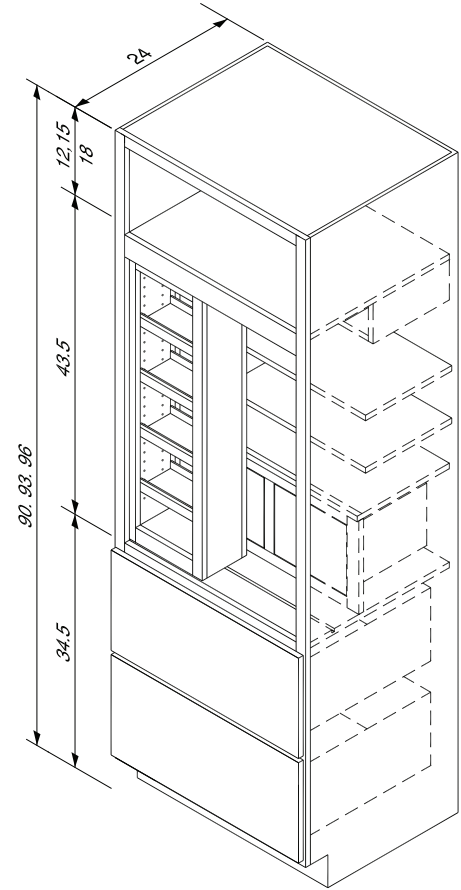
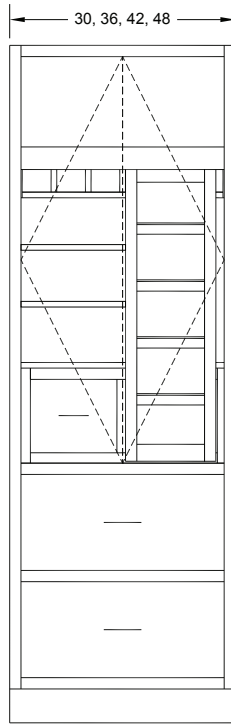
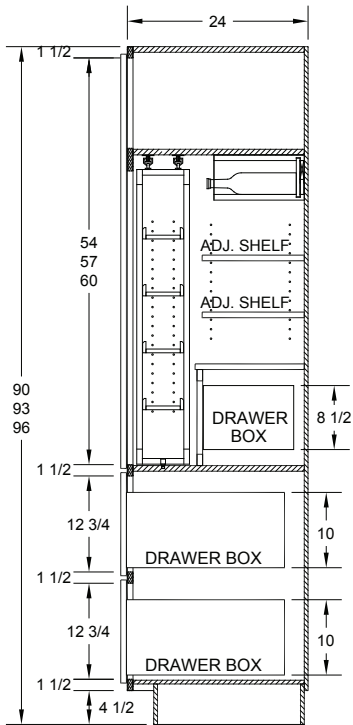
# Tall Cabinets

PANTRY LARDER STORAGE – 90", 93" & 96" H

• See notes at left

### MODIFICATION LIMITS

Width No Width Mods  
 Height No Height Mods  
 Depth 24" – 30"



Shown without doors to expose interior features

	C0	C1	C2	C4	C4A	C5	C7	C7A	C9	C9A	C10	C10A	C11	C12	C12A	C13	C13A	C14	C15	C16
<b>PL - 90" H</b>																				
PL3090X24	6363	6640	6930	7766	8188	8782	7201	7601	7585	7834	7717	7920	7876	7973	8421	8173	8645	8475	9165	9937
PL3690X24	6669	6993	7332	8299	8768	9476	7671	8120	8093	8539	8244	8511	8441	8551	9063	8778	9318	9124	9911	10792
PL4290X24	7076	7629	8173	9655	10412	11584	8626	9365	9370	10090	9582	10110	9957	10186	10965	10514	11329	11055	12201	13526
PL4890X24	7525	7951	8385	9703	10305	11277	8840	9435	9437	10010	9620	9986	9889	10049	10688	10346	11016	10812	11818	12981
<b>PL - 93" or 96" H</b>																				
PL30(H)X24	6479	6767	7140	7941	8380	9035	7352	7769	7751	8017	7890	8122	8073	8176	8646	8387	8882	8709	9440	10257
PL36(H)X24	6798	7294	7898	9099	9799	10848	8202	8865	8838	9504	9024	9515	9382	9586	10317	9883	10653	10366	11434	12634
PL42(H)X24	7225	7797	8472	9883	10668	11925	8826	9591	9586	10334	9806	10383	10222	10459	11268	10800	11648	11367	12571	13958
PL48(H)X24	7696	8142	8728	9964	10597	11665	9067	9693	9684	10288	9874	10298	10193	10361	11034	10673	11380	11170	12240	13476

"(H)" Specify overall height



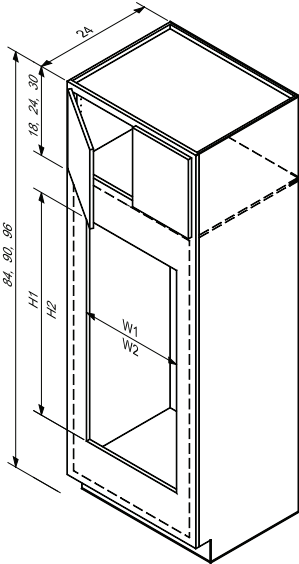
# Tall Cabinets

## UNIVERSAL OVEN – NO DRAWER

### MODIFICATION LIMITS

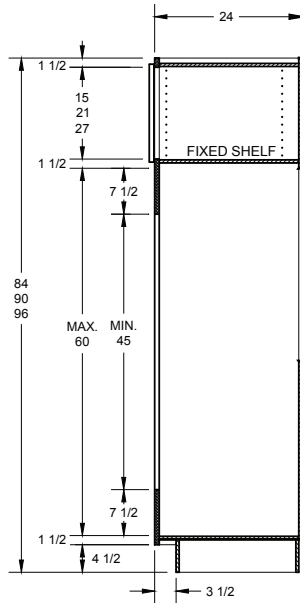
Width 24" – 36"  
 Height 78" – 96"  
 Depth 24" – 30"

Overall Cabinet Height	Qty of Adj. Shelves
78" – 90"	0
90-1/4" – 96"	1



- Over 90"H ships with loose toekick
- RH modifications applied to upper section
- Back on lower section is 34-1/2" tall
- Standard opening will be minimum cutout dimensions (see charts below)
- Cutouts are centered vertically and horizontally
- Wide stiles and rails construction allows opening size to be enlarged in field

- Removal of screws from back side of frame may be required before cutting
- Oven shelf and cleats are tacked to interior of cabinet end
- Custom factory cutouts are available, apply Custom Cutout Modification. See pg M-16 for CC1, CC2, CC3 specs and pricing, Minimum and maximum cutout dimensions listed below.



### UOVND

84" | 87" | 90" | 93" | 96" H

UOV27(H)-ND

UOV30(H)-ND

UOV33(H)-ND

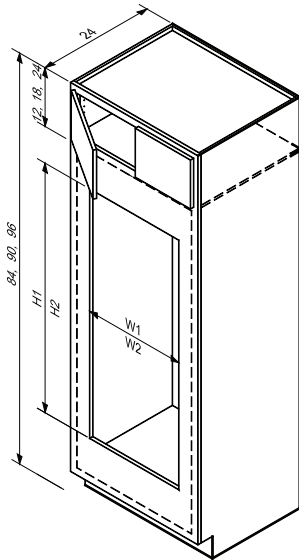
### UOV-ND CUTOUT

Opening	Existing & Min. Cutout	Max. Cutout
W1 (width)	Cab. Width - 9"	Cab. Width - 3"
H1 (height)	45"	60"

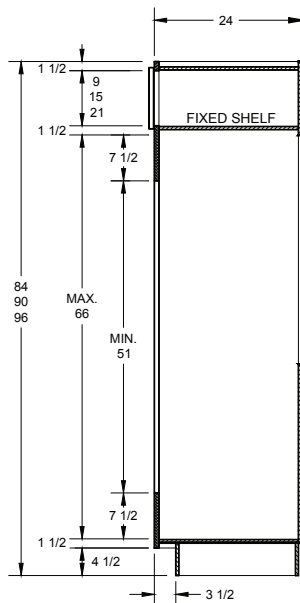
## UOV – NO DRAWER, SHORT UPPER

### MODIFICATION LIMITS

Width 24" – 36"  
 Height 84" – 96"  
 Depth 24" – 30"



- See notes above
- No adjustable shelves



### UOVNDS

84" | 87" | 90" | 93" | 96" H

UOV27(H)-NDS

UOV30(H)-NDS

UOV33(H)-NDS

### UOV-NDS CUTOUT

Opening	Existing & Min. Cutout	Max. Cutout
W1 (width)	Cab. Width - 9"	Cab. Width - 3"
H1 (height)	51"	66"



# Tall Cabinets

	C0	C1	C2	C4	C4A	C5	C7	C7A	C9	C9A	C10	C10A	C11	C12	C12A	C13	C13A	C14	C15	C16
<b>UOV - NO DRAWER - 84" H</b>																				
UOV2784-ND	1216	1260	1353	1679	1920	2118	1340	1594	1601	1830	1664	1901	1672	1715	1944	1798	2039	1964	2298	2680
UOV3084-ND	1296	1343	1440	1789	2045	2262	1433	1703	1706	1950	1772	2027	1789	1832	2076	1922	2178	2100	2456	2865
UOV3384-ND	1377	1426	1530	1901	2173	2408	1526	1811	1813	2071	1884	2152	1906	1949	2208	2044	2317	2234	2614	3049
<b>UOV - NO DRAWER - 87" or 90" H</b>																				
UOV27(H)-ND	1279	1335	1438	1793	2050	2293	1433	1704	1710	1955	1776	2032	1813	1855	2106	1945	2210	2127	2488	2902
UOV30(H)-ND	1370	1430	1540	1922	2196	2463	1540	1830	1832	2095	1903	2176	1950	1993	2262	2089	2373	2285	2675	3121
UOV33(H)-ND	1455	1520	1637	2044	2335	2627	1643	1949	1949	2227	2025	2313	2081	2125	2410	2229	2529	2437	2853	3329
<b>UOV - NO DRAWER - 93" or 96" H</b>																				
UOV27(H)-ND	1348	1414	1530	1913	2190	2478	1531	1820	1825	2088	1896	2169	1961	2005	2276	2103	2388	2298	2690	3139
UOV30(H)-ND	1443	1515	1638	2050	2344	2663	1645	1954	1955	2235	2032	2324	2110	2154	2446	2259	2566	2469	2892	3375
UOV33(H)-ND	1531	1608	1742	2183	2493	2842	1755	2083	2081	2376	2162	2469	2252	2298	2607	2410	2734	2636	3087	3602

	C0	C1	C2	C4	C4A	C5	C7	C7A	C9	C9A	C10	C10A	C11	C12	C12A	C13	C13A	C14	C15	C16
<b>UOV - NO DWR, SHORT UPPER - 84" H</b>																				
UOV2784-NDS	1208	1247	1335	1650	1888	2069	1318	1567	1574	1799	1635	1861	1633	1676	1898	1755	1989	1918	2246	2619
UOV3084-NDS	1286	1328	1420	1759	2010	2206	1409	1674	1677	1916	1735	1981	1745	1788	2025	1874	2123	2049	2395	2793
UOV3384-NDS	1367	1409	1508	1869	2134	2349	1499	1779	1782	2034	1842	2103	1859	1901	2152	1994	2259	2179	2549	2973
<b>UOV - NO DWR, SHORT UPPER - 87" or 90" H</b>																				
UOV27(H)-NDS	1258	1304	1399	1737	1986	2195	1387	1652	1657	1894	1706	1954	1735	1777	2017	1864	2117	2037	2381	2776
UOV30(H)-NDS	1348	1398	1498	1861	2125	2356	1491	1771	1774	2027	1827	2089	1866	1906	2164	2000	2269	2186	2558	2985
UOV33(H)-NDS	1431	1484	1591	1978	2259	2510	1589	1884	1886	2154	1942	2218	1988	2032	2301	2130	2415	2329	2727	3182
<b>UOV - NO DWR, SHORT UPPER - 93" or 96" H</b>																				
UOV27(H)-NDS	1330	1389	1499	1871	2140	2407	1498	1779	1784	2042	1845	2112	1903	1947	2210	2042	2318	2232	2612	3049
UOV30(H)-NDS	1423	1487	1604	2005	2291	2586	1608	1910	1911	2184	1976	2261	2047	2091	2373	2195	2490	2398	2807	3277
UOV33(H)-NDS	1509	1579	1704	2132	2435	2756	1715	2035	2034	2320	2101	2400	2184	2229	2529	2337	2653	2556	2993	3494

"(H)" Specify overall height

## CUSTOM CUTOUT MODIFICATIONS

	MSRP	
CC1	382	• See pg M-16 for custom cutout details
CC2	127	
CC3	127	

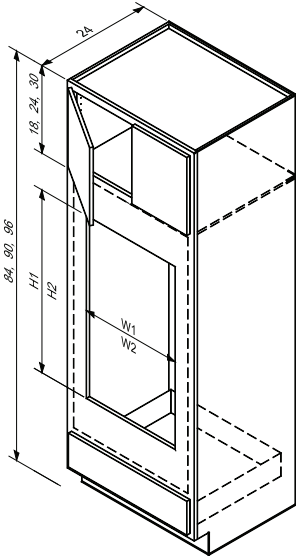
# Tall Cabinets

## UNIVERSAL OVEN – 1 SHALLOW DRAWER

### MODIFICATION LIMITS

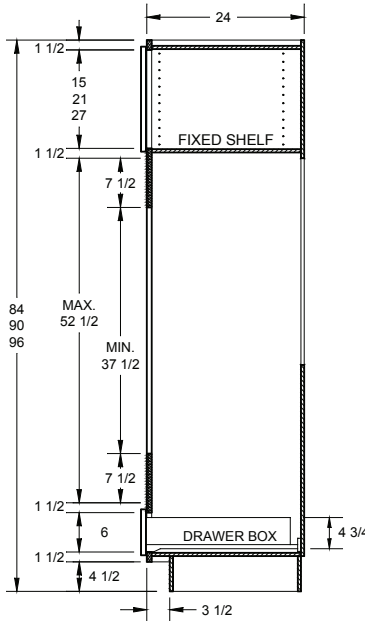
Width 24" – 36"  
 Height 78" – 96"  
 Depth 24" – 30" (drawers don't increase)

Overall Cabinet Height	Qty of Adj. Shelves
78" – 90"	0
90-1/4" – 96"	1



- Over 90" H ships with loose toekick
- RH modifications applied to upper section
- Apply 2DF1 mod. for two horizontal drawers
- Back on lower section is 34-1/2" tall
- Standard opening will be minimum cutout dimensions (see charts below)
- Cutouts are centered vertically and horizontally
- Wide stiles and rails construction allows opening size to be enlarged in field

- Removal of screws from back side of frame may be required before cutting
- Oven shelf and cleats are tacked to interior of cabinet end
- Custom factory cutouts are available, apply Custom Cutout Modification. See pg M-16 for CC1, CC2, CC3 specs and pricing, Minimum and maximum cutout dimensions listed below.



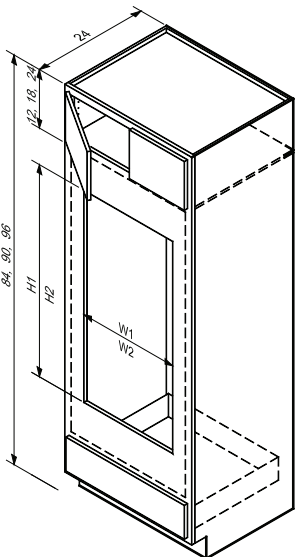
UOV1S
84"   87"   90"   93"   96" H
UOV27(H)-1S
UOV30(H)-1S
UOV33(H)-1S

UOV-1S CUTOUT		
Opening	Existing & Min. Cutout	Max. Cutout
W1 (width)	Cab. Width - 9"	Cab. Width - 3"
H1 (height)	37-1/2"	52-1/2"

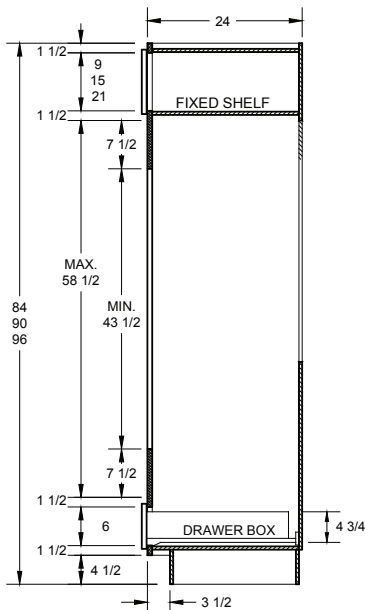
## UOV – 1 SHALLOW DRAWER, SHORT UPPER

### MODIFICATION LIMITS

Width 24" – 36"  
 Height 84" – 96"  
 Depth 24" – 30" (drawers don't increase)



- See notes and adjustable shelf chart above



UOV1SS
84"   87"   90"   93"   96" H
UOV27(H)-1SS
UOV30(H)-1SS
UOV33(H)-1SS

UOV-1SS CUTOUT		
Opening	Existing & Min. Cutout	Max. Cutout
W1 (width)	Cab. Width - 9"	Cab. Width - 3"
H1 (height)	43-1/2"	58-1/2"

# Tall Cabinets

\* L or R required

	C0	C1	C2	C4	C4A	C5	C7	C7A	C9	C9A	C10	C10A	C11	C12	C12A	C13	C13A	C14	C15	C16
<b>UOV - 1 SHALLOW DRAWER - 84" H</b>																				
UOV2784-1S	1284	1328	1421	1750	1991	2201	1408	1662	1669	1898	1733	1972	1740	1782	2011	1869	2110	2042	2396	2795
UOV3084-1S	1364	1411	1508	1861	2117	2347	1501	1771	1774	2018	1844	2096	1857	1900	2144	1993	2249	2178	2554	2980
UOV3384-1S	1445	1494	1598	1972	2244	2493	1594	1879	1881	2139	1954	2222	1974	2017	2276	2115	2388	2312	2712	3165
<b>UOV - 1 SHALLOW DRAWER - 87" or 90" H</b>																				
UOV27(H)-1S	1347	1403	1506	1864	2122	2376	1501	1772	1777	2023	1847	2103	1881	1923	2174	2017	2281	2205	2586	3017
UOV30(H)-1S	1438	1498	1608	1993	2268	2547	1608	1898	1900	2162	1974	2247	2018	2061	2330	2161	2444	2363	2771	3234
UOV33(H)-1S	1523	1587	1704	2115	2407	2712	1711	2017	2017	2295	2095	2385	2149	2193	2478	2300	2600	2515	2949	3443
<b>UOV - 1 SHALLOW DRAWER - 93" or 96" H</b>																				
UOV27(H)-1S	1416	1482	1598	1984	2261	2563	1599	1888	1893	2156	1966	2240	2028	2073	2344	2174	2459	2376	2788	3255
UOV30(H)-1S	1511	1582	1706	2122	2415	2748	1713	2022	2023	2303	2103	2393	2178	2222	2513	2330	2637	2547	2988	3489
UOV33(H)-1S	1599	1676	1810	2254	2564	2927	1823	2151	2149	2444	2234	2539	2320	2366	2675	2481	2805	2714	3183	3716

	C0	C1	C2	C4	C4A	C5	C7	C7A	C9	C9A	C10	C10A	C11	C12	C12A	C13	C13A	C14	C15	C16
<b>UOV - 1 SHLW DWR, SHORT UPPER - 84" H</b>																				
UOV2784-1SS	1275	1314	1403	1721	1959	2152	1386	1635	1642	1867	1704	1932	1701	1743	1966	1827	2061	1996	2344	2734
UOV3084-1SS	1353	1396	1487	1830	2081	2291	1477	1742	1745	1984	1806	2050	1813	1855	2093	1945	2195	2127	2493	2909
UOV3384-1SS	1435	1477	1576	1940	2205	2434	1567	1847	1850	2101	1911	2173	1927	1969	2220	2066	2330	2257	2647	3088
<b>UOV - 1 SHLW DWR, SHORT UPPER - 87" or 90" H</b>																				
UOV27(H)-1SS	1326	1372	1467	1808	2057	2278	1455	1720	1725	1962	1777	2025	1803	1845	2084	1935	2188	2115	2480	2892
UOV30(H)-1SS	1416	1465	1565	1932	2196	2441	1559	1838	1842	2095	1898	2161	1933	1974	2232	2071	2340	2264	2654	3099
UOV33(H)-1SS	1499	1552	1659	2049	2330	2595	1657	1952	1954	2222	2011	2290	2056	2100	2369	2201	2486	2407	2824	3295
<b>UOV - 1 SHLW DWR, SHORT UPPER - 93" or 96" H</b>																				
UOV27(H)-1SS	1398	1457	1567	1942	2212	2491	1565	1847	1852	2110	1915	2183	1971	2015	2278	2113	2390	2310	2710	3165
UOV30(H)-1SS	1491	1555	1672	2076	2363	2671	1676	1978	1979	2252	2047	2330	2115	2159	2441	2266	2561	2476	2904	3390
UOV33(H)-1SS	1577	1647	1772	2203	2507	2841	1782	2103	2101	2388	2173	2469	2252	2296	2597	2408	2724	2634	3090	3607

"(H)" Specify overall height

### CUSTOM CUTOUT MODIFICATIONS

	MSRP	
CC1	382	• See pg M-16 for custom cutout details
CC2	127	
CC3	127	

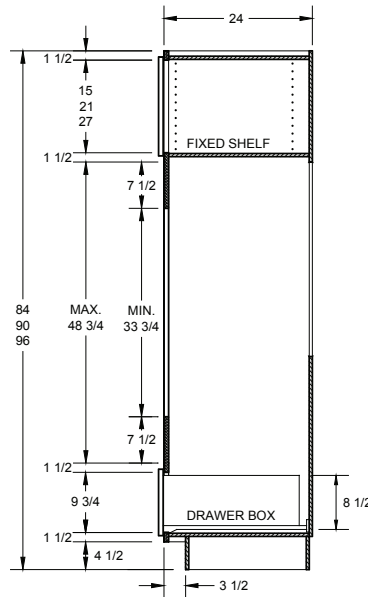
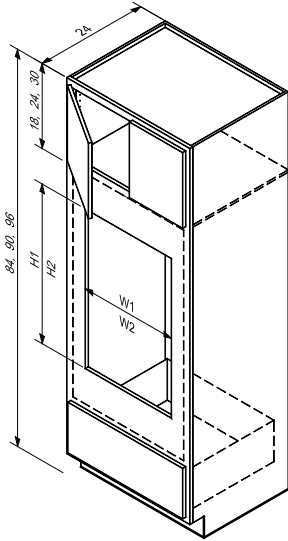
# Tall Cabinets

## UNIVERSAL OVEN – 1 DEEP DRAWER

### MODIFICATION LIMITS

Width 24" – 36"  
 Height 78" – 96"  
 Depth 24" – 30" (drawers don't increase)

Overall Cabinet Height	Qty of Adj. Shelves
78" – 90"	0
90-1/4" – 96"	1



UOV1D  
 84" | 87" | 90" | 93" | 96" H  
 UOV27(H)-1D  
 UOV30(H)-1D  
 UOV33(H)-1D

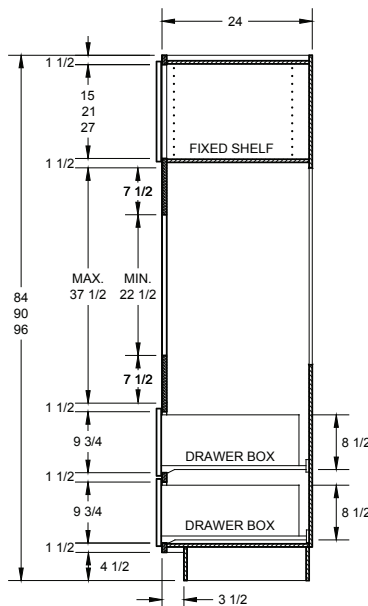
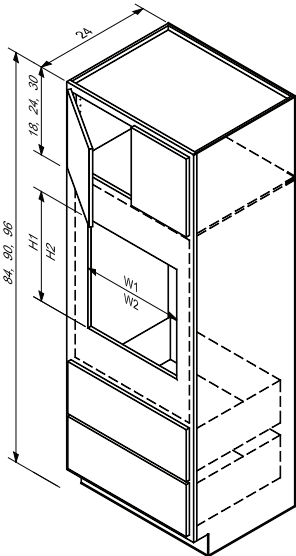
UOV-1D CUTOUT		
Opening	Existing & Min. Cutout	Max. Cutout
W1 (width)	Cab. Width - 9"	Cab. Width - 3"
H1 (height)	33-3/4"	48-3/4"

- Over 90" H ships with loose toekick
- RH modifications applied to upper section
- Apply 2DF1 mod. for two horizontal drawers
- Back on lower section is 34-1/2" tall
- Standard opening will be minimum cutout dimensions (see charts below)
- Cutouts are centered vertically and horizontally
- Wide stiles and rails construction allows opening size to be enlarged in field
- Removal of screws from back side of frame may be required before cutting
- Oven shelf and cleats are tacked to interior of cabinet end
- Custom factory cutouts are available, apply Custom Cutout Modification. See pg M-16 for CC1, CC2, CC3 specs and pricing, Minimum and maximum cutout dimensions listed below.

## UNIVERSAL OVEN – 2-DRAWER

### MODIFICATION LIMITS

Width 24" – 36"  
 Height 78" – 96"  
 Depth 24" – 30" (drawers don't increase)



UOV2  
 84" | 87" | 90" | 93" | 96" H  
 UOV27(H)-2  
 UOV30(H)-2  
 UOV33(H)-2

UOV-2 CUTOUT		
Opening	Existing & Min. Cutout	Max. Cutout
W1 (width)	Cab. Width - 9"	Cab. Width - 3"
H1 (height)	22-1/2"	37-1/2"

- See notes and adjustable shelf chart above

# Tall Cabinets

	C0	C1	C2	C4	C4A	C5	C7	C7A	C9	C9A	C10	C10A	C11	C12	C12A	C13	C13A	C14	C15	C16
<b>UOV - 1 DEEP DRAWER - 84" H</b>																				
UOV2784-1D	1301	1345	1438	1767	2008	2223	1425	1679	1686	1915	1752	1989	1757	1799	2028	1888	2127	2062	2413	2815
UOV3084-1D	1381	1428	1525	1877	2135	2368	1518	1788	1791	2035	1861	2115	1874	1916	2161	2010	2266	2196	2571	3000
UOV3384-1D	1462	1511	1615	1991	2261	2513	1611	1896	1898	2156	1972	2240	1991	2034	2293	2134	2405	2332	2729	3185
<b>UOV - 1 DEEP DRAWER - 87" or 90" H</b>																				
UOV27(H)-1D	1364	1420	1523	1881	2140	2398	1518	1789	1794	2040	1864	2120	1898	1940	2191	2035	2298	2223	2603	3038
UOV30(H)-1D	1455	1515	1625	2010	2286	2568	1625	1915	1916	2179	1991	2264	2035	2078	2347	2179	2463	2381	2788	3255
UOV33(H)-1D	1540	1604	1721	2134	2425	2732	1728	2034	2034	2312	2113	2402	2166	2210	2495	2318	2617	2534	2966	3462
<b>UOV - 1 DEEP DRAWER - 93" or 96" H</b>																				
UOV27(H)-1D	1433	1499	1615	2003	2279	2583	1616	1905	1910	2173	1984	2257	2045	2089	2361	2191	2476	2395	2805	3273
UOV30(H)-1D	1528	1599	1723	2140	2434	2768	1730	2039	2040	2320	2120	2412	2195	2239	2530	2349	2654	2568	3005	3507
UOV33(H)-1D	1616	1693	1827	2271	2581	2948	1840	2167	2166	2461	2251	2558	2337	2383	2692	2500	2824	2732	3200	3736

	C0	C1	C2	C4	C4A	C5	C7	C7A	C9	C9A	C10	C10A	C11	C12	C12A	C13	C13A	C14	C15	C16
<b>UOV - 2 DRAWER - 84" H</b>																				
UOV2784-2	1318	1404	1531	1942	2205	2432	1557	1832	1852	2101	1925	2183	1925	1967	2217	2064	2325	2256	2639	3080
UOV3084-2	1396	1486	1623	2066	2340	2590	1660	1950	1969	2232	2045	2318	2052	2095	2361	2196	2476	2402	2812	3282
UOV3384-2	1474	1569	1715	2188	2480	2749	1762	2071	2086	2364	2167	2458	2181	2223	2505	2332	2627	2549	2985	3484
<b>UOV - 2 DRAWER - 87" or 90" H</b>																				
UOV27(H)-2	1381	1477	1618	2056	2335	2608	1650	1942	1961	2227	2037	2313	2066	2110	2379	2213	2497	2418	2832	3306
UOV30(H)-2	1470	1572	1723	2196	2493	2792	1767	2078	2095	2376	2176	2469	2215	2257	2547	2368	2673	2588	3031	3538
UOV3390-2	1552	1662	1822	2330	2644	2968	1879	2210	2222	2520	2308	2619	2357	2400	2709	2517	2841	2753	3224	3763
<b>UOV - 2 DRAWER - 93" or 96" H</b>																				
UOV27(H)-2	1450	1557	1710	2178	2473	2792	1749	2057	2076	2357	2157	2449	2213	2257	2549	2368	2675	2588	3031	3538
UOV30(H)-2	1542	1657	1820	2325	2641	2992	1872	2203	2217	2517	2303	2615	2373	2418	2731	2537	2865	2775	3248	3792
UOV33(H)-2	1628	1752	1927	2469	2802	3183	1991	2342	2354	2671	2446	2776	2529	2573	2905	2698	3048	2951	3456	4036

"(H)" Specify overall height

## CUSTOM CUTOUT MODIFICATIONS

	MSRP	
CC1	382	• See pg M-16 for custom cutout details
CC2	127	
CC3	127	

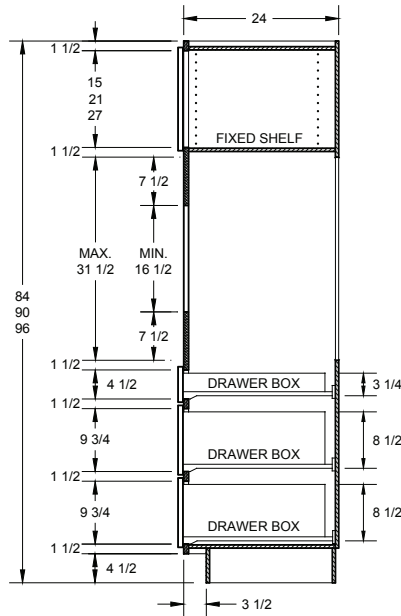
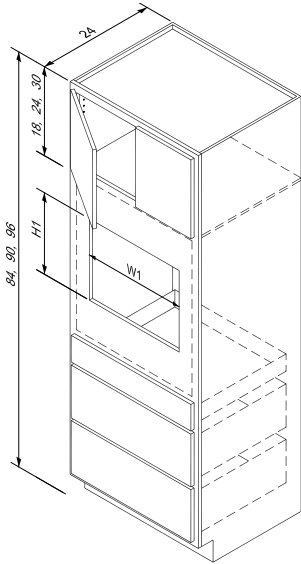
# Tall Cabinets

## UNIVERSAL OVEN – 3-DRAWER

### MODIFICATION LIMITS

Width 24" – 36"  
 Height 78" – 96"  
 Depth 24" – 30" (drawers don't increase)

Overall Cabinet Height	Qty of Adj. Shelves
78" – 90"	0
90-1/4" – 96"	1



- Over 90" ships with loose toekick
- RH modifications applied to upper section
- Apply 2DF1 mod. for two horizontal drawers
- Back on lower section is 34-1/2" tall
- Standard opening will be minimum cutout dimensions (see charts below)
- Cutouts are centered vertically and horizontally
- Wide stiles and rails construction allows opening size to be enlarged in field
- Removal of screws from back side of frame may be required before cutting
- Oven shelf and cleats are tacked to interior of cabinet end
- Custom factory cutouts are available, apply Custom Cutout Modification. See pg M-16 for CC1, CC2, CC3 specs and pricing, Minimum and maximum cutout dimensions listed below.

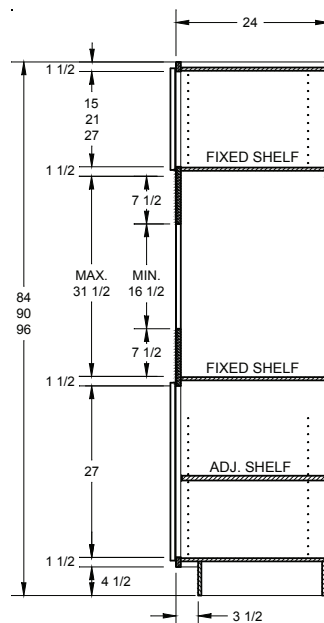
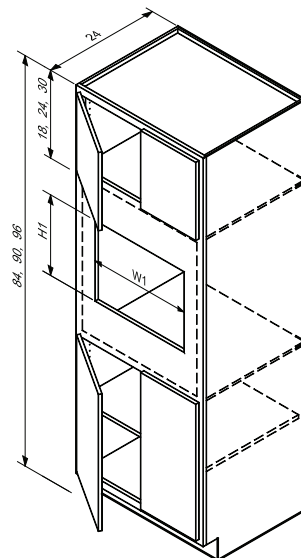
UOV3
84"   87"   90"   93"   96" H
UOV27(H)-3
UOV30(H)-3
UOV33(H)-3

UOV-3 CUTOUT		
Opening	Existing & Min. Cutout	Max. Cutout
W1 (width)	Cab. Width - 9"	Cab. Width - 3"
H1 (height)	16-1/2"	31-1/2"

## UNIVERSAL OVEN – FULL BASE (FULL DOOR)

### MODIFICATION LIMITS

Width 24" – 36"  
 Height 78" – 96"  
 Depth 24" – 30"



- See notes above (disregard 2DF1note)
- Lower section also has one adjustable shelf

UOVFD
84"   87"   90"   93"   96" H
UOV27(H)-FB
UOV30(H)-FB
UOV33(H)-FB

UOV-FB CUTOUT		
Opening	Existing & Min. Cutout	Max. Cutout
W1 (width)	Cab. Width - 9"	Cab. Width - 3"
H1 (height)	16-1/2"	31-1/2"

# Tall Cabinets

	C0	C1	C2	C4	C4A	C5	C7	C7A	C9	C9A	C10	C10A	C11	C12	C12A	C13	C13A	C14	C15	C16
<b>UOV - 3 DRAWER - 84" H</b>																				
UOV2784-3	1445	1531	1659	2076	2337	2590	1684	1959	1979	2229	2057	2315	2052	2095	2344	2196	2459	2402	2812	3282
UOV3084-3	1523	1613	1750	2198	2474	2748	1788	2078	2096	2359	2178	2451	2179	2222	2488	2330	2610	2547	2983	3482
UOV3384-3	1601	1696	1842	2322	2614	2907	1889	2198	2213	2491	2300	2590	2308	2351	2632	2466	2761	2697	3156	3684
<b>UOV - 3 DRAWER - 87" or 90" H</b>																				
UOV27(H)-3	1508	1604	1745	2190	2469	2766	1777	2069	2088	2354	2169	2446	2193	2237	2507	2347	2629	2566	3004	3506
UOV30(H)-3	1598	1699	1850	2330	2625	2949	1894	2205	2222	2503	2308	2602	2342	2385	2675	2502	2805	2736	3202	3738
UOV33(H)-3	1679	1789	1949	2464	2778	3127	2006	2337	2349	2647	2441	2751	2485	2527	2836	2651	2975	2898	3395	3964
<b>UOV - 3 DRAWER - 93" or 96" H</b>																				
UOV27(H)-3	1577	1684	1837	2312	2607	2949	1876	2184	2203	2485	2290	2581	2340	2385	2676	2502	2807	2736	3202	3738
UOV30(H)-3	1669	1784	1947	2459	2775	3149	2000	2330	2344	2644	2435	2748	2500	2546	2858	2671	2999	2921	3421	3994
UOV33(H)-3	1755	1879	2054	2603	2936	3341	2118	2469	2481	2798	2578	2909	2656	2700	3032	2832	3182	3097	3629	4238

	C0	C1	C2	C4	C4A	C5	C7	C7A	C9	C9A	C10	C10A	C11	C12	C12A	C13	C13A	C14	C15	C16
<b>UOV - FULL BASE - 84" H</b>																				
UOV2784-FB	1080	1167	1294	1711	1972	2225	1319	1594	1615	1864	1693	1950	1688	1730	1979	1832	2095	2037	2447	2917
UOV3084-FB	1158	1248	1386	1833	2110	2383	1423	1713	1732	1994	1813	2086	1815	1857	2123	1966	2246	2183	2619	3117
UOV3384-FB	1236	1331	1477	1957	2249	2542	1525	1833	1849	2127	1935	2225	1944	1986	2268	2101	2396	2332	2792	3319
<b>UOV - FULL BASE - 87" or 90" H</b>																				
UOV27(H)-FB	1143	1240	1381	1825	2105	2402	1413	1704	1723	1989	1805	2081	1828	1872	2142	1983	2264	2201	2639	3141
UOV30(H)-FB	1233	1335	1486	1966	2261	2585	1530	1840	1857	2139	1944	2237	1978	2020	2310	2137	2441	2371	2837	3373
UOV33(H)-FB	1314	1425	1584	2100	2413	2763	1642	1972	1984	2283	2076	2386	2120	2162	2471	2286	2610	2534	3031	3599
<b>UOV - FULL BASE - 93" or 96" H</b>																				
UOV27(H)-FB	1213	1319	1472	1947	2242	2585	1511	1820	1838	2120	1925	2217	1976	2020	2312	2137	2442	2371	2837	3373
UOV30(H)-FB	1304	1420	1582	2095	2410	2785	1635	1966	1979	2279	2071	2383	2135	2181	2493	2307	2634	2556	3056	3629
UOV33(H)-FB	1391	1515	1689	2239	2571	2976	1754	2105	2117	2434	2213	2544	2291	2335	2668	2468	2817	2732	3265	3874

"(H)" Specify overall height

## CUSTOM CUTOUT MODIFICATIONS

	MSRP	
CC1	382	• See pg M-16 for custom cutout details
CC2	127	
CC3	127	

# Tall Cabinets

\*\*\*LLR or LRR required  
(3-dr cabinets only)

## REFRIGERATOR ENCLOSURE (2-DR & 3-DR)

### MODIFICATION LIMITS

Width 24" – 51"

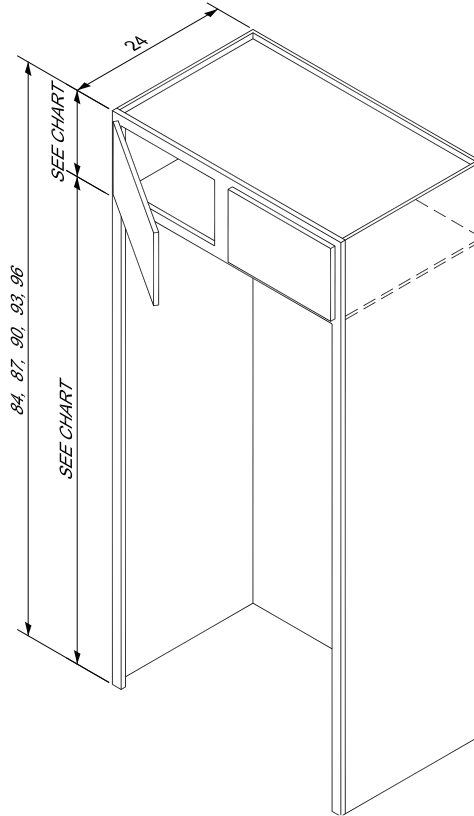
Height\* 84" – 96"

Depth 9" – 30"

\* Height reductions taken from upper section only

- 1-1/2" W integral side stiles, 1/2" thick sides and 1/2" thick full-back
- Back of 51" W cabinets will be seamed
- Refrigerator opening width equals callout width less 3"
- Interior of upper cabinet and lower opening follow global selection and are not finished (FMIT, BIBT, FMIT-BIBT options available)
- Exterior ends are not finished (Finished End options available)

- Adjustable shelf included only with 24" H upper cabinet
- 100" ceiling height required for 96" H x 24" D cabinet
- Cabinets 36" W or less have butt doors without a fixed center mullion in upper section
- Cabinets over 48" W have three doors (Specify hinging: LLR or LRR)



### RE2DR

84" | 87" | 90" | 93" | 96" H

RE36 - -

RE39 - -

RE42 - -

RE45 - -

RE48 - -

### RE3DR

84" | 87" | 90" | 93" | 96" H

RE51 - - \*\*\*

Use chart to determine overall cabinet height when combining available, standard upper and lower heights

Overall Cabinet Height	Upper Cabinet Height				
	12	15	18	21	24
	Lower Opening Height				
84	72	NA	NA	NA	NA
87	75	72	NA	NA	NA
90	78	75	72	NA	NA
93	81	78	75	72	NA
96	84	81	78	75	72

### HOW TO ORDER

Configuration	W	Cab H	-	Lower LH	*** Swing
RE	51	96	-	81	LLR
Example will have 15" H upper section & 3 doors					



# Tall Cabinets

\*\*\*LLR or LRR required  
(3-dr cabinets only)

	C0	C1	C2	C4	C4A	C5	C7	C7A	C9	C9A	C10	C10A	C11	C12	C12A	C13	C13A	C14	C15	C16	
<b>REFRIDGERATOR ENCLOSURE – 84" H (12" UPPER)</b>																					
RE3684-72	1152	1209	1265	1382	1470	1577	1270	1350	1360	1445	1369	1450	1411	1452	1533	1477	1564	1530	1635	1754	
RE3984-72	1177	1235	1292	1416	1508	1626	1299	1382	1392	1481	1404	1489	1450	1491	1577	1518	1610	1574	1688	1816	
RE4284-72	1189	1248	1309	1438	1535	1665	1318	1404	1414	1506	1433	1523	1482	1523	1615	1552	1649	1611	1732	1867	
RE4584-72	1199	1262	1328	1462	1564	1706	1338	1428	1437	1533	1464	1557	1513	1555	1650	1586	1686	1649	1774	1916	
RE4884-72	1209	1277	1345	1487	1589	1745	1358	1452	1460	1559	1492	1591	1545	1587	1688	1620	1725	1686	1818	1969	
RE5184-72***	1230	1303	1374	1526	1633	1799	1389	1487	1498	1601	1531	1637	1587	1632	1738	1667	1777	1737	1877	2037	
<b>REFRIDGERATOR ENCLOSURE – 87"-75" or 90"-78" H (12" UPPER)</b>																					
RE36 (H-LH)	1187	1245	1301	1418	1506	1613	1306	1386	1396	1481	1404	1486	1447	1487	1569	1513	1599	1565	1671	1789	
RE39 (H-LH)	1213	1270	1328	1452	1543	1662	1335	1418	1428	1516	1440	1525	1486	1526	1613	1554	1645	1610	1723	1852	
RE42 (H-LH)	1225	1284	1345	1474	1570	1701	1353	1440	1450	1542	1469	1559	1518	1559	1650	1587	1684	1647	1767	1903	
RE45 (H-LH)	1235	1297	1364	1498	1599	1742	1374	1464	1472	1569	1499	1593	1548	1591	1686	1621	1721	1684	1810	1952	
RE48 (H-LH)	1245	1313	1381	1523	1625	1781	1394	1487	1496	1594	1528	1626	1581	1623	1723	1655	1760	1721	1854	2005	
RE51 (H-LH) ***	1265	1336	1409	1560	1669	1835	1423	1523	1531	1637	1565	1671	1621	1667	1772	1701	1813	1771	1911	2073	
<b>REFRIDGERATOR ENCLOSURE – 93"-81" or 96"-84" H (12" UPPER)</b>																					
RE36 (H-LH)	1221	1279	1335	1452	1540	1647	1340	1420	1430	1515	1438	1520	1481	1521	1603	1547	1633	1599	1704	1823	
RE39 (H-LH)	1247	1304	1362	1486	1577	1696	1369	1452	1462	1550	1474	1559	1520	1560	1647	1587	1679	1643	1757	1886	
RE42 (H-LH)	1258	1318	1379	1508	1604	1735	1387	1474	1484	1576	1503	1593	1552	1593	1684	1621	1718	1681	1801	1937	
RE45 (H-LH)	1269	1331	1398	1531	1633	1776	1408	1498	1506	1603	1533	1626	1582	1625	1720	1655	1755	1718	1844	1986	
RE48 (H-LH)	1279	1347	1414	1557	1659	1815	1428	1521	1530	1628	1562	1660	1615	1657	1757	1689	1794	1755	1888	2039	
RE51 (H-LH) ***	1299	1372	1443	1594	1703	1869	1459	1557	1565	1671	1599	1704	1655	1701	1808	1735	1847	1806	1945	2106	
<b>REFRIDGERATOR ENCLOSURE – 87"-72" or 90"-75" (15" UPPER) or 90"-72" (18" UPPER)</b>																					
RE36 (H-LH)	1172	1245	1313	1453	1554	1708	1330	1420	1428	1525	1462	1559	1516	1557	1655	1587	1691	1650	1776	1918	
RE39 (H-LH)	1202	1279	1350	1499	1604	1774	1367	1464	1472	1572	1513	1613	1569	1610	1715	1643	1754	1711	1847	2003	
RE42 (H-LH)	1214	1292	1367	1523	1632	1813	1386	1486	1494	1598	1542	1647	1601	1642	1752	1677	1793	1749	1891	2054	
RE45 (H-LH)	1225	1306	1386	1545	1659	1854	1406	1509	1516	1625	1572	1681	1632	1674	1788	1711	1830	1786	1933	2103	
RE48 (H-LH)	1235	1321	1403	1570	1686	1893	1426	1533	1540	1650	1601	1715	1664	1706	1825	1745	1869	1822	1978	2156	
RE51 (H-LH) ***	1257	1350	1437	1615	1737	1957	1460	1574	1582	1699	1647	1767	1713	1759	1884	1799	1932	1881	2047	2235	
<b>REFRIDGERATOR ENCLOSURE – 93"-78" or 96"-81" H (15" UPPER) or 93"-75" or 96"-78" (18" UPPER)</b>																					
RE36 (H-LH)	1208	1280	1348	1489	1589	1743	1365	1455	1464	1560	1498	1594	1552	1593	1691	1623	1727	1686	1811	1954	
RE39 (H-LH)	1238	1314	1386	1535	1640	1810	1403	1499	1508	1608	1548	1649	1604	1645	1750	1679	1789	1747	1883	2039	
RE42 (H-LH)	1250	1328	1403	1559	1667	1849	1421	1521	1530	1633	1577	1682	1637	1677	1788	1713	1828	1784	1927	2089	
RE45 (H-LH)	1260	1342	1421	1581	1694	1889	1442	1545	1552	1660	1608	1716	1667	1710	1823	1747	1866	1822	1969	2139	
RE48 (H-LH)	1270	1357	1438	1606	1721	1928	1462	1569	1576	1686	1637	1750	1699	1742	1861	1781	1905	1857	2013	2191	
RE51 (H-LH) ***	1292	1384	1470	1649	1771	1991	1496	1610	1616	1733	1681	1801	1749	1793	1918	1835	1966	1915	2081	2271	
<b>REFRIDGERATOR ENCLOSURE – 93"-72" or 96"-75" H (21" UPPER) or 93"-72" (24" UPPER)</b>																					
RE36 (H-LH)	1223	1321	1414	1598	1720	1961	1447	1559	1565	1682	1645	1766	1718	1760	1889	1801	1937	1884	2050	2240	
RE39 (H-LH)	1267	1370	1469	1665	1796	2059	1503	1623	1630	1755	1720	1850	1798	1840	1979	1886	2032	1976	2159	2368	
RE42 (H-LH)	1280	1391	1494	1699	1835	2120	1531	1657	1662	1793	1764	1900	1845	1889	2035	1937	2091	2034	2225	2446	
RE45 (H-LH)	1303	1418	1526	1755	1900	2188	1567	1699	1716	1854	1816	1961	1915	1944	2115	1994	2174	2095	2298	2530	
RE48 (H-LH)	1308	1428	1543	1767	1915	2239	1589	1725	1728	1867	1854	2001	1940	1984	2144	2037	2205	2142	2352	2593	
RE51 (H-LH) ***	1335	1464	1586	1823	1979	2324	1633	1777	1782	1930	1915	2073	2006	2054	2223	2110	2288	2222	2446	2700	

"(H-LH)" Specify overall height and lower opening height

# Tall Cabinets

## TALL BOOKCASE

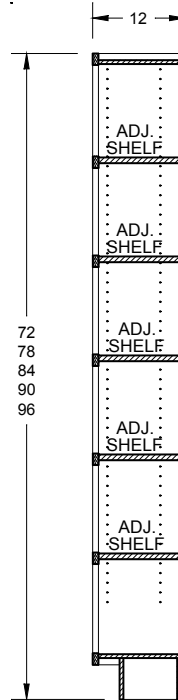
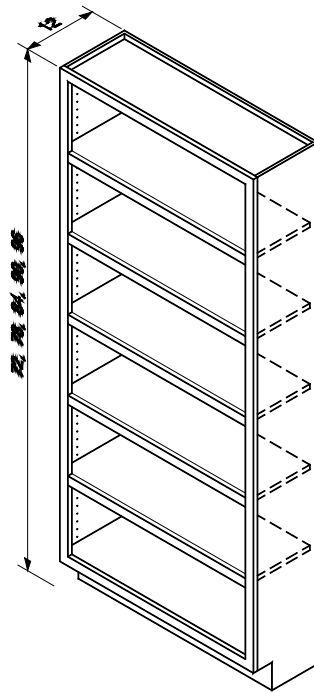
### MODIFICATION LIMITS

Width 12" – 48"  
 Height 61" – 96"  
 Depth 9" – 24"

Overall Cabinet Height	Qty of Adj. Shelves
61" – 72"	4
72-1/4" – 90"	5
90-1/4" – 96"	6

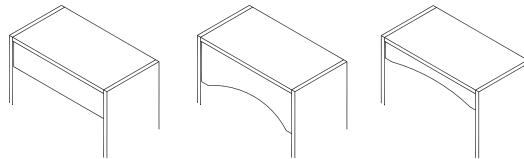
- Finished interior (FMI)
- Exterior ends not finished
- Inside of frame opening has eased edge
- Adjustable shelves have 1-1/2" H double eased front edge
- Clear locking shelf clips are installed and nickel shelf clips are sent loose
- Install between cabinets or walls to help stabilize outside stiles

- Must be secured to wall to eliminate potential injury from tipping
- Clear material used when Rustic wood species are ordered
- Width exceeds 36": PLY cabinet box required (up-charges apply)
- Width exceeds 42": max. depth is 18"
- We do not recommend storing heavy loads on cabinets over 36" W



TBC
72"   78"   84"   87"   90"   93"   96" H
TBC12__
TBC15__
TBC18__
TBC21__
TBC24__
TBC27__
TBC30__
TBC33__
TBC36__

### Optional Top Rail Valances (See Modification section)



# Tall Cabinets

	C0	C1	C2	C4	C4A	C5	C7	C7A	C9	C9A	C10	C10A	C11	C12	C12A	C13	C13A	C14	C15	C16
<b>TALL BOOKCASE - 72" H</b>																				
TBC1272	700	700	700	734	734	700	700	700	700	700	700	700	700	700	700	734	734	700	700	700
TBC1572	873	873	873	916	916	873	873	873	873	873	873	873	873	873	873	916	916	873	873	873
TBC1872	1040	1040	1040	1089	1089	1040	1040	1040	1040	1040	1040	1040	1040	1040	1040	1089	1089	1040	1040	1040
TBC2172	1204	1204	1204	1264	1264	1204	1204	1204	1204	1204	1204	1204	1204	1204	1204	1264	1264	1204	1204	1204
TBC2472	1370	1370	1370	1437	1437	1370	1370	1370	1370	1370	1370	1370	1370	1370	1370	1437	1437	1370	1370	1370
TBC2772	1537	1537	1537	1610	1610	1537	1537	1537	1537	1537	1537	1537	1537	1537	1537	1610	1610	1537	1537	1537
TBC3072	1701	1701	1701	1784	1784	1701	1701	1701	1701	1701	1701	1701	1701	1701	1701	1784	1784	1701	1701	1701
TBC3372	1867	1867	1867	1959	1959	1867	1867	1867	1867	1867	1867	1867	1867	1867	1867	1959	1959	1867	1867	1867
TBC3672	2034	2034	2034	2132	2132	2034	2034	2034	2034	2034	2034	2034	2034	2034	2034	2132	2132	2034	2034	2034
<b>TALL BOOKCASE - 78" H</b>																				
TBC1278	758	758	758	794	794	758	758	758	758	758	758	758	758	758	758	794	794	758	758	758
TBC1578	945	945	945	990	990	945	945	945	945	945	945	945	945	945	945	990	990	945	945	945
TBC1878	1124	1124	1124	1179	1179	1124	1124	1124	1124	1124	1124	1124	1124	1124	1124	1179	1179	1124	1124	1124
TBC2178	1304	1304	1304	1367	1367	1304	1304	1304	1304	1304	1304	1304	1304	1304	1304	1367	1367	1304	1304	1304
TBC2478	1484	1484	1484	1557	1557	1484	1484	1484	1484	1484	1484	1484	1484	1484	1484	1557	1557	1484	1484	1484
TBC2778	1664	1664	1664	1743	1743	1664	1664	1664	1664	1664	1664	1664	1664	1664	1664	1743	1743	1664	1664	1664
TBC3078	1844	1844	1844	1933	1933	1844	1844	1844	1844	1844	1844	1844	1844	1844	1844	1933	1933	1844	1844	1844
TBC3378	2023	2023	2023	2122	2122	2023	2023	2023	2023	2023	2023	2023	2023	2023	2023	2122	2122	2023	2023	2023
TBC3678	2201	2201	2201	2310	2310	2201	2201	2201	2201	2201	2201	2201	2201	2201	2201	2310	2310	2201	2201	2201
<b>TALL BOOKCASE - 84" H</b>																				
TBC1284	816	816	816	855	855	816	816	816	816	816	816	816	816	816	816	855	855	816	816	816
TBC1584	1018	1018	1018	1067	1067	1018	1018	1018	1018	1018	1018	1018	1018	1018	1018	1067	1067	1018	1018	1018
TBC1884	1211	1211	1211	1269	1269	1211	1211	1211	1211	1211	1211	1211	1211	1211	1211	1269	1269	1211	1211	1211
TBC2184	1404	1404	1404	1472	1472	1404	1404	1404	1404	1404	1404	1404	1404	1404	1404	1472	1472	1404	1404	1404
TBC2484	1598	1598	1598	1676	1676	1598	1598	1598	1598	1598	1598	1598	1598	1598	1598	1676	1676	1598	1598	1598
TBC2784	1791	1791	1791	1877	1877	1791	1791	1791	1791	1791	1791	1791	1791	1791	1791	1877	1877	1791	1791	1791
TBC3084	1984	1984	1984	2081	2081	1984	1984	1984	1984	1984	1984	1984	1984	1984	1984	2081	2081	1984	1984	1984
TBC3384	2178	2178	2178	2285	2285	2178	2178	2178	2178	2178	2178	2178	2178	2178	2178	2285	2285	2178	2178	2178
TBC3684	2371	2371	2371	2486	2486	2371	2371	2371	2371	2371	2371	2371	2371	2371	2371	2486	2486	2371	2371	2371
<b>TALL BOOKCASE - 87" or 90" H</b>																				
TBC12(H)	870	870	870	912	912	870	870	870	870	870	870	870	870	870	870	912	912	870	870	870
TBC15(H)	1085	1085	1085	1138	1138	1085	1085	1085	1085	1085	1085	1085	1085	1085	1085	1138	1138	1085	1085	1085
TBC18(H)	1294	1294	1294	1357	1357	1294	1294	1294	1294	1294	1294	1294	1294	1294	1294	1357	1357	1294	1294	1294
TBC21(H)	1501	1501	1501	1574	1574	1501	1501	1501	1501	1501	1501	1501	1501	1501	1501	1574	1574	1501	1501	1501
TBC24(H)	1708	1708	1708	1791	1791	1708	1708	1708	1708	1708	1708	1708	1708	1708	1708	1791	1791	1708	1708	1708
TBC27(H)	1916	1916	1916	2010	2010	1916	1916	1916	1916	1916	1916	1916	1916	1916	1916	2010	2010	1916	1916	1916
TBC30(H)	2123	2123	2123	2227	2227	2123	2123	2123	2123	2123	2123	2123	2123	2123	2123	2227	2227	2123	2123	2123
TBC33(H)	2330	2330	2330	2444	2444	2330	2330	2330	2330	2330	2330	2330	2330	2330	2330	2444	2444	2330	2330	2330
TBC36(H)	2537	2537	2537	2661	2661	2537	2537	2537	2537	2537	2537	2537	2537	2537	2537	2661	2661	2537	2537	2537
<b>TALL BOOKCASE - 93" or 96" H</b>																				
TBC12(H)	926	926	926	970	970	926	926	926	926	926	926	926	926	926	926	970	970	926	926	926
TBC15(H)	1155	1155	1155	1211	1211	1155	1155	1155	1155	1155	1155	1155	1155	1155	1155	1211	1211	1155	1155	1155
TBC18(H)	1377	1377	1377	1443	1443	1377	1377	1377	1377	1377	1377	1377	1377	1377	1377	1443	1443	1377	1377	1377
TBC21(H)	1598	1598	1598	1676	1676	1598	1598	1598	1598	1598	1598	1598	1598	1598	1598	1676	1676	1598	1598	1598
TBC24(H)	1818	1818	1818	1906	1906	1818	1818	1818	1818	1818	1818	1818	1818	1818	1818	1906	1906	1818	1818	1818
TBC27(H)	2040	2040	2040	2140	2140	2040	2040	2040	2040	2040	2040	2040	2040	2040	2040	2140	2140	2040	2040	2040
TBC30(H)	2261	2261	2261	2371	2371	2261	2261	2261	2261	2261	2261	2261	2261	2261	2261	2371	2371	2261	2261	2261
TBC33(H)	2481	2481	2481	2603	2603	2481	2481	2481	2481	2481	2481	2481	2481	2481	2481	2603	2603	2481	2481	2481
TBC36(H)	2703	2703	2703	2836	2836	2703	2703	2703	2703	2703	2703	2703	2703	2703	2703	2836	2836	2703	2703	2703

"(H)" Specify overall height

# Tall Cabinets

\* L or R required

## TALL BOOKCASE FULL DOOR

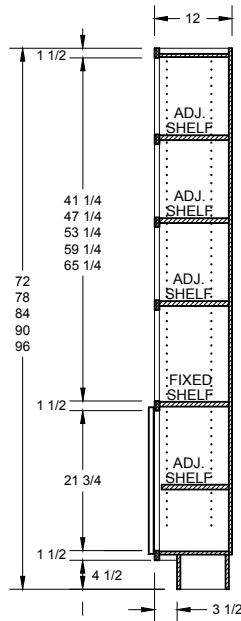
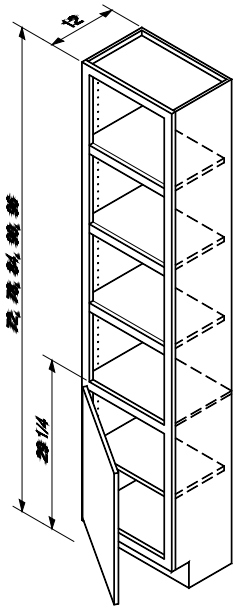
Overall Cabinet Height	Qty of Adj. Shelves
43" – 48"	0
48-1/4" – 60"	1
60-1/4" – 72"	2
72-1/4" – 84"	3
84-1/4" – 96"	4

- Finished interior (FMI)
- Exterior ends not finished
- Inside of frame opening has eased edge
- Adjustable shelves have 1-1/2" H double eased front edge
- Lower section has same size door as Full Vanity (FV)
- One adjustable shelf in lower section
- Height reductions made to upper section
- Clear locking shelf clips are installed and nickel shelf clips are sent loose

- Install between cabinets or walls to help stabilize outside stiles
- Must be secured to wall to eliminate potential injury from tipping
- Width exceeds 36": PLY cabinet box is required (up-charges apply)
- Width exceeds 42": max. depth is 18"
- We do not recommend storing heavy loads on cabinets over 36" W

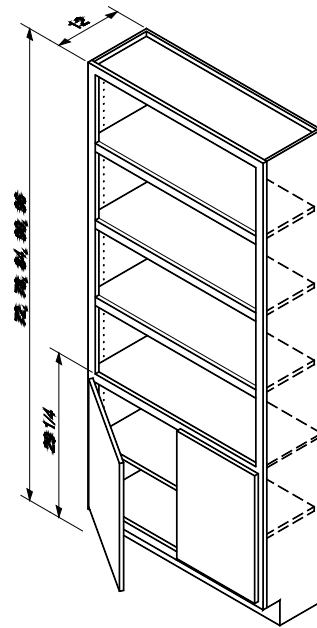
### MODIFICATION LIMITS

Width 12" – 24"  
 Height 43" – 96"  
 Depth 9" – 24"



### MODIFICATION LIMITS

Width 18" – 48" (21" min. for Inset)  
 Height 43" – 96"  
 Depth 9" – 24" (18" max if over 42"W)



#### TBCF1DR

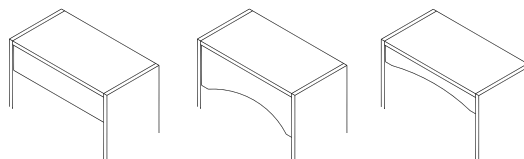
72" | 78" | 84" | 87"  
 90" | 93" | 96" H  
 TBCF12\_\_\*  
 TBCF15\_\_\*  
 TBCF18\_\_\*  
 TBCF21\_\_\*  
 TBCF24\_\_\*

#### TBCF2DR

72" | 78" | 84" | 87"  
 90" | 93" | 96" H  
 TBCF24\_\_DD  
 TBCF27\_\_  
 TBCF30\_\_  
 TBCF33\_\_  
 TBCF36\_\_

### Optional Top Rail Valances

(See Modification section)



# Tall Cabinets

\* L or R required

	C0	C1	C2	C4	C4A	C5	C7	C7A	C9	C9A	C10	C10A	C11	C12	C12A	C13	C13A	C14	C15	C16
<b>TALL BOOKCASE FULL DOORS - 72" H</b>																				
TBCF1272*	884	906	933	1040	1040	1124	933	933	992	992	1004	1004	1024	1041	1041	1092	1092	1092	1162	1240
TBCF1572*	1070	1097	1130	1255	1255	1350	1133	1133	1196	1196	1208	1208	1241	1258	1258	1319	1319	1314	1392	1481
TBCF1872*	1252	1282	1318	1459	1459	1569	1326	1326	1392	1392	1406	1406	1450	1465	1465	1537	1537	1530	1616	1715
TBCF2172*	1430	1465	1508	1665	1665	1786	1518	1518	1587	1587	1603	1603	1655	1672	1672	1755	1755	1742	1837	1944
TBCF2472*	1610	1652	1698	1872	1872	2005	1711	1711	1786	1786	1805	1805	1864	1883	1883	1974	1974	1959	2061	2178
TBCF2472DD	1620	1674	1735	1933	1933	2081	1747	1747	1842	1842	1862	1862	1910	1944	1944	2039	2039	2030	2144	2274
TBCF2772	1799	1861	1923	2137	2137	2300	1940	1940	2039	2039	2059	2059	2118	2151	2151	2254	2254	2242	2368	2508
TBCF3072	1978	2044	2112	2342	2342	2517	2132	2132	2234	2234	2254	2254	2325	2357	2357	2474	2474	2456	2588	2737
TBCF3372	2157	2227	2301	2549	2549	2736	2324	2324	2430	2430	2456	2456	2532	2568	2568	2695	2695	2673	2812	2973
TBCF3672	2337	2413	2491	2754	2754	2954	2517	2517	2627	2627	2661	2661	2742	2775	2775	2910	2910	2887	3036	3207
<b>TALL BOOKCASE FULL DOORS - 78" H</b>																				
TBCF1278*	941	963	990	1099	1099	1182	990	990	1050	1050	1062	1062	1082	1099	1099	1152	1152	1150	1219	1297
TBCF1578*	1141	1169	1201	1330	1330	1421	1204	1204	1267	1267	1279	1279	1313	1330	1330	1394	1394	1386	1464	1552
TBCF1878*	1336	1367	1403	1548	1548	1654	1411	1411	1477	1477	1491	1491	1535	1550	1550	1626	1626	1615	1701	1799
TBCF2178*	1530	1565	1608	1769	1769	1886	1618	1618	1688	1688	1703	1703	1755	1772	1772	1859	1859	1842	1937	2044
TBCF2478*	1723	1766	1811	1993	1993	2118	1825	1825	1900	1900	1918	1918	1978	1996	1996	2095	2095	2073	2174	2291
TBCF2478DD	1733	1788	1849	2054	2054	2195	1861	1861	1955	1955	1976	1976	2023	2057	2057	2159	2159	2144	2257	2388
TBCF2778	1927	1988	2050	2271	2271	2427	2067	2067	2166	2166	2186	2186	2246	2278	2278	2388	2388	2369	2495	2636
TBCF3078	2120	2186	2254	2491	2491	2659	2274	2274	2376	2376	2396	2396	2468	2500	2500	2624	2624	2598	2731	2880
TBCF3378	2313	2383	2458	2712	2712	2892	2480	2480	2586	2586	2612	2612	2688	2724	2724	2858	2858	2829	2968	3129
TBCF3678	2505	2581	2659	2932	2932	3122	2685	2685	2795	2795	2829	2829	2910	2943	2943	3088	3088	3054	3204	3375
<b>TALL BOOKCASE FULL DOORS - 84" H</b>																				
TBCF1284*	999	1021	1048	1160	1160	1240	1048	1048	1107	1107	1119	1119	1140	1157	1157	1213	1213	1208	1277	1355
TBCF1584*	1214	1241	1274	1406	1406	1494	1277	1277	1340	1340	1352	1352	1386	1403	1403	1470	1470	1459	1537	1625
TBCF1884*	1423	1453	1489	1638	1638	1740	1498	1498	1564	1564	1577	1577	1621	1637	1637	1716	1716	1701	1788	1886
TBCF2184*	1630	1665	1708	1874	1874	1986	1718	1718	1788	1788	1803	1803	1855	1872	1872	1964	1964	1942	2037	2144
TBCF2484*	1837	1879	1925	2112	2112	2232	1939	1939	2013	2013	2032	2032	2091	2110	2110	2213	2213	2186	2288	2405
TBCF2484DD	1847	1901	1962	2173	2173	2308	1974	1974	2069	2069	2089	2089	2137	2171	2171	2278	2278	2257	2371	2502
TBCF2784	2054	2115	2178	2405	2405	2554	2195	2195	2293	2293	2313	2313	2373	2405	2405	2522	2522	2497	2622	2763
TBCF3084	2261	2327	2395	2639	2639	2800	2415	2415	2517	2517	2537	2537	2608	2641	2641	2771	2771	2739	2871	3021
TBCF3384	2468	2537	2612	2875	2875	3046	2634	2634	2741	2741	2766	2766	2842	2878	2878	3021	3021	2983	3122	3283
TBCF3684	2675	2751	2829	3109	3109	3292	2854	2854	2965	2965	2999	2999	3080	3112	3112	3265	3265	3224	3373	3545
<b>TALL BOOKCASE FULL DOORS - 87" or 90" H</b> "(H)" Specify overall height																				
TBCF12(H)*	1053	1075	1102	1218	1218	1294	1102	1102	1162	1162	1174	1174	1194	1211	1211	1270	1270	1262	1331	1409
TBCF15(H)*	1282	1309	1342	1477	1477	1562	1345	1345	1408	1408	1420	1420	1453	1470	1470	1542	1542	1526	1604	1693
TBCF18(H)*	1506	1537	1572	1727	1727	1823	1581	1581	1647	1647	1660	1660	1704	1720	1720	1805	1805	1784	1871	1969
TBCF21(H)*	1727	1762	1805	1976	1976	2083	1815	1815	1884	1884	1900	1900	1952	1969	1969	2066	2066	2039	2134	2240
TBCF2490*	1947	1989	2035	2227	2227	2342	2049	2049	2123	2123	2142	2142	2201	2220	2220	2329	2329	2296	2398	2515
TBCF24(H)DD	1957	2011	2073	2288	2288	2418	2084	2084	2179	2179	2200	2200	2247	2281	2281	2393	2393	2368	2481	2612
TBCF27(H)	2179	2240	2303	2537	2537	2680	2320	2320	2418	2418	2439	2439	2498	2530	2530	2654	2654	2622	2748	2888
TBCF30(H)	2400	2466	2534	2785	2785	2939	2554	2554	2656	2656	2676	2676	2748	2780	2780	2917	2917	2878	3010	3160
TBCF33(H)	2620	2690	2764	3034	3034	3199	2787	2787	2893	2893	2919	2919	2995	3031	3031	3180	3180	3136	3275	3436
TBCF36(H)	2841	2917	2995	3283	3283	3458	3021	3021	3131	3131	3165	3165	3246	3278	3278	3439	3439	3390	3540	3711
<b>TALL BOOKCASE FULL DOORS - 93" or 96" H</b> "(H)" Specify overall height																				
TBCF12(H)*	1109	1131	1158	1275	1275	1350	1158	1158	1218	1218	1230	1230	1250	1267	1267	1328	1328	1318	1387	1465
TBCF15(H)*	1352	1379	1411	1550	1550	1632	1414	1414	1477	1477	1489	1489	1523	1540	1540	1615	1615	1596	1674	1762
TBCF18(H)*	1589	1620	1655	1813	1813	1906	1664	1664	1730	1730	1743	1743	1788	1803	1803	1891	1891	1867	1954	2052
TBCF21(H)*	1823	1859	1901	2078	2078	2179	1911	1911	1981	1981	1996	1996	2049	2066	2066	2167	2167	2135	2230	2337
TBCF24(H)*	2057	2100	2145	2342	2342	2452	2159	2159	2234	2234	2252	2252	2312	2330	2330	2444	2444	2407	2508	2625
TBCF24(H)DD	2067	2122	2183	2403	2403	2529	2195	2195	2290	2290	2310	2310	2357	2391	2391	2508	2508	2478	2591	2722
TBCF27(H)	2303	2364	2427	2668	2668	2803	2444	2444	2542	2542	2563	2563	2622	2654	2654	2785	2785	2746	2871	3012
TBCF30(H)	2537	2603	2671	2929	2929	3077	2692	2692	2793	2793	2814	2814	2885	2917	2917	3061	3061	3015	3148	3297
TBCF33(H)	2771	2841	2915	3194	3194	3350	2937	2937	3044	3044	3070	3070	3146	3182	3182	3339	3339	3287	3426	3587
TBCF36(H)	3007	3083	3161	3458	3458	3624	3187	3187	3297	3297	3331	3331	3412	3445	3445	3614	3614	3557	3706	3877

# Tall Cabinets

## PANTRY END ANGLE

### MODIFICATION LIMITS

Width No Width Mods  
 Height 66" – 96"  
 Depth No Depth Mods

Overall Cabinet Height	Qty of Adj. Shelves
66" – 90"	5
90-1/4" – 96"	6

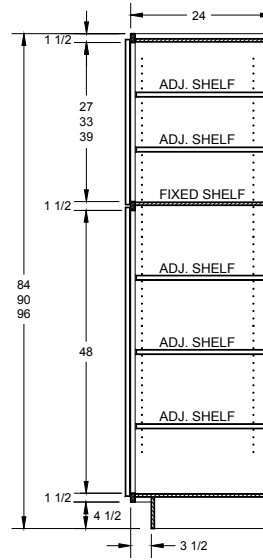
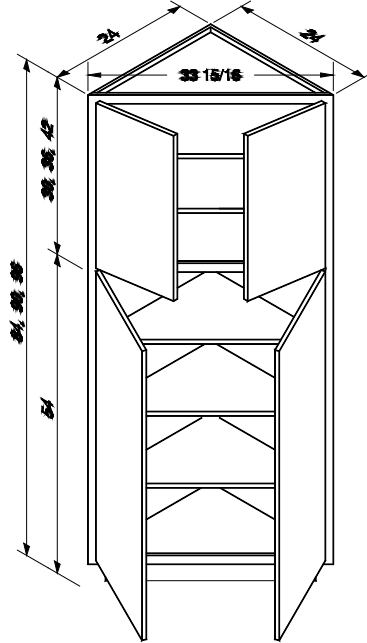
PEA

84" | 87" | 90" | 93" | 96" H

PEA24\_\_

- Door heights match pantry cabinet
- Ends (backs) will not accept end panels
- Height reductions made to upper section
- Extended stile modification not available

- Configuration for lower doors varies by style – refer to General Section for details
- Cabinets over 90" tall receive a loose Toekick



## UTILITY END ANGLE

### MODIFICATION LIMITS

Width No Width Mods  
 Height 78" – 96"  
 Depth No Depth Mods

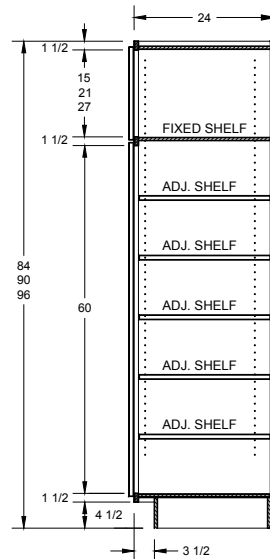
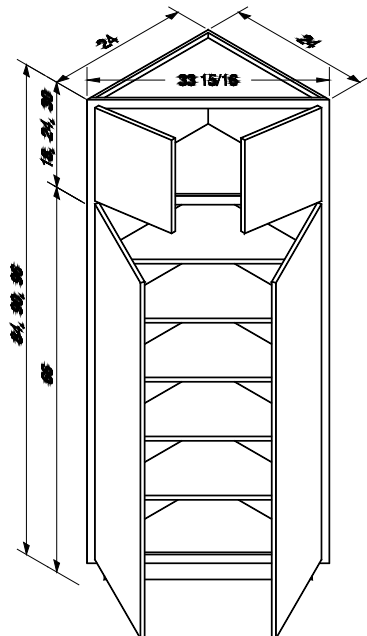
Overall Cabinet Height	Qty of Adj. Shelves
78" – 90"	5
90-1/4" – 96"	6

UEA

84" | 87" | 90" | 93" | 96" H

UEA24\_\_

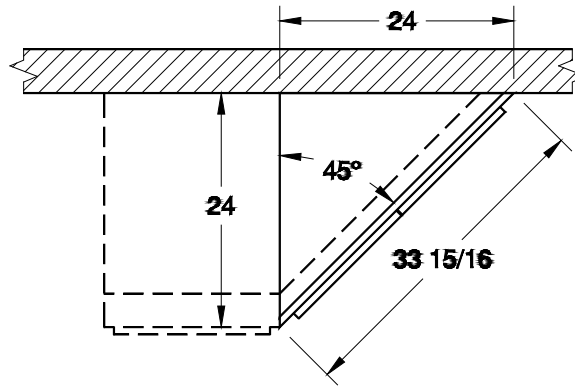
- See notes above
- Door heights match utility cabinet



# Tall Cabinets

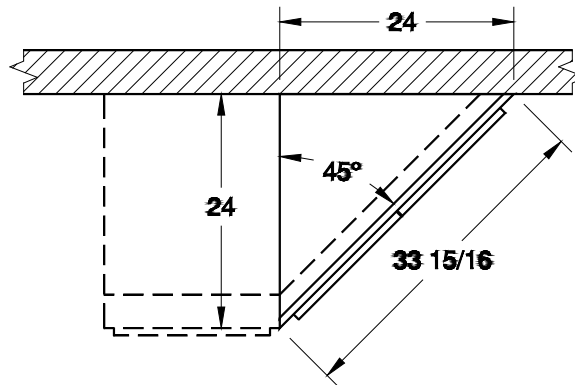
	C0	C1	C2	C4	C4A	C5	C7	C7A	C9	C9A	C10	C10A	C11	C12	C12A	C13	C13A	C14	C15	C16	
<b>PANTRY END ANGLE</b>																					
PEA2484	1433	1664	1777	2025	2123	2953	1928	2022	1930	2025	2305	2418	2318	2386	2503	2503	2625	2737	3840	4484	
PEA2487	1460	1706	1827	2081	2183	3112	1986	2083	1984	2081	2396	2513	2444	2515	2639	2639	2768	2885	4047	4727	
PEA2490	1460	1706	1827	2081	2183	3112	1986	2083	1984	2081	2396	2513	2444	2515	2639	2639	2768	2885	4047	4727	
PEA2493	1511	1772	1910	2181	2288	3238	2066	2167	2079	2181	2524	2647	2542	2617	2746	2746	2882	3002	4298	5020	
PEA2496	1511	1772	1910	2181	2288	3238	2066	2167	2079	2181	2524	2647	2542	2617	2746	2746	2882	3002	4298	5020	

Top View



	C0	C1	C2	C4	C4A	C5	C7	C7A	C9	C9A	C10	C10A	C11	C12	C12A	C13	C13A	C14	C15	C16	
<b>UTILITY END ANGLE</b>																					
UEA2484	1433	1664	1777	2025	2123	2953	1928	2022	1930	2025	2305	2418	2318	2386	2503	2503	2625	2737	3840	4484	
UEA2487	1460	1706	1827	2081	2183	3112	1986	2083	1984	2081	2396	2513	2444	2515	2639	2639	2768	2885	4047	4727	
UEA2490	1460	1706	1827	2081	2183	3112	1986	2083	1984	2081	2396	2513	2444	2515	2639	2639	2768	2885	4047	4727	
UEA2493	1511	1772	1910	2181	2288	3238	2066	2167	2079	2181	2524	2647	2542	2617	2746	2746	2882	3002	4298	5020	
UEA2496	1511	1772	1910	2181	2288	3238	2066	2167	2079	2181	2524	2647	2542	2617	2746	2746	2882	3002	4298	5020	

Top View



# Tall Cabinets

## PANTRY END CABINET

### MODIFICATION LIMITS

Width No Width Mods  
 Height 66" – 96"  
 Depth No Depth Mods

Overall Cabinet Height	Qty of Adj. Shelves
66" – 90"	5
90-1/4" – 96"	6

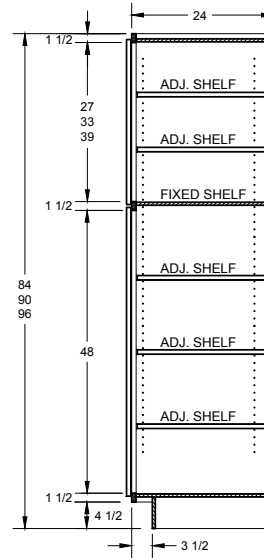
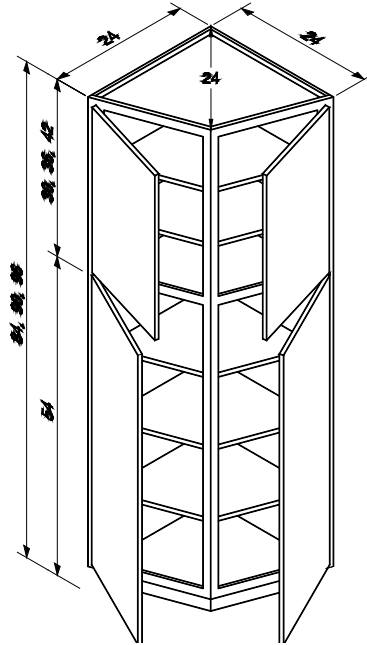
PEC

84" | 87" | 90" | 93" | 96" H

PEC24\_\_

- Door heights match pantry cabinet
- Ends (backs) will not accept end panels
- Height reductions made to upper section
- Extended stile modification not available

- Configuration for lower doors varies by style – refer to General Section for details
- Cabinets over 90" tall receive a loose Toekick



## UTILITY END CABINET

### MODIFICATION LIMITS

Width No Width Mods  
 Height 78" – 96"  
 Depth No Depth Mods

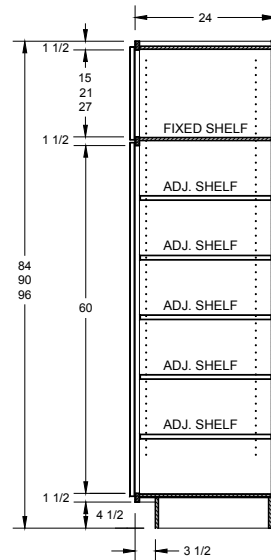
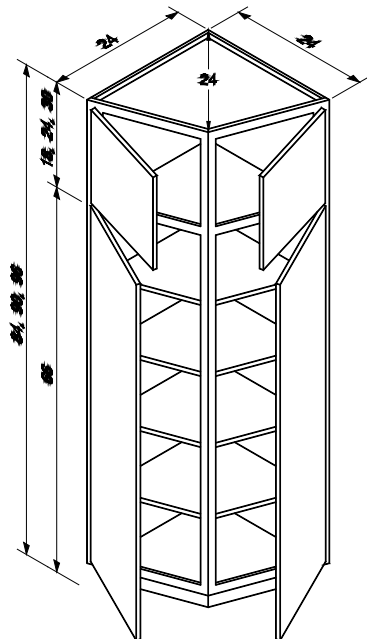
Overall Cabinet Height	Qty of Adj. Shelves
78" – 90"	5
90-1/4" – 96"	6

UEC

84" | 87" | 90" | 93" | 96" H

UEC24\_\_

- See notes above
- Door heights match utility cabinet

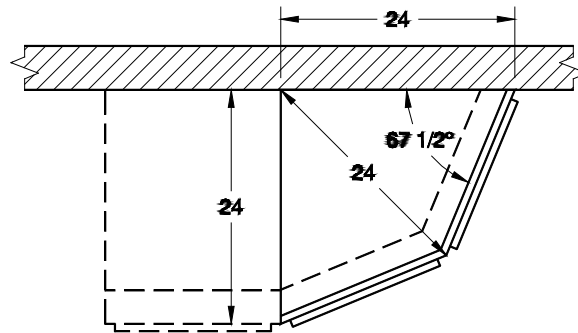




# Tall Cabinets

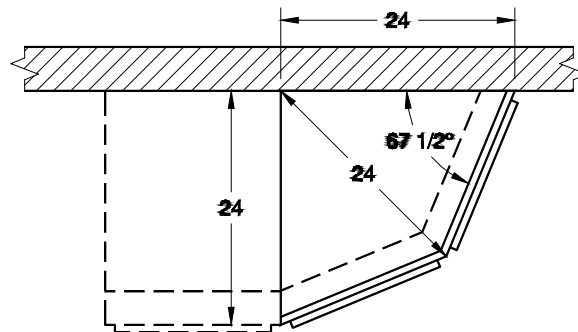
	C0	C1	C2	C4	C4A	C5	C7	C7A	C9	C9A	C10	C10A	C11	C12	C12A	C13	C13A	C14	C15	C16	
<b>PANTRY END CABINET</b>																					
PEC2484	1506	1749	1872	2196	2303	3224	2025	2123	2095	2196	2459	2580	2530	2605	2732	2732	2866	2988	4194	4900	
PEC2487	1542	1791	1922	2257	2368	3353	2083	2184	2152	2257	2556	2681	2630	2709	2841	2842	2982	3107	4421	5164	
PEC2490	1542	1791	1922	2257	2368	3353	2083	2184	2152	2257	2556	2681	2630	2709	2841	2842	2982	3107	4421	5164	
PEC2493	1606	1866	2006	2364	2480	3538	2174	2281	2254	2364	2688	2820	2776	2858	2999	2997	3144	3278	4695	5485	
PEC2496	1606	1866	2006	2364	2480	3538	2174	2281	2254	2364	2688	2820	2776	2858	2999	2997	3144	3278	4695	5485	

Top View



	C0	C1	C2	C4	C4A	C5	C7	C7A	C9	C9A	C10	C10A	C11	C12	C12A	C13	C13A	C14	C15	C16	
<b>UTILITY END CABINET</b>																					
UEC2484	1506	1749	1872	2196	2303	3224	2025	2123	2095	2196	2459	2580	2530	2605	2732	2732	2866	2988	4194	4900	
UEC2487	1542	1791	1922	2257	2368	3353	2083	2184	2152	2257	2556	2681	2630	2709	2841	2842	2982	3107	4421	5164	
UEC2490	1542	1791	1922	2257	2368	3353	2083	2184	2152	2257	2556	2681	2630	2709	2841	2842	2982	3107	4421	5164	
UEC2493	1606	1866	2006	2364	2480	3538	2174	2281	2254	2364	2688	2820	2776	2858	2999	2997	3144	3278	4695	5485	
UEC2496	1606	1866	2006	2364	2480	3538	2174	2281	2254	2364	2688	2820	2776	2858	2999	2997	3144	3278	4695	5485	

Top View



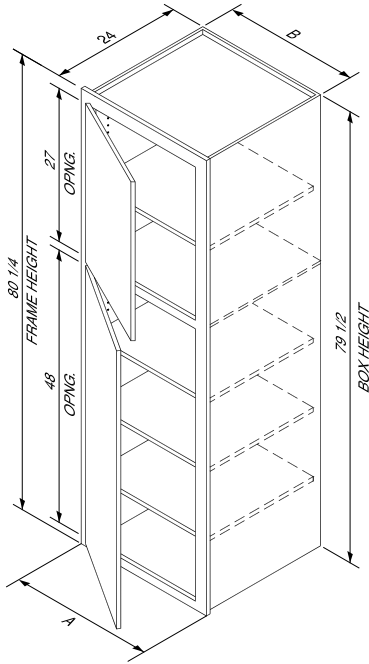
# Tall Cabinets

\* L or R required

## SLIP-IN LINEN

### MODIFICATION LIMITS

Width 12" – 24"  
 Height 62" – 92"  
 Depth 9" – 30"



- Four adjustable shelves
- No Toekick (loose or installed)
- Height reductions made to upper section
- Configuration for lower doors varies by style – refer to General Section for details

- Frame is 1-1/2" wider than callout width
- 2-1/4" stiles and 2-1/4" top rail extends 1-1/8" beyond each side of box and 3/4" above top (see image and chart)
- Box = 79-1/2" H, Frame = 80-1/4" H
- Bottom rail is 1-1/2" high
- Callout dimensions for W & H are nominal for both standard and modified sizes (ex: SIL1880 – RW to 16" and IH to 83" means box and frame width reduces by 2" and height increases by 3" from standard)

SIL2DR	Dimension A Frame Width	Dimension B Box Width
SIL1580*	16-1/2"	14-1/4"
SIL1880*	19-1/2"	17-1/4"
SIL2180*	22-1/2"	20-1/4"
SIL2480*	25-1/2"	23-1/4"

## TALL END SHELF

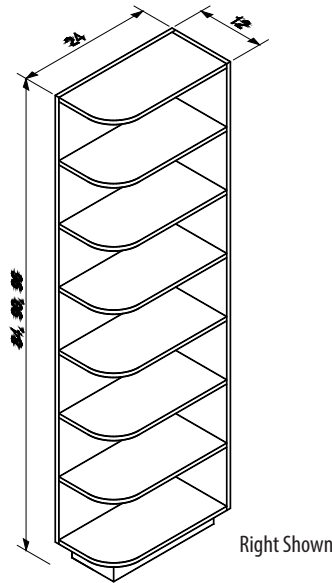
### MODIFICATION LIMITS

Width 6" – 12"  
 Height 46-1/2" – 96"  
 Depth 12" – 30"

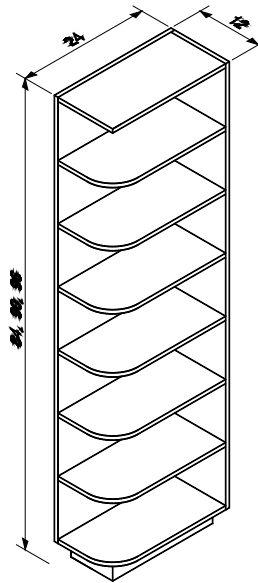
Overall Cabinet Height	Qty Usable Shelves
46-1/2" – 83-3/4"	varies 4 - 6
84" – 90"	7
90-1/4" – 96"	8

- 3/4" frameless construction finished to match frame on adjoining cabinets
- Right or Left determined by side of cabinet end shelf is to be applied to
- If height is modified the quantity of shelves will change

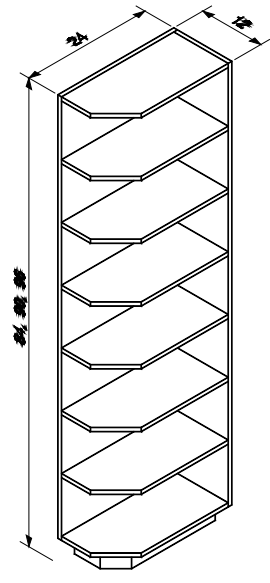
- Clearance between shelves ranges from a minimum of 8" to a maximum of 13"
- Loose Toekick is standard on 96" tall cabinets
- Clear material used when Rustic wood species are ordered



TESR (ROUND)  
 84" | 87" | 90" | 93" | 96" H  
 TESR12\_\_\*



TESRS (RADIUS, SQ-TOP)  
 84" | 87" | 90" | 93" | 96" H  
 TESRS12\_\_S\*



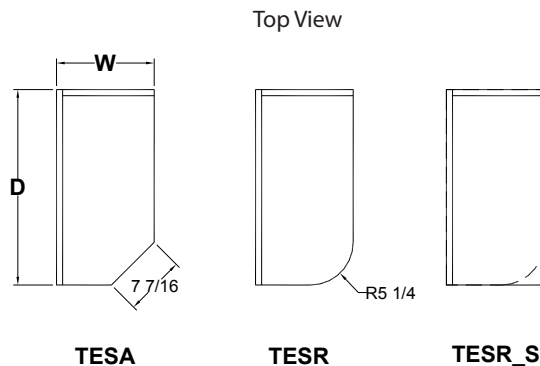
TESA (ANGLE)  
 84" | 87" | 90" | 93" | 96" H  
 TESA12\_\_\*

# Tall Cabinets

\* L or R required

	C0	C1	C2	C4	C4A	C5	C7	C7A	C9	C9A	C10	C10A	C11	C12	C12A	C13	C13A	C14	C15	C16
<b>SLIP-IN LINEN</b>																				
<b>SIL1580*</b>	892	1063	1216	1518	1584	2120	1333	1392	1448	1511	1570	1632	1667	1716	1764	1799	1850	1966	2301	2685
<b>SIL1880*</b>	945	1143	1323	1657	1728	2354	1465	1530	1581	1649	1757	1823	1850	1905	1957	1998	2052	2183	2554	2980
<b>SIL2180*</b>	996	1223	1430	1796	1874	2585	1598	1669	1713	1788	1944	2018	2032	2091	2151	2193	2256	2398	2807	3275
<b>SIL2480*</b>	1046	1303	1535	1935	2018	2817	1730	1806	1845	1925	2130	2210	2213	2278	2344	2390	2459	2612	3058	3570

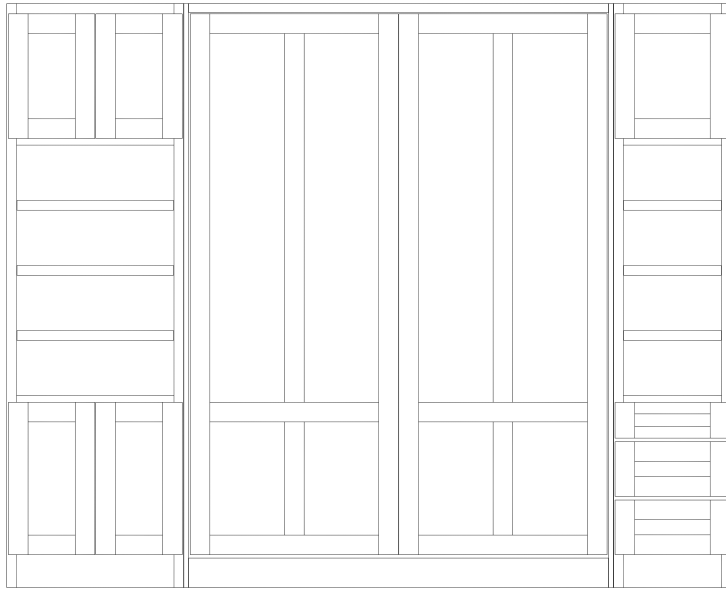
	C0	C1	C2	C4	C4A	C5	C7	C7A	C9	C9A	C10	C10A	C11	C12	C12A	C13	C13A	C14	C15	C16
<b>TALL END SHELF - RADIUS</b>																				
<b>TESR1284*</b>	1024	1024	1024	1074	1074	1024	1024	1024	1024	1024	1024	1024	1024	1024	1024	1074	1074	1024	1024	1024
<b>TESR1287*</b>	1053	1053	1053	1104	1104	1053	1053	1053	1053	1053	1053	1053	1053	1053	1053	1104	1104	1053	1053	1053
<b>TESR1290*</b>	1053	1053	1053	1104	1104	1053	1053	1053	1053	1053	1053	1053	1053	1053	1053	1104	1104	1053	1053	1053
<b>TESR1293*</b>	1118	1118	1118	1172	1172	1118	1118	1118	1118	1118	1118	1118	1118	1118	1118	1172	1172	1118	1118	1118
<b>TESR1296*</b>	1118	1118	1118	1172	1172	1118	1118	1118	1118	1118	1118	1118	1118	1118	1118	1172	1172	1118	1118	1118
<b>TALL END SHELF - RADIUS, SQUARE TOP</b>																				
<b>TESR1284S*</b>	1024	1024	1024	1074	1074	1024	1024	1024	1024	1024	1024	1024	1024	1024	1024	1074	1074	1024	1024	1024
<b>TESR1287S*</b>	1053	1053	1053	1104	1104	1053	1053	1053	1053	1053	1053	1053	1053	1053	1053	1104	1104	1053	1053	1053
<b>TESR1290S*</b>	1053	1053	1053	1104	1104	1053	1053	1053	1053	1053	1053	1053	1053	1053	1053	1104	1104	1053	1053	1053
<b>TESR1293S*</b>	1118	1118	1118	1172	1172	1118	1118	1118	1118	1118	1118	1118	1118	1118	1118	1172	1172	1118	1118	1118
<b>TESR1296S*</b>	1118	1118	1118	1172	1172	1118	1118	1118	1118	1118	1118	1118	1118	1118	1118	1172	1172	1118	1118	1118
<b>TALL END SHELF - ANGLE</b>																				
<b>TESA1284*</b>	1024	1024	1024	1074	1074	1024	1024	1024	1024	1024	1024	1024	1024	1024	1024	1074	1074	1024	1024	1024
<b>TESA1287*</b>	1053	1053	1053	1104	1104	1053	1053	1053	1053	1053	1053	1053	1053	1053	1053	1104	1104	1053	1053	1053
<b>TESA1290*</b>	1053	1053	1053	1104	1104	1053	1053	1053	1053	1053	1053	1053	1053	1053	1053	1104	1104	1053	1053	1053
<b>TESA1293*</b>	1118	1118	1118	1172	1172	1118	1118	1118	1118	1118	1118	1118	1118	1118	1118	1172	1172	1118	1118	1118
<b>TESA1296*</b>	1118	1118	1118	1172	1172	1118	1118	1118	1118	1118	1118	1118	1118	1118	1118	1172	1172	1118	1118	1118



# Tall Cabinets

<< Intentionally Blank >>

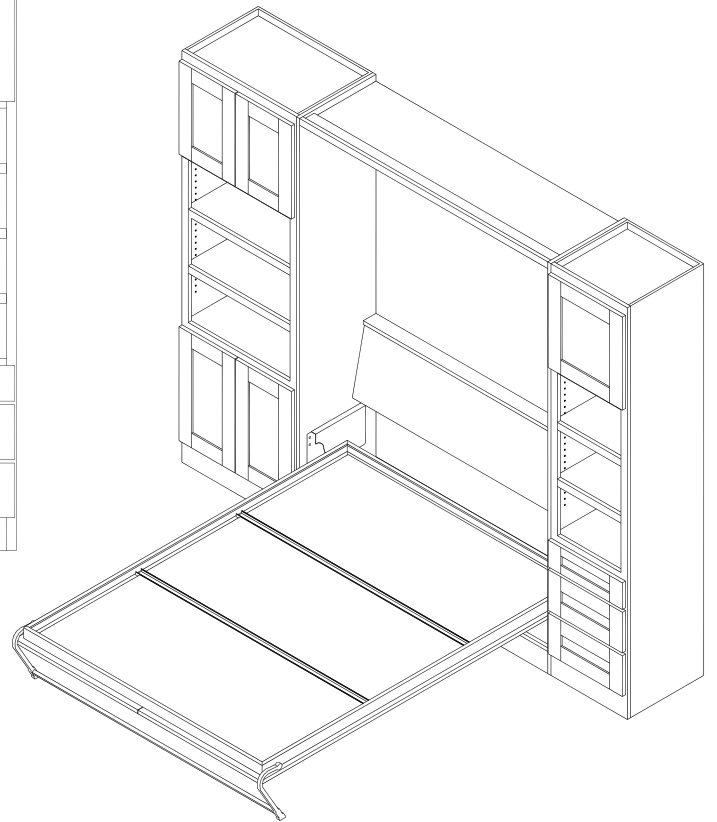
# Wall Beds and Wardrobes



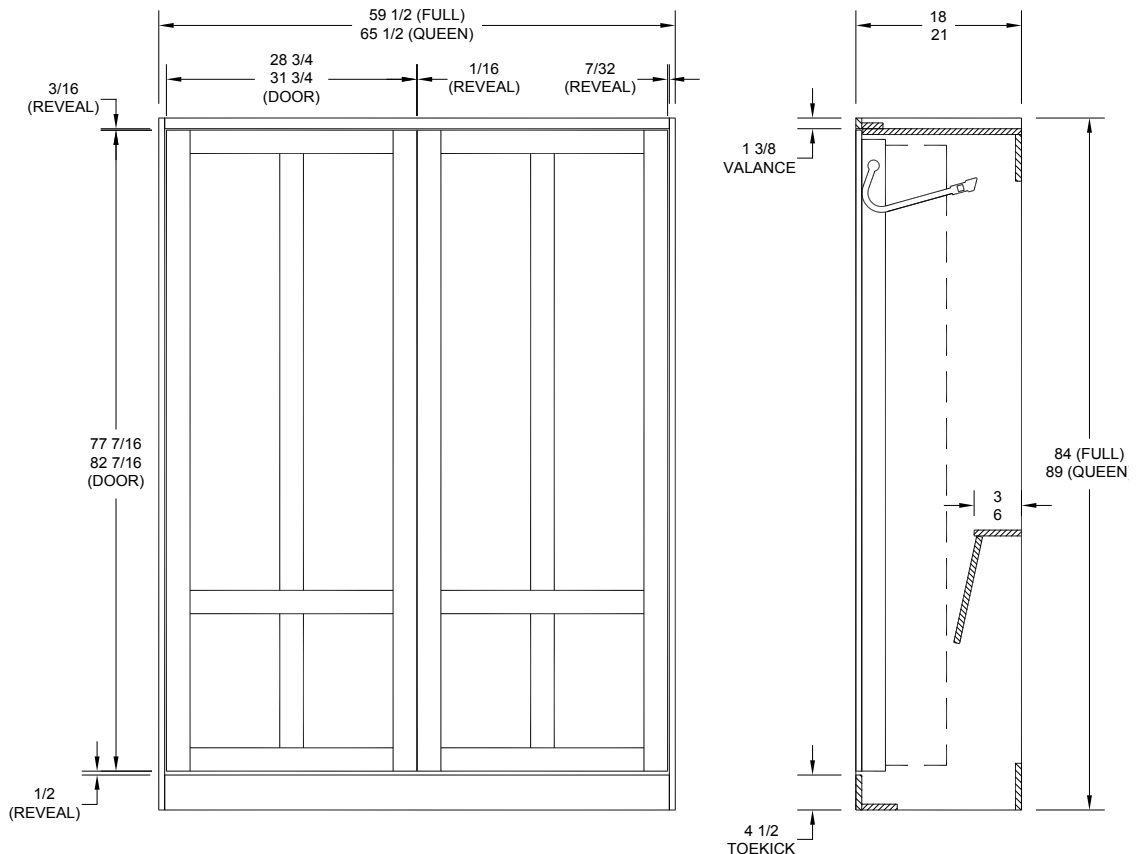
Wardrobe (WSFOT)

Wall Bed (WB)

Wardrobe (WS30T)



## Wall Bed - Door Configuration & Reveals



# Wall Beds and Wardrobes

## GENERAL INFORMATION

### Bed frames with Murphy Wall Bed hardware

- Mattress not included

### Wardrobe Storage Cabinets

- Variety of configurations available to complement wall beds

### Bed Case

- Full-size: 59-1/2" W x 84" H x 18" or 21" D
- Queen-size: 65-1/2" W x 89" H x 18" or 21" D
- Frameless construction with open back
- 3/4" thick plywood substrate panels, finished 2 sides

### Murphy Wall Bed Hardware

- Supreme Steel System
- Adjustable, multi-spring steel lifts on right and left side
- Fold away, heavy-duty, steel tubular legs & crossbar have black textured finish

### Bed Frame

- Fits up to a 12" thick standard Full or Queen mattress (not included)
- Four-sided, 3" steel frame with cross supports and Velcro strap
- Steel cross support bars run horizontal between frame sides
- 1/2" thick WGL Plywood support panels installed between steel supports
- Factory-assembled with doors attached

### Installation Notes

- Assembly required
- Hardware kit and installation instructions included
- Installation requires 2 people and should be performed by experienced installers
- Must secure top of bed case to wall studs

### Design Notes

- Limited door styles available (see chart below)
- Assembly fasteners are visible on exterior sides of bed case
- Order finished end treatments (loose) or adjoining wardrobe cabinetry to conceal fasteners
- Wardrobes are configured to align with doors and reveals of wall beds; may not align with our standard cabinet configurations

### Wardrobe Storage Cabinets

- Construction: Plywood and FMI only
- Flush toekick is standard on all cabinets
- **Not available:** FFE, FED, AD or NAD accessories (loose or installed)

## Door Style Availability

	Wall Beds		Wardrobe Storage Cabinets	
Door Styles	Available on following:		Available on following:	
	Aberdeen	Lynden	M&T	Mitered
	Cortina	Lynden Solid	Dover	Dover Plycore
	Cortina Solid	Monterey	Halifax	Halifax Plycore
	Dover	Quattro	Copenhagen	
	Dover Plycore	Quattro Solid	Not Available on following:	
	Emerson	Ridgecrest	Laminates	Thermofoils
	Halifax	Valley Forge	Legend	Athens
	Halifax Plycore	Valley Forge Solid	Princeton	Hanover
Overlay	Modified			
Edge Details	A, B, G, H, L, M, N & S			
Species	All wood species			

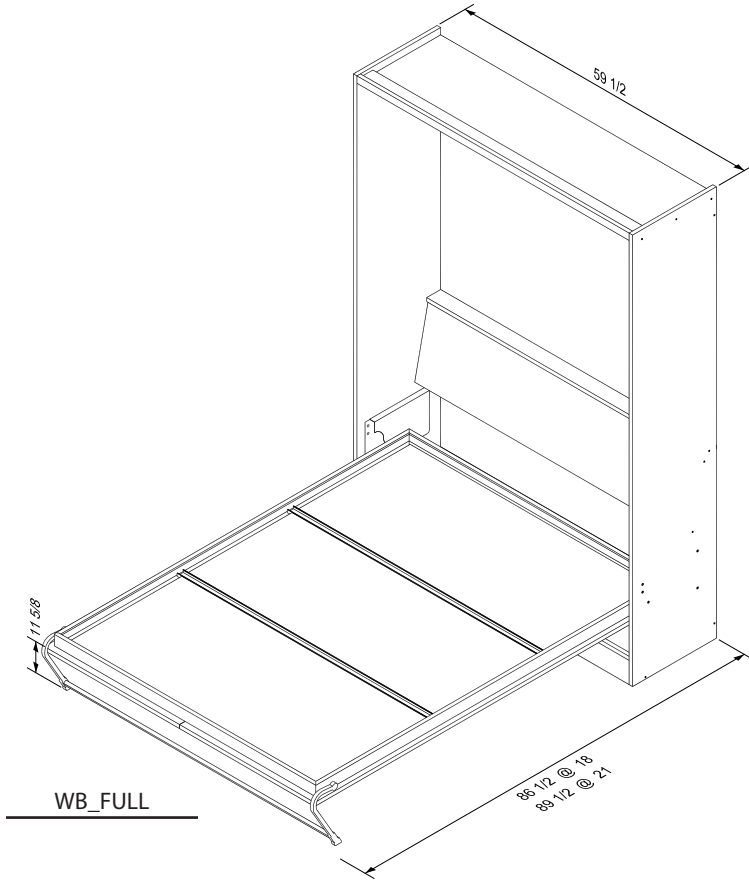
# Wall Beds and Wardrobes

## WALL BEDS - FULL & QUEEN

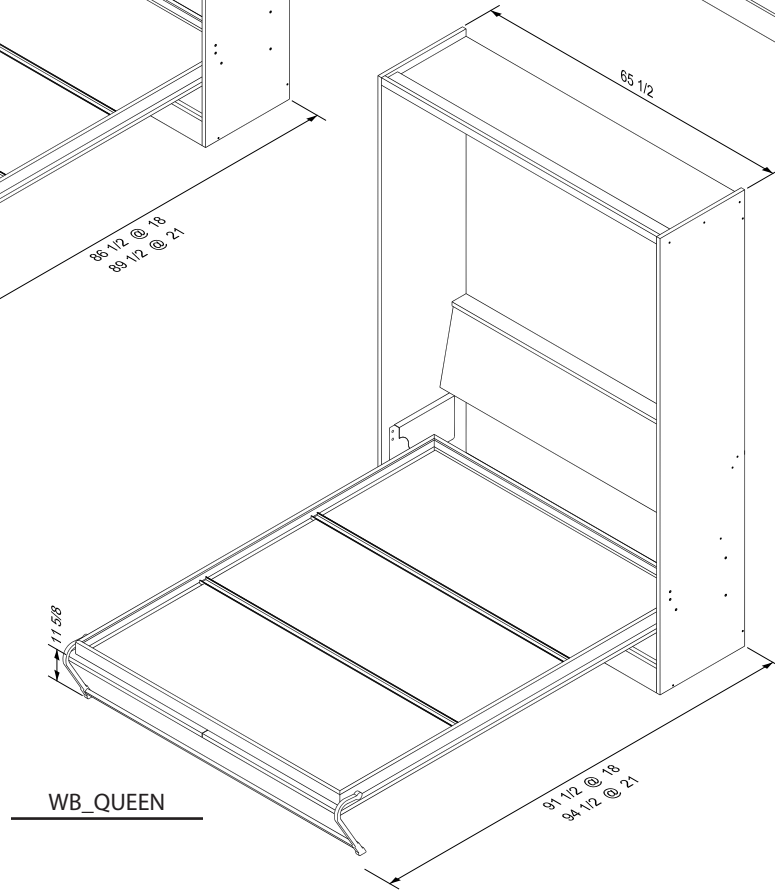
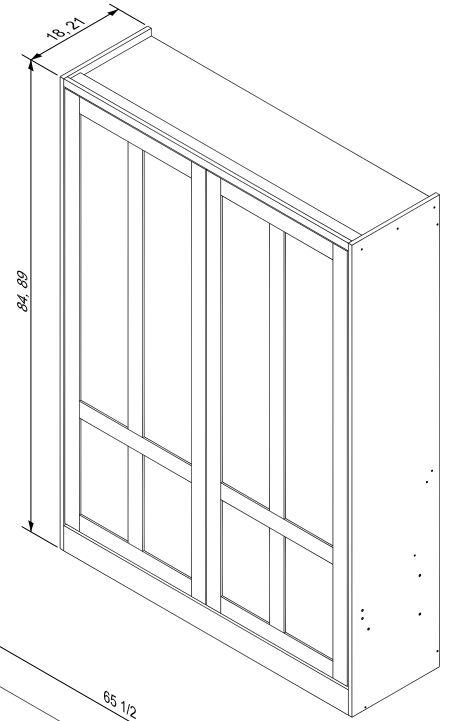
- Holds standard queen or full-size mattress
- Double/Full = 54" W x 75" L | Queen = 60" W x 80" L
- Max. 12" thick mattress

### MODIFICATION LIMITS

No Modifications



WB\_FULL



WB\_QUEEN

	C0	C1	C2	C4	C4A	C5	C7	C7A	C9	C9A	C10	C10A	C11	C12	C12A	C13	C13A	C14	C15	C16
<b>FULL — 18" or 21" D</b>																				
WB6084X(D)	-	-	-	-	-	-	7811	-	8244	-	-	-	-	8893	-	-	-	9543	10408	-
<b>QUEEN — 18" or 21" D</b>																				
WB6689X(D)	-	-	-	-	-	-	8133	-	8642	-	-	-	-	9405	-	-	-	10169	11187	-
"(D)" Specify depth																				

# Wall Beds and Wardrobes

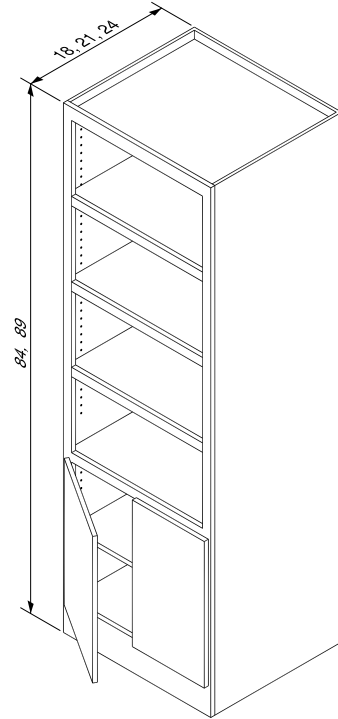
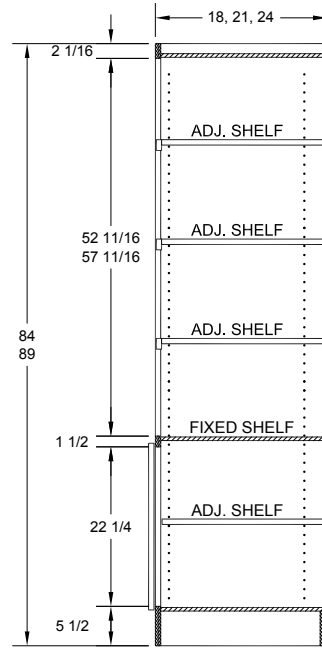
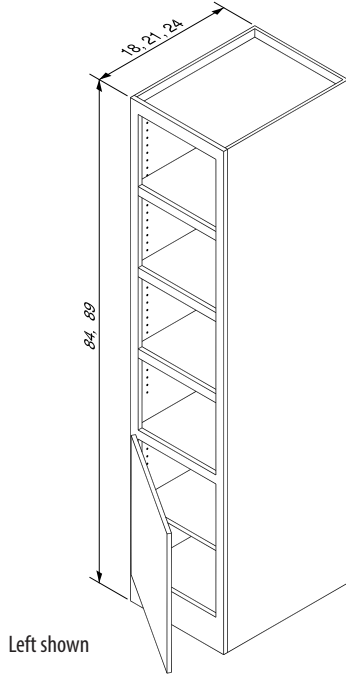
\* L or R required

## WARDROBE - FULL DR-LWR, OPEN-MID & UPPER

### MODIFICATION LIMITS

No Modifications

- Top of doors in lower section, top valance and flush toekick align with those on Wall Bed
- Number of adjustable shelves depends on height  
Upper section: 84" H = 3 | 89" H = 4  
Lower section = 1



### WSFON1DR

84" or 89" H

- WSFON18\_\_X(18,21,24)\*
- WSFON21\_\_X(18,21,24)\*
- WSFON24\_\_X(18,21,24)\*

### WSFON2DR

84" or 89" H

- WSFON24\_\_X(18,21,24) DD
- WSFON27\_\_X(18,21,24)
- WSFON30\_\_X(18,21,24)

	C0	C1	C2	C4	C4A	C5	C7	C7A	C9	C9A	C10	C10A	C11	C12	C12A	C13	C13A	C14	C15	C16
<b>WSFON — FULL 84" H x 18", 21" or 24" D</b>																				
WSFON1884X(D)*	2301	2344	2391	2513	2513	2725	2402	2402	2490	2490	2495	2495	2566	2588	2588	2617	2617	2675	2788	2919
WSFON2184X(D)*	2320	2368	2424	2556	2556	2795	2437	2437	2530	2530	2546	2546	2622	2644	2644	2676	2676	2739	2863	3007
WSFON2484X(D)*	2339	2395	2456	2602	2602	2868	2474	2474	2573	2573	2598	2598	2678	2702	2702	2737	2737	2805	2941	3099
WSFON2484X(D)-DD	2352	2425	2505	2681	2681	2968	2522	2522	2649	2649	2651	2651	2739	2783	2783	2822	2822	2898	3051	3227
WSFON2784X(D)	2369	2451	2536	2722	2722	3038	2558	2558	2688	2688	2702	2702	2795	2839	2839	2882	2882	2963	3127	3316
WSFON3084X(D)	2386	2476	2566	2763	2763	3107	2593	2593	2727	2727	2753	2753	2851	2895	2895	2941	2941	3027	3204	3404
<b>WSFON — QUEEN 89" H x 18", 21" or 24" D</b>																				
WSFON1889X(D)*	2340	2383	2430	2552	2552	2764	2441	2441	2529	2529	2534	2534	2605	2627	2627	2656	2656	2714	2827	2958
WSFON2189X(D)*	2359	2407	2463	2595	2595	2834	2476	2476	2569	2569	2585	2585	2661	2683	2683	2715	2715	2778	2902	3046
WSFON2489X(D)*	2378	2434	2495	2641	2641	2907	2513	2513	2612	2612	2637	2637	2717	2741	2741	2776	2776	2844	2980	3138
WSFON2489X(D)-DD	2391	2464	2544	2720	2720	3007	2561	2561	2688	2688	2690	2690	2778	2822	2822	2861	2861	2937	3090	3266
WSFON2789X(D)	2408	2490	2575	2761	2761	3077	2597	2597	2727	2727	2741	2741	2834	2878	2878	2921	2921	3002	3166	3355
WSFON3089X(D)	2425	2515	2605	2802	2802	3146	2632	2632	2766	2766	2792	2792	2890	2934	2934	2980	2980	3066	3243	3443

"(D)" Specify depth

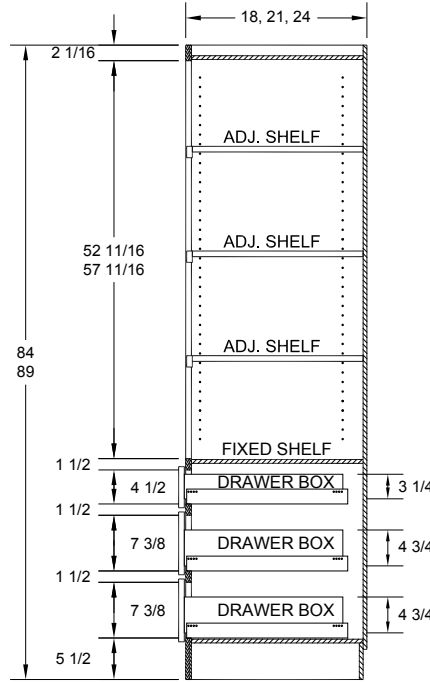
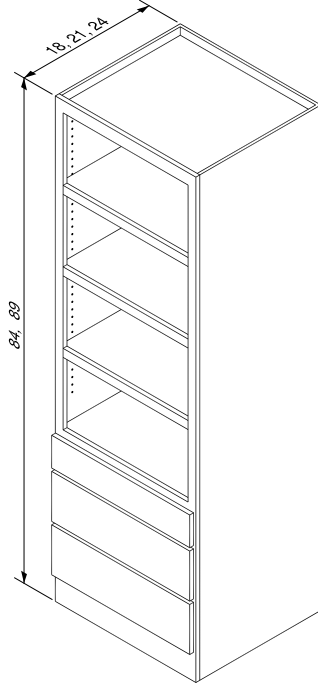


# Wall Beds and Wardrobes

## WARDROBE - 3 DWR-LWR, OPEN-MID & UPPER

**MODIFICATION LIMITS**  
No Modifications

- Drawers in lower section, top valance and flush toekick align with Wall Bed
  - Number of adjustable shelves depends on height
- Upper section: 84" H = 3 | 89" H = 4



**WS3ON**  
84" or 89" H

WS3ON18\_X(18,21,24)  
WS3ON21\_X(18,21,24)  
WS3ON24\_X(18,21,24)  
WS3ON27\_X(18,21,24)  
WS3ON30\_X(18,21,24)

	C0	C1	C2	C4	C4A	C5	C7	C7A	C9	C9A	C10	C10A	C11	C12	C12A	C13	C13A	C14	C15	C16
<b>WS3ON — FULL 84" H x 18", 21" or 24" D</b>																				
WS3ON1884X(D)	2517	2586	2659	2882	2882	3038	2741	2741	2839	2839	2741	2741	2839	2839	2839	2882	2882	2963	3127	3316
WS3ON2184X(D)	2551	2625	2705	2956	2956	3126	2807	2807	2910	2910	2807	2807	2910	2910	2910	2956	2956	3044	3222	3428
WS3ON2484X(D)	2585	2664	2749	3032	3032	3217	2875	2875	2983	2983	2875	2875	2983	2983	2983	3032	3032	3129	3321	3543
WS3ON2784X(D)	2617	2705	2795	3109	3109	3307	2943	2943	3056	3056	2943	2943	3056	3056	3056	3109	3109	3212	3419	3658
WS3ON3084X(D)	2649	2785	2880	3224	3224	3436	3049	3049	3168	3168	3049	3049	3168	3168	3168	3224	3224	3334	3557	3813
<b>WS3ON — QUEEN 89" H x 18", 21" or 24" D</b>																				
WS3ON1889X(D)	2556	2625	2698	2921	2921	3077	2780	2780	2878	2878	2780	2780	2878	2878	2878	2921	2921	3002	3166	3355
WS3ON2189X(D)	2590	2664	2744	2995	2995	3165	2846	2846	2949	2949	2846	2846	2949	2949	2949	2995	2995	3083	3261	3467
WS3ON2489X(D)	2624	2703	2788	3071	3071	3256	2914	2914	3022	3022	2914	2914	3022	3022	3022	3071	3071	3168	3360	3582
WS3ON2789X(D)	2656	2744	2834	3148	3148	3346	2982	2982	3095	3095	2982	2982	3095	3095	3095	3148	3148	3251	3458	3697
WS3ON3089X(D)	2688	2824	2919	3263	3263	3475	3088	3088	3207	3207	3088	3088	3207	3207	3207	3263	3263	3373	3596	3852

"(D)" Specify depth

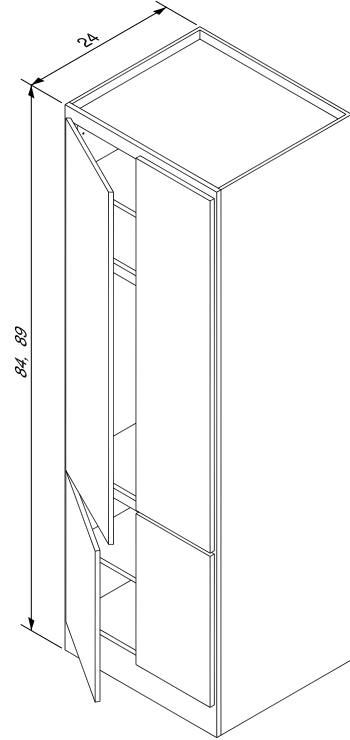
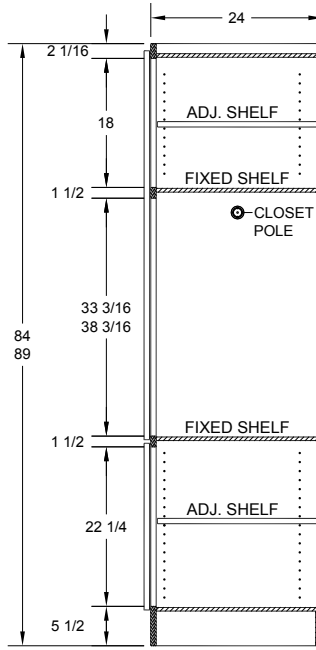
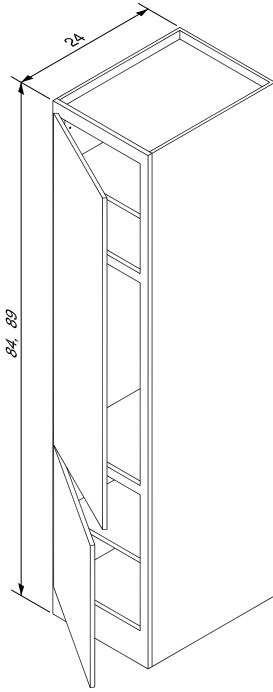
# Wall Beds and Wardrobes

\* L or R required

## WARDROBE - DOOR LOWER, MID & UPPER

**MODIFICATION LIMITS**  
No Modifications

- Top of doors in lower section, top valance and flush toekick align with those on Wall Bed
- Number of adjustable shelves:  
Upper section = 1 | Lower section = 1
- Polished chrome closet pole included



**WSFHN2DR**

84" or 89" H

WSFHN18\_X24\*

WSFHN21\_X24\*

WSFHN24\_X24\*

**WSFHN4DR**

84" or 89" H

WSFHN24\_X24DD

WSFHN27\_X24

WSFHN30\_X24

	C0	C1	C2	C4	C4A	C5	C7	C7A	C9	C9A	C10	C10A	C11	C12	C12A	C13	C13A	C14	C15	C16
<b>WSFHN — FULL 84" H x 24" D</b>																				
WSFHN1884X24*	2340	2466	2591	2907	3022	3499	2630	2736	2848	2961	2922	3034	3099	3151	3278	3221	3356	3367	3660	3992
WSFHN2184X24*	2385	2525	2673	3017	3144	3692	2720	2839	2956	3078	3065	3190	3251	3304	3446	3384	3534	3545	3863	4232
WSFHN2484X24*	2429	2591	2754	3134	3273	3884	2817	2948	3065	3199	3209	3348	3404	3458	3619	3548	3714	3723	4075	4479
WSFHN2484X24-DD	2463	2668	2871	3321	3494	4130	2927	3085	3246	3411	3336	3499	3555	3657	3838	3755	3943	3950	4342	4791
WSFHN2784X24	2505	2731	2951	3436	3619	4321	3022	3188	3351	3528	3478	3655	3713	3809	4006	3914	4121	4126	4550	5034
WSFHN3084X24	2547	2793	3031	3551	3745	4513	3117	3292	3456	3645	3621	3811	3870	3962	4174	4074	4299	4303	4759	5276
<b>WSFHN — QUEEN 89" H x 24" D</b>																				
WSFHN1889X24*	2379	2515	2649	2987	3114	3619	2692	2809	2922	3049	3005	3129	3194	3250	3390	3322	3473	3478	3792	4147
WSFHN2189X24*	2427	2578	2736	3104	3244	3828	2787	2919	3039	3175	3158	3297	3356	3412	3570	3497	3665	3670	4009	4403
WSFHN2489X24*	2474	2649	2822	3229	3384	4031	2890	3036	3155	3304	3312	3467	3519	3577	3757	3674	3858	3860	4237	4667
WSFHN2489X24-DD	2510	2731	2948	3426	3619	4294	3007	3183	3348	3531	3448	3628	3680	3789	3991	3894	4103	4103	4520	5000
WSFHN2789X24	2556	2797	3032	3551	3755	4499	3109	3294	3460	3657	3601	3796	3850	3952	4170	4064	4294	4291	4744	5259
WSFHN3089X24	2602	2863	3117	3677	3891	4705	3211	3404	3572	3782	3753	3964	4020	4114	4350	4233	4486	4479	4968	5519

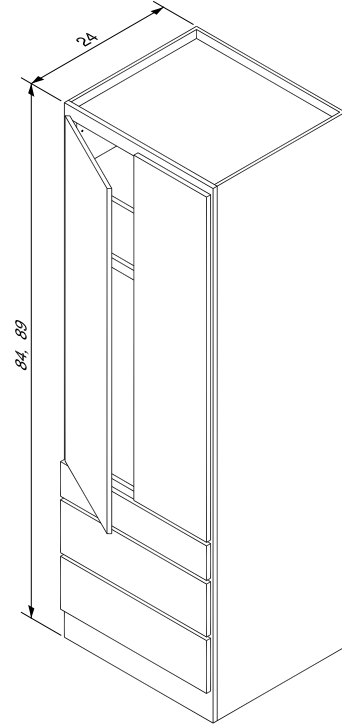
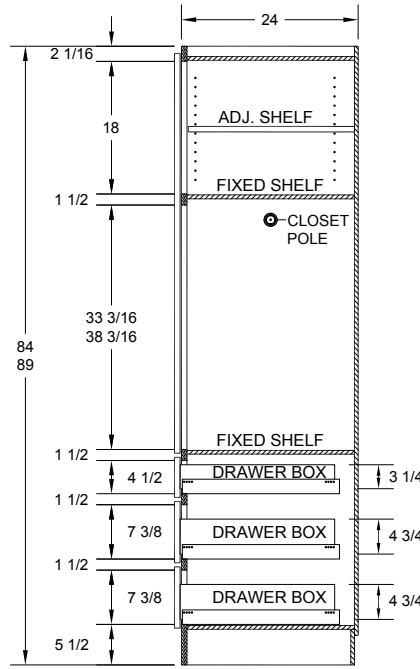
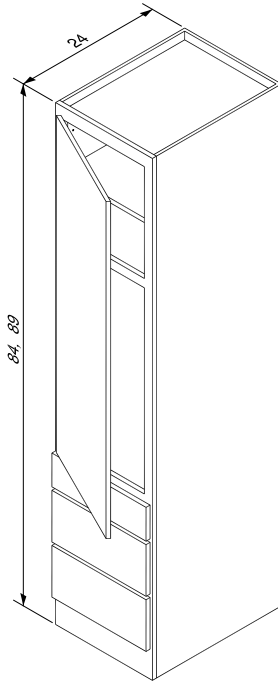
# Wall Beds and Wardrobes

\* L or R required

## WARDROBE - 3-DWR LOWER, DR-MID-UPPER

**MODIFICATION LIMITS**  
No Modifications

- Drawers in lower section, top valance and flush toekick align with Wall Bed
  - One adjustable shelf in upper section
- Polished chrome closet pole included



**WS3HN1DR**

84" or 89" H

- WS3HN18\_X24\*
- WS3HN21\_X24\*
- WS3HN24\_X24\*

**WS3HN2DR**

84" or 89" H

- WS3HN24\_X24DD
- WS3HN27\_X24
- WS3HN30\_X24

	C0	C1	C2	C4	C4A	C5	C7	C7A	C9	C9A	C10	C10A	C11	C12	C12A	C13	C13A	C14	C15	C16
<b>WS3HN — FULL 84" H x 24" D</b>																				
WS3HN1884X24*	2556	2709	2859	3272	3389	3813	2970	3075	3197	3311	3168	3280	3372	3402	3529	3487	3623	3655	3999	4389
WS3HN2184X24*	2615	2783	2954	3416	3543	4023	3090	3209	3336	3458	3326	3451	3540	3570	3713	3663	3814	3852	4223	4656
WS3HN2484X24*	2675	2861	3048	3565	3704	4233	3217	3348	3475	3609	3485	3624	3709	3740	3901	3843	4011	4047	4455	4923
WS3HN2484X24-DD	2695	2907	3116	3674	3845	4376	3280	3438	3580	3745	3560	3723	3799	3857	4038	3965	4154	4181	4611	5107
WS3HN2784X24	2753	2985	3211	3823	4006	4591	3407	3573	3719	3896	3719	3896	3974	4026	4223	4145	4350	4376	4842	5375
WS3HN3084X24	2810	3063	3306	3972	4167	4806	3534	3709	3858	4047	3879	4069	4148	4196	4408	4325	4547	4571	5073	5643
<b>WS3HN — QUEEN 89" H x 24" D</b>																				
WS3HN1889X24*	2595	2758	2917	3350	3480	3935	3031	3148	3272	3399	3251	3375	3467	3501	3641	3590	3741	3767	4131	4544
WS3HN2189X24*	2658	2836	3017	3502	3643	4159	3156	3289	3419	3555	3419	3558	3645	3679	3836	3777	3945	3977	4369	4829
WS3HN2489X24*	2720	2919	3116	3660	3814	4381	3290	3436	3565	3714	3589	3743	3824	3858	4038	3969	4155	4184	4617	5112
WS3HN2489X24-DD	2742	2970	3192	3780	3970	4538	3360	3536	3682	3865	3672	3852	3925	3989	4191	4104	4313	4333	4790	5315
WS3HN2789X24	2803	3051	3292	3938	4142	4769	3494	3679	3828	4025	3841	4036	4111	4169	4388	4296	4523	4540	5035	5600
WS3HN3089X24	2865	3133	3392	4096	4313	5000	3628	3821	3974	4184	4011	4221	4298	4349	4584	4488	4734	4747	5281	5885

# Wall Beds and Wardrobes

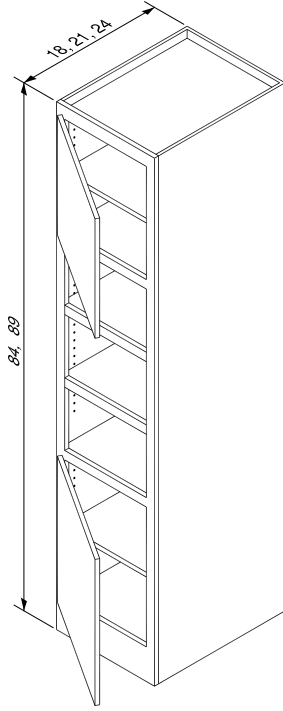
\* L or R required

## WARDROBE - FULL DR-LWR, OPN-MID, 21" UPPER

### MODIFICATION LIMITS

No Modifications

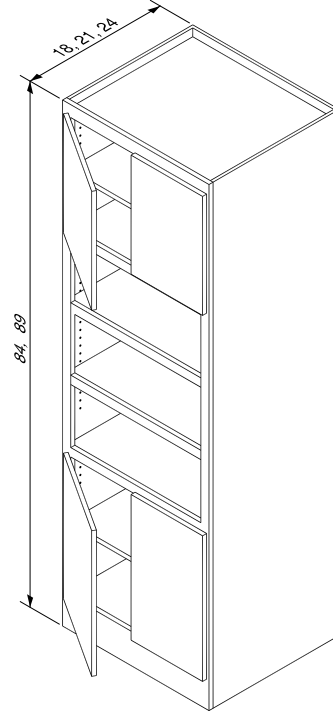
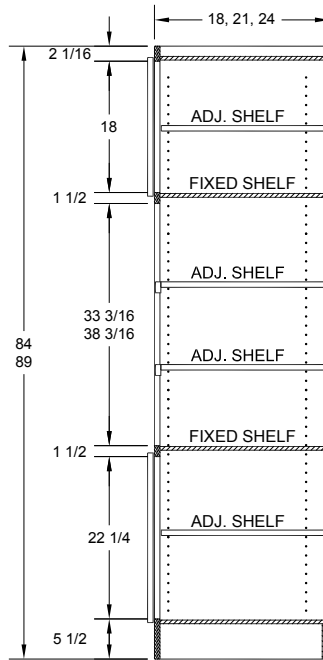
- Upper section is always 21" H
  - Top of doors in lower section, top valance and flush toekick align with those on Wall Bed
  - Number of adjustable shelves depends on height
- Upper & Lower section: 1 each  
Middle section: 84" H = 2 | 89" H = 3



WSFOT2DR

84" or 89" H

- WSFOT18\_\_X(18,21,24)\*
- WSFOT21\_\_X(18,21,24)\*
- WSFOT24\_\_X(18,21,24)\*



WSFOT4DR

84" or 89" H

- WSFOT24\_\_X(18,21,24)DD
- WSFOT27\_\_X(18,21,24)
- WSFOT30\_\_X(18,21,24)

	C0	C1	C2	C4	C4A	C5	C7	C7A	C9	C9A	C10	C10A	C11	C12	C12A	C13	C13A	C14	C15	C16
<b>WSFOT — FULL 84" H x 18", 21" or 24" D</b>																				
WSFOT1884X(D)*	2653	2727	2809	2995	3053	3345	2822	2871	2958	3012	2975	3024	3080	3122	3177	3168	3226	3260	3446	3658
WSFOT2184X(D)*	2676	2759	2851	3065	3124	3456	2870	2922	3024	3080	3054	3110	3168	3212	3270	3263	3324	3363	3567	3799
WSFOT2484X(D)*	2705	2800	2900	3133	3195	3568	2927	2983	3088	3148	3138	3197	3256	3302	3365	3356	3423	3467	3689	3942
WSFOT2484X(D)-DD	2731	2861	2997	3289	3375	3765	3021	3097	3236	3319	3243	3322	3377	3460	3540	3523	3606	3648	3902	4193
WSFOT2784X(D)	2758	2902	3044	3353	3443	3874	3075	3156	3299	3384	3324	3407	3463	3548	3633	3616	3704	3750	4021	4330
WSFOT3084X(D)	2785	2943	3092	3417	3511	3982	3129	3216	3361	3448	3406	3492	3550	3636	3726	3709	3802	3852	4140	4467
<b>WSFOT — QUEEN 89" H x 18", 21" or 24" D</b>																				
WSFOT1889X(D)*	2686	2761	2842	3029	3087	3378	2856	2905	2992	3046	3009	3058	3114	3156	3211	3202	3260	3294	3480	3692
WSFOT2189X(D)*	2710	2793	2885	3099	3158	3490	2904	2956	3058	3114	3088	3144	3202	3246	3304	3297	3358	3397	3601	3833
WSFOT2489X(D)*	2739	2834	2934	3166	3229	3602	2961	3017	3122	3182	3172	3231	3290	3336	3399	3390	3456	3501	3723	3975
WSFOT2489X(D)-DD	2764	2895	3031	3322	3409	3799	3054	3131	3270	3353	3277	3356	3411	3494	3573	3557	3640	3682	3936	4226
WSFOT2789X(D)	2792	2936	3078	3387	3477	3908	3109	3190	3333	3417	3358	3441	3497	3582	3667	3650	3738	3784	4055	4364
WSFOT3089X(D)	2819	2976	3126	3451	3545	4016	3163	3250	3395	3482	3439	3526	3584	3670	3760	3743	3836	3886	4174	4501

"(D)" Specify depth

# Wall Beds and Wardrobes

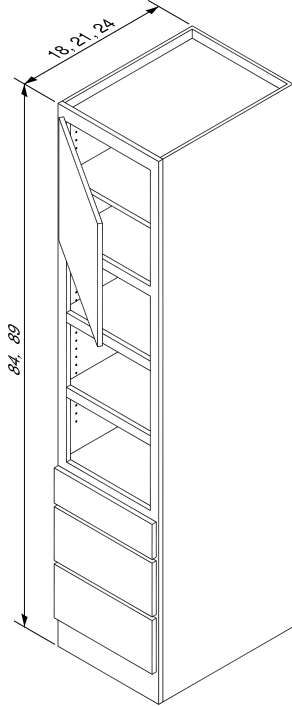
\* L or R required

## WARDROBE - DWRS-LWR, OPEN-MID, 21" UPPER

### MODIFICATION LIMITS

No Modifications

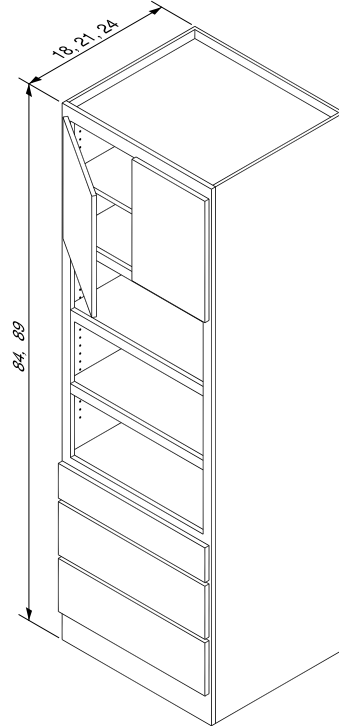
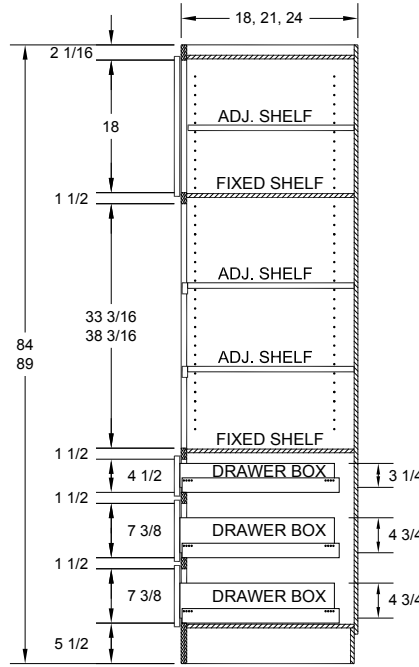
- Upper section is always 21" H
  - Drawers in lower section, top valance and flush toekick align with Wall Bed
  - Number of adjustable shelves depends on height
- Upper section: 1  
Middle section: 84" H = 2 | 89" H = 3



WS3OT1DR

84" or 89" H

- WS3OT18\_\_X(18,21,24)\*
- WS3OT21\_\_X(18,21,24)\*
- WS3OT24\_\_X(18,21,24)\*



WS3OT2DR

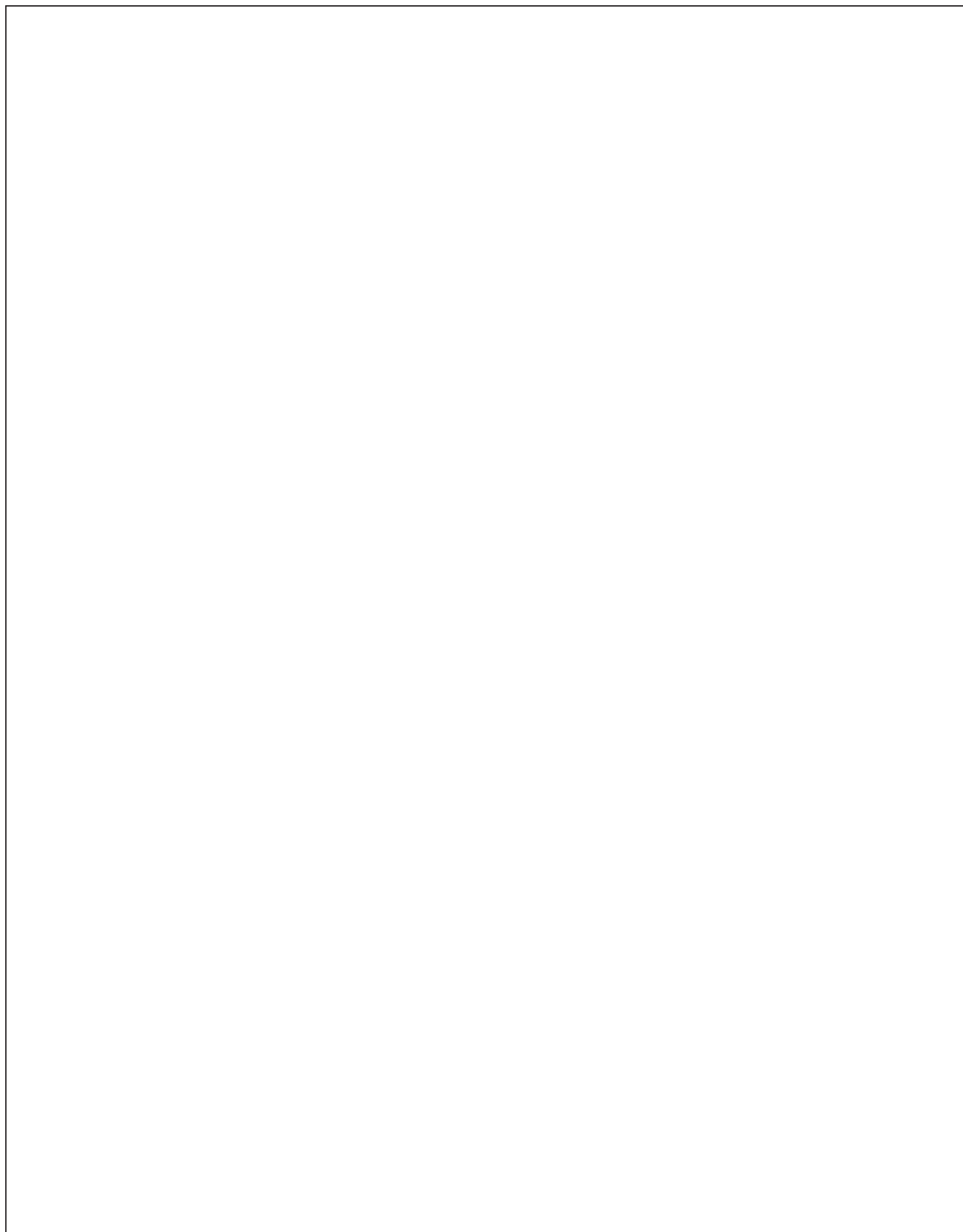
84" or 89" H

- WS3OT24\_\_X(18,21,24)DD
- WS3OT27\_\_X(18,21,24)
- WS3OT30\_\_X(18,21,24)

	C0	C1	C2	C4	C4A	C5	C7	C7A	C9	C9A	C10	C10A	C11	C12	C12A	C13	C13A	C14	C15	C16
<b>WS3OT — FULL 84" H x 18", 21" or 24" D</b>																				
WS3OT1884X(D)*	2868	2970	3077	3363	3419	3657	3161	3211	3307	3361	3221	3270	3353	3373	3428	3433	3489	3550	3785	4055
WS3OT2184X(D)*	2907	3017	3133	3463	3523	3787	3239	3292	3404	3460	3316	3372	3456	3478	3536	3543	3602	3670	3926	4220
WS3OT2484X(D)*	2951	3070	3194	3563	3626	3918	3328	3384	3499	3558	3414	3473	3562	3584	3646	3653	3719	3791	4069	4386
WS3OT2484X(D)-DD	2963	3100	3241	3638	3726	4013	3373	3450	3570	3653	3467	3546	3621	3660	3740	3733	3816	3879	4172	4508
WS3OT2784X(D)	3005	3156	3304	3740	3830	4143	3460	3541	3667	3752	3565	3648	3724	3765	3850	3843	3933	3999	4313	4672
WS3OT3084X(D)	3048	3212	3367	3841	3933	4274	3546	3633	3763	3850	3663	3750	3828	3870	3960	3953	4050	4120	4454	4837
<b>WS3OT — QUEEN 89" H x 18", 21" or 24" D</b>																				
WS3OT1889X(D)*	2902	3004	3110	3397	3453	3690	3195	3244	3341	3395	3255	3304	3387	3407	3462	3467	3523	3584	3819	4089
WS3OT2189X(D)*	2941	3051	3166	3497	3557	3821	3273	3326	3438	3494	3350	3406	3490	3512	3570	3577	3636	3704	3960	4254
WS3OT2489X(D)*	2985	3104	3227	3597	3660	3952	3361	3417	3533	3592	3448	3507	3596	3618	3680	3687	3753	3824	4103	4420
WS3OT2489X(D)-DD	2997	3134	3275	3672	3760	4047	3407	3484	3604	3687	3501	3580	3655	3694	3774	3767	3850	3913	4206	4542
WS3OT2789X(D)	3039	3190	3338	3774	3863	4177	3494	3575	3701	3785	3599	3682	3758	3799	3884	3877	3967	4033	4347	4706
WS3OT3089X(D)	3082	3246	3400	3875	3967	4308	3580	3667	3797	3884	3697	3784	3862	3904	3994	3987	4084	4154	4488	4871

"(D)" Specify depth

# Wall Beds and Wardrobes



# Home Office

This section provides cabinets and accessories configured specifically for designing an office space, however there are many items throughout our catalog that are appropriate for home office use such as bookcases, desk drawer units and letter organizers.

Below are more products, offered in other sections of our catalog, that may be combined with our Home Office cabinets.

## WALL

- Standard Wall Cabinets
- Tambour Appliance Garages
- Wall and Wall Bookcases with Drawers
- Wall Bookcases
- Wall Hutch Cabinets
- Wall Open Cubbyhole Cabinet
- Wall Pantry Pull-Out
- Wall Display Cabinet
- Spice Drawers
- Letter Organizers
- Open End Shelves

## BASE

- Full Base Pantry Pull-Out
- Base Open Cubbyhole
- Base Microwave
- Base Drawer Stacks
- Island Bookcase
- Open End Shelves

## VANITY

- Vanity Drawer Stacks
- Vanity Bookcase
- Desk Drawer Cabinets
- Open End Shelves

## TALL

- Utility Roll-Outs
- Utility Door Rack Cabinets
- Pantry Reverse Cabinets
- Tall and Tall Full Door Bookcases
- Tall Pull-Out Cabinets
- Open End Shelves

## ENTERTAINMENT

- Wall Pocket Door Cabinet
- Entertainment Center and/or Side Cabinets
- TV Stand

## ACCESSORIES

- Finishing Touches Mouldings, Toekick Treatments, Legs, Ornaments and Corbels
- Furniture Backs
- Roll-Outs

## MODIFICATIONS

- Top Rail Valances
- Hutch Extension
- Rout For Glass and Mullion Grid Doors
- Hinge Door on Top Modification
- Finished Interior Modification

# Home Office

## VANITY FILE DRAWER

### MODIFICATION LIMITS

Width 15" – 36"  
 Height No Height Mods  
 Depth 12" – 30" (See depth notes)

Opening Height	Drawer Box Height
1 at 4-1/2"	1 at 3-1/4"
1 at 15-3/4"	1 at 10"

- Includes hardwood dovetail drawer box (HWDWR)
- Solid wood drawer box (SWD) not allowed
- Height clearance for files is approximately 14-7/16" H
- See pg A-47 to order File Drawer Systems

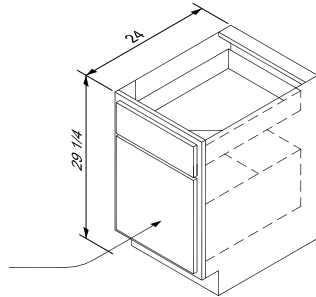
### Depth Notes:

- Depth increases greater than 24" do not increase drawer box or hardware depth

### Note:

must be secured to wall to eliminate potential injury from tipping

- Bottom drawer front is a door attached to a drawer box. Grain on bottom drawer front is vertical.
- Cabinets wider than 27" will have a double panel with a center stile on bottom drawer front.



VFD	Clearances between drawer sides
VFD15	10-3/8"
VFD18	13-3/8"
VFD21	16-3/8"
VFD24	19-3/8"
VFD27	22-3/8"
VFD30	25-3/8"
VFD33	28-3/8"
VFD36	31-3/8"

Note: letter size file folders are approximately 12-3/4" wide (tip-to-tip)

## VANITY, MID & BASE FILE COMBINATION

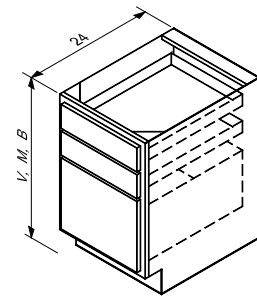
### MODIFICATION LIMITS

Width 15" – 36"  
 Height No Height Mods  
 Depth 12" – 30"

- See notes above
- Height clearance for files is approximately 10-11/16" H
- For Vanity height, top two drawer fronts are always Slab

- See pg A-47 to order File Drawer Systems

• Note: must be secured to wall to eliminate potential injury from tipping



Cabinet Height	Opening Height	Drawer Box Height
VANITY	2 at 3-3/8"	2 at 2-1/8"
	1 at 12"	1 at 10"
MID	2 at 4-1/2"	2 at 3-1/4"
	1 at 12"	1 at 10"
BASE	1 at 4-1/2"	1 at 3-1/4"
	1 at 7-1/2"	1 at 4-3/4"
	1 at 12'	1 at 10"

Vanity	Mid	Base	Clearances between drawer sides
VFC15	MFC15	BFC15	10-3/8"
VFC18	MFC18	BFC18	13-3/8"
VFC21	MFC21	BFC21	16-3/8"
VFC24	MFC24	BFC24	19-3/8"
VFC27	MFC27	BFC27	22-3/8"
VFC30	MFC30	BFC30	25-3/8"
VFC33	MFC33	BFC33	28-3/8"
VFC36	MFC36	BFC36	31-3/8"



# Home Office

	C0	C1	C2	C4	C4A	C5	C7	C7A	C9	C9A	C10	C10A	C11	C12	C12A	C13	C13A	C14	C15	C16	
<b>VANITY FILE DRAWER</b>																					
VFD15	882	936	992	1172	1172	1296	1055	1055	1141	1141	1055	1055	1141	1141	1141	1172	1172	1238	1384	1531	
VFD18	912	972	1035	1241	1241	1379	1118	1118	1208	1208	1118	1118	1208	1208	1208	1241	1241	1314	1474	1638	
VFD21	941	1006	1077	1313	1313	1464	1177	1177	1274	1274	1177	1177	1274	1274	1274	1313	1313	1391	1564	1747	
VFD24	972	1043	1118	1382	1382	1545	1241	1241	1340	1340	1241	1241	1340	1340	1340	1382	1382	1465	1654	1850	
VFD27	1002	1077	1160	1453	1453	1628	1303	1303	1408	1408	1303	1303	1408	1408	1408	1453	1453	1543	1745	1957	
VFD30	1031	1113	1201	1523	1523	1710	1365	1365	1474	1474	1365	1365	1474	1474	1474	1523	1523	1620	1835	2062	
VFD33	1062	1150	1241	1593	1593	1794	1426	1426	1540	1540	1426	1426	1540	1540	1540	1593	1593	1696	1927	2169	
VFD36	1092	1184	1284	1662	1662	1876	1489	1489	1606	1606	1489	1489	1606	1606	1606	1662	1662	1772	2017	2274	

	C0	C1	C2	C4	C4A	C5	C7	C7A	C9	C9A	C10	C10A	C11	C12	C12A	C13	C13A	C14	C15	C16	
<b>VANITY FILE COMBINATION</b>																					
VFC15	1141	1204	1270	1460	1460	1603	1330	1330	1423	1423	1330	1330	1423	1423	1423	1460	1460	1535	1684	1855	
VFC18	1174	1243	1316	1537	1537	1694	1398	1398	1496	1496	1398	1398	1496	1496	1496	1537	1537	1618	1784	1972	
VFC21	1208	1282	1362	1611	1611	1782	1464	1464	1567	1567	1464	1464	1567	1567	1567	1611	1611	1701	1879	2084	
VFC24	1241	1321	1406	1688	1688	1872	1531	1531	1640	1640	1531	1531	1640	1640	1640	1688	1688	1784	1978	2198	
VFC27	1274	1362	1452	1766	1766	1964	1599	1599	1713	1713	1599	1599	1713	1713	1713	1766	1766	1869	2076	2313	
VFC30	1308	1399	1498	1840	1840	2052	1665	1665	1784	1784	1665	1665	1784	1784	1784	1840	1840	1950	2173	2427	
VFC33	1342	1440	1542	1915	1915	2140	1733	1733	1855	1855	1733	1733	1855	1855	1855	1915	1915	2032	2269	2541	
VFC36	1374	1479	1587	1991	1991	2232	1799	1799	1928	1928	1799	1799	1928	1928	1928	1991	1991	2117	2368	2654	
<b>MID FILE COMBINATION</b>																					
MFC15	1170	1235	1303	1506	1506	1657	1369	1369	1465	1465	1369	1369	1465	1465	1465	1506	1506	1584	1742	1923	
MFC18	1206	1275	1350	1587	1587	1754	1440	1440	1543	1543	1440	1440	1543	1543	1543	1587	1587	1674	1849	2047	
MFC21	1241	1318	1399	1667	1667	1849	1511	1511	1621	1621	1511	1511	1621	1621	1621	1667	1667	1762	1952	2169	
MFC24	1277	1360	1447	1749	1749	1945	1584	1584	1698	1698	1584	1584	1698	1698	1698	1749	1749	1850	2056	2290	
MFC27	1313	1403	1496	1832	1832	2042	1657	1657	1776	1776	1657	1657	1776	1776	1776	1832	1832	1942	2161	2413	
MFC30	1348	1443	1545	1911	1911	2137	1728	1728	1852	1852	1728	1728	1852	1852	1852	1911	1911	2028	2264	2534	
MFC33	1384	1486	1593	1993	1993	2232	1799	1799	1930	1930	1799	1799	1930	1930	1930	1993	1993	2117	2369	2658	
MFC36	1420	1528	1642	2074	2074	2329	1871	1871	2006	2006	1871	1871	2006	2006	2006	2074	2074	2206	2473	2778	
<b>BASE FILE COMBINATION</b>																					
BFC15	1199	1264	1333	1550	1550	1710	1406	1406	1508	1508	1406	1406	1508	1508	1508	1550	1550	1633	1799	1991	
BFC18	1236	1308	1384	1637	1637	1811	1482	1482	1591	1591	1482	1482	1591	1591	1591	1637	1637	1728	1911	2122	
BFC21	1274	1352	1437	1723	1723	1915	1559	1559	1674	1674	1559	1559	1674	1674	1674	1723	1723	1823	2023	2252	
BFC24	1313	1398	1487	1810	1810	2017	1637	1637	1755	1755	1637	1637	1755	1755	1755	1810	1810	1916	2134	2381	
BFC27	1350	1442	1540	1896	1896	2120	1713	1713	1838	1838	1713	1713	1838	1838	1838	1896	1896	2013	2246	2512	
BFC30	1387	1486	1591	1983	1983	2220	1789	1789	1920	1920	1789	1789	1920	1920	1920	1983	1983	2106	2356	2641	
BFC33	1426	1531	1642	2069	2069	2324	1866	1866	2003	2003	1866	1866	2003	2003	2003	2069	2069	2201	2468	2773	
BFC36	1464	1576	1694	2156	2156	2425	1942	1942	2084	2084	1942	1942	2084	2084	2084	2156	2156	2296	2578	2902	

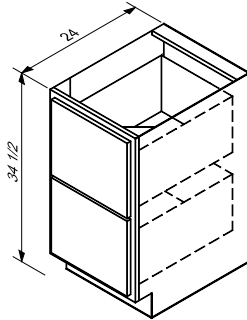
# Home Office

## BASE FILE 2-DRAWER

### MODIFICATION LIMITS

Width 15" – 36"  
 Height No Height Mods  
 Depth 12" – 30" (See depth notes)

Opening Height	Drawer Box Height
2 at 12-3/4"	2 at 10"



- Includes solid hardwood dovetail drawer (HWDWR)
- Solid wood drawer box (SWD) not allowed
- Height clearance for files is approximately 11-7/16" H
- Depth increases greater than 24" do not increase drawer box or hardware depth

- UMFEG-IM guides limits cabinet depth options to 12", 15", 18", 21" or 24"
- See pg A-47 to order File Drawer Systems
- **Note:** must be secured to wall to eliminate potential injury from tipping

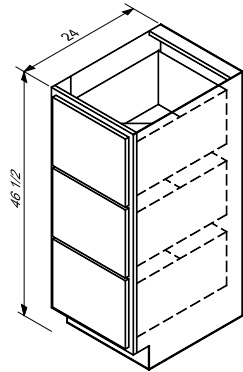
BF2DWR	Clearances between drawer sides
BF2D15	10-3/8"
BF2D18	13-3/8"
BF2D21	16-3/8"
BF2D24	19-3/8"
BF2D27	22-3/8"
BF2D30	25-3/8"
BF2D33	28-3/8"
BF2D36	31-3/8"

## FILE 3-DRAWER

### MODIFICATION LIMITS

Width 15" – 30"  
 Height No Height Mods  
 Depth 12" – 30"

Opening Height	Drawer Box Height
3 at 12"	3 at 10"



- See notes above
- Height clearance for files is approximately 10-11/16" H
- See pg A-47 to order File Drawer Systems

- **Note:** must be secured to wall to eliminate potential injury from tipping

F3DWR	Clearances between drawer sides
F3D15	10-3/8"
F3D18	13-3/8"
F3D21	16-3/8"
F3D24	19-3/8"
F3D27	22-3/8"
F3D30	25-3/8"

# Home Office

	C0	C1	C2	C4	C4A	C5	C7	C7A	C9	C9A	C10	C10A	C11	C12	C12A	C13	C13A	C14	C15	C16
<b>BASE FILE 2-DRAWER</b>																				
<b>BF2D15</b>	872	931	996	1202	1202	1340	1077	1077	1167	1167	1077	1077	1167	1167	1167	1202	1202	1275	1435	1601
<b>BF2D18</b>	1029	1101	1177	1426	1426	1591	1275	1275	1384	1384	1275	1275	1384	1384	1384	1426	1426	1513	1704	1905
<b>BF2D21</b>	1063	1141	1226	1511	1511	1693	1348	1348	1464	1464	1348	1348	1464	1464	1464	1511	1511	1606	1813	2034
<b>BF2D24</b>	1101	1186	1275	1594	1594	1791	1425	1425	1543	1543	1425	1425	1543	1543	1543	1594	1594	1696	1922	2159
<b>BF2D27</b>	1136	1228	1326	1681	1681	1891	1499	1499	1625	1625	1499	1499	1625	1625	1625	1681	1681	1789	2032	2288
<b>BF2D30</b>	1172	1270	1375	1764	1764	1989	1574	1574	1704	1704	1574	1574	1704	1704	1704	1764	1764	1881	2140	2415
<b>BF2D33</b>	1209	1314	1425	1849	1849	2091	1649	1649	1786	1786	1649	1649	1786	1786	1786	1849	1849	1974	2251	2544
<b>BF2D36</b>	1245	1357	1476	1932	1932	2190	1723	1723	1866	1866	1723	1723	1866	1866	1866	1932	1932	2066	2359	2670

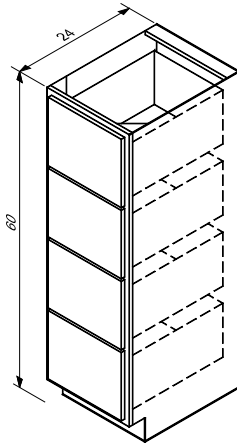
	C0	C1	C2	C4	C4A	C5	C7	C7A	C9	C9A	C10	C10A	C11	C12	C12A	C13	C13A	C14	C15	C16
<b>FILE 3-DRAWER</b>																				
<b>F3D15</b>	1269	1345	1425	1696	1696	1883	1531	1531	1647	1647	1531	1531	1647	1647	1647	1696	1696	1794	1989	2217
<b>F3D18</b>	1496	1587	1684	2010	2010	2234	1811	1811	1950	1950	1811	1811	1950	1950	1950	2010	2010	2127	2363	2634
<b>F3D21</b>	1543	1643	1752	2122	2122	2368	1910	1910	2057	2057	1910	1910	2057	2057	2057	2122	2122	2249	2507	2802
<b>F3D24</b>	1593	1703	1818	2232	2232	2498	2010	2010	2162	2162	2010	2010	2162	2162	2162	2232	2232	2369	2649	2966
<b>F3D27</b>	1642	1759	1886	2344	2344	2630	2108	2108	2269	2269	2108	2108	2269	2269	2269	2344	2344	2493	2793	3134
<b>F3D30</b>	1689	1816	1950	2454	2454	2759	2206	2206	2374	2374	2206	2206	2374	2374	2374	2454	2454	2614	2934	3300

## FILE 4-DRAWER

### MODIFICATION LIMITS

Width 15" – 30"  
 Height No Height Mods  
 Depth 12" – 30"

Opening Height	Drawer Box Height
4 at 12"	4 at 10"



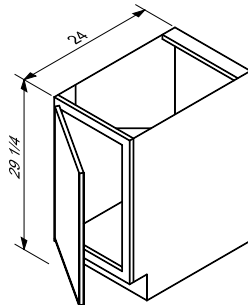
- Includes solid hardwood dovetail drawer (HWDWR)
- Solid wood drawer box (SWD) not allowed
- Height clearance for files is approximately 10-11/16" H
- Depth increases greater than 24" do not increase drawer box or hardware depth
- See pg A-47 to order File Drawer Systems
- **Note:** must be secured to wall to eliminate potential injury from tipping

F4DWR	Clearances between drawer sides
F4D15	10-3/8"
F4D18	13-3/8"
F4D21	16-3/8"
F4D24	19-3/8"
F4D27	22-3/8"
F4D30	25-3/8"

## CPU CABINET

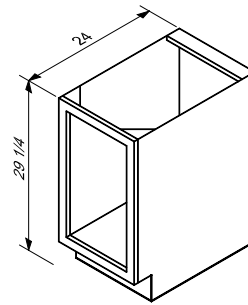
### MODIFICATION LIMITS

Width 9" – 24"  
 Height 16-1/2" – 46-1/2"  
 Depth 6" – 30"



- Finished interior (FMI)
- Sides not drilled for adjustable shelf holes
- Opening is 3" less than cabinet width by 21-3/4" high
- VOCPU: Inside of frame opening has eased edge

VCPU  
 VCPU12\*  
 VCPU15\*  
 VCPU18\*

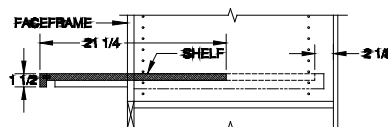
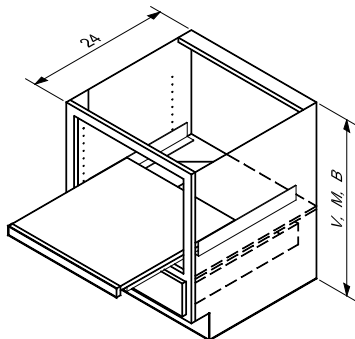


VOCPU  
 VCPU12  
 VCPU15  
 VCPU18

## REVERSE OPEN PRINTER CABINET

### MODIFICATION LIMITS

Width 15" – 36"  
 Height 29-1/4" – 46-1/2"  
 Depth 18", 21" or 24" only



- Finished interior (FMI)
- Inside of frame opening has eased edge
- 3/4" thick plywood shelf with 1-1/2" H front edge and full-extension undermount guides is installed directly above fixed shelf
- Drawer opening is 4-1/2" high
- Drawer box and drawer guides follow order header selection
- Distance from floor to top of roll-out shelf is approximately 14"-15". Clearance from top of roll-out to frame is approximately 13-7/8" for Vanity, 16-1/8" for Mid, and 19-1/8" for Base.
- Pull-out shelf width equals cabinet width less 3-1/4"
- Height reductions taken from open area
- **Note:** must be secured to wall to eliminate potential injury from tipping

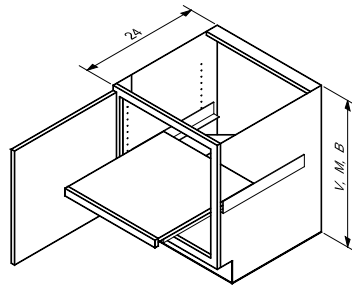
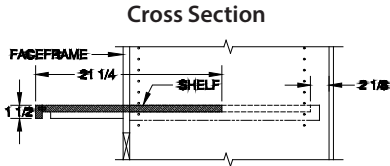
Vanity VROP	Mid MROP	Base BROP
VROP18	MROP18	BROP18
VROP21	MROP21	BROP21
VROP24	MROP24	BROP24
VROP27	MROP27	BROP27
VROP30	MROP30	BROP30

	C0	C1	C2	C4	C4A	C5	C7	C7A	C9	C9A	C10	C10A	C11	C12	C12A	C13	C13A	C14	C15	C16
<b>BASE FILE 2-DRAWER</b>																				
F4D15	1738	1855	1981	2332	2332	2597	2098	2098	2262	2262	2098	2098	2262	2262	2262	2332	2332	2471	2746	3061
F4D18	2052	2193	2342	2764	2764	3082	2483	2483	2681	2681	2483	2483	2681	2681	2681	2764	2764	2931	3261	3640
F4D21	2122	2273	2434	2910	2910	3256	2615	2615	2822	2822	2615	2615	2822	2822	2822	2910	2910	3090	3453	3863
F4D24	2190	2352	2524	3063	3063	3436	2748	2748	2966	2966	2748	2748	2966	2966	2966	3063	3063	3256	3646	4091
F4D27	2262	2434	2615	3214	3214	3612	2880	2880	3110	3110	2880	2880	3110	3110	3110	3214	3214	3423	3840	4316
F4D30	2330	2513	2709	3361	3361	3789	3014	3014	3251	3251	3014	3014	3251	3251	3251	3361	3361	3585	4030	4540
<b>CPU CABINET</b>																				
VCPU12*	760	789	824	923	923	1080	826	826	904	904	919	919	948	970	970	992	992	1038	1130	1235
VCPU15*	778	814	856	967	967	1152	862	862	945	945	962	962	1006	1028	1028	1053	1053	1104	1208	1325
VCPU18*	797	840	887	1009	1009	1221	897	897	985	985	1004	1004	1062	1084	1084	1113	1113	1169	1284	1414
<b>OPEN CPU CABINET</b>																				
VOCPU12	887	887	887	887	887	887	887	887	887	887	887	887	887	887	887	887	887	887	887	887
VOCPU15	906	906	906	906	906	906	906	906	906	906	906	906	906	906	906	906	906	906	906	906
VOCPU18	924	924	924	924	924	924	924	924	924	924	924	924	924	924	924	924	924	924	924	924
<b>REVERSE OPEN PRINTER - VANITY</b>																				
VROP18	1272	1326	1384	1520	1520	1743	1386	1386	1491	1491	1515	1515	1559	1581	1581	1615	1615	1681	1816	1971
VROP21	1313	1374	1437	1586	1586	1833	1445	1445	1554	1554	1579	1579	1637	1657	1657	1694	1694	1767	1913	2081
VROP24	1352	1420	1487	1652	1652	1925	1503	1503	1618	1618	1645	1645	1711	1733	1733	1772	1772	1852	2011	2193
VROP27	1406	1498	1587	1793	1793	2115	1606	1606	1754	1754	1786	1786	1849	1889	1889	1935	1935	2028	2215	2429
VROP30	1501	1594	1689	1915	1915	2273	1711	1711	1871	1871	1906	1906	1979	2020	2020	2073	2073	2176	2386	2625
<b>REVERSE OPEN PRINTER - MID</b>																				
MROP18	1170	1235	1303	1506	1506	1657	1369	1369	1465	1465	1369	1369	1465	1465	1465	1506	1506	1584	1742	1923
MROP21	1206	1275	1350	1587	1587	1754	1440	1440	1543	1543	1440	1440	1543	1543	1543	1587	1587	1674	1849	2047
MROP24	1241	1318	1399	1667	1667	1849	1511	1511	1621	1621	1511	1511	1621	1621	1621	1667	1667	1762	1952	2169
MROP27	1277	1360	1447	1749	1749	1945	1584	1584	1698	1698	1584	1584	1698	1698	1698	1749	1749	1850	2056	2290
MROP30	1313	1403	1496	1832	1832	2042	1657	1657	1776	1776	1657	1657	1776	1776	1776	1832	1832	1942	2161	2413
<b>REVERSE OPEN PRINTER - BASE</b>																				
BROP18	1301	1360	1413	1570	1570	1822	1426	1426	1538	1538	1564	1564	1621	1643	1643	1681	1681	1754	1901	2069
BROP21	1343	1409	1477	1640	1640	1916	1489	1489	1606	1606	1633	1633	1704	1723	1723	1764	1764	1844	2003	2186
BROP24	1387	1460	1535	1713	1713	2023	1552	1552	1676	1676	1703	1703	1791	1813	1813	1857	1857	1944	2118	2318
BROP27	1442	1540	1638	1861	1861	2186	1662	1662	1818	1818	1852	1852	1935	1947	1947	1996	1996	2095	2293	2520
BROP30	1486	1591	1696	1933	1933	2325	1725	1725	1888	1888	1923	1923	2020	2062	2062	2117	2117	2225	2442	2692

## PRINTER CABINET WITH DOOR

### MODIFICATION LIMITS

Width 12" – 36"  
 Height 29-1/4" – 46-1/2"  
 Depth 18", 21" or 24" only



- Finished interior (FMI)
- Sides drilled for system holes
- Adjustable shelf: 3/4" thick, plywood (or plycore) wood veneer with 1-1/2" H double-eased front edge, full-extension undermount guides is installed near center of opening

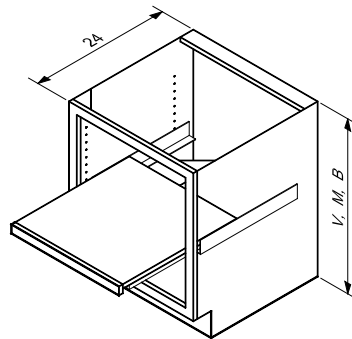
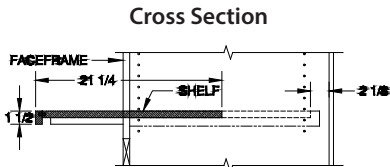
- Frame opening heights: 21-3/4" (Vanity), 24" (Mid), and 27" (Base)
- For width increases beyond 24" there will be two butt-type doors hinged on outside stiles (regardless of door style)
- **Not available:** Inset door styles
- **Note:** must be secured to wall to eliminate potential injury from tipping

Vanity	Mid	Base
VP1DR	MP1DR	BP1DR
VP18*	MP18*	BP18*
VP21*	MP21*	BP21*
VP24*	MP24*	BP24*

## OPEN PRINTER CABINET

### MODIFICATION LIMITS

Width 12" – 36"  
 Height 29-1/4" – 46-1/2"  
 Depth 18", 21" or 24" only



- Finished interior (FMI)
- Inside of frame opening has eased edge
- Sides drilled for system holes
- Adjustable shelf: 3/4" thick, plywood (or plycore) wood veneer with 1-1/2" H double-eased front edge, full-extension undermount guides is installed near center of opening

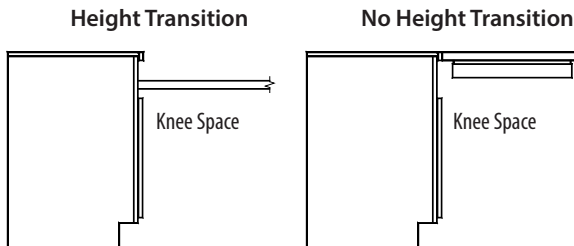
- Frame opening heights: 21-3/4" (Vanity), 24" (Mid), and 27" (Base)
- **Note:** must be secured to wall to eliminate potential injury from tipping

Vanity	Mid	Base
VOP	MOP	BOP
VOP18	MOP18	BOP18
VOP21	MOP21	BOP21
VOP24	MOP24	BOP24

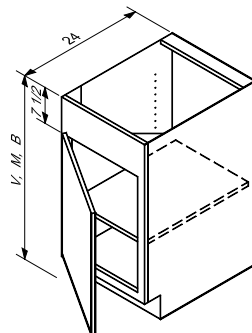
## CORNER HEIGHT TRANSITION CABINET

### MODIFICATION LIMITS

Width 12" – 36"  
 Height 22-1/2" – 46-1/2"  
 Depth 6" – 30"



- Apply (FTK) modification for Flush Toekick
- For width increases beyond 24" there will be two butt-type doors hinged on outside stiles (regardless of door style)



Vanity	Mid	Base
VCHT1DR	MCHT1DR	BCHT1DR
VCHT18*	MCHT18*	BCHT18*
VCHT21*	MCHT21*	BCHT21*
VCHT24*	MCHT24*	BCHT24*

When installed in a corner, the wide top rail allows adjacent counter height to be lowered and provides space for an under-counter keyboard or pencil drawer when adjacent counter heights are the same.

	C0	C1	C2	C4	C4A	C5	C7	C7A	C9	C9A	C10	C10A	C11	C12	C12A	C13	C13A	C14	C15	C16
<b>VANITY PRINTER CABINET</b>																				
VP18*	1336	1379	1426	1548	1548	1760	1437	1437	1525	1525	1543	1543	1601	1623	1623	1652	1652	1708	1823	1954
VP21*	1370	1418	1474	1606	1606	1845	1487	1487	1581	1581	1601	1601	1672	1694	1694	1725	1725	1788	1913	2056
VP24*	1406	1462	1523	1667	1667	1933	1542	1542	1640	1640	1665	1665	1745	1769	1769	1803	1803	1871	2008	2164
<b>MID PRINTER CABINET</b>																				
MP18*	1282	1328	1382	1516	1516	1755	1394	1394	1491	1491	1511	1511	1581	1603	1603	1635	1635	1698	1825	1971
MP21*	1318	1370	1431	1581	1581	1850	1450	1450	1552	1552	1574	1574	1659	1682	1682	1718	1718	1788	1927	2086
MP24*	1353	1414	1484	1645	1645	1949	1506	1506	1615	1615	1649	1649	1740	1764	1764	1801	1801	1877	2032	2206
<b>BASE PRINTER CABINET</b>																				
BP18*	1282	1328	1382	1516	1516	1755	1394	1394	1491	1491	1511	1511	1581	1603	1603	1635	1635	1698	1825	1971
BP21*	1303	1355	1416	1565	1565	1835	1435	1435	1537	1537	1559	1559	1643	1667	1667	1703	1703	1772	1911	2071
BP24*	1353	1414	1484	1645	1645	1949	1506	1506	1615	1615	1649	1649	1740	1764	1764	1801	1801	1877	2032	2206

	C0	C1	C2	C4	C4A	C5	C7	C7A	C9	C9A	C10	C10A	C11	C12	C12A	C13	C13A	C14	C15	C16
<b>VANITY PRINTER CABINET</b>																				
VOP18	1294	1294	1294	1294	1294	1294	1294	1294	1294	1294	1294	1294	1294	1294	1294	1294	1294	1294	1294	1294
VOP21	1328	1328	1328	1328	1328	1328	1328	1328	1328	1328	1328	1328	1328	1328	1328	1328	1328	1328	1328	1328
VOP24	1364	1364	1364	1364	1364	1364	1364	1364	1364	1364	1364	1364	1364	1364	1364	1364	1364	1364	1364	1364
<b>MID PRINTER CABINET</b>																				
MOP18	1325	1325	1325	1325	1325	1325	1325	1325	1325	1325	1325	1325	1325	1325	1325	1325	1325	1325	1325	1325
MOP21	1360	1360	1360	1360	1360	1360	1360	1360	1360	1360	1360	1360	1360	1360	1360	1360	1360	1360	1360	1360
MOP24	1396	1396	1396	1396	1396	1396	1396	1396	1396	1396	1396	1396	1396	1396	1396	1396	1396	1396	1396	1396
<b>BASE PRINTER CABINET</b>																				
BOP18	1325	1325	1325	1325	1325	1325	1325	1325	1325	1325	1325	1325	1325	1325	1325	1325	1325	1325	1325	1325
BOP21	1360	1360	1360	1360	1360	1360	1360	1360	1360	1360	1360	1360	1360	1360	1360	1360	1360	1360	1360	1360
BOP24	1396	1396	1396	1396	1396	1396	1396	1396	1396	1396	1396	1396	1396	1396	1396	1396	1396	1396	1396	1396

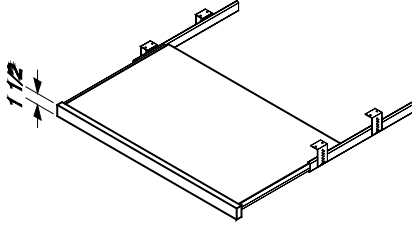
	C0	C1	C2	C4	C4A	C5	C7	C7A	C9	C9A	C10	C10A	C11	C12	C12A	C13	C13A	C14	C15	C16
<b>VANITY PRINTER CABINET</b>																				
VCHT18*	371	419	471	600	600	819	478	478	575	575	595	595	646	668	668	700	700	762	887	1029
VCHT21*	393	448	507	648	648	890	517	517	619	619	641	641	706	728	728	762	762	829	965	1119
VCHT24*	414	475	539	694	694	963	556	556	663	663	690	690	763	785	785	823	823	895	1045	1213
<b>MID PRINTER CABINET</b>																				
MCHT18*	400	453	507	653	653	897	519	519	624	624	646	646	711	733	733	767	767	834	972	1131
MCHT21*	424	483	548	704	704	977	563	563	673	673	697	697	775	797	797	834	834	909	1058	1230
MCHT24*	448	514	587	756	756	1063	605	605	722	722	753	753	843	865	865	906	906	987	1152	1340
<b>BASE PRINTER CABINET</b>																				
BCHT18*	400	453	507	653	653	897	519	519	624	624	646	646	711	733	733	767	767	834	972	1131
BCHT21*	424	483	548	704	704	977	563	563	673	673	697	697	775	797	797	834	834	909	1058	1230
BCHT24*	448	514	587	756	756	1063	605	605	722	722	753	753	843	865	865	906	906	987	1152	1340

# Home Office

## KEYBOARD TRAY – EXPOSED WOOD

### MODIFICATION LIMITS

Width 15" – 36"  
 Height No Height Mods  
 Depth No Depth Mods



- Tray mounts to bottom of counter
- 3/4" thick plywood shelf with 1-1/2" H double-eased front edge
- Finished to match cabinet frame
- Sidemount 3/4 extension 16" guides adjust in height for a 1-3/16" – 2-7/16"

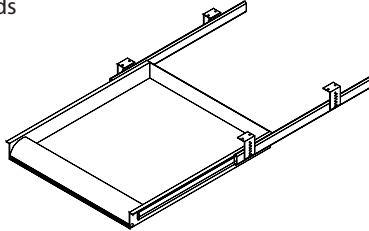
- clearance between top of shelf and bottom of counter
- Overall size is 1/4" narrower than callout width by 17" deep
- Friction latch holds unit in open position

KBEW	MSRP
KBEW24	300
KBEW27	315
KBEW30	331
KBEW33	346
KBEW36	361

## KEYBOARD TRAY – EXPOSED STEEL

### MODIFICATION LIMITS

Width No Width Mods  
 Height No Height Mods  
 Depth No Depth Mods

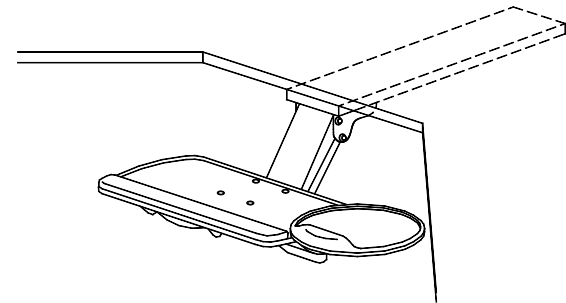


- Mounts to bottom of counter
- 21-3/4" W x 18" D
- Black sidemount full-extension guides have seven height adjustments to allow

- 1-5/8" – 3" clearance between top of shelf and mounting surface. Add 11/16" to clearance height for overall height.
- Black steel keyboard tray has adjustable black PVC wrist rest
- Friction latch holds unit in open position

KBES	MSRP
KBES	443

## KEYBOARD TRAY – DELUXE



- 18" D, mounts to bottom of counter
- Full-extension track with mechanism arm that swivels in all positions
- Tilt and height adjustments (up to 6") are accomplished with a single lever
- Keyboard platform dimension: 20-3/8" W x 10-11/16" D
- Black textured plastic with gel wrist rest

- Mouse platform (10" diameter) tilts and swivels, comes with gel wrist rest
- Mouse platform may be mounted to left or right side of keyboard tray
- Approximately 33" (width) required for complete installation

KBDLX	MSRP
KBDLX	1187



# Home Office

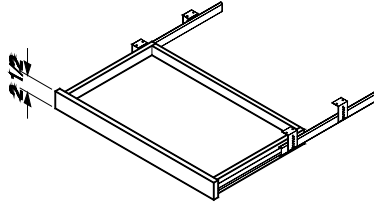
## DESK PENCIL DRAWER – WOOD

### MODIFICATION LIMITS

Width 12" – 36"  
 Height No Height Mods  
 Depth No Depth Mods

- 16" side mount 3/4 extension guides mount to bottom of counter
- Total depth: 17"
- 2-1/8" Natural Maple hardwood dovetail drawer

- 2-1/2" slab drawer front matches frame species and color specified on order
- Front size: 1/4" narrower than callout width
- Friction latch holds unit in open position



DPDW	MSRP
DPDW15	339
DPDW18	348
DPDW21	356
DPDW24	365
DPDW27	373
DPDW30	382

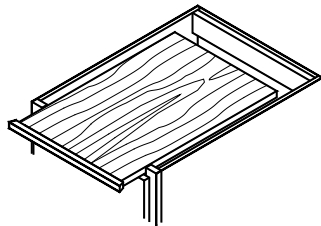
## EXPOSED WRITING BOARD

### MODIFICATION LIMITS

Width No Width Mods  
 Height No Height Mods  
 Depth No Depth Mods

- 3/4" thick plywood veneer writing board has solid wood front (pull)
- Metal channel guides are attached to cabinet interior

- Loose kit includes writing board & guides
- To retrofit in existing cabinet, rail above drawer must be removed
- **Not available:** in cabinets less than 24" D



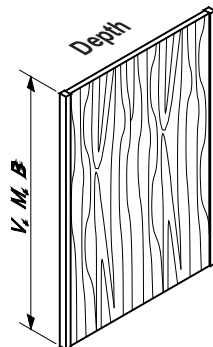
Loose Kit		Installed	
EWBK__	MSRP	IEWBK__	MSRP
EWBK15	192	IEWBK15	234
EWBK18	220	IEWBK18	263
EWBK21	253	IEWBK21	295
EWBK24	285	IEWBK24	327
EWBK27	315	IEWBK27	358

## SUPPORT PANEL

### MODIFICATION LIMITS

Width No Width Mods  
 Height 12" – 48"  
 Depth 6" – 48"

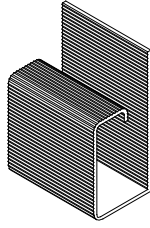
- 3/4" thick plywood (or plycore), finished both faces
- Vertical edges are 1" wide by 3/4" thick, eased on front edges
- Depth dimension is across the grain
- Species and finish match frame specifications on order



Vanity		Mid		Base	
SP_V	MSRP	SP_M	MSRP	SP_B	MSRP
SP12V	202	SP12M	210	SP12B	222
SP18V	241	SP18M	251	SP18B	268
SP24V	278	SP24M	293	SP24B	312
SP30V	317	SP30M	334	SP30B	356
SP36V	354	SP36M	375	SP36B	402

# Home Office

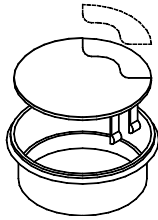
## WIRE (CABLE) TRUNKING



- Black plastic cable trunking has pressure-sensitive adhesive tape on back
- Overall size is 1-1/8" x 2-3/8" x 98-7/16"
- Cable clearance is approximately 1" x 1-1/2"
- May be mounted vertically in corner, or horizontally above or below counter

WIRE96	MSRP
WIRE96	107

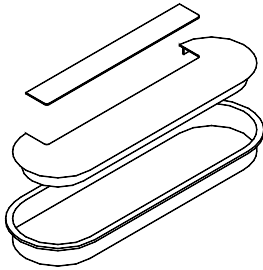
## GROMMET – ROUND



- Black plastic two-piece grommet has break-away tab on cap cover
- Overall dimensions : 2-13/16" diameter x 1" deep (sleeve is 7/8" deep)
- Pressure fit (or glue) into 2-3/8" diameter hole

GROM-R	MSRP
GROM-R	34

## GROMMET – ELONGATED



- Black plastic two-piece grommet has break-away tab on cap cover
- Overall dimensions: 3" x 6-1/2" x 3/4" (sleeve is 11/16" deep)
- Pressure fit (or glue) into 2-9/16" x 6-1/8" hole (with 2-9/16" diameter ends)

GROM-E	MSRP
GROM-E	34

# Accessories - General Information

Our comprehensive collection of wood mouldings, valances, toekick treatments, ornaments, corbels and legs allow you to customize our cabinetry to fit your taste and style. You choose the design and we'll provide the cabinetry and accessories for you to create a masterpiece.

## Wood Species

- Unless otherwise specified in the item description, finished wood accessories are available in the following species: Maple, Cherry, Alder, Beech, Hickory, Red Oak, Sapele and Black Walnut
- Finished wood accessories will match that of the cabinet frame
- Mouldings and wood accessories will be clear for Rustic orders

## Alder, Black Walnut and Sapele Notes:

- **Alder & Sapele** are not available for items over 96" long (exceptions are noted)
- **Alder** is available on 3/4" thick material over 96" except for moulding
- **Alder, Black Walnut & Sapele** require PLY substrate for 1/2" and 3/4" thick panels (CP, FP & TEP)
- **Black Walnut & Sapele** are not available in 3/8" thick panels or beaded items

## Usable Moulding Lengths

- Mouldings are pre-trimmed by supplier prior to shipment to our facility
- Before product is finished, changes in temperature and humidity may cause ends of wood to crack or split
- We incorporate packaging and handling measures to reduce this natural occurrence but cannot guarantee against it altogether
- Guaranteed continuous, usable moulding:  
84" when a 96" length is ordered | 108" when a 120" piece is ordered
- Please take this into consideration when designing and placing orders

## Painted Materials

- Wood painted accessories are available
- While we reserve the right to use the substrate of our choice, tight-grained, solid woods with smooth surfaces are typical
- Thermofoil door styles: paint is formulated to be compatible with our White or Crème Thermofoil doors. We cannot guarantee an exact match due to the number of variables and material types involved in the process
- As with all finished products, painted items must not come in contact with prolonged moisture or warranty will become void

## Embossed Materials

- Some mouldings are created by using a process called "embossing" in which the pattern or detail is pressed into the wood at high temperature
- Burn marks and darkened areas in the wood are inherent results of embossing, and are not to be considered defects in the product
- Refer to specifications page to determine if a specific item is embossed

## Decorative Hardware

Our offering includes a selection of Decorative Hardware items that are pictured at the end of the accessories section. Samples may be ordered or viewed if you visit our showroom.

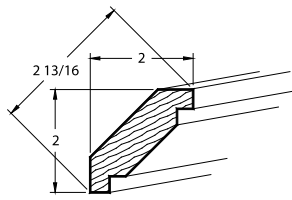
## Brown Wood, Inc. products

We offer the entire "Designs of Distinction" collection by Brown Wood, Inc. Most of the items are available in our 20-20 electronic catalogs as well. The BWI catalog may be downloaded from our [website](#); log into CC Business for BWI pricing and 20-20 catalog download.

We reserve the right to change design, specifications, materials and pricing without prior notice

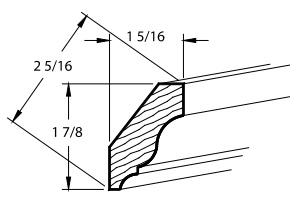
# Accessories - Mouldings

## Crown AC



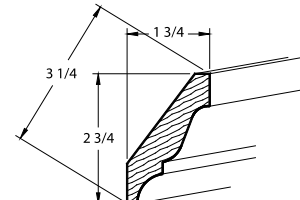
LENGTHS: 96", 120"	MSRP
CRWN-ACX96	161
CRWN-ACX120	215

## Crown 2



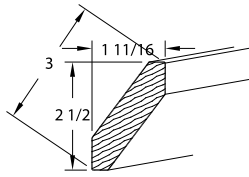
LENGTHS: 96", 120"	MSRP
CRWN2X96	100
CRWN2X120	137

## Crown 3



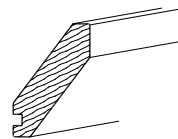
LENGTHS: 96", 120"	MSRP
CRWN3X96	141
CRWN3X120	188

## Crown 3S



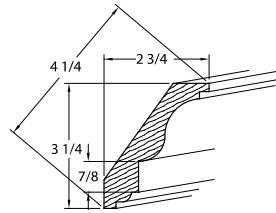
LENGTHS: 96", 120"	MSRP
CRWN3SX96	161
CRWN3SX120	215

Prepped for Mounting Plate



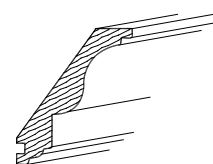
LENGTHS: 96", 120"	MSRP
CRWN3SX96MP	181
CRWN3SX120MP	241

## Crown 4



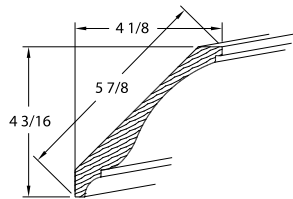
LENGTHS: 96", 120"	MSRP
CRWN4X96	283
CRWN4X120	388

Prepped for Mounting Plate

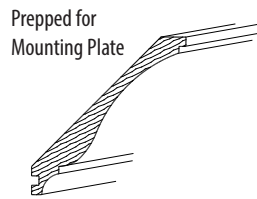


LENGTHS: 96", 120"	MSRP
CRWN4X96MP	304
CRWN4X120MP	414

## Crown 6

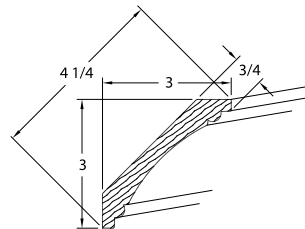


LENGTHS: 96", 120"	MSRP
CRWN6X96	354
CRWN6X120	487



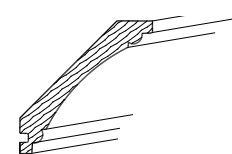
LENGTHS: 96", 120"	MSRP
CRWN6X96MP	375
CRWN6X120MP	512

## Crown CB4



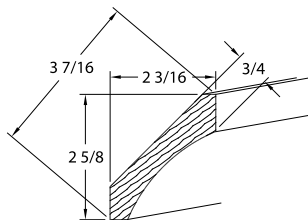
LENGTHS: 96", 120"	MSRP
CRWN-CB4X96	266
CRWN-CB4X120	371

Prepped for Mounting Plate



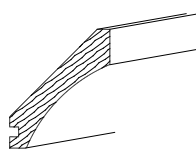
LENGTHS: 96", 120"	MSRP
CRWN-CB4X96MP	287
CRWN-CB4X120MP	392

## Crown CV3



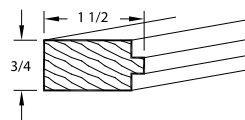
LENGTHS: 96", 120"	MSRP
CRWN-CV3X96	170
CRWN-CV3X120	226

Prepped for Mounting Plate



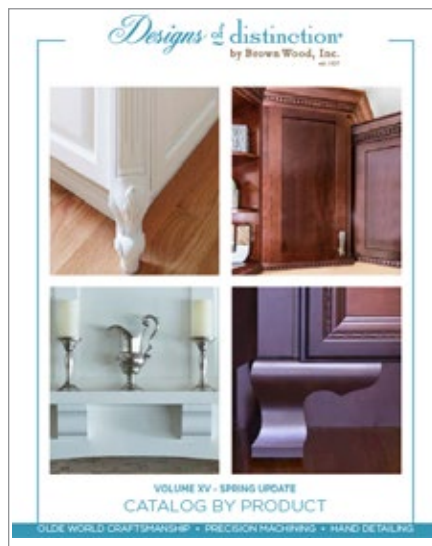
LENGTHS: 96", 120"	MSRP
CRWN-CV3X96MP	190
CRWN-CV3X120MP	246

## Mounting Plate



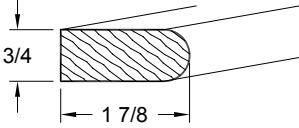
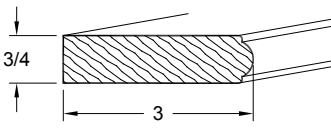
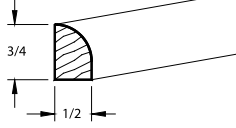
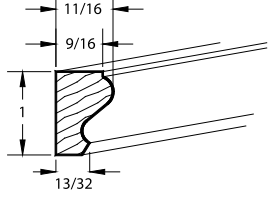
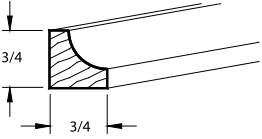
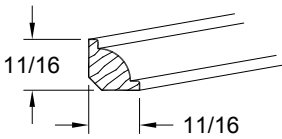
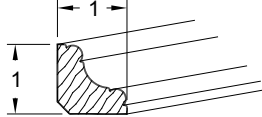
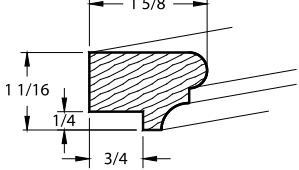
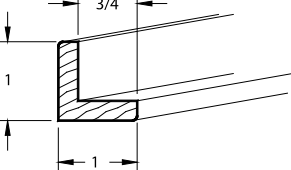
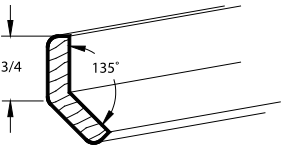
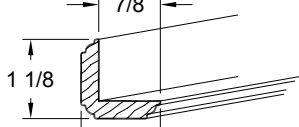
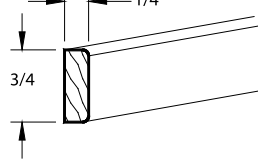
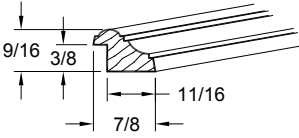
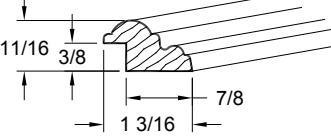
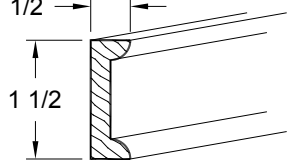
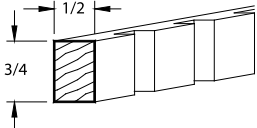
LENGTHS: 96", 120"	MSRP
MP96	115
MP120	158

# Accessories - Mouldings

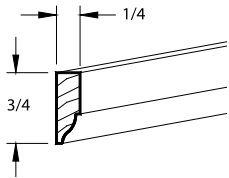
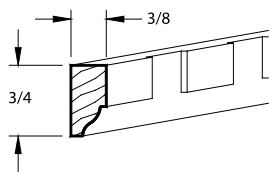
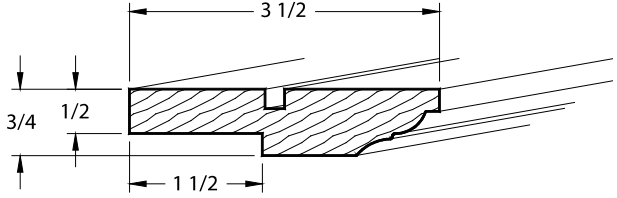
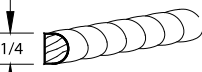
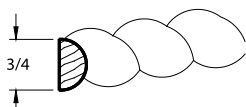
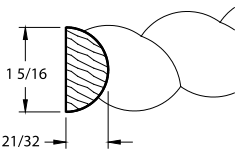
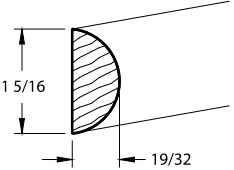
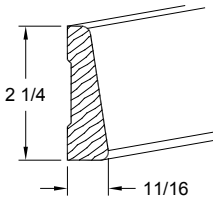
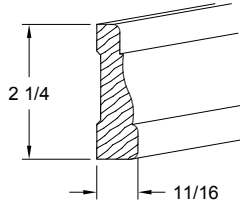
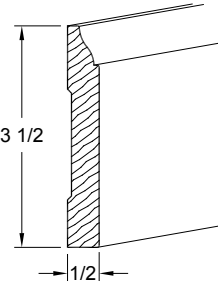
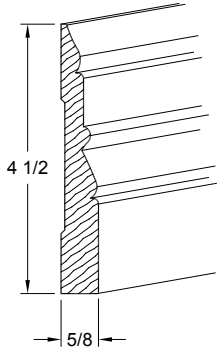
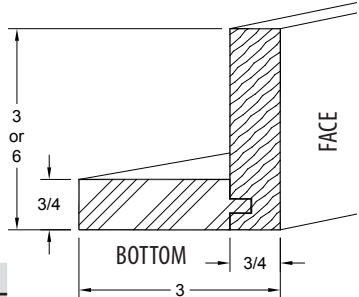


Visit CC Business to see the full Brown Wood Inc. accessories offering.  
<https://www.canyoncreek.com/cc-business/brown-wood-inc-catalogs/>

# Accessories - Mouldings

<p><b>Bull Nose</b></p>  <table border="1" data-bbox="99 499 402 590"> <thead> <tr> <th>LENGTHS: 96", 120"</th> <th>MSRP</th> </tr> </thead> <tbody> <tr> <td>BN96</td> <td>100</td> </tr> <tr> <td>BN120</td> <td>112</td> </tr> </tbody> </table>	LENGTHS: 96", 120"	MSRP	BN96	100	BN120	112	<p><b>Beaded Bull Nose</b></p>  <table border="1" data-bbox="466 499 760 590"> <thead> <tr> <th>LENGTHS: 96", 120"</th> <th>MSRP</th> </tr> </thead> <tbody> <tr> <td>BNB3X96</td> <td>149</td> </tr> <tr> <td>BNB3X120</td> <td>185</td> </tr> </tbody> </table>	LENGTHS: 96", 120"	MSRP	BNB3X96	149	BNB3X120	185	<p><b>Base Shoe</b></p>  <table border="1" data-bbox="821 499 1109 590"> <thead> <tr> <th>LENGTHS: 96", 120"</th> <th>MSRP</th> </tr> </thead> <tbody> <tr> <td>BSHM96</td> <td>63</td> </tr> <tr> <td>BSHM120</td> <td>83</td> </tr> </tbody> </table>	LENGTHS: 96", 120"	MSRP	BSHM96	63	BSHM120	83	<p><b>Cap</b></p>  <table border="1" data-bbox="1196 499 1451 558"> <thead> <tr> <th>LENGTH: 96"</th> <th>MSRP</th> </tr> </thead> <tbody> <tr> <td>CAPM96</td> <td>112</td> </tr> </tbody> </table>	LENGTH: 96"	MSRP	CAPM96	112
LENGTHS: 96", 120"	MSRP																								
BN96	100																								
BN120	112																								
LENGTHS: 96", 120"	MSRP																								
BNB3X96	149																								
BNB3X120	185																								
LENGTHS: 96", 120"	MSRP																								
BSHM96	63																								
BSHM120	83																								
LENGTH: 96"	MSRP																								
CAPM96	112																								
<p><b>Inside Corner</b></p>  <table border="1" data-bbox="123 951 370 1010"> <thead> <tr> <th>LENGTH: 96"</th> <th>MSRP</th> </tr> </thead> <tbody> <tr> <td>ICM96</td> <td>63</td> </tr> </tbody> </table>	LENGTH: 96"	MSRP	ICM96	63	<p><b>Inside Corner Ogee</b></p>  <table border="1" data-bbox="485 951 740 1010"> <thead> <tr> <th>LENGTH: 96"</th> <th>MSRP</th> </tr> </thead> <tbody> <tr> <td>ICM96-OG</td> <td>166</td> </tr> </tbody> </table>	LENGTH: 96"	MSRP	ICM96-OG	166	<p><b>Inside Corner Ogee 2</b></p>  <table border="1" data-bbox="837 951 1092 1010"> <thead> <tr> <th>LENGTH: 96"</th> <th>MSRP</th> </tr> </thead> <tbody> <tr> <td>ICM96-OG2</td> <td>166</td> </tr> </tbody> </table>	LENGTH: 96"	MSRP	ICM96-OG2	166	<p><b>Cornice</b></p>  <table border="1" data-bbox="1192 951 1442 1010"> <thead> <tr> <th>LENGTH: 96"</th> <th>MSRP</th> </tr> </thead> <tbody> <tr> <td>COR96</td> <td>137</td> </tr> </tbody> </table>	LENGTH: 96"	MSRP	COR96	137						
LENGTH: 96"	MSRP																								
ICM96	63																								
LENGTH: 96"	MSRP																								
ICM96-OG	166																								
LENGTH: 96"	MSRP																								
ICM96-OG2	166																								
LENGTH: 96"	MSRP																								
COR96	137																								
<p><b>Outside Corner</b></p>  <table border="1" data-bbox="123 1413 370 1472"> <thead> <tr> <th>LENGTH: 96"</th> <th>MSRP</th> </tr> </thead> <tbody> <tr> <td>OCM96</td> <td>63</td> </tr> </tbody> </table>	LENGTH: 96"	MSRP	OCM96	63	<p><b>Outside Corner 135°</b></p>  <table border="1" data-bbox="485 1413 740 1472"> <thead> <tr> <th>LENGTH: 96"</th> <th>MSRP</th> </tr> </thead> <tbody> <tr> <td>OC135M96</td> <td>149</td> </tr> </tbody> </table>	LENGTH: 96"	MSRP	OC135M96	149	<p><b>Outside Corner Ogee</b></p>  <table border="1" data-bbox="837 1413 1092 1472"> <thead> <tr> <th>LENGTH: 96"</th> <th>MSRP</th> </tr> </thead> <tbody> <tr> <td>OCM96-OG</td> <td>149</td> </tr> </tbody> </table>	LENGTH: 96"	MSRP	OCM96-OG	149	<p><b>Scribe</b></p>  <table border="1" data-bbox="1192 1413 1451 1472"> <thead> <tr> <th>LENGTH: 96"</th> <th>MSRP</th> </tr> </thead> <tbody> <tr> <td>MS96</td> <td>44</td> </tr> </tbody> </table>	LENGTH: 96"	MSRP	MS96	44						
LENGTH: 96"	MSRP																								
OCM96	63																								
LENGTH: 96"	MSRP																								
OC135M96	149																								
LENGTH: 96"	MSRP																								
OCM96-OG	149																								
LENGTH: 96"	MSRP																								
MS96	44																								
<p><b>Panel 1</b></p>  <table border="1" data-bbox="99 1864 402 1955"> <thead> <tr> <th>LENGTHS: 96", 120"</th> <th>MSRP</th> </tr> </thead> <tbody> <tr> <td>PNLMLD1-96</td> <td>112</td> </tr> <tr> <td>PNLMLD1-120</td> <td>142</td> </tr> </tbody> </table>	LENGTHS: 96", 120"	MSRP	PNLMLD1-96	112	PNLMLD1-120	142	<p><b>Panel 2</b></p>  <table border="1" data-bbox="466 1864 760 1955"> <thead> <tr> <th>LENGTHS: 96", 120"</th> <th>MSRP</th> </tr> </thead> <tbody> <tr> <td>PNLMLD2-96</td> <td>112</td> </tr> <tr> <td>PNLMLD2-120</td> <td>142</td> </tr> </tbody> </table>	LENGTHS: 96", 120"	MSRP	PNLMLD2-96	112	PNLMLD2-120	142	<p><b>Panel 3</b></p>  <table border="1" data-bbox="821 1864 1109 1955"> <thead> <tr> <th>LENGTHS: 96", 120"</th> <th>MSRP</th> </tr> </thead> <tbody> <tr> <td>PNLMLD3-96</td> <td>102</td> </tr> <tr> <td>PNLMLD3-120</td> <td>126</td> </tr> </tbody> </table>	LENGTHS: 96", 120"	MSRP	PNLMLD3-96	102	PNLMLD3-120	126	<p><b>Dentil</b></p>  <table border="1" data-bbox="1192 1864 1451 1923"> <thead> <tr> <th>LENGTH: 96"</th> <th>MSRP</th> </tr> </thead> <tbody> <tr> <td>DM96</td> <td>136</td> </tr> </tbody> </table>	LENGTH: 96"	MSRP	DM96	136
LENGTHS: 96", 120"	MSRP																								
PNLMLD1-96	112																								
PNLMLD1-120	142																								
LENGTHS: 96", 120"	MSRP																								
PNLMLD2-96	112																								
PNLMLD2-120	142																								
LENGTHS: 96", 120"	MSRP																								
PNLMLD3-96	102																								
PNLMLD3-120	126																								
LENGTH: 96"	MSRP																								
DM96	136																								

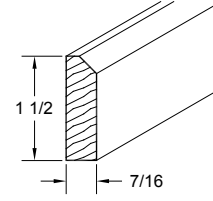
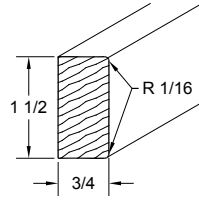
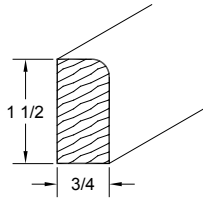
# Accessories - Mouldings

<p><b>Ogee</b></p>  <table border="1" data-bbox="170 506 423 569"> <tr> <td>LENGTH: 96"</td> <td>MSRP</td> </tr> <tr> <td>OGM96</td> <td>49</td> </tr> </table>	LENGTH: 96"	MSRP	OGM96	49	<p><b>Ogee Dentil</b></p>  <table border="1" data-bbox="532 506 786 569"> <tr> <td>LENGTH: 96"</td> <td>MSRP</td> </tr> <tr> <td>OGDM96</td> <td>142</td> </tr> </table>	LENGTH: 96"	MSRP	OGDM96	142	<p><b>Plate Rail</b></p>  <table border="1" data-bbox="1068 506 1321 569"> <tr> <td>LENGTH: 96"</td> <td>MSRP</td> </tr> <tr> <td>PR96</td> <td>187</td> </tr> </table>		LENGTH: 96"	MSRP	PR96	187												
LENGTH: 96"	MSRP																										
OGM96	49																										
LENGTH: 96"	MSRP																										
OGDM96	142																										
LENGTH: 96"	MSRP																										
PR96	187																										
<p><b>Rope - Small</b></p> <ul style="list-style-type: none"> <li>• Available in embossed whitewood only</li> <li>• Random lengths only</li> <li>• Specify total linear feet needed (EX: RMS 8 feet)</li> </ul>  <table border="1" data-bbox="170 905 407 968"> <tr> <td>RMS</td> <td>MSRP</td> <td>PER</td> </tr> <tr> <td></td> <td>13</td> <td>LF</td> </tr> </table>	RMS	MSRP	PER		13	LF	<p><b>Rope</b></p> <ul style="list-style-type: none"> <li>• Machine-carved</li> <li>• <b>Not available:</b> Alder or Sapele</li> </ul>  <table border="1" data-bbox="532 905 776 968"> <tr> <td>LENGTH: 96"</td> <td>MSRP</td> </tr> <tr> <td>RM96</td> <td>153</td> </tr> </table>	LENGTH: 96"	MSRP	RM96	153	<p><b>Rope - Large</b></p> <ul style="list-style-type: none"> <li>• Machine-carved</li> <li>• <b>Not available:</b> Alder or Sapele</li> </ul>  <table border="1" data-bbox="889 905 1133 968"> <tr> <td>LENGTH: 96"</td> <td>MSRP</td> </tr> <tr> <td>RML96</td> <td>309</td> </tr> </table>	LENGTH: 96"	MSRP	RML96	309	<p><b>Half-Round</b></p> <ul style="list-style-type: none"> <li>• Machine-carved</li> <li>• <b>Not available:</b> Alder or Sapele</li> </ul>  <table border="1" data-bbox="1263 905 1507 968"> <tr> <td>LENGTH: 96"</td> <td>MSRP</td> </tr> <tr> <td>HRM96</td> <td>165</td> </tr> </table>	LENGTH: 96"	MSRP	HRM96	165						
RMS	MSRP	PER																									
	13	LF																									
LENGTH: 96"	MSRP																										
RM96	153																										
LENGTH: 96"	MSRP																										
RML96	309																										
LENGTH: 96"	MSRP																										
HRM96	165																										
<p><b>Casing Base - A</b></p>  <table border="1" data-bbox="147 1419 448 1514"> <tr> <td>LENGTHS: 96", 120"</td> <td>MSRP</td> </tr> <tr> <td>CB-A96</td> <td>165</td> </tr> <tr> <td>CB-A120</td> <td>220</td> </tr> </table>	LENGTHS: 96", 120"	MSRP	CB-A96	165	CB-A120	220	<p><b>Casing Base - B</b></p>  <table border="1" data-bbox="505 1419 805 1514"> <tr> <td>LENGTHS: 96", 120"</td> <td>MSRP</td> </tr> <tr> <td>CB-B96</td> <td>165</td> </tr> <tr> <td>CB-B120</td> <td>220</td> </tr> </table>	LENGTHS: 96", 120"	MSRP	CB-B96	165	CB-B120	220	<p><b>Casing Base - C</b></p>  <table border="1" data-bbox="862 1419 1162 1514"> <tr> <td>LENGTHS: 96", 120"</td> <td>MSRP</td> </tr> <tr> <td>CB-C96</td> <td>205</td> </tr> <tr> <td>CB-C120</td> <td>282</td> </tr> </table>	LENGTHS: 96", 120"	MSRP	CB-C96	205	CB-C120	282	<p><b>Casing Base - D</b></p>  <table border="1" data-bbox="1230 1419 1531 1514"> <tr> <td>LENGTHS: 96", 120"</td> <td>MSRP</td> </tr> <tr> <td>CB-D96</td> <td>239</td> </tr> <tr> <td>CB-D120</td> <td>322</td> </tr> </table>	LENGTHS: 96", 120"	MSRP	CB-D96	239	CB-D120	322
LENGTHS: 96", 120"	MSRP																										
CB-A96	165																										
CB-A120	220																										
LENGTHS: 96", 120"	MSRP																										
CB-B96	165																										
CB-B120	220																										
LENGTHS: 96", 120"	MSRP																										
CB-C96	205																										
CB-C120	282																										
LENGTHS: 96", 120"	MSRP																										
CB-D96	239																										
CB-D120	322																										
<p><b>Moulding Risers</b></p> <ul style="list-style-type: none"> <li>• Available 3" or 6" high</li> <li>• Finished face and bottom</li> <li>• Face material is solid wood</li> <li>• Bottom is always plywood</li> </ul>  <table border="1" data-bbox="164 1881 464 1976"> <tr> <td>LENGTH: 96"</td> <td>MSRP</td> </tr> <tr> <td>MR396</td> <td>356</td> </tr> <tr> <td>MR696</td> <td>505</td> </tr> </table>		LENGTH: 96"	MSRP	MR396	356	MR696	505																				
LENGTH: 96"	MSRP																										
MR396	356																										
MR696	505																										

# Accessories - Self Edge & Backsplash

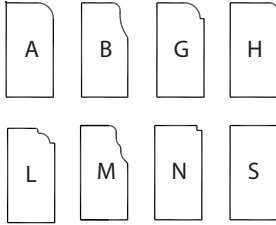
## Self-Edge (1-1/2" Tall)

- Finished one face and two long edges
- Edge detail applied to one edge
- Add edge detail to nomenclature when ordering (EX: SE96A)

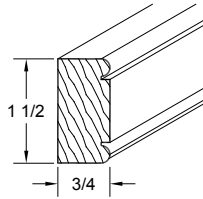


LENGTHS: 96", 120"	MSRP
SE96	66
SE120	90

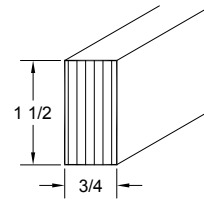
LENGTHS: 96", 120"	MSRP
SE96C	66
SE120C	90



LENGTHS: 96", 120"	MSRP
SE96__	102
SE120__	141

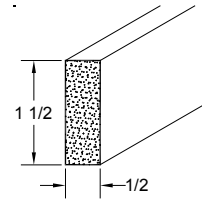


LENGTHS: 96", 120"	MSRP
SE96DB	134
SE120DB	170



LENGTH: 96"	MSRP
SE96PLY	22

Plycore, not finished

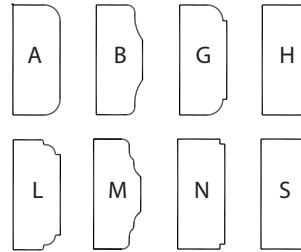
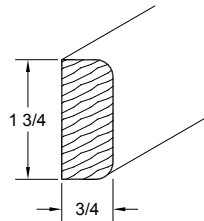


LENGTH: 96"	MSRP
SE96PB	22

Particleboard, not finished

## Self-Edge (1-3/4" Tall)

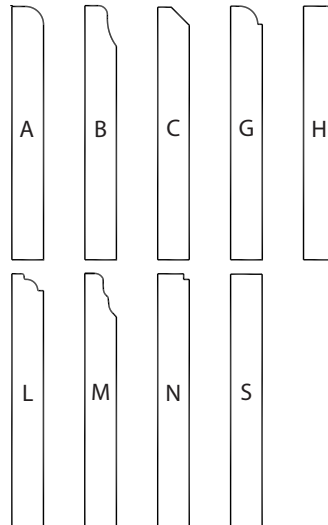
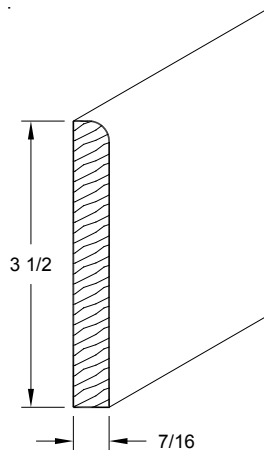
- Finished one face and two long edges
- Edge detail applied to two edges
- Add edge detail to nomenclature when ordering (EX: SE96A2)



LENGTHS: 96", 120"	MSRP
SE96__2	134
SE120__2	170

## Backsplash (3-1/2" Tall)

- Finished one face and detailed edge
- Edge detail applied to one edge
- Add edge detail to nomenclature when ordering (EX: BSP96M)



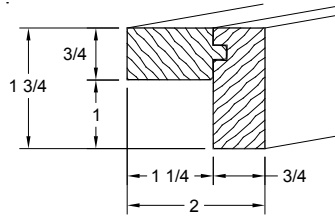
LENGTHS: 96", 120"	MSRP
BSP96__	105
BSP120__	141



# Accessories - Light Valances & Arched Valances

## Light Valance (1-3/4" Tall)

- Prepped for and includes loose mounting plate (MP)
- Specify edge detail when ordering (EX: LV1.75X96G2)

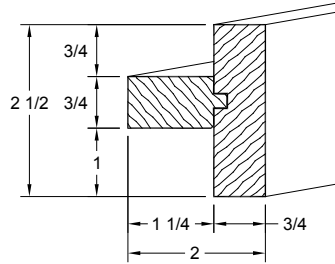


Shown with MP assembled

LENGTHS: 96", 120"	MSRP
LV1.75X96__	285
LV1.75X120__	392

## Light Valance (2-1/2" Tall)

- See notes above

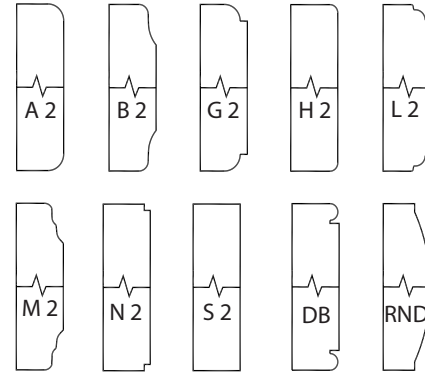


Shown with MP assembled

LENGTHS: 96", 120"	MSRP
LV2.5X96__	331
LV2.5X120__	455

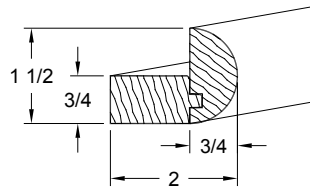
## Light Valance Edge Details

- For 1-3/4" & 2-1/2" tall only



## Light Valance (1-1/2" Tall)

- Bull nose edge detail only
- Shipped assembled

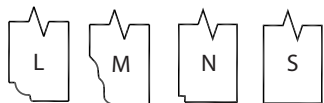
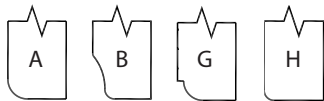


Shown with MP assembled

LENGTHS: 96", 120"	MSRP
LV1.5X96BN	395
LV1.5X120BN	480

## Arched Valances

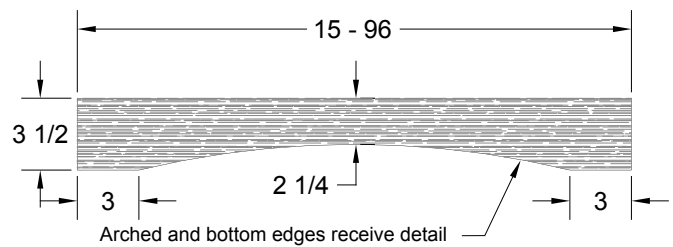
- Lengths: from 15" min. to 96" max.
- Edge-glued solid wood
- Finished two faces and arched edge
- Edge detail is applied to arched and bottom edges
- Radius of arc depends on length of valance (36" shown)



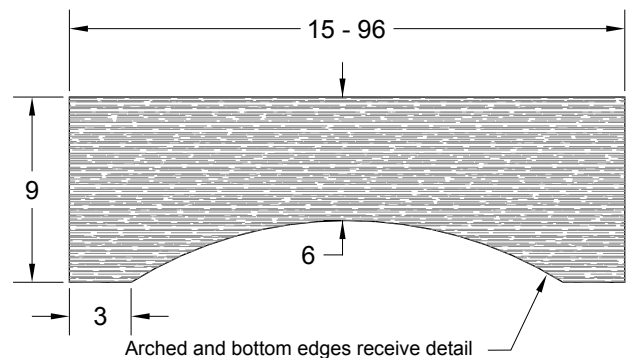
HOW TO ORDER		
Valance +	Length (1" increments)	Edge Detail
AVAL	36	B

	MSRP (per lineal inch)	Min. MSRP	Max. MSRP
AVAL	4.24	119	339
CVAL	5.94	170	475

### Arch Valance - AVAL



### Country Valance - CVAL

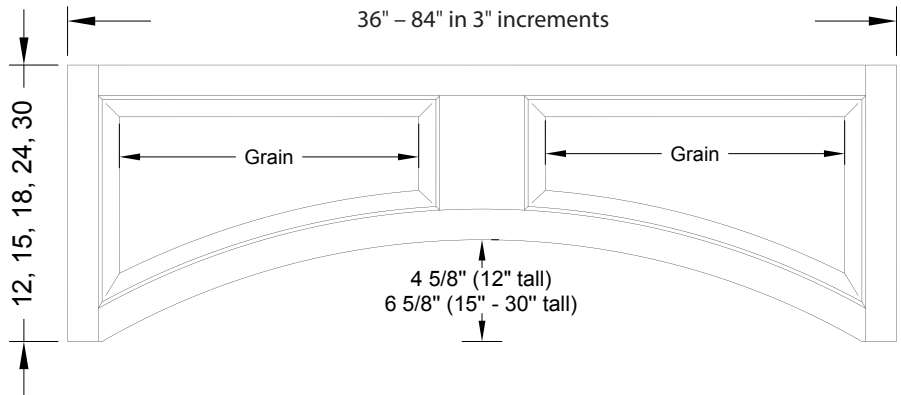




# Accessories - Decorative Valance

## Decorative Valance

- Stile and rail construction with inserted panels
- Available in recessed, solid and raised panel stile and rail wood door styles (Exceptions listed below)
- Radius of arc depends on overall length (54" shown)
- Style of valance determined by door style ordered
- Horizontal grain on panels, top and bottom rail (Exception noted below)
- Vertical grain on center mullion and side stiles
- Top, side and bottom edges will be square
- Both sides and all edges will be finished
- No modifications are allowed



Decorative Valance shown with Raised Panels

### EXCEPTIONS BY DOOR STYLE

#### Center styles:

- Will not have a center divider in panel section of valance

#### Roman door styles:

- Tops of panels will be square

#### M&T w/ 3" or greater stiles and rails:

- Valance will be 2-1/4" stile and rail construction

### NOT AVAILABLE IN THE FOLLOWING DOOR STYLES:

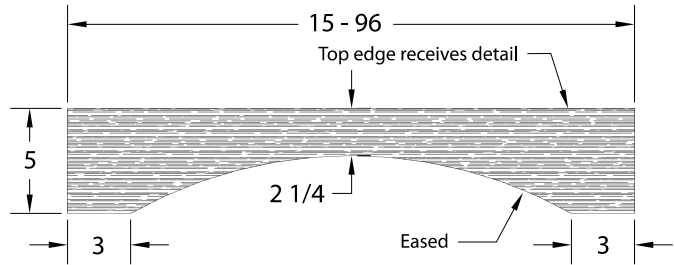
Mitered & Applied Moulding	Garrison
Laminate & Thermofoil	Kingston Solid
Slab Wood & Wood Veneer	Cape Cod Solid

12" H	C7	C10	15" H	C7	C10	18" H	C7	C10	24" H	C7	C10	30" H	C7	C10
	C7A	C10A		C7A	C10A		C7A	C10A		C7A	C10A		C7A	C10A
	C9	C12		C9	C12		C9	C12		C9	C12		C9	C12
	C9A	C12A		C9A	C12A		C9A	C12A		C9A	C12A		C9A	C12A
	C11	C14		C11	C14		C11	C14		C11	C14		C11	C14
	C15	C15		C15	C15		C15	C15		C15	C15		C15	C15
DVAL3612	380	422	DVAL3615	397	434	DVAL3618	419	548	DVAL3624	461	765	DVAL3630	543	816
DVAL3912	397	429	DVAL3915	416	460	DVAL3918	438	561	DVAL3924	483	885	DVAL3930	573	945
DVAL4212	414	436	DVAL4215	434	485	DVAL4218	458	575	DVAL4224	505	1007	DVAL4230	602	1075
DVAL4512	432	480	DVAL4515	448	529	DVAL4518	480	690	DVAL4524	526	1021	DVAL4530	638	1091
DVAL4812	451	522	DVAL4815	461	575	DVAL4818	504	806	DVAL4824	544	1035	DVAL4830	673	1106
DVAL5112	465	534	DVAL5115	480	641	DVAL5118	524	926	DVAL5124	570	1209	DVAL5130	690	1465
DVAL5412	480	548	DVAL5415	499	707	DVAL5418	546	1046	DVAL5424	594	1384	DVAL5430	709	1823
DVAL5712	500	568	DVAL5715	517	773	DVAL5718	568	1167	DVAL5724	617	1559	DVAL5730	756	1838
DVAL6012	521	589	DVAL6015	536	840	DVAL6018	589	1287	DVAL6024	641	1733	DVAL6030	804	1854
DVAL6312	536	600	DVAL6315	561	855	DVAL6318	619	1303	DVAL6324	677	1750	DVAL6330	821	1869
DVAL6612	551	614	DVAL6615	587	870	DVAL6618	650	1319	DVAL6624	711	1767	DVAL6630	840	1884
DVAL6912	577	644	DVAL6915	614	887	DVAL6918	678	1335	DVAL6924	745	1784	DVAL6930	918	1900
DVAL7212	604	675	DVAL7215	639	902	DVAL7218	709	1352	DVAL7224	780	1801	DVAL7230	996	1915
DVAL7512	619	687	DVAL7515	655	926	DVAL7518	712	1375	DVAL7524	797	1815	DVAL7530	1013	1930
DVAL7812	633	700	DVAL7815	668	950	DVAL7818	717	1399	DVAL7824	812	1828	DVAL7830	1029	1945
DVAL8112	648	773	DVAL8115	683	963	DVAL8118	733	1414	DVAL8124	829	1844	DVAL8130	1048	1961
DVAL8412	663	845	DVAL8415	699	977	DVAL8418	748	1431	DVAL8424	846	1857	DVAL8430	1065	1974

# Accessories - Toekick Valances & Brackets

## Arched Toekick Valance

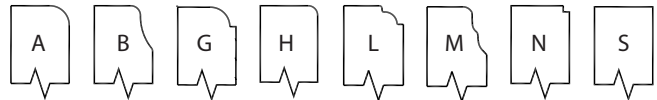
- Lengths: from 15" min. to 96" max.
- 3/4" edge-glued solid wood
- Edge detail applied to top edge
- Finished one face and two long edges
- Radius of arc depends on valance length (36" shown)
- Loose only



### HOW TO ORDER

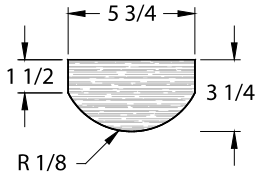
Style +	Length (1" increments)	Edge Detail
TKVAL	36	B

	MSRP (per lineal inch)	Minimum MSRP	Maximum MSRP
TKVAL	5.09	144	407



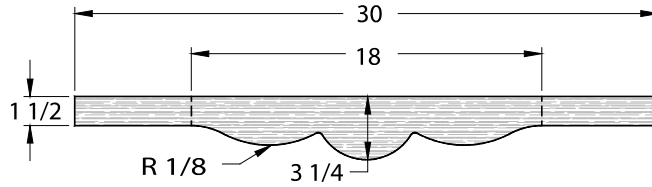
## French Toekick Valances

- 3/4" edge-glued solid wood
- Finished one face and two long edges
- **Not available:** Sapele
- Loose only



### Toekick Insert Radius

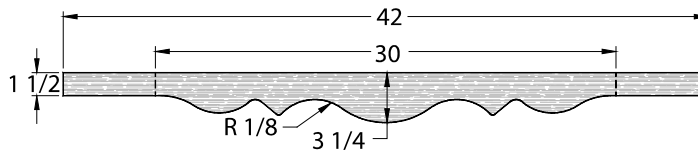
	MSRP
TKI-RAD	119



### French Short

	MSRP
TKV-FS	237

Trim from 18" to 30"



### French Long

	MSRP
TKV-FL	305

Trim from 30" to 42"

## Toekick Brackets

- 3/4" thick edge-glued solid wood
- Finished all sides
- Top and detailed edges have eased edge
- May be trimmed to fit application
- Loose only

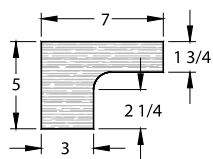
- Brackets come in pairs  
(one left and one right)

Contemporary	MSRP
TKB-CONT	195

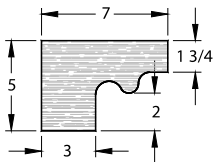
Colonial	MSRP
TKB-COL	195

Southwest	MSRP
TKB-SW	195

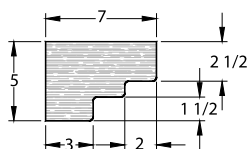
### Contemporary



### Colonial



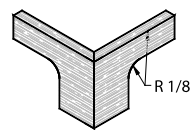
### Southwest



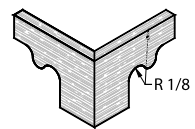
## Toekick Corner Brackets

- See Toekick Bracket notes at left
- Corner brackets come assembled
- Each corner bracket covers one corner
- 5" H x 7" W x 7" D

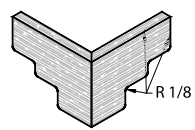
### Contemporary



### Colonial



### Southwest



Contemporary	MSRP
TKCB-CONT	280

Colonial	MSRP
TKCB-COL	280

Southwest	MSRP
TKCB-SW	280

# Accessories - Feet & Corner Posts

## Feet

- Species up-charges apply
- **Not available:** Alder, Beech, Hickory or Sapele
- Feet include dowel screw that is threaded for wood
- When used to support cabinet, additional blocking is required
- Height may be trimmed from most feet
- Ordered individually
- Loose only



SM: 2-1/4" H x 3-1/2" dia.  
LG: 3" H x 5" dia.

## Colonial



5" H x 3-1/2" dia.

## Early American



5" H x 4" dia.

## Dowel Screw Pack



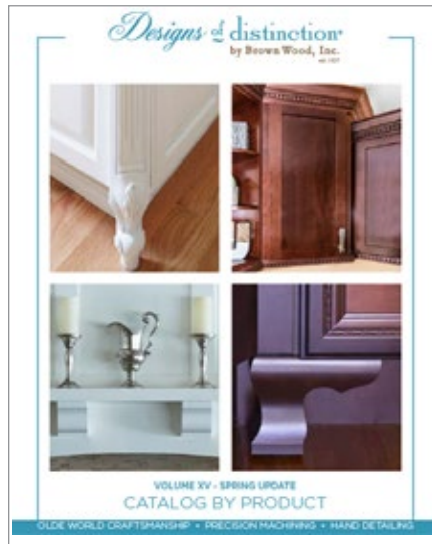
Includes four 5/16" x 2-1/2" dowel screws

	MSRP
FOOT-SBUN	141
FOOT-LBUN	185

	MSRP
FOOT-COL	210

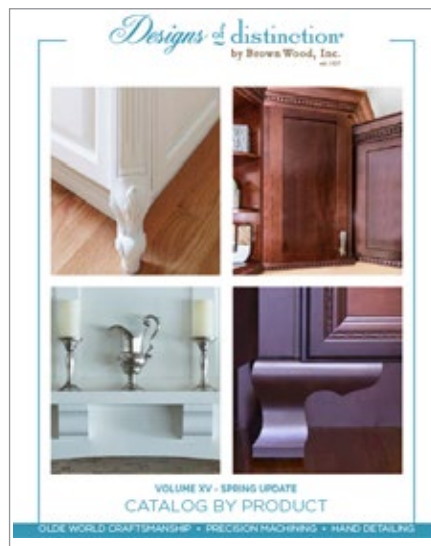
	MSRP
FOOT-EA	219

	MSRP
DSP	34



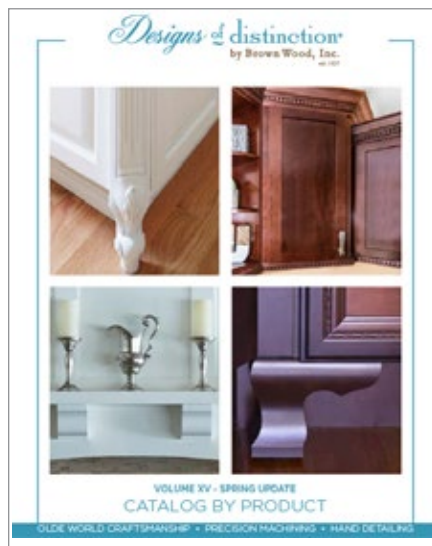
Visit CC Business to see the full Brown Wood Inc. accessories offering.  
<https://www.canyoncreek.com/cc-business/brown-wood-inc-catalogs/>

## Accessories - Corbels & Legs



Visit CC Business to see the full Brown Wood Inc. accessories offering.  
<https://www.canyoncreek.com/cc-business/brown-wood-inc-catalogs/>

# Accessories - Columns



Visit CC Business to see the full Brown Wood Inc. accessories offering.  
<https://www.canyoncreek.com/cc-business/brown-wood-inc-catalogs/>

## Accessories - Custom Columns



Visit CC Business to see the full Brown Wood Inc. accessories offering.  
<https://www.canyoncreek.com/cc-business/brown-wood-inc-catalogs/>



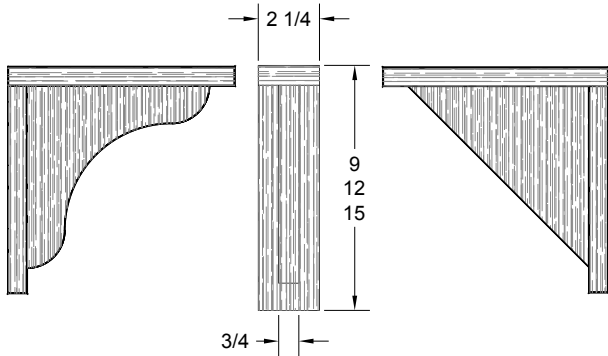
# Accessories - Acanthus & Weaved Collections



Visit CC Business to see the full Brown Wood Inc. accessories offering.  
<https://www.canyoncreek.com/cc-business/brown-wood-inc-catalogs/>

# Accessories - Brackets, Legs & Plinth Blocks

## Brackets



Scalloped Bracket

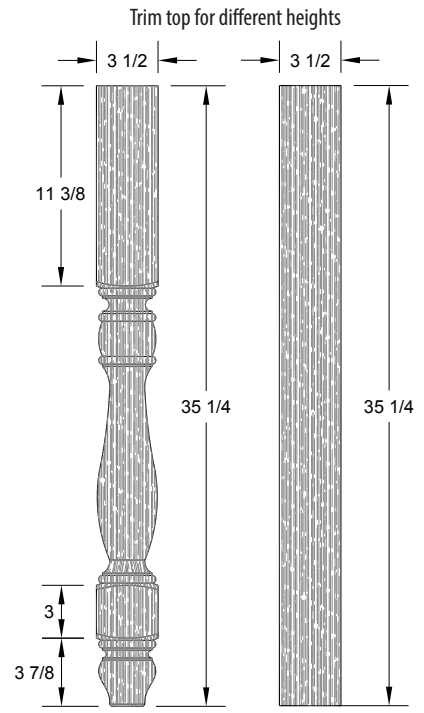
Straight Bracket

	MSRP
BRACK9-S	212
BRACK12-S	251
BRACK15-S	314

	MSRP
BRACK9	131
BRACK12	170

## Legs

- LEG-LT
- LEG35SQ - Edge-glued solid wood with eased edges
- **Not available:** Black Walnut or Sapele



LEG-LT

LEG35SQ

	MSRP
LEG-LT	940
LEG35SQ	580

## Leg Attachment Brackets

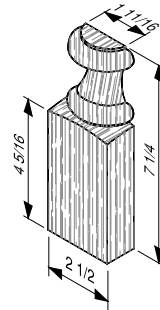
- Includes four 2-7/8" x 4-5/8" corner brackets with hanger bolts, nuts and washers
- Legs and apron pieces require field modification
- Follow directions provided for preparation and assembly



	MSRP
LAB	85

## Half Spool & Base

- 1-1/8" thick
- **Not available:** Alder or Sapele

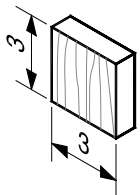


	MSRP
HSB	141

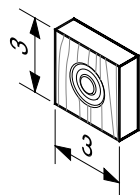
## Plinth Blocks

- Blocks are 7/8" thick
- 1/8" eased front edge on all four sides
- Shipped loose
- **Not available:** Sapele

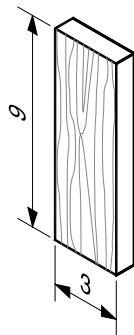
- Examples (right) show application ideas



	MSRP
PB3X3	76

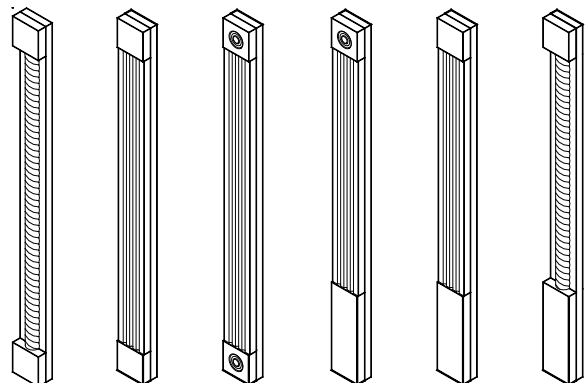


	MSRP
PB3X3R	110



	MSRP
PB3X9	127

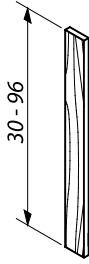
Examples for using Plinth Blocks, Fluted Fillers, Standard Fillers, and RML96



# Accessories - Fillers & Plant-ons

## Standard Fillers

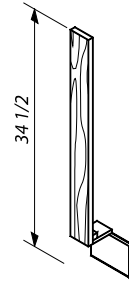
- Fillers wider than 3" may be edge-glued solid wood
- Finished one face and two long edges
- No modifications



3" W	MSRP	6" W	MSRP
SF330	76	SF630	102
SF333	81	SF633	107
SF336	85	SF636	112
SF339	92	SF639	120
SF342	97	SF642	129
SF360	129	SF660	195
SF396	229	SF696	315
SF3120	321	-	-
SFB3	85	SFB6	110
SFM3	85	SFM6	110
SFV3	76	SFV6	102

## Base Square Corner Filler

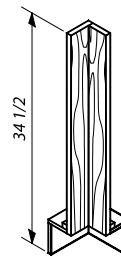
- Shipped with loose Toekick



	MSRP
BSCF3	105

## Base Corner Filler

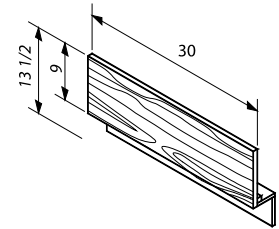
- Shipped assembled
- Inside dimension is 3" x 3"



	MSRP
BCF3X3	158

## Under Range Panel

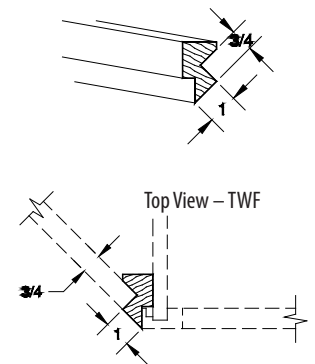
- Face is edge-glued solid wood



	MSRP
URP30	85
URP30-PLY	102

## Transition Wing Filler

- Allows a panel or face frame to be attached to a cabinet at 45° angle
- Finished on 1" face



	MSRP
TWF96	305

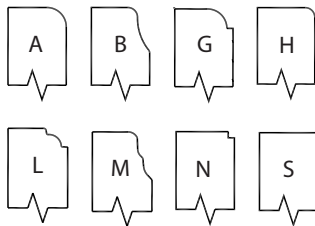
## Scribe Filler Plant-ons

- Use Standard Filler as a backer
- Outside edge detail matches door edge all four sides
- Designed for use with Modified overlay doors
- Actual size is 1/2" narrower and 2" shorter than standard filler (Less Toekick)
- **Note:** Edge detail can be different than door by specifying when ordering (EX: SFPO330B)

### EXCEPTIONS BY DOOR STYLE

#### All Mitered and Thermofoil Door Styles:

- Standard edge detail only (see door style pages for profiles)



#### NOT Available in following door styles:

Alpine	Halifax	Shaker
Athens	Legend	Traditional
Dover	Princeton	



## WALL & TALL CABINETS

3" W	MSRP	6" W	MSRP
SFPO312	68	SFPO612	92
SFPO315	100	SFPO615	112
SFPO318	97	SFPO618	131
SFPO321	112	SFPO621	151
SFPO324	126	SFPO624	170
SFPO327	141	SFPO627	190
SFPO330	154	SFPO630	209
SFPO333	161	SFPO633	219
SFPO336	170	SFPO636	229
SFPO339	178	SFPO639	239
SFPO342	185	SFPO642	249
SFPO345	192	SFPO645	259
SFPO348	198	SFPO648	268
SFPO351	207	SFPO651	278
SFPO354	214	SFPO654	288
SFPO357	220	SFPO657	298
SFPO360	227	SFPO660	307
SFPO384	243	SFPO684	327
SFPO387	249	SFPO687	338
SFPO390	256	SFPO690	346
SFPO393	265	SFPO693	356
SFPO396	271	SFPO696	366

## BASE & VANITY CABINETS

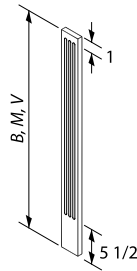
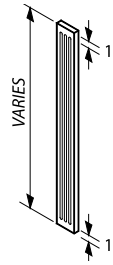
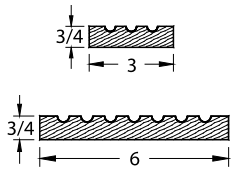
3" W	MSRP	6" W	MSRP
SFPO3B_	119	SFPO6B_	144
SFPO3M_	115	SFPO6M_	141
SFPO3V_	112	SFPO6V_	137

# Accessories - Fillers & Countertop Material

## Fluted Fillers

- Fillers wider than 3" may be edge-glued solid wood
- Finished one face and two long edges
- Base, Vanity, Mid and Tall fillers may be trimmed for Toekick
- No modifications

### Cross Sections



3" W	MSRP
WFF330	119
WFF333	124
WFF336	127
WFF339	136
WFF342	144
WFF345	153
WFF348	161
WFF351	166
WFF354	170
WFF357	175
WFF360	178

6" W	MSRP
WFF630	170
WFF633	178
WFF636	187
WFF639	200
WFF642	212
WFF645	226
WFF648	237
WFF651	246
WFF654	254
WFF657	263
WFF660	271

3" W	MSRP
BFF3	119
MFF3	119
VFF3	119

6" W	MSRP
BFF6	170
MFF6	170
VFF6	170

3" W	MSRP
TFF372	288
TFF378	322
TFF384	356
TFF387	373
TFF390	390
TFF393	407
TFF396	424
TFF3120	551

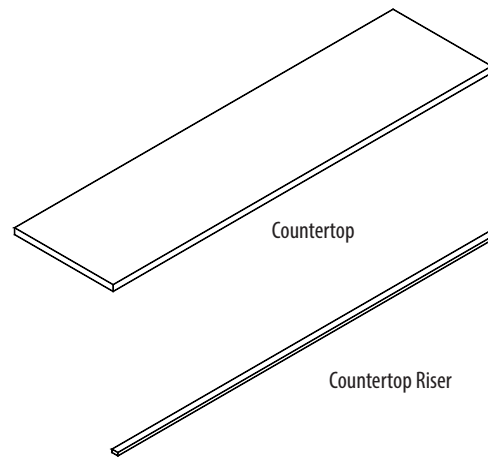
  

6" W	MSRP
TFF672	492
TFF678	526
TFF684	560
TFF687	577
TFF690	594
TFF693	611
TFF696	628

## Raw 3/4" Countertop Materials

- Countertop underlayment is pre-sized for 21" or 24" deep cabinets

	Actual Size	PBD		
		MSRP	PLY MSRP	
<b>COUNTERTOP</b>				
34CT2296	22" D x 96" L	76	115	ea.
34CT2596	25" D x 96" L	81	120	ea.
34CT3696	36" D x 96" L	136	229	ea.
34CT4896	48" D x 96" L	176	239	ea.
<b>RISER MATERIAL</b>				
34RISER-PLY	3/4" x 1-1/2" x 96" Raw	-	15	ea.
34RISER-FIN	3/4" x 2-1/2" x 96" B1E	31	-	ea.
34RISER-FIN-PLY	3/4" x 2-1/2" x 96" B1E	-	34	ea.



# Accessories - Wood Tops

## Wood Tops

- 3/4" plywood (or plycore) with wood veneer face
- Offered with all standard stains, gloss levels and finish enhancements
- Thermofoil orders: tops will be painted Maple (White or Crème)
- LPL or HPL orders: tops will match frame species and color

- All styles of (configured) wood tops are rectangular. Use an SPR (Special Product Request) to request any other shape.
- Nomenclature for each style indicates placement of finished edges

## Depth & Width

- Specify overall **depth** from front to back (across the grain) in 1/4" increments
- Add 1" to cabinet depth if front edge is finished, and another inch if back edge is finished (1/4" overhang + 3/4" thickness of finished edge for each finished edge)
- Min. D: 9" | Max. D: 48"

- Specify overall **width** from left to right (with the grain) in 1/4" increments
- Add 1" to length of cabinets for each finished side (1/4" overhang + 3/4" thickness of finished edge)
- Add additional 3/8" for each finished side when Finished Furniture Ends are used
- Min. W: 12" | Max. W: 120"
- For widths over 96", plycore material will be used and a 50% premium (per square foot) will be applied to MSRP

## Pricing

- Prices are per square foot
- Specify width and length in 1/4" increments
- Round up to next square foot for pricing purposes

## Finished Edges

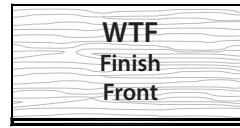
- 3/4" x 1-1/2" solid wood and joined to plywood (or plycore) prior to finishing
- Select an edge detail with a small top radius when butting or joining multiple tops (joints will be tighter and work surface smoother)
- Build-up to fill space between bottom of self-edge and bottom of wood top is **not** provided

## Clipped Corners

- Corners may be clipped at 45° angle to accommodate a 3" x 3" angled filler or cabinet clip, or a 6" x 6" angled filler
- Clipped corners may only be specified when the two adjoining sides are finished
- Specify location (FL, FR, BL, BR) and size (3" or 6") of clip for each corner desired

### HOW TO ORDER

Style	"-"	Edge Detail	Depth	Width	"X"	Clipped Corner
+	+	+	+	+	+	
WTFBLR	-	B	28-1/2	50	X	FL3, FR3



	MSRP (sq. ft.)
WTF	61



	MSRP (sq. ft.)
WTFL	75



	MSRP (sq. ft.)
WTFR	75



	MSRP (sq. ft.)
WTFRLR	88



	MSRP (sq. ft.)
WTFB	81



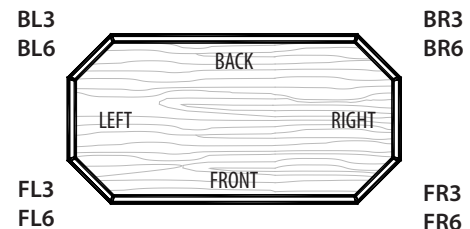
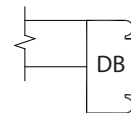
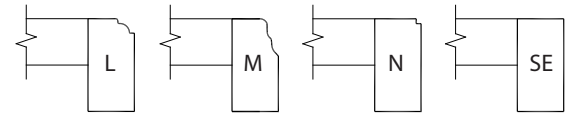
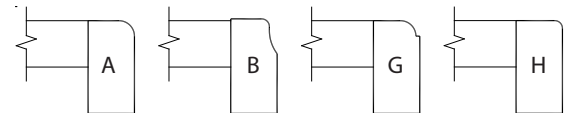
	MSRP (sq. ft.)
WTFBL	95



	MSRP (sq. ft.)
WTFBR	95



	MSRP (sq. ft.)
WTFBLR	115



	MSRP (per clip)
Clipped Corner	229

# Accessories - 1/4" Finished End Panels

## General Information

### Species and Color

- Species and color will coordinate with face frame species and color
- Panels have MDF substrate core and (clear) wood veneer face

### Factory Installation

- Finished Ends may be ordered installed by adding "I" to front of nomenclature
- Add L or R at end for side desired (EX: I14FE1230L)

### Size Modifications

- Not allowed on loose Finished Ends
- For non-standard sizes order Custom Size Panel (CP)
- When factory installed on non-standard cabinet size, order Finished End large enough to cover cabinet end (no modification is required)
- Apply IDA modification if cabinet is deeper than deepest available I\_FE (Max. 30")
- **Not available:** RWA, IWA, RDA, RHA, IHA

### 1/4" Panels Only:

- White Thermofoil receives White paint with melamine top coat on MDF
- Crème Thermofoil receives Crème paint applied to 1/4" thick wood veneer

### Beaded Panels:

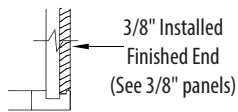
- Beads are spaced every 1-1/2"
- Distance from edge of panel to first groove is random
- To order, place a -B after size (EX: 14FE1230-B)
- **Not available:** Sapele

Comparison between 1/4" and 3/8" options

Top View - I14FE



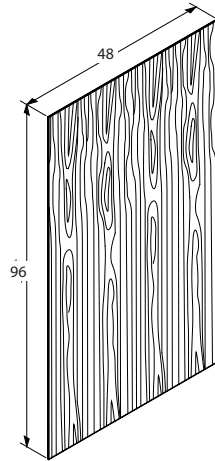
Top View - I38FE



11-1/4 x 96"	MSRP
14UWP96	131

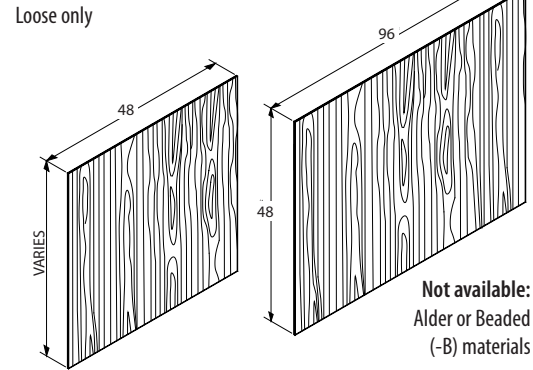
## Loose Panels - 1/4" only

Loose only



## Loose Panels

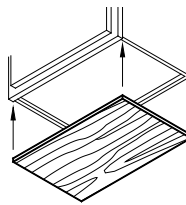
Loose only



## Under Wall Panel - 1/4" only

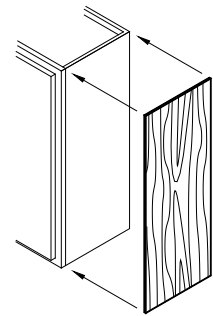
Loose only

- For best results order wall cabinet with Prep for Under Wall Panel (PUWP) modification
- UWP attaches to bottom of cabinet ends and back, and butts (flush) against back of cabinet frame
- Additional filler blocking may be required
- **Not available:** Beaded (-B)



## Wall Finished Ends

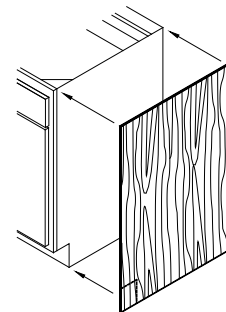
Loose or Installed



## Base, Mid & Vanity Finished Ends

Loose or Installed

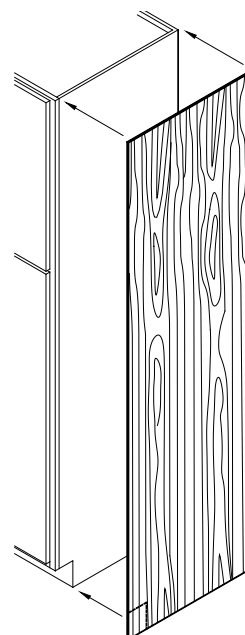
- Toekick will be notched when factory installed
- Note: Corner cabinets which, when installed normally, feature a void in the back are not available with installed Finished Ends (EX: BSA and FBCC)



## Tall Finished Ends

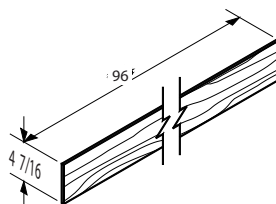
Loose or Installed

- Toekick will be notched when factory installed
- On 96" tall cabinets with (standard) loose Toekick, installed Finished Ends will cover only the box portion of cabinet
- If attached Toekick is ordered (ATK modification), installed Finished Ends will cover entire cabinet, including Toekick



## Toeboard Front - 1/4" only

- Loose only
- **Not available:** Beaded (-B)



TBF96	MSRP
	49

# Accessories - 1/4" Finished End Panel Pricing

1/4" FINISHED ENDS		FE (Loose)	IFE (Install)*	-B (Beaded)	IFE-B (Install Beaded)*
by cabinet depth & height					
ITEM	12" D	MSRP			
14FE1212	12" H	27	103	35	112
14FE1215	15" H	29	105	37	113
14FE1218	18" H	30	106	42	118
14FE1221	21" H	32	108	46	122
14FE1224	24" H	34	110	49	125
14FE1227	27" H	39	115	57	134
14FE1230	30" H	42	118	63	139
14FE1233	33" H	47	123	69	145
14FE1236	36" H	51	127	74	150
14FE1239	39" H	56	132	79	155
14FE1242	42" H	59	135	85	161
14FE1248	48" H	68	144	100	176
14FE1254	54" H	76	152	115	191
14FE1260	60" H	85	161	128	204
14FE1272	72" H	101	177	203	279
14FE1278	78" H	118	194	220	296
14FE1284	84" H	135	211	237	313
14FE1290	90" H	152	228	254	330
14FE1296	96" H	169	245	270	346
14FE12B	Base Height	51	127	88	164
14FE12M	Mid Height	51	127	88	164
14FE12V	Vanity Height	46	122	83	159
ITEM	18" D	MSRP			
14FE18B	Base Height	56	132	93	169
14FE18M	Mid Height	56	132	93	169
14FE18V	Vanity Height	51	127	88	164
ITEM	21" D	MSRP			
14FE2184	84" H	208	284	309	385
14FE2190	90" H	225	301	326	402
14FE2196	96" H	242	318	343	419
14FE21B	Base Height	61	137	98	174
14FE21M	Mid Height	61	137	98	174
14FE21V	Vanity Height	56	132	93	169

1/4" FINISHED ENDS		FE (Loose)	IFE (Install)*	-B (Beaded)	IFE-B (Install Beaded)*
by cabinet depth & height					
ITEM	24" D	MSRP			
14FE2412	12" H	34	110	47	123
14FE2415	15" H	42	118	57	134
14FE2418	18" H	51	127	68	144
14FE2421	21" H	59	135	78	154
14FE2424	24" H	68	144	88	164
14FE2427	27" H	76	152	96	172
14FE2430	30" H	85	161	130	206
14FE2433	33" H	93	169	135	211
14FE2436	36" H	101	177	139	215
14FE2439	39" H	110	186	152	228
14FE2442	42" H	118	194	164	240
14FE2448	48" H	135	211	189	265
14FE2454	54" H	152	228	215	291
14FE2460	60" H	169	245	240	316
14FE2472	72" H	203	279	304	380
14FE2478	78" H	220	296	321	397
14FE2484	84" H	237	313	355	431
14FE2490	90" H	254	330	372	448
14FE2496	96" H	270	346	389	465
14FE24B	Base	73	149	110	186
14FE24M	Mid	73	149	110	186
14FE24V	Vanity	68	144	105	181
ITEM	27" D	MSRP			
14FE2784	84" H	304	380	439	515
14FE2790	90" H	321	397	456	532
14FE2796	96" H	338	414	473	549
ITEM	Loose Panels	MSRP			
14FP48B	48" W x Base Height	188	-	282	-
14FP4824	48" W x 24" H	150	-	226	-
14FP4830	48" W x 30" H	169	-	254	-
14FP4836	48" W x 36" H	188	-	282	-
14FP4848	48" W x 48" H	225	-	338	-
14FP4896	48" W x 96" H	375	-	563	-
14FP9648	96" W x 48" H **	642	-	-	-

\*\* 14FP9648 not available in Alder veneer and is not available Beaded (-B)

Base, Mid and Vanity Heights	
FE_B	Base Height: 34-1/2"
FE_M	Mid Height: 31-1/2"
FE_V	Vanity Height: 29-1/2"

HOW TO ORDER - (call-out for FE is cabinet depth x height)				
Description	"I" +	Panel +	Options +	Side Desired
1/4" Installed Finished End	I	14FE		L
(Ordered as a modification to a cabinet W3030, I14FEL)				
1/4" Loose Finished End Beaded		14FE2436	-B	
1/4" Installed Finished End Beaded	I	14FE	-B	R
(Ordered as a modification to a cabinet W3030, I14FE-B R)				
48" Loose (1/4") Finished Panel		14FP4830		

# Accessories - 3/8" Finished End Panels

## General Information

### Species and Color

- Species and color will coordinate with face frame species and color
- Panels have MDF substrate core and (clear) wood veneer face
- **Not available:** Black Walnut or Sapele

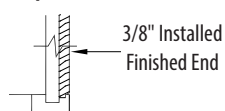
### Factory Installation

- Finished Ends may be ordered installed by adding "I" to front of nomenclature
- Add L or R at end for side desired (EX: I38FE1230L)

### Size Modifications

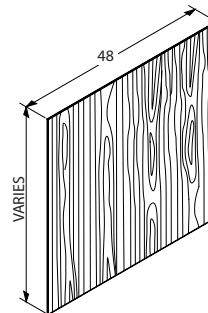
- Not allowed on loose Finished Ends
- For non-standard sizes order Custom Size Panel (CP)
- When factory installed on non-standard cabinet size, order Finished End large enough to cover cabinet end (no modification required)
- Apply IDA modification if cabinet is deeper than deepest available I\_FE (Max. 30")
- **Not available:** RWA, IWA, RDA, RHA, IHA

Top View – I38FE



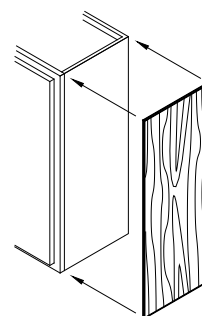
## Loose Panels

Loose only



## Wall Finished Ends

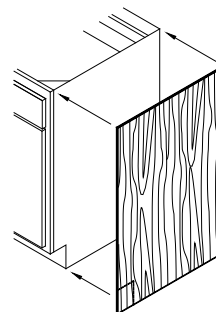
Loose or Installed



## Base, Mid & Vanity Finished Ends

Loose or Installed

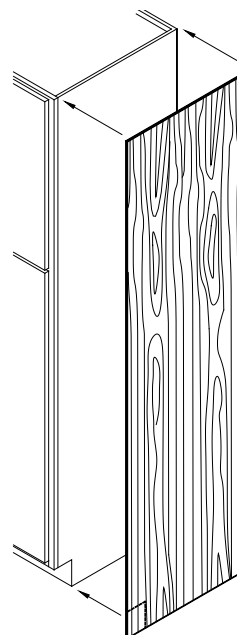
- Toekick will be notched when factory installed
- Note: Corner cabinets which, when installed normally, feature a void in the back are not available with installed Finished Ends (EX: BSA and FBCC)



## Tall Finished Ends

Loose or Installed

- Toekick will be notched when factory installed
- On 96" tall cabinets with (standard) loose Toekick, installed Finished Ends will cover only the box portion of the cabinet
- If attached Toekick is ordered (ATK modification), installed Finished Ends will cover entire cabinet, including Toekick





# Accessories - 3/8" Finished Panel Pricing

3/8" FINISHED ENDS		FE (Loose)	IFE (Install)*
by cabinet depth & height			
ITEM	12" D	MSRP	
38FE1212	12" H	54	130
38FE1215	15" H	57	134
38FE1218	18" H	61	137
38FE1221	21" H	64	140
38FE1224	24" H	68	144
38FE1227	27" H	78	154
38FE1230	30" H	85	161
38FE1233	33" H	93	169
38FE1236	36" H	101	177
38FE1239	39" H	110	186
38FE1242	42" H	118	194
38FE1248	48" H	135	211
38FE1254	54" H	152	228
38FE1260	60" H	169	245
38FE1272	72" H	203	279
38FE1278	78" H	237	313
38FE1284	84" H	270	346
38FE1290	90" H	304	380
38FE1296	96" H	338	414
38FE12B	Base Height	101	177
38FE12M	Mid Height	101	177
38FE12V	Vanity Height	92	167
ITEM	18" D	MSRP	
38FE18B	Base Height	112	188
38FE18M	Mid Height	112	188
38FE18V	Vanity Height	101	177
ITEM	21" D	MSRP	
38FE2184	84" H	416	492
38FE2190	90" H	450	526
38FE2196	96" H	483	559
38FE21B	Base Height	122	198
38FE21M	Mid Height	122	198
38FE21V	Vanity Height	112	188

3/8" FINISHED ENDS		FE (Loose)	IFE (Install)*
by cabinet depth & height			
ITEM	24" D	MSRP	
38FE2412	12" H	68	144
38FE2415	15" H	85	161
38FE2418	18" H	101	177
38FE2421	21" H	118	194
38FE2424	24" H	135	211
38FE2427	27" H	152	228
38FE2430	30" H	169	245
38FE2433	33" H	186	262
38FE2436	36" H	203	279
38FE2439	39" H	220	296
38FE2442	42" H	237	313
38FE2448	48" H	270	346
38FE2454	54" H	304	380
38FE2460	60" H	338	414
38FE2472	72" H	406	482
38FE2478	78" H	439	515
38FE2484	84" H	473	549
38FE2490	90" H	507	583
38FE2496	96" H	543	617
38FE24B	Base Height	145	221
38FE24M	Mid Height	145	221
38FE24V	Vanity Height	135	211
ITEM	27" D	MSRP	
38FE2784	84" H	608	684
38FE2790	90" H	642	718
38FE2796	96" H	676	752
ITEM	Loose Panels	MSRP	
38FP48B	48" W x Base Height	375	-
38FP4824	48" W x 24" H	301	-
38FP4830	48" W x 30" H	338	-
38FP4836	48" W x 36" H	375	-
38FP4848	48" W x 48" H	450	-
38FP4896	48" W x 96" H	668	-

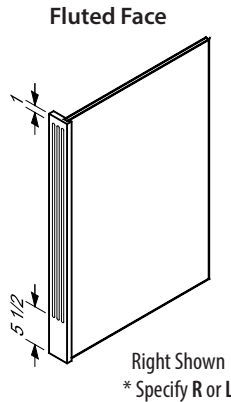
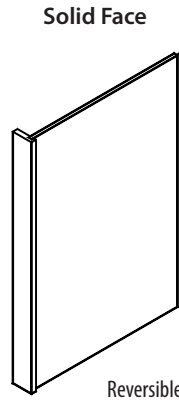
Base, Mid and Vanity Heights	
FE_B	Base Height: 34-1/2"
FE_M	Mid Height: 31-1/2"
FE_V	Vanity Height: 29-1/2"

HOW TO ORDER 3/8" Finished End Installed				
"I" +	Panel +	Cabinet D +	Cabinet H +	Side Desired
I	38FE	12	96	L

# Accessories - End Panels

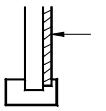
## End Panels

- Filler face mounted on 1/2" thick panel
- Specify particleboard (PBD) or plywood (PLY) panel construction
- Filler faces wider than 3" may be edge-glued solid wood
- Specify finished end application as part of nomenclature (options at right)
- If required, Toekick notch must be cut in field
- Inside of End Panel will match order header interior selection

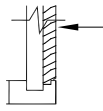


### Top Views

Optional Finished Ends



1/4" Finished End



3/8" Finished End

### Modification Limits

RHA	Reduce H to min. 12"
RDA	Reduce D to min. 6"
IDA	Increase D to max. 30"
IHA, RWA, IWA	Not available

### Finished End Options

-NP	No applied finished end
-14	1/4" finished end applied
-14B	1/4" Beaded finished end applied
-38	3/8" finished end applied
-FE	Flush End (pricing: pg A-34)
-PE	Panel End (pricing: pg A-35)

### HOW TO ORDER

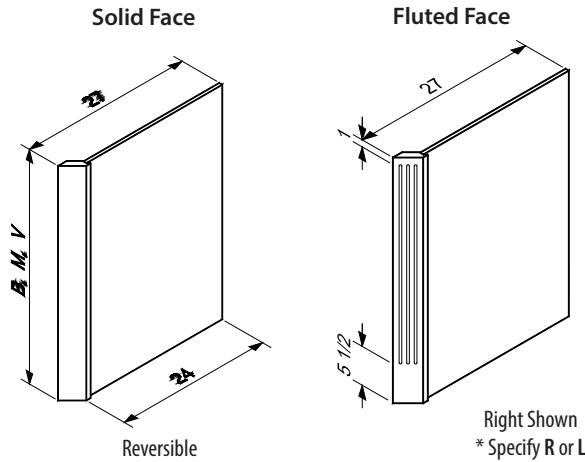
End Panel +	Construction +	Finished End Option +	Side Desired
FTEP384	PLY	-38	R

END PANEL SOLID FACE		PBD-NP	PLY-NP	PBD-14	PLY-14	PBD-14B	PLY-14B	PBD-38	PLY-38	END PANEL FLUTED FACE		PBD-NP	PLY-NP	PBD-14	PLY-14	PBD-14B	PLY-14B	PBD-38	PLY-38
1-1/2" W		MSRP								3" W		MSRP							
VEP1.5	Vanity Ht x 21" D	171	187	304	319	341	356	360	375	FVEP3*	Vanity Ht x 21" D	317	334	449	466	487	504	505	522
MEP1.5	Mid Ht x 24" D	173	192	322	341	360	378	395	414	FMEP3*	Mid Ht x 24" D	319	338	468	487	505	524	541	560
BEP1.5	Base Ht x 24" D	178	197	327	346	365	383	400	419	FBEP3*	Base Ht x 24" D	327	346	477	495	514	533	550	568
TEP1.584	84" H x 27" D	248	302	561	616	680	734	799	853	FTEP384*	84" H x 27" D	544	599	858	912	977	1031	541	1150
TEP1.587	87" H x 27" D	256	310	578	633	697	751	824	879	FTEP387*	87" H x 27" D	570	624	892	946	1011	1065	1138	1192
TEP1.590	90" H x 27" D	265	319	595	650	714	768	850	904	FTEP390*	90" H x 27" D	595	650	926	980	1045	1099	550	1235
TEP1.593	93" H x 27" D	273	327	612	667	731	785	875	929	FTEP393*	93" H x 27" D	621	675	960	1014	1079	1133	1223	1277
TEP1.596	96" H x 27" D	282	336	629	683	748	802	901	955	FTEP396*	96" H x 27" D	646	700	994	1048	1113	1167	1096	1319
3" W		MSRP								6" W		MSRP							
VEP3	Vanity Ht x 21" D	190	207	322	339	360	377	378	395	FVEP6*	Vanity Ht x 21" D	368	385	500	517	538	555	556	573
MEP3	Mid Ht x 24" D	192	210	341	360	378	397	414	432	FMEP6*	Mid Ht x 24" D	370	388	519	538	556	575	592	611
BEP3	Base Ht x 24" D	200	219	349	368	387	405	422	441	FBEP6*	Base Ht x 24" D	380	400	529	550	566	587	602	622
TEP384	84" H x 27" D	332	387	646	700	765	819	884	938	FTEP684*	84" H x 27" D	748	802	1062	1116	1180	1235	1299	1353
TEP387	87" H x 27" D	341	395	663	717	782	836	909	963	FTEP687*	87" H x 27" D	773	828	1096	1150	1214	1269	1342	1396
TEP390	90" H x 27" D	349	404	680	734	799	853	934	989	FTEP690*	90" H x 27" D	799	853	1130	1184	1248	1303	1384	1438
TEP393	93" H x 27" D	358	412	697	751	816	870	960	1014	FTEP693*	93" H x 27" D	824	879	1163	1218	1282	1336	1426	1481
TEP396	96" H x 27" D	366	421	714	768	833	887	985	1040	FTEP696*	96" H x 27" D	850	904	1197	1252	1316	1370	1469	1523
6" W		MSRP								* Specify R or L									
VEP6	Vanity Ht x 21" D	215	232	348	365	385	402	404	421										
MEP6	Mid Ht x 24" D	217	236	366	385	404	422	439	458										
BEP6	Base Ht x 24" D	227	248	377	397	414	434	449	470										
TEP684	84" H x 27" D	419	473	733	787	851	906	970	1024										
TEP687	87" H x 27" D	427	482	750	821	851	923	996	1050										
TEP690	90" H x 27" D	436	490	767	821	885	940	1021	1075										
TEP693	93" H x 27" D	444	499	784	838	902	957	1046	1046										
TEP696	96" H x 27" D	453	507	801	855	919	974	1072	1126										

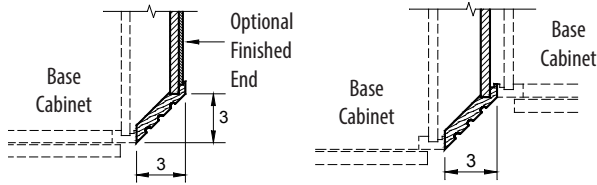
# Accessories - Angled End Panels

## Angled End Panels

- Filler face mounted on 1/2" thick panel
- Specify particleboard (PBD) or plywood (PLY) panel construction
- Filler face may be edge-glued solid wood
- Face of 45° angled filler is 4-1/4"
- Specify finished end application as part of nomenclature (options at right)
- Specify R or L after end option
- If required, Toekick notch must be cut in field
- Inside of End Panel will match order header interior selection



Top Views



HOW TO ORDER		
End Panel +	Construction +	Finished End Option
AVEP3	PBD	-NP

Modification Limits	
RHA	Reduce H to min. 12"
RDA	Reduce D to min. 9"
IDA	Increase D to max. 33"
IHA, RWA, IWA	Not available

Finished End Options	
-NP	No applied finished end
-14	1/4" finished end applied
-14B	1/4" Beaded finished end applied
-38	3/8" finished end applied
-FE	Flush End (pricing: pg A-34)
-PE	Panel End (pricing: pg A-35)

ANGLED END PANEL SOLID FACE		PBD-NP	PLY-NP	PBD-14	PLY-14	PBD-14B	PLY-14B	PBD-38	PLY-38	ANGLED END PANEL FLUTED FACE		PBD-NP	PLY-NP	PBD-14	PLY-14	PBD-14B	PLY-14B	PBD-38	PLY-38
3" W		MSRP								3" W		MSRP							
AVEP3	Vanity Ht x 27" D	297	317	429	449	466	487	485	505	AFVEP3*	Vanity Ht x 27" D	371	392	504	524	541	561	560	580
AMEP3	Mid Ht x 27" D	305	327	455	477	492	514	527	550	AFMEP3*	Mid Ht x 27" D	380	400	529	550	566	587	602	622
ABEP3	Base Ht x 27" D	314	334	463	483	500	521	536	556	AFBEP3*	Base Ht x 27" D	388	409	538	558	575	595	611	631
ATEP384	84" H x 27" D	531	578	845	892	963	1011	1082	1130	AFTEP384*	84" H x 27" D	743	790	1057	1104	1175	1223	1294	1342
ATEP390	90" H x 27" D	568	619	899	950	1018	1068	1153	1204	AFTEP387*	87" H x 27" D	548	599	872	921	990	1040	1118	1167
ATEP396	96" H x 27" D	605	660	953	1007	1072	1126	1225	1279	AFTEP390*	90" H x 27" D	814	865	1145	1196	1264	1314	1399	1450
										AFTEP393*	93" H x 27" D	587	639	926	979	1045	1097	1189	1241
										AFTEP396*	96" H x 27" D	885	940	1233	1287	1352	1406	1504	1559

\* Specify R or L

# Accessories - Columns

## Standard Columns

- Column face and ends follow frame species and color selection
- Box is hollow without top or bottom
- Filler faces wider than 3" may be edge-glued solid wood
- 3" fluted faces have three flutes; 6" fluted faces have seven flutes
- If required, Toekick notch must be cut in field
- Specify H in 1/4" increments x D in 1" increments
- Over 96" H: 50% premium (per square inch) will be applied to MSRP

### PRICING NOTE

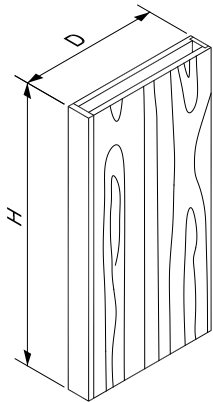
Column Min.	\$288 MSRP ea.
Column Max.	\$1238 MSRP ea.
Max. over 96" H	\$1857 MSRP ea.
Price is per square inch (H x D)	

### Size Limits

Width	3" or 6" only
Height (3" W)	12" - 120"
Height (6" W)	12" - 96"
Depth	6" - 27"

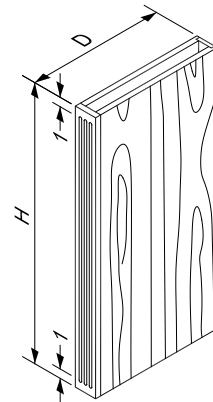
### HOW TO ORDER

Style +	Height +	Depth
FC3	30	13

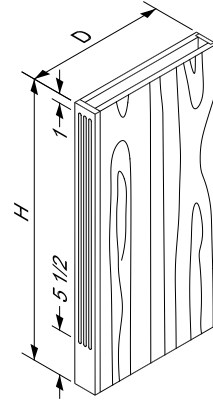


### Standard

- Reversible, except when FTK and PE applied
- Panel Ends (PE) available -Add \$0.51 per square inch per side (Specify one or both sides)
- Max. H with PE is 96"
- If a PE is used with a C3 or C6, top and bottom rails will match a Wall Cabinet PE
- If a PE is used with a C3FTK or C6FTK, top and bottom rails will match a Base Cabinet PE



### Fluted Reversible



### Fluted w/FTK

Standard		MSRP	Standard w/FTK		MSRP	Fluted		MSRP	Fluted w/FTK		MSRP
C3	3" W	0.61	C3FTK	3" W	0.61	FC3	3" W	0.63	FC3FTK	3" W	0.63
C6	6" W	0.66	C6FTK	6" W	0.66	FC6	6" W	0.68	FC6FTK	6" W	0.68

## Angled Columns

- Column face and ends follow frame species and color selection
- Box is hollow without top or bottom
- Face of 45° angled filler is 4-1/4" w/three flutes (when applicable)
- May be edge-glued solid wood
- If required, Toekick notch must be cut in field
- Specify H in 1/4" increments x D in 1" increments

### PRICING NOTE

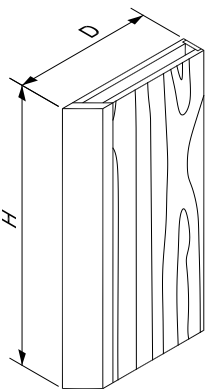
Column Min.	\$288 MSRP ea.
Column Max.	\$1238 MSRP ea.
Price is per square inch (H x D)	

### Size Limits

Width	3"
Height	12" - 96"
Depth	6" - 27"

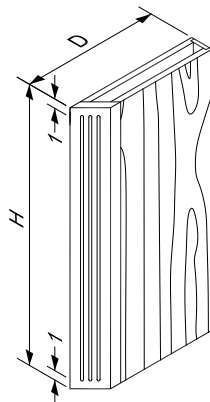
### HOW TO ORDER

Style +	Height +	Depth
AFC3FTK R	34.5	25

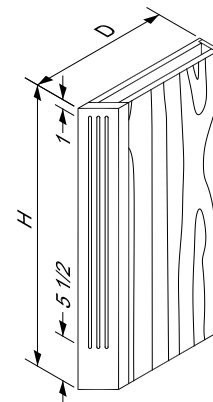


### Standard

- Reversible, except when FTK and PE applied
- Panel Ends available on short side only - Add \$0.51 per square inch
- If a PE is used with a AC3, top and bottom rails will match a Wall Cabinet PE
- If a PE is used with a AC3FTK, top and bottom rails will match a Base Cabinet PE



### Fluted Reversible



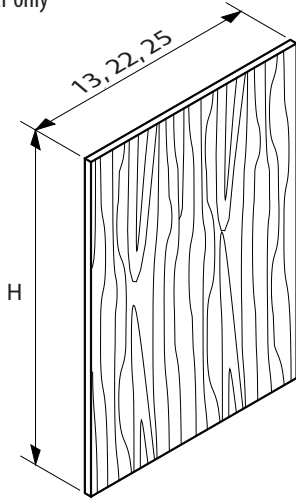
### Fluted w/FTK \* Right Shown

Angle Standard		MSRP	Angle Fluted		MSRP	Angle Fluted w/FTK		MSRP
AC3	3" W	0.71	AFC3	3" W	0.73	AFC3FTK*	3" W w/FTK	0.73
AC3FTK	3" W w/FTK	0.71						* Specify R or L

# Accessories - Pre-sized 3/4" Panels

## 3/4" Finished Panels

- Finished two faces and one long edge
- Pre-sized for 12", 21" and 24" D cabinets
- Particleboard construction standard
- Add -PLY to end of nomenclature for plywood substrate
- Alder available with PLY only



PRE-SIZED 3/4" FINISHED PANEL		PBD	PLY
13" D		MSRP	
34FP13B	Base Height	81	97
34FP13M	Mid Height	75	88
34FP13V	Vanity Height	70	83
34FP1318	18" H	41	49
34FP1324	24" H	54	66
34FP1330	30" H	70	83
34FP1336	36" H	83	100
34FP1342	42" H	97	115
34FP1348	48" H	110	132
34FP1354	54" H	124	149
34FP1360	60" H	137	166
34FP1384	84" H	193	232
34FP1390	90" H	207	248
34FP1396	96" H	220	265

PRE-SIZED 3/4" FINISHED PANEL		PBD	PLY
22" D		MSRP	
34FP22B	Base height	136	163
34FP22M	Mid height	124	149
34FP22V	Vanity height	117	141
34FP2248	48" H	187	224
34FP2254	54" H	210	253
34FP2260	60" H	234	280
34FP2284	84" H	327	392
34FP2290	90" H	349	421
34FP2296	96" H	373	448
25" D		MSRP	
34FP25B	Base height	154	185
34FP25M	Mid height	142	171
34FP25V	Vanity height	132	159
34FP2548	48" H	212	254
34FP2554	54" H	239	287
34FP2560	60" H	265	319
34FP2584	84" H	371	446
34FP2590	90" H	397	477
34FP2596	96" H	424	509

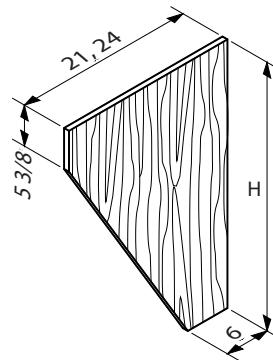
## Edge Tape

- Edge tape is 15/16" W
- May be ordered loose (8' lengths) or applied to a panel
- Available in all species and in PVC in all laminate colors
- Loose edge tape is not pre-glued

Loose Edge Tape		MSRP (roll)
ETL-FIN	Finished Wood	136
ETL-RAW	Unfinished Wood	68
ETL-LAM	PVC (for Laminates)	51

## 3/4" Finished Panels Tapered

- Finished two faces, tapered and 5-3/8" vertical edges
- Pre-sized for 21" and 24" D Base, Mid and Vanity height cabinets
- Particleboard construction standard
- Add -PLY to end of nomenclature for plywood substrate
- Alder available with PLY only



3/4" FINISHED PANEL TAPERED		PBD	PLY
21" D		MSRP (ea)	
34FPT21B	Base height	136	163
34FPT21M	Mid height	124	149
34FPT21V	Vanity height	117	141
24" D		MSRP (ea)	
34FPT24B	Base height	154	185
34FPT24M	Mid height	137	165
34FPT24V	Vanity Height	127	153

## Hood Vent Covers

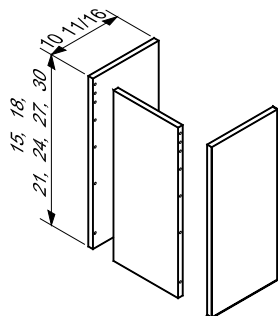
- Sides and front are doweled
- Shipped unassembled
- For non-standard sizes order 3/4" Custom Size Panel

### Species and Color

- Coordinates with face frame species and color
- Painted wood veneer with edge tape provided for Thermofoil orders

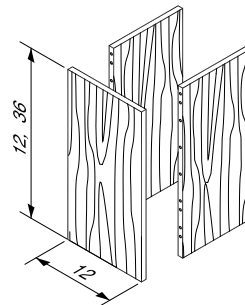
### Substrate Material

- Particleboard substrate is standard
- For plywood substrate add -PLY to end of nomenclature (Ex: 34FP22V-PLY)
- Alder available with PLY only



- Matches order header interior selection
- Overall width is 12" W
- Ends have edge tape on vertical edges
- Front fits between sides
- Callout is cabinet height

INSIDE		PBD	PLY
12" W		MSRP (ea)	
HVCI15	15" H	70	93
HVCI18	18" H	73	100
HVCI21	21" H	86	109
HVCI24	24" H	98	132
HVCI27	27" H	107	144
HVCI30	30" H	115	156



### Modification Limits (HVCI & HVCO)

IWA	Increase W to max. 48"
IDA	Increase D to max. 24"

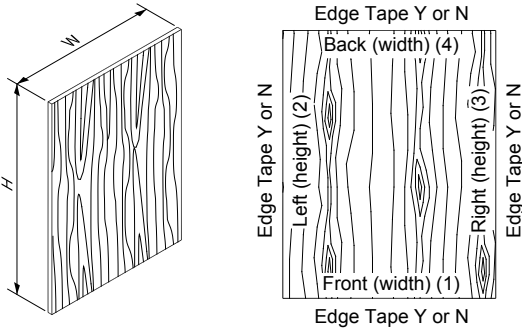
- Face is 12" W
- Edge tape on vertical edges and covers ends
- Callout is actual height
- Overall depth is 12"
- For plywood substrate add -PLY to nomenclature
- N/A: Sapele

OUTSIDE		PBD	PLY
12" W		MSRP (ea)	
HVCO12	12" H	126	146
HVCO36	36" H	249	297

# Accessories - Full Sheet and Custom Size Finished Panels

## Finished Panels: Full Sheet and Custom Size

- Wood Veneer Species: All except Rustic Alder, Rustic Beech, Rustic Hickory and Rustic Maple
- Order Low-Pressure Laminate (LPL) for compatibility with LPL (White or Almond) doors
- Order High-Pressure Laminate (HPL) for compatibility with HPL doors
- WIDTH: Min. 3" | Max. 48"
- HEIGHT: Min. 12" | Max. 96" (unless otherwise noted)
  - Custom panels over 96" H will be PLY F2F only. Not available in Sapele
- Custom panels (CP): list Width first (cross grain), then Height (same direction as grain)
- Alder, Black Walnut & Sapele requires PLY substrate on 1/2" and 3/4" thick panels
- Edge tape selection required on 1/2" and 3/4" panels only



OE Code	Edge Tape Location	MSRP
NNNN	No Edges	0
YYYY	All Edges	54
YNNN	Front Only	14
NNNN	Left Only	14
NNYN	Right Only	14
NNNY	Back Only	14
YYNN	Front & Left	27
YNYN	Front & Right	27
YNNY	Front & Back	27
NYYN	Left & Right	27
NYYN	Left & Back	27
NNYY	Right & Back	27
YYYN	Front, Left, Right	41
YNYN	Front, Right, Back	41
YNNY	Front, Left, Back	41
NYYN	Left, Right, Back	41

Nomenclature Guide	
132	1/32" Thick
14	1/4" Thick
38	3/8" Thick
12	1/2" Thick
34	3/4" Thick
CP	Custom Panel
F1F	Finished front side only
F2F	Finished front and back sides
FMI	Wood Veneer matches door selection
HPL	High-Pressure Laminate
LPL	Low-Pressure Laminate
MCI	Match Cabinet Interior on order header
MDF	Medium Density Fiberboard substrate
PBD	Particleboard substrate
PLY	Plywood or Plycore substrate

**\*Specify which edges will receive edge tape**

Example:

CP STD 3/4 (W)x(H) HPL PBD F2F NYNY

"NYNY" indicates:

No: Front | Yes: Left | No: Right | Yes: Back  
(N/A on 1/32", 1/4" & 3/8")

### PRICING NOTES

1. W x H = Sq inches ÷ 144 for Sq. foot
2. Round up to next whole Sq. foot
3. Multiply by MSRP (Min. price per piece: 3 sq. ft)

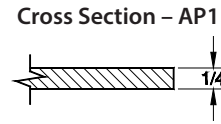
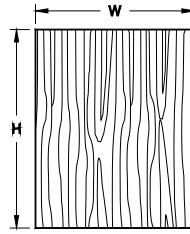
Thickness	Substrate	Front of Panel	Back of Panel	Per Sq Ft. MSRP	Max MSRP/ea	Notes	Nomenclature Electronic Catalog (20-20)	Electronic Catalog (20-20) Description - When ordering, modify description to include Width x Height
1/32	Wood	Wood Veneer	Unfinished	21.96	648		CP132FMI	CP 1/32 (W)x(H) Wood Veneer
1/32	HPL	HPL	Unfinished	16.64	477		CP132HPLY	CP 1/32 (W)x(H) HPL
1/4	MDF	Wood Veneer	Unfinished	14.50	409		CP14FMI	CP 1/4 (W)x(H) Wood Veneer MDF
1/4	MDF	Beaded Wood Veneer	Unfinished	18.55	539	Black Walnut & Sapele N/A	CP14FMIBEADED	CP 1/4 (W)x(H) Beaded Wd Ven MDF
1/4	MDF	White Paint	Unfinished	8.04	202		CP14WHITE	CP 1/4 (W)x(H) Wht Paint MDF
3/8	PLY	Wood Veneer	Unfinished	20.81	611	Black Walnut, Alder & Sapele N/A	CP38FMIPLYF1F	CP 3/8 (W)x(H) Wood Veneer PLY
3/8	PLY	Alder Wood Veneer	Unfinished	28.58	860		CP38FMIPLYF1F-A	CP 3/8 (W)x(H) Alder Wd Ven PLY
1/2	PLY	Wood Veneer	Unfinished	21.71	653		CP12FMIPLYF1F*	CP 1/2 (W)x(H) Wood Veneer PLY F1F*
1/2	PLY	Wood Veneer	Wood Veneer	25.10	762		CP12FMIPLYF2F*	CP 1/2 (W)x(H) Wood Veneer PLY F2F*
1/2	PLY	MCI	MCI	13.47	375		CP12MCIPLYF2F*	CP 1/2 (W)x(H) MCI PLY F2F*
1/2	PBD	Wood Veneer	Unfinished	19.40	565	Alder, Black Walnut & Sapele N/A	CP12FMIPBDF1F*	CP 1/2 (W)x(H) Wood Veneer PBD F1F*
1/2	PBD	Wood Veneer	Wood Veneer	22.79	673	Alder, Black Walnut & Sapele N/A	CP12F*MIPBDF2F*	CP 1/2 (W)x(H) Wood Veneer PBD F2F*
1/2	PBD	MCI	MCI	9.85	259		CP12MCI PBDF2F*	CP 1/2 (W)x(H) MCI PBD F2F*
3/4	PLY	Wood Veneer	Unfinished	23.54	699		CP34FMIPLYF1F*	CP 3/4 (W)x(H) Wood Veneer PLY F1F*
3/4	PLY	Wood Veneer	Wood Veneer	26.93	807	Max H 120" (over 96" H add 50%)	CP34FMIPLYF2F*	CP 3/4 (W)x(H) Wood Veneer PLY F2F*
3/4	PLY	Wood Veneer	MCI	25.37	756	Alder & Beech N/A	CP34FMIMCIPLY	CP 3/4 (W)x(H) Wd Ven/MCI PLY F1F*
3/4	PLY	MCI	MCI	18.93	550		CP34MCIPLYF2F*	CP 3/4 (W)x(H) MCI PLY F2F*
3/4	PLY	HPL	White Melamine	29.97	904	See HPL color selection in General Section	CP34HPPLYF1F*	CP 3/4 (W)x(H) HPL PLY F1F*
3/4	PLY	HPL	HPL	35.41	1079		CP34HPPLYF2F*	CP 3/4 (W)x(H) HPL PLY F2F*
3/4	PBD	Wood Veneer	Unfinished	19.61	572	Alder, Black Walnut & Sapele N/A	CP34FMIPBDF1F*	CP 3/4 (W)x(H) Wood Veneer PBD F1F*
3/4	PBD	Wood Veneer	Wood Veneer	23.00	680	Alder, Black Walnut & Sapele N/A	CP34FMIPBDF2F*	CP 3/4 (W)x(H) Wood Veneer PBD F2F*
3/4	PBD	Wood Veneer	MCI	20.37	597	WGL, Alder, Beech & Sapele N/A	CP34FMIMCIPBD	CP 3/4 (W)x(H) Wd Ven/MCI PBD F1F*
3/4	PBD	MCI	MCI	11.18	302	WGL N/A	CP34MCI PBDF2F*	CP 3/4 (W)x(H) MCI PBD F2F*
3/4	PBD	LPL White	LPL White	12.08	331		CP34LPLWPBDF2F*	CP 3/4 (W)x(H) LPL White PBD F2F*
3/4	PBD	LPL Almond	LPL Almond	12.08	331		CP34LPLAPBDF2F*	CP 3/4 (W)x(H) LPL Almond PBD F2F*
3/4	PBD	HPL	White Melamine	24.51	729	See HPL color selection in General Section	CP34HPPBDF1F*	CP 3/4 (W)x(H) HPL PBD F1F*
3/4	PBD	HPL	HPL	28.65	862		CP34HPPBDF2F*	CP 3/4 (W)x(H) HPL PBD F2F*



# Accessories - Appliance Panels (AP1, AP2 & APDR)

## Appliance Panel #1: 1/4" Panel

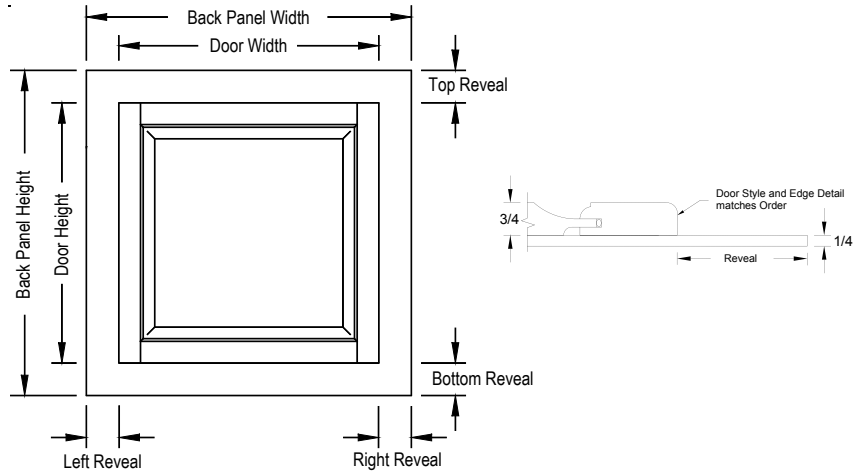
- (AP1) 1/4" thick woodgrain veneer with MDF substrate or White paint with melamine topcoat on 1/4" MDF
- Thermofoil orders will receive panels with White or Crème paint
- Panels will match cabinet frame species & color on LPL and HPL orders
- WIDTH: Max. 48" | HEIGHT: Max. 96"
- For pricing details, see chart at bottom of page



HOW TO ORDER		
Style +	Width +	Height
API	36.5	60

## Appliance Panel #2: Door Mounted on 1/4" Back Panel

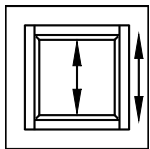
- (AP2) Available with standard or custom reveals
- Standard reveals: door is centered on back panel with 3" reveals on all sides (panel must be trimmed onsite to change reveals)
- Custom reveals: (AP2) Appliance Panel Form is required and fee applied (see Forms section)
- Choose vertical (VV) or horizontal (HH) grain
- Door styling and edge detail matches order header
- Thermofoil orders: back panel will be painted with compatible White or Crème colors
- LPL and HPL orders: back panels will match cabinet frame species and color
- Size limits and panel configuration are based on door style construction, size and grain direction selected (min. and max. noted below)



## Appliance Panel Door: Door only

- (APDR) refer to individual door style pages for size limits and specifications (General section)

### AP2VV

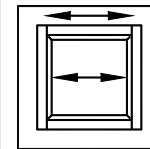


- WIDTH: Min. 10"
- WIDTH: Max. 36"
- Solid wood Slab styles: 35"
- M&T and Applied Moulding styles: center mullion when wider than 27"
- Maximum width for Roman door styles: 27"

- HEIGHT: Min. same as DFMD drawer front

- Panels below 10" tall: built as DFMD drawer fronts
- HEIGHT: Max. 73"
- M&T and Applied Moulding styles: center rail and two equal panels when taller than 52"
- Solid Wood Slab styles over 49-3/4": two equal doors with edge detail on all sides, butted together
- Mitered frame panel styles: single raised or recessed panel, regardless of size

### AP2HH



- Not available with Roman door styles
- WIDTH: Min. 10" | Max. 48"
- HEIGHT: Min. is same as DFMD drawer front
- Panels below 10" tall will be built as DFMD drawer fronts
- HEIGHT: Max. 27"

HOW TO ORDER					
Style +	Grain Direction +	Custom or Standard Reveals +	Door Width (1/16" increments) +	"x"	Door Height (1/16" increments)
AP2	VV	S	24	x	42
APDR	Specify: square or arched top		24	x	42

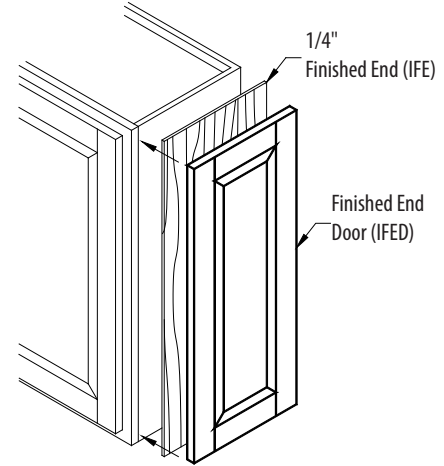
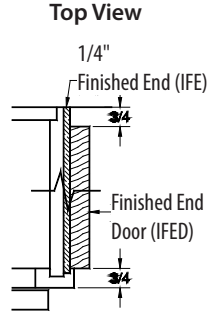
PRICING NOTE
Price is MSRP per square inch (W x H)
1. Round fractions to next whole number
2. Multiply results by square inch price
Add \$254 MSRP for AP2 w/Custom Reveals

APPLIANCE PANELS		C1	C2	C4	C4A	C5	C7	C7A	C9	C9A	C10	C10A	C11	C12	C12A	C13	C13A	C14	C15	C16
AP1	1/4" Flush Panel	0.10	0.10	0.10	0.10	0.10	0.10	0.10	0.10	0.10	0.10	0.10	0.10	0.10	0.10	0.10	0.10	0.10	0.10	0.10
AP2	Door on 1/4" Panel w/Standard Reveals	0.54	0.66	0.81	0.88	1.22	0.78	0.85	0.81	0.88	1.02	1.09	0.97	1.03	1.12	1.03	1.12	1.15	1.31	1.48
APDR	Door only (no back panel)	0.53	0.53	0.53	0.53	0.93	0.53	0.53	0.53	0.53	0.75	0.75	0.68	0.75	0.75	0.75	0.75	0.86	1.02	1.19

# Accessories - Finished End Doors

## Finished End Doors

- Pre-sized doors install over a 1/4" or 3/8" Finished End panel (ordered separately)
- When installed properly, Modified and Traditional styles will line up with adjacent doors and drawers
- Inset styles will be sized the same as Modified and Traditional
- Width is 1-1/2" less than cabinet depth for standard and double-entry configurations
- Edge detail and panel detail are same as door style selected
- When ordered for Tall cabinets the package will contain two or three doors depending on cabinet configuration
- Uppermost door will be arched for Roman door styles
- Available in all door styles and wood species



### Modification Limits

IHA, RHA, IWA, RWA	Not Allowed
For non-standard sizes order loose doors (DOOR-NH)	
RFG, MGD, MGDN, MGDH	Refer to Modifications section for use

## ORDERING

1. Order 1/4" or 3/8" Finished End (\_FE), loose or installed for cabinet
2. Order Finished End Door (FED\_), loose or installed (using configuration & size chart below)
3. Factory installed = Add an 'I' before nomenclature; specify cabinet, 1/4" or 3/8" Installed Finished End (IFE), then Installed Finished End Door (IFED) and specify side of cabinet (R or L)

\$Note: Install fee is applied for each modified cabinet side

HOW TO ORDER						
	"I" +	Style	Configuration	Cab D	Cab H	Cab Side
Loose		FED	P	21	90	
Installed	I	FED	P	21	90	L

# Doors	Cabinet Configurations		Cabinet Depth	Cabinet Height
1	Wall and Wall Double-Entry	W	12   24	12   15   18   21   24   27   30 33   36   39   42   45   48   51   54   57   60
1	Base, Base Double-Entry and Vanity Grand	B	12   18   21   24	Do not list height for Base and Vanity configurations
1	Mid-Base and Vanity-Mid	M		
1	Vanity	V		
2	Utility (U) or Pantry (P)	U or P	12   21   24	84   87   90   93   96
2	Pantry Reverse Base, Full Base, Base 3-Drawer and Base 4-Drawer	PRB		
2	Pantry Reverse Mid, Full Mid, Mid 3-Drawer and Mid 4-Drawer	PRM		
2	Pantry Reverse Vanity, Full Vanity and Vanity 3-Drawer	PRV		
1	Tall Pull-out – No Top Section	TPN	24	72   78
2	Tall Pull-out – Short Top Section	TPS	24	72   78   84   87   90
2	Tall Pull-out – Medium Top Section	TPM	24	78   84   90   96
2	Tall Pull-out – Tall Top Section	TPT	24	84   90   96

FINISHED END DOORS		C1	C2	C4	C4A	C5	C7	C7A	C9	C9A	C10	C10A	C11	C12	C12A	C13	C13A	C14	C15	C16
ITEM	Base Height																			
FEDB12	12" D	75	110	154	154	271	144	144	154	154	214	214	200	219	219	219	219	251	298	349
FEDB18	18" D	117	173	243	243	427	227	227	243	243	338	338	314	344	344	344	344	395	470	550
FEDB21	21" D	139	204	287	287	505	268	268	287	287	399	399	370	407	407	407	407	468	556	651
FEDB24	24" D	161	236	331	331	585	310	310	331	331	460	460	427	470	470	470	470	541	641	750
ITEM	Mid Height																			
FEDM12	12" D	66	105	148	148	261	139	139	148	148	205	205	192	210	210	210	210	243	287	336
FEDM18	18" D	105	154	217	217	383	204	204	217	217	300	300	280	309	309	309	309	354	421	492
FEDM21	21" D	124	181	256	256	453	239	239	256	256	356	356	331	365	365	365	365	419	497	582
FEDM24	24" D	142	210	295	295	522	276	276	295	295	410	410	382	421	421	421	421	483	573	670
ITEM	Vanity Height																			
FEDV18	18" D	92	136	192	192	338	178	178	192	192	265	265	246	271	271	271	271	312	370	432
FEDV21	21" D	109	159	226	226	397	210	210	226	226	312	312	292	321	321	321	321	368	436	510
FEDV24	24" D	126	185	259	259	460	244	244	259	259	361	361	336	370	370	370	370	426	504	589



# Accessories - Finished End Doors

FINISHED END DOORS		C1	C2	C4	C4A	C5	C7	C7A	C9	C9A	C10	C10A	C11	C12	C12A	C13	C13A	C14	C15	C16
<b>ITEM</b>	<b>WALL: 12" D</b>																			
FEDW1212	12" H	27	39	56	63	97	51	59	56	63	76	83	71	78	86	78	86	90	107	126
FEDW1215	15" H	34	51	71	81	127	68	76	71	81	100	109	93	102	114	102	114	117	139	163
FEDW1218	18" H	42	63	88	100	156	83	93	88	100	122	134	114	126	139	126	139	144	171	200
FEDW1221	21" H	51	75	105	119	185	98	112	105	119	146	159	136	149	166	149	166	171	204	237
FEDW1224	24" H	59	86	122	137	214	114	129	122	137	168	185	156	173	192	173	192	198	236	276
FEDW1227	27" H	66	98	137	156	244	129	148	137	156	192	209	178	197	219	197	219	226	268	314
FEDW1230	30" H	75	110	154	175	271	144	165	154	175	214	234	200	219	244	219	244	251	298	349
FEDW1233	33" H	83	122	171	193	302	161	183	171	193	237	259	222	243	271	243	271	280	331	387
FEDW1236	36" H	92	134	188	212	331	176	200	188	212	261	285	243	266	297	266	297	307	363	424
FEDW1239	39" H	100	146	205	231	361	192	219	205	231	285	310	265	290	324	290	324	334	395	463
FEDW1242	42" H	107	156	220	249	390	207	236	220	249	307	334	285	314	349	314	349	361	427	500
FEDW1245	45" H	115	168	237	268	421	222	253	237	268	331	360	307	338	380	338	380	388	460	538
FEDW1248	48" H	122	180	254	287	449	237	270	254	287	353	385	327	361	402	361	402	416	492	575
FEDW1251	51" H	131	192	271	305	478	253	288	271	305	380	410	349	385	429	385	429	443	524	614
FEDW1254	54" H	139	204	287	324	505	268	305	287	324	399	436	370	407	455	407	455	468	556	651
FEDW1257	57" H	148	215	304	343	536	285	324	304	343	422	461	392	448	480	431	480	495	589	689
FEDW1260	60" H	154	227	321	361	565	300	341	321	361	444	485	414	455	505	455	505	522	619	724
<b>ITEM</b>	<b>WALL: 24" D</b>																			
FEDW2412	12" H	58	85	119	134	209	110	126	119	134	165	180	153	168	187	168	187	193	229	268
FEDW2415	15" H	75	109	154	173	271	144	165	154	173	214	232	198	219	243	219	243	251	298	349
FEDW2418	18" H	92	134	190	214	334	176	202	190	214	263	287	244	268	298	268	298	309	366	429
FEDW2421	21" H	109	159	226	254	395	210	239	226	254	312	341	290	319	354	319	354	366	436	510
FEDW2424	24" H	126	185	259	293	460	244	276	259	293	361	395	336	370	412	370	412	426	504	589
FEDW2427	27" H	142	210	295	334	522	276	315	295	334	410	448	382	421	468	421	468	483	573	670
FEDW2430	30" H	161	236	331	375	585	310	353	331	375	460	502	427	470	524	470	524	541	641	750
FEDW2433	33" H	178	261	366	416	648	344	390	366	416	509	556	473	521	580	521	580	600	711	831
FEDW2436	36" H	195	285	402	455	711	377	427	402	455	558	611	519	572	636	572	636	658	778	911
FEDW2439	39" H	212	310	438	495	772	410	466	438	495	607	665	565	622	692	622	692	716	848	992
FEDW2442	42" H	229	336	473	534	833	443	504	473	534	656	717	611	672	748	672	748	772	916	1072
FEDW2445	45" H	246	361	509	575	895	477	543	509	575	706	772	656	722	804	722	804	829	985	1153
FEDW2448	48" H	263	387	544	614	958	509	580	544	614	755	824	702	772	860	772	860	887	1053	1233
FEDW2451	51" H	282	412	580	655	1021	543	617	580	655	795	879	748	823	916	823	916	946	1123	1313
FEDW2454	54" H	298	436	616	695	1084	575	655	616	695	853	933	794	873	972	873	972	1004	1191	1392
FEDW2457	57" H	315	461	651	736	1146	609	694	651	736	902	987	840	924	1028	924	1028	1062	1260	1474
FEDW2460	60" H	332	487	687	775	1209	641	731	687	775	951	1040	885	974	1084	974	1084	1119	1328	1554
<b>ITEM</b>	<b>TALL: 12" D</b>	Insert Tall cabinet designation (U, P, PRB, PRM, PRV) for correct door configuration																		
FED__1284	84" H	205	302	426	480	750	397	453	426	480	590	644	548	604	672	604	672	694	823	962
FED__1287	87" H	214	314	443	499	778	414	471	443	499	614	670	570	628	699	628	699	721	855	1001
FED__1290	90" H	222	326	458	517	806	429	488	458	517	636	695	592	650	724	650	724	746	887	1038
FED__1293	93" H	231	338	475	536	836	444	505	475	536	660	721	614	673	751	673	751	775	919	1075
FED__1296	96" H	237	349	492	555	867	460	522	492	555	682	745	634	697	777	697	777	802	951	1113
<b>ITEM</b>	<b>TALL: 21" D</b>	Insert Tall cabinet designation (U, P, PRB, PRM, PRV) for correct door configuration																		
FED__2184	84" H	382	560	789	892	1392	738	840	789	892	1096	1197	1019	1121	1248	1121	1248	1289	1528	1788
FED__2187	87" H	397	582	821	926	1447	767	872	821	926	1138	1245	1058	1165	1297	1165	1297	1340	1604	1857
FED__2190	90" H	412	604	851	960	1501	795	906	851	960	1180	1291	1097	1208	1345	1208	1345	1389	1647	1927
FED__2193	93" H	427	626	882	996	1555	824	940	882	996	1223	1338	1138	1252	1394	1252	1394	1440	1706	1996
FED__2196	96" H	441	648	912	1029	1610	853	972	912	1029	1265	1384	1177	1296	1442	1296	1442	1491	1766	2066
<b>ITEM</b>	<b>TALL: 24" D</b>	Insert Tall cabinet designation (U, P, PRB, PRM, PRV, TPN, TPS, TPM, TPT, EN, ES, EM or ET) for correct door configuration																		
FED__2472	72" H	371	550	775	875	1365	724	841	775	875	1075	1175	1001	1099	1225	1099	1225	1230	1499	1754
FED__2478	78" H	407	600	846	955	1491	792	901	846	955	1174	1282	1092	1201	1336	1201	1336	1381	1637	1915
FED__2484	84" H	441	646	911	1028	1604	851	970	911	1028	1264	1381	1175	1292	1440	1292	1440	1486	1764	2064
FED__2487	87" H	458	672	946	1068	1669	885	1007	946	1068	1313	1435	1221	1343	1496	1343	1496	1433	1833	2145
FED__2490	90" H	475	697	982	1109	1732	919	1045	982	1109	1362	1489	1267	1394	1552	1394	1552	1603	1901	2225
FED__2493	93" H	492	722	1018	1150	1794	953	1084	1018	1157	1411	1543	1313	1445	1608	1445	1608	1660	1971	2305
FED__2496	96" H	509	748	1053	1189	1855	985	1121	1053	1189	1460	1596	1358	1494	1664	1494	1664	1718	2039	2385
<b>Factory Installation</b>		119	<b>\$Note: Install fee is applied for each modified cabinet side</b>																	

# Accessories - Finished Furniture Ends

## Finished Furniture Ends

### General Info

- Stile and rail finished panels install directly to cabinet end
- Available loose or installed (\$) for Wall, Base, Mid, Vanity and Tall cabinets
- Same depth and height as cabinet
- Each Finished Furniture End increases width of cabinet by 3/8"
- Edge detail is always "S" (Square) and panel detail matches door style selected
- Both vertical edges are rabbeted so FFE installs flat against cabinet and can be applied to right or left side of cabinet

### Toekick Options

- A taller rail is placed at bottom of FFEB, FFEM and FFEV to align with cabinets that have toekicks
- Panels will match height of adjacent door panels
- When ordered loose Toekick must be notched in the field
- When ordered Installed, toekick notch (-N) option available
- Factory-notched Toekick is N/A on loose FFEs and on installed FFEs when cabinet Toekick is loose

### Panel Configurations

- Two equal height panels:
  - Base and Tall cabinets more than 58-1/2" H
  - Wall cabinets more than 54" H
- Two side-by-side panels:
  - FFEs deeper than 27"
  - Center door styles deeper than 13-1/4"
- Roman door styles:
  - Panels on Wall and upper part of Tall FFEs will be Arched
  - When depth is modified deeper than 27" panels will be square
- **Not available:** Mitered, Slab wood or Laminate door styles
- Corner cabinets which, when installed normally, feature a void in the back are not available with Installed Finished Furniture ends (Ex: BSA and FBCC)

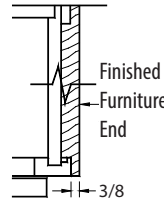
### Tall Cabinets

- Note: All cabinets above 90" H have loose Toekicks unless the ATK (Attach Toekick) modification is specified

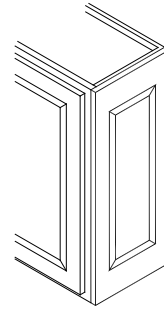
### Examples

- UOV3396 with IFFET = IFFET will be 91-1/2" H
- UOV3396 with ATK and IFFET = IFFET will be 96" H

Top View



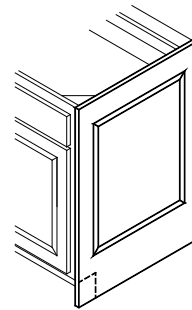
FFEW



FFET



FFEB  
FFEM  
FFEV



### Modification Limits (Loose FFEs only)

RDA	Reduce D to min. 12"
IDA	Increase D to max. 30"
RWA, IWA	Not available
RHA: Wall	Reduce H to min. 12"
RHA: Base, Mid Vanity & Tall	Reduce H to min. 16-1/2"
IHA: Wall	Increase H to max. 66"
IHA: Base	Increase H to max. 48"
SQUARE-U	Available on FFET and FFEV in Arched styles
ARCH-L	Available on FFEB, FFEM, FFEV

### HOW TO ORDER

	"I" +	Style	Configuration	Cab D	Cab H	Cab Side	Notch
Loose		FFE	T	21	90		
Installed	I	FFE		21	90	L	-N

Cabinet Configurations				Cabinet Depth							Cabinet Height											
Base, Base Double-Entry and Vanity-Grand			B	12   18   21   24							Do not list height for Base and Vanity configurations											
Mid-Base and Vanity-Mid			M																			
Vanity			V	18   21   24																		
FINISHED FURNITURE ENDS				C1	C2	C4	C4A	C5	C7	C7A	C9	C9A	C10	C10A	C11	C12	C12A	C13	C13A	C14	C15	C16
ITEM	Base Height																					
FFEB12	12" D			-	-	248	248	451	234	234	248	248	334	334	287	341	341	341	341	417	456	521
FFEB18	18" D			-	-	360	360	646	338	338	360	360	488	488	431	499	499	499	499	599	672	765
FFEB21	21" D			-	-	414	414	746	390	390	414	414	565	565	502	578	578	578	578	690	778	887
FFEB24	24" D			-	-	470	470	843	441	441	470	470	643	643	573	656	656	656	656	780	887	1011
ITEM	Mid Height																					
FFEM12	12" D			-	-	217	217	388	204	204	217	217	295	295	263	302	302	302	302	360	407	465
FFEM18	18" D			-	-	331	331	597	310	310	331	331	449	449	393	458	458	458	458	553	616	702
FFEM21	21" D			-	-	382	382	687	358	358	382	382	519	519	460	531	531	531	531	636	714	814
FFEM24	24" D			-	-	432	432	777	405	405	432	432	590	590	526	604	604	604	604	719	812	926
ITEM	Vanity Height																					
FFEV18	18" D			-	-	309	309	561	292	292	309	309	419	419	366	429	429	429	429	519	575	655
FFEV21	21" D			-	-	356	356	643	336	336	356	356	485	485	427	495	495	495	495	595	667	760
FFEV24	24" D			-	-	404	404	728	380	380	404	404	551	551	488	563	563	563	563	673	758	865
Factory Installation – No Toekick Notch				102	\$Note: Install fee is applied for each modified cabinet side																	
Factory Installation – Notch Toekick				127																		

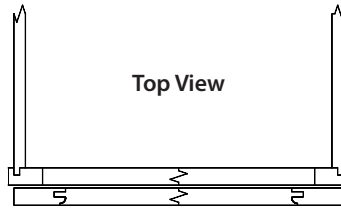
# Accessories - Finished Furniture Ends

Cabinet Configurations					Cabinet Depth					Cabinet Height										
Wall and Wall Double-Entry				W		12   24			12   15   18   21   24   27   30   33   36   39   42   45   48   51   54   57   60											
Tall (all configurations)				T		12   21   24			72   78   84   87   90   93   96											
FINISHED FURNITURE ENDS		C1	C2	C4	C4A	C5	C7	C7A	C9	C9A	C10	C10A	C11	C12	C12A	C13	C13A	C14	C15	C16
ITEM	WALL: 12" D																			
FFEW1212	12" H	-	-	102	110	192	97	107	102	110	131	141	98	132	146	132	146	178	171	195
FFEW1215	15" H	-	-	120	132	226	114	126	120	132	156	170	122	159	175	159	175	209	209	237
FFEW1218	18" H	-	-	139	154	259	132	146	139	154	183	198	146	187	205	187	205	241	246	280
FFEW1221	21" H	-	-	158	175	293	149	166	158	175	209	226	171	214	234	214	234	271	282	321
FFEW1224	24" H	-	-	176	197	326	168	187	176	197	236	254	195	241	265	241	265	302	319	363
FFEW1227	27" H	-	-	195	217	361	185	207	195	217	261	283	220	268	295	268	295	334	354	404
FFEW1230	30" H	-	-	215	239	392	202	227	215	239	288	312	244	293	324	293	324	363	392	446
FFEW1233	33" H	-	-	234	261	427	220	248	234	261	315	341	270	321	354	321	354	395	429	488
FFEW1236	36" H	-	-	253	282	460	237	268	253	282	341	370	293	348	385	348	385	426	465	529
FFEW1239	39" H	-	-	271	304	495	256	288	271	304	368	399	319	375	416	375	416	458	502	572
FFEW1242	42" H	-	-	290	324	527	273	307	290	324	393	427	343	402	444	402	444	488	538	612
FFEW1245	45" H	-	-	309	346	560	292	327	310	346	421	456	366	429	475	429	475	519	575	656
FFEW1248	48" H	-	-	329	368	592	309	348	329	368	446	485	390	455	504	455	504	548	612	699
FFEW1251	51" H	-	-	348	390	626	327	368	348	390	473	514	416	482	534	482	534	580	650	741
FFEW1254	54" H	-	-	366	410	660	344	388	366	410	499	543	439	509	565	509	565	611	685	782
FFEW1257	57" H	-	-	385	432	694	363	409	385	432	526	572	448	536	595	536	595	643	722	824
FFEW1260	60" H	-	-	404	453	728	380	429	404	453	551	599	488	563	624	563	624	673	758	865
ITEM	WALL: 24" D																			
FFEW2412	12" H	-	-	176	197	326	168	187	176	197	236	254	195	241	265	241	265	302	319	363
FFEW2415	15" H	-	-	215	239	392	202	227	215	239	288	312	244	293	324	293	324	363	392	446
FFEW2418	18" H	-	-	253	282	460	237	268	253	282	341	370	293	348	385	348	385	426	465	529
FFEW2421	21" H	-	-	290	324	527	273	307	290	324	393	427	343	402	444	402	444	488	538	612
FFEW2424	24" H	-	-	329	368	592	309	348	329	368	446	485	390	455	504	455	504	548	612	699
FFEW2427	27" H	-	-	366	410	660	344	388	366	410	499	543	439	509	565	509	565	611	685	782
FFEW2430	30" H	-	-	404	453	728	380	429	404	453	551	599	488	563	624	563	624	673	758	865
FFEW2433	33" H	-	-	443	495	794	416	470	443	495	604	656	538	617	683	617	683	734	831	948
FFEW2436	36" H	-	-	480	538	860	451	509	480	538	656	714	587	670	743	670	743	795	904	1031
FFEW2439	39" H	-	-	517	582	928	487	550	517	582	709	772	636	724	804	724	804	858	979	1116
FFEW2442	42" H	-	-	555	624	996	521	590	555	624	760	829	683	778	863	778	863	921	1052	1199
FFEW2445	45" H	-	-	594	667	1062	556	631	594	667	812	887	733	833	923	833	923	982	1124	1282
FFEW2448	48" H	-	-	631	709	1126	592	670	631	709	865	943	782	885	982	885	982	1043	1197	1365
FFEW2451	51" H	-	-	670	753	1160	628	711	670	753	919	1001	831	940	1035	940	1035	1106	1235	1450
FFEW2454	54" H	-	-	707	795	1260	663	751	707	795	970	1058	879	992	1102	992	1102	1167	1345	1533
FFEW2457	57" H	-	-	745	838	1328	699	792	745	838	1023	1116	928	1048	1163	1048	1163	1230	1418	1615
FFEW2460	60" H	-	-	782	880	1394	734	831	782	880	1075	1174	977	1101	1223	1101	1223	1301	1491	1699
ITEM	TALL: 12" D																			
FFET1272	72" H	-	-	480	538	860	451	509	480	538	656	714	587	670	743	670	743	795	904	1031
FFET1278	78" H	-	-	517	582	928	485	550	517	582	707	772	634	724	804	724	804	858	979	1116
FFET1284	84" H	-	-	555	624	996	521	590	555	624	760	829	683	778	863	778	863	921	1052	1199
FFET1287	87" H	-	-	575	646	1028	539	611	575	646	787	858	709	806	890	806	890	951	1089	1241
FFET1290	90" H	-	-	594	667	1060	556	629	594	667	812	887	733	831	923	831	923	982	1124	1282
FFET1293	93" H	-	-	612	689	1094	575	650	612	689	840	916	758	858	953	858	953	1013	1162	1325
FFET1296	96" H	-	-	631	709	1092	592	670	631	709	865	943	782	885	982	885	982	1043	1197	1365
ITEM	TALL: 21" D																			
FFET2184	84" H	-	-	953	1072	1694	894	1013	953	1072	1313	1431	1197	1342	1491	1342	1491	1569	1820	2074
FFET2187	87" H	-	-	987	1111	1754	924	1050	987	1111	1358	1482	1240	1389	1543	1389	1543	1623	1884	2144
FFET2190	90" H	-	-	1019	1148	1811	955	1084	1019	1148	1404	1531	1282	1437	1596	1437	1596	1677	1949	2222
FFET2193	93" H	-	-	1053	1186	1869	987	1119	1053	1186	1450	1582	1325	1484	1650	1484	1650	1732	2013	2296
FFET2196	96" H	-	-	1085	1223	1927	1018	1153	1085	1223	1496	1633	1367	1530	1701	1530	1701	1784	2078	2369
ITEM	TALL: 24" D																			
FFET2472	72" H	-	-	934	1052	1660	875	992	934	1052	1286	1403	1172	1314	1462	1314	1462	1537	1784	2034
FFET2478	78" H	-	-	1009	1136	1796	946	1074	1009	1136	1391	1518	1270	1423	1581	1423	1581	1662	1930	2200
FFET2484	84" H	-	-	1085	1223	1927	1018	1153	1085	1223	1496	1633	1367	1530	1701	1530	1701	1784	2078	2369
FFET2487	87" H	-	-	1124	1265	1994	1053	1194	1124	1265	1548	1691	1416	1584	1760	1584	1760	1847	2151	2451
FFET2490	90" H	-	-	1162	1308	2061	1087	1235	1162	1308	1601	1747	1465	1637	1820	1637	1820	1908	2223	2536
FFET2493	93" H	-	-	1199	1350	2128	1123	1275	1199	1350	1654	1805	1515	1691	1881	1691	1881	1971	2296	2617
FFET2496	96" H	-	-	1236	1392	2195	1158	1314	1236	1392	1706	1862	1564	1745	1940	1745	1940	2032	2369	2702
Factory Installation – No Toekick Notch		102	⚠Note: Install fee is applied for each modified cabinet side																	
Factory Installation – Notch Toekick		127																		

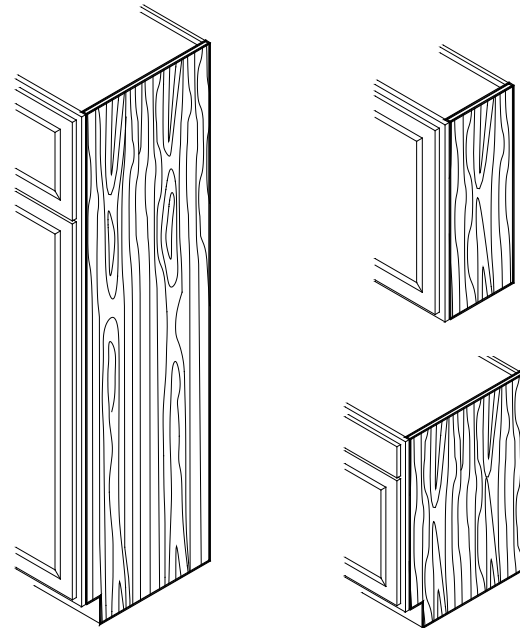
# Accessories - Flush Ends

## Flush Ends

- Cabinet end will be 3/4" thick with same wood veneer on exterior as cabinet frame
- Interior will match global selection
  - Alder and Beech will have Alder or Beech interior on FE side
- May be ordered on one or both sides
  - When ordered for only one side, opposite end will be 1/2" thick with raw exterior and interior that matches global selection
- May be combined on same cabinet with another Flush End, a Panel End, or an Active Door End
- May **not** be combined with a 1/4" or 3/8" Finished End, or with a Finished Furniture End
- Available with End Panels and Angled End Panels
- Roll-outs in cabinets with Flush Ends will be shelf mount (SMRO)
- Color and grain patterns may vary between end and face frame
- When Prep for Under Wall Panel (PUWP) is selected, Flush End will remain same height, and be flush with frame
- When Recessed or Loose Toekicks are present (RTK, LTK, cabinets above 90" H), FE will not cover Toekick area. When ATK or FTK is applied, FE will cover Toekick area.



**Modification Note**  
Flush Ends are an integral part of the cabinet, so Height and Depth Modifications are applied to cabinet, not FE



HOW TO ORDER	
Style +	Side Desired
FE	R

FLUSH ENDS	MSRP (per side)
Wall (All sizes)	254
Base, Vanity, Base & Vanity End Panels	288
Tall & Tall End Panels	762

### CABINETS NOT AVAILABLE WITH FLUSH ENDS

Angled Back Cabinets	<b>WAB, BAB, VAB</b>	Letter Organizer	<b>LO</b>
Base Island	<b>BI</b>	Sink Angle Cabinets	<b>BSA, VSA</b>
Base Open Cubbyhole	<b>BOCH</b>	Slip-In Linen Cabinet	<b>SIL</b>
Columns & Angled Columns (Accessories Section)	<b>C_, FC_, AC_, FC_FTK, AFC_, AFC_FTK</b>	Tri-View Mirror Medicine Cabinet	<b>TV</b>
End Angle Cabinets	<b>WEA, BEA, VEA, PEA, UEA</b>	Wall Open Cubbyhole	<b>WOCH</b>
End Cabinets	<b>WEC, BEC, VEC, PEC, UEC</b>	Wall Wine Rack Diagonal	<b>WWRD</b>

# Accessories - Panel Ends

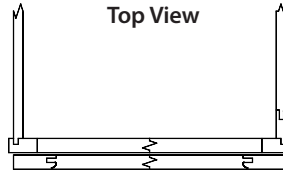
## Panel Ends

- Cabinet end becomes an integral raised or recessed Panel End
- Available on framed wood door styles with 1/4" recessed, solid recessed and raised panels (Traditional, Modified and Inset)
- Interior of Panel Ends will be like the back of a door. Finish will match exterior, and joinery and panel details will be visible. Shelf support holes will be drilled on vertical stiles.
- May be ordered on one or both sides
  - When ordered for only one side, opposite end will be 1/2" thick plywood with raw exterior, and an interior that matches global selection
- May be combined on same cabinet with a Flush End or Active Door End
- May **not** be combined with a 1/4" or 3/8" Finished End or Finished Furniture End
- Available with End Panels, Angled End Panels, Columns and Angled Columns

- Roll-outs in cabinets with Panel Ends will be shelf mount (SMRO)
- Color and grain patterns may vary between end and face frame
- When Prep for Under Wall Panel (PUWP) is selected, PE will remain same height, and be flush with face frame
- Maximum height for a cabinet with a PE is 96"
- When Recessed or Loose Toekicks are present (RTK, LTK, cabinets above 90" H), PE will not cover Toekick area. When ATK or FTK is applied, PE will cover Toekick area.

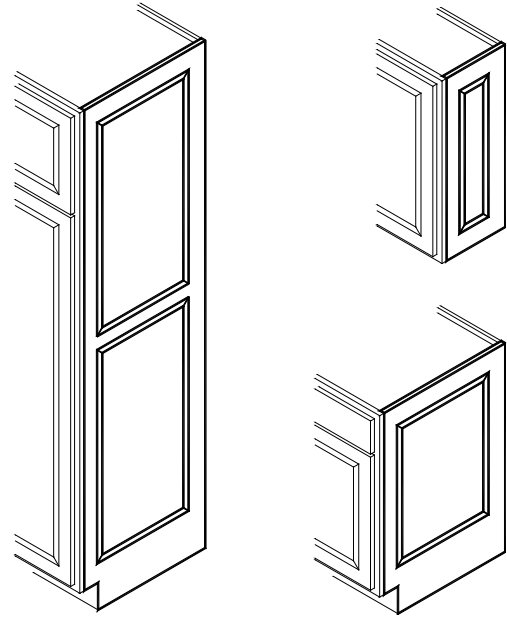
## Panel Configurations

- Panel Ends will follow Finished Furniture End (FFE) rules for number of (raised or recessed) panels, and point at which mid-stiles and mid-rails are added.
  - When mid-rails are added to PE, raised or recessed panels will be equal height; panel configuration on PE may not be same as door configuration on face of cabinet. The difference will be most evident on Tall cabinets where door heights are seldom equal, while panel heights on PE will be.
- Stiles, rails and panels of PEs will be same size regardless of Overlay (Traditional, Modified or Inset)
- Quantity, size and location of raised or recessed panels will be same as if it were a Finished Furniture End
- Interior panel and interior stile and rail edge profile follow door style (exceptions listed below)
  - Door styles with 1/4" recessed panels will receive solid (reverse raised) PEs. It is important to inform customers of this, as wood veneer on 1/4" door panels is rotary-cut, has wider staves and fewer fletches than solid edge-glued panels on the PE.
  - PE for Mitered door styles will be M & T construction, not mitered, and interior edge profile will be our standard bead (Like Brentwood.) Surface of stiles and rails will be flat with no detail.



## Modification Note

Panel Ends are an integral part of the cabinet, so Height and Depth Modifications are applied to cabinet, not PE



## HOW TO ORDER

Style +	Side Desired
PE	R

## PANEL ENDS

	MSRP (per side)
Wall (All sizes)	509
Base, Vanity, Base & Vanity End Panels	777
Tall & Tall End Panels	1676

## CABINETS NOT AVAILABLE WITH PANEL ENDS

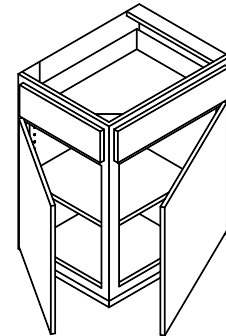
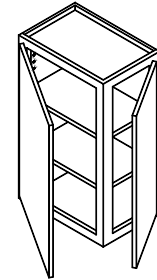
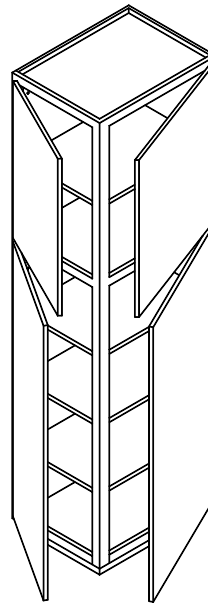
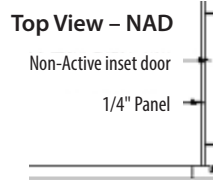
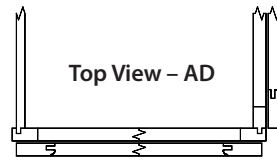
Angled Back	WAB, BAB, VAB	Letter Organizer	LO	Wall Angle End	WAE
Base Corner	FBCC, FBCA	Sink Angle	BSA, VSA	Wall Open Cubbyhole	WOCH
Base Island	BI	Slip-In Linen	SIL	Wall Spice Rack Wood	WSRW
Base Open Cubbyhole	BOCH	Spice Drawers	SD	Wall Vanity	WV
Desk Drawer Cabinet	DDC	Tri-View Mirror Medicine	TV	Wall Wine Rack Diagonal	WWRD
End Angle	WEA, BEA, VEA, PEA, UEA	Utility Door Rack	UDR		
End Cabinet	WEC, BEC, VEC, PEC, UEC	Utility Swing-Out Shelf	USOS		



# Accessories - Active Door Ends

## Active Door Ends

- Cabinet end becomes an integral frame and active door
- Available on all framed modified overlay & inset door styles and sub-styles
  - Door style, sub-style and configuration selected on face of cabinet will be mirrored on same levels (Upper, Middle, Lower) of Active Door Ends
  - Drawer fronts on face of cabinet will be false fronts on Active Door End
- **Not Available:** Traditional Overlay
- **Inset note:** Non-Active Door (NAD) is available to provide an inset panel look
  - 1/4" panel is installed behind face frame and attached to door or drawer front
  - Adjustable shelf size will be reduced by 1/4"
  - Follows configuration rules of AD and frame, but won't open (see top view)
- Door construction based on size and will follow guidelines on "Doors" page of Accessories section
  - AD Ends for cabinets 24" D (and less) will have single door and hinged on back
  - AD Ends on cabinets deeper than 24" will have double doors and be hinged L/R
  - There is no 24DD option
  - Door glass options (RFG, MGD, etc.) will be available by level on Active Door Ends
- When "Additional Hinge" or "Hinge Top" are selected on face of cabinet, it will be mirrored on same level of Active Door End
- Active & Non-Active Door Ends may be ordered on one or both sides
  - When ordered for only one side, opposite (unfinished) end will be 1/2" thick plywood with raw exterior, and an interior that matches global selection
- May be combined on same cabinet with a Flush End or Panel End
- May **not** be combined with a 1/4" or 3/8" Finished End, or with a Finished Furniture End
- Installed roll-outs in cabinets will be shelf mount (ISMRO)
- Color and grain patterns may vary between end and face frame
- When Prep for Under Wall Panel (PUWP) is selected, Active Door End will remain the same height, and be flush with face frame
- If Recessed or Loose Toekicks are selected on cabinets (RTK, LTK), the AD bottom rail will not cover Toekick area. When ATK or FTK is applied, the AD bottom rail will cover Toekick area.



### Modification Note

Active & Non-Active Door Ends are an integral part of cabinet, so Height and Depth Modifications are applied to cabinet, not AD or NAD

### HOW TO ORDER

Style +	Side Desired
AD	R
NAD	R

### CABINETS AVAILABLE WITH ACTIVE DOOR ENDS:

Base	B, FB	Pantry	P	Wall	W, Wx24
Base Cook Top	BCT	Pantry Reverse Base	PRB, PRFB	Wall Corner	WCC
Base Double-Entry <sup>2</sup>	BDE, FBDE	Pantry Reverse Mid	PRM, PRFM	Wall Corner Angle	WCA
Base Recycle Center	BRC, FBRC	Pantry Reverse Vanity	PRV, PRFV	Wall Double-Entry <sup>1</sup>	WDE
Base Sink	BS, FBS	Vanity	V, FV	Wall Square Corner <sup>2</sup>	WSC
Base Square Corner <sup>2</sup>	BSC, FBSC	Vanity CPU	VCPU	Wall Square Corner Double-Entry <sup>2</sup>	WSCDE
Base Transition <sup>3</sup>	BTC, FBTC	Vanity Sink	VS, FVS	Wall Stacked Door	W_SDR
Corner Height Transition (Base/Mid/Vanity)	B/M/VCHT	Vanity Square Corner <sup>2</sup>	VSC, FVSC	Wall Square Stacked Corner <sup>2</sup>	WSSC
				Wall Transition <sup>3</sup>	WTC
Entertainment Side Full Height Doors	ESFHN, ESFHS, ESFHM, ESFHT	Utility	U		

<sup>1</sup> Double-Entry AD will be hinged on back side (opposite kitchen side) | <sup>2</sup> AD not available on blind end of Square Corner Cabinets | <sup>3</sup> Available on short side only of Transition Cabinets

AD: ACTIVE DOORS NAD: NON-ACTIVE for Inset		C1	C2	C4	C4A	C5	C7	C7A	C9	C9A	C10	C10A	C11	C12	C12A	C13	C13A	C14	C15	C16
AD or NAD	Wall	456	499	609	658	785	516	556	585	633	604	651	644	661	714	685	739	738	838	960
	Base or Vanity	695	758	928	928	1196	785	785	892	892	919	919	982	1009	1009	1045	1045	1124	1277	1464
	Tall	1503	1638	2005	2084	2583	1696	1764	1927	2005	1984	2064	2120	2178	2264	2254	2346	2429	2756	3160

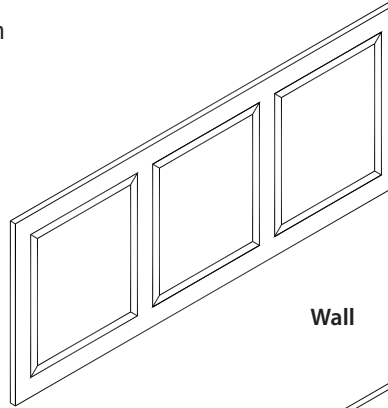
# Accessories - Finished Furniture Backs

## Finished Furniture Backs

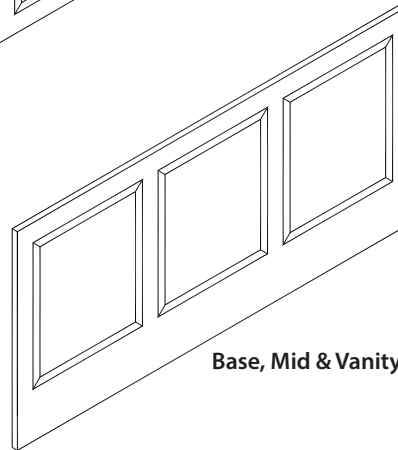
- WIDTH: Min. 12" | Max. 96"
- Stile and rail finished panels install on the back of a run of cabinets
- Order same height as cabinet
- Edge detail is always "S" (Square)
- Stiles, rail and panel detail matches door style selected
- Panels match height of adjacent door panels
- A taller rail is placed at bottom of FFBB, FFBM and FFBV to align with cabinets that have toekicks
- Available only on M&T door styles
- Back side has seal coat only and is not finished to match door color
- Factory installation not available

# of Panels	Single Panel or Non-Center Doors	"Center" Style Doors
	Width	Width
1	12" – 24"	12" – 13"
2	24-1/4" – 48"	13-1/4" – 24"
3	48-1/4" – 72"	24-1/4" – 36"
4	72-1/4" – 96"	36-1/4" – 48"
5	-	48-1/4" – 60"
6	-	60-1/4" – 72"
7	-	72-1/4" – 84"
8	-	84-1/4" – 96"

Example: FFBW30 x 54-1/2, IHA36



Wall



Base, Mid & Vanity

Modification Limits	
RDA, IDA	Not available
RWA, IWA	Not available
RHA: Wall	Reduce H to min. 12"
RHA: Base, Mid Vanity	Reduce H to min. 16-1/2"
IHA: Wall & Base	Increase H to max. 48"

PRICING NOTE
Price is MSRP per lineal inch
1. Specify width in 1/4" increments
2. Round fractions to next whole number

HOW TO ORDER	
Style +	Width
FFBW24	72.25

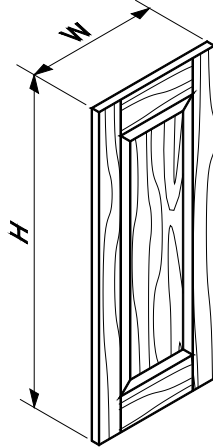
FINISHED FURNITURE BACKS		C1	C2	C4	C4A	C5	C7	C7A	C9	C9A	C10	C10A	C11	C12	C12A	C13	C13A	C14	C15	C16
ITEM	WALL CABINETS																			
FFBW18_	18" H	-	-	10	10	17	8	8	8	8	14	14	12	14	14	14	14	15	19	22
FFBW21_	21" H	-	-	12	12	19	10	10	10	10	15	15	14	15	15	15	15	17	22	25
FFBW24_	24" H	-	-	12	12	22	12	12	12	12	19	19	15	19	19	19	19	20	24	27
FFBW27_	27" H	-	-	14	14	24	14	14	14	14	20	20	17	20	20	20	20	22	27	31
FFBW30_	30" H	-	-	15	15	27	15	15	15	15	22	22	19	22	22	22	22	25	31	36
FFBB_	Base Height	-	-	19	19	31	17	17	17	17	25	22	22	25	25	25	25	29	34	39
FFBM_	Mid Height	-	-	17	17	29	15	15	15	15	24	24	20	24	24	24	24	27	32	37
FFBV_	Vanity Height	-	-	15	15	27	15	15	15	15	22	22	19	22	22	22	22	25	31	36

# Accessories - Doors

## Doors

- Loose doors are prepped for hinges as specified, but hinges must be ordered separately and are shipped loose
- Apply standard door modifications, such as RFG or MGD, using information in Modifications section
- Refer to door pages in General section for individual door size limitations and specifications

- Hinge Prep Top of Door: Max. H = 18"
- Roman door style: Add R or L to indicate hinge side
- Inset door style: Add R or L to indicate hinge side



PRICING NOTE	
Price is MSRP per square inch (W x H)	
1. Round fractions to next whole number	
2. Multiply results by square inch price	

HOW TO ORDER			
Style +	Hinge Prep side	Width +	Height +
DOOR-NH		18	36
DOOR-ARCH-CH	L	18	36

APDR: use for appliance application to display, design and price within 20-20 (identical to DOOR-NH also see appliance panels)

Modified Overlay Door Sizes	
# of Doors	To figure Width
9" - 24" = 1	Opening + 2-1/2"
24DD - 36" = 2	(Opening ÷ 2) + 1-3/16"
>36" = 2 w/center mullion	Opening + 2-1/2"
To figure Height: Opening + 1"	
Traditional Overlay Door Sizes	
# of Doors	To figure Width
9" - 24" = 1	Opening + 1"
24DD - 36" = 2	(Opening ÷ 2) + 7/16"
>36" - 48" = 2 w/center mullion	Opening + 1"
To figure Height: Opening + 1"	

Inset & Pocket Door Sizes	
# of Doors	To figure Width
1	Opening - 3/16"
2	Opening - 5/16"
To figure Height: Opening - 3/16"	
Pocket Doors come with 1/8" radius only; hardware not included	

Hinge Quantity per Door Height	
36" and below: two hinges	
Above 36" through 60": three hinges	
Above 60": four hinges	

DOORS		C1	C2	C4	C4A	C5	C7	C7A	C9	C9A	C10	C10A	C11	C12	C12A	C13	C13A	C14	C15	C16
ITEM	HINGE PREP																			
<b>Standard or Square Panel Doors</b>																				
DOOR-NH / APDR	No Hinge	0.53	0.53	0.53	0.53	0.93	0.53	0.53	0.53	0.53	0.75	0.75	0.68	0.75	0.75	0.75	0.75	0.86	1.02	1.19
DOOR-CH	Concealed Hinge	-	0.53	0.53	0.53	0.93	0.53	0.53	0.53	0.53	0.75	0.75	0.68	0.75	0.75	0.75	0.75	0.86	1.02	1.19
DOOR-HT	Hinge on Top of Door	0.53	0.53	0.53	0.53	0.93	0.53	0.53	0.53	0.53	0.75	0.75	0.68	0.75	0.75	0.75	0.75	0.86	1.02	1.19
DOOR-PH	Pocket Door Hinge	-	0.53	0.53	0.53	0.93	0.53	0.53	0.53	0.53	0.75	0.75	0.68	0.75	0.75	0.75	0.75	0.86	1.02	1.19
<b>Inset Doors</b>																				
DOOR-CI L or R	Concealed Inset Hinge	-	-	-	-	0.93	-	-	0.53	0.53	-	-	0.68	0.75	0.75	0.75	0.75	0.86	1.02	1.19
DOOR-IFB L or R	Inset Fial Ball Hinge	-	-	-	-	0.93	-	-	0.53	0.53	-	-	0.68	0.75	0.75	0.75	0.75	0.86	1.02	1.19
DOOR-ARCH-CI L or R	Concealed Inset Hinge	-	-	-	-	0.93	-	-	0.59	0.59	-	-	0.68	0.83	0.83	0.83	0.83	0.86	1.02	1.19
DOOR-ARCH-IFB L or R	Inset Fial Ball Hinge	-	-	-	-	0.93	-	-	0.59	0.59	-	-	0.68	0.83	0.83	0.83	0.83	0.86	1.02	1.19
<b>Arched Doors</b>																				
DOOR-ARCH-NH	No Hinge	-	-	0.59	0.59	0.93	0.59	0.59	0.59	0.59	0.83	0.83	0.68	0.83	0.83	0.83	0.83	0.86	1.02	1.19
DOOR-ARCH-CH L or R	Concealed Hinge	-	-	0.59	0.59	0.93	0.59	0.59	0.59	0.59	0.83	0.83	0.68	0.83	0.83	0.83	0.83	0.86	1.02	1.19
DOOR-ARCH-HT	Hinge on Top of Door	-	-	0.59	0.59	0.93	0.59	0.59	0.59	0.59	0.83	0.83	0.68	0.83	0.83	0.83	0.83	0.86	1.02	1.19
DOOR-ARCH-PH L or R	Pocket Door Hinge	-	-	0.59	0.59	0.93	0.59	0.59	0.59	0.59	0.83	0.83	0.68	0.83	0.83	0.83	0.83	0.86	1.02	1.19



# Accessories - Hinges & Door Accessories

## Hinges

- Except when noted, hinges are ordered individually (unless noted)
- Each hinge includes the mounting plate and attachment screws
- Refer to chart to determine hinge type used on corner & angle cabinets or unique use, such as Flip-down

**In-Motion:** Designed to be used at temperatures between 65° and 85° F. Lower or higher temperatures will not cause damage to the hinge, but will affect closing speed during that time.

Type	Concealed Traditional	Concealed Modified	Concealed Inset
FBCC/WCC	HINGE-C170	HINGE-C170	HINGE-C170
FBCA	HINGE-C12	HINGE-C114	HINGE-CI
FBEC	HINGE-C12	HINGE-C114	HINGE-CI
FBEA	HINGE-C12	HINGE-C114	HINGE-CI
BSC, FBSC	HINGE-C12	HINGE-C114	HINGE-CI
BIFOLD	HINGE-C60	HINGE-C60	HINGE-C60
TIP-OUT	HINGE-TO	HINGE-TO	HINGE-TO
*FLIP-DOWN	HINGE-CFD	HINGE-CFD	HINGE-CI-FD
HINGE TOP	HINGE-C12	HINGE-C12	NA

\*Note: HINGE-EFD is used for flip-down fronts on raised panel DFMD and Mitered DFMD fronts

## Pocket Door Slide Sets Inset

- Set packaged as a pair (enough for one door)
- Includes 6-way adjustable self-closing hinges, rollers and instructions
- Customer must supply carrier strip, order one SF3 \_\_\_ in same species and color of door, and cut to length
- Does not include spacers or cleats for mounting to inside of framed cabinets

POCKET DOOR SLIDE SETS INSET	MSRP	QTY
PDSSI-16 Pocket Door Slide Set Inset 16"	168	set
PDSSI-18 Pocket Door Slide Set Inset 18"	168	set
PDSSI-20 Pocket Door Slide Set Inset 20"	168	set
PDSSI-22 Pocket Door Slide Set Inset 22"	168	set
PDSSI-24 Pocket Door Slide Set Inset 24"	168	set

HINGES (Includes Mounting Plate & Screws)		MSRP	QTY
HINGE-C12	Concealed Traditional (1/2" overlay) 6-way adjustable	5	ea
HINGE-C114	Concealed Modified (1-1/4" overlay) 6-way adjustable	5	ea
HINGE-C12-IM	Concealed InMotion Traditional (1/2" overlay)	10	ea
HINGE-C114-IM	Concealed InMotion Modified (1-1/4" overlay)	10	ea
HINGE-TO	Tip-out Tray hinge (all styles)	51	pr
HINGE-C170	Concealed 170° for FBCC/WCC Trad. or Mod. (11/16" overlay)	15	ea
HINGE-C60	Bifold hinge for between doors on FBCC & WCC	20	ea
HINGE-CFD	Concealed Flip-down (all styles, except those listed below)	5	ea
HINGE-EFD	Exposed Flip-down (raised panel DFMD & Mitered DFMD)	5	ea
HINGE-IFB-BK	Inset Finial Ball Exposed 170° opening – Black	27	ea
HINGE-IFB-PW	Inset Finial Ball Exposed 170° opening – Pewter	27	ea
HINGE-IFB-SN	Inset Finial Ball Exposed 170° opening – Sterling Nickel	27	ea
HINGE-CI	Inset Concealed Hinge 110° opening	15	ea
HINGE-CI170	Inset Concealed hinge 170° opening (For FBCC & WCC only)	20	ea
HINGE-CI-IM	Inset Concealed-IM hinge 105° opening, integrated soft close	20	ea
HINGE-TRI	100° Free-Swing hinge for Tri-View cabinets	11	ea
HINGE-CI-FD	95° Concealed Inset mini hinge for flip-down fronts	16	ea

HINGE MOUNTING PLATES (Hinges not included)		MSRP	QTY
HINGE-MP-60	0mm plate for C60 hinges	2	ea
HINGE-MP-C170	0mm face frame adapter plate for C170 hinges	7	ea
HINGE-MP-CI	9mm face frame adapter plate for CI & CI170 hinges	10	ea
HINGE-MP-TRI	0mm plate for TRI hinges	2	ea

HINGE COVER CAPS		MSRP	QTY
HCC-C60	Cover cap for C60 & CI-FD hinges	2	ea
HCC-INSET	Cover cap for CI hinges	2	ea
HCC-C170	Cover cap for C170	2	ea

HINGE ANGLE REDUCTION CLIP (Loose only)		MSRP	QTY
ARC-CI	Reduces opening angle to 86° on CI hinges	5	ea
ARC-OVERLAY_IM	Reduces opening angle to 86° on C12-IM & C114-IM. Will not work with C114 & C12 hinges	2	ea

MISCELLANEOUS HINGE ITEMS		MSRP	QTY
TLATCH-W	White Touch Latch	10	ea
PINHG10	Pkg of 10 Pin Hinges for Door Samples (DOH-PH)	85	pkg

MAGNETIC CATCHES		MSRP	QTY
MAGI-L	Magnetic Catch with "L" strike plate for Inset doors (Mounts to cabinet floor)	17	ea
MAGI-Z	Magnetic Catch with "Z" strike plate for Inset doors (Mounts to cabinet face frame rail)	19	ea
MAGS	Single Magnetic Catch	10	ea
MAGD	Double Magnetic Catch	8	ea

# Accessories - Hinges & Door Accessories

## inMotion for Doors

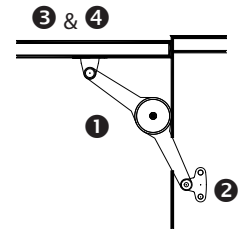
- Senses door size, weight and closing force and automatically adjusts braking power
- Allowed only with concealed hinges
- May be ordered as a Global Hinge Option, or Loose
- Available with Traditional or Modified overlays and with Inset and Beaded Inset doors
- Integrated Mechanisms are nickel-plated steel construction
- Manual screw adjustment for fine tuning
- **Not available:** hinged top doors, pocket doors or with doors for clipped corner cabinets (\_CC)

GLOBAL HINGE OPTION	MSRP	Qty	Overlay
Concealed inMotion	29	per door	Modified and Inset
Concealed inMotion	66	per door	Traditional (Includes \$22 hinge up-charge)

ITEM	Loose Description	MSRP	Qty	Overlay
HINGE-C114-INMO	Mod concealed inMotion hinge	20	ea	Modified
HINGE-C12-INMO	Traditional concealed inMotion hinge	20	ea	Traditional

## Lidstays

- Reversible lidstay hardware surface mounts to door (or lid) and inner side of cabinet
- Door (or lid) locks into position when fully opened
- Adjustable brake controls lid closure
- Packaged with four mounting screws
- Refer to Modifications section for factory installation
- Order individual components of Lidstay



LIDSTAY PARTS	Description	MSRP	Use For
① DUOARM	Arm – Short	81 ea	All applications
② DUOBRKT-C	Cabinet Bracket	10 ea	All applications
③ DUOBRKT-DS	Door Bracket Standard	5 ea	Traditional overlay
④ DUOBRKT-DM	Door Bracket Modified	5 ea	Modified overlay

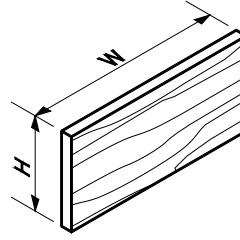
# Accessories - Drawer Fronts & Boxes

## Drawer Fronts (loose)

- Style, edge detail and finish matches order header information
- Max. W: 48"

### To override order header configuration

- Apply DFMD (Drawer Front Match Door) or DFS (Drawer Front Slab) modifications as allowed by door style
- If ordering DFMD, (4) DF-BRKT (drawer front bracket) required per drawer
- DFMD up-charge is applied per drawer front



### Drawer Front Styles

**DF:** Drawer front without machining. Order for typical drawer fronts and tip-out fronts. No prep is required for tip-out hinges, but hinges must be ordered separately.

**DF-FD:** Drawer front machined for flip-down hinges. Flip-down hinges are used for breadboards (BB), chopping blocks (CB) and drawer ironing boards (DIB). Flip-down hinges must be ordered separately.

**DF-FF:** Drawer front with false front clips attached

**Note:** Refer to individual door pages in General Section to determine min. and max. drawer front sizes, selection styles and up-charges

### Sizing Note

Typical Drawer Front heights, Drawer Box heights, and Opening heights are on pages B1-B3 & V1-V4 of Base and Vanity sections

### PRICING NOTE

Price is MSRP per square inch (W x H)

1. Round fractions to next whole number
2. Multiply results by square inch price

Add up-charge per front for DFMD

Formulas for Determining Front Sizes		
	W	H
<b>Modified</b>	Opening + 2-1/2"	Opening + 15/16"
<b>Traditional</b>	Opening + 1"	Opening + 15/16"
<b>Inset</b>	Opening - 3/16"	Opening - 3/16"
Cabinets up to 36" wide have one drawer or front		
Cabinets wider than 36" have two drawers or fronts		

### HOW TO ORDER

Style +	Width +	Height +
<b>DF-FD</b>	<b>18</b>	<b>4.75</b>

DRAWER FRONTS		C1	C2	C4	C4A	C5	C7	C7A	C9	C9A	C10	C10A	C11	C12	C12A	C13	C13A	C14	C15	C16
DF	Drawer Front	0.53	0.68	0.68	0.68	0.68	0.68	0.68	0.68	0.68	0.68	0.68	0.68	0.68	0.68	0.68	0.68	0.86	1.02	1.19
DF-FD	Flip-Down Drawer Front	0.53	0.68	0.68	0.68	0.68	0.68	0.68	0.68	0.68	0.68	0.68	0.68	0.68	0.68	0.68	0.68	0.86	1.02	1.19
DF-FF	False Front	0.53	0.68	0.68	0.68	0.68	0.68	0.68	0.68	0.68	0.68	0.68	0.68	0.68	0.68	0.68	0.68	0.86	1.02	1.19

## Drawer Boxes (loose)

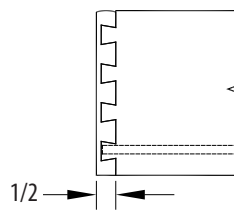
### Choice of materials:

- (1) Solid Wood (SWD): 1/2" thick front, back and sides
  - (2) Hardwood (HWDWR): 5/8" thick solid front, back and sides
- Both feature 1/4" bottom captured on front and sides, glued dovetail construction and clear finish
  - Drawer boxes may be ordered with or without drawer guides
  - SWD Heights: 2-1/4", 3-1/4", 4-1/4", 6-1/4", 8-1/2" and 10-1/4"
  - HWDWR Heights: 2-1/8", 3-1/4", 4-3/4", 8-1/2" and 10"
  - Width: See chart at right
  - Depth: See chart on next page
  - No modifications

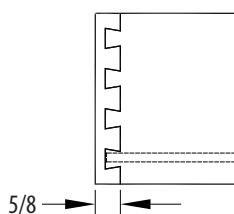
### HOW TO ORDER

Style +	Height +	Width +	Depth
<b>DBOXH-UMFEG-IM</b>	<b>4-3/4</b>	<b>13-15/16</b>	<b>21</b>

### Solid Wood Dovetail



### Hardwood Dovetail



### HOW TO SIZE DRAWER BOX WIDTHS

#### Solid Wood Dovetail Drawer Box Sizes

UMFEG-IM guides	Opening Width less 5/8"
-----------------	-------------------------

#### Hardwood Dovetail Drawer Box Sizes

UMFEG-IM guides	Opening Width less 3/8"
-----------------	-------------------------

HARDWOOD DOVETAIL DRAWER BOXES		MSRP (ea)
DBOXH-NGU	No Guide Under Mount prep	180
DBOXH-UMFEG-IM	Under Mount Full-Extension with inMotion	466

SOLID WOOD DOVETAIL DRAWER BOXES		MSRP (ea)
DBOXH-NGU	No Guide Under Mount prep	78
DBOXH-UMFEG-IM	Under Mount Full-Extension with inMotion	365

# Accessories - Drawer Guides & Hardware

## Drawer Guides & Hardware (loose)

- Loose drawer guides include, cabinet members, sockets and all necessary mounting hardware for drawer box application
- Specify guide type and length (not cabinet depth) Ex: UMFEG-IMS-21
- Drawers less than 9" W use "Narrow" locking mechanisms (ex. B09, BSC36-39, VCOM33, 36 & VSC33-36)

### HOW TO ORDER

Guide Set +	Guide Length
UMFEG-IMS	15

DRAWER GUIDE		MSRP
Under Mount Full Ext. w/inMotion		set of 2
UMFEG-IMS-9	9"	100
UMFEG-IMS-12	12"	100
UMFEG-IMS-15	15"	100
UMFEG-IMS-18	18"	100
UMFEG-IMS-21	21"	100

## Guide Lengths & Drawer Depths by Type and Cabinet Depth

Cabinet Depth	UMFEG-IM			
	Drawer		RO	
	Gd L	Dpth	Gd L	Dpth
12"	9		9	
13"	9		9	
14"	9		9	
15"	12		12	
16"	12		12	
17"	12		12	
18"	15		15	
19"	15		15	
20"	15		15	
21"	18		18	
22"	18		18	
23"	18		18	
24"	21		21	

\*Cabinets greater than 24" D will use same length guides, drawer boxes and roll-outs as standard 24" deep cabinets.

### MISCELLANEOUS HARDWARE

		MSRP	QTY
FFCLIP4	False Front Clip	8	pkg. of 4
UMFEG-IM-DM	Standard Drawer Locking Device	16	set of 2
UMFEG-IM-NDM	Narrow Drawer Locking Device	13	set of 2
BBGUIDE	Breadboard Guides (24" deep cabinets only)	46	set
CBGUIDE	Chopping Block Guides (24" deep cabinets only)	468	set
KBGUIDE	Keyboard & Pencil Drawer Guides	237	set
UMRO-SPCR	1" White Roll-out Spacer	17	pkg. of 4
AROS-SPCRW	1/2" Audio Roll-out Spacer (White)	17	pkg. of 4
AROS-SPCRB	1/2" Audio Roll-out Spacer (Brown)	17	pkg. of 4
SMRO-BRKT	Shelf Mount Roll-out Bracket	29	pkg. of 4
UMFEG-SOCK	Overlay Rear Mount Sockets	7	pr. plastic
UMFEGINS-SOCK	Inset Rear Mount Sockets	8	pr. metal

## Drawer Front Bracket

- Bracket used with 5-piece DFMD drawer front
- Measures 9/16" x 1-1/8" x 1-1/2"
- Color: light brown
- Attaches with 4 flat head screws (provided)

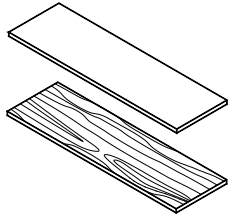


MSRP  
DF-BRKT 5 ea.

# Accessories - Loose Shelves

## Adjustable Shelf

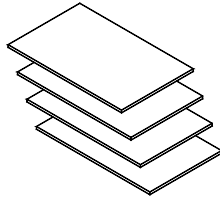
- One 3/4" thick adjustable shelf, finished both faces and one long edge
- Order shelf clips separately



Adjustable Shelf (AS)

## Utility Shelf Kit

- Four 3/4" thick adjustable shelves, finished both faces and one long edge
- Includes clear plastic shelf clips



Utility Shelf Kit (USK)

Size Limits	
Width	9" - 48" (3" increments)
Depth	12", 21" or 24"

Selection Options	
Substrate	(PBD) Particleboard
	(PLY) Plywood
Face Material	(V) Matches order header interior selection
	(FMI) Matches order header face frame species
Thermofoil FMI is painted wood Veneer	

Shelf Modifier – use if cabinet has options listed below	
F	Flush or Panel End (PE)
D	Double-Entry
FD	Double-Entry w/Flush or PE
FL	Active Door Left (ADL)
FR	Active Door Right (ADR)
FLR	Active Door Left & Right
FDL	Double-Entry w/ADL
FDR	Double-Entry w/ADR
FDLR	Double-Entry w/ADL & ADR

## HOW TO ORDER

Style +	Cabinet Width +	Cabinet Depth +	Substrate +	"-" +	Face Material +	"-" +	Modifier
AS	42	12	PBD	-	FMI	-	F

LOOSE SHELVES		PBD-V	PLY-V	PBD-FMI	PLY-FMI
ADJ. SHELVES	12" D CABINET	MSRP			
AS09X12	9" W	22	44	53	71
AS12X12	12" W	24	47	58	76
AS15X12	15" W	25	51	61	81
AS18X12	18" W	27	54	64	86
AS21X12	21" W	29	58	70	92
AS24X12	24" W	31	61	73	98
AS27X12	27" W	32	64	78	103
AS30X12	30" W	34	68	81	109
AS33X12	33" W	36	71	85	114
AS36X12	36" W	37	75	90	119
AS39X12	39" W	39	78	93	126
AS42X12	42" W	41	81	98	131
AS45X12	45" W	42	85	102	136
AS48X12	48" W	44	88	105	141
ADJ. SHELVES	21" D CABINET	MSRP			
AS09X21	9" W	27	54	64	86
AS12X21	12" W	31	61	73	98
AS15X21	15" W	34	68	81	109
AS18X21	18" W	37	75	90	119
AS21X21	21" W	42	85	102	136
AS24X21	24" W	46	92	110	146
AS27X21	27" W	49	98	119	158
AS30X21	30" W	54	109	131	173
AS33X21	33" W	58	115	139	185
AS36X21	36" W	63	126	151	200
AS39X21	39" W	68	136	163	217
AS42X21	42" W	73	146	175	234
AS45X21	45" W	78	156	187	251
AS48X21	48" W	83	166	198	268
ADJ. SHELVES	24" D CABINET	MSRP			
AS09X24	9" W	31	59	71	95
AS12X24	12" W	34	68	81	107
AS15X24	15" W	37	75	90	119
AS18X24	18" W	41	81	98	131
ADJ. SHELVES	12" D CABINET	MSRP			
AS21X24	21" W	47	93	112	149
AS24X24	24" W	51	100	120	161
AS27X24	27" W	54	109	131	173
AS30X24	30" W	59	119	142	192
AS33X24	33" W	63	127	153	204
AS36X24	36" W	70	137	166	220
AS39X24	39" W	75	149	180	239
AS42X24	42" W	80	161	193	256
AS45X24	45" W	85	173	207	273
AS48X24	48" W	90	185	220	290
UTILITY SHELF KITS	12" D CABINET	MSRP			
USK15X12	15" W	119	220	268	349
USK18X12	18" W	126	234	282	370
USK21X12	21" W	132	248	302	390
USK24X12	24" W	139	261	315	417
USK27X12	27" W	146	275	336	438
USK30X12	30" W	153	288	349	458
USK33X12	33" W	159	302	363	478
USK36X12	36" W	166	315	383	499
UTILITY SHELF KITS	21" D CABINET	MSRP			
USK15X21	15" W	153	288	349	458
USK18X21	18" W	166	315	383	499
USK21X21	21" W	187	356	431	566
USK24X21	24" W	200	383	465	607
USK27X21	27" W	214	410	499	655
USK30X21	30" W	234	451	546	716
USK33X21	33" W	248	478	580	763
USK36X21	36" W	268	519	628	824
UTILITY SHELF KITS	24" D CABINET	MSRP			
USK15X24	15" W	166	315	383	499
USK18X24	18" W	181	346	417	546
USK21X24	21" W	204	390	471	621
USK24X24	24" W	219	421	505	668
USK27X24	27" W	234	449	546	716
USK30X24	30" W	256	495	594	790
USK33X24	33" W	271	524	634	838
USK36X24	36" W	293	570	689	906

# Accessories - Loose Shelves

## Bookcase Adjustable Shelf

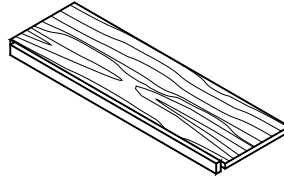
- One 3/4" thick adjustable shelf, finished both faces and front edge
- Finish matches order header face frame species
- Front edge is 3/4" thick x 1-1/2" tall double-eased, solid wood
- Front edge increases depth of shelf to be flush w/cabinet frame
- Specify cabinet width, depth and PBD or PLY
- Order shelf clips separately

### Size Limits

Width	12" - 42" (3" increments)
Depth	12", 21" or 24"

### Selection Options

Substrate	(PBD) Particleboard
	(PLY) Plywood
Thermofoil FMI is painted wood Veneer	
21" and 24" D available only up to 36" W	

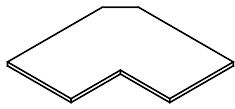


BOOKCASE ADJ. SHELVES		PBD	PLY
LOOSE SHELVES	12" D CABINET	MSRP	MSRP
BCAS12X12	12" W	73	92
BCAS15X12	15" W	78	98
BCAS18X12	18" W	83	105
BCAS21X12	21" W	90	112
BCAS24X12	24" W	95	120
BCAS27X12	27" W	102	127
BCAS30X12	30" W	107	134
BCAS33X12	33" W	112	141
BCAS36X12	36" W	119	148
BCAS39X12	39" W	124	156
BCAS42X12	42" W	131	163
BCAS45X12	45" W	-	170
BCAS48X12	48" W	-	176

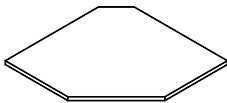
BOOKCASE ADJ. SHELVES		PBD	PLY	BOOKCASE ADJ. SHELVES		PBD	PLY
LOOSE SHELVES	21" D CABINET	MSRP	MSRP	LOOSE SHELVES	24" D CABINET	MSRP	MSRP
BCAS12X21	12" W	88	114	BCAS12X24	12" W	97	122
BCAS15X21	15" W	98	126	BCAS15X24	15" W	107	136
BCAS18X21	18" W	109	137	BCAS18X24	18" W	117	149
BCAS21X21	21" W	122	156	BCAS21X24	21" W	132	170
BCAS24X21	24" W	132	168	BCAS24X24	24" W	142	183
BCAS27X21	27" W	142	181	BCAS27X24	27" W	154	197
BCAS30X21	30" W	156	198	BCAS30X24	30" W	168	217
BCAS33X21	33" W	166	212	BCAS33X24	33" W	180	231
BCAS36X21	36" W	180	229	BCAS36X24	36" W	195	249

## Wall Corner Shelf

- One 3/4" thick adjustable shelf, finished both faces and one long edge
- Order shelf clips separately
- Specify Substrate and Face Material



Wall Corner Cabinet (ASWCC)



Wall Corner Angle (ASWCA)

### Modification Limits (to cabinet depth)

RDA	Reduce D to min. 6"
IDA	Increase D to max. 30"

### Selection Options

Substrate	(PBD) Particleboard
	(PLY) Plywood
Face Material	(V) Matches order header interior selection
	(FMI) Matches order header face frame species
Thermofoil FMI is painted wood Veneer	

## Shelf for Microwave Cabinets

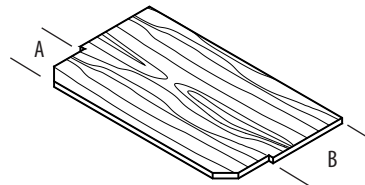
- Loose bottom shelf for Microwave Shelf and Microwave Shelf Cabinet
- One 3/4" thick adjustable shelf, finished both faces and front edge
- Finish matches order header face frame species
- Specify PBD or PLY

### Modification Limits (to cabinet depth)

IDA	Increase D to max. 24"
RDA	Reduce D to min. 9"
RWA	Reduce W to min. 18"
IWA	Increase W to max. 36"

### Selection Options

Substrate	(PBD) Particleboard
	(PLY) Plywood
Thermofoil FMI is painted wood Veneer	



A: 6" overhang does not change with depth modifications

B: Depth modifications applies to full-width shelf area only

### LOOSE SHELVES

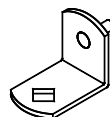
ADJ. SHELVES	WALL CORNER CABINET	PBD-V	PLY-V	PBD-FMI	PLY-FMI
ASWCC2412	WCC 24" x 12"	85	119	136	170
ADJ. SHELVES	WALL CORNER ANGLE				
ASWCA2412	WCA 24" x 12"	85	119	136	170
ASWCA2715	WCA 27" x 15"	102	144	161	195

### LOOSE SHELVES

MICROWAVE LOWER SHELF	MSRP	MSRP
MSCSH24	24" W	187
MSCSH27	27" W	204
MSCSH30	30" W	220

## Adjustable Shelf Clip

- Clear plastic, locking clips (SC-P) or Nickel "L" shaped clips (SC-N)
- Both shelf clips fit in standard 5mm (13/64") diameter system holes



### Nickel Clips

5 per bag	MSRP
SC-N	5



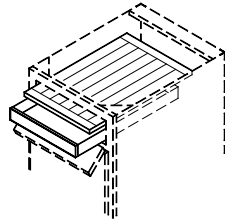
### Plastic Clips

20 per bag	MSRP
SC-P	17
For 3/4" Shelf	

# Accessories - Breadboards & Chopping Blocks

## Breadboard & Shallow Drawer

- 3/4" thick hardwood breadboard and shallow drawer are housed behind flip-down front
- When ordered loose, only breadboard will be provided
- Retrofit kits include breadboard, shallow drawer and guides
- Flip-down front and hinges must be ordered separately
- When installed at factory, unit replaces an existing top drawer
- Size modifications not allowed

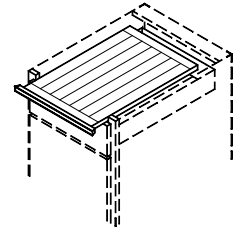


Loose	MSRP	Installed	MSRP	Retrofit Kit	MSRP
BBR15	153	IBB15	215	BBK15	292
BBR18	187	IBB18	241	BBK18	349
BBR21	229	IBB21	266	BBK21	407
BBR24	271	IBB24	292	BBK24	463
BBR27	305	IBB27	317	BBK27	521
		IBB39*	317		
		IBB42*	317		
		IBB45*	343		
		IBB48*	343		

• Callout indicates cabinet width  
• \* L or R required

## Exposed Breadboard

- 3/4" thick hardwood exposed breadboard with matching front
- When ordered loose, only exposed breadboard will be provided
- Retrofit kits include breadboard and guides
- Top rail must be removed from cabinet to allow space for installation
- May be factory installed above top drawer of cabinets 15"–27" wide
- Top of breadboard is 1/8" from top of cabinet
- Size modifications not allowed

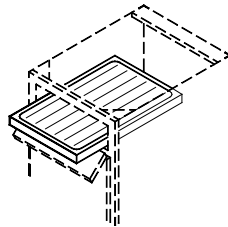


Loose	MSRP	Installed	MSRP	Retrofit Kit	MSRP
EBBR15	204	IEBB15	237	EBBK15	271
EBBR18	237	IEBB18	271	EBBK18	305
EBBR21	280	IEBB21	314	EBBK21	348
EBBR24	322	IEBB24	356	EBBK24	390
EBBR27	356	IEBB27	390	EBBK27	424

• Callout indicates cabinet width

## Chopping Block

- Removable 1-1/2" thick hardwood chopping block with juice groove and locking full-extension guides
- When ordered loose, only chopping block will be provided
- Retrofit kits include chopping block with locking full-extension guides
- Flip-down front and hinges must be ordered separately
- When factory installed, flip-down front and chopping block replace an existing top drawer
- Size modifications not allowed



Loose	MSRP	Installed	MSRP	Retrofit Kit	MSRP
CBR18	305	ICB18	551	CBK18	534
CBR21	339	ICB21	594	CBK21	568
CBR24	382	ICB24	636	CBK24	594
		ICB42*	678		
		ICB48*	721		

• Callout indicates cabinet width  
• \* L or R required



# Accessories - Roll-out Trays

## Roll-out Trays

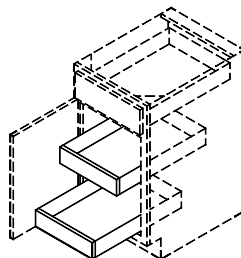
- 3-1/4" H adjustable roll-outs
- 5/8" thick solid hardwood sides with dovetail construction and standard full-extension guides (UMFEG-IM)
- Finished Natural
- Order individually, either loose or installed
- Loose roll-outs (RO) include complete drawer guide set with side mount attachment hardware
- Loose shelf mount roll-outs (SMRO) include complete drawer guide set; order SMRO-BRKT separately
- ➔ Inset cabinets, Cabinets with Flush Ends, Panel Ends, or Active Door ends and cabinets with a fixed center mullion require shelf mount roll-outs (SMRO & ISMRO)

## Installed Roll-outs (IRO) and Installed Shelf mount Roll-outs (ISMRO)

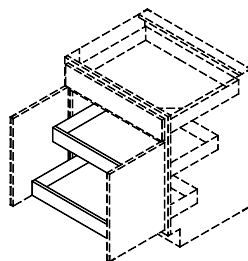
- First roll-out will be placed at bottom of cabinet and additional roll-outs will be evenly spaced above the first
  - **IRO**: replaces existing adjustable shelves included with a cabinet
  - **ISMRO**: mounts on existing shelves modifying the function and replacing those shelves included with a cabinet
  - **Example**: a P2490x21 has four adjustable shelves, adding three ISMRO24 or IRO24 results in a cabinet with one adjustable shelf and three roll-outs
  - Order additional loose adjustable shelves (AS\_) if needed
- Size and price determined by width of cabinet roll-out is installed in
- When installed in a non-standard cabinet size, order a standard IRO or ISMRO large enough to fit cabinet, and no modification is required
- Cabinets above 36" wide have a center mullion and will require shelf mount roll-outs behind each door opening
  - Exception: BRO & FBRO cabinets can add IROs up to 48"

## Side mount (RO) vs. Shelf mount roll-outs (SMRO)

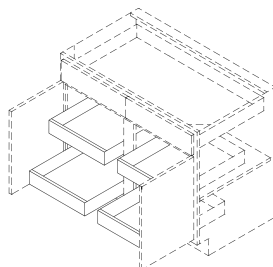
- Side mount roll-outs (RO) attach to cabinet sides and may only be used with Modified and Traditional door style cabinets without a center mullion
- Shelf mount roll-outs (SMRO) attach to existing fixed or adjustable shelf and may be used with any door style
- SMRO required with Inset or on any cabinet with fixed center mullion



**1-door cabinets 15" - 24" wide**  
Full-width, side mount or shelf mount roll-outs



**2-door cabinets 24" - 36" wide**  
**BRO & FBRO cabinets 24" - 48"**  
Full-width, side mount or shelf mount roll-outs



**Cabinets wider than 36"**  
Half-width, shelf mount roll-outs

## Modification Limits (for RO & SMRO)

<b>RDA</b>	Reduce D to min. 12" (loose only)
<b>IDA</b>	Not available
<b>RWA</b>	Reduce W to min. 15" (loose only)
<b>IWA</b>	Increase W to max. 48" (RO) or 36" (SRMO) (loose only)
<b>RHA, IHA</b>	Not available

Modifications to Roll-outs carry an additional charge. See pg M-3

Loose Shelf Mount Roll-outs ➔	Width of Cabinet	MSRP	Installed Shelf Mount Roll-outs	Width of Cabinet	MSRP	Loose Roll-outs	Width of Cabinet	MSRP	Installed Roll-outs	Width of Cabinet	Installed MSRP
SMRO15	15	185	ISMRO	15	271	RO15	15	185	IRO	15	271
SMRO18	18	202		18	288	RO18	18	202		18	288
SMRO19.5	39	212		39	297	RO21	21	220		21	307
SMRO21	21 & 42	220		21 & 42	307	RO24	24	241		24	327
SMRO22.5	45	231		45	317	RO27	27	256		27	343
SMRO24	24 & 48	241		24 & 48	327	RO30	30	271		30	358
SMRO27	27	256		27	343	RO33	33	288		33	375
SMRO30	30	271		30	358	RO36	36	304		36	390
SMRO33	33	288		33	375	RO39	39	321		*39	407
SMRO36	36	304		36	390	RO42	42	338		*42	424
						RO45	45	354		*45	441
						RO48	48	371		*48	458

Loose Bracket

MSRP

SMRO-BRKT

34



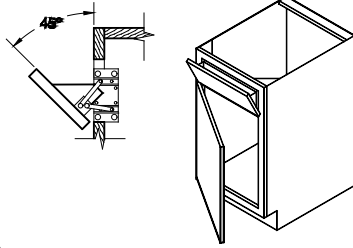
SMRO-BRKT must be ordered with loose SMRO



# Accessories - Drawer Accessories & Organization

## Tip-out Trays

- Loose trays available in 10", 11", 14" and 19" widths
- Tip-out hinges and mounting screws included
- Existing drawer front or false front may be used. (Special machining not required.)
- For factory installation, apply one ITO modification per tip-out front and proper size will be installed

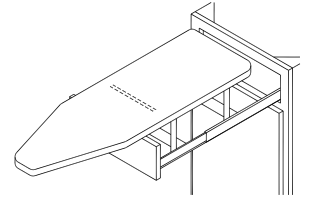


Cabinet not included

Installed ITO		MSRP
		251
Loose		MSRP
TO10	10" Single Stainless Steel	119
TO11	11-1/4" Pair White Plastic	139
TO14	14-1/4" Pair White Plastic	141
TO19	19" Single Stainless Steel	124

## Drawer Ironing Board

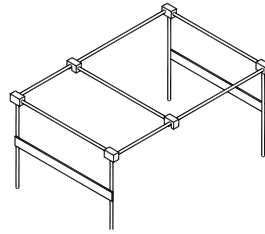
- Surface is 11-1/4" x 36-5/8"
- Ironing board slides out and unfolds to lock into position
- Includes ironing board cover and all hardware to install
- Existing drawer front or false front may be used. (Special machining not required.)
- Min. opening: 4" H x 14-1/4" W x 19-5/8" D
- Max. opening W: 19-5/8"
- May be installed in top drawer opening of the following Base cabinets:
  - 18" or 21" W
  - One side of a 39" or 42" W
  - 36" W with 2DF or 2FF modification (Specify R or L)



Installed IDIB		MSRP
		889
Loose DIB		MSRP
		719

## File Drawer Systems

- Black wire file drawer racks
- Each system includes corner connectors and adjustable T-rod connections to allow divided storage for letter and legal size folders
- Designed to fit into Base 18" or 21" cabinets; metal supporters can be trimmed to fit various drawer sizes
- Loose only



Letter size (SMFD): 13" W x 9-3/4" H x 19-1/4" D

### Drawer Requirements:

Min. W: 13" | Min. H: 8-1/2" | Min. D: 9"

Legal size (LGFD): 15-7/8" W x 9-3/4" H x 19-1/4" D

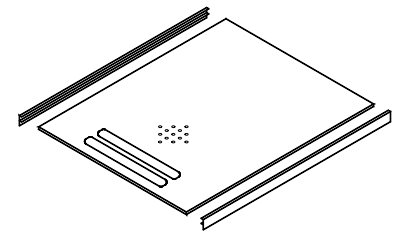
### Drawer Requirements:

Min. W: 15-7/8" | Min. H: 8-1/2" | Min. D: 9"

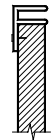
	Loose	MSRP
SMFD		109
LGFD		124

## Bread Drawer Cover Kit

- Channel rails attach to exterior of drawer box
- Textured white plastic cover is trimmed to fit
- When drawer is open, cover slides back to expose inside of drawer
- Loose only



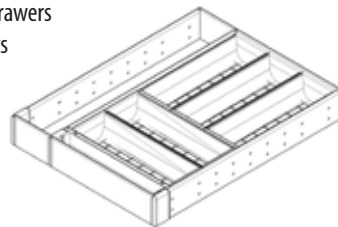
Drawer Cross Section



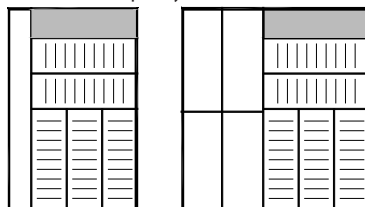
	W x D	MSRP
BDCK-S	16-3/4" x 21-1/4"	81
BDCK-L	20-1/8" x 21-1/4"	93

## Drawer Organizer Kit System

- Adjustable organization for wood drawers
- Fits 15", 18", 21" and 24" W cabinets
- Each kit contains:
  - (2) End caps
  - (1) 3-1/2" adj. divider
  - (3) 4-1/4" adj. dividers
  - (3) 5" adj. dividers
  - (2) Side rails
  - (1) Cutlery kit
  - (1) Compensation tray
- Loose only
- No modifications allowed
- Instructions included
- Drawer box not included



Sample Layouts



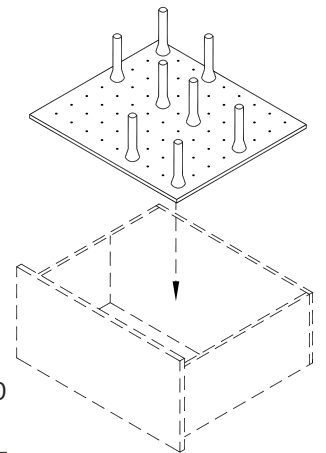
18" cabinet

24" cabinet

Loose	MSRP
DOKS	424

## Drawer Peg System

- Pegboard and push pegs
- Maple with natural finish
- Available in three sizes or may be trimmed to size
- Number of pegs depends on pegboard width (see below)



24" SIZE: 24-1/4" W x 6-5/8" H x 21-1/4" D  
9 Pegs

30" SIZE: 30-1/4" W x 6-5/8" H x 21-1/4" D  
12 Pegs

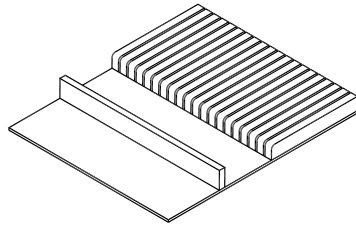
39" SIZE: 39-1/4" W x 6-5/8" H x 21-1/4" D  
16 Pegs

Loose	MSRP
DPS24	290
DPS30	353
DPS39	455

# Accessories - Drawer Organization

## Wood Knife Block Insert

- Birch/Maple hardwood with UV-cured clear finish
- 19 knife slots
- May be trimmed to fit drawers of various widths and depths
- Wood Drawer Divider (WDD) included
- Loose only
- No modifications



SIZE: 18-1/2" W x 2-3/8" H x 22" D

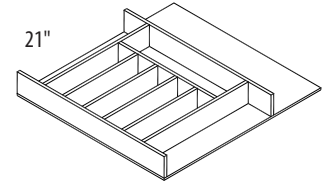
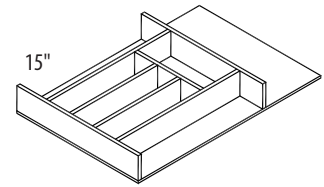
### Drawer Requirements:

Min. W: N/A | Min. H: N/A | Min. D: 15-5/16"

Loose	MSRP
WKBT	324

## Wood Cutlery Tray Insert

- Birch/Maple hardwood with UV-cured clear finish
- May be trimmed to fit various drawer widths and depths
- Loose only
- No modifications



15" SIZE: 14-5/8" W x 2-3/8" H x 22" D

### Minimum trim sizes:

W: 8-3/4" | H: N/A | D: 15-1/2"

21" SIZE: 20-1/16" W x 2-3/8" H x 22" D

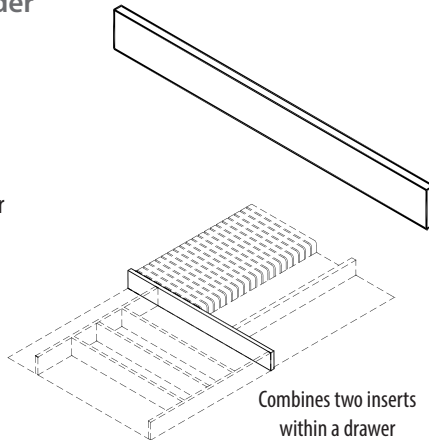
### Minimum trim sizes:

W: 14-1/2" | H: N/A | D: 15-1/2"

Loose	MSRP
WCT15	200
WCT21	254

## Wood Drawer Divider

- 1/2" thick
- Birch/Maple hardwood with UV-cured clear finish
- Allows Cutlery and Utility drawer inserts to be combined in a single drawer
- May be trimmed to fit various drawer sizes
- Loose only
- No modifications



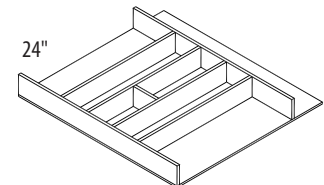
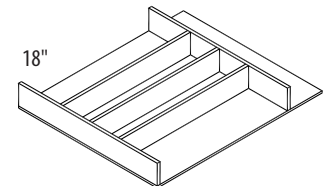
Combines two inserts within a drawer

SIZE: 2-3/8" H x 22" D

Loose	MSRP
WDD	37

## Wood Utility Tray Insert

- Birch/Maple hardwood with UV-cured clear finish
- May be trimmed to fit various drawer widths and depths
- Loose only
- No modifications



WUT18: 18-1/2" W x 2-3/8" H x 22" D

### Minimum trim sizes:

W: 8-1/8" | H: N/A | D: 17"

WUT24: 24" W x 2-3/8" H x 22" D

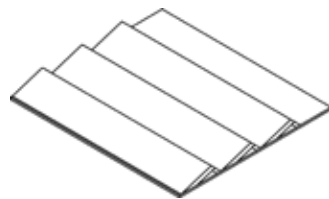
### Minimum trim sizes:

W: 12" | H: N/A | D: 17-5/8"

Loose	MSRP
WUT18	195
WUT24	254

## Wood Spice Rack Tray

- Birch/Maple hardwood with UV-cured clear finish
- Three rows of storage
- May be ordered loose or installed into top drawer of a single door cabinet and into one or both top drawers of double door cabinets
- Loose trays are 3" less than callout width and may be trimmed to fit various drawer sizes at jobsite
- No modifications



SIZE: 1-1/2" H x 19-3/4" D (laid flat)

Loose	MSRP	Installed	MSRP
WSRT12	127	IWSRT12	244
WSRT15	170	IWSRT15	285
WSRT18	210	IWSRT18	327
WSRT21	253	IWSRT21	370
WSRT24	295	IWSRT24	412



### Factory Installation Requirements:

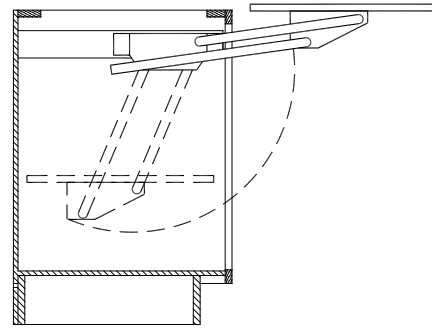
Specify R or L drawer for cabinets that have two top drawers as a standard as well as cabinets that allow 2DF1 modification. (Replace one drawer with two drawers.)

Standard Cabinet size	WSRT or IWSRT size	Apply 2DF1
B12 - B24	Call-out width	
B24DD - B30	24	
	12L &/or 12R	Yes
B33	24	
	15L &/or 15R	Yes
B36	24	
	18L &/or 18R	Yes
B39	18L &/or 18R	
B42 - B45	21L &/or 21R	
B48	24L &/or 24R	

# Accessories - Cabinet Organization

## Swing-up Mixer Shelf

- 3/4" thick x 20-1/2" D shelf matches cabinet interior
- Shelf swings up and locks in place approx. 3/4" below counter level
- Retracts to horizontal, locked position inside cabinet
- Shelf width is 6-5/16" less than cabinet width
- Extends 22-5/8" from cabinet face
- Mixer size: 15-13/16" H x 14-9/16" D (place at front edge of shelf)
- Load bearing capacity 60 lbs.
- May be ordered loose or installed in full door cabinets
- When ordering loose (SUMS), mixer shelf is not provided so a 3/4" Custom Panel (CP STD 3/4 MCI (W)x(20-1/2"H) F2F edge banded on four edges (YYYY) must be ordered
- ➔ Width of CP needs to be 6-5/16" less than cabinet width



### Cabinet Requirements:

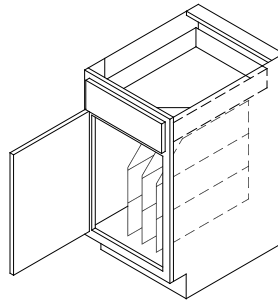
Min. D: 24" | Only full, single door cabinets 15" - 24" W  
or 24" W double door cabinet (requires mounting to both end panels for stability)

Installed	MSRP
ISUMS	1085
Loose	MSRP
SUMS	619

## Tray Dividers

- Chrome wire dividers may be ordered loose or installed
- Loose divider comes with mounting clips
- Shelf removed when installed in Base cabinet
- For Installed: specify quantity, size, and door location (see pg M-1)
- Dividers are spaced evenly behind single and double doors (max. behind each door is four)

B18L shown with (3) ITD18



TD12: 12" H x 20" D

**Cabinet sizes (Wall only):**

W: N/A | H: 18" or 21" | D: 24"

TD18: 18" H x 20" D

**Cabinet sizes (Wall and Base):**

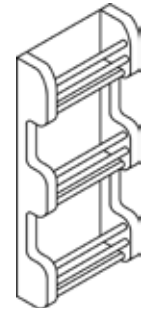
W: N/A" | H: 24" | D: 24"

Installed	MSRP
ITD12	68
ITD18	73

Loose	MSRP
TD12	42
TD18	47

## Door Mount Spice Rack

- Birch/Maple hardwood with UV-cured clear finish
- Attaches to inside of door or other flat surface with mounting brackets (adjust up to 5")
- Three fixed shelves
- When attaching to back of door: cabinet's adjustable shelf depth must be reduced, and new shelf clip holes drilled
- Loose only



DSR15: 9-1/16" W x 21-1/2" H x 3-1/8" D

**Cabinet requirements:**

Min. W: 14" (Inset: 15") | Min. Opening H: 22"

DSR18: 12-1/16" W x 21-1/2" H x 3-1/8" D

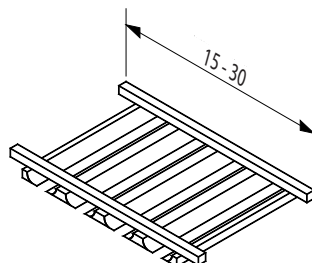
**Cabinet requirements:**

Min. W: 17" (Inset: 18") | Min. Opening H: 22"

Loose	MSRP
DSR15	146
DSR18	176

## Stemware Holder

- Fits on any flat surface or under wall cabinet (trim ends to recess under wall cabinet)
- First number indicates number of rows for glass stems
- Second number indicates width
- Accepts a maximum 3" diameter stemware base
- Shipped assembled

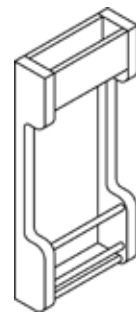


Four-row model shown

	MSRP
STEM3-15	356
STEM4-18	385
STEM4-21	414
STEM5-24	443
STEM6-27	471
STEM7-30	500

## Sink Base Wood Door Storage Rack

- Birch/Maple hardwood with UV-cured clear finish
- Rack attaches to inside of door with mounting brackets (adjust up to 5")
- Two fixed shelves
- Plastic shelf liner for top shelf included
- Loose only



DSTR: 10-1/2" W x 18-1/2" H x 5" D

**Cabinet requirements:**

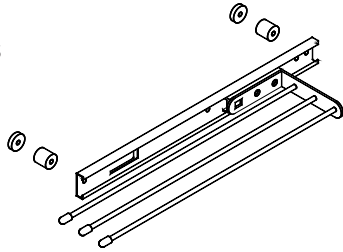
Min. W: 13" (Inset: 15") | Min. Opening H: 22"

Loose	MSRP
DSTR	258

# Accessories - Cabinet Organization

## Pull-out Towel Rack

- Chrome wire three-prong towel holder
- Mounts inside cabinet to cabinet end
- Slide extends 12" beyond frame
- Includes spacers and installation screws
- Reversible for R or L installation
- Loose only

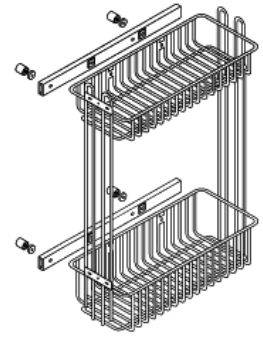


Size: 5" W x 1-1/4" H x 17-3/4" D

Loose	MSRP
POTR	131

## Mini Pantry Pull-out

- White vinyl-coated wire baskets
- Mount to inside of cabinet end
- Slides extend 12-1/2"
- Includes spacers and installation screws
- Reversible for R or L installation
- Loose only

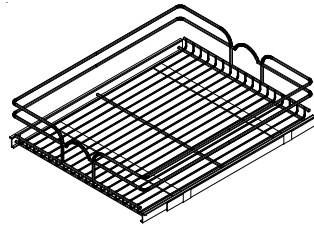


Size: 6-3/8" W x 19-1/2" H x 19-3/8" D

Loose	MSRP
MPPO	397

## Pull-out Wire Basket 1-tier

- Chrome wire baskets
- Includes bottom mount slides that mount to floor of cabinet
- Installation hardware included
- Loose only



7" H x 22" D (see W below)

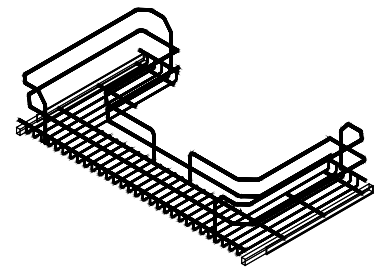
### Cabinet requirements:

- POWB12: Min. W 15" (Inset: 18")
- POWB15: Min. W 18" (Inset: 21")
- POWB18: Min. W 21" (Inset: 24")
- POWB21: Min. W 24" (Inset: 27")

Loose	MSRP
POWB12	327
POWB15	365
POWB18	395
POWB21	438

## Undersink Pull-out

- Chrome U-shaped wire basket
- Designed to fit around plumbing under kitchen sink
- Install into bottom of 2-door base sink cabinets
- Full-extension soft-close guides rated at 75 lbs. (included)
- Loose only



SPOWB: 33" W x 5-1/2" H x 18-1/4" D

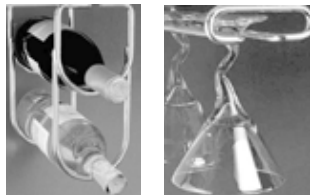
### Cabinet requirements:

- Min. W: 39" (Inset: 39")
- Min. Opening W: 34" (Inset: 35")
- Specify NCM modification to new cabinets
- Remove center mullion from existing cabinet

Loose	MSRP
SPOWB	1379

## Wire Bottle and Stemware holders

- Fits under wall cabinet
- Heavy-gauge wire construction
- Mounting hardware included
- Available in four finishes: chrome, satin nickel, brass and oil rubbed bronze
- Loose only



- DBR: 4-1/4" W x 9" H x 5/8" D (ea)
- STEM1: 4-1/4" W x 1-1/2" H x 11" D
- STEM4: 17" W x 1-1/2" H x 11" D



DbL. Bottle	MSRP	Stem-1 row	MSRP	Stem-4 row	MSRP
DBR-CR	61	STEM1-CR	36	STEM4-CR	132
DBR-SN	68	STEM1-SN	41	STEM4-SN	154
DBR-BR	71	STEM1-BR	42	STEM4-BR	161
DBR-ORB	86	STEM1-ORB	49	STEM4-ORB	173

## Under Sink Pull-out Caddy

- Heavy-gauge, chrome wire frame with plastic leak-proof trays
- Caddy is completely removable and easy to carry
- Handle adjusts to accommodate for plumbing or obstructions
- Slides mount to floor of cabinet
- Installation hardware included
- Loose only



Unit size: 11-1/4" W x 19-1/2" H x 16-1/4" D

### Cabinet requirements:

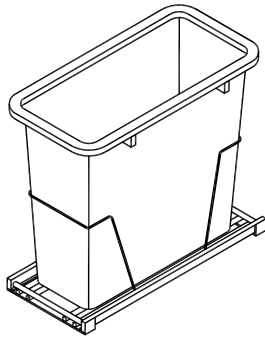
- Min. Opening 11-1/2" W x 20" H
- Min. depth (interior) 16-1/2" D

Loose	MSRP
USPOC	373

# Accessories - Cabinet Organization

## Single Trash Pull-out

- White wire frame holds single removable white molded plastic 30-quart waste container
- Bottom mount slides attach to floor of cabinet
- Includes installation hardware
- Loose only

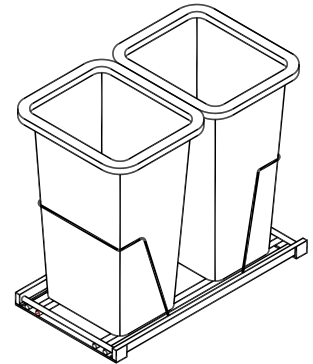


Unit size: 9-1/2" W x 19-1/4" H x 22" D

Loose	MSRP
TPO1	332

## Double Trash Pull-out

- White wire frame holds two removable white molded plastic waste containers
- Bottom mount slides attach to floor of cabinet
- TPO2S has 27-quart containers
- TPO2L has 35-quart containers
- Includes installation hardware
- Loose only



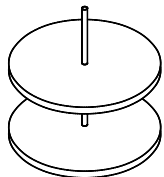
### Unit sizes

TPO2S: 11-3/8" W x 19-1/8" H x 22" D  
 TPO2L: 14-1/4" W x 19-1/4" H x 22" D

Loose	MSRP
TPO2S	461
TPO2L	495

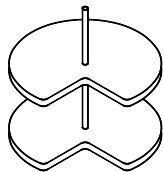
## Lazy Susan Kits - White Plastic

- Includes white plastic shelves, shaft and hardware to install in cabinet



Round Lazy Susan Kit

	Loose	MSRP	Qty. of Shelves
LSK1830R (WCA30)		256	2
LSK1836R (WCA36)		290	2
LSK1842R (WCA42)		375	3
LSK24R (FBCA33)		400	2
LSK28R (FBCA36)		490	2

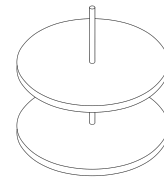


Kidney Lazy Susan Kit

	Loose	MSRP	Qty. of Shelves
LSK24K (FBCC33)		551	2
LSK28K (FBCC36)		553	2

## Lazy Susan Kits - Wood

- Includes wood shelves, shaft and hardware to install in cabinet



Round Lazy Susan Kit

	Loose	MSRP	Qty. of Shelves
LSK1830RW (WCA30)		648	2
LSK1836RW (WCA36)		753	2
LSK1842RW (WCA42)		967	3

## Pull-out 7 Hook Cookware Organizer

- Solid maple construction
- Removable zinc metal hooks
- Mounts to bottom side of frame rail and cabinet back
- 100lb weight capacity
- Loose only



- **Inset cabinets:** pull-out must be trimmed down 1/4" and cleating installed behind frame rail

Unit size: 4-1/4" W x 3" H x 22-1/2" D  
 (5"H with hooks)

Cabinet requirements:  
 Min. D: 24"

Loose	MSRP
P7HKC	732

## Pull-out Wine Storage

- Mounts to floor of cabinet
- Stores wine bottles horizontally
- Solid maple construction
- Full-extension ball bearing guides
- Select 3, 4 or 5 tier pull-out
- Loose only
- Ships assembled



PWS24 Shown

### Unit sizes

PWS18: 16-1/8" W x 11" H x 22-1/2" D  
 PWS24: 16-1/8" W x 14-5/8" H x 22-1/2" D  
 PWS30: 16-1/8" W x 18-1/4" H x 22-1/2" D

### Cabinet requirements:

Min. W: 18" (Inset: 21") | Min. D: 24"

Loose	MSRP	Qty. of Bottles	Tiers
PWS18	1281	18	3
PWS24	1630	24	4
PWS30	1940	30	5



# Accessories - Floating Shelves: Wood & Laminate

## Floating Shelves - Wood or Laminate

- Mounts flush to wall for a sleek, clean look
- Standard and Custom sizes available in Wood or Laminate construction
- Standard sized shelves: Include bracket(s)
- Bracket: Heavy duty steel with 16" OC mounting holes (screws not included)
  - Must be secured to solid wood framing in order to achieve weight rating
- Weight Rating for standard shelves only:  
21" - 36" W = 50 lbs | 42" - 60" W = 100 lbs

### Wood Construction:

- Top/Bottom: 1/2" thick veneer plywood
- Front/Ends: 3/4" solid wood

### Laminate Construction:

- Top/Bottom: 1/2" thick plywood
- Front/Ends: 1/2" thick plywood
- Butt joint assembly and laminated surfaces

### For Thermofoil door styles order:

- White = White Paint
- Crème = Crème Paint

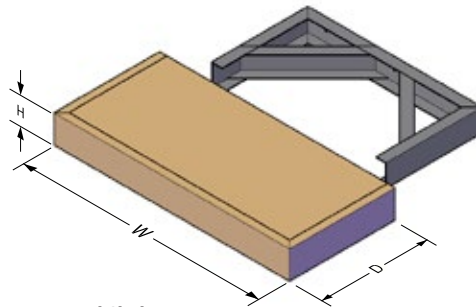
Standard Shelves	MSRP
FS21WB	575
FS24WB	586
FS27WB	634
FS30WB	644
FS33WB	655
FS36WB	701
FS42WB	891
FS48WB	909
FS54WB	997
FS60WB	1015

SIZE: 2-3/4" H x 10-3/4" D  
Callout indicates shelf width

Custom Shelf	Sq. Inch
FS	.95

\*Specify W x H x D  
Brackets not included

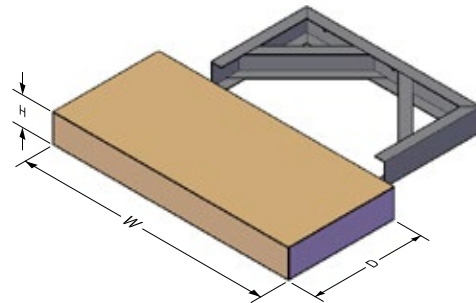
Custom Shelf Size Limits	
Width	12" - 96" (1/4" increments)
Height	1-1/2" - 3" (1/4" increments)
Depth	6" - 12" (1/4" increments)
Custom Shelf Pricing	
Price is MSRP per square inch (W x D)	
1. Round fractions to next whole number	
2. Multiply results by square inch price	



### Wood Shelves:

Provided when a wood door style is ordered

**Note:** Clear material is provided on rustic wood orders



### Laminate Shelves:

Provided when HPL is requested

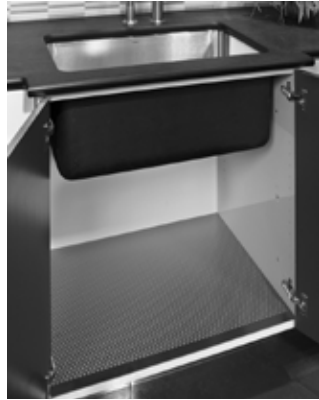
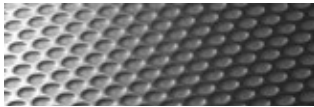
**HPL Note:** A fine black edge may be visible where top, bottom, front and sides meet. It is the laminate backer commonly used with these materials

Alpine doors: shelf matches cabinet frame and wood construction rules unless requested to match door face

# Accessories - Miscellaneous

## Sink Cabinet Floor Liner

- Flexible liner made of grey/stainless colored polystyrene
- Designed to prevent damage to cabinet floor by collecting liquid spills in unique dimples
- No modifications (may be cut on site with table saw)



Size: 3/32" thick x 45-1/2" W x 24-5/8" D

	MSRP
LNRSS	271

## Additional Pull-outs Available

See other book sections for more products:

### Wall

- Pantry
- Organizer (Stainless Steel)
- Filler Spice Rack
- Filler Organizer (Stainless Steel)

### Base & Full Base

- Pantry
- Filler Spice Rack
- Filler Organizer (Stainless Steel)
- Waste Container
- Swing-out Pantry
- Blind Corner Optimizer

### Tall

- Filler Storage
- Filler Organizer
- Utility Trays

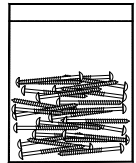
## MISCELLANEOUS HARDWARE

Plastic Screw Caps (50 per bag)



	MSRP
CAPS-W (White)	20
CAPS-LB (Light Brown)	20

Installation Screws (70 per bag)



Loose	MSRP
SCREWS-I	20

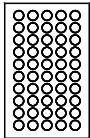
## STAIN, LACQUER AND TOUCH-UP

13 oz Clear lacquer aerosol



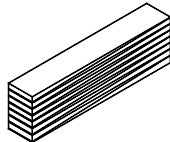
	MSRP
LAQ-STD Std Gloss	90
LAQ-MAT Matte Gloss	90

Clear Bumper Pads (50 per sheet)



	MSRP
PADS	8

Wood Installation Shims (bundle)



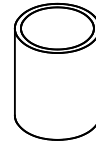
	MSRP
SHIMS	19

13 oz aerosol of paint



Specify paint color -AERO	MSRP
_____-AERO Paint	90

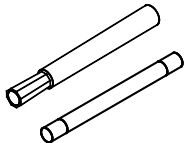
Quart of Stain or Paint



	MSRP
QST 1 Quart Stain	105
QPT 1 Quart Paint	105

Color determined by order header

Stain or Paint pen and putty stick



	MSRP
TUK Touch-up Kit	98

Color determined by order header

### NOTE

Colors that receive paint pen only:

- |          |         |                 |
|----------|---------|-----------------|
| Ash      | Granite | Snowcap         |
| Black    | Ivory   | Summer Cloud    |
| Chambray | Mojave  | Thunder         |
| Eggshell | Navy    | Pick Your Paint |
| Fog      | Olive   |                 |
| Frosty   | Smoke   |                 |

### NOTE

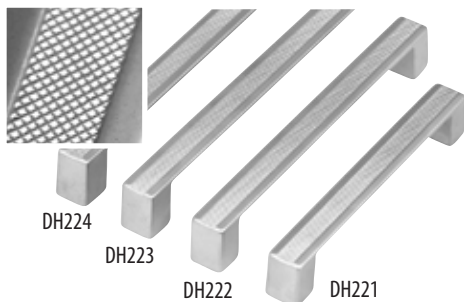
Quarts of color (QST, QPT), Aerosol lacquer and Aerosol paint are for touch-up purposes only.

They will not provide a consistent match to factory-finished product if applied to unfinished material.

**Not available** with Pick-Your-Paint program

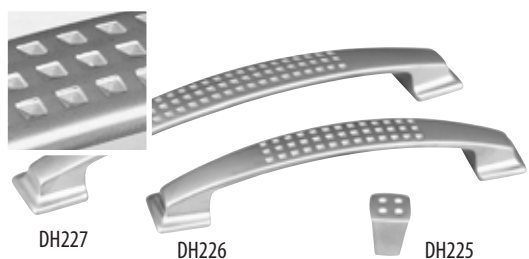
Contact customer service for information about matching stains and paints.

## Accessories - Decorative Hardware (Contemporary Collections)

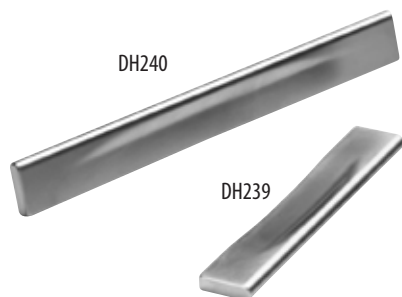


Item	Type	Finish	Drill C/C	Overall Length	Projection	Base Width	MSRP
DH221-15	Pull	Satin Nickel	5-1/16	5-3/8	7/8	5/8 x 1/2	70
DH222-15	Pull	Satin Nickel	6-5/16	6-3/4	7/8	5/8 x 1/2	76
DH223-15	Pull	Satin Nickel	7-9/16	8-1/8	7/8	5/8 x 1/2	83
DH224-15	Pull	Satin Nickel	12-5/8	13-1/8	7/8	5/8 x 1/2	137

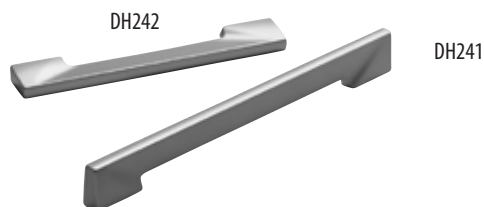
Visit the Decorative Hardware section of our website to see color photos:  
<http://www.canyoncreek.com/styles-finishes/decorative-options/decorative-hardware/>



Item	Type	Finish	Drill C/C	Overall Length	Projection	Base Width	MSRP
DH225-15	Knob	Satin Nickel	N/A	5/8 x 5/8	7/8	3/8	39
DH226-15	Pull	Satin Nickel	5-1/16	6	1	7/8 x 7/8	70
DH227-15	Pull	Satin Nickel	6-5/16	7-1/4	1	7/8 x 7/8	76



Item	Type	Finish	Drill C/C	Overall Length	Projection	Base Width	MSRP
DH239-15	Pull	Satin Nickel	3-3/4 or 5-1/16	5-1/2	7/8	1/4	76
DH240-15	Pull	Satin Nickel	6-5/16 or 7-9/16	8	7/8	1/4	90
DH239-MB	Pull	Matte Black	3-3/4 or 5-1/16	5-1/2	7/8	1/4	76
DH240-MB	Pull	Matte Black	6-5/16 or 7-9/16	8	7/8	1/4	90

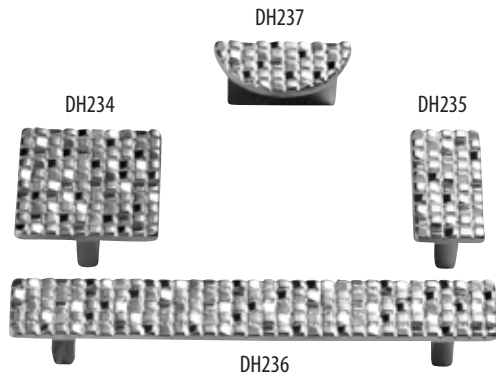


Item	Type	Finish	Drill C/C	Overall Length	Projection	Base Width	MSRP
DH241-M26	Pull	Matte Chrome	3-3/4 or 5-1/16	5-1/2	7/8	3/8	70
DH242-M26	Pull	Matte Chrome	6-5/16 or 7-9/16	8	7/8	3/8	76

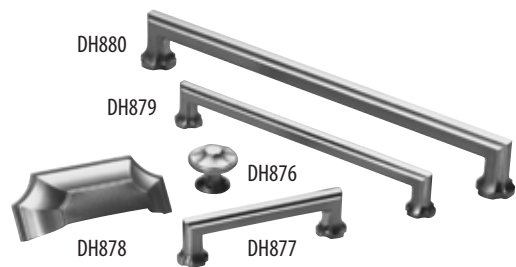
Photos may not accurately represent product. Please view a sample prior to placing an order.



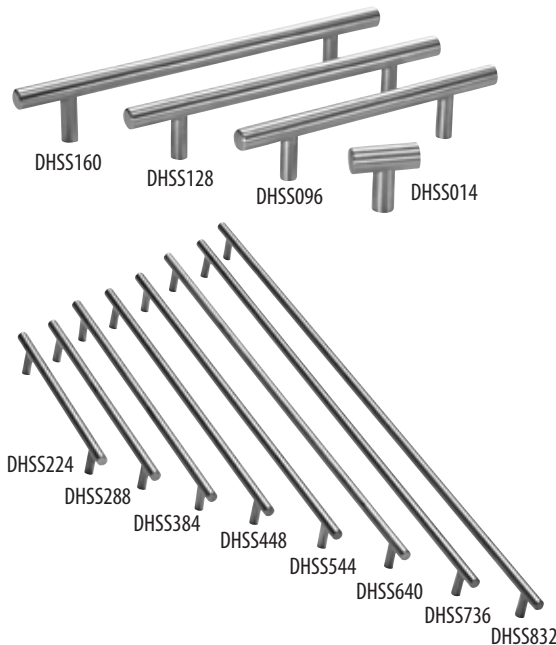
# Accessories Decorative Hardware (Contemporary Collections)



Item	Type	Finish	Drill C/C	Overall Length	Projection	Base Width	MSRP
DH234-15	Knob	Satin Nickel	1-1/4	1-7/8 x 1-7/8	7/8	3/8 x 1-5/8	70
DH235-15	Knob	Satin Nickel	1-1/4	1-7/8 x 1	7/8	3/8 x 1-5/8	70
DH236-15	Pull	Satin Nickel	5-1/16	6-1/2 x 1	1	1/2 x 1/4	76
DH237-15	Knob	Satin Nickel	1-1/4	1-7/8 x 1	7/8	3/8 x 1-5/8	63
DH234-26	Knob	Polish Chrome	1-1/4	1-7/8 x 1-7/8	7/8	3/8 x 1-5/8	70
DH235-26	Knob	Polish Chrome	1-1/4	1-7/8 x 1	7/8	3/8 x 1-5/8	70
DH236-26	Pull	Polish Chrome	5-1/16	6-1/2 x 1	1	1/2 x 1/4	76
DH237-26	Knob	Polish Chrome	1-1/4	1-7/8 x 1	7/8	3/8 x 1-5/8	63
DH234-FAB	Knob	Antique Bronze	1-1/4	1-7/8 x 1-7/8	7/8	3/8 x 1-5/8	70
DH235-FAB	Knob	Antique Bronze	1-1/4	1-7/8 x 1	7/8	3/8 x 1-5/8	70
DH236-FAB	Pull	Antique Bronze	5-1/16	6-1/2 x 1	1	1/2 x 1/4	76
DH237-FAB	Knob	Antique Bronze	1-1/4	1-7/8 x 1	7/8	3/8 x 1-5/8	63



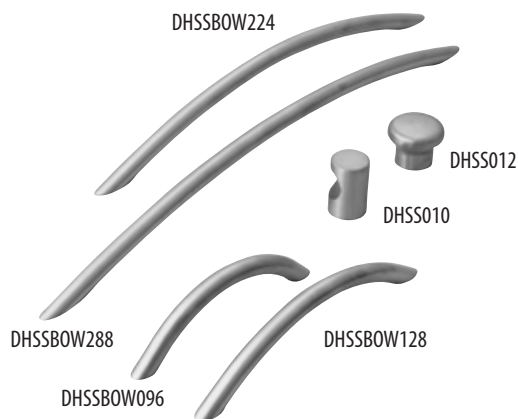
Item	Type	Finish	Drill C/C	Overall Length	Projection	Base Width	MSRP
DH876-AN	Knob	Antique Nickel	N/A	1-3/8 dia.	1-1/8	1	54
DH877-AN	Pull	Antique Nickel	4	4-7/8	1-1/4	7/8 x 7/8	63
DH878-AN	Cup Pull	Antique Nickel	3	4-3/8	1-1/4	-	63
DH879-AN	Pull	Antique Nickel	8	8-7/8	1-1/4	7/8 x 7/8	90
DH880-AN	Pull	Antique Nickel	12	13-1/8	1-5/8	1-1/8 x 1-1/8	200
DH876-BBZ	Knob	Brushed Bronze	N/A	1-3/8 dia.	1-1/8	1	54
DH877-BBZ	Pull	Brushed Bronze	4	4-7/8	1-1/4	7/8 x 7/8	63
DH878-BBZ	Cup Pull	Brushed Bronze	3	4-3/8	1-1/4	-	63
DH879-BBZ	Pull	Brushed Bronze	8	8-7/8	1-1/4	7/8 x 7/8	90
DH880-BBZ	Pull	Brushed Bronze	12	13-1/8	1-5/8	1-1/8 x 1-1/8	200
DH876-EBZ	Knob	Empire Bronze	N/A	1-3/8 dia.	1-1/8	1	54
DH877-EBZ	Pull	Empire Bronze	4	4-7/8	1-1/4	7/8 x 7/8	63
DH878-EBZ	Cup Pull	Empire Bronze	3	4-3/8	1-1/4	-	63
DH879-EBZ	Pull	Empire Bronze	8	8-7/8	1-1/4	7/8 x 7/8	90
DH880-EBZ	Pull	Empire Bronze	12	13-1/8	1-5/8	1-1/8 x 1-1/8	200



Item	Type	Finish	Drill C/C	Overall Length	Projection	Base Width	MSRP
DHSS014	"T" Knob	Stainless Steel	N/A	1-3/8	1-3/8	1/2	44
DHSS096	Bar Pull	Stainless Steel	3-3/4	6-1/8	1-3/8	1/2	78
DHSS128	Bar Pull	Stainless Steel	5-1/16	7-3/8	1-3/8	1/2	81
DHSS160	Bar Pull	Stainless Steel	6-5/16	8-5/8	1-3/8	1/2	88
DHSS224	Bar Pull	Stainless Steel	8-13/16	11-1/8	1-3/8	1/2	105
DHSS288	Bar Pull	Stainless Steel	11-5/16	13-3/4	1-3/8	1/2	112
DHSS384	Bar Pull	Stainless Steel	15-1/8	17-1/2	1-3/8	1/2	137
DHSS448	Bar Pull	Stainless Steel	17-5/8	20	1-3/8	1/2	149
DHSS544	Bar Pull	Stainless Steel	21-7/16	23-3/4	1-3/8	1/2	175
DHSS640	Bar Pull	Stainless Steel	25-3/16	27-1/2	1-3/8	1/2	192
DHSS736	Bar Pull	Stainless Steel	29	31-3/8	1-3/8	1/2	217
DHSS832	Bar Pull	Stainless Steel	32-3/4	35-1/8	1-3/8	1/2	229

Photos may not accurately represent product. Please view a sample prior to placing an order.

# Accessories - Decorative Hardware (Contemporary Collections)



Item	Type	Finish	Drill C/C	Overall Length	Projection	Base Width	MSRP
DHSS010	Knob	Stainless Steel	N/A	3/4 dia.	1-1/8	3/4	51
DHSS012	Knob	Stainless Steel	N/A	1-3/16 dia.	7/8	3/4	81
DHSSBOW096	Bow Pull	Stainless Steel	3-3/4	4-1/2	1-1/8	3/8	51
DHSSBOW128	Bow Pull	Stainless Steel	5-1/16	6-1/8	1-1/8	3/8	56
DHSSBOW224	Bow Pull	Stainless Steel	8-13/16	10-1/4	1-1/8	3/8	81
DHSSBOW288	Bow Pull	Stainless Steel	11-5/16	13-1/4	1-1/8	3/8	100



Item	Type	Finish	Drill C/C	Overall Length	Projection	Base Width	MSRP
DHK001	Knob	Aluminum	N/A	5/8 dia.	13/16	5/16	51
DHK005	Knob	Aluminum	N/A	9/16 dia.	7/8	1/2	76
DHK006	Knob	Aluminum	N/A	1 5/16	11/16	3/8	61
DHK007	Knob	Aluminum	N/A	9/16 dia.	7/8	9/16	56
DHK008	Knob	Aluminum	N/A	1 dia.	1 1/16	3/8	109
DHK009	Knob	Aluminum	N/A	11/16 dia.	1	3/8	64



Item	Type	Finish	Drill C/C	Overall Length	Projection	Base Width	MSRP
DHP1-127	Bar Pull	Aluminum	5	7-3/8	1-3/8	1/2	80
DHP1-190	Bar Pull	Aluminum	7-1/2	9-13/16	1-3/8	1/2	97
DHP1-250	Bar Pull	Aluminum	9-13/16	12-3/16	1-3/8	1/2	137
DHP1-380	Bar Pull	Aluminum	14-15/16	17-5/16	1-3/8	1/2	176
DHP1-640	Bar Pull	Aluminum	25-3/16	27-9/16	1-3/8	1/2	254
DHP1-880	Bar Pull	Aluminum	34-5/8	37	1-3/8	1/2	336

Visit the Decorative Hardware section of our website to see color photos:  
<http://www.canyoncreek.com/styles-finishes/decorative-options/decorative-hardware/>

Photos may not accurately represent product. Please view a sample prior to placing an order.

# Accessories Decorative Hardware (Advantage Plus Series)

\* Please view samples or a display board prior to placing an order. Photos may not accurately represent product.

 <hr/> 34MM      MSRP DH9362-10VB-P      12 *Display Board 3	 <hr/> 34MM      MSRP DH9363-10WN-P      12 *Display Board 3	 <hr/> 34MM      MSRP DH9364-1055-P      12 *Display Board 3	 <hr/> 34MM      MSRP DH0919-126-P      12 *Display Board 3
 <hr/> 34MM      MSRP DH0920-1BPN-P      12 *Display Board 3	 <hr/> 34MM      MSRP DH0917-1RG-P      14 *Display Board 3	 <hr/> 34MM      MSRP DH0921-1ORB-P      12 *Display Board 3	 <hr/> 28.5MM      MSRP DH1775-110-P      12 *Display Board 2 Rubbed Bronze
 <hr/> 29MM      MSRP DH0923-1BBN-P      12 *Display Board 2	 <hr/> 29MM      MSRP DH0925-199-P      12 *Display Board 2 Brushed Nickel	 <hr/> 28.5MM      MSRP DH1773-126-P      12 *Display Board 2 Polished Chrome	 <hr/> 29MM      MSRP DH9338-10VB-P      10 *Display Board 1
 <hr/> 29MM      MSRP DH9339-10WN-P      12 *Display Board 1	 <hr/> 29MM      MSRP DH9340-1RGZ-P      12 *Display Board 1	 <hr/> 28.5MM      MSRP DH9351-10VB-P      12 *Display Board 2	 <hr/> 28.5MM      MSRP DH9352-10WN-P      12 *Display Board 2
 <hr/> 28.5MM      MSRP DH1777-1RGZ-P      14 *Display Board 2	 <hr/> 29MM      MSRP DH0913-1BPN-P      10 *Display Board 1	 <hr/> 29MM      MSRP DH0914-198-P      10 *Display Board 2 Black Nickel	 <hr/> 29MM      MSRP DH9429-1BPN-P      12 *Display Board 7
 <hr/> 29MM      MSRP DH9430-1026-P      12 *Display Board 7 Polished Chrome	 <hr/> 29MM      MSRP DH9431-1055-P      12 *Display Board 7 Black	 <hr/> 31MM      MSRP DH9432-4BPN-P      12 *Display Board 7	 <hr/> 31MM      MSRP DH9433-4026-P      12 *Display Board 7 Polished Chrome

# Accessories - Decorative Hardware (Advantage Plus Series)

\* Please view samples or a display board prior to placing an order. Photos may not accurately represent product.

 <p>Black</p> <p>31MM MSRP DH9434-4055-P 12 *Display Board 7</p>	 <p>29MM MSRP DH1759-1RGZ-P 14 *Display Board 1</p>	 <p>29MM MSRP DH1756-1BPN-P 12 *Display Board 1</p>	 <p>29MM MSRP DH9337-10WN-P 12 *Display Board 1</p>																								
 <p>29MM MSRP DH9336-10VB-P 12 *Display Board 1</p>	 <p>1-1/8" MSRP DH9374-10VB-P 19 *Display Board 5</p>	 <p>1-1/8" MSRP DH9375-1BPN-P 19 *Display Board 5</p>	 <p>1-1/8" MSRP DH9376-10WN-P 19 *Display Board 5</p>																								
 <p>1-1/8" MSRP DH9380-10VB-P 19 *Display Board 5</p>	 <p>1-1/8" MSRP DH9381-1BPN-P 19 *Display Board 5</p>	 <p>1-1/8" MSRP DH9382-10WN-P 19 *Display Board 5</p>	 <p>Matte Black</p> <p>1-5/16" MSRP DH0935-155-P 12 *Display Board 4</p>																								
 <p>1-5/16" MSRP DH0931-1BPN-P 12 *Display Board 4</p>	 <p>1-5/16" MSRP DH9366-10WN-P 12 *Display Board 4</p>	 <p>1-5/16" MSRP DH0934-1RG-P 14 *Display Board 4</p>	 <p>1-5/16" MSRP DH9365-10VB-P 12 *Display Board 4</p>																								
 <p>31MM MSRP DH0954-1BBN-P 20 *Display Board 4</p>	 <p>31MM MSRP DH0955-1BPN-P 19 *Display Board 4</p>	<table border="1"> <tbody> <tr> <td>BBN</td> <td>Brushed Black Nickel</td> <td>WN</td> <td>Weathered Nickel</td> </tr> <tr> <td>BPN</td> <td>Brushed Polished Nickel</td> <td colspan="2">* Indicated next to image:</td> </tr> <tr> <td>ORB</td> <td>Oil Rubbed Bronze</td> <td colspan="2">Black or Matte Black</td> </tr> <tr> <td>RG</td> <td>Rust Glaze</td> <td colspan="2">Black Nickel</td> </tr> <tr> <td>RGZ</td> <td>Black w/Rust Glaze</td> <td colspan="2">Polished Chrome</td> </tr> <tr> <td>VB</td> <td>Verona Bronze</td> <td colspan="2">Rubbed Bronze</td> </tr> </tbody> </table>		BBN	Brushed Black Nickel	WN	Weathered Nickel	BPN	Brushed Polished Nickel	* Indicated next to image:		ORB	Oil Rubbed Bronze	Black or Matte Black		RG	Rust Glaze	Black Nickel		RGZ	Black w/Rust Glaze	Polished Chrome		VB	Verona Bronze	Rubbed Bronze	
BBN	Brushed Black Nickel	WN	Weathered Nickel																								
BPN	Brushed Polished Nickel	* Indicated next to image:																									
ORB	Oil Rubbed Bronze	Black or Matte Black																									
RG	Rust Glaze	Black Nickel																									
RGZ	Black w/Rust Glaze	Polished Chrome																									
VB	Verona Bronze	Rubbed Bronze																									
 <p>31MM MSRP DH0956-1ORB-P 19 *Display Board 4</p>	 <p>31MM MSRP DH0957-1RG-P 20 *Display Board 4</p>	 <p>31MM MSRP DH9372-10VB-P 19 *Display Board 4</p>	 <p>2" T-Bar MSRP DH9435-2BPN-P 12 *Display Board 7</p>																								

# Accessories Decorative Hardware (Advantage Plus Series)

















\* Please view samples or a display board prior to placing an order. Photos may not accurately represent product.

 <p>1-7/16" MSRP DH9426-1BPN-P 12 *Display Board 6</p>	 <p>Polished Chrome 1-7/16" MSRP DH9427-1026-P 12 *Display Board 6</p>	 <p>Black 1-7/16" MSRP DH9428-1055-P 12 *Display Board 6</p>	 <p>2-3/8" x 1-13/16" MSRP DH9389-10WN-P 22 *Display Board 5</p>																								
 <p>2-3/8" x 1-13/16" MSRP DH9390-10VB-P 22 *Display Board 5</p>	 <p>2-3/8" x 1-13/16" MSRP DH9391-1BPN-P 22 *Display Board 5</p>	<table border="1"> <tbody> <tr> <td>BBN</td> <td>Brushed Black Nickel</td> <td>WN</td> <td>Weathered Nickel</td> </tr> <tr> <td>BPN</td> <td>Brushed Polished Nickel</td> <td colspan="2">* Indicated next to image:</td> </tr> <tr> <td>ORB</td> <td>Oil Rubbed Bronze</td> <td colspan="2">Black or Matte Black</td> </tr> <tr> <td>RG</td> <td>Rust Glaze</td> <td colspan="2">Black Nickel</td> </tr> <tr> <td>RGZ</td> <td>Black w/Rust Glaze</td> <td colspan="2">Polished Chrome</td> </tr> <tr> <td>VB</td> <td>Verona Bronze</td> <td colspan="2">Rubbed Bronze</td> </tr> </tbody> </table>		BBN	Brushed Black Nickel	WN	Weathered Nickel	BPN	Brushed Polished Nickel	* Indicated next to image:		ORB	Oil Rubbed Bronze	Black or Matte Black		RG	Rust Glaze	Black Nickel		RGZ	Black w/Rust Glaze	Polished Chrome		VB	Verona Bronze	Rubbed Bronze	
BBN	Brushed Black Nickel	WN	Weathered Nickel																								
BPN	Brushed Polished Nickel	* Indicated next to image:																									
ORB	Oil Rubbed Bronze	Black or Matte Black																									
RG	Rust Glaze	Black Nickel																									
RGZ	Black w/Rust Glaze	Polished Chrome																									
VB	Verona Bronze	Rubbed Bronze																									
 <p>Polished Chrome 3" MSRP DH0971-126-P 10 *Display Board 2</p>	 <p>Black Nickel 3" MSRP DH0972-198-P 10 *Display Board 2</p>	 <p>3" MSRP DH0973-1BPN-P 10 *Display Board 2</p>	 <p>Rubbed Bronze 3" MSRP DH1733-110-P 10 *Display Board 2</p>																								
 <p>3" MSRP DH1735-1RGZ-P 12 *Display Board 2</p>	 <p>3" MSRP DH9355-10VB-P 10 *Display Board 2</p>	 <p>3" MSRP DH9356-10WN-P 10 *Display Board 2</p>	 <p>96MM MSRP DH9383-10VB-P 19 *Display Board 5</p>																								
 <p>96MM MSRP DH9384-1BPN-P 19 *Display Board 5</p>	 <p>96MM MSRP DH9385-10WN-P 19 *Display Board 5</p>	 <p>96MM MSRP DH9392-10VB-P 22 *Display Board 5</p>	 <p>96MM MSRP DH9393-1BPN-P 22 *Display Board 5</p>																								
 <p>96MM MSRP DH9394-10WN-P 22 *Display Board 5</p>	 <p>3" MSRP DH0922-1BBN-P 14 *Display Board 2</p>	 <p>Brushed Nickel 3" MSRP DH0924-199-P 12 *Display Board 2</p>	 <p>Polished Chrome 3" MSRP DH1767-126-P 12 *Display Board 2</p>																								















# Accessories - Decorative Hardware (Advantage Plus Series)

\* Please view samples or a display board prior to placing an order. Photos may not accurately represent product.

 <p>Rubbed Bronze</p> <p>3" MSRP DH1769-110-P 12 *Display Board 2</p>	 <p>3" MSRP DH1771-1RGZ-P 14 *Display Board 2</p>	 <p>3" MSRP DH9353-10VB-P 12 *Display Board 2</p>	 <p>3" MSRP DH9354-10WN-P 12 *Display Board 2</p>
 <p>3" MSRP DH1786-1BPN-P 12 *Display Board 1</p>	 <p>3" MSRP DH1789-1RGZ-P 14 *Display Board 1</p>	 <p>3" MSRP DH9342-10VB-P 12 *Display Board 1</p>	 <p>3" MSRP DH9343-10WN-P 12 *Display Board 1</p>
 <p>3" MSRP DH1738-1BPN-P 12 *Display Board 1</p>	 <p>3" MSRP DH1741-1RGZ-P 14 *Display Board 1</p>	 <p>3" MSRP DH9344-10VB-P 12 *Display Board 1</p>	 <p>3" MSRP DH9345-10WN-P 12 *Display Board 1</p>
 <p>3" MSRP DH1744-1BPN-P 12 *Display Board 1</p>	 <p>3" MSRP DH1747-1RGZ-P 14 *Display Board 1</p>	 <p>3" MSRP DH9346-10VB-P 12 *Display Board 1</p>	 <p>3" MSRP DH9350-10WN-P 12 *Display Board 1</p>
 <p>Polished Chrome</p> <p>96MM MSRP DH0991-126-P 12 *Display Board 3</p>	 <p>96MM MSRP DH0992-1BPN-P 12 *Display Board 3</p>	 <p>96MM MSRP DH0993-10RBL-P 12 *Display Board 3</p>	 <p>96MM MSRP DH0994-1RG-P 14 *Display Board 3</p>
 <p>96MM MSRP DH9357-10VB-P 12 *Display Board 3</p>	 <p>96MM MSRP DH9358-10WN-P 12 *Display Board 3</p>	 <p>Matte Black</p> <p>96MM MSRP DH9359-1055-P 12 *Display Board 3</p>	

# Accessories Decorative Hardware (Advantage Plus Series)

\* Please view samples or a display board prior to placing an order. Photos may not accurately represent product.

 <p>3" MSRP DH9377-10VB-P 22 *Display Board 5</p>	 <p>3" MSRP DH9378-1BPN-P 22 *Display Board 5</p>	 <p>3" MSRP DH9379-10WN-P 22 *Display Board 5</p>	 <p>96MM MSRP DH9403-4BPN-P 15 *Display Board 5</p>
 <p>96MM MSRP DH9404-4026-P 15 *Display Board 5</p>	<p>Black</p>  <p>96MM MSRP DH9405-4055-P 15 *Display Board 5</p>	<p>Brushed Nickel</p>  <p>128MM MSRP DH9406-4BPN-P 22 *Display Board 5</p>	<p>Polished Chrome</p>  <p>128MM MSRP DH9407-4026-P 22 *Display Board 5</p>
<p>Black</p>  <p>128MM MSRP DH9408-4055-P 22 *Display Board 5</p>	 <p>96MM MSRP DH9395-1BPN-P 19 *Display Board 7</p>	<p>Polished Chrome</p>  <p>96MM MSRP DH9396-1026-P 19 *Display Board 7</p>	<p>Black</p>  <p>96MM MSRP DH9397-1055-P 19 *Display Board 7</p>
 <p>128MM MSRP DH9398-1BPN-P 22 *Display Board 7</p>	<p>Polished Chrome</p>  <p>128MM MSRP DH9399-1026-P 22 *Display Board 7</p>	<p>Black</p>  <p>128MM MSRP DH9400-1055-P 22 *Display Board 7</p>	 <p>96MM MSRP DH9409-1BPN-P 19 *Display Board 6</p>
<p>Polished Chrome</p>  <p>96MM MSRP DH9410-1026-P 19 *Display Board 6</p>	<p>Black</p>  <p>96MM MSRP DH9411-1055-P 19 *Display Board 6</p>	 <p>128MM MSRP DH9412-1BPN-P 22 *Display Board 6</p>	<p>Polished Chrome</p>  <p>128MM MSRP DH9413-1026-P 22 *Display Board 6</p>
<p>Black</p>  <p>128MM MSRP DH9414-1055-P 22 *Display Board 6</p>	 <p>96MM MSRP DH9415-1BPN-P 22 *Display Board 6</p>	<p>Polished Chrome</p>  <p>96MM MSRP DH9416-1026-P 22 *Display Board 6</p>	<p>Black</p>  <p>96MM MSRP DH9417-1055-P 22 *Display Board 6</p>

# Accessories - Decorative Hardware (Advantage Plus Series)




\* Please view samples or a display board prior to placing an order. Photos may not accurately represent product.

 <p>96MM MSRP DH9418-4BPN-P 12 *Display Board 7</p>	 <p>Polished Chrome 96MM MSRP DH9419-4026-P 12 *Display Board 7</p>	 <p>Black 96MM MSRP DH9420-4055-P 12 *Display Board 7</p>	 <p>128MM MSRP DH9423-4BPN-P 17 *Display Board 7</p>																								
 <p>Polished Chrome 128MM MSRP DH9424-4026-P 17 *Display Board 7</p>	 <p>Black 128MM MSRP DH9425-4055-P 17 *Display Board 7</p>	 <p>96MM MSRP DH9401-2BPN-P 19 *Display Board 7</p>	 <p>128MM MSRP DH9402-2BPN-P 22 *Display Board 7</p>																								
<table border="1"> <tbody> <tr> <td>BBN</td> <td>Brushed Black Nickel</td> <td>WN</td> <td>Weathered Nickel</td> </tr> <tr> <td>BPN</td> <td>Brushed Polished Nickel</td> <td colspan="2">* Indicated next to image:</td> </tr> <tr> <td>ORB</td> <td>Oil Rubbed Bronze</td> <td colspan="2">Black or Matte Black</td> </tr> <tr> <td>RG</td> <td>Rust Glaze</td> <td colspan="2">Black Nickel</td> </tr> <tr> <td>RGZ</td> <td>Black w/Rust Glaze</td> <td colspan="2">Polished Chrome</td> </tr> <tr> <td>VB</td> <td>Verona Bronze</td> <td colspan="2">Rubbed Bronze</td> </tr> </tbody> </table>		BBN	Brushed Black Nickel	WN	Weathered Nickel	BPN	Brushed Polished Nickel	* Indicated next to image:		ORB	Oil Rubbed Bronze	Black or Matte Black		RG	Rust Glaze	Black Nickel		RGZ	Black w/Rust Glaze	Polished Chrome		VB	Verona Bronze	Rubbed Bronze		 <p>3" MSRP DH0944-1BBN-P 17 *Display Board 4</p>	 <p>3" MSRP DH0945-1BPN-P 19 *Display Board 4</p>
BBN	Brushed Black Nickel	WN	Weathered Nickel																								
BPN	Brushed Polished Nickel	* Indicated next to image:																									
ORB	Oil Rubbed Bronze	Black or Matte Black																									
RG	Rust Glaze	Black Nickel																									
RGZ	Black w/Rust Glaze	Polished Chrome																									
VB	Verona Bronze	Rubbed Bronze																									
 <p>3" MSRP DH0946-1ORB-P 15 *Display Board 4</p>	 <p>3" MSRP DH0947-1RG-P 17 *Display Board 4</p>	 <p>3" MSRP DH9373-10VB-P 15 *Display Board 4</p>	 <p>3" MSRP DH9367-10VB-P 19 *Display Board 4</p>																								
 <p>3" MSRP DH9368-1BPN-P 19 *Display Board 4</p>	 <p>3" MSRP DH9369-10WN-P 19 *Display Board 4</p>	 <p>Black 3" MSRP DH9370-1055-P 19 *Display Board 4</p>	 <p>3" MSRP DH9371-1RGZ-P 20 *Display Board 4</p>																								
 <p>3" MSRP DH9387-1BPN-P 19 *Display Board 5</p>	 <p>3" MSRP DH9388-10WN-P 19 *Display Board 5</p>	 <p>3" MSRP DH9386-10VB-P 19 *Display Board 5</p>																									



# Accessories Decorative Hardware (Advantage Plus Series)

\* Please view samples or a display board prior to placing an order. Photos may not accurately represent product.

 <p>Polished Chrome</p> <table border="1"> <tr> <td>64MM</td> <td>MSRP</td> </tr> <tr> <td>DH0961-126-P</td> <td>12</td> </tr> </table> <p>*Display Board 3</p>	64MM	MSRP	DH0961-126-P	12	 <table border="1"> <tr> <td>64MM</td> <td>MSRP</td> </tr> <tr> <td>DH0963-1BPN-P</td> <td>12</td> </tr> </table> <p>*Display Board 3</p>	64MM	MSRP	DH0963-1BPN-P	12	 <table border="1"> <tr> <td>64MM</td> <td>MSRP</td> </tr> <tr> <td>DH0964-1ORB-L-P</td> <td>12</td> </tr> </table> <p>*Display Board 3</p>	64MM	MSRP	DH0964-1ORB-L-P	12	 <table border="1"> <tr> <td>64MM</td> <td>MSRP</td> </tr> <tr> <td>DH0966-1RG-P</td> <td>14</td> </tr> </table> <p>*Display Board 3</p>	64MM	MSRP	DH0966-1RG-P	14
64MM	MSRP																		
DH0961-126-P	12																		
64MM	MSRP																		
DH0963-1BPN-P	12																		
64MM	MSRP																		
DH0964-1ORB-L-P	12																		
64MM	MSRP																		
DH0966-1RG-P	14																		
 <p>Matte Black</p> <table border="1"> <tr> <td>64MM</td> <td>MSRP</td> </tr> <tr> <td>DH0967-155-P</td> <td>12</td> </tr> </table> <p>*Display Board 3</p>	64MM	MSRP	DH0967-155-P	12	 <table border="1"> <tr> <td>64MM</td> <td>MSRP</td> </tr> <tr> <td>DH9360-10VB-P</td> <td>12</td> </tr> </table> <p>*Display Board 3</p>	64MM	MSRP	DH9360-10VB-P	12	 <table border="1"> <tr> <td>64MM</td> <td>MSRP</td> </tr> <tr> <td>DH9361-10WN-P</td> <td>12</td> </tr> </table> <p>*Display Board 3</p>	64MM	MSRP	DH9361-10WN-P	12					
64MM	MSRP																		
DH0967-155-P	12																		
64MM	MSRP																		
DH9360-10VB-P	12																		
64MM	MSRP																		
DH9361-10WN-P	12																		

BBN	Brushed Black Nickel	WN	Weathered Nickel
BPN	Brushed Polished Nickel	* Indicated next to image:	
ORB	Oil Rubbed Bronze	Black or Matte Black	
RG	Rust Glaze	Black Nickel	
RGZ	Black w/Rust Glaze	Polished Chrome	
VB	Verona Bronze	Rubbed Bronze	

Visit the Decorative Hardware section of our website to see color photos:  
<http://www.canyoncreek.com/styles-finishes/decorative-options/decorative-hardware/>

# Accessories

>> This page intentionally blank <<

# Modifications - General Information

Modifications allow freedom and flexibility when designing and help simplify the ordering process. We encourage the use of standard products with modifications, as they are automatically configured by our computer system. If an item is needed that cannot be accomplished by using standard cabinets, accessories and modifications, it is necessary to submit a Special Product Request (**SPR**). Guidelines for using our Special Product Request program may be found on the reverse side of the **SPR** form. (Forms section)

## Modifications Available

- Cabinets and Accessories: width, height and depth
- Cabinet: box, frame, exterior and interior
- Door modifications
- Drawer: front, box and guide
- Modification limits and or exceptions (if applicable) are listed on the individual cabinet and accessories specification pages
- Pricing varies per modification, please read pricing notes carefully

## Always Reduce

- For a non-standard size, select the next standard size larger and reduce
- If a larger, standard sized cabinet is not available, then increase the largest standard size to the desired size (Extrapolation required)

### HOW TO REDUCE

Cabinet +	"-"	Reduce W,	Reduce H,	Reduce D
W3036	-	RW29,	RH34,	RD9

- For a Wall cabinet 29" W x 34" H x 9" D

### HOW TO INCREASE

Cabinet +	"-"	Increase W,	Increase H,	Increase D
BT15L	-	IW18,	IH40,	ID27

- For a Base Tray cabinet 18" W x 40" H x 27" D (Extrapolation required)

## Extrapolation

- When increasing width or height of a cabinet, standard MSRP must be extrapolated to adjust incrementally to new size, before adding a size modification charge
- Use single extrapolation formula when increasing one dimension
- Use double extrapolation formula when increasing both width and height
- **Note:** All modification charges and/or percentage up-charges are added to new extrapolated MSRP

### SINGLE EXTRAPOLATION

Cabinet +	"-"	Increase W
BT15L	-	IW18

(Base price ÷ W) x IW = Extrapolated price + size mod charge = Total  
 (\$672 ÷ 15) x 18 = \$806 + \$254 = \$1060

### DOUBLE EXTRAPOLATION

Cabinet +	"-"	Increase W	Increase H
BT15L	-	IW18	IH40

- First extrapolate width, then figure height from extrapolated width price
  1. (Base price ÷ W) x IW = Extrapolated W price
  2. (Extpltd W ÷ H) x IH = Extrapolated IW, IH price + size mod charge = Total  
 (\$672 ÷ 15) x 18 = \$806, (\$806 ÷ 34-1/2) x 40 = \$934 + \$254 = \$1188

## Identifying Door & Drawer Locations

- All door, drawer front and drawer guide modifications may be assigned specific locations on a cabinet
- Using graphics at right, add a number after nomenclature to designate
- Always number from top to bottom, then left to right
- Doors are counted separately from drawer fronts
- No designation = mod is applied to all applicable doors, fronts or drawers

### Clarifications

- Double-Entry (\_DE) – Left to right on front, then left to right on back
- Wall Corner Angle Double-Entry (WCADE) – Single angled door, then back door
- Wall Peninsula (WPEN) – Angled single door, then double doors left to right
- Wardrobe Storage (WS) – Openings count as doors
- Vanity File Drawer (VFD) – One drawer and one door

### Examples

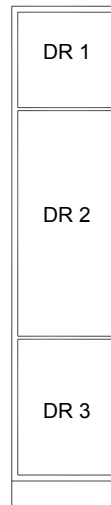
A: WSFOT1889x21 - RFG 1 (Only the top door will be RFG)

B: W4SDR3660 - MGD 2 & 4 (Lower doors will be MGD)

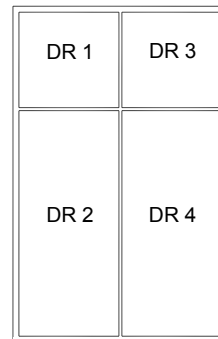
C: W3618 - RFG (All doors will be RFG)

D: B3D36 - 2DF1, DFMD 2 & 3 HWDWR 2 & 3, UMFEF-IM 2 & 3

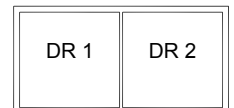
(Top drawer front becomes two fronts, mid and lower drawer fronts become DFMD and drawers upgrade to hardwood dovetail with UMFEF-IM guides)



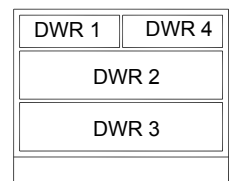
A



B



C



D

- 20-20 Designers: Identify upper and lower doors with 'U' or 'L' following glass option (Example: RFG-U = upper doors | RFG-L = lower doors)

We reserve the right to change design, specifications, materials and pricing without prior notice

# Modifications - Width & Height

## Cabinet Width & Height Modifications

### General guidelines:

- When modifying a cabinet size, always reduce when possible
- Width and height modifications are made in 1/4" increments
- Apply reduction mods to next largest cabinet with same configuration
- Always apply width and or height size mods before any other modification that affects width or height of cabinet box or frame (see examples below)
- Height modifications are applied to door area on upper and lower cabinets with door or door/drawer configuration
- Size limits vary and depend on cabinet configuration
- Refer to individual cabinet specifications for size limits and any exceptions to general guidelines
- Size mod charge is per box (not per modification)

### Extrapolation:

- When increasing width and/or height of a cabinet, apply mod to largest available standard cabinet with same configuration
- Use single or double extrapolation formula to figure new MSRP, then add size mod charge (see pg M-1)

### Exceptions:

- Width modifications are not available for corner cabinets
- Increase Height (IH) not available on Tall cabinets

### Reduce Height Modifications:

- Drawer bank reduction begins with second drawer down until it is same height as top drawer, then third drawer down is reduced using same criteria. This continues downward until desired height is achieved, or min. height is reached.
- Tall cabinet reductions start with upper section until it becomes 12" H, then second section down until desired height is achieved, or min. height is reached
- Base or vanity cabinets will not receive an adjustable shelf when door height has been reduced to 15" or less
- Inset cabinets with Finial Ball Hinge have minimum height of 15"

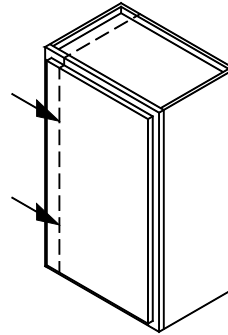
### Increase Height Modifications:

- Drawer banks are increased beginning with bottom drawer until opening height becomes 12-3/4" for B3D and 10" for B4D, then second drawer from bottom is increased using same criteria. This continues upward until desired height is achieved, or max. height is reached. Top drawer height does not change.

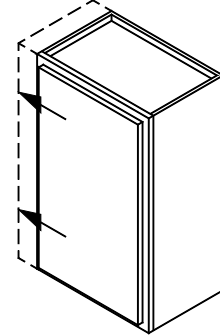
### PRICING NOTE

Size Mods     \$254 MSRP (per box)

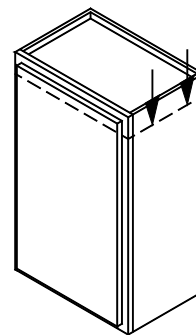
One charge applied for one or more:  
RH, RW, RD, IH, IW, ID



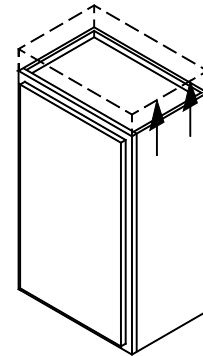
Reduce Width (RW)



Increase Width (IW)



Reduce Height (RH)

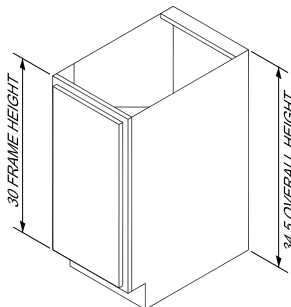


Increase Height (IH)

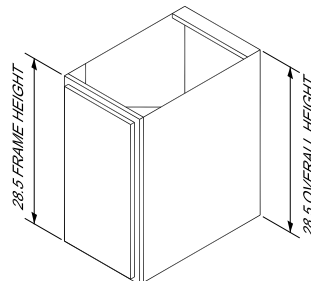
### COMBINING HEIGHT MODS

Cabinet	"-"	Reduce H,	Apply Mod
FB15	-	RH33,	NTK

- Overall height was reduced to 28-1/2" (see below)
- Other height mods: NTK, ATK, ERTOP\_, ERBOT\_ & HE\_



Before: FB15

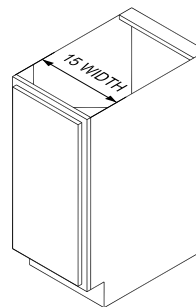


After: FB15, RH to 33, NTK

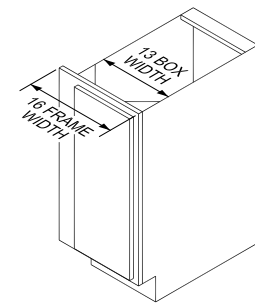
### COMBINING WIDTH MODS

Cabinet	"-"	Reduce W,	Apply Mod
FB15	-	RW13,	ESL3

- Overall frame width increased to 16" (see below)
- Other width mods: ES\_ and CC\_ (clipped corner)



Before: FB15



After: FB15, RW to 13, ESL3

# Modifications - Depth & Accessory

## Cabinet Depth Modifications

### General guidelines:

- When modifying a cabinet size, always reduce when possible
- Depth modifications are made in 1" increments (no fractions)
- Apply reduction mods to next largest cabinet with same configuration
- Size limits vary and depend on cabinet configuration
- Refer to individual cabinet specifications for applicable size limits and any exceptions to general guidelines
- Size mod charge is per box (not per modification)

### Exceptions:

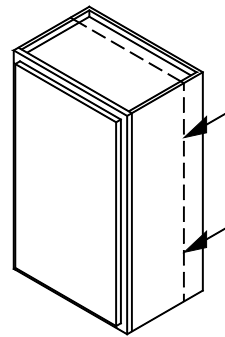
- Depth modifications are not available for corner cabinets

### Reduce Depth Modifications:

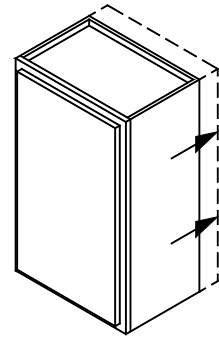
- 12" minimum depth for any cabinet with drawers
- Most vanities may use RDV18, Reduce Depth Vanity to 18", at no charge

### Increase Depth Modifications:

- Fixed and adjustable shelves are adjusted according to depth of cabinet
- When ID modification is deeper than 24"
  - Roll-out trays and drawers will be same depth as if in a 24" D cabinet
  - Cross-members may be added to cabinet to support drawer hardware
- Cabinet price is based on deepest size before the modification fee is applied
  - example 1: W3018 - ID 27" starts at a W3018x24, MSRP + Mod chg
  - example 2: W3018 - ID 15" starts at a W3018x24, MSRP + Mod chg
- Extrapolation not required



Reduce Depth (RD)



Increase Depth (ID)

### PRICING NOTE

Size Mods	\$254 MSRP (per box)
RDV18	\$0 (vanities only)
One charge applied for one or more: RH, RW, RD, IH, IW, ID	

## Accessory Size Modifications

- When modifying an accessory size, always reduce when possible
- Modification charge is applied to loose accessories only
  - Installed accessories are priced and configured to fit the specified cabinet configuration
- Refer to individual accessory specifications for size limits, pricing and any exceptions
- Size limits vary for each applicable accessory item
- Size mod charge is per item (not per modification)
- Extrapolation not required

### PRICING NOTE

Size Mods	\$127 MSRP (per item)
One charge applied for one or more: RHA, RWA, RDA, IHA, IWA, IDA	

### Reducing size (RWA, RHA or RDA)

- When ordering loose or installed accessories for a non-standard cabinet, select standard size and price of accessories that are large enough to fit the cabinet
- Loose Ex: TEP1.584, RHA80, RDA24 (For a U3686X24, RH80 cabinet)
  - Add modification charge
- Installed Ex: U3684X24, RW34, 1 ea. IRO36

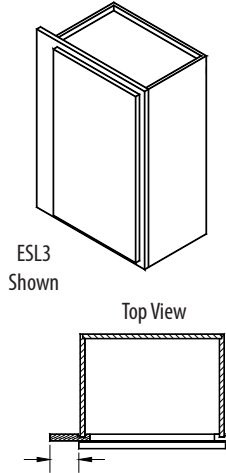
### Increasing size (IWA, IHA or IDA)

- Select largest standard size accessories available with same configuration and apply applicable modification
- When ordering loose or installed accessories for a non-standard cabinet, select largest standard size and price of accessories that fit the cabinet
- Loose Ex: BEP1.5, IDA30 (For a B24, ID30 cabinet)
  - Add modification charge
- Installed Ex: U3684X30, ID30, 1 ea. I14FE2784

# Modifications - Cabinet Frame

## Extended Stile (ES\_)

- Extend side stile(s) outward by increasing stile width
- Frame size increases, door and box size **do not** increase
- Door clearance depends on type of overlay
- **To order:** specify R or L side and extension amount in 1/4" increments up to 3"
- When combined with a width mod (RW or IW) the width mod is applied first, then extended stile mod
  - Ex: W3030, RW28, ESL3  
Box = 28"W and Frame = 31"W
- **Not available:** MC or MCFTK

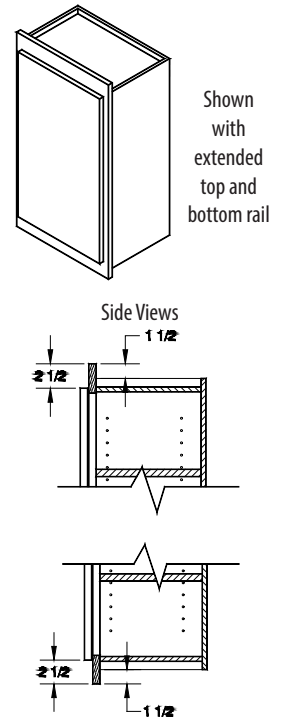


- Door clearance by overlay:
- **Traditional:** New stile W - 1/2" = clearance
  - **Modified:** New stile W - 1-1/2" = clearance
  - **Inset:** = New stile W

Extend size from .25" up to 3"	MSRP	Examples:		Door Clearance		
		ES size	Stile W	Trad	Mod	Inset
ES_, L or R + size	119	.25	1-3/4"	1-1/4"	1/2"	1-3/4"
Price is per extension Percentage up-charges apply		.50	2"	1-1/2"	3/4"	2"

## Extend Rail, Top or Bottom (ER\_)

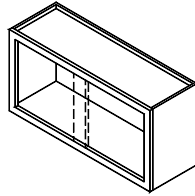
- Extend top or bottom rail and side stiles up to 1-1/2" beyond normal height
- Frame size increases, door and box size **do not** change
- By increasing top or bottom rail size from 1-1/2" to 3", and stile length by 1-1/2", the clearance between door and frame increases to 2-1/2"
- **To order:** specify top or bottom rail and extension in 1/4" increments up to 1-1/2"
- When combined with a height mod (RH or IH) the height mod is applied first, then extended rail mod
  - Ex: W2730, RH29, ERTOP1.5  
Box = 29"H and Frame = 30-1/2"H
- **Not available:** MC, MCFTK, Apothecary, end shelves or FTK mod



Extend size from .25" up to 1.5"	MSRP
ERBOT_ + size	212
ERTOP_ + size	212
Price is per extension Percentage up-charges apply	

## No Center Mullion (NCM\_)

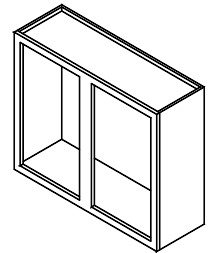
- Remove fixed center mullion on Modified Overlay cabinets wider than 36" without adjustable shelves
- Door size increases to "butt style"
- Ex: W4218, NCM (Modified Overlay style only)



	MSRP	
NCM	42	Cabinets w/only one door section
NCM-U	42	Upper section only
NCM-L	42	Lower section only
Price is per center mullion removed   Percentage up-charges apply		

## Add Center Mullion (CM\_)

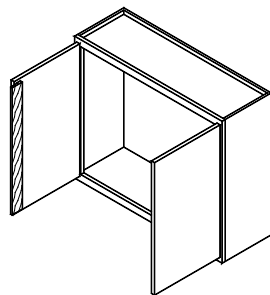
- Add fixed 3" center mullion to cabinet in place of standard floating mullion, or when no center mullion exists
- Available on 18DD – 36" cabinets
- Does not affect door size
- Refer to page M-1 for explanation of designating Upper & Lower sections
- Ex: WBC3642-CM



	MSRP	
CM	42	Cabinets w/only one door section
CM-U	42	Upper section only
CM-L	42	Lower section only
Price is per center mullion added   Percentage up-charges apply		

## Traditional Overlay

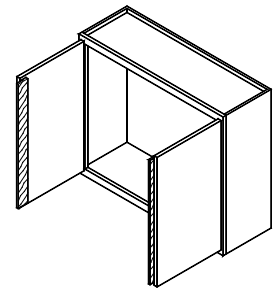
- Line item mod changes Traditional Overlay cabinets with butt doors back to an "old style" Traditional Overlay
- Floating mullion attached to left door
- Ex: W2730-FCMT



	MSRP	
CMT	0	Install 3" fixed center mullion on face frame
FCMT	153	Install 4" floating center mullion
SCMT	305	Install 2-7/16" (floating) split center mullion
Price is per cabinet   Percentage up-charges apply		

## Split Center Mullion (SCM)

- Change standard fixed center mullion to split center mullion
- Split mullions attach to backs of both doors
- Gap between mullions is approx. 1/8" when properly adjusted
- **Note:** no warranty against sagging shelves if adjustable shelves are added



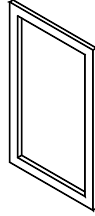
	MSRP
SCM	305
Price is per split mullion Percentage up-charges apply	

AVAILABLE CABINETS (OVER 36" W)	
FBS2DR	FVS2DR
FVMS2DR	FGS2DR
W2DR w/out adjustable shelf	

# Modifications - Cabinet Frame

## Face Frame Only (FF\_)

- Frame configuration matches frame on cabinet specified
- For cabinet configurations with a Toekick, frame is 4-1/2" shorter than cabinet height
  - When FTK (Flush Toekick) mod is applied frame is same height as cabinet
- Frame comes standard with a dado on back of stiles. If solid stiles are preferred specify -ND after nomenclature.
- Ex: W2430L, FF-ND

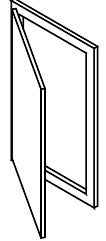


	Deduct
FF	50%
FF-ND	50%

Deduct % from cabinet price

## Face Frame & Door Only (FF&D\_)

- Door & frame configuration matches cabinet specified
- For cabinet configurations with a Toekick, frame is 4-1/2" shorter than cabinet height
  - When FTK (Flush Toekick) mod is applied frame is same height as cabinet
- Frame comes standard with a dado on back of stiles. If solid stiles are preferred specify -ND after nomenclature.
- Ex: W2430L, FF&D-ND



	Deduct
FF&D	25%
FF&D-ND	25%

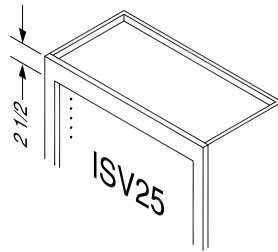
Deduct % from cabinet price

## Installed Valances

- Replace standard 1-1/2" top rail with Straight, Arch or Country valance
- Limited to cabinets w/out doors or center mullions
- Available on cabinets 15-48" W
- Min. cabinet H: 18" unless noted
- Valances have eased edge at bottom edge unless noted

### Price Note:

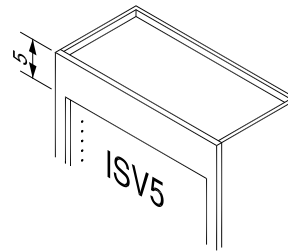
- Price is per cabinet
- Percentage up-charges apply



### Installed Straight Valance 2.5"

- 2.5" H straight valance
- Ex: WBC3042, ISV25

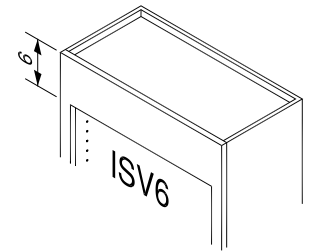
	MSRP
ISV25	190



### Installed Straight Valance 5"

- 5" H straight valance
- Ex: WBC3042, ISV5

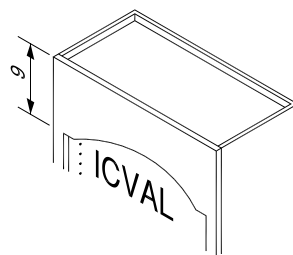
	MSRP
ISV5	237



### Installed Straight Valance 6"

- 6" tall straight valance
- Ex: WBC3042, ISV6

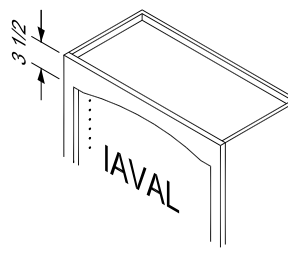
	MSRP
ISV6	246



### Installed Country Arch Valance

- 9" H at sides, 6" H in center
- Radius of arc depends on length of valance
- Min. cabinet H: 21"
- Ex: WBC3042, ICVAL

	MSRP
ICVAL	353



### Installed Arch Valance

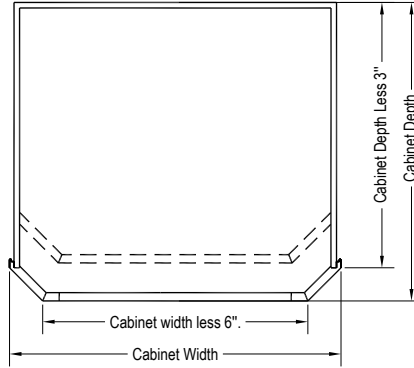
- 3-1/2" H at sides, 2-1/4" H in center
- Radius of arc depends on length of valance
- Min. cabinet H: 15"
- Ex: WBC3042, IAVAL

	MSRP
IAVAL	271

# Modifications - Cabinet Frame and Box Exterior

## Clipped Corner (CC\_)

- Replace front square corners of face frame with 3" by 3" 45° Clipped Corners (CC) (Solid or Fluted design)
- Front frame and door configuration become 3" narrower when one side is clipped, and 6" narrower when both sides are clipped
- Roll-outs will be Shelfmount when CC is ordered
- Available on Wall, Base and Vanity cabinets within modification sizes listed with the cabinets
- Overall cabinet width may not exceed 48"



CLIP BOTH CORNERS

Ex: B36-CCLR

Base 36" Clipped Corner Left and Right  
Note: Min. width for cabinets w/two clipped corners is 6" more than standard min. width listed

## Fluted Clipped Corners

- When Fluted CC are selected, flutes will match height of door and or drawer front combination
- Min. H for a cabinet with Fluted CC:  
18" w/out Toekick | 22-1/2" w/Toekick

## Cabinets w/Toekicks

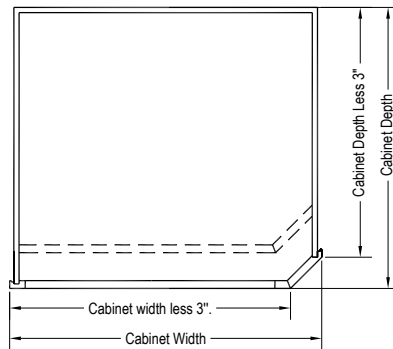
- Toekick will be square when RTKL or R is ordered with CC
- When FTK is ordered, RTK is not available on same side as CC

## Cabinet Depth

- Cabinet depth does not change
- Use ID modification to increase cabinet depth
- Ex: B18R-CCR ID27 (Base 18" W, CC right, ID to 27")

## Design Note

- See Accessories section for plant-on fillers, rosettes, and appliques that may be field-applied to clipped corner face



CLIP ONE CORNER

Ex: B36-CCR

Base 36" Clipped Corner Right  
Note: Min. width for cabinets w/one clipped corner is 3" more than standard min. width listed

## Available Cabinet Types

- **Wall:** W1DR, W2DR,
- **Base:** B, BCT, BS, BST, BRO, B3D, B4D (Also in Mid sizes)
- **Full Base:** FB, FBS, FBRO (Also in Mid sizes)
- **Vanity:** V, VM, VG, VS, VMS, VGS, V3D, VM3D, VG3D, VM4D, VG4D
- **Full Vanity:** FV, FVM, FVG, FVS, FVMS, FVGS

### MSRP

CCLR	509	Clip Corner Left & Right
CCFLR	678	Clip Corner Fluted Left & Right

Price is per cabinet | Percentage up-charges apply

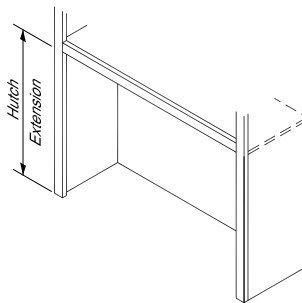
### MSRP

CCL	339	Clip Corner Left
CCR	339	Clip Corner Right
CCFL	424	Clipped Corner Fluted Left
CCFR	424	Clipped Corner Fluted Right

Price is per cabinet | Percentage up-charges apply

## Hutch Extension (HE\_)

- Extends cabinet side stiles, ends and back downward to create hutch-like feature
- Extended ends are not drilled for shelves
- Available only on Wall cabinets with finished interiors
  - FMI must be added, when ordering on a Wall cabinet with a non-finished interior
- Extension available in 1" increments
- Callout dimension indicates extension amount of hutch
- Max. frame height after modification: 60"
- Apply any other frame height mod before the Hutch Extension (see example)
- **Not available:** ERBOT modification
- **Not available:** WHC, WDE, WSC, WOCH, LO, WAE, WPEN, WEC or MUC type cabinets



- Ex: WL03042-6, RH to 39", ERTOP1.5, HE18
- (39" + 1-1/2" + 18" = 58-1/2" overall frame H)

	MSRP	Extension
HE12	346	12"
HE13	375	13"
HE14	404	14"
HE15	432	15"
HE16	461	16"
HE17	490	17"
HE18	519	18"
HE19	548	19"
HE20	577	20"
HE21	605	21"
HE22	634	22"
HE23	663	23"
HE24	692	24"

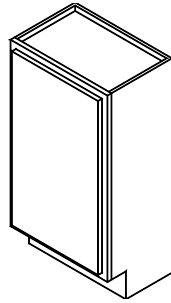
Price is per cabinet  
Percentage up-charges apply



# Modifications - Cabinet Box Exterior - Toekicks

## Wall Toekick (WTK)

- Add 4-1/2" H by 3-1/2" D Toekick (recessed front) to bottom of a Wall cabinet
- Increases height by 4-1/2"
- Apply any other height mod (RH or IH) before Toekick is added
- Ex: W3030, RH28, WTK
- Overall height:  $28'' + 4\text{-}1/2'' = 32\text{-}1/2''$

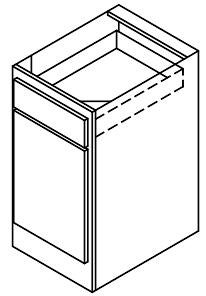


	MSRP
WTK	187

Price is per cabinet

## Flush Toekick (FTK\_)

- Bottom rail on frame increases from 1-1/2" to 6" H
- Side stiles extend to floor and Toekick notch is eliminated, creating a flush Toekick
- **Note:** FTKB available for back of Base Double-Entry (BDE\_) cabinets only
- Ex: B42, FTK or BDE30, FTKB

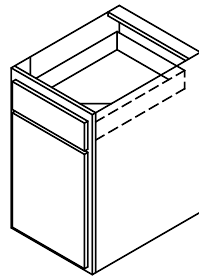


	MSRP
FTK	161
FTKB	161

Price is per cabinet

## No Toekick (NTK)

- Remove standard Toekick, reducing overall height by 4-1/2"
- Apply any other height mod (RH or IH) before Toekick is removed
- Ex: B30, IH42, NTK
- Overall height:  $42'' - 4\text{-}1/2'' = 37\text{-}1/2''$
- **Not available** with Wall cabinets

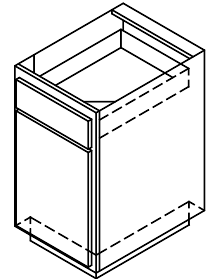


	MSRP
NTK	42

Price is per cabinet

## Recessed Toekick (RTK\_)

- Add recessed Toekick to Right or Left side of cabinet (in addition to front)
- Specify RTKR and RTKL to recess Toekick on both sides
- Ex: B18R, RTKR, RTKL



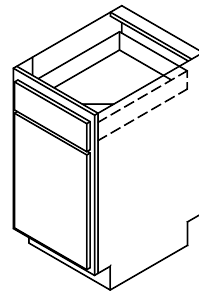
	MSRP	
RTKL	187	Recess Left
RTKR	187	Recess Right

Price is per cabinet

RTKR Shown

## Island Toekick (ITK)

- Add recessed Toekick to back of cabinet (in addition to front)
- ITK may be combined with RTKR and/or RTKL modifications
- Ex: B18R, ITK, RTKR

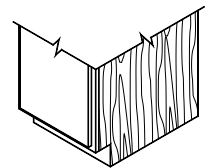


	MSRP
ITK	187

Price is per cabinet

## Attach Toekick (ATK)

- Make Toekick an integral part of any cabinet over 90" H (which come standard with loose Toekick)
- If Installed Finished Ends are ordered, Toekick area will be finished
- Ex: U3696X24, ATK



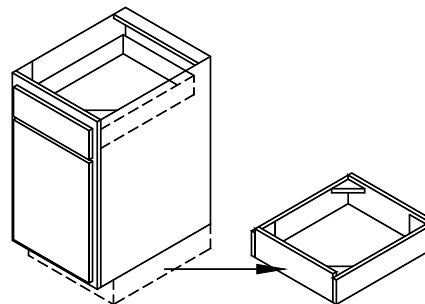
	MSRP
ATK	59

Price is per cabinet

Cabinet over 90" H shown with Installed Finished End

## Loose Toekick (LTK)

- Remove Toekick from cabinet and ship loose
- When Installed Finished Ends are ordered, Toekick portion will not be finished
- When combined with a height mod (RH or IH) the height mod is applied first, then Toekick is removed
- Ex: B30 IH42, LTK
- Overall height:  $42'' - 4\text{-}1/2'' = 37\text{-}1/2''$
- **Not available** with FTK or WTK modifications or on Wall cabinets



Assembled as shown

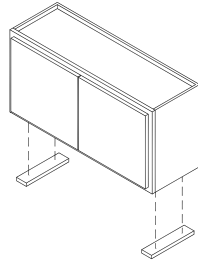
	MSRP
LTK	59

Price is per cabinet

# Modifications - Cabinet Box Exterior

## Hood Blocks (HB)

- Install 3/4" x 2-1/2" solid wood blocking under cabinet to support a hood fan unit
- Neither blocking nor cabinet are intended to fully support microwave/hood unit
- Use mounting instructions provided with microwave
- Ex: W3621, HB

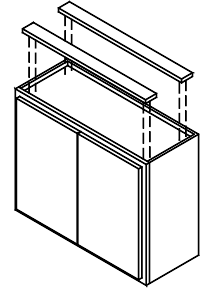


	MSRP
HB	42

Price is per cabinet

## Peninsula Blocks (PNB)

- Install 3/4" x 2-1/2" solid wood blocking on top of a wall cabinet to fill void and provide strength when fastening cabinet to ceiling support
- Ex: W3630, PNB

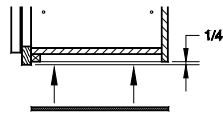


	MSRP
PNB	59

Price is per cabinet

## Prep for Under Wall Panel (PUWP)

- Reduce height of cabinet ends and back by 1/4" to allow for field installation of 1/4" Under Wall Panel (order separately)
- **Not available** with Installed Finished Ends
- Under Wall Panel not available installed
- Ex: W3624, PUWP

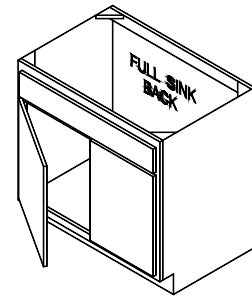


	MSRP
PUWP	85

Price is per cabinet

## Full Sink Back (FSB)

- Install full 1/2" thick back on sink cabinet in place of standard partial back
- Ex: BS36, FSB

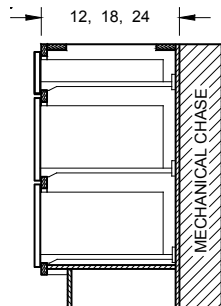


	MSRP
FSB	85

Price is per cabinet

## Mechanical Chase (MC\_)

- Install full-height false back 12", 18" or 24" from cabinet face on Base, Mid and Vanities
- Reduces depth of drawers and drawer hardware
- False back is not removable
- May be combined with depth mods
- **Not available** with Toekick mods
- **Not available:** corner cabinets, VS\_D cabinets, cabinets w/EBB, wine rack cabinets and cabinets w/BIB
- Ex: B3D24, MC18



Back of false back: 18" from cabinet face  
**Note:** Cabinet Depth - MC Depth - 1/2" = Clear Space

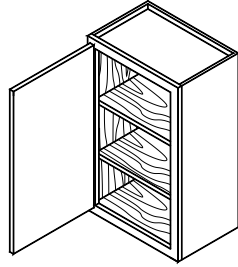
	MSRP
MC12	254
MC18	254
MC24	254

Price is per cabinet

# Modifications - Cabinet Box Interior

## Finished Interior (FMI\_)

- Finished interior to match frame species and color
- Clear Veneer is provided when FMI is applied to Rustic species
- Finished interiors for Laminate styles match pull/frame species and color
- Ex: W1836L, FMI

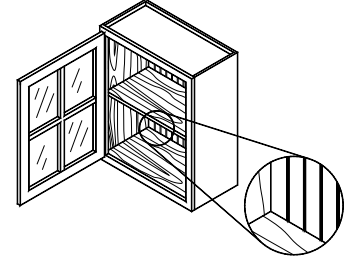


	MSRP	
FMI	466	Wall, Base, Vanity
FMIT	763	Tall

Price is per cabinet | Percentage up-charges apply

## FMI with Beaded Back (-BIB)

- Finished interior and beaded interior back of same species and color as frame
- When ordered for Laminate styles, back and other interior surfaces will match pull/frame species and color
- Clear Veneer used for Rustic species
- **Not available:** Black Walnut & Sapele
- Ex: W2430L, MGD, FMI-BIB

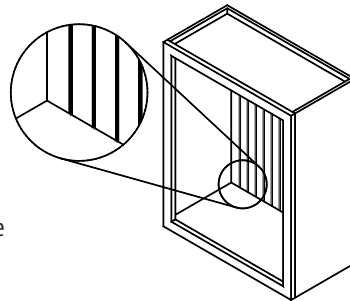


	MSRP	
FMI-BIB	678	Wall, Base, Vanity
FMIT-BIB	1187	Tall

Price is per cabinet | Percentage up-charges apply

## Beaded Interior Back (BIB\_)

- Install wood beaded back of same species and stain color as frame
- Rest of cabinet interior (shelves, sides, top and bottom) matches interior selection
- Beaded backs for Laminate styles will match pull/frame species and color
- Clear Veneer used for Rustic species
- **Not available:** Black Walnut & Sapele
- Ex: WBC2430, BIB

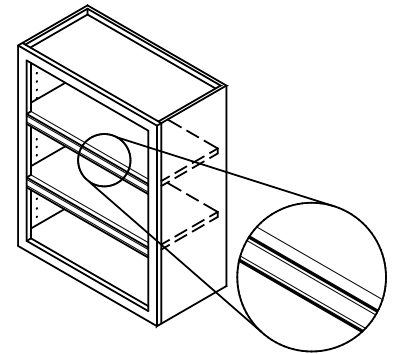


	MSRP	
BIB	424	Wall, Base, Vanity
BIBT	721	Tall

Price is per cabinet | Percentage up-charges apply

## Self-Edge, Double Beaded (SEDB)

- Install double beaded self-edge instead of regular self-edge on adjustable shelves
- Bookcase or Hutch cabinets only
- Ex: WBC2430,SEDB



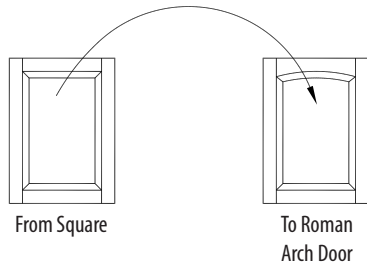
	MSRP
SEDB	136

Price is per cabinet  
Percentage up-charges apply

# Modifications - Doors

## Replace Square Doors w/Arch (ARCH\_)

- **ARCHL:** Use for Base, Mid and Vanity cabinets and bottom doors on Tall or Wall Stack Door cabinets
- Ex: VS36, ARCHL



From Square

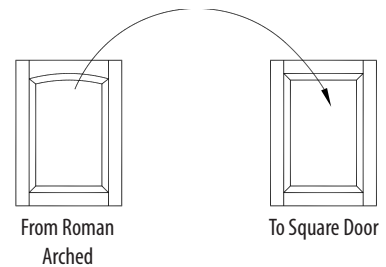
To Roman Arch Door

	MSRP
ARCHL	127
ARCHM	127

Price is per door

## Square Upper Arched Lower (SUAL)

- Change upper doors on Wall Stacked Door cabinets to Square and lower doors to Arch
- Available on Wall Stacked Door cabinets only
- Ex: WCAS2460-36L, SUAL



From Roman Arched

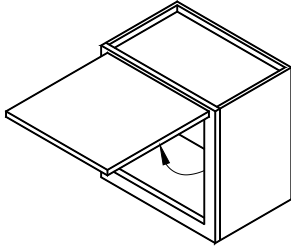
To Square Door

	MSRP
SUAL	127

Price is per door

## Hinge Door on Top (HINGETOP)

- Modify existing doors to be hinged on top, swinging from top rail of cabinet
- Available for all doors on Wall cabinets, or on upper door section of Tall cabinets
- All styles use concealed hinges
- Max. door height: 18"
- Ex: W2118L, HINGETOP

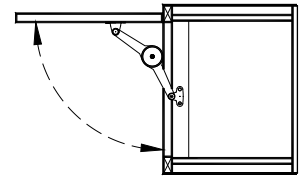


	MSRP
HINGETOP	102

Price is per door

## Hinge Door on Top w/Lidstay (HINGETOP-LS\_)

- Hinge door on top; install one lidstay on left (L) or right (R) side of opening
- Door locks in position when fully open
- Adjustable brake controls lid closure
- Available for all doors on Wall cabinets, or upper door section of Tall cabinets
- On some door style/size combinations, factory may install lidstays on both sides of door at no additional charge
- Door opens to 90° with 1/4" clearance between face of door and top of cabinet (not including decorative hardware)
- Max. door height: 18"
- Ex: W2118R, HINGETOP-LSR
- **Not available:** Inset or Beaded Inset

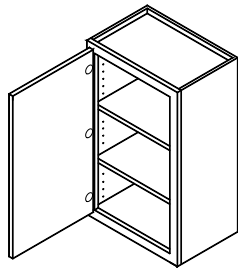


	MSRP
HINGETOP-LS_ (L or R)	348

Price is per door

## Third Hinge (3HINGE)

- Install a third hinge on Wall cabinets 30" to 36" H
- Ex: W1836L, 3HINGE

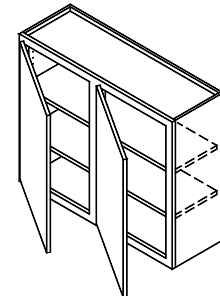


	MSRP
3HINGE	25

Price per door

## Hinge Door on Fixed Center Mullion (HINGE\_)

- Hinge one door off of fixed center mullion and other door off outside stile
- Available on cabinets wider than 36" with double doors and a fixed center mullion



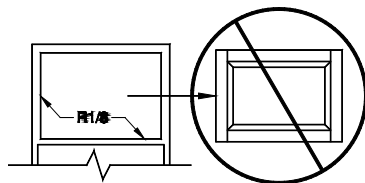
Left Left shown

	MSRP	
HINGELL	85	Both doors hinge left
HINGERR	85	Both doors hinge right

Price is per cabinet

## No Door (NODR)

- Remove ALL or Specific door(s)
- Inside of frame has eased edge
- Does not change cabinet interior (Order FMI as needed)
- Ex: W3030, NODR = All drs
- Ex: P2496x21L, NODR 1 = Dr 1 only



	MSRP
NODR	0

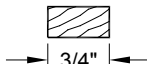
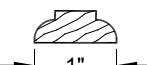
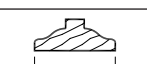



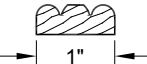
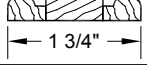
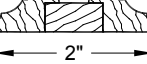

Apply to ALL or Specific Drs (see pg M-1)

# Modifications - Prep for Glass Options

## General Information

- Glass and stop are not provided
- Thermofoil "prepped" doors are one-piece construction
- Refer to individual door pages for availability by style
- Mullion grids vary in size according to door style
- Mullion grid profiles in chart below

- **Note:** Applied Moulding doors will have considerably smaller openings than other door styles
- Refer to pg M-1 for instructions about identifying the doors you want a glass option applied to

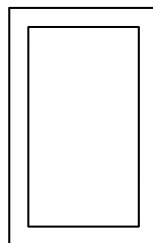
Grid Profile	Mullion Grid Door Styles (MGD, MGDH, MGDN, MGDQ & VT)			
	Catalina Duet/Solid	Normandy/Solid Quattro/Solid	Shaker/Solid/Center Shaker Traditional	Trio/Solid Valley Forge/Solid
	Aberdeen Athens/Roman Brentwood/Solid/Roman	Cape Cod Solid Emerson Legend/Arch	Monterey Shalimar/Roman	Stratford/Roman Windsor/Roman
	Canterbury Carlsbad/Solid	Cortina/Solid Garrison	Fairfax Falmouth/Solid	Kingston Solid Ridgecrest
	Equinox/Solid	Lynden/Solid		
	Belmont/Solid			
	Charleston	Chatham/Solid		
	Concord/Solid Coventry	Hampton Houston/Solid	Newport	Norwood/Solid
	Monticello/Solid			
	Gettysburg/Solid	Springwood		
	Mount Vernon			

## Rout for Glass (RFG)

- Replace standard door(s) with Rout for Glass door(s)
- Center door styles have vertical center mullion on doors 13-3/16" and wider and are prepped for two pieces of glass

	MSRP
RFG	127

Price per door



RFG	Width		Height		<sup>(1)</sup> Center Rail added when height is:
	Min.	Max.	Min.	Max.	
2-1/4" M&T, Mitered, Thermofoil	10"	24"	10"	68"	>52"
3" & 4" M&T & Mitered	10"	24"	16"	68"	
Applied Moulding	10"	24"	10"	68"	

<sup>(1)</sup> No Center Rail added on Mitered doors

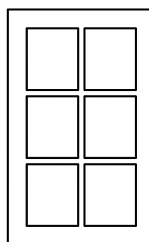
## Mullion Grid (MGD)

- Replace standard door(s) with Mullion Grid door(s)
- Number of grids depends on door height (see chart)

	MSRP	
MGD	373	
MGD	466	Mitered

Price per door

Door Height	# of Grids
16" – 27"	4
>27" – 38"	6
>38" – 60"	8
>60" – 68"	12



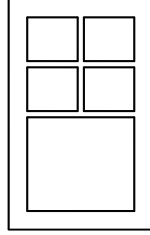
MGD	Width		Height		<sup>(1)</sup> Center Rail added when height is:
	Min.	Max.	Min.	Max.	
2-1/4" M&T, Mitered, Thermofoil	10"	24"	16"	68"	>52"
3" & 4" M&T & Mitered	11-1/2"	24"	16"	68"	
Applied Moulding	14-1/2"	24"	16"	68"	

<sup>(1)</sup> No Center Rail added on Mitered doors

# Modifications - Prep for Glass Options

## Mullion Grid Half Lite (MGDH)

- Replace standard door(s) with Mullion Grid door Half Lite
- Height of grid area is same as open area



MGDH	Width		Height		<sup>(1)</sup> Center Rail added when height is:
	Min.	Max.	Min.	Max.	
2-1/4" M&T, Mitered, Thermofoil	10"	24"	28"	52"	N/A
3" M&T & Mitered	11-1/2"	24"	28"	52"	
Applied Moulding	14-1/2"	24"	28"	N/A	

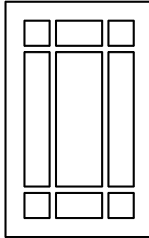
<sup>(1)</sup> No Center Rail added on Mitered doors

	MSRP	
MGDH	424	
MGDH	551	Mitered

Price per door

## Mullion Grid Nine Lite (MGDN)

- Replace standard door(s) with Mullion Grid door Nine Lite
- Opening between door frame and grid member is 3"



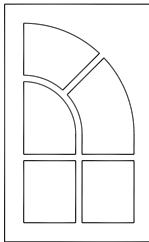
MGDN	Width		Height		Center Rail added when height is:
	Min.	Max.	Min.	Max.	
2-1/4" M&T, Mitered, Thermofoil	15"	24"	16"	52"	N/A
3" M&T & Mitered	16-1/2"	24"	19"	52"	
Applied Moulding	N/A				

	MSRP	
MGDN	424	
MGDN	551	Mitered

Price per door

## Mullion Grid Quarter Round (MGDQ)

- Replace standard door(s) with Mullion Grid door Quarter Round
- Available in Thermofoil styles only
- Door height must be a min. of 1-1/3 times taller than width
- Grid design may vary according to door height



Right swing door shown

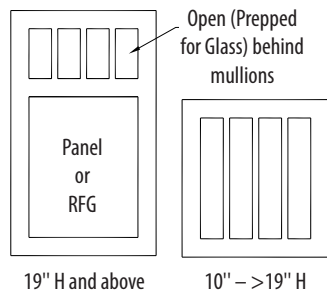
Min/Max Sizes	
Door Width	Door Height
14-1/2" – 24"	19-1/4" – 42"

	MSRP
MGDQ	424

Price per door

## Vertical Mullion Top (VT\_)

- VT - Vertical Mullion Top w/Door Panel Lower
- VTR - Vertical Mullion Top w/RFG Lower
- Upper openings: 6" H and equal width
- Mullions: 3/4" wide
- Refer to chart for quantity of mullions by door width
- Available with Shaker or Shaker Solid styles only



Door Width	# of Top Openings	# of Mullions
7" - <10"	1	0
10" - <13"	2	1
13" - <16"	3	2
16" - <20"	4	3
20" - 24"	5	4

VT & VTR	Width		Height		Center Rail added when height is:
	Min.	Max.	Min.	Max.	
Shaker/Shaker Solid	7"	24"	10" <sup>(1)</sup>	68"	>60-1/4

	MSRP
VT	424
VTR	551

Price per door

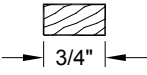
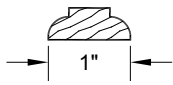
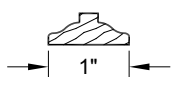
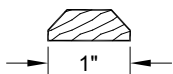
### Calculating insert sizes for VT and VTR doors:

- Lower insert H: Doors less than 19" H: Same as M&T styles  
19" - 60" H: Door H - 11-5/8"  
60" H & above: Door H - 12-7/8" ÷ 2 (two inserts)
- Upper insert height will always be 6-15/16"
- Width calculations are same as M&T styles

# Modifications - Prep for Glass Options

## C & X Mullion Grid Doors

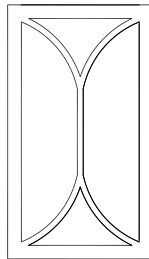
• Available in M&T door styles only

Grid Profile	Door Styles			
	Catalina Duet/Solid	Normandy/Solid Quattro/Solid	Shaker/Solid Shaker Traditional	Valley Forge/Solid
	Aberdeen Athens Brentwood/Solid	Cape Cod Solid Emerson Legend	Monterey Shalimar	Stratford Windsor
	Canterbury	Carlsbad/Solid	Cortina/Solid	Ridgecrest
	Equinox/Solid	Lynden/Solid		

## Mullion Grid C Pattern (MGDC)

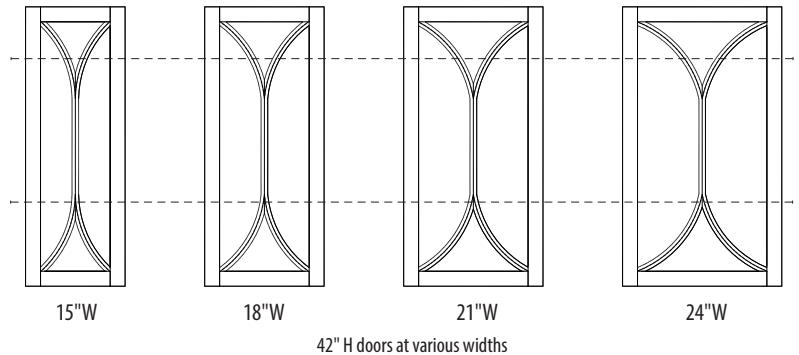
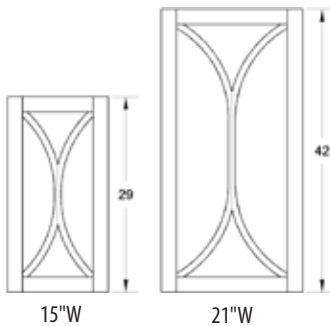
• Replace standard door(s) with Mullion Grid "C" Pattern door(s)

MSRP  
MGDC 721  
Price per door



MGDC	Width		Height	
	Min.	Max.	Min.	Max.
2-1/4" M&T	11-1/2"	21"	29"	42"
3" M&T	13"	21"	30-1/2"	42"
4" M&T	15"	21"	32-1/2"	42"

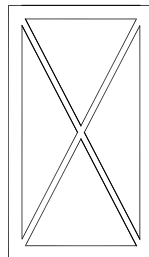
**Note:** Curved mullion intersections vary depending on door width and height



## Mullion Grid X Pattern (MGDX)

• Replace standard door(s) with Mullion Grid "X" Pattern door(s)

MSRP  
MGDX 636  
Price per door



MGDX	Width		Height	
	Min.	Max.	Min.	Max.
2-1/4" M&T	11-1/2"	21"	29"	42"
3" M&T	13"	21"	30-1/2"	42"
4" M&T	15"	21"	32-1/2"	42"



# Modifications - Acrylic Panels

## General Information

- Panels incorporate materials that may wick moisture from edge of sheet
- When installing in a moist environment, edges should be sealed with silicone or plastic tape
- Panels are approximately 1/8" thick
- Available loose or installed in cabinet doors
- Loose panels may be cut to size, or purchased in full sheets
- Additional styles and textures available through Special Product Request (SPR) program

## Loose Acrylic Panels

- Max. size: 48" W by 96" H
- Exceptions:  
Rain Emboss #15 | 35-1/2" W by 96" H
- To order loose panels, specify:  
DR-INSERT + Model name + size W x H

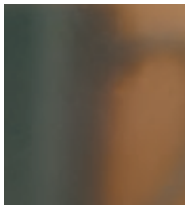
## Installed Acrylic Inserts

- Installed price does not include prep for glass options
- Installed inserts are limited to one style per cabinet
- Max. door W: 24" | Max. door H: 52"  
(unless otherwise specified)
- To order installed:  
CABINET + Rout for glass option + Installed Model name  
(Ex: W3030, RFG-A01 or W4836, MGDN-A17)

Panel Description	Face Texture	LOOSE		INSTALLED	
		Loose Model DR-INSERT	Loose MSRP (sq. in.)	Installed Model	Installed MSRP (per door)
Matte #01	Matte	ACRYL01	1.09	A01	628
Gloss #02	Gloss	ACRYL02	1.09	A02	628
Rain Emboss #15	Gloss	ACRYL15	1.30	A15	694
Mirage Platinum #22	Satin	ACRYL22	1.30	A22	694
Vena #23	Gloss	ACRYL23	1.30	A23	694
Copper Spun #24	Gloss	ACRYL24	1.66	A24	850
Gold Spun #25	Gloss	ACRYL25	1.66	A25	850
Silver Spun #26	Gloss	ACRYL26	1.66	A26	850
Quarry Milan #27	Gloss	ACRYL27	1.66	A27	850

DOOR INSERT CALCULATIONS	SUBTRACT FROM DOOR FOR INSERT SIZE	
	Width	Height
2-1/4" M&T and App Mldg	3.5625	3.5625
2-1/4" Mitered	3.5625	3.5625
3" M & T (Valley Forge)	5.0625	5.0625
3" Mitered	5.0625	5.0625
Duet	3.5625	7.0625
Garrison/Kingston	3.5625	6.0625
Glacier Bay - RTF	3.625	3.625
Lancaster - RTF	4.125	4.125
Quattro	7.0625	7.0625
Tuscany - RTF	3.6875	3.6875
Winterset - RTF	4.5625	4.5625

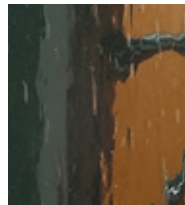
Note: Insert size is .0625" less than rout (width and height)



ACRYL01 | Matte



ACRYL02 | Gloss



ACRYL15 | Rain Emboss



ACRYL22 | Mirage Platinum



ACRYL23 | Vena



ACRYL24 | Copper Spun



ACRYL25 | Gold Spun



ACRYL26 | Silver Spun

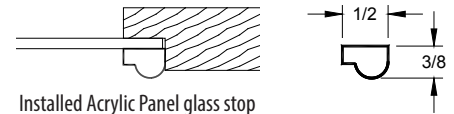


ACRYL27 | Quarry Milan

Photos may not accurately represent actual product –  
Please view a sample prior to placing an order

## Glass Stop (AM-C)

- Available in random lengths only - determine amount required, then add for waste and cutting
- Available in Maple, Cherry, Alder, Hickory, Beech and Red Oak
- Installed Acrylic Panel glass stop matches door species and color



Installed Acrylic Panel glass stop

	MSRP	
AM-C	8	per lineal foot

## Care and cleaning

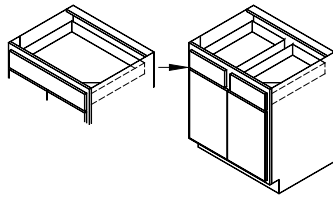
- Use weak solution of warm water and mild detergent
- Never scrub surface - gently wipe with soft sponge, cloth or chamois
- Do not use: squeegee, scraper or synthetic rags as they may scratch the surface
- Surface contaminants may be removed using an acrylic cleaner, such as Novus
- Do not clean with: glass cleaning products, acetone, gasoline, benzene, lacquer thinner, chlorinated solvents, gritty abrasive scouring compounds or alkaline cleaners



# Modifications - Drawer Front, Box & Guide

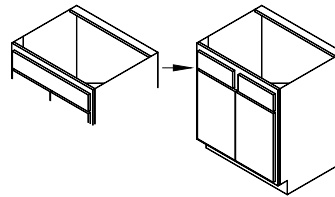
## Replace Single Drawer Front w/Double

- Change one horizontal top drawer, false front or flip-down front to two
- 24" - 36" W Base cabinets: Reveal between drawer fronts is different than butt doors below
- Available on two-door cabinets with a single drawer (or front) above the doors, and on top drawer of 24" - 36" wide drawer stacks
- Ex: B36-2DF1, BST36-2TO



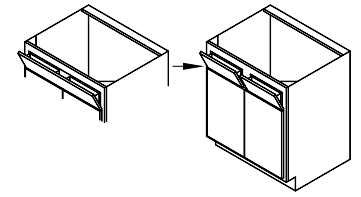
2DF1	MSRP
	195

Price is per cabinet



2FF	MSRP
	76

Price is per cabinet

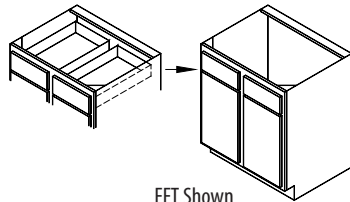


2TO	MSRP
	85

Price is per cabinet  
2TO not available on cabinets less than 32" W

## Replace Drawers w/False Fronts (FFT\_)

- Change top drawer(s) to false front(s)
- May not be combined w/I/O modification
- Ex: B42-FFT



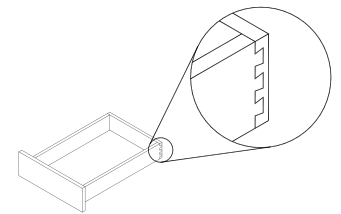
FFT Shown

	MSRP	
FFT	0	Change all top drawers to false fronts
FFTL	0	Change left top drawer to false front
FFTR	0	Change right top drawer to false front

Price is per false front

## Hardwood Dovetail Drawers (HWDWR)

- Drawer bottoms are 1/4" thick plywood, fully captured by 5/8" thick solid hardwood front, back and sides
- All components have clear finish regardless of interior type
- Roll-outs come standard with HWDWR; modification not needed
- Ex: B2D24, HWDWR (all drawers are modified)



### Availability:

- Global option (for all drawer boxes on an order)
- Line item modification (all drawer boxes on a specific cabinet)
- Location item modification (specific drawer box on cabinet)

HWDWR	MSRP
	102

Price is per drawer box

# Modifications - Custom Oven Cutouts

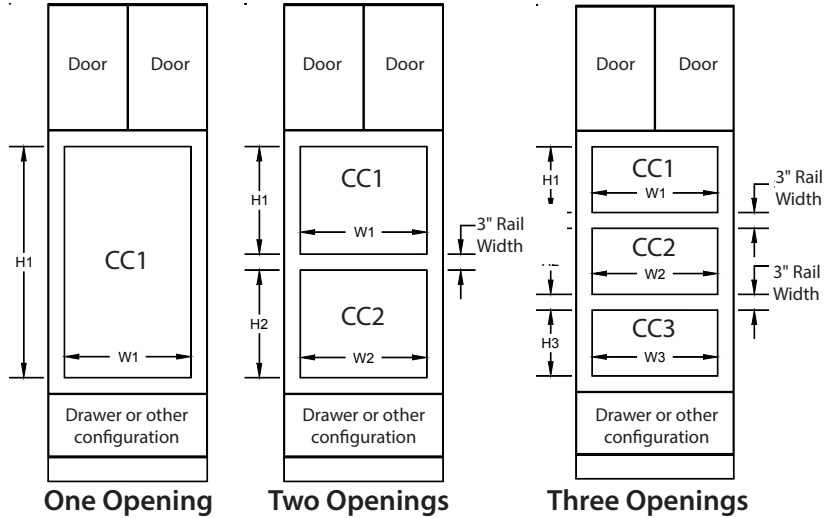
## Custom Oven Cutout Information

- Customer is responsible for interpreting appliance manufacturer specifications and listing all required dimensions
- Cutouts are centered vertically and horizontally
- Oven support shelves with cleats are installed flush with bottom of each cutout
- Custom cutouts must fall within the min and max dimensions
- Minimum cutout width: 9" less than cabinet width
- Maximum cutout width: 3" less than cabinet width
- Minimum and maximum cutout height is determined by model

- 3" rail is installed between each cutout
- Sum of all cutouts, including 3" rail in between cutouts, must not exceed maximum cutout height specified by model type
- Side stiles, top, and bottom rails: 1.4375" at max cutout size
- Complete and submit a Custom Cutout Form along with your order. Custom Cutout Forms available in CC Business
- A Special Products Request (SPR) must be submitted for cabinets or modifications that are not standard

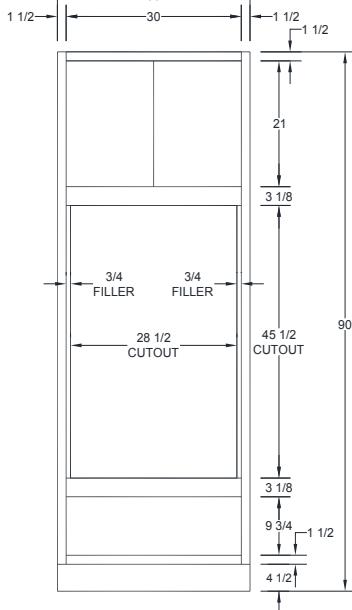
	MSRP
CC1	382
CC2	127
CC3	127

- **Single opening:** Use CC1 modification  
Specify opening width (W1) and height (H1)
- **Two openings:** Use both CC1 and CC2 modifications  
CC1 dimensions (W1 & H1) represent upper opening  
CC2 dimensions (W2 & H2) represent lower opening
- **Three openings:** Use CC1, CC2 and CC3 modifications  
CC1 dimensions (W1 & H1) represent upper opening  
CC2 dimensions (W2 & H2) represent middle opening  
CC3 dimensions (W3 & H3) represent lower opening

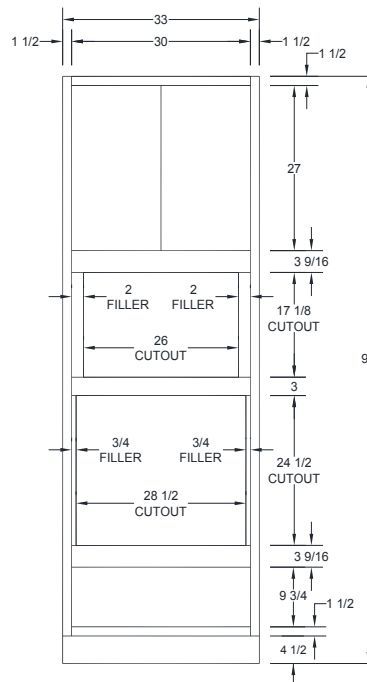


Cutout Width		Cutout Height	
Min.	Max.	Min.	Max.
9" less than cabinet width	3" less than cabinet width	See model type for custom cutout height limits	

Example: UOV3390-1D  
CC1: 28-1/2" W x 45-1/2" H



Example: UOV3396-1D  
CC1: 26" W x 17-1/8" H  
CC2: 28-1/2" W x 24-1/2" H



## Where Can I Get the Latest Form?

To ensure that you have the most up-to-date version of each form,  
please download form PDFs from:  
CC Business ([www.canyoncreek.com/business](http://www.canyoncreek.com/business))

or contact Customer Service at:  
[customerservice@canyoncreek.com](mailto:customerservice@canyoncreek.com)  
800-228-1830 x299

# Forms

<< Page intentionally blank >>

# Ordering Procedures and Guidelines

## Placing an Order

- Orders must be placed by fax (1-800-787-0131) or email to [orders@canyoncreek.com](mailto:orders@canyoncreek.com).
- It is best to use either a **Canyon Creek Order Form**, or a **20-20 generated materials list** with an attached Canyon Creek Order Form (with completed header information) and a cabinet layout.
- Orders must have complete information to be processed. Missing header information (such as door style, color or Gloss Level), unapproved Special Product Requests (SPRs) and missing swings are common examples of information lacking that will delay an order.
- Full orders received before 10:00 am Pacific Standard Time will be processed that day, if complete. If received after 10:00 am PST, we will consider the order received the next business day.
- **Manufacturing lead-time** is generally four to six weeks, but may be affected by SPR component lead times. Lead times are calculated from the date we are able to enter the complete order, (see above regarding complete orders) to the date it is ready for shipment. Allow additional time for weekends, holidays, plant shutdown days, and transit time. Refer to your Acknowledgement for the projected ship date.

## Special Product Requests (SPR)

- All requests must be submitted on our current SPR form, and follow the criteria listed on the SPR Guidelines.
- SPRs must be pre-approved (by Canyon Creek) and countersigned (by you), or they will hold up the entire order while the SPR is being processed. Refer to SPR Guidelines for detailed instructions.

## Acknowledgements

- An Order Acknowledgement will be faxed or emailed to you within two business days for standard orders, and one day for Order Corrections.
- If you have not received an Acknowledgement within two days, please call to confirm our receipt of your order or Order Correction.
- Review your Acknowledgement carefully. You must notify Canyon Creek Customer Service of any corrections using our Order Correction Form. **For standard lead-time orders, this must be done before noon on the second business day after your order is entered.**
  - **Corrections or cancellations are not allowed on orders with less than standard lead-time.**
- Your Acknowledgement is not an invoice. It is a confirmation of what was ordered, the order lead-time, and prices.

## Order Corrections or Cancellation

- Order Corrections or cancellation must be submitted on a Canyon Creek Order Correction Form.
- **Corrections or cancellations are not allowed on orders with less than standard lead-time.**
- If you received your Acknowledgement via email, you may submit corrections/cancellation by email.
- All corrections must be submitted before noon on the second business day after your order is entered. (Example: If the order was entered on Thursday evening, you have until noon on Monday to make any corrections or to cancel the order.)
- You will receive a revised Acknowledgement confirming that the corrections have been made.

## Warranty Orders

- All warranties must be submitted as an order, and approved by Canyon Creek's Customer Service department.
- Warranty orders must include the item to be replaced (including critical sizes or measurements), the original order number, the reason for warranty in detail, complete header information, and all other order details required on a standard order.

## Order Inquiries

- Call Customer Service at 1-800-228-1830 or email [customerservice@canyoncreek.com](mailto:customerservice@canyoncreek.com).
- Please have the Order# assigned by Canyon Creek and/or your PO # handy for reference.

# Understanding Your Acknowledgement

## CANYON CREEK Cabinet Company

ACKNOWLEDGEMENT

5 Sales Order #: 22002 - 00  
 6 P.O. #: 45-75982  
 7 Sidemark: JOB #25 SMITH  
 8 Order Date: 3/01/12  
 9 Date To Ship: 3/29/12  
 10 Carrier: YELLOW FREIGHT  
 11 Ship Via: LTL COMM CARR  
 12 Freight Terms: PPD/CHG CYCLE RATE  
 13 Rep: HOUSE ACCOUNT

1 Printed 3/02/12 11:20:25  
 2 Sold To: 002942  
 A B C KITCHEN DESIGN  
 16726 TYE ST SE  
 MONROE WA 98272

4 Page 1 of 1

3 Ship To: 002942  
 A B C KITCHEN DESIGN  
 C/O TERRY SMITH  
 12345 TAYLOR AVE  
 ANYTOWN WA 98XXX

FOR CUSTOMER SERVICE ASSISTANCE CALL 1-800-228-1830 (Ext. 299) or FAX 1-800-787-0131

Ln #	Qty	Part #	Part Description	MSRP Ea	Ext. Net
14	15	16	DELIVER TO GARAGE CABINET LAYOUT INCLUDED	18	19
1		GL	***** GLOBAL OPTIONS ***** CANYON CREEK   FRAMED CONSTRUCTION DOOR STYLE: BRENTWOOD   ROMAN   OVERLAY: MODIFIED EDGE DETAIL: G   DOOR SPECIES: MAPLE DOOR COLOR: CINNAMON   DWR FRT STYLE: DFMD DWR BOX: HARDWOOD DOVETAIL   DWR GUIDE: SEGU FRAME SPECIES: MAPLE   FRAME COLOR: CINNAMON CABINET BOX: PARTICLEBOARD CABINET INTERIOR: WOODGRAIN LAM   HINGE: CONCEALED POST-COLOR: LICORICE HIGHLIGHT GLOSS LEVEL: STANDARD   CABINETS ASSEMBLED CABINET PKG: CARTON		
2	1	W3036	W3036 2 DOOR DEPTH= 9	521.00	260.50
	1		NON STD DEPTH UPCHARGE	150.00	75.00
	1		SPECIE UPCHARGE	52.10	26.05
	1		HIGHLIGHT FINISH ENHANCEMENT	78.15	39.08
3	1	W2DR	WALL 2 DOOR WIDTH= 29   HEIGHT= 36	521.00	260.50
	1		NON STD WIDTH UPCHARGE	150.00	75.00
	1		SPECIE UPCHARGE	52.10	26.05
	1		HIGHLIGHT FINISH ENHANCEMENT	78.15	39.08
4	1	SPRBASE	SPR BASE CABINET LINE REFERENCE NUMBER= B87409	525.00	262.50
	1		SPECIE UPCHARGE	52.50	26.25
	1		HIGHLIGHT FINISH ENHANCEMENT	78.75	39.38

Product Classes:  
 2 WALL CABINET  
 1 BASE CABINETS

All orders are firm & non-cancellable. Please verify accuracy of entry.

Revisions that affect the ship date, carrier or shipping address must be requested at least four (4) business days prior to the promised date.

The estimated freight charge is listed here. If multiple orders are shipped together, the freight charges will be adjusted at time of invoicing.

All orders except will call are FOB Destination.

24 MSRP: 2258.75  
 25 Factor: 0.5000  
 26 Net Cost: 1129.39  
 27 Net Items: 0.00  
 28 Est. Frt.: 36.00  
 29 Other: 0.00  
 30 Tax: 0.00  
 31 Total: 1165.39  
 32 'N' is net pricing.

21 Route: Z01S  
 22 Est. Cubes: 78

# Understanding Your Acknowledgement

<p><b>1. Printed</b> Date and time Acknowledgement was printed.</p> <p><b>2. Sold To</b> Account number, name and address which will be billed for the order. This is the account that should be referenced for credit or payment purposes.</p> <p><b>3. Ship To</b> Account number, name and address for where order is being shipped. This may differ from "Sold To" account if customer has multiple "Ship To" locations. This account should be referenced when inquiring about a specific order.</p> <p><b>4. Page _of_</b> Page number and total number of pages of Acknowledgement.</p> <p><b>5. Sales Order #</b> Number assigned to an order by Canyon Creek. Used to track an order after it is entered.</p> <p><b>6. P.O. #</b> Reference number or name assigned by customer. Typically used for payment purposes.</p> <p><b>7. Sidemark</b> Job reference (number, name, etc. . .) assigned by customer when placing order.</p> <p><b>8. Order Date</b> Date order was first entered into our computer system. May not be date order was placed, or when order became "active" for lead-time purposes.</p> <p><b>9. Date To Ship</b> Date order is to be shipped, or will be available for will call at our dock.</p> <p><b>10. Carrier</b> Company to be used for shipping.</p> <p><b>11. Ship Via</b> Method that will be used to ship order.</p> <p><b>12. Freight Terms</b> Freight billing terms.</p> <p><b>13. Rep</b> Canyon Creek sales representative.</p>	<p><b>14. Ln#</b> Line number of item. Refer to Acknowledgement order number and line number when communicating with Canyon Creek.</p> <p><b>15. Qty</b> Quantity of part number ordered.</p> <p><b>16. Part #</b> Nomenclature Canyon Creek uses to enter information into our computer system. The nomenclature may be for:          (a) Global Options – Options that apply to all subsequent items, except when noted on a specific item, or when a new set of Global options are introduced.          (b) Standard Models – Standard pre-defined product with specific options.          (c) Generic Models – Standard product modified within size limits, but causing standard description to be inaccurate.          (d) SPR Models – Pre-approved Special Product not configured in our computer. Identified by type and reference number.</p> <p><b>17. Part Description</b> Used to convey or describe information such as:          (a) Top Notes - Notes or instructions specific to order. Will be located at top of "Part Description" area.          (b) Global Options - Describes options that apply to items that follow, unless a change is noted on a specific item, or a new set of Global options are introduced.          (c) Part Description - Specifications and options selected for an item. Approved SPR numbers will be found in this section for SPR models.          (d) Up-charges - Additional charges applied to base price of an item.          (e) Mid Notes - Notes that are specific to an item. (Not shown).</p> <p><b>18. MSRP Ea</b> MSRP price (per unit) for item, and up-charges associated with selected options and modifications.</p> <p><b>19. Ext. Net</b> Extended net amount (Qty x MSRP Ea x Factor).</p>	<p><b>20. Product Classes</b> The number of items in each product class. Sometimes used for freight calculation.</p> <p><b>21. Route</b> Used internally by Canyon Creek to group orders for shipment by day and route.</p> <p><b>22. Est. Cubes</b> Total estimated cubic feet of packaged product. Does not include miscellaneous items, or take into consideration loss of space that occurs when loading container.</p> <p><b>23. Important Order Information</b> Order guidelines and other information that apply. Please read and understand.</p> <p><b>24. MSRP</b> Total of Qty x MSRP. Does not include non-factorable "Net" items/options marked with "N" (see #32).</p> <p><b>25. Factor</b> On-factor (or multiplier) applied to factorable items on order.</p> <p><b>26. Net Cost</b> Total of Ext. Net items. Does not include non-factorable "Net" items/options marked with "N" (see #32).</p> <p><b>27. Net Items</b> Total of non-factorable "Net" items/options. (Typically priced "Net" due to a promotion.)</p> <p><b>28. Est. Freight</b> Estimate of net freight or shipping amounts charged by Canyon Creek; includes fuel charges.</p> <p><b>29. Other</b> Net adjustments or fees not classified as Freight.</p> <p><b>30. Tax</b> Sales tax (when applicable).</p> <p><b>31. Total</b> Order total excluding applicable taxes.</p> <p><b>32. "N" is net pricing</b> Identifies non-factorable lines that are priced "Net." Located to right of price in MSRP Ea column.</p>
--	---	---



# SPR Guidelines

SPRs may be submitted via fax (1-800-787-0131) or email (spr@canyoncreek.com).

Canyon Creek's Special Product Request (SPR) program is designed for situations that require products or services not found in our standard catalog. While the SPR program is generally employed to customize cabinets, it should also be utilized when specialty mouldings, hardware or accessories are needed.

To inquire about nonstandard door styles, wood species, or colors and finishes, the SPR process must be used. These products usually carry a higher cost due to the additional handling, design and set-up required at our facility. Therefore, all effort should be made to satisfy the customer's needs through the use of standard products, accessories and modifications before submitting a Special Product Request.

## **The following are guidelines for processing SPR requests:**

- All SPRs must be submitted, approved and countersigned prior to placing the order.
- SPR submittals must be on an official SPR form, one product per form.
- All modifications pertaining to the SPR must be requested on the SPR form. No modifications may be added separately or after the order is placed.
- Whether the SPR is approved, declined, or delayed; a response can be expected within two business days. A decision may be delayed if the SPR has components that must be purchased, or when further research or information is required.
- All quotes are priced MSRP (List). The price does not include percentage up-charges for wood species, finish enhancements, etc.
- SPR price quotes are valid for 60 days.

Minor changes may be requested after the SPR has been approved (prior to placing the order). To request a minor change, check the "changes requested" box, give a short description of the change, and add the appropriate information to the grid (drawing) area. Canyon Creek will review the change, adjust the price (if necessary) and return it for customer acceptance.

After reviewing the details and notes on the approved SPR, countersign and date it, and submit the SPR with the rest of the order for processing. Your signature confirms your understanding and acceptance of the price and details along with any changes made by Canyon Creek to the SPR.

Canyon Creek will hold orders with unapproved SPRs until they have been approved and accepted (signed) by the customer. At the customer's option, an unapproved SPR may be removed from the order and placed on a separate order after Canyon Creek approval and customer acceptance. The ship date for the SPR will be calculated based on the subsequent order date.

Once placed as an order, no changes or cancellations will be allowed.

Canyon Creek reserves the right to decline any request for special products. In this event we will attempt to offer an acceptable alternative to the request.



# Limited Lifetime Warranty

## Cornerstone & Millennia Cabinetry

Canyon Creek Cabinet Company warrants to the original purchaser that Canyon Creek cabinetry will be free from defects in material or workmanship that arise under normal use and service for as long as you own the cabinetry.

This limited warranty goes into effect from the date of shipment and does not cover freight damage, accident, acts of God, misuse, negligence, alteration, abuse, improper storage, installation or removal. Nor does it apply in the case of normal wear and tear. It does not cover features and conditions that are inherent in the wood species, the style, the finish, or finish attributes. This warranty does not apply to unfinished product. The warranty does not cover damage from exposure to extremes in temperature or humidity or the natural effects caused by aging of wood products and finishes due to the natural reaction of wood and finishes to UV light, the natural variation in grain or color of wood, or any visible cracking around joint areas. In addition, drawer guides and hinges on all cabinets have warranties provided by their respective manufacturers.

If a product is found to be defective under conditions of normal use and service within the limited lifetime warranty period, Canyon Creek Cabinet Company, at its sole discretion and following thorough reviews and inspections of the product, will either repair or replace the defective product. This is a parts warranty only and excludes labor for removal or replacement of defective parts. Due to the natural changes of wood products caused by aging and/or product specification changes, any replacement product may not be an exact match. Canyon Creek's liability under this warranty is expressly limited to replacement or repair of the product, and in no event shall Canyon Creek be liable in any way for consequential or incidental damages of any kind.

Canyon Creek shall not be liable for any damage or errors resulting from or related to the installation or use of its products. This warranty is offered only to the original purchaser of the cabinets at the original site of installation and is not transferable. This warranty applies only to cabinets or related products purchased through an authorized Canyon Creek dealer or contractor.

To file a warranty claim request, the original purchaser should contact the authorized Canyon Creek dealer or contractor where the product was purchased. Proof of original purchase is required. The authorized dealer or contractor will obtain the necessary information to complete a warranty request and forward the request in writing to Canyon Creek.

We reserve the right to make changes in materials and specifications for Canyon Creek cabinets without prior notification but we have no obligation to incorporate such changes in products that were previously manufactured.

This warranty is in lieu of all other warranties, express or implied, including warranties of merchantability and of fitness for a particular purpose, and we do not authorize any other person or company to assume on our behalf, any other liability in connection with the sale of our products.

No representative of Canyon Creek has the authority to change or enlarge this warranty.

This warranty is only valid in the United States and Canada. Katana frameless cabinetry and Canyon Creek's Closets Plus program are covered under separate warranties. The terms of this warranty may vary from state to state and province to province.

**CANYON CREEK**  
Cabinet Company

# Forms

<< Page intentionally blank >>

# Index

The Index is sorted alphabetically by description to help find items easier. The Index has columns for description, nomenclature, the Price & Spec Guide (P&SG) section and page number as well as the 20-20 section.

**Abbreviations used for the P&SG Sections are:**

- A . . . . . Accessories, loose or installed
- B . . . . . Base
- E . . . . . Entertainment
- Forms** . . Forms and ordering information
- G . . . . . General and Information Section
- HO . . . . . Home Office
- M. . . . . Modification
- W . . . . . Wall
- V . . . . . Vanity, Vanity Mid or Vanity Grand
- T . . . . . Tall, which includes Utility and Pantry

**Abbreviations used for the 20-20 Sections are:**

- AC. . . . . Accessory
- AT . . . . . Attachment or Modification (Also called "Add-On")
- B . . . . . Base
- BC. . . . . Base Corner or Vanity Corner
- E . . . . . Entertainment
- F . . . . . Fillers
- HO . . . . . Home Office
- MP . . . . . Mouldings and Pulls (Versions: D and E)
- S&P . . . . . Styles and Pricing
- T . . . . . Tall, which includes Utility and Pantry
- V . . . . . Vanity, Vanity Mid or Vanity Grand
- W . . . . . Wall
- WC . . . . . Wall Corner

Accessories will be in either the Accessories or Modification sections. If an item is an Accessory, it has the initial of AC. If an item is an Accessory that can be attached to a cabinet, it is noted as an Attachment with the initial of AT. Modifications are Attachments with the same initial of AT. Both the Accessory and Attachment areas are divided into numbered sections in the 20-20 catalog to make your search for items easier and quicker.

The 20-20 column will also give a reference to Styles and Pricing (S&P). Styles and Pricing is the area where the 20-20 user sets the "Global Header" options for the design.

Examples:

Description	Nomenclature	P&SG Section	20-20 Section
Base Shoe Moulding	BSHM	A-4	AC2

Base Shoe Moulding (BSHM96) is a lineal moulding found in the Accessories Section of the P&SG on page 4. In 20-20 it can be found in the Accessories #2 section.

Description	Nomenclature	P&SG Section	20-20 Section
Plywood Cabinet Box Up-Charge	PLYWOOD	G2	AC23 / AT9

The Plywood Box up-charge (PLYWOOD) can be found in the General Section of the P&SG. In 20-20 it can be found in the Accessory Section #23 and as an Attachment #9.

Description	Nomenclature	P&SG Section	20-20 Section
Shaker		G-6, G-19	S&P

Shaker door style can be found in the General Section of the P&SG. In 20-20 it can be found in Styles & Pricing.

# Index

Description	Nomenclature	Page Number	20-20 Section
1/4" Finished Panels	14FE, 14FP	A-20	AT, AC
24" D Wall: 12", 14", 15", 18" H	W_X24	W-14	W
24" D Wall: 20", 21", 24", 26", 27" H	W_X24	W-16	W
3/4" Finished Panels	34FP	A-27	AC
3/8" Finished Panels	38FE, 38FP	A-22	AT, AC
<b>A</b>			
Aberdeen		G-5, G-33	S&P
Acanthus Pattern Accessories		A-15	
Accessories		A-1	AC
Accessories Behind Doors (Cabinet Organization)		A-49 – A-51	AT, AC
Accessory Modifications		M-3	AC
Acknowledgements		Forms - See Ordering Procedures and Guidelines	
Acrylic Door Inserts		M-14	AT, AC
Active Door Ends	AD	A-36	AT
Add a Center Mullion	CM	M-4	AT
Adjustable Shelves (loose)	AS, BCAS, ASWCA, ASWCC, MSCSH	A-43 – A-44	AC17/18
Adjustable Shelf Clips	SC	A-44	AC22
Alder Characteristics		G-4	S&P
Alpine		G-5, G-47	S&P
Angled Columns	AC	A-26	B, W, V, T
Angled End Panels	A_EP	A-25	B, V, T
Angled End Panel Fluted Face	AF_EP	A-25	B, V, T
Angled Fluted Columns	AFC	A-26	B, W, V, T
Antiqued		G-16	S&P
Appliance Garage	AG	W-24	W
Appliance Panel #1: 1/4" Panel	AP1	A-29	AC16
Appliance Panel #2: Door Mounted on 1/4" Back-Panel	AP2	A-29	AC16
Appliance Panel Form		Forms	
Applied Moulding Doors		G-35 – G-36	S&P
Arched Valance	AVAL	A-7	AC3
Arched Toekick Valance	TKVAL	A-10	AC3, B
Artisan Packages		G-13 – G-14	S&P
Asymmetrical Base Corner Cabinets	FBCC_	B-46 – B-49	
Asymmetrical Wall Corner Cabinets	WCC_	W-50 – W-57	
Athens		G-5, G-22	S&P
Attach Toekick	ATK	M-7	AT9
Audio Roll-out Shelf (Installed & Loose)	AROS	A-42	AC21
<b>B</b>			
Backsplash – 3-1/2" Tall	BSP	A-6	AC2
Base	B	B-4	B
Base 1-Drawer	B1D	B-16	B
Base 2-Drawer	B2D	B-16	B
Base 2-Drawer Exposed Breadboard	B2D_EBB	B-16	B
Base 3-Drawer	B3D	B-18	B

Description	Nomenclature	Page Number	20-20 Section
Base 3-Drawer Display Fronts	B3D_DIS	B-18	B
Base 3-Drawer Exposed Breadboard	B3D_EBB	B-18	B
Base 3-Drawer Breadboard	B3D_BB	B-18	B
Base 4-Drawer	B4D	B-20	B
Base 4-Drawer Exposed Breadboard	B4D_EBB	B-20	B
Base 4-Drawer Breadboard	B4D_BB	B-20	B
Base Apothecary Drawer	BAD	B-34	B
Base Appliance Garage	BAG	B-31	
Base Bake Center	BBC	B-30	B
Base Cabinets		B-1	B
Base Cabinet Cross Sections		B-2	B
Base Cooktop	BCT	B-24	B
Base Corner Drawer	BCC_D	B-45	BC
Base Corner Filler	BCF	A-17	AC
Base Desk Drawer	BDDC	B-62	B
Base Double-Entry	BDE	B-22	B
Base Downdraft	BDD	B-26	B
Base End Shelf	BES	B-58	B
Base End Shelf Half	BESH	B-58	B
Base File 2-Drawer	BF2D	HO-4	HO
Base Filler Pull-out Spice Rack	BFPS	B-33	B
Base Filler Pull-out Stainless Steel	BFPSS	B-33	B
Base Full Wine Rack Lattice	BFWRL	B-38	B
Base Full Wine Rack - X Grid	BFWRX	B-39	
Base Half Wine Rack Lattice	BHWRL	B-38	B
Base Islands	BI	B-60	B
Base Island Ends	BIE	B-59	
Base Linen Cabinet	BLC	B-15	B
Base Microwave	BM	B-31	B
Base Open Cubbyhole	BOCH	B-34	B
Base Open Towel Rack	BOTR	B-32	B
Base Oven	BOV	B-28	B
Base Oven w/Drawer	BOVD	B-28	B
Base Oven w/ 1 Deep Drawer	BOV1D	B-28	
Base Raised Dishwasher	BRDW	B-25	B
Base Recycle Center	B_RC	B-36	B
Base Reverse Range	BRR	B-26	B
Base Roll-out	BRO	B-8	B
Base Shoe Moulding	BSHM	A-4	AC2
Base Sink	BS	B-10	B
Base Sink Angle	BSA	B-52	BC
Base Sink Front Kit	BSFK	B-12	B
Base Sink Front Kit Angle	BSFKA	B-52	BC
Base Sink w/Tip-out	BST	B-10	B
Base Square Corner	BSC	B-40	BC
Base Square Corner Info		B-41	
Base Square Corner Filler	BSCF	A-17	AC

# Index

Description	Nomenclature	Page Number	20-20 Section	Description	Nomenclature	Page Number	20-20 Section
Base Square Corner Chrome Optimizer	BSC_OPT	B-42	BC	Colors by Canyon Creek (paints)		G-11	S&P
Base Square Corner Half-Round Trays	BSC_HR	B-40	BC	Columns (Custom)		A-14	
Base Trash Pull-outs	B_STP, DTP	B-36	B	Concord		G-5, G-40	S&P
Base Tray	BT	B-34	B	Copenhagen		G-5, G-45	S&P
Base Warming Drawer	BWD	B-29	B	Corbels		A-12 ENK and HF	
Beaded Bull Nose Moulding	BNB	A-4	AC2	Corner Posts		A-11	
Beaded Inset		G-3	S&P	Cornerstone Cabinet Construction		G-1	
Beaded Interior Back	BIB	M-9	AC8	Corner Appliance Garage	CAG	W-58	WC
Beech Characteristics		G-4	S&P	Corner Height Transition Cabinet	V,M,BCHT	HO-8	HO
Belmont		G-5, G-38	S&P	Cornice Moulding	COR	A-4	AC2
Bookcase Adjustable Shelves	BCAS	A-44	AC17/18	Cornsilk Paint		G-11	S&P
Brackets	BRACK	A-16	B, AC14	Cortina	CRT	G-5, G-30	S&P
Breadboard & Knife Drawer	BBR, BBK, IBB	A-45	AC20, AT11	Countertop Materials		A-18	
Bread Drawer Cover Kit	BDCK	A-47	AC20	Country Valance	CVAL	A-7	AC3, AT4
Brentwood		G-5, G-24	S&P	Coventry		G-5, G-41	S&P
Bull Nose Moulding	BN, BNB	A-4	AC2	CPU Cabinet	VCPU	HO-6	HO
Bumper Pads (Clear)	PADS	A-52	AC22	Cracks		G-13	
Burnished		G-17	S&P	Crown Mouldings	CRWN	A-2	AC2, MP
<b>C</b>				Crown Mouldings prepped for MP	CRWN_-MP	A-2	AC2, MP
Cabinet Box Exterior Modifications		M-3 –M-8	AT	Crown Mouldings w/Inserts (2-Piece)		A-3	
Cabinet Box Interior Modifications		M-9	AT	Custom Color Match Request		Forms	
Cabinet Box Interior Options		G-2		Custom Columns & Corners		A-14	
Cabinet Construction		G-1		Custom Finished Panels	CP	A-28	
Cabinet Depth Modifications		M-3	AT	Custom Oven Cutout Form		Forms	
Cabinet Height Modifications		M-2	AT	Cutlery Tray Insert (Wood)	WCT	A-48	
Cabinet Width Modifications		M-2	AT	<b>D</b>			
Cabinet Organization Accessories		A-49 – A-51		Decorative Hardware		A-53 – A-62	AC31
Canterbury		G-5, G-30	S&P	Decorative Panel Valance	DVAL	A-9	W
Cape Cod Solid		G-5, G-28	S&P	Dentil Moulding	DM	A-4	AC2
Cap Moulding	CAPM	A-4	AC2	Designating Door & Drawer Locations		M-1	
Carlsbad	CBD	G-5, G-30	S&P	Desk Drawer Cabinet	DDC	V-38	V
Carved Edges		G-13		Desk Pencil Drawer (Wood)	DPDW	HO-11	HO
Casings	CB-A, CB-B, CB-C & CB-D	A-5	MP	Dings		G-13	
Catalina	CAT	G-5, G-32	S&P	Distressing		G-13	S&P
Charleston		G-5, G-39	S&P	Door & DF Sample Order Form		Forms	
Chatham		G-5, G-38	S&P	Door Style Quick Selection Guides		G-5 – G-6	
Cherry Characteristics		G-4	S&P	Door Only Sample	DOS	G-51	
Chisel Marks		G-13		Door Overlays		G-2	
Chocolate Glaze or Highlighting		G-15	S&P	Doors (Loose)	DOOR-	A-38	AC16
Chopping Block	CB, ICB	A-45	AC20, AT11	Door Modifications		M-10 – M-14	
Clear Bumper Pads	PADS	A-52	AC22	Door Mount Spice Rack (Loose)	DSR	A-49	AC20
Clear Lacquer: Matte Gloss	LAQ-MAT	A-52	AC24	Door Storage Rack (Loose for Sink Base)	DSTR	A-49	
Clear Lacquer: Standard Gloss	LAQ-STD	A-52	AC24	Double Beaded Self Edge	SEDB	M-9	AC2
Clipped Corner	CC	M-6	AT	Double Trash Pull-out	TPO2S, L	A-51	AC20
Columns		A-13, A-15, A-26	B, W, T	Dover		G-5, G-46	S&P

# Index

Description	Nomenclature	Page Number	20-20 Section
Dowel Screw Pack	DSP	A-11	AC22
Drawer Accessories & Organization		A-47 – A-48	
Drawer Box & Guide Hardware		A-42	
Drawer Box & Guide Modifications		M-15	
Drawer Box & Guide Options and Pricing		G-2	
Drawer Boxes (Loose)	DBOX	A-41	
Drawer Divider (Wood)	WDD	A-48	
Drawer Front (Loose)	DF	A-41	S&P
Drawer Front Bracket	DF-BRKT	A-42	AC22
Drawer Front Modifications		M-15	S&P
Drawer Front Only Sample	DFOS	G-51	
Drawer Guide Sets (Loose)		A-42	S&P
Drawer Ironing Board	DIB, IDIB	A-47	AC20, AT11
Drawer Organizer Kit System	DOKS	A-47	AC20
Drawer Peg System	DPS	A-47	
Drawer Roll-out Boxes (Loose)	DBOX	A-41	
Duet		G-5, G-26	S&P
<b>E</b>			
Edge Details		G-2, G-18	S&P
Edge Tape	ETL	A-27	
Embossed Materials		A-1	
Emerson		G-5, G-33	S&P
End Panels	VEP, MEP, BEP, TEP	A-24	B, V, T
End Panel w/Fluted Face	F_EP	A-24	B, V, T
End Panels Angled	A_EP	A-24	B, V, T
End Panels Angled w/Fluted Face	AF_EP	A-24	B, V, T
Equinox	RQU	G-5, G-29	S&P
Exposed Breadboard	EBB, IEBB	A-45	AC20, AT11
Exposed Writing Board	EWBK, IEWB	HO-11	AC20, AT11
Extended Stile	ESL, ESR	M-4	AT4
Extend Top or Bottom Rail	ERTOP, ERBOT	M-4	AT4
Extrapolation		M-1	
<b>F</b>			
Face Frame & Door Only	FF&D	M-5	AT4
Face Frame & Door Sample	FFDRS	G-51	
Face Frame Only	FF	M-5	AT4
Fairfax		G-5, G-39	S&P
Falmouth		G-5, G-38	S&P
Farmhouse Base Sink	FHBS	B-14	B
Feet		A-11	
File 2-Drawer (Base)	BF2D	HO-4	HO
File 3-Drawer	F3D	HO-4	HO
File 4-Drawer	F4D	HO-6	HO
File Drawer System	SMFD, LGFD	A-47	
Fillers	SF	A-17 – A-18	AT5, F
Finial Ball Hinges	HINGE-IFB	G-1, G-3, A-39	

Description	Nomenclature	Page Number	20-20 Section
Finish Notes		G-12	
Finished End Doors	FED	A-30	AT7, B, W, V, T
Finished Furniture Backs	FFB	A-37	AT9, B, W, V
Finished Furniture Ends	FFE	A-32	AT8, B, W, V
Finished Interior	FMI	M-9	AT8
Finished Interior w/Beaded Back	FMI-BIB	M-9	AT8
Finished Panels & Ends 1/4"	14FE, 14FP	A-20	AT, AC
Finished Panels 3/4"	34FP	A-27	AC
Finished Panels & Ends 3/8"	38FE, 38FP	A-22	AT, AC
Finished Panels Full Sheets & Custom Size	CP	A-28	
Finished Panels Tapered 3/4"	34FPT	A-27	AC
Finish Enhancement Acceptance Form		Forms	
Finish Enhancements		G-13 – G16	S&P
Flat Framed Mirror	M	V-40	W
Flush Ends	FE	A-34	AT2d
Flush Toekick	FTK	M-7	AT9
Flush Trim Kit	MCFTK	V-39	AC20
Fluted Columns	FC	A-26	B, W, V, T
Fluted End Panel	F_EP	A-24	B, V, T
Fluted End Panels – Angled	AF_EP	A-24	B, V, T
Fluted Filler	WFF, VFF, MFF, BFF, TFF	A-18	AC6, F
FMI (Finished to Match Interior)	FMI	M-9	AT8
FMI w/Beaded Back	FMI-BIB	M-9	AT8
Frame & Cabinet Box Exterior Modifications		M-2 – M-8	
Frame Modifications		M-4 – M-6	
Framed Cabinet Construction		G-1	
French Toekick Valances	TKV-F_	A-10	AC3, B
Full Base – 12" D	FB_x12	B-4	B
Full Base – 24" D	FB	B-4	B
Full Base Angle Back	FBAB	B-56	B
Full Base Corner Angle	FBCA	B-51	BC
Full Base Corner Angle Lazy Susan	FBCA_LS	B-43	BC
Full Base Corner Angle Super Susan	FBCA_SS	B-44	BC
Full Base Corner Cabinet	FBCC	B-43	BC
Full Base Corner Lazy Susan	FBCC_LS	B-43	BC
Full Base Corner Recycle	FBCC_RC	B-43	BC
Full Base Corner Suzy Q	FBCC_SQ	B-45	BC
Full Base Corner Super Susan	FBCC_SS	B-44	BC
Full Base Corner Revolving	FBCC_REVS	B-44	BC
Full Base Corner Cabinet Asymmetrical LEFT	FBCC_	B-46	
Full Base Corner Cabinet Asymmetrical Lazy Susan-L	FBCC_LS	B-47	
Full Base Corner Cabinet Asymmetrical Super Susan-L	FBCC_SS	B-47	
Full Base Corner Cabinet Asymmetrical RIGHT	FBCC_	B-48	

# Index

Description	Nomenclature	Page Number	20-20 Section	Description	Nomenclature	Page Number	20-20 Section
Full Base Corner Cabinet Asymmetrical Lazy Susan-R	FBCC_LS	B-49		Hampton		G-5, G-41	S&P
Full Base Corner Cabinet Asymmetrical Super Susan-R	FBCC_SS	B-49		Hanover	HAN	G-5, G-45	S&P
Full Base Double-Entry	FBDE	B-22	B	Hardwood Dovetail Drawers	HWDWR	M-15	S&P
Full Base End Angle	FBEA	B-54	B	Hickory Characteristics		G-4	S&P
Full Base End Cabinet	FBEC	B-55	B	Highlighting		G-1	S&P
Full Base Pantry Pull-out	FBPP	B-32	B	High Pressure Laminate (HPL)	HPL	G-48	S&P
Full Base Recycle Center	FB_RC	B-36	B	Hinges & Hardware		A-39	
Full Base Roll-out	FBRO	B-8	B	Hinge Door On Fixed Center Mullion	HINGELL,RR	M-10	AT6
Full Base Sink	FBS	B-12	B	Hinge Door On Top	HINGETOP	M-10	AT6
Full Base Sink Angle	FBSA	B-52	BC	Hinge Door On Top w/Lidstay	HINGETOP-LS	W-34, M-10	AT6
Full Base Sink Front Kit Angle	FBSFKA	B-52	BC	Hinge Door On Top w/Vertical Lift	HINGETOP-VL	W-36, M-10	AT6
Full Base Square Corner	FBSC	B-40	BC	Home Office		HO-1	
Full Base Square Corner Chrome Optimizer	FBSC_OPT	B-42	BC	Hood Blocks	HB	M-8	
Full Base Square Corner Half Round Trays	FBSC_HR	B-40	BC	Hood Vent Cover – Inside	HVCI	A-27	AC15
Full Base Swing-out Shelves Pantry	FBSOS	B-32		Hood Vent Cover – Outside	HVCO	A-27	AC15
Full Base Transition	FBTC	B-57	B	Houston		G-5, G-40	S&P
Full Base Tray	FBT	B-34	B	How to Apply Modifications		M-1	
Full Peninsula Starter	FPSC	B-6	BC	HPL (High Pressure Laminate)	HPL	G-48	S&P
Full Peninsula Starter w/Flush Toekick	FPSC_FTK	B-6	BC	Hutch Extension	HE	M-6	AT9
Full Sheet & Custom Size Finished Panels		A-28		<b>I</b>			
Full Sink Back	FSB	M-8		Increase Depth	ID	M-3	AT1
Full Vanity, Mid & Grand	FV	V-8	V	Increase Depth Accessory	IDA	M-3	AC30, AT14
Full Vanity, Mid & Grand Angle Back	FVAB	V-36	V	Increase Height	IH	M-2	AT1
Full Vanity, Mid & Grand End Angle	FVEA	V-36	V	Increase Height Accessory	IHA	M-3	AC30, AT14
Full Vanity, Mid & Grand End Cabinet	FVEC	V-36	V	Increase Width	IW	M-2	AT1
Full Vanity, Mid & Grand Square Corner	FVGSC	V-14	VC	Increase Width Accessory	IWA	M-3	AC30, AT14
Full Vanity, Mid & Grand Hamper	FVH	V-18	V	inMotion for Doors		A-40	
Full Vanity, Mid & Grand Sink	FVS	V-34	V	Inset Notes		G-3	
Full Vanity, Mid & Grand Sink Angle	FVSA	V-34	V	Inset Overlay		G-2, G-3	
<b>G</b>				Inside Corner Mouldings	ICM	A-4	AC2
Garrison		G-5, G-31	S&P	Installation Screws	SCREWS-I	A-52	AC22
Gettysburg		G-5, G-36	S&P	Installation Shims	SHIMS	A-52	AC22
Glacier Bay		G-5, G-49	S&P	Installed Arch Valance	IAVAL	M-5	AT4
Glaze		G-15	S&P	Installed Country Arch Valance	ICVAL	M-5	AT4
Gloss Level		G-12	S&P	Installed Straight Valance	ISV	M-5	AT4
Grommet – Elongated	GROM-E	HO-12	AC20	Installed Valances		M-5	AT4
Grommet – Round	GROM-R	HO-12	AC20	Ironing Board	DIB	A-47	AC20
<b>H</b>				Island Bookcase	IBC	B-39	B
Half-Round Moulding	HRM	A-5	AC2	Island Toekick	ITK	M-7	AT9
Half Spool & Base	HSB	A-16	AC2	<b>J</b>			
Halifax		G-5, G-46	S&P	<b>K</b>			
				Keyboard Tray Deluxe	KBDLX	HO-10	AC20
				Keyboard Tray Exposed Steel	KBES	HO-10	AC20
				Keyboard Tray Exposed Wood	KBEW	HO-10	AC20
				Keyhole Pediment	PED_K	A-8	W
				Kingston Solid		G-6, G-31	S&P
				Knife Block Insert (Wood)	WKBT	A-48	



# Index

Description	Nomenclature	Page Number	20-20 Section
KV Standards	KVS	M-9	AC8
<b>L</b>			
Lacquer – Matte Gloss	LAQ-MAT	A-52	AC24
Lacquer – Standard Gloss	LAQ-STD	A-52	AC24
Laminate Doors		G-47 – G-48	S&P
Lancaster		G-6, G-50	S&P
Lazy Susan Kits White Plastic & Wood	LSK	A-51	AC20
Legend		G-6, G-23	S&P
Legs		A-12, A-16,	AC14, B
Leg Attachment Brackets	LAB	A-16	AC22
Letter Organizer – 12"	LO_12	W-88	W
Letter Organizer – 6"	LO_6	W-86	W
Licorice Glaze, Highlighting or Patina		G-15	S&P
Lidstay (Loose)		W-35, A-40	
Light Valances	LV1.75, LV2.5	A-7	MP
Limited Lifetime Warranty		Forms	
Liner – Sink Cabinet Floor	LNRSS	A-52	AC20
Loose Shelves		A-43 – A-44	AC17/18
Loose Toekick	LTK	M-7	AT9
LPL (Low Pressure Laminate)	LPL	G-48	S&P
Lynden	LYN	G-6, G-29	S&P
<b>M</b>			
Maple Characteristics		G-4	S&P
Matte Gloss		G-12	S&P
Mechanical Chase	MC	M-8	AT9
Medicine Cabinet	MC1524	V-39	W
Microwave Shelf	MS	W-42	W
Microwave Shelf (Loose)	MSCSH	A-44	AC17/18
Microwave Shelf Cabinet	MSC	W-24	W
Microwave Universal Cabinet	MUC	W-42	W
Mid Base Cabinet Cross Sections		B-3	
Mid Base Cabinets		B-3	
Mini Pantry Pull-out	MPP0	A-50	AC20
Miscellaneous Drawer Hardware		A-42	
Mitered Doors		G-37 – G-43	
Modifications		M-1	
Modification Guidelines		M-1	
Modifications – How to Apply		M-1	
Modified Overlay		G-2	
Monterey		G-6, G-32	S&P
Monticello		G-6, G-34	S&P
Mortise & Tenon Doors		G-19 – G-34	
Mouldings		A-2 – A-5	
Moulding Lengths		A-1	
Moulding Scribe	MS	A-4	AC2
Mounting Plate	MP	A-2	AC2

Description	Nomenclature	Page Number	20-20 Section
Mount Vernon		G-6, G-35	S&P
Mullion Grid Door	MGD	M-11	AT6
Mullion Grid Door C pattern	MGDC	M-13	AT6
Mullion Grid Door Half Lite	MGDH	M-11	AT6
Mullion Grid Door Nine Lite	MGDN	M-12	AT6
Mullion Grid Door Quarter Round	MGDQ	M-12	AT6
Mullion Grid Door X pattern	MGDX	M-13	AT6
Mullion Grid Profiles		M-11	
Mullion Grid Profiles C & X		M-13	
Mullion – Vertical Top	VT	M-12	AT6
<b>N</b>			
Newport		G-6, G-41	S&P
Nickel Shelf Clip	SC-N	A-44	AC22
Normandy		G-6, G-27	S&P
Norwood		G-6, G-40	S&P
No Center Mullion	NCM	M-4	AT4
No Door	NODR	M-10	AT6
No Toekick	NTK	M-7	AT9
<b>O</b>			
Oak Characteristics		G-4	S&P
Ogee Dentil Moulding	OGDM	A-5	AC2
Ogee Moulding	OGM	A-5	AC2
Open Printer Cabinet	V,M,BOP	HO-8	HO
Ordering Procedures and Guidelines		Forms	
Order Corrections and Cancellations		Forms - See Ordering Procedures and Guidelines	
Order Correction Form		Forms	
Order Form		Forms	
Order Inquiries		Forms - See Ordering Procedures and Guidelines	
Outside Corner Mouldings	OCM	A-4	
Oven Cutout Forms		Forms	
Overlays		G-2	
<b>P</b>			
Paint (13 oz. aerosol can)	_AERO	A-52	
Paint Colors		G-11	
Panel Ends	PE	A-35	AT2e
Panel Mouldings	PNMLD	A-4	
Panel Mouldings w/Inserts (2-Piece)		A-3	
Pantry – 12" D	P_X12	T-20	T
Pantry – 24" or 21" D	P	T-18	T
Pantry End Angle	PEA	T-48	T
Pantry End Cabinet	PEC	T-50	T
Pantry Larder Cabinet	PL	T-32 –T-33	
Pantry Reverse Cabinet Cross Sections		T-2 – T-3	T
Pantry Reverse Base, Mid, Vanity	PRB,M,V	T-22	T



# Index

Description	Nomenclature	Page Number	20-20 Section	Description	Nomenclature	Page Number	20-20 Section
Pantry Reverse Base, Mid, Vanity 3-Drawer	PRB,M,V3D	T-28	T	Replace Drawers(s) w/False Front(s)	FFT	M-15	
Pantry Reverse Base, Mid 4-Drawer	PRB,M,V4D	T-30	T	Replace Single Drawer Front w/Double	2DF1, 2FF, 2TO	M-15	
Pantry Reverse Full Base: 12" D	PRFB_X12	T-24	T	Replace Square Doors w/Arch	ARCHL, ARCHM	M-10	
Pantry Reverse Full Base: 24" or 21" D	PRFB	T-22	T	Reverse Open Printer Cabinet	V,M,BROP	HO-6	HO
Patina		G-15	S&P	Ridgecrest		G-6, G-34	
Peaked Pediment	PED_P	A-8	W	Roll-out Trays	RO, SMRO	A-46	AC20
Peninsula Blocks	PNB	M-8	AT9	Rope Mouldings	RM, RML, RMS	A-5	AC2
Peninsula Starter	PSC	B-6	BC	Rout for Glass	RFG	M-11	AT6
Peninsula Starter w/Flush Toekick	PSC_FTK	B-6	BC	Rustic Species Characteristics		G-4	S&P
Pewter Glaze or Highlighting		G-15		<b>S</b>			
Placing an Order		Forms		Sage Paint		G-11	S&P
Plastic Screw Caps	CAPS	A-52	AC22	Samples	DFOS, DOS, FFDRS	G-51	
Plastic Shelf Clips	SC	A-44	AC22	Sand-Through To Wood or Color		G-17	S&P
Plate Display	PD	W-82	W	Scarring		G-13	
Plate Rail	PR	A-5	AC2	Screw Caps	CAPS	A-52	AC22
Plinth Blocks	PB	A-16	AC2	Screw Marks		G-13	
Post-Color Finish Enhancements		G-15 - G-16		Screws (Installation)	SCREWS-I	A-52	AC
Post-Color Sanding		G-17		Scribe Filler Plant-ons	SFPO	A-17	AC
Powered Hood Liners		W-97 – W-102	AC	Scribe Moulding	MS	A-4	AC2
Pre-sized 3/4" Panels	34FP	A-27		Sealer Only		G-11	S&P
Prep for Glass, door options		M-11 – M-14		Self Edge 1-1/2" H	SE	A-6	AC2
Prep for Under Wall Panel	PUWP	M-8	AC9	Self Edge 1-3/4" H	SE_2	A-6	AC2
Prescott Solid		G-6, G-37	S&P	Shaker		G-6, G-25	S&P
Pre-Color Distressing		G-13– G-14		Shalimar		G-6, G-19	S&P
Princeton		G-6, G-45		Sheen		G-12	
Printer Cabinet w/Door	V,M,BP	HO-8	HO	Shelves (Loose)	AS, BCAS, ASWCA, ASWCC, MSCSH	A-43 – A-44	AC17/18
Pull-out Towel Rack	POTR	A-50	AC20	Shelf Clips	SC	A-44	AC22
Pull-out Wire Basket 1-Tier	POWB1	A-50	AC20	Shims - Wood Installation	SHIMS	A-52	
Pull-out - Undersink	SPOWB	A-50		Sidemount Full-Extension Guides	FEG_(Z,B,W)	M-15	S&P
<b>Q</b>				Silhouette		G-6, G-50	S&P
Quart of Stain or Paint	QST	A-52	AC24	Single Trash Pull-out	TP01	A-51	B
Quattro		G-6, G-20	S&P	Sink Base Door Storage Rack (Loose)	DSTR	A-49	
<b>R</b>				Sink Cabinet Floor Liner	LNRSS	A-52	
Range Hood Section	see wood hoods	W-97 – W-117		Slip-in Linen	SIL	T-52	T
Re-Sawn	A4	G-13		Solid Wood Doors		G-45	
Recessed Toekick	RTK	M-7	AT9	Special Product Requests (SPR)		Forms	
Red Oak Characteristics		G-4		Spice Drawers	SD	W-84	W
Reduce Depth	RD	M-3	AT1	Spice Rack (for door)	DSR	A-49	
Reduce Depth Accessory	RDA	M-3	AC30, AT14	Spice Rack Tray (for drawer)	WSRT	A-48	AC20
Reduce Height	RH	M-2	AT1	Split Center Mullion	SCM	M-4	AT4
Reduce Height Accessory	RHA	M-3	AC30, AT14	Springwood		G-6, G-35	S&P
Reduce Width	RW	M-2	AT1	SPR Form & Guidelines		Forms	
Reduce Width Accessory	RWA	M-3	AC30, AT14	Stain (by the quart)		A-52	
Refrigerator Enclosure	RE	T-42	T	Stain Colors		G-11	
Replace Arch Doors w/Square	SUAL	M-10		Standard Columns	C	A-26	B, W, V, T

# Index

Description	Nomenclature	Page Number	20-20 Section
Standard Filler	SF	A-17	F
Standard Gloss		G-11	
Stemware Holder	STEM	A-49	AC20
Straight Valance	SVAL	A-8	AC3, W
Stratford		G-6, G-20	S&P
Suede Glaze or Highlighting		G-15	S&P
Support Panel	SP	HO-11	HO
Swing-up Mixer Shelf	SUMS	A-49	AC20
<b>T</b>			
Tall Bookcase	TBC	T-44	T
Tall Bookcase Full Door	TBCF	T-46	T
Tall Cabinets		T-1	T
Tall End Shelf	TES	T-52	T
Tall Filler Pull-out Spice Rack	TFPS	T-15	
Tall Filler Pull-out Stainless Steel	TFPSS	T-15	
Tall Pull-out	TP	T-16	T
Thermofoil Doors		G-49 – G-50	
Third Hinge	3HINGE	M-10	AT6
Tip-out Trays	TO, ITO	A-47	AC20
Toeboard Front	TBF	A-20	AC2
Toekick Brackets	TKB	A-10	AC14, B
Toekick Corner Brackets	TKCB	A-10	AC14, B
Toekick Insert Radius	TKI-RAD	A-10	AC14, B
Toekick Valances		A-10	
Toekick Valance Arched	TKVAL	A-10	AC3, B
Touch-up Kit	TUK	A-52	AC24
Towel Rack (Base)	BOTR	B-32	B
Towel Rack (Pull-out)	POTR	A-50	AC20
Traditional Overlay		G-2, M-4	
Transition Wing Filler	TWF	A-17	AC5, T
Trash Pull-outs	TPO1, TPO2	A-51	AC20
Tray Dividers	TD, ITD	A-49	AC20, AT11
Tri-view Mirror Medicine Cabinet	TV	V-40	W
Trio		G-6, G-42	S&P
Tuscany		G-6, G-50	S&P
Two-piece Crown and Panel Mouldings w/Inserts		A-3	
<b>U</b>			
Undermount Full-Extension Guides	UMFEG	M-15	S&P
Under Range Panel	URP	A-17	AT2, B
Understanding Your Acknowledgement		Forms	
Undersink Pull-out Chrome	SPOWB	A-50	
Under Wall Panel	UWP	A-20	AC2
Unfinished		G-11	S&P
Universal Oven – 1 Deep Drawer	UOV_-1D	T-38	T
Universal Oven – 1 Shallow Drawer	UOV_-1S	T-36	T
Universal Oven – 1 Shallow Drawer, Short Upper	UOV_-1SS	T-36	T

Description	Nomenclature	Page Number	20-20 Section
Universal Oven – 2-Drawer	UOV_-2\	T-38	T
Universal Oven – 3-Drawer	UOV_-3	T-40	T
Universal Oven – Full Base	UOV_-FB	T-40	T
Universal Oven – No Drawer	UOV_-ND	T-34	T
Universal Oven – No Drawer, Short Upper	UOV_-NDS	T-34	T
Utility – 12" D	U_X12	T-6	T
Utility – 24" or 21" D	U	T-4	T
Utility Door Rack	UDR	T-10	T
Utility End Angle	UEA	T-48	T
Utility End Cabinet	UEC	T-50	T
Utility Pull-out Chrome	UPO	T-14	
Utility Roll-out	URO	T-8	T
Utility Shelf Kit (Loose)	USK	A-43	AC
Utility Swing-Out Shelves Pantry	USOS	T-12	T
Utility Tray Insert (Wood)	WUT	A-48	
<b>V</b>			
Valances		A-7 – A-10, M-5	AC3, AT4
Valley Forge		G-6, G-27	S&P
Vanilla Glaze or Highlighting		G-15	S&P
Vanity, Mid & Grand	V	V-6	V
Vanity, Mid & Base File Combination	V,M,BFC	HO-2	V
Vanity, Mid & Grand 2-Drawer	V2D	V-28	V
Vanity, Mid & Grand 3-Drawer	V3D	V-30	V
Vanity, Mid & Grand 4-Drawer	VM4D	V-30	V
Vanity, Mid & Grand Apothecary Drawer	VAD	V-34	V
Vanity, Mid & Grand Bookcase	VBC	V-32	V
Vanity Cabinets		V-1	V
Vanity, Mid & Grand Combination	VCOM	V-20	V
Vanity, Mid & Grand Combination Drawers	VCD	V-22	V
Vanity Cross Sections		V-2	
Vanity, Mid & Grand Double Sink Drawers	V2SD	V-22	V
Vanity, Mid & Grand End Shelf Angle	VESA	V-38	V
Vanity, Mid & Grand End Shelf Round	VESR	V-38	V
Vanity File Drawer	VFD	HO-2	V
Vanity Grand Cross Sections		V-4	V
Vanity Grand Hamper	VGH	V-18	V
Vanity Grand Sink 4-Drawer	VGS4D	V-26	V
Vanity Hamper (Full)	FVH	V-18	V
Vanity Mid Cross Sections		V-3	
Vanity Mid Sink 4-Drawer	VMS4D	V-26	V
Vanity, Mid & Grand Reverse	VR	V-16	V
Vanity, Mid & Grand Sink	VS	V-10	V
Vanity, Mid & Grand Sink 3-Drawer	VS3D	V-24	V

# Index

Description	Nomenclature	Page Number	20-20 Section	Description	Nomenclature	Page Number	20-20 Section
Vanity, Mid & Grand Sink Angle	VSA	V-34	V	Wall Corner Shelves (Loose)	ASWCA, ASWCC	A-44	
Vanity, Mid & Grand Square Corner	VSC	V-14	V	Wall Cross Sections		W-2 – W-5	
Veneer Doors		G-45– G-46		Wall Display	WD	W-81	W
Vertical Mullion Top	VT, VTR	M-12		Wall Double-Entry: 18", 24", 30" H	WDE	W-18	W
<b>W</b>				Wall End Angle	WEA	W-92	W
Wall – 12", 14", 15", 18" H	W	W-6	W	Wall End Cabinet	WEC	W-92	W
Wall – 20", 21", 24", 26", 27" H	W	W-8	W	Wall End Shelf – 12" W	WEC	W-94	W
Wall – 30", 33", 36" H	W	W-10	W	Wall End Shelf – 6" W	WES	W-94	W
Wall – 39", 42" H	W	W-12	W	Wall Filler Pull-out Spice Rack	WFPS	W-80	
Wall - 24" D: 12", 14", 15", 18" H	W_X24	W-14	W	Wall Filler Pull-out Stainless Steel	WFPS	W-80	
Wall - 24" D: 20", 21", 24", 26", 27" H	W_X24	W-16	W	Wall Hutch Cabinet: 48", 54", 60" H	WHC	W-72	W
Wall w/Lidstay	W_LS	W-34	W	Wall Letter Organizer – 12"	WLO_12	W-88	W
Wall w/Vertical Bifold	W_VB	W-40	W	Wall Letter Organizer – 6"	WLO_6	W-86	W
Wall w/Vertical Lift: 15", 18" H	W_VL	W-36	W	Wall Open Cubbyhole	WOCH	W-81	W
Wall w/Vertical Lift: 21", 24" H	W_VL	W-38	W	Wall Open Letter Organizer – 12"	WOLO_12	W-88	W
Wall 1-Drawer	W1D	W-60	W	Wall Open Letter Organizer – 6"	WOLO_6	W-86	W
Wall 2-Drawer	W2D	W-64	W	Wall Open Plate Display	WOPD	W-82	W
Wall 3-Drawer	W3D	W-66	W	Wall Open Spice Drawers	WOSD	W-84	W
Wall Angle Back	WAB	W-93	W	Wall Pantry Pull-out	WPP	W-78	W
Wall Angle End	WAE	W-90	W	Wall Pull-out Stainless Steel	WPSS	W-78	W
Wall Appliance Garage	WAG	W-24	W	Wall Peninsula	WPEN	W-90	W
Wall Bookcases: 18", 24", 30", 36" H	WBC	W-68	W	Wall Plate Display	WPD	W-82	W
Wall Bookcase: 42", 48", 54", 60" H	WBC	W-70	W	Wall Spice Drawers	WSD	W-84	W
Wall Bookcase 1-Drawer	WBC1D	W-62	W	Wall Spice Rack Wood	WSRW	W-78	W
Wall Bookcase 2-Drawer	WBC2D	W-64	W	Wall Square Corner: 18", 24" H	WSC	W-26	WC
Wall Bookcase 3-Drawer	WBC3D	W-66	W	Wall Square Corner: 30", 33", 36", 39", 42" H	WSC	W-28 – W-29	WC
Wall Cabinets		W-1	W	Wall Square Corner Double-Entry: 24", 30" H	WSCDE	W-32	WC
Wall Corner Angle	WCA	W-44	WC	Wall Square Corner Stacked Doors	WSCSS	W-30	WC
Wall Corner Angle Appliance Garage	WCAAG	W-58	WC	Wall Stacked Doors: 12" – 24" W	WS2DR	W-20	W
Wall Corner Angle Appliance Garage Lazy Susan	WCAAG_LS, WCAAG_LSW	W-59	WC	Wall Stacked Doors: 24DD" – 36" W	WS4DR	W-22	W
Wall Corner Angle Double-Entry	WCADE	W-46	WC	Wall Toekick	WTK	M-7	W
Wall Corner Angle Double-Entry Lazy Susan	WCADE_LS, WCADE_LSW	W-46	WC	Wall Transition Cabinet	WTC	W-68	W
Wall Corner Angle Lazy Susan	WCA_LS, WCA_LSW	W-44	WC	Wall Vanity	WV	V-39	W
Wall Corner Angle Stacked Doors	WCAS	W-48	WC	Wall Wine Rack – Diagonal	WWRD	W-76	W
Wall Corner Angle Stacked Doors w/Lazy Susan	WCAS_LS, WCAS_LSW	W-38	WC	Wall Wine Rack – Lattice	WWRL	W-74	W
Wall Corner Cabinet	WCC	W-44	WC	Wall Wine Rack - X Grid	WWRX	W-76	
Wall Corner Cabinet Asymmetrical LEFT	WCC_	W-50		Warranty		Forms	
Wall Corner Cabinet Asymmetrical RIGHT	WCC_	W-56		Warranty Orders		Forms - See Ordering Procedures and Guidelines	
Wall Corner Cabinet Stacked Doors	WCCS	W-48	WC	Weaved Pattern Accessories		A-15	
Wall Corner Cabinet Stacked Asymmetrical LEFT	WCCS_	W-52		White or Crème Painted Materials		A-1	
Wall Corner Cabinet Stacked Asymmetrical RIGHT	WCCS_	W-56		Windsor		G-6, G-21	S&P
				Winterset		G-6, G-49	S&P
				Wire Basket Pull-out (1-Tier)	POWB1	A-50	AC20
				Wire (Cable) Trunking	WIRE96	HO-12	AC20
				Wood Cutlery Tray Insert	WCT	A-48	

# Index

Description	Nomenclature	Page Number	20-20 Section
Wood Door Mounted Spice Rack Cabinet	WSRW	W-78	W
Wood Door Mount Spice Rack (Loose)	DSR	A-49	
Wood Drawer Divider	WDD	A-48	
Wood Hoods	H1F, H2F, H1S, H1T, H2S, H2T, H3S, H3T	W-97 – W-102	W
Wood Hood Pricing	see above	W-106 – W-113	W
Wood Hood Mantels	HMA, HMB, HMC	W-103 – W-105	W
Wood Hood Mantel Pricing	see above	W-114 – W-117	W
Wood Installation Shims	SHIMS	A-52	AC22
Wood Knife Block Insert	WKBT	A-48	
Wood Species & Color Specifications		G-11– G-12	
Wood Species Characteristics		G-4	
Wood Spice Rack Tray	WSRT, IWSRT	A-48	
Wood Tops	WTF	A-19	AC
Wood Utility Tray Insert	WUT	A-48	
Wood Veneer Doors		G-45	
Worm Holes		G-13	
Worn Edges		G-13	