

CANYON CREEK
Cabinet Company
CLOSETS PLUS

P&S Guide Update Summary
June 2018

IN THIS UPDATE: Copper Twilight Discontinued & Maintenance Edits

MAINTENANCE	<p>New Pages</p> <p>36, 50</p>	<p>Maintenance Edit: Hinge plate mounting holes need to be drilled onsite for 14" D vertical panels and for center hinge on 22" and 24" D vertical panels with certain door heights</p>
DISCONTINUED	<p>New Pages</p> <p>57</p>	<p>Discontinued: Acrylic option Copper Twilight has been discontinued</p>

>> This page intentionally blank <<

Closets Plus

Price & Specifications



Your Style With Our Solutions Creates Home

CANYON CREEK
Cabinet Company
CLOSETS PLUS

Table of Contents

MODULES	1 - 36
General Information and Color/Material Selection	1
Hanging	4 - 9
Shelf	10 - 15
Drawer	16 - 19
Hutch	20 - 21
Basket	22 - 25
Hamper	26 - 29
Corner	30 - 33
Open	34 - 35
How to calculate custom drawer/door modules	36
COMPONENTS	37 - 64
General Panel Information	37
Color/Material and Panel Options	38
Vertical Panels	39 - 41
Toe Fronts & Custom Panels	42
Shelves	43 - 47
Doors	49 - 57
Decorative Hardware	50
Drawers	58 - 59
Mouldings & Valances	60 - 64
ACCESSORIES	66 - 77
Shelf Dividers	66
Drawer Inserts	66 - 67
Wire Baskets	68
Hampers	69
Wardrobe Storage	70 - 71
Closet Poles	72
Hooks and Slide-out Racks	72
Ironing Board & Mirror	73
Hardware/Color Compatibility Guide	74
Suspension Rail Parts	75
Decorative Hardware	50
Miscellaneous Hardware	76 - 77
DESIGN, INSTALLATION INSTRUCTIONS, ORDER FORMS & WARRANTY	Back of book

MODULES - General Information

<p>MODULES:</p> <ul style="list-style-type: none"> • Pre-configured component and accessory combinations that fit between installed vertical panels • Modules and vertical panels are offered in four heights • Vertical panels not included • Finished surfaces are available in wood veneer or melamine • Doors are available loose and are sized to fit "standard width" modules (pg 50) <ul style="list-style-type: none"> – Allowable sizes are listed with each applicable module • Recommend using our Design Guidelines and Installation Instructions 	<p>TO ORDER:</p> <ol style="list-style-type: none"> 1. Select color and material for module 2. Order module(s) - specify hardware finish when required 3. Order loose Vertical Panels (VP) (refer to Components section) 4. If using drawers - specify drawer front style name, type (slab or matching), color and material 5. If using doors - specify door style, color, material and modifications (if any) 6. If using drawers or doors - order decorative hardware (pg 50) 7. Order suspension rail(s) and desired cover <p>DESIGN / INSTALL NOTE:</p> <ul style="list-style-type: none"> • To support heavier items on bottom shelves, we recommend ordering additional toe fronts (loose) <ul style="list-style-type: none"> – Install towards back & under bottom shelf 	<p>MODIFICATIONS:</p> <ul style="list-style-type: none"> • Reduce Width (RW) at no charge <ul style="list-style-type: none"> – Specify in 1/4" increments – Min. width 12-1/4" – Availability noted on individual module configurations – Loose doors are not available for reduced width modules • No other modifications allowed <ul style="list-style-type: none"> – To create a customized module configuration, order all the desired components and accessories loose – Details for customizing with doors and drawers are on page 36
--	---	--

Price Category and Color Guide

- Price categories are grouped by material and colors

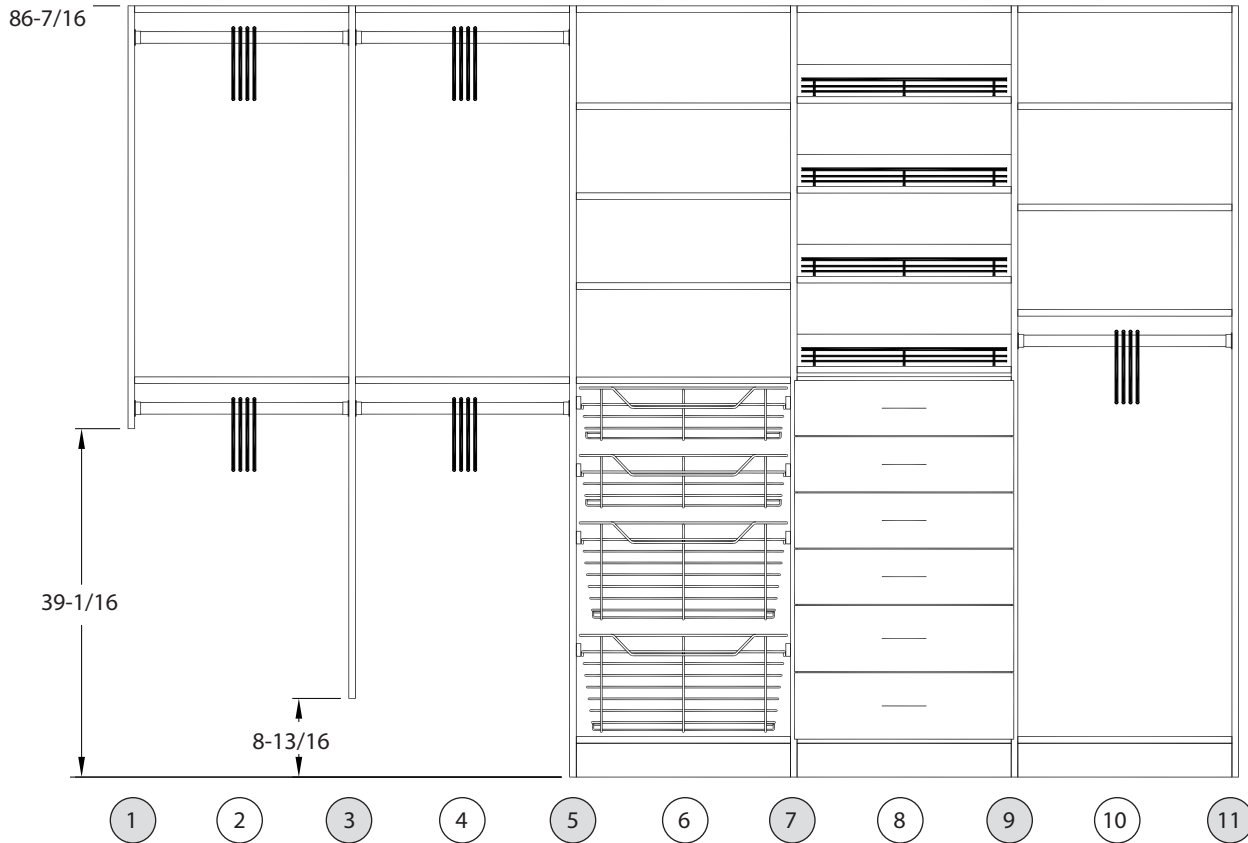
MELAMINE		
COLOR	SUBSTRATE	PRICE CATEGORY
White	PBD	1
Caramel Chai Chocolate Creme	PBD	2
Western Alder Windsor Mahogany	PBD	3

WOOD			
SPECIES	COLOR	SUBSTRATE	PRICE CATEGORY
Alder	See stain colors	PBD	4
Beech			
Cherry		PLY	5
Maple			
Oak			

STAIN COLORS (available on all wood species)		
Caraway	Graphite	Natural
Cayenne	Hazelnut	Pecan
Chicory	Honey	Sable
Cinnamon	Java	Sea Drift
Dune	Kona	Toffee
Espresso		
STAIN COLORS (available on Maple Only)		
Charcoal	Shadow	
Gloss: only Standard sheen is used on stains		

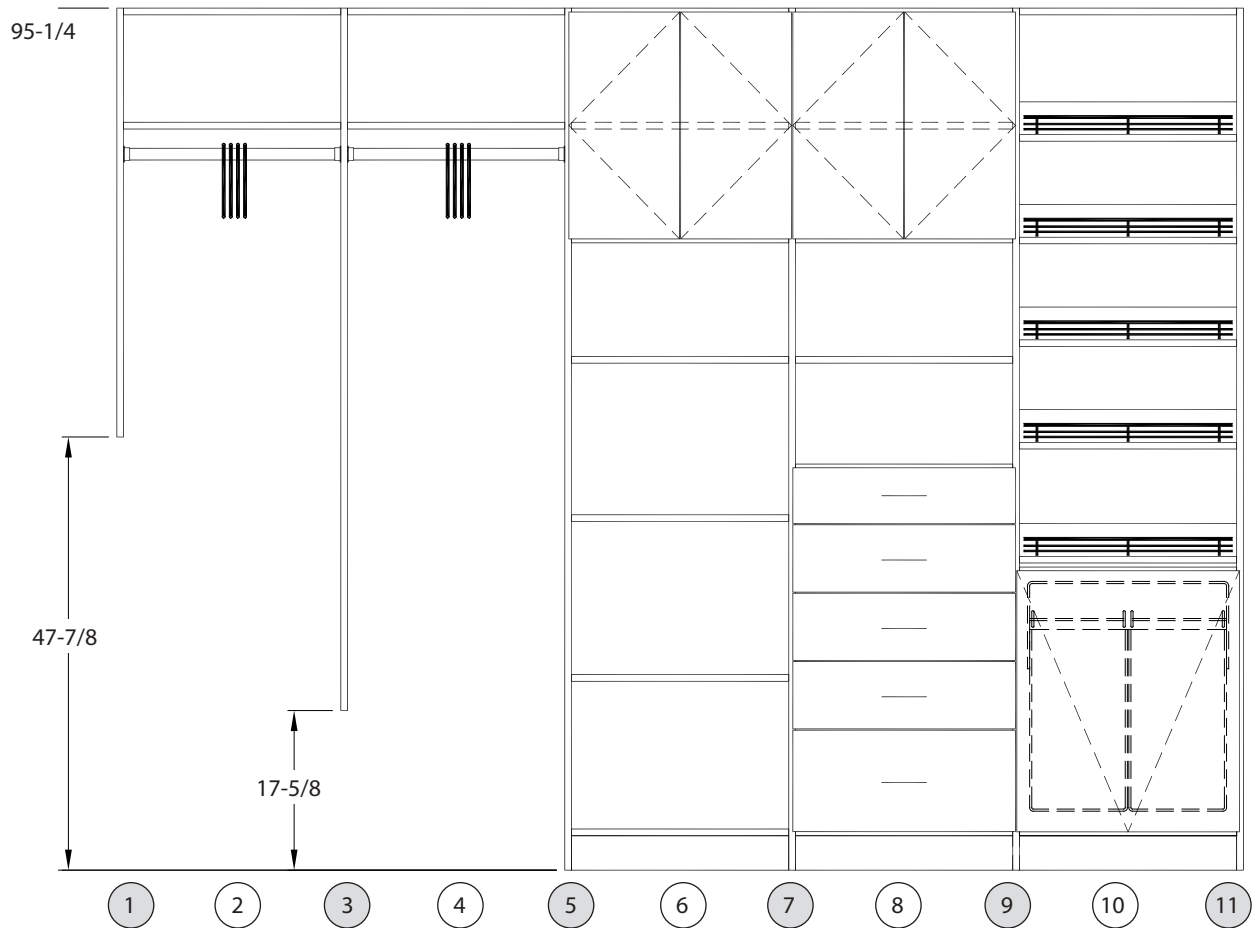
MODULES - Sample Layout: 87" H System

- Sample layouts designed with standard sized modules and vertical panels at standard system heights (pg 2 & 3)
- Many modules and vertical panels are offered in four different heights
- Refer to Installation Instructions for details on how to measure for actual install heights needed



Modules and vertical panels used in this example: (From left to right)		
1	VP1448-L	48" H Vertical Panel (left panel orientation)
2	MDH244814-SN	48" H Double Hang w/satin nickel (SN) closet poles
3	VP1478-C	78" H Vertical Panel (center panel orientation)
4	MDH247814-SN	78" H Double Hang (SN closet poles)
5	VP1487-C	87" H Vertical Panel (center)
6	M4BA248714-SN	87" H 4 baskets w/adjustable shelves (SN baskets)
7	VP1487-C	87" H Vertical Panel (center)
8	M6DS248714-SN	87" H 6 Drawer w/shoe shelves (SN shoe fences)
9	VP1487-C	87" H Vertical Panel (center)
10	MMH248714-SN	87" H Mid Single Hang (SN closet pole)
11	VP1487-R	87" H Vertical Panel (right panel orientation)
*Decorative hardware (for drawers) ordered separately		

MODULES - Sample Layout: 96" H System



Modules and vertical panels used in this example: (From left to right)		
1	VP1448-L	48" H Vertical Panel (left panel orientation)
2	MLH244814X-SN	48" H Long Single Hang w/satin nickel (SN) deluxe closet poles
3	VP1478-C	78" H Vertical Panel (center panel orientation)
4	MLH247814X-SN	78" H Long Single Hang (SN deluxe closet poles)
5	VP1496-C	96" H Vertical Panel (center)
6	MSA249614	96" H Adjustable Shelves (shown with doors)
7	VP1496-C	96" H Vertical Panel (center)
8	M5DA249614	96" H 5 Drawer w/adjustable shelves (shown with doors)
9	VP1496-C	96" H Vertical Panel (center)
10	MHTS249614-SN	96" H Hamper Tilt-Out w/shoe shelves and SN shoe fences (shown w/door)
11	VP1496-R	96" H Vertical Panel (right)

MODULES - Hanging

Single Hang - Mid

Module includes:

- (2) fixed shelves
- (2) adjustable shelves
- closet pole and cup set

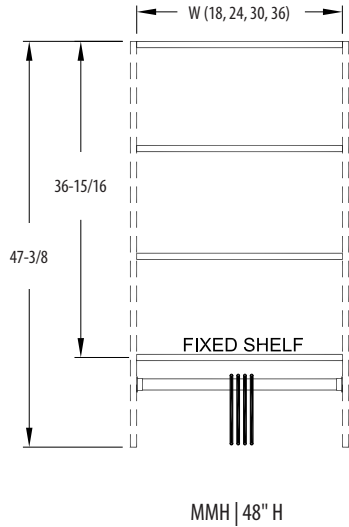
87" and 96" H modules also include:

- (1) bottom shelf
- (1) 3-3/4" H toe front

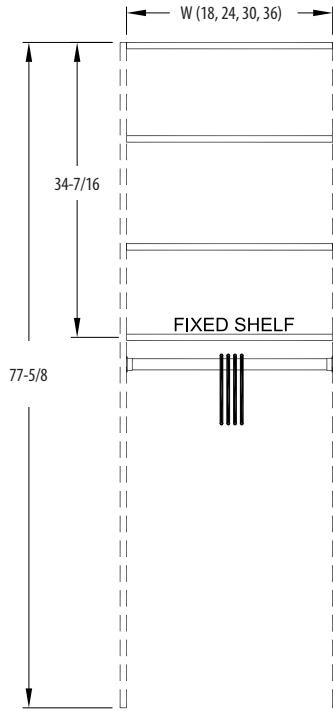
Modification Limits

RW

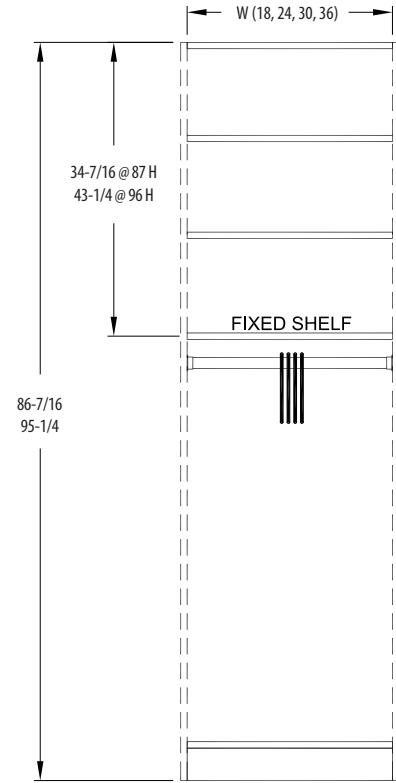
Reduce Width: Min 12-1/4" in 1/4" increments



MMH | 48" H



MMH | 78" H



MMH | 87" & 96" H

Standard door sizes for upper openings (order loose doors)

48" H		
W	Qty	Size
18	1	DR1936 (L/R)
24	2	DR1236
30	2	DR1536
36	2	DR1836

78" H		
W	Qty	Size
18	1	DR1933 (L/R)
24	2	DR1233
30	2	DR1533
36	2	DR1833

87" H		
W	Qty	Size
18	1	DR1933 (L/R)
24	2	DR1233
30	2	DR1533
36	2	DR1833

96" H		
W	Qty	Size
18	1	DR1941 (L/R)
24	2	DR1241
30	2	DR1541
36	2	DR1841

MODULES - Hanging

PC = Polished Chrome SN = Satin Nickel ORB = Oil Rubbed Bronze					Melamine			Wood (PBD)	Wood (PLY)
					1	2	3	4	5
SINGLE HANG - MID					White	Caramel Chai Chocolate Creme	W. Alder W. Mahogany	All species & stains	All species & stains
<i>Module & finish required</i>									
Module	Finish	Width	Height	Depth					
Module w/Standard Poles									
MMH184814	PC, SN, ORB	18	48	14	253	276	297	456	497
MMH244814	PC, SN, ORB	24			287	321	348	524	578
MMH304814	PC, SN, ORB	30			326	366	400	590	658
MMH364814	PC, SN, ORB	36			360	410	451	661	743
MMH187814	PC, SN, ORB	18	78		253	276	297	456	497
MMH247814	PC, SN, ORB	24			287	321	348	524	578
MMH307814	PC, SN, ORB	30			326	366	400	590	658
MMH367814	PC, SN, ORB	36			360	410	451	661	743
MMH188714	PC, SN, ORB	18	87		329	360	387	617	672
MMH248714	PC, SN, ORB	24			370	414	449	702	773
MMH308714	PC, SN, ORB	30			417	470	516	785	875
MMH368714	PC, SN, ORB	36			460	526	578	875	984
MMH189614	PC, SN, ORB	18	96		329	360	387	617	672
MMH249614	PC, SN, ORB	24			370	414	449	702	773
MMH309614	PC, SN, ORB	30		417	470	516	785	875	
MMH369614	PC, SN, ORB	36		460	526	578	875	984	
Module w/Deluxe Poles									
MMH184814X	PC, SN, ORB	18	48	14	273	297	317	477	517
MMH244814X	PC, SN, ORB	24			312	346	373	550	604
MMH304814X	PC, SN, ORB	30			353	393	427	617	685
MMH364814X	PC, SN, ORB	36			392	443	483	694	775
MMH187814X	PC, SN, ORB	18	78		273	297	317	477	517
MMH247814X	PC, SN, ORB	24			312	346	373	550	604
MMH307814X	PC, SN, ORB	30			353	393	427	617	685
MMH367814X	PC, SN, ORB	36			392	443	483	694	775
MMH188714X	PC, SN, ORB	18	87		349	380	407	638	692
MMH248714X	PC, SN, ORB	24			395	439	475	728	799
MMH308714X	PC, SN, ORB	30			444	497	543	812	902
MMH368714X	PC, SN, ORB	36			492	558	611	907	1016
MMH189614X	PC, SN, ORB	18	96		349	380	407	638	692
MMH249614X	PC, SN, ORB	24			395	439	475	728	799
MMH309614X	PC, SN, ORB	30		444	497	543	812	902	
MMH369614X	PC, SN, ORB	36		492	558	611	907	1016	

MODULES - Hanging

Single Hang - Long

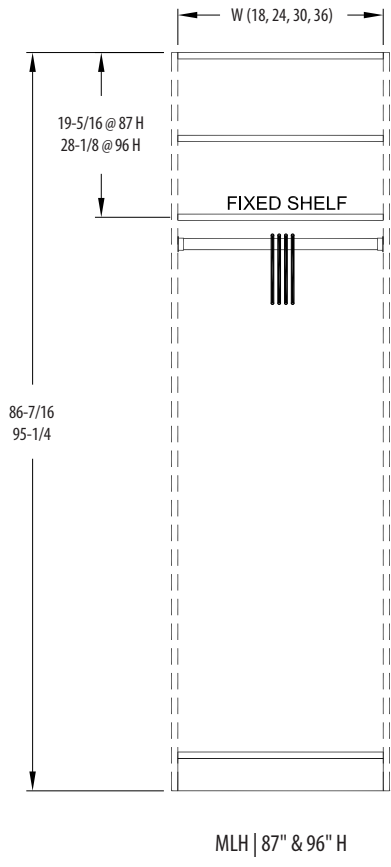
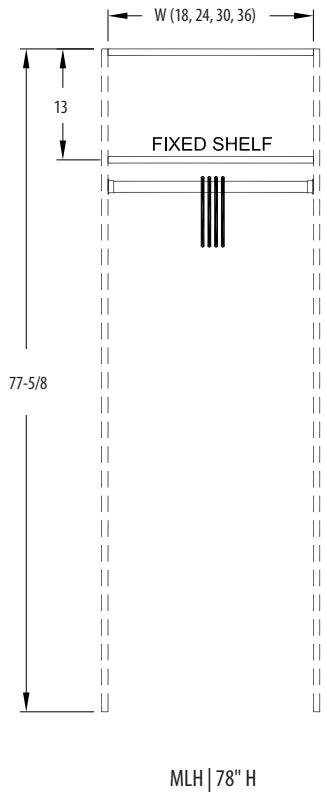
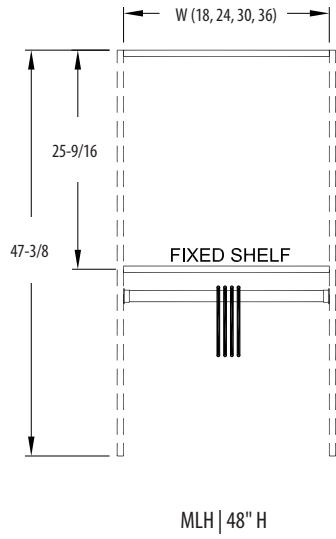
Module includes:

- (2) Fixed shelves
- Closet pole and cup set

87" and 96" H modules also include:

- (1) Bottom shelf
- (1) 3-3/4" H toe front
- Adjustable shelf - 87" H = 1 | 96" H = 2

Modification Limits	
RW	Reduce Width: Min 12-1/4" in 1/4" increments



Standard door sizes for upper openings (order loose doors)

48" H		
W	Qty	Size
18	1	DR1925 (L/R)
24	2	DR1225
30	2	DR1525
36	2	DR1825

78" H		
W	Qty	Size
18	1	DR1912 (L/R)
24	2	DR1212
30	2	DR1512
36	2	DR1812

87" H		
W	Qty	Size
18	1	DR1920 (L/R)
24	2	DR1220
30	2	DR1520
36	2	DR1820

96" H		
W	Qty	Size
18	1	DR1928 (L/R)
24	2	DR1228
30	2	DR1528
36	2	DR1828

MODULES - Hanging

PC = Polished Chrome SN = Satin Nickel ORB = Oil Rubbed Bronze					Melamine			Wood (PBD)	Wood (PLY)
					1	2	3	4	5
SINGLE HANG - LONG					White	Caramel Chai Chocolate Creme	W. Alder W. Mahogany	All species & stains	All species & stains
<i>Module & finish required</i>									
Module	Finish	Width	Height	Depth					
Module w/Standard Poles									
MLH184814	PC, SN, ORB	18	48	14	165	175	185	266	287
MLH244814	PC, SN, ORB	24			185	202	215	304	331
MLH304814	PC, SN, ORB	30			210	231	248	343	377
MLH364814	PC, SN, ORB	36			234	258	278	383	424
MLH187814	PC, SN, ORB	18	78		165	175	185	266	287
MLH247814	PC, SN, ORB	24			185	202	215	304	331
MLH307814	PC, SN, ORB	30			210	231	248	343	377
MLH367814	PC, SN, ORB	36			234	258	278	383	424
MLH188714	PC, SN, ORB	18	87		285	309	331	522	566
MLH248714	PC, SN, ORB	24			319	354	383	592	650
MLH308714	PC, SN, ORB	30			360	402	439	661	734
MLH368714	PC, SN, ORB	36			397	449	492	736	824
MLH189614	PC, SN, ORB	18	96	329	360	387	617	672	
MLH249614	PC, SN, ORB	24		370	414	449	702	773	
MLH309614	PC, SN, ORB	30		417	470	516	785	875	
MLH369614	PC, SN, ORB	36		460	526	578	875	984	
Module w/Deluxe Poles									
MLH184814X	PC, SN, ORB	18	48	14	185	195	205	287	307
MLH244814X	PC, SN, ORB	24			210	227	241	329	356
MLH304814X	PC, SN, ORB	30			237	258	275	370	404
MLH364814X	PC, SN, ORB	36			266	290	310	416	456
MLH187814X	PC, SN, ORB	18	78		185	195	205	287	307
MLH247814X	PC, SN, ORB	24			210	227	241	329	356
MLH307814X	PC, SN, ORB	30			237	258	275	370	404
MLH367814X	PC, SN, ORB	36			266	290	310	416	456
MLH188714X	PC, SN, ORB	18	87		305	329	351	543	587
MLH248714X	PC, SN, ORB	24			344	380	409	617	675
MLH308714X	PC, SN, ORB	30			387	429	466	689	762
MLH368714X	PC, SN, ORB	36			429	482	524	768	856
MLH189614X	PC, SN, ORB	18	96	349	380	407	638	692	
MLH249614X	PC, SN, ORB	24		395	439	475	728	799	
MLH309614X	PC, SN, ORB	30		444	497	543	812	902	
MLH369614X	PC, SN, ORB	36		492	558	611	907	1016	

MODULES - Hanging

Double Hang

Module includes:

- (2) Fixed shelves
- (2) Closet poles and cup sets

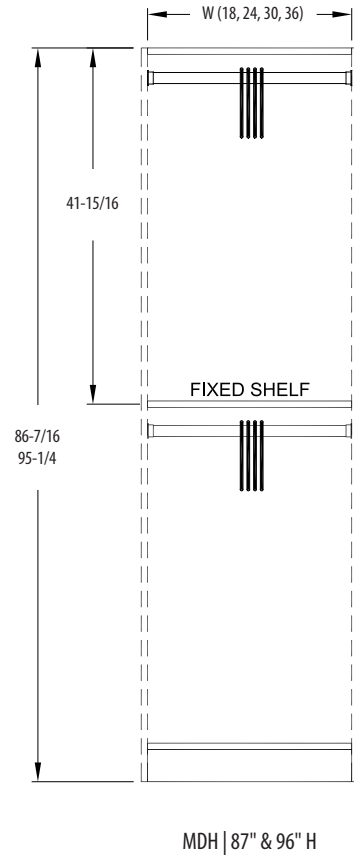
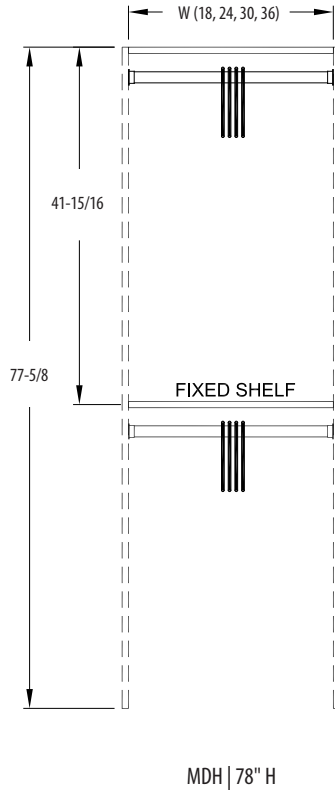
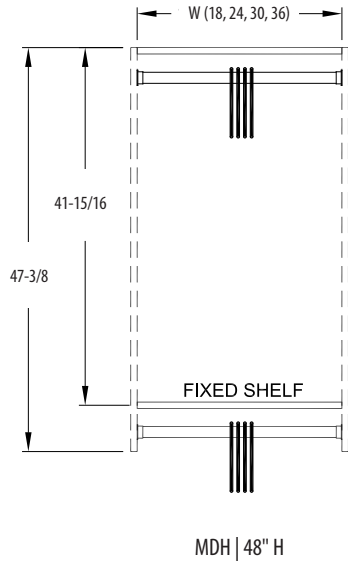
87" and 96" H modules also include:

- (1) Bottom shelf
- (1) 3-3/4" H toe front

Modification Limits

RW

Reduce Width: Min 12-1/4" in 1/4" increments



MODULES - Hanging

PC = Polished Chrome SN = Satin Nickel ORB = Oil Rubbed Bronze					Melamine			Wood (PBD)	Wood (PLY)
					1	2	3	4	5
DOUBLE HANG					White	Caramel Chai Chocolate Creme	W. Alder W. Mahogany	All species & stains	All species & stains
<i>Module & finish required</i>									
Module	Finish	Width	Height	Depth					
Module w/Standard Poles									
MDH184814	PC, SN, ORB	18	48	14	219	229	239	321	341
MDH244814	PC, SN, ORB	24			251	268	282	370	397
MDH304814	PC, SN, ORB	30			287	307	324	419	453
MDH364814	PC, SN, ORB	36			322	346	366	471	512
MDH187814	PC, SN, ORB	18	78		219	229	239	321	341
MDH247814	PC, SN, ORB	24			251	268	282	370	397
MDH307814	PC, SN, ORB	30			287	307	324	419	453
MDH367814	PC, SN, ORB	36			322	346	366	471	512
MDH188714	PC, SN, ORB	18	87		295	312	329	482	516
MDH248714	PC, SN, ORB	24			334	361	383	548	592
MDH308714	PC, SN, ORB	30			378	410	439	614	670
MDH368714	PC, SN, ORB	36			422	461	494	685	753
MDH189614	PC, SN, ORB	18	96		295	312	329	482	516
MDH249614	PC, SN, ORB	24			334	361	383	548	592
MDH309614	PC, SN, ORB	30		378	410	439	614	670	
MDH369614	PC, SN, ORB	36		422	461	494	685	753	
Module w/Deluxe Poles									
MDH184814X	PC, SN, ORB	18	48	14	259	270	280	361	382
MDH244814X	PC, SN, ORB	24			300	317	331	419	446
MDH304814X	PC, SN, ORB	30			344	365	382	477	510
MDH364814X	PC, SN, ORB	36			388	412	432	538	578
MDH187814X	PC, SN, ORB	18	78		259	270	280	361	382
MDH247814X	PC, SN, ORB	24			300	317	331	419	446
MDH307814X	PC, SN, ORB	30			344	365	382	477	510
MDH367814X	PC, SN, ORB	36			388	412	432	538	578
MDH188714X	PC, SN, ORB	18	87		336	353	370	522	556
MDH248714X	PC, SN, ORB	24			383	410	432	597	641
MDH308714X	PC, SN, ORB	30			436	468	497	672	728
MDH368714X	PC, SN, ORB	36			488	527	560	751	819
MDH189614X	PC, SN, ORB	18	96		336	353	370	522	556
MDH249614X	PC, SN, ORB	24			383	410	432	597	641
MDH309614X	PC, SN, ORB	30		436	468	497	672	728	
MDH369614X	PC, SN, ORB	36		488	527	560	751	819	

MODULES - Shelves

Shelf - Adjustable

Module includes:

- (3) Fixed shelves
- (4) Adjustable shelves

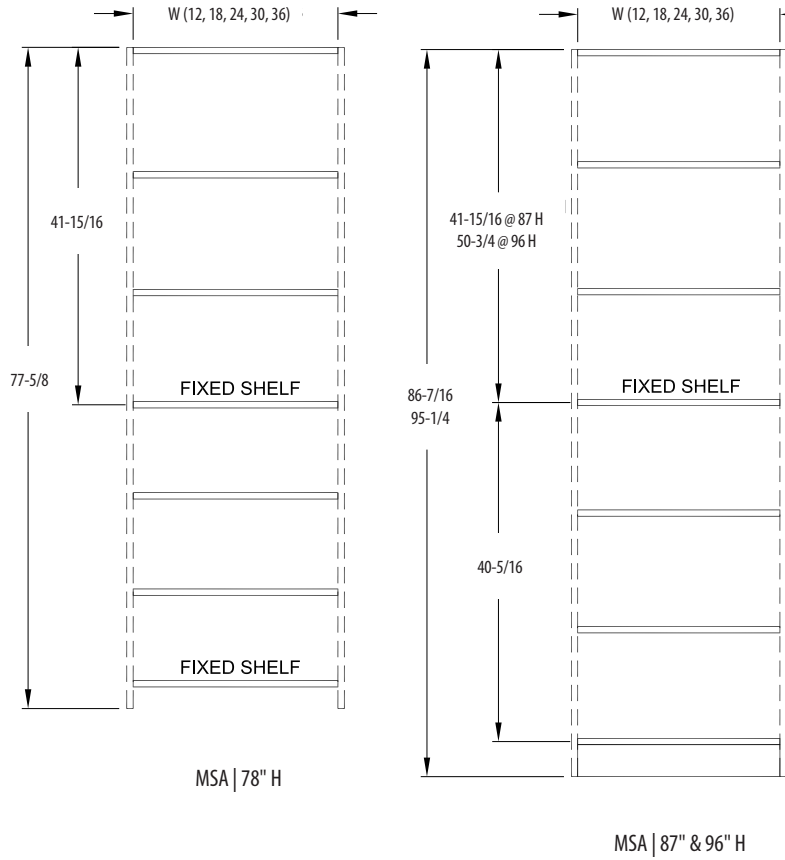
87" and 96" H modules also include:

- (1) Bottom shelf
- (1) 3-3/4" H toe front
- (1) additional adjustable shelf on 96" H

Modification Limits

RW

Reduce Width: Min 12-1/4" in 1/4" increments



Standard door sizes for upper openings (order loose doors)

78" H		
W	Qty	Size
12	1	DR1341 (L/R)
18	1	DR1941 (L/R)
24	2	DR1241
30	2	DR1541
36	2	DR1841

87" H		
W	Qty	Size
12	1	DR1341 (L/R)
18	1	DR1941 (L/R)
24	2	DR1241
30	2	DR1541
36	2	DR1841

96" H		
W	Qty	Size
12	1	DR1350 (L/R)
18	1	DR1950 (L/R)
24	2	DR1250
30	2	DR1550
36	2	DR1850

Standard door sizes for lower openings - 87" & 96" H

87" & 96" H		
W	Qty	Size
12	1	DR1340 (L/R)
18	1	DR1940 (L/R)
24	2	DR1240
30	2	DR1540
36	2	DR1840

MODULES - Shelves

				Melamine			Wood (PBD)	Wood (PLY)
				1	2	3	4	5
SHELF - ADJUSTABLE				White	Caramel Chai Chocolate Creme	W. Alder W. Mahogany	All species & stains	All species & stains
Module	Width	Height	Depth					
MSA127814	12	78	14	298	327	346	595	643
MSA187814	18			339	382	417	695	767
MSA247814	24			382	441	488	797	892
MSA307814	30			429	500	560	892	1011
MSA367814	36			470	560	631	999	1141
MSA128714	12	87		319	349	368	648	697
MSA188714	18			361	405	443	751	826
MSA248714	24			405	466	516	856	955
MSA308714	30			455	527	590	955	1079
MSA368714	36			497	590	663	1065	1214
MSA129614	12	96		358	392	414	729	785
MSA189614	18			405	456	499	846	931
MSA249614	24			456	526	582	967	1079
MSA309614	30			512	595	667	1079	1219
MSA369614	36		560	667	750	1204	1374	

MODULES - Shelves

Shelf - Adjustable & Shoe

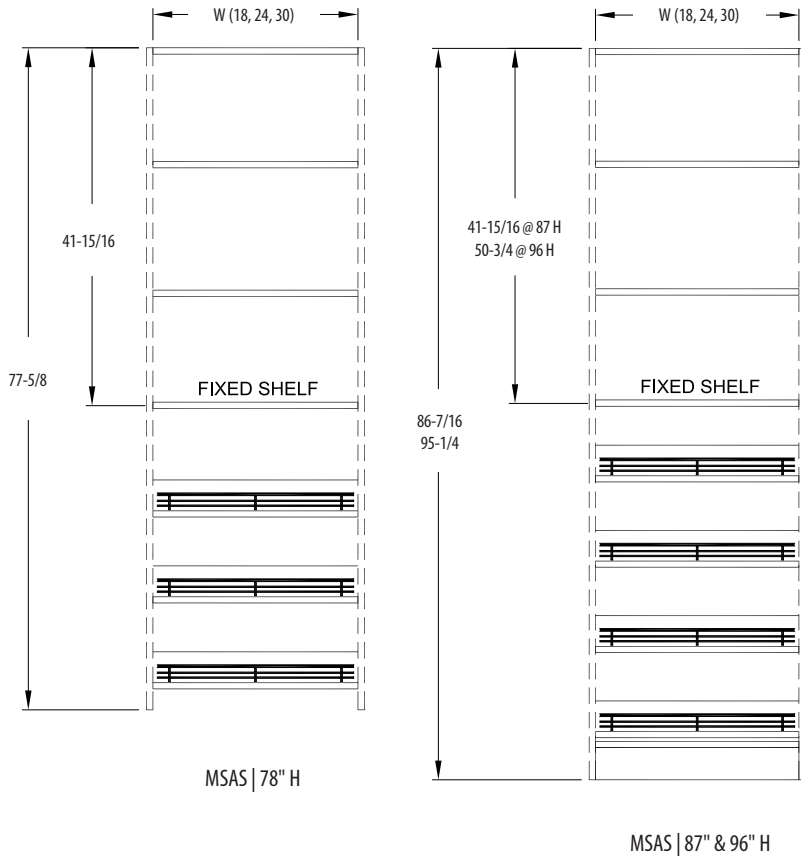
Modification Limits	
N/A	No modifications

Module includes:

- (2) Fixed shelves
- (2) Adjustable shelves
- (3) Shoe shelves

87" and 96" H modules also include:

- (1) Bottom shelf
- (1) 3-3/4" H toe front
- (1) additional shoe shelf



Standard door sizes for upper openings (order loose doors)

78" H			87" H			96" H		
W	Qty	Size	W	Qty	Size	W	Qty	Size
18	1	DR1941 (L/R)	18	1	DR1941 (L/R)	18	1	DR1950 (L/R)
24	2	DR1241	24	2	DR1241	24	2	DR1250
30	2	DR1541	30	2	DR1541	30	2	DR1550

MODULES - Shelves

PC = Polished Chrome SN = Satin Nickel ORB = Oil Rubbed Bronze					Melamine			Wood (PBD)	Wood (PLY)
					1	2	3	4	5
SHELF - ADJUSTABLE & SHOE					White	Caramel Chai Chocolate Creme	W. Alder W. Mahogany	All species & stains	All species & stains
<i>Module & finish required</i>									
Module	Finish (shoe fence)	Width	Height	Depth					
MSAS187814	PC, SN, ORB	18	78	14	456	500	536	812	884
MSAS247814	PC, SN, ORB	24			526	585	633	941	1036
MSAS307814	PC, SN, ORB	30			599	670	729	1062	1180
MSAS188714	PC, SN, ORB	18	87		619	677	724	1111	1206
MSAS248714	PC, SN, ORB	24			711	789	851	1280	1406
MSAS308714	PC, SN, ORB	30			807	901	980	1440	1598
MSAS189614	PC, SN, ORB	18	96		619	677	724	1111	1206
MSAS249614	PC, SN, ORB	24			711	789	851	1280	1406
MSAS309614	PC, SN, ORB	30			807	901	980	1440	1598

MODULES - Shelves

Shelf - Shoe

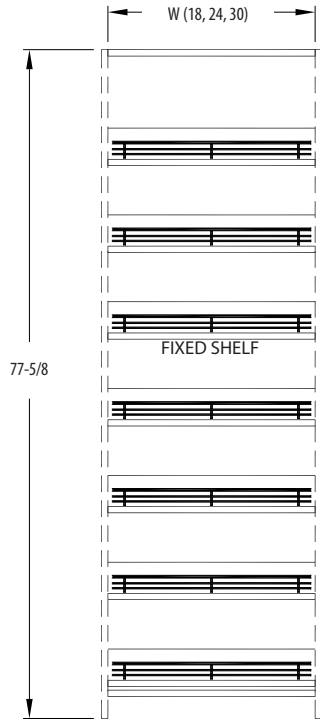
Module includes:

- (2) Fixed shelves
- (7) Shoe shelves

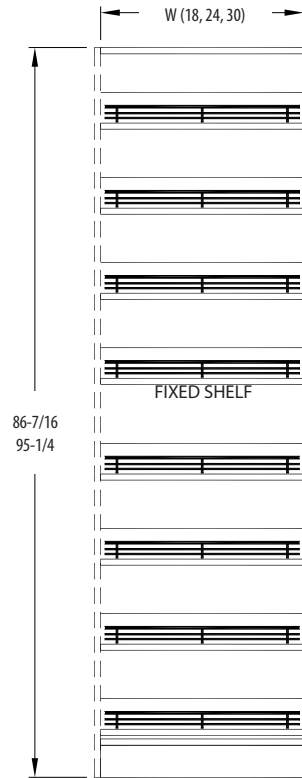
87" and 96" H modules also include:

- (1) Bottom shelf
- (1) 3-3/4" H toe front
- (1) additional shoe shelf

Modification Limits	
N/A	No modifications



MSS | 78" H



MSS | 87" & 96" H

Design/Install note:

- Recommend installing shelves from bottom up
- Suggested spacing between shelves:
Min. 7" (5 holes) to 10-3/4" (8 holes)
- More details on page 45

MODULES - Shelves

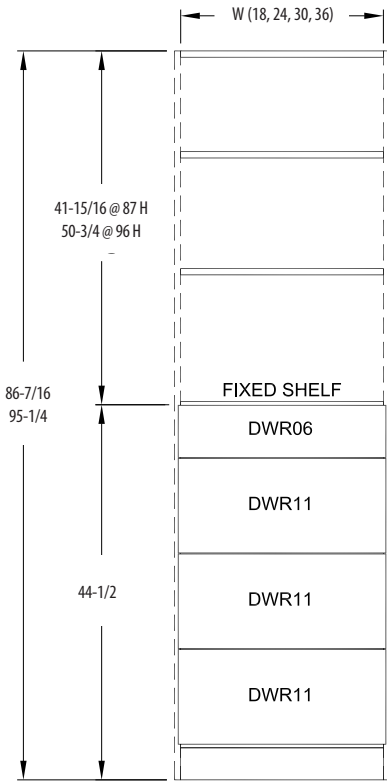
PC = Polished Chrome SN = Satin Nickel ORB = Oil Rubbed Bronze					Melamine			Wood (PBD)	Wood (PLY)
					1	2	3	4	5
SHELF - SHOE					White	Caramel Chai Chocolate Creme	W. Alder W. Mahogany	All species & stains	All species & stains
<i>Module & finish required</i>									
Module	Finish (shoe fence)	Width	Height	Depth					
MSS187814	PC, SN, ORB	18	78	14	714	772	817	1172	1264
MSS247814	PC, SN, ORB	24			831	907	968	1365	1487
MSS307814	PC, SN, ORB	30			951	1043	1119	1547	1699
MSS188714	PC, SN, ORB	18	87		823	889	941	1365	1470
MSS248714	PC, SN, ORB	24			957	1043	1113	1586	1725
MSS308714	PC, SN, ORB	30			1094	1197	1286	1793	1967
MSS189614	PC, SN, ORB	18	96		823	889	941	1365	1470
MSS249614	PC, SN, ORB	24			957	1043	1113	1586	1725
MSS309614	PC, SN, ORB	30			1094	1197	1286	1793	1967

MODULES - With Drawers

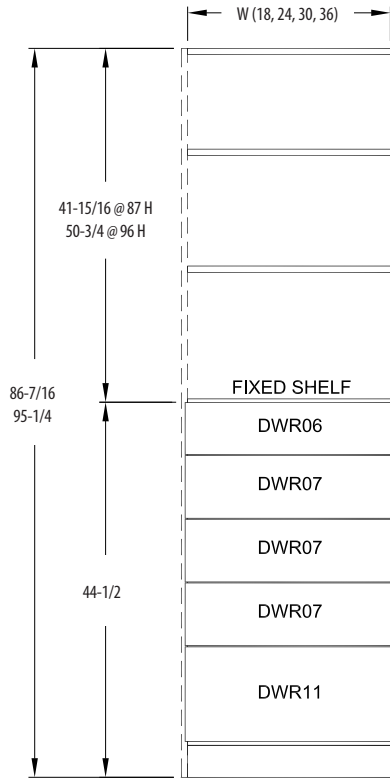
Drawers & Adjustable Shelves

Modification Limits	
N/A	No modifications

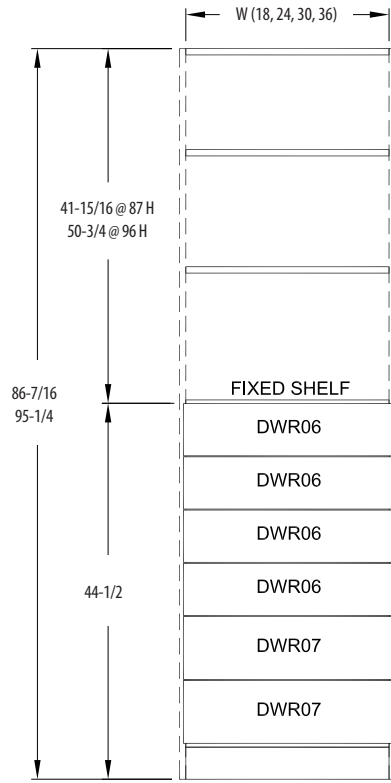
- Module includes:
- (1) Bottom shelf
 - (2) Fixed shelves
 - Adjustable shelves
87" H = (2) | 96" H = (3)
 - (4, 5 or 6) Drawers with fronts
 - (1) 3-3/4" H toe front



M4DA | 87" & 96" H



M5DA | 87" & 96" H



M6DA | 87" & 96" H

Standard door sizes for upper openings (order loose doors)

87" H			96" H		
W	Qty	Size	W	Qty	Size
18	1	DR1941 (L/R)	18	1	DR1950 (L/R)
24	2	DR1241	24	2	DR1250
30	2	DR1541	30	2	DR1550
36	2	DR1841	36	2	DR1850

MODULES - With Drawers

				Melamine			Wood (PBD)	Wood (PLY)
				1	2	3	4	5
DRAWERS & ADJUSTABLE SHELVES				White	Caramel Chai Chocolate Creme	W. Alder W. Mahogany	All species & stains	All species & stains
Module	Width	Height	Depth					
4 Drawer								
M4DA188714	18	87	14	1238	1338	1414	1782	1837
M4DA248714	24			1421	1555	1655	2066	2137
M4DA308714	30			1652	1818	1944	2395	2485
M4DA368714	36			1864	2069	2217	2714	2822
M4DA189614	18	96		1282	1389	1470	1877	1942
M4DA249614	24			1472	1615	1721	2176	2261
M4DA309614	30			1710	1886	2020	2519	2625
M4DA369614	36			1927	2145	2303	2853	2982
5 Drawer								
M5DA188714	18	87	14	1279	1382	1457	1845	1900
M5DA248714	24			1457	1591	1689	2117	2188
M5DA308714	30			1682	1850	1978	2442	2532
M5DA368714	36			1894	2098	2247	2763	2871
M5DA189614	18	96		1323	1433	1513	1940	2005
M5DA249614	24			1508	1650	1755	2227	2312
M5DA309614	30			1740	1918	2054	2566	2673
M5DA369614	36			1957	2174	2334	2902	3031
6 Drawer								
M6DA188714	18	87	14	1338	1450	1528	1942	1996
M6DA248714	24			1433	1565	1659	2101	2173
M6DA308714	30			1703	1867	1998	2478	2568
M6DA368714	36			1911	2117	2261	2792	2900
M6DA189614	18	96		1382	1501	1584	2037	2101
M6DA249614	24			1484	1625	1725	2212	2296
M6DA309614	30			1760	1935	2074	2602	2709
M6DA369614	36			1974	2193	2347	2931	3060

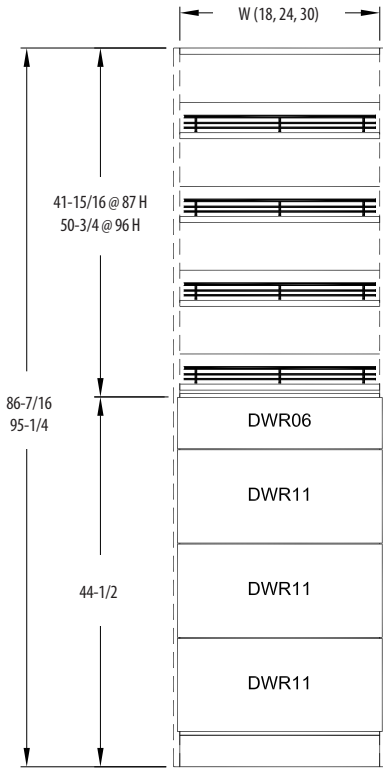
MODULES - With Drawers

Drawers & Shoe Shelves

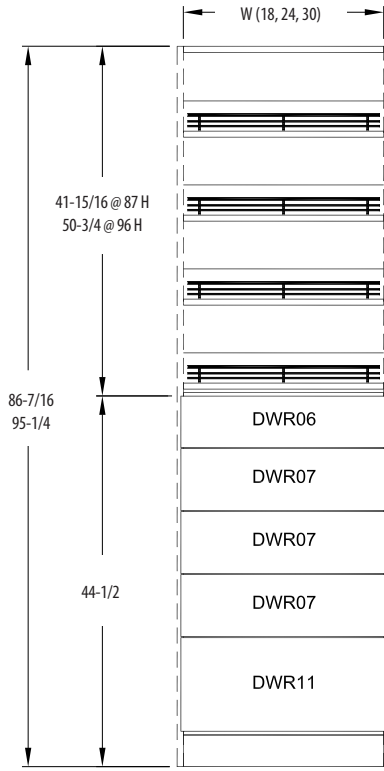
Modification Limits	
N/A	No modifications

Module includes:

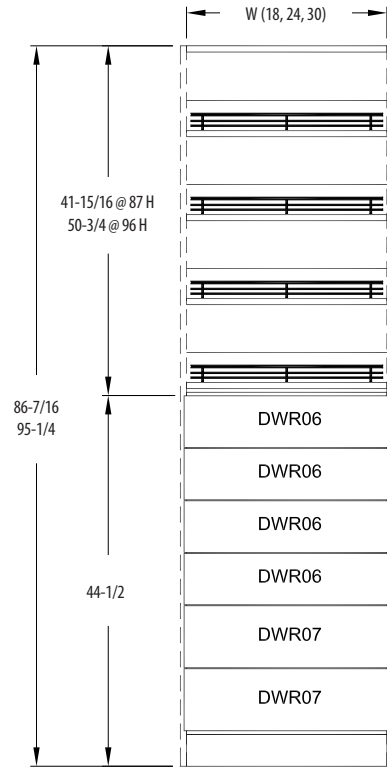
- (2) Fixed shelves
- (4) Shoe shelves
- (1) Bottom shelf
- (4, 5 or 6) Drawers with fronts
- (1) 3-3/4" H toe front



M4DS | 87" & 96" H



M5DS | 87" & 96" H



M6DS | 87" & 96" H

MODULES - With Drawers

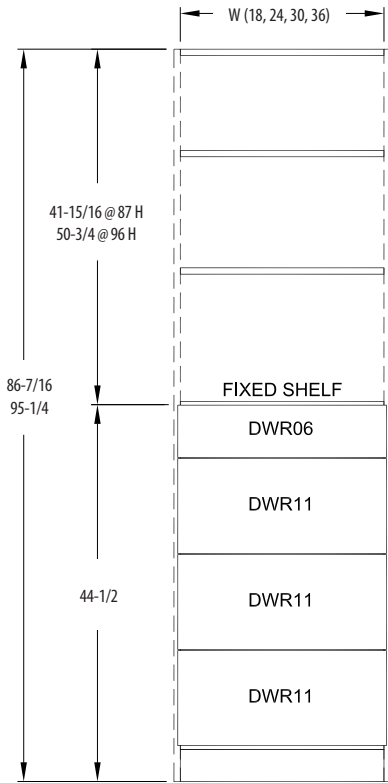
PC = Polished Chrome SN = Satin Nickel ORB = Oil Rubbed Bronze					Melamine			Wood (PBD)	Wood (PLY)
					1	2	3	4	5
DRAWERS & SHOE SHELVES					White	Caramel Chai Chocolate Creme	W. Alder W. Mahogany	All species & stains	All species & stains
<i>Module & finish required</i>									
Module	Finish (shoe fence)	Width	Height	Depth					
4 Drawer									
M4DS188714	PC, SN, ORB	18	87	14	1496	1610	1696	2142	2217
M4DS248714	PC, SN, ORB	24			1727	1877	1991	2490	2588
M4DS308714	PC, SN, ORB	30			2005	2191	2334	2880	3004
M4DS189614	PC, SN, ORB	18	96		1496	1610	1696	2142	2217
M4DS249614	PC, SN, ORB	24			1727	1877	1991	2490	2588
M4DS309614	PC, SN, ORB	30			2005	2191	2334	2880	3004
5 Drawer									
M5DS188714	PC, SN, ORB	18	87	14	1537	1654	1738	2205	2279
M5DS248714	PC, SN, ORB	24			1762	1913	2025	2541	2639
M5DS308714	PC, SN, ORB	30			2035	2223	2368	2927	3051
M5DS189614	PC, SN, ORB	18	96		1537	1654	1738	2205	2279
M5DS249614	PC, SN, ORB	24			1762	1913	2025	2541	2639
M5DS309614	PC, SN, ORB	30			2035	2223	2368	2927	3051
6 Drawer									
M6DS188714	PC, SN, ORB	18	87	14	1596	1721	1810	2301	2376
M6DS248714	PC, SN, ORB	24			1738	1888	1994	2525	2624
M6DS308714	PC, SN, ORB	30			2056	2240	2388	2963	3087
M6DS189614	PC, SN, ORB	18	96		1596	1721	1810	2301	2376
M6DS249614	PC, SN, ORB	24			1738	1888	1994	2525	2624
M6DS309614	PC, SN, ORB	30			2056	2240	2388	2963	3087

MODULES - Hutches

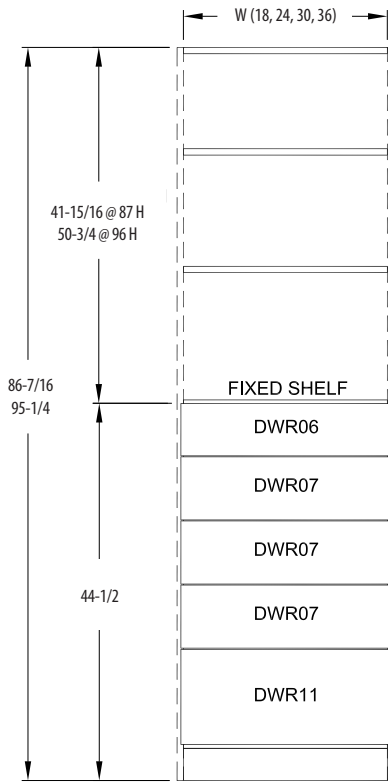
Drawers (22" D) & Adjustable Shelves (14" D)

Modification Limits	
N/A	No modifications

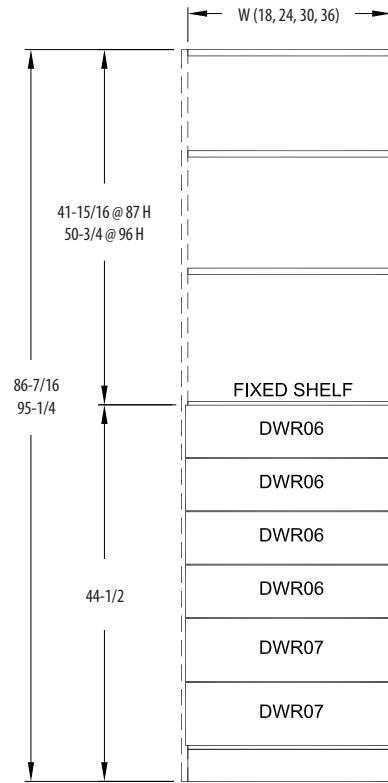
- Module includes:
- (1) Bottom shelf
 - (2) Fixed shelves
 - (2) Adjustable shelves
 - (1) 3-3/4" H toe front
 - (4, 5 or 6) Drawers with fronts



MH4D | 87" & 96" H

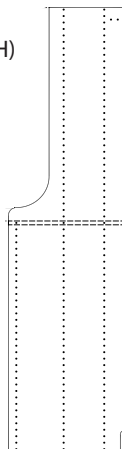


MH5D | 87" & 96" H



MH6D | 87" & 96" H

Note: For these modules order Curved Hutch Vertical Panels (VPCH)



MODULES - Hutches

				Melamine			Wood (PBD)	Wood (PLY)
				1	2	3	4	5
HUTCH - DRAWERS (22" D) & ADJUSTABLE SHELVES (14" D)				White	Caramel Chai Chocolate Creme	W. Alder W. Mahogany	All species & stains	All species & stains
Module	Width	Height	Depth					
4 Drawer								
MH4D188722	18	87	14 upper	1391	1506	1586	1971	2035
MH4D248722	24			1613	1754	1861	2291	2376
MH4D308722	30			1838	2020	2154	2632	2739
MH4D368722	36			2064	2283	2441	2973	3105
MH4D189622	18	96	22 lower	1391	1506	1586	1971	2035
MH4D249622	24			1613	1754	1861	2291	2376
MH4D309622	30			1838	2020	2154	2632	2739
MH4D369622	36			2064	2283	2441	2973	3105
5 Drawer								
MH5D188722	18	87	14 upper	1443	1559	1640	2042	2106
MH5D248722	24			1659	1799	1908	2356	2441
MH5D308722	30			1993	2186	2327	2834	2941
MH5D368722	36			2113	2330	2485	3036	3168
MH5D189622	18	96	22 lower	1443	1559	1640	2042	2106
MH5D249622	24			1659	1799	1908	2356	2441
MH5D309622	30			1993	2186	2327	2834	2941
MH5D369622	36			2113	2330	2485	3036	3168
6 Drawer								
MH6D188722	18	87	14 upper	1508	1630	1721	2142	2206
MH6D248722	24			1691	1830	1940	2403	2488
MH6D308722	30			1988	2179	2317	2834	2941
MH6D368722	36			2142	2361	2512	3083	3216
MH6D189622	18	96	22 lower	1508	1630	1721	2142	2206
MH6D249622	24			1691	1830	1940	2403	2488
MH6D309622	30			1988	2179	2317	2834	2941
MH6D369622	36			2142	2361	2512	3083	3216

MODULES - Baskets

Baskets & Adjustable Shelves

Module includes:

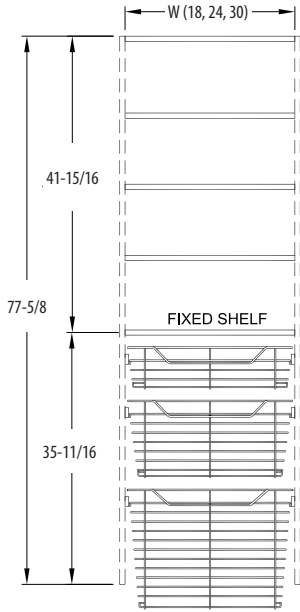
- (2) Fixed shelves
- (3) Adjustable shelves
- (3, 4 or 5) Wire baskets
(specify finish, up-charge may apply)

87" and 96" H modules also include:

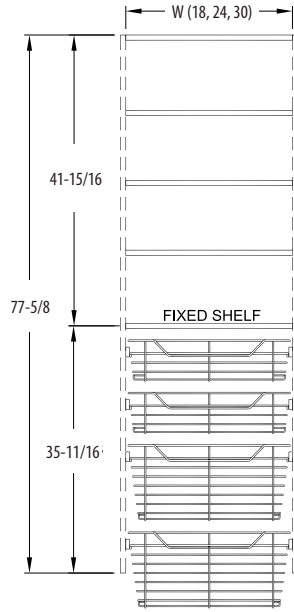
- (1) Bottom shelf
- (1) 3-3/4" H toe front

Modification Limits	
N/A	No modifications

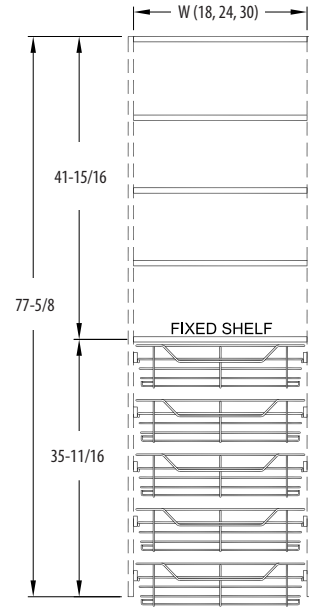
Note: door sizes for these modules are on next page



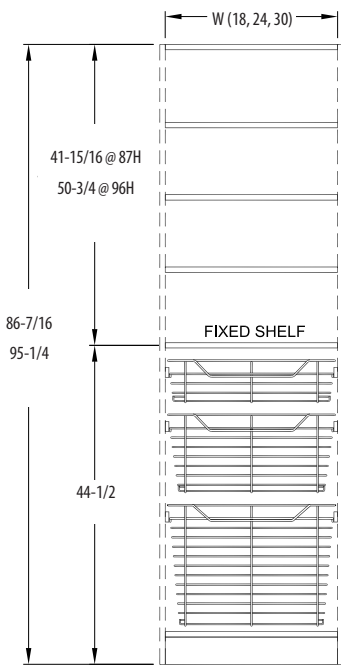
M3BA | 78" H



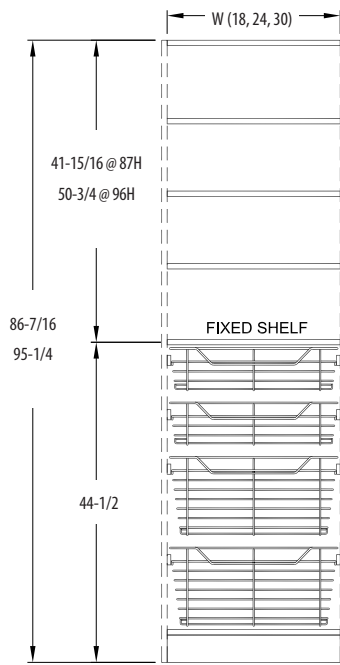
M4BA | 78" H



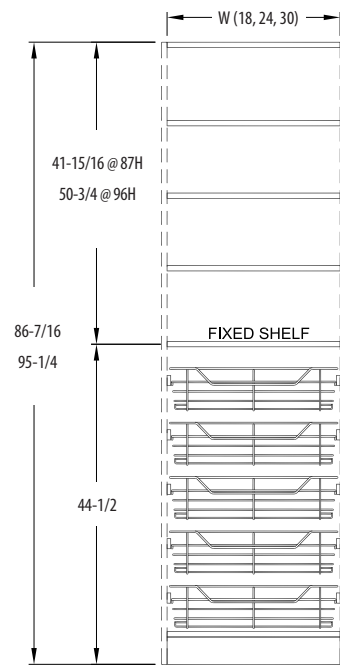
M5BA | 78" H



M3BA | 87" & 96" H



M4BA | 87" & 96" H



M5BA | 87" & 96" H

MODULES - Baskets

Price Note: Finish up-charge applied per module PC = Polished Chrome (\$0) SN = Satin Nickel (\$119) ORB = Oil Rubbed Bronze (\$68)					Melamine			Wood (PBD)	Wood (PLY)					
					1	2	3	4	5					
3 BASKETS & ADJUSTABLE SHELVES					White	Caramel Chai Chocolate Creme	W. Alder W. Mahogany	All species & stains	All species & stains					
<i>Module & finish required</i>														
Module	Finish	Width	Height	Depth										
M3BA187814	PC, SN, ORB	18	78	14						773	804	829	1028	1079
M3BA247814	PC, SN, ORB	24								929	972	1006	1226	1294
M3BA307814	PC, SN, ORB	30								1004	1055	1097	1335	1420
M3BA188714	PC, SN, ORB	18	87							850	887	919	1189	1253
M3BA248714	PC, SN, ORB	24								1013	1065	1107	1404	1489
M3BA308714	PC, SN, ORB	30								1096	1158	1213	1530	1637
M3BA189614	PC, SN, ORB	18	96							850	887	919	1189	1253
M3BA249614	PC, SN, ORB	24			1013	1065	1107	1404	1489					
M3BA309614	PC, SN, ORB	30			1096	1158	1213	1530	1637					
4 BASKETS & ADJUSTABLE SHELVES					899	928	953	1153	1204					
<i>Module & finish required</i>														
Module	Finish	Width	Height	Depth										
M4BA187814	PC, SN, ORB	18	78	14						1091	1133	1167	1387	1455
M4BA247814	PC, SN, ORB	24								1124	1175	1218	1455	1540
M4BA307814	PC, SN, ORB	30								965	1002	1035	1304	1369
M4BA188714	PC, SN, ORB	18	87							1165	1218	1260	1557	1642
M4BA248714	PC, SN, ORB	24								1208	1270	1325	1642	1749
M4BA308714	PC, SN, ORB	30								965	1002	1035	1304	1369
M4BA189614	PC, SN, ORB	18	96							1165	1218	1260	1557	1642
M4BA249614	PC, SN, ORB	24			1208	1270	1325	1642	1749					
M4BA309614	PC, SN, ORB	30			987	1018	1043	1241	1292					
5 BASKETS & ADJUSTABLE SHELVES					1187	1230	1264	1484	1552					
<i>Module & finish required</i>														
Module	Finish	Width	Height	Depth										
M5BA187814	PC, SN, ORB	18	78	14						1280	1331	1374	1611	1696
M5BA247814	PC, SN, ORB	24								1063	1101	1133	1403	1467
M5BA307814	PC, SN, ORB	30								1270	1323	1365	1662	1747
M5BA188714	PC, SN, ORB	18	87							1372	1435	1489	1806	1913
M5BA248714	PC, SN, ORB	24								1063	1101	1133	1403	1467
M5BA308714	PC, SN, ORB	30								1270	1323	1365	1662	1747
M5BA189614	PC, SN, ORB	18	96							1372	1435	1489	1806	1913
M5BA249614	PC, SN, ORB	24			1270	1323	1365	1662	1747					
M5BA309614	PC, SN, ORB	30			987	1018	1043	1241	1292					

Standard door sizes for upper openings (order loose doors)

78" H			87" H			96" H		
W	Qty	Size	W	Qty	Size	W	Qty	Size
18	1	DR1941 (L/R)	18	1	DR1941 (L/R)	18	1	DR1950 (L/R)
24	2	DR1241	24	2	DR1241	24	2	DR1250
30	2	DR1541	30	2	DR1541	30	2	DR1550

MODULES - Baskets

Baskets & Shoe Shelves

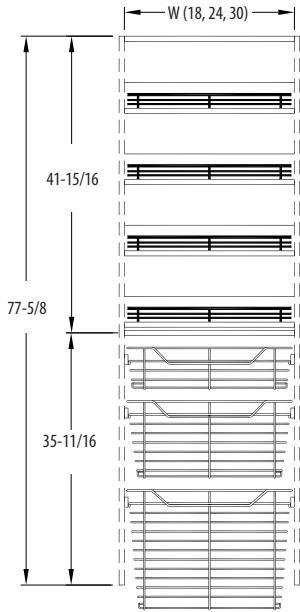
Module includes:

- (2) Fixed shelves
- (4) Shoe shelves
- (3, 4 or 5) Wire baskets
(specify finish, up-charge may apply)

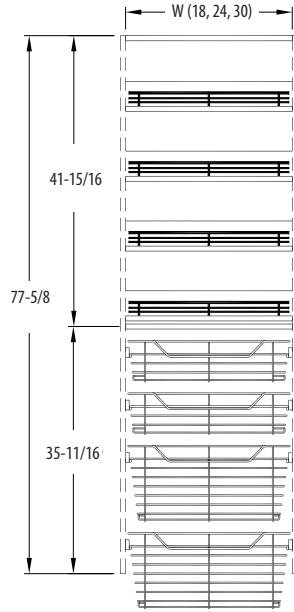
87" and 96" H modules also include:

- (1) Bottom shelf
- (1) 3-3/4" H toe front

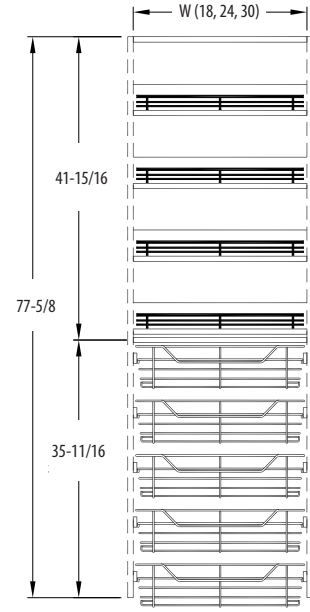
Modification Limits	
N/A	No modifications



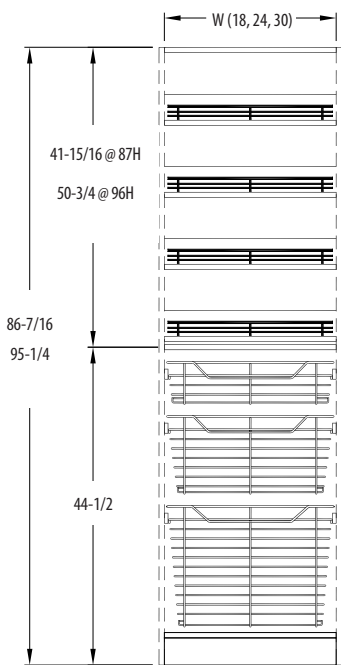
M3BS | 78" H



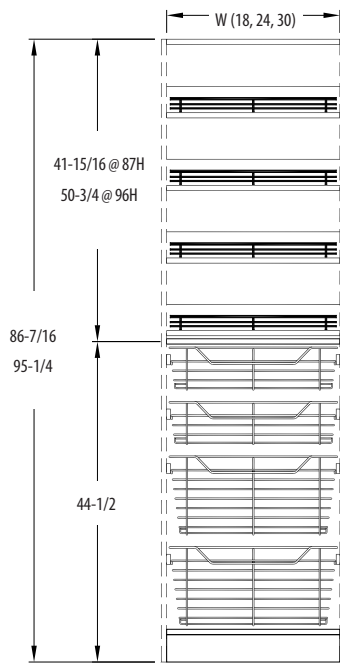
M4BS | 78" H



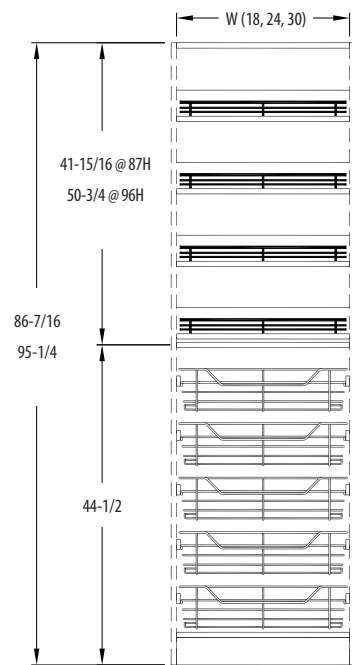
M5BS | 78" H



M3BS | 87" & 96" H



M4BS | 87" & 96" H



M5BS | 87" & 96" H

MODULES - Baskets

Price Note: Finish up-charge applied per module PC = Polished Chrome (\$0) SN = Satin Nickel (\$119) ORB = Oil Rubbed Bronze (\$68)					Melamine			Wood (PBD)	Wood (PLY)					
					1	2	3	4	5					
3 BASKETS & SHOE SHELVES					White	Caramel Chai Chocolate Creme	W. Alder W. Mahogany	All species & stains	All species & stains					
<i>Module & finish required</i>														
Module	Finish	Width	Height	Depth										
M3BS187814	PC, SN, ORB	18	78	14						987	1024	1055	1292	1353
M3BS247814	PC, SN, ORB	24								1184	1235	1275	1540	1621
M3BS307814	PC, SN, ORB	30								1299	1360	1411	1696	1798
M3BS188714	PC, SN, ORB	18	87							1063	1107	1145	1453	1528
M3BS248714	PC, SN, ORB	24								1267	1328	1377	1718	1816
M3BS308714	PC, SN, ORB	30								1391	1464	1526	1891	2015
M3BS189614	PC, SN, ORB	18	96							1063	1107	1145	1453	1528
M3BS249614	PC, SN, ORB	24			1267	1328	1377	1718	1816					
M3BS309614	PC, SN, ORB	30			1391	1464	1526	1891	2015					
4 BASKETS & SHOE SHELVES					1102	1140	1170	1408	1469					
M4BS187814	PC, SN, ORB	18	78	14						1336	1387	1428	1693	1774
M4BS247814	PC, SN, ORB	24								1411	1472	1523	1808	1910
M4BS307814	PC, SN, ORB	30								1179	1223	1260	1569	1643
M4BS188714	PC, SN, ORB	18	87							1420	1481	1530	1871	1969
M4BS248714	PC, SN, ORB	24								1503	1576	1638	2003	2127
M4BS308714	PC, SN, ORB	30								1179	1223	1260	1569	1643
M4BS189614	PC, SN, ORB	18	96							1420	1481	1530	1871	1969
M4BS249614	PC, SN, ORB	24								1503	1576	1638	2003	2127
M4BS309614	PC, SN, ORB	30												
5 BASKETS & SHOE SHELVES					1201	1238	1269	1506	1567					
M5BS187814	PC, SN, ORB	18	78	14						1442	1492	1533	1798	1879
M5BS247814	PC, SN, ORB	24								1576	1637	1688	1972	2074
M5BS307814	PC, SN, ORB	30								1277	1321	1358	1667	1742
M5BS188714	PC, SN, ORB	18	87							1525	1586	1635	1976	2074
M5BS248714	PC, SN, ORB	24								1667	1740	1803	2167	2291
M5BS308714	PC, SN, ORB	30								1277	1321	1358	1667	1742
M5BS189614	PC, SN, ORB	18	96							1525	1586	1635	1976	2074
M5BS249614	PC, SN, ORB	24								1667	1740	1803	2167	2291
M5BS309614	PC, SN, ORB	30												

MODULES - Hampers

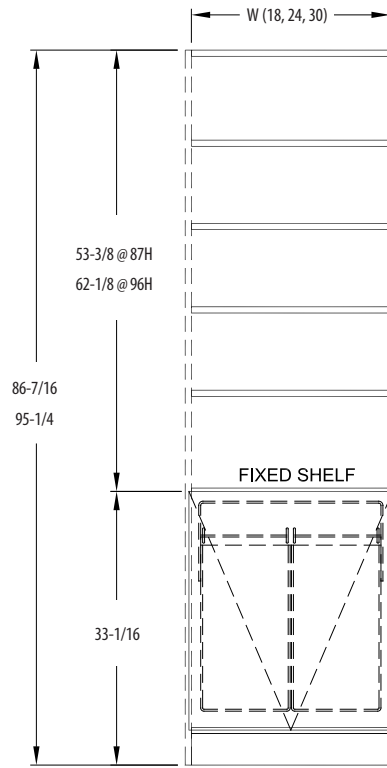
Hamper Tilt-out & Adjustable Shelves

Module includes:

- Hamper Tilt-out (HTO)
- (2) Fixed shelves
- (4) Adjustable shelves
- (1) Bottom shelf
- (1) 3-3/4" H toe front

Note: Hamper door must be ordered loose

Hamper Door (DR__HTO)		
W	Qty	Size
18	1	DR1928HTO
24	1	DR2528HTO
30	1	DR3128HTO



MHTA | 87" & 96" H

Modification Limits	
N/A	No modifications

HAMPER TILT-OUT W/ADJUSTABLE SHELVES

Module	Width	Height	Depth
MHTA188714	18	87	14
MHTA248714	24		
MHTA308714	30		
MHTA189614	18	96	
MHTA249614	24		
MHTA309614	30		

Melamine			Wood (PBD)	Wood (PLY)
1	2	3	4	5
White	Caramel Chai Chocolate Creme	W. Alder W. Mahogany	All species & stains	All species & stains
533	582	624	974	1058
607	677	733	1118	1230
672	755	826	1238	1379
533	582	624	974	1058
607	677	733	1118	1230
672	755	826	1238	1379

Standard door sizes for upper openings (order loose doors)

87" H			96" H		
W	Qty	Size	W	Qty	Size
18	1	DR1952 (L/R)	18	1	DR1961 (L/R)
24	2	DR1252	24	2	DR1261
30	2	DR1552	30	2	DR1561

MODULES - Hampers

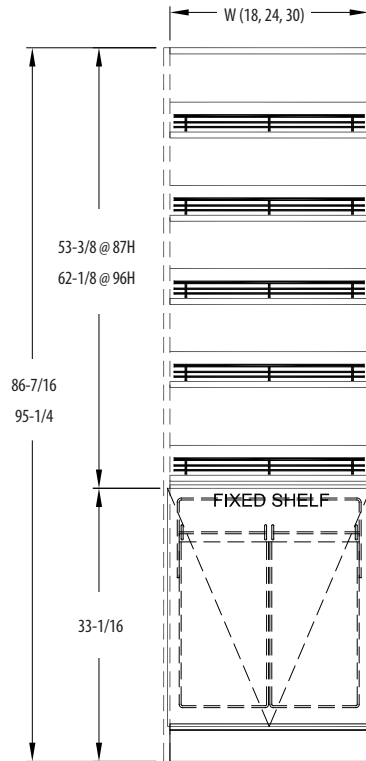
Hamper Tilt-out & Shoe Shelves

Module includes:

- Hamper Tilt-out (HTO)
- (2) Fixed shelves
- (5) Shoe shelves
- (1) Bottom shelf
- (1) 3-3/4" H toe front

Note: Hamper door must be ordered loose

Hamper Door (DR__HTO)		
W	Qty	Size
18	1	DR1928HTO
24	1	DR2528HTO
30	1	DR3128HTO



Modification Limits

N/A

No modifications

PC = Polished Chrome | SN = Satin Nickel | ORB = Oil Rubbed Bronze

HAMPER TILT-OUT & SHOE SHELVES

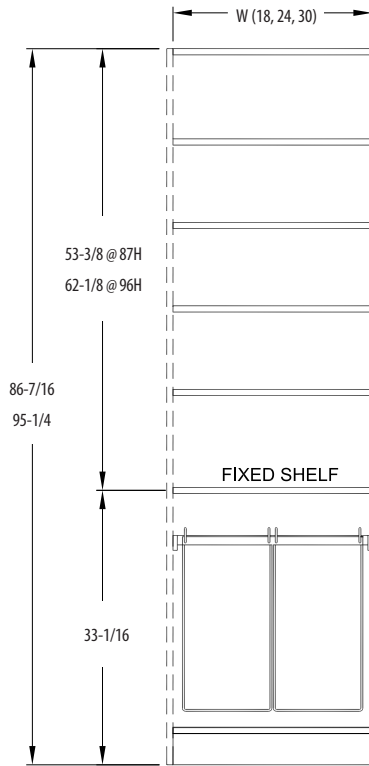
Module & finish required					Melamine			Wood (PBD)	Wood (PLY)
					1	2	3	4	5
Module	Finish (shoe fence)	Width	Height	Depth	White	Caramel Chai Chocolate Creme	W. Alder W. Mahogany	All species & stains	All species & stains
MHTS188714	PC, SN, ORB	18	87	14	734	785	828	1175	1260
MHTS248714	PC, SN, ORB	24			853	923	979	1364	1476
MHTS308714	PC, SN, ORB	30			960	1043	1114	1526	1667
MHTS189614	PC, SN, ORB	18	96		734	785	828	1175	1260
MHTS249614	PC, SN, ORB	24			853	923	979	1364	1476
MHTS309614	PC, SN, ORB	30			960	1043	1114	1526	1667

MODULES - Hampers

Hamper Pull-out & Adjustable Shelves

Module includes:

- Hamper Pull-out (HPO)
- (2) Fixed shelves
- (4) Adjustable shelves
- (1) Bottom shelf
- (1) 3-3/4" H toe front



MHPA | 87" & 96" H

Modification Limits

N/A No modifications

HAMPER PULL-OUT W/ADJUSTABLE SHELVES

Module	Width	Height	Depth
MHPA188714	18	87	14
MHPA248714	24		
MHPA308714	30		
MHPA189614	18	96	
MHPA249614	24		
MHPA309614	30		

Melamine			Wood (PBD)	Wood (PLY)
1	2	3	4	5
White	Caramel Chai Chocolate Creme	W. Alder W. Mahogany	All species & stains	All species & stains
858	902	940	1248	1323
977	1038	1087	1428	1526
1116	1189	1252	1616	1740
858	902	940	1248	1323
977	1038	1087	1428	1526
1116	1189	1252	1616	1740

Standard door sizes for upper openings (order loose doors)

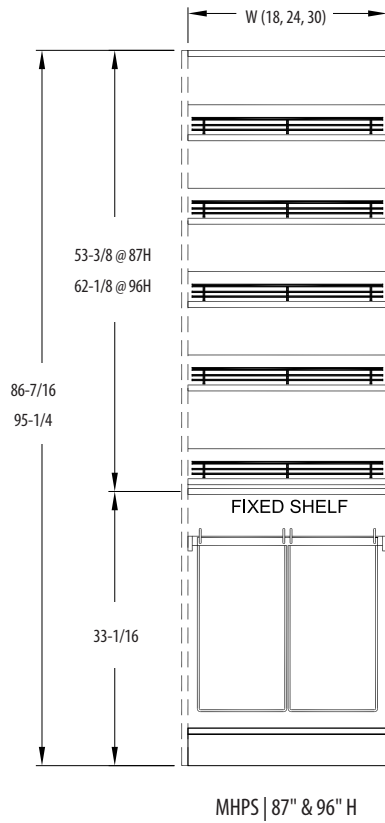
87" H			96" H		
W	Qty	Size	W	Qty	Size
18	1	DR1952 (L/R)	18	1	DR1961 (L/R)
24	2	DR1252	24	2	DR1261
30	2	DR1552	30	2	DR1561

MODULES - Hampers

Hamper Pull-out & Shoe Shelves

Module includes:

- Hamper Pull-out (HPO)
- (2) Fixed shelves
- (5) Shoe shelves
- (1) Bottom shelf
- (1) 3-3/4" H toe front



Modification Limits	
N/A	No modifications

PC = Polished Chrome | SN = Satin Nickel | ORB = Oil Rubbed Bronze

HAMPER PULL-OUT & SHOE SHELVES

Module & finish required					Melamine			Wood (PBD)	Wood (PLY)
					1	2	3	4	5
Module	Finish (shoe fence)	Width	Height	Depth	White	Caramel Chai Chocolate Creme	W. Alder W. Mahogany	All species & stains	All species & stains
MHPS188714	PC, SN, ORB	18	87	14	1114	1165	1208	1555	1640
MHPS248714	PC, SN, ORB	24			1282	1352	1408	1793	1905
MHPS308714	PC, SN, ORB	30			1470	1554	1625	2037	2178
MHPS189614	PC, SN, ORB	18	96		1114	1165	1208	1555	1640
MHPS249614	PC, SN, ORB	24			1282	1352	1408	1793	1905
MHPS309614	PC, SN, ORB	30			1470	1554	1625	2037	2178

MODULES - Corner

Corner Adjustable Shelves - Radius & Angle

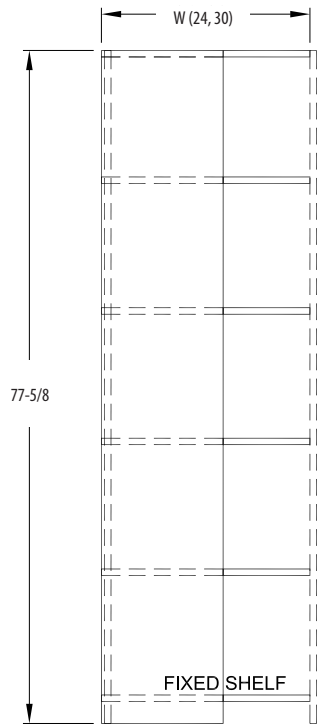
Modification Limits	
N/A	No modifications

Module includes:

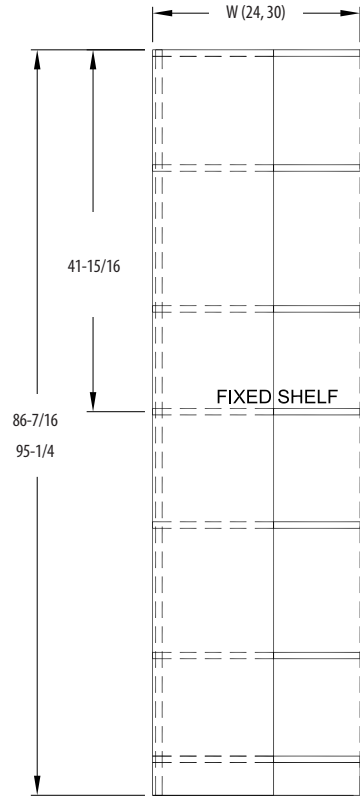
- (2) Fixed corner shelves
- (4) Adjustable corner shelves
- Requires (3) 14" deep vertical panels - order separately

87" and 96" H modules also include:

- (1) Bottom corner shelf
- (1) 3-3/4" H toe front
- 96" H: (1) additional adjustable shelf - Radius corner modules only



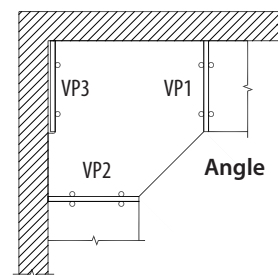
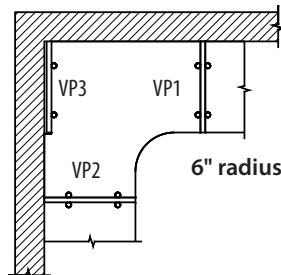
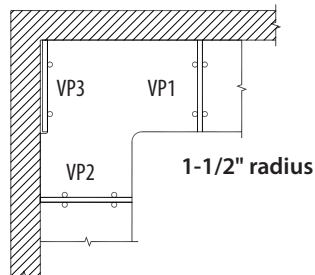
(L shown)
MCSU_L | 78" H
MC6R_L | 78" H
MCAS_L | 78" H



(L shown)
MCSU_L | 87" & 96" H
MC6R_L | 87" & 96" H
MCAS_L | 87" & 96" H

Specify L or R orientation (left shown)

Top View: Installed between 2 vertical panels and a third vertical panel in corner



MODULES - Corner

					Melamine			Wood (PBD)	Wood (PLY)
					1	2	3	4	5
CORNER ADJUSTABLE SHELVES - 1-1/2" RADIUS					White	Caramel Chai Chocolate Creme	W. Alder W. Mahogany	All species & stains	All species & stains
<i>Module & orientation required</i>									
Module	Orientation	Width	Height	Depth					
MCSU247814	L or R	24	78	14	482	563	631	977	1113
MCSU307814	L or R	30			614	743	848	1296	1516
MCSU248714	L or R	24	87		614	712	792	1258	1423
MCSU308714	L or R	30			768	921	1046	1632	1893
MCSU249614	L or R	24	96		690	802	894	1418	1604
MCSU309614	L or R	30			867	1041	1184	1844	2142
CORNER ADJUSTABLE SHELVES - 6" RADIUS									
MC6R247814	L or R	24	78	14	482	563	631	977	1113
MC6R307814	L or R	30			614	743	848	1296	1516
MC6R248714	L or R	24	87		614	712	792	1258	1423
MC6R308714	L or R	30			768	921	1046	1632	1893
MC6R249614	L or R	24	96		690	802	894	1418	1604
MC6R309614	L or R	30			867	1041	1184	1844	2142
CORNER ADJUSTABLE SHELVES - ANGLE									
MCAS247814	L or R	24	78	14	505	600	678	1075	1241
MCAS248714	L or R	24	87		527	624	704	1131	1301
MCAS249614	L or R	24	96		527	624	704	1131	1301

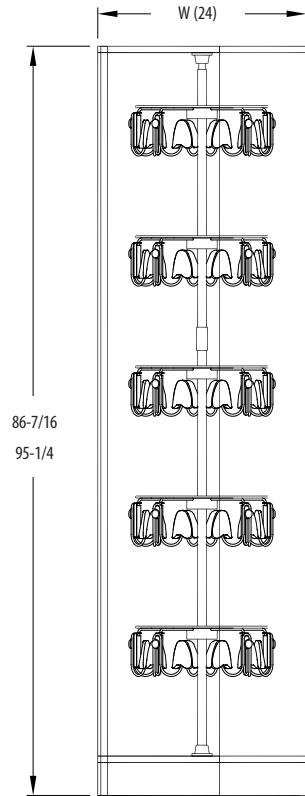
MODULES - Corner

Corner with Lazy Shoe-Zen

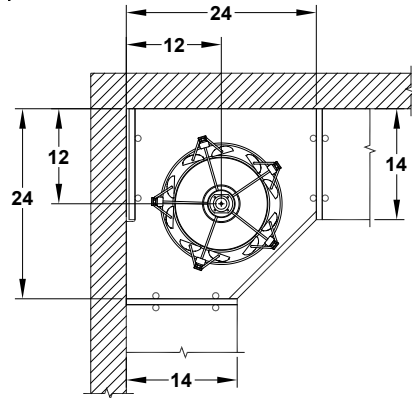
Modification Limits	
N/A	No modifications

Module includes:

- (1) Lazy Shoe-Zen (CLSZ), polished chrome
Women's (W) and Men's (M) sizes
 - 5 rotating tiers
 - (W) holds 25 pairs of shoes
 - (M) holds 20 pairs of shoes
- (1) Fixed corner shelf
- (1) Bottom corner shelf
- (1) 3-3/4" H toe front
- Requires (3) 14" deep vertical panels
- order separately



Top View - Left Shown
Installed between 2 vertical panels and
a third vertical panel in left corner



(L shown)
MCSZ_L | 87" & 96" H

					Melamine			Wood (PBD)	Wood (PLY)
					1	2	3	4	5
CORNER W/ LAZY SHOE-ZEN - WOMEN'S					White	Caramel Chai Chocolate Creme	W. Alder W. Mahogany	All species & stains	All species & stains
<i>Module & orientation required</i>									
Module	Orientation	Width	Height	Depth					
MCSZW248714	L or R	24	87	14	2235	2264	2286	2432	2483
MCSZW249614	L or R		96		2235	2264	2286	2432	2483
CORNER W/ LAZY SHOE-ZEN - MEN'S					2117	2145	2167	2313	2364
<i>Module & orientation required</i>									
Module	Orientation	Width	Height	Depth					
MCSZM248714	L or R	24	87	14	2117	2145	2167	2313	2364
MCSZM249614	L or R		96		2117	2145	2167	2313	2364

MODULES - Corner

Corner with Spiral Clothes Rack

Module includes:

- Spiral Clothes Rack (SCR), polished chrome
- (1) Fixed corner shelf
- (1) Bottom corner shelf
- (1) 3-3/4" H toe front
- Requires (3) 14" deep vertical panels - order separately

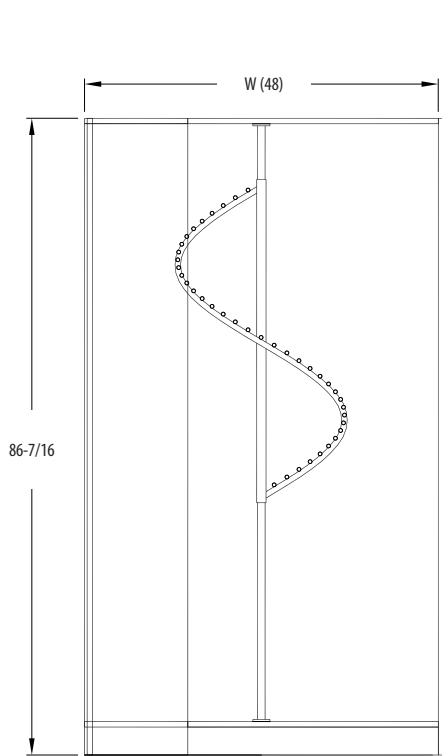
96" H module also include:

- (1) additional fixed corner shelf, above the SCR (see image)

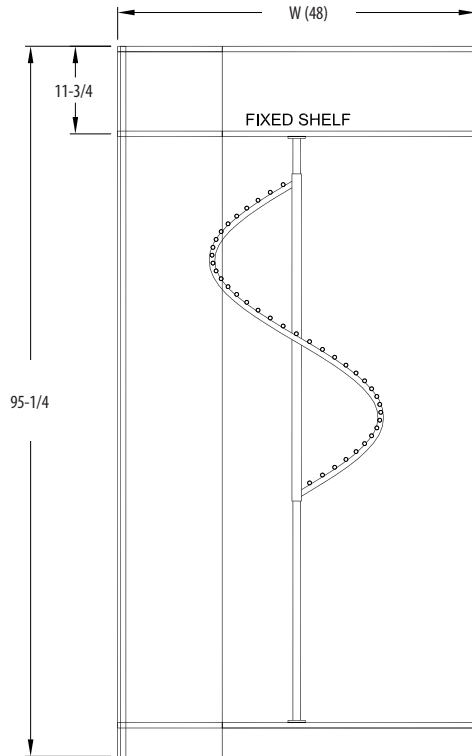
Modification Limits

N/A

No modifications



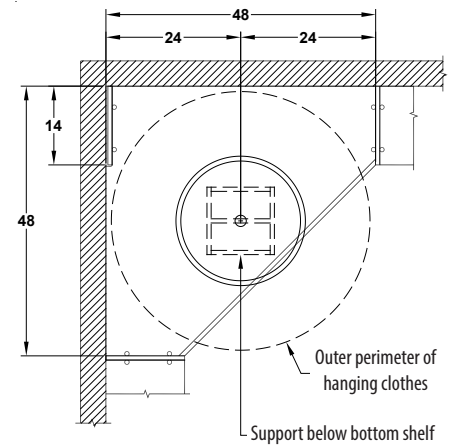
(L shown)
MCSCR_L | 87" H



(L shown)
MCSCR_L | 96" H

Top View - Left Shown

Installed between 2 vertical panels and a third vertical panel in left corner



Note: Recommend installing additional support under clothes rack, below the bottom shelf

CORNER W/ SPIRAL CLOTHES RACK					Melamine			Wood (PBD)	Wood (PLY)
					1	2	3	4	5
<i>Module & orientation required</i>					White	Caramel Chai Chocolate Creme	W. Alder W. Mahogany	All species & stains	All species & stains
Module	Orientation	Width	Height	Depth					
MCSCR488714	L or R	48	87	14	1289	1401	1498	1852	2054
MCSCR489614	L or R		96		1484	1649	1789	2298	2593

MODULES - Open

Open

48" and 78" H modules include:

- (2) Fixed shelves

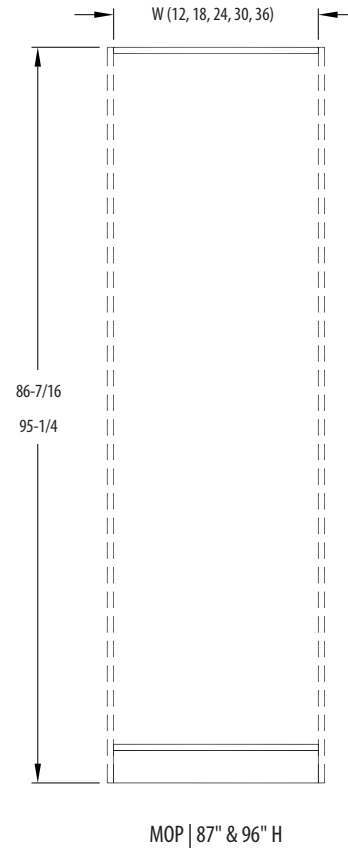
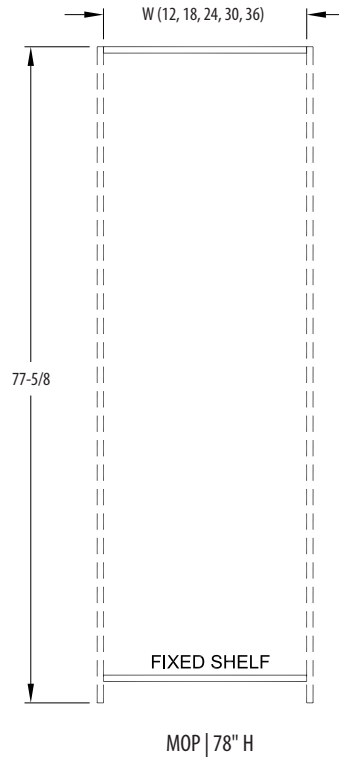
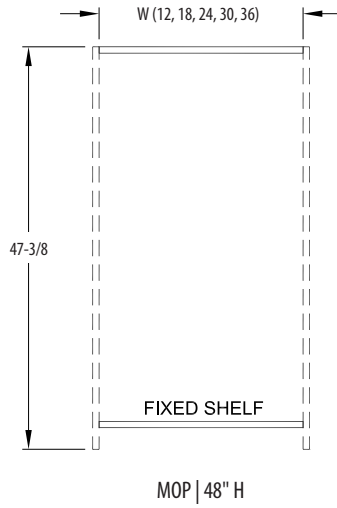
87" and 96" H modules include:

- (1) Fixed shelf
- (1) Bottom shelf
- (1) 3-3/4" H toe front

Modification Limits

RW

Reduce Width: Min 12-1/4"
in 1/4" increments



MODULES - Open

				Melamine			Wood (PBD)	Wood (PLY)
				1	2	3	4	5
OPEN				White	Caramel Chai Chocolate Creme	W. Alder W. Mahogany	All species & stains	All species & stains
Module	Width	Height	Depth					
MOP124814	12	48	14	95	105	109	180	193
MOP184814	18			109	119	129	210	231
MOP244814	24			119	136	149	237	265
MOP304814	30			132	153	170	265	298
MOP364814	36			146	170	190	295	336
MOP127814	12	78		95	105	109	180	193
MOP187814	18			109	119	129	210	231
MOP247814	24			119	136	149	237	265
MOP307814	30			132	153	170	265	298
MOP367814	36			146	170	190	295	336
MOP127814	12	87		115	127	131	232	248
MOP188714	18			131	142	154	266	290
MOP248714	24			142	161	176	297	327
MOP308714	30			158	180	200	327	366
MOP368714	36		173	200	222	361	409	
MOP129614	12	96	115	127	131	232	248	
MOP189614	18		131	142	154	266	290	
MOP249614	24		142	161	176	297	327	
MOP309614	30		158	180	200	327	366	
MOP369614	36		173	200	222	361	409	

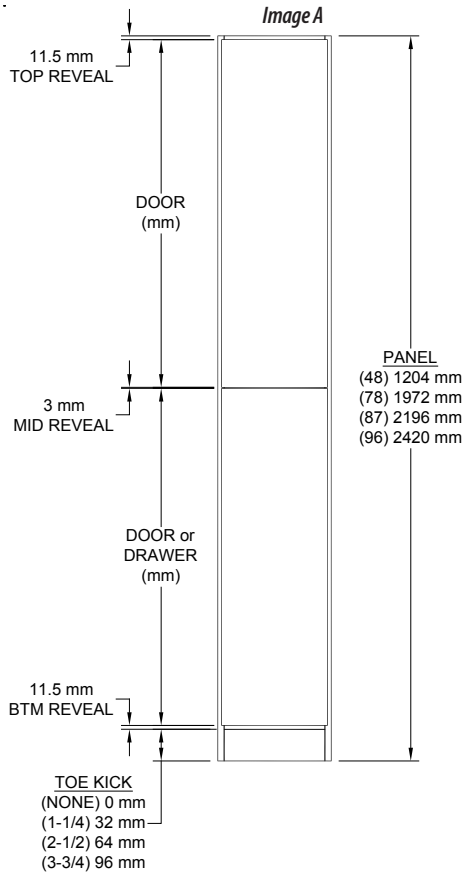
MODULES - "How to" calculate custom door/drawer configurations

Vertical panels are pre-drilled in 32mm increments which allow components to be installed at various heights. When designing custom modules that include stacking drawers and/or doors, we recommend measuring in metric to accurately calculate height dimensions.

Calculation

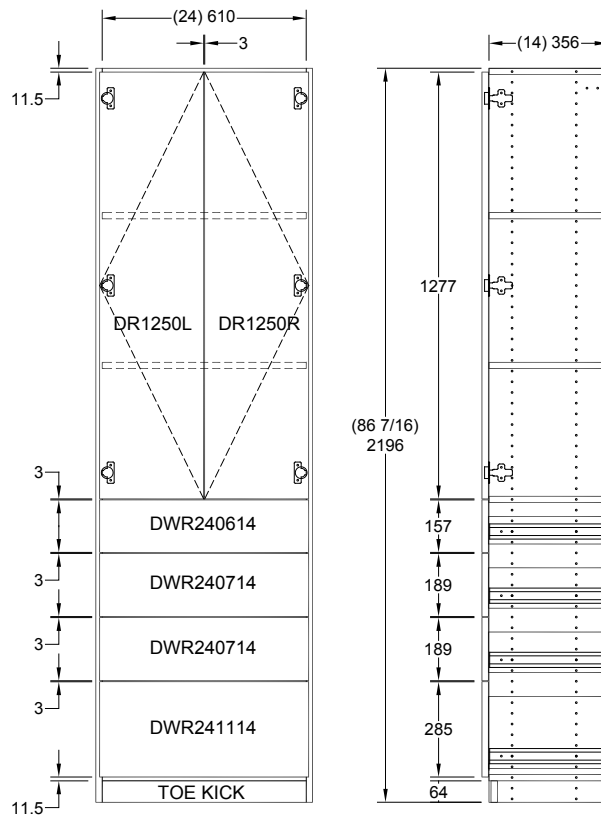
1. Select quantity of doors or drawers required for the module (see chart for heights)
2. Determine net panel height by subtracting top and bottom reveals from total panel height (image A)
 - VPs with square bottom corner: subtract 23mm
 - VPs with RB2 option: subtract 64mm
3. Subtract 3mm for each mid reveal between doors and drawer fronts
4. Subtract height of toe front, if applicable (image A)
5. Verify that the total dimension of doors, drawers, reveals, and toe fronts equal total panel height (see example)

- **Note:** Doors and drawers are available in standard widths only



Door & Drawer front heights (mm/inches)		
Doors (nominal H)	Actual height (mm)	Actual height (inches)
DR_12	317	12-1/2
DR_20	509	20-1/16
DR_25	637	25-1/16
DR_28	733	28-7/8
DR_36	925	36-7/16
DR_40	1021	40-3/16
DR_41	1053	41-7/16
DR_45	1149	45-1/4
DR_50	1277	50-1/4
DR_52	1341	52-13/16
DR_61	1565	61-5/8
Drawers (nominal H)		
DWR_06_	157	6-3/16
DWR_07_	189	7-7/16
DWR_11_	285	11-1/4

Example: 24"W x 87" H module with doors, drawers and TF-2-1/2



COMPONENTS - General Information

PANELS and SHELVES

- Vertical Panels (VP), shelves, and Toe Fronts (TF) are 3/4" thick
- Finished surfaces are available in wood veneer or melamine (see page 38)
- Particleboard (PBD) substrate standard
- Wood components can upgrade to a Plywood (PLY) substrate
- Panels come standard with square lower front corners, suspension rail notch*, and edge tape on front, top and bottom edges
- * Panels may be ordered without a notch for a finished appearance at the end of a run (select NOSRN option)
- Included (loose) with each panel:
 - Suspension Bracket (SB-),
 - Suspension Bracket Covers (SBC-), (compatible color is pre-determined)
- 32mm mounting holes are drilled on one side or through the panel depending on orientation specified
- Panel orientation (Left, Center, Right, Left through or Right through) must be specified when ordering

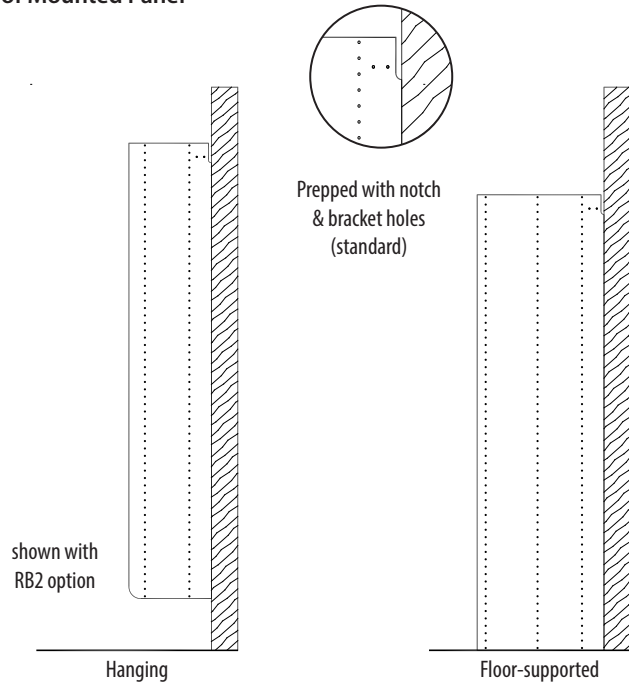
SUSPENSION RAIL SUPPORT SYSTEM

- All vertical panels (hanging or floor-supported) are designed to be secured to wall using a suspension rail (SR98)
- SR98 must be ordered separately
- 98" long rail includes 2 wall anchors (additional available loose)
- Cut rail(s) to size at installation site
- Plastic or deluxe rail covers disguise the rail between panels (order separately)
- Top back corner of each vertical panel is prepped with holes to easily mount a suspension bracket
- Panels are notched to allow the suspension rail to pass through
- For extra support order additional:
 - Angle Support "L" Brackets (ASLB-)
 - Wall Anchors (WA-Z)

FINISHED BACK PANELS

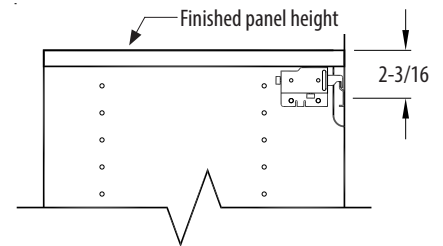
- Walls can be finished with custom size panels that complement components and provide an even surface for installation
- Apply behind VPs, not between them
- Order 1/4" thick CLCPs, specify sizes and refer to Installation Instructions

Side View of Mounted Panel



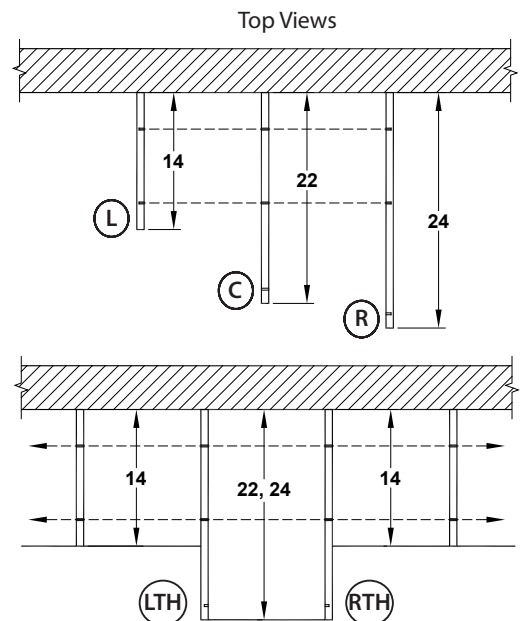
Suspension Rail Mounting Location

- Mount suspension rail so center line of rail is 2-3/16 below finished panel height
- For floor-supported panels at 87" and 96" H, center point is:
 - 87" = 84-1/4"
 - 96" = 93-1/16"



Panel Orientation

- Identifies which side the system holes will be drilled on
- System holes line up when combining different panel depths
- See individual VP pages for allowances
- Orientation options:
 - L: solid on left, holes on right
 - C: holes drilled through panel
 - R: solid on right, holes on left
 - LTH: solid on left front, holes on right front, back two rows are drilled through
 - RTH: solid on right front, holes on left front, back two rows are drilled through



COMPONENTS - Price, Color and Panel Options

Price Category and Color Guide

- Price categories are grouped by material and colors

MELAMINE		
COLOR	SUBSTRATE	PRICE CATEGORY
White	PBD	1
Caramel Chai Chocolate Creme	PBD	2
Western Alder Windsor Mahogany	PBD	3

WOOD			
SPECIES	COLOR	SUBSTRATE	PRICE CATEGORY
Alder	See stain colors	PBD	4
Beech			
Cherry		PLY	5
Maple			
Oak			

STAIN COLORS (available on all wood species)		
Caraway	Graphite	Natural
Cayenne	Hazelnut	Pecan
Chicory	Honey	Sable
Cinnamon	Java	Sea Drift
Dune	Kona	Toffee
Espresso		
STAIN COLORS (available on Maple Only)		
Charcoal	Shadow	

Gloss: only Standard sheen is used on stains

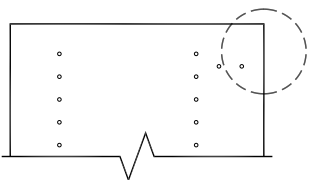
Vertical Panel Options

- Vertical panel options are available at no additional charge
- Must be specified at time of order
- See individual VPs for option availability

NOSRN: No Suspension Rail Notch

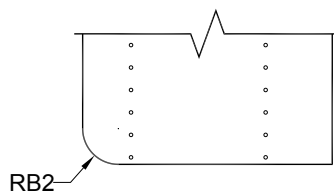
Panel will not be notched for suspension rail to pass through

Apply to panels that end a run for a finished appearance



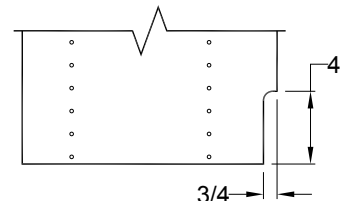
RB2: Radius Bottom 2"

Changes front lower corner from square to radius



BN4: Base Notch 4"

Adds 3/4" W x 4" H notch at back bottom corner for installation over existing base trim

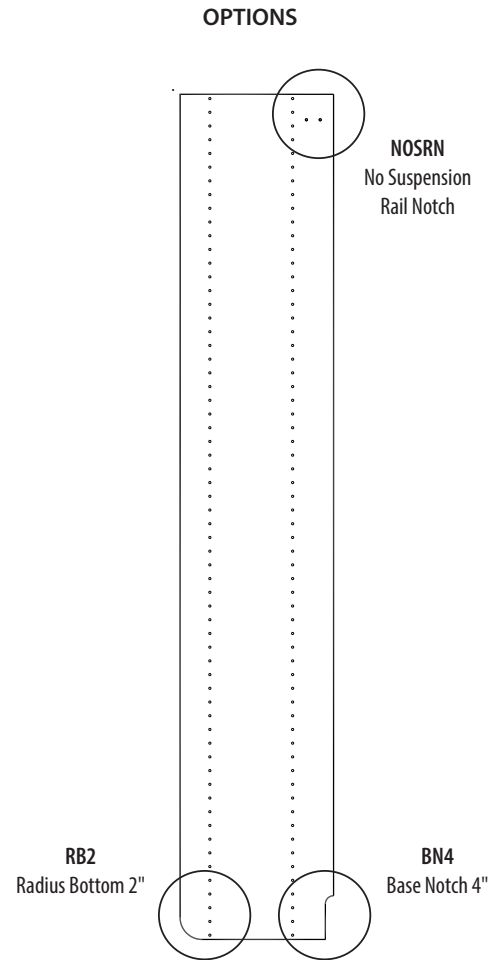
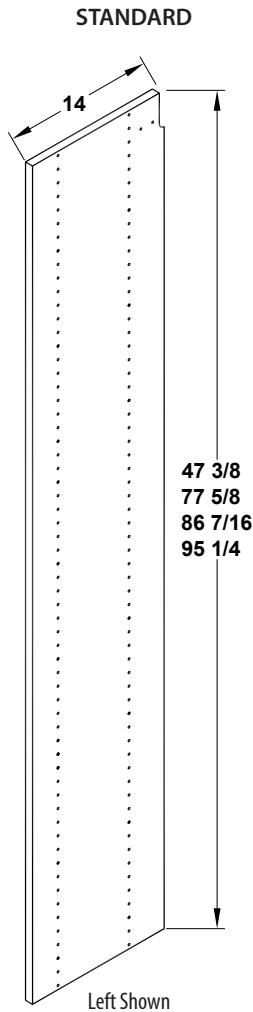


COMPONENTS - Vertical Panels

Vertical Panel - 14" D

- Requires a suspension rail to assist with top alignment and to secure panel to wall
- 14" D panels may be wall-hung or floor-supported
- Vertical Triangle Bracket (VTB) included with 48" and 78" H panels only

Modification Limits	
N/A	No modifications

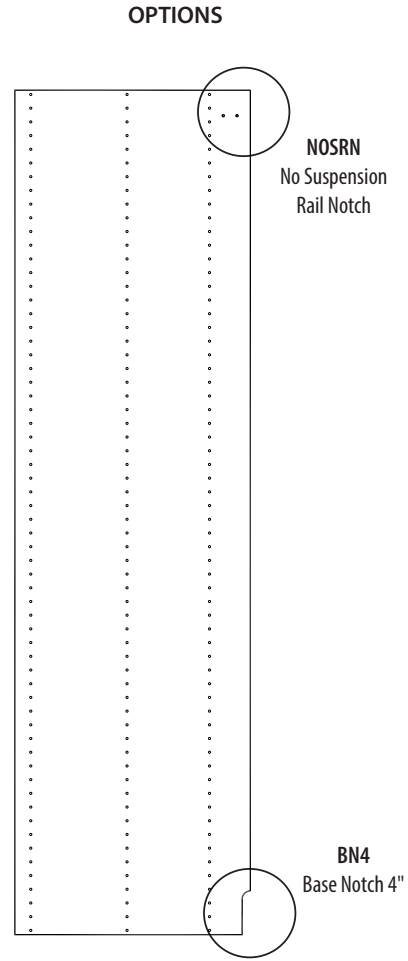
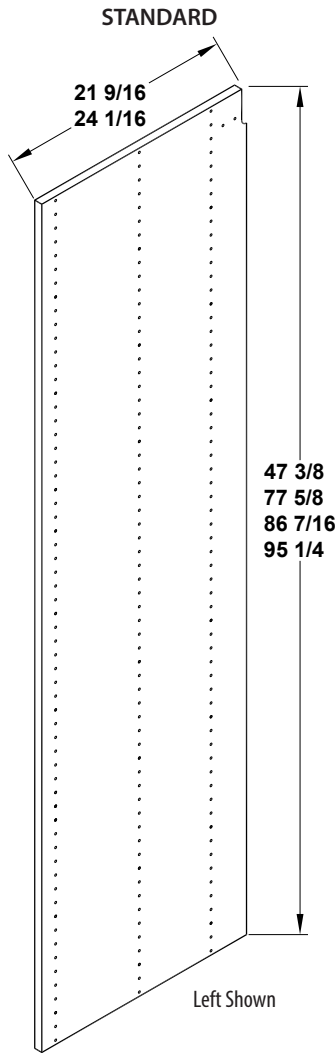
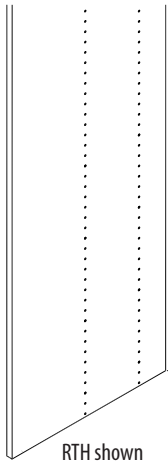


VERTICAL PANEL - 14" D					Melamine			Wood (PBD)	Wood (PLY)					
					1	2	3	4	5					
Panel type & orientation required		OPTIONS (\$0)			White	Caramel Chai Chocolate Creme	W. Alder W. Mahogany	All species & stains	All species & stains					
Panel Type	Orientation	No Suspension Rail Notch	2" Radius Bottom	Base Notch										
VP1448_	L, C, R	NOSRN	RB2	BN4						92	110	124	181	209
VP1478_	L, C, R									124	153	175	253	297
VP1487_	L, C, R									126	159	183	268	317
VP1496_	L, C, R				136	171	198	290	344					
Ex: VP1478C-RB2														

COMPONENTS - Vertical Panels

Vertical Panels - 22" & 24" D

- Requires a suspension rail to assist with top alignment and to secure panel to wall
- 48" H panels may be wall hung or floor supported
- 78", 87" and 96" H panels require floor support
- **Note:** when transitioning from a 14" deep VP to a 22" or 24" deep VP choose LTH or RTH orientation for a clean look on front exposed sides (see page 37)



Modification Limits	
N/A	No modifications

VERTICAL PANEL - 22" & 24" D

Panel type & orientation required		OPTIONS (\$0)			Melamine			Wood (PBD)	Wood (PLY)
		No Suspension Rail Notch	2" Radius Bottom	Base Notch	1	2	3	4	5
Panel Type	Orientation				White	Caramel Chai Chocolate Creme	W. Alder W. Mahogany	All species & stains	All species & stains
VP2248_	L, C, R, or LTH, RTH	NOSRN	N/A	BN4	110	144	166	244	287
VP2278_					158	202	236	348	417
VP2287_					175	224	261	383	461
VP2296_					188	243	283	417	502
VP2448_	L, C, R, or LTH, RTH	NOSRN	N/A	BN4	117	148	171	253	300
VP2478_					168	210	246	368	443
VP2487_					187	239	280	412	497
VP2496_					202	259	305	449	543

Ex: VP2278L-BN4

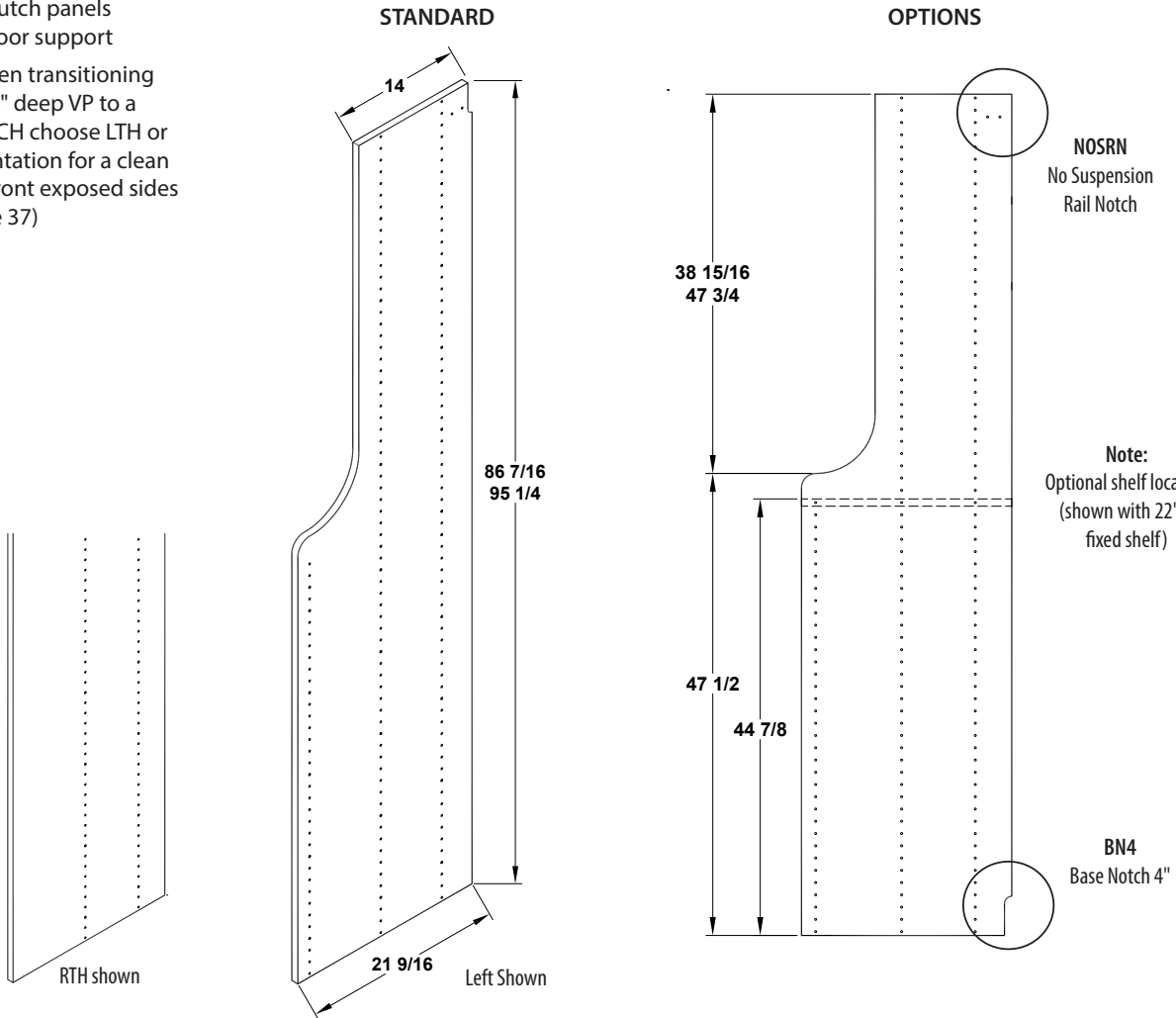
COMPONENTS - Vertical Panels

Vertical Panel - Curved Hutch

Modification Limits

N/A	No modifications
-----	------------------

- Requires a suspension rail to assist with top alignment and to secure panel to wall
- Curved hutch panels require floor support
- **Note:** when transitioning from a 14" deep VP to a hutch VPCH choose LTH or RTH orientation for a clean look on front exposed sides (see page 37)

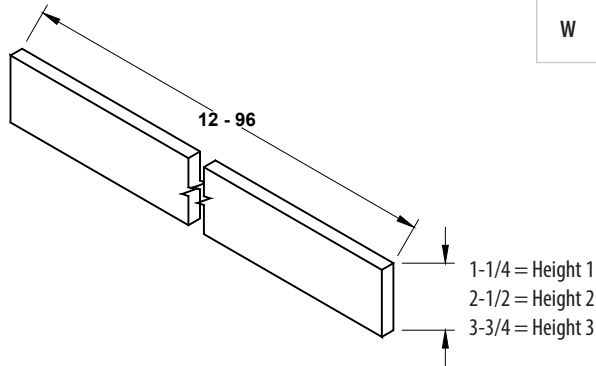


VERTICAL PANEL - CURVED HUTCH					Melamine			Wood (PBD)	Wood (PLY)
					1	2	3	4	5
<i>Panel type & orientation required</i>		OPTIONS (\$0)			White	Caramel Chai Chocolate Creme	W. Alder W. Mahogany	All species & stains	All species & stains
Panel Type	Orientation	No Suspension Rail Notch	2" Radius Bottom	Base Notch					
VPCH2287_	L, C, R or LTH, RTH	NOSRN	N/A	BN4	209	258	297	419	497
VPCH2296_					224	275	317	449	536
Ex: VPCH2287RTH-NOSRN									

COMPONENTS - Toe Front & Custom Panel

Toe Front

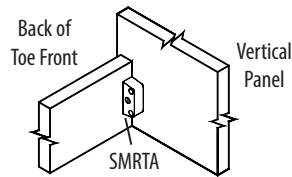
- 3/4" thick, available in melamine or wood to match panels and shelves
- Screws and two surface mount RTA clips (SMRTA) included
 - Order additional SMRTA if cutting 96" W into separate boards onsite (2/per front)



Modification Limits	
W	Min. 12-1/4" – Max. 35-3/4" Specify in 1/4" increments

Price Note:

- MSRP of modified toe fronts with widths between 12-1/4" – 35-3/4" will be priced at the next standard size (EX: TF34-1/4" = price of TF36)

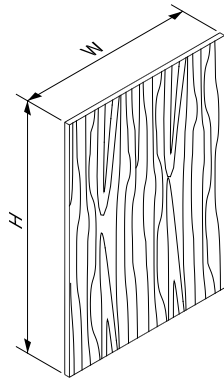


Attach clip (SMRTA) to back of toe front and attach to vertical panel with wood screws

TOE FRONT		Melamine			Wood (PBD)	Wood (PLY)
		1	2	3	4	5
<i>Size and Height required</i>		White	Caramel Chai Chocolate Creme	W. Alder W. Mahogany	All species & stains	All species & stains
Size	Specify H					
TF12 -	1, 2, 3	20	22	22	53	54
TF18 -	1, 2, 3	22	24	25	56	59
TF24 -	1, 2, 3	24	25	27	59	63
TF30 -	1, 2, 3	25	27	31	63	68
TF36 -	1, 2, 3	27	31	32	66	73
TF96 -	1, 2, 3	42	49	58	103	119
TF (modified W) -	1, 2, 3	MSRP of modified TFs will match that of the next (larger) standard size				

Custom Panel

- 1/4" or 3/4" thick
- Finished with melamine or wood veneer
- 1/4" panel: finished 1 side with MDF substrate only
- 3/4" panel: finished 2 sides
 - Finish all edges: Y or N
 - Substrate: PBD or PLY



Design note:

- Use as "Finished back panels" to cover walls behind modules (see Installation Instructions)

Size Limits	
W	Min. 3" – Max. 48"
H	Min. 12" – Max. 96"
Measure width across the grain and height with the grain	
Pricing Formula	
1. W x H = Sq inches ÷ 144 for Sq. foot	
2. Round up to next whole Sq. foot	
3. Multiply by MSRP (Min. price per piece: 3 sq. ft)	

Loose Edge Tape

- Comes in 8' lengths
- Available in all wood and melamine colors
- W: 15/16"

ETL-CL (ea.)	MSRP
.5mm wood	136
1mm melamine	51

CUSTOM PANEL		Melamine			Wood (PBD)	Wood (PLY)
		1	2	3	4	5
		White	Caramel Chai Chocolate Creme	W. Alder W. Mahogany	All species & stains	All species & stains
		Per Sq. Ft.	Per Sq. Ft.	Per Sq. Ft.	Per Sq. Ft.	Per Sq. Ft.
1/4"	CLCP 14 (W)x(H)	8.06	10.35	12.02	17.40	
3/4"	CLCP 34 (W)x(H) (Y / N)	9.07	12.47	14.48	27.59	32.33

Y: All 4 edges will be finished at \$54 per panel

COMPONENTS - Shelves

Shelves - Adjustable

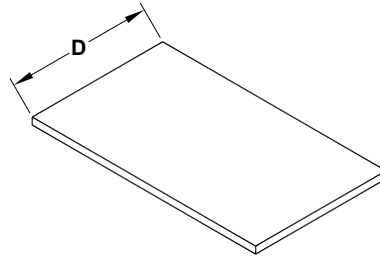
- Adjustable shelves mount on top of spoon-type metal shelf pins
- (4) pins included with each adjustable shelf

Design Note:

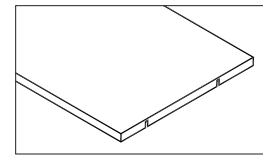
- Fixed and adjustable shelves sit on different types of fittings and therefore will not line up with each other when on opposing sides of the same panel

Price Note:

- MSRP of modified shelves with widths between 12-1/4" - 35-3/4" will be priced at the next standard size
(Ex: SA14 x 34-1/4" W = price of SA3614)
- Widths between 36-1/4" - 42" are priced at the maximum MSRP listed



Adjustable



Fixed and bottom shelves have installed cams (see design note)

Modification Limits

W

Min. 12-1/4" - Max. 42"
Specify in 1/4" increments

			Melamine			Wood (PBD)	Wood (PLY)
			1	2	3	4	5
SHELF: ADJUSTABLE (A)			White	Caramel Chai Chocolate Creme	W. Alder W. Mahogany	All species & stains	All species & stains
Shelf type	Width	Depth					
14" D							
SA1214	12	14	39	42	46	81	88
SA1814	18		44	51	56	95	105
SA2414	24		51	59	66	110	124
SA3014	30		58	68	76	124	141
SA3614	36		63	76	86	139	159
SA14 x (modified W)	See price note above			73 max.	90 max.	102 max.	163 max.
22" D							
SA1222	12	21-9/16	44	51	56	97	109
SA1822	18		54	64	71	119	136
SA2422	24		64	76	86	141	163
SA3022	30		73	90	102	165	190
SA3622	36		83	102	117	187	217
SA22 x (modified W)	See price note above			97 max.	119 max.	137 max.	217 max.
24" D							
SA1224	12	24-1/16	46	54	59	102	112
SA1824	18		58	68	76	126	142
SA2424	24		68	81	92	149	173
SA3024	30		78	95	109	173	202
SA3624	36		88	109	126	198	232
SA24 x (modified W)	See price note above			103 max.	127 max.	146 max.	232 max.

COMPONENTS - Shelves

Shelves - Fixed and Bottom

Modification Limits

W

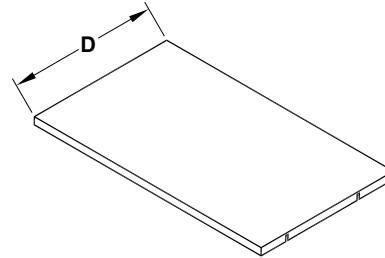
Min. 12-1/4" – Max. 42"
Specify in 1/4" increments

Fixed:

- (4) screw locking cams installed on bottom
- (4) expandable cam dowels and (2) double-ended dowels included with each fixed shelf

Bottom:

- (4) wedge locking cams (CAMDW-WHT) installed on bottom (used when there is no access to bottom of shelf to turn cam screw)
- (4) expandable cam dowels and (2) double-ended dowels included with each bottom shelf



Fixed and Bottom

Design Note:

- Fixed and adjustable shelves sit on different types of fittings and therefore will not line up with each other when on opposing sides of the same panel

Price Note:

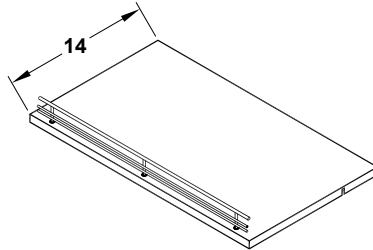
- MSRP of modified shelves with widths between 12-1/4" – 35-3/4" will be priced at the next standard size (Ex: SF14 x 34-1/4" W = price of SF3614)
- Widths between 36-1/4" – 42" are priced at the maximum MSRP listed

			Melamine			Wood (PBD)	Wood (PLY)	
			1	2	3	4	5	
			White	Caramel Chai Chocolate Creme	W. Alder W. Mahogany	All species & stains	All species & stains	
SHELF: FIXED (F) and BOTTOM (B) Insert "F" or "B" after "S"	Shelf type	Width	Depth					
14" D								
	S_1214	12	14	47	53	54	90	97
	S_1814	18		54	59	64	105	115
	S_2414	24		59	68	75	119	132
	S_3014	30		66	76	85	132	149
	S_3614	36		73	85	95	148	168
	S_14 x (modified W)	See price note above		85 max.	98 max.	110 max.	173 max.	197 max.
22" D								
	S_1222	12	21-9/16	54	59	66	105	117
	S_1822	18		63	73	81	129	144
	S_2422	24		73	85	97	151	171
	S_3022	30		81	98	112	173	198
	S_3622	36		92	110	126	195	227
	S_22 x (modified W)	See price note above		107 max.	129 max.	146 max.	227 max.	265 max.
24" D								
	S_1224	12	24-1/16	56	63	68	110	122
	S_1824	18		66	76	85	134	151
	S_2424	24		76	90	102	158	181
	S_3024	30		86	103	117	181	212
	S_3624	36		97	117	134	207	241
	S_24 x (modified W)	See price note above		114 max.	137 max.	156 max.	241 max.	282 max.

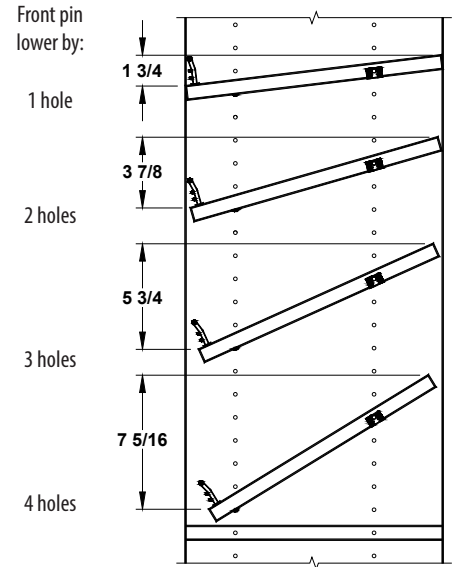
COMPONENTS - Shoe Shelf

Shoe Shelf with Fence

- Shoe fence comes attached to front of shelf
 - Three finish options are available
- Screw locking cams are installed in bottom of shoe shelf, towards back
- Front of shelf rests on spoon-type metal shelf pins
- Forward tilt of shelves is adjustable
- Installing from the bottom up is recommended
- Suggested spacing between shelves: Min. 7" (5 holes) to 10-3/4" (8 holes)



Modification Limits	
N/A	No modifications



PC = Polished Chrome | SN = Satin Nickel | ORB = Oil Rubbed Bronze

SHOE SHELF

Shelf size & finish required				Melamine			Wood (PBD)	Wood (PLY)
Shelf size	Finish (shoe fence)	Width	Depth	1	2	3	4	5
SS1214	PC, SN, ORB	12	14	White	Caramel Chai Chocolate Creme	W. Alder W. Mahogany	All species & stains	All species & stains
SS1814	PC, SN, ORB	18		73	78	80	115	122
SS2414	PC, SN, ORB	24		86	93	98	137	148
SS3014	PC, SN, ORB	30		102	110	117	161	175
				117	127	136	183	200

COMPONENTS - Corner Shelves

Shelf Corner: Radius and Angle

- Shelves are prepped for and include fittings
- Notched at left or right to fit around a 14" deep vertical panel
- Requires (3) 14" deep vertical panels
 - Install between (2) VPs and (3rd) VP in corner (see top views)
 - order all panels separately

Adjustable:

- Adjustable shelves mount on top of spoon-type metal shelf pins
- (6) pins included with each adjustable shelf

Fixed:

- (4) screw locking cams installed on bottom
- (4) expandable cam dowels and (4) double-ended dowels included with each fixed shelf

Bottom:

- (4) wedge locking cams installed on bottom (Used when there is no access to bottom of shelf to turn cam screw)
- (4) expandable cam dowels and (4) double-ended dowels included with each bottom shelf

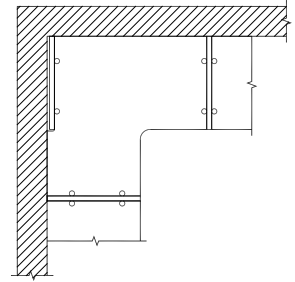
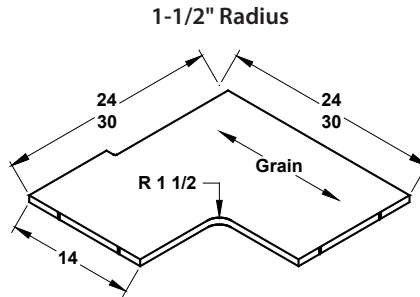
Design Note:

- Fixed and adjustable shelves sit on different types of fittings and therefore will not line up with each other when on opposing sides of the same panel

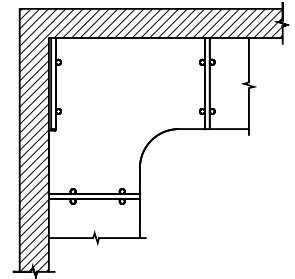
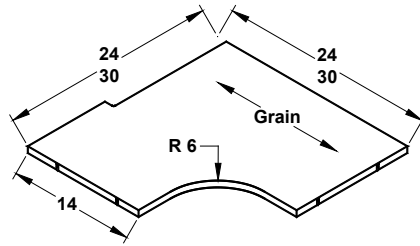
Modification Limits	
N/A	No modifications

Shown notched left

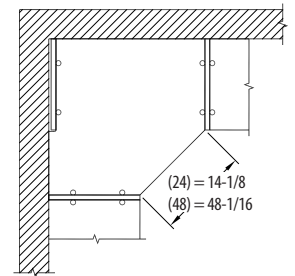
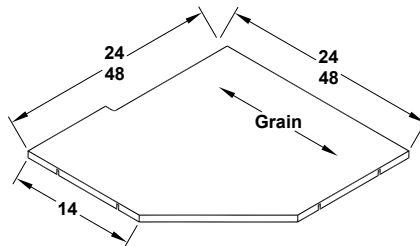
Top Views



6" Radius



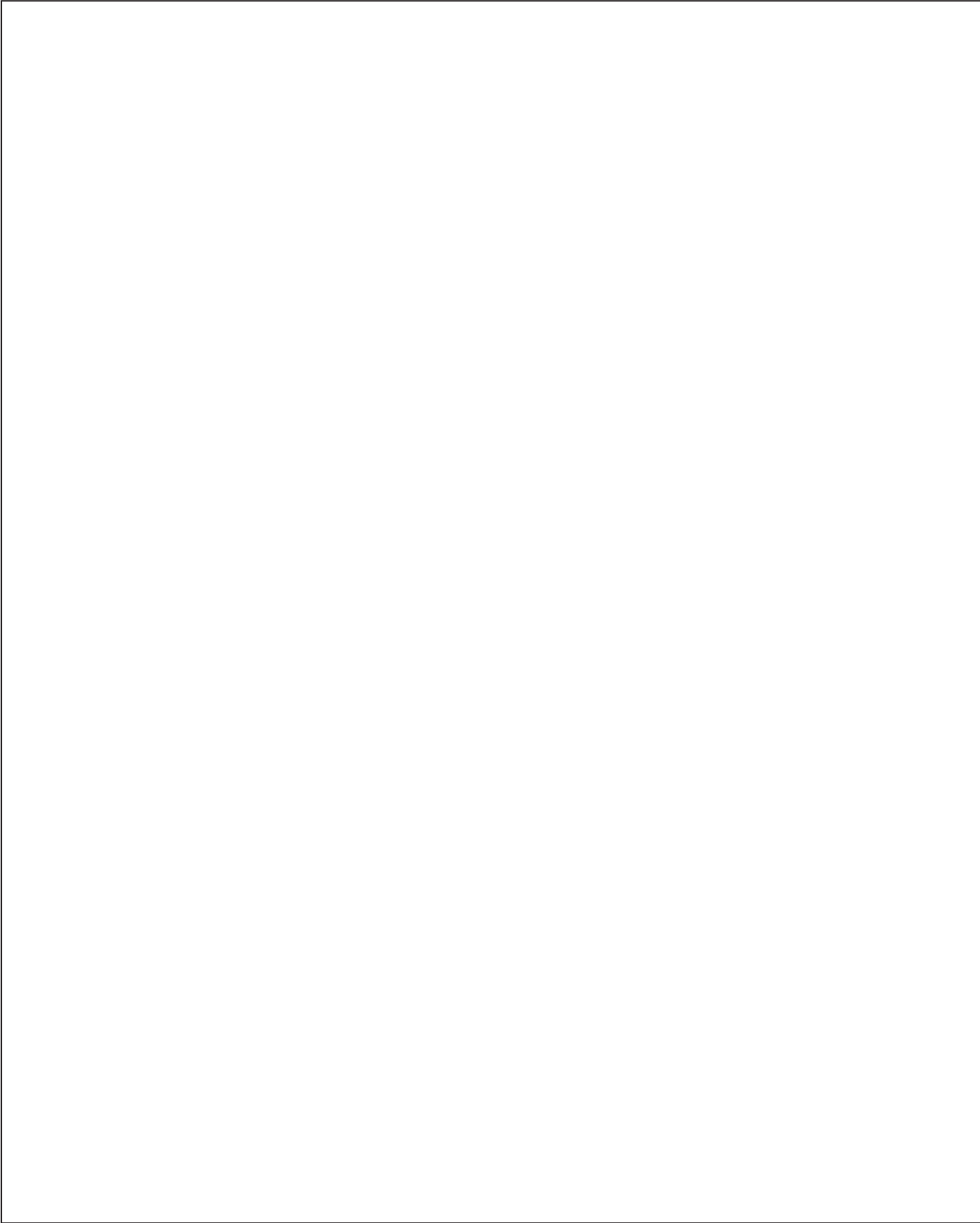
Angle



COMPONENTS - Corner Shelves

				Melamine			Wood (PBD)	Wood (PLY)
				1	2	3	4	5
SHELF CORNER: 1-1/2" Radius				White	Caramel Chai Chocolate Creme	W. Alder W. Mahogany	All species & stains	All species & stains
<i>Shelf type & orientation required</i>								
Shelf type	Orientation	Width	Depth					
Adjustable Corner								
SAC2424	L or R	24	14	76	90	102	159	181
SAC3030	L or R	30		98	120	137	212	249
Fixed Corner								
SFC2424	L or R	24	14	88	102	112	170	193
SFC3030	L or R	30		110	131	149	224	259
Bottom Corner								
SBC2424	L or R	24	14	88	102	112	170	193
SBC3030	L or R	30		110	131	149	224	259
SHELF CORNER: 6" Radius								
Adjustable Corner								
SACR2424	L or R	24	14	76	90	102	159	181
SACR3030	L or R	30		98	120	137	212	249
Fixed Corner								
SFCR2424	L or R	24	14	88	102	112	170	193
SFCR3030	L or R	30		110	131	149	224	259
Bottom Corner								
SBCR2424	L or R	24	14	88	102	112	170	193
SBCR3030	L or R	30		110	131	149	224	259
SHELF CORNER: 24" Angled								
Adjustable Corner								
SACA2424	L or R	24	14	68	81	93	149	173
Fixed Corner								
SFCA2424	L or R	24	14	78	92	102	159	183
Bottom Corner								
SBCA2424	L or R	24	14	78	92	102	159	183
SHELF CORNER: 48" Angled								
Fixed Corner								
SFCA4848	L or R	48	14	195	248	292	446	539
Bottom Corner								
SBCA4848	L or R	48	14	195	248	292	446	539

Intentionally blank



COMPONENTS - Doors and Drawer Fronts

- Doors and drawer fronts available in 7 thermofoil and 4 wood styles
- Thermofoil styles are white on the back of door
- Prep for glass and drawer front options are available (specified with door styles)
- Door sizes are pre-selected to fit standard module width sizes only (pg 50)
- Doors are not installed nor included with any component or module - order loose
- % Up-charge is applied to doors only (see charts and formulas below)
 - Wood doors remain at price point #4 if plywood (#5) is selected for panels, shelves (pg 38)
- Decorative hardware not included - see pg 50 for options

Wood up-charges	
4	
All Species and all stain colors	
DOOR NAME	
Jackson	0%
Larkspur	25%
Larkspur Roman	30%
Spectrum	10%

DOOR NAME	Thermofoil up-charges		
	1	2	3
	White	Caramel Chai Chocolate Creme	W. Alder W. Mahogany
Calypso	45%	30%	15%
Matrix	0%	0%	0%
Palisade	20%	30%	25%
Palisade Roman	20%	30%	25%
Ravenna	55%	65%	55%
Seneca	0%	0%	0%
Talbot	65%	75%	60%

WHEN ORDERING DOORS:

(Doors are not installed or included with any component or module, so must be ordered loose)

1. Specify door style name and color – use chart above along with door style (pgs 51 - 53)
2. Locate base price of door from Door Price Guide (pgs 54 - 56)
3. Locate and add door style % up-charge to base price using charts above
4. Specify desired options – see Door Styles (pgs 51 - 53) and Acrylic Panel Inserts (pg 57)
5. Specify hinge location (left or right)
6. Order Decorative Hardware – (pg 50)

PRICING FORMULA FOR DOORS:

DRxxxx \$ by color + Door style % + any modifications

- % up-charge is applied to doors only
- Modifications = RFG, RFGI + Acrylic Panel, MGD, MGDI + Acrylic Panel

PRICING EXAMPLES using a 'Caramel' colored 'Palisade' door:

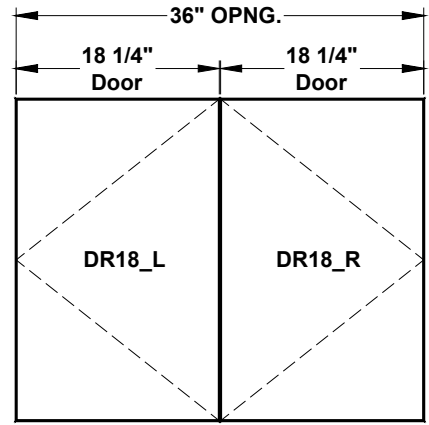
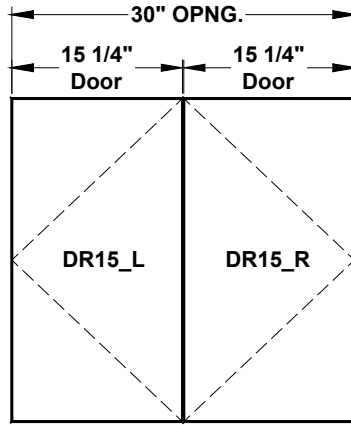
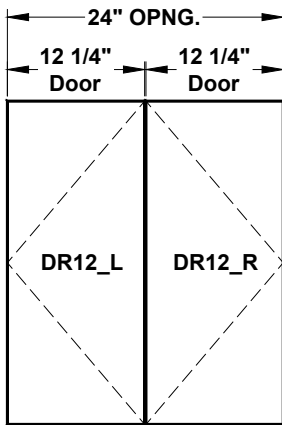
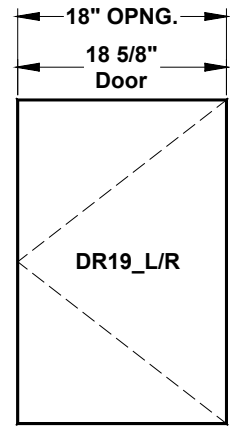
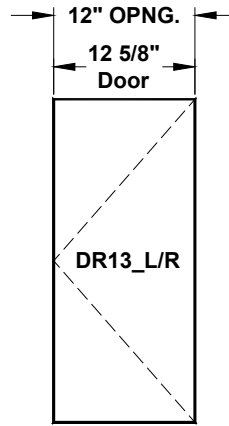
1. DR1512 is $\$154 + 30\% = \underline{\$200}$
2. DR1512 is $\$154 + 30\% = \$200 + \$127 \text{ for RFG} = \underline{\$327}$
3. DR1512 is $\$154 + 30\% = \$200 + \$127 \text{ for RFGI} + \$236 \text{ for A01 (Acrylic Insert from column 'A')} = \underline{\$563}$
4. DR1512 is $\$154 + 30\% = \$200 + \$127 \text{ for RFGI} + \$290 \text{ for A15 (Acrylic Insert from column 'B')} = \underline{\$617}$

COMPONENTS - Door Sizing and Decorative Hardware

Door Sizing Guide

Modification Limits	
N/A	No modifications

- Doors come with inMotion hinges, plates and mounting screws
- Top and bottom hinge plates fit into system holes on 22" and 24" D vertical panels. The center hinge may fall in between mounting holes on certain door heights, requiring additional mounting holes to be drilled onsite.
- Hinge plate mounting holes must be drilled at jobsite when attaching doors to 14" D vertical panels (template on pg 21 of CCCP Installation Instructions)
- Sizes listed are nominal and rounded to nearest 1/16"
- Doors are sized to fit openings based on standard module widths only
- Use the images to select the correct door width for a standard or customized module
 - Module pages list available doors for that module



Decorative Hardware

- Order for doors and drawers
- Break-off style installation screws included
- Available in two finishes

Satin Nickel	MSRP/ea	Oil Rubbed Bronze	MSRP/ea
DH520-128SN	8	DH520-128ORB	8
DH520-96SN	5	DH520-96ORB	5
DH811-128SN	24	DH811-128ORB	20
DH811-96SN	20	DH811-96ORB	19
DH075-31SN	12	DH075-31ORB	10



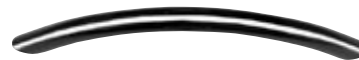
DH520-128
8mm x 128mm



DH520-96
8mm x 96mm



DH811-128
8mm x 128mm



DH811-96
8mm x 96mm



DH075-31
8mm x 31mm diameter

COMPONENTS - Wood Doors and Drawer Fronts

Larkspur (LAR)

- Mortise & Tenon wood door
- 2-1/4" W stiles & rails
- 3/4" thick raised panel



RFG

MGD

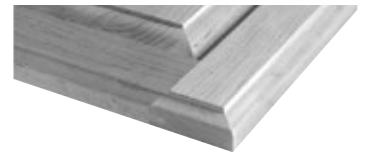


SL

MD

Larkspur Roman (LAR-R)

- See Larkspur
- Arched panel



RFG

MGD

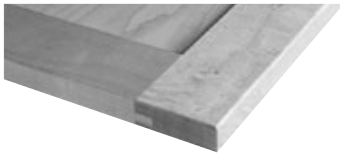


SL

MD

Jackson (JAC)

- Mortise & Tenon wood door
- 2-1/4" W stiles & rails
- 1/4" thick recessed panel



RFG

MGD

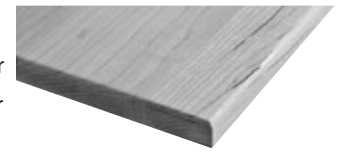


SL

MD

Spectrum (SPEC)

- 3/4" thick solid slab wood door
- Multiple pieces glued together
- Max height = 51" (nominal)



SL

Door Options:

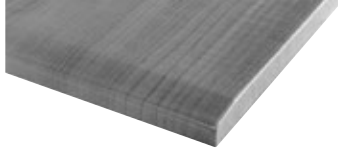
- Prep for glass RFG and MGD prices are per door
- Use RFGI and MGDI when ordering installed acrylic panels
- See Acrylic Panel Insert page for selections and pricing

Door Options	MSRP
RFG or RFGI	127
MGD or MGDI	373
Drawer Front Options	MSRP
SL (slab)	0
MD (match door)	0

COMPONENTS - Thermofoil Doors and Drawer Fronts

Calypso (CLY)

- Eased sides and taper top and bottom



SL



RFG

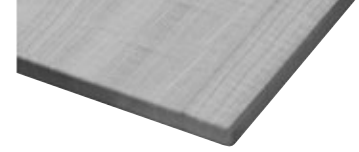


MGD



Matrix (MTX)

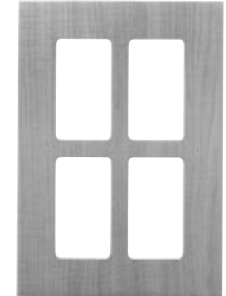
- 1/8" radius sides, top and bottom



SL



RFG

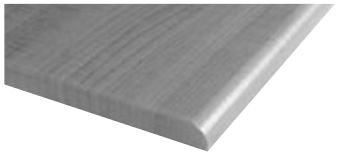


MGD



Seneca (SEN)

- 1/2" radius sides
- Eased top and bottom



SL



RFG

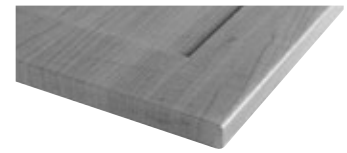


MGD

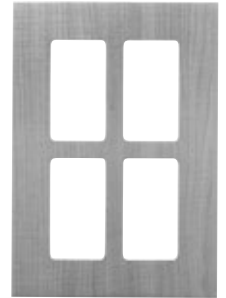


Ravenna (RAV)

- 2-1/4" W stiles & rails



SL



MD



Door Options:

- Prep for glass RFG and MGD prices are per door
- Use RFGI and MGDI when ordering installed acrylic panels
- See Acrylic Panel Insert page for selections and pricing

Door Options	MSRP
RFG or RFGI	127
MGD or MGDI	373
Drawer Front Options	MSRP
SL (slab)	0
MD (match door)	0

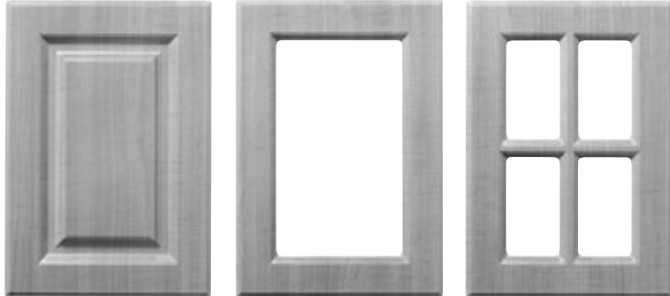
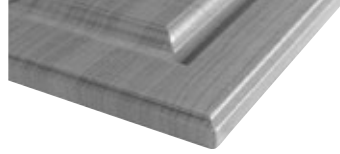
Thermofoil Door Notes

- Doors have MDF substrate
- Available in all Thermofoil colors
- Back of door is white
- 1mm edge tape matches door color

COMPONENTS - Thermofoil Doors and Drawer Fronts

Palisade (PSD)

- 2-1/4" W stiles & rails

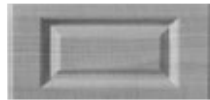


RFG

MGD



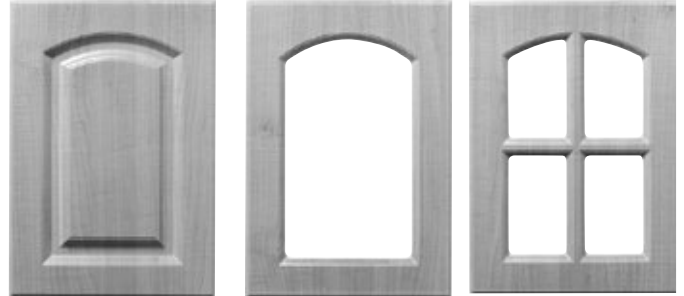
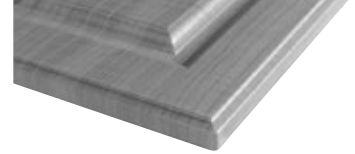
SL



MD

Palisade Roman (PSD-R)

- 2-1/4" W stiles & rails
- Arched panel

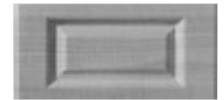


RFG

MGD



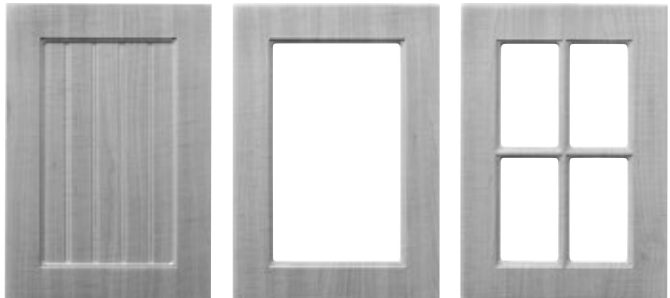
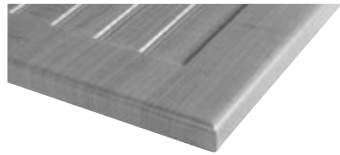
SL



MD

Talbot (TAL)

- 2-1/4" W stiles & rails
- Beaded panel look

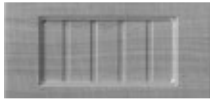


RFG

MGD



SL



MD

Door Options:

- Prep for glass RFG and MGD prices are per door
- Use RFGI and MGDI when ordering installed acrylic panels
- See Acrylic Panel Insert page for selections and pricing

Door Options	MSRP
RFG or RFGI	127
MGD or MGDI	373
Drawer Front Options	MSRP
SL (slab)	0
MD (match door)	0

Thermofoil Door Notes

- Doors have MDF substrate
- Available in all Thermofoil colors
- Back of door is white
- 1mm edge tape matches door color

COMPONENTS - Loose Door Pricing

<ul style="list-style-type: none"> • 12" – 52" H: single panel • Over 52" – 61" H: two stacked panels with mid rail • Door style % up-charge will be applied 					Modification Limits						
					N/A	No modifications					
					Thermofoil			Wood	Acrylic Insert		
					1	2	3	4	A	B	C
DOOR W/HINGES: 12" W					White	Caramel Chai Chocolate Creme	W. Alder W. Mahogany	All species & stains	See Acrylic Panel Insert page for categories (price added to door)		
Door Size (Specify Hinge L or R)	Width (inches)	Height (inches)	Height (MM)	Qty hinges							
DR1212_	12-1/4 2 doors fit 24" opening	12-1/2	317	2	120	134	144	175	289	320	371
DR1220_		20-1/16	509		159	181	198	237	289	320	371
DR1225_		25-1/16	637		185	214	234	280	446	507	611
DR1228_		28-7/8	733		205	237	261	310	446	507	611
DR1233_		33-15/16	861		231	270	297	353	446	507	611
DR1236_	12-1/4 2 doors fit 24" opening	36-7/16	925	3	256	298	327	387	446	507	611
DR1240_		40-3/16	1021		276	322	354	417	602	694	850
DR1241_		41-7/16	1053		283	331	363	427	602	694	850
DR1245_		45-1/4	1149		302	354	390	460	602	694	850
DR1250_		50-1/4	1277		329	387	426	500	602	694	850
DR1252_		52-13/16	1341		341	402	443	522	602	694	850
DR1261_		61-5/8	1565		387	458	505	595	773	896	1103
DOOR W/HINGES: 13" W					White	Caramel Chai Chocolate Creme	W. Alder W. Mahogany	All species & stains	See Acrylic Panel Insert page for categories (price added to door)		
Door Size (Specify Hinge L or R)	Door W (inches)	Door H (inches)	Door H (MM)	Qty hinges							
DR1312_	12-5/8 1 door fits 12" opening	12-1/2	317	2	122	137	146	178	289	320	371
DR1320_		20-1/16	509		163	187	202	243	289	320	371
DR1325_		25-1/16	637		188	219	239	285	446	507	611
DR1328_		28-7/8	733		209	244	266	317	446	507	611
DR1333_		33-15/16	861		236	276	304	361	446	507	611
DR1336_	12-5/8 1 door fits 12" opening	36-7/16	925	3	261	305	334	395	446	507	611
DR1340_		40-3/16	1021		282	329	361	427	602	694	850
DR1341_		41-7/16	1053		288	338	371	438	602	694	850
DR1345_		45-1/4	1149		309	363	399	470	602	694	850
DR1350_		50-1/4	1277		336	395	436	512	602	694	850
DR1352_		52-13/16	1341		349	412	455	534	602	694	850
DR1361_		61-5/8	1565		397	470	519	609	773	896	1103

COMPONENTS - Loose Door Pricing

<ul style="list-style-type: none"> • 12" – 52" H: single panel • Over 52" – 61" H: two stacked panels with mid rail • Door style % up-charge will be applied 					Modification Limits						
					N/A		No modifications				
					Thermofoil			Wood	Acrylic Insert		
					1	2	3	4	A	B	C
DOOR W/HINGES: 15" W					White	Caramel Chai Chocolate Creme	W. Alder W. Mahogany	All species & stains	See Acrylic Panel Insert page for categories (price added to door)		
Door Size (Specify Hinge L or R)	Door W (inches)	Door H (inches)	Door H (MM)	Qty hinges							
DR1512_	15-1/4	12-1/2	317	2	136	154	166	200	289	320	371
DR1520_		20-1/16	509		185	214	232	278	446	507	611
DR1525_	2 doors fit 30" opening	25-1/16	637	2	217	253	276	331	446	507	611
DR1528_		28-7/8	733		241	283	310	370	446	507	611
DR1533_		33-15/16	861		273	322	354	421	602	694	850
DR1536_	15-1/4	36-7/16	925	3	302	354	390	460	602	694	850
DR1540_		40-3/16	1021		327	385	424	499	602	694	850
DR1541_	2 doors fit 30" opening	41-7/16	1053	3	336	395	434	512	602	694	850
DR1545_		45-1/4	1149		360	424	468	551	773	896	1103
DR1550_		50-1/4	1277		392	465	512	602	773	896	1103
DR1552_		52-13/16	1341		409	483	534	629	773	896	1103
DR1561_		61-5/8	1565		465	553	612	719	935	1088	1347

					Thermofoil			Wood	Acrylic Insert		
					1	2	3	4	A	B	C
DOOR W/HINGES: 18" W					White	Caramel Chai Chocolate Creme	W. Alder W. Mahogany	All species & stains	See Acrylic Panel Insert page for categories (price added to door)		
Door Size (Specify Hinge L or R)	Door W (inches)	Door H (inches)	Door H (MM)	Qty hinges							
DR1812_	18-1/4	12-1/2	317	2	151	173	188	226	289	320	371
DR1820_		20-1/16	509		210	244	268	319	446	507	611
DR1825_	2 doors fit 36" opening	25-1/16	637	2	249	292	321	382	602	694	850
DR1828_		28-7/8	733		278	327	361	427	602	694	850
DR1833_		33-15/16	861		317	375	414	490	602	694	850
DR1836_	18-1/4	36-7/16	925	3	349	412	453	534	773	896	1103
DR1840_		40-3/16	1021		378	448	494	580	773	896	1103
DR1841_	2 doors fit 36" opening	41-7/16	1053	3	387	460	507	595	773	896	1103
DR1845_		45-1/4	1149		417	495	546	643	935	1088	1347
DR1850_		50-1/4	1277		456	543	600	704	935	1088	1347
DR1852_		52-13/16	1341		475	566	628	736	935	1088	1347
DR1861_		61-5/8	1565		543	650	721	845	1096	1280	1591

COMPONENTS - Loose Door Pricing

<ul style="list-style-type: none"> • 12" – 52" H: single panel • Over 52" – 61" H: two stacked panels with mid rail • Door style % up-charge will be applied 					Modification Limits							
					N/A		No modifications					
					Thermofoil			Wood	Acrylic Insert			
DOOR W/HINGES: 19" W					1	2	3	4	A	B	C	
Door Size (Specify Hinge L or R)	Door W (inches)	Door H (inches)	Door H (MM)	Qty hinges	White	Caramel Chai Chocolate Creme	W. Alder W. Mahogany	All species & stains	See Acrylic Panel Insert page for categories (price added to door)			
DR1912_	18-5/8	12-1/2	317	2	153	175	190	229	289	320	371	
DR1920_		20-1/16	509		212	248	271	324	446	507	611	
DR1925_	1 door fits 18" opening	25-1/16	637		253	297	326	387	602	694	850	
DR1928_		28-7/8	733		282	332	366	434	602	694	850	
DR1933_		33-15/16	861		322	382	421	499	602	694	850	
DR1936_	18-5/8	36-7/16	925	3	354	417	461	543	773	896	1103	
DR1940_		40-3/16	1021		383	455	502	590	773	896	1103	
DR1941_		41-7/16	1053		393	466	516	605	773	896	1103	
DR1945_		1 door fits 18" opening	45-1/4		1149	424	502	556	653	935	1088	1347
DR1950_			50-1/4		1277	463	551	611	716	935	1088	1347
DR1952_			52-13/16		1341	483	575	638	748	935	1088	1347
DR1961_			61-5/8		1565	553	660	733	860	1096	1280	1591

Hamper Tilt-out Door <ul style="list-style-type: none"> • Designed for Hamper Tilt-out with bags (HTO) • Door includes: <ul style="list-style-type: none"> – (2) bottom mount inMotion hinges installed – (2) loose hinge plates with mounting screws (holes must be drilled at jobsite) – (2) flap-stay devices • DR3128HTO has (2) side-by-side panels with a vertical center mullion (except Spectrum door) • RFG and MGD options are not available 					Modification Limits					
					N/A		No modifications			
					Thermofoil			Wood		
HAMPER TILT-OUT LOOSE DOOR					1	2	3	4		
HTO door size	Door W (inches)	Door H (inches)	Door H (MM)	Qty hinges	White	Caramel Chai Chocolate Creme	W. Alder W. Mahogany	All species & stains		
DR1928HTO	18-5/8	28-7/8	733	2 bottom mount	471	522	556	624		
DR2528HTO	24-5/8				544	612	656	741		
DR3128HTO	30-9/16				617	702	758	858		

COMPONENTS - Acrylic Panel Inserts

General Information

- Panels incorporate materials that may wick moisture from edge of sheet
- When installing in a moist environment, edges should be sealed with silicone or plastic tape
- Panels are approximately 1/8" thick
- Available loose or installed in doors
- Loose panels may be cut-to-size, or purchased in full sheets
- Additional styles and textures available through Special Product Request (SPR) program

Loose Acrylic Panels

- Max. size: 48" W by 96" H
- Exceptions:
Rain Emboss #15 | 35-1/2" W by 96" H
- To order loose panels:
DR-INSERT + model name + size W x H

Installed Acrylic Inserts

- Installed price does not include prep for glass options
- Installed inserts are limited to one style per door
- Max. door W: 24" | Max. door H: 51"
- Doors 52" H and larger are stacked panel construction and will receive inserts in upper and lower panels
- To order installed:
Door & size + RFGI or MGD I + installed model (A##)
(EX: DR1512 + RFGI + A01)

Panel Description	Face Texture	LOOSE		INSTALLED	
		Loose Model DR-INSERT	Loose MSRP (sq. in.)	Installed Model	Price Category (see pages 54-56)
Matte #01	Matte	ACRYL01	1.09	A01	A
Gloss #02	Gloss	ACRYL02	1.09	A02	A
Rain Emboss #15	Gloss	ACRYL15	1.30	A15	B
Mirage Platinum #22	Satin	ACRYL22	1.30	A22	B
Vena #23	Gloss	ACRYL23	1.30	A23	B
Copper Spun #24	Gloss	ACRYL24	1.66	A24	C
Gold Spun #25	Gloss	ACRYL25	1.66	A25	C
Silver Spun #26	Gloss	ACRYL26	1.66	A26	C
Quarry Milan #27	Gloss	ACRYL27	1.66	A27	C

Door Insert Calculations	Subtract From Door For Insert Size	
	Width	Height
2-1/2" M&T	3.5625	3.5625
Palisade - thermofoil	4.5625	4.5625

Note: Insert size is .0625" less than rout (width and height)



ACRYL01 | Matte



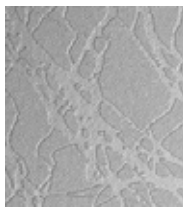
ACRYL02 | Gloss



ACRYL15 | Rain Emboss



ACRYL22 | Mirage Platinum



ACRYL23 | Vena



ACRYL24 | Copper Spun



ACRYL25 | Gold Spun



ACRYL26 | Silver Spun



ACRYL27 | Quarry Milan

Photos may not accurately represent actual product –
Please view a sample prior to placing an order

Glass Stop (AM-C)

- Available in random lengths only - determine amount required, then add for waste and cutting
- Installed acrylic panel glass stop matches door species and color



Installed acrylic panel and glass stop

	MSRP	
AM-C	8	per lineal foot

Care and cleaning

- Use weak solution of warm water and mild detergent
- Never scrub surface - gently wipe with soft sponge, cloth or chamois
- Do not use: squeegee, scraper or synthetic rags as they may scratch the surface
- Surface contaminates may be removed using an acrylic cleaner, such as Novus
- Do not clean with: glass cleaning products, acetone, gasoline, benzene, lacquer thinner, chlorinated solvents, gritty abrasive scouring compounds or alkaline cleaners

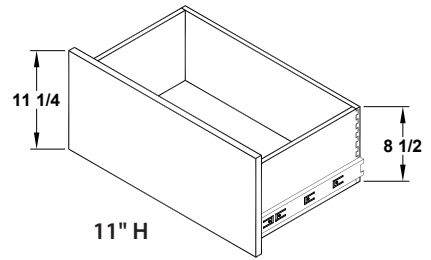
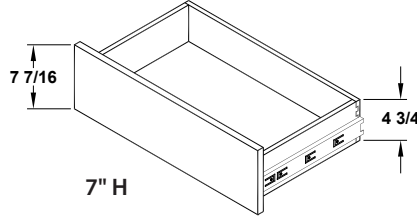
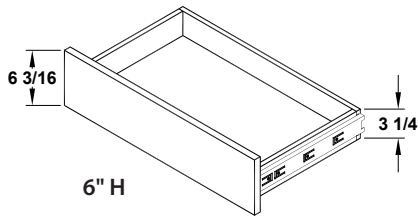
COMPONENTS - Loose Drawers & Pricing

- Drawers come fully assembled with fronts, drawer guides and mounting hardware
- Solid wood, 5/8" dovetail construction with 1/4" thick bottom
- Side mount ball-bearing full-extension guides
- Drawers attach to vertical panels system holes with (4) euro screws (included)
- Available depths: 14" | 22" | 24"

Design Notes:

- 1/8" reveal between drawer fronts when stacking
- Drawer fronts overlap vertical panels and shelves by 5/16"
- Decorative hardware needed (see page 50)

Modification Limits	
N/A	No modifications



Required: Drawer front option SL (\$0) or MD (\$0)

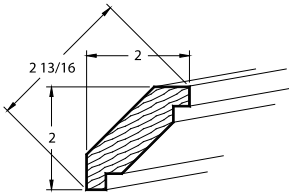
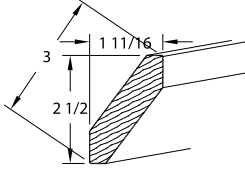
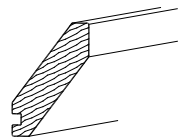
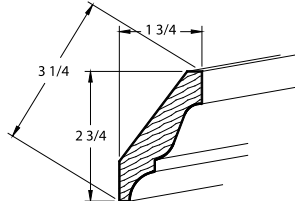
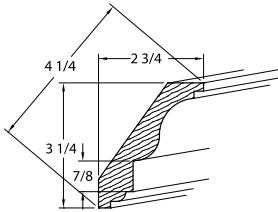
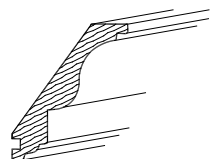
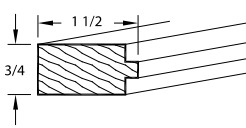
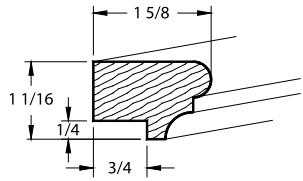
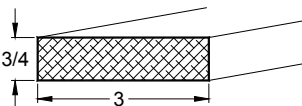
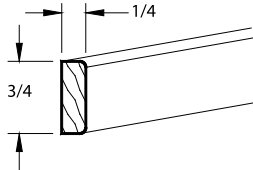
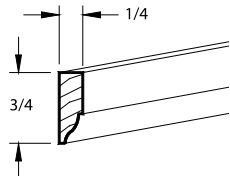
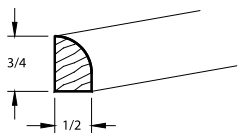
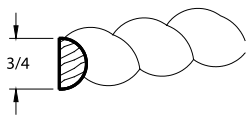
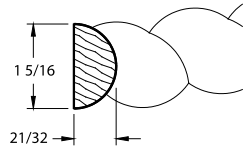
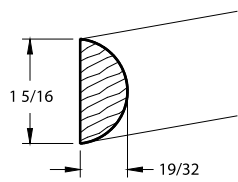
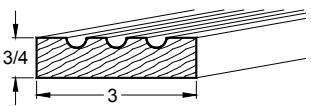
6" H - LOOSE DRAWER

Drawer name	Drawer front width	Drawer front height	Fits opening width	Drawer depth	Fits panel depth	Thermofoil			Wood			
						1	2	3	4			
DWR180614	18-5/8 472mm	6-3/16 157mm	18	13-3/4	14	White	Caramel Chai Chocolate Creme	W. Alder W. Mahogany	All species & stains			
20				22	171					185	193	224
22				24	195					209	219	248
DWR240614	24-5/8 625mm	6-3/16 157mm	24	13-3/4	14	White	Caramel Chai Chocolate Creme	W. Alder W. Mahogany	All species & stains			
20				22	187					200	210	241
22				24	214					227	237	268
DWR240622	777mm	157mm	30	20	22	White	Caramel Chai Chocolate Creme	W. Alder W. Mahogany	All species & stains			
22				24	202					215	224	254
22				24	220					234	244	275
DWR300614	30-5/8 777mm	6-3/16 157mm	30	13-3/4	14	White	Caramel Chai Chocolate Creme	W. Alder W. Mahogany	All species & stains			
20				22	214					231	244	278
22				24	243					261	273	307
DWR300622	929mm	157mm	36	20	22	White	Caramel Chai Chocolate Creme	W. Alder W. Mahogany	All species & stains			
22				24	249					268	280	314
22				24	280					302	315	353

COMPONENTS - Loose Drawer Pricing

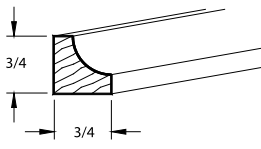
						Thermofoil			Wood
						1	2	3	4
Required: Drawer front option SL (\$0) or MD (\$0)						White	Caramel Chai Chocolate Creme	W. Alder W. Mahogany	All species & stains
7" H - LOOSE DRAWER									
Drawer name	Drawer front width	Drawer front height	Fits opening width	Drawer depth	Fits panel depth				
DWR180714	18-5/8	7-7/16	18	13-3/4	14	190	204	212	243
DWR180722	472mm	189mm		20	22	219	232	241	271
DWR180724				22	24	226	239	249	278
DWR240714	24-5/8	7-7/16	24	13-3/4	14	222	239	251	285
DWR240722	625mm	189mm		20	22	253	270	282	315
DWR240724				22	24	259	278	288	322
DWR300714	30-5/8	7-7/16	30	13-3/4	14	254	276	292	329
DWR300722	777mm	189mm		20	22	288	309	324	361
DWR300724				22	24	297	317	332	370
DWR360714	36-5/8	7-7/16	36	13-3/4	14	288	314	332	375
DWR360722	929mm	189mm		20	22	324	349	366	409
DWR360724				22	24	332	358	377	419
11" H - LOOSE DRAWER									
DWR181114	18-5/8	11-1/4	18	13-3/4	14	265	283	297	332
DWR181122	472mm	285mm		20	22	302	322	334	371
DWR181124				22	24	312	332	344	382
DWR241114	24-5/8	11-1/4	24	13-3/4	14	315	341	360	402
DWR241122	625mm	285mm		20	22	356	382	399	441
DWR241124				22	24	366	392	410	453
DWR301114	30-5/8	11-1/4	30	13-3/4	14	366	399	421	470
DWR301122	777mm	285mm		20	22	409	441	463	512
DWR301124				22	24	421	453	475	524
DWR361114	36-5/8	11-1/4	24	13-3/4	14	417	456	483	538
DWR361122	929mm	285mm		20	22	461	500	527	582
DWR361124				22	24	475	512	539	595

COMPONENTS - Wood Mouldings

<p>Crown AC</p>  <p>LENGTH: 96" MSRP CRWN-ACX96 193</p>	<p>Crown 3S</p>  <p>LENGTH: 96" MSRP CRWN3SX96 193</p>	<p>Prepped for Mounting Plate</p>  <p>LENGTH: 96" MSRP CRWN3SX96MP 217</p>	<p>Crown 3</p>  <p>LENGTH: 96" MSRP CRWN3X96 165</p>
<p>Crown 4</p>  <p>LENGTH: 96" MSRP CRWN4X96 339</p>	<p>Prepped for Mounting Plate</p>  <p>LENGTH: 96" MSRP CRWN4X96MP 365</p>	<p>Mounting Plate</p>  <p>LENGTH: 96" MSRP MP96 139</p>	<p>Cornice</p>  <p>LENGTH: 96" MSRP COR96 139</p>
<p>Scribe Filler - 3" W</p>  <p>LENGTH: 96" MSRP SF396 275</p>	<p>Scribe</p>  <p>LENGTH: 96" MSRP MS96 53</p>	<p>Ogee</p>  <p>LENGTH: 96" MSRP OGM96 59</p>	<p>Base Shoe</p>  <p>LENGTH: 96" MSRP BSHM96 75</p>
<p>Rope</p> <ul style="list-style-type: none"> • Not available in Alder  <p>LENGTH: 96" MSRP RM96 183</p>	<p>Rope - Large</p> <ul style="list-style-type: none"> • Not available in Alder  <p>LENGTH: 96" MSRP RML96 370</p>	<p>Half-Round</p> <ul style="list-style-type: none"> • Not available in Alder  <p>LENGTH: 96" MSRP HRM96 197</p>	<p>Fluted</p> <ul style="list-style-type: none"> • Flutes run full length  <p>LENGTH: 96" MSRP FM396 509</p>

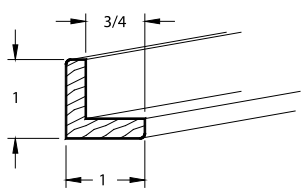
COMPONENTS - Wood Mouldings & Valances

Inside Corner



LENGTH: 96"	MSRP
ICM96	75

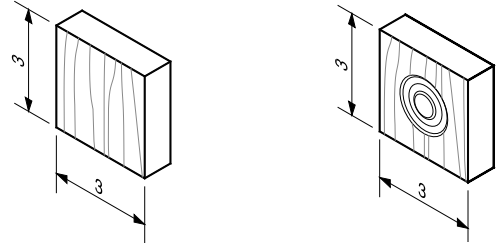
Outside Corner



LENGTH: 96"	MSRP
OCM96	75

Plinth Blocks

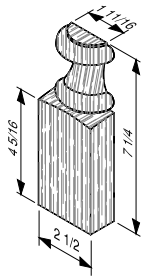
- 7/8" thick
- 1/8" eased front edge on all 4 sides



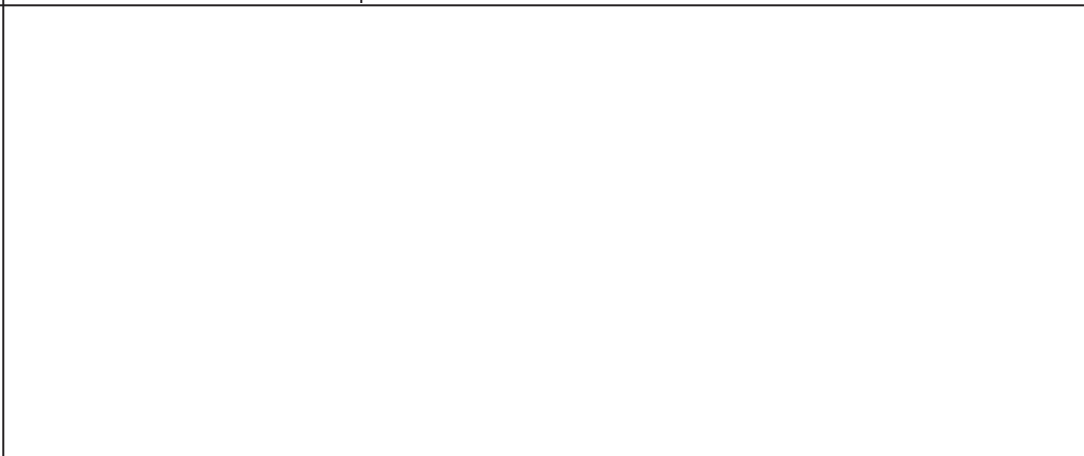
Plain	MSRP	w/Rosette	MSRP
PB3X3	92	PB3X3R	132

Half Spool & Base

- 1-1/8" thick
- Not available in Alder



	MSRP
HSB	165



Valances - Arched & Straight

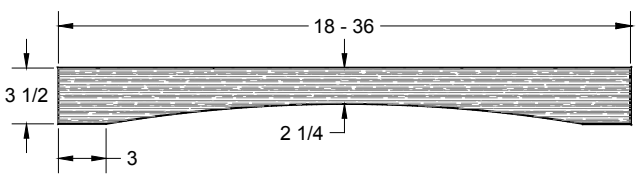
- Includes surface mount RTA (SMRTA) clips to install between panels or onto shelves
- Specify A, B or H edge detail

ARCHED VALANCE

- Edge-glued solid wood
- Radius of arch depends on length (35" shown)
- Edge detail applied to arched and bottom edges

Arched (specify edge)	MSRP
AVAL18_	92
AVAL24_	122
AVAL30_	153
AVAL36_	183

Arched Valance

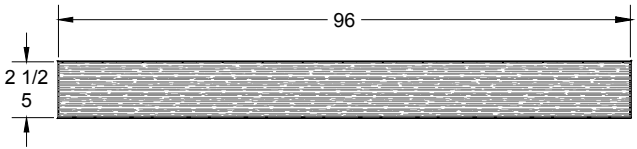


STRAIGHT VALANCE



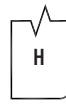
- Finished 2 faces/2 long edges
- Heights: 2-1/2" or 5"
- Edge detail applied to 1 edge

Straight (specify edge)	MSRP
SVAL2.5X96_	295
SVAL5X96_	407

Straight Valance



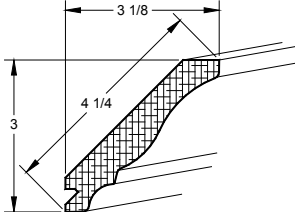
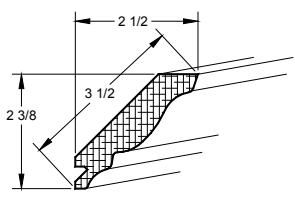
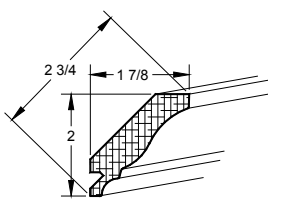
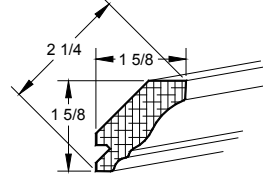
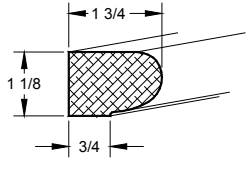
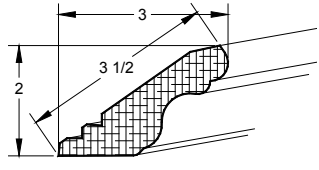
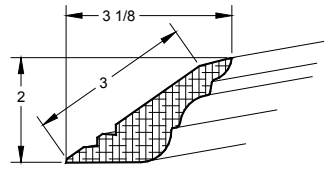
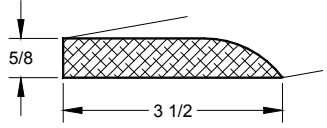
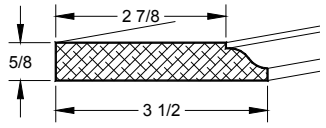
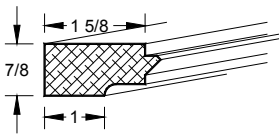
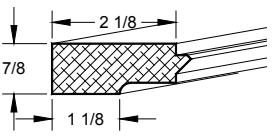
Edge Details

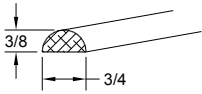
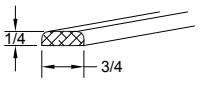
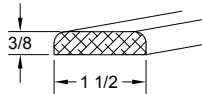
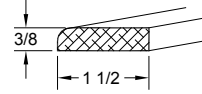
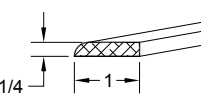
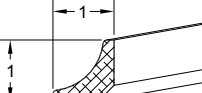
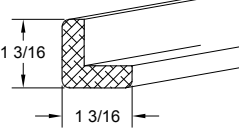
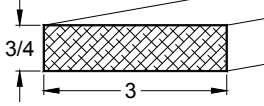
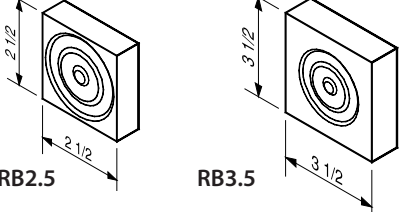
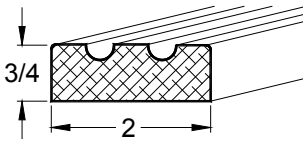
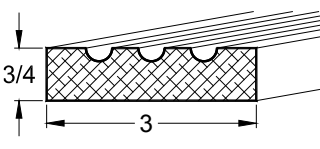
Modification Limits

N/A	No modifications
-----	------------------

COMPONENTS - Thermofoil Mouldings

<p>Crown 1</p>  <table border="1" data-bbox="121 493 503 556"> <tr> <td>LENGTH: 96"</td> <td>1</td> <td>2</td> <td>3</td> </tr> <tr> <td>CM1</td> <td>139</td> <td>148</td> <td>165</td> </tr> </table>	LENGTH: 96"	1	2	3	CM1	139	148	165	<p>Crown 2</p>  <table border="1" data-bbox="600 493 982 556"> <tr> <td>LENGTH: 96"</td> <td>1</td> <td>2</td> <td>3</td> </tr> <tr> <td>CM2</td> <td>139</td> <td>148</td> <td>165</td> </tr> </table>	LENGTH: 96"	1	2	3	CM2	139	148	165	<p>Crown 3</p>  <table border="1" data-bbox="1063 493 1453 556"> <tr> <td>LENGTH: 96"</td> <td>1</td> <td>2</td> <td>3</td> </tr> <tr> <td>CM3</td> <td>139</td> <td>148</td> <td>165</td> </tr> </table>	LENGTH: 96"	1	2	3	CM3	139	148	165	
LENGTH: 96"	1	2	3																								
CM1	139	148	165																								
LENGTH: 96"	1	2	3																								
CM2	139	148	165																								
LENGTH: 96"	1	2	3																								
CM3	139	148	165																								
<p>Crown 4</p>  <table border="1" data-bbox="121 934 503 997"> <tr> <td>LENGTH: 96"</td> <td>1</td> <td>2</td> <td>3</td> </tr> <tr> <td>CM4</td> <td>139</td> <td>148</td> <td>165</td> </tr> </table>	LENGTH: 96"	1	2	3	CM4	139	148	165	<p>Crown Plate - 1-1/8"</p>  <table border="1" data-bbox="600 934 982 997"> <tr> <td>LENGTH: 96"</td> <td>1</td> <td>2</td> <td>3</td> </tr> <tr> <td>CP9</td> <td>158</td> <td>166</td> <td>183</td> </tr> </table>	LENGTH: 96"	1	2	3	CP9	158	166	183	<p>Crown Plate - 2"</p>  <table border="1" data-bbox="1063 934 1453 997"> <tr> <td>LENGTH: 96"</td> <td>1</td> <td>2</td> <td>3</td> </tr> <tr> <td>CP7</td> <td>158</td> <td>166</td> <td>183</td> </tr> </table>	LENGTH: 96"	1	2	3	CP7	158	166	183	
LENGTH: 96"	1	2	3																								
CM4	139	148	165																								
LENGTH: 96"	1	2	3																								
CP9	158	166	183																								
LENGTH: 96"	1	2	3																								
CP7	158	166	183																								
<p>Crown Plate - 2-1/8"</p>  <table border="1" data-bbox="121 1386 503 1449"> <tr> <td>LENGTH: 96"</td> <td>1</td> <td>2</td> <td>3</td> </tr> <tr> <td>CP8</td> <td>158</td> <td>166</td> <td>183</td> </tr> </table>	LENGTH: 96"	1	2	3	CP8	158	166	183	<p>Base 1</p>  <table border="1" data-bbox="600 1386 982 1449"> <tr> <td>LENGTH: 96"</td> <td>1</td> <td>2</td> <td>3</td> </tr> <tr> <td>BA1</td> <td>139</td> <td>148</td> <td>165</td> </tr> </table>	LENGTH: 96"	1	2	3	BA1	139	148	165	<p>Base 2</p>  <table border="1" data-bbox="1063 1386 1453 1449"> <tr> <td>LENGTH: 96"</td> <td>1</td> <td>2</td> <td>3</td> </tr> <tr> <td>BA2</td> <td>139</td> <td>148</td> <td>165</td> </tr> </table>	LENGTH: 96"	1	2	3	BA2	139	148	165	
LENGTH: 96"	1	2	3																								
CP8	158	166	183																								
LENGTH: 96"	1	2	3																								
BA1	139	148	165																								
LENGTH: 96"	1	2	3																								
BA2	139	148	165																								
<p>Nail Strip A</p>  <table border="1" data-bbox="121 1837 503 1900"> <tr> <td>LENGTH: 96"</td> <td>1</td> <td>2</td> <td>3</td> </tr> <tr> <td>NSA</td> <td>200</td> <td>207</td> <td>229</td> </tr> </table>	LENGTH: 96"	1	2	3	NSA	200	207	229	<p>Nail Strip B</p>  <table border="1" data-bbox="600 1837 982 1900"> <tr> <td>LENGTH: 96"</td> <td>1</td> <td>2</td> <td>3</td> </tr> <tr> <td>NSB</td> <td>200</td> <td>207</td> <td>229</td> </tr> </table>	LENGTH: 96"	1	2	3	NSB	200	207	229	<table border="1" data-bbox="1055 1669 1469 1879"> <thead> <tr> <th colspan="3">Thermofoil Price Categories</th> </tr> <tr> <th>1</th> <th>2</th> <th>3</th> </tr> </thead> <tbody> <tr> <td>White</td> <td>Caramel Chai Chocolate Creme</td> <td>W. Alder W. Mahogany</td> </tr> </tbody> </table>	Thermofoil Price Categories			1	2	3	White	Caramel Chai Chocolate Creme	W. Alder W. Mahogany
LENGTH: 96"	1	2	3																								
NSA	200	207	229																								
LENGTH: 96"	1	2	3																								
NSB	200	207	229																								
Thermofoil Price Categories																											
1	2	3																									
White	Caramel Chai Chocolate Creme	W. Alder W. Mahogany																									

COMPONENTS - Thermofoil Mouldings

<p>Half Round</p>  <table border="1" data-bbox="159 491 540 554"> <tr> <td>LENGTH: 96"</td> <td>1</td> <td>2</td> <td>3</td> </tr> <tr> <td>TR1</td> <td>105</td> <td>112</td> <td>127</td> </tr> </table>	LENGTH: 96"	1	2	3	TR1	105	112	127	<p>Trim - 3/4"</p>  <table border="1" data-bbox="644 491 1026 554"> <tr> <td>LENGTH: 96"</td> <td>1</td> <td>2</td> <td>3</td> </tr> <tr> <td>TR2</td> <td>105</td> <td>112</td> <td>127</td> </tr> </table>	LENGTH: 96"	1	2	3	TR2	105	112	127	<p>Trim - 1-1/2"</p>  <table border="1" data-bbox="1105 491 1487 554"> <tr> <td>LENGTH: 96"</td> <td>1</td> <td>2</td> <td>3</td> </tr> <tr> <td>TR3</td> <td>105</td> <td>112</td> <td>127</td> </tr> </table>	LENGTH: 96"	1	2	3	TR3	105	112	127				
LENGTH: 96"	1	2	3																											
TR1	105	112	127																											
LENGTH: 96"	1	2	3																											
TR2	105	112	127																											
LENGTH: 96"	1	2	3																											
TR3	105	112	127																											
<p>Trim - 1-1/2"</p>  <table border="1" data-bbox="159 932 540 995"> <tr> <td>LENGTH: 96"</td> <td>1</td> <td>2</td> <td>3</td> </tr> <tr> <td>TR4</td> <td>105</td> <td>112</td> <td>127</td> </tr> </table>	LENGTH: 96"	1	2	3	TR4	105	112	127	<p>Trim - 1"</p>  <table border="1" data-bbox="644 932 1026 995"> <tr> <td>LENGTH: 96"</td> <td>1</td> <td>2</td> <td>3</td> </tr> <tr> <td>TR7</td> <td>105</td> <td>112</td> <td>127</td> </tr> </table>	LENGTH: 96"	1	2	3	TR7	105	112	127	<p>Cove</p>  <table border="1" data-bbox="1105 932 1487 995"> <tr> <td>LENGTH: 96"</td> <td>1</td> <td>2</td> <td>3</td> </tr> <tr> <td>TR6</td> <td>105</td> <td>112</td> <td>144</td> </tr> </table>	LENGTH: 96"	1	2	3	TR6	105	112	144				
LENGTH: 96"	1	2	3																											
TR4	105	112	127																											
LENGTH: 96"	1	2	3																											
TR7	105	112	127																											
LENGTH: 96"	1	2	3																											
TR6	105	112	144																											
<p>Outside Corner</p>  <table border="1" data-bbox="159 1394 540 1457"> <tr> <td>LENGTH: 96"</td> <td>1</td> <td>2</td> <td>3</td> </tr> <tr> <td>TR5</td> <td>105</td> <td>112</td> <td>144</td> </tr> </table>	LENGTH: 96"	1	2	3	TR5	105	112	144	<p>Scribe Filler</p> <ul style="list-style-type: none"> • PBD substrate melamine finish • Finished 1 face & short edges  <table border="1" data-bbox="644 1373 1026 1436"> <tr> <td>LENGTH: 96"</td> <td>1</td> <td>2</td> <td>3</td> </tr> <tr> <td>SF396</td> <td>63</td> <td>71</td> <td>76</td> </tr> </table> <p>• For a filler with all edges finished, order a 3/4" CLCP3X96-Y</p>	LENGTH: 96"	1	2	3	SF396	63	71	76	<p>Rosette Bullseye - 2-1/2" & 3-1/2"</p>  <table border="1" data-bbox="1105 1373 1487 1478"> <tr> <td></td> <td>1</td> <td>2</td> <td>3</td> </tr> <tr> <td>RB2.5</td> <td>31</td> <td>34</td> <td>44</td> </tr> <tr> <td>RB3.5</td> <td>31</td> <td>34</td> <td>44</td> </tr> </table>		1	2	3	RB2.5	31	34	44	RB3.5	31	34	44
LENGTH: 96"	1	2	3																											
TR5	105	112	144																											
LENGTH: 96"	1	2	3																											
SF396	63	71	76																											
	1	2	3																											
RB2.5	31	34	44																											
RB3.5	31	34	44																											
<p>Fluted Casing - 2"</p>  <table border="1" data-bbox="159 1814 540 1877"> <tr> <td>LENGTH: 96"</td> <td>1</td> <td>2</td> <td>3</td> </tr> <tr> <td>FLC2</td> <td>158</td> <td>173</td> <td>192</td> </tr> </table>	LENGTH: 96"	1	2	3	FLC2	158	173	192	<p>Fluted Casing - 3"</p> <p>Flutes run full length</p>  <table border="1" data-bbox="644 1814 1026 1877"> <tr> <td>LENGTH: 96"</td> <td>1</td> <td>2</td> <td>3</td> </tr> <tr> <td>FLC3</td> <td>158</td> <td>173</td> <td>192</td> </tr> </table>	LENGTH: 96"	1	2	3	FLC3	158	173	192	<table border="1" data-bbox="1105 1654 1515 1864"> <thead> <tr> <th colspan="3">Thermofoil Price Categories</th> </tr> <tr> <th>1</th> <th>2</th> <th>3</th> </tr> </thead> <tbody> <tr> <td>White</td> <td>Caramel Chai Chocolate Creme</td> <td>W. Alder W. Mahogany</td> </tr> </tbody> </table>	Thermofoil Price Categories			1	2	3	White	Caramel Chai Chocolate Creme	W. Alder W. Mahogany			
LENGTH: 96"	1	2	3																											
FLC2	158	173	192																											
LENGTH: 96"	1	2	3																											
FLC3	158	173	192																											
Thermofoil Price Categories																														
1	2	3																												
White	Caramel Chai Chocolate Creme	W. Alder W. Mahogany																												

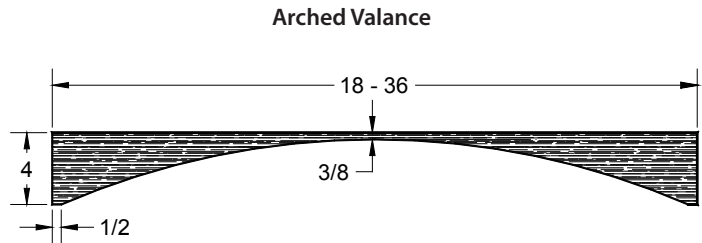
COMPONENTS - Thermofoil Valances

Valances - Arched, Country & Curve

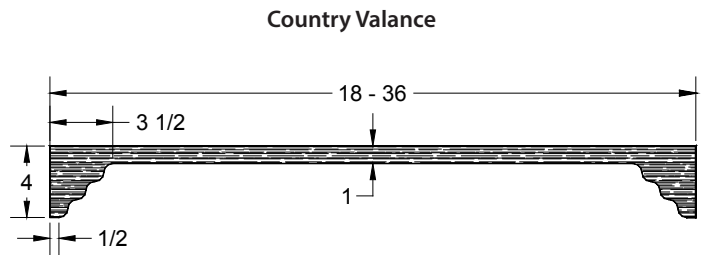
Modification Limits	
N/A	No modifications

- Includes surface mount RTA (SMRTA) clips to install between panels or onto shelves
- Widths: 18" | 24" | 30" | 36"
- Available in Thermofoil colors only

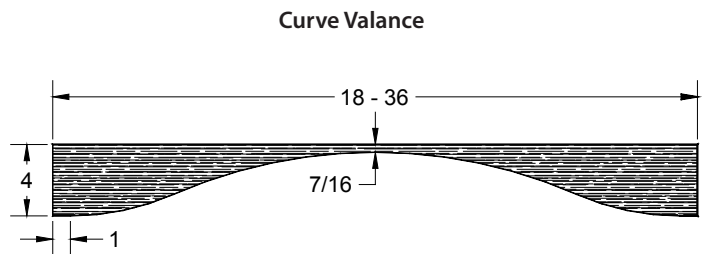
Arched	1	2	3
ARV18	158	170	192
ARV24	210	226	256
ARV30	263	282	319
ARV36	315	339	383



Country	1	2	3
CYV18	158	170	192
CYV24	210	226	256
CYV30	263	282	319
CYV36	315	339	383



Curve	1	2	3
CRV18	158	170	192
CRV24	210	226	256
CRV30	263	282	319
CRV36	315	339	383



Thermofoil Price Categories		
1	2	3
White	Caramel Chai Chocolate Creme	W. Alder W. Mahogany

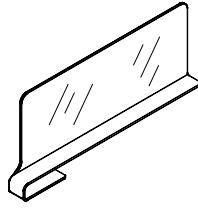
COMPONENTS

<< Intentionally Blank >>

ACCESSORIES - Shelf & Drawer Organizers

Shelf Divider

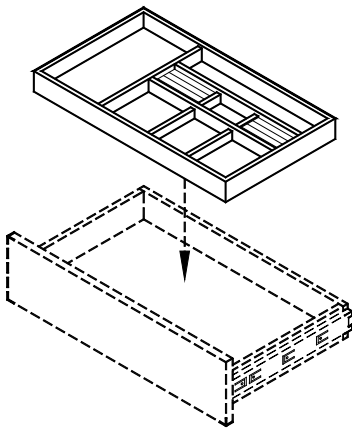
- Clear plastic divider is held in place by integrated clip
- D: 14" | H: 5" and 8"



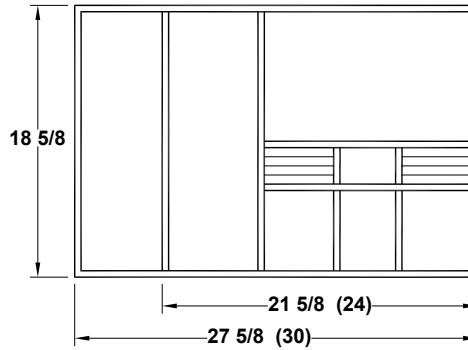
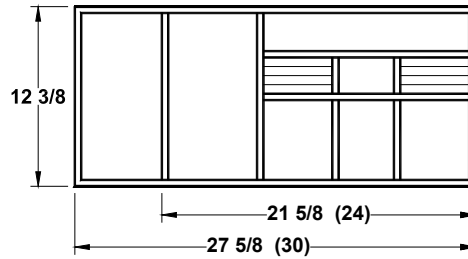
Shelf Divider	H	MSRP
SDCP145	5"	68
SDCP148	8"	75

Jewelry Trays

- Black velvet tray inserts fit into 24" or 30" wide drawers
- Trays - D: 14" and 22" | H: 2"
- Each size available in 2 pre-designed layouts (A or B)



INSERT A



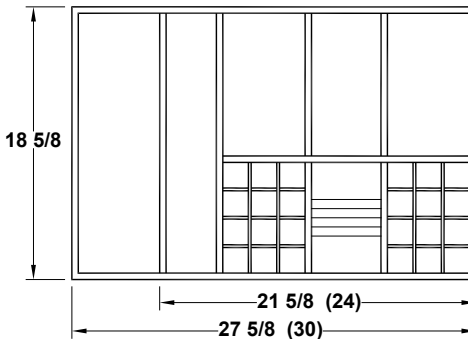
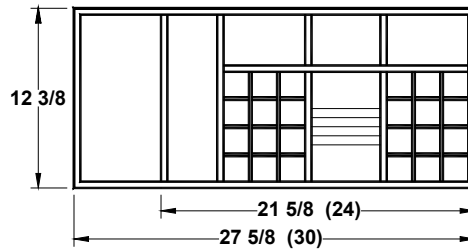
Jewelry Tray A - 14" D	MSRP
JTA2414BV	237
JTA3014BV	253

24" W:
6 compartments | 2 ring pads

30" W:
7 compartments | 2 ring pads

Jewelry Tray A - 22" D	MSRP
JTA2422BV	237
JTA3022BV	253

INSERT B



Jewelry Tray B - 14" D	MSRP
JTB2414BV	287
JTB3014BV	361

24" W:
28 compartments | 1 ring pad

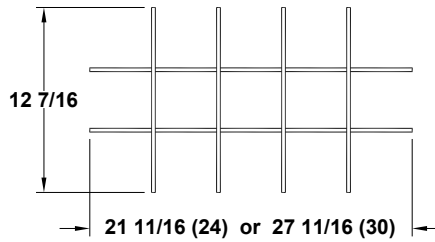
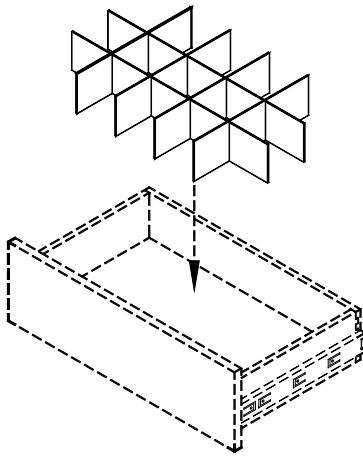
30" W:
29 compartments | 1 ring pad

Jewelry Tray B - 22" D	MSRP
JTB2422BV	287
JTB3022BV	361

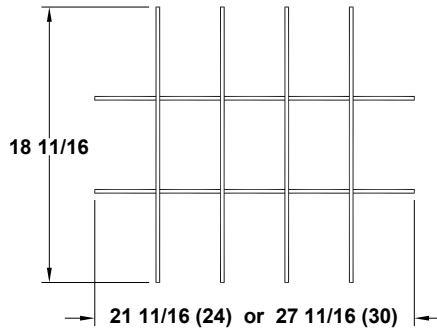
ACCESSORIES - Drawer Organizers

Interlocking Drawer Cubbies

- 1/4" thick, beige PVC material
- Interlocks to create up to 15 cubbies
- D: 14" and 22" | H: 3-3/4"
- Designed to fit drawers:
 - 24" or 30" W
 - 7" or 11" H



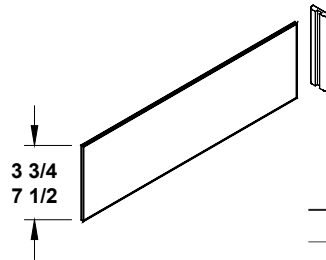
Cubbies - 14" D		MSRP
IDC2414		273
IDC3014		287



Cubbies - 22" D		MSRP
IDC2422		324
IDC3022		338

Single Dividers and Ends

- Customize your drawer storage
- 1/4" thick, beige PVC material
- Available in pre-cut sizes to fit 7" or 11" H closet drawers
- Each divider comes with a pair of 1" W divider ends (except 36")
 - Extra sets of divider ends may be ordered loose

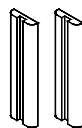


	3-3/4" H	MSRP	Fits Drawer		Ends Incl.
			H	D	
DD3.75PB14	75	7	14	✓	
DD3.75PB22	95	7	22	✓	
DD3.75PB24	102	7	24	✓	
DD3.75PB36	83	7	cut	N/A	

36" Long Dividers

- Order and cut-to-fit at jobsite
- To determine length, deduct 5/16" from drawer opening
- Ends are not included with 36" dividers - order sets separately

	7-1/2" H	MSRP	Fits Drawer		Ends Incl.
			H	D	
DD7.5PB14	86	11	14	✓	
DD7.5PB22	110	11	22	✓	
DD7.5PB24	117	11	24	✓	
DD7.5PB36	98	11	cut	N/A	

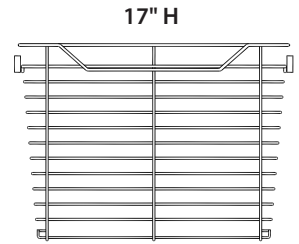
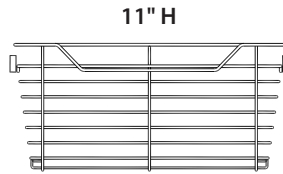
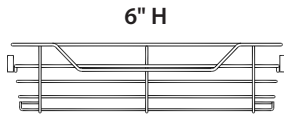


Loose Ends (sold in pairs)	MSRP
DDE3.75	34
DDE7.5	41

ACCESSORIES - Wire Baskets

Wire Baskets

- Baskets are 14" D
- Available in three finishes
- Full-extension, ball-bearing slide included with basket



6" H - WIRE BASKET

Width	Polished Chrome	MSRP	Satin Nickel	MSRP	Oil Rubbed Bronze	MSRP
18"	WB180614PC	149	WB180614SN	170	WB180614ORB	173
24"	WB240614PC	183	WB240614SN	217	WB240614ORB	187
30"	WB300614PC	195	WB300614SN	215	WB300614ORB	212

11" H - WIRE BASKET

18"	WB181114PC	175	WB181114SN	188	WB181114ORB	195
24"	WB241114PC	222	WB241114SN	227	WB241114ORB	237
30"	WB301114PC	210	WB301114SN	271	WB301114ORB	241

17" H - WIRE BASKET

18"	WB181714PC	209	WB181714SN	229	WB181714ORB	256
24"	WB241714PC	253	WB241714SN	258	WB241714ORB	273
30"	WB301714PC	293	WB301714SN	278	WB301714ORB	305

Canvas Basket Liner

- Velcro-tabbed canvas liner



6" H - CANVAS LINER

Width	Item Name	MSRP
18"	BINS1806C	59
24"	BINS2406C	63
30"	BINS3006C	64

11" H - CANVAS LINER

18"	BINS1811C	68
24"	BINS2411C	71
30"	BINS3011C	78

17" H - CANVAS LINER

18"	BINS1817C	80
24"	BINS2417C	90
30"	BINS3017C	100

Plastic Basket Liner

- Translucent, rigid plastic liner for bottom of basket



6" H - PLASTIC LINER

Width	Item Name	MSRP
18"	BBL1806P	15
24"	BBL2406P	20
30"	BBL3006P	24

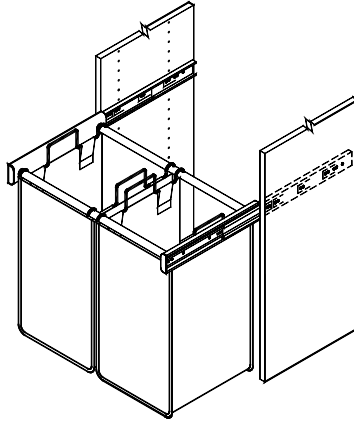
11" - 17" H - PLASTIC LINER

18"	BBL1811-17P	12
24"	BBL2411-17P	17
30"	BBL3011-17P	22

ACCESSORIES - Hampers

Hamper Pull-out with Bag(s)

- Anodized aluminum frame with full-extension slides
- Frame available in three finishes
- Removable, black nylon bags have built-in handles
- Minimum vertical clearance: 25-3/4"
- Slide install location:
 - From bottom surface, measure up to system hole at 22-3/8" (on center)
 - Recommended to skip 2 holes below a shelf
- H: 20-7/8" | D: 14"

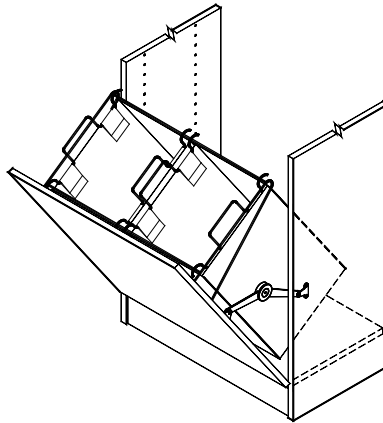


HAMPER PULL-OUT

Width	Polished Chrome	MSRP	Satin Nickel	MSRP	Oil Rubbed Bronze	MSRP
18" (1 bag)	HPO18PC	475	HPO18SN	475	HPO18ORB	497
24" (2 bags)	HPO24PC	546	HPO24SN	546	HPO24ORB	572
30" (2 bags)	HPO30PC	631	HPO30SN	631	HPO30ORB	661

Hamper Tilt-out with Bag(s)

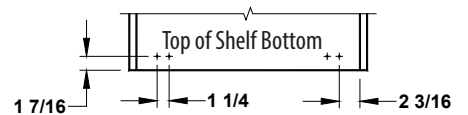
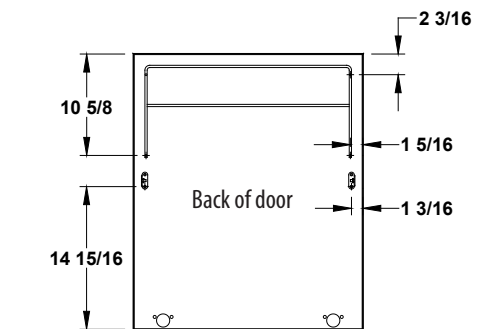
- Steel, black epoxy-coated frame mounts to back of tilt-out door
- Black nylon bags have built-in, coated metal handles
- Hamper Tilt-out consists of hardware, frame and bag(s)
 - **Hamper door must be ordered separately**
- H: 23-5/8" | D: 13-9/16"



FOR COMPLETE HAMPER ORDER:

- Hamper Tilt-out (HTO)
- Loose door (see chart)
- Decorative Hardware
- Fixed shelf for above door (SF_)
- Bottom shelf for below door (SB_)

HARDWARE MOUNTING LOCATIONS



Door includes (2) inMotion hinges and flap stays

HAMPER TILT-OUT

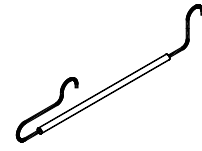
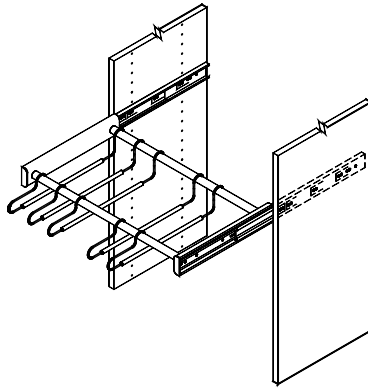
HAMPER DOOR

Width	Hamper	MSRP	Fits w/loose door	W	H
18" (1 large bag)	HTO18BLK	117	DR1928HTO	18-5/8	28-7/8
24" (2 small bags)	HTO24BLK	142	DR2528HTO	24-5/8	28-7/8
30" (1 lg, 1 sm bag)	HTO30BLK	151	DR3128HTO	30-5/8	28-7/8

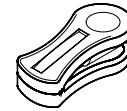
ACCESSORIES - Wardrobe Storage

Pants Rack Pull-out

- Anodized aluminum frame has 14" D full-extension slides
- Frame available in three finishes
- Black epoxy-coated steel hangers (included) have black, non-slip cover
- Pull-out is 18" from back wall when closed and 32" when fully extended
- Recommended to skip 1 hole below a shelf, then install
- Additional hangers and/or garment clips may be ordered separately



Hanger Set (18 pcs)	MSRP
WPHS-BLK	321



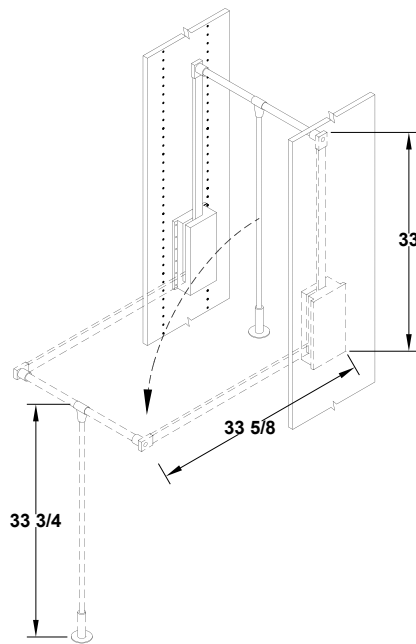
Garment Clips (10 pcs)	MSRP
GCS-BLK	76

PANTS RACK PULL-OUT

Width	Polished Chrome	MSRP	Satin Nickel	MSRP	Oil Rubbed Bronze	MSRP
18" (12 hangers)	PRPO18PC	561	PRPO18SN	561	PRPO18ORB	577
24" (18 hangers)	PRPO24PC	665	PRPO24SN	665	PRPO24ORB	665
30" (24 hangers)	PRPO30PC	773	PRPO30SN	773	PRPO30ORB	789

Wardrobe Lift

- Handle with reinforced "T" bracket pulls rod out and down
- Available in black or polished chrome finish
- Installs on 14", 22" and 24" D vertical panels
- Installation instructions and mounting hardware included
- Note: Wire and metal hangers may scratch finishes
- H: 33" | Min. 36" H vertical clearance needed - measure from center of top bar to top of shelf below



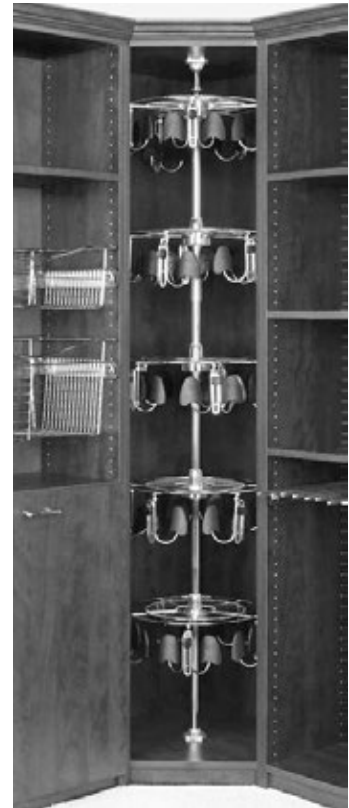
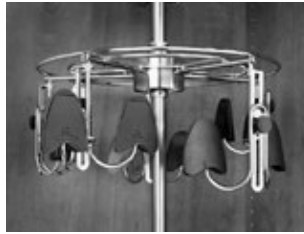
WARDROBE LIFT

Size	Fits opening W	Weight capacity	Black	MSRP	Polished Chrome	MSRP
Small	20-1/16" – 26"	26 lbs	WLS-BLK	300	WLS-PC	327
Medium	26" – 35-1/16"	26 lbs	WLM-BLK	302	WLM-PC	332
Large/Heavy-Duty	35-1/16" – 47-5/8"	33 lbs	WLLHD-BLK	310	WLLHD-PC	338

ACCESSORIES - Wardrobe Storage

Lazy Shoe-Zen

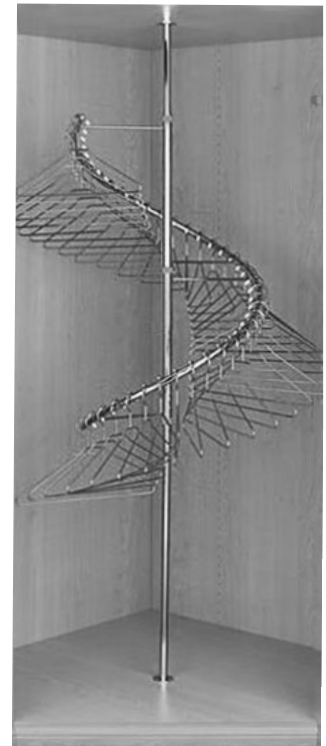
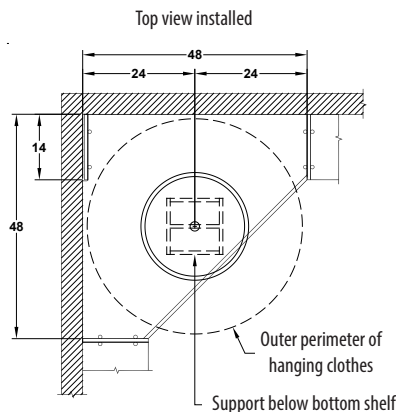
- Chrome, 5 tiered, rotating shoe organizer
- Fits up to a 96" H opening and can be trimmed for shorter applications
- Designed for 24" x 24" corner or straight run application
- Must be floor-mounted to a bottom shelf or the floor
- Men's or women's version available
- Shelves:
 - Rotate 360° individually
 - Each includes a clear acrylic insert on top to hold small items
 - Height is adjustable (recommend 15" of distance between)
- Shoe Horns:
 - High grade black plastic tops
 - Each set can be adjusted vertically
 - Each set rotates 360°



Lazy Shoe-zen	MSRP	Type
CLSZW5	2057	Womens (25 pairs)
CLSZM5	1939	Mens (20 pairs)







Spiral Clothes Rack

- Chrome, 360° rotating organizer for hanging clothes
- Height is adjustable to fit 72-1/2" to 84" openings
- Designed for 48" x 48" corner application
- Must be floor-mounted to a bottom shelf or to floor
 - Recommend installing additional support under clothes rack, below the bottom shelf (see image)
- Holds up to 40 single garments (weight capacity 130 lbs)
- Hangers not included



Spiral Rack	MSRP
SCR	856

ACCESSORIES - Slide-out Racks, Poles & Hooks

<ul style="list-style-type: none"> Racks are anodized aluminum with black PVC components Mount to side of panel Available in 3 finishes: <ul style="list-style-type: none"> PC - Polished Chrome SN - Satin Nickel ORB - Oil Rubbed Bronze 	<h3>Belt Rack</h3> <ul style="list-style-type: none"> Includes 6 sets of hooks W: 2-3/16" H: 1-11/16" D: 14-1/8"  <table border="1"> <thead> <tr> <th>Belt Rack Slide</th> <th>MSRP</th> </tr> </thead> <tbody> <tr> <td>BRS-PC</td> <td>168</td> </tr> <tr> <td>BRS-SN</td> <td>168</td> </tr> <tr> <td>BRS-ORB</td> <td>178</td> </tr> </tbody> </table>	Belt Rack Slide	MSRP	BRS-PC	168	BRS-SN	168	BRS-ORB	178	<h3>Clothes Hook</h3> <ul style="list-style-type: none"> Zinc die-cast construction 3 pivoting hooks Mounting screws included W: 1" H: 2-1/2" D: 3"  <table border="1"> <thead> <tr> <th>Clothes Hook</th> <th>MSRP</th> </tr> </thead> <tbody> <tr> <td>CH3-PC</td> <td>68</td> </tr> <tr> <td>CH3-SN</td> <td>68</td> </tr> <tr> <td>CH3-ORB</td> <td>76</td> </tr> </tbody> </table>	Clothes Hook	MSRP	CH3-PC	68	CH3-SN	68	CH3-ORB	76																																
Belt Rack Slide	MSRP																																																	
BRS-PC	168																																																	
BRS-SN	168																																																	
BRS-ORB	178																																																	
Clothes Hook	MSRP																																																	
CH3-PC	68																																																	
CH3-SN	68																																																	
CH3-ORB	76																																																	
<h3>4 Hook Rack</h3> <ul style="list-style-type: none"> Includes 4 fixed hooks W: 1-7/8" H: 1-11/16" D: 13-1/2"  <table border="1"> <thead> <tr> <th>4 Hook Rack</th> <th>MSRP</th> </tr> </thead> <tbody> <tr> <td>HR4F-PC</td> <td>126</td> </tr> <tr> <td>HR4F-SN</td> <td>126</td> </tr> <tr> <td>HR4F-ORB</td> <td>132</td> </tr> </tbody> </table>	4 Hook Rack	MSRP	HR4F-PC	126	HR4F-SN	126	HR4F-ORB	132	<h3>Scarf Rack</h3> <ul style="list-style-type: none"> Includes 6 fixed loops W: 2-3/8" H: 1-11/16" D: 14-3/8"  <table border="1"> <thead> <tr> <th>Scarf Rack</th> <th>MSRP</th> </tr> </thead> <tbody> <tr> <td>SRS-PC</td> <td>171</td> </tr> <tr> <td>SRS-SN</td> <td>171</td> </tr> <tr> <td>SRS-ORB</td> <td>181</td> </tr> </tbody> </table>	Scarf Rack	MSRP	SRS-PC	171	SRS-SN	171	SRS-ORB	181																																	
4 Hook Rack	MSRP																																																	
HR4F-PC	126																																																	
HR4F-SN	126																																																	
HR4F-ORB	132																																																	
Scarf Rack	MSRP																																																	
SRS-PC	171																																																	
SRS-SN	171																																																	
SRS-ORB	181																																																	
<h3>Tie Rack</h3> <ul style="list-style-type: none"> Includes 20 fixed hooks W: 2-3/16" H: 1-11/16" D: 14-1/8"  <table border="1"> <thead> <tr> <th>4 Hook Rack</th> <th>MSRP</th> </tr> </thead> <tbody> <tr> <td>TRS-PC</td> <td>168</td> </tr> <tr> <td>TRS-SN</td> <td>168</td> </tr> <tr> <td>TRS-ORB</td> <td>178</td> </tr> </tbody> </table>	4 Hook Rack	MSRP	TRS-PC	168	TRS-SN	168	TRS-ORB	178	<h3>Telescopic Valet</h3> <ul style="list-style-type: none"> For garment bags & hangers W: 1-1/16" H: 1-7/8" D: 14-1/4"  <table border="1"> <thead> <tr> <th>Telesc. Valet</th> <th>MSRP</th> </tr> </thead> <tbody> <tr> <td>VSMT-PC</td> <td>165</td> </tr> <tr> <td>VSMT-SN</td> <td>165</td> </tr> <tr> <td>VSMT-ORB</td> <td>175</td> </tr> </tbody> </table>	Telesc. Valet	MSRP	VSMT-PC	165	VSMT-SN	165	VSMT-ORB	175																																	
4 Hook Rack	MSRP																																																	
TRS-PC	168																																																	
TRS-SN	168																																																	
TRS-ORB	178																																																	
Telesc. Valet	MSRP																																																	
VSMT-PC	165																																																	
VSMT-SN	165																																																	
VSMT-ORB	175																																																	
<h3>Closet Poles & Cups</h3> <ul style="list-style-type: none"> 1-5/16" anodized aluminum Recommended to skip 1 hole below a shelf, then install cup hooks Order 96" length to cut at jobsite or order cut-to-fit Deluxe pole is grooved to hold a PVC scratch guard insert <p>Full 96" Length:</p> <ul style="list-style-type: none"> Cut 1/4" less than panel opening to fit into cups Cup set is not included (order qty needed) <p>Cut-to-Fit:</p> <ul style="list-style-type: none"> Order in 1/4" increments from 12-96" Call out panel opening width for size Cut length is 1/4" less than panel opening Cup set is included (MSRP is added to final cut price) <p>Cup sets:</p> <ul style="list-style-type: none"> Standard: 2 pins for installing into system holes and single hole for screw mounting (screw not included) Deluxe: two-piece design with 2 pins for installing into system holes 	 <table border="1"> <thead> <tr> <th>Standard Pole - 96"</th> <th>MSRP</th> </tr> </thead> <tbody> <tr> <td>CPS96-PC</td> <td>126</td> </tr> <tr> <td>CPS96-SN</td> <td>120</td> </tr> <tr> <td>CPS96-ORB</td> <td>144</td> </tr> </tbody> </table> <table border="1"> <thead> <tr> <th>Standard Pole - Cut</th> <th>MSRP</th> </tr> </thead> <tbody> <tr> <td>CPS (Opg. width)-PC</td> <td>20 LF</td> </tr> <tr> <td>CPS (Opg. width)-SN</td> <td>19 LF</td> </tr> <tr> <td>CPS (Opg. width)-ORB</td> <td>22 LF</td> </tr> </tbody> </table>  <table border="1"> <thead> <tr> <th>Deluxe Pole - 96"</th> <th>MSRP</th> </tr> </thead> <tbody> <tr> <td>CPD96-PC</td> <td>190</td> </tr> <tr> <td>CPD96-SN</td> <td>190</td> </tr> <tr> <td>CPD96-ORB</td> <td>207</td> </tr> </tbody> </table> <table border="1"> <thead> <tr> <th>Deluxe Pole - Cut</th> <th>MSRP</th> </tr> </thead> <tbody> <tr> <td>CPD (Opg. width)-PC</td> <td>29 LF</td> </tr> <tr> <td>CPD (Opg. width)-SN</td> <td>29 LF</td> </tr> <tr> <td>CPD (Opg. width)-ORB</td> <td>31 LF</td> </tr> </tbody> </table> <p>* Price note: for cut-to-fit, round up to whole LF then x by MSRP and + cup set MSRP = Total</p>	Standard Pole - 96"	MSRP	CPS96-PC	126	CPS96-SN	120	CPS96-ORB	144	Standard Pole - Cut	MSRP	CPS (Opg. width)-PC	20 LF	CPS (Opg. width)-SN	19 LF	CPS (Opg. width)-ORB	22 LF	Deluxe Pole - 96"	MSRP	CPD96-PC	190	CPD96-SN	190	CPD96-ORB	207	Deluxe Pole - Cut	MSRP	CPD (Opg. width)-PC	29 LF	CPD (Opg. width)-SN	29 LF	CPD (Opg. width)-ORB	31 LF	 <table border="1"> <thead> <tr> <th>Standard Cup Set</th> <th>MSRP</th> </tr> </thead> <tbody> <tr> <td>CPCS-PC</td> <td>19</td> </tr> <tr> <td>CPCS-SN</td> <td>19</td> </tr> <tr> <td>CPCS-ORB</td> <td>22</td> </tr> </tbody> </table>  <table border="1"> <thead> <tr> <th>Deluxe Cup Set</th> <th>MSRP</th> </tr> </thead> <tbody> <tr> <td>CPCD-PC</td> <td>31</td> </tr> <tr> <td>CPCD-SN</td> <td>31</td> </tr> <tr> <td>CPCD-ORB</td> <td>31</td> </tr> </tbody> </table>	Standard Cup Set	MSRP	CPCS-PC	19	CPCS-SN	19	CPCS-ORB	22	Deluxe Cup Set	MSRP	CPCD-PC	31	CPCD-SN	31	CPCD-ORB	31
Standard Pole - 96"	MSRP																																																	
CPS96-PC	126																																																	
CPS96-SN	120																																																	
CPS96-ORB	144																																																	
Standard Pole - Cut	MSRP																																																	
CPS (Opg. width)-PC	20 LF																																																	
CPS (Opg. width)-SN	19 LF																																																	
CPS (Opg. width)-ORB	22 LF																																																	
Deluxe Pole - 96"	MSRP																																																	
CPD96-PC	190																																																	
CPD96-SN	190																																																	
CPD96-ORB	207																																																	
Deluxe Pole - Cut	MSRP																																																	
CPD (Opg. width)-PC	29 LF																																																	
CPD (Opg. width)-SN	29 LF																																																	
CPD (Opg. width)-ORB	31 LF																																																	
Standard Cup Set	MSRP																																																	
CPCS-PC	19																																																	
CPCS-SN	19																																																	
CPCS-ORB	22																																																	
Deluxe Cup Set	MSRP																																																	
CPCD-PC	31																																																	
CPCD-SN	31																																																	
CPCD-ORB	31																																																	

ACCESSORIES - Ironing Board & Mirror

Pull & Swivel Ironing Board

- May be mounted to vertical panel or wall
- Requires 5-1/2" W and 57" H space for storage
- W: 13-1/2" (tapering to 5") | L: 38"
- Includes hardware, mounting instructions and canvas ironing board cover (also available separately)
- When extended, can swivel side-to-side up to 90° from mounting position
- Legs are adjustable for leveling
- Closes with hydraulic piston device



Fully extended (board surface is 36" H)



Folded up



Stored

Ironing Board	MSRP	Finish
PSIB-SILV	989	Silver Mist
PSIB-ORB	1021	Oil Rubbed Bronze
PSIBRC-C	129	Canvas (loose cover)

Pull & Swivel Mirror

- May be mounted to vertical panel or wall
- Requires 3" W, 50" H and 14" D space for storage
- W: 13-1/2" | H: 48" | D: 3/4"
- Hardware and mounting instructions included
- Pulls out on full-extension soft-close slides
- Swivels 90° from mounting position



Open



Stored

Mirror	MSRP	Finish
PSM-SILV	722	Silver Mist
PSM-ORB	862	Oil Rubbed Bronze

HARDWARE - Color Compatibility Guide

Color Compatibility

- Refer to this chart when ordering additional or replacement hardware
- Lists color of cams, plastic covers and brackets compatible with panel and shelf colors

PANEL/SHELF COLOR	CAMS	PLASTIC COVERS (SRCP, SBC, VTB & BCB14)	BRACKETS/CLIPS (ASLB & SMRTA)
MELAMINES			
Caramel	Brown	Brown	Brown
Chai	Brown	Brown	Brown
Chocolate	Black	Black	Brown
Creme	Almond	Almond	White
Western Alder	Brown	Brown	Brown
White	White	White	White
Windsor Mahogany	Brown	Brown	Brown

STAINS			
Caraway	Brown	Brown	Brown
Cayenne	Brown	Brown	Brown
Charcoal	Black	Black	Brown
Chicory	Brown	Brown	Brown
Cinnamon	Brown	Brown	Brown
Dune	Brown	Brown	Brown
Espresso	Black	Black	Brown
Graphite	Black	Black	Brown
Hazelnut	Brown	Brown	Brown
Honey	Brown	Brown	Brown
Java	Brown	Brown	Brown
Kona	Brown	Brown	Brown
Natural (on Alder, Beech, Cherry & Oak)	Brown	Brown	Brown
Natural (on Maple)	Almond	Almond	Brown
Pecan	Brown	Brown	Brown
Sable	Brown	Brown	Brown
Sea Drift	Almond	Almond	White
Shadow	Almond	Almond	White
Toffee	Brown	Brown	Brown

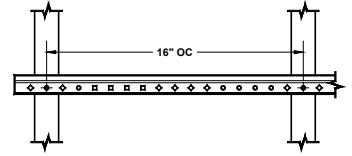
HARDWARE - Suspension Rail, Covers & Brackets

Suspension Rail

- Steel rail w/16" on-center mounting holes
- Hole pattern repeats to aid installation
- Includes (2) wall anchors and (6) #8 x 2" round washer head screws
- W: 1/4" | H: 1-3/16" | L: 98"



Standard rail cover (SRCP) partially installed



Suspension Rail - 98"	MSRP
SR98	41

Suspension Rail Covers

Standard Cover (SRCP)

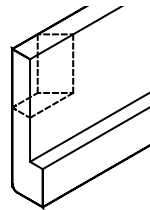
- Plastic cover snaps onto suspension rail
- Select colors using Color Compatibility Guide (page 74)



Std. Cover (ea.)	MSRP	Color
SRCP-ALM	15	Almond
SRCP-BLK	15	Black
SRCP-BRN	15	Brown
SRCP-WHT	15	White

Deluxe Cover (SRCD)

- Matches panel material
- Fits against wall between vertical panels, below top shelf
- Notched to install flat over rail
- H: 3" | D: 3/4" | L: 96"



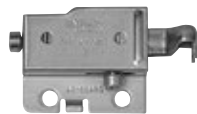
Installation Note:

1. Cut-to-size
2. Cut a 5/8" W x 1-1/4" H notch at each end with a 45° bevel to allow clearance for brackets

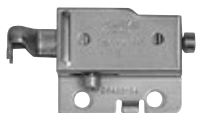
DELUXE COVER	Melamine			Wood
	1	2	3	4 & 5
SRCD96	White	Caramel Chai Chocolate Creme	W. Alder W. Mahogany	All species & stains
	139	154	165	231

Suspension Rail Bracket

- Adjustable steel bracket hangs on suspension rail
- W: 3/4" | H: 2" | L: 2-1/2"
- Mounts to vertical panel with (2) 13mm Euro screws (included)
- Bracket and cover included with vertical panels
 - Center orientation panels receive left & right parts
 - Left bracket attaches to right side of "Left" panel
 - Right bracket attaches to left side of "Right" panel



Front of SB-L



Front of SB-R

Bracket (ea.)	MSRP
SB-L (left)	10
SB-R (right)	10

Suspension Rail Bracket Covers

- Plastic cover attaches to suspension bracket hardware
- W: 3/4" | H: 2" | L: 2-1/2"
- Included with each vertical panel



Cover installed over bracket


Left Cover (ea.)	Right Cover (ea.)	MSRP	Color
SBC-L-ALM	SBC-R-ALM	2	Almond
SBC-L-BLK	SBC-R-BLK	2	Black
SBC-L-BRN	SBC-R-BRN	2	Brown
SBC-L-WHT	SBC-R-WHT	2	White

HARDWARE - Miscellaneous

- Use Color Compatibility guide to select appropriate color used with panel and shelf colors (see page 74)

Angle Support "L" Bracket

- Provides extra support when attaching floor-supported vertical panels
- Each bracket includes:
 - (1) #8 x 2" round washer head screw with #2 Phillips or square drive
 - (1) #10 x 1/2" Phillips panhead screw
- Order separate Wall Anchor (WA-Z) when stud or blocking not available




L Bracket (Pkg/10)	MSRP	Color
ASLB-B	20	Brown
ASLB-W*	20	White

* Used for white and creme panels

Wall Anchor


- Use to secure ASLB to wall when stud or blocking not available
- Zinc



Wall Anchor (Pkg/10)	MSRP
WA-Z	20

Vertical Triangle Bracket


- Plastic connector secures bottom of wall-hung vertical panel to wall
- Each bracket includes:
 - (1) #8 x 2" round washer head screw with #2 Phillips or square drive
 - (1) #10 x 1/2" Phillips panhead screw
- Cap snaps shut to conceal screws



Triangle Brkt (Pkg/10)	MSRP	Color
VTB-ALM	27	Almond
VTB-BLK	27	Black
VTB-BRN	27	Brown
VTB-WHT	27	White

Bridge Corner Bracket

- Bridges horizontal shelves joined at 90°
- fits 3/4" thick shelves
- Length may be cut at jobsite
- W: 1" | H: 1-1/2" | L: 14"




Installed

Bridge Brkt (ea.)	MSRP	Color
BCB14-ALM	8	Almond
BCB14-BLK	8	Black
BCB14-BRN	8	Brown
BCB14-WHT	8	White

Cam Drop-on


- Screw-locking drop-on cam
- Fits over 5mm dowel
- To tighten, turn screw 1/2 turn



Cam Drop-on (Pkg/20)	MSRP	Color
CAMDN-ALM	32	Almond
CAMDN-BLK	32	Black
CAMDN-BRN	32	Brown
CAMDN-WHT	32	White

Cam Drop-on Wedge

- Wedge-locking drop-on white cam
- Fits over 5mm dowel
- Compression fit



Wedge Cam (Pkg/20)	MSRP
CAMDW-WHT	20


Cam Drill Bit & Kit

Drill Bit (CDB)

- 20mm Forstner cam drill bit









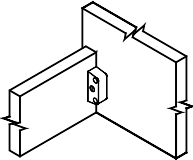
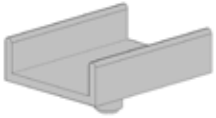
Drilling Kit (CDK)

- Assists with locating and drilling cam holes
- Kit includes:
 - Drill location fixture
 - Center punch
 - 20 mm drill bit (CBD)
 - Instructions



Cam Drilling (ea.)	MSRP	Item
CDB	73	Drill Bit
CDK	455	Kit

HARDWARE - Miscellaneous

<p>Dowel - Expanding</p> <ul style="list-style-type: none"> Standard expansion dowel Press in place  <table border="1" data-bbox="159 449 488 558"> <thead> <tr> <th>Dowel Expanding (Pkg/20)</th> <th>MSRP</th> </tr> </thead> <tbody> <tr> <td>DQE5X12</td> <td>12</td> </tr> </tbody> </table>	Dowel Expanding (Pkg/20)	MSRP	DQE5X12	12	<p>Dowel - Double-Ended</p> <ul style="list-style-type: none"> Use when attaching shelves in the same location on opposite sides of a common "Center" panel  <table border="1" data-bbox="561 449 891 558"> <thead> <tr> <th>Dowel Dbl-Ended (Pkg/10)</th> <th>MSRP</th> </tr> </thead> <tbody> <tr> <td>DDE19</td> <td>7</td> </tr> </tbody> </table>	Dowel Dbl-Ended (Pkg/10)	MSRP	DDE19	7	<p>Dowel - Screw-In</p> <p>DQ55X8</p> <ul style="list-style-type: none"> Use w/shelves when a shelf and accessory share a hole on opposite sides of a "Center" panel  <table border="1" data-bbox="1195 411 1528 558"> <thead> <tr> <th>Dowel Screw-In (Pkg/20)</th> <th>MSRP</th> </tr> </thead> <tbody> <tr> <td>DQ55X12</td> <td>10</td> </tr> <tr> <td>DQ55X8 (small)</td> <td>10</td> </tr> </tbody> </table> <p>DQ55X12 (shown)</p> <ul style="list-style-type: none"> Use #2 Phillips or Pozi-drive bit 	Dowel Screw-In (Pkg/20)	MSRP	DQ55X12	10	DQ55X8 (small)	10
Dowel Expanding (Pkg/20)	MSRP															
DQE5X12	12															
Dowel Dbl-Ended (Pkg/10)	MSRP															
DDE19	7															
Dowel Screw-In (Pkg/20)	MSRP															
DQ55X12	10															
DQ55X8 (small)	10															
<p>Shelf Support Pin</p> <ul style="list-style-type: none"> Nickel plated metal shelf support Fits 5mm hole  <table border="1" data-bbox="159 879 488 989"> <thead> <tr> <th>Shelf Support Pin (Pkg/20)</th> <th>MSRP</th> </tr> </thead> <tbody> <tr> <td>SSPM</td> <td>5</td> </tr> </tbody> </table>	Shelf Support Pin (Pkg/20)	MSRP	SSPM	5	<p>Connector Screws</p> <ul style="list-style-type: none"> Connects vertical panels to each other  <table border="1" data-bbox="561 879 891 989"> <thead> <tr> <th>Connector Screws (Pkg/50)</th> <th>MSRP</th> </tr> </thead> <tbody> <tr> <td>SCREWS-C</td> <td>54</td> </tr> </tbody> </table>	Connector Screws (Pkg/50)	MSRP	SCREWS-C	54	<p>Euro Screw - 10 mm & 13mm</p> <p>10mm</p> <ul style="list-style-type: none"> Used to mount hinges, guides and accessories to panels  <p>13mm</p>  <ul style="list-style-type: none"> Use to attach suspension bracket to panel <table border="1" data-bbox="1195 869 1528 989"> <thead> <tr> <th>Euro Screws (Pkg/20)</th> <th>MSRP</th> </tr> </thead> <tbody> <tr> <td>ES5X10 (10mm)</td> <td>7</td> </tr> <tr> <td>ES5X13 (13mm)</td> <td>2</td> </tr> </tbody> </table>	Euro Screws (Pkg/20)	MSRP	ES5X10 (10mm)	7	ES5X13 (13mm)	2
Shelf Support Pin (Pkg/20)	MSRP															
SSPM	5															
Connector Screws (Pkg/50)	MSRP															
SCREWS-C	54															
Euro Screws (Pkg/20)	MSRP															
ES5X10 (10mm)	7															
ES5X13 (13mm)	2															
<p>Surface Mount RTA Clips</p> <ul style="list-style-type: none"> Use to secure valances or toe fronts to vertical panels and/or shelves Includes (4) #6 x 1" flathead Phillips screws per clip   <table border="1" data-bbox="561 1289 891 1409"> <thead> <tr> <th>SMRTA Clip (Pkg/10)</th> <th>MSRP</th> </tr> </thead> <tbody> <tr> <td>SMRTA-BRN (Brown)</td> <td>29</td> </tr> <tr> <td>SMRTA-WHT (White)</td> <td>27</td> </tr> </tbody> </table>	SMRTA Clip (Pkg/10)	MSRP	SMRTA-BRN (Brown)	29	SMRTA-WHT (White)	27		<p>Vertical Divider Clip</p> <ul style="list-style-type: none"> Use with shelf or CLCP to create 3/4" thick vertical divider Fits 5mm holes Cut divider 1/8" shorter than opening  <table border="1" data-bbox="1195 1304 1528 1409"> <thead> <tr> <th>Vertical Divider (Pkg/20)</th> <th>MSRP</th> </tr> </thead> <tbody> <tr> <td>VDC19 (Clear)</td> <td>19</td> </tr> </tbody> </table>	Vertical Divider (Pkg/20)	MSRP	VDC19 (Clear)	19				
SMRTA Clip (Pkg/10)	MSRP															
SMRTA-BRN (Brown)	29															
SMRTA-WHT (White)	27															
Vertical Divider (Pkg/20)	MSRP															
VDC19 (Clear)	19															
<p>Bumper Pads</p> <ul style="list-style-type: none"> Clear pads adhere to backs of doors and drawer fronts <table border="1" data-bbox="167 1755 496 1864"> <thead> <tr> <th>Bumper Pads (Sheet/50)</th> <th>MSRP</th> </tr> </thead> <tbody> <tr> <td>BP7X2</td> <td>10</td> </tr> </tbody> </table>	Bumper Pads (Sheet/50)	MSRP	BP7X2	10	<p>Loose Edge Tape</p> <ul style="list-style-type: none"> Comes in 8' lengths Available in all wood and melamine colors W: 15/16" <table border="1" data-bbox="561 1745 850 1864"> <thead> <tr> <th>ETL-CL (ea.)</th> <th>MSRP</th> </tr> </thead> <tbody> <tr> <td>.5mm wood</td> <td>136</td> </tr> <tr> <td>1mm melamine</td> <td>51</td> </tr> </tbody> </table>	ETL-CL (ea.)	MSRP	.5mm wood	136	1mm melamine	51					
Bumper Pads (Sheet/50)	MSRP															
BP7X2	10															
ETL-CL (ea.)	MSRP															
.5mm wood	136															
1mm melamine	51															



**Your Style
With Our Solutions
Creates Home**



Canyon Creek offers framed and full access premium cabinet lines; a value frame-less line and Closets Plus for all of your storage needs.

Our standard design options and custom capabilities provide the flexibility to design within any budget. You can order it all with fixed lead times of as little as four weeks...

Canyon Creek Cabinet Company
16726 Tye St SE
Monroe, WA 98272

P: 800-228-1830
F: 800-787-0131

www.canyoncreek.com

Turning a packed, jumbled, messy closet into a tidy, organized space is easy, attainable, and life-changing for the homeowner.

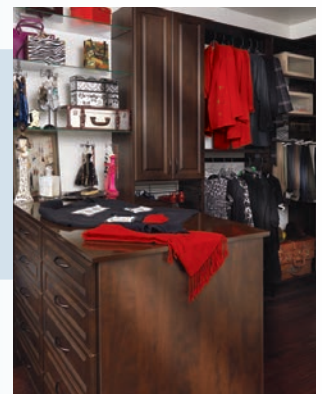
These design guidelines include a brief description of our closet system; key differences between reach-in and walk-in closets, and a variety of tips, photos and forms to get you started.

Glossary of Terms.....	2
Wall-Hang or Floor-Supported?	3
Designing a Reach-In Closet	4
Designing a Walk-In Closet	5
Closet Design Tips	7
Designing Around Obstacles	10
Useful Numbers	12
The Design Consultation	13
What is a Closet Designer?	15
Forms:	
Sketch Your Space	17
Closet Inventory	19

See inside for tips and information on:

- How placement of storage sections affects access
- Sizes of various garments, both hanging and folded
- Physical obstacles, and how to deal with them
- Determining type and amount of hanging sections
- What to do with corners

See the Closets Plus Price & Spec Guide for information on the materials, colors, and accessories offered. Components may be ordered individually, and many are available in pre-designed modules.



Glossary of Terms

Single Hang (SH) – lower section of short hang, upper section of shelves.

- This is one of the best, most useful configurations because both hanging items and items on shelves are easy to see and reach.
- **Mid Hang (MH)** – single pole with two to three shelves above, typically for hanging pants long (vs. folded in half over a hanger).
- **Long Hang (LH)** – single pole with one to two shelves above, used mostly for hanging dresses.

Double Hang (DH) – upper and lower short hanging in one section with two poles and a fixed shelf in between.

Poles – typically installed 11-5/16" from the back wall.

- Canyon Creek offers standard and deluxe options in a variety of finishes. The deluxe pole is grooved to hold a PVC scratch guard insert. Pole diameter is 1-5/16."

Vertical Panel – the vertical pieces of material that divide the sections or modules.

- Typically 87" and 96" in floor-based systems and 48" and 78" in hanging systems.

L-Brackets – shaped like an "L," used on vertical panels for stability (if necessary).

CAM – plastic fixture on the bottom of fixed shelves that screw into the vertical panel (to prevent horizontal shifting of the closet system). Shelves with CAM fittings require a screwdriver in order to be moved/adjusted.

Bridge Shelf – a connector shelf used to create a continuous storage shelf with two straight runs that are on adjacent walls. These can often be cut-to-fit in the field.

System Height – indicates the vertical measurement from the floor to the top shelf or finished height of the closet system. Predominantly 87" and 96," but can be any number.

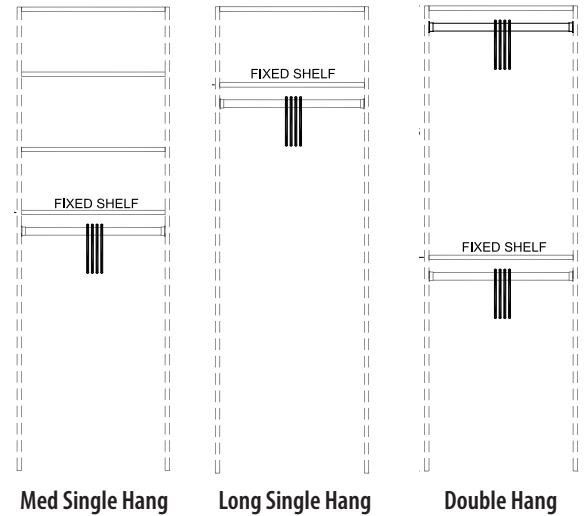
Inside Dimension – the actual width of the section between the vertical panels.

- Modules are called out by the inside dimensions.

Outside Dimension – the width of the entire section, including the vertical panels.

Hard Measurements – precise, wall-to-wall measurements of the actual space available.

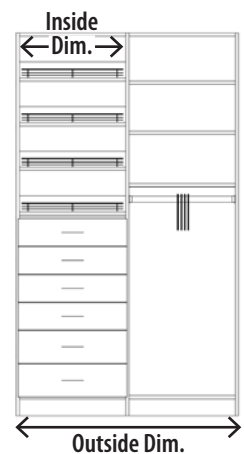
Soft Measurements – Refers to measurements of a closet system when the sections do not fill the entire space or do not extend wall-to-wall. These areas typically have bridge shelves that connect adjacent sections for continuous top shelf storage; we refer to these wall measurements as "soft" because there is some flexibility in fit.



CAM fitting



Bridge Shelf



Wall-Hanging or Floor-Supported?

Our closet systems are installed by using a metal hanging strip called a suspension rail. The suspension rail is anchored into the studs, and panels are attached to the suspension rail. With this system, the suspension rail remains visible, so clients will see the rail on the wall unless it is covered by one of our suspension rail covers. (Plastic or deluxe covers can be purchased separately.)

Because the basic structure is already in place, the suspension rail system creates a flexible layout that can be easily changed at any time. Closet poles, shelves, drawers and most accessories can be added or subtracted with evolving storage needs.



WALL-HANGING SYSTEM

- Panels do not rest on the floor, which allows for storage of oversized or heavy items on the floor, below the panels.
- Does not have the custom look of floor-supported systems.
- Easier to install.
- Allows latitude in height measurements.
- If sections are deeper than 14" the system should be floor-supported.

FLOOR-SUPPORTED SYSTEM

Combines the suspension rail system with additional support from the floor.

- Vertical panels rest on the floor and are attached to the suspension rails.
 - "L" brackets can be used to attach panels to walls. (Typically three per panel.)
- More material is required for bottom shelves and toe fronts.
 - Height measurements need to be more accurate.
- Baseboards on the side walls should be cut away for maximum use of space.
 - Vertical panels are typically installed 1/4" away from the return walls.
 - Shims can be used to level the system.
- Baseboard measurements are important because panels may be routed to accommodate the baseboard.
 - If the baseboards are higher than 4" it is often better to install baseboards after the closets are installed (in just the open space where there is no closet system).
 - Do not raise the bottom toe front to match the height of the baseboard because it forces the pole locations to be higher, and consequently harder to reach.



Note: It is not advisable to install suspension rail closet systems on a wall that contains a pocket door, as mounting the suspension rail may interfere with the door.

Designing a Reach-In Closet

Reach-in closets are generally wall-to-wall unless there is an obstacle, such as a structural element or a utility panel. When designing a reach-in, the fewer sections you divide the closet into the better, to make items more accessible. Fewer sections also means fewer vertical panels, which helps lower the price.



General Guidelines for Sections in a Reach-In:	
Width (Feet)	Sections
3	1 – 2
4	2
5	2 – 3
6	3
7	3 – 4
8	3 – 4
9	4
10	4 – 5

Design Considerations

Place hanging sections in the hard-to-reach areas like deep side returns, or in the middle section of a wide closet that has two openings with doors. When placing hanging in the middle space, try to go beyond the span of the front wall area so panels don't block access. (See example below.)

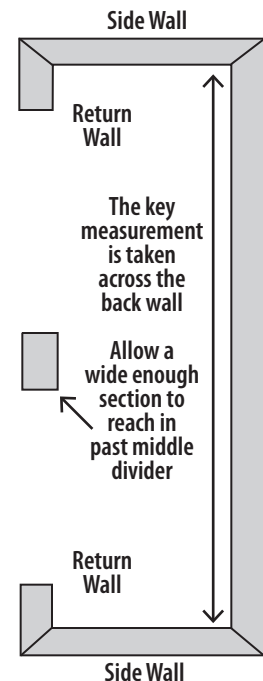
In a wide closet, if the visible wall between the doors is 20," the middle hanging section should be at least 36" wide—preferably 42" wide—to provide ample room to reach items.

- If there is an access panel or another obstacle on the back wall, design a hanging section in front of the panel that allows easy access (so the section spans the width of the access panel).
- Leave adequate space between the front of the system and the front wall of the closet. The deeper the panels, the harder it is to reach items, because there's less open space in front of the installed structure.
- If drawers or baskets are to be included, they need to be considered first and located so that they can be fully opened. Keep in mind that this may create a very small (16 to 18" wide) section between the side wall and the drawers, which is hard to access unless there are no return walls.
 - A bank of 18" wide drawers (instead of 24" wide) may improve accessibility.
- Most top shelves in reach-in closets accommodate large, soft items such as pillows and blankets. Once you install a 14" deep vertical panel, there is only 10" of open "front" space to fit things up and onto the top shelf.

Measuring the Space

The wall-to-wall measurement in all closets requires a "hard" measurement. Once the hard measurement is determined, subtract ¼" to ½" to allow for flexibility in your design. Generally, fillers are not used between walls and panels.

- Your key measurement for a reach-in is taken across the back wall. Clear access to the back wall is required—do not measure in front of the clothing! Take measurements from the bottom and top of walls in case the walls are not square.
- Measure depth of both side walls, return walls, ceiling, baseboard heights and obstacles.
- Remember: a depth of 24" or more is required to hang clothes. If the closet is less than 22" deep, avoid adding a hanging section.
- Standard heights are 87" and/or 96" from the floor. Anything higher would be difficult to access because of the front header.



Designing a Walk-In Closet

Walk-in closets can be a simple L-shape with a couple of hanging sections and a few shelves, or an elaborate U-shape with many custom touches. The number of sections is not as much of a consideration as is the placement of different elements throughout the space.

General Guidelines

- Plan for a minimum clearance of 24" for a walkway in a closet (between the two sides or around an island or peninsula). This is narrower than ADA standards, so it may need to be widened if the client has special needs.
- If the closet is wider than it is long (as you stand in the doorway looking in), start the design process by putting hanging on the short walls.
- If there is less than 24" between the side wall and the entrance, place shelving, drawers or baskets in this area, as a hanging section will interfere with the doorway.
 - 14" shelving works well by entrances because it's often used for shoes, which are put on last and taken off first as you enter and exit the closet.
- Determine drawer and/or basket locations.
 - For safety and ease of access, drawers should not be placed behind a door that opens into the closet.
 - Centered on the back wall, in line with the entrance looks nice and allows drawers to open fully.



Tip: It's a good idea to take plenty of photos of the empty space, paying special attention to obstacles. Photos are great reference tools not only during the design phase, but also during closet installation.

Once drawers and baskets are placed, add Long (LH) and/or Mid Single Hang (MH), Double Hang (DH) and shelving.

Avoid placing DH in the first section as you enter. The height and width of a section full of clothes tends to create a feeling of narrowness you have to "push through," which is another reason why it works well on the back wall.

- If you've designed DH on the short walls, the next sections on the adjacent wall should not be DH (unless you're allowing at least 30" of space).

If the depth of the front return walls is at least 24" deep (which then also means that the closet is at least 72" wide), hanging can be designed into the adjacent walls.

Design Considerations

The width of a walk-in closet is a driving factor for the resulting design. Anything under 72" wide won't leave a wide enough walkway to accommodate hanging sections on both opposing walls.

Keep in mind that while a closet may look large when it's empty, size does not always determine actual storage capacity. Depending on the location of the door, the size of the return walls and the width, a walk-in closet may not net any more storage than a reach-in configuration.



Designing a Walk-In Closet *continued*

Closets 48" to 71" wide:

- An "L" shaped design is really the only option.
- Hanging should go on the back (short) wall.
- Use the side wall with the deepest return for shelves, drawers or baskets. The other long wall can have hooks.

Closets 72" to 84" wide:

- Hanging should go on the back wall.
- Both side walls can be used for hanging, although this configuration provides for only the minimum clearance of a 24" walkway.
- Placing hanging on only one side wall (with the deepest return) and shelves, drawers and/or baskets on the other side wall is optimal.



Closets over 84" wide:

Allows for the most options and configuration choices. The central open area is generally large enough to allow for deeper hutch areas, wardrobe lifts and other accessories. If the closet is 120" wide, a one-sided or narrow island or peninsula can be incorporated. 144" wide allows for a two-sided island or peninsula.



Corners

Corners need to be planned carefully in a walk-in closet.

- The easiest solution is to simply allow 24" (minimum) to 30" from the back wall before starting the section on the adjacent wall. This accommodates the depth of the clothing plus a couple of inches for reaching in to get them.
- This 24" to 30" measurement can be adjusted up or down based upon the space available. (Considered a "soft" measurement.)
- While the DH configuration is one that's used in almost every closet, try to avoid using it going into and coming out of a corner—it creates the feeling of a wall of clothing coming at you!
- Corners are a good place to put a bridge shelf, which spans the width of the space and allows for a continuous storage shelf around the perimeter.

Measuring the Space

After looking over the space and speaking with the clients about their needs, start taking precise measurements in whatever format you're currently most comfortable with. (Clockwise, longest wall first, etc.)

Be sure to include:

- Door and ceiling heights
- Baseboard depth and height
- Type of flooring

Be particularly attentive to the "short" walls in the closet. These will be "hard" measurements, with the design going wall-to-wall. These walls are frequently used for double hang (DH).

Closet Design Tips

Most people wear 20% of their clothing 80% of the time.

With that thought in mind, not every item in a closet needs to be instantly accessible. Let's consider the middle section of double hang in a wide reach-in closet. Most of the items hanging there will be clothing the client doesn't wear very often, so not having it right in front really won't be an issue. If they indicate that it will, suggest they use that space for out-of-season or rarely used formal clothing.

You'll also have homeowners who take you into closets with 12 ft. ceilings (or higher) and say, "I want shelves all the way to the top." In addition to the problem of accessing storage at that height, all of that extra material can get expensive, especially if they want doors. And for the most part, they don't gain enough additional storage space to get a good return on the financial investment. It's better to suggest they use the top shelf of a standard height system for plastic storage bins or decorative boxes.

Short/Double Hang:

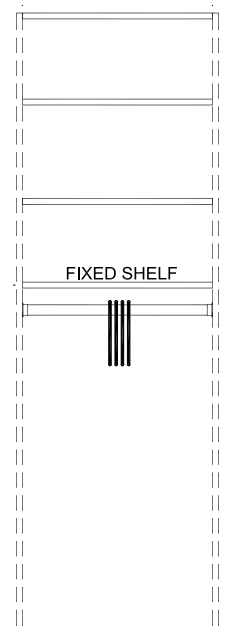
- Hang shorter items on the top pole so they don't overshadow items on the lower pole.
- Items with big shoulders are better on the lower pole.
- If the client is petite, using the lower pole for almost everything is preferred. In a shared closet, it works well for the taller person to use the top poles and the shorter person to use the lower poles.

Mid Hang:

- The pole is placed approximately 50" above the floor, with shelving above.
- MH is a very effective configuration, as both hanging items and shelf contents are easy to see and to reach.
- This is also useful for hanging pants by the top or cuff (vs. folding them in half.) Always ask how clients hang their pants to determine how many sections may be needed.
- If the client is petite, MH can serve as LH.
- Shelves should go above the hanging unless the depth of everything is 24." However, because items tend to get pushed to the back, 24" deep shelves are not very useful.

Long Hang:

- Always ask if LH needs to be incorporated into the closet, as it is not always necessary.
- If needed, most people require a width of 18" or less for storage of these items.
- Adding this additional, small section tends to increase the cost and decrease the effectiveness of the design solution, particularly when space is tight. See if the customer has any other closet where this LH can be stored as it usually nets a more effective design in the space you're working with.
- Since most people do not wear LH items on a daily basis, locating it in harder to reach or less convenient areas is acceptable. However, be careful not to design a tiny, 18" wide section into a corner with limited accessibility.



A mid hang module with three shelves above

Closet Design Tips *continued*



Shelves:

- Shelving provides many of the same storage functions as drawers or baskets, but at a lower price point.
- Items on shelves are easier to see than items inside drawers.
- Positioning shelves and drawers (rather than hanging) just inside the door of a walk-in creates a more spacious feeling.
- Putting shelves below hanging is not a recommended storage design.
 - If the installed system is less than 24" deep, the hanging will extend past the shelves and hide whatever is on the shelves. If the installed system is 24," it's still not a good idea because 24" is way too deep for most items. The best solution is to lower the pole and put the shelves above the pole.

- Top shelves are best used for large, lightweight and least-used items (such as seasonal items.)
- Middle shelves (shoulder to waist) are easy to access for the most frequently used items.
- Bottom shelves (below waist) should house heavier, larger, less frequently used items.

Keep in mind that items such as men's shoes may stick out a bit beyond the front of a shelf. This is fine if the shelves are open, but if doors are incorporated they won't be able to fully close! For this reason, it's a good idea to measure the depth of men's shoes or other items that will go behind doors.

- When installing doors between a 14" deep panel on one side and a 22" or 24" deep panel on the other, an additional 14" deep panel is required next to the 22" or 24" panel for the door to close against or hinge to.
- As noted above, if you put doors in front of shelves, make sure the items being stored fit entirely on the shelf.

- Angled shoe shelves are beautiful and functional. Keep in mind that the angle requires more space between each shelf, so if the client is trying to maximize shoe storage (or has many pairs of boots), standard adjustable shelves may be a better option.
 - Remember: angled shelves require a screwdriver to adjust or move, and really only work for shoes.

Cubbies look great in magazine photos, and are frequently requested. However, because of the fixed size, they can actually limit storage options. If storage is at a premium, it's a good idea to ask the homeowner what they plan to put in this area. Shelves and drawers easily accommodate a multitude of items in varying sizes, and may actually be more flexible (and functional).



Closet Design Tips *continued*

Section Widths:

- Try to use standard widths for shelving, and use the odd widths for hanging sections.
- Most folded items are 12" wide so widths in multiples of this dimension (24" or 36") work best. 36" wide sections are a good choice when people want larger drawers, and/or fold their items loosely.
- Shelving sections that will hold heavy items should not be wider than 24."

Drawers and Baskets:

- Many people want drawers or baskets incorporated into their closets because they don't want a dresser in the bedroom. It's a good idea to design all of the hanging storage first, and then evaluate the amount of space that remains.
- There's usually not much difference in pricing between the two, so the decision often comes down to: baskets let you see more of what's inside, while drawers only allow you to see what's on top.
- Drawers work well for small items that don't tend to stack well: undergarments, socks, hosiery, accessories and lingerie/pajamas. T-shirts and other folded items actually work better on shelves because you can see the range of colors at a glance.
- Hanging shouldn't be placed above drawers unless the drawers are 24" deep—items on a 14" deep shelf tend to get lost under the overhang.
- While there is no standard for drawer placement, consider the person's height when placing a bank of drawers.
 - Drawers designed higher than a client's chin aren't useful because you can't see what's in them without using a stepladder.
 - Sizes will vary depending upon client preference. (Deep vs. shallow, how many they need, etc.)

Section Depths:

- Most items stored on shelves are small to medium in size, so 14" deep shelves should work just fine.
- Deeper shelves should be spaced further apart—if shelves are too close together, you create a "black hole" that makes it hard to see or reach whatever is in the back. This makes it likely that things will get lost or forgotten.
- Pillows, blankets, luggage, plastic bins or storage boxes all work well on 24" deep shelves.



Designing Around Common Obstacles

Return Walls:

- These are the front walls of a closet. Their size/depth is often indicated by the builders' choice of door size(s).
- Anything deeper than 18" makes for difficult access. Sometimes turning the section is a good option, although you need to remember to leave enough space in front of this hanging to allow access. This means coming in approximately 30" from that wall before starting the section next to it.

Angled Walls:

- How you handle angled walls is often driven by price. If the client is looking for economical solutions, measure out sections while you're in the space, making sure your clearances are good. This means there will be open space between the upright panels. If the client wants to invest more, you can do columns or fillers. Or, have vertical panels drilled through and put pull-out racks in the void. You can also make templates to ensure accuracy.

Windows:

- If the window is low, consider a bench or hamper(s) below it. If the window is more than 43" from the floor, MH can go underneath as well as a short stack of shelving.
- If the space is fairly small, ask the homeowner how much decorative trim they want around the window: a 3" to 4" wide moulding becomes 7" to 9" of wasted space once you factor in the width of the vertical panels.

Baseboard Heaters and Radiators:

- Measure dimensions and location on wall and get clearance information from client. (How much open space do they require to work as intended and not be a hazard.)

Security Alarm Systems:

- When measuring and designing around them, consider a short upper panel. Sometimes a short lower panel can also be worked in, depending upon size and location on wall.
- Systems should not be covered or blocked. Allow enough clearance space for doors to open and close—it may be best to leave that space open and place some hooks on the back wall and side panels.
- Can be a good place for vacuum cleaners, ironing boards and other items with an awkward size or shape.

Crawl Spaces and Plumbing Access Panels:

- These can be covered with a hanging section that spans the width of the opening yet still allows for easy access. Shelving is really not recommended as it makes access difficult and installation more complicated.

Steam Mechanicals:

- Usually found in high-rise buildings. Measure dimensions and clearances carefully. Can be covered with doors if it's vented, or use hanging with shelving above. Double-check the manufacturer's recommended clearances for appropriate functionality.

Closet Design Tips *continued*

Sprinkler Heads:

- Typically found in high-rise buildings, although some homes and condos now include sprinkler systems. Note location and verify with the owner that they will still have enough clearance to function if they pop out from the wall several inches when turned on.
- Check local building codes for clearance requirements.

Base Moulding:

- It's important to measure the height and depth of the baseboard, indicate whether or not there is quarter-round moulding, and if the floor is carpet or a hard surface.

Light Switches:

- Location is important! The client should have enough room to turn on the light without hitting their knuckles on a vertical panel. If space is at a premium, design the closet so the installation team can cut an access area onsite. Can be divided between upper and lower panels to avoid notching.

Attic Access:

- Design the closet so that the section width located directly below the ceiling access panel is wide enough to allow for removal of the top shelf. (This allows accessibility.)



Useful Numbers

The charts below contain a number of helpful measurements to use as a reference when designing a closet. Large, bulky items, such as bedding or storage boxes, should be measured and counted if they will be used in the closet.

Typical Sizes of Hanging Garments

Garment	Width	Length (includes hanger)
Skirts	1 – 2"	30 – 44"
Dresses	1 – 2"	44 – 66"
Blouses	1/2 – 1"	28 – 36"
Her Suits/Jackets	2 – 4"	30 – 42"
His Suits/Jackets	2 – 4"	38 – 44"
Men's Shirts	1 – 3"	38 – 40"
Adult Coats	4 – 7"	44 – 66"
Outerwear Jackets	4 – 7"	40 – 48"
Pants, hanging long	1 – 2"	41 – 52"
Pants, hanging folded	1 – 2"	28 – 32"
Robes	2 – 4"	44 – 66"
Formal Dresses	3 – 8"	70 – 78"

Typical Sizes of Folded Garments

Garment	Width	Depth
Sweaters, Jeans	10 – 14"	14 – 16"
T-Shirts	10 – 12"	12 – 14"
Towels/Sheets	14 – 16"	14 – 16"
Blankets	18 – 24"	14 – 18"
Shoes – Women's	7 – 8" (avg.)	9 – 11"
Shoes – Men's	9" (avg.)	10 – 14"

Standard Closet Pole Heights

Section Type	From Floor to Top of Pole
Double Hang	40-1/2" and 82"
Medium Hang	54"
Long Hang	66"

Standard Heights for Accessories

Item	From Floor to Top of Item
Valet Rod – Adult	70"
Valet Rod – Child	60"
Belt Rack – Adult	50" or belt length + 2"
Belt Rack – Child	42"
Tie Rack – 2 Stacked	40" and 78"
Tie Rack – Single	72"
Ironing Board Holder	60"

Cumulative Widths of Multiple Panels

Panel Qty	Size	Panel Qty	Size
1	.75"	7	5.25"
2	1.5"	8	6"
3	2.25"	9	6.75"
4	3"	10	7.5"
5	3.75"	11	8.25"
6	4.5"	12	9"

The Design Consultation

When you schedule the appointment:

Find out as much information as possible before you arrive at the appointment. This allows you to plan ample time to converse with the client and take accurate measurements of all areas. Some questions to ask include:

- Number of closets or storage areas to be designed.
- What types of clothes/items do they want stored in their closet?
- Have they had custom closets before?
- Have they seen other closets they like and what did they like about them?
- What's their budget? If they say they don't have one, try to give them ballpark figures.
- What's most important to them—to simply increase function or do they also want it to be beautiful? After function, how important is form/beauty?
- Let them know that you need to be able to measure the back and side walls, so the space needs to be accessible. It's frustrating and time-consuming to have to try and move boxes, toys and equipment to get at the space you need to measure.

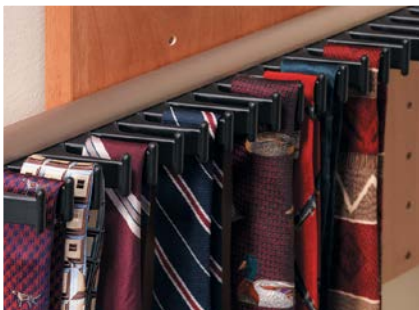


Ask that the space be made accessible before you arrive!

At the consultation:

Once you're in the home, you'll want to ask a number of questions to help you narrow down the storage requirements for each space. It's also a good idea to have clients look through brochures or closet design magazines while you take measurements. This allows you to focus and gives them some ideas of what is available in closet design.

- Who uses this closet?
- Do they have special items that need to be stored here?
- What physical obstacles are present? (Be sure to draw up and measure these.)
- What currently works and what doesn't?
- What's on their wish list for this closet?
- Do they have a preference for how these items are stored—hanging, shelves, drawers, hooks, etc.?
- What are the "must have," "want to have," and "would like to have" features?



Measuring the space:

- Take overall measurements of existing hanging, and approximately how much of each type is present. Take a rough shoe count as well as purse, tie, belt, scarf, etc. You want to do the best you can to accommodate storage for these items into your design without losing large amounts of time in the process of counting items. There is an inventory form at the end of this document that can help record information and define the size and type of closet sections needed.

The Design Consultation *continued*

Space Planning

Remember that not every square inch of space will be useable. When you're dealing with obstacles or an oddly shaped space, it can be more expensive than it's worth to custom design and build a solution. Sometimes it's better to leave space open for large items, or things the client hasn't yet planned for.



- Ask your clients to give you an idea of all the features they would like in their closet. If they have pictures from magazines or links to websites, ask them to send those to you before the first appointment. Assure them that you will do your best to incorporate their thoughts, wishes and design ideas.
- You may find it necessary to demonstrate that no matter how much they may want it, you can't fit a stack of drawers, a column of shelves, a section of DH, a section of LH and a hamper in a 6-foot reach-in closet (even if it works on paper).
- If you're measuring a walk-in closet that's going to be shared by a couple, ask them how much space each will require. With male/female couples, this is typically a 1/3-man, 2/3-woman split. Also ask about how much separation they want between the two—sometimes they don't even want to share a section of LH, even if it's only one robe.

Remember that you're a storage designer there to create custom storage solutions—not a professional organizer who's there to determine what to keep, what to get rid of and exactly where to put it. You're focused on getting the items stored (whenever possible).

Presenting Your Design

When it's time to present your design, it's a good idea to invite the client to your showroom, or to return to the client's home. Meeting in your showroom will allow you to walk them through a number of options, while meeting at their home will give you an opportunity to describe the design in the actual space.

Don't be surprised, if, for example, people look at your design and ask you why you're "wasting" the space in the corner with a bridge shelf. Explain that the space is filled with clothing, which typically takes up 24" of space. To demonstrate, stand next to a wall as if you (and the clothes you have on) were actually "hanging" in a closet and ask them to visualize that you're a garment in their closet. This really helps drive home the point about the depth that hanging clothes take up.



What is a Closet Designer, Anyway?

Role of the Closet Designer

In existing homes or a custom design for a high-end builder, it's the closet designer's job to provide custom storage solutions that accommodate the needs of the client, have structural integrity and maximize the effectiveness of that space within workable parameters (walls, obstacles, etc.).

- The designer should also know what types of solutions work best for the different items typically stored in closets. Designers need to ask a lot of questions about how the client wants the space to function and what items will be stored in it.

For new construction, the closet decision is almost always based upon price, particularly in larger developments, multi-family buildings and high-rises. These designs will typically be hanging sections with adjustable shelves.

- In smaller, more custom, higher priced projects, you can get a budget figure or allowance from the developer or builder. Use standard widths and depths so cost-effective changes can be easily incorporated. For example, show alternate designs with drawers and baskets in sections that are 18, 24 or 30" wide and 14" deep.

What is a Professional Organizer?

Many people are confused as to what is the difference between a closet designer and a professional organizer (the most common comparison). A professional organizer will go through every item of clothing, jewelry, etc. with you to determine what you keep and what goes away. They will then organize those items based on color, size, function, etc. Your role is not to be a professional organizer—you're there to create a space for everything to be organized into!



Notes/Comments/Ideas

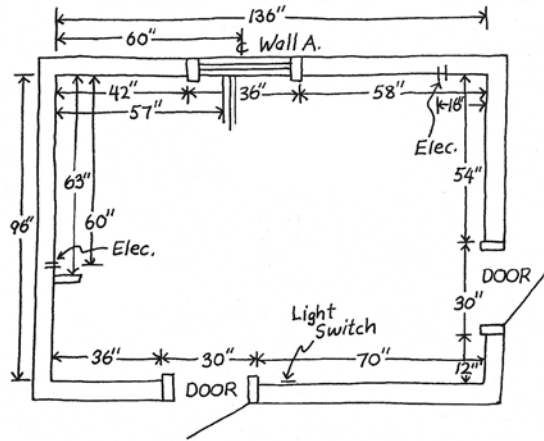
Sketch Your Space

Space & Appliance Information

Provide complete room and appliance information as shown below:

Space: all four walls should be measured, and should include window and door dimensions (including trim), ceiling and soffit heights, placement of light switches, electrical outlets, and utility panels. Be sure to indicate which direction doors swing. For new construction, remember to include the thickness of sheetrock and proposed flooring.

Appliances: specifications are required for all appliances that will be used, whether existing or new purchases. For sinks, be sure to indicate size and depth. Also, note if doors are hinged on the left or the right.



Make sure you note locations of existing and proposed:

- doors
- windows
- ceiling height
- vents
- switches
- outlets
- light fixtures
- utility panels
- security systems
- sprinkler heads

Appliance Specifications

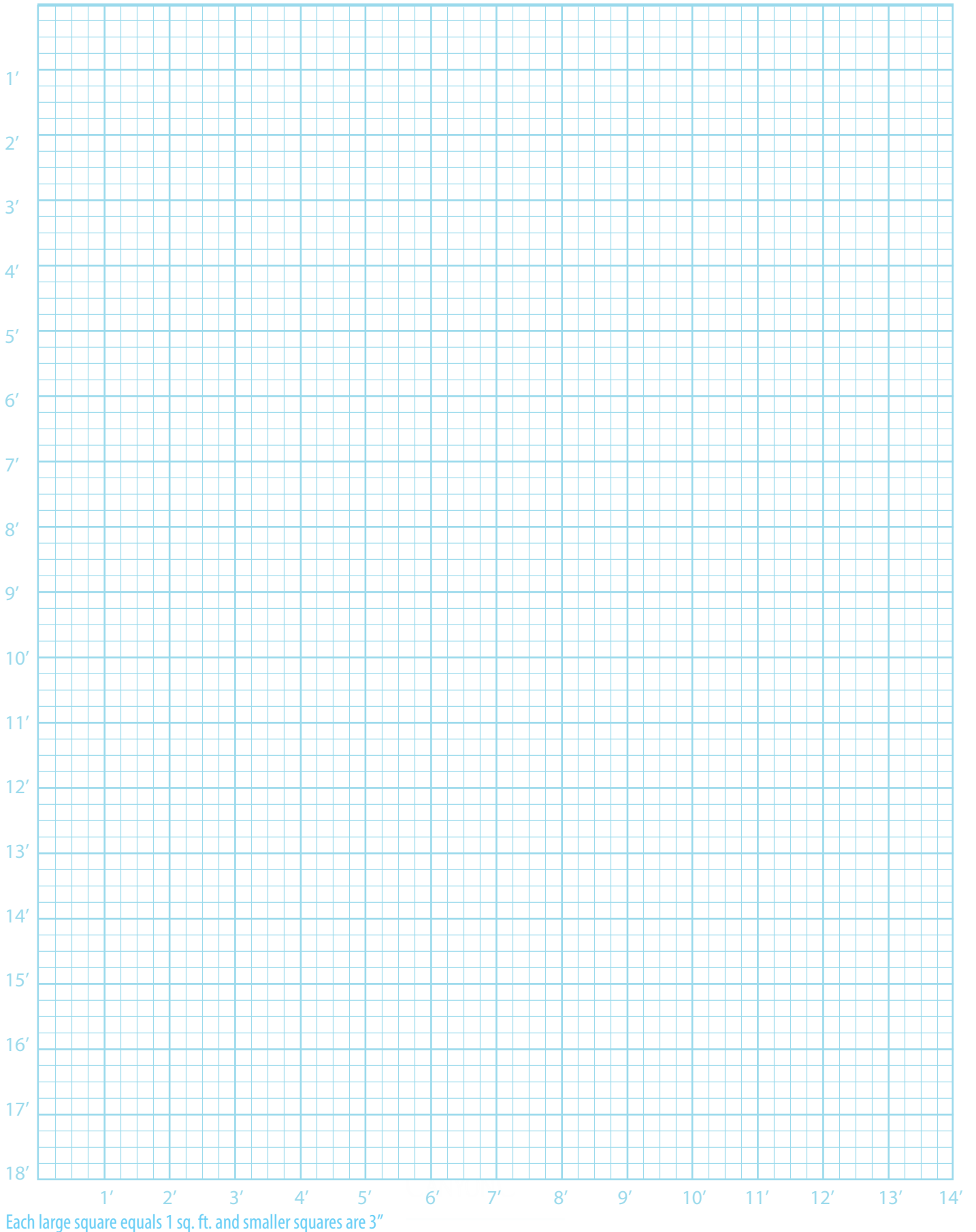
Provide detailed specs for all appliances that will be used in the room:

Appliance	Brand/Model	Width	Height	Depth	Hinge Pos. on L/R	"X" if Existing
Microwave						
Mini Fridge						
Wine Cooler						
Built in Coffee Maker						
Espresso Maker						
Sink						
Washer						
Dryer						
Television						

Notes/Comments: _____

Floor Plan Sketch

Draw out the basic layout of your space—include windows, doors and ceiling heights



Closet Inventory

Performing a quick inventory of the items that are currently in your closet – and items that will be added – will help your Closets Plus designer create the most effective layout.

- Take separate inventory counts for each user - we've provided two columns for shared closets.
- Take separate inventory counts for each closet.
- When measuring hanging items, measure from the closet rod to the bottom of the garment.
- Folded items generally take up 12" of space - make a note if you fold wider than 12".
- When measuring shoes, handbags and other items, count boots, oversize or bulky items separately.

SHORT HANG (39" or less, including hanger)		MEDIUM HANG (39" - 54", including hanger)	
Shirts/Blouses	_____	_____	_____
T-Shirts	_____	_____	_____
Sweaters/Vests	_____	_____	_____
Jackets/Sport Coats	_____	_____	_____
Pants (folded)	_____	_____	_____
Misc. Short Hang	_____	_____	_____
		Short Dresses	_____
		Pantsuits/Men's Suits	_____
		Pants (hung long)	_____
		Long Jackets	_____
		Medium Coats	_____
		Misc. Medium Hang	_____
LONG HANG (More than 54", including hanger)		FOLDED GARMENTS (Number of items)	
Long Dresses/Gowns	_____	Sweatshirts/Pants	_____
Overalls/Jumpsuits	_____	Sweaters - Bulky	_____
Bath Robes	_____	Sweaters - Thin	_____
Long/Trench Coats	_____	T-Shirts	_____
Misc. Long Hang	_____	Misc. Folded Garments	_____

NOTES: _____

NON-FOLDED GARMENTS	ITEMS ON SHELVES - SMALL
Lingerie _____	Shoes - Pairs _____
Underwear _____	Purses/Handbags _____
Socks/Nylons _____	Shoe Boxes _____
Scarves - Bulky _____	Hat Boxes _____
Scarves - Thin _____	Gift Boxes/Bags _____
Gloves/Mittens _____	Misc. Small Items _____

ITEMS ON HOOKS	ITEMS ON SHELVES - LARGE
Robes _____	Boots - Pairs _____
Belts _____	Purses/Handbags _____
Ties _____	Luggage _____
Purses/Handbags _____	Quilts/Comforters _____
Jewelry _____	Blankets/Pillows _____
Misc. Items _____	Misc. Large Items _____

WISH LIST (Mark item you would like to have incorporated into your new closet)

Drawers - Shallow _____	Angled Shoe Shelves _____
Drawers - Deep _____	Hooks _____
Jewelry Trays _____	Belt Rack _____
Drawer Cubbies _____	Tie or Scarf Rack _____
Baskets _____	Valet Rod _____
Hampers _____	Shelf Dividers _____
Pull-out Pants Rack _____	Wardrobe Lift _____
Ironing Board _____	Mirror _____

INSTALLATION INSTRUCTIONS

Introduction

The following is intended to guide you through the necessary steps for installing your new closet system.

Being prepared for installation day through careful planning will help ensure that your new closet system from Canyon Creek Cabinet Company is ready to use right after installation. (Please refer to the Info & Prep for Closet Installation at the back of this guide to help you prepare.)

Keep in mind that you will save a lot of time if the area where the new closet is to be installed is adequately prepared, easily accessible, and that the previous closet materials have been removed and are out of the way.

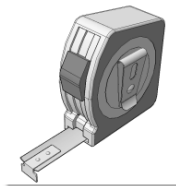
Tool Recommendations



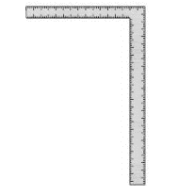
Cordless Drill - Will speed up installation of the screws used to affix support brackets, vertical panels, shelf supports, drawer box guides and accessories.
5mm (3/16") drill bit - For installing doors (Step 17).



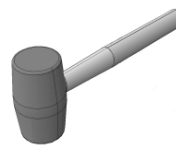
Level - To ensure all components are level and plumb.



Tape Measure - For planning your suspension rail layout and establishing height/width requirements for placing vertical panels, shelves, doors/drawers and accessories.



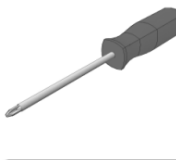
Framing Square - To ensure all components are square to one another.



Rubber Mallet - For tapping plastic connecting cams into horizontal shelves.



Step Ladder - To reach atop vertical panels and top shelves if necessary.



Phillips Screwdriver - For tightening connecting cams in horizontal shelves.

Table of Contents

STEP#	Description.....	Page
STEP 1	Check Product Inventory	3-4
STEP 2	Room Preparation	4
STEP 3	Locate Floor High Spot.....	5
STEP 4	Finished Back Panels	5-6
STEP 5	Suspension Rails	6-7
STEP 6	Suspension Rail Covers.....	7-8
STEP 7	Vertical panels	8
STEP 8	Curved Hutch.....	9
STEP 9	Corner Shelves.....	9
STEP 10	Fixed Shelves	9-10
STEP 11	Bridge Shelves	10
STEP 12	Toe Kicks	11
STEP 13	Closet Supports and Poles....	11
STEP 14	Adjustable Shelves.....	12
STEP 15	Drawers	12
STEP 16	Drawer Inserts	12
STEP 17	Installing Doors.....	13
STEP 18	Wire Baskets	13
STEP 19	Tilt-out Hampers.....	14
STEP 20	Shoe Shelves	15
STEP 21	Accessories	15-17
STEP 22	Moulding & Trim	18
STEP 23	Decorative Hardware.....	18

We've also included some documents that will be helpful before and during installation:

1/4" Back Panel Installation	19
Door Mounting Plate drilling jig for Vertical Panels.....	21
Hardware Pull Layout	23
Info & Prep for Installation	25



Installation Instructions

Step 1: Check Product Inventory

Below is an example of a Closets Plus packing list. Take an item inventory and organize by material.

CANYON CREEK
Cabinet Company

16726 Tye St SE Monroe WA, 98272
(800)228-1830

Ship To: JD ROBERTS HOMES INC

WOODINVILLE WA 98072 US

Delivery List
File Copy



888826-00

Order Date: 3/24/2014
Delivery Date: 0421014
P.O.# / S.M.: CONTRACT# C0000

Sold To: JD ROBERTS HOMES INC
PO BOX 000

BELLEVUE WA 98005 US

Item	Ordered	Shipped	Back Ordered	Item	Ordered	Packages: 53 Cabs: 17	
						Shipped	Back Orderer
WBC	1	1		MDH364814X	1	1	
CP	1	1		VP1448	1	1	
B4D	1	1		MLH184814	1	1	
FE12B	2	2		VP1448	1	1	
MS96	2	2		MDHX	1	1	
SE96H	1	1		VP1448	1	1	
SF342	1	1		MLH244814X	1	1	
WTFLR	1	1		VP1448	1	1	
M4DA188714	1	1		MDH364814X	1	1	
VP1487	1	1		VP1448	1	1	
M4DA248714	1	1		SRCP-WHT	3	3	
VP1487	1	1		TF24-2	2	2	
M4DA248714	1	1		TF18-2	1	1	
VP1487	1	1		DH811-128SN	12	12	
VP1487	3	3		SR98	3	3	
MLH184814	1	1		VTB-WHT	1	1	
VP1448	1	1					

The items are listed under PART LIST and are by catalog code. The following is a glossary of acronyms typically found in the packing list. Modules, when present, begin with an "M" (M5BA, MH6D, etc.).

Glossary of Acronyms

CPD	Closet Pole Deluxe	SA	Shelf Adjustable	SF	Shelf Fixed
CPS	Closet Pole Standard	SAC	Shelf Adjustable Corner	SS	Shoe Shelf
CLCP	Closet Custom Panel	SB	Shelf Bottom	TF	Toe Front
DH	Decorative Hardware	SB-L/R	Suspension Bracket	VP	Vertical Panel
DR	Door	SBC	Suspension Bracket Cover	VPCH	Vertical Panel Curved Hutch
DWR	Drawer box assembly	SFC	Shelf Fixed Corner	WB	Wire Basket

Examples of Hardware

A number of different connectors are used with our closet system. Images below are not actual size.



Expanding Cam Screw (DQES5x12) affixed to system holes on vertical panels for attaching horizontal shelves.



Wedge Cam Housing (CAMDW-WHT) tapped into horizontal bottom fixed shelves; lowered onto cam screws on vertical panels and locked into place by pushing down.



Double End Cam Dowel (DDE19) inserted through vertical panels with drilled through system holes to connect two adjoining horizontal shelves.



Connector Screw (SCREW-C) used to connect two vertical panels side-by-side.



Cam Housing (CAMDN-Color Option) tapped into horizontal top and fixed shelves; lowered onto cam screws on vertical panels and locked in place with Phillips screwdriver.



Euro Screw 13mm (ES5x13) used to attach suspension rail brackets, drawers and accessories to vertical panels.

Euro Screw 10mm (ES5x10) used to attach drawers guides, shelves and/or accessories to a vertical panel when hardware is on opposing side using the same hole attachment.

Step 2: Room Preparation

Make sure that there are no obstructions to, or in the area where the closet is to be installed. This includes trim, baseboard, carpet tack strip, shelving, clothing, and/or old closet materials.

- Remove baseboard where closet vertical panels go to floor, or order vertical panels with optional notch added to the bottom back edge of vertical panels to allow for baseboard.
- For carpets, check for lumps at high spots where vertical panels will reach the floor. The carpet may need to be altered to allow a firm fit for the panels.
- For electrical outlets and light switches, understand where your vertical panels, drawers, and fixed shelves will be placed so that the outlets are not covered. The outlets will need to be moved (or the closet redesigned) so that nothing interferes with these items.

Installation Instructions

Step 3: Locate Floor High Spot

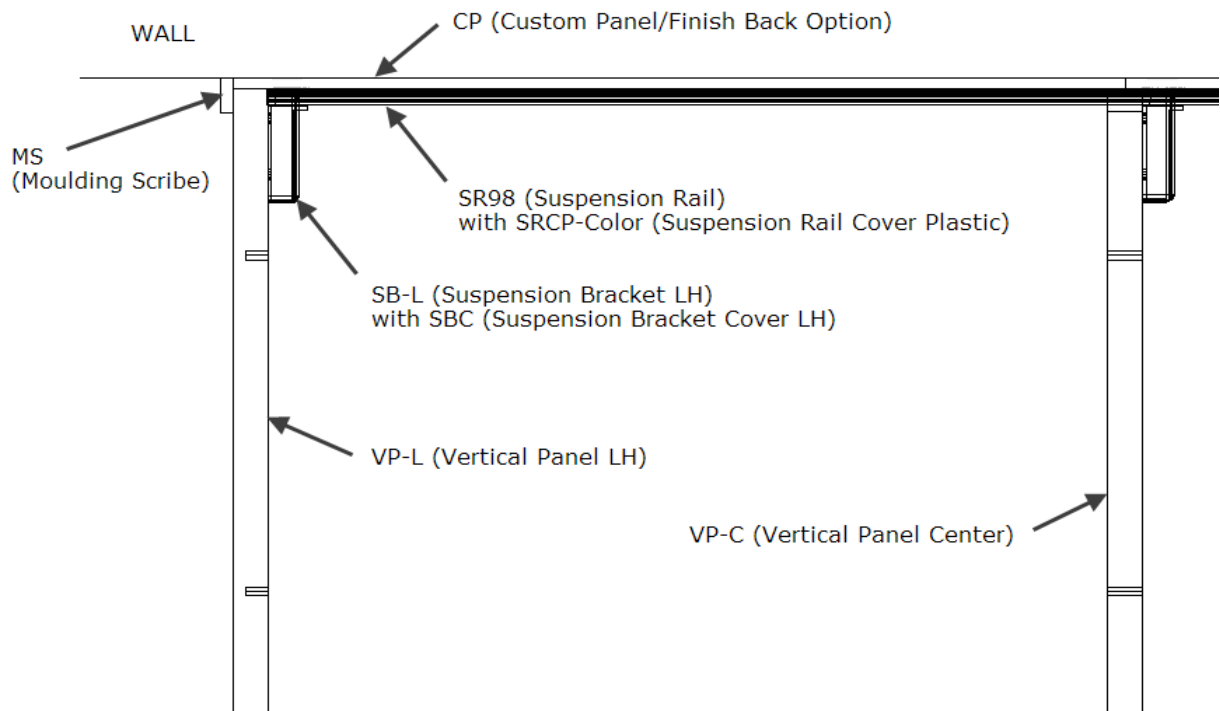
For any closet installation where vertical panels reach the floor, the highest spot on out-of-level floors needs to be found so that other panels in the design will not have to be altered.

- Take a long level or straight edge with level, and place on floor.
- Once the spot is found, mark the wall. Use this reference point when installing the suspension rail (see Step 5).

Step 4: Finished Back Panels (optional)

For installations that include Finished Back Panels (CLCP) behind the vertical panels, the finished back panels must be installed prior to the suspension rails.

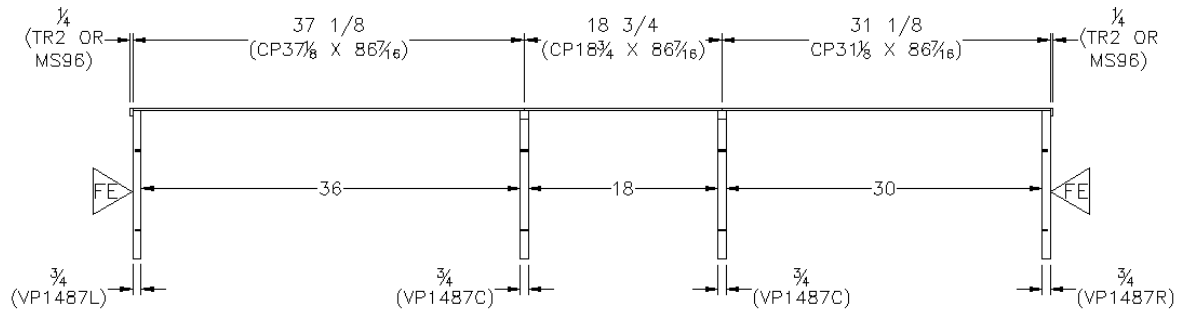
- Finished back panels are designed to fit tight together, with the joint seam hidden behind a 3/4" vertical panel.
- Finished backs can be mounted with flathead screws at the top of the panels, aligning them with the finished top of vertical panels.
- MS96 (moulding scribe) can be used to cover any gap on the finished (non-drilled) side of the vertical panel used at end of closet run.



Installation Instructions

Step 4: Finished Back Panels *continued*

Illustration shows sizing and spacing for a three-module layout with two exposed ends and finished back panels using Custom Panels (CLCP).



Step 5: Suspension Rails

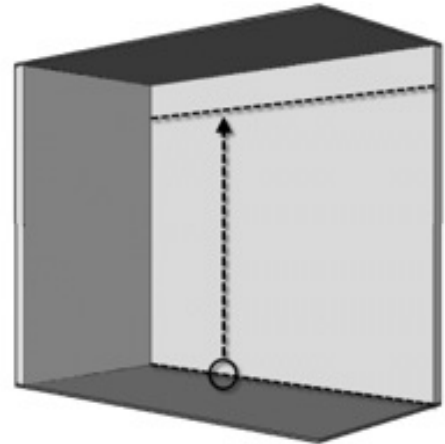
Canyon Creek Closets Plus uses Suspension Rails (SR98) with adjustable brackets to support all vertical panels.

- Start with the highest point on the floor (located in Step 3). Measure up from the floor and mark the wall at the designated height for the suspension rail.
- The center line of all suspension rails is located 2-3/16" below the finished panel height of the closet system.

Example A - For a standard 8' (96") ceiling, using a VP87 (86-7/16" net size) to the floor, hang the suspension rail at 84-1/4" (centered on the screw).

Example B - For a 9' (108") ceiling, using a VP96 (95-1/4" net size) to the floor, hang the suspension rail at 93-1/16" (centered on the screw).

NOTE - For lower ceilings or different applications, adjust accordingly based upon the design plans. Using your level, draw a level line across the back of the wall at that same height above the floor. This measurement is very important since this will set the proper height to allow clothing to be double hung where desired, yielding approximately 40" in each area for double hang clothing. If your ceiling height is 96", this will also give you a top shelf at approximately 9" down from the ceiling.



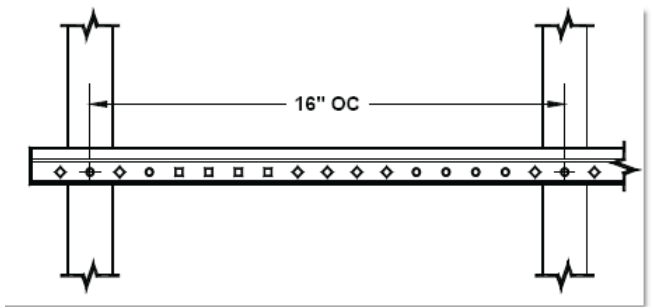
From highest point on floor, measure up to the proper suspension rail height

Installation Instructions

Step 5: Suspension Rails *continued*

Once the suspension rail lines are drawn, using a stud finder, locate the wall studs and mark location of each. As a general rule, we suggest that approximately 80% of the suspension rail screw attachments be made into studs to provide adequate strength and support for the closet system.

Line up the suspension rail holes with a stud and then cut the suspension rail to the dimension required using a hacksaw or other type of metal cutting band saw. (The rail will break off once you get a little more than halfway through.)



Holding the suspension rail against the wall, drive the recommended #8 X 2" panhead screws into each stud, securely fastening the suspension rail to the wall studs. If studs are not available, make sure you properly secure the suspension rail to the wall with drywall anchors (left).

NOTE - nails should never be used.

If the wall surface is not even, insert shims behind the suspension rail screws to keep the rail straight.

NOTE - For installations where the vertical panels are located at the end of a visible, exposed run, the suspension rail should be held short of the vertical panel, but still close enough to be able to hang the suspension rail bracket off of it.

Step 6: Suspension Rail Covers

There are (2) types of suspension rail covers that Canyon Creek provides.

The "Basic Suspension Rail Cover" is applied after Step 5 is completed. Vertical panels are hung over top of this type of rail cover. Attach the suspension rail cover by hooking it on top and snap onto the bottom.

Start at one end, and then work across entire length of the rail.

Once the suspension rail cover is in place, you are ready to install the vertical panels.



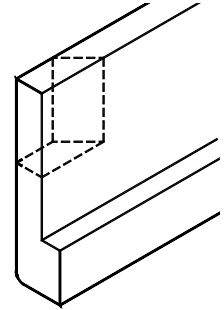
The basic Suspension Rail Cover (SRCP), shown partially installed

Installation Instructions

Step 6: Suspension Rail Covers *continued*

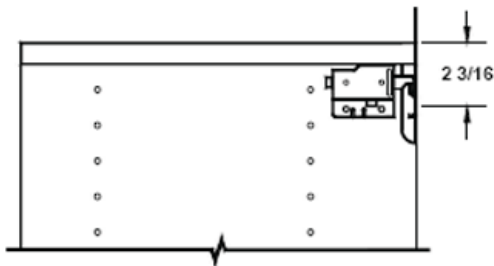
The optional "Deluxe Suspension Rail Cover" (shown at right) is installed after the vertical panels are secured and plumbed at the end of the job, after all the steps are completed.

Covers must be cut to size in the field, and notched at each end: 5/8" wide x 1-1/4" high with a 45° bevel.



Step 7: Vertical Panels

Attach the suspension rail brackets, using two 13mm (1/2") Euro screws provided, into the two predrilled holes near the suspension rail notch.



Location of suspension rail bracket on vertical panel



Suspension Rail Bracket (SB-L)

For vertical panels that do not extend to the ground, attach vertical triangle bracket to panel first by installing the angle bracket horizontally on the bottom of panel where it meets the wall. Then locate and install drywall anchor to secure the bottom of vertical panel to wall.

Hang all vertical panels approximately where they go onto the suspension rail. Then adjust and hook vertical panels on the suspension rail per your closet design.

NOTE – If the floor is not level and the vertical panels go to the floor, gaps may be visible. These gaps can be covered with optional moulding. (Also refer to illustration on pg 8 or the 1/4" back installation sheet pg 29.)



Vertical Triangle Bracket (VTB) closed

Installation Instructions

Step 8: Curved Hutch (if required in design)

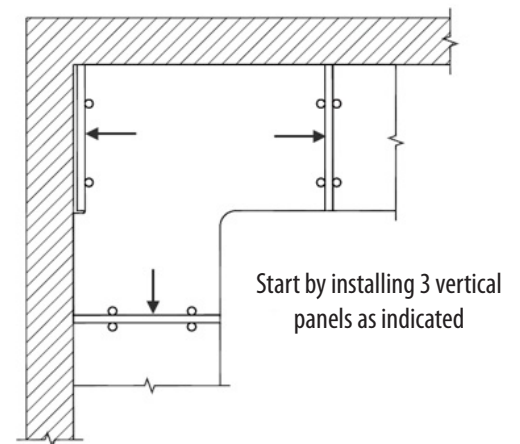
Curved hutch panels require floor support. First, install the 14" deep top fixed shelf. Then, install the 22" deep lower fixed shelves that go above and below the drawers.

NOTE – Floor-supported panels should rest entirely on the floor, but still be secured to the wall via the suspension rail.

Step 9: Corner Shelves (if required in design)

When installing corner shelves, it is easier to install the corners first, then the neighboring sections.

The suspension rail in the corners will butt into each other. The corner shelves are notched and fitted to accommodate the suspension rail behind the vertical panel. Attach the fixed shelves first, starting with the top shelves and working your way down. Once the fixed shelves are installed, install the adjustable shelves where desired.



Step 10: Fixed Shelves

Install fixed shelves by inserting dowels into the vertical panels and use the cam mechanism to lock them into place.

NOTE – Install all top shelves first to help stabilize the vertical panels before installing adjustable shelves.

Below are the two types of dowels that Canyon Creek uses:



Expanding Cam Screw
(DQES5x12) affixed to system holes on vertical panels for attaching horizontal shelves with cams



Double End Cam Dowel
(DDE19) inserted through vertical panels with drilled through system holes to connect two adjoining horizontal shelves

Installation Instructions

Step 10: Fixed Shelves *continued*

- Install all top shelves by locking in all cams onto all cam screws.
- Adjust panels side-to-side, so all top shelves fit, and are in correct position.
- Repeat this process with all fixed shelves.



HINT – The fixed shelves must be placed snugly against the panel before you tighten the dowel into the cam mechanism. Simply insert your Phillips screwdriver into the screw head in the cam fitting and turn it clockwise one-half turn, it will stop when tight. Caution – Do not over tighten screws. It is recommended that you do not use a cordless drill for this process.

After panels and fixed shelves are secured in place, the suspension bracket covers can be attached to the suspension brackets for a finished look.



Step 11: Bridging Shelves (if required in design)

Use Bridge Corner Brackets (BCB) on fixed shelves to join two perpendicular units together (at right). Install after all fixed shelves have been put into place and tightened.

- Allowing for the thickness of the bridge support, cut the shelf down to fit between the vertical panel and bridge bracket.
- Place bridge bracket onto adjacent closet system and slide in the newly cut end of the fixed shelf.
- The uncut side of the fixed shelf should be prepped and have cams inserted onto cam screws and affixed to the vertical panel end.

NOTE – Plastic bridge bracket may need to be trimmed to allow for fit or to allow for mouldings.

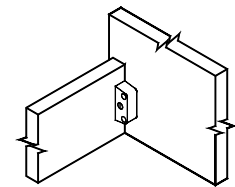


Installation Instructions

Step 12: Toekick (if required in design)

Toekicks must be installed before bottom shelves are installed.

With vertical panels in an upright position, place the toekick on edge between the panels. To avoid gaps, be sure to attach the toekick at same heights between vertical panels. Toekick can be installed flush or set back to create a recessed look. Attach 2-part clip (SMRTA) to back of the toekick and screw into the vertical panel with wood screws.



Installed SMRTA
(backside of toekick shown)

Insert cam screws in holes just above toekick. A wedge-locking drop in cam (CAMDW-WHT) is already installed in the bottom shelf. Press down onto dowels; it should pull together tightly and set down tightly onto toekick.

Step 13: Closet Poles

Insert the closet pole cup set into the panels where indicated on the drawing. Pre-cut poles should fit right into place without a screw attachment. Canyon Creek also offers 96" lengths of pole that can be cut-to-size onsite. (Cut size = opening module width less 1/4")

When locating below fixed horizontal shelves, skip one hole. This allows clearance for hangers.

NOTE – Closet pole mounting locations will be indicated on the design drawing. We recommend they should be located off the floor as follows:

Height to top of pole from floor:
Long Hang (LH) – 66"
Mid Hang (MH) - 54"
Double Hang (DH) – 40 1/2" and 82"

Installation Instructions

Step 14: Adjustable Shelves

First, place four shelf support pins (SSPM) into the system holes according to your design and then place shelf on top of the pins.

NOTE – Adjustable shelves will not line up horizontally with fixed shelves on opposite side of vertical panel (adjacent modules) as adjustable shelves sit on top of the pins, whereas the fixed shelves are pinned through cams sitting within the shelf material.

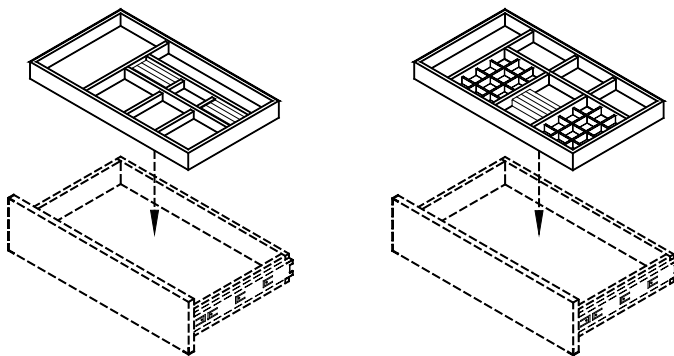


Step 15: Drawers

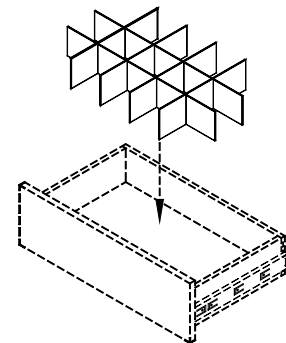
- Determine the quantity of each size drawer.
- Drawers come fully assembled, with fronts, drawer guides and mounting hardware.
- Starting with the bottom drawer, attach the drawer slide to the vertical panel in the second hole above the cam-drilled shelf with 10mm Euro screws (ES5X10).
- Using the chart at right, determine the height of the drawer and count the number of holes to find the placement of the next slide.
- To locate correct system hole, align the drawer guide with drawer and vertical panel and then work your way up, installing each drawer.
- Repeat for additional drawers. Per chart, subtract one hole from the top drawer and install the cam-drilled shelf.

Typical spacing for drawer heights		
DISTANCE	SPACING	HEIGHT
4 5/16"	4 holes	6" H drawer
7 9/16"	5 holes	7" H drawer
11 5/16"	8 holes	11" H drawer

Step 16: Drawer Inserts



Jewelry trays are sized to fit into the interior of the hardwood drawers



Drawer cubbies will come unassembled in your package. To assemble, pressure fit each piece to the other perpendicular piece. Slide the completed unit into the drawer.

Installation Instructions

Step 17: Doors

Doors are sent pre-drilled for hinges and with hinges ready to install.

NOTE: 14" deep vertical panels are not pre-drilled for the hinge plate prior to shipment. The 5mm (3/16") holes for the hinge plates must be pre-drilled onsite.

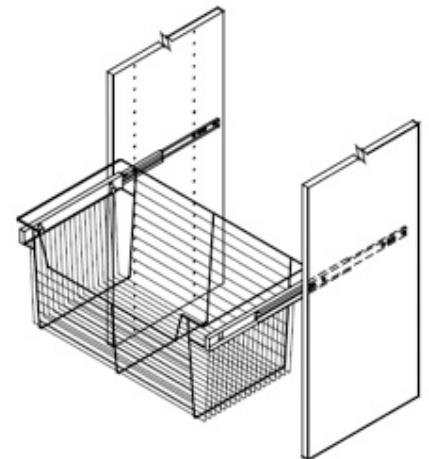
- Insert and attach hinges to door at hole provided for hinge.
- Tap in hinge and plugs with mallet.
- Attach hinge plate to mounting bracket by snapping plate into hinge and tightening screw attachment. Caution – Do not overtighten screws.
- Pre-drill 5mm holes into vertical panel to accept hinge-mounting plate. (Refer to Door Mounting Plate Jig at back of instructions.)
- Use the paper jig provided at the end of these instructions to mark and drill holes for hinges.
- Attach door (with hinges and mounting plate attached) to vertical panel.
- Hold door up to fit hinges to pre-drilled holes in the vertical panels.
- Use screws provided to attach hinge through the mounting plate.
- Start with the top hinge first, and then move to the bottom hinge once secured.



Step 18: Wire Baskets

NOTE – All accessories, baskets and hamper pull-out/tilt-outs are shipped with illustrated manufacturer assembly instructions.

- Fully extend the steel glides and disassemble by pressing the black release tab. Pull each end in an opposite direction to separate.
- Install smaller glide section onto vertical panels. (Closed glide end faces wall.) The black release tab is towards the front of the glide section. Set glide 7/8" back from front edge of vertical panel. Secure glide using two Euro screws (provided with glides) in the pre-drilled holes.
- Install large glide section onto the installed glides on the vertical panel.
- Push glide firmly to engage the ball-bearings. Once fully inserted, pull glides out to ensure they move smoothly.
- Hang baskets onto glide hooks.



Glides extended with basket hung on hooks

Canvas Basket insert

- Fits inside wire baskets; secures to top of basket with Velcro flaps.

Installation Instructions

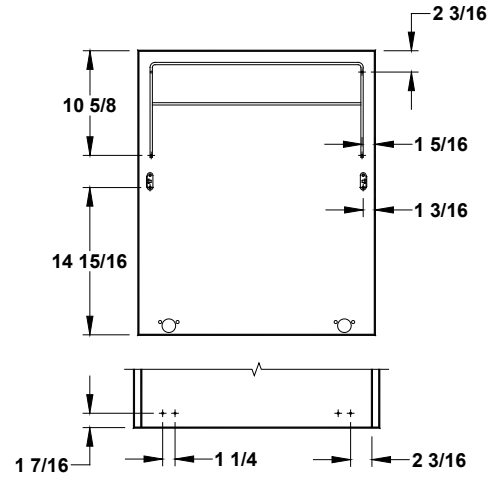
Step 19: Tilt-out Hampers

NOTE – All accessories, baskets and hamper pull-out/tilt-outs are shipped with illustrated manufacturer assembly instructions.

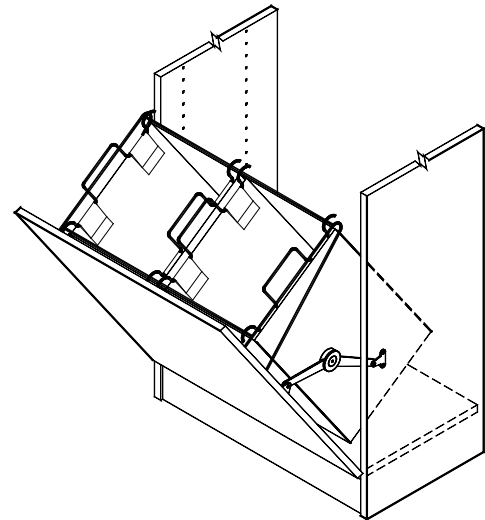
Tilt-out hampers will come with a door, two in-Motion hinges and lid stays. The steel, black epoxy-coated frame mounts to the back of the tilt-out doors and includes removable black nylon bags with built-in coated metal handles.

- Attach handle with two screws (provided) to door.
- Attach basket bracket with two #6 x 3/4" panhead screws (provided) into pre-drilled holes.
- Attach lid stay to hamper door with two #7 x 9/16" flathead screws (provided).
- Attach hinge plate to top surface of the bottom horizontal shelf and cup portion to the backside of door.
- Lid stay is attached on the vertical panel with 13mm Euro screws (provided), 10 holes up from the hamper bottom shelf.

NOTE – When installing Hamper Pull-outs (HPO), the minimum clearance is 24-3/4" tall. Use system hole at 22-3/8" on center, above the bottom of opening (whether it is the floor or the shelf) as the top-mounting hole. It is recommended to skip two holes below a shelf and then install.



Location reference for basket bracket, lid-stay and hinging



Lid stay mechanism mounted on vertical panel

Installation Instructions

Step 20: Shoe Shelves

Determine spacing, starting with bottom shelf and work towards the top. Install adjustable shelf pins in the first hole above the shelf. Select back pinhole location depending on opening angle desired.



NOTE – All shoe shelves have a pre-mounted metal shoe fence installed. The shoe shelves also have an expanding cam screw (DQES5x12) inserted in the back of the shelf. This cam tab will push down on the dowel pin installed in the back hole of the side vertical panel.

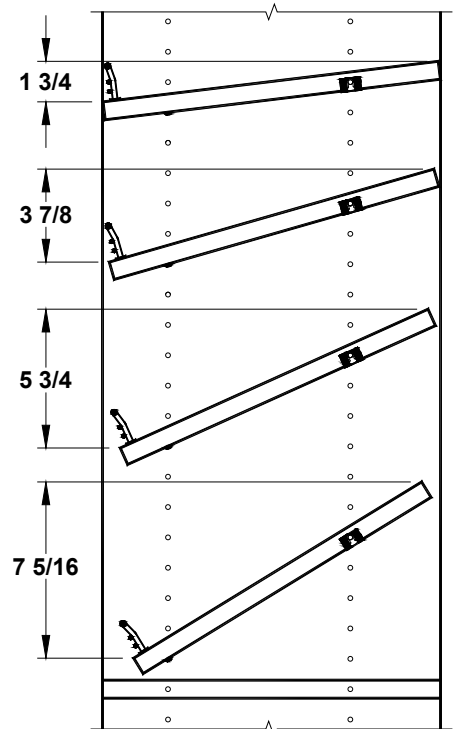


Diagram shows the result of setting shoe shelves at different angles and the space required for each

Step 21: Accessories

NOTE – All accessories are shipped with illustrated manufacturer assembly instructions. Best placement of racks is either directly below the pole, or against an outside vertical panel.

Tie Rack



Install on wall or outside of vertical panel

HEIGHT: 78" and 40" for two tie racks, one above the other

72" for a single tie rack

Scarf Rack



Install in LH, on wall or outside of vertical panel

HEIGHT: 50" (or length of scarves) + 2"

Belt Rack



Install in LH, on wall or outside of vertical panel

HEIGHT: 50" (or length of belt) + 2"

42" for children

Valet Pole



HEIGHT: 70" from floor unless otherwise specified

60" from floor for a child's closet

Installation Instructions

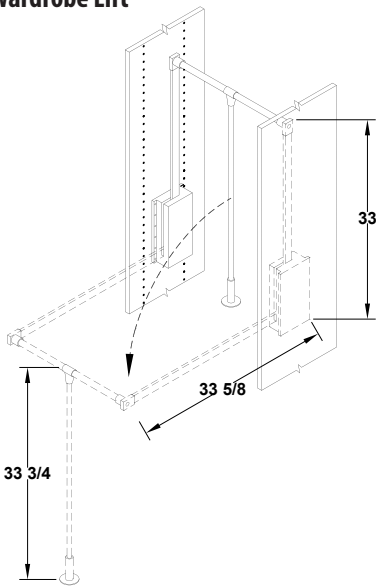
Step 21: Accessories *continued*

Pants Pull-out Rack



- It is recommended to skip one hole below a shelf and then install.
- Pull out rack housing system off of the glide.
- Install glide onto vertical panel with two 10mm Euro screws (each glide) in system holes just under a fixed shelf.
- Place rack housing over glides and slide into place.

Wardrobe Lift



Install both mounting boxes in the same location on adjacent vertical panels. This will prevent the lift from racking or binding, and will allow the lift to perform correctly.

Adjustable wardrobe rail needs to be locked. Once the housings are mounted to the vertical panels and adjustable wardrobe rail is extended to the proper width, twist the outer sleeves of the adjustable wardrobe rail in opposite directions to lock in the width. Over or under extending the width of the wardrobe rail may create binding with vertical arms.

NOTE — Minimum clearance of 36" from center of the top bar to the top of the shelf below is needed to keep shirts from dragging or catching when opening and closing the lift.

Bumpers are pre-installed on the housings; do not remove bumpers from housing. The removal of one or both bumpers may cause damage to the housing during use.

Cycle the lift. Once installed, cycle the unit 3-5 times to loosen the pistons to allow for smooth operation.

Handle pole needs to be located in the center of the wardrobe rail and pulled straight down and not at an angle. This will avoid binding and ensure proper operation of the lift. Pre-installed O-rings keep the T-bracket in position.

When lowering the lift, assist the handle pole until the vertical arms rest on the housing bumpers. Allowing the lift to drop on its own may cause damage to the housing. Also, loading the lift with more weight than recommended will cause damage to the lift. Distribute weight of clothes evenly across wardrobe rail to avoid racking.

Installation Instructions

Step 21: Accessories *continued*

Pull & Swivel Mirror



Requires only 3" of horizontal space for storage and at least a 14" deep space. Pulls out on full-extension, soft-close slides and swivels 90 degrees. Framed mirror is 13-1/2" wide by 48" tall x 3/4" thick.



The unit is 48" tall, so a minimum clearance height of 50" is required. Minimum clearance of 3" wide horizontal space is needed for storage in the closed position. Typical mounting location for top screw of swivel bracket is approx. 56" off the floor.

Pull & Swivel Ironing Board



Requires 36" from top of ironing board to the floor in the open position. 57" clearance needed from top to bottom when in the closed/folded storage position. Minimum clearance of 5 1/2" wide horizontal space needed for storage in the closed/stored position.

Mount top screw of swivel bracket at 37" off of the floor.

Installation Instructions

Step 22: Moulding & Trim (if required in design)

If your design includes any moulding or trim, be sure to “climatize” your decorative wood pieces prior to installation by keeping them in the installation room environment for at least 48 hours. Wood absorbs moisture that can result in the moulding shrinking after installation and leaving gaps, and allowing the wood to adapt to the environment will help prevent this problem.

Step 23: Decorative Hardware (if required in design)

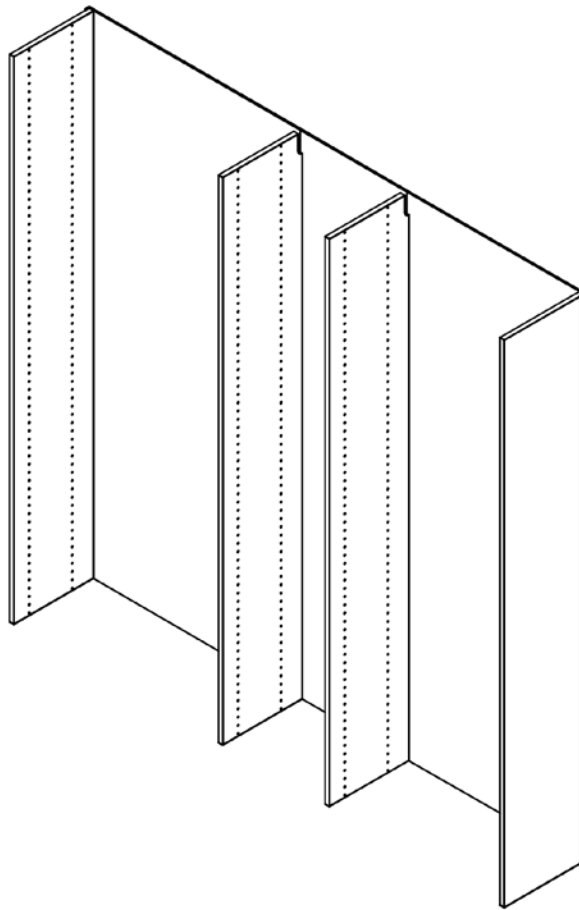
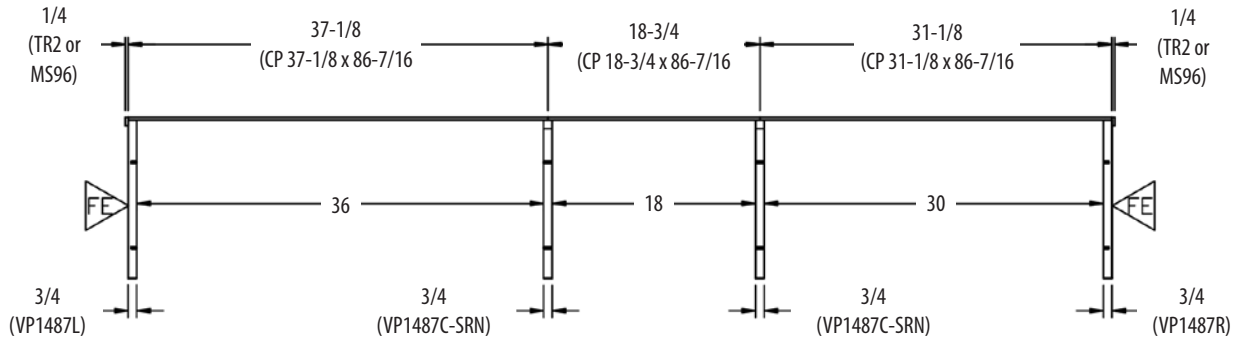
If your design includes drawers or doors, you’ll want to install decorative hardware. All you’ll need is a drill, measuring tape, pencil and screwdriver.



You can make a wood fixture (pictured) to assist with locating the hardware in the same place on every door or drawer. Refer to Closet Pull Layout at end of these instructions for recommended hardware placement.

Installation Instructions

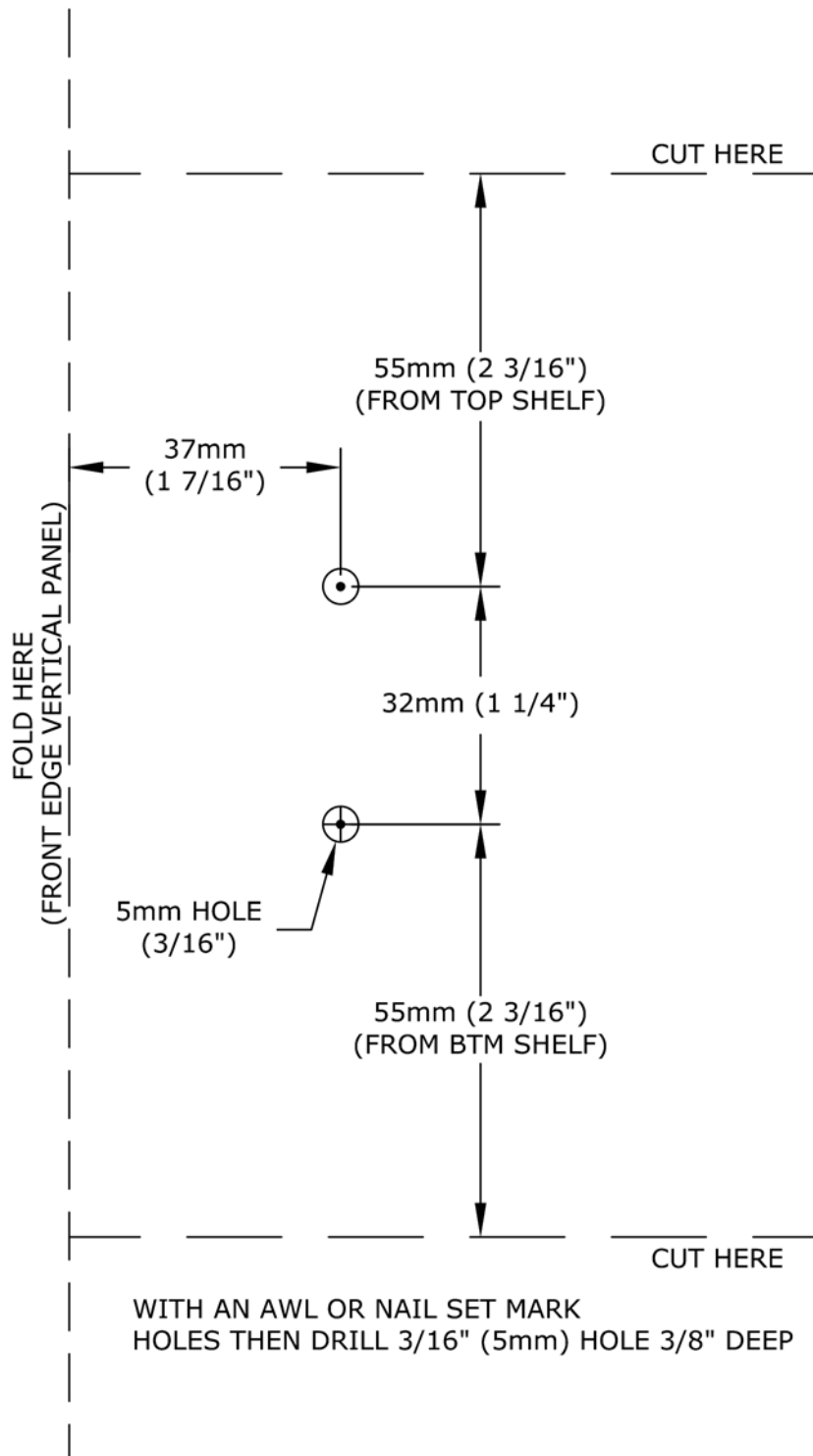
1/4" Back Panel Installation with Exposed Ends



<< Intentionally Blank >>

Installation Instructions

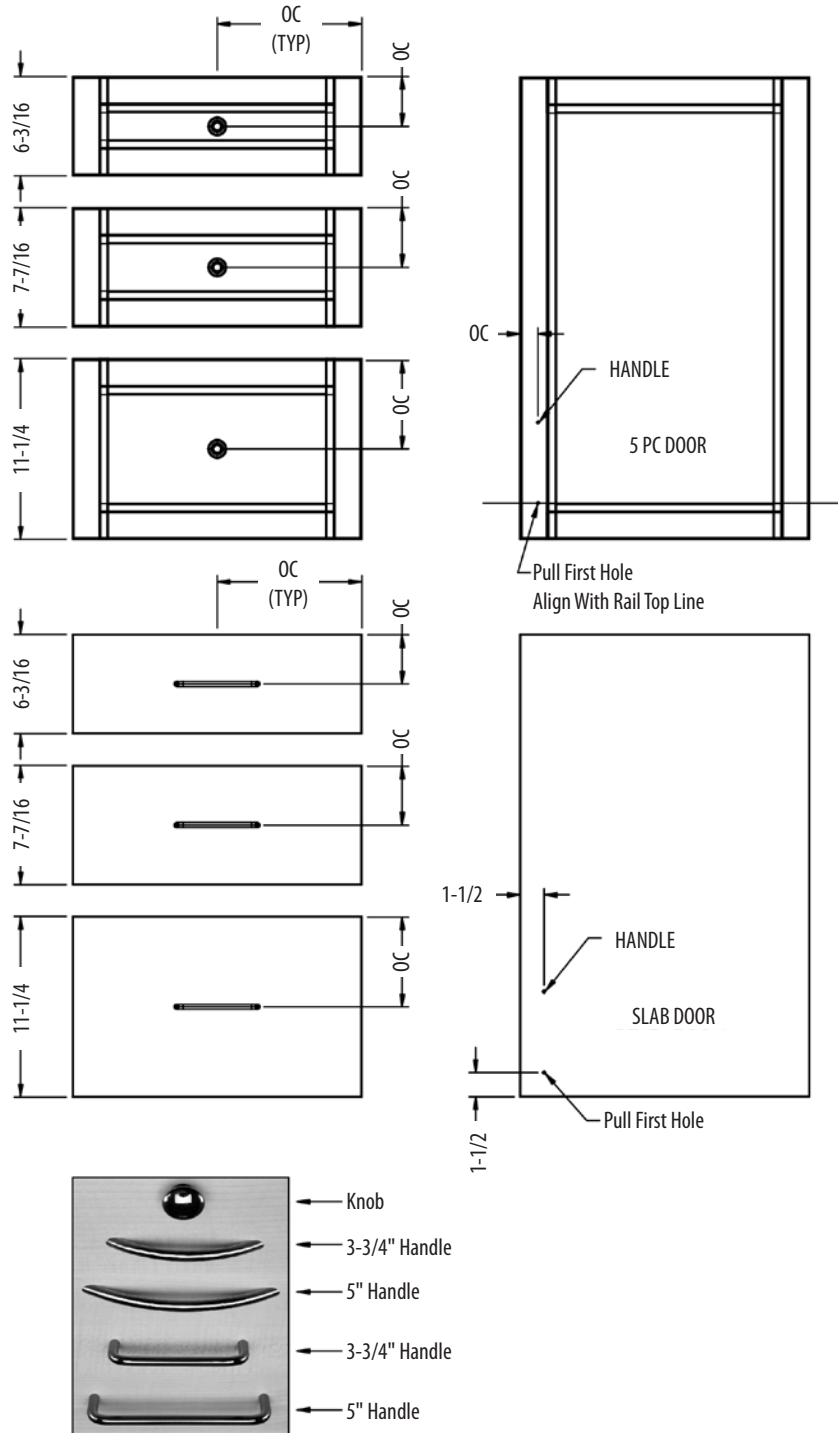
Door Mounting Plate Drilling Jig for Vertical Panel: ACTUAL SIZE



<< Intentionally Blank >>

Installation Instructions

Hardware Pull Layout



<< Intentionally Blank >>



Info & Prep for Closet Installation

Being prepared for installation day through careful planning will help to ensure that your new closet system from Canyon Creek Cabinet Company is ready to use right after installation.

Customer responsibilities before installation day

1. Carefully review the design and signed contract. If there are any changes needed, contact your salesperson/designer immediately. Please note that our installers construct each system as specified by the design coinciding with your signed contract agreement.
2. Reserve and clear out a work area in the garage for the installation crew to cut, store and prep parts.
3. If necessary, make reservations to ensure that an elevator is available for installer's use.
4. Remove all previous closet materials, (shelving, poles, hangers, clothing, etc.) Take out all existing base moulding (when applicable) from the closet. (You will have to remove crown moulding if it is located within the area where the new closet system will be installed.)

The contractor or homeowner will be charged \$125/hour, per installer, if there is any labor required to remove any materials to begin the closet installation.

5. Paint the room before installation if you plan on doing so. Please remember to keep extra paint for touch-ups if needed after installation.
6. Remove all pictures and wall hangings from adjoining walls as they can be shaken loose during installation.

Customer responsibilities during installation day

1. Please have someone onsite who can make decisions in case the installation crew have questions.
2. Because it is difficult to estimate the length and circumstances of each job, you will be given a four-hour appointment window. On the day of installation, we will keep you updated on the installation crew's schedule.
3. The installation crew will use a variety of tools and techniques that can make the work area (garage space and closet area) hazardous. Please make sure family members and pets are kept out of the work area on installation day.
4. At the completion of the installation, we recommend that you "walk-thru" the project with the installer. This will give you the opportunity to ask questions and be clear on any final details.
5. If there are any deficiencies in product or workmanship, please make note on the Closet Installation Completion form provided by the installer. You have our guarantee that the issue will be resolved to your satisfaction.

I understand and agree to the instructions listed above.

Customer Signature

Date

Printed Customer Name

Canyon Creek Sales Rep

<< Intentionally Blank >>

CLOSETS PLUS

16726 Tye Street SE • Monroe, WA, 98272
www.canyoncreek.com

PO

Sidemark

Account #

Date

Account Name

Ship To

Ordered By

Address

PH

FX

EM

City

ST

Zip

Map
Grid

CC Truck
Stock To

Job Site
Phone

Requested
Ship Date

Ship
Via

Freight
Billing

Directions/Notes:

Panel/Shelf Material:

Drawer Front Style:

Panel/Shelf Color:

Drawer Guide:

Door Style:

Mld/Trim Species:

Door Sub-Style:

Mld/Trim Color:

Door Species:

Hardware Finish:

OFFICE USE ONLY:

PNL

DOORS

DRAWER BOXES

ACCESSORIES

Line	Qty.	Item	MSRP	Net Ext.
1				
2				
3				
4				
5				
6				
7				
8				
9				
10				
11				
12				
13				

Warranty Request (Specify reason in notes section above)

Original Order Number _____

Approved by _____

MSRP Total

Sales Tax

On factor

Shipping

TOTAL



CLOSETS PLUS ORDER FORM

CLOSETS PLUS

PO _____ Sidemark _____ Page _____ of _____

Account # _____ Account Name _____ Date _____

Line	Qty.	Item	MSRP	Net Ext.
15				
16				
17				
18				
19				
20				
21				
22				
23				
24				
25				
26				
27				
28				
29				
30				
31				
32				
33				
34				
35				
36				
37				
38				
39				
40				
41				
42				
43				
44				
45				
46				



CLOSETS PLUS ORDER FORM

CLOSETS PLUS

PO _____ Sidemark _____ Page _____ of _____

Account # _____ Account Name _____ Date _____

Line	Qty.	Item	MSRP	Net Ext.
47				
48				
49				
50				
51				
52				
53				
54				
55				
56				
57				
58				
59				
60				
61				
62				
63				
64				
65				
66				
67				
68				
69				
70				
71				
72				
73				
74				
75				
76				
77				
78				

<< Intentionally Blank >>

Limited Lifetime Warranty

Canyon Creek Closets Plus

Canyon Creek Cabinet Company warrants to the original purchaser that Canyon Creek Closets Plus closet components will be free from defects in material or workmanship that arise under normal use and service for as long as you own the product.

This limited warranty goes into effect from the date of shipment and does not cover freight damage, accident, acts of God, misuse, negligence, alteration, abuse, improper storage, installation or removal. Nor does it apply in the case of normal wear and tear. It does not cover features and conditions that are inherent in the wood species, the style, the finish, or finish attributes. This warranty does not apply to unfinished product. The warranty does not cover damage from exposure to extremes in temperature or humidity or the natural effects caused by aging of wood products and finishes due to the natural reaction of wood and finishes to UV light, the natural variation in grain or color of wood, or any visible cracking around joint areas. In addition, closet hardware and accessories have warranties provided by their respective manufacturers.

If a product is found to be defective under conditions of normal use and service within the limited lifetime warranty period, Canyon Creek Cabinet Company, at its sole discretion and following thorough reviews and inspections of the product, will either repair or replace the defective product. This is a parts warranty only and excludes labor for removal or replacement of defective parts. Due to the natural changes of wood products caused by aging and/or product specification changes, any replacement product may not be an exact match. Canyon Creek's liability under this warranty is expressly limited to replacement or repair of the product, and in no event shall Canyon Creek be liable in any way for consequential or incidental damages of any kind.

While this Canyon Creek warranty covers closet installation when the installation has been contracted through Canyon Creek Cabinet Company, Canyon Creek shall not be liable for any damage or errors resulting from or related to the incorrect installation or use of its products when the closet installation has been performed by an outside party, independent of Canyon Creek Cabinet Company. This warranty is offered only to the original purchaser of the closet components at the original site of installation and is not transferable. This warranty applies only to closets or related products purchased through an authorized Canyon Creek dealer or contractor.

To file a warranty claim request, the original purchaser should contact the authorized Canyon Creek dealer or contractor where the product was purchased. Proof of original purchase is required. The authorized dealer or contractor will obtain the necessary information to complete a warranty request and forward the request in writing to Canyon Creek.

We reserve the right to make changes in materials and specifications for Canyon Creek Closets Plus without prior notification but we have no obligation to incorporate such changes in products that were previously manufactured.

This warranty is in lieu of all other warranties, express or implied, including warranties of merchantability and of fitness for a particular purpose, and we do not authorize any other person or company to assume on our behalf, any other liability in connection with the sale of our products. No representative of Canyon Creek has the authority to change or enlarge this warranty. This warranty is only valid in the United States and Canada. The terms of this warranty may vary from state to state and province to province.

CANYON CREEK
Cabinet Company
CLOSETS PLUS

<< Intentionally Blank >>