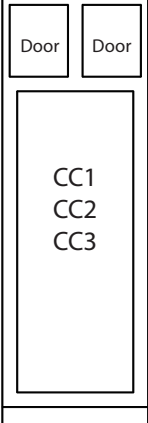
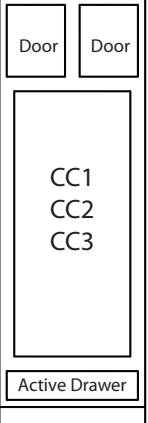
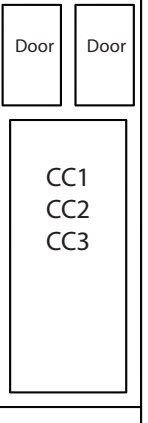
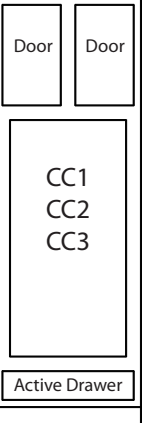
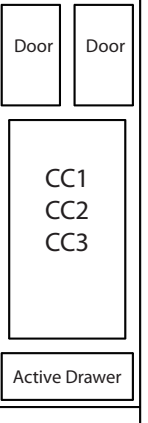
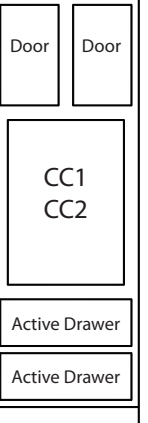
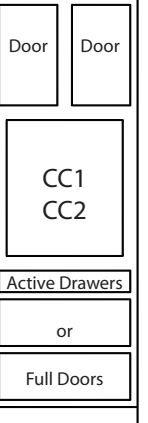


**CORNERSTONE
CUSTOM OVEN CUTOUT FORM - TALL**

PO _____ Sidemark _____ Date _____

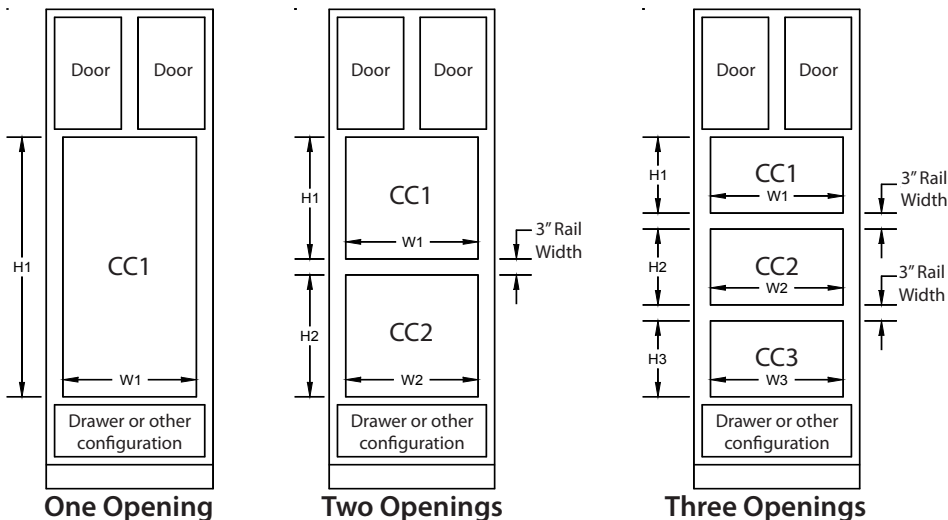
Account # _____ Customer Name _____

 <p>UOV-NDS Cutout Min 51" Height Max 66"</p>	 <p>UOV-1SS Cutout Min 43-1/2" Height Max 58-1/2"</p>	 <p>UOV-ND Cutout Min 45" Height Max 60"</p>	 <p>UOV-1S Cutout Min 37-1/2" Height Max 52-1/2"</p>	 <p>UOV-1D Cutout Min 33-3/4" Height Max 48-3/4"</p>	 <p>UOV-2 Cutout Min 22-1/2" Height Max 37-1/2"</p>	 <p>UOV-3 & FB Cutout Min 16-1/2" Height Max 31-1/2"</p>
---	---	--	--	---	---	--

Custom Cutout Notes

- Cutouts are centered vertically and horizontally.
- Min. cutout width: 9" less than cabinet width.
- Max. cutout width: 3" less than cabinet width.
- Sum of all opening heights (H1, H2, H3) and 3" mid-rails must not exceed the maximum cutout height listed.
- Max. cutout allows 1" vertical clearance between doors or drawers and custom cutout.
- Side stiles, top and bottom rails: 1-1/2" at max. cutout size.

Cabinet Nomenclature



Custom Cutout Dimensions

	CC1
Opening Width	W1
Opening Height	H1
	CC2
Opening Width	W1
Opening Height	H1
	CC3
Opening Width	W1
Opening Height	H1

- Completed form must accompany all orders with custom oven cutout(s).
- Customer is responsible for interpreting appliance manufacturer specifications and listing all required dimensions.
- Cutout size(s) must fall within maximum and minimum dimensions on chart above.
- A Special Product Request (SPR) must be submitted for cabinets or modifications that are not standard.